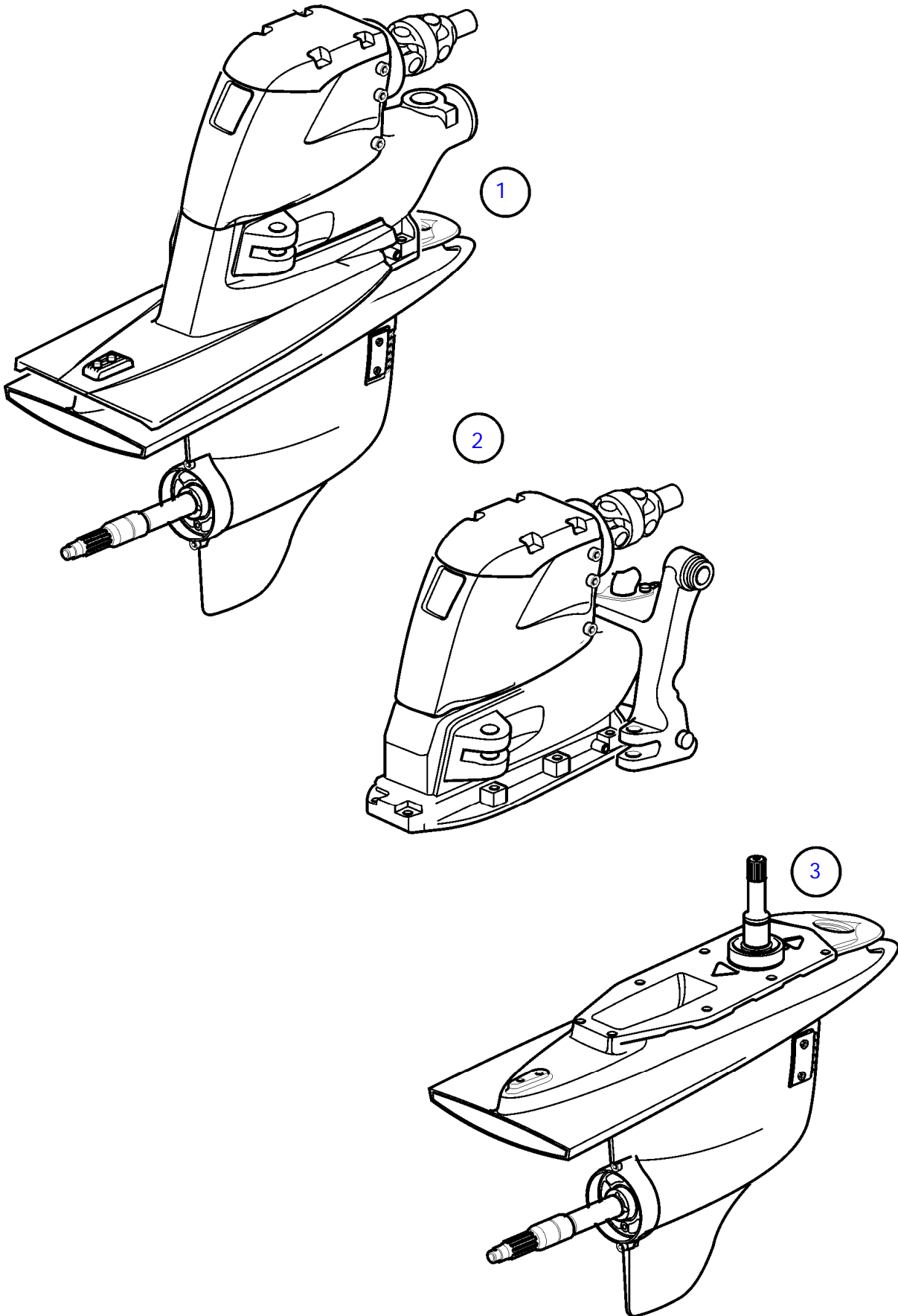


DPH-A, DPH-B

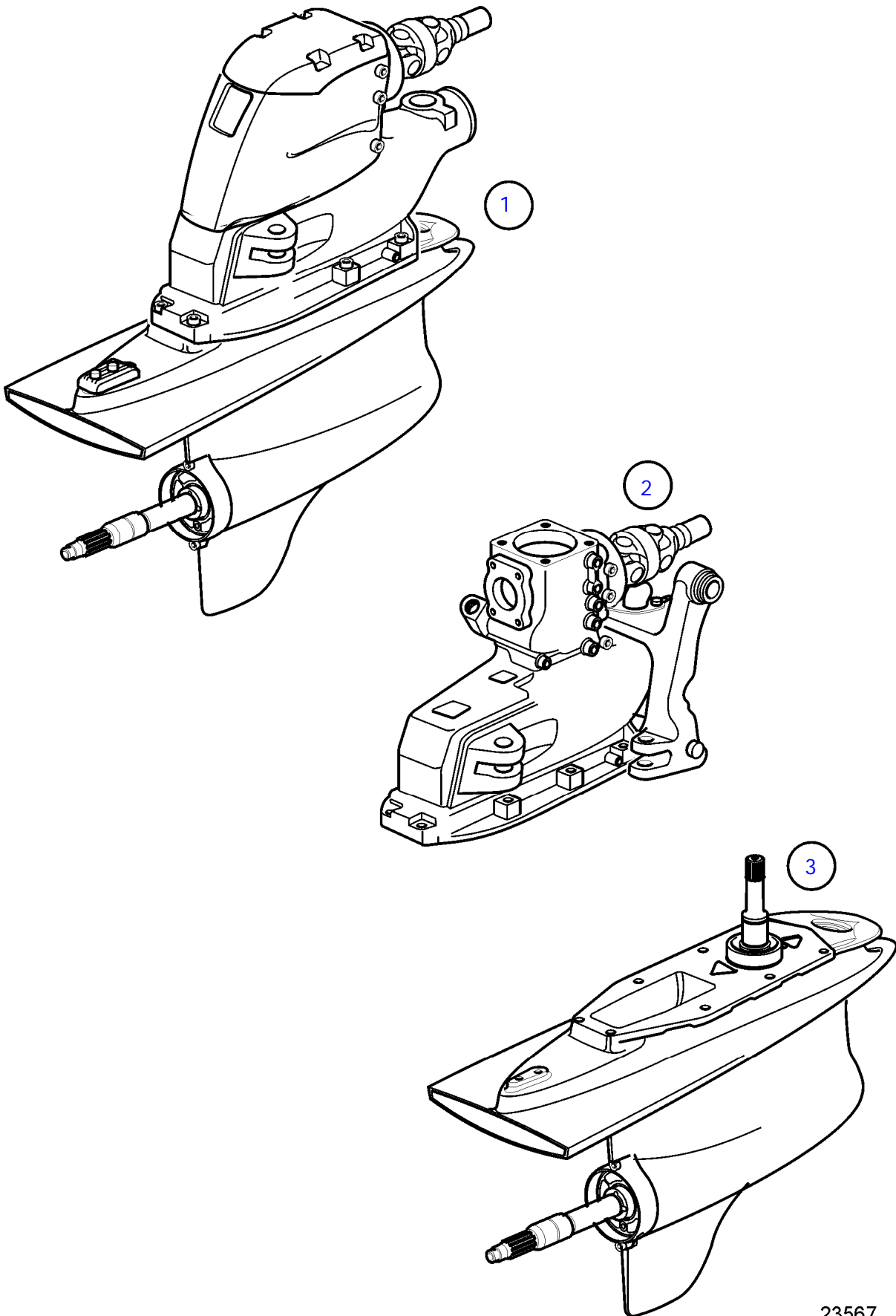


23566

DPH-A, DPH-B

REF	PART NO.	QTY	DESCRIPTION	NOTES
1	3888874	1	Aquamatic drive, complete	Ratio 1.63:1
	3801226	1	Aquamatic drive, exc, complete, exch	Ratio 1.63:1
	3862822	1	Aquamatic drive, complete	Ratio 1.69:1
	3801120	1	Aquamatic drive, exc, complete, exch	Ratio 1.69:1
	3862823	1	Aquamatic drive, complete	Ratio 1.76:1
	3801121	1	Aquamatic drive, exc, complete, exch	Ratio 1.76:1
	3862824	1	Aquamatic drive, complete	Ratio 1.85:1
	3801122	1	Aquamatic drive, exc, complete, exch	Ratio 1.85:1
	3819739	1	Aquamatic drive, complete	Ratio 1.96:1
	3801160	1	Aquamatic drive, exc, complete, exch	Ratio 1.96:1
	3862825	1	Aquamatic drive, complete	Ratio 2.08:1
	3801123	1	Aquamatic drive, exc, complete, exch	Ratio 2.08:1
2	3862816	1	• Upper gear, complete	
	3801125	1	• Upper gear, exch, complete, exch	
3	3888875	1	• Lower gear, complete	Ratio 1.63:1
	3801227	1	• Lower gear, exch, complete, exch	Ratio 1.63:1
	3862814	1	• Lower gear, complete	Ratio 1.69:1
	3801127	1	• Lower gear, exch, complete, exch	Ratio 1.69:1
	3862815	1	• Lower gear, complete	Ratio 1.76:1
	3801128	1	• Lower gear, exch, complete, exch	Ratio 1.76:1
	3862818	1	• Lower gear, complete	Ratio 1.85:1
	3801129	1	• Lower gear, exch, complete, exch	Ratio 1.85:1
	3840457	1	• Lower gear, complete	Ratio 1.96:1
	3801171	1	• Lower gear, exch, complete, exch	Ratio 1.96:1
	3862819	1	• Lower gear, complete	Ratio 2.08:1
	3801130	1	• Lower gear, exch, complete, exch	Ratio 2.08:1

DPR-A, DPR-B

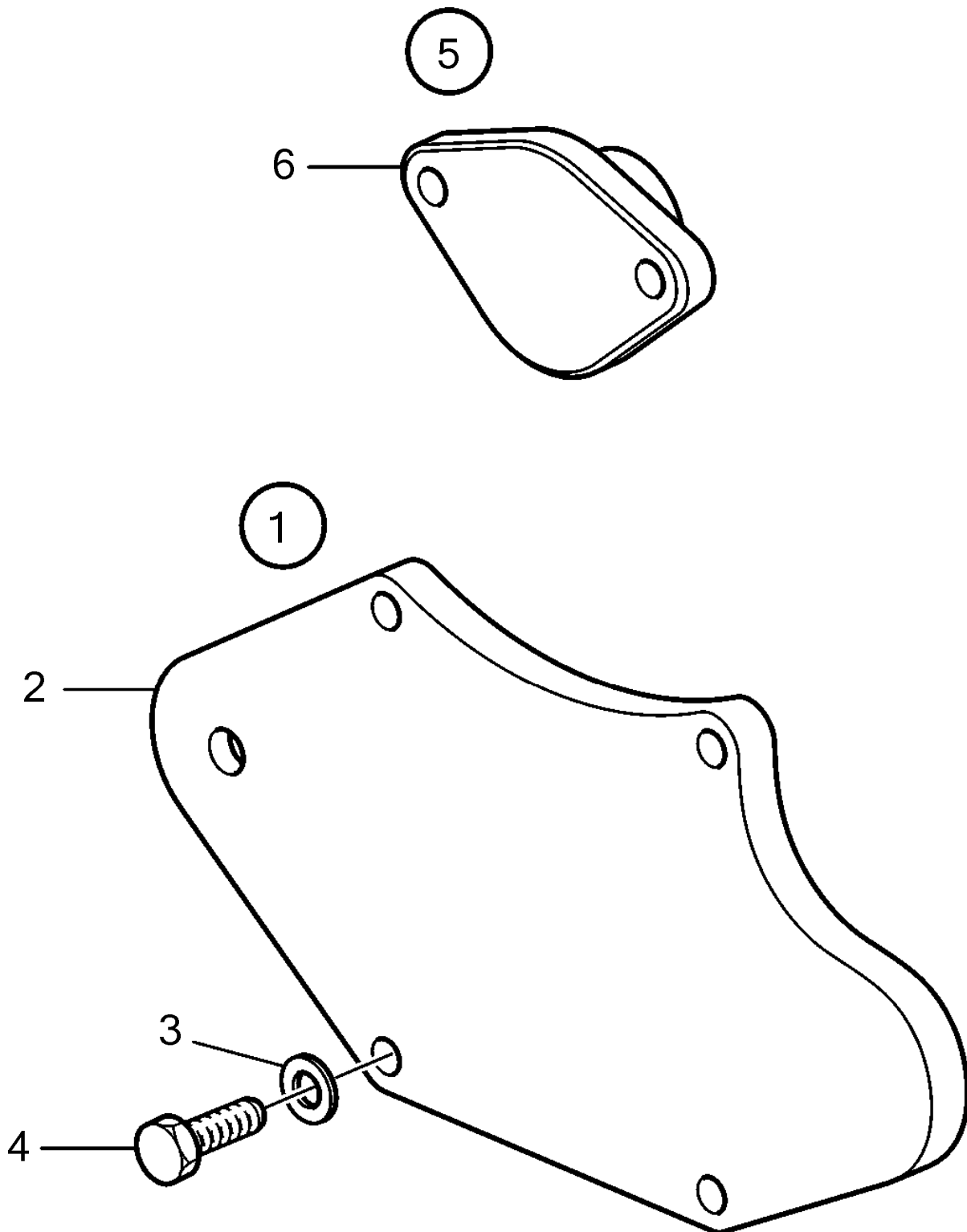


23567

DPR-A, DPR-B

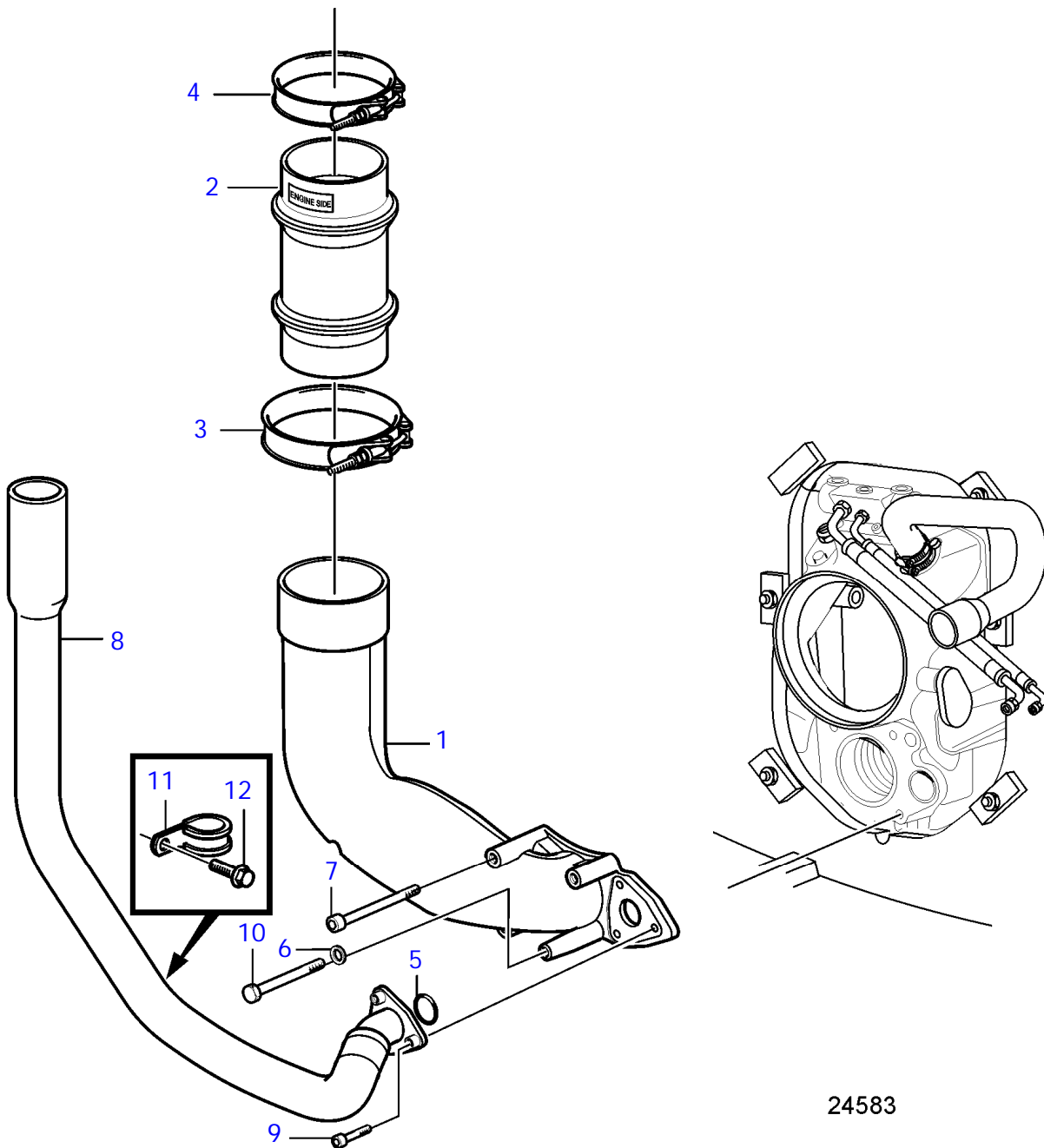
REF	PART NO.	QTY	DESCRIPTION	NOTES
1	3819740	X	Aquamatic drive	Ratio 1.36, Replaced by 21550236
	3801206	X	Aquamatic drive, exc, exc	Ratio 1.36, Replaced by 21550236
	21550236	X	Aquamatic drive	Ratio 1.36
	3862827	X	Aquamatic drive	Ratio 1.46, Replaced by 21550237
	3801124	X	Aquamatic drive, exc, exc	Ratio 1.46, Replaced by 21550237
	21550237	X	Aquamatic drive	Ratio 1.46
2	3862817	1	• Upper gear	
	3801126	1	• Upper gear, exc, exc	
3	3843006	1	• Lower gear	Ratio 1.36, Replaced by 21550239
	3801207	1	• Lower gear, exc, exc	Ratio 1.36, Replaced by 21550239
	21550239	1	• Lower gear	Ratio 1.36
	3862821	1	• Lower gear	Ratio 1.46, Replaced by 21550240
	3801131	1	• Lower gear, exc, exc	Ratio 1.46, Replaced by 21550240
	21550240	1	• Lower gear	Ratio 1.46

DPH-A, DPH-B, DPR-A, DPR-B



20314

DPH-A, DPH-B, DPR-A, DPR-B

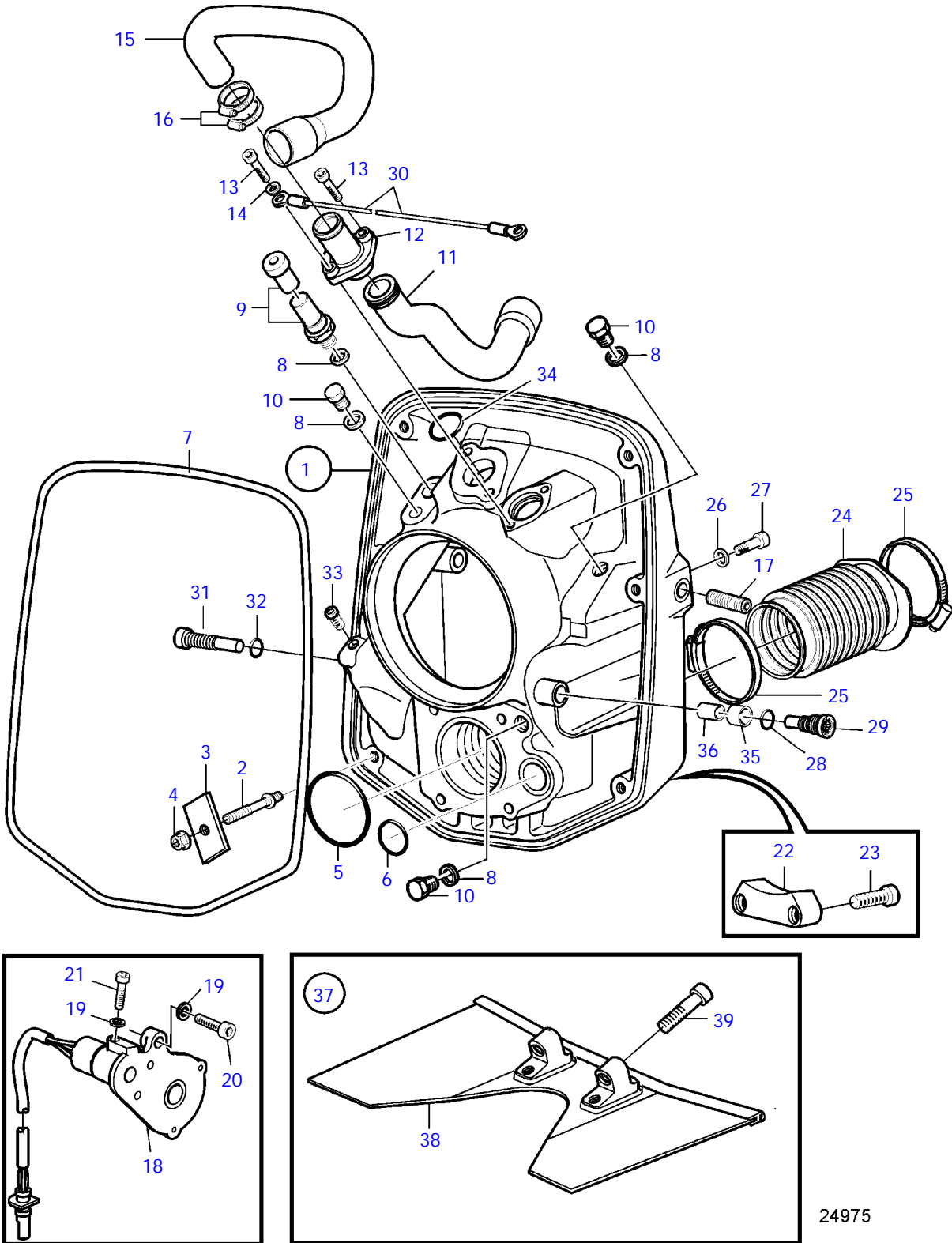


24583

DPH-A, DPH-B, DPR-A, DPR-B

REF	PART NO.	QTY	DESCRIPTION	NOTES
1	40005584	1	Exhaust pipe	
2	3584167	1	Exhaust hose	For D4 engines.
	3584168	1	Exhaust hose	For D6 engines.
3	3817484	1	Hose clamp	For exhaust pipe without plastic sleeve.
	3817485	1	Hose clamp	For exhaust pipe with plastic sleeve.
4	3817484	1	Hose clamp	For D4 engines.
	3817486	1	Hose clamp	For D6 engines.
5	969415	1	O-ring	
6	984391	4	Washer	
7	984367	2	Hexagon screw	L=70mm
8	3587184	1	Hose assembly	
9	984257	3	6 point socket screw	L=25mm
10	984700	2	Hexagon screw	L=90mm
11	984474	1	Clamp	
12	948746	1	Flange screw	

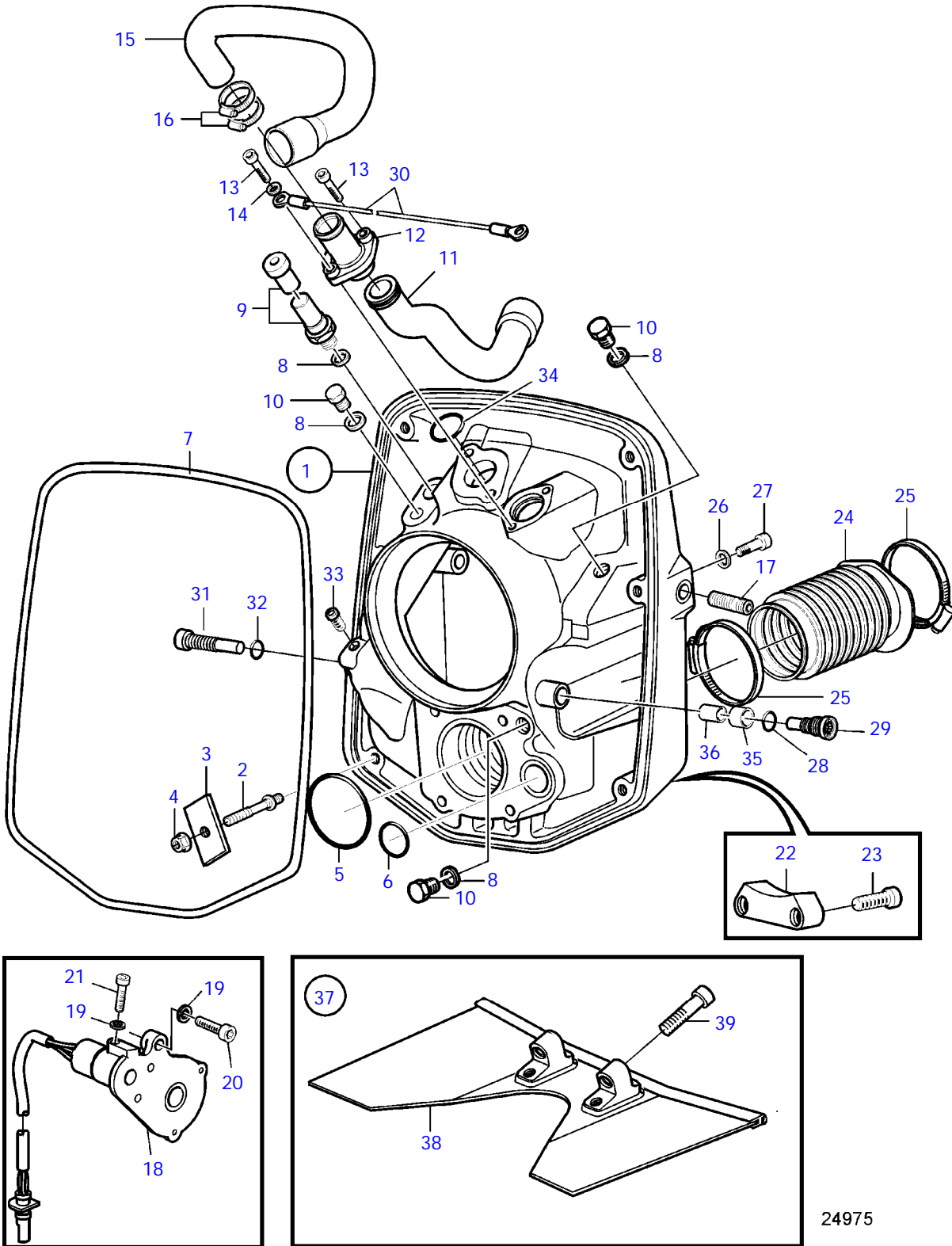
DPH-A, DPR-A



DPH-A, DPR-A

REF	PART NO.	QTY	DESCRIPTION	SEE SEC.	NOTES
1	3809881	1	Shield		
2	873316	6	• Stud		
3	852866	6	• Washer		
4	963108	6	• Lock nut		
5	925259	1	• O-ring		
6	925068	1	• O-ring		
7	3862353	1	• Sealing		
8	3852537	4	O-ring		
9	3856800	2	Hose		
10	984053	2	Plug		
11	3588767	1	Kit		
12	3863303	1	Pipe		
13	946541	2	Hex. socket screw		
14	941670	1	Washer		
15	3808170	1	Hose		(3863345)
16	961670	2	Hose clamp		
17	3862810	2	Spindle		
18	3809335	1	Service kit, trim		
19	940275	2	Washer		
20	963675	1	Hex. socket screw		
21	3587308	1	Set screw		
22	3588745	1	Anode kit, zinc anode		
	3588768	1	Anode kit, magnesium anode		
	3588770	1	Anode kit, aluminum anode		
23	984257	2	6 point socket screw		
24	3588753	1	Exhaust bellows		
25	853012	2	• Hose clamp		
26	941670	2	Washer		
27	984258	2	6 point socket screw		
28	975664	1	O-ring		
29	3862683	1	Pivot pin		
30	3863269	1	Ground cable		
31	3862809	1	Pivot pin		
32	976107	1	O-ring		
33	984390	1	Set screw		
34	925092	1	O-ring		
35	3863092	1	Bushing		
36	3863093	1	Bushing		
37	21119437	1	Plate		Dead rise angle 15-17 degrees and x measurement 348mm
			• Bulletin P-44-1-17	P-44-1-17-EN	New Anti-spray Plates for DPH Twin installations
37	21119438	1	Plate		Dead rise angle 18-20 degrees and x measurement 348mm
			• Bulletin P-44-1-17	P-44-1-17-EN	New Anti-spray Plates for DPH Twin installations
37	21119439	1	Plate		Dead rise angle 21-23 degrees and x measurement 348mm
			• Bulletin P-44-1-17	P-44-1-17-EN	New Anti-spray Plates for DPH Twin installations
37	21119440	1	Plate		Dead rise angle 16,5 degrees and x measurement 364mm
			• Bulletin P-44-1-17	P-44-1-17-EN	New Anti-spray Plates for DPH Twin installations
38	21119437	1	• Plate		
			• Bulletin P-44-1-17	P-44-1-17-EN	New Anti-spray Plates for DPH Twin installations
39	984258	2	• 6 point socket screw		

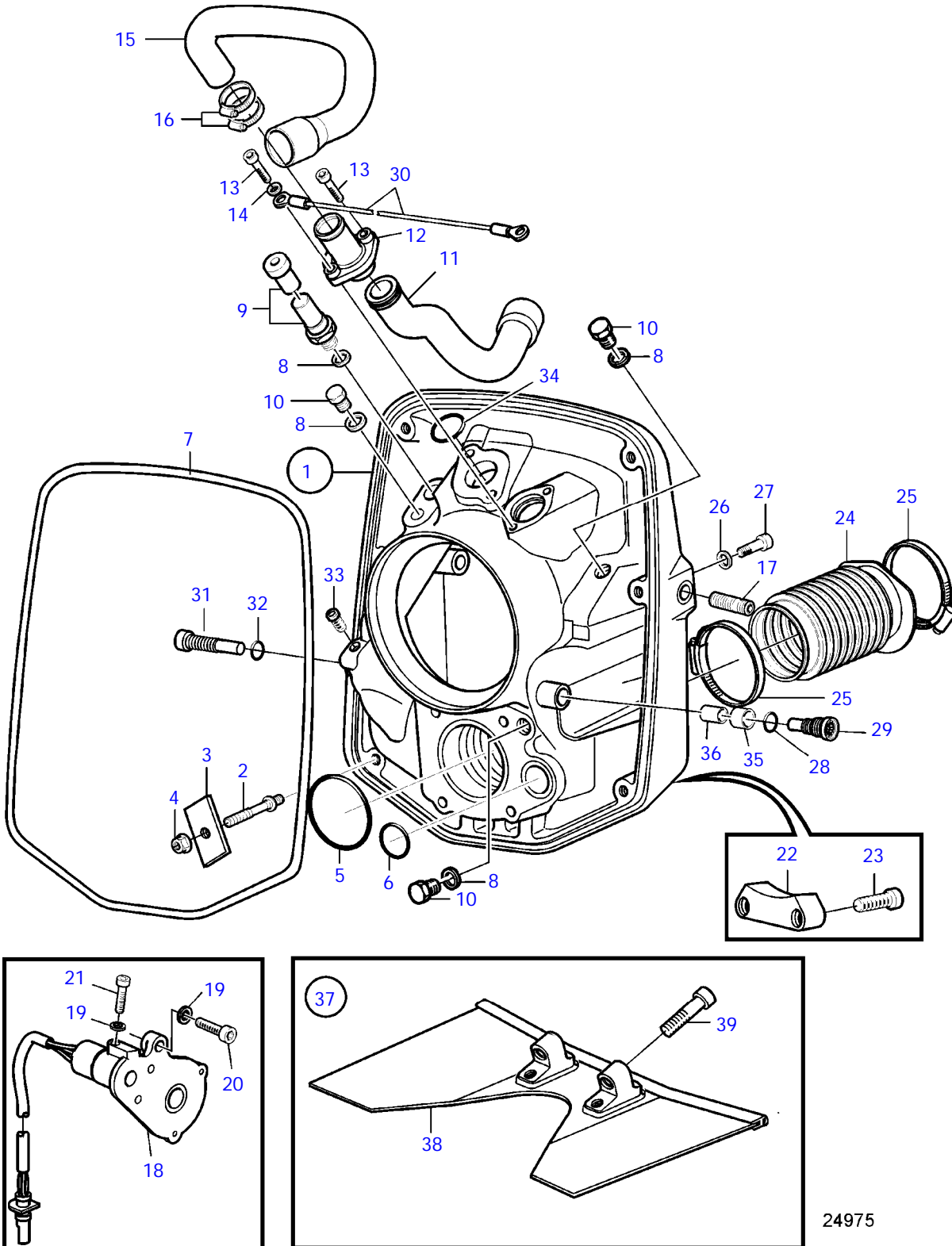
DPH-A, DPR-A



DPH-A, DPR-A

REF	PART NO.	QTY	DESCRIPTION	SEE SEC.	NOTES
1	3809881	1	Shield		
2	873316	6	• Stud		
3	852866	6	• Washer		
4	963108	6	• Lock nut		
5	925259	1	• O-ring		
6	925068	1	• O-ring		
7	3862353	1	• Sealing		
8	3852537	4	O-ring		
9	3856800	2	Hose		
10	984053	2	Plug		
11	3588767	1	Kit		
12	3863303	1	Pipe		
13	946541	2	Hex. socket screw		
14	941670	1	Washer		
15	3808170	1	Hose		(3863345)
16	961670	2	Hose clamp		
17	3862810	2	Spindle		
18	3809335	1	Service kit, trim		
19	940275	2	Washer		
20	963675	1	Hex. socket screw		
21	3587308	1	Set screw		
22	3588745	1	Anode kit, zinc anode		
	3588768	1	Anode kit, magnesium anode		
	3588770	1	Anode kit, aluminum anode		
23	984257	2	6 point socket screw		
24	3588753	1	Exhaust bellows		
25	853012	2	• Hose clamp		
26	941670	2	Washer		
27	984258	2	6 point socket screw		
28	975664	1	O-ring		
29	3862683	1	Pivot pin		
30	3863269	1	Ground cable		
31	3862809	1	Pivot pin		
32	976107	1	O-ring		
33	984390	1	Set screw		
34	925092	1	O-ring		
35	3863092	1	Bushing		
36	3863093	1	Bushing		
37	21119437	1	Plate		Dead rise angle 15-17 degrees and x measurement 348mm
			• Bulletin P-44-1-17	P-44-1-17-EN	New Anti-spray Plates for DPH Twin installations
37	21119438	1	Plate		Dead rise angle 18-20 degrees and x measurement 348mm
			• Bulletin P-44-1-17	P-44-1-17-EN	New Anti-spray Plates for DPH Twin installations
37	21119439	1	Plate		Dead rise angle 21-23 degrees and x measurement 348mm
			• Bulletin P-44-1-17	P-44-1-17-EN	New Anti-spray Plates for DPH Twin installations
37	21119440	1	Plate		Dead rise angle 16,5 degrees and x measurement 364mm
			• Bulletin P-44-1-17	P-44-1-17-EN	New Anti-spray Plates for DPH Twin installations
38	21119437	1	• Plate		
			• Bulletin P-44-1-17	P-44-1-17-EN	New Anti-spray Plates for DPH Twin installations
39	984258	2	• 6 point socket screw		

DPH-A, DPR-A

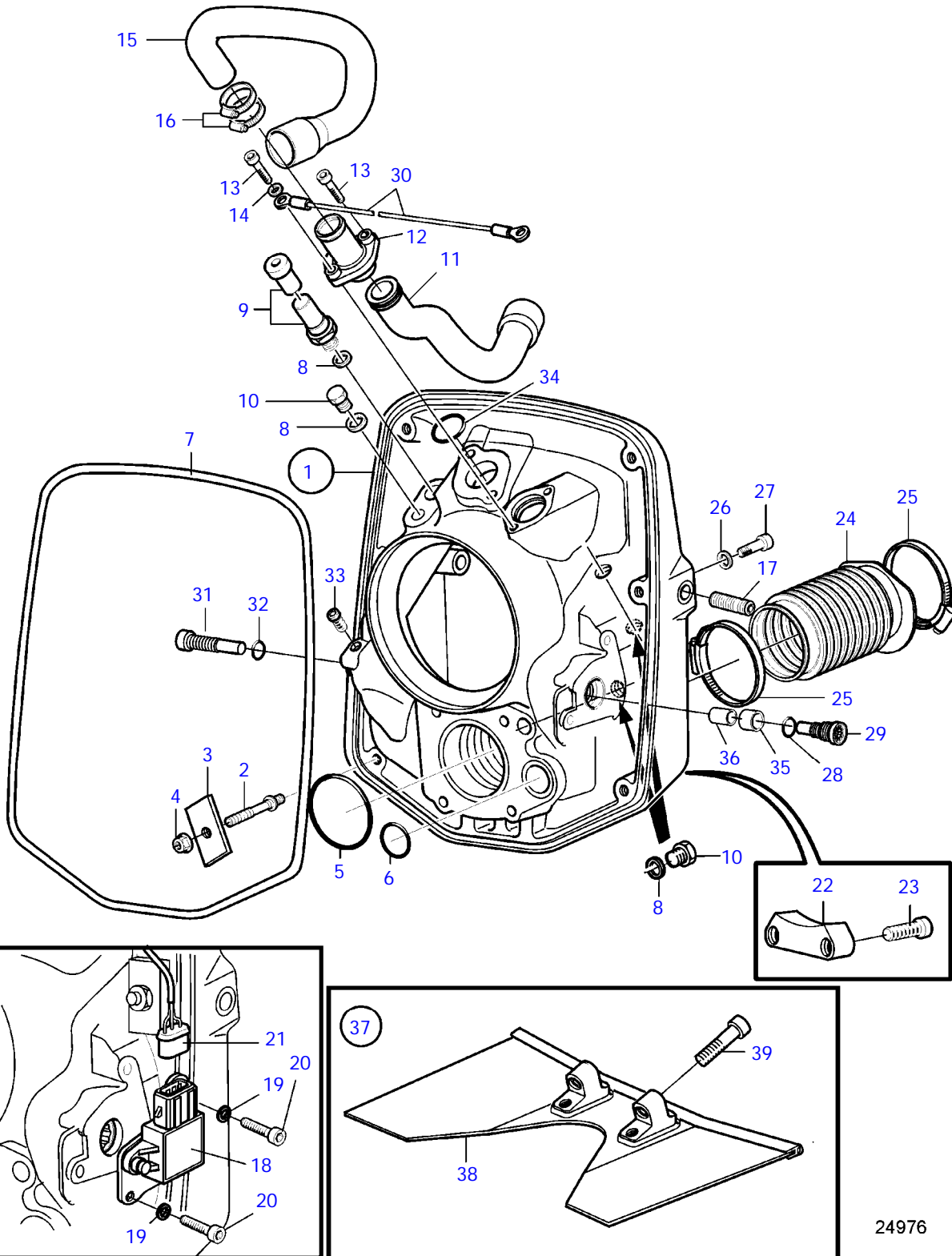


24975

DPH-A, DPR-A

REF	PART NO.	QTY	DESCRIPTION	SEE SEC.	NOTES
1	3809881	1	Shield		
2	873316	6	• Stud		
3	852866	6	• Washer		
4	963108	6	• Lock nut		
5	925259	1	• O-ring		
6	925068	1	• O-ring		
7	3862353	1	• Sealing		
8	3852537	4	O-ring		
9	3856800	1	Hose		
10	984053	3	Plug		
11	3588767	1	Kit		
12	3863303	1	Pipe		
13	946541	2	Hex. socket screw		
14	941670	1	Washer		
15	3808170	1	Hose		(3863345)
16	961670	2	Hose clamp		
17	3862810	2	Spindle		
18	3809335	1	Service kit, trim		
19	940275	2	Washer		
20	963675	1	Hex. socket screw		
21	3587308	1	Set screw		
22	3588745	1	Anode kit, zinc anode		
	3588768	1	Anode kit, magnesium anode		
	3588770	1	Anode kit, aluminum anode		
23	984257	2	6 point socket screw		
24	3588753	1	Exhaust bellows		
25	853012	2	• Hose clamp		
26	941670	2	Washer		
27	984258	2	6 point socket screw		
28	975664	1	O-ring		
29	3862683	1	Pivot pin		
30	3863269	1	Ground cable		
31	3862809	1	Pivot pin		
32	976107	1	O-ring		
33	984390	1	Set screw		
34	925092	1	O-ring		
35	3863092	1	Bushing		
36	3863093	1	Bushing		
37	21119437	1	Plate		Dead rise angle 15-17 degrees and x measurement 348mm
			• Bulletin P-44-1-17	P-44-1-17-EN	New Anti-spray Plates for DPH Twin installations
37	21119438	1	Plate		Dead rise angle 18-20 degrees and x measurement 348mm
			• Bulletin P-44-1-17	P-44-1-17-EN	New Anti-spray Plates for DPH Twin installations
37	21119439	1	Plate		Dead rise angle 21-23 degrees and x measurement 348mm
			• Bulletin P-44-1-17	P-44-1-17-EN	New Anti-spray Plates for DPH Twin installations
37	21119440	1	Plate		Dead rise angle 16,5 degrees and x measurement 364mm
			• Bulletin P-44-1-17	P-44-1-17-EN	New Anti-spray Plates for DPH Twin installations
38	21119437	1	• Plate		
			• Bulletin P-44-1-17	P-44-1-17-EN	New Anti-spray Plates for DPH Twin installations
39	984258	2	• 6 point socket screw		

DPH-B, DPR-B

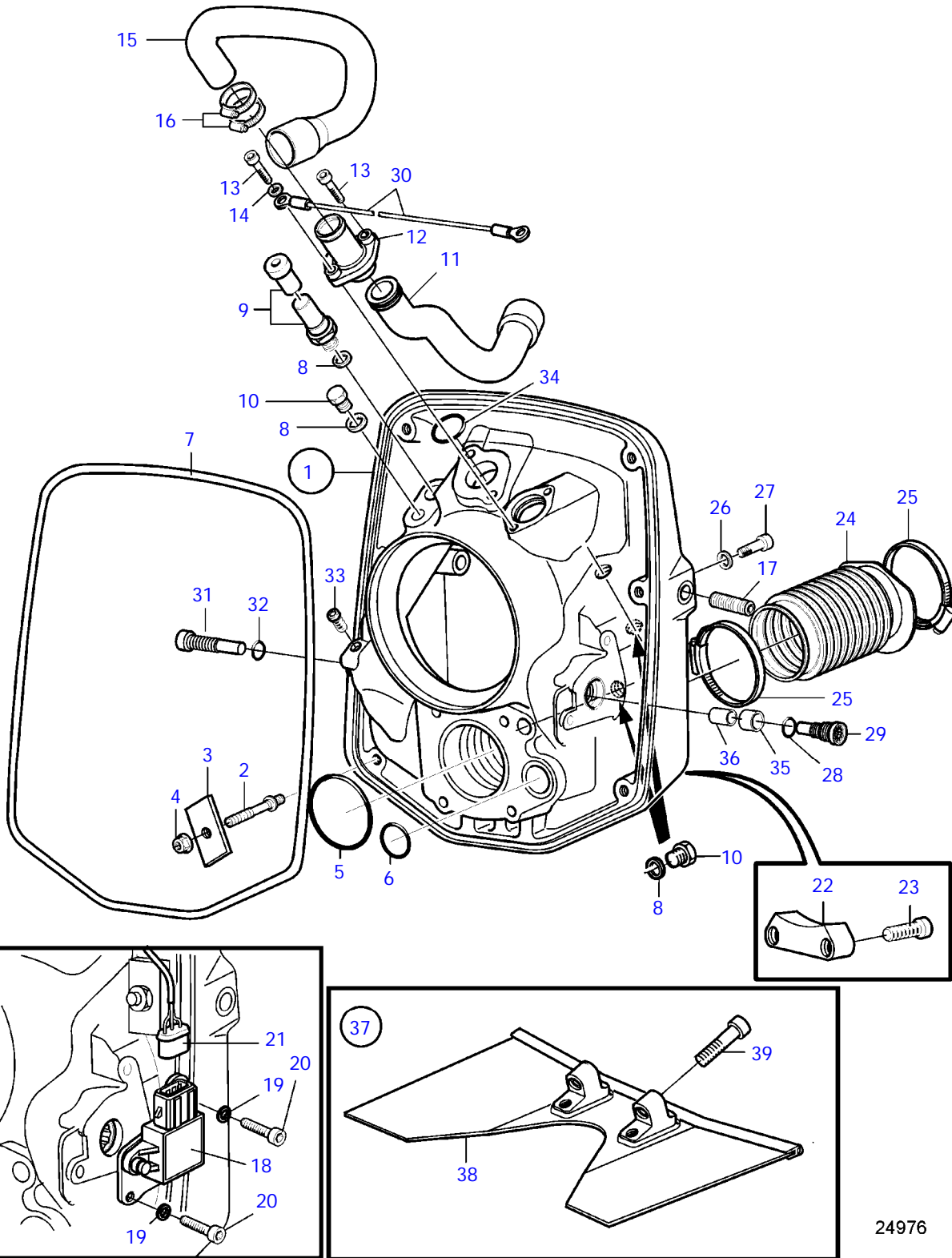


24976

DPH-B, DPR-B

REF	PART NO.	QTY	DESCRIPTION	SEE SEC.	NOTES
1	3809881	1	Shield		
2	873316	6	• Stud		
3	852866	6	• Washer		
4	963108	6	• Lock nut		
5	925259	1	• O-ring		
6	925068	1	• O-ring		
7	3862353	1	• Sealing		
8	3852537	4	O-ring		
9	3856800	2	Hose		
10	984053	2	Plug		
11	3588767	1	Kit		
12	3863303	1	Pipe		
13	946541	2	Hex. socket screw		
14	941670	1	Washer		
15	3808170	1	Hose		
16	961670	2	Hose clamp		
17	3862810	2	Spindle		
18	3818189	1	Service kit, trim		
19	940275	2	Washer		
20	963675	2	Hex. socket screw		
21	3809539	1	Wiring harness		
22	3588745	1	Anode kit, zinc anode		
	3588768	1	Anode kit, magnesium anode		
	3588770	1	Anode kit, aluminum anode		
23	984257	2	6 point socket screw		
24	3588753	1	Exhaust bellows		
25	853012	2	• Hose clamp		
26	941670	2	Washer		
27	984258	2	6 point socket screw		
28	975664	1	O-ring		
29	3809887	1	Pivot pin		
30	3863269	1	Ground cable		
31	3862809	1	Pivot pin		
32	976107	1	O-ring		
33	984390	1	Set screw		
34	925092	1	O-ring		
35	3863092	1	Bushing		
36	3863093	1	Bushing		
37	21119437	1	Plate		Dead rise angle 15-17 degrees and x measurement 348mm
			• Bulletin P-44-1-17	P-44-1-17-EN	New Anti-spray Plates for DPH Twin installations
37	21119438	1	Plate		Dead rise angle 18-20 degrees and x measurement 348mm
			• Bulletin P-44-1-17	P-44-1-17-EN	New Anti-spray Plates for DPH Twin installations
37	21119439	1	Plate		Dead rise angle 21-23 degrees and x measurement 348mm
			• Bulletin P-44-1-17	P-44-1-17-EN	New Anti-spray Plates for DPH Twin installations
37	21119440	1	Plate		Dead rise angle 16,5 degrees and x measurement 364mm
			• Bulletin P-44-1-17	P-44-1-17-EN	New Anti-spray Plates for DPH Twin installations
38	21119437	1	• Plate		
			• Bulletin P-44-1-17	P-44-1-17-EN	New Anti-spray Plates for DPH Twin installations
39	984258	2	• 6 point socket screw		

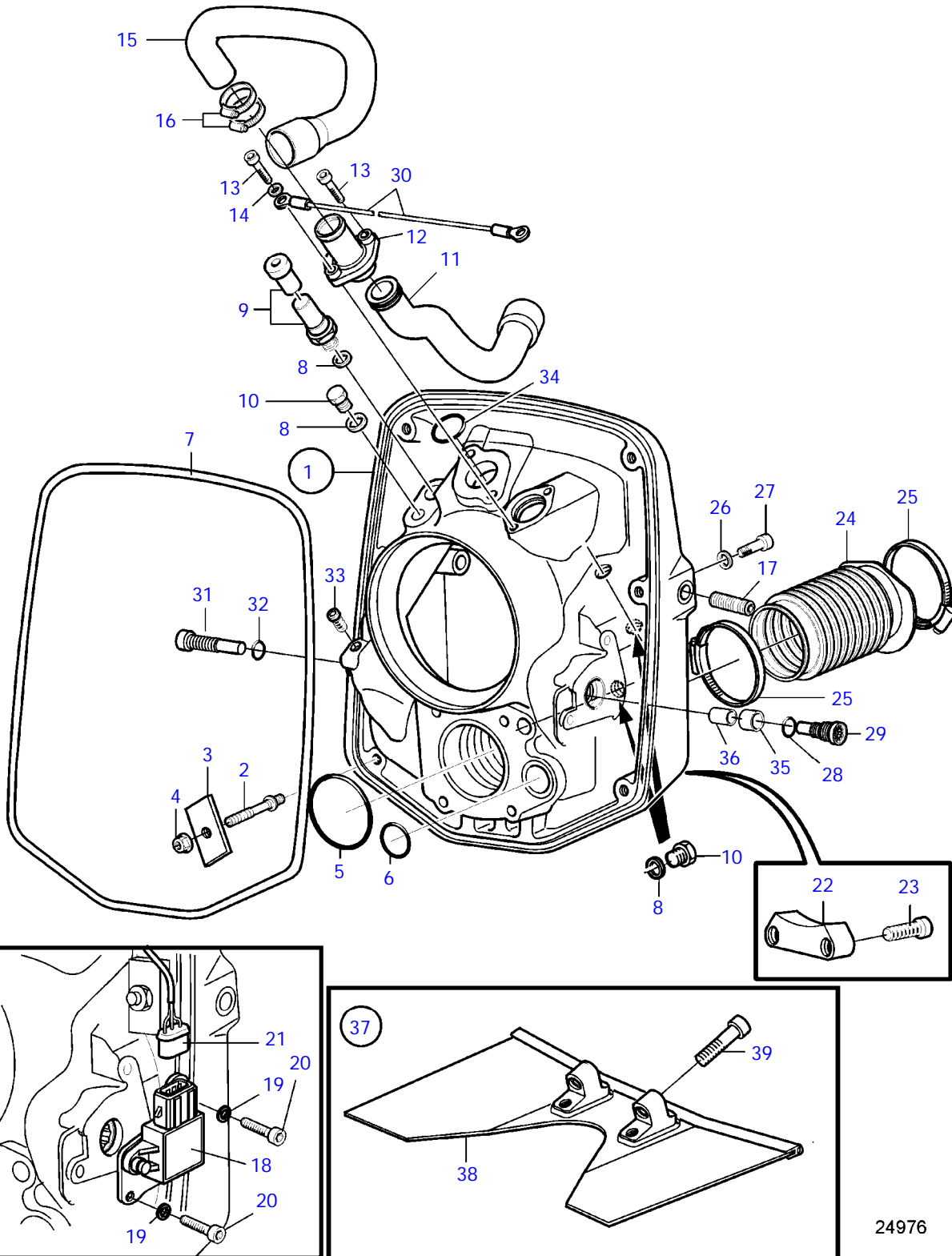
DPH-B, DPR-B



DPH-B, DPR-B

REF	PART NO.	QTY	DESCRIPTION	SEE SEC.	NOTES
1	3809881	1	Shield		
2	873316	6	• Stud		
3	852866	6	• Washer		
4	963108	6	• Lock nut		
5	925259	1	• O-ring		
6	925068	1	• O-ring		
7	3862353	1	• Sealing		
8	3852537	4	O-ring		
9	3856800	2	Hose		
10	984053	2	Plug		
11	3588767	1	Kit		
12	3863303	1	Pipe		
13	946541	2	Hex. socket screw		
14	941670	1	Washer		
15	3808170	1	Hose		
16	961670	2	Hose clamp		
17	3862810	2	Spindle		
18	3818189	1	Service kit, trim		
19	940275	2	Washer		
20	963675	2	Hex. socket screw		
21	3809539	1	Wiring harness		
22	3588745	1	Anode kit, zinc anode		
	3588768	1	Anode kit, magnesium anode		
	3588770	1	Anode kit, aluminum anode		
23	984257	2	6 point socket screw		
24	3588753	1	Exhaust bellows		
25	853012	2	• Hose clamp		
26	941670	2	Washer		
27	984258	2	6 point socket screw		
28	975664	1	O-ring		
29	3809887	1	Pivot pin		
30	3863269	1	Ground cable		
31	3862809	1	Pivot pin		
32	976107	1	O-ring		
33	984390	1	Set screw		
34	925092	1	O-ring		
35	3863092	1	Bushing		
36	3863093	1	Bushing		
37	21119437	1	Plate		Dead rise angle 15-17 degrees and x measurement 348mm
			• Bulletin P-44-1-17	P-44-1-17-EN	New Anti-spray Plates for DPH Twin installations
37	21119438	1	Plate		Dead rise angle 18-20 degrees and x measurement 348mm
			• Bulletin P-44-1-17	P-44-1-17-EN	New Anti-spray Plates for DPH Twin installations
37	21119439	1	Plate		Dead rise angle 21-23 degrees and x measurement 348mm
			• Bulletin P-44-1-17	P-44-1-17-EN	New Anti-spray Plates for DPH Twin installations
37	21119440	1	Plate		Dead rise angle 16,5 degrees and x measurement 364mm
			• Bulletin P-44-1-17	P-44-1-17-EN	New Anti-spray Plates for DPH Twin installations
38	21119437	1	• Plate		
			• Bulletin P-44-1-17	P-44-1-17-EN	New Anti-spray Plates for DPH Twin installations
39	984258	2	• 6 point socket screw		

DPH-B, DPR-B

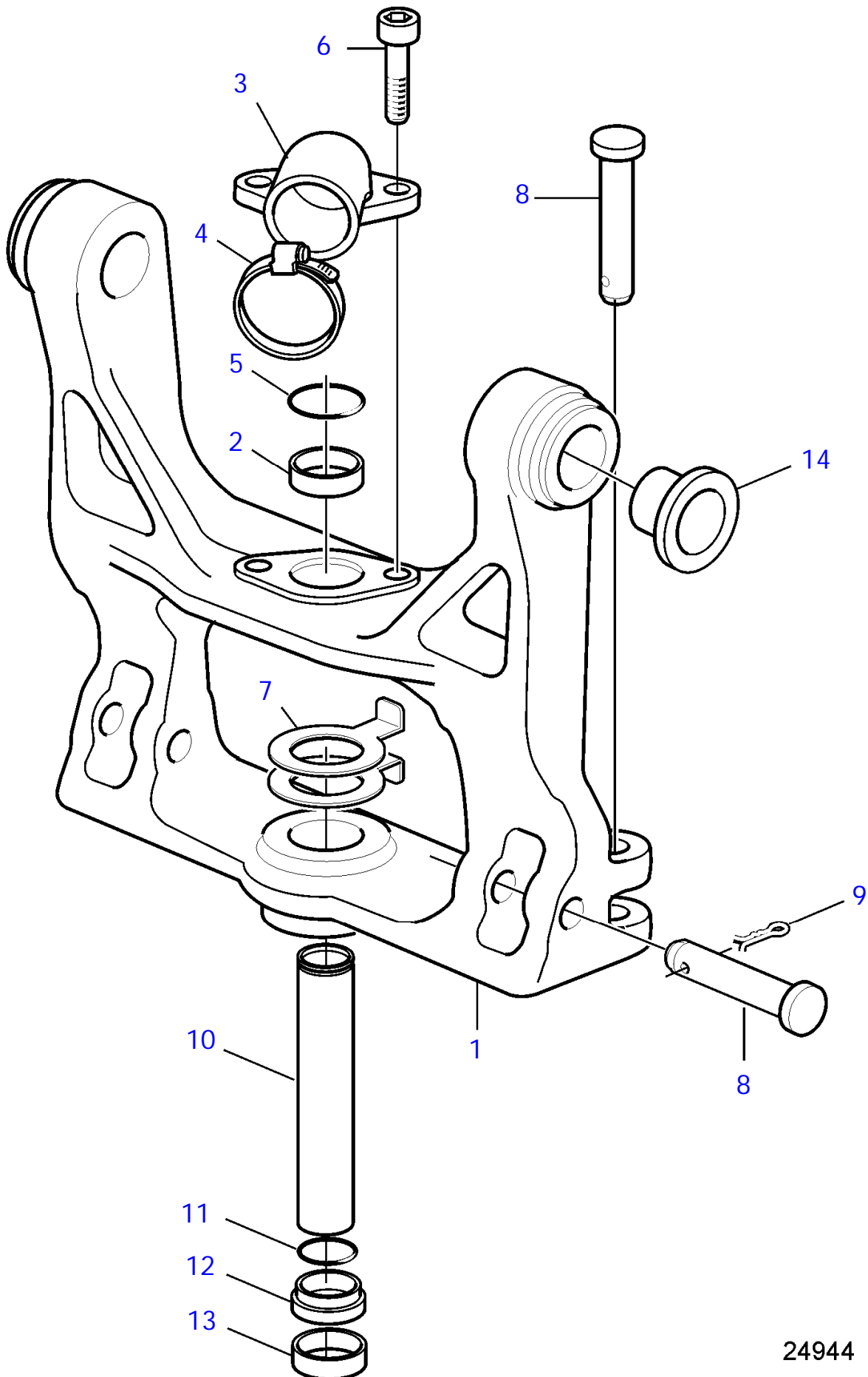


24976

DPH-B, DPR-B

REF	PART NO.	QTY	DESCRIPTION	SEE SEC.	NOTES
1	3809881	1	Shield		
2	873316	6	• Stud		
3	852866	6	• Washer		
4	963108	6	• Lock nut		
5	925259	1	• O-ring		
6	925068	1	• O-ring		
7	3862353	1	• Sealing		
8	3852537	4	O-ring		
9	3856800	1	Hose		
10	984053	3	Plug		
11	3588767	1	Kit		
12	3863303	1	Pipe		
13	946541	2	Hex. socket screw		
14	941670	1	Washer		
15	3808170	1	Hose		
16	961670	2	Hose clamp		
17	3862810	2	Spindle		
18	3818189	1	Service kit, trim		
19	940275	2	Washer		
20	963675	2	Hex. socket screw		
21	3809539	1	Wiring harness		
22	3588745	1	Anode kit, zinc anode		
	3588768	1	Anode kit, magnesium anode		
	3588770	1	Anode kit, aluminum anode		
23	984257	2	6 point socket screw		
24	3588753	1	Exhaust bellows		
25	853012	2	• Hose clamp		
26	941670	2	Washer		
27	984258	2	6 point socket screw		
28	975664	1	O-ring		
29	3809887	1	Pivot pin		
30	3863269	1	Ground cable		
31	3862809	1	Pivot pin		
32	976107	1	O-ring		
33	984390	1	Set screw		
34	925092	1	O-ring		
35	3863092	1	Bushing		
36	3863093	1	Bushing		
37	21119437	1	Plate		Dead rise angle 15-17 degrees and x measurement 348mm
			• Bulletin P-44-1-17	P-44-1-17-EN	New Anti-spray Plates for DPH Twin installations
37	21119438	1	Plate		Dead rise angle 18-20 degrees and x measurement 348mm
			• Bulletin P-44-1-17	P-44-1-17-EN	New Anti-spray Plates for DPH Twin installations
37	21119439	1	Plate		Dead rise angle 21-23 degrees and x measurement 348mm
			• Bulletin P-44-1-17	P-44-1-17-EN	New Anti-spray Plates for DPH Twin installations
37	21119440	1	Plate		Dead rise angle 16,5 degrees and x measurement 364mm
			• Bulletin P-44-1-17	P-44-1-17-EN	New Anti-spray Plates for DPH Twin installations
38	21119437	1	• Plate		
			• Bulletin P-44-1-17	P-44-1-17-EN	New Anti-spray Plates for DPH Twin installations
39	984258	2	• 6 point socket screw		

DPH-A, DPH-B, DPR-A, DPR-B

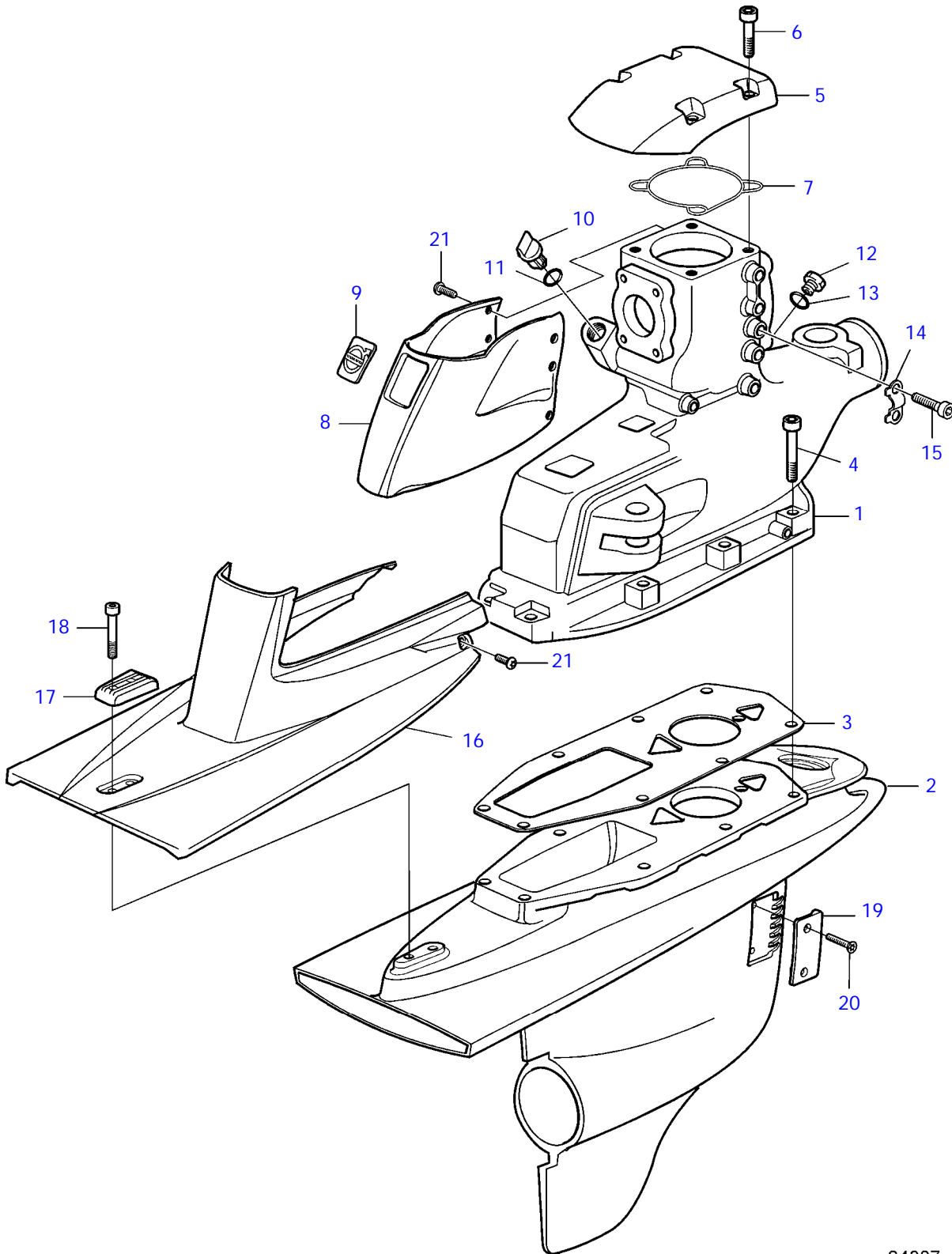


24944

DPH-A, DPH-B, DPR-A, DPR-B

REF	PART NO.	QTY	DESCRIPTION
1	3862759	1	Fork
2	3862217	2	• Bushing
3	40005192	1	Hose connection
4	961670	1	Hose clamp
5	990899	1	O-ring
6	984257	2	6 point socket screw
7	3862248	2	Thrust washer
8	3862188	4	Pin
9	967707	4	Split pin
10	3862246	1	Steering knuckle
11	955999	1	O-ring
12	3862247	1	Retainer
13	3862245	1	Sealing ring
14	3862903	2	Bushing

DPH-A, DPH-B

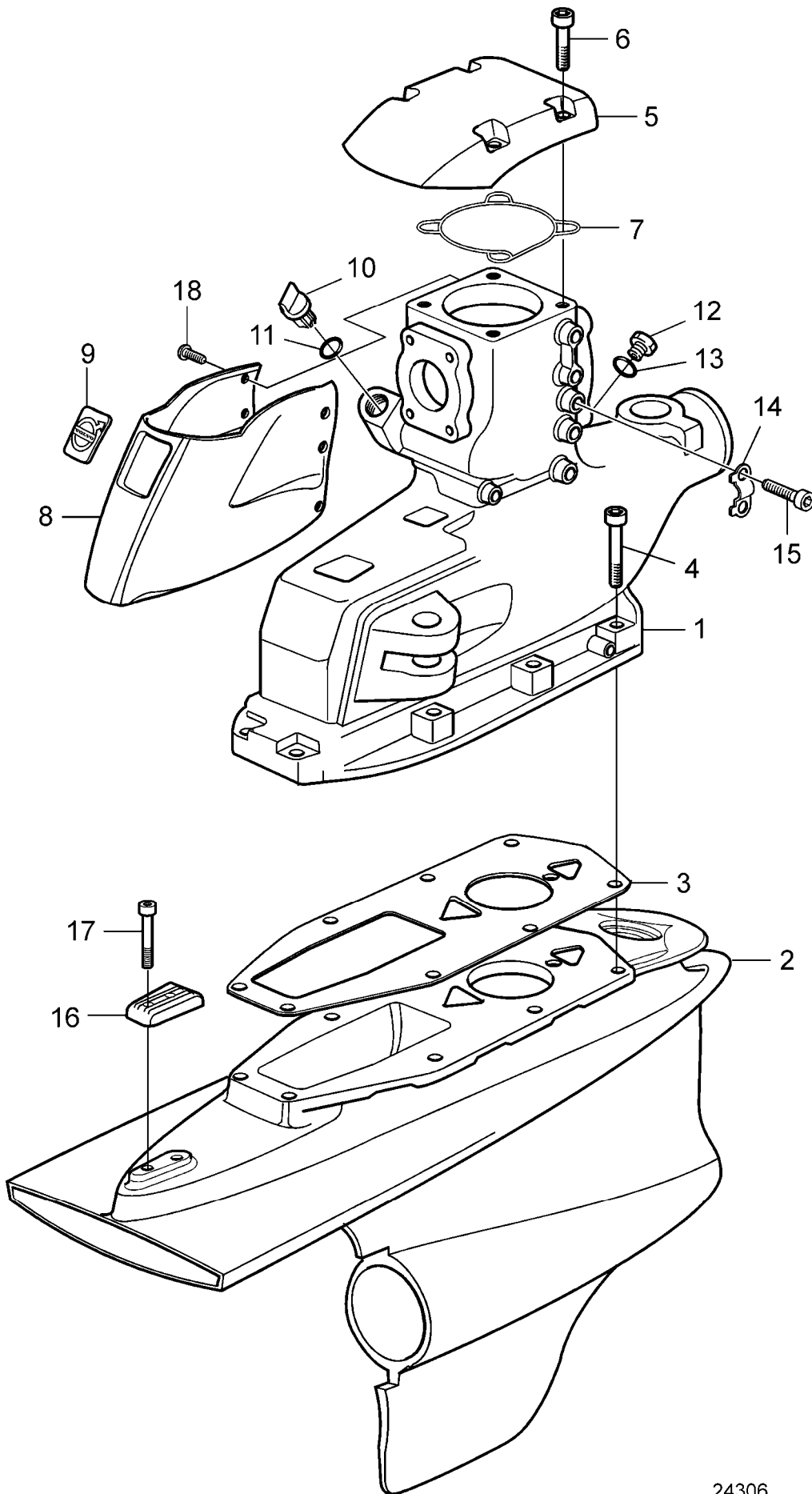


24307

DPH-A, DPH-B

REF	PART NO.	QTY	DESCRIPTION	NOTES
1	3862787	1	Housing	Upper, Replaced by 3809385
	3809385	1	Housing	Upper
2	3863049	1	Housing	Lower
3	3862249	1	Gasket	
4	984260	8	6 point socket screw	L=18mm
5	3849266	1	Cover	
6	984257	4	6 point socket screw	L=25mm
7	3862252	1	Sealing ring	
8	3808265	1	Cover	
9	3887432	1	• Decal	
10	3817310	1	Plug	
11	949656	1	O-ring	
12	984053	1	Plug	
13	964114	1	O-ring	
14	3862365	1	Retainer	
15	984298	2	6 point socket screw	L=20mm
16	3863109	1	Baffle plate	
17	3588746	1	Anode kit, zinc anode	
	3588750	1	Anode kit, magnesium anode	
	3588748	1	Anode kit, aluminum anode	
18	984258	2	6 point socket screw	L=40mm
19	3863104	1	Water inlet	
	3863105	1	Water inlet	
20	984299	2	6 point socket screw	L=30mm
21	984298	8	6 point socket screw	L=20mm

DPR-A, DPR-B

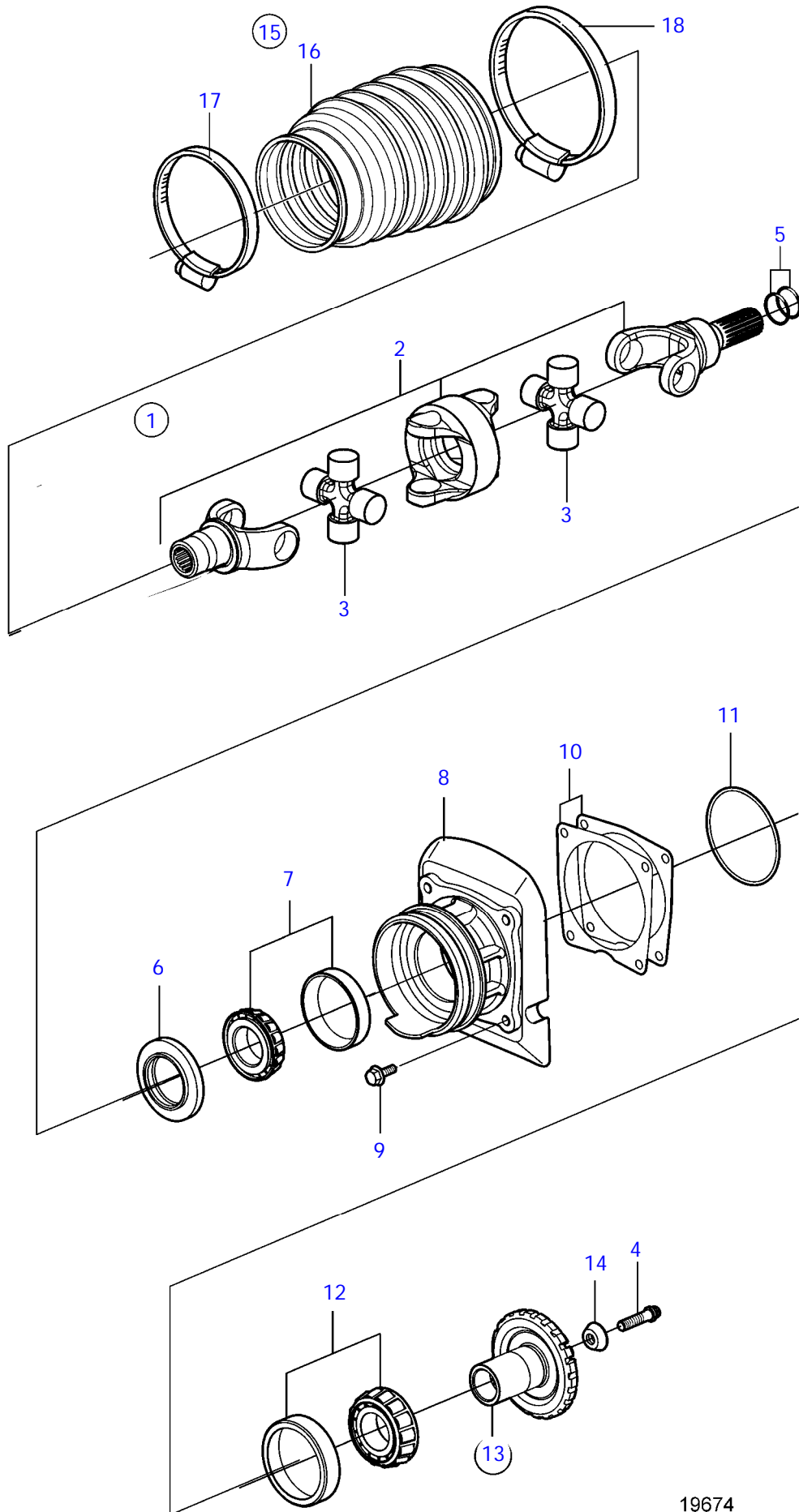


24306

DPR-A, DPR-B

REF	PART NO.	QTY	DESCRIPTION	NOTES
1	3862787	1	Housing	Upper, Replaced by 3809385
	3809385	1	Housing	Upper
2	3862315	1	Housing	Lower
3	3862249	1	Gasket	
4	984260	8	6 point socket screw	L=18mm
5	3849266	1	Cover	
6	984257	4	6 point socket screw	L=25mm
7	3862252	1	Sealing ring	
8	3808265	1	Cover	(3862364)
9	3887432	1	• Decal	
10	3817310	1	Plug	
11	949656	1	O-ring	
12	984053	1	Plug	
13	964114	1	O-ring	
14	3862365	1	Retainer	
15	984298	2	6 point socket screw	L=20mm
16	3589875	1	Anode kit, zinc anode	
	3589877	1	Anode kit, magnesium anode	
	3589876	1	Anode kit, aluminum anode	
17	984258	2	6 point socket screw	L=40mm
18	984298	6	6 point socket screw	L=20mm

DPH-A, DPH-B

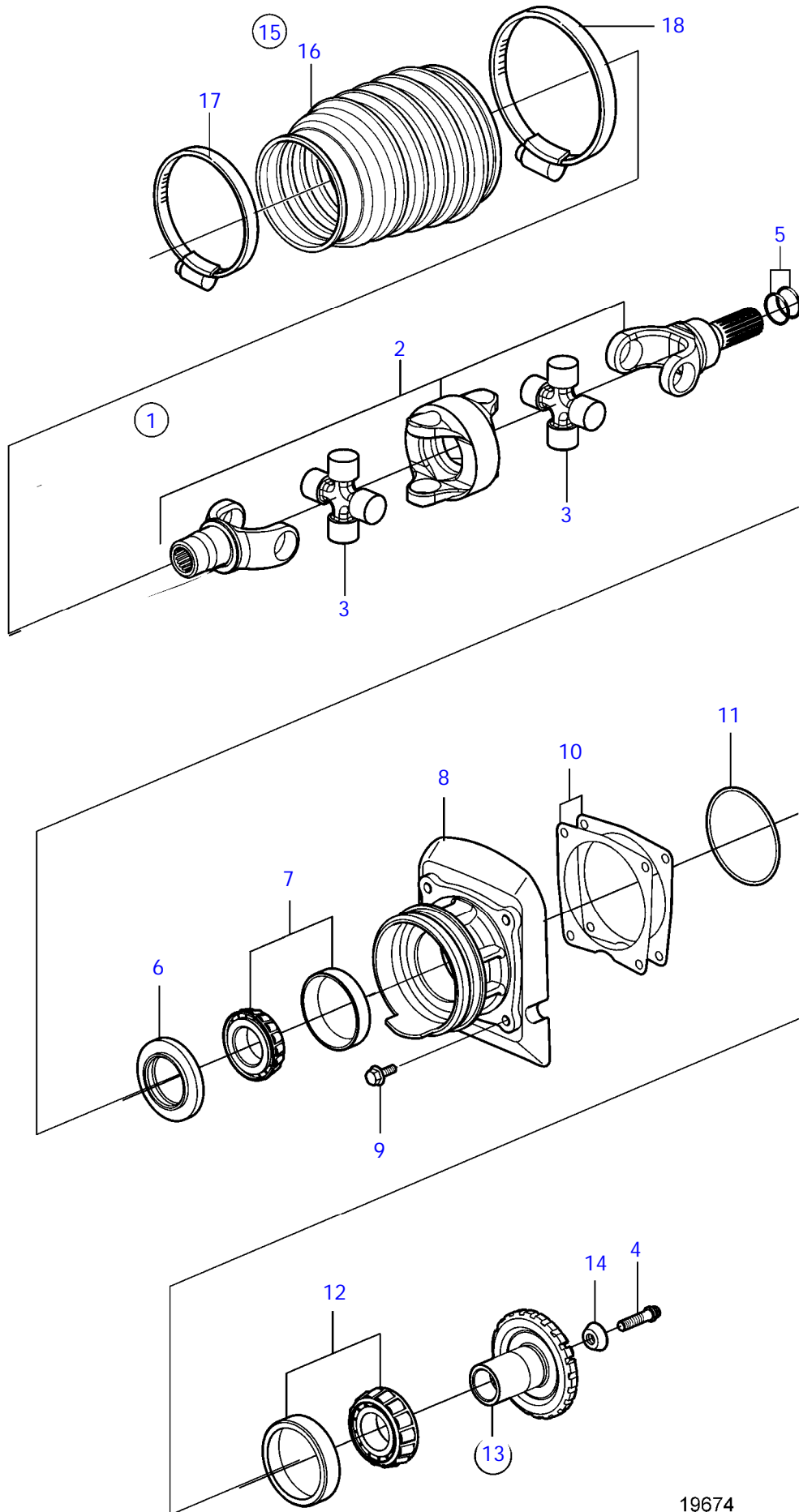


19674

DPH-A, DPH-B

REF	PART NO.	QTY	DESCRIPTION	SEE SEC.	NOTES
1	3887297	1	Universal joint, complete		
2		1	• Universal joint		Not sold separately
3		2	• Spider		Not sold separately
4	3860364	1	• Screw		
5	984290	X	Shim		
	984291	X	Shim		
	984292	X	Shim		
	984293	X	Shim		
6	3863084	1	Sealing ring		
7	11043	1	Roller bearing		
8	3862253	1	Bearing box		
9	984258	4	6 point socket screw		L=40mm
10	3863316	X	Shim		TH=0,10mm
	3863317	X	Shim		TH=0,16mm
	3863318	X	Shim		TH=0,25mm
	3863319	X	Shim		TH=0,40mm
11	925259	1	O-ring		
12	11096	1	Roller bearing		
13		1	Gear set	6271	
14	3862378	1	Washer		
15	3594509	1	Bellows kit		
16	3808898	1	• Bellows		
			• Bulletin P-44-1-11	P-44-1-11-EN	DPH/DPR U-Joint Bellows
17	853012	1	• Hose clamp		
18	853013	1	• Hose clamp		

DPR-A, DPR-B

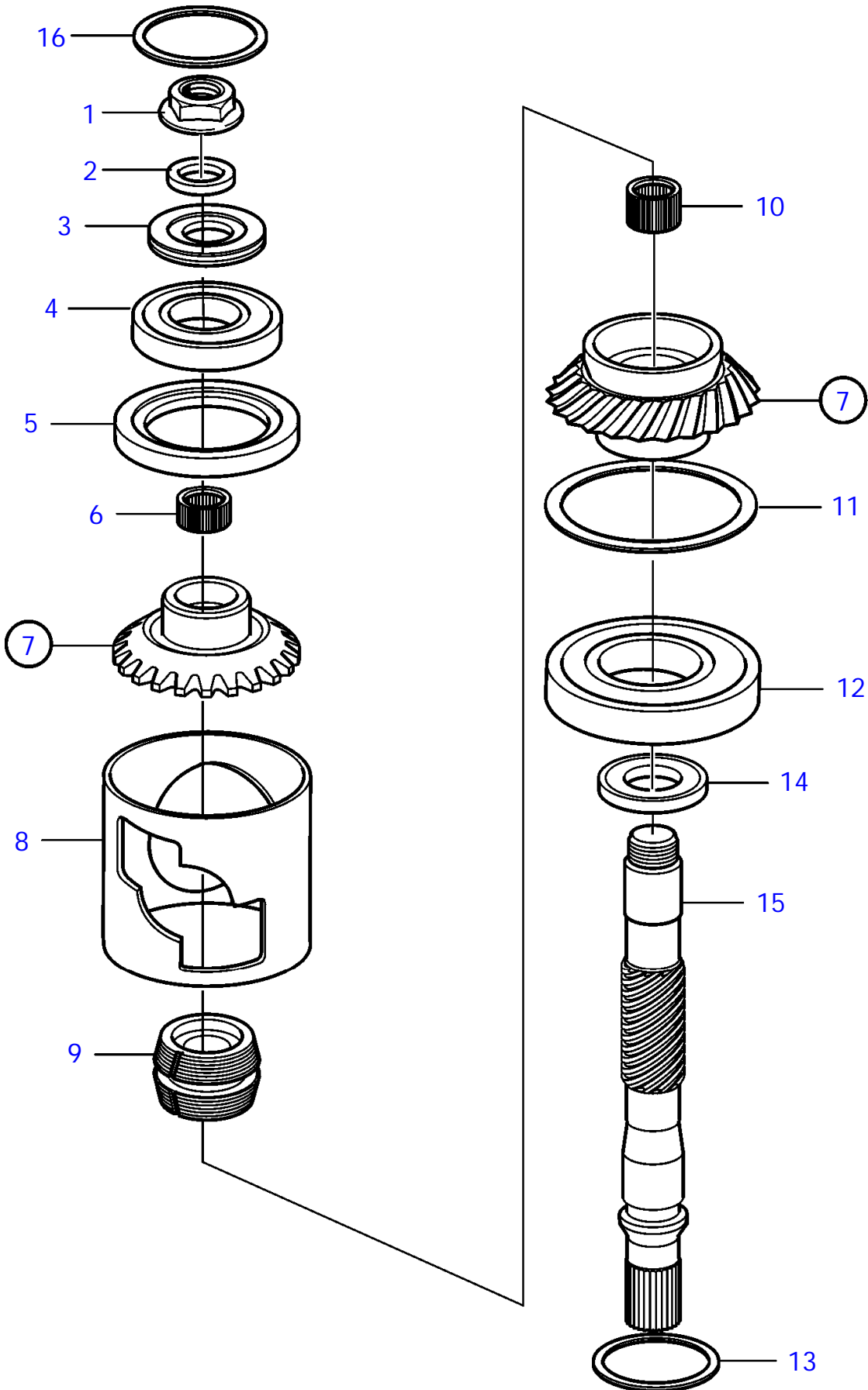


19674

DPR-A, DPR-B

REF	PART NO.	QTY	DESCRIPTION	SEE SEC.	NOTES
1	3887297	1	Universal joint, complete		
2		1	• Universal joint		Not sold separately
3		2	• Spider		Not sold separately
4	3860364	1	• Screw		
5	984290	X	Shim		
	984291	X	Shim		
	984292	X	Shim		
	984293	X	Shim		
6	3863084	1	Sealing ring		
7	11043	1	Roller bearing		
8	3862253	1	Bearing box		
9	984258	4	6 point socket screw		L=40mm
10	3863316	X	Shim		TH=0,10mm
	3863317	X	Shim		TH=0,16mm
	3863318	X	Shim		TH=0,25mm
	3863319	X	Shim		TH=0,40mm
11	925259	1	O-ring		
12	11096	1	Roller bearing		
13		1	Gear set	6386	
14	3862378	1	Washer		
15	3594509	1	Bellows kit		
16	3808898	1	• Bellows		
			• Bulletin P-44-1-11	P-44-1-11-EN	DPH/DPR U-Joint Bellows
17	853012	1	• Hose clamp		
18	853013	1	• Hose clamp		

DPH-A, DPH-B

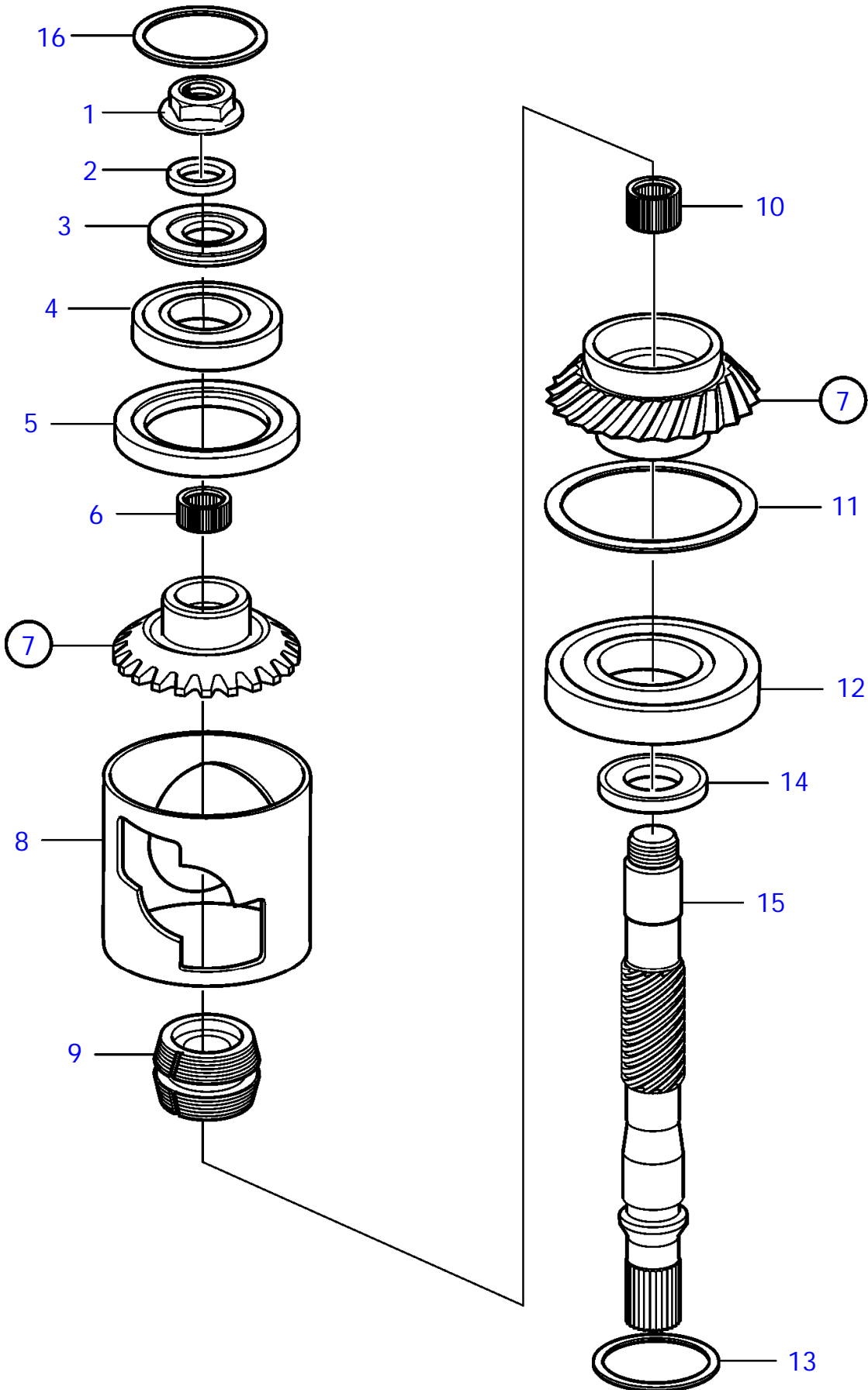


19650

DPH-A, DPH-B

REF	PART NO.	QTY	DESCRIPTION	NOTES
1	3852301	1	Nut	
2	889122	1	Spacer sleeve	
3	3887255	1	Washer	
4	181804	1	Ball bearing	
5	3862381	1	Washer	
6	184778	1	Needle roller bushin	
7	3862370	1	Drive gear set	
8	3862383	1	Spacer sleeve	
9	3849006	1	Sliding sleeve	
10	184654	1	Needle roller bushin	
11	3862382	1	Washer	
12	181868	1	Ball bearing	
13	120615	X	Shim	TH=0.10mm
	190836	X	Shim	TH=0.15mm
	120616	X	Shim	TH=0.35mm
14	3842213	1	Washer	
15	3862368	1	Shaft	
16	983161	X	Shim	TH=0.10mm
	983162	X	Shim	TH=0.15mm
	983163	X	Shim	TH=0.35mm

DPR-A, DPR-B

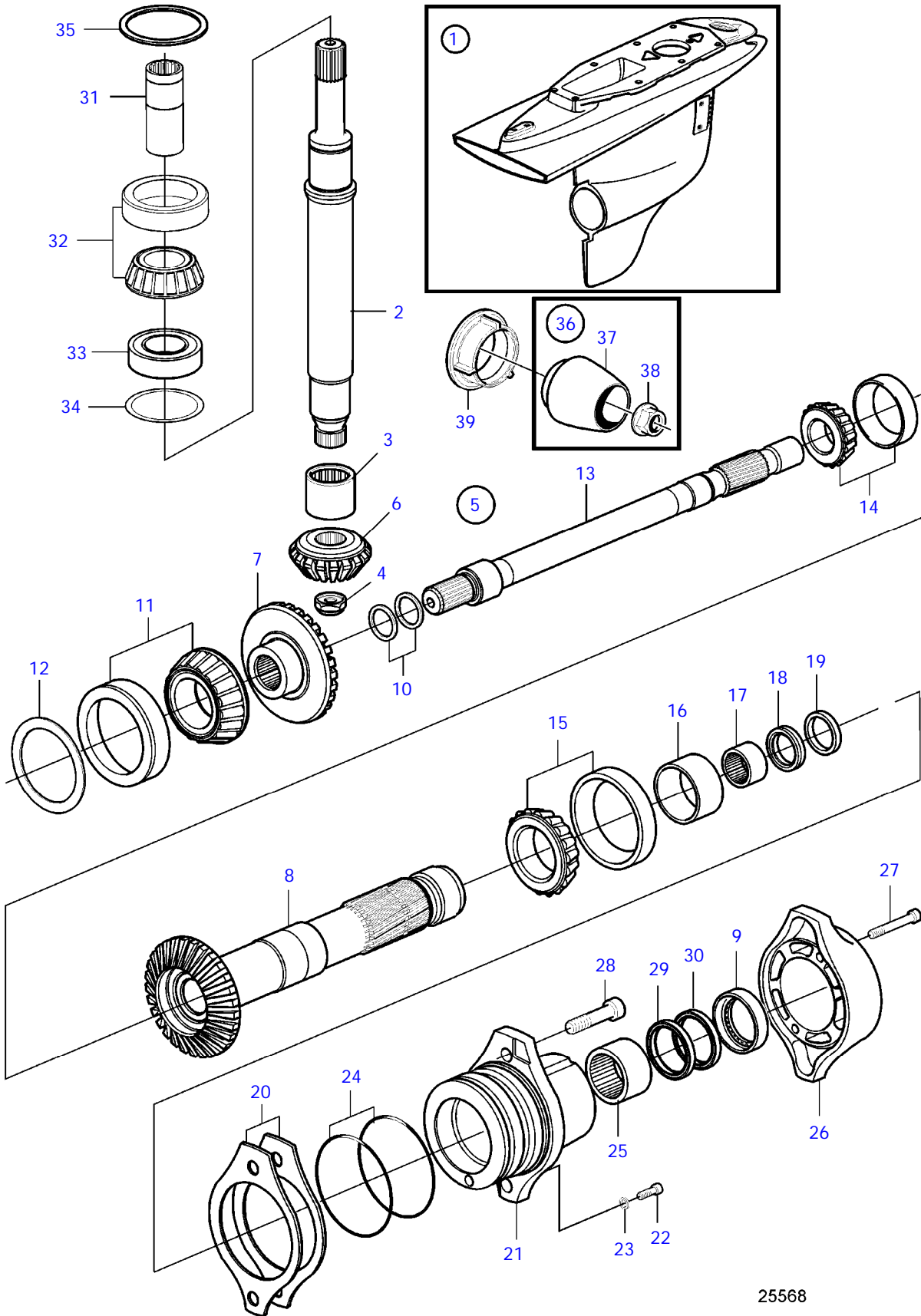


19650

DPR-A, DPR-B

REF	PART NO.	QTY	DESCRIPTION	NOTES
1	3852301	1	Nut	
2	889122	1	Spacer sleeve	
3	3887255	1	Washer	
4	181804	1	Ball bearing	
5	3862381	1	Washer	
6	184778	1	Needle roller bushin	
7	3862374	1	Gear set	
8	3862383	1	Spacer sleeve	
9	3849006	1	Sliding sleeve	
10	184654	1	Needle roller bushin	
11	3862382	1	Washer	
12	181868	1	Ball bearing	
13	120615	X	Shim	TH=0.10mm
	190836	X	Shim	TH=0.15mm
	120616	X	Shim	TH=0.35mm
14	3842213	1	Washer	
15	3862368	1	Shaft	
16	983161	X	Shim	TH=0.10mm
	983162	X	Shim	TH=0.15mm
	983163	X	Shim	TH=0.35mm

DPH-A, DPH-B



25568

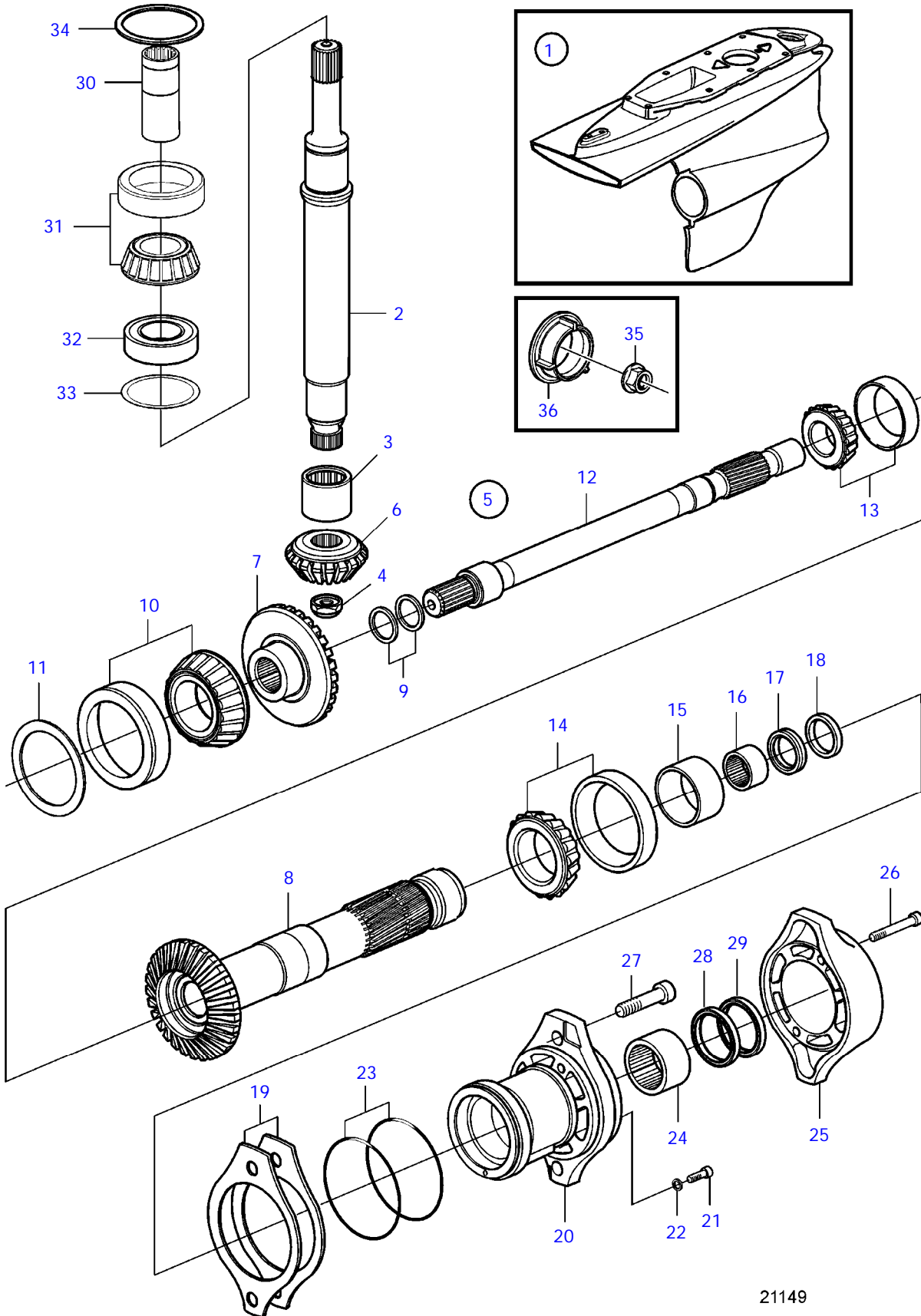
DPH-A, DPH-B

REF	PART NO.	QTY	DESCRIPTION	NOTES
1	3888875	1	Lower gear	Ratio 1.63:1
	3801227	1	Lower gear, exch, exch	Ratio 1.63:1
	3862814	1	Lower gear	Ratio 1.69:1
	3801127	1	Lower gear, exch, exch	Ratio 1.69:1
	3862815	1	Lower gear	Ratio 1.76:1
	3801128	1	Lower gear, exch, exch	Ratio 1.76:1
	3862818	1	Lower gear	Ratio 1.85:1
	3801129	1	Lower gear, exch, exch	Ratio 1.85:1
	3840457	1	Lower gear	Ratio 1.96:1
	3801171	1	Lower gear, exch, exch	Ratio 1.96:1
	3862819	1	Lower gear	Ratio 2.08:1
	3801130	1	Lower gear, exch, exch	Ratio 2.08:1
2	3862389	1	• Shaft	
3	184654	1	• Needle roller bushin	
4	3862390	1	• Nut	
5	3888876	1	• Gear set	Ratio 1.63:1
	3862396	1	• Gear set	Ratio 1.69:1
	3862391	1	• Gear set	Ratio 1.76:1
	3862401	1	• Gear set	Ratio 1.85:1
	3817156	1	Gear set	Ratio 1.96:1
	3862406	1	• Gear set	Ratio 2.08:1
6			• • Pinion	Not sold separately
7			• • Gear	Not sold separately
8			• • Gear	Not sold separately
9	21243935	1	• Lock ring	
10	3863063	X	• Adjusting washer	TH=2.85mm
	3863064	X	• Adjusting washer	TH=2.90mm
	3863065	X	• Adjusting washer	TH=3.00mm
	3863066	X	• Adjusting washer	TH=3.05mm
11	183765	1	• Roller bearing	
12	983158	X	• Shim	TH=0.10mm
	983159	X	• Shim	TH=0.15mm
	983160	X	• Shim	TH=0.35mm
13	3862423	1	• Propeller shaft	
14	425784	1	• Roller bearing	
15	984222	1	• Roller bearing	
16	984225	1	• Inner ring	
17	183390	1	• Needle roller bushin	
18	3863080	1	• Sealing ring	
19	3863081	1	• Sealing ring	
20	3863320	X	• Shim	TH=0.10mm
	3863321	X	• Shim	TH=0,16mm
	3863322	X	• Shim	TH=0,25mm
	3863323	X	• Shim	TH=0,40mm
21	3863098	1	• Bearing box	
22	984450	1	• 6 point socket screw	Oil drain plug
23	889455	1	• Gasket	Oil drain plug
24	925260	2	• O-ring	
25	984224	1	• Needle roller bushin	
26	21434619	1	• Adapter	
27	984258	2	• 6 point socket screw	L=40mm
28	984259	2	• 6 point socket screw	L=40mm
29	3863082	1	• Sealing ring	
30	3863083	1	• Sealing ring	
31	3862421	1	• Splined sleeve	
32	11065	1	• Roller bearing	
33	984223	1	• Ball bearing	
34	983152	X	• Shim	TH=0.10mm
	983153	X	• Shim	TH=0.15mm
	983154	X	• Shim	TH=0.35mm
35	977910	X	• Shim	TH=0.10mm
	977911	X	• Shim	TH=0.15mm
	977912	X	• Shim	TH=0.35mm
36	3807136	1	Propeller cone kit	
37			• Propeller cone	Not sold separately
38	3863213	1	• Propeller nut	Rear

DPH-A, DPH-B

REF	PART NO.	QTY	DESCRIPTION	NOTES
39	3863211	1	Propeller nut	Front

DPR-A, DPR-B

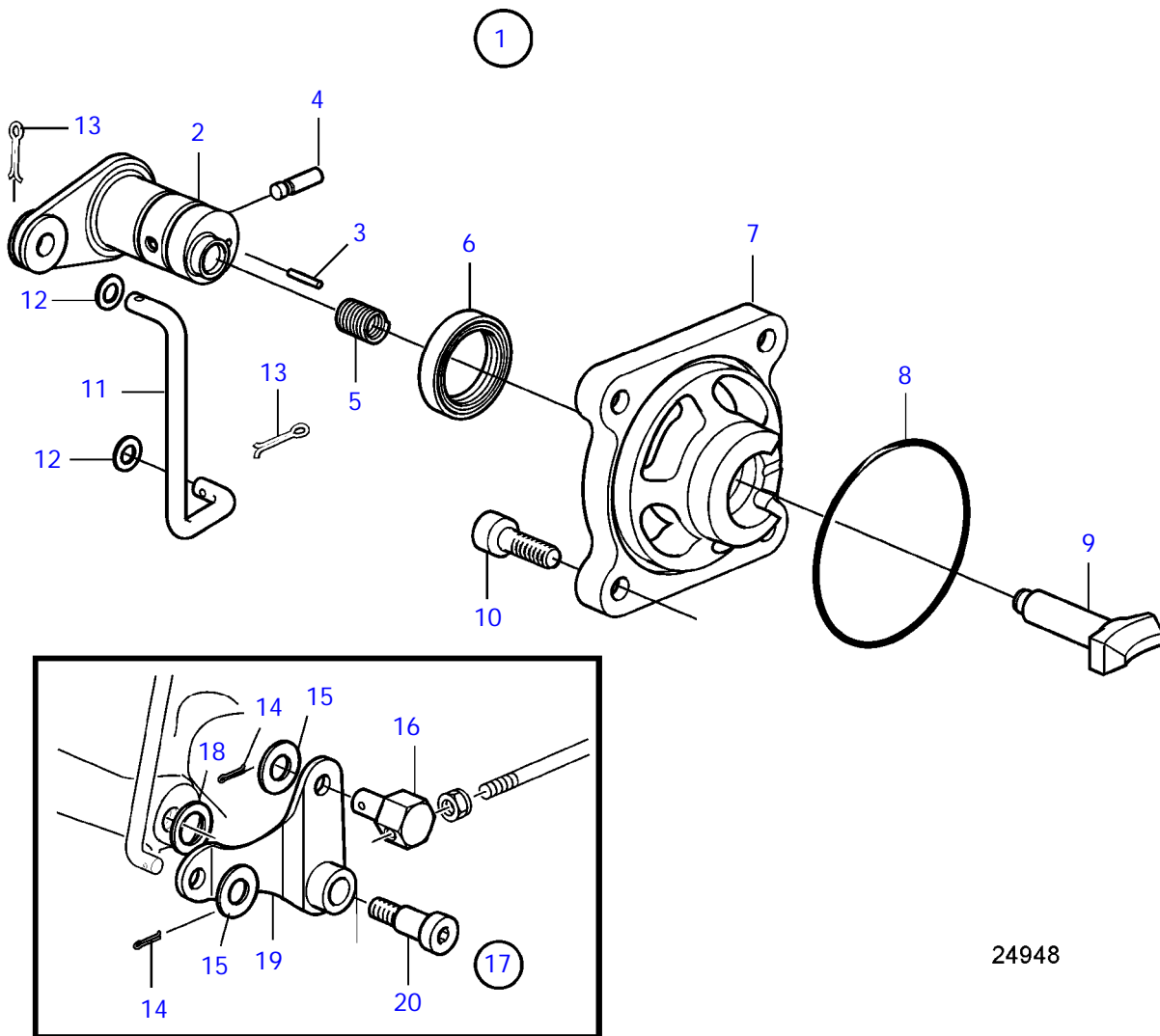


21149

DPR-A, DPR-B

REF	PART NO.	QTY	DESCRIPTION	NOTES
1	3862821	1	Lower gear	Ratio 1.46
	3801131	1	Lower gear, exch, exch	Ratio 1.46
	3843006	1	Lower gear	Ratio 1.36
	3801207	1	Lower gear, exch, exch	Ratio 1.36
2	3862755	1	• Shaft	
3	184654	1	• Needle roller bushin	
4	3862390	1	• Nut	
5	3862416	1	• Gear set	Ratio 1.46
	3842992	1	• Gear set	Ratio 1.36
6			• • Pinion	Not sold separately
7			• • Gear	Not sold separately
8			• • Gear	Not sold separately
9	3863063	X	• Adjusting washer	TH=2.85mm
	3863064	X	• Adjusting washer	TH=2.90mm
	3863065	X	• Adjusting washer	TH=3.00mm
	3863066	X	• Adjusting washer	TH=3.05mm
10	183765	1	• Roller bearing	
11	983158	X	• Shim	TH=0.10mm
	983159	X	• Shim	TH=0.15mm
	983160	X	• Shim	TH=0.35mm
12	3862423	1	• Propeller shaft	
13	425784	1	• Roller bearing	
14	984222	1	• Roller bearing	
15	984225	1	• Inner ring	
16	183390	1	• Needle roller bushin	
17	3863080	1	• Sealing ring	
18	3863081	1	• Sealing ring	
19	889500	X	• Shim	TH=0,10mm
	889501	X	• Shim	TH=0,16mm
	889502	X	• Shim	TH=0,25mm
	889503	X	• Shim	TH=0,40mm
20	3863106	1	• Bearing box	
21	984450	1	• 6 point socket screw	Oil drain plug
22	889455	1	• Gasket	Oil drain plug
23	925260	2	• O-ring	
24	984224	1	• Needle roller bushin	
25	21440870	1	• Adapter	
26	984258	2	• 6 point socket screw	L=40mm
27	984259	2	• 6 point socket screw	L=40mm
28	3863082	1	• Sealing ring	
29	3863083	1	• Sealing ring	Sealing for water.
30	3862421	1	• Splined sleeve	
31	11065	1	• Roller bearing	
32	984223	1	• Ball bearing	
33	983152	X	• Shim	TH=0.10mm
	983153	X	• Shim	TH=0.15mm
	983154	X	• Shim	TH=0.35mm
34	977910	X	• Shim	TH=0.10mm
	977911	X	• Shim	TH=0.15mm
	977912	X	• Shim	TH=0.35mm
35	3863213	1	Propeller nut	Rear
36	3863211	1	Propeller nut	Front

DPH-A, DPH-B, DPR-A, DPR-B

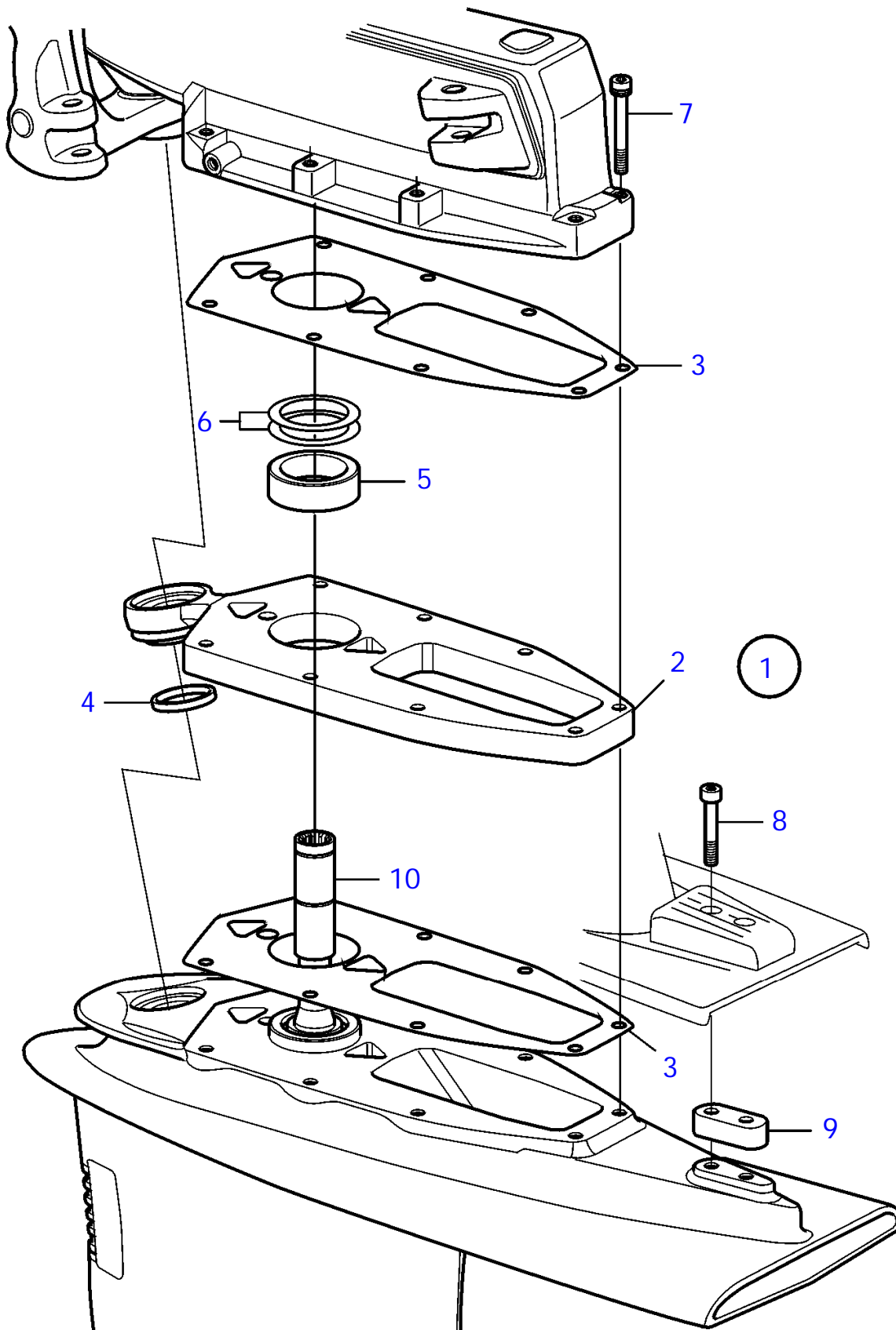


24948

DPH-A, DPH-B, DPR-A, DPR-B

REF	PART NO.	QTY	DESCRIPTION
1	3862385	1	Gear shifter
2	3862388	1	• Piston
3	951936	1	• Spring pin
4	3862867	1	• Pin
5	814184	1	• Spring
6	3863085	1	• Sealing ring
7	3862386	1	• Control housing
8	945624	1	• O-ring
9	3862387	1	• Dog
10	984257	4	6 point socket screw
11	3863214	1	Rod
12	943111	2	Washer
13	17276	2	Split pin
14	17253	2	Split pin
15	940191	2	Washer
16	3852329	1	Cube
17	21330638	1	Kit
18	3887872	1	• Wear washer
19	21177732	1	• Yoke
20	3886432	1	• Shoulder screw

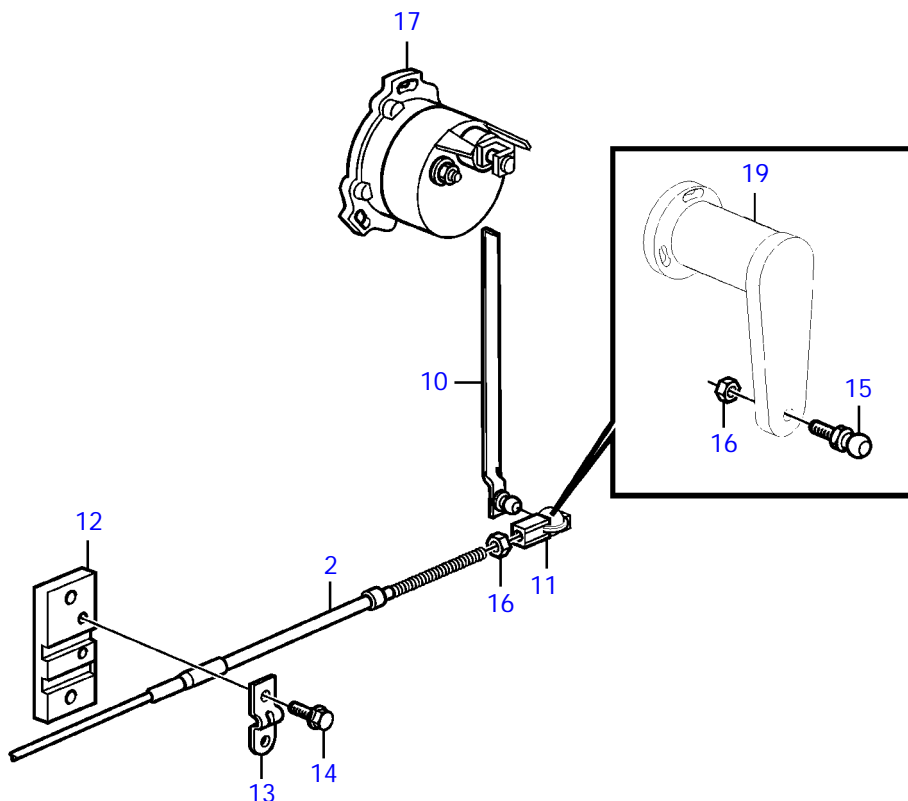
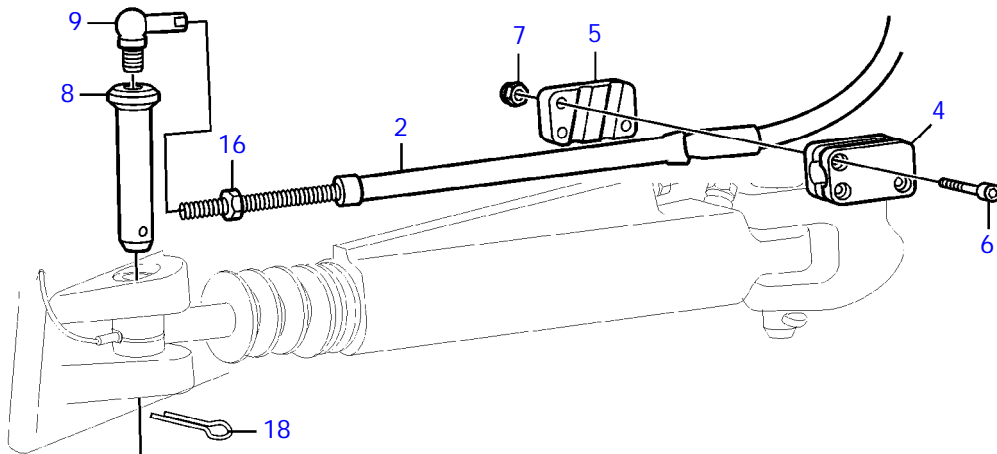
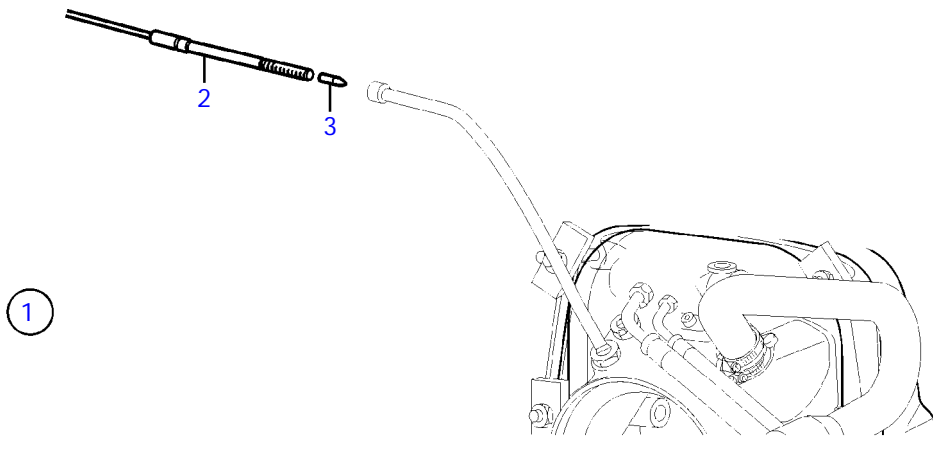
DPH-A, DPH-B, DPR-A, DPR-B



DPH-A, DPH-B, DPR-A, DPR-B

REF	PART NO.	QTY	DESCRIPTION	NOTES
1	3863187	1	Extension kit	
2		1	• Extension	Not sold separately
3	3862249	2	• Gasket	
4	3862245	2	• Sealing ring	
5	3862320	1	• Spacer ring	
6	977910	X	• Shim	TH=0.10mm
	977911	X	• Shim	TH=0.15mm
	977912	X	• Shim	TH=0.35mm
7	984261	8	• 6 point socket screw	L=75mm
8	3588357	2	• Screw	L=65mm
9	3587976	1	• Spacer	
10	3862422	1	• Splined sleeve	

DPH-A, DPH-B

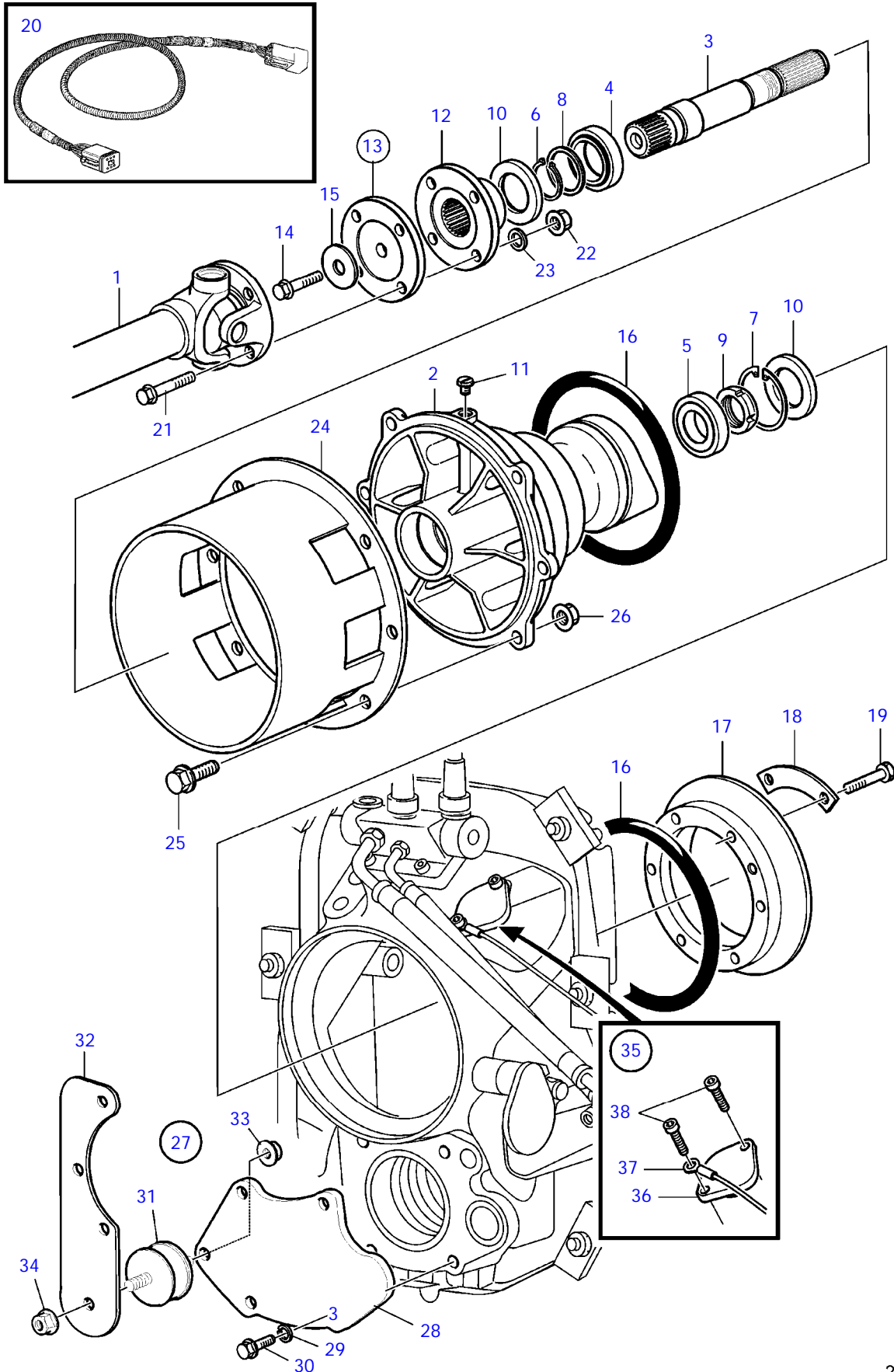


24743

DPH-A, DPH-B

REF	PART NO.	QTY	DESCRIPTION	NOTES
1	3863387	1	Kit	Replaced by 3594073
	3594073	1	Rudder indicator kit	
2	3588616	1	• Cable	Replaced by 3593951 and bracket 3594718
	3593951	1	• Control cable	
3	40005050	1	• Guide	Only used for installation of cable
4	3863425	1	• Bracket	Replaced by 3594718
	3594718	1	• Bracket	
5	3863426	1	• Clamp attachment	
6	963681	3	• Hex. socket screw	
7	984456	3	• Lock nut	
8	3863375	1	• Clevis pin	
9	3863512	1	• Ball joint	
10	3863388	1	• Arm	
11	946703	1	• Ball socket	
12	3863349	1	• Bracket	
13	3862365	1	• Retainer	
14	947107	2	• Flange screw	
15	959083	1	• Ball stud	
16	944456	3	• Hexagon nut	
17	837772	1	Position sensor	
18	967707	2	Split pin	
19		1	Arm, autopilot	

DPH-A, DPH-B, DPR-A, DPR-B

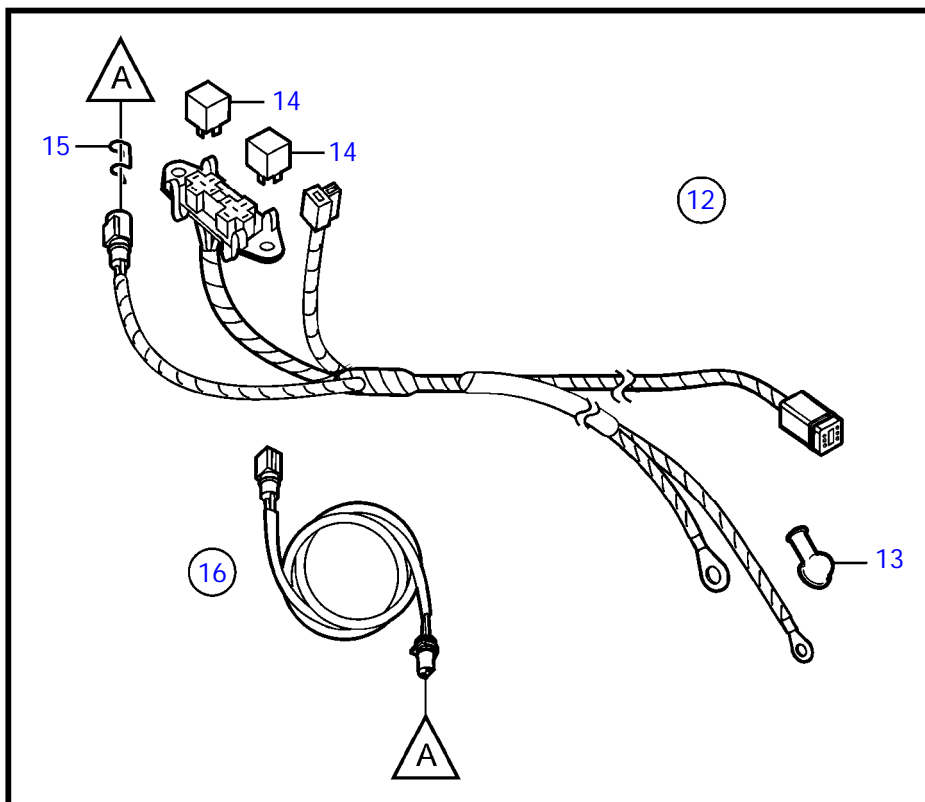
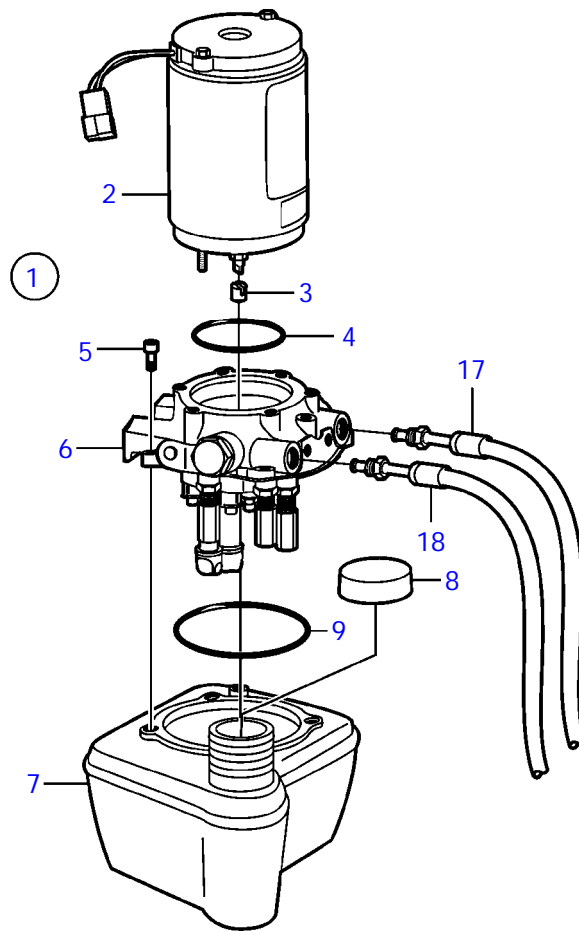
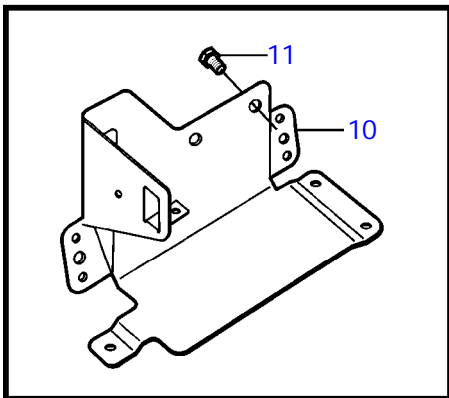


23814

DPH-A, DPH-B, DPR-A, DPR-B

REF	PART NO.	QTY	DESCRIPTION	NOTES
1		1	Jack shaft	Buy locally
2	3807369	1	Intermediate housing	
3	3588815	1	Shaft	
4	183647	1	Roller bearing	
5	11041	1	Roller bearing	
6	914465	1	Snap ring	
7	914533	1	Snap ring	
8	968950	1	Support washer	
9	969072	1	Round nut	
10	958860	2	Sealing ring	
11	804262	1	Plug	
12	838422	1	Clutch flange	
13	3857016	1	Bracket	
14	946472		• Flange screw	
15	947541	1	Washer	
16	858464	2	Rubber ring	
17	873048	1	Tensioning ring	
18	806624	3	Striker plate	
19	191844	6	Hexagon screw	
20	3842733	1	Extension cable'verl	3m
21	945996	4	Hexagon screw	
22	950375	4	Lock nut	
23	949818	4	Washer	
24	3588817	1	Cover	
25	965192	6	Flange screw	
26	977938	6	Flange lock nut	
27	888216	1	Kit	
28	3807219	1	• Flange	
29	941908	4	• Spring washer	
30	984914	4	• Hexagon screw	
31	3588654	1	Mounting base	
32	3588656	1	Bracket	
33	977938	1	Flange lock nut	
34	977938	1	Flange lock nut	
35	3807366	1	Kit	
36		1	• Flange	Not sold separately
37	3588898	1	Strap	
38	946541	2	Hex. socket screw	

DPH-A, DPH-B, DPR-A, DPR-B

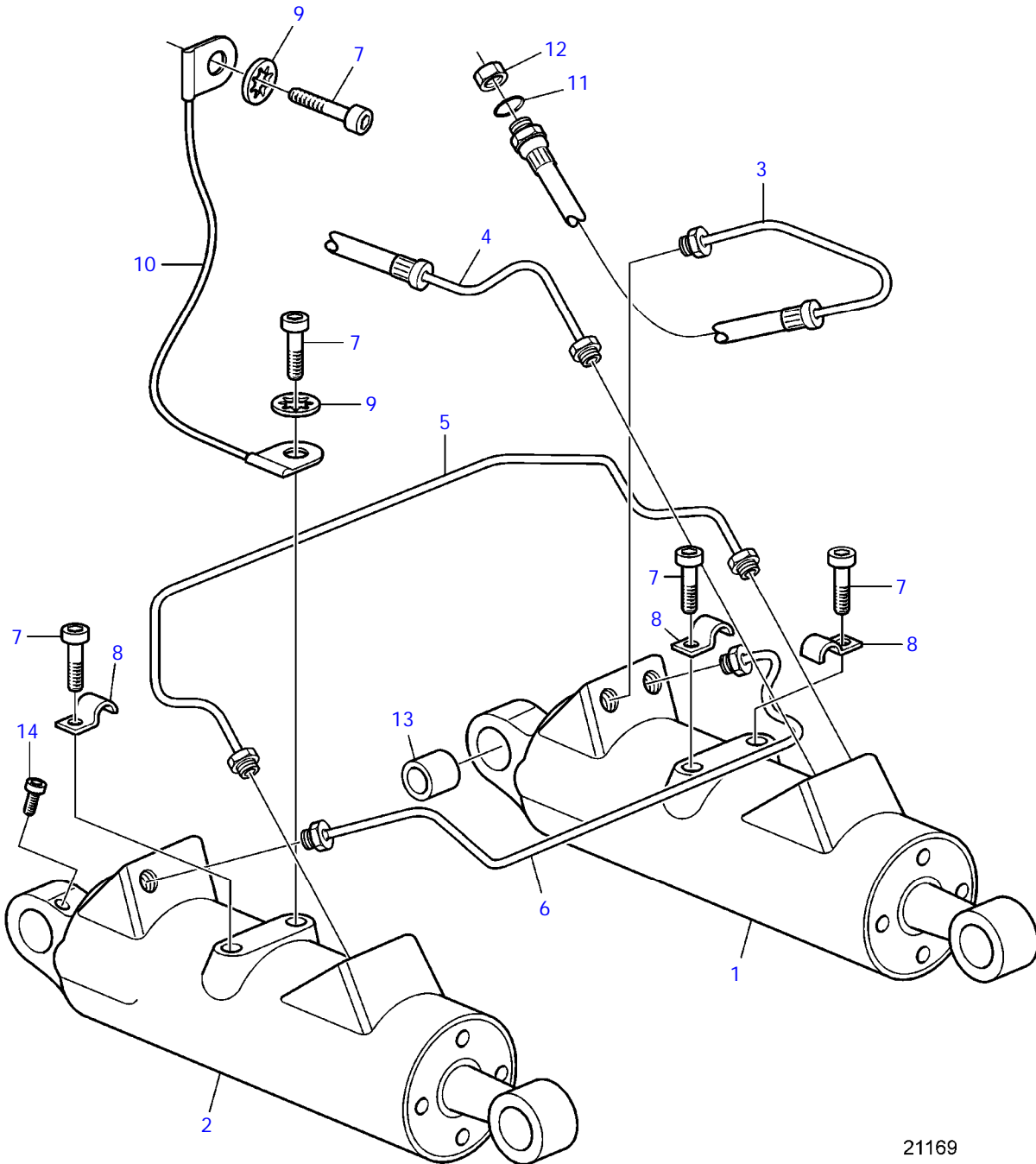


19724

DPH-A, DPH-B, DPR-A, DPR-B

REF	PART NO.	QTY	DESCRIPTION	NOTES
1	3863128	1	Pump, trim	Replaced by 3587109
	3587109	1	Trimmer, trim	Replaced by 3818340
	3818340	1	Pump, trim	
2	3861575	1	• Electrical motor	
3	3861577	1	• Connector	
4	3861578	1	• O-ring	
5	3861574	4	• Screw	
6		1	• Valve body	Not sold separately
7	3861570	1	• Reservoir	
8	3861572	1	• Cardboard tube	
9	3861573	1	• O-ring	
10	3858083	1	• Bracket	
11	971017	2	• Hexagon screw	
12	3840205	1	• Wiring harness	
13		1	• • Boot	Not sold separately
14	3858809	2	• Relay	
15	(3852237)	1	Retainer	Obsolete part
16	3809539	1	Wiring harness	Trim sender
17	3809559	1	Hose assembly	
18	3809560	1	Hose assembly	

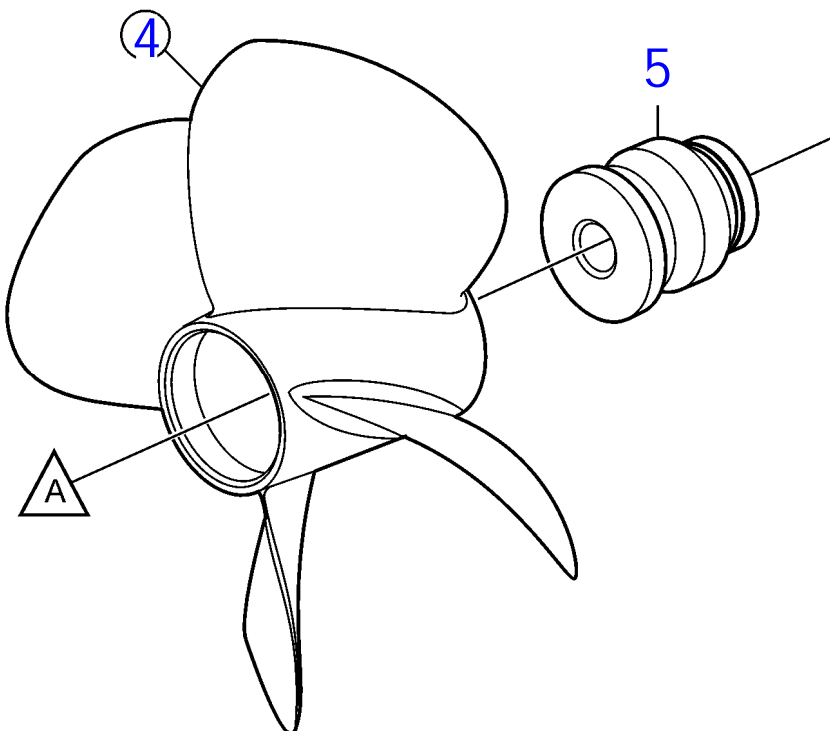
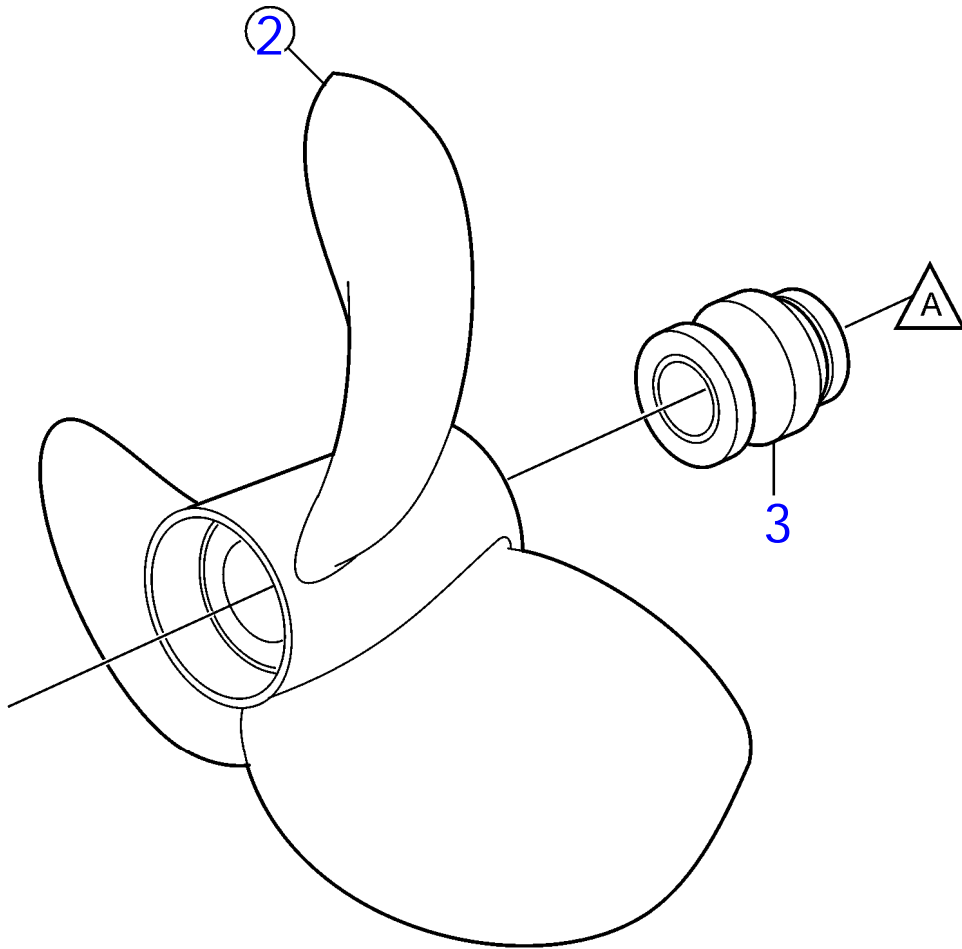
DPH-A, DPH-B, DPR-A, DPR-B



21169

DPH-A, DPH-B

(1)



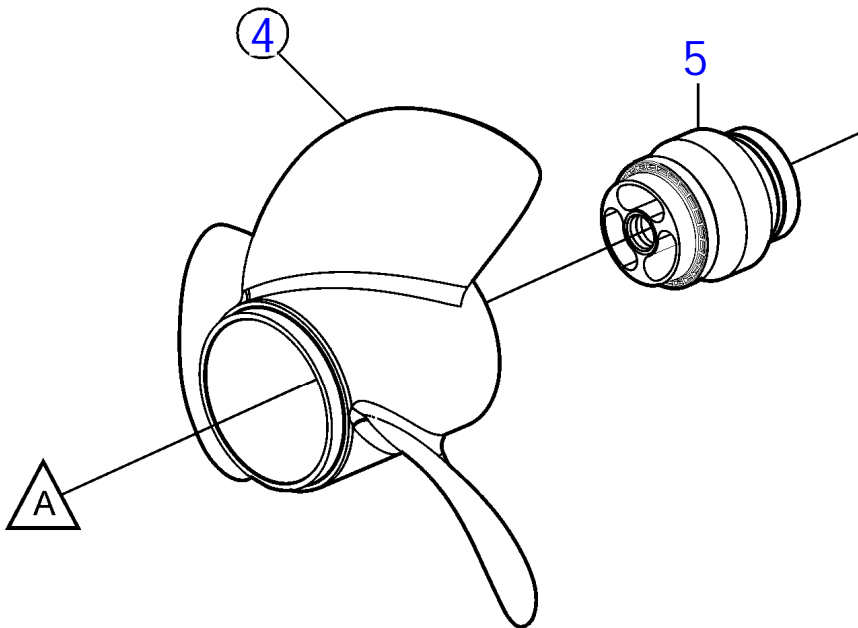
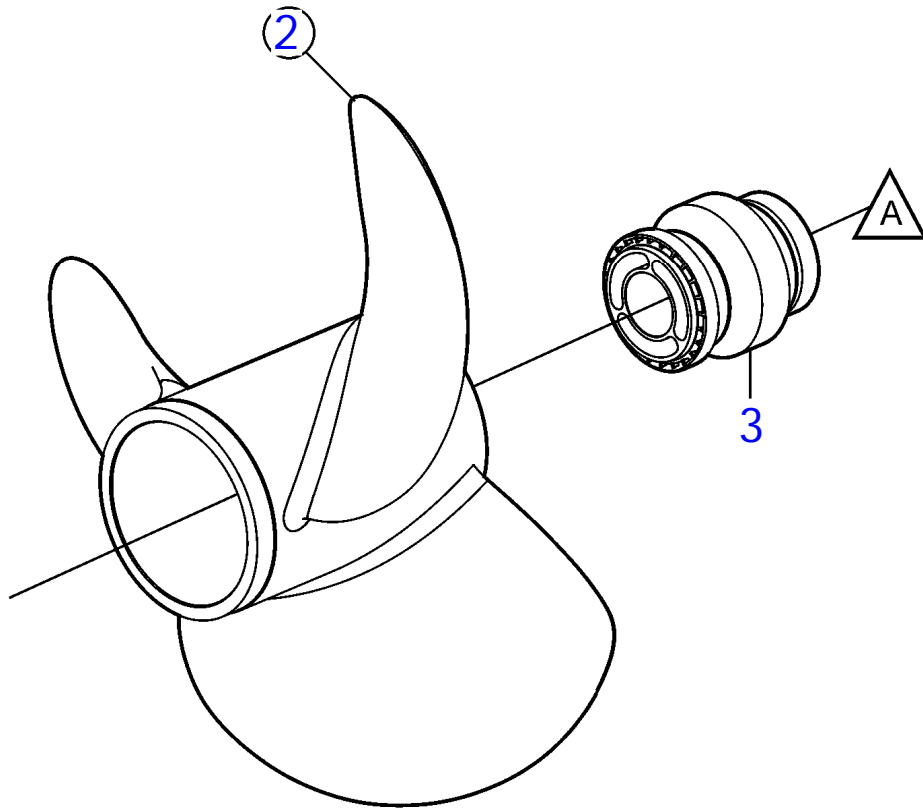
21446

DPH-A, DPH-B

REF	PART NO.	QTY	DESCRIPTION	SEE SEC.	NOTES
1	3587375	X	Propeller, Nibral		Set, G2
			• Bulletin P-44-7-1	P-44-7-1-EN	Duoprop Propellers
			• Bulletin P-44-7-9	P-44-7-9-EN	Propeller Update, T-series and G-series
1	3587378	X	Propeller, Nibral		Set, G3
			• Bulletin P-44-7-9	P-44-7-9-EN	Propeller Update, T-series and G-series
1	3587379	X	Propeller, Nibral		Set, G4
	3587380	X	Propeller, Nibral		Set, G5
	3587381	X	Propeller, Nibral		Set, G6
	3587382	X	Propeller, Nibral		Set, G7
	3587383	X	Propeller, Nibral		Set, G8
	3587384	X	Propeller, Nibral		Set, G9
	3587385	X	Propeller, Nibral		Set, G10
2	3587386	1	• Propeller, Nibral		G2
	3587389	1	• Propeller, Nibral		G3
	3587391	1	• Propeller, Nibral		G4
	3587393	1	• Propeller, Nibral		G5
	3587395	1	• Propeller, Nibral		G6
	3587398	1	• Propeller, Nibral		G7
	3587400	1	• Propeller, Nibral		G8
	3587402	1	• Propeller, Nibral		G9
	3587404	1	• Propeller, Nibral		G10
3	3862764	1	• • Hub, front		
4	3587388	1	• Propeller, Nibral		G2
	3587390	1	• Propeller, Nibral		G3
	3587392	1	• Propeller, Nibral		G4
	3587394	1	• Propeller, Nibral		G5
	3587397	1	• Propeller, Nibral		G6
	3587399	1	• Propeller, Nibral		G7
	3587401	1	• Propeller, Nibral		G8
	3587403	1	• Propeller, Nibral		G9
	3587404	1	• Propeller, Nibral		G10
5	3862765	1	• • Hub, rear		

DPR-A, DPR-B

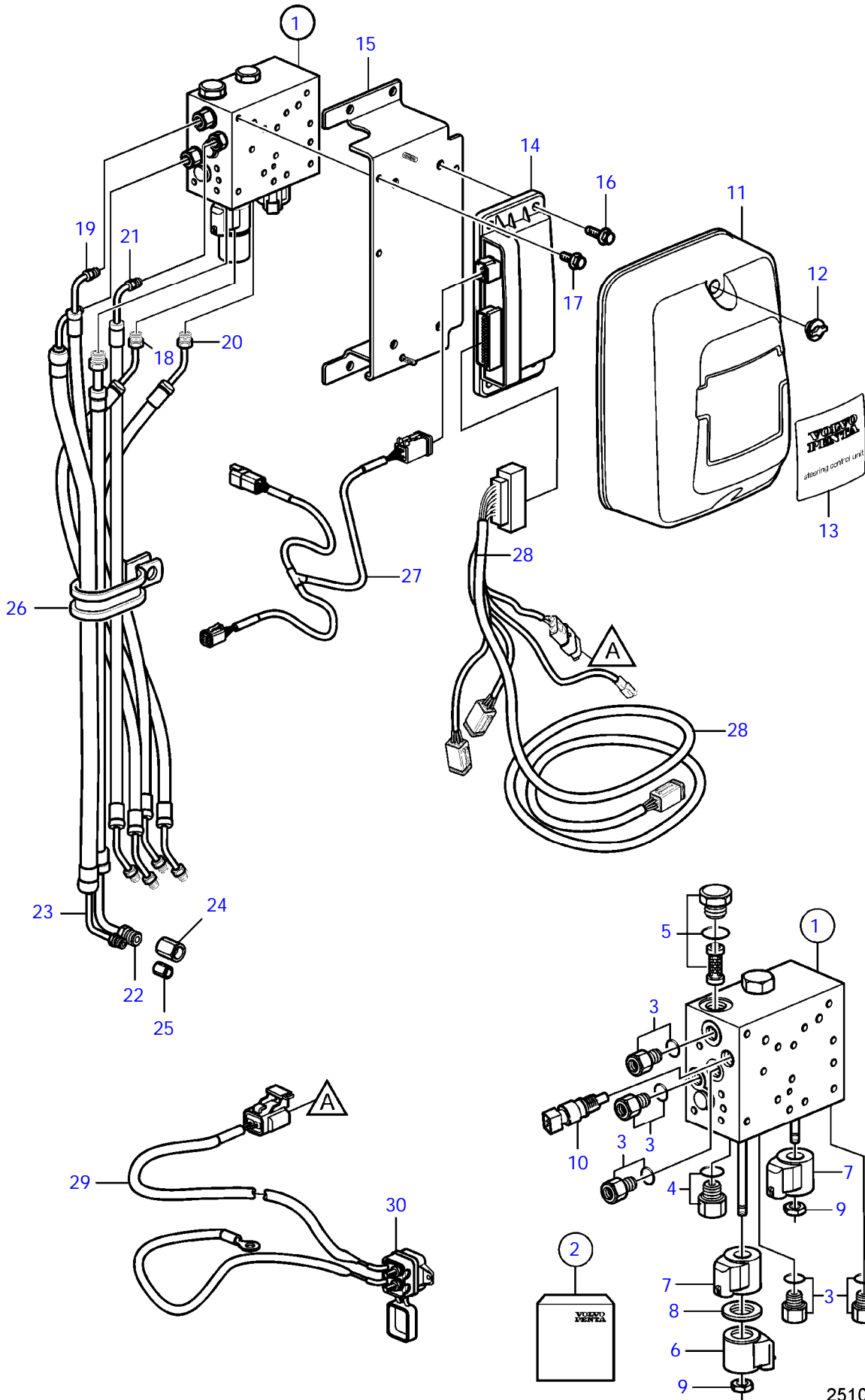
①



DPR-A, DPR-B

REF	PART NO.	QTY	DESCRIPTION	NOTES
1	3863492	1	Kit, stainless steel	Set, GR7
	3863493	1	Kit, stainless steel	Set, GR8
	3863494	1	Kit, stainless steel	Set, GR9
2	3863501	1	• Propeller, stainless steel	GR7, Front
	3863503	1	• Propeller, stainless steel	GR8, Front
	3863505	1	• Propeller, stainless steel	GR9, Front
3	3862770	1	• • Hub, front	
4	3863502	1	• Propeller, stainless steel	GR7, Rear
	3863504	1	• Propeller, stainless steel	GR8, Rear
	3863506	1	• Propeller, stainless steel	GR9, Rear
5	3862771	1	• • Hub, rear	

DPH-B



Upd:2011-02-10

25104

25104

7744790-64-36002

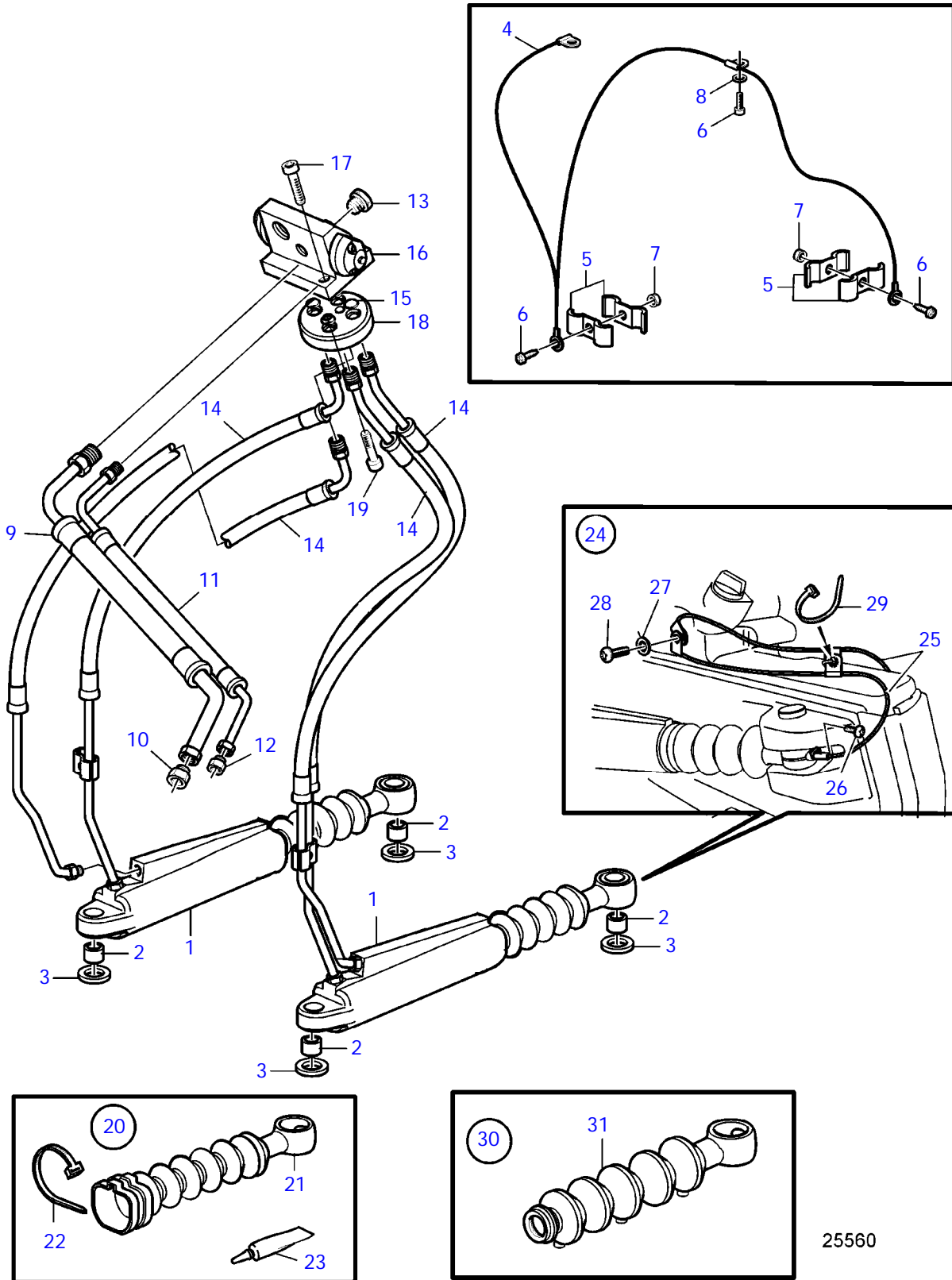


DPH-A, DPH-B, DPR-A, DPR-B

DPH-B

REF	PART NO.	QTY	DESCRIPTION	NOTES
1	21199262	1	Valve	
2	21298577	1	• Kit	
3	21199274	5	• • Nipple	
		5	• • • O-ring	Not sold separately
4	3859043	1	• • Fitting	
	3859042	1	• • • O-ring	
5	21314058	1	• • Filter	
		1	• • • Nut	Not sold separately
		1	• • • O-ring	Not sold separately
6	21314061	1	• • Solenoid	
7	21314064	2	• • Solenoid	
8		1	• Washer	Not sold separately
9		2	• Nut	Not sold separately
10	3850397	1	• Switch, temperature	
11	21198760	1	Cover	
12	3841608	2	Nut	
13	21199454	1	Decal	
14	21187317	1	Module	SCU, replaced by next part number
	21358822	1	Module	SCU
15	21199245	1	Bracket	
16	21280607	4	Flange screw	
17	946544	3	Flange screw	
18	21249877	1	Hydraulic hose	
19	21254102	1	Hydraulic hose	
20	21254107	1	Hydraulic hose	
21	21254108	1	Hydraulic hose	
22	21256063	1	Hydraulic hose, return	
23	21256065	1	Hydraulic hose, pressure	
24	984379	1	Nipple	
25	984378	1	Nipple	
26	(3852837)	2	Clamp	Obsolete part
27	3588972	1	Cable kit, t	
28	21292450	1	Wiring harness	SCU
29	21292472	1	Wiring harness	Power
30		1	• Breaker, circuit	10A, Not sold separately

DPH-A, DPH-B, DPR-A, DPR-B

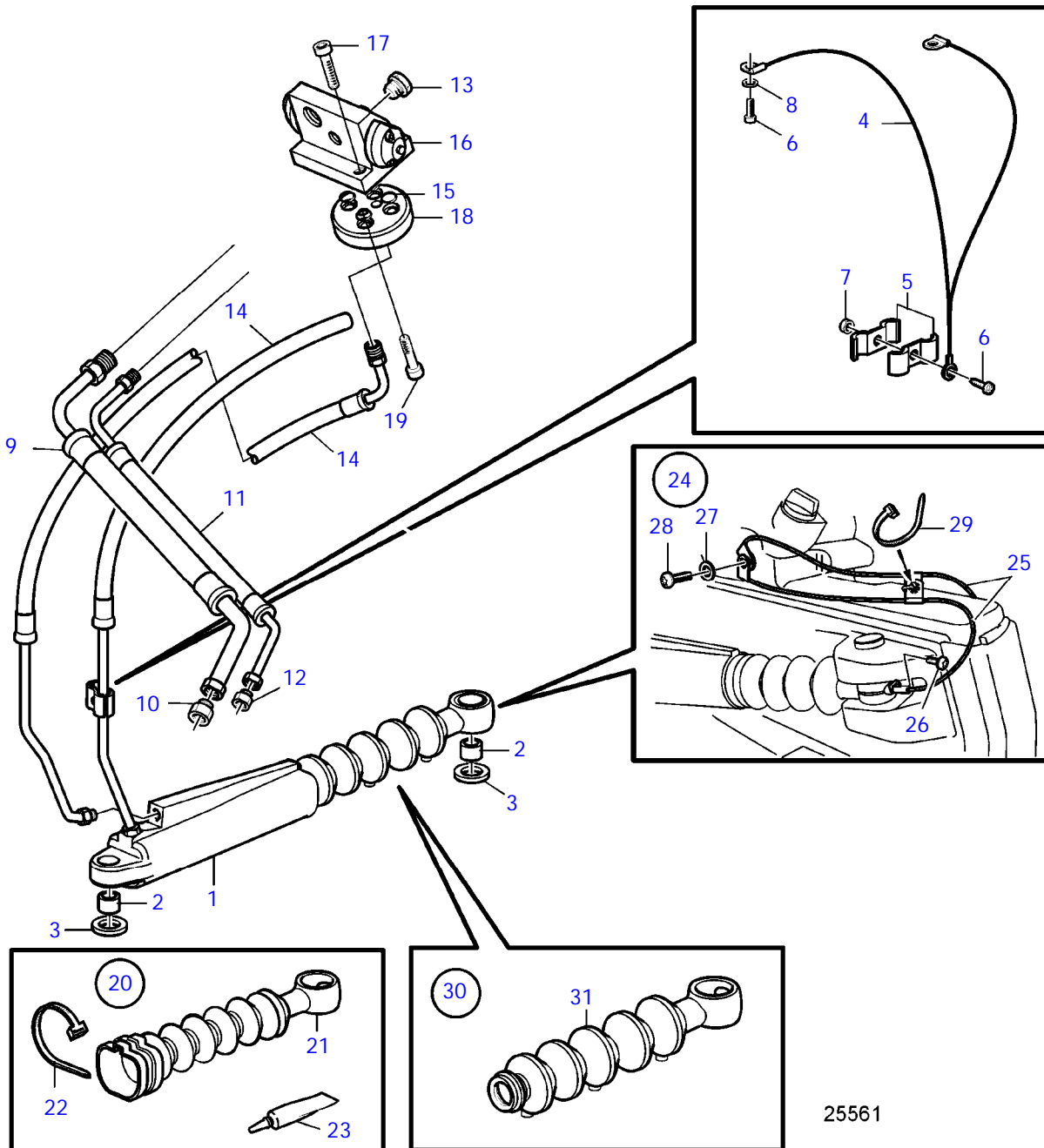


25560

DPH-A, DPH-B, DPR-A, DPR-B

REF	PART NO.	QTY	DESCRIPTION	SEE SEC.	NOTES
1	21526050	2	Steering cylinder		
2	21388920	4	Bushing		
3	3589516	4	Wear washer		(3863172)
4	889726	1	Ground cable		
5	984329	4	Clamp		
6	963675	3	Hex. socket screw		
7	944456	2	Hexagon nut		
8	940275	1	Washer		
9	3863222	1	Hose		
10	984379	1	Nipple		
11	3863223	1	Hydraulic hose		
12	984378	1	Nipple		
13	984376	2	Plug		
14	21548739	1	Hydraulic hose, kit		
			• Bulletin P-44-1-22	P-44-1-22-EN	Problem with Hydraulic Hoses for DPH/DPR Drives
15	925053	4	• O-ring		
16	3862321	1	Valve		
17	946541	2	Hex. socket screw		
18	3586766	1	Disc		
19	963677	2	Hex. socket screw		
20	21132674	1	Bellows kit		
			• Bulletin P-44-1-15	P-44-1-15-EN	Anti Barnacle Bellow
21		2	• Bellows		
22	948211	2	• Cable tie		
23		2	• Adhesive		
24	21233764	1	Chassie ground cable		
25	21200067	2	• Cable		
26	993453	2	• Hex. socket screw		
27	941670	2	• Washer		
28	984298	2	• 6 point socket screw		
29	948211	1	• Cable tie		
30	21375755	1	Steering cylinder be		
31	3594036	2	• Bellows		

DPH-A, DPH-B, DPR-A, DPR-B

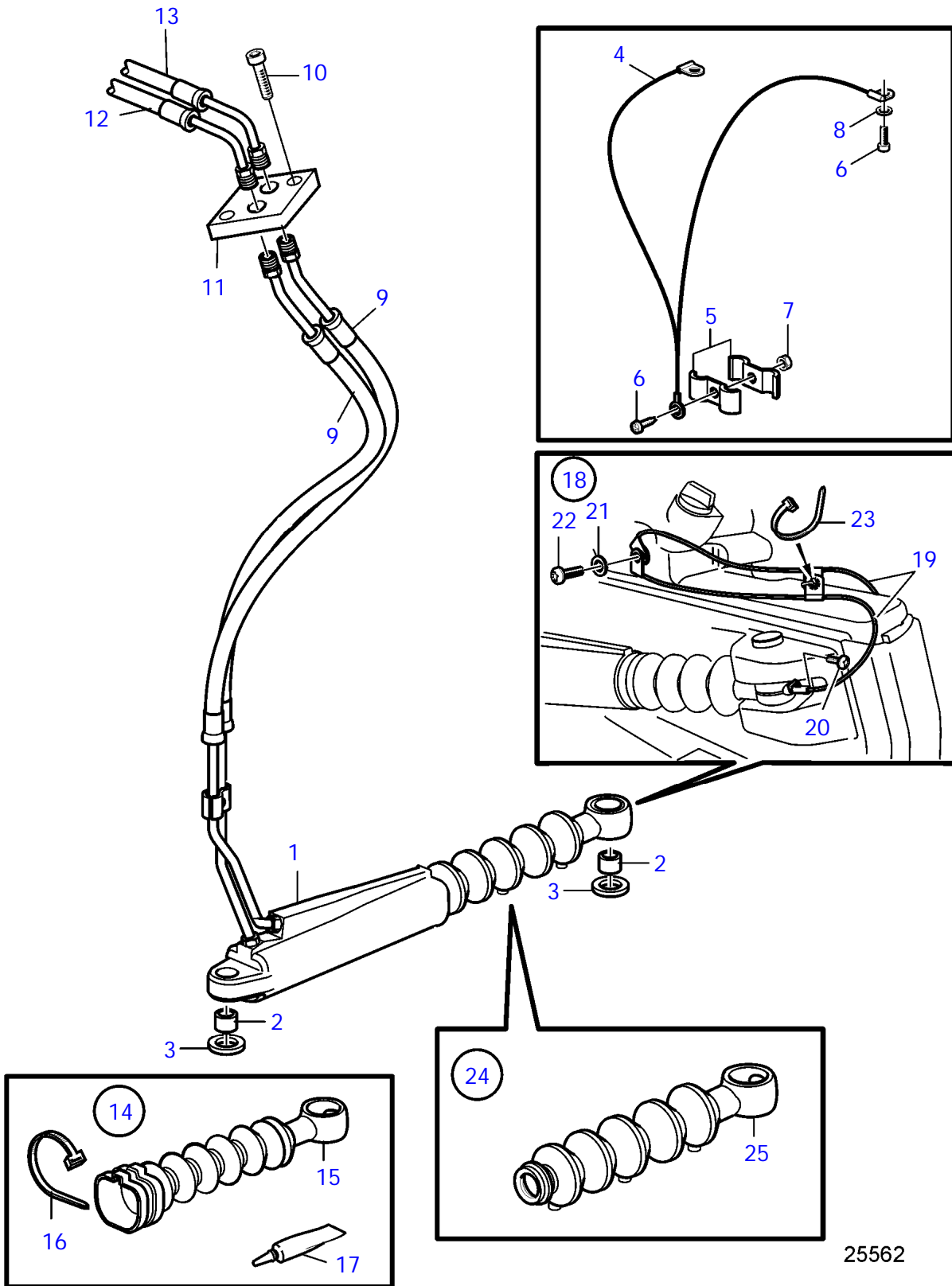


25561

DPH-A, DPH-B, DPR-A, DPR-B

REF	PART NO.	QTY	DESCRIPTION	SEE SEC.	NOTES
1	21526050	1	Steering cylinder		
2	21388920	2	Bushing		
3	3589516	2	Wear washer		(3863172)
4	889728	1	Ground cable		
5	984329	2	Clamp		
6	963675	2	Hex. socket screw		
7	944456	1	Hexagon nut		
8	940275	1	Washer		
9	3863222	1	Hose		
10	984379	1	Nipple		
11	3863223	1	Hydraulic hose		
12	984378	1	Nipple		
13	984376	2	Plug		
14	21548739	1	Hydraulic hose, kit		
			• Bulletin P-44-1-22	P-44-1-22-EN	Problem with Hydraulic Hoses for DPH/DPR Drives
15	925053	4	• O-ring		
16	3862321	1	Valve		
17	946541	2	Hex. socket screw		
18	3817652	1	Manifold		
19	963677	2	Hex. socket screw		
20	21132674	1	Bellows kit		
			• Bulletin P-44-1-15	P-44-1-15-EN	Anti Barnacle Bellow
21		2	• Bellows		
22	948211	2	• Cable tie		
23		2	• Adhesive		
24	21233764	1	Chassie ground cable		
25	21200067	2	• Cable		
26	993453	2	• Hex. socket screw		
27	941670	2	• Washer		
28	984298	2	• 6 point socket screw		
29	948211	1	• Cable tie		
30	21375755	1	Steering cylinder be		
31	3594036	2	• Bellows		

DPH-A, DPH-B, DPR-A, DPR-B

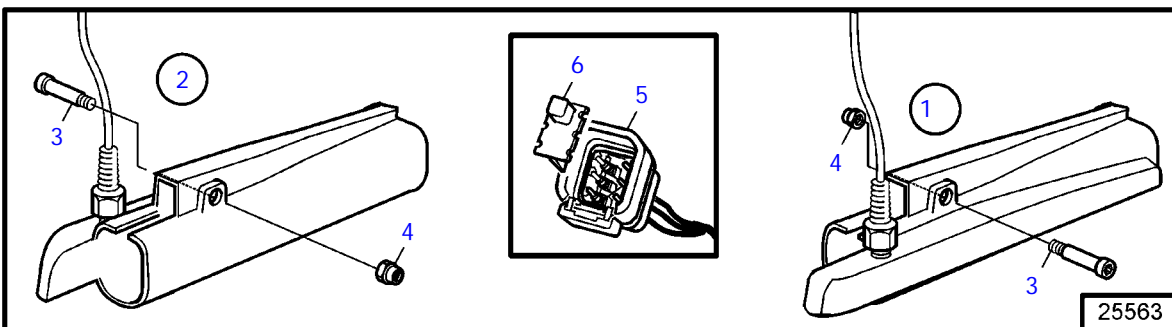
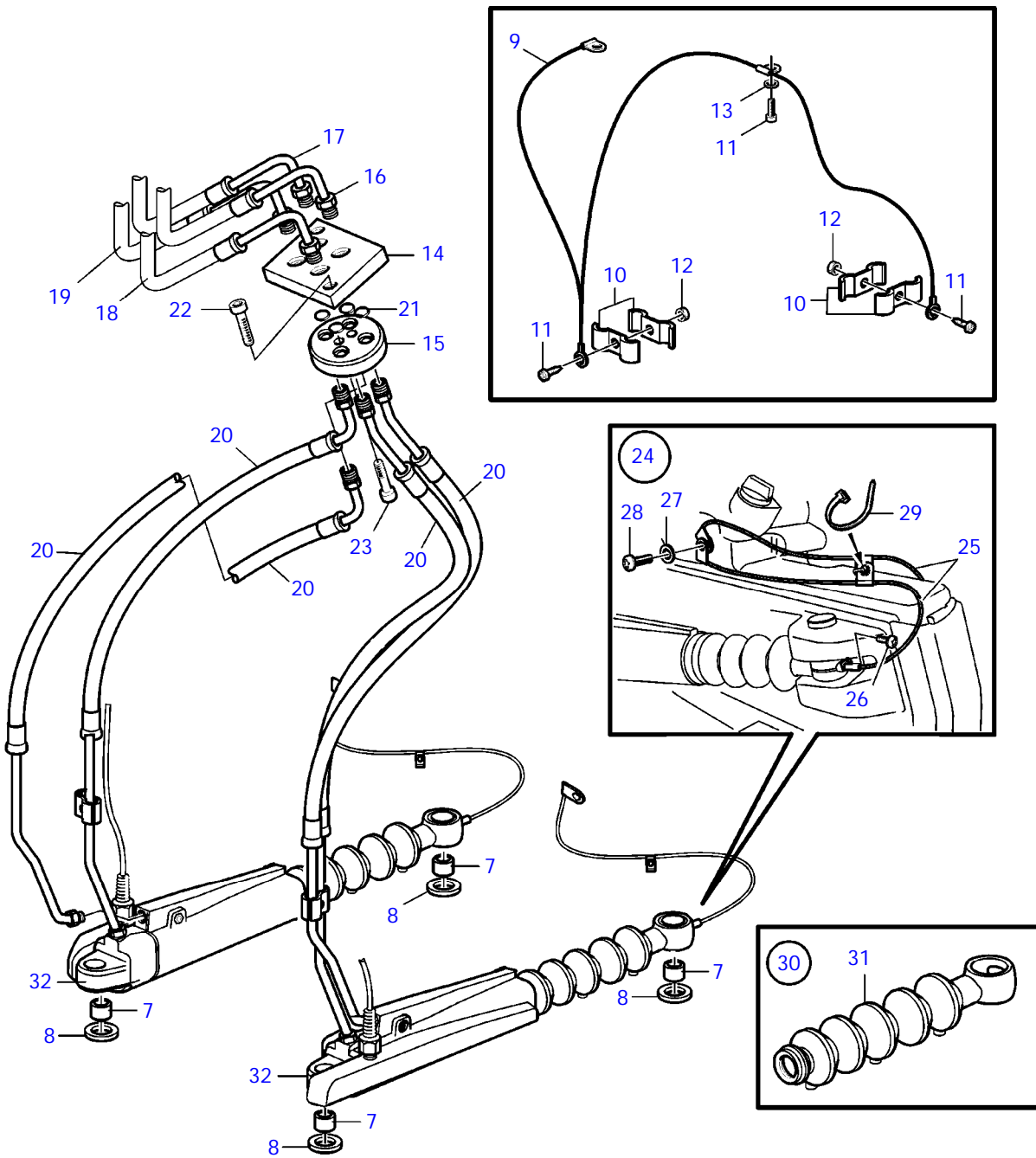


25562

DPH-A, DPH-B, DPR-A, DPR-B

REF	PART NO.	QTY	DESCRIPTION	SEE SEC.	NOTES
1	21526050	1	Steering cylinder		
2	21388920	2	Bushing		
3	3589516	2	Wear washer		(3863172)
4	889730	1	Ground cable		
5	984329	2	Clamp		
6	963675	2	Hex. socket screw		
7	944456	1	Hexagon nut		
8	940275	1	Washer		
9	21548739	1	Hydraulic hose, kit		
			• Bulletin P-44-1-22	P-44-1-22-EN	Problem with Hydraulic Hoses for DPH/DPR Drives
10	946541	2	Hex. socket screw		
11	3863236	1	Manifold		
12	888636	1	Hydraulic hose		
13	3863235	1	Hydraulic hose		
14	21132674	1	Bellows kit		
			• Bulletin P-44-1-15	P-44-1-15-EN	Anti Barnacle Bellow
15		2	• Bellows		
16	948211	2	• Cable tie		
17		2	• Adhesive		
18	21233764	1	Chassie ground cable		
19	21200067	2	• Cable		
20	993453	2	• Hex. socket screw		
21	941670	2	• Washer		
22	984298	2	• 6 point socket screw		
23	948211	1	• Cable tie		
24	21375755	1	Steering cylinder be		
25	3594036	2	• Bellows		

DPH-B

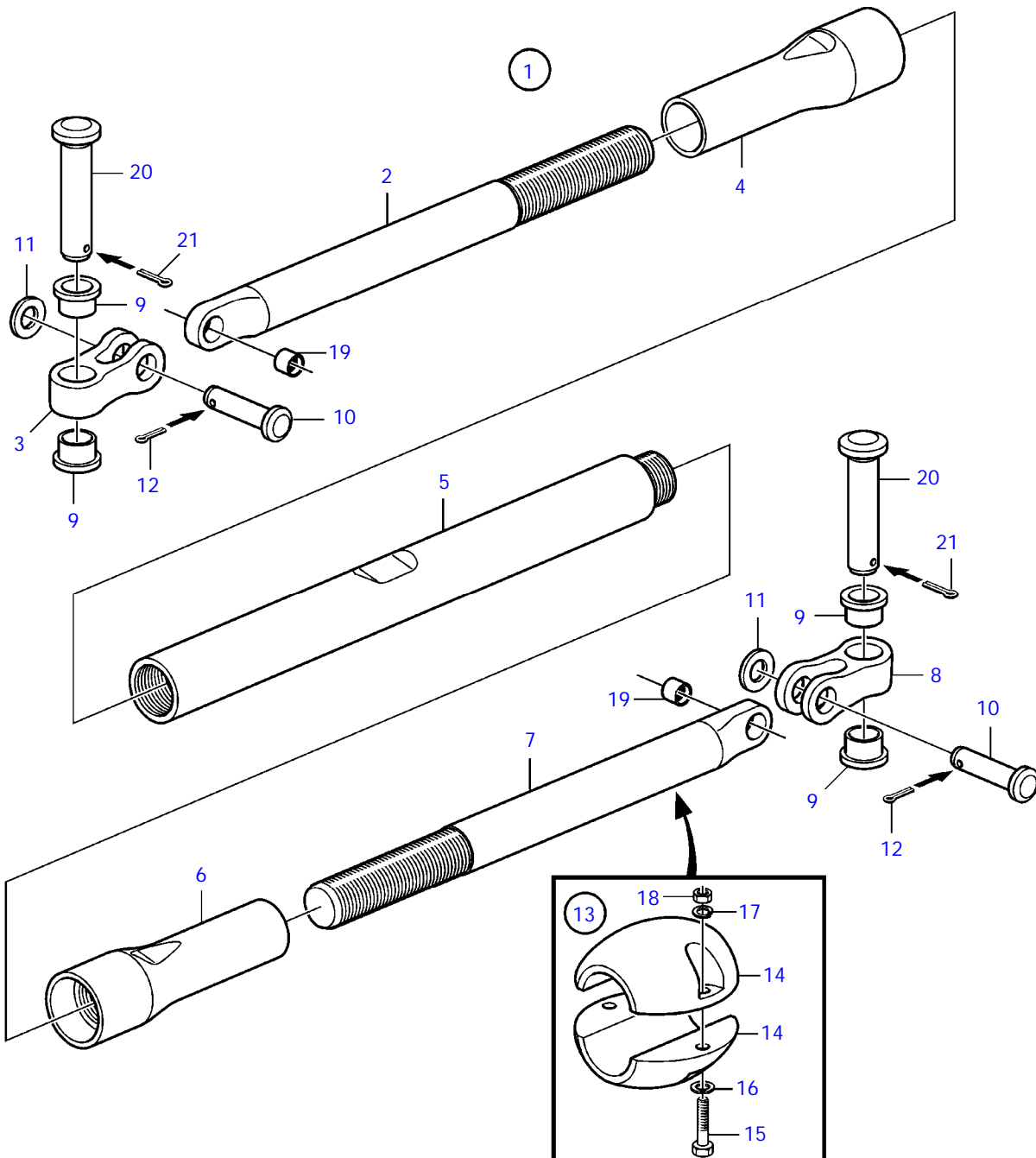


25563

DPH-B

REF	PART NO.	QTY	DESCRIPTION	SEE SEC.	NOTES
1	21375753	2	Sensor assembly port		Port
2	21375754	1	Sensor assembly star		Starboard
3	21299627	1	• Shoulder screw		
4	21299944	1	• Nut retainer		
5	874401	1	• Housing		
6	874403	1	• Wedge		
7	21388920	4	Bushing		
8	3589516	4	Wear washer		
9	889726	1	Ground cable		
10	984329	4	Clamp		
11	963675	3	Hex. socket screw		
12	944456	2	Hexagon nut		
13	940275	1	Washer		
14	3863236	1	Manifold		
15	3586766	1	Disc		
16	21254107	1	Hydraulic hose		
17	21254108	1	Hydraulic hose		
18	21249877	1	Hydraulic hose		
19	21254102	1	Hydraulic hose		
20	21548739	1	Hydraulic hose, kit		
			• Bulletin P-44-1-22	P-44-1-22-EN	Problem with Hydraulic Hoses for DPH/DPR Drives
21	925053	4	• O-ring		
22	946541	1	Hex. socket screw		
23	963677	1	Hex. socket screw		
24	21233764	1	Chassie ground cable		
25	21200067	2	• Cable		
26	993453	2	• Hex. socket screw		
27	941670	2	• Washer		
28	984298	2	• 6 point socket screw		
29	948211	1	• Cable tie		
30	21375755	1	Steering cylinder be		
31	3594036	2	• Bellows		
32	21559299	2	Steering cylinder		

DPH-A, DPH-B, DPR-A, DPR-B



19686

DPH-A, DPH-B, DPR-A, DPR-B

REF	PART NO.	QTY	DESCRIPTION	NOTES
1	3594638	1	Kit	CC engine 950-1030, (3863427)
	3594639	1	Kit	CC engine 1050-1240
2		1	• Tie rod	Part is not servicable and can not be re-used if disassembled.
3	3863381	1	• Split pin	
4		1	• Collar	Part is not servicable and can not be re-used if disassembled.
5		1	• Adjusting bar	Part is not servicable and can not be re-used if disassembled.
6	(3863383)	1	• Collar	Obsolete part
7		1	• Tie rod	Part is not servicable and can not be re-used if disassembled.
8	3863381	1	• Split pin	
9	3863385	4	• Bushing	
10	3863393	2	• Pin	
11	943194	2	• Washer	
12	967707	2	• Split pin	
13	3807400	1	• Anode	
14		2	• • Anode	Not sold separately
15		2	• • Screw	Not sold separately
16		2	• • Washer	Not sold separately
17		2	• • Lock washer	Not sold separately
18		2	• • Nut	Not sold separately
19	3889691	2	• Bushing	
20	3862188	2	Pin	
21	967707	2	Split pin	

DPH-A, DPH-B, DPR-A, DPR-B

REF	PART NO.	QTY	DESCRIPTION	NOTES
1	3589604	1	Gasket kit	Upper gear housing
	3862217	2	• Bushing	
	949659	1	• O-ring	
	3862248	2	• Thrust washer	
	21264883	4	• Pin	
	967707	4	• Split pin	
	955999	1	• O-ring	
	3862245	1	• Sealing ring	
	3862903	2	• Bushing	
	3862252	1	• Sealing ring	
	964114	1	• O-ring	
	3862365	1	• Retainer	
	3862247	1	• Retainer	
	1526474	1	• O-ring	
	3860364	1	• Screw	
	3863084	1	• Sealing ring	
	925259	1	• O-ring	
	3862378	1	• Washer	
	951936	1	• Spring pin	
	3863085	1	• Sealing ring	
	976044	1	• O-ring	
	17276	3	• Split pin	
2		1	Gasket kit	Lower gear unit, No kit offered

--

DESCRIPTION	SEE SEC.	NOTES
Drive Unit, Complete	21455	DPH-A, DPH-B
Drive Unit, Complete	21456	DPR-A, DPR-B
Water and Exhaust Block off Kits	6268	DPH-A, DPH-B, DPR-A, DPR-B
Exhaust Pipe and Cooling Water Pipe DPH/DPR Drive Unit	35258	DPH-A, DPH-B, DPR-A, DPR-B
Transom Shield: SINGLE	6264	DPH-A, DPR-A
Transom Shield: STARBOARD	6264B	DPH-A, DPR-A
Transom Shield: PORT	6264C	DPH-A, DPR-A
Transom Shield: SINGLE	7750	DPH-B, DPR-B
Transom Shield: STARBOARD	7750B	DPH-B, DPR-B
Transom Shield: PORT	7750C	DPH-B, DPR-B
Gimbal Ring	6265	DPH-A, DPH-B, DPR-A, DPR-B
Housing and Center Tube	6269	DPH-A, DPH-B
Housing and Center Tube	6779	DPR-A, DPR-B
U-Joint and Bearing Carrier: A	6270	DPH-A, DPH-B, DPR-A, DPR-B
U-Joint and Bearing Carrier: B	6270B	DPH-A, DPH-B, DPR-A, DPR-B
Upper Vertical Shaft	6271	DPH-A, DPH-B
Upper Vertical Shaft	6386	DPR-A, DPR-B
Drive Shaft and Bearing Housing	6307	DPH-A, DPH-B
Drive Shaft and Bearing Housing	6273	DPR-A, DPR-B
Shift Mechanism	6274	DPH-A, DPH-B, DPR-A, DPR-B
Extension Kit 1"	6396	DPH-A, DPH-B, DPR-A, DPR-B
Rudder Indicator Kit for Drive Units	35591	DPH-A, DPH-B
Jack Shaft Kit	21872	DPH-A, DPH-B, DPR-A, DPR-B
Trim Pump	6267	DPH-A, DPH-B, DPR-A, DPR-B
Trim Cylinders	6841	DPH-A, DPH-B, DPR-A, DPR-B
Propeller	8046	DPH-A, DPH-B
Propeller	8045	DPR-A, DPR-B



--

DESCRIPTION	SEE SEC.	NOTES
Sterndrive Joystick System	36002	DPH-B
Steering Cylinder. Single Installation	35804	DPH-A, DPH-B, DPR-A, DPR-B
Steering Cylinder. Starboard. Twin Installation	35808	DPH-A, DPH-B, DPR-A, DPR-B
Steering Cylinder. Port Side. Twin Installation	35809	DPH-A, DPH-B, DPR-A, DPR-B
Steering Cylinder. Electronic Steering Installation	35810	DPH-B
Tie Bar Kit	6315	DPH-A, DPH-B, DPR-A, DPR-B

--

DESCRIPTION	SEE SEC.	NOTES
Repair Kits	6883	DPH-A, DPH-B, DPR-A, DPR-B



REF	DESCRIPTION	SEE SEC.
44	Transmissions	44
64	Steering System	64
99	Repair Kits	99

