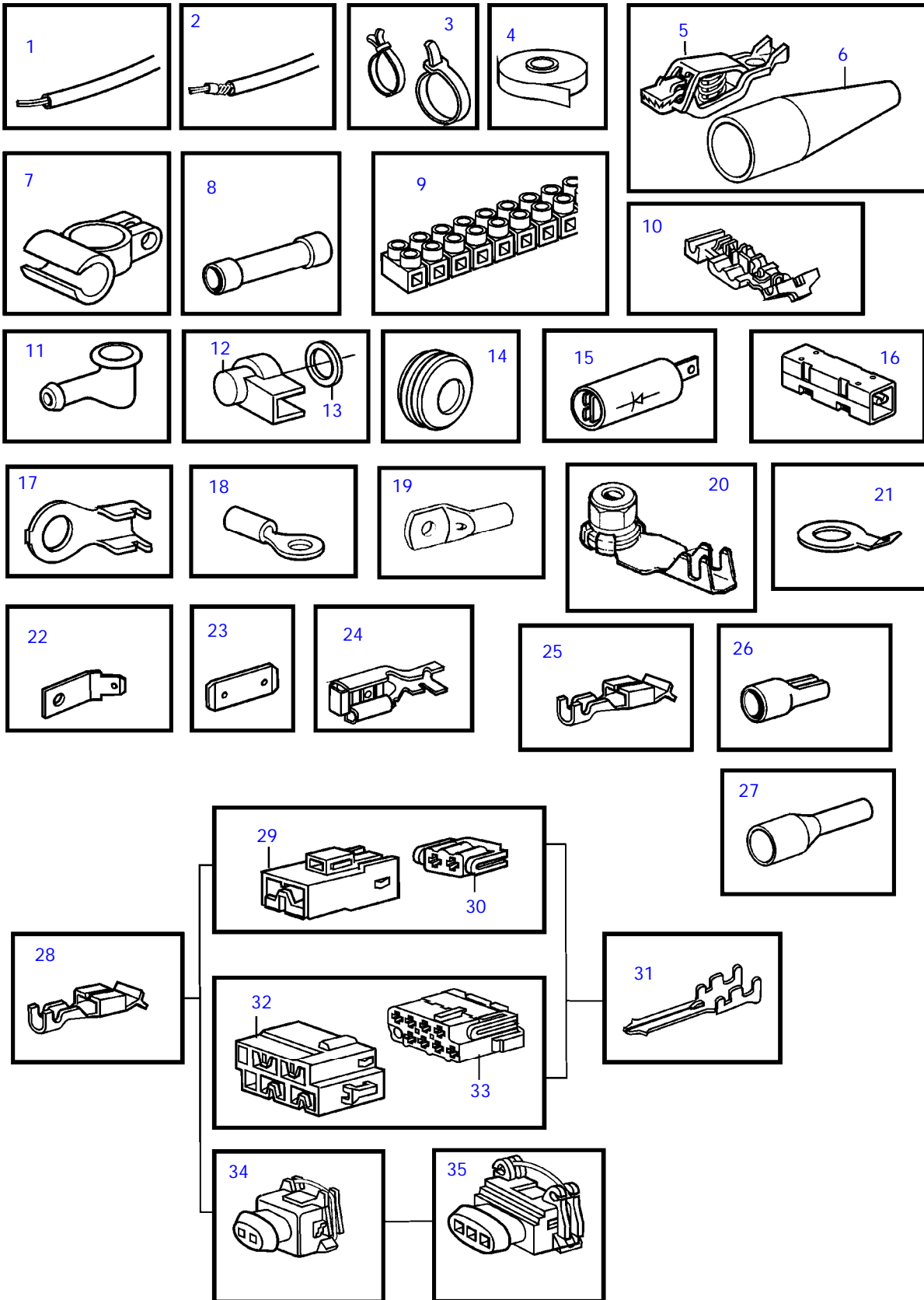


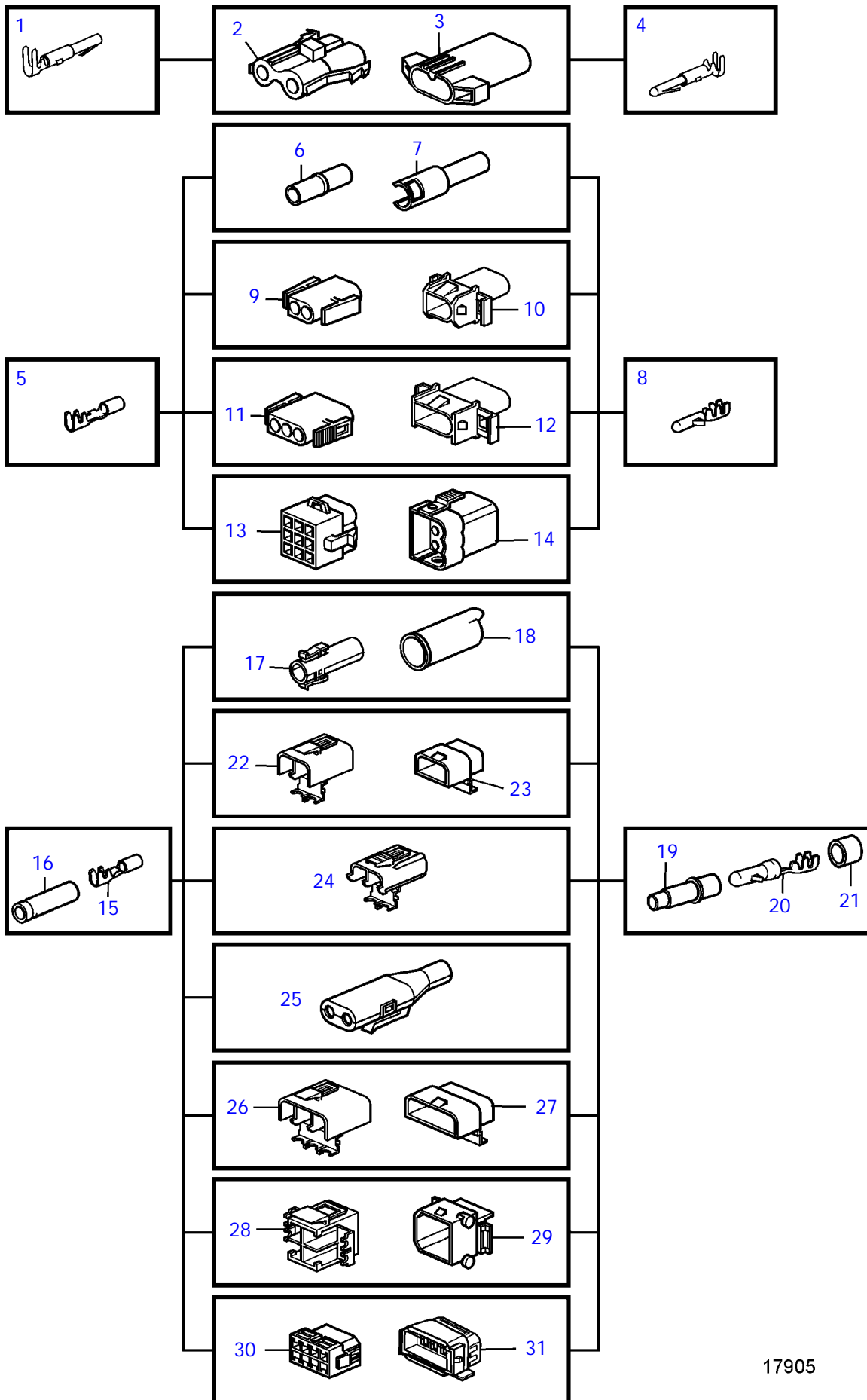
REF	PART NO.	DESCRIPTION	NOTES
1	973150	Cable terminal	6,3x0,8x1,1-2,5sq.mm
	949206	Cable terminal	6,3x0,8x4,0-6,0sq.mm
2	948856	Receptacle housing	6,3x4 NATURAL
3	948855	Tab housing	6,3x4 NATURAL
4	973117	Cable terminal	6,3x0,8x0,5-1,0mm <sup>2</sup>
	881487	Cable terminal	6,3x0,8x0,75-2,5sq.mm
	881488	Cable terminal	6,3x0,8x4,0-6,0sq.mm
5	945830	Receptacle housing	6,3x11 NATURAL
6	945831	Tab housing	6,3x11 NATURAL
7	958210	Receptacle housing	6,3x2 BLACK
8	958209	Tab housing	6,3x2 BLACK
9	944076	Receptacle housing	6,3x8 NATURAL
10	948857	Tab housing	6,3x8 NATURAL
11	977184	Tab housing	6,3x5x4,8/2,8x4
12	1214948	Receptacle housing	6,3x5 BLACK
13	945469	Receptacle housing	6,3x3 BLACK
14	1578937	Receptacle housing	6,3x2 NATURAL
15	828624	Receptacle housing	6,3x6
16	958207	Tab housing	6,3x1 BLACK
17	949405	Cable terminal	4,8x1,1-2,5sq.mm
18	947848	Receptacle housing	4,8x1 NATURAL
19	944077	Housing	6,3x8 NATURAL
20	881483	Cable terminal	6,3x0,8x1,1-2,5sq.mm
	881484	Cable terminal	6,3x0,8x4,0-6,0sq.mm
21	949597	Housing	6,3x1 NATURAL
	943511	Receptacle housing	6,3x1 NATURAL
22	881489	Cable terminal	6,3x0,8x1,1-2,5
23	944221	Receptacle housing	6,3x1 NATURAL



18567

REF	PART NO.	DESCRIPTION	NOTES
1	970624	Cable, type RK	1,5sq.mm, BLACK
	970626	Cable, type RK	1,5sq.mm, RED
	970661	Cable, type R2	1,5sq.mm, RED
	970663	Cable, type R2	2,5sq.mm, BLACK
	970698	Cable, type R2	2,5sq.mm, RED
	970700	Cable, type RK	4,0sq.mm, BLACK
		Cable, type RK	6,0sq.mm, BLACK
	970711	Cable, type R2	6,0sq.mm, RED
	954485	Cable, type RK	16,0sq.mm, RED
	954500	Cable, type RK	25,0sq.mm, RED
	954502	Cable, type RK	35,0sq.mm, RED
2	874854	Cable	Non reinforced ship cable approved by classification societies., 2x1,5sq.mm
	863657	Cable	Reinforced ship cable approved by classification societies., 4,0sq.mm, RED
	874855	Cable	Non reinforced ship cable approved by classification societies., 2x2,5sq.mm
	842092	Cable	Non reinforced ship cable approved by classification societies., 3x1,5sq.mm
	874858	Cable	Non reinforced ship cable approved by classification societies., 6,0sq.mm, BLACK
		Cable	Non reinforced ship cable approved by classification societies., 16,0sq.mm, RED
	874861	Cable	Non reinforced ship cable approved by classification societies., 25,0sq.mm, RED
	874862	Cable	Non reinforced ship cable approved by classification societies., 35,0sq.mm, RED
	846639	Cable	Non reinforced ship cable approved by classification societies., 2x1,5sq.mm
	874870	Cable	Non reinforced ship cable approved by classification societies., 2x1,5sq.mm
	872679	Wiring harness	(846346)
	872939	Adapter	(846346)
	874346	Cable	Reinforced ship cable approved by classification societies., RFOU 0,6/1kv
3	948211	Strip clamp	3x1,5sq.mm
	949666	Strip clamp, with mount. hole	3x4,0sq.mm
	948616	Strip clamp	3x6,0sq.mm
	862832	Strip clamp, steel	4x1,5sq.mm
4	858283	Electrical tape	4x2,5sq.mm
5	844280	Cable terminal, battery cable +pole	16x1,5sq.mm
6		Isolator	Red
		Isolator	BLACK
7	954505	Cable terminal, battery cable -pole	D=77mm L=280mm
	954506	Cable terminal, battery cable +pole	D=42mm L=170mm
8	956956	Splice	D=102mm L=362mm
	956958	Splice	1,5-2,5sq.mm, BLUE
	956960	Splice	L=61mm
9	926219	Coupling piece	BLACK
10	944306	Clamp	BLUE
11	829200	Protective cap	0,5-1,0sq.mm, RED
12	1234326	Protective cap	1,5-2,5sq.mm, BLUE
13	960140	Washer	3-6sq.mm, YELLOW
14	941269	Cable grommet	MAX 20sq.mm, 12-POLE
	821053	Rubber bushing	I.D=35mm
	943920	Protecting plug	I.D=40mm
15	20382270	Diode	
16	20382270	Diode	
17	970788	Cable terminal	M5x1,1-2,5sq.mm
	970789	Cable terminal	M6x1,1-2,5sq.mm
		Cable terminal	M10x1,1-2,5sq.mm
18	881492	Cable terminal	M4x1,1-2,5sq.mm
	881493	Cable terminal	M5x1,1-2,5sq.mm
	881508	Cable terminal	M6x1,1-2,5sq.mm
	881494	Cable terminal	M8x1,1-2,5sq.mm

REF	PART NO.	DESCRIPTION	NOTES
	881504	Cable terminal	M10x1,1-2,5sq.mm
	881506	Cable terminal	M4x2,6-6,0sq.mm
	881495	Cable terminal	M5x2,6-6,0sq.mm
	881496	Cable terminal	M6x2,6-6,0sq.mm
	881497	Cable terminal	M8x2,6-6,0sq.mm
	881498	Cable terminal	M10x2,6-6,0sq.mm
	940331	Cable terminal	M5x6,1-10,0sq.mm
	940332	Cable terminal	M6x6,1-10,0sq.mm
	940333	Cable terminal	M8x6,1-10,0sq.mm
		Cable terminal	M10x6,1-10,0sq.mm
	881512	Cable terminal	M5x10,1-16,0sq.mm
	940335	Cable terminal	M6x10,1-16,0sq.mm
	940336	Cable terminal	M8x10,1-16,0sq.mm
	940337	Cable terminal	M10x10,1-16,0sq.mm
19	949587	Cable terminal	M10x10mm2
20	8140576	Nut	M4
21	865758	Cable terminal	I.D=12,5 D=23mm
22	944485	Spade terminal	6,3xM5x180
23	839328	Spade terminal	16,3x6,3x0,8
24	881491	Cable terminal	6,3x0,75-2,1sq.mm
25	853015	Cable terminal	For trim instrument., FOR 853866, YASAKI
26	942429	Cable terminal	FOR 853866, YASAKI
27	3829867	Cable terminal	
	3829868	Cable terminal	
28	970777	Cable terminal	
29	968377	Housing	2,8x2 NATURAL
	968379	Housing	2,8x2 GRAY
30	968376	Housing	4,8/2,8x2 NATURAL
	968378	Housing	4,8/2,8x2 GRAY
31	974313	Cable terminal	2,8x0,8x1,1-2,5sq.mm
32	968401	Housing	2,8x8 NATURAL
33	968400	Housing	4,8/2,8x8 NATURAL
34	976256	Switch	2-POLE
35	967713	Housing	3-pole

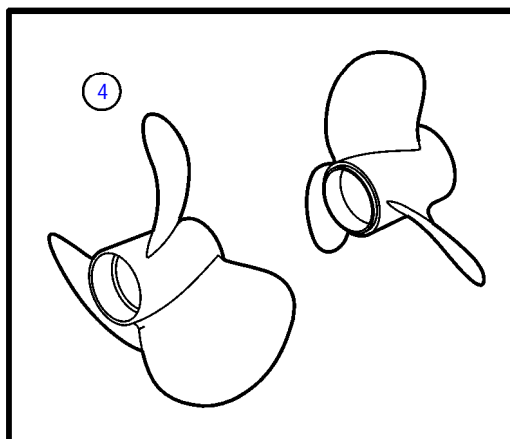
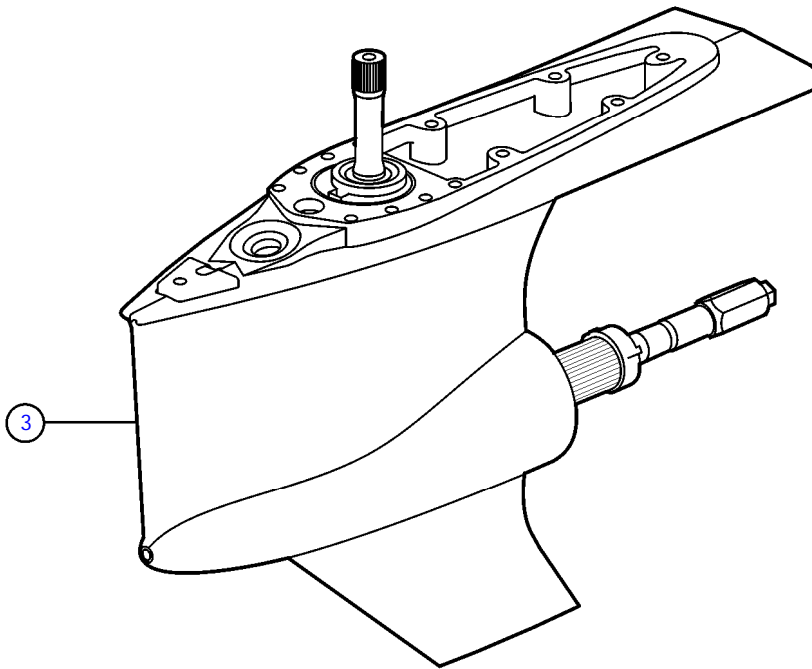
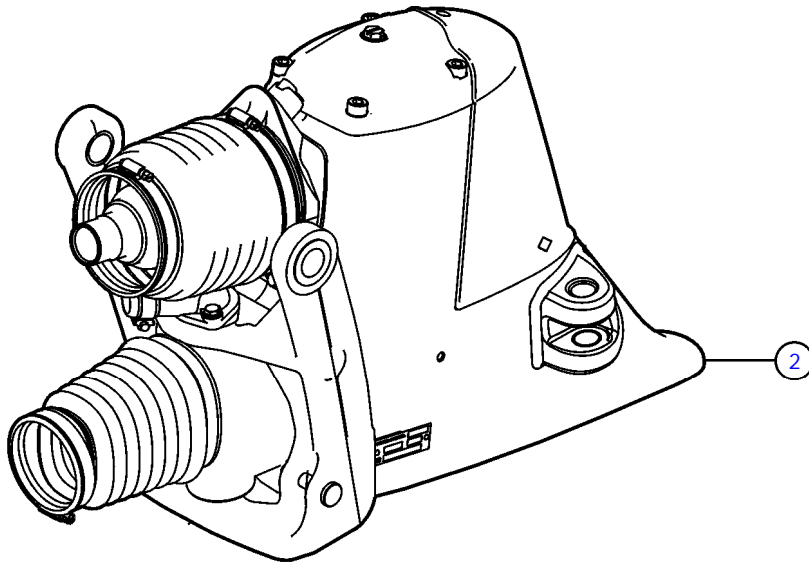


17905

REF	PART NO.	DESCRIPTION	NOTES
1	946038	Cable terminal	2,1x0,5-1mm <sup>2</sup>
2	944224	Receptacle housing	2-POLE
3	944223	Receptacle housing	2-POLE
4		Cable terminal	Not marketed by Volvo Penta., 2,1x0,5-1mm <sup>2</sup>
5	965822	Cable terminal	3,5x1,1-2,5sq.mm
	948289	Cable terminal	3,5x2,5-4,0sq.mm
6	949584	Insulator	3,5x1 NATURAL
7	949583	Insulator	3,5x1 NATURAL
8	969831	Cable terminal	3,5x0,5-1mm <sup>2</sup>
	965824	Cable terminal	3,5x1,1-2,5sq.mm
	965825	Cable terminal	3,5x2,6-4,0sq.mm
9	948996	Receptacle housing	3,5x2 NATURAL
10	948995	Tab housing	3,5x2 NATURAL
11	948296	Housing	3,5x3 NATURAL
12	948297	Insulator	3,5x3 NATURAL
13	948294	Receptacle housing	3,5x9 NATURAL
14	948295	Tab housing	3,5x9 NATURAL
15	949371	Cable terminal	3,5x0,75-1,5mm <sup>2</sup>
	1598753	Isolator	3,5x2,5-4,5sq.mm
16	1598753	Isolator	
17	1307035	Insulator	1-POLE
18	1308436	Insulator	1-POLE
19	1608765	Isolator	
20	965824	Cable terminal	3,5x2,5-4,5sq.mm
21	1608766	Seal	
22	1307048	Receptacle housing	2-POLE
23	1307049	Tab housing	2-POLE
24	970753	Receptacle housing	2-POLE
25	1624477	Switch	2-POLE
26	1259828	Housing	3-pole
27	3523442	Housing	3-POLIG (1259829)
28	1259830	Receptacle housing	4-POLE
29	1259831	Housing	4-POLE
30	966812	Receptacle housing	8-POLE
31	967809	Pin housing	8-POLE

DPX-A

1



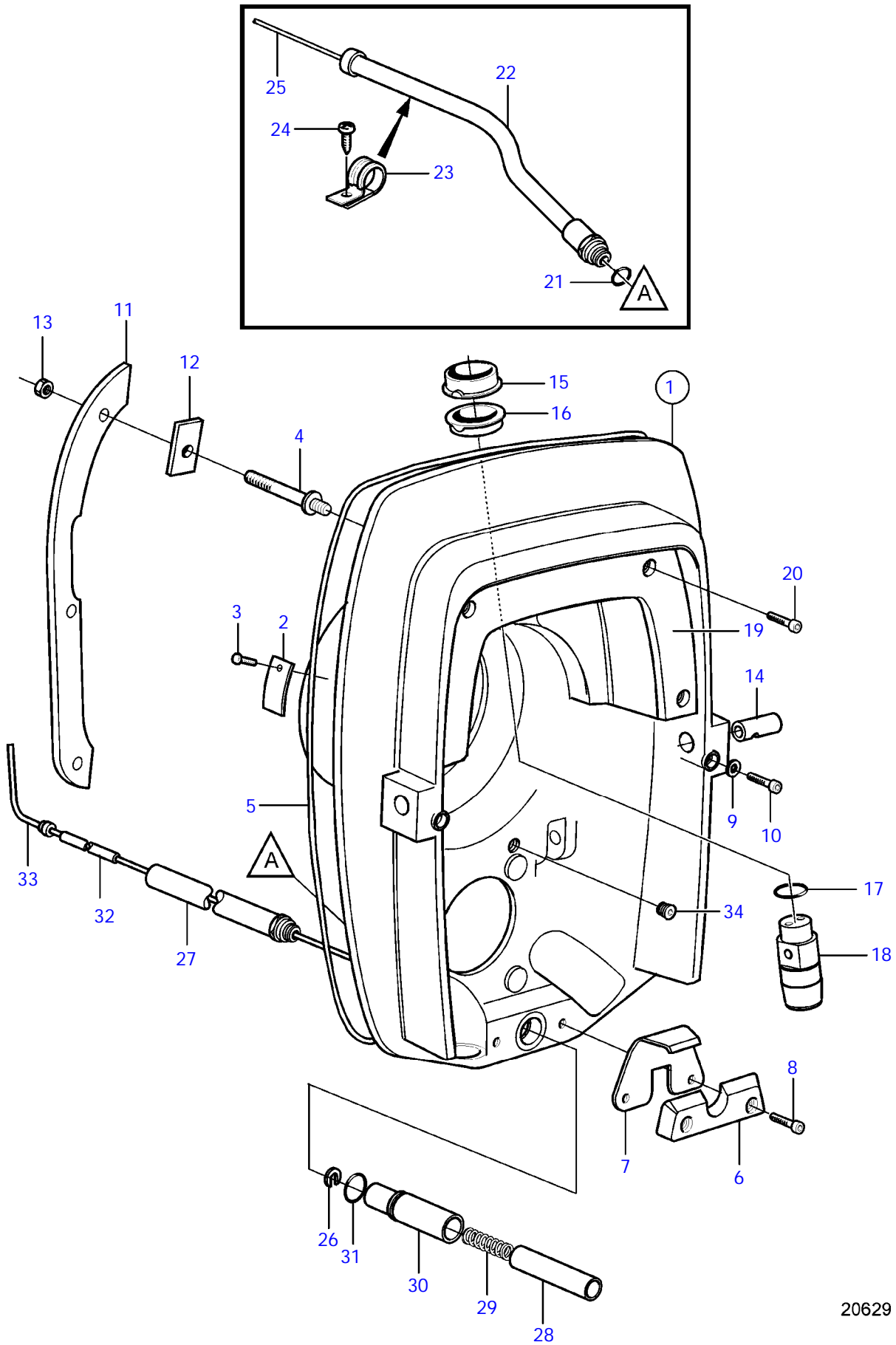
20598



<b>DPX-A</b>
--------------

REF	PART NO.	QTY	DESCRIPTION	SEE SEC.	NOTES
1	3869041	1	Aq-drive		1.47:1
	3869043	1	Aq-drive		1.59:1
	3869044	1	Aq-drive		1.68:1
	3869045	1	Aq-drive		1.78:1
2	3860351	1	• Upper gear unit		
		1	• • Universal joint	7630	
		1	• • Shaft, vertical	7324	
		1	• • Shift mechanism	4798	
		1	• • Fork, hook up	7331	
3	3860238	1	• Gear housing, lower	7337	1.47:1
	3860240	1	• Gear housing, lower	7337	1.59:1
	3860241	1	• Gear under, lower	7337	1.68:1
	3860242	1	• Gear housing, lower	7337	1.78:1
		1	• • Gear housing, lower	7337	
		1	• • Shaft, vertical	7340	
		1	• • Propeller shaft	7343	
4		X	Propeller, stainless steel	4838	

DPX-A

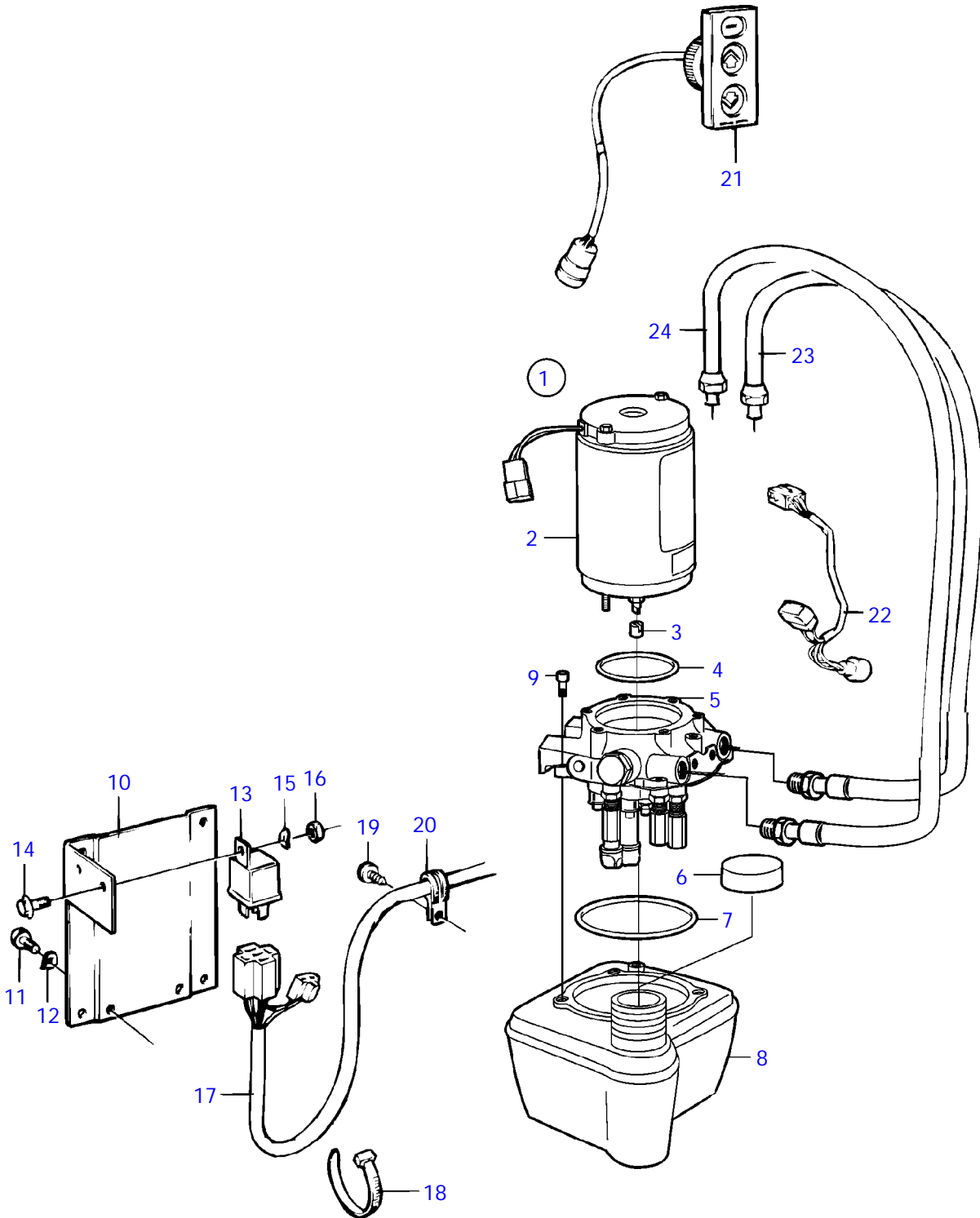


20629

DPX-A

REF	PART NO.	QTY	DESCRIPTION	NOTES
1		1	Shield	
2	853706	1	Type plate	
3	804269	2	Rivet	
4	873316	6	Stud	
5	852868	X	Sealing strip	L=1750mm
6	872139	1	Zinc anod	
7	3862171	1	Bracket	
8	946541	2	Screw	
9	941670	2	Washer	
10	963699	2	Screw	
11	3856370	1	Reinforcing plate	Port
	3856370	1	Reinforcing plate	Gas, Starboard
	3858672	1	Reinforcing plate	Diesel, Starboard
12	852866	1	Washer	Diesel, Starboard, Lower
13	963108	6	Nut	
14	872493	2	Pin	
15	854705	1	Bushing	
16	854704	1	Bushing	
17	977313	1	Sealing ring	
18	872956	1	Grommet	
19	3860394	1	Inner cover	
20	873188	4	Screw	
21	897745	1	Gasket	
22	839091	1	Hose	
23	952635	1	Clamp	
24	955512	1	Screw	
25		X	Control cable	
26	872962	1	Washer	
27	872669	1	Protecting hose	
28	872667	1	Piston	
29	872668	1	Spring	
30	873246	1	Pipe	
31	979668	1	• O-ring	
32	961662	1	Clamp	
33		X	Control cable	
34	853215	2	Plug	

DPX-A

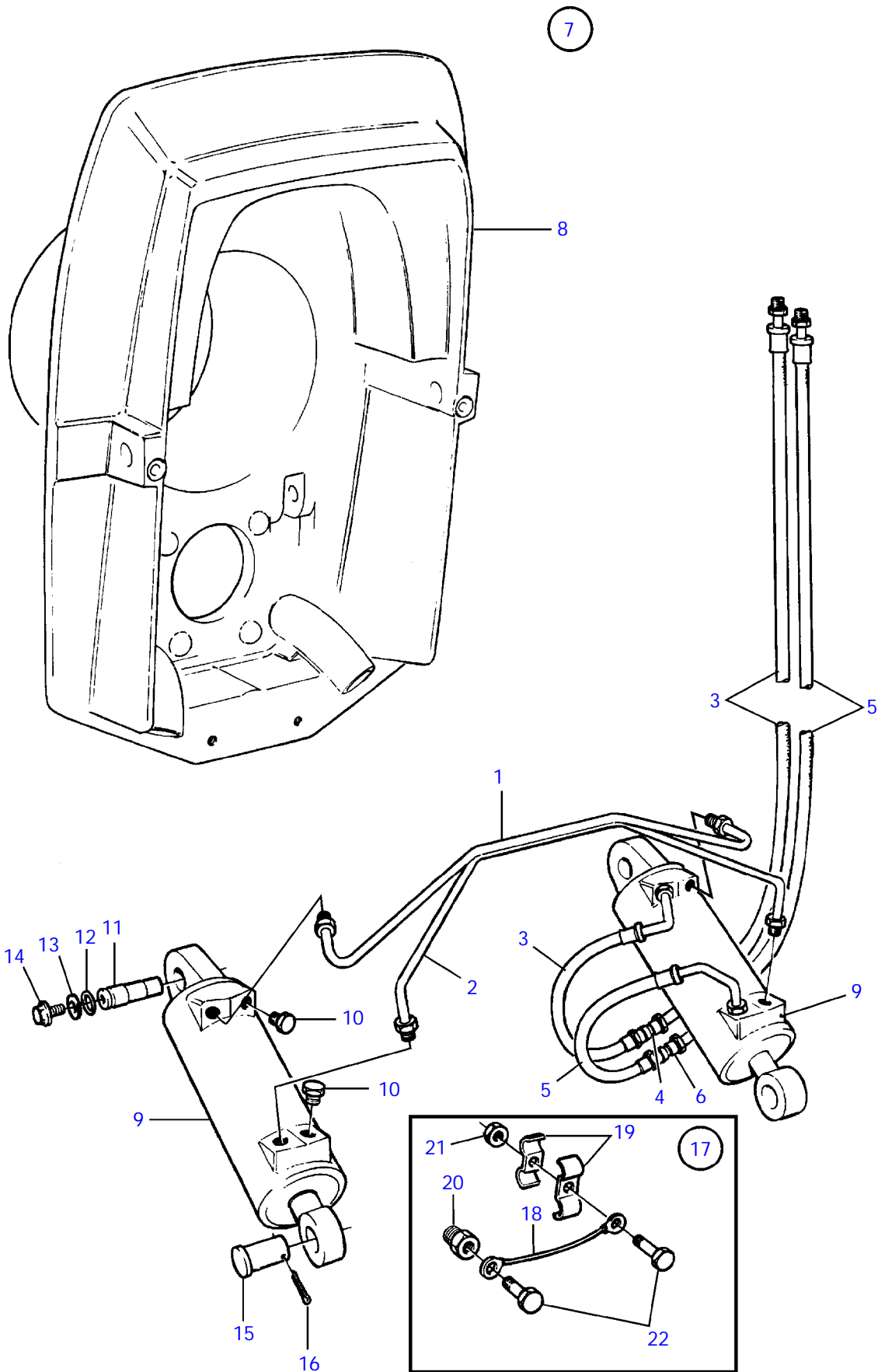


20870

DPX-A

REF	PART NO.	QTY	DESCRIPTION	SEE SEC.	NOTES
1	3860880	1	Pump		
2	3861576	1	• Electrical motor		
3	3861577	1	• Connector		
4	3861578	1	• O-ring		
5		1	• Valve body		NOT SERVICED
6	3861572	1	• Cap		
7	3861573	1	• O-ring		
8	3861570	1	• Reservoir		
9	3861574	4	• Screw		
10	854438	1	Bracket		
11	970945	2	Screw		
12	941908	2	Spring washer		
13	854357	2	Relay		
14	948663	2	Screw		
15	941905	2	Spring washer		
16	955780	2	Nut		
17	872448	1	Cable kit		
18	948211	1	Strip clamp		
19	968476	4	Flange screw		
20	952630	4	Clamp		
21	3855650	1	Control panel		
22		1	Cable harness		SEE GROUP 30
23	3860029	1	Hydraulic hose	7625	
24	3860030	1	Hydraulic hose	7625	

DPX-A



18702

Upd:2008-06-27

18702

7744370-44-7625

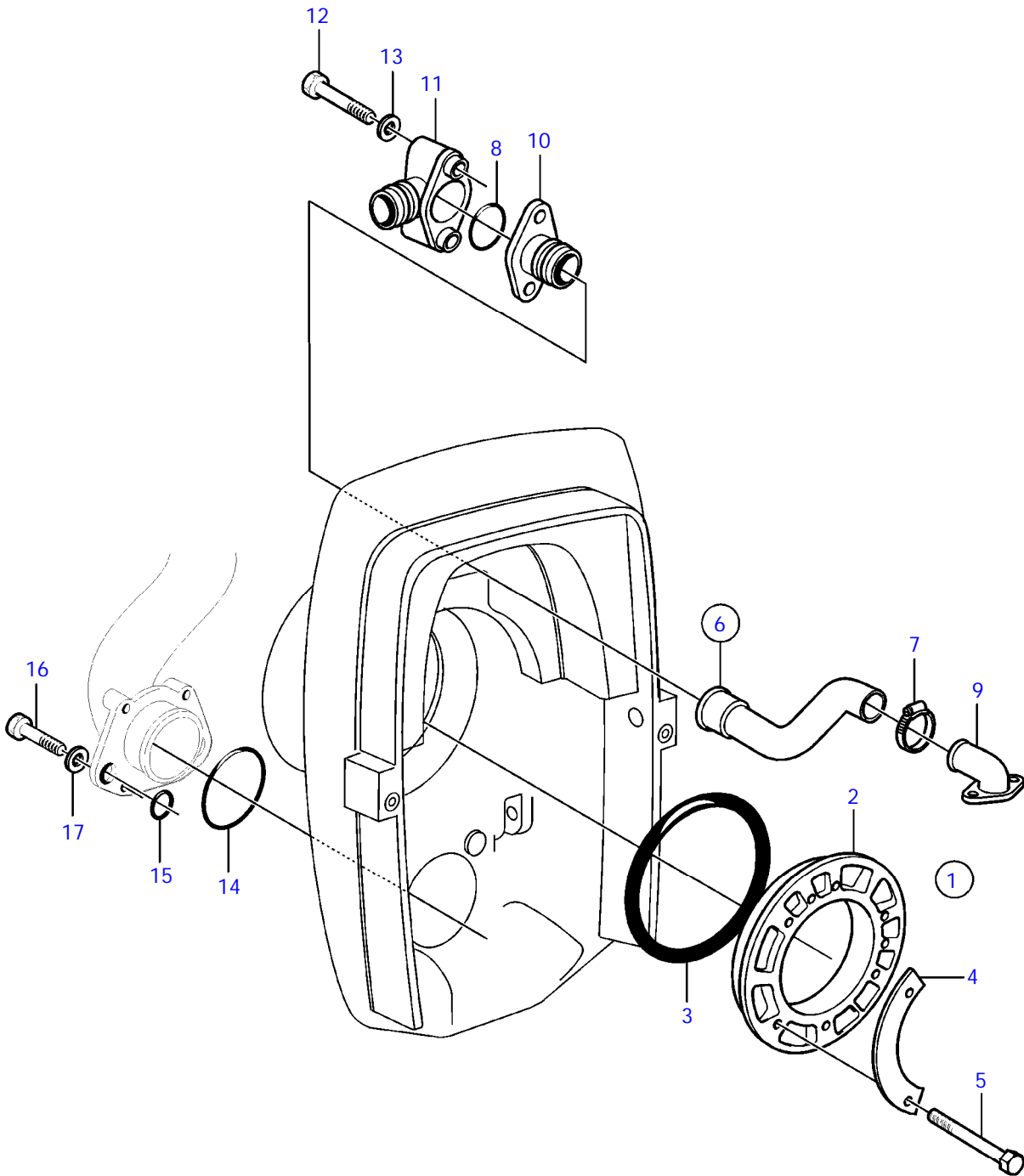


DPX-A

DPX-A

REF	PART NO.	QTY	DESCRIPTION	NOTES
1	854696	1	Tube	
2	854697	1	Tube	
3	3860029	1	Hydraulic hose	
4	960214	1	• O-ring	
5	3860030	1	Hydraulic hose	
6	960214	1	• O-ring	
7		1	Transom shield	see Transom Shield page
8		1	• Shield	
9	3860881	2	Trimming cylinder	
10	852879	2	• Plug	
11	872382	2	Pin	
12	925053	2	O-ring	
13	853059	2	Washer	
14	853060	2	Flange screw	
15	872126	2	Clevis pin	
16	967707	2	Cotter pin	
17	854625	1	Ground cable, assy.	
18		1	• Ground cable	
19	854628	2	• Clamp	
20	872207	1	• Nipple	
21	944456	1	• Nut	
22	963545	2	• Screw	

DPX-A



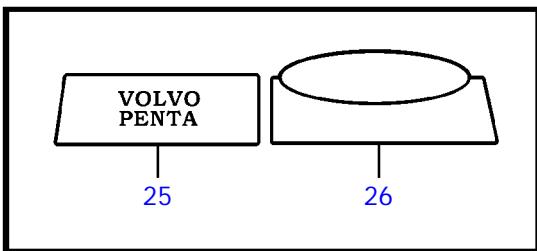
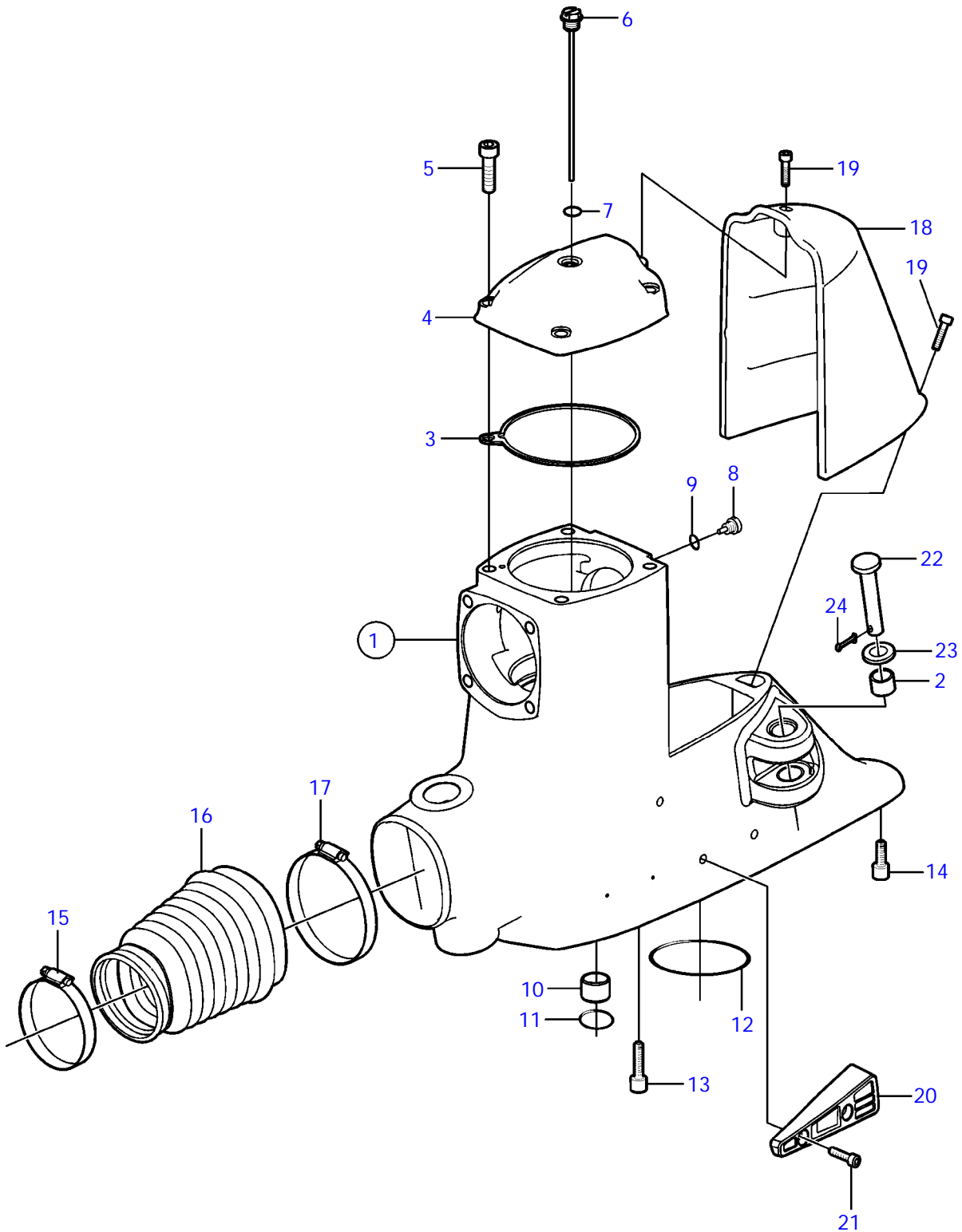
20871



DPX-A

REF	PART NO.	QTY	DESCRIPTION	NOTES
1		1	Clamping ring kit	See catalog for engine.
2		1	• Clamping ring	See catalog for engine.
3		2	• Ring	See catalog for engine.
4	806624	3	• Striker plate	
5	191844	6	• Screw	
6	876632	1	Hose kit	
7	853548	1	• Hose clamp	
8	925064	1	• O-ring	
9	872752	1	Hose connection	
10	872334	1	Nipple	
11	872338	1	Hose nipple	
12	955516	2	Screw	
13	955893	2	Washer	
14	925256	1	O-ring	
15	925064	2	O-ring	
16		4	Flange screw	See catalog for engine.
17		4	Washer	See catalog for engine.

DPX-A

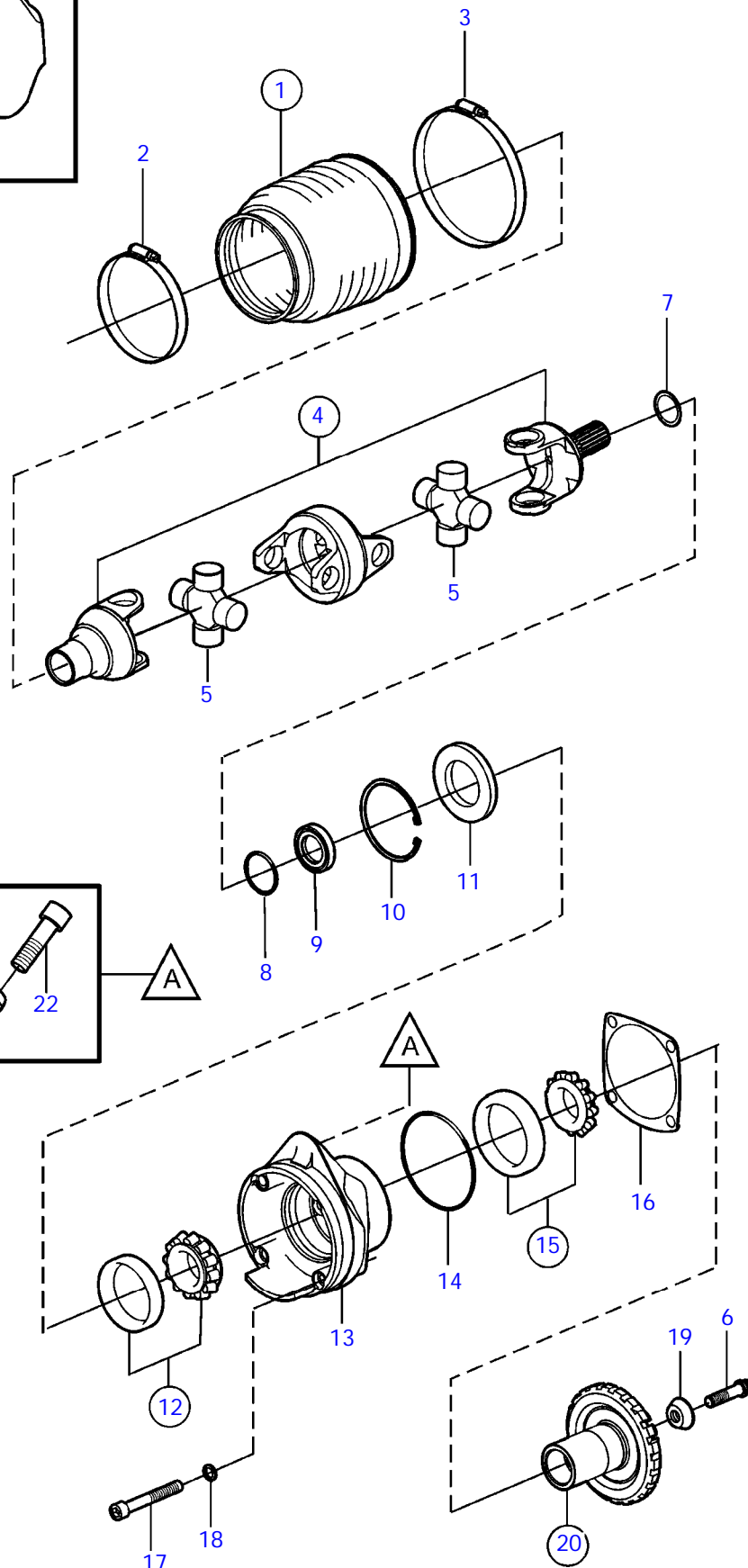
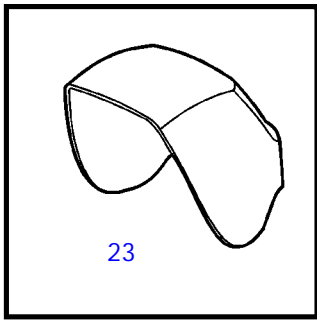


20600

DPX-A

REF	PART NO.	QTY	DESCRIPTION	NOTES
1		1	Gear housing, upper	
2	873109	4	• Bushing	
3	3860183	1	Gasket	
4	3860177	1	Cover	
5	984073	4	Screw	
6	3854847	1	Oil dipstick	
7	3852045	1	O-ring	
8	3854539	1	Plug	
9	3855081	1	• O-ring	
10	872986	1	Sleeve	
11	125017	1	O-ring	
12	925256	1	O-ring	
13	984074	12	Screw	
14	984073	1	Screw	
15	872531	1	Hose clamp	
16	3860384	1	Bellows, exhaust	
17	853012	1	Hose clamp	
18	3860149	1	Cover	
19	963685	2	Allen head screw	
20	3860190	1	Zinc anod	PORT
	3860194	1	Zinc anod	STARBOARD
21	963687	4	Screw	
22	3851604	2	Clevis pin	
23	873352	4	Washer	
24	979874	2	Cotter pin	
25	3860843	1	Decal	PORT VP
	3860844	1	Decal	STARBOARD VP
26	3861426	1	Decal	PORT DPX
	3861427	1	Decal	STARBOARD DPX

DPX-A

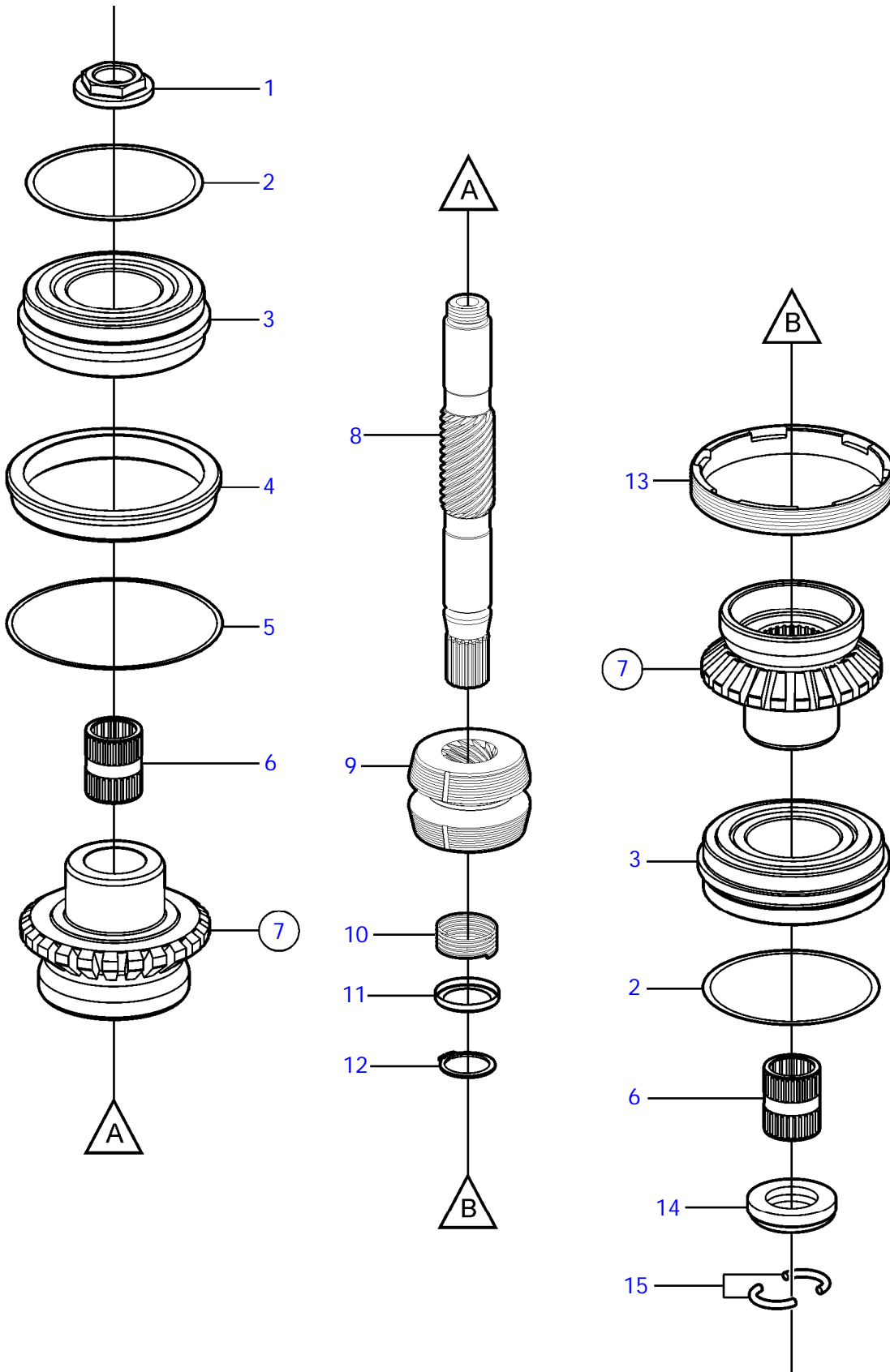


20873

DPX-A

REF	PART NO.	QTY	DESCRIPTION	SEE SEC.	NOTES
1	876294	1	Bellows kit		
			• Bulletin P-44-1-11	P-44-1-11-EN	DPH/DPR U-Joint Bellows
2	853012	1	• Hose clamp		
3	853013	1	• Hose clamp		
4	3860230	1	Universal joint		
			• Bulletin P-44-1-5	P-44-1-5-EN	U-joints
5	3860232	2	• Spider		
6	3860364	1	• Screw		
7	943871	X	Shim		TH=0.05mm
	943872	X	Shim		TH=0.10mm
	943873	X	Shim		TH=0.20mm
8	956000	1	O-ring		
9	832675	1	Washer		
10	914538	1	Lock ring		
11	839253	1	Sealing ring		
12	183247	1	Bearing		
13	3857144	1	Bearing housing		
14	925095	1	O-ring		
15	3850852	1	Bearing		
16	853034	X	Shim		TH=0.10mm
	853035	X	Shim		TH=0.15mm
	853036	X	Shim		TH=0.35mm
17	984068	4	Screw		
18	942598	4	Washer		
19	853026	1	Washer		
20	3861685	1	Gear set		
21	852705	1	Pivot pin		
22	941807	2	Screw		
23	3860292	1	Cover		

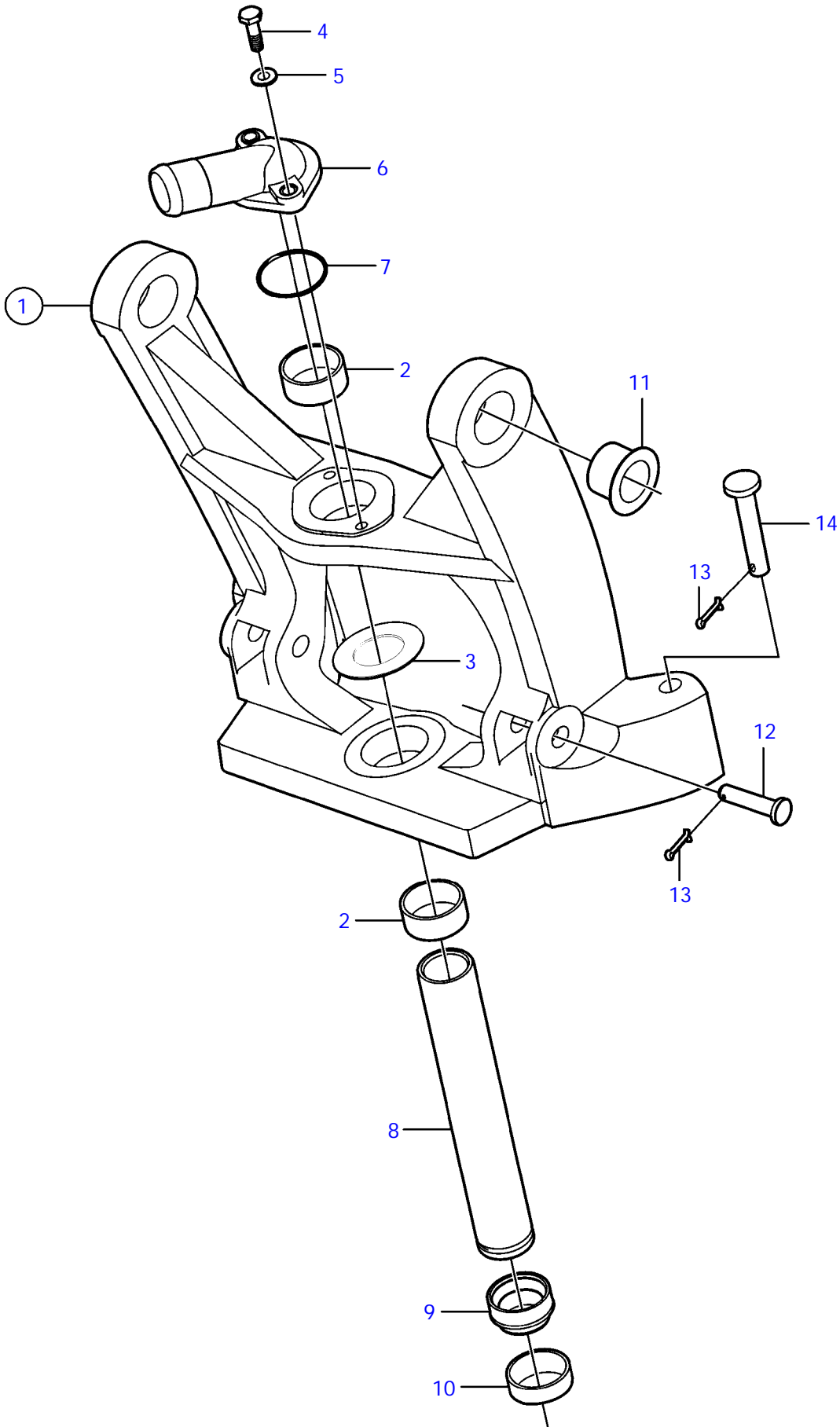
DPX-A



DPX-A

REF	PART NO.	QTY	DESCRIPTION	NOTES
1	3852301	X	Nut	H=0,0mm
	3852302	X	Nut	H=0,2mm
	3852303	X	Nut	H=0,4mm
	3852375	X	Nut	H=0,6mm
2	941826	X	Shim	TH=0.05mm
	941827	X	Shim	TH=0.20mm
	948230	X	Shim	TH=0.35mm
3	3857176	2	Bearing kit	
4	3852269	1	Support ring	
5	3852363	X	Shim	TH=0.002"
	3852364	X	Shim	TH=0.003"
	3852365	X	Shim	TH=0.004"
	3852366	X	Shim	TH=0.005"
	3852367	X	Shim	TH=0.010"
6	3852390	2	Needle bearing	
7	3861685	1	Gear set	
8	3858455	1	Shaft	
9	3855783	1	Sliding sleeve	
10	3852296	1	Spring	
11	3852298	1	Washer	
12	951078	1	Snap ring	
13	3852262	1	Retainer	
14	3852294	1	Ring	
15	3852295	2	Lock clip	

DPX-A

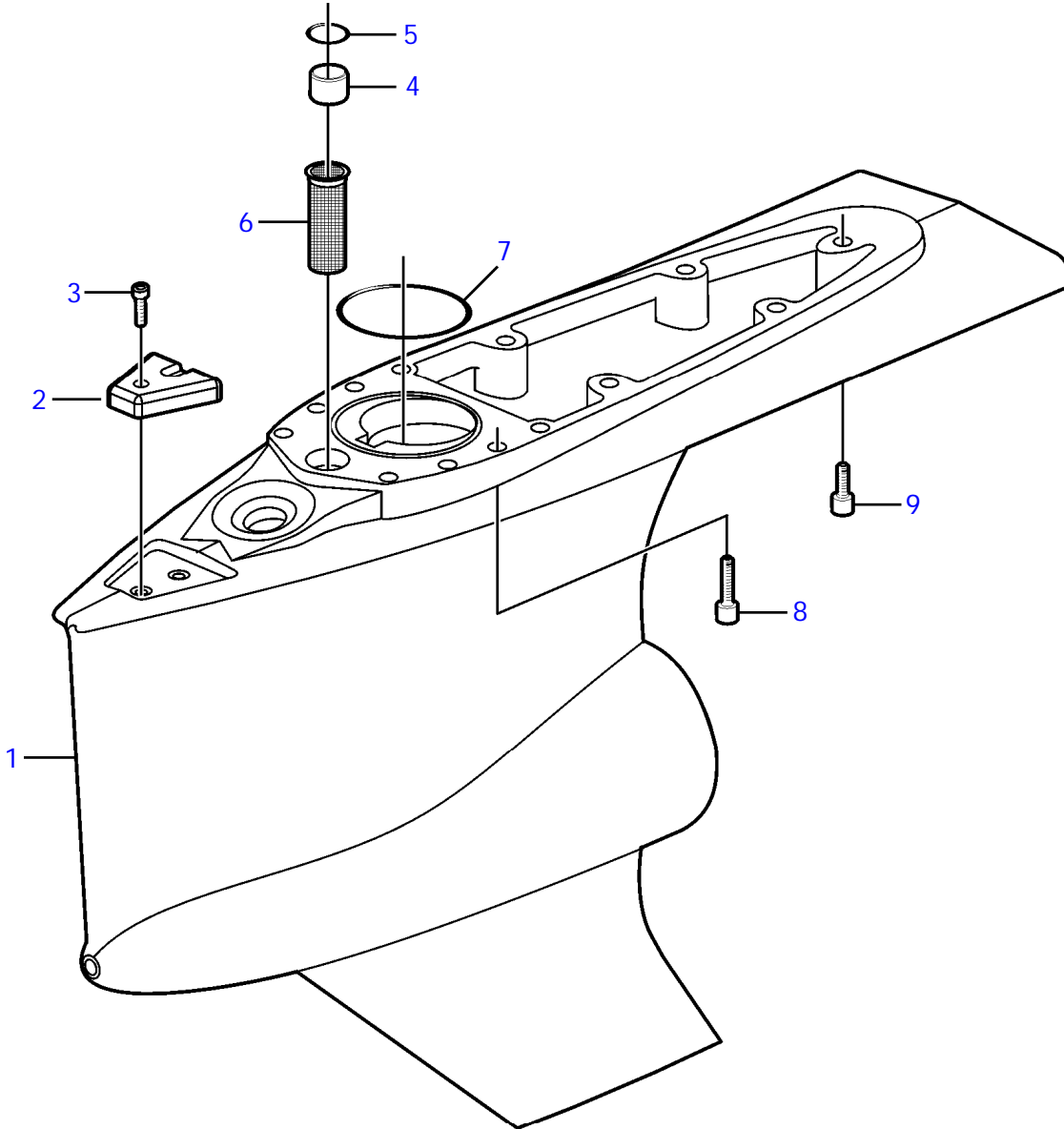




DPX-A

REF	PART NO.	QTY	DESCRIPTION	NOTES
1		1	Fork	
2	872756	2	• Bearing bushing	
3	3860545	X	Shim	TH = 1.25mm
	3860546	X	Shim	TH=0.90mm
4	940169	2	Screw	
5	940191	2	Washer	
6	872752	1	Hose connection	
7	979254	1	O-ring	
8	872753	1	Steering knuckle	
9	873534	1	Retainer	
10	872755	1	Seal	
11	876507	1	Bushing kit	
12	872126	2	Clevis pin	
13	967707	4	Cotter pin	
14	872922	2	Pin	

DPX-A

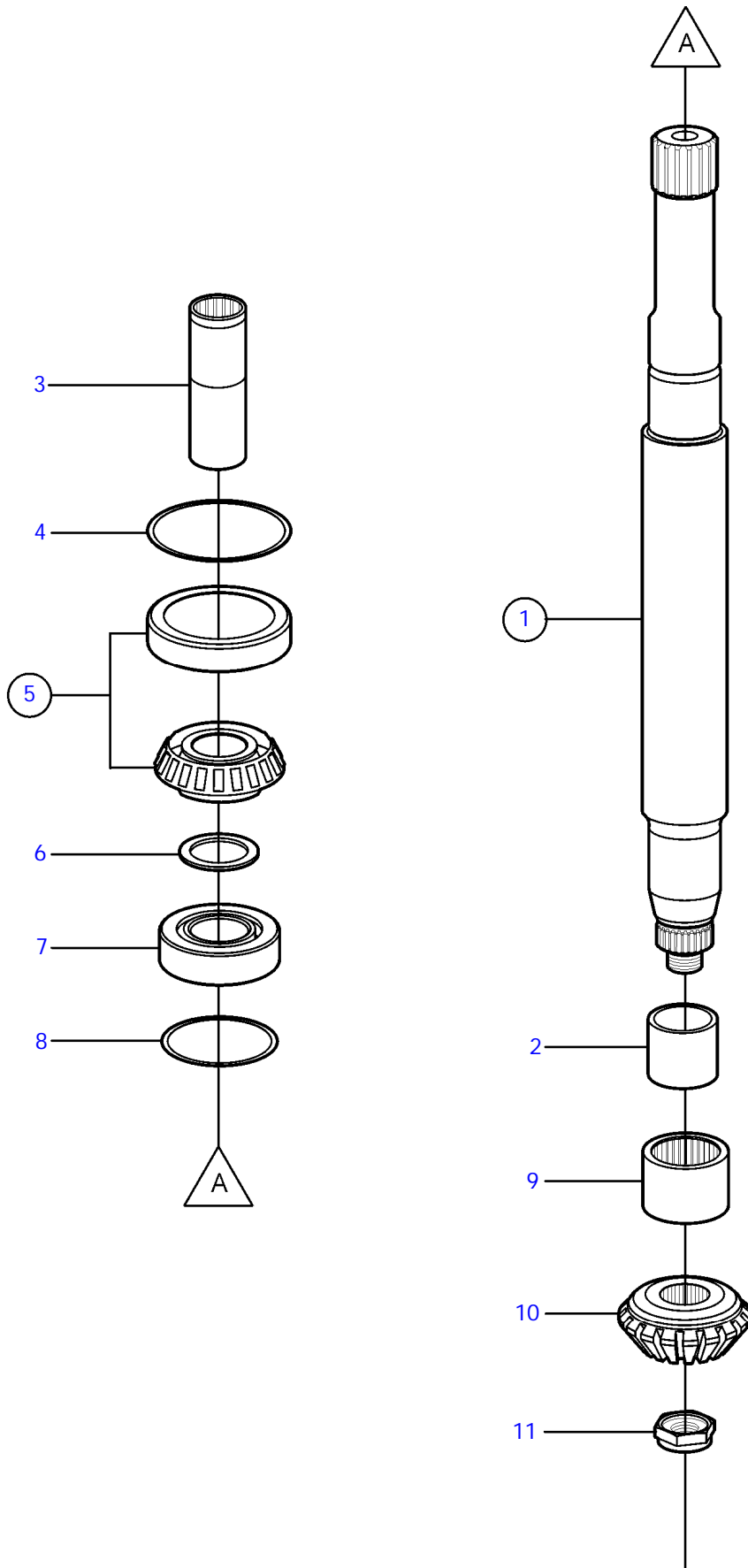


20607

DPX-A

REF	PART NO.	QTY	DESCRIPTION
1	3860061	1	Gear housing
2	876638	1	Zinc anode kit
3	963684	2	• Screw
4	872986	1	Sleeve
5	125017	1	O-ring
6	814482	1	Oil pump screen
7	925256	1	O-ring
8	984074	12	Screw
9	984073	1	Screw

DPX-A

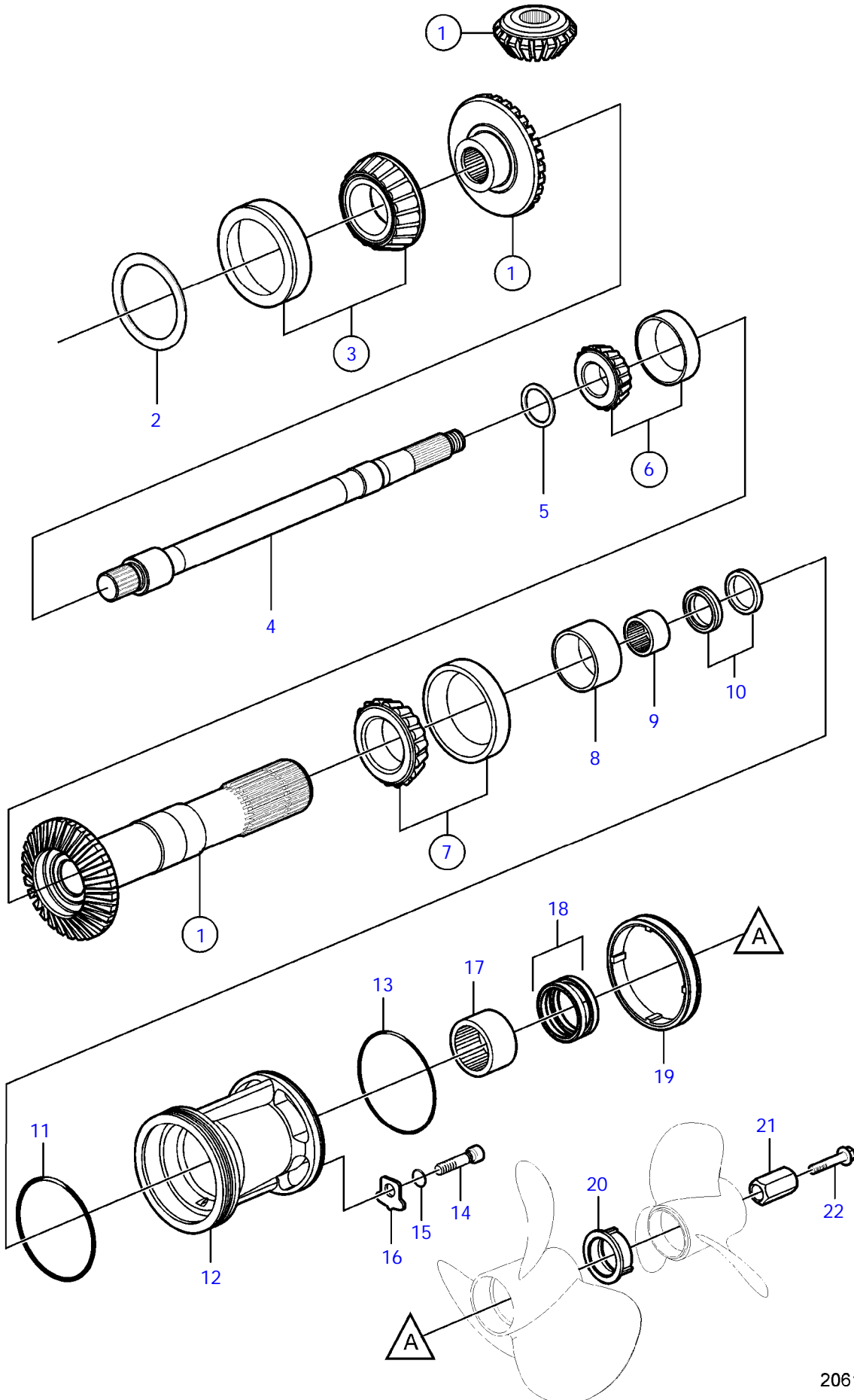


20609

DPX-A

REF	PART NO.	QTY	DESCRIPTION	NOTES
1		1	Countershaft	
2	184682	1	• Inner ring	
3	3856520	1	Splined sleeve	
4	944522	X	Shim	TH=0.05mm
	42981	X	Shim	TH=0.10mm
	968057	X	Shim	TH=0.20mm
	42980	X	Shim	TH=0.35mm
5	11072	1	Roller bearing	
6	944970	X	Shim	
7	183374	1	Ball bearing	
8	941832	X	Shim	TH=0.05mm
	941833	X	Shim	TH=0.20mm
9	184654	1	Needle bearing	
10	3858461	1	Drive gear set	1.47:1
	3856530	1	Drive gear set	1.59:1
	3856526	1	Drive gear set	1.68:1
	3856528	1	Drive gear set	1.78:1
11	852212	1	Nut	

DPX-A

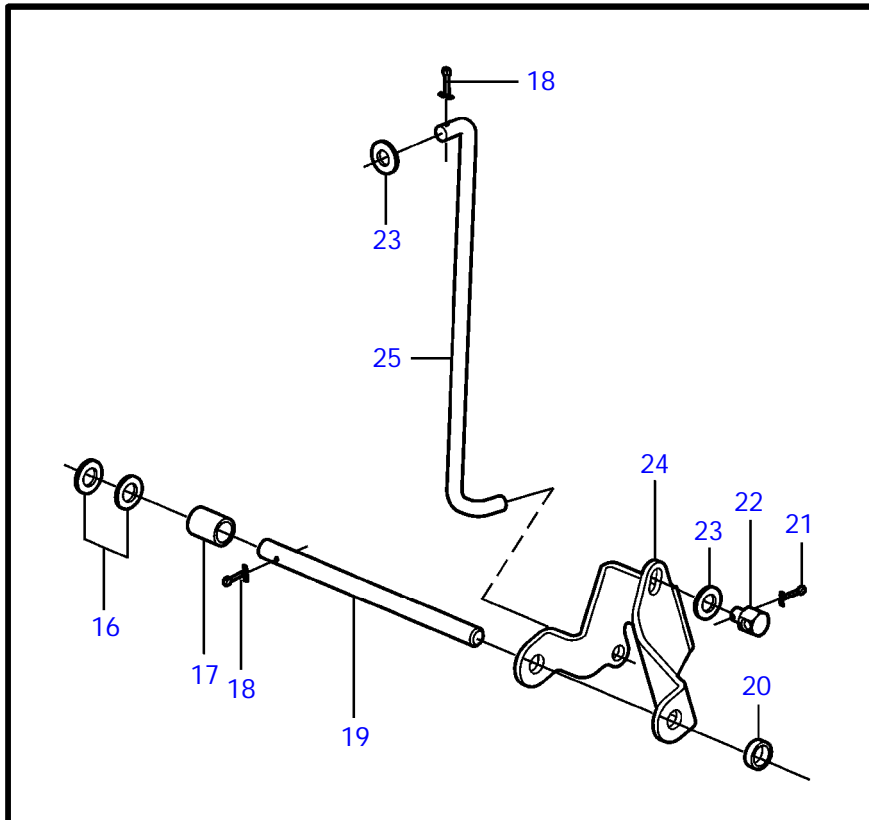
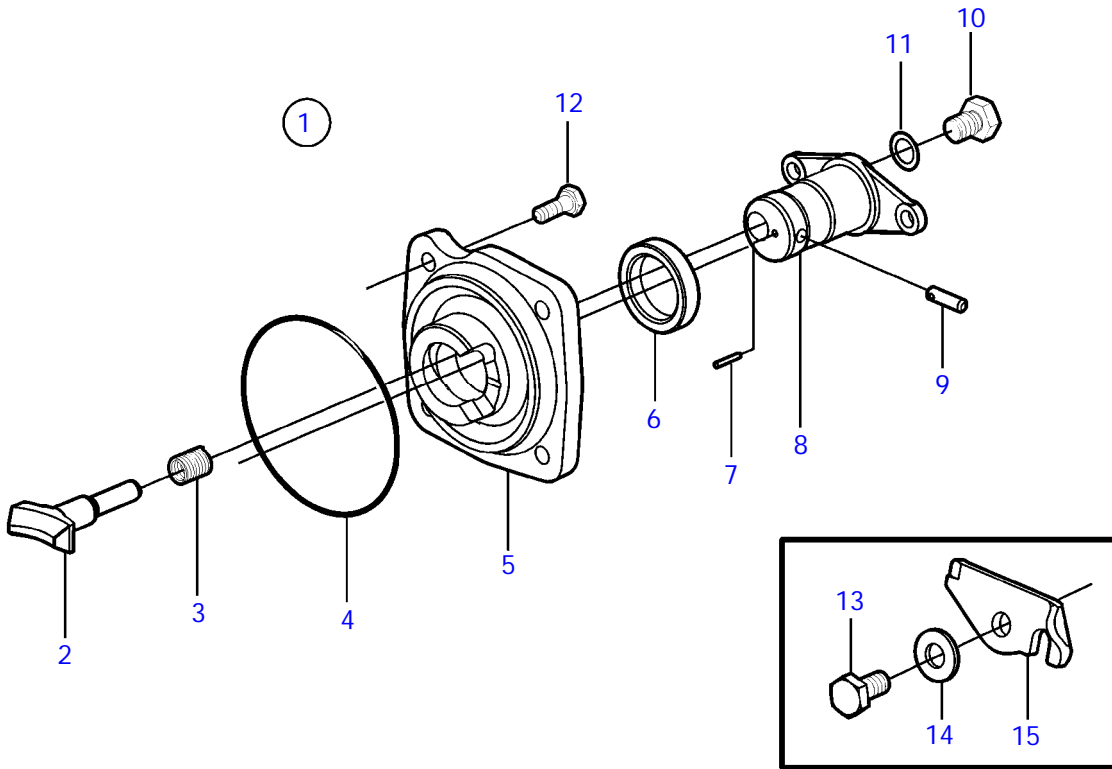


20611

DPX-A

REF	PART NO.	QTY	DESCRIPTION	NOTES
1	3858461	1	Drive gear set	1.47:1
	3856530	1	Drive gear set	1.59:1
	3856526	1	Drive gear set	1.68:1
	3856528	1	Drive gear set	1.78:1
2	967352	X	Shim	TH=0.05mm
	967351	X	Shim	TH=0.10mm
	941823	X	Shim	TH=0.15mm
	941824	X	Shim	TH=0.20mm
	941825	X	Shim	TH=0.40mm
3	11044	1	Bearing	
4	872393	1	Driveshaft	
5	191834	X	Shim	TH=0.10mm
	191835	X	Shim	TH=0.15mm
	191837	X	Shim	TH=0.25mm
6	184691	1	Bearing	
7	184765	1	Roller bearing	
8	184683	1	Inner ring	
9	183272	1	Needle bearing	
10	853871	1	Sealing ring kit	
11	873232	2	O-ring	
12	872136	1	Bearing housing	
13	946438	3	O-ring	
14	872174	1	Lock screw	
15	955981	1	O-ring	
16	872403	1	Washer	
17	183859	1	Needle bearing	
18	851407	2	Sealing ring	
19	872172	1	Thrust ring	
20	3851335	1	Propeller nut	
21	872179	1	Propeller nut	
22	872546	1	• Lock screw	

DPX-A



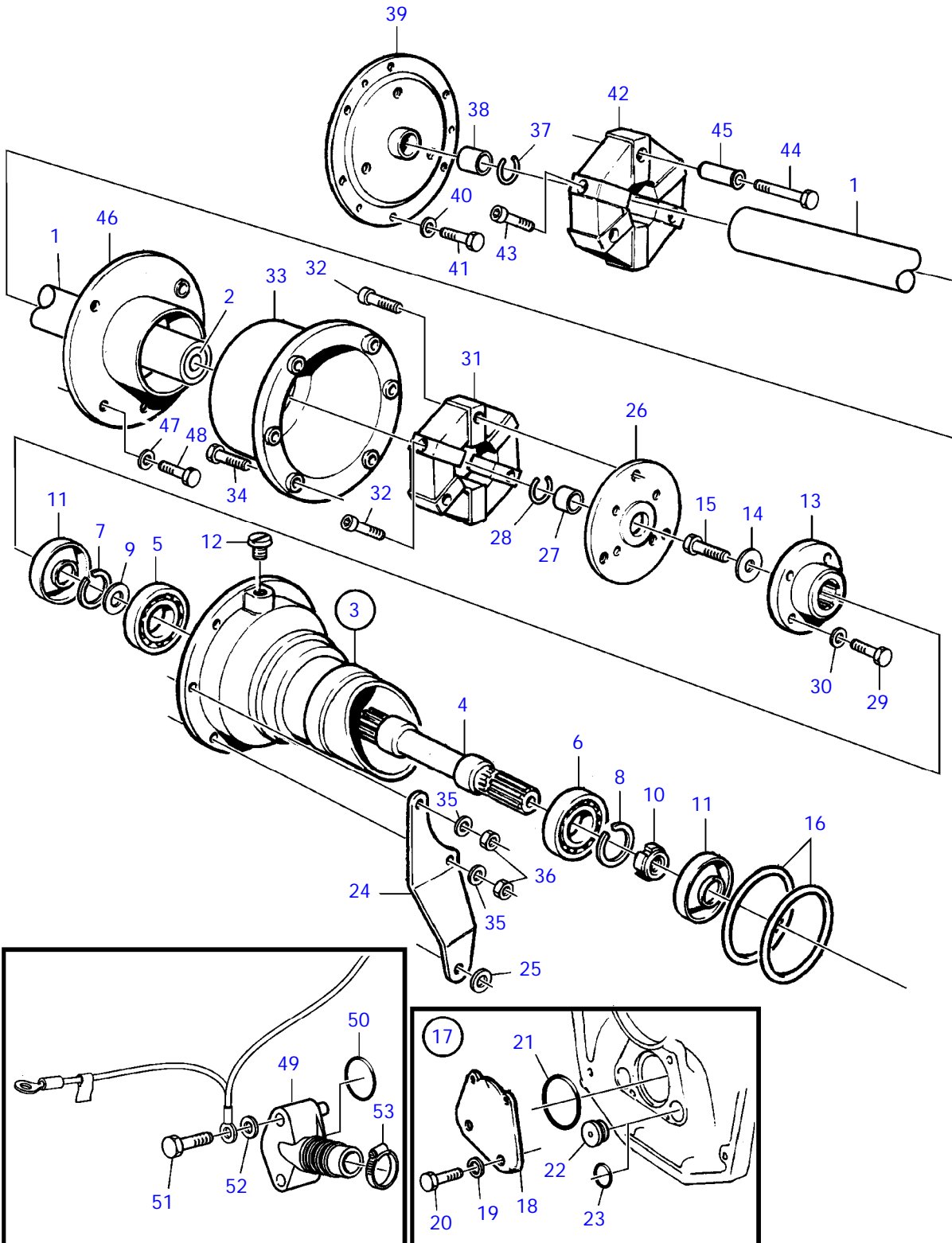
18337



DPX-A

REF	PART NO.	QTY	DESCRIPTION	NOTES
1	3855787	1	Shift mechanism	
2	3856502	1	• Shoe	
3	814184	1	• Spring	
4	925093	1	• O-ring	
5	3855785	1	• Bearing housing	
6	853868	1	• Sealing ring	
7	973593	1	• Pin	
8	3856008	1	• Eccentric piston	
9	942871	1	• Pin	
10	897711	1	• Screw	
11	897871	X	• Shim	
12	963556	4	Screw	
13	963554	1	Screw	
14	940191	1	Washer	
15	872940	1	Cable attachment	
16	897511	2	Washer	Included in upper gear unit.
17		1	Sleeve	Included in upper gear unit.
18	17253	2	Cotter pin	Included in upper gear unit.
19	3860181	1	Shaft	Included in upper gear unit.
20	3860393	1	Sleeve	Included in upper gear unit.
21	17276	1	Cotter pin	
22	3852329	1	Cube	
23	940191	2	Washer	
24	872977	1	Gear yoke	Included in upper gear unit.
25	872822	1	Control rod	

DPX-A

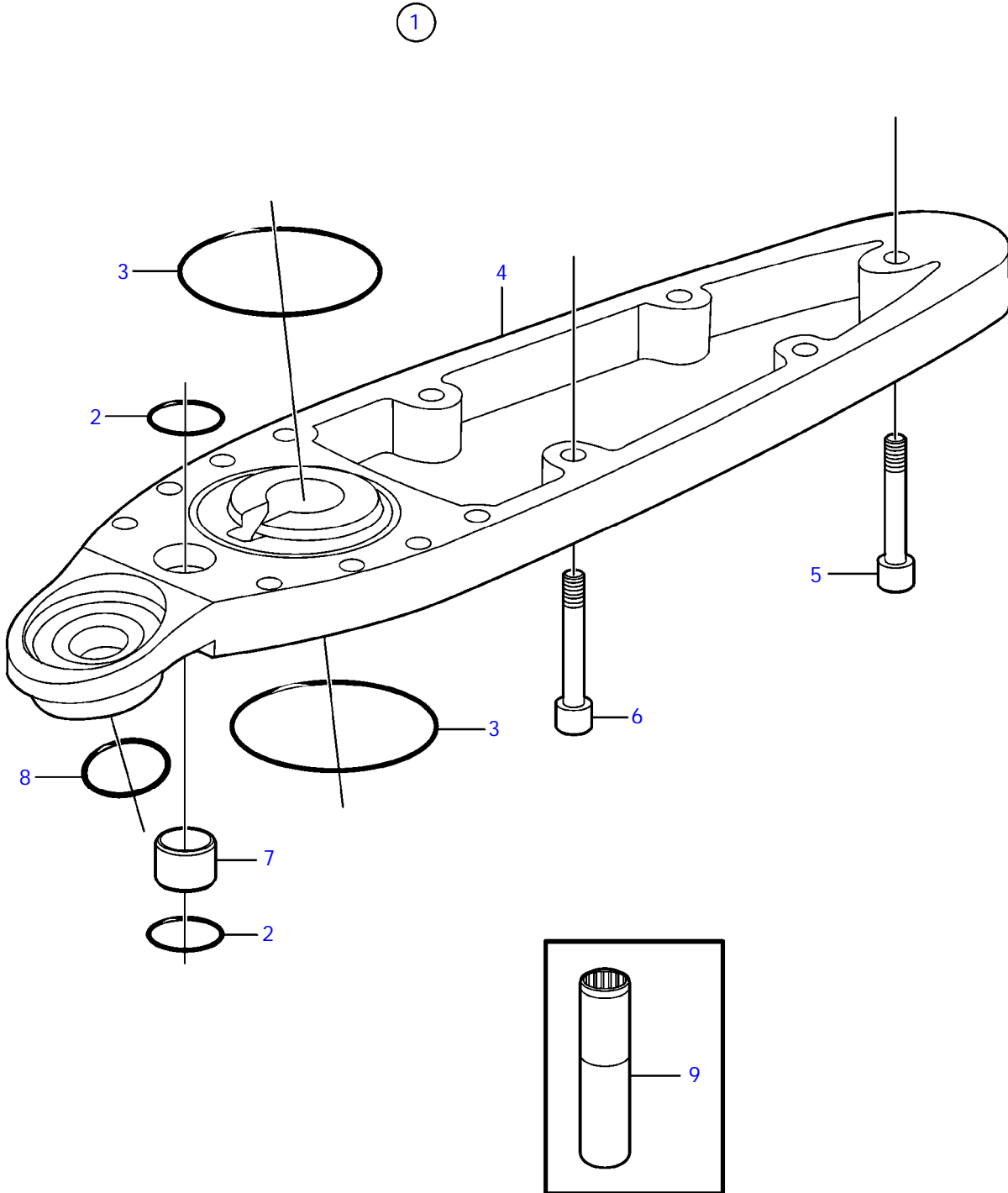


23064

DPX-A

REF	PART NO.	QTY	DESCRIPTION	NOTES
1		1	Axle shaft	L=1,1m
	853850	1	Axle shaft	L=1,65m
2	853830	2	• Insert	
3	3855772	1	Intermediate housing	
4	853841	1	Shaft	
5	183647	1	Roller bearing	
6	11041	1	Roller bearing	
7	914465	1	Lock ring	
8	914533	1	Snap ring	
9	968950	1	Support washer	
10	969072	1	Round nut	
11	958860	2	Sealing ring	
12	804262	1	Plug	
13	838422	1	Clutch flange	
14	947541	1	Washer	
15	946329	1	Flange screw	
16	858464	2	Rubber ring	
17	872238	1	Seal flange kit	
18		1	• Seal flange	
19	941908	4	• Spring washer	
20	970945	4	• Screw	
21	925256	1	• O-ring	
22	814473	2	• Rubber plug	
23	925064	2	O-ring	ALT
24	838935	1	Bracket	P
	838936	1	Bracket	SB
25	955897	22	Washer	
26	853878	1	Attaching plate	
27	853829	1	Bushing	
28	914470	1	Lock ring	
29	945996	4	Screw	
30	941909	4	Spring washer	
31	853978	1	Clutch	
32	853951	6	• Screw	
33	853838	1	Protection	
34	940160	6	Screw	
35	941909	6	Spring washer	
36	940157	6	Nut	
37	914470	1	Lock ring	
38	853829	1	Bushing	
39	853876	1	Attaching plate	
40	941907	6	Spring washer	EARLY TYPE
41	955297	6	Screw	EARLY TYPE
	945444	6	Flange screw	LATE TYPE
42	853977	1	Clutch	
43	853951	3	• Screw	
44	853952	3	• Screw	
45	853834	3	Spacer sleeve	
46	853874	1	Protection	
47	941908	4	Spring washer	EARLY TYPE
48	970947	4	Screw	EARLY TYPE
	946329	4	Flange screw	LATE TYPE
49	872338	1	Hose nipple	
50	925064	1	O-ring	
51	955516	2	Screw	
52	955893	2	Washer	
53	961669	2	Hose clamp	

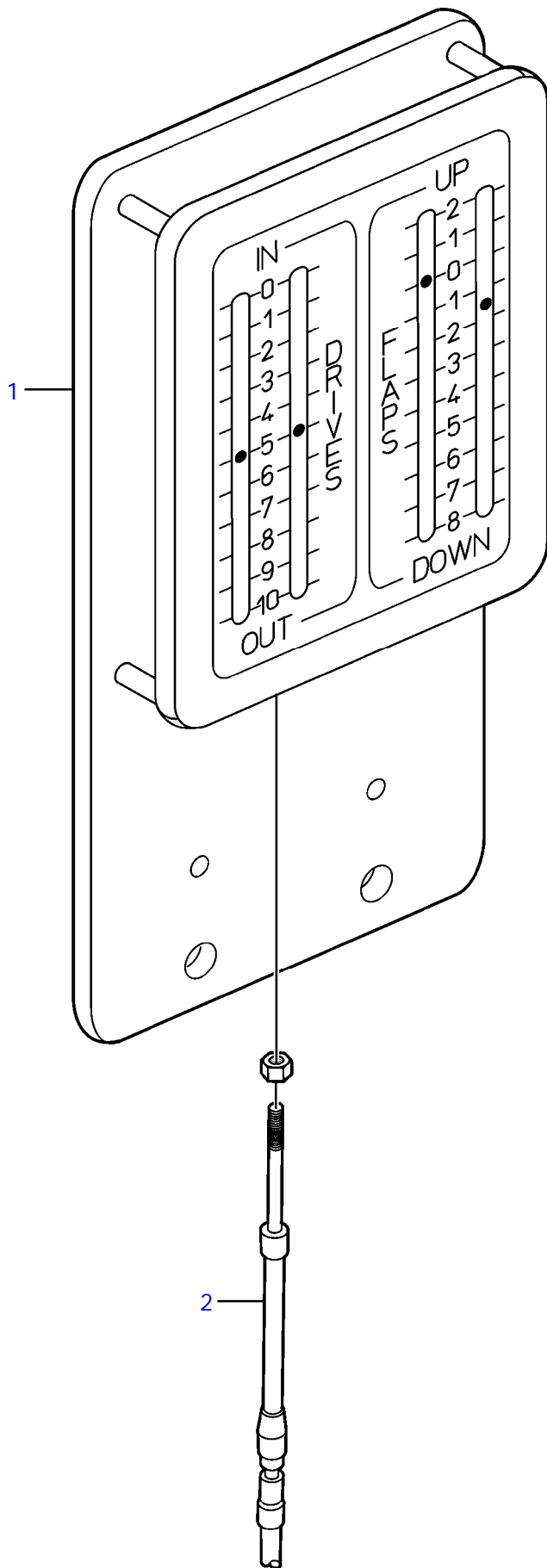
DPX-A



20613



DPX-A



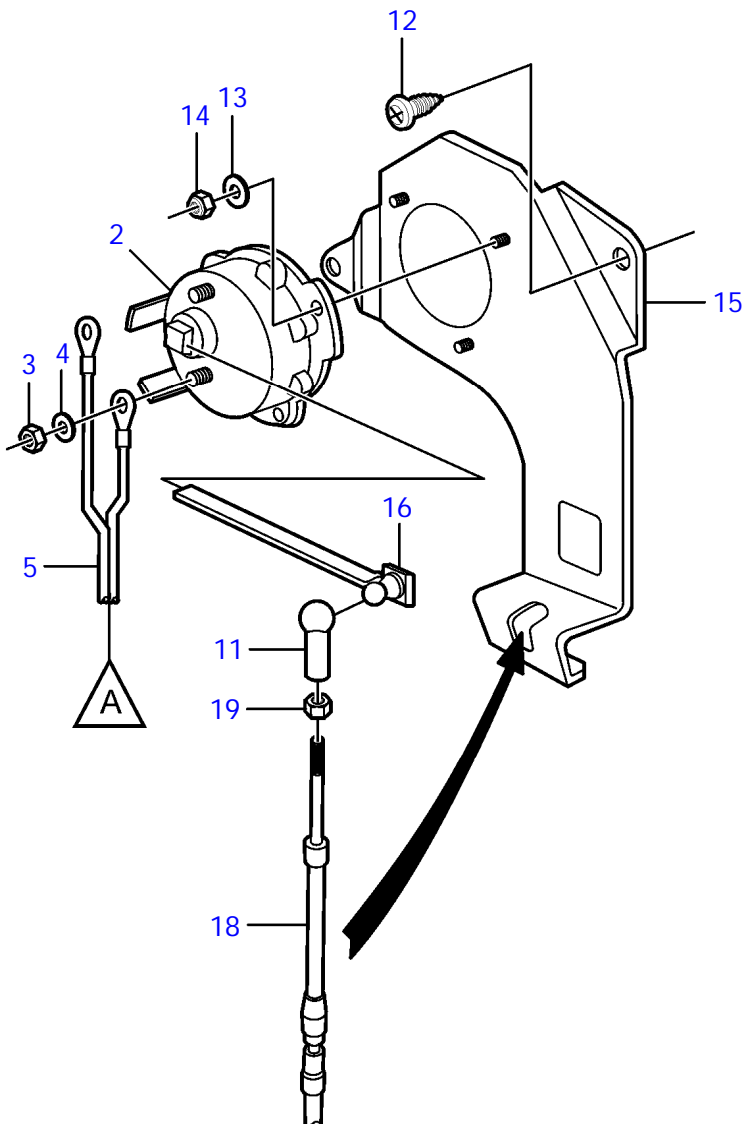
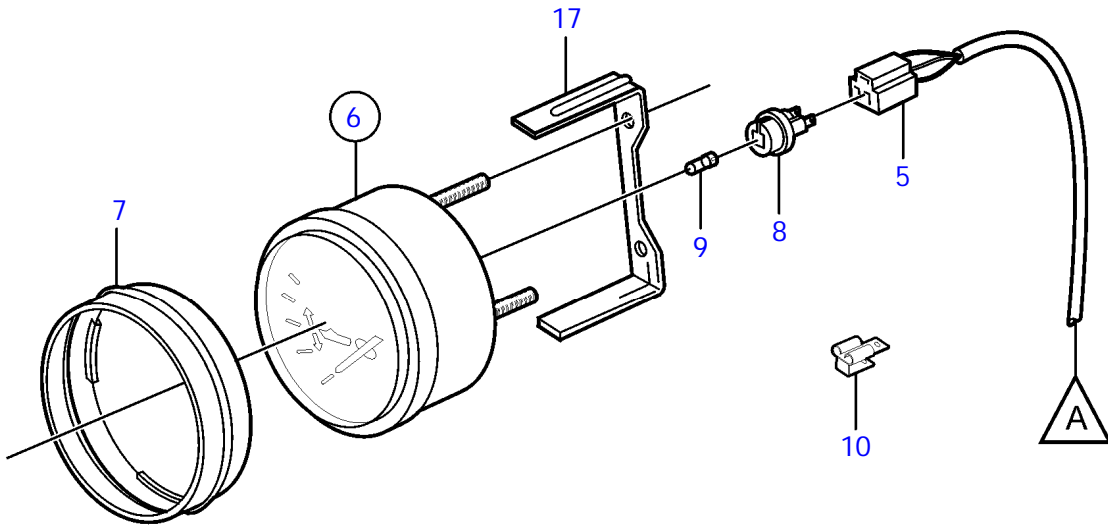
DPX-A
-------

REF	PART NO.	QTY	DESCRIPTION	NOTES
1	873398	1	Trim gauge	SINGLE DRIVE
		1	Trim gauge	With dual trim tabs, SINGLE DRIVE
	872665	1	Trim gauge	TWIN DRIVES
		1	Trim gauge	With dual trim tabs, TWIN DRIVES
		1	Trim gauge	TRIPLE DRIVES
		1	Trim gauge	With dual trim tabs, TRIPLE DRIVES
2		X	Cable	As required



DPX-A

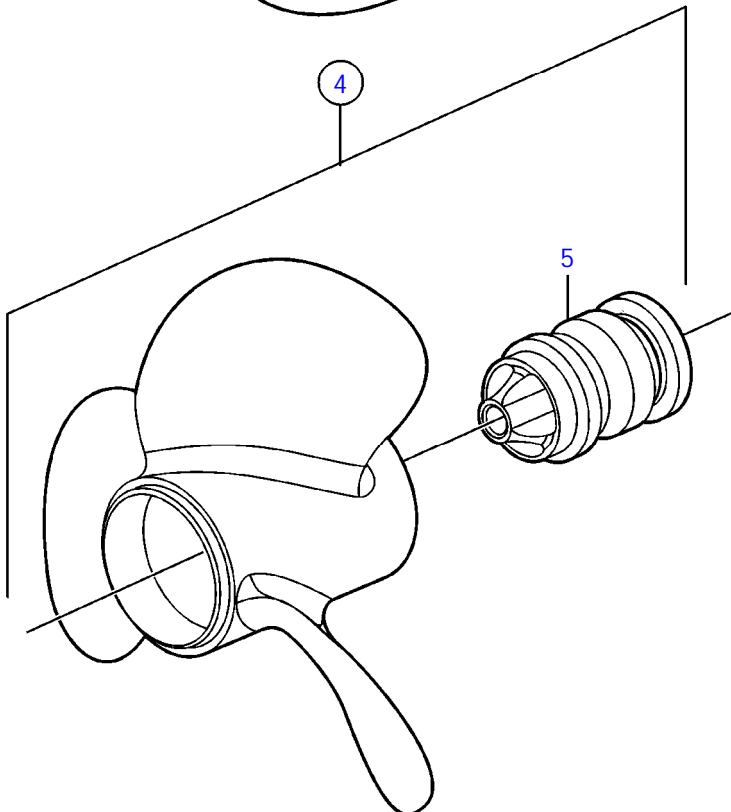
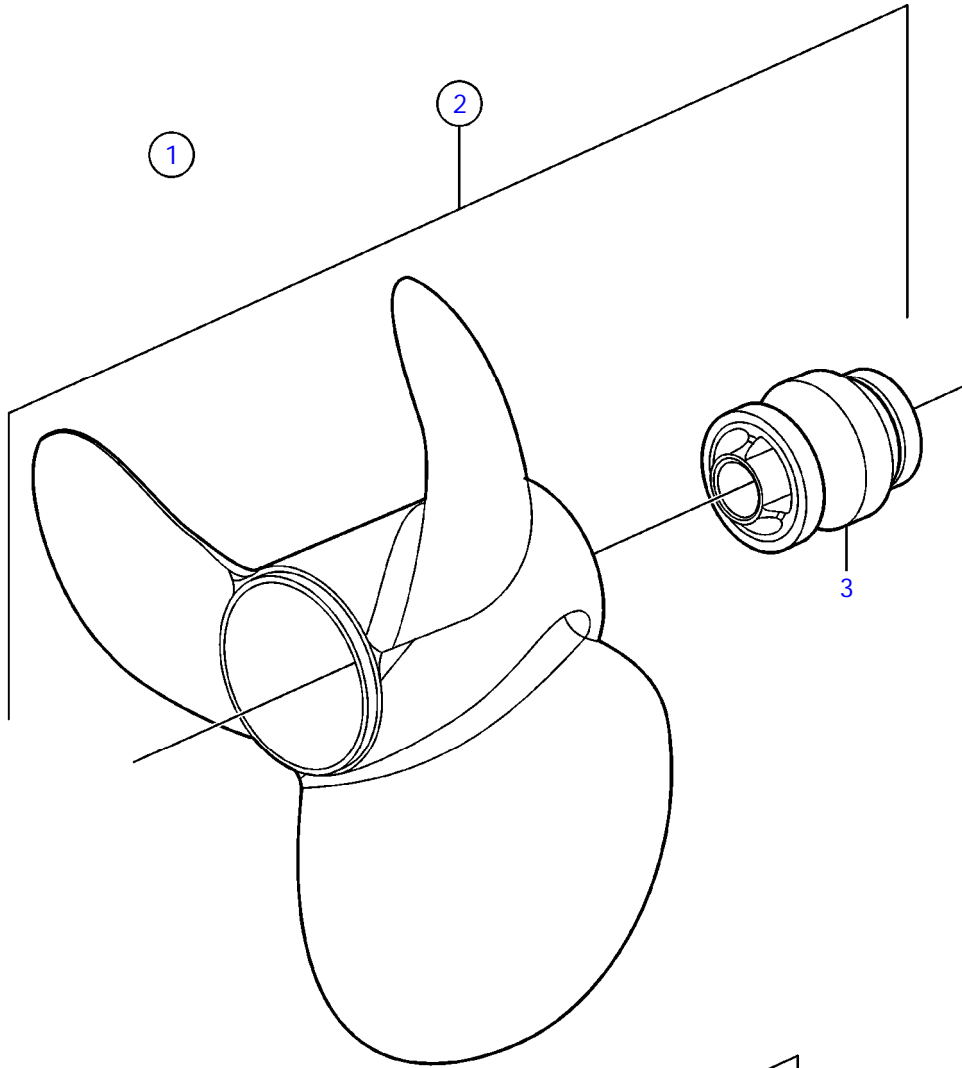
1



20586





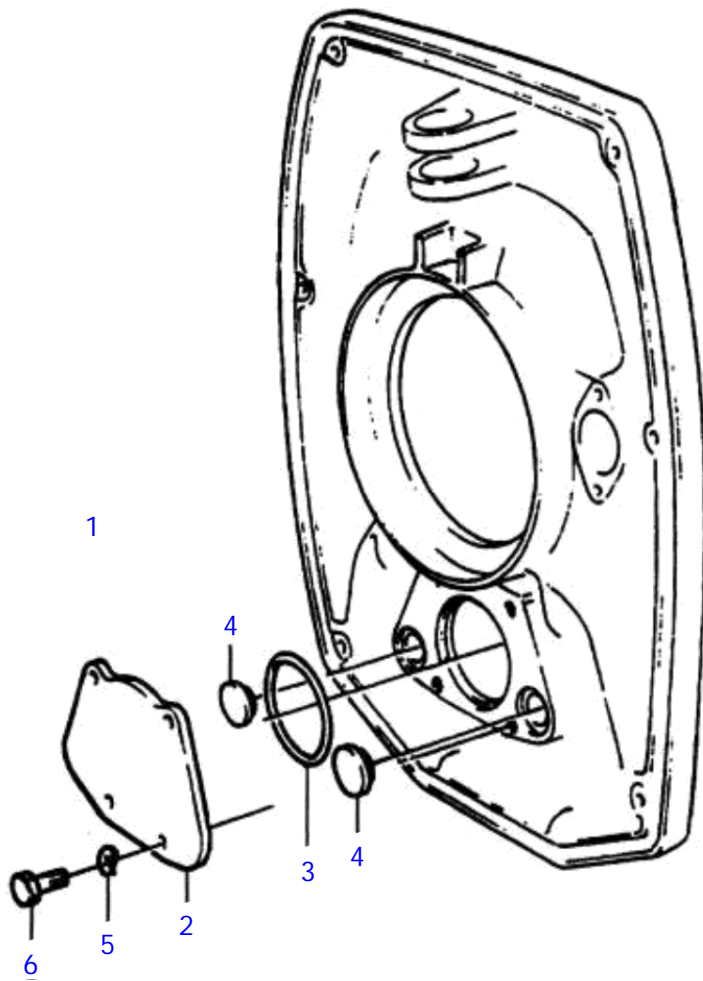


20885

DPX-A

REF	PART NO.	QTY	DESCRIPTION	SEE SEC.	NOTES
1	3860065	X	Propeller		SET, E2
			• Bulletin P-44-7-1	P-44-7-1-EN	Duoprop Propellers
1	3860066	X	Propeller		SET, E3
	3860067	X	Propeller		SET, E4
2	872422	1	• Propeller		FRONT, E2
	872423	1	• Propeller		FRONT, E3
	872424	1	• Propeller		FRONT, E4
3	872176	1	• • Propeller bushing		
4	3860011	1	• Propeller		REAR, E2
	3860012	1	• Propeller		REAR, E3
	3860013	1	• Propeller		REAR, E4
5	872177	1	• • Propeller bushing		

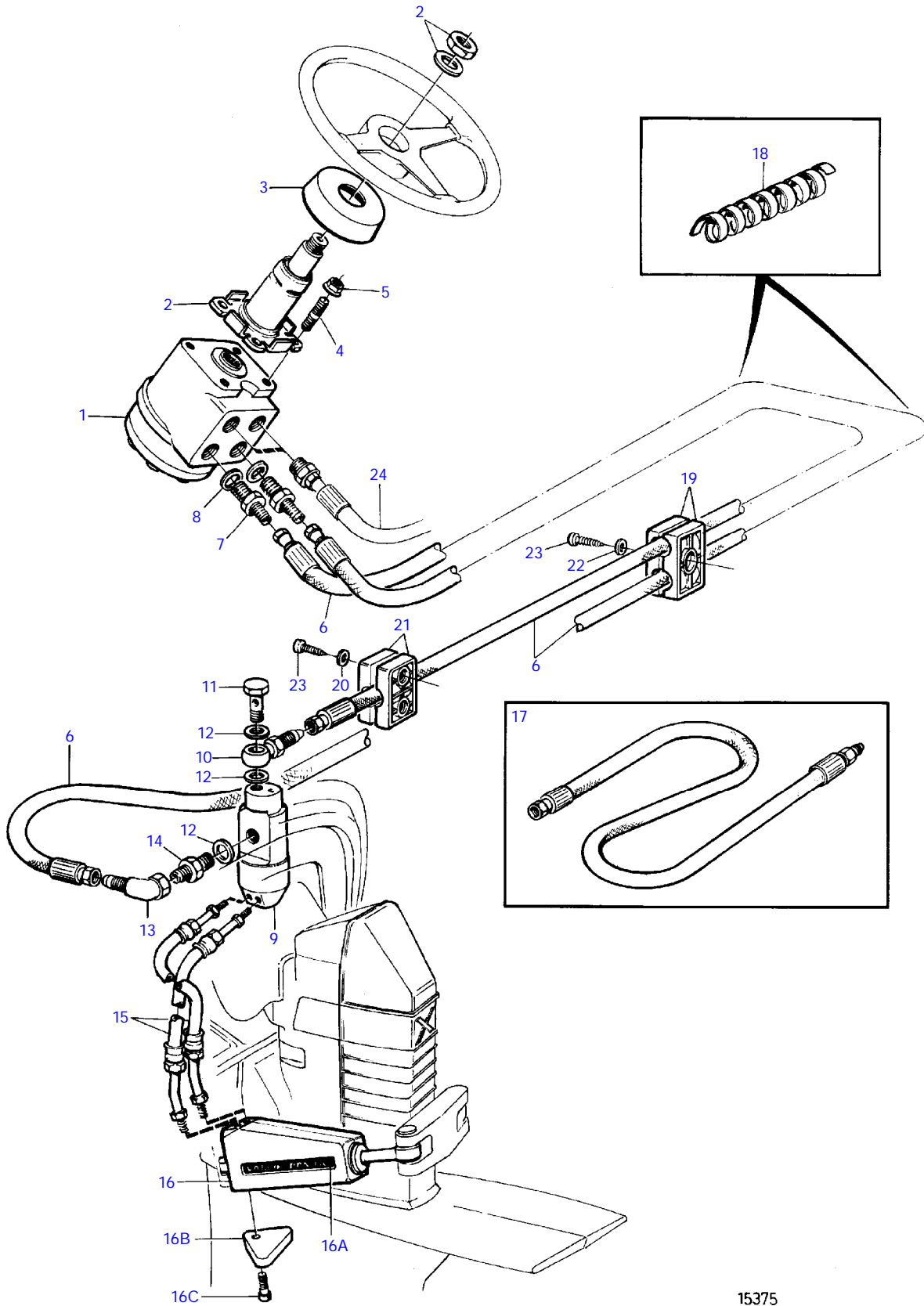
DPX-A



12661



DPX-A



15375

DPX-A

REF	PART NO.	QTY	DESCRIPTION	NOTES
1	872155	1	Pump unit	
2	872157	1	Retainer	
3	873357	1	Cover	
4	924085	4	Stud	
5	971095	4	Nut	
6	872158	2	Hose	L=6.0m
7	873340	2	Nipple	
8	873341	2	Washer	
9	872956	1	Grommet	
10	873325	1	Banjo nipple	
11	873326	1	Hollow screw	
12	873327	3	Washer	
13	873328	1	Elbow nipple	
14	873329	1	Nipple	
15	872593	4	Hose	
16	3861556	2	Steering cylinder	Mounted on interm. housing of the drive unit and connected to the hook up fork.
16A	872965	2	Decal	
16B	872793	2	Zinc anode kit	
16C	963683	2	• Screw	
17	872169	1	Hydraulic hose	L=1,0m
18	873331	1	Coil	
19	873335	1	Clamp	
20	873337	1	Washer	
21	873336	1	Clamp	
22	873338	1	Washer	
23	873339	3	Screw	
24	872158	2	Hose	

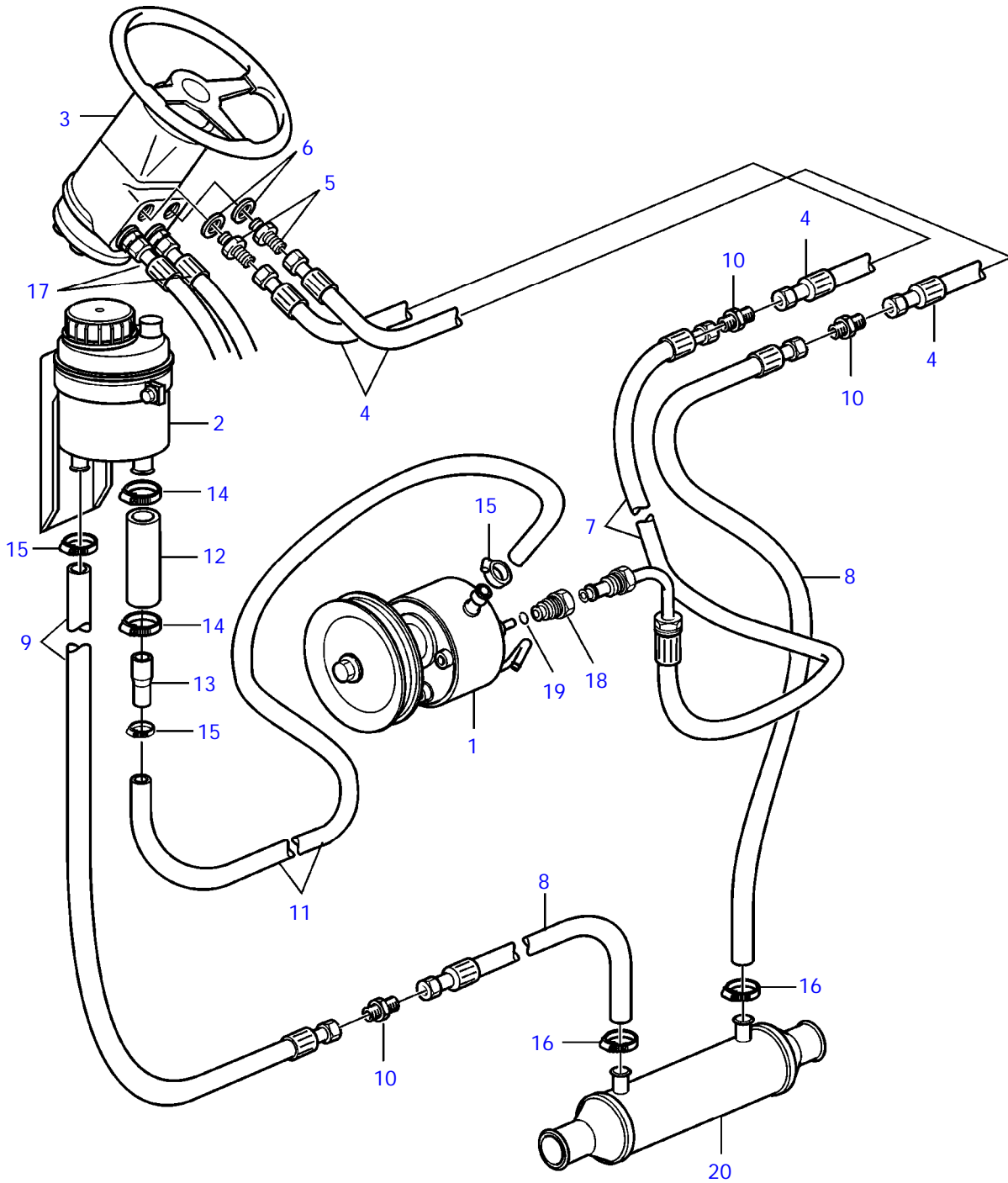




DPX-A

REF	PART NO.	QTY	DESCRIPTION	NOTES
1	872156	1	Pump unit	
2	872157	1	Retainer	
3	873357	1	Cover	
4	924085	4	Stud	
5	971095	4	Nut	
6	872158	2	Hose	L=6.0m
7	873340	2	Nipple	
8	873341	2	Washer	
9	872956	2	Grommet	
10	873325	2	Banjo nipple	
11	873326	2	Hollow screw	
12	873327	6	Washer	
13	873328	2	Elbow nipple	
14	873329	2	Nipple	
15	873330	2	T-nipple	
16	872166	2	Hose	L=1,2m
17	872593	8	Hose	
18	3861556	4	Steering cylinder	Mounted on interm. housing of the drive unit and connected to the hook up fork.
18A	872965	4	Decal	
18B	872793	4	Zinc anode kit	
18C	963683	4	Screw	
19	872169	1	Hydraulic hose	L=1,0m
20	873331	1	Coil	L=0.5m
21	873335	3	Clamp	
22	873337	3	Washer	
23	873339	3	Screw	
24	872158	2	Hose	

DPX-A

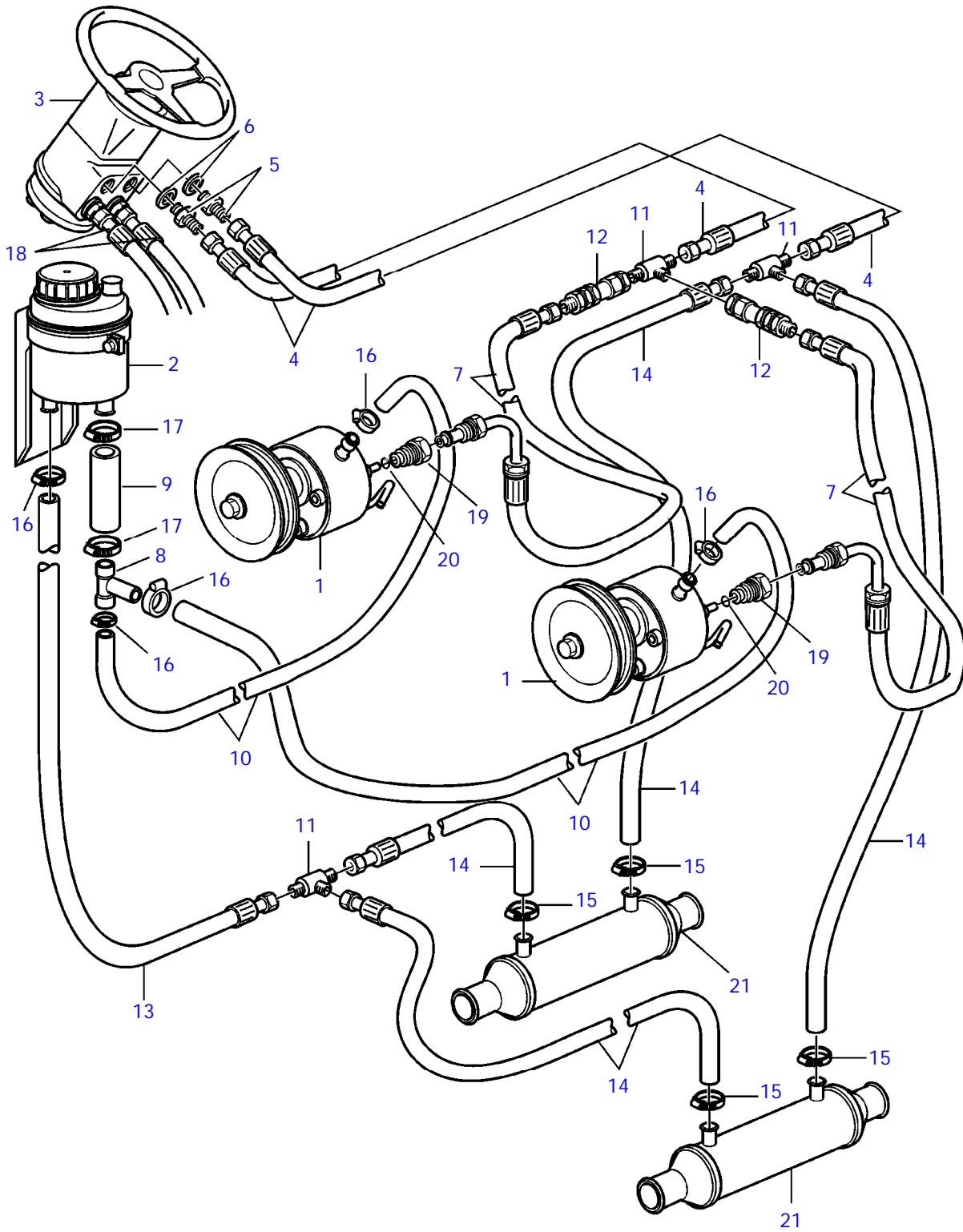


18028

DPX-A

REF	PART NO.	QTY	DESCRIPTION	SEE SEC.	NOTES
1		1	Steering pump		See catalog for engine.
2	872137	1	Tank		
3	872155	1	Pump unit		
4	872158	2	Hose		L=6.0m
5	873340	2	Nipple		
6	873341	2	Washer		
7	872159	1	Hose		L=1.5m
8	872160	2	Hose		L=2,0m
9	872973	1	Hose		L=3.0m
10	873358	3	Nipple		
11	3851506	1	Suction hose		L=2,3m
12	3851507	1	Suction hose		L=0,2m
13	873350	1	Tube		
14	961666	2	Hose clamp		
15	961665	2	Hose clamp		
16	961663	2	Clamp		
17	872158	2	Hose	4569	
18	3861351	1	Adapter		8.1L only.
19	3852497	1	O-ring		8.1L only.
20		1	Oil cooler		See catalog for engine.

DPX-A



18029

DPX-A

REF	PART NO.	QTY	DESCRIPTION	SEE SEC.	NOTES
1		1	Steering pump		See catalog for engine.
2	872137	1	Tank		
3	872156	1	Pump unit	4570	
4	872158	2	Hose		L=6.0m
5	873340	2	Nipple		
6	873341	2	Washer		
7	872159	2	Hose		L=1.5m
8	872168	1	T-nipple		
9	3851508	1	Suction hose		L=1.5m
10	3851509	1	Suction hose		To be cut to suitable length., L=2,0m
11	873334	3	T-nipple		
12	873351	2	Check valve		
13	872973	1	Hose		L=3.0m
14	872160	4	Hose		L=2,0m
15	961663	4	Clamp		
16	961665	4	Hose clamp		
17	961666	1	Hose clamp		
18	872158	2	Hose	4570	
19	3861351	2	Adapter		8.1L only.
20	3852497	2	O-ring		8.1L only.
21		2	Oil cooler		See catalog for engine.

DESCRIPTION	SEE SEC.
Electrical Materials	1964
Electrical Materials	1963
Electrical Materials	1965



--

DESCRIPTION	SEE SEC.	NOTES
Drive	7328	DPX-A
Transom Shield	7629	DPX-A
Trim Pump	7624	DPX-A
Trim Cylinders	7625	DPX-A
Exhaust and Cooling Water Inlet	7633	DPX-A
Gear Housing, Upper	7330	DPX-A
Universal Joint and Bearing Housing	7630	DPX-A
Upper Vertical Shaft	7324	DPX-A
Hook Up Fork	7331	DPX-A
Gear Housing, Lower	7337	DPX-A
Lower Vertical Shaft	7340	DPX-A
Propellershaft	7343	DPX-A
Shift Mechanism	4798	DPX-A
Jack Shaft Kit	1758	DPX-A
Extension Kit 1"	7345	DPX-A
Trim Gauge	7307	DPX-A
Trim Gauge	7308	DPX-A
Propeller, Duoprop	4838	DPX-A
Exhaust Block-off Kit	10675	DPX-A





