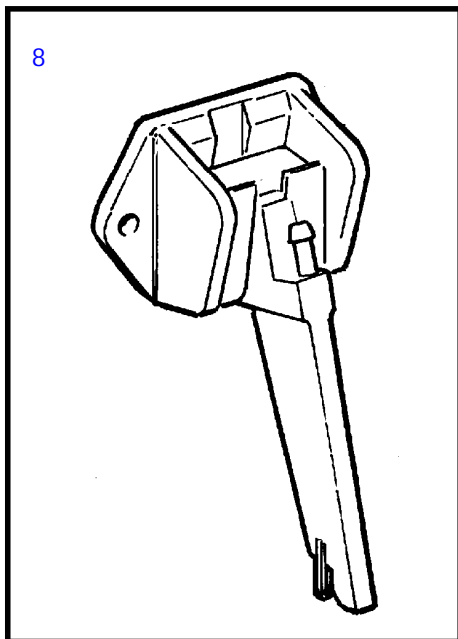
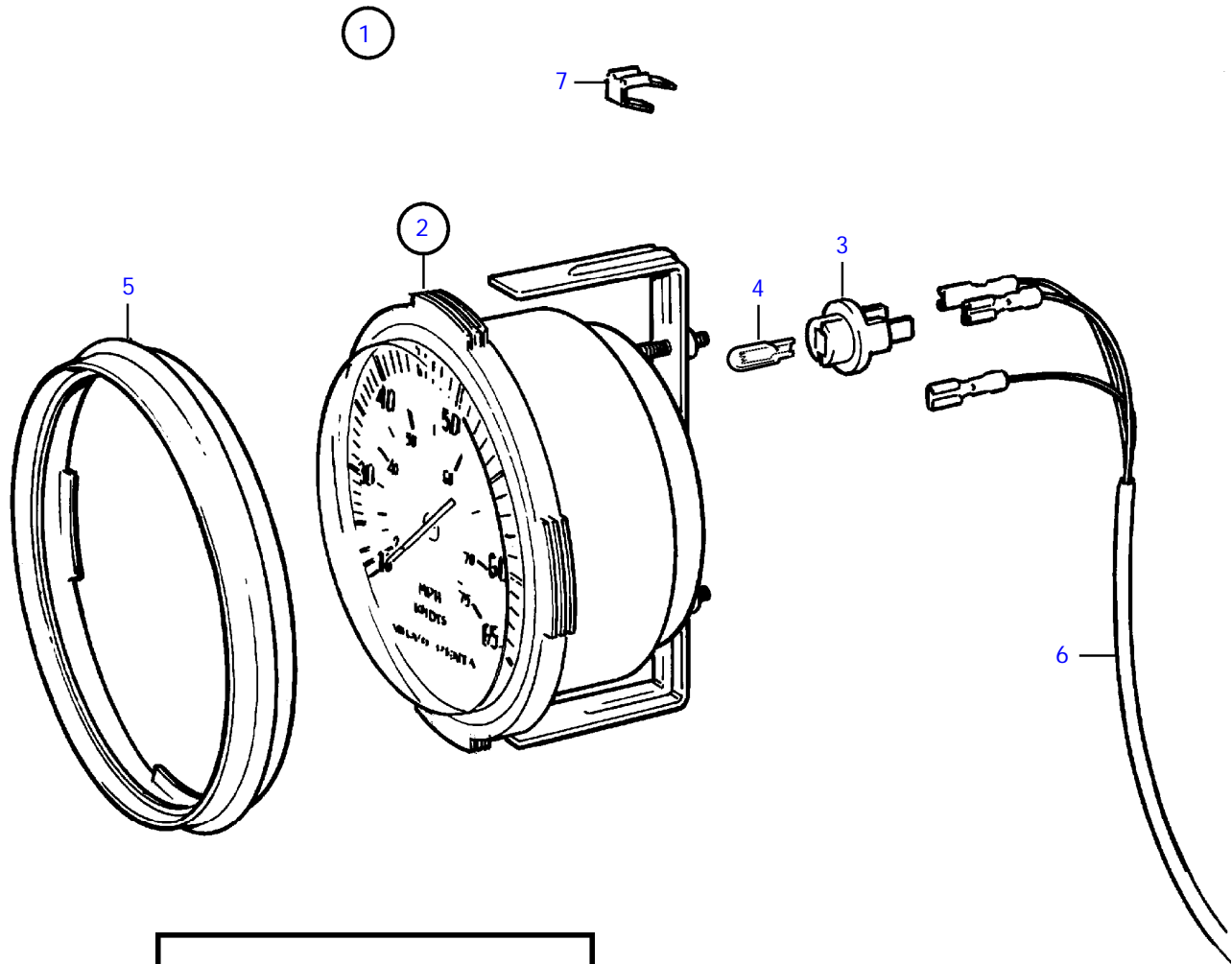


DP-C1, DP-D1

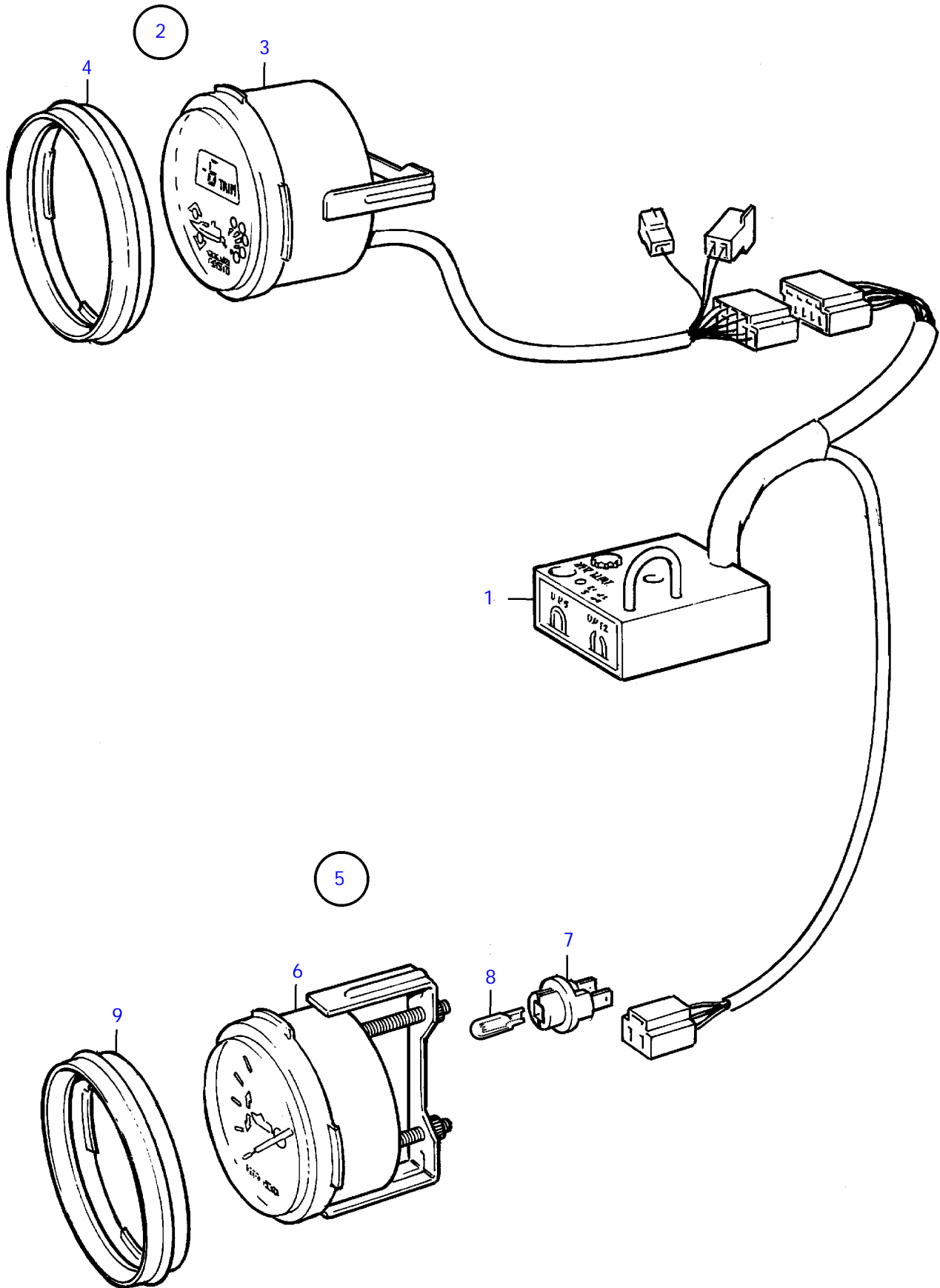


18579

DP-C1, DP-D1

REF	PART NO.	QTY	DESCRIPTION
1	1140433	1	Pressure log kit
2	856810	1	• Pressure log
3	863945	1	• • Lamp socket
4	863946	1	• • Bulb
5	856805	1	• Ring
6	856865	1	• Cable kit
7	943950	1	• Switch
8	856818	1	• Connector kit

DP-C1, DP-D1

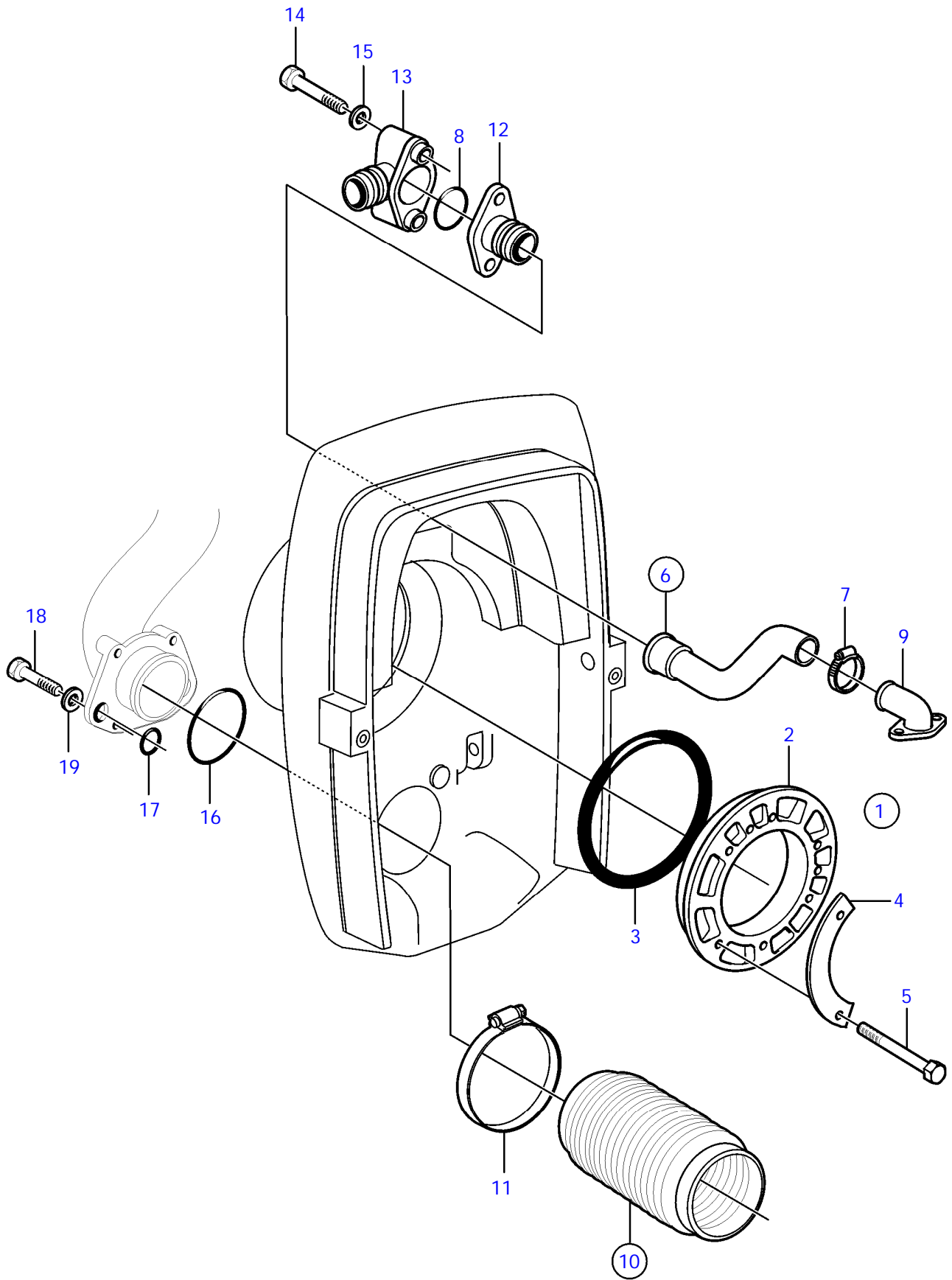


18578

DP-C1, DP-D1

REF	PART NO.	QTY	DESCRIPTION	NOTES
1	873226	1	Control unit	
2	(873227)	1	Trimmer	Digital, Obsolete part
3	872498	1	• Trimmer	
4	858643	1	• Front ring	
5	(873136)	1	Trimmer	Analog, Obsolete part
6		1	• Trimmer	
7	863945	1	• Lamp socket	
8	863946	1	• Bulb	Red
9	858643	1	• Front ring	

DP-S

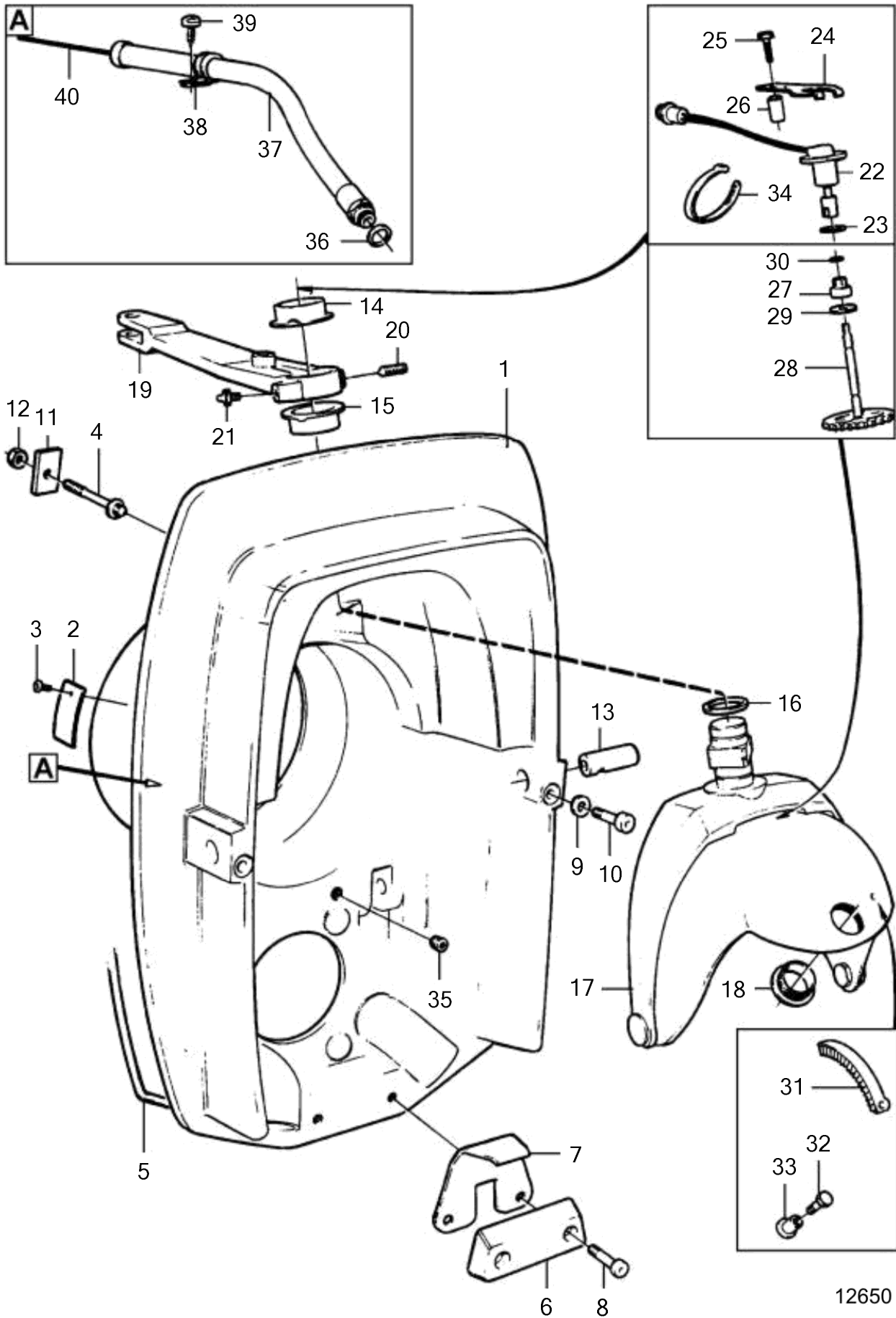


20589

DP-S

REF	PART NO.	QTY	DESCRIPTION	NOTES
1		1	Clamping ring kit	See catalog for engine.
2		1	• Clamping ring	See catalog for engine.
3		2	• Ring	See catalog for engine.
4	806624	3	• Striker plate	
5	191844	6	• Hexagon screw	
6	876632	1	Hose kit	
7	853548	1	• Hose clamp	
8	925064	1	• O-ring	
9	872752	1	Hose connection	
10	876631	1	Bellows kit	
11	872531	2	• Hose clamp	
12	872334	1	Nipple	
13	872338	1	Hose connection	90°
	872336	1	Hose connection	45°
14	955516	2	Hexagon screw	
15	955893	2	Washer	
16	925256	1	O-ring	
17	925064	2	O-ring	
18	947790	4	Flange screw	
19	976945	4	Washer	

DP-S

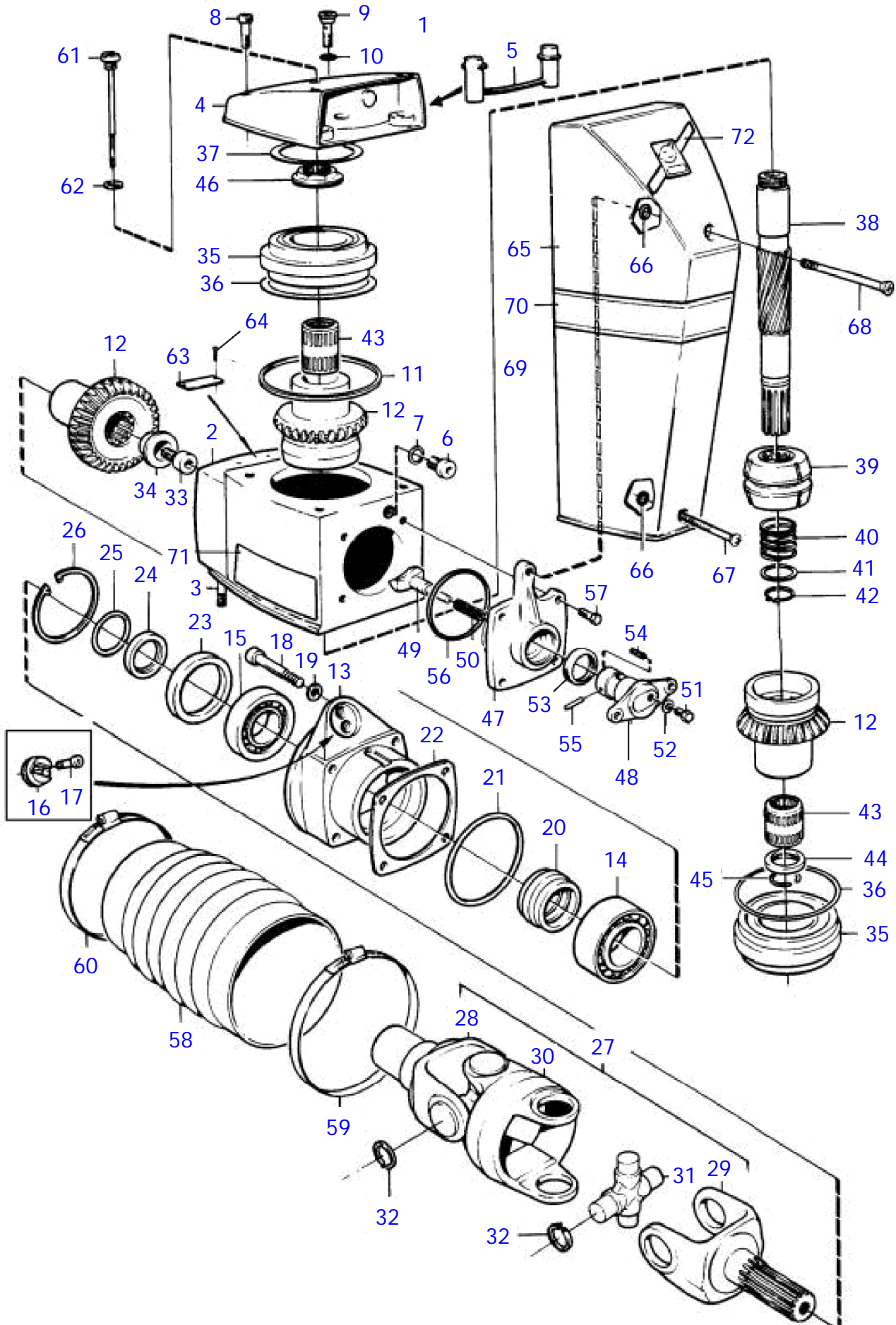


DP-S

REF	PART NO.	QTY	DESCRIPTION
1	876630	1	Shield
2	853706	1	• Type plate
3	804269	2	• Drive screw
4	873316	6	Stud
5	852868	1	Sealing strip, l=1750 mm
6	852835	1	Zinc electrode
7	872963	1	Support plate
8	946541	2	Hex. socket screw
9	941670	2	Washer
10	963699	2	Hex. socket screw
11	852866	6	Washer
12	963108	6	Lock nut
13	872493	2	Spindle
14	854705	1	Bushing
15	854704	1	Bushing
16	977313	1	Sealing ring
17	872845	1	Steering yoke
18	853048	1	• Bushing
19	872722	1	Spindle arm
20	947904	1	Set screw
21	914169	1	Lubricating nipple
22	873531	1	Sensor
23	955991	1	O-ring
24	853039	1	Bracket
25	955298	1	Hexagon screw
26	872355	1	Spacer sleeve
27	851430	1	Bushing
28	852984	1	Driving wheel
29	966207	1	Sealing ring
30	925050	1	O-ring
31	872812	1	Gear segment
32	853759	1	Screw
33	853760	1	Rivet nut
34	948210	1	Cable tie
35	853215	2	Plug
36	897745	1	Gasket
37	839091	1	Protecting hose
38	952635	1	Clamp
39	955512	1	Hexagon screw
40		X	control cable



DP-C1 1.95, DP-C1 2.30



12655

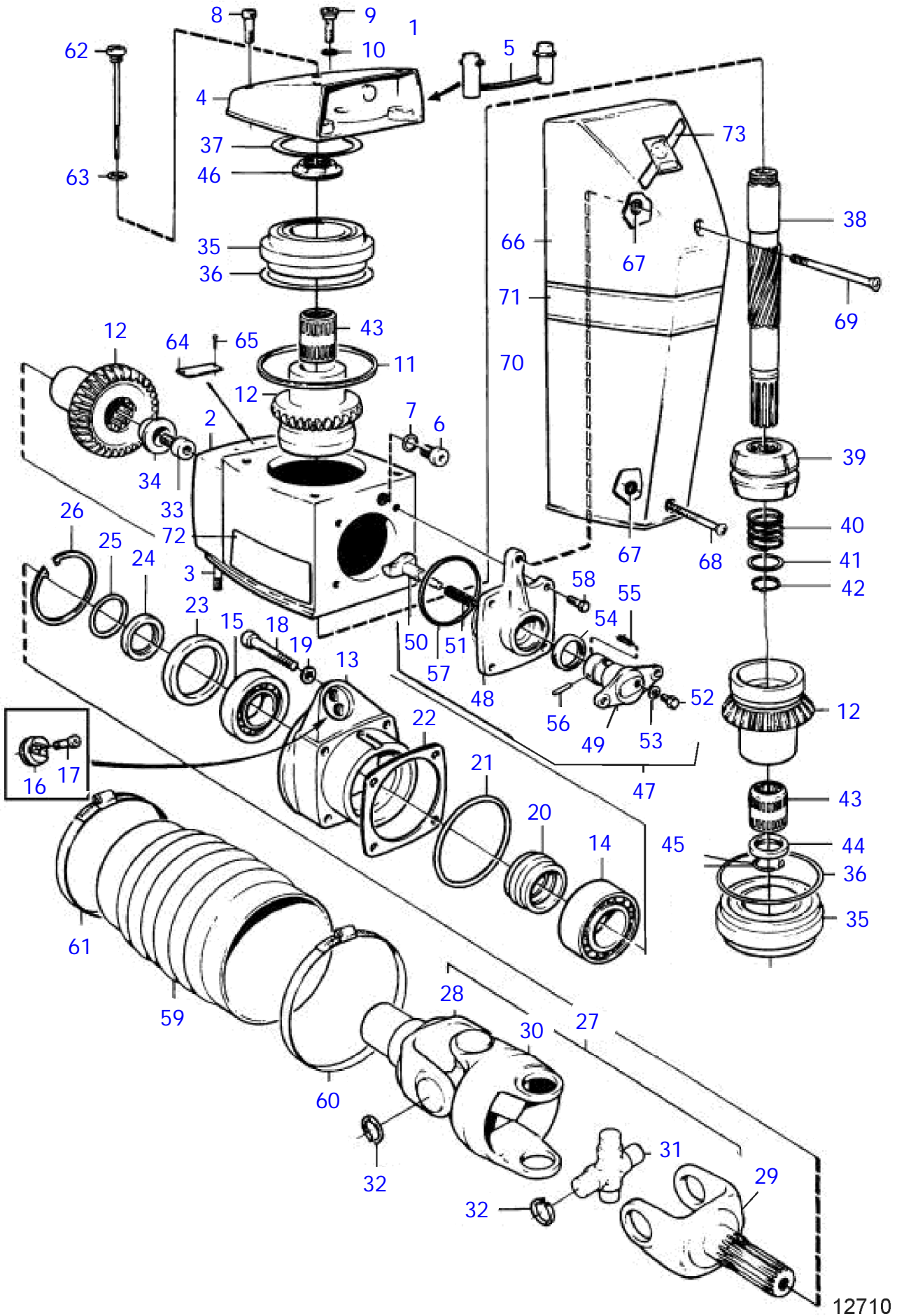
## DP-C1 1.95, DP-C1 2.30

REF	PART NO.	QTY	DESCRIPTION	SEE SEC.	NOTES
1	3868002	1	Aquamatic drive, complete assy, DP-C1 (1.95:1)		
	3803221	1	Aquamatic drive, exc. complete assy, DP-C1 (1.95:1), exch		
	3868008	1	Aquamatic drive, complete assy, DP-C1 (2.30:1)		
	3803222	1	Aquamatic drive, exc. complete assy, DP-C1 (2.30:1), exch		
	873002	1	Gear		
2	854571	1	• Gear housing		
3	977241	2	• Stud		
4	854677	1	• Cardboard tube		
5	(854198)	1	• Plastic plug		Obsolete part
6	814179	1	• Plug		
7	897682	1	• Gasket		
8	941807	3	• Hex. socket screw		
9	814643	1	• Hollow screw		
10	955989	1	• O-ring		
11	832669	1	• Gasket		
12		1	• Gear set		
13	854025	1	• Bearing box		
14	853949	1	• Roller bearing		
15	183247	1	• Roller bearing		
16	852705	1	• Pivot pin		
17	941807	2	• Hex. socket screw		
18	956591	4	• Hex. socket screw		
19	942598	4	• Washer		
20	853484	1	• Pretensioning sleeve		
21	925095	1	• O-ring		
22	853034	1	• Shim, 0.10 mm		
	853035	1	• Shim, 0.15 mm		
	853036	1	• Shim, 0.35 mm		
23	839253	1	• Sealing ring		
24	832675	1	• Washer		
25	956000	1	• O-ring		
26	914538	1	• Snap ring		
27	854615	1	• Universal joint		
			• Bulletin P-44-1-5	P-44-1-5-EN	U-joints
28	854616	1	• • Fork		
29	854617	1	• • Fork		
30	854618	1	• • Intermediate section		
31	854619	2	• • Spider		
32	24383	8	• • Lock ring		
33	854201	1	• Screw		
34	853026	1	• Washer		
35	3852389	2	• Bearing		
36	943869	1	• Shim, 0.05 mm		
	946179	1	• Shim, 0.10 mm		
	943870	1	• Shim, 0.20 mm		
37	941826	1	• Shim, 0.05 mm		
	941827	1	• Shim, 0.20 mm		
	948230	1	• Shim, 0.35 mm		
38	3852292	1	Spindle		
39	854222	1	• Sliding sleeve		
			• Bulletin P-44-1-8	P-44-1-8-EN	Shift mechanism, shift cone and shoe
			• Bulletin P-44-1-18	P-44-1-18-EN	Shift Cone
40	3852296	1	• Spring		
41	3852298	1	• Spacer		
42	951078	1	• Snap ring		
43	3852390	2	• Bearing		
44	854192	1	• Spacer ring		
45	3852295	2	• Locking clip		
46	854228	1	• Nut, 0 mm		
	854229	1	• Nut, 0.20 mm		
	854230	1	• Nut, 0.40 mm		
	3852375	1	• Nut, 0.60 mm		
47	872993	1	• Bearing housing		
48	897816	1	• Eccentric piston		
			• Bulletin P-44-1-7	P-44-1-7-EN	Shift mechanism, eccentric piston
49	839646	1	• Dog		
50	814184	1	• Spring		
51	897711	1	• Screw		
52	897871	1	• Shim		
53	873291	1	• Sealing ring		
54	951924	1	• Spring pin		
55	942871	1	• Clevis pin		
56	925093	1	• O-ring		
57	940169	4	• Hexagon screw		
58	876294	1	• Bellows kit		
			• Bulletin P-44-1-11	P-44-1-11-EN	DPH/DPR U-Joint Bellows
59	853013	1	• • Hose clamp		
60	853012	1	• • Hose clamp		
61	839351	1	• Oil dipstick		
62	955974	1	• O-ring		
63	853706	1	• Type plate		
64	804269	2	• Drive screw		
65	854604	1	Protecting cover		
66	925052	2	O-ring		
67	854661	1	Screw		
68	872027	1	Screw		
69	876636	1	Decal set		

DP-C1 1.95, DP-C1 2.30

REF	PART NO.	QTY	DESCRIPTION	SEE SEC.	NOTES
70	872866	1	• Decal		
71	872868	1	• Decal, port		
	872867	1	• Decal, starboard		
72	854144	1	Sign		

DP-D1 1.68, DP-D1 1.78, DP-D1 1.95, DP-D1 2.30



12710

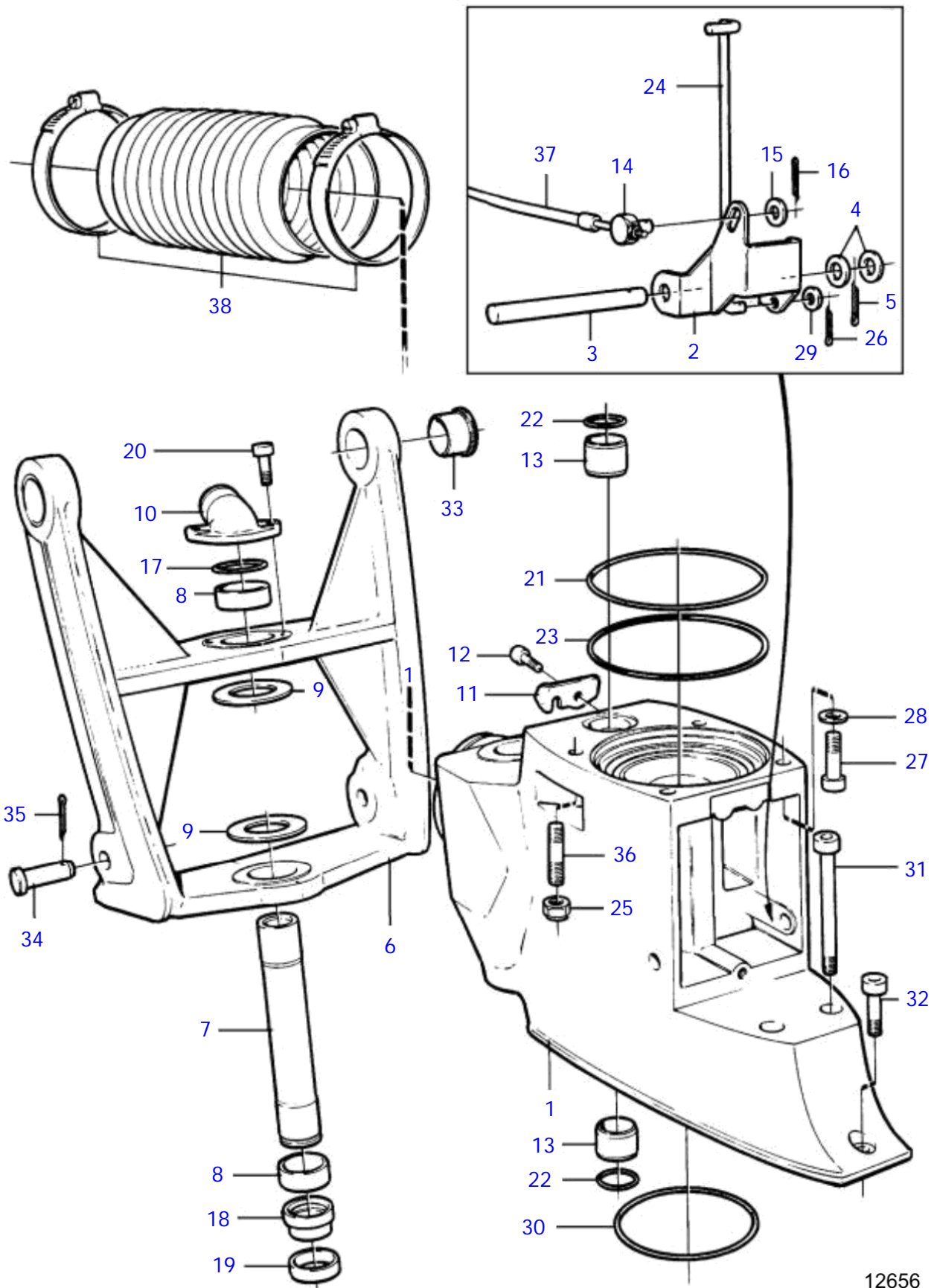
DP-D1 1.68, DP-D1 1.78, DP-D1 1.95, DP-D1 2.30

REF	PART NO.	QTY	DESCRIPTION	SEE SEC.	NOTES
1	3868455	1	Drive, DP-D1		1.68:1
	3868022	1	Aquamatic drive, DP-D1		1.78:1
	(872864)	1	Drive, DP-D1		1.78:1, Obsolete part, Replaced by 3868022
	872862	1	Aquamatic drive, DP-D1		1.95
	872863	1	Aquamatic drive, DP-D1		2.30:1
	3803224	1	Aquamatic drive, exc, DP-D1, exch		2.30:1
	873002	1	Gear		
2	854571	1	• Gear housing		
3	977241	2	• Stud		
4	854677	1	• Cardboard tube		
5	(854198)	1	• Plastic plug		Obsolete part
6	814179	1	• Plug		
7	897682	1	• Gasket		
8	941807	3	• Hex. socket screw		
9	814643	1	• Hollow screw		
10	955989	1	• O-ring		
11	832669	1	• Gasket		
12	873313	1	• Gear		
13	854025	1	• Bearing box		
14	853949	1	• Roller bearing		
15	183247	1	• Roller bearing		
16	852705	1	• Pivot pin		
17	941807	2	• Hex. socket screw		
18	956591	4	• Hex. socket screw		
19	942598	4	• Washer		
20	853484	1	• Pretensioning sleeve		
21	925095	1	• O-ring		
22	853034	1	• Shim, 0.10 mm		
	853035	1	• Shim, 0.15 mm		
	853036	1	• Shim, 0.35 mm		
23	839253	1	• Sealing ring		
24	832675	1	• Washer		
25	956000	1	• O-ring		
26	914538	1	• Snap ring		
27	854615	1	• Universal joint		
			• Bulletin P-44-1-5	P-44-1-5-EN	U-joints
28	854616	1	• • Fork		
29	854617	1	• • Fork		
30	854618	1	• • Intermediate section		
31	854619	2	• • Spider		
32	24383	8	• • Lock ring		
33	854201	1	• Screw		
34	853026	1	• Washer		
35	3852389	2	• Bearing		
36	943869	1	• Shim, 0.05 mm		
	946179	1	• Shim, 0.10 mm		
	943870	1	• Shim, 0.20 mm		
37	941826	1	• Shim, 0.05 mm		
	941827	1	• Shim, 0.20 mm		
	948230	1	• Shim, 0.35 mm		
38	853916	1	• Shaft		
39	873312	1	• Sliding sleeve		
			• Bulletin P-44-1-8	P-44-1-8-EN	Shift mechanism, shift cone and shoe
			• Bulletin P-44-1-18	P-44-1-18-EN	Shift Cone
40	3852296	1	• Spring		
41	854126	1	• Washer		
42	951078	1	• Snap ring		
43	3852390	2	• Bearing		
44	854192	1	• Spacer ring		
45	853888	2	• Lock ring		
46	854228	1	• Nut, 0 mm		
	854229	1	• Nut, 0.20 mm		
	854230	1	• Nut, 0.40 mm		
	3852375	1	• Nut, 0.60 mm		
47		1	• Shift mechanism		
48	872993	1	• • Bearing housing		
49	897816	1	• • Eccentric piston		
			• Bulletin P-44-1-7	P-44-1-7-EN	Shift mechanism, eccentric piston
50	814603	1	• • Dog		
51	814184	1	• • Spring		
52	897711	1	• • Screw		
53	897871	1	• • Shim		
54	873291	1	• • Sealing ring		
55	951924	1	• • Spring pin		
56	942871	1	• • Clevis pin		
57	925093	1	• • O-ring		
58	940169	4	• Hexagon screw		
59	876294	1	• Bellows kit		
			• Bulletin P-44-1-11	P-44-1-11-EN	DPH/DPR U-Joint Bellows
60	853013	1	• • Hose clamp		
61	853012	1	• • Hose clamp		
62	839351	1	• Oil dipstick		
63	955974	1	• O-ring		
64	853706	1	• Type plate		
65	804269	2	• Drive screw		
66	854604	1	Protecting cover		
67	925052	2	O-ring		

DP-D1 1.68, DP-D1 1.78, DP-D1 1.95, DP-D1 2.30

REF	PART NO.	QTY	DESCRIPTION	SEE SEC.	NOTES
68	854661	1	Screw		
69	872027	1	Screw		
70	876636	1	Decal set		
71	872866	1	• Decal		
72	872868	1	• Decal, port		
	872867	1	• Decal, starboard		
73	854144	1	• Sign		

DP-C1 1.95, DP-C1 2.30

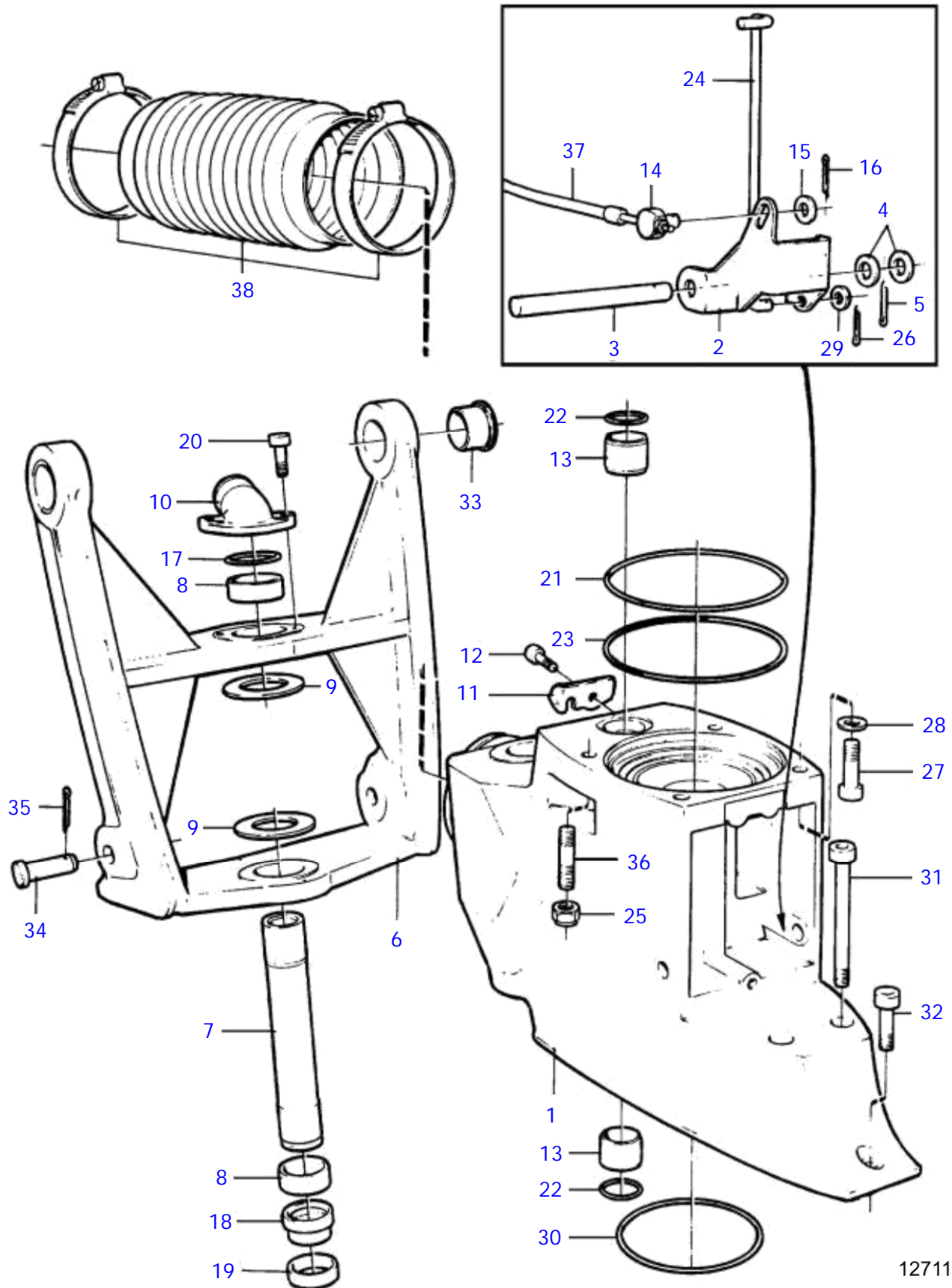


DP-C1 1.95, DP-C1 2.30

REF	PART NO.	QTY	DESCRIPTION
1	872850	1	Intermediate housing
2	872977	1	• Yoke
3	897447	1	• Shaft
4	897511	2	• Washer
5	17253	1	• Split pin
6	872853	1	Fork
7	872753	1	Steering knuckle
8	872756	2	Bearing bushing
9	872754	2	Thrust washer
10	872752	1	Hose connection
11	872940	1	Cable attachment
12	940168	1	Hexagon screw
13	872986	2	Sleeve
14	804312	1	Cube
15	940191	1	Washer
16	17276	1	Split pin
17	979254	1	O-ring
18	873534	1	Retainer
19	872755	1	Sealing ring
20	940169	2	Hexagon screw
21	925259	1	O-ring
22	125017	2	O-ring
23	941826	1	Shim, 0.05 mm
	941827	1	Shim, 0.20 mm
	948230	1	Shim, 0.35 mm
24	872822	1	Control rod
25	941885	2	Lock nut
26	17253	1	Split pin
27	959456	2	Hex. socket screw
28	853095	2	Washer
29	940191	1	Washer
30	925256	1	O-ring
31	941808	2	Hex. socket screw
32	941809	1	Hex. socket screw
33	876507	1	Bushing kit
34	872126	2	Clevis pin
35	967707	2	Split pin
36	977241	2	Stud
37		X	control cable
38	876631	1	Bellows kit



DP-D1 1.68, DP-D1 1.78, DP-D1 1.95, DP-D1 2.30

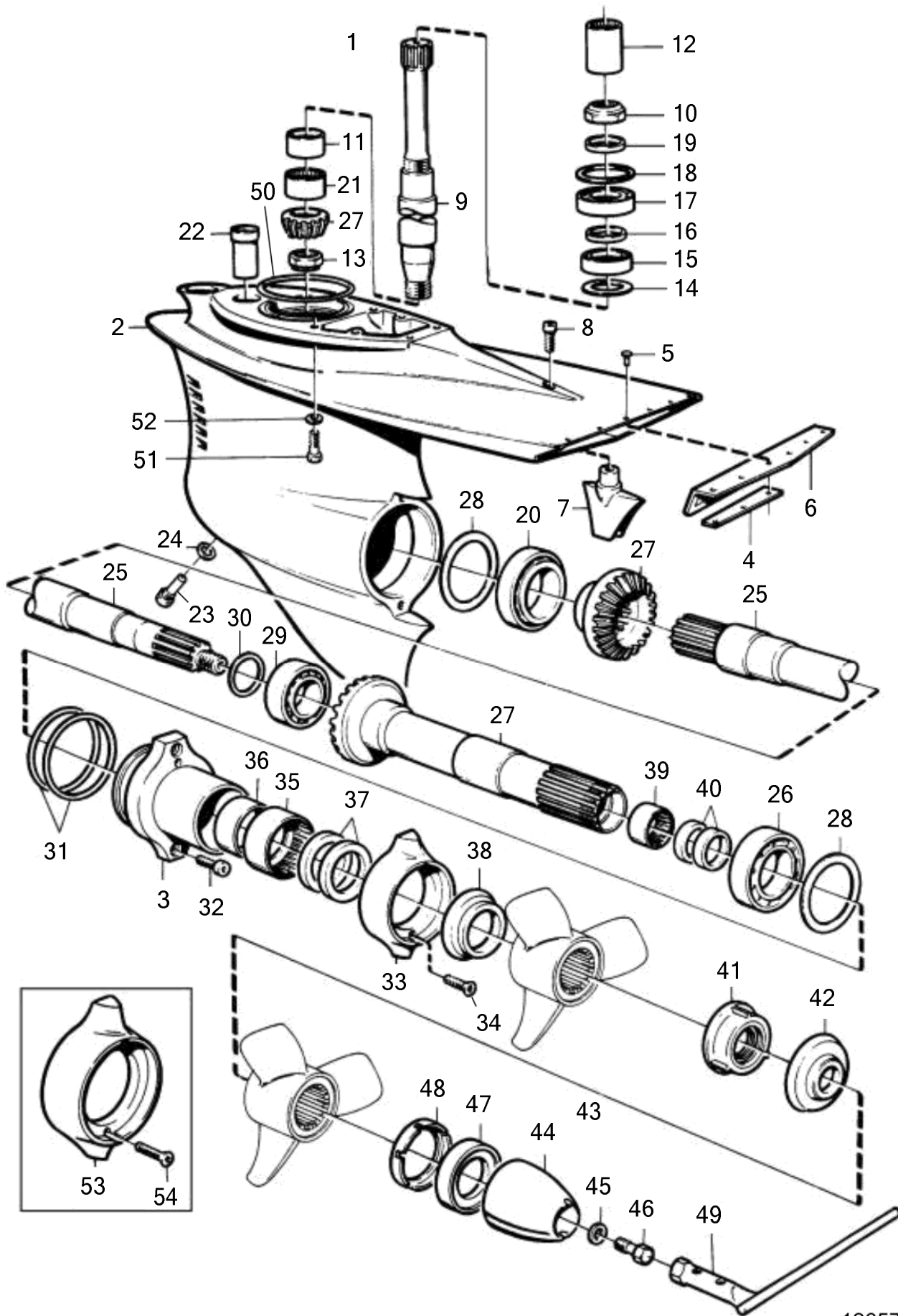


12711

DP-D1 1.68, DP-D1 1.78, DP-D1 1.95, DP-D1 2.30

REF	PART NO.	QTY	DESCRIPTION
1	872850	1	Intermediate housing
2	872977	1	• Yoke
3	897447	1	• Shaft
4	897511	2	• Washer
5	17253	1	• Split pin
6	872853	1	Fork
7	872753	1	Steering knuckle
8	872756	2	Bearing bushing
9	872754	2	Thrust washer
10	872752	1	Hose connection
11	872940	1	Cable attachment
12	940168	1	Hexagon screw
13	872986	2	Sleeve
14	804312	1	Cube
15	940191	1	Washer
16	17276	1	Split pin
17	979254	1	O-ring
18	873534	1	Retainer
19	872755	1	Sealing ring
20	940169	2	Hexagon screw
21	925259	1	O-ring
22	125017	2	O-ring
23	941826	1	Shim, 0.05 mm
	941827	1	Shim, 0.20 mm
	948230	1	Shim, 0.35 mm
24	872822	1	Control rod
25	941885	2	Lock nut
26	17253	1	Split pin
27	959456	2	Hex. socket screw
28	853095	2	Washer
29	940191	1	Washer
30	925256	1	O-ring
31	941808	2	Hex. socket screw
32	941809	1	Hex. socket screw
33	876507	1	Bushing kit
34	872126	2	Clevis pin
35	967707	2	Split pin
36	977241	2	Stud
37		X	control cable
38	876631	1	Bellows kit

DP-C1 1.95, DP-C1 2.30

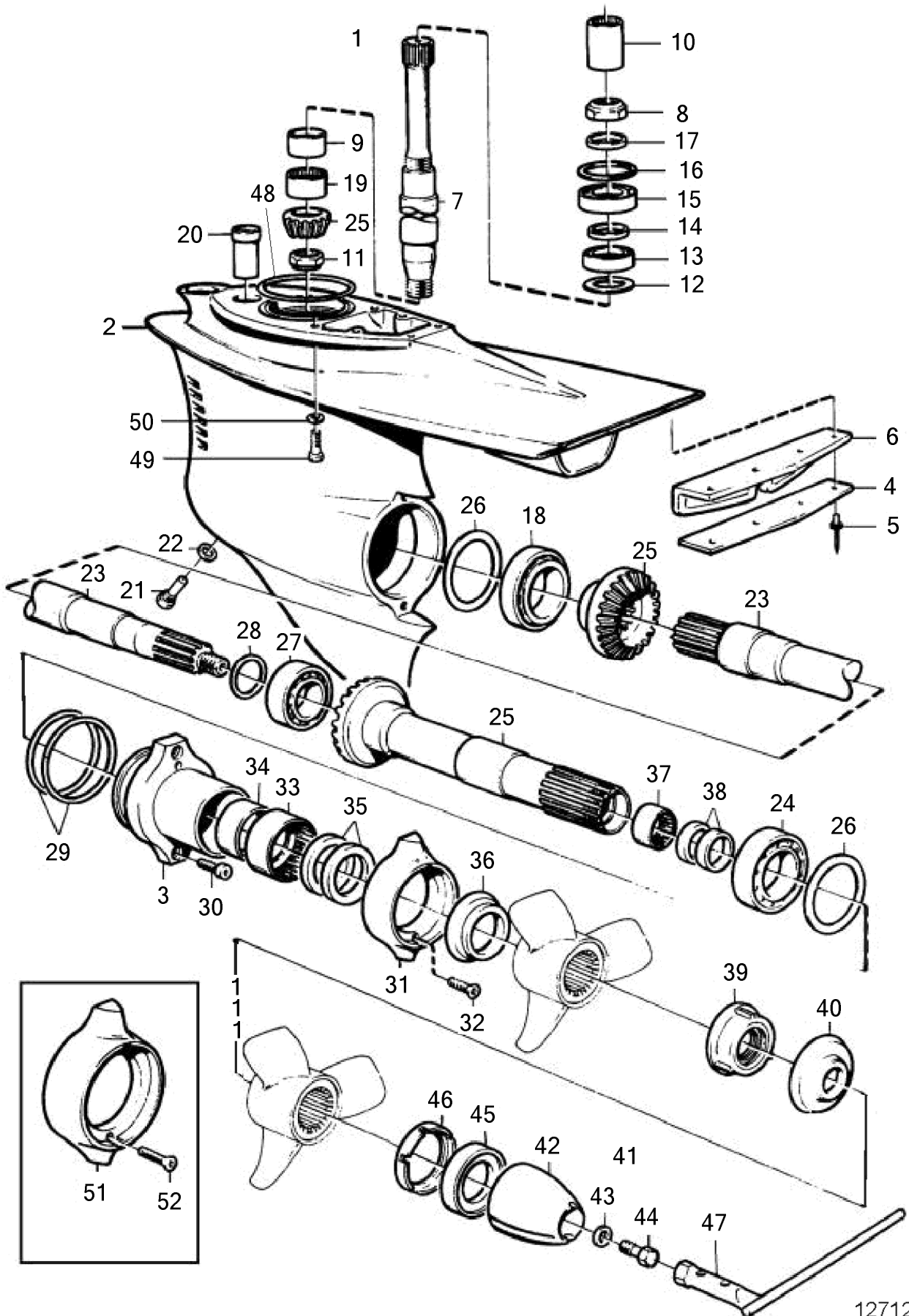


12657

## DP-C1 1.95, DP-C1 2.30

REF	PART NO.	QTY	DESCRIPTION	NOTES
1	872766	1	Lower gear, 1.95:1	
	3803185	1	Gear housing, 1.95:1, exch	
	872765	1	Lower gear, 2.30:1	
	3803184	1	Gear housing, 2.30:1, exch	
2	854051	1	• Housing	
3	854053	1	• • Bearing housing	
4	852643	2	• • Attaching plate	
5	948338	6	• • Blind rivet	
6	852644	1	• • Check valve	
7	854054	1	• Fin	
8	941817	1	• Hex. socket screw	
9	854611	1	• Countershaft	
10	969071	1	• • Round nut	
11	184682	1	• • Inner ring	
12	3852268	1	• • Splined sleeve	
13	852212	1	• Nut	
14	941832	1	• Shim, 0.05 mm	
	941833	1	• Shim, 0.20 mm	
15	183374	1	• Ball bearing	
16	944970	1	• Shim	
17	11072	1	• Roller bearing	
18	944522	1	• Shim, 0.05 mm	
	42981	1	• Shim, 0.10 mm	
	968057	1	• Shim, 0.20 mm	
	42980	1	• Shim, 0.35 mm	
19	897387	1	• Tensioning ring	
20	11044	1	• Roller bearing	
21	184654	1	• Needle roller bushin	
22	814482	1	• Oil strainer	
23	852904	1	• Magnetic plug	
24	955974	1	• O-ring	
25	872533	1	• Propeller shaft	
26	184765	1	• Roller bearing	
27	852174	1	• Drive gear set, 1.95:1	
	852380	1	• Drive gear set, 2.30:1	
28	967352	1	• Shim, 0.05 mm	
	941823	1	• Shim, 0.10 mm	
	967351	1	• Shim, 0.15 mm	
	941824	1	• Shim, 0.20 mm	
	941825	1	• Shim, 0.40 mm	
29	184691	1	• Roller bearing	
30	191834	1	• Shim, 0.10 mm	
	191835	1	• Shim, 0.15 mm	
	191837	1	• Shim, 0.25 mm	
31	925258	2	• O-ring	
32	941812	2	• Hex. socket screw	
33	875821	1	• Zinc ring kit	
34	966808	2	• • Screw	
35	183859	1	• Needle roller bushin	
36	184683	1	• Inner ring	
37	851407	2	• Sealing ring	
38	872871	1	• Thrust ring, front	
39	183272	1	• Needle roller bushin	
40	853871	1	• Sealing ring	
41	3851334	1	• Propeller nut	
42	872872	1	• Thrust ring, rear	
43	872549	1	• Spinner	
44		1	• • Propeller cone	
45	943194	1	• • Washer	
46	872546	1	• • Lock screw	
47	853676	1	• • Spacer ring, for diesel	
48	854294	1	• • Plastic washer	
49	873058	1	• Tool kit, for 872549	
50	925256	1	O-ring	Incl. in duoprop® drive unit.
51	941810	4	Hex. socket screw	Incl. in duoprop® drive unit.
52	853095	4	Washer	Incl. in duoprop® drive unit.
53	876138	1	Anode kit	To be used in fresh water.
54	966808	1	• Screw	

DP-D1 1.68, DP-D1 1.78, DP-D1 1.95, DP-D1 2.30

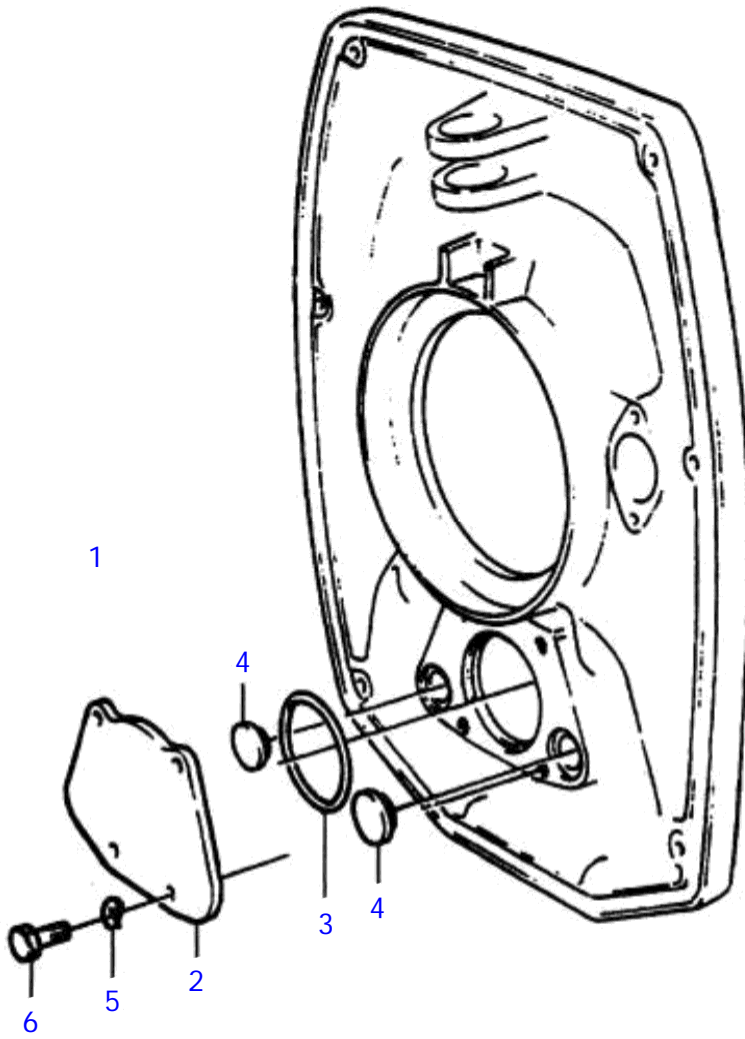


12712

DP-D1 1.68, DP-D1 1.78, DP-D1 1.95, DP-D1 2.30

REF	PART NO.	QTY	DESCRIPTION	NOTES
1	3855615	1	Bracket, 1.68:1	
	872769	1	Lower gear, 1.78:1	
	872768	1	Lower gear, 1.95:1	
	3803187	1	Lower gear, exch, 1.95:1, exch	
	872767	1	Lower gear, 2.30:1	
	3803186	1	Upper gear, exch, 2.30:1, exch	
2	3855628	1	• Gear housing	
	872307	1	• Gear housing	
3	854053	1	• • Bearing housing	
4	872439	1	• • Attaching plate	
5	977711	4	• • Blind rivet	
6	872438	1	• • Check valve	
7	854611	1	• Countershaft	
8	969071	1	• • Round nut	
9	184682	1	• • Inner ring	
10	3852268	1	• • Splined sleeve	
11	852212	1	• Nut	
12	941832	1	• Shim, 0.05 mm	
	941833	1	• Shim, 0.20 mm	
13	183374	1	• Ball bearing	
14	944970	1	• Shim	
15	11072	1	• Roller bearing	
16	944522	1	• Shim, 0.05 mm	
	42981	1	• Shim, 0.10 mm	
	968057	1	• Shim, 0.20 mm	
	42980	1	• Shim, 0.35 mm	
17	897387	1	• Tensioning ring	
18	11044	1	• Roller bearing	
19	184654	1	• Needle roller bushin	
20	814482	1	• Oil strainer	
21	852904	1	• Magnetic plug	
22	955974	1	• O-ring	
23	872533	1	• Propeller shaft	
24	184765	1	• Roller bearing	
25	3855602	1	• Gear set, 1.68:1	
	854464	1	• Gear set, 1.78:1	
	852174	1	• Drive gear set, 1.95:1	
	852380	1	• Drive gear set, 2.30:1	
26	967352	1	• Shim, 0.05 mm	
	941823	1	• Shim, 0.10 mm	
	967351	1	• Shim, 0.15 mm	
	941824	1	• Shim, 0.20 mm	
	941825	1	• Shim, 0.40 mm	
27	184691	1	• Roller bearing	
28	191834	1	• Shim, 0.10 mm	
	191835	1	• Shim, 0.15 mm	
	191837	1	• Shim, 0.25 mm	
29	925258	2	• O-ring	
30	941812	2	• Hex. socket screw	
31	875821	1	• Zinc ring kit	
32	966808	2	• • Screw	
33	183859	1	• Needle roller bushin	
34	184683	1	• Inner ring	
35	851407	2	• Sealing ring	
36	872871	1	• Thrust ring, front	
37	183272	1	• Needle roller bushin	
38	853871	1	• Sealing ring	
39	3851334	1	• Propeller nut	
40	872872	1	• Thrust ring, rear	
41	872549	1	• Spinner	
42		1	• • Propeller cone	
43	943194	1	• • Washer	
44	872546	1	• • Lock screw, m12	
45	853676	1	• • Spacer ring, for diesel	
46	854294	1	• • Plastic washer	
47	873058	1	• Tool kit, for 872549	
48	925256	1	O-ring	
49	941810	4	Hex. socket screw	
50	853095	4	Washer	
51	876138	1	Anode kit	Use in fresh water only.
52	966808	2	• Screw	

DP-C1 1.95, DP-C1 2.30, DP-D1 1.68, DP-D1 1.78, DP-D1 1.95, DP-D1 2.30



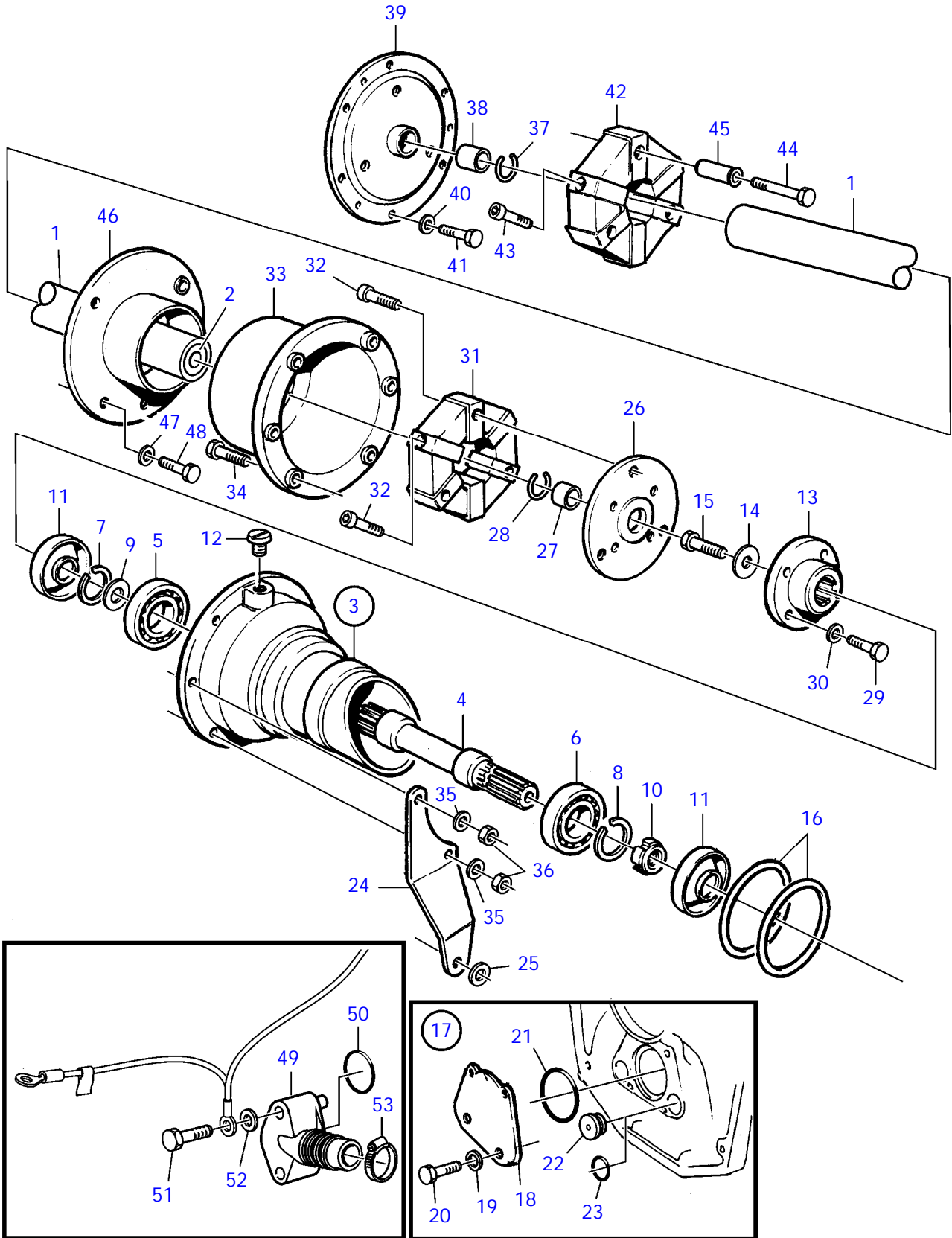
12661

DP-C1 1.95, DP-C1 2.30, DP-D1 1.68, DP-D1 1.78, DP-D1 1.95, DP-D1 2.30

REF	PART NO.	QTY	DESCRIPTION	NOTES
1	(872238)	1	Seal flange kit	
2		1	• Seal flange	Obsolete part
3	925256	1	• O-ring	
4	814473	2	• Closure	
5	941908	4	• Spring washer	
6	970945	4	• Hexagon screw	



DP-C1, DP-D1, DP-S

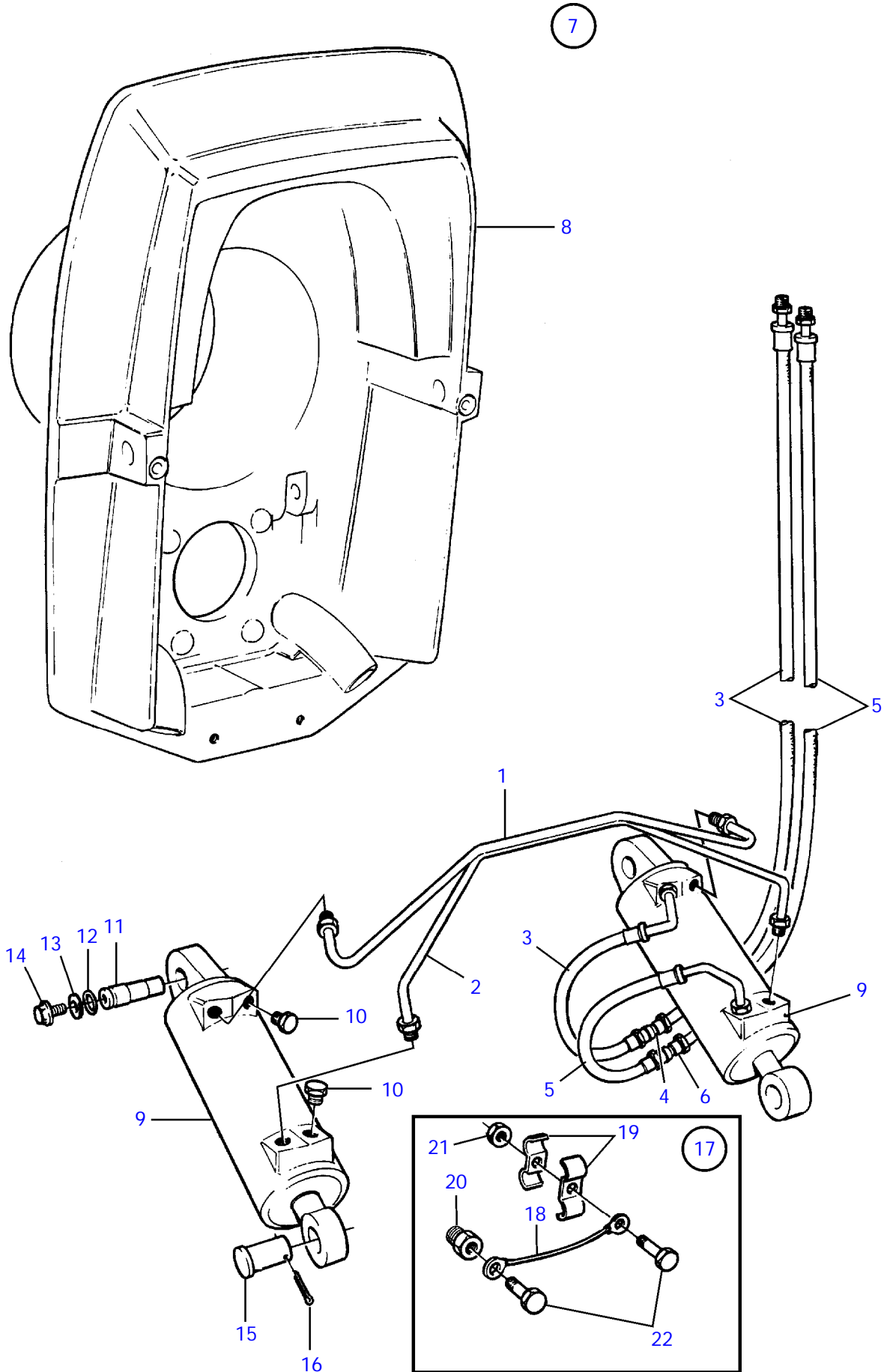


23064

DP-C1, DP-D1, DP-S

REF	PART NO.	QTY	DESCRIPTION	NOTES
1	(853944)	1	Stub axle	L=1,1m, Obsolete part
	853850	1	Stub axle	L=1,65m
2	853830	2	• Insert	
3	3855772	1	Intermediate housing	
4	853841	1	Spindle	
5	183647	1	Roller bearing	
6	11041	1	Roller bearing	
7	914465	1	Snap ring	
8	914533	1	Snap ring	
9	968950	1	Support washer	
10	969072	1	Round nut	
11	958860	2	Sealing ring	
12	804262	1	Plug	
13	838422	1	Clutch flange	
14	947541	1	Washer	
15	946329	1	Flange screw	
16	858464	2	Rubber ring	
17	(872238)	1	Seal flange kit	Obsolete part
18		1	• Seal flange	
19	941908	4	• Spring washer	
20	970945	4	• Hexagon screw	
21	925256	1	• O-ring	
22	814473	2	• Closure	
23	925064	2	O-ring	Alt
24	838935	1	Bracket	P
	838936	1	Bracket	SB
25	955897	22	Washer	
26	853878	1	Attaching plate	
27	853829	1	Bushing	
28	914470	1	Snap ring	
29	945996	4	Hexagon screw	
30	941909	4	Spring washer	
31	853978	1	Clutch	
32	853951	6	• Screw	
33	853838	1	Protecting screen	
34	940160	6	Hexagon screw	
35	941909	6	Spring washer	
36	940157	6	Hexagon nut	
37	914470	1	Snap ring	
38	853829	1	Bushing	
39	853876	1	Attaching plate	
40	941907	6	Spring washer	Early type
41	955297	6	Hexagon screw	Early type
	945444	6	Flange screw	Late type
42	853977	1	Clutch	
43	853951	3	• Screw	
44	853952	3	• Screw	
45	853834	3	Spacer sleeve	
46	853874	1	Protecting screen	
47	941908	4	Spring washer	Early type
48	970947	4	Hexagon screw	Early type
	946329	4	Flange screw	Late type
49	872338	1	Hose connection	
50	925064	1	O-ring	
51	955516	2	Hexagon screw	
52	955893	2	Washer	
53	961669	2	Hose clamp	

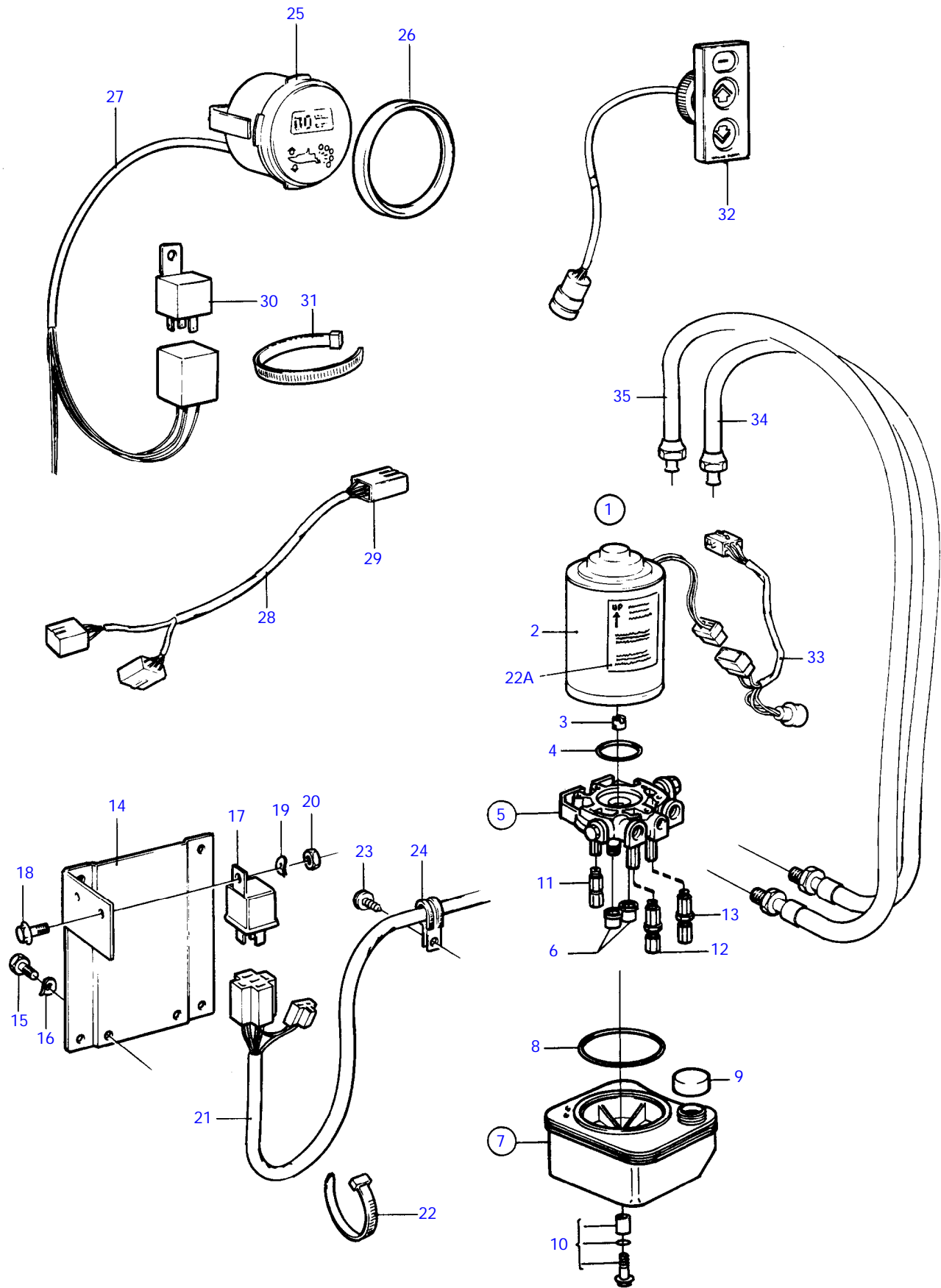
DP-S



DP-S

REF	PART NO.	QTY	DESCRIPTION	NOTES
1	854696	1	Tube	
2	854697	1	Tube	
3	873228	1	Hydraulic hose	
4	960214	1	• O-ring	
5	873229	1	Hydraulic hose	
6	960214	1	• O-ring	
7	876630	1	Shield	
8		1	• Shield	
9	872837	2	Hydraulic cylinder	
10	852879	2	• Plug	
11	872382	2	Spindle	
12	925053	2	O-ring	
13	853059	2	Washer	
14	853060	2	Flange screw	
15	872126	2	Clevis pin	
16	967707	2	Split pin	
17	854625	1	Set, assy.	
18		1	• Ground cable	Not sold separately
19	854628	2	• Clamp	
20	872207	1	• Nipple	
21	944456	1	• Hexagon nut	
22	963545	2	• Hexagon screw	

DP-D1 1.68, DP-D1 1.78, DP-D1 1.95, DP-D1 2.30

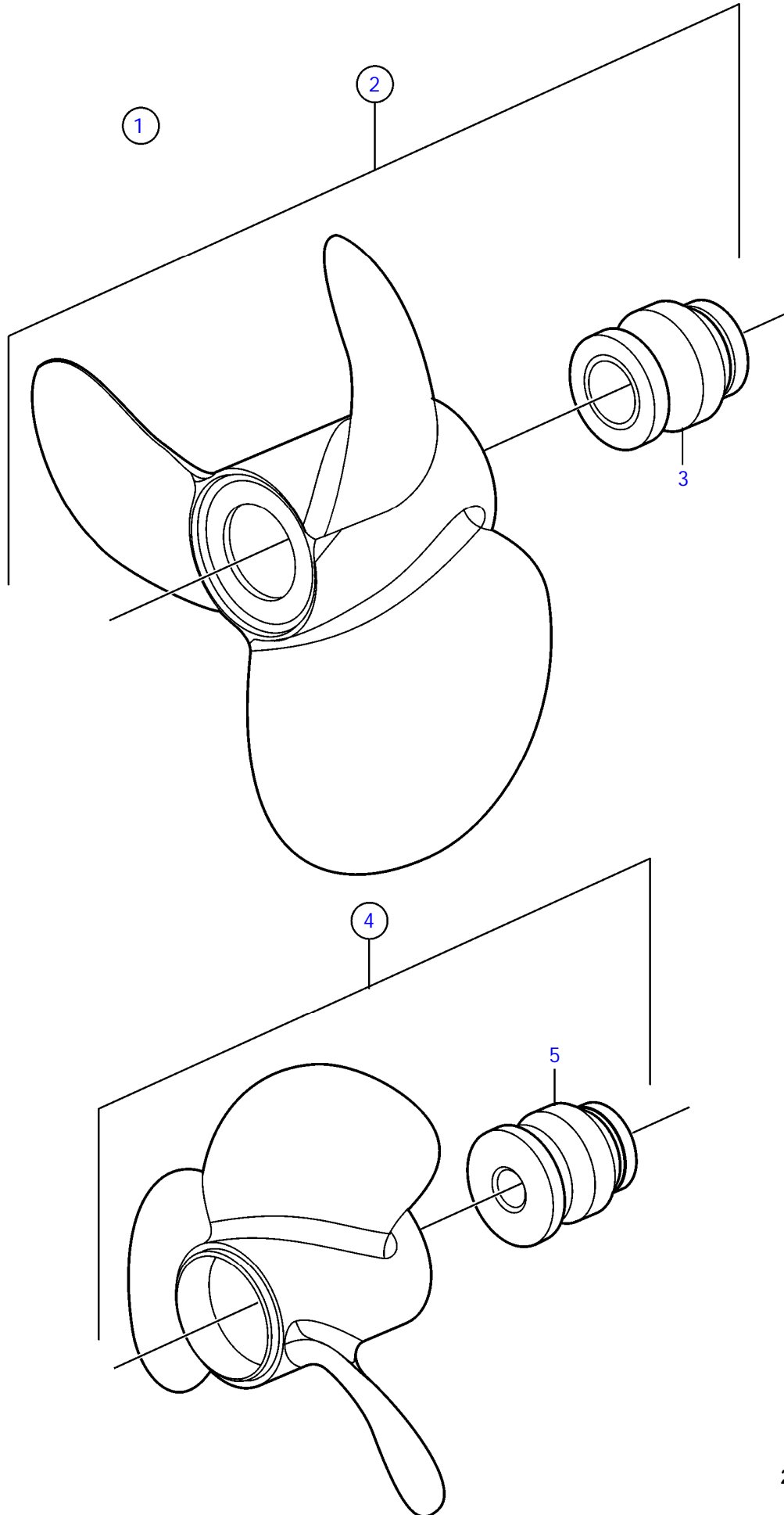


11074

DP-D1 1.68, DP-D1 1.78, DP-D1 1.95, DP-D1 2.30

REF	PART NO.	QTY	DESCRIPTION	NOTES
1	3857006	1	Hydraulic pump, trim	Replaced by 3586765
2	854525	1	• Electrical motor	
3	3858072	1	• Connector	
4	3858073	1	• O-ring	
5	(854528)	1	• Valve housing	Obsolete part
6	3858076	2	• • Filter	
7	854531	1	• Reservoir	
8	3858078	1	• Sealing	
	3861570	1	• Reservoir	
9	3858079	1	• Cardboard tube	
10	854534	1	• Small parts kit	
11	854535	1	• Hydraulic pump	
12	873057	1	• Delivery valve	
13	854537	1	• Pressure box	
14	854438	1	Bracket	
15	970945	2	Hexagon screw	
16	941908	2	Spring washer	
17	854357	2	Relay	
18	948663	2	Flange screw	
19	941905	2	Spring washer	
20	955780	2	Hexagon nut	
21	872448	1	Wiring harness	
22	948211	1	Cable tie	
22A	853097	1	Sign	
23	968476	4	Flange screw	
24	952630	4	Clamp	
25	872498	1	Trimmer	
26	858643	1	Front ring	
27	856821	1	Cable kit	
28	853066	1	Cable trunk	Dual station
29		1	• Cable harness	See group 30
30	872300	2	Relay	Replaced by relay 1324492 and mounting instruction., 12V 30A
	1324492	2	Relay	Nb! changed polarity. see mounting instruction., With built in diod
31	949666	1	Cable tie	
32	3855650	1	Control panel	
33	853032	1	Cable trunk	
	948294	1	• Housing	9-pole
	965822	1	• Cable terminal	3.5x1x2.5
	(853498)	1	• Anode kit	Obsolete part, 3-pole
	853521	1	• Cable terminal	
34	873228	1	Hydraulic hose	
35	873229	1	Hydraulic hose	

DP-C1, DP-D1



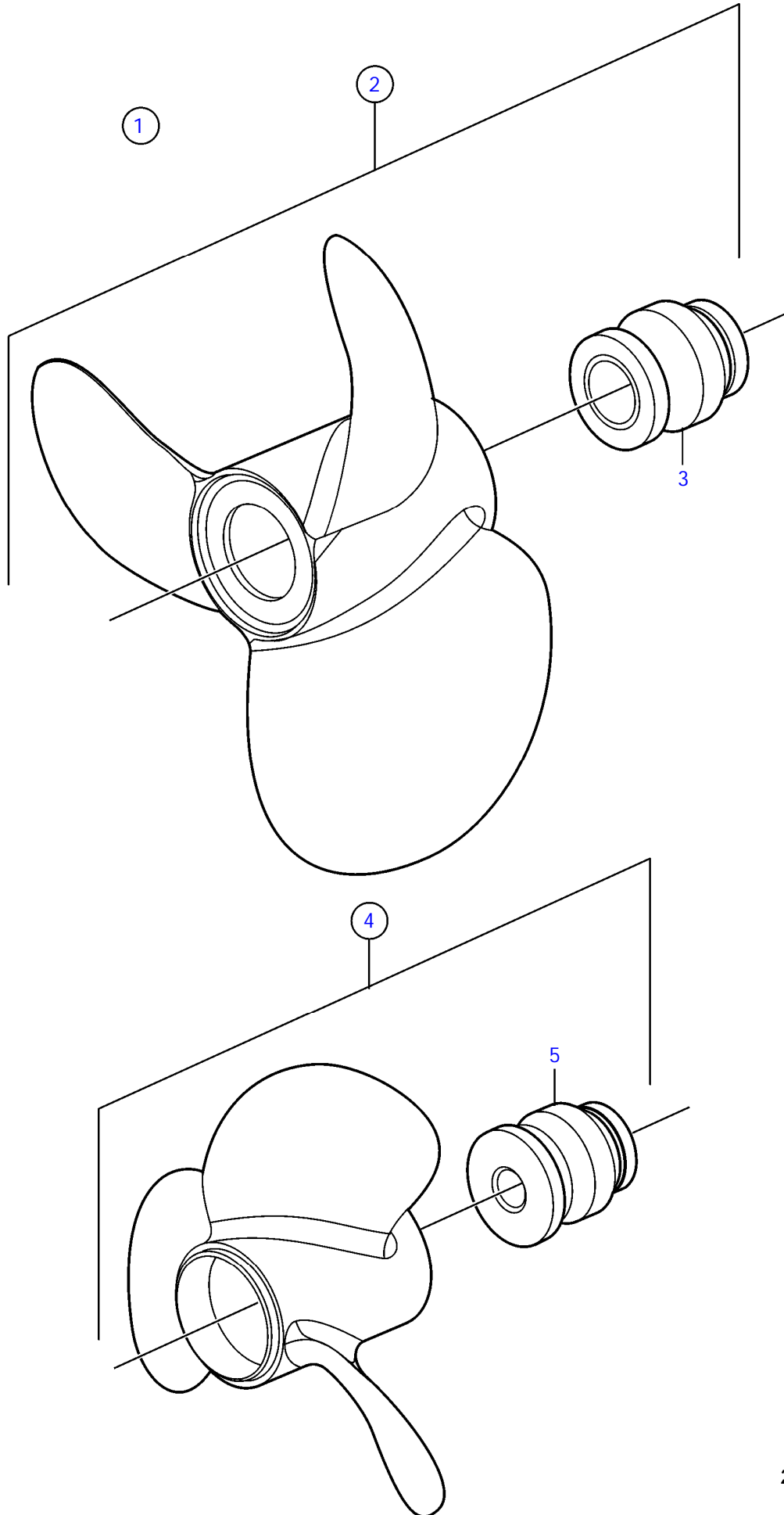
20590

DP-C1, DP-D1

REF	PART NO.	QTY	DESCRIPTION	SEE SEC.	NOTES
1	3860877	1	Propeller, stainless steel • Bulletin P-44-7-1	P-44-7-1-EN	Set, C2 Duoprop Propellers
1	3860878	1	Propeller, stainless steel		Set, C3
	3857495	1	Propeller, stainless steel		Set, C4
	3857496	1	Propeller, stainless steel		Set, C5
	3857497	1	Propeller, stainless steel		Set, C6
	3857498	1	Propeller, stainless steel		Set, C7
2	3860602	1	• Propeller, stainless steel		Front, C2
	3860604	1	• Propeller, stainless steel		Front, C3
	3857461	1	• Propeller, stainless steel		Front, C4
	3857462	1	• Propeller, stainless steel		Front, C5
	3857463	1	• Propeller, stainless steel		Front, C6
	3857464	1	• Propeller, stainless steel		Front, C7
3	872552	1	• • Propeller bushing, front		
4	3860603	1	• Propeller, stainless steel		Rear, C2
	3860605	1	• Propeller, stainless steel		Rear, C3
	3857465	1	• Propeller, stainless steel		Rear, C4
	3857466	1	• Propeller, stainless steel		Rear, C5
	3857467	1	• Propeller, stainless steel		Rear, C6
	3857468	1	• Propeller, stainless steel		Rear, C7
5	872553	1	• • Propeller bushing, rear		



DP-C1, DP-D1

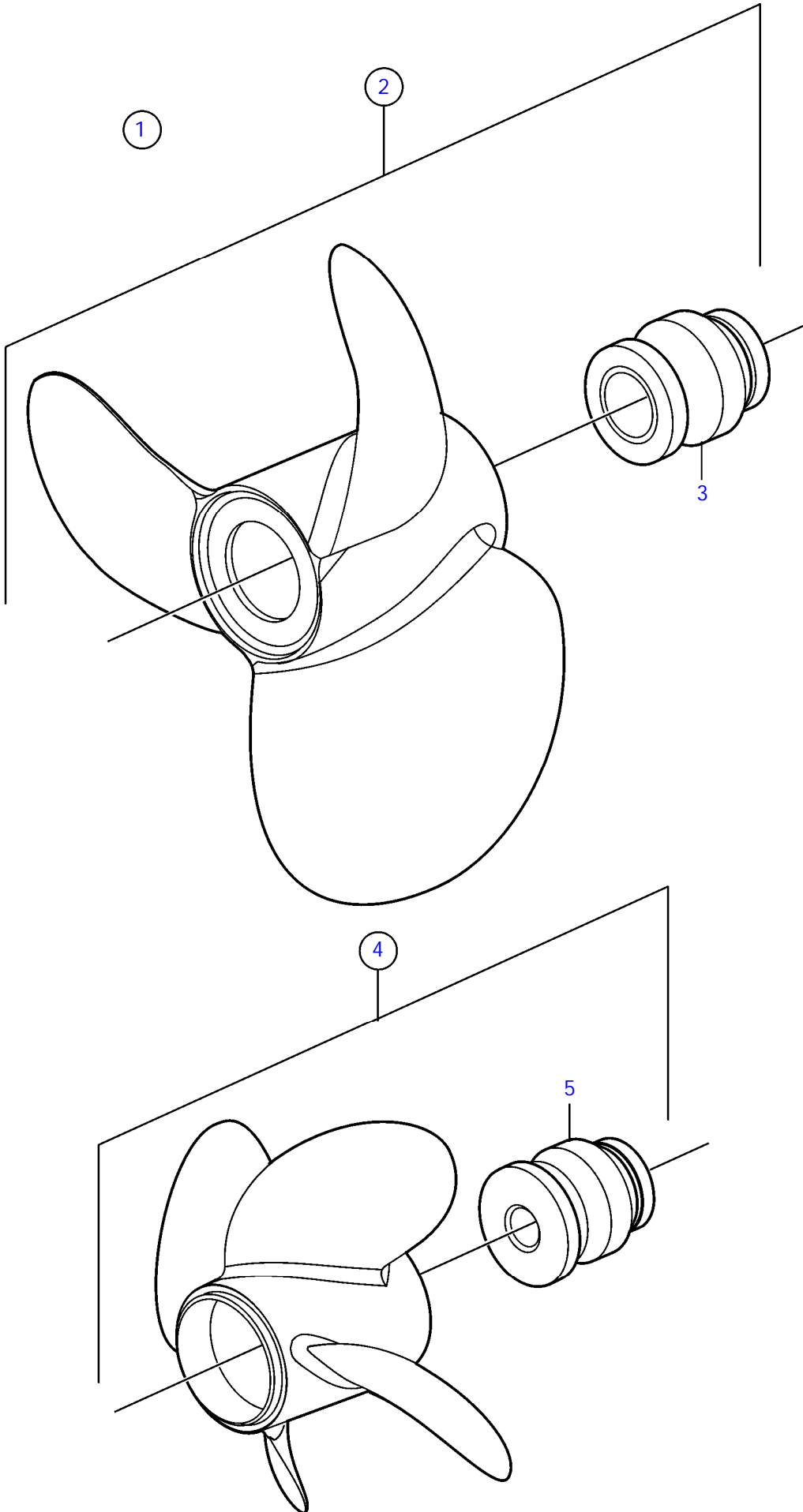


20590

DP-C1, DP-D1

REF	PART NO.	QTY	DESCRIPTION	SEE SEC.	NOTES
1	854814	1	Propeller, aluminum • Bulletin P-44-7-1	P-44-7-1-EN	Set, B1 Duoprop Propellers
1	854815	1	Propeller, aluminum		Set, B2
	854816	1	Propeller, aluminum		Set, B3
	854817	1	Propeller, aluminum		Set, B4
	854818	1	Propeller, aluminum		Set, B5
	854819	1	Propeller, aluminum		Set, B6
	854820	1	Propeller, aluminum		Set, B7
	854821	1	Propeller, aluminum		Set, B8
2	854822	1	• Propeller, aluminum		Front, B1
	854823	1	• Propeller, aluminum		Front, B2
	854824	1	• Propeller, aluminum		Front, B3
	854825	1	• Propeller, aluminum		Front, B4
	854826	1	• Propeller, aluminum		Front, B5
	854827	1	• Propeller, aluminum		Front, B6
	854828	1	• Propeller, aluminum		Front, B7
	854828	1	• Propeller, aluminum		Front, B8
3	3851533	1	• • Bushing, front		
4	854830	1	• Propeller, aluminum		Rear, B1
	854831	1	• Propeller, aluminum		Rear, B2
	854832	1	• Propeller, aluminum		Rear, B3
	854833	1	• Propeller, aluminum		Rear, B4
	854834	1	• Propeller, aluminum		Rear, B5
	854835	1	• Propeller, aluminum		Rear, B6
	854836	1	• Propeller, aluminum		Rear, B7
	854837	1	• Propeller, aluminum		Rear, B8
5	3851534	1	• • Bushing, rear		

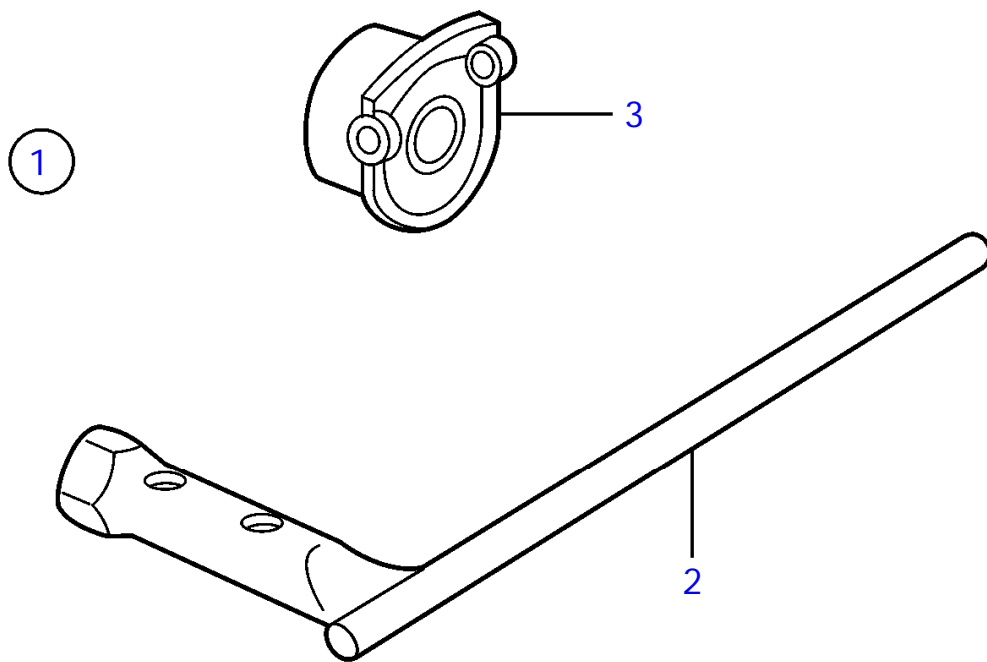
DP-D1



DP-D1

REF	PART NO.	QTY	DESCRIPTION	SEE SEC.	NOTES
1	872270	1	Propeller, aluminum • Bulletin P-44-7-1	P-44-7-1-EN	Set, A0 Duoprop Propellers
1	854764	1	Propeller, aluminum		Set, A1
	854765	1	Propeller, aluminum		Set, A2
	854766	1	Propeller, aluminum		Set, A3
	854767	1	Propeller, aluminum		Set, A4
	854768	1	Propeller, aluminum		Set, A5
	854769	1	Propeller, aluminum		Set, A6
	854770	1	Propeller, aluminum		Set, A7
	854771	1	Propeller, aluminum		Set, A8
	854772	1	Propeller, aluminum		Set, A9
	854773	1	Propeller, aluminum		Set, A10
2	872259	1	• Propeller, aluminum		Front, A0
	854774	1	• Propeller, aluminum		Front, A1
	854775	1	• Propeller, aluminum		Front, A2
	854776	1	• Propeller, aluminum		Front, A3
	854777	1	• Propeller, aluminum		Front, A4
	854778	1	• Propeller, aluminum		Front, A5
	854779	1	• Propeller, aluminum		Front, A6
	854780	1	• Propeller, aluminum		Front, A7
	854781	1	• Propeller, aluminum		Front, A8
	854782	1	• Propeller, aluminum		Front, A9
	854783	1	• Propeller, aluminum		Front, A10
3	3851533	1	• • Bushing, front		
4	872264	1	• Propeller, aluminum		Rear, A0
	854784	1	• Propeller, aluminum		Rear, A1
	854785	1	• Propeller, aluminum		Rear, A2
	854786	1	• Propeller, aluminum		Rear, A3
	854787	1	• Propeller, aluminum		Rear, A4
	854788	1	• Propeller, aluminum		Rear, A5
	854789	1	• Propeller, aluminum		Rear, A6
	854790	1	• Propeller, aluminum		Rear, A7
	854791	1	• Propeller, aluminum		Rear, A8
	854792	1	• Propeller, aluminum		Rear, A9
	854793	1	• Propeller, aluminum		Rear, A10
5	3851534	1	• • Bushing, rear		

DP-C1, DP-D1, DP-C1 1.95, DP-C1 2.30, DP-D1 1.68, DP-D1 1.78, DP-D1 1.95, DP-D1 2.30



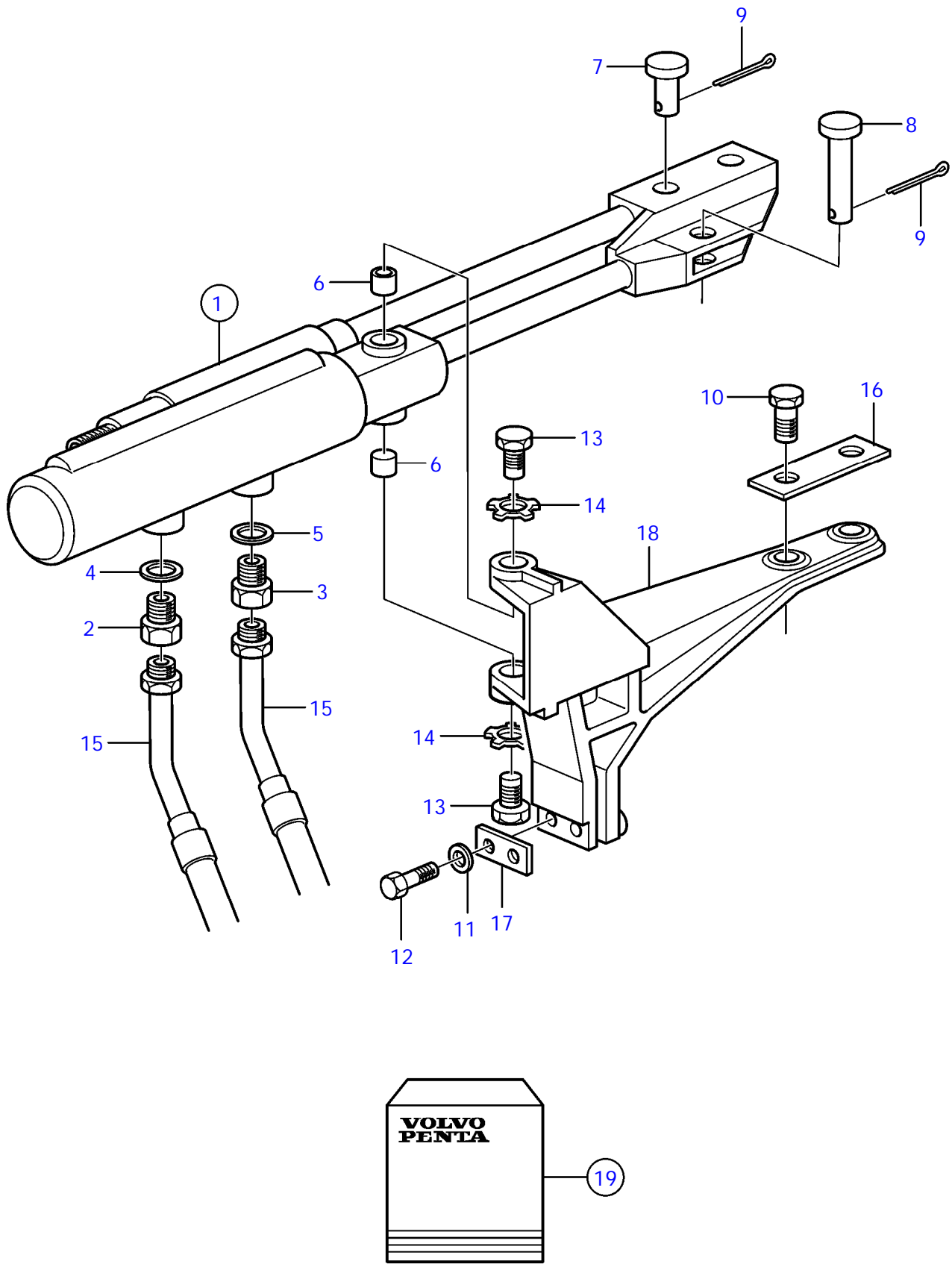
24647

DP-C1, DP-D1, DP-C1 1.95, DP-C1 2.30, DP-D1 1.68, DP-D1 1.78, DP-D1 1.95, DP-D1 2.30

REF	PART NO.	QTY	DESCRIPTION	NOTES
1	873058	1	Tool kit	
2		1	• Tool kit	Not sold separately
3		1	• Sleeve	Not sold separately



DP-C1, DP-D1



20587

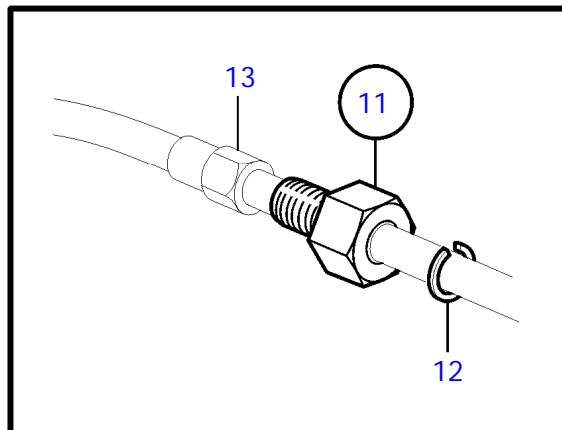
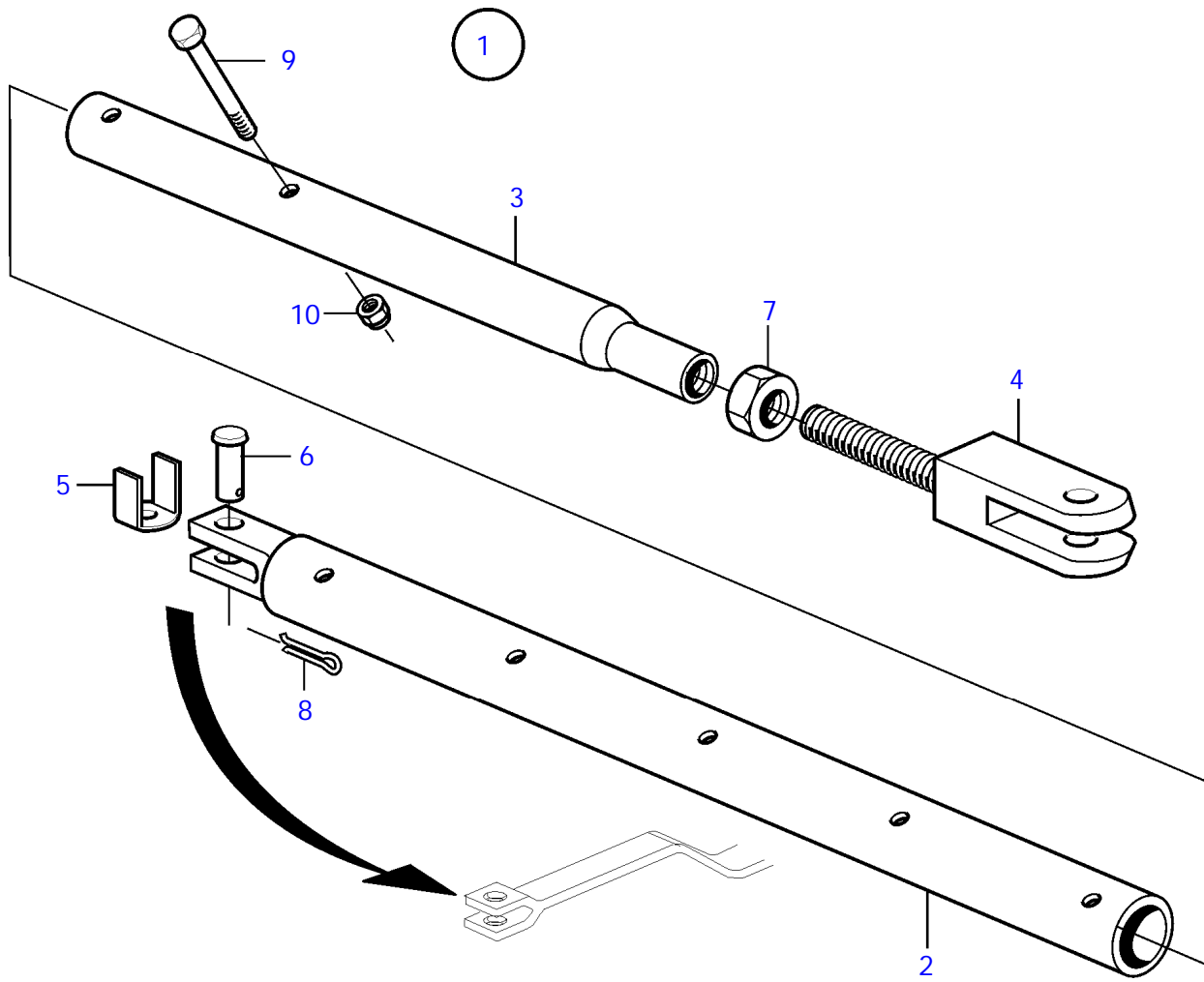


## DP-C1, DP-D1

REF	PART NO.	QTY	DESCRIPTION	NOTES
1	872215	1	Steering cylinder	
2	872698	1	• Nipple	
3	872699	1	• Nipple	
4	955985	1	• O-ring	
5	955982	1	• O-ring	
6	(872700)	2	• Bushing	Obsolete part
7	872490	1	• Split pin	
8	872491	1	• Split pin	
9	949791	2	• Split pin	
10	977625	2	Hexagon screw	
11	941908	2	Spring washer	
12	965185	2	Flange screw	
13	872103	2	Pivot pin	
14	872104	2	Lock washer	
15		2	Hose, steering	See catalog for engine.
16	872311	1	Tab washer	
17	872369	1	Tab washer	
18	872443	1	Bracket	
19	(872697)	1	Sealing ring kit, steering cylinder	For 872215, Obsolete part



DP-C1, DP-D1



20588

DP-C1, DP-D1

REF	PART NO.	QTY	DESCRIPTION	NOTES
1	1140610	1	Link rod kit	L=610-970mm
2	828892	1	• Tube	
3	828893	1	• Tube	
4	828894	1	• Adjusting bar	
5	853160	2	• Lock washer	
6	913158	2	• Clevis pin	
7	955806	1	• Hexagon nut	
8	967707	2	• Split pin	
9	970951	2	• Hexagon screw	
10	971089	2	• Lock nut	
11	1140020	1	Impulse limiter	For twin installation.
12	(1140021)	1	• Lock ring	Obsolete part
13		X	Cable, steering	

## DP-C1, DP-D1

REF	PART NO.	QTY	DESCRIPTION
1	876266	1	Gasket kit, upper gear unit
	17253	2	• Split pin
	17276	1	• Split pin
	125017	1	• O-ring
	181620	2	• Sealing ring
	804344	1	• Gasket
	814168	1	• Gasket
	814356	1	• Sealing
	876278	2	• Bushing kit
	832669	1	• Gasket
	876279	2	• Bushing kit
	853670	1	• Sealing ring
	873291	1	• Sealing ring
	897682	1	• Gasket
	925093	1	• O-ring
	925095	1	• O-ring
	925256	2	• O-ring
	925259	1	• O-ring
	942615	1	• Sealing ring
	955974	1	• O-ring
	955989	1	• O-ring
	956000	1	• O-ring
	876267	1	Gasket kit, lower gear unit
	125017	1	• O-ring
	851407	2	• Sealing ring
	852212	1	• Nut
	853871	1	• Sealing ring
	906633	1	• Round nut
	907023	1	• Lock washer
	925256	1	• O-ring
	925258	2	• O-ring
	941820	1	• O-ring
	955974	1	• O-ring
	969071	1	• Round nut
	872755	1	• Sealing ring

--

DESCRIPTION	SEE SEC.	NOTES
Speedometer Kit, High Speed	663	DP-C1, DP-D1
Control Unit for Digital/Analog Trim Instrument	665	DP-C1, DP-D1



--

DESCRIPTION	SEE SEC.	NOTES
Exhaust and Cooling Water Inlet	7306	DP-S
Shield with Mounting Components	10847	DP-S
Upper Gear Unit	10816	DP-C1 1.95, DP-C1 2.30
Upper Gear Unit	10819	DP-D1 1.68, DP-D1 1.78, DP-D1 1.95, DP-D1 2.30
Intermediate Housing	10817	DP-C1 1.95, DP-C1 2.30
Intermediate Housing	10820	DP-D1 1.68, DP-D1 1.78, DP-D1 1.95, DP-D1 2.30
Lower Gear Unit	10818	DP-C1 1.95, DP-C1 2.30
Lower Gear Unit	10821	DP-D1 1.68, DP-D1 1.78, DP-D1 1.95, DP-D1 2.30
Exhaust Block-off Kit	10675	DP-C1 1.95, DP-C1 2.30, DP-D1 1.68, DP-D1 1.78, DP-D1 1.95, DP-D1 2.30
Jack Shaft Kit	1758	DP-C1, DP-D1, DP-S
Trim Cylinders	35226	DP-S
Hydraulic Pump and Trim Instrument	7622	DP-D1 1.68, DP-D1 1.78, DP-D1 1.95, DP-D1 2.30
Propeller	7315	DP-C1, DP-D1
Propeller	7316	DP-C1, DP-D1
Propeller	7616	DP-D1
Propeller Tool Kit	35389	DP-C1, DP-D1, DP-C1 1.95, DP-C1 2.30, DP-D1 1.68, DP-D1 1.78, DP-D1 1.95, DP-D1 2.30

DESCRIPTION	SEE SEC.	NOTES
Power Steering	7309	DP-C1, DP-D1
Link Rod Kit for Twin Installation	7310	DP-C1, DP-D1

--

DESCRIPTION	SEE SEC.	NOTES
Repair Kits	10839	DP-C1, DP-D1



--

REF	DESCRIPTION	SEE SEC.
30	Electrical System	30
44	Transmissions	44
64	Steering System	64
99	Repair Kits	99

