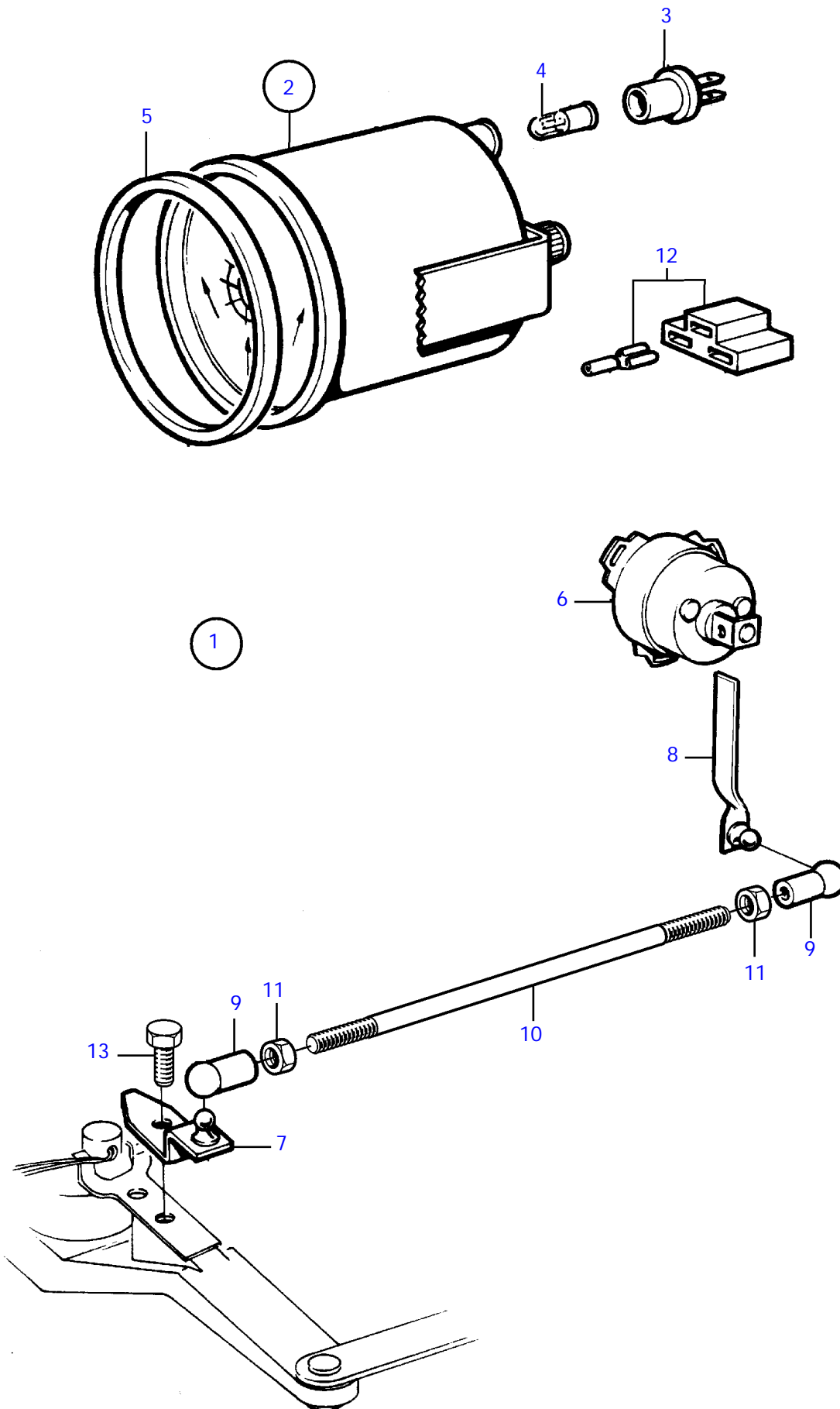
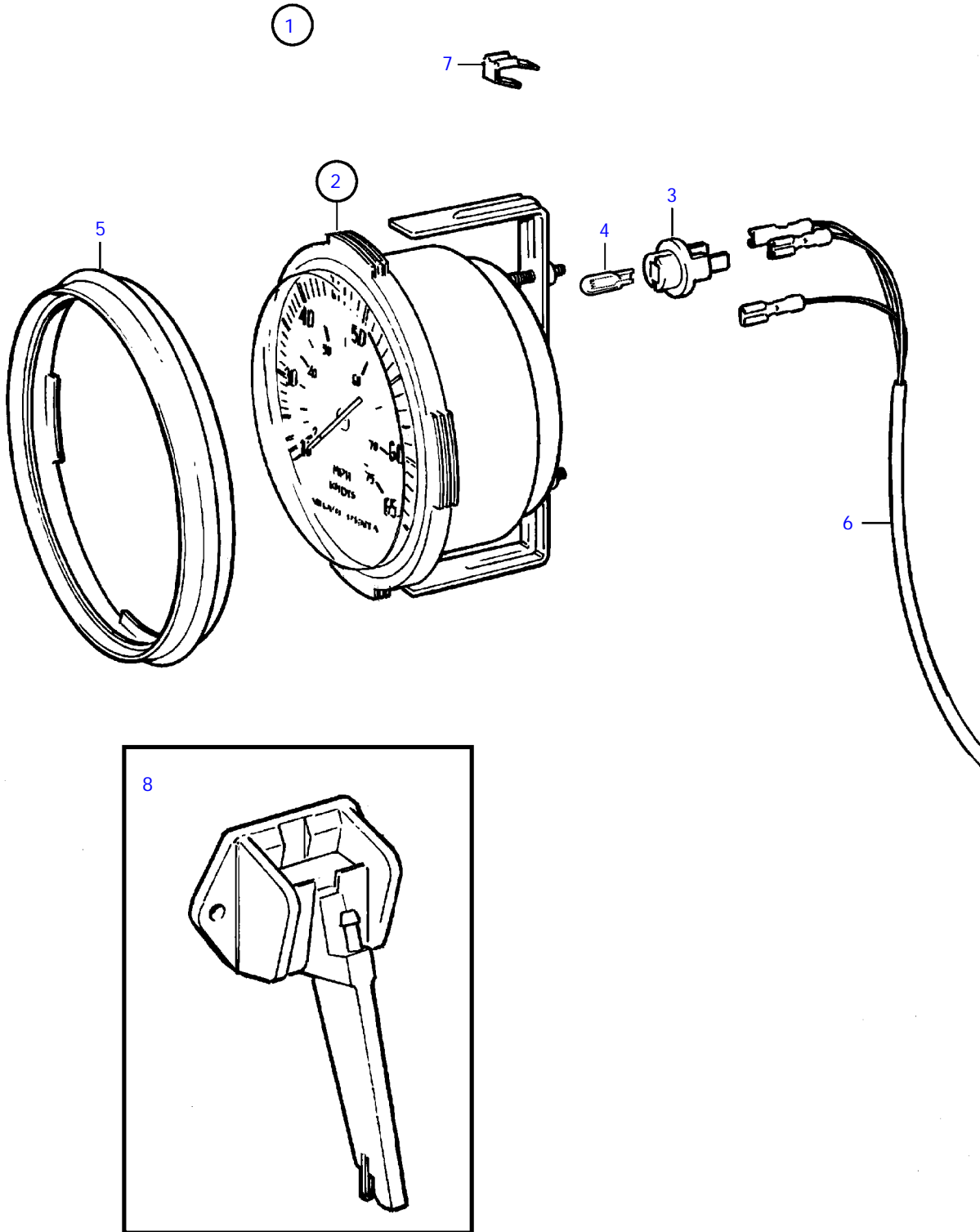


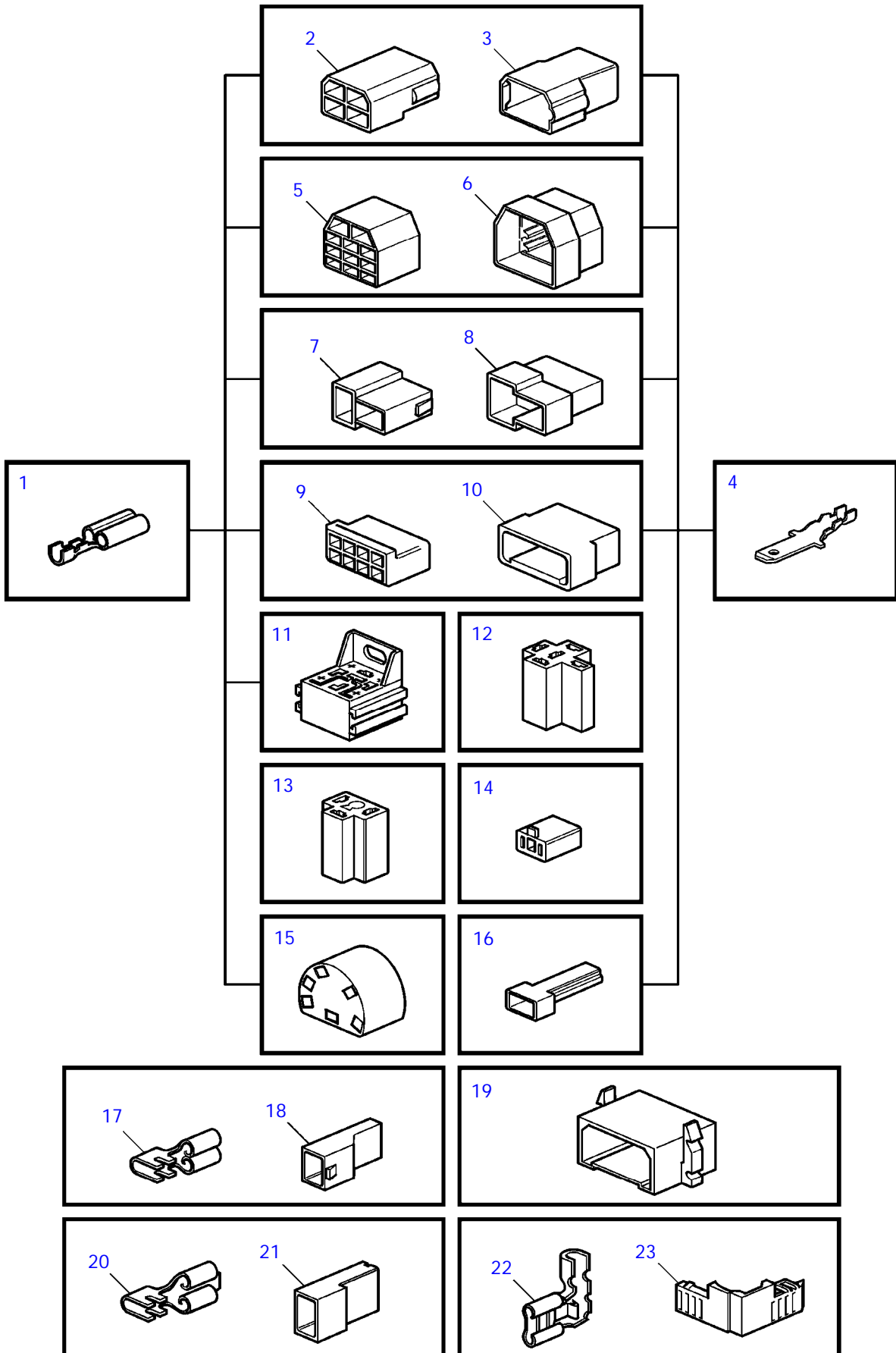
18578



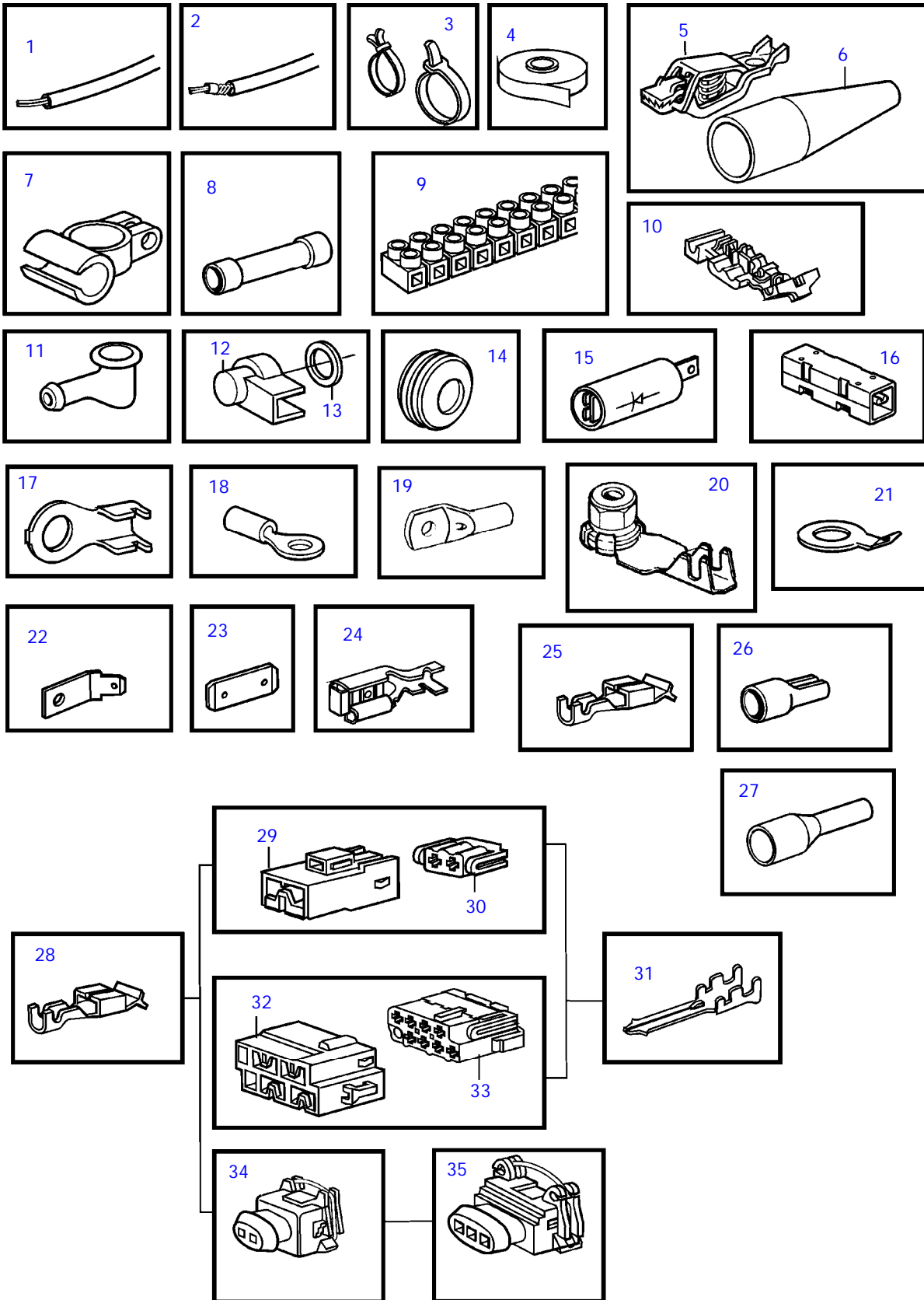
REF	PART NO.	QTY	DESCRIPTION	SEE SEC.	NOTES
1	1140463	1	Rudder indicator kit		
2	863944	1	• Rudder indicator		
3	863945	1	• • Bulb socket		
4	863946	1	• • Bulb		12V, 1,2W RED
5	858643	1	• Front ring		
6	837772	1	• Position sensor		
7	853176	1	• Bracket		
8	853177	1	• Lever		
9	946704	1	• Ball socket		Left hand threads.
	946703	1	• Ball socket		Right hand threads.
10	943549	1	• Control rod		
11	942836	1	• Nut		Left hand threads.
	955780	1	• Nut		Right hand threads.
12		X	• Electrical materials	1963	
13	940199	1	Screw		



18579



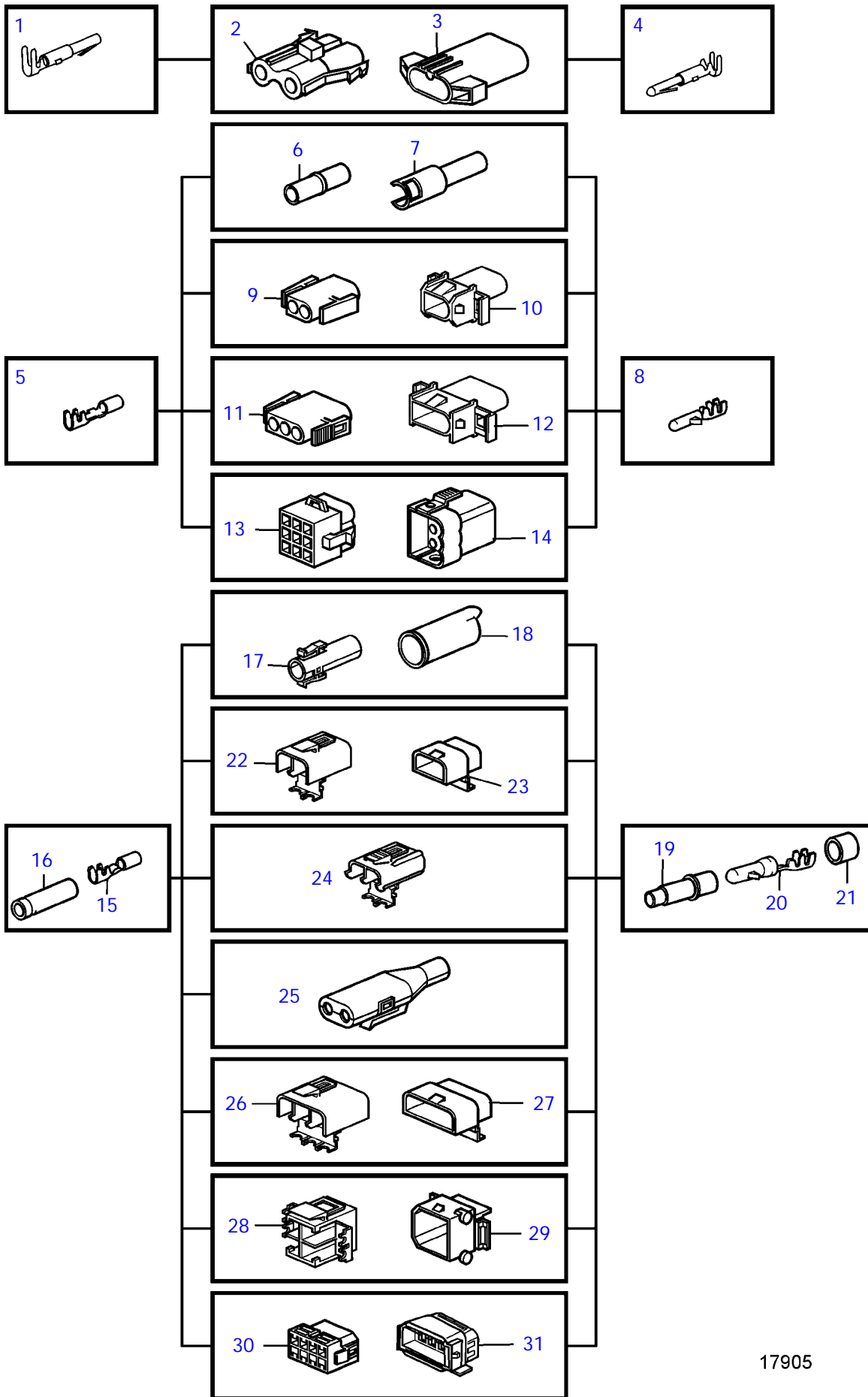
REF	PART NO.	DESCRIPTION	NOTES
1	973150	Cable terminal	6,3x0,8x1,1-2,5sq.mm
	949206	Cable terminal	6,3x0,8x4,0-6,0sq.mm
2	948856	Receptacle housing	6,3x4 NATURAL
3	948855	Tab housing	6,3x4 NATURAL
4	973117	Cable terminal	6,3x0,8x0,5-1,0mm ²
	881487	Cable terminal	6,3x0,8x0,75-2,5sq.mm
	881488	Cable terminal	6,3x0,8x4,0-6,0sq.mm
5	945830	Receptacle housing	6,3x11 NATURAL
6	945831	Tab housing	6,3x11 NATURAL
7	958210	Receptacle housing	6,3x2 BLACK
8	958209	Tab housing	6,3x2 BLACK
9	944076	Receptacle housing	6,3x8 NATURAL
10	948857	Tab housing	6,3x8 NATURAL
11	977184	Tab housing	6,3x5x4,8/2,8x4
12	1214948	Receptacle housing	6,3x5 BLACK
13	945469	Receptacle housing	6,3x3 BLACK
14	1578937	Receptacle housing	6,3x2 NATURAL
15	828624	Receptacle housing	6,3x6
16	958207	Tab housing	6,3x1 BLACK
17	949405	Cable terminal	4,8x1,1-2,5sq.mm
18	947848	Receptacle housing	4,8x1 NATURAL
19	944077	Housing	6,3x8 NATURAL
20	881483	Cable terminal	6,3x0,8x1,1-2,5sq.mm
	881484	Cable terminal	6,3x0,8x4,0-6,0sq.mm
21	949597	Housing	6,3x1 NATURAL
	943511	Receptacle housing	6,3x1 NATURAL
22	881489	Cable terminal	6,3x0,8x1,1-2,5
23	944221	Receptacle housing	6,3x1 NATURAL



18567

REF	PART NO.	DESCRIPTION	NOTES
1	970624	Cable, type RK	1,5sq.mm, BLACK
	970626	Cable, type RK	1,5sq.mm, RED
	970661	Cable, type R2	1,5sq.mm, RED
	970663	Cable, type R2	2,5sq.mm, BLACK
	970698	Cable, type R2	2,5sq.mm, RED
	970700	Cable, type RK	4,0sq.mm, BLACK
		Cable, type RK	6,0sq.mm, BLACK
	970711	Cable, type R2	6,0sq.mm, RED
	954485	Cable, type RK	16,0sq.mm, RED
	954500	Cable, type RK	25,0sq.mm, RED
	954502	Cable, type RK	35,0sq.mm, RED
2	874854	Cable	Non reinforced ship cable approved by classification societies., 2x1,5sq.mm
	863657	Cable	Reinforced ship cable approved by classification societies., 4,0sq.mm, RED
	874855	Cable	Non reinforced ship cable approved by classification societies., 2x2,5sq.mm
	842092	Cable	Non reinforced ship cable approved by classification societies., 3x1,5sq.mm
	874858	Cable	Non reinforced ship cable approved by classification societies., 6,0sq.mm, BLACK
		Cable	Non reinforced ship cable approved by classification societies., 16,0sq.mm, RED
	874861	Cable	Non reinforced ship cable approved by classification societies., 25,0sq.mm, RED
	874862	Cable	Non reinforced ship cable approved by classification societies., 35,0sq.mm, RED
	846639	Cable	Non reinforced ship cable approved by classification societies., 2x1,5sq.mm
	874870	Cable	Non reinforced ship cable approved by classification societies., 2x1,5sq.mm
	872679	Wiring harness	(846346)
	872939	Adapter	(846346)
	874346	Cable	Reinforced ship cable approved by classification societies., RFOU 0,6/1kv
3	948211	Strip clamp	3x1,5sq.mm
	949666	Strip clamp, with mount. hole	3x4,0sq.mm
	948616	Strip clamp	3x6,0sq.mm
	862832	Strip clamp, steel	4x1,5sq.mm
4	858283	Electrical tape	4x2,5sq.mm
5	844280	Cable terminal, battery cable +pole	16x1,5sq.mm
6		Isolator	Red
		Isolator	BLACK
7	954505	Cable terminal, battery cable -pole	D=77mm L=280mm
	954506	Cable terminal, battery cable +pole	D=42mm L=170mm
8	956956	Splice	D=102mm L=362mm
	956958	Splice	1,5-2,5sq.mm, BLUE
	956960	Splice	L=61mm
9	926219	Coupling piece	BLACK
10	944306	Clamp	BLUE
11	829200	Protective cap	0,5-1,0sq.mm, RED
12	1234326	Protective cap	1,5-2,5sq.mm, BLUE
13	960140	Washer	3-6sq.mm, YELLOW
14	941269	Cable grommet	MAX 20sq.mm, 12-POLE
	821053	Rubber bushing	I.D=35mm
	943920	Protecting plug	I.D=40mm
15	20382270	Diode	
16	20382270	Diode	
17	970788	Cable terminal	M5x1,1-2,5sq.mm
	970789	Cable terminal	M6x1,1-2,5sq.mm
		Cable terminal	M10x1,1-2,5sq.mm
18	881492	Cable terminal	M4x1,1-2,5sq.mm
	881493	Cable terminal	M5x1,1-2,5sq.mm
	881508	Cable terminal	M6x1,1-2,5sq.mm
	881494	Cable terminal	M8x1,1-2,5sq.mm

REF	PART NO.	DESCRIPTION	NOTES
	881504	Cable terminal	M10x1,1-2,5sq.mm
	881506	Cable terminal	M4x2,6-6,0sq.mm
	881495	Cable terminal	M5x2,6-6,0sq.mm
	881496	Cable terminal	M6x2,6-6,0sq.mm
	881497	Cable terminal	M8x2,6-6,0sq.mm
	881498	Cable terminal	M10x2,6-6,0sq.mm
	940331	Cable terminal	M5x6,1-10,0sq.mm
	940332	Cable terminal	M6x6,1-10,0sq.mm
	940333	Cable terminal	M8x6,1-10,0sq.mm
		Cable terminal	M10x6,1-10,0sq.mm
	881512	Cable terminal	M5x10,1-16,0sq.mm
	940335	Cable terminal	M6x10,1-16,0sq.mm
	940336	Cable terminal	M8x10,1-16,0sq.mm
	940337	Cable terminal	M10x10,1-16,0sq.mm
19	949587	Cable terminal	M10x10mm2
20	8140576	Nut	M4
21	865758	Cable terminal	I.D=12,5 D=23mm
22	944485	Spade terminal	6,3xM5x180
23	839328	Spade terminal	16,3x6,3x0,8
24	881491	Cable terminal	6,3x0,75-2,1sq.mm
25	853015	Cable terminal	For trim instrument., FOR 853866, YASAKI
26	942429	Cable terminal	FOR 853866, YASAKI
27	3829867	Cable terminal	
	3829868	Cable terminal	
28	970777	Cable terminal	
29	968377	Housing	2,8x2 NATURAL
	968379	Housing	2,8x2 GRAY
30	968376	Housing	4,8/2,8x2 NATURAL
	968378	Housing	4,8/2,8x2 GRAY
31	974313	Cable terminal	2,8x0,8x1,1-2,5sq.mm
32	968401	Housing	2,8x8 NATURAL
33	968400	Housing	4,8/2,8x8 NATURAL
34	976256	Switch	2-POLE
35	967713	Housing	3-POLE

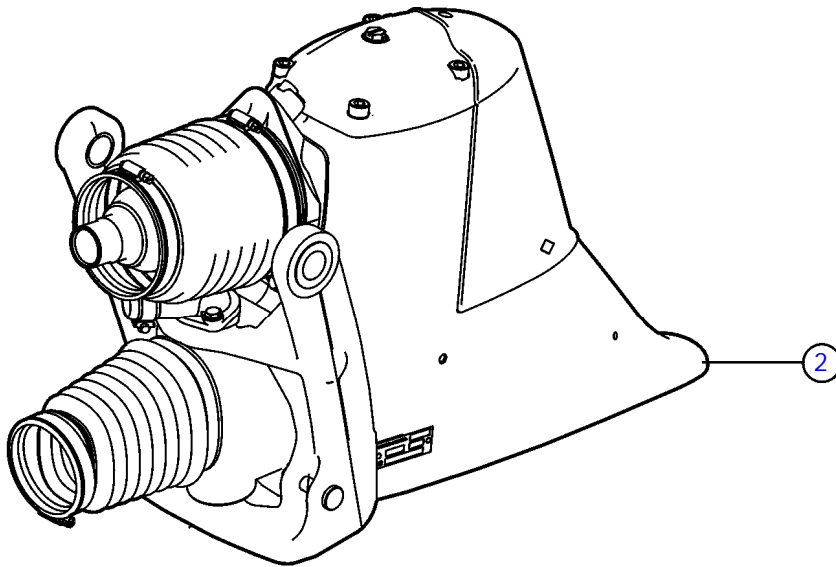


17905

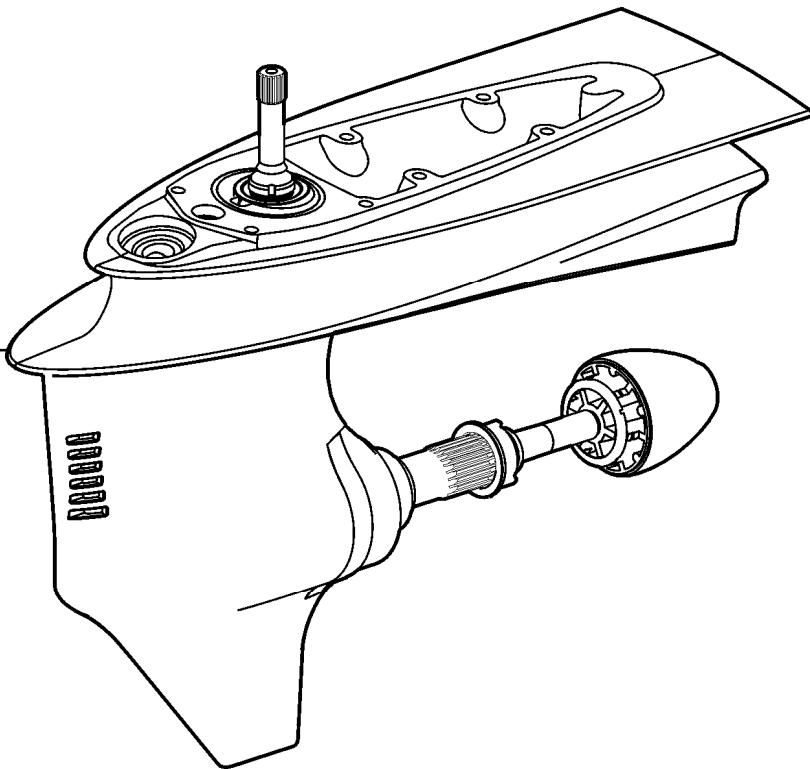
REF	PART NO.	DESCRIPTION	NOTES
1	946038	Cable terminal	2,1x0,5-1mm2
2	944224	Receptacle housing	2-POLE
3	944223	Receptacle housing	2-POLE
4		Cable terminal	Not marketed by Volvo Penta., 2,1x0,5-1mm2
5	965822	Cable terminal	3,5x1,1-2,5sq.mm
	948289	Cable terminal	3,5x2,5-4,0sq.mm
6	949584	Insulator	3,5x1 NATURAL
7	949583	Insulator	3,5x1 NATURAL
8	969831	Cable terminal	3,5x0,5-1mm2
	965824	Cable terminal	3,5x1,1-2,5sq.mm
	965825	Cable terminal	3,5x2,6-4,0sq.mm
9	948996	Receptacle housing	3,5x2 NATURAL
10	948995	Tab housing	3,5x2 NATURAL
11	948296	Housing	3,5x3 NATURAL
12	948297	Insulator	3,5x3 NATURAL
13	948294	Receptacle housing	3,5x9 NATURAL
14	948295	Tab housing	3,5x9 NATURAL
15	949371	Cable terminal	3,5x0,75-1,5mm2
	1598753	Isolator	3,5x2,5-4,5sq.mm
16	1598753	Isolator	
17	1307035	Insulator	1-POLE
18	1308436	Insulator	1-POLE
19	1608765	Isolator	
20	965824	Cable terminal	3,5x2,5-4,5sq.mm
21	1608766	Seal	
22	1307048	Receptacle housing	2-POLE
23	1307049	Tab housing	2-POLE
24	970753	Receptacle housing	2-POLE
25	1624477	Switch	2-POLE
26	1259828	Housing	3-POLE
27	3523442	Housing	3-POLIG (1259829)
28	1259830	Receptacle housing	4-POLE
29	1259831	Housing	4-POLE
30	966812	Receptacle housing	8-POLE
31	967809	Pin housing	8-POLE

DP-G

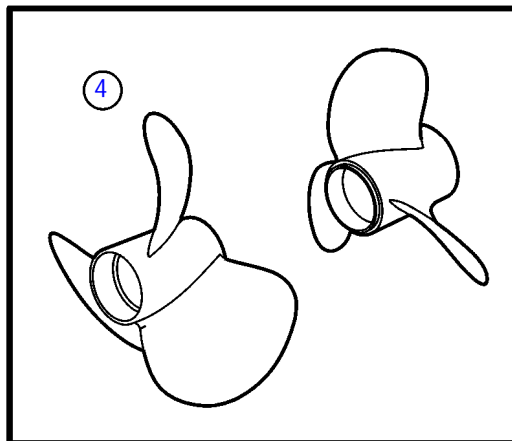
1



3



4

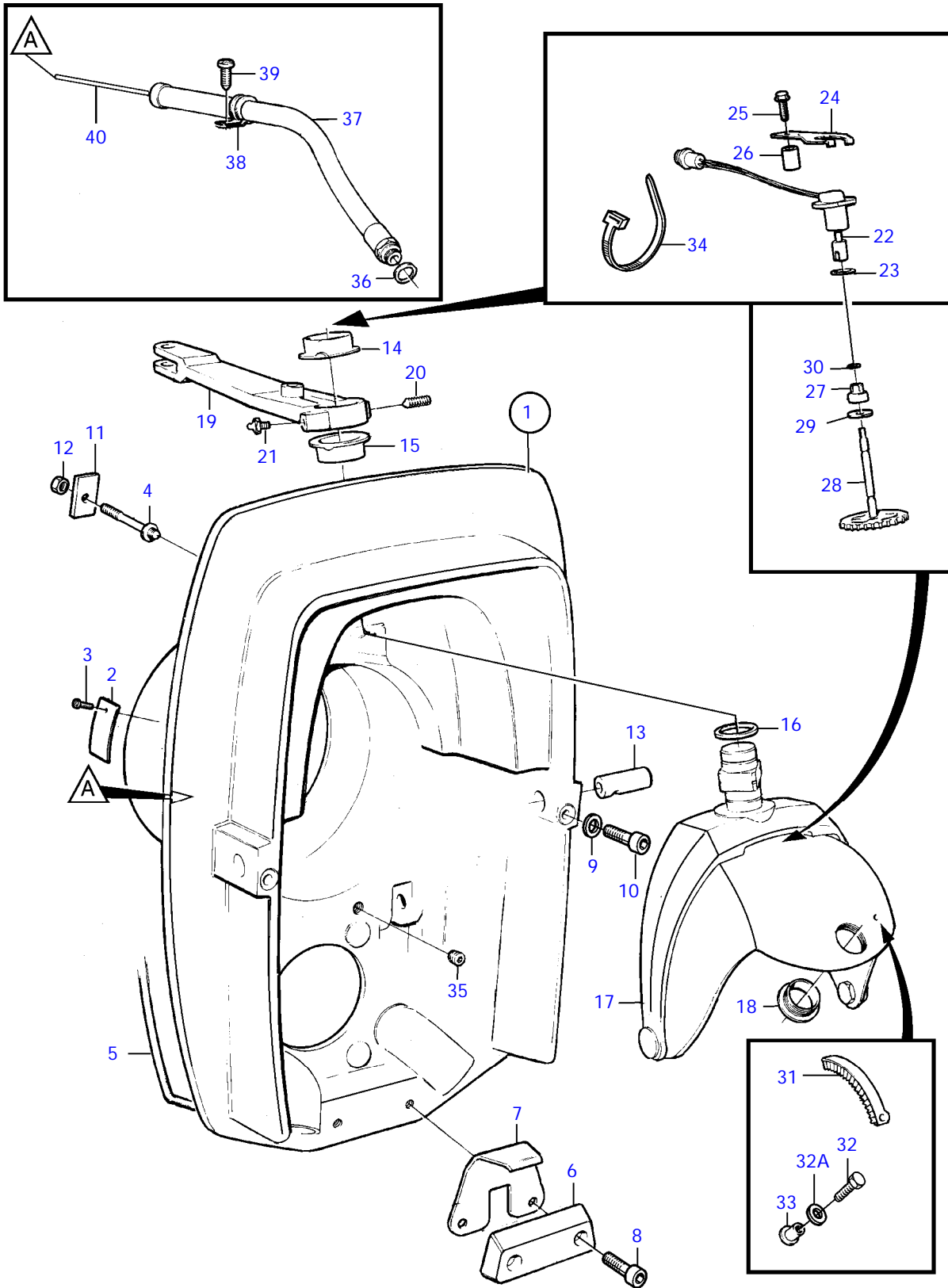


20884

DP-G

REF	PART NO.	QTY	DESCRIPTION	SEE SEC.	NOTES
1	3869109	1	Aq-drive		1.59:1
	3803578	1	Aq-drive,exchange, exch		1.59:1
	3869110	1	Aq-drive		1.68:1
	3803579	1	Aq-drive,exchange, exch		1.68:1
2	3861640	1	• Upper gear unit		
	3803580	1	• Upper gear, exchange, exch		
		1	• • Gear housing, upper	4794	
		1	• • Universal joint	4797	
		1	• • Shaft, vertical	4796	
		1	• • Shift mechanism	4798	
		1	• • Fork, hook up	4795	
3	3861995	1	• Gear housing, lower	4835	1.59:1
	3803582	1	• Gear under, exchange, lower, exch	4835	1.59:1
	3861639	1	• Gear under, lower	4835	1.68:1
	3803581	1	• Gear under, exchange, lower, exch	4835	1.68:1
		1	• • Gear housing, lower	4835	
		1	• • Shaft, vertical	4836	
		1	• • Propeller shaft	4837	
4		X	Propeller, stainless steel	7315	C
		X	Propeller, aluminum	7316	B
		X	Propeller, aluminum	7616	A

DP-G

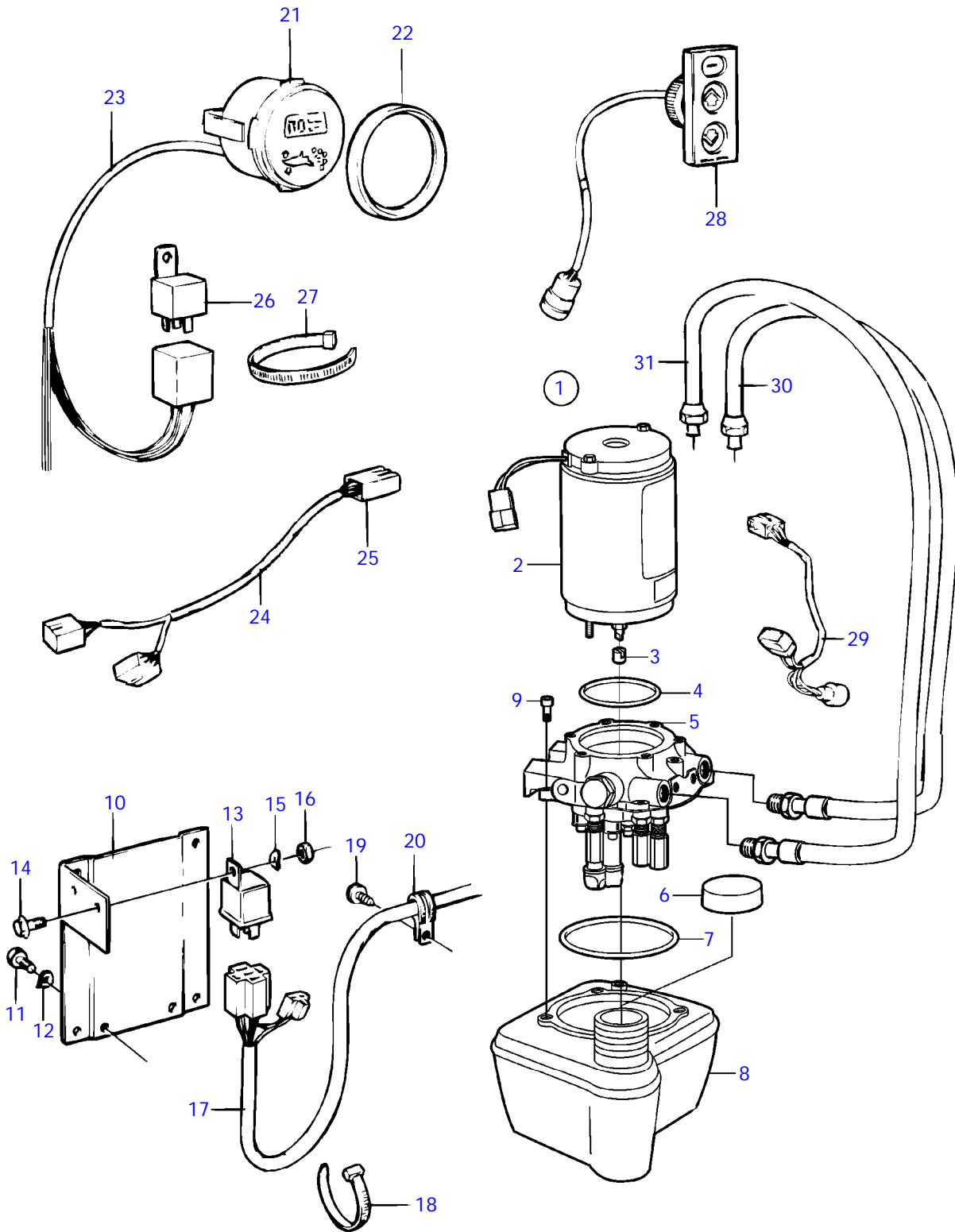


18696

DP-G

REF	PART NO.	QTY	DESCRIPTION	SEE SEC.	NOTES
1		1	Shield	5114	
2	853706	1	• Type plate		
3	804269	2	• Rivet		
4	873316	6	Stud		
5	852868	X	Sealing strip		L=1750mm
6	852835	1	Zinc electrode		ALT
	873178	1	Magnesium anode		To be used in fresh-water., ALT
7	3862171	1	Bracket		
8	946541	2	Screw		
9	941670	2	Washer		
10	963699	2	Screw		
11	852866	6	Washer		
12	963108	6	Nut		
13	872493	2	Pin		
14	854705	1	Bushing		
15	854704	1	Bushing		
16	977313	1	Sealing ring		
17	3857147	1	Steering fork kit		
18	853048	1	• Bushing		
19	872722	1	Spindle arm		
20	947904	1	Set screw		
21	914169	1	Lubricating nipple		
22	873531	1	Potentiometer		
23	955991	1	O-ring		
24	853039	1	Bracket		
25	955298	1	Screw		
26	872355	1	Spacer sleeve		
27	851430	1	Bushing		
28	852984	1	Drive gear		
29	966207	1	Sealing ring		
30	925050	1	O-ring		
31	3856815	1	Gear segment		
32	853759	1	Screw		
32A	941907	1	Spring washer		
33	853760	1	Rivet nut		
34	948211	1	Strip clamp		
35	853215	2	Plug		
36	897745	1	Gasket		
37	839091	1	Hose		
38	952635	1	Clamp		
39	955512	1	Screw		
40		1	Control cable		

DP-G

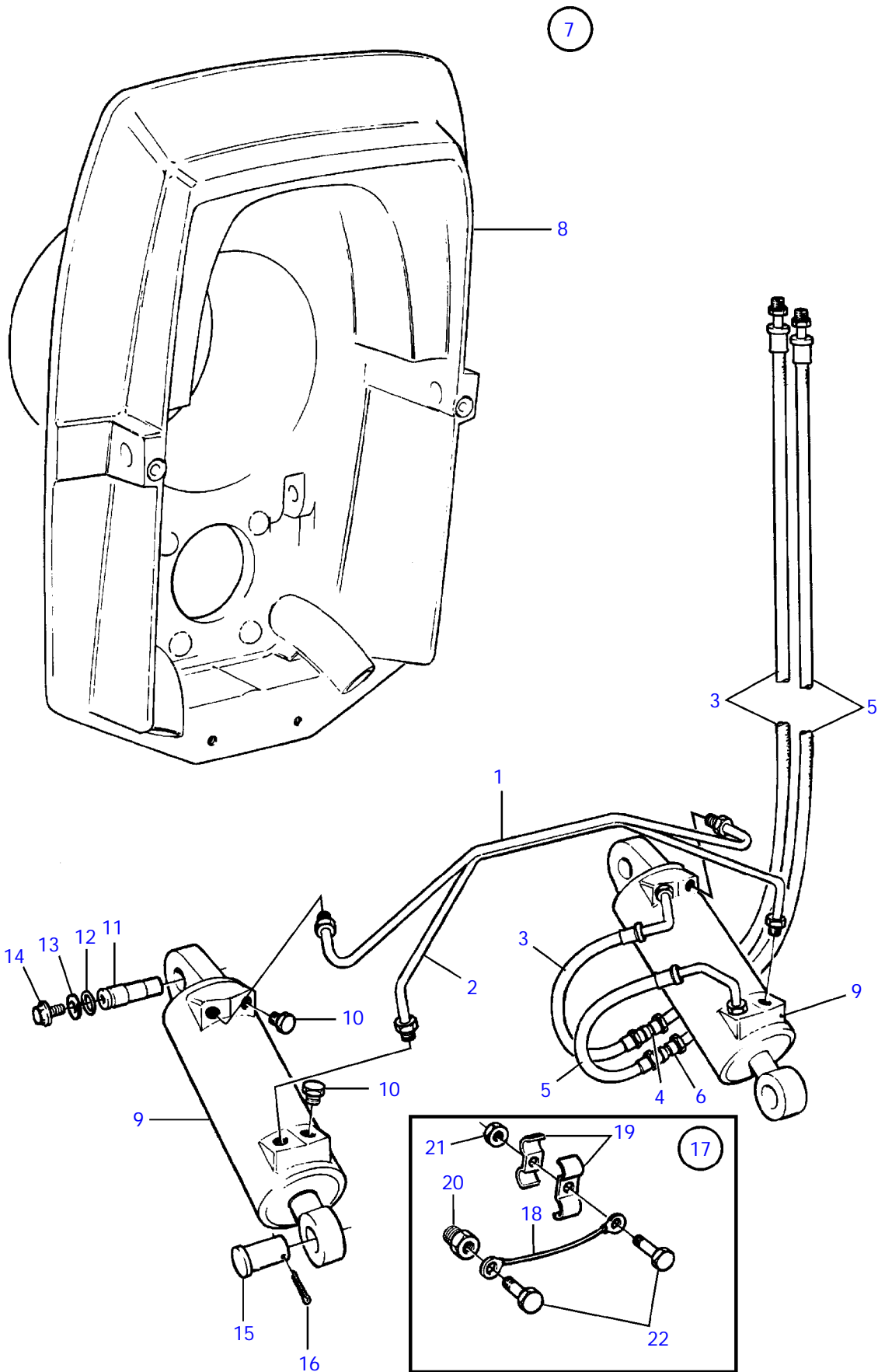


18709

DP-G

REF	PART NO.	QTY	DESCRIPTION	SEE SEC.	NOTES
1	3860880	1	Pump		
2	3861576	1	• Electrical motor		
3	3861577	1	• Connector		
4	3861578	1	• O-ring		
5		1	• Valve body		
6	3861572	1	• Cap		
7	3861573	1	• O-ring		
8	3861570	1	• Reservoir		
9	3861574	4	• Screw		
10	854438	1	Bracket		
11	970945	2	Screw		
12	941908	2	Spring washer		
13	854357	2	Relay		
14	948663	2	Screw		
15	941905	2	Spring washer		
16	955780	2	Nut		
17	872448	X	Cable kit		
18	948211	1	Strip clamp		
19	968476	4	Flange screw		
20	952630	4	Clamp		
21	872498	1	Trim gauge		
22	858643	1	Front ring		
23	856821	1	Cable kit		
24	853066	1	Cable trunk		For double steering positions.
25		X	• Cable harness		SE GROUP 30
26	872300	2	Relay		Replaced by relay 1324492 and mounting instruction., 12V 30A
	1324492	2	Relay		NB! Changed polarity. See mounting instruction., WITH BUILT IN DIOD
27	949666	X	Strip clamp		
28	3855650	1	Control panel		(873617), (853846)
29	853032	1	Cable trunk		
	948294	X	• Receptacle housing		9-POLE
	965822	X	• Cable terminal		3,5x1x2,5
	853498	X	• Receptacle housing		3-POLE
	853521	X	• Cable terminal		FOR 853498
30	873228	1	Hydraulic hose	5114	
31	873229	1	Hydraulic hose	5114	

DP-G



18702

Upd:2008-04-21

18702

7744570-44-5114

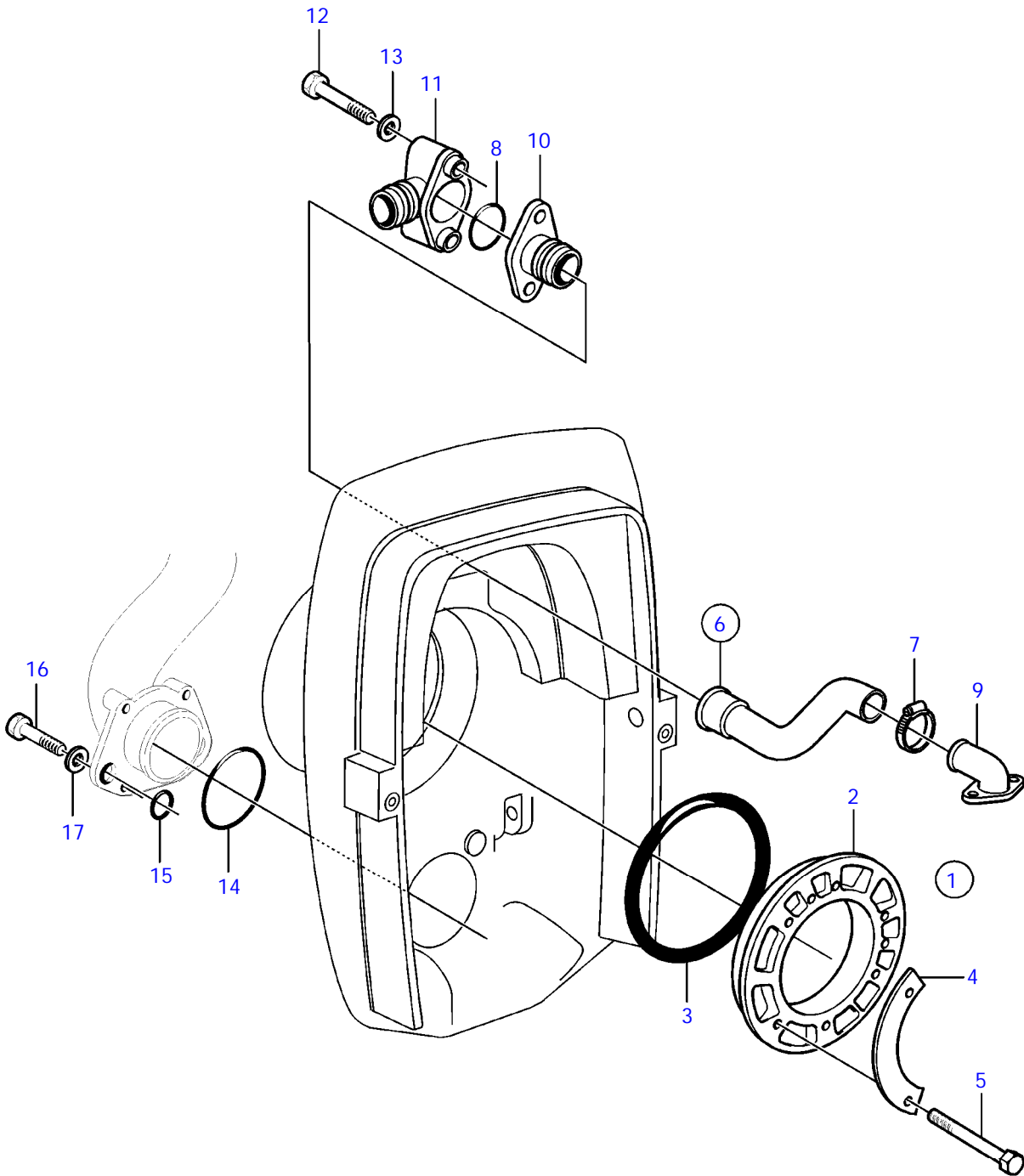


DP-G

DP-G

REF	PART NO.	QTY	DESCRIPTION	SEE SEC.
1	854696	1	Tube	
2	854697	1	Tube	
3	873228	1	Hydraulic hose	
4	960214	1	• O-ring	
5	873229	1	Hydraulic hose	
6	960214	1	• O-ring	
7	3856809	1	Shield	
8		1	• Shield	5110
9	3860881	2	Trimming cylinder	
10	852879	2	• Plug	
11	872382	2	Pin	
12	925053	2	O-ring	
13	853059	2	Washer	
14	853060	2	Flange screw	
15	872126	2	Clevis pin	
16	967707	2	Cotter pin	
17	854625	1	Ground cable, assy.	
18		1	• Ground cable	
19	854628	2	• Clamp	
20	872207	1	• Nipple	
21	944456	1	• Nut	
22	963545	2	• Screw	

DP-G

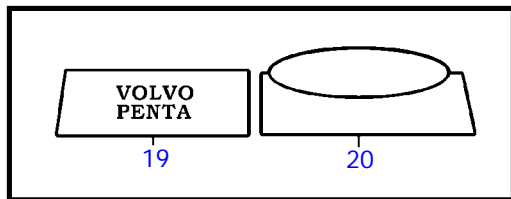
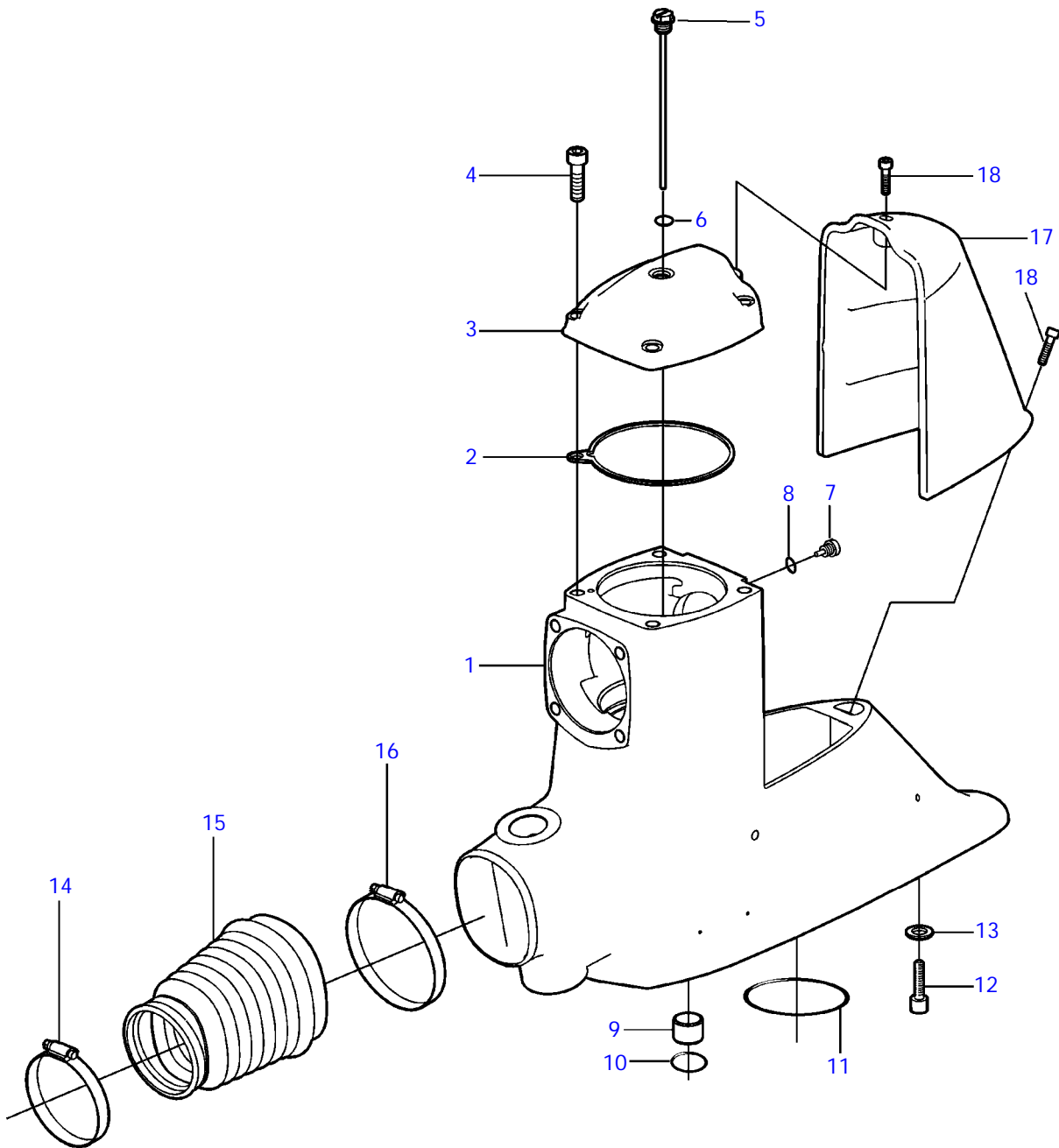


20871

DP-G

REF	PART NO.	QTY	DESCRIPTION	NOTES
1		1	Clamping ring kit	See catalog for engine.
2		1	• Clamping ring	See catalog for engine.
3		2	• Ring	See catalog for engine.
4	806624	3	• Striker plate	
5	191844	6	• Screw	
6	876632	1	Hose kit	
7	853548	1	• Hose clamp	
8	925064	1	• O-ring	
9	872752	1	Hose connection	
10	872334	1	Nipple	
11	872338	1	Hose nipple	
12	955516	2	Screw	
13	955893	2	Washer	
14	925256	1	O-ring	
15	925064	2	O-ring	
16	947790	4	Flange screw	
17	976945	4	Washer	

DP-G

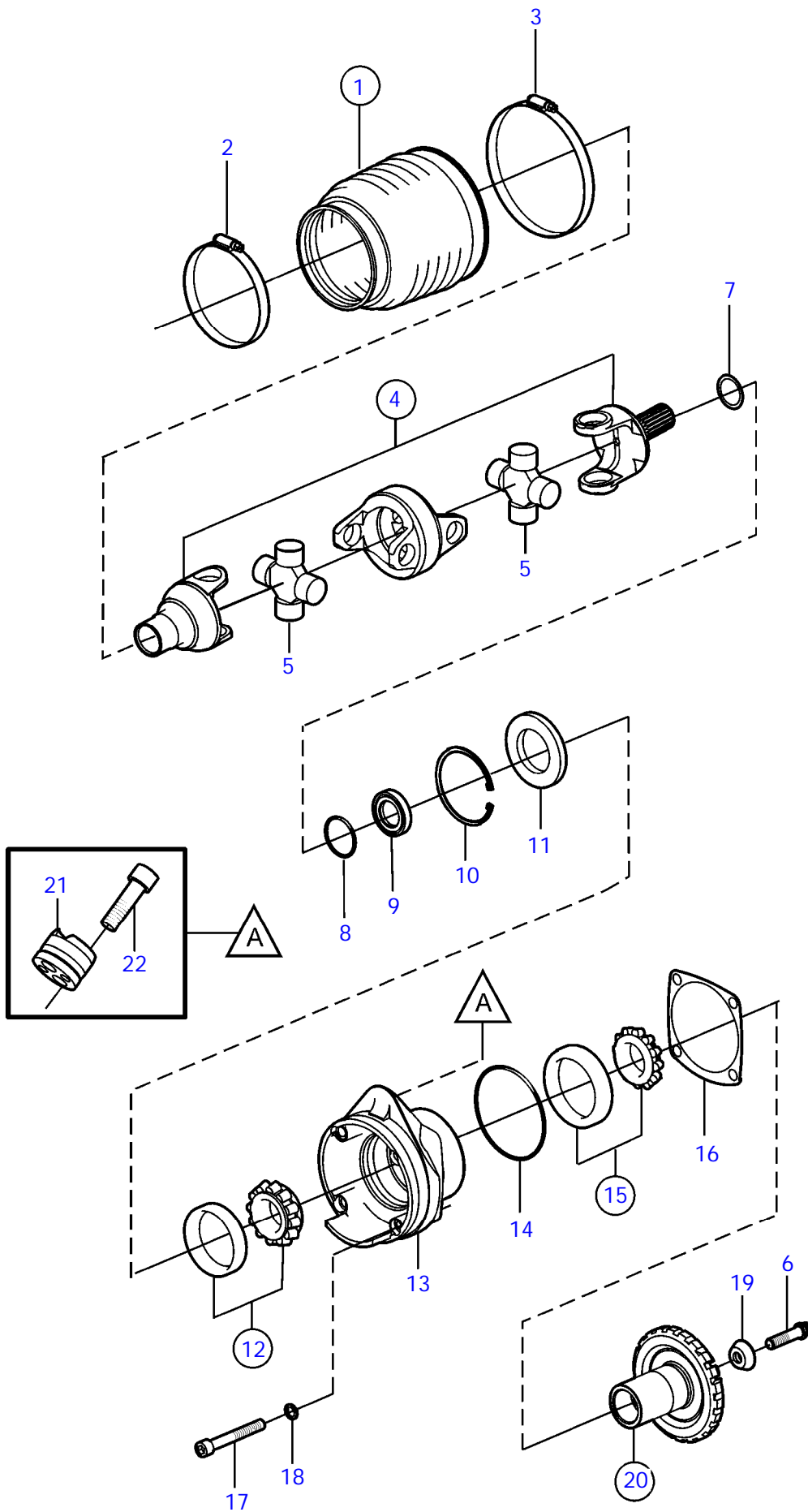


18333

DP-G

REF	PART NO.	QTY	DESCRIPTION	NOTES
1	3861641	1	Gear housing	
2	3860183	1	Gasket	
3	3861643	1	Cover	
4	982298	4	Screw	
5	3854847	1	Oil dipstick	
6	3852045	1	O-ring	
7	3854539	1	Plug	
8	3855081	1	O-ring	
9	872986	1	Sleeve	
10	125017	1	O-ring	
11	925256	1	O-ring	
12	982298	8	Screw	
13	942551	8	Washer	
14	872531	1	Hose clamp	
15	3860384	1	Bellows, exhaust	
16	853012	1	Hose clamp	
17	3860149	1	Cover	
18	982330	2	Screw	
19	3860843	1	Decal	PORT VP
	3860844	1	Decal	STARBOARD VP
20	3861645	1	Decal	P DP
	3861646	1	Decal	S.B DP

DP-G

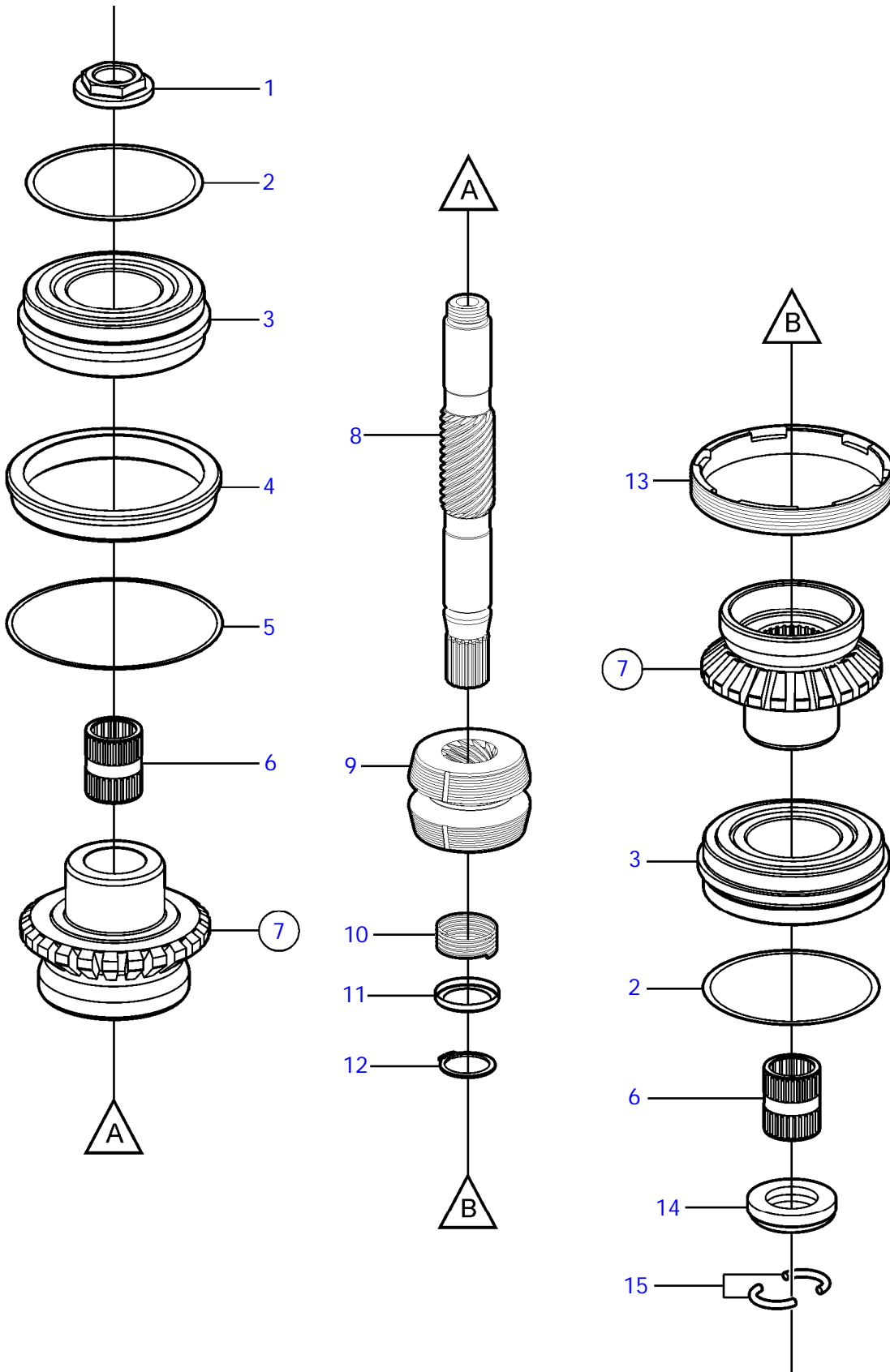


18336

DP-G

REF	PART NO.	QTY	DESCRIPTION	SEE SEC.	NOTES
1	876294	1	Bellows kit		
			• Bulletin P-44-1-11	P-44-1-11-EN	DPH/DPR U-Joint Bellows
2	853012	1	• Hose clamp		
3	853013	1	• Hose clamp		
4	3860230	1	Universal joint		
			• Bulletin P-44-1-5	P-44-1-5-EN	U-joints
5	3860232	2	• Spider		
6	3860364	1	• Screw		
7	943871	X	Shim		TH=0.05mm
	943872	X	Shim		TH=0.10mm
	943873	X	Shim		TH=0.20mm
8	956000	1	O-ring		
9	832675	1	Washer		
10	914538	1	Lock ring		
11	839253	1	Sealing ring		
12	183247	1	Bearing		
13	3857144	1	Bearing housing		
14	925095	1	O-ring		
15	3850852	1	Bearing		
16	853034	X	Shim		TH=0.10mm
	853035	X	Shim		TH=0.15mm
	853036	X	Shim		TH=0.35mm
17	984068	4	Screw		
18	942598	4	Washer		
19	853026	1	Washer		
20	3861685	1	Gear set		
21	852705	1	Pivot pin		
22	941807	2	Screw		

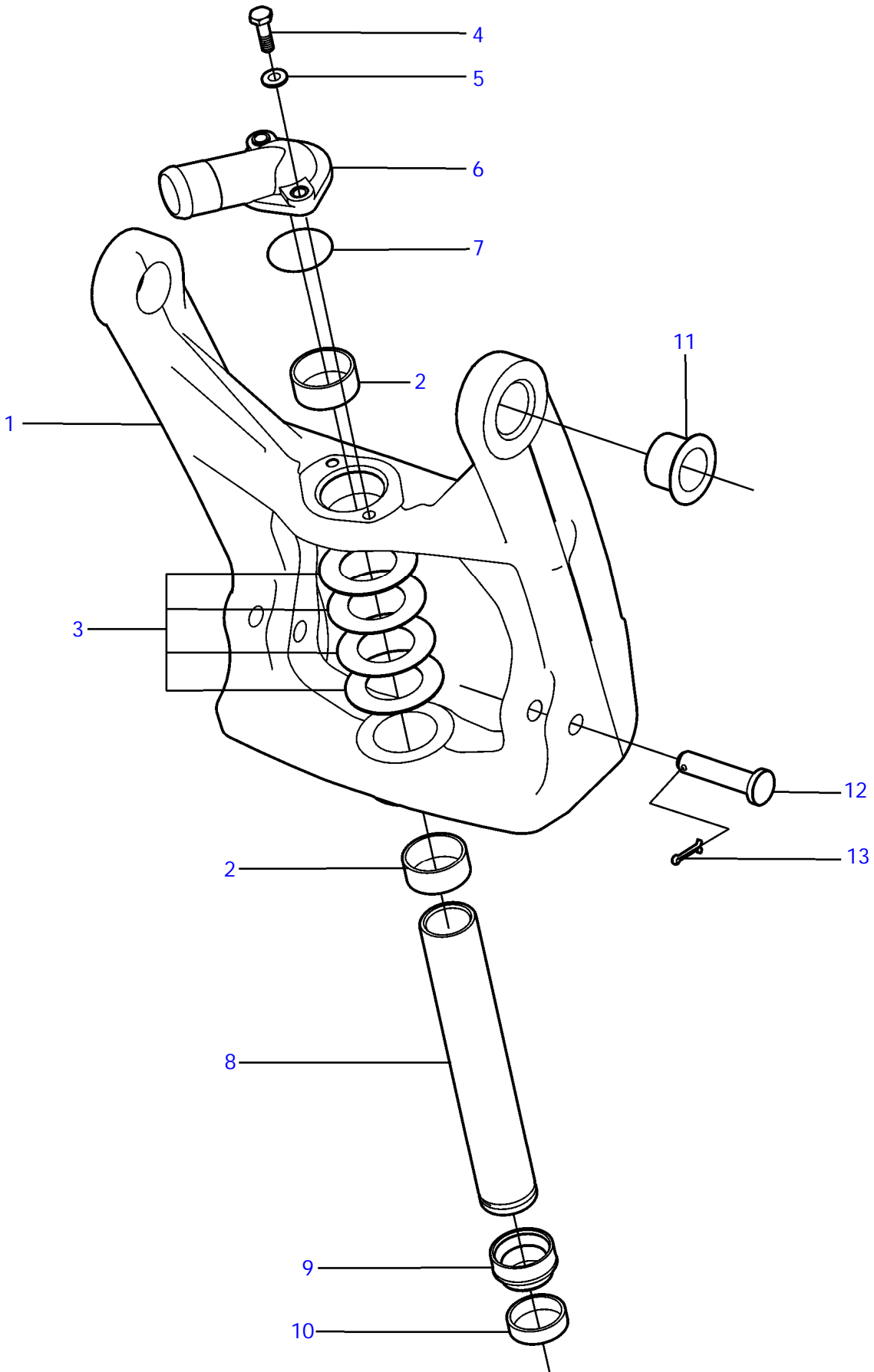
DP-G



DP-G

REF	PART NO.	QTY	DESCRIPTION	NOTES
1	3852301	X	Nut	H=0,0mm
	3852302	X	Nut	H=0,2mm
	3852303	X	Nut	H=0,4mm
	3852375	X	Nut	H=0,6mm
2	941826	X	Shim	TH=0.05mm
	941827	X	Shim	TH=0.20mm
	948230	X	Shim	TH=0.35mm
3	3857176	2	Bearing kit	
4	3852269	1	Support ring	
5	3852363	X	Shim	TH=0.002"
	3852364	X	Shim	TH=0.003"
	3852365	X	Shim	TH=0.004"
	3852366	X	Shim	TH=0.005"
	3852367	X	Shim	TH=0.010"
6	3852390	2	Needle bearing	
7	3861685	1	Gear set	
8	3852292	1	Shaft	
9	3855783	1	Sliding sleeve	
10	3852296	1	Spring	
11	3852298	1	Washer	
12	951078	1	Snap ring	
13	3852262	1	Retainer	
14	3852294	1	Ring	
15	3852295	2	Lock clip	

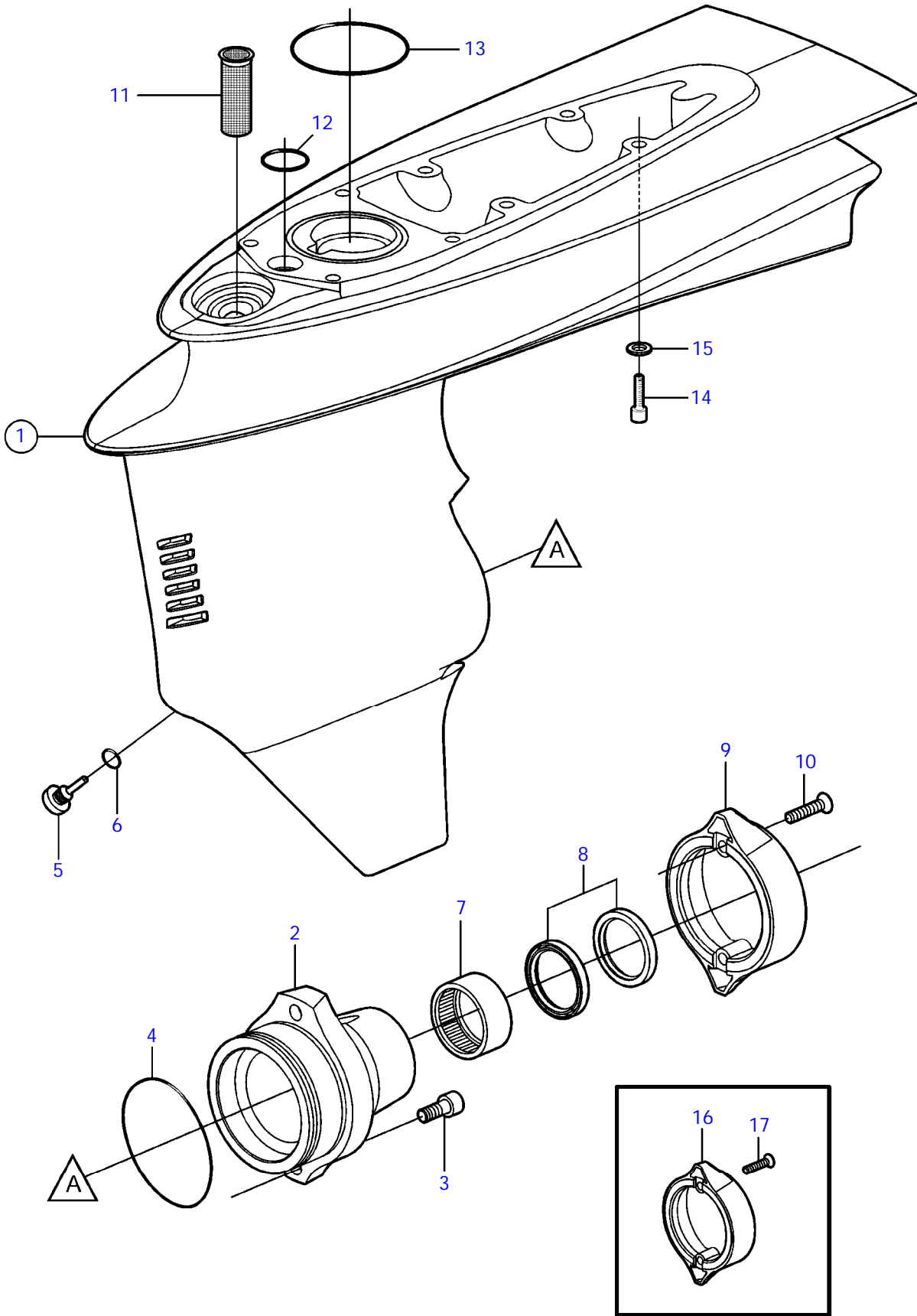
DP-G



DP-G

REF	PART NO.	QTY	DESCRIPTION	NOTES
1	3857140	1	Suspension fork	
2	872756	2	• Bearing bushing	
3	3860545	X	Shim	TH = 1.25mm
	3860546	X	Shim	TH=0.90mm
4	940169	2	Screw	
5	940191	2	Washer	
6	872752	1	Hose connection	
7	979254	1	O-ring	
8	872753	1	Steering knuckle	
9	873534	1	Retainer	
10	872755	1	Seal	
11	876507	1	Bushing kit	
12	872126	2	Clevis pin	
13	967707	2	Cotter pin	

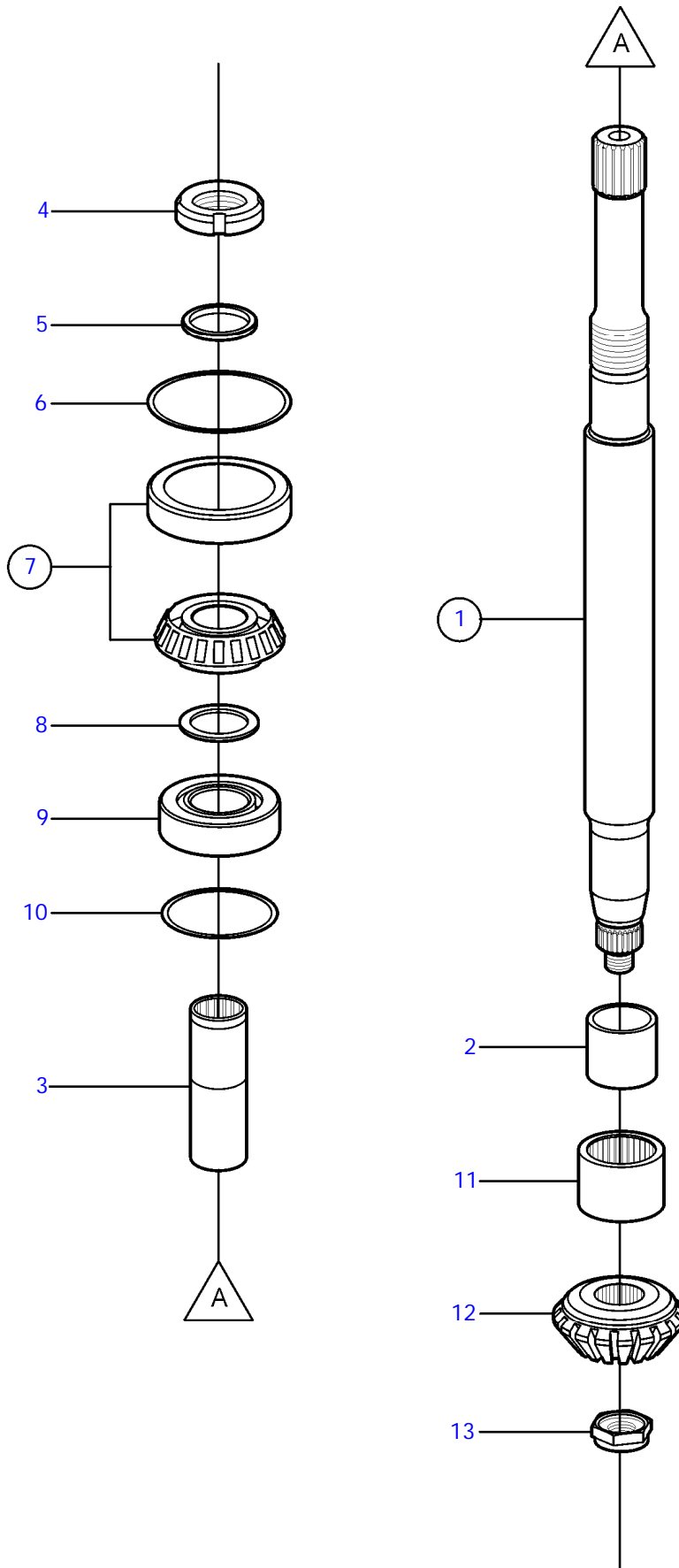
DP-G



DP-G

REF	PART NO.	QTY	DESCRIPTION	NOTES
1	3861995	1	Gear housing, complete	1.59:1
	3803582	1	Gear under, exchange, complete, exch	1.59:1
	3861639	1	Gear under, complete	1.68:1
	3803581	1	Gear under, exchange, complete, exch	1.68:1
	3861535	1	• Gear housing	
2	3857097	1	• • Bearing housing	
3	941812	2	• Screw	
4	925258	2	• O-ring	
5	852904	1	• Magnetic plug	
6	955974	1	• O-ring	
7	183859	1	• Needle bearing	
8	851407	2	• Sealing ring	
9	875821	1	• Zinc ring kit	
10	966808	2	• • Screw	
11	814482	1	• Oil pump screen	
12	125017	1	O-ring	
13	925256	1	O-ring	
14	982298	8	Screw	
15	942551	8	Washer	
16	876138	X	Magnesium kit	To be used in fresh-water.
17	966808	2	• Screw	

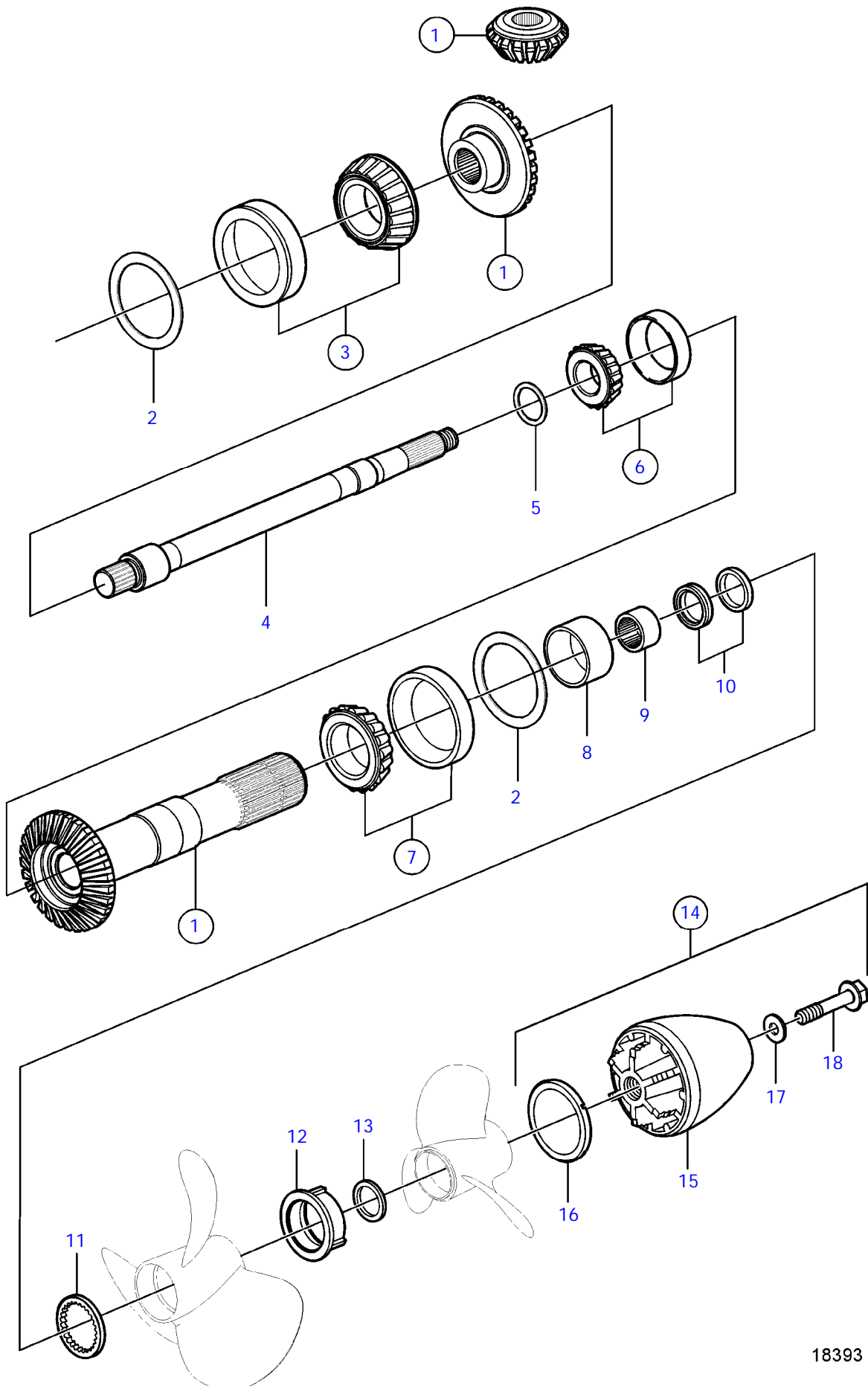
DP-G



DP-G

REF	PART NO.	QTY	DESCRIPTION	SEE SEC.	NOTES
1	854611	1	Intermedi.shaft kit		
2	184682	1	• Inner ring		
3	3852268	1	• Splined sleeve		
4	969071	1	• Round nut		
5	897387	1	Spacer ring		
6	944522	X	Shim		TH=0.05mm
	42981	X	Shim		TH=0.10mm
	968057	X	Shim		TH=0.20mm
	42980	X	Shim		TH=0.35mm
7	11072	1	Roller bearing		
8	944970	X	Shim		
9	183374	1	Ball bearing		
10	941832	X	Shim		TH=0.05mm
	941833	X	Shim		TH=0.20mm
11	184654	1	Needle bearing		
12	3861993	1	Gear set	4837	1.59:1
	3855602	1	Gear set	4837	1.68:1
13	852212	1	Nut		

DP-G

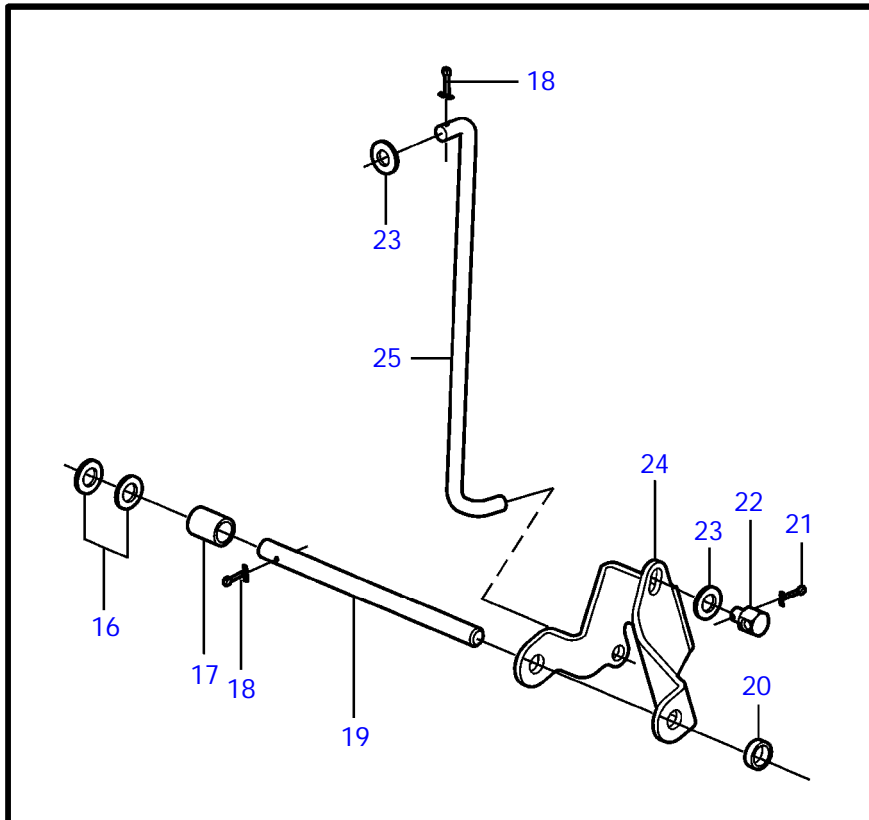
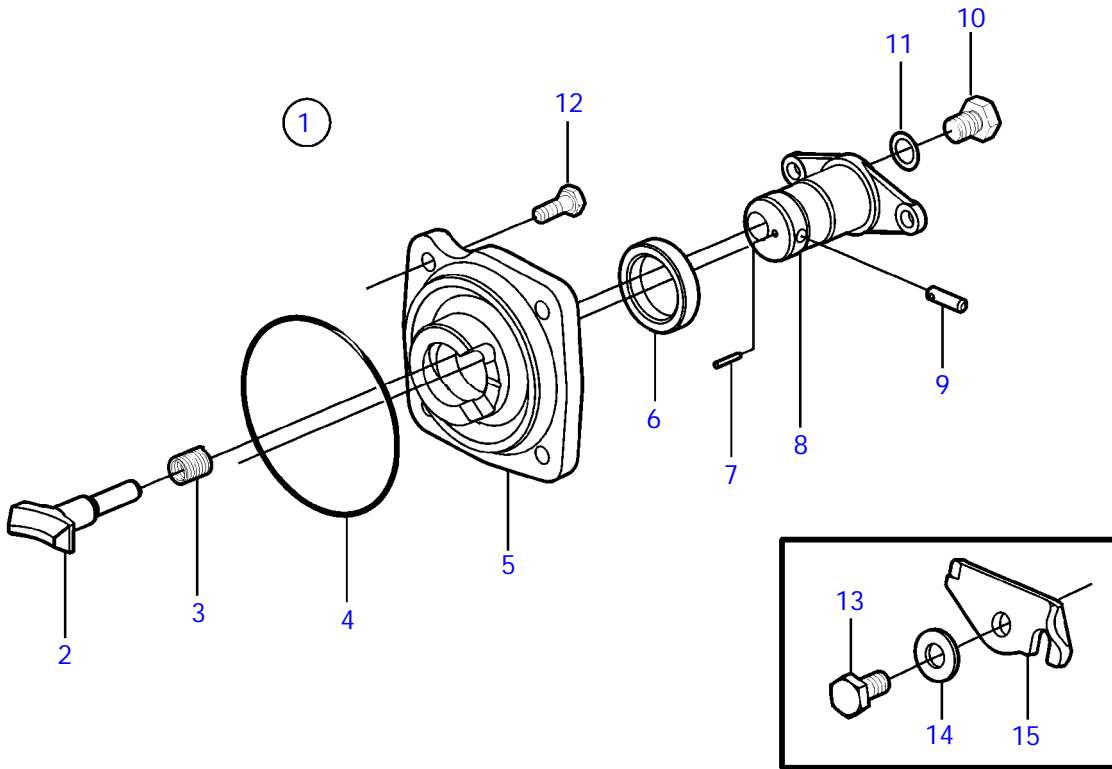


18393

DP-G

REF	PART NO.	QTY	DESCRIPTION	NOTES
1	3861993	1	Gear set	1.59:1
	3855602	1	Gear set	1.68:1
2	967352	X	Shim	TH=0.05mm
	967351	X	Shim	TH=0.10mm
	941823	X	Shim	TH=0.15mm
	941824	X	Shim	TH=0.20mm
	941825	X	Shim	TH=0.40mm
3	11044	1	Bearing	
4	872533	1	Driveshaft	
5	191834	X	Shim	TH=0.10mm
	191835	X	Shim	TH=0.15mm
	191837	X	Shim	TH=0.25mm
6	184691	1	Bearing	
7	184765	1	Roller bearing	
8	184683	1	Inner ring	
9	183272	1	Needle bearing	
10	853871	1	Sealing ring kit	
11	3858457	1	Line cutter	
12	3851334	1	Propeller nut	
13	3858458	1	Thrust washer	
14	872549	1	Propeller cone kit	
15		1	• Propeller Cone	
16	854294	1	• Plastic washer	
17	943194	1	• Washer	
18	872546	1	• Lock screw	

DP-G

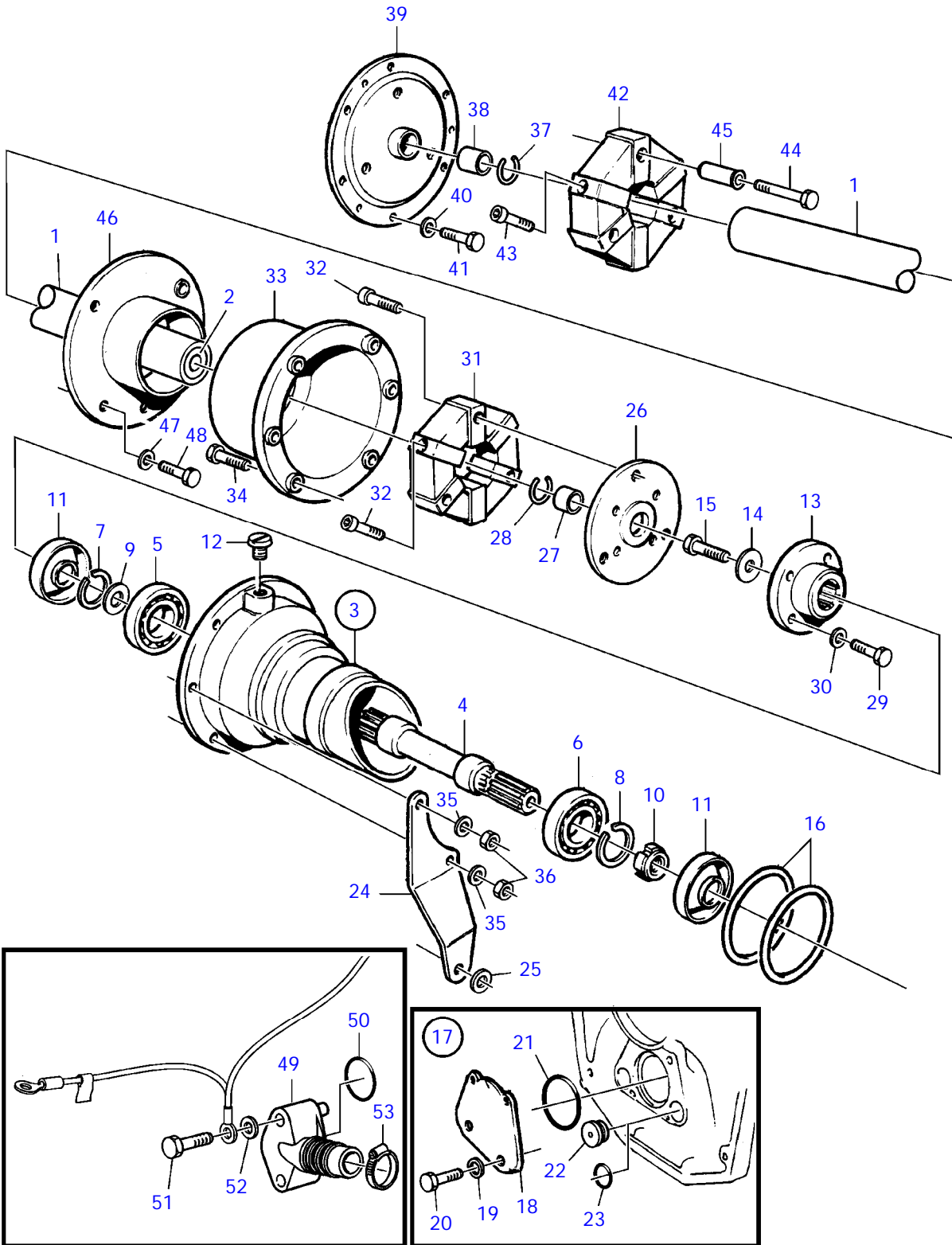


18337

DP-G

REF	PART NO.	QTY	DESCRIPTION	NOTES
1	3855787	1	Shift mechanism	
2	3856502	1	• Shoe	
3	814184	1	• Spring	
4	925093	1	• O-ring	
5	3855785	1	• Bearing housing	
6	853868	1	• Sealing ring	
7	973593	1	• Pin	
8	3856008	1	• Eccentric piston	
9	942871	1	• Pin	
10	897711	1	• Screw	
11	897871	X	• Shim	
12	963556	4	Screw	
13	963554	1	Screw	
14	940191	1	Washer	
15	872940	1	Cable attachment	
16	897511	2	Washer	Included in upper gear unit.
17		1	Sleeve	Included in upper gear unit.
18	17253	2	Cotter pin	Included in upper gear unit.
19	3860181	1	Shaft	Included in upper gear unit.
20	3860393	1	Sleeve	Included in upper gear unit.
21	17276	1	Cotter pin	
22	3852329	1	Cube	
23	940191	2	Washer	
24	872977	1	Gear yoke	Included in upper gear unit.
25	872822	1	Control rod	

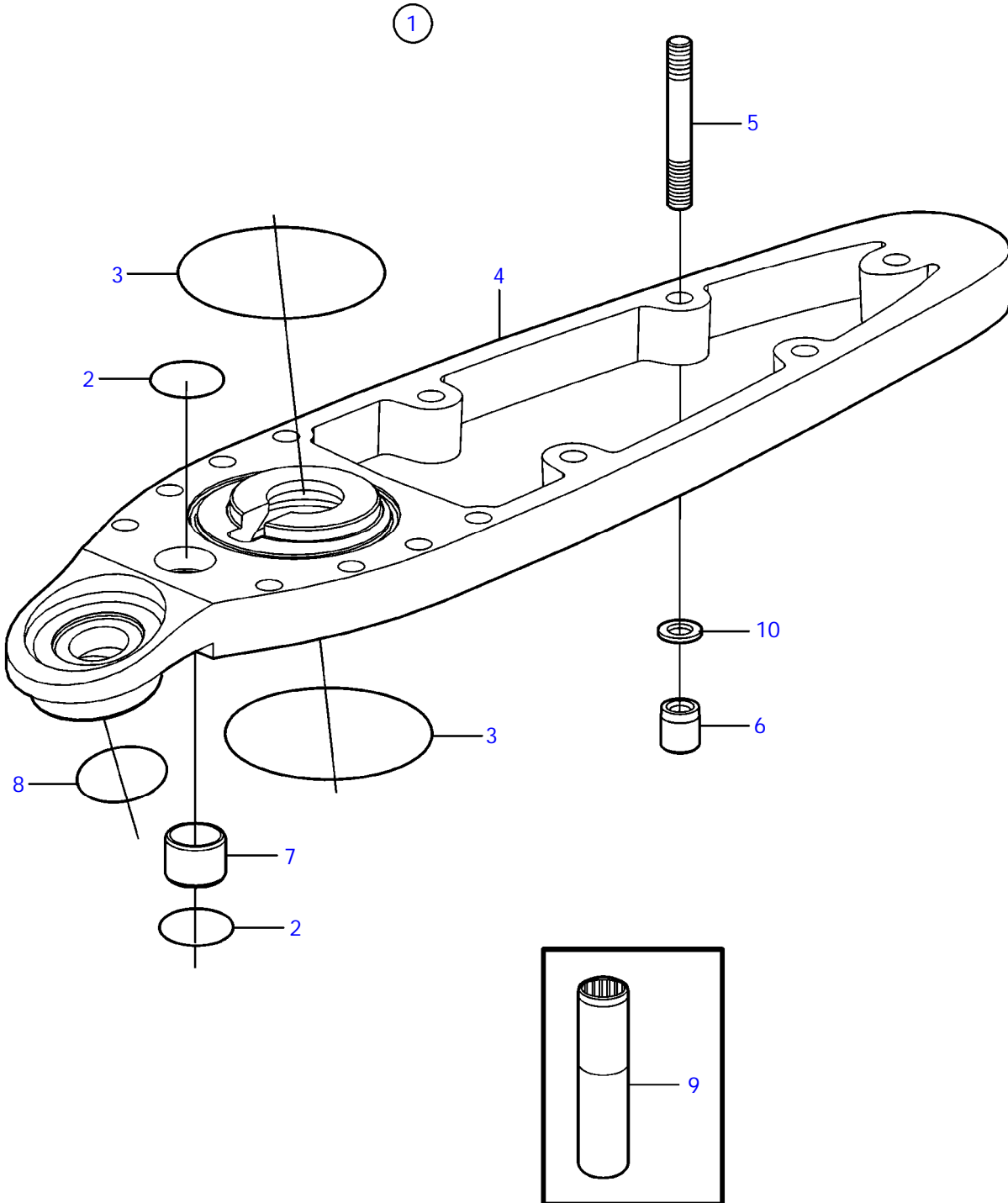
DP-G



23064

DP-G

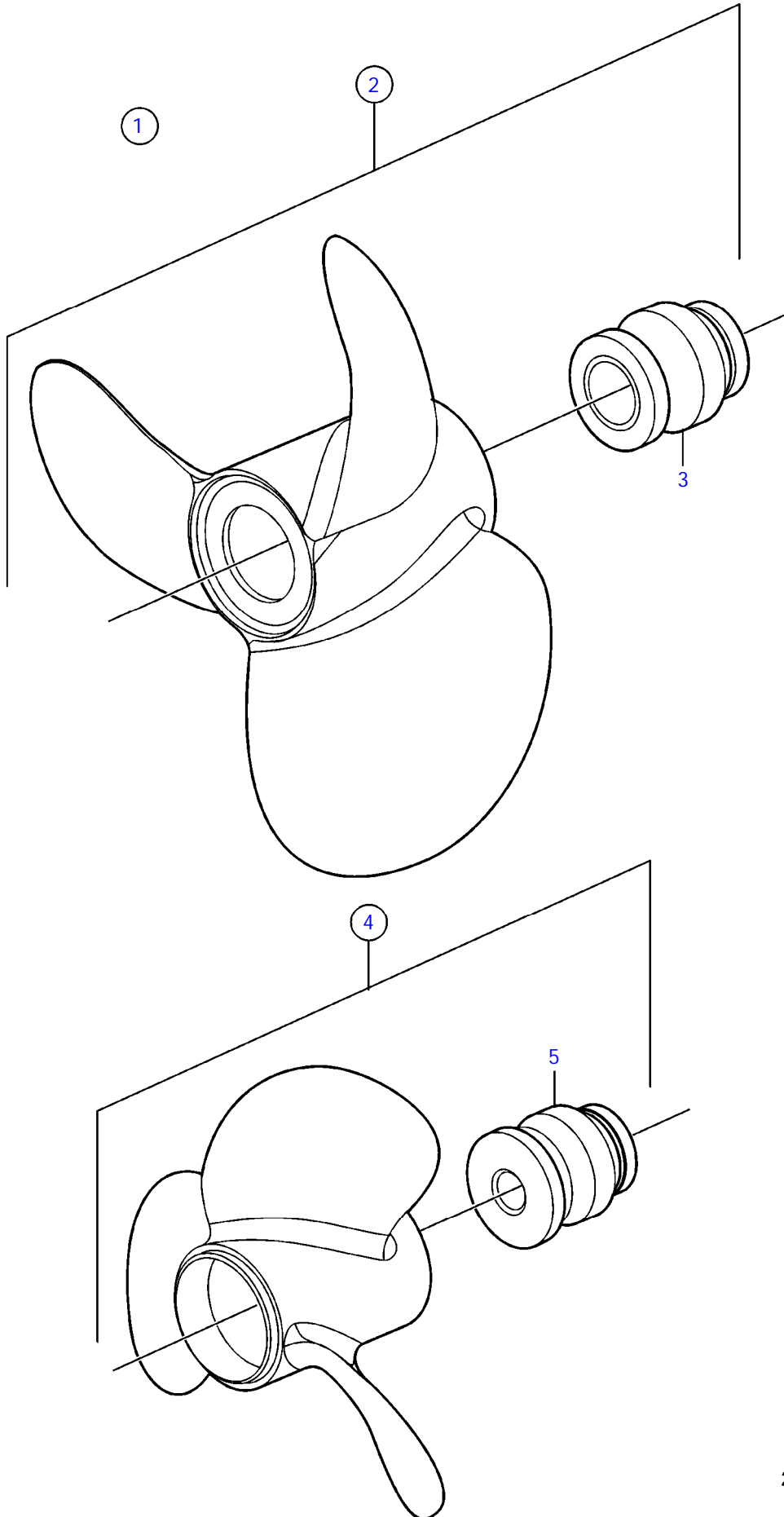
REF	PART NO.	QTY	DESCRIPTION	NOTES
1		1	Axle shaft	L=1,1m
	853850	1	Axle shaft	L=1,65m
2	853830	2	• Insert	
3	3855772	1	Intermediate housing	
4	853841	1	Shaft	
5	183647	1	Roller bearing	
6	11041	1	Roller bearing	
7	914465	1	Lock ring	
8	914533	1	Snap ring	
9	968950	1	Support washer	
10	969072	1	Round nut	
11	958860	2	Sealing ring	
12	804262	1	Plug	
13	838422	1	Clutch flange	
14	947541	1	Washer	
15	946329	1	Flange screw	
16	858464	2	Rubber ring	
17	872238	1	Seal flange kit	
18		1	• Seal flange	
19	941908	4	• Spring washer	
20	970945	4	• Screw	
21	925256	1	• O-ring	
22	814473	2	• Rubber plug	
23	925064	2	O-ring	ALT
24	838935	1	Bracket	P
	838936	1	Bracket	SB
25	955897	22	Washer	
26	853878	1	Attaching plate	
27	853829	1	Bushing	
28	914470	1	Lock ring	
29	945996	4	Screw	
30	941909	4	Spring washer	
31	853978	1	Clutch	
32	853951	6	• Screw	
33	853838	1	Protection	
34	940160	6	Screw	
35	941909	6	Spring washer	
36	940157	6	Nut	
37	914470	1	Lock ring	
38	853829	1	Bushing	
39	853876	1	Attaching plate	
40	941907	6	Spring washer	EARLY TYPE
41	955297	6	Screw	EARLY TYPE
	945444	6	Flange screw	LATE TYPE
42	853977	1	Clutch	
43	853951	3	• Screw	
44	853952	3	• Screw	
45	853834	3	Spacer sleeve	
46	853874	1	Protection	
47	941908	4	Spring washer	EARLY TYPE
48	970947	4	Screw	EARLY TYPE
	946329	4	Flange screw	LATE TYPE
49	872338	1	Hose nipple	
50	925064	1	O-ring	
51	955516	2	Screw	
52	955893	2	Washer	
53	961669	2	Hose clamp	



18395

DP-G

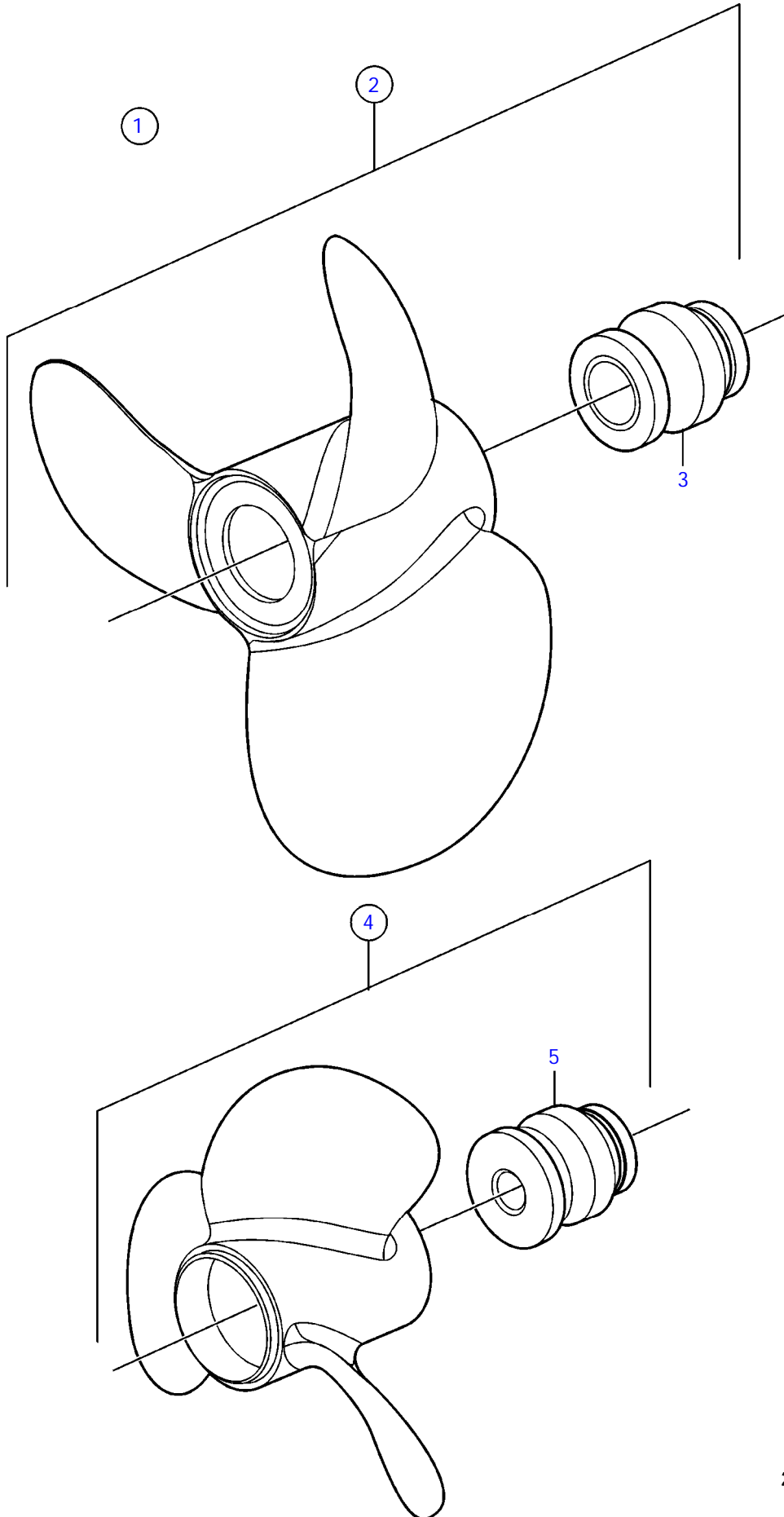
REF	PART NO.	QTY	DESCRIPTION
1	3861787	1	Extension kit
2	125017	2	• O-ring
3	925256	2	• O-ring
4		1	• Extension
5	980868	8	• Stud
6	3861796	8	• Nut
7	872986	1	• Sleeve
8	941820	1	• O-ring
9	854684	1	• Splined sleeve
10	942551	8	Washer



20590

DP-G

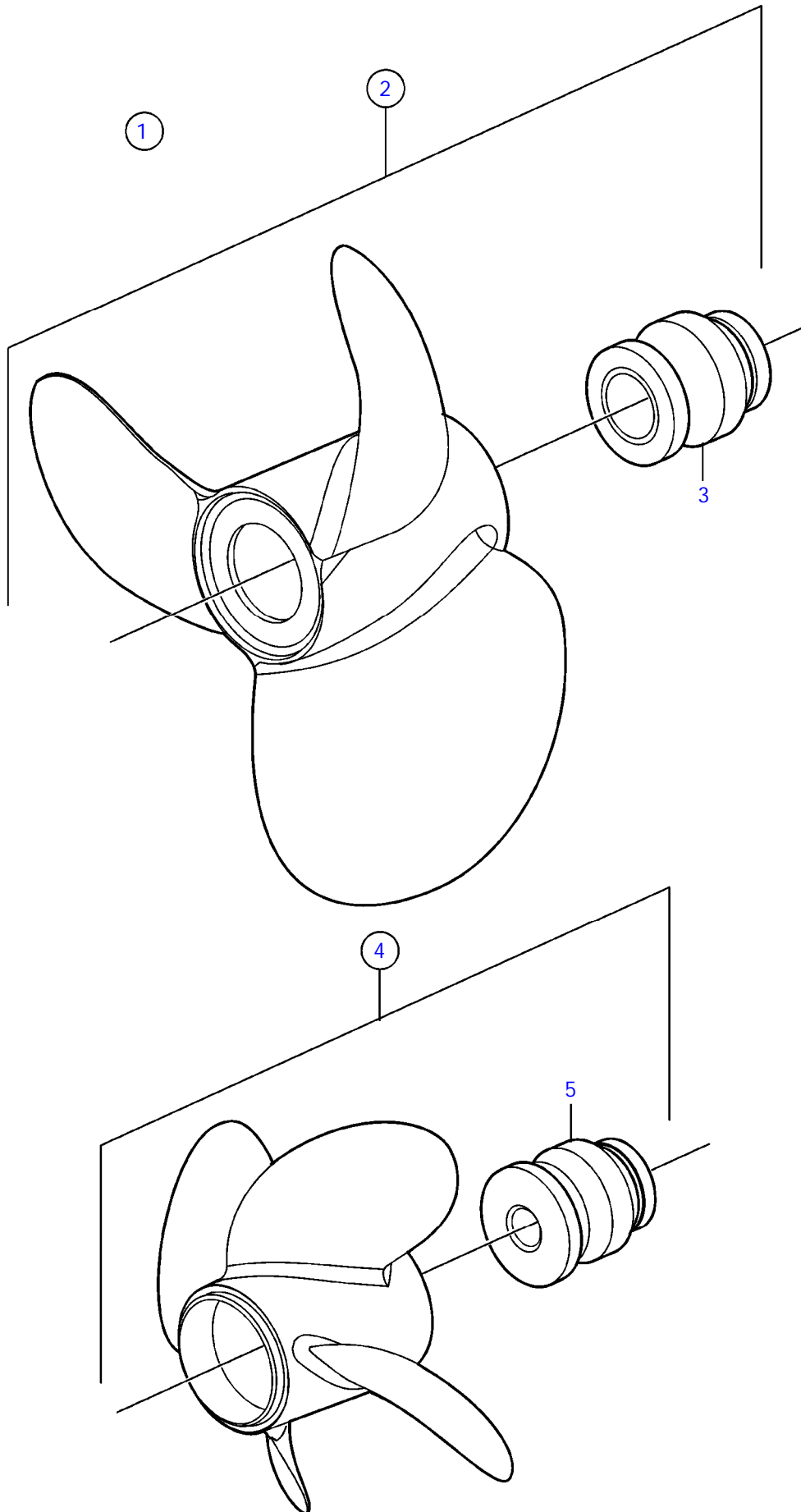
REF	PART NO.	QTY	DESCRIPTION	SEE SEC.	NOTES
1	3860877	X	Propeller, stainless steel		SET, C2
			• Bulletin P-44-7-1	P-44-7-1-EN	Duoprop Propellers
1	3860878	X	Propeller, stainless steel		SET, C3
	3857495	X	Propeller, stainless steel		SET, C4
	3857496	X	Propeller, stainless steel		SET, C5
	3857497	X	Propeller, stainless steel		SET, C6
	3857498	X	Propeller, stainless steel		SET, C7
2	3860602	1	• Propeller, stainless steel		FRONT, C2
	3860604	1	• Propeller, stainless steel		FRONT, C3
	3857461	1	• Propeller, stainless steel		FRONT, C4
	3857462	1	• Propeller, stainless steel		FRONT, C5
	3857463	1	• Propeller, stainless steel		FRONT, C6
	3857464	1	• Propeller, stainless steel		FRONT, C7
3	872552	1	• • Propeller bushing, front		
4	3860603	1	• Propeller, stainless steel		REAR, C2
	3860605	1	• Propeller, stainless steel		REAR, C3
	3857465	1	• Propeller, stainless steel		REAR, C4
	3857466	1	• Propeller, stainless steel		REAR, C5
	3857467	1	• Propeller, stainless steel		REAR, C6
	3857468	1	• Propeller, stainless steel		REAR, C7
5	872553	1	• • Propeller bushing, rear		



20590

DP-G

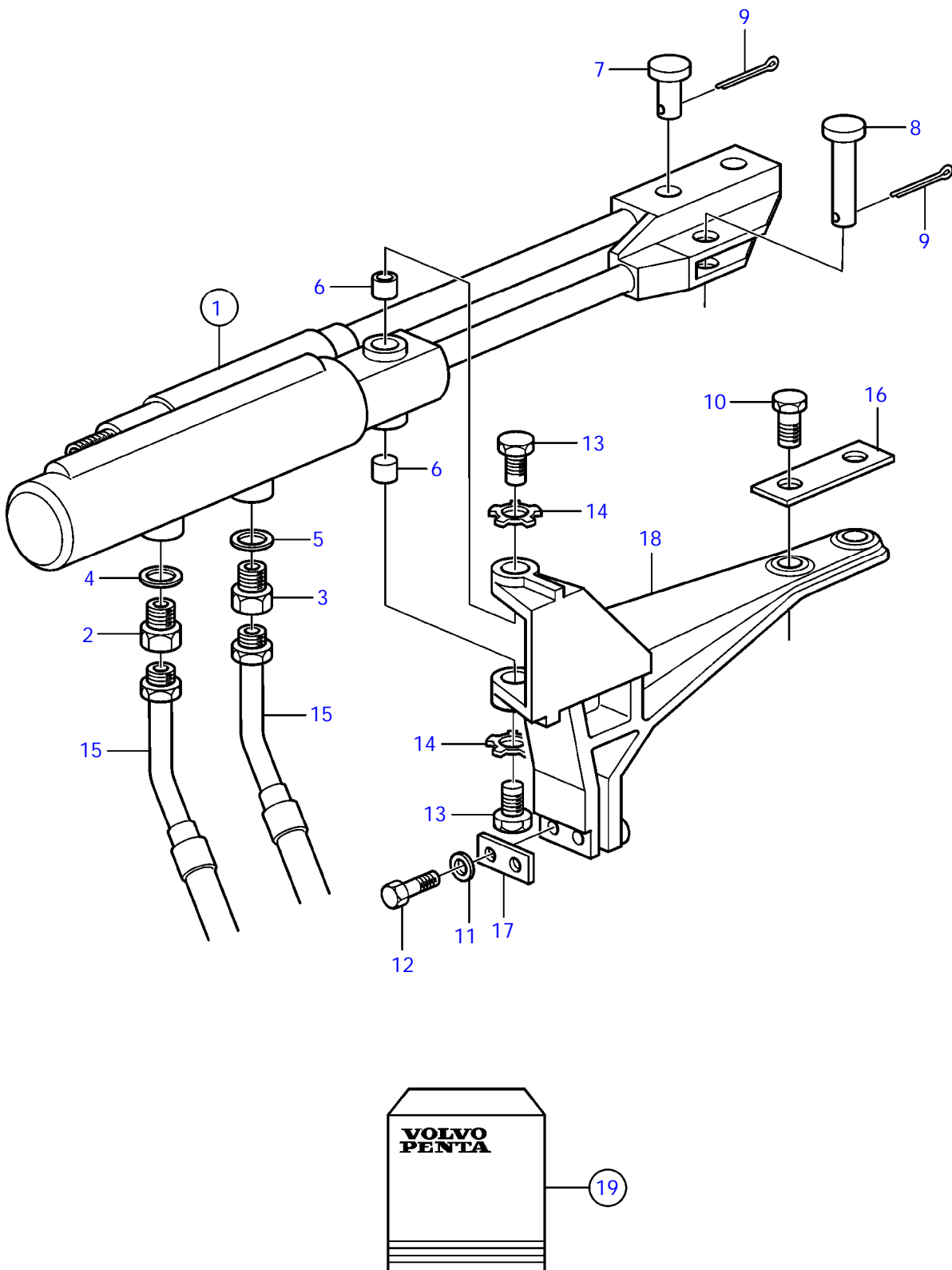
REF	PART NO.	QTY	DESCRIPTION	SEE SEC.	NOTES
1	854814	X	Propeller, aluminum		SET, B1
			• Bulletin P-44-7-1	P-44-7-1-EN	Duoprop Propellers
1	854815	X	Propeller, aluminum		SET, B2
	854816	X	Propeller, aluminum		SET, B3
	854817	X	Propeller, aluminum		SET, B4
	854818	X	Propeller, aluminum		SET, B5
	854819	X	Propeller, aluminum		SET, B6
	854820	X	Propeller, aluminum		SET, B7
	854821	X	Propeller, aluminum		SET, B8
2	854822	1	• Propeller, aluminum		FRONT, B1
	854823	1	• Propeller, aluminum		FRONT, B2
	854824	1	• Propeller, aluminum		FRONT, B3
	854825	1	• Propeller, aluminum		FRONT, B4
	854826	1	• Propeller, aluminum		FRONT, B5
	854827	1	• Propeller, aluminum		FRONT, B6
	854828	1	• Propeller, aluminum		FRONT, B7
	854828	1	• Propeller, aluminum		FRONT, B8
3	3851533	1	• • Propeller bushing, front		
4	854830	1	• Propeller, aluminum		REAR, B1
	854831	1	• Propeller, aluminum		REAR, B2
	854832	1	• Propeller, aluminum		REAR, B3
	854833	1	• Propeller, aluminum		REAR, B4
	854834	1	• Propeller, aluminum		REAR, B5
	854835	1	• Propeller, aluminum		REAR, B6
	854836	1	• Propeller, aluminum		REAR, B7
	854837	1	• Propeller, aluminum		REAR, B8
5	3851534	1	• • Propeller bushing, rear		



DP-G

REF	PART NO.	QTY	DESCRIPTION	SEE SEC.	NOTES
1	872270	X	Propeller, aluminum		SET, A0
			• Bulletin P-44-7-1	P-44-7-1-EN	Duoprop Propellers
1	854764	X	Propeller, aluminum		SET, A1
	854765	X	Propeller, aluminum		SET, A2
	854766	X	Propeller, aluminum		SET, A3
	854767	X	Propeller, aluminum		SET, A4
	854768	X	Propeller, aluminum		SET, A5
	854769	X	Propeller, aluminum		SET, A6
	854770	X	Propeller, aluminum		SET, A7
	854771	X	Propeller, aluminum		SET, A8
	854772	X	Propeller, aluminum		SET, A9
	854773	X	Propeller, aluminum		SET, A10
2	872259	1	• Propeller, aluminum		FRONT, A0
	854774	1	• Propeller, aluminum		FRONT, A1
	854775	1	• Propeller, aluminum		FRONT, A2
	854776	1	• Propeller, aluminum		FRONT, A3
	854777	1	• Propeller, aluminum		FRONT, A4
	854778	1	• Propeller, aluminum		FRONT, A5
	854779	1	• Propeller, aluminum		FRONT, A6
	854780	1	• Propeller, aluminum		FRONT, A7
	854781	1	• Propeller, aluminum		FRONT, A8
	854782	1	• Propeller, aluminum		FRONT, A9
	854783	1	• Propeller, aluminum		FRONT, A10
3	3851533	1	• • Propeller bushing, front		
4	872264	1	• Propeller, aluminum		REAR, A0
	854784	1	• Propeller, aluminum		REAR, A1
	854785	1	• Propeller, aluminum		REAR, A2
	854786	1	• Propeller, aluminum		REAR, A3
	854787	1	• Propeller, aluminum		REAR, A4
	854788	1	• Propeller, aluminum		REAR, A5
	854789	1	• Propeller, aluminum		REAR, A6
	854790	1	• Propeller, aluminum		REAR, A7
	854791	1	• Propeller, aluminum		REAR, A8
	854792	1	• Propeller, aluminum		REAR, A9
	854793	1	• Propeller, aluminum		REAR, A10
5	3851534	1	• • Propeller bushing, rear		

DP-G

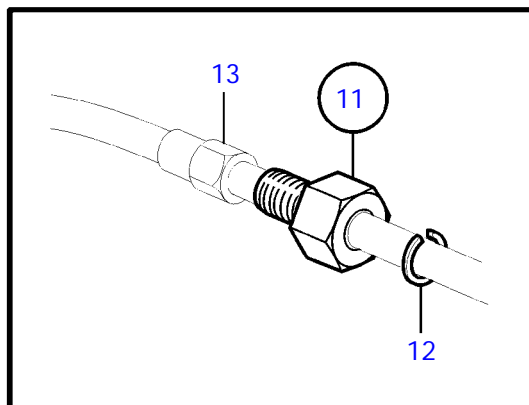
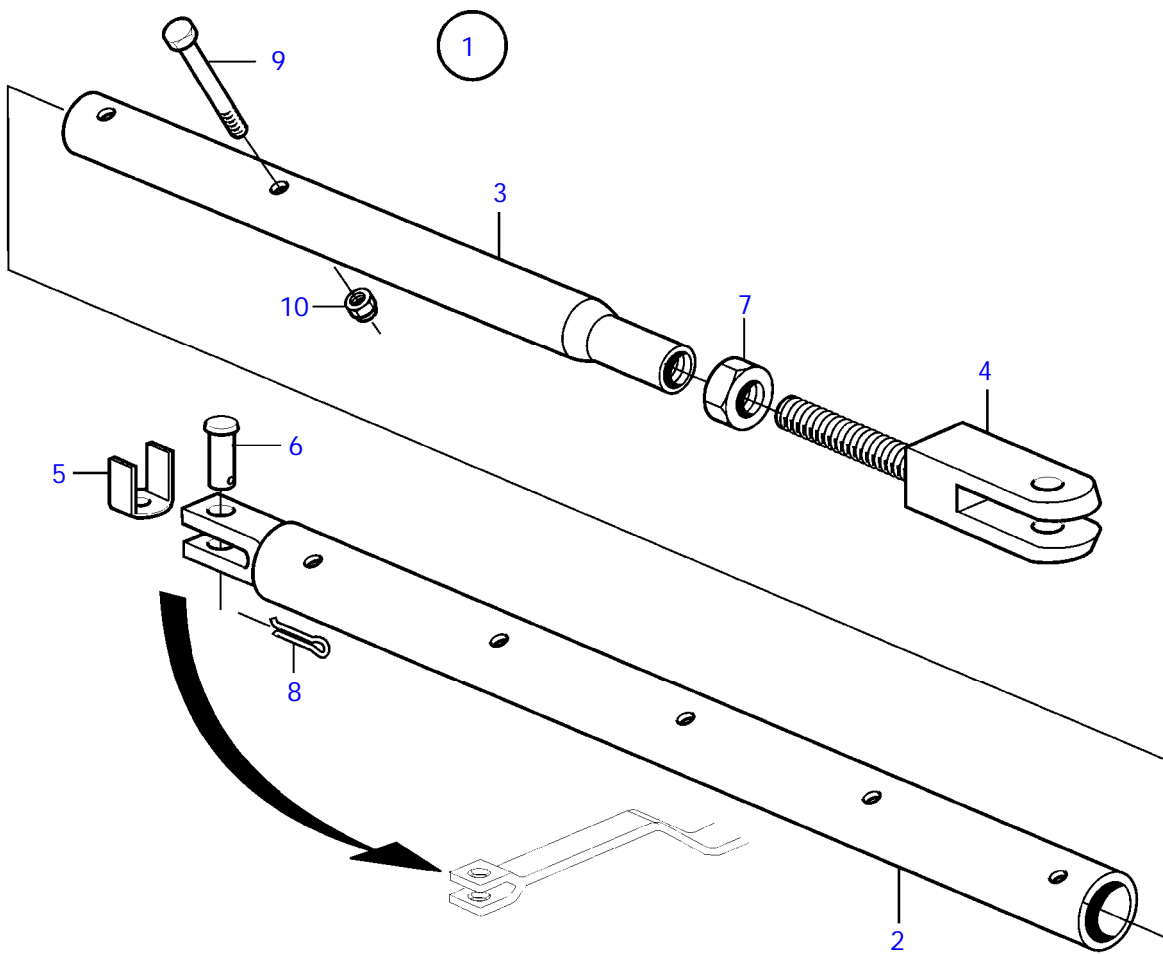


20587

DP-G

REF	PART NO.	QTY	DESCRIPTION	NOTES
1	872215	1	Steering cylinder	
2	872698	1	• Nipple	
3	872699	1	• Nipple	
4	955985	1	• O-ring	
5	955982	1	• O-ring	
6		2	• Bushing	
7	872490	1	• Clevis pin	
8	872491	1	• Clevis pin	
9	949791	2	• Cotter pin	
10	977625	2	Screw	
11	941908	2	Spring washer	
12	965185	2	Flange screw	
13	872103	2	Pivot pin	
14	872104	2	Lock washer	
15		2	Hose, steering	See catalog for engine.
16	872311	1	Tab washer	
17	872369	1	Tab washer	
18	872443	1	Bracket	
19		1	Sealing ring kit, steering cylinder	FOR 872215

DP-G



20588

DP-G

REF	PART NO.	QTY	DESCRIPTION	NOTES
1	1140610	1	Link rod kit	L=610-970mm
2	828892	1	• Tube	
3	828893	1	• Tube	
4	828894	1	• Adjusting bar	
5	853160	2	• Lock washer	
6	913158	2	• Clevis pin	
7	955806	1	• Nut	
8	967707	2	• Cotter pin	
9	970951	2	• Screw	
10	971089	2	• Lock nut	
11	1140020	1	Impulse limiter	For twin installation.
12	1140021	1	• Lock ring	
13		X	Cable, steering	

--

DESCRIPTION	SEE SEC.
Control Unit for Digital/Analog Trim Instrument	665
Rudder Indicator Kit for Drive Units	667
High Speed Pitot Tube Log Kit	663
Electrical Materials	1964
Electrical Materials	1963
Electrical Materials	1965

--

DESCRIPTION	SEE SEC.	NOTES
Drive	7632	DP-G
Shield with Mounting Components	5110	DP-G
Hydraulic Pump and Trim Instrument	5119	DP-G
Trim Cylinders	5114	DP-G
Exhaust and Cooling Water Pipe	7627	DP-G
Gear Housing, Upper	4794	DP-G
Universal Joint and Bearing Housing	4797	DP-G
Upper Vertical Shaft	4796	DP-G
Hook Up Fork	4795	DP-G
Gear Housing, Lower	4835	DP-G
Lower Vertical Shaft	4836	DP-G
Propellershaft	4837	DP-G
Shift Mechanism	4798	DP-G
Jack Shaft Kit	1758	DP-G
Extension Kit 1"	4839	DP-G
Propeller	7315	DP-G
Propeller	7316	DP-G
Propeller	7616	DP-G

--

DESCRIPTION	SEE SEC.	NOTES
Power Steering	7309	DP-G
Link Rod Kit For Twin Installation	7310	DP-G



