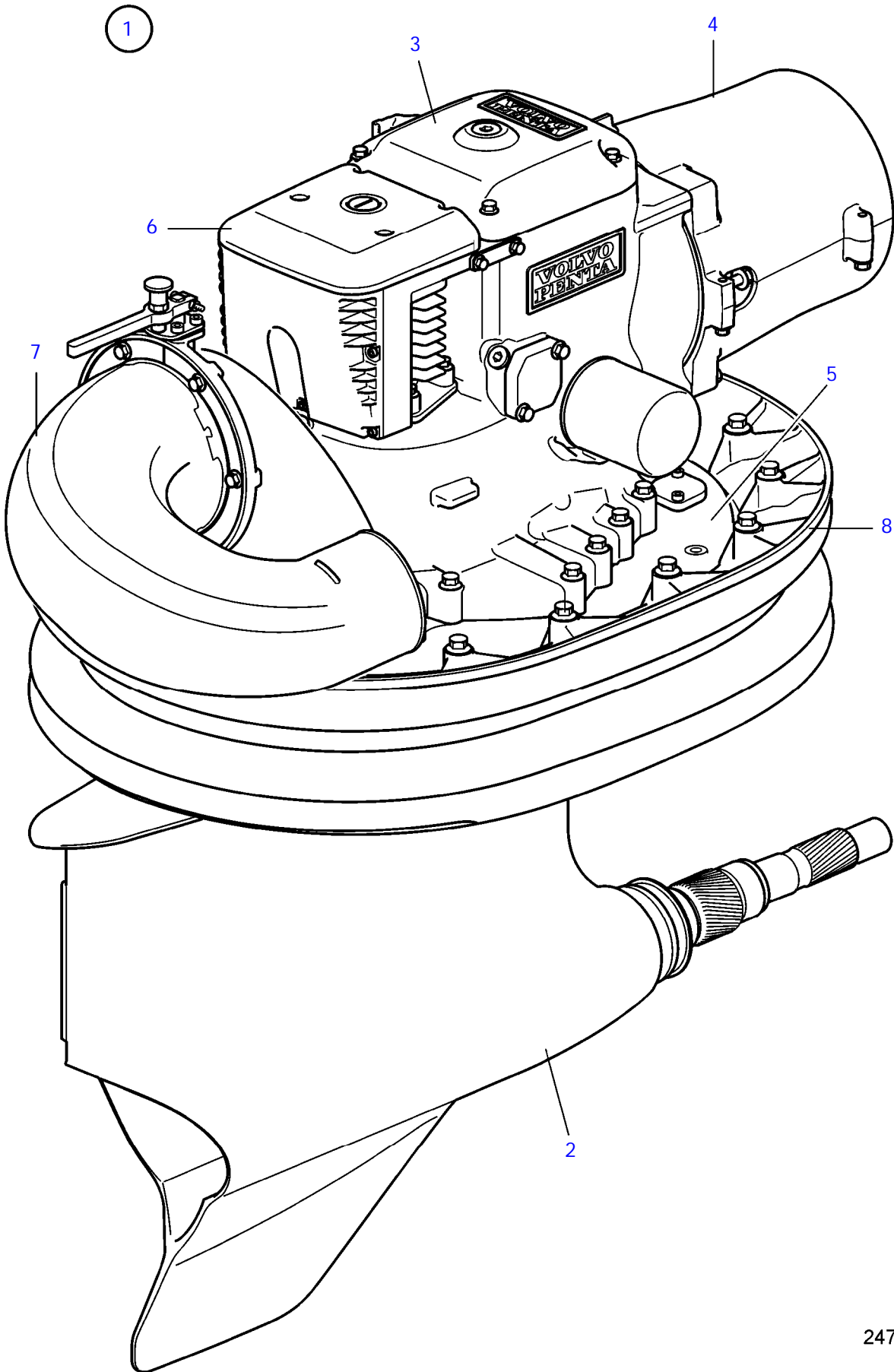


IPS2-A

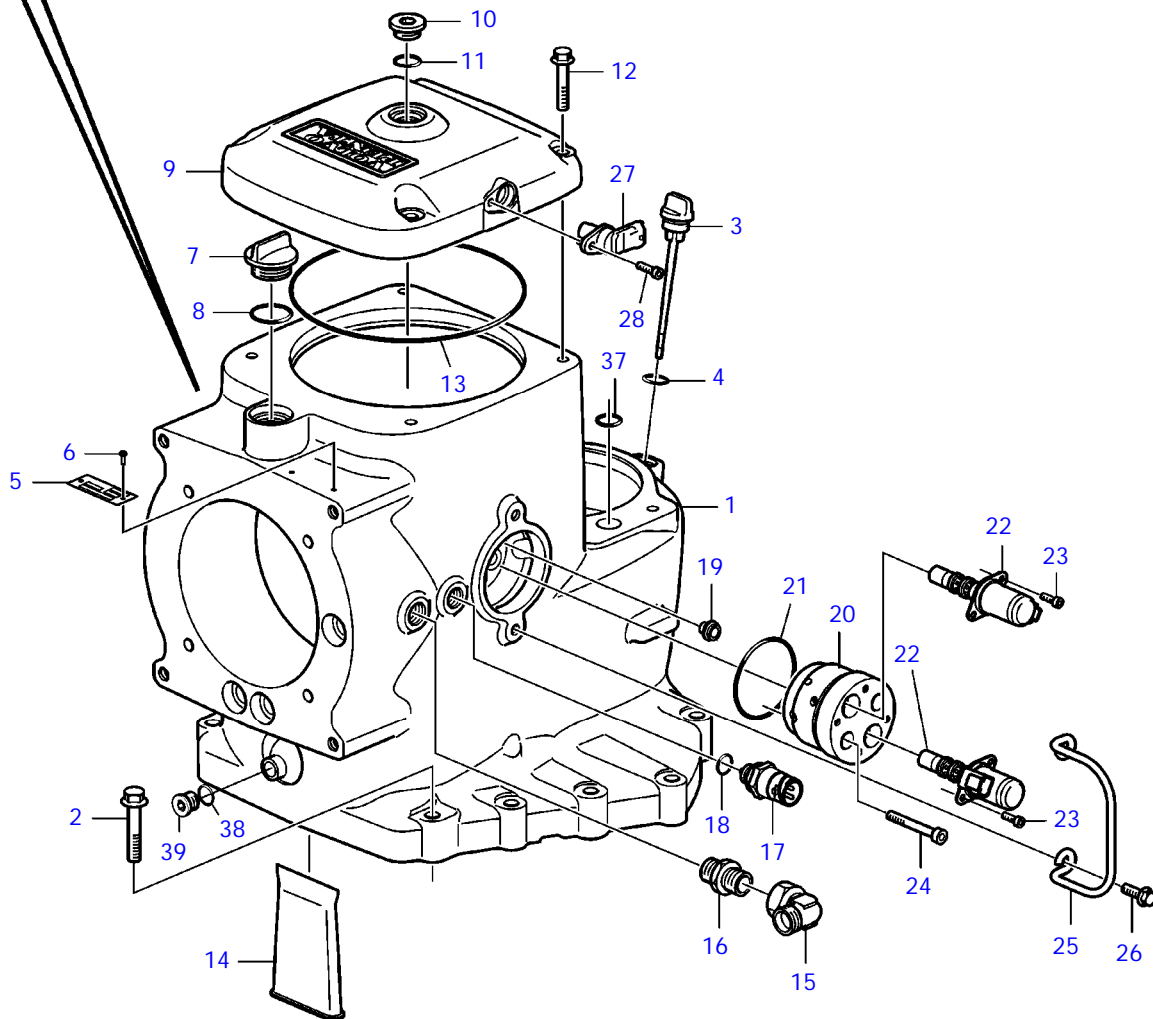
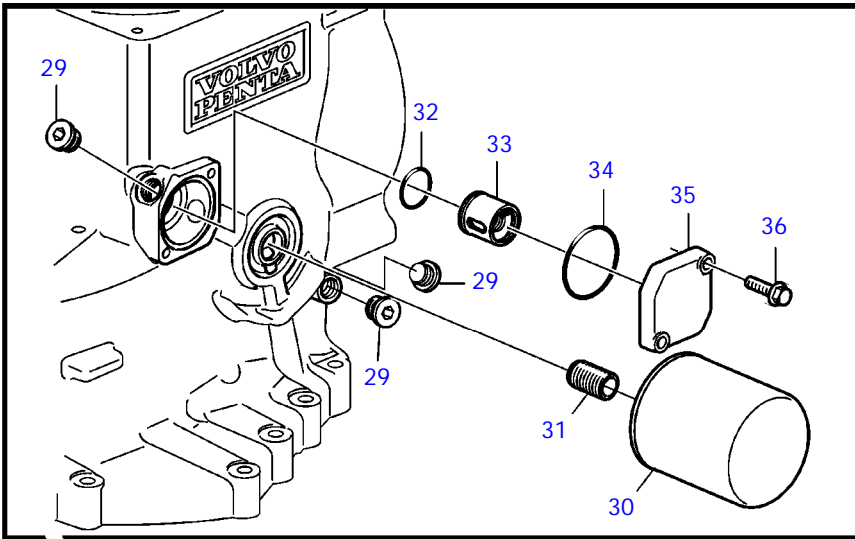


24771

IPS2-A

REF	PART NO.	QTY	DESCRIPTION	SEE SEC.	NOTES
1		1	Drive, complete		RATIO 1.59:1
2	3801240	1	• Lower gear, exch	35621	
3	3801239	1	• Upper gear, exch	35622	
4	(3883832)	1	• Bearing housing, oil pump	35624	Obsolete part
5	(3840655)	1	• Intermediate housing	35627	Obsolete part
6	3801241	1	• Servo unit, exch	35625	
7		1	Kit	35634	
8		1	Clamping ring	35628	

IPS2-A, IPS2-B

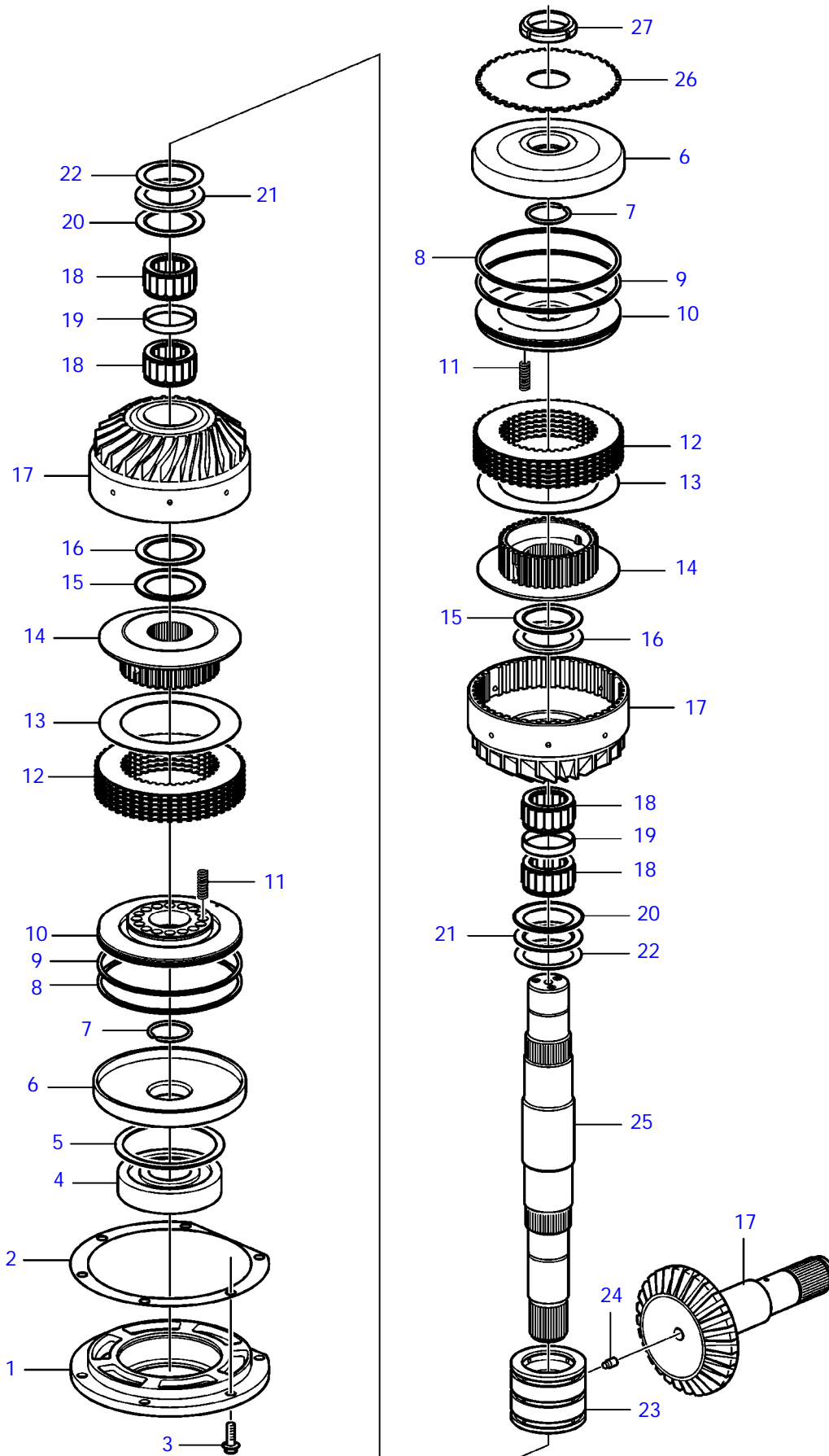


25348

IPS2-A, IPS2-B

REF	PART NO.	QTY	DESCRIPTION	NOTES
1		1	Gear housing	
2	991609	10	Flange screw	
3	21107896	1	Dipstick	
4	949656	1	O-ring	
5	3817315	1	Type plate	
6	804269	2	Drive screw	
7	840559	1	Cover	
8	949659	1	O-ring	
9	(3842939)	1	Cover	Obsolete part
10	3889952	1	Plug	
11	949656	1	O-ring	
12	991607	4	Flange screw	
13	993307	1	O-ring	
14	(3849894)	1	Oil strainer	Obsolete part
15	992197	1	Elbow nipple	
16	992036	1	Nipple	
17	874313	1	Sensor, oil pressure/temperature	
18	968559	1	O-ring	
19	422413	6	Sealing ring	
20	21260636	1	Valve housing	
21	925094	1	O-ring	
22	11418522	2	Valve	
23	963677	4	Hex. socket screw	
24	(963703)	2	Hex. socket screw	Obsolete part
25	3861876	1	Protecting brace	
26	991606	2	Flange screw	
27	21123875	1	Sensor	
28	963684	1	Hex. socket screw	
29	992119	3	Plug	
30	471034	1	Oil filter	
31	423067	1	Nipple	
32	949659	1	O-ring	
33	3847325	1	Valve housing, complete	
34	967343	1	O-ring	
35	(3885069)	1	Cardboard tube	Obsolete part
36	992246	2	Flange screw	M10x30
37	949657	1	O-ring	
38	976039	1	O-ring	Obsolete part
39	992119	1	Plug	

IPS2-A

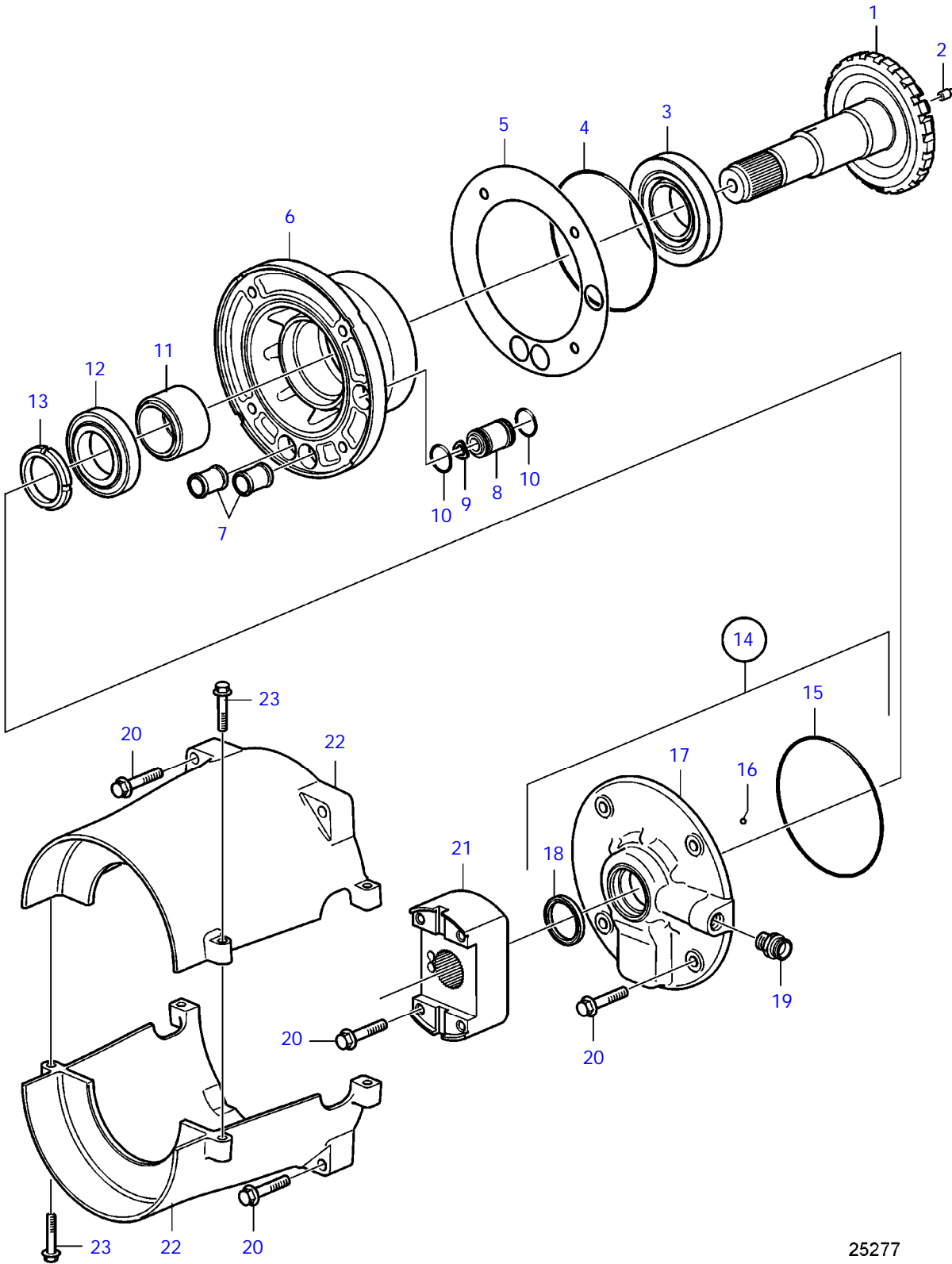


25001

IPS2-A

REF	PART NO.	QTY	DESCRIPTION	SEE SEC.
1	(3818911)	1	Bearing housing	
2	(3884689)	1	Shim	
3	946472	6	Flange screw	
4		1	Roller bearing	
5	(3883878)	1	Lock ring	
6	(3817684)	2	Cylinder	
7	3883485	2	Lock ring	
8	994421	2	O-ring	
9	40005557	2	Piston ring	
10	(3817682)	2	Piston	
11	21397310	16	Spring	
12	3817660	2	Disc kit	
13	21298370	2	Disc spring	
14	(3817680)	2	Hub	
15	(3817664)	2	Thrust washer	
16	(184055)	2	Needle roller assemb	
17	(3817701)	1	Gear set, oil pump	35624
18	(990933)	4	Needle bearing	
19	(3883842)	2	Spacer	
20	(184055)	2	Needle roller assemb	
21	(3817664)	2	Thrust washer	
22	(3817666)	2	Washer	
23	(3817662)	1	Bearing shell kit	
24	(968455)	1	Set screw	
25		1	Shaft	
26	(3818303)	1	Sprocket wheel	
27	969077	1	Round nut	

IPS2-A

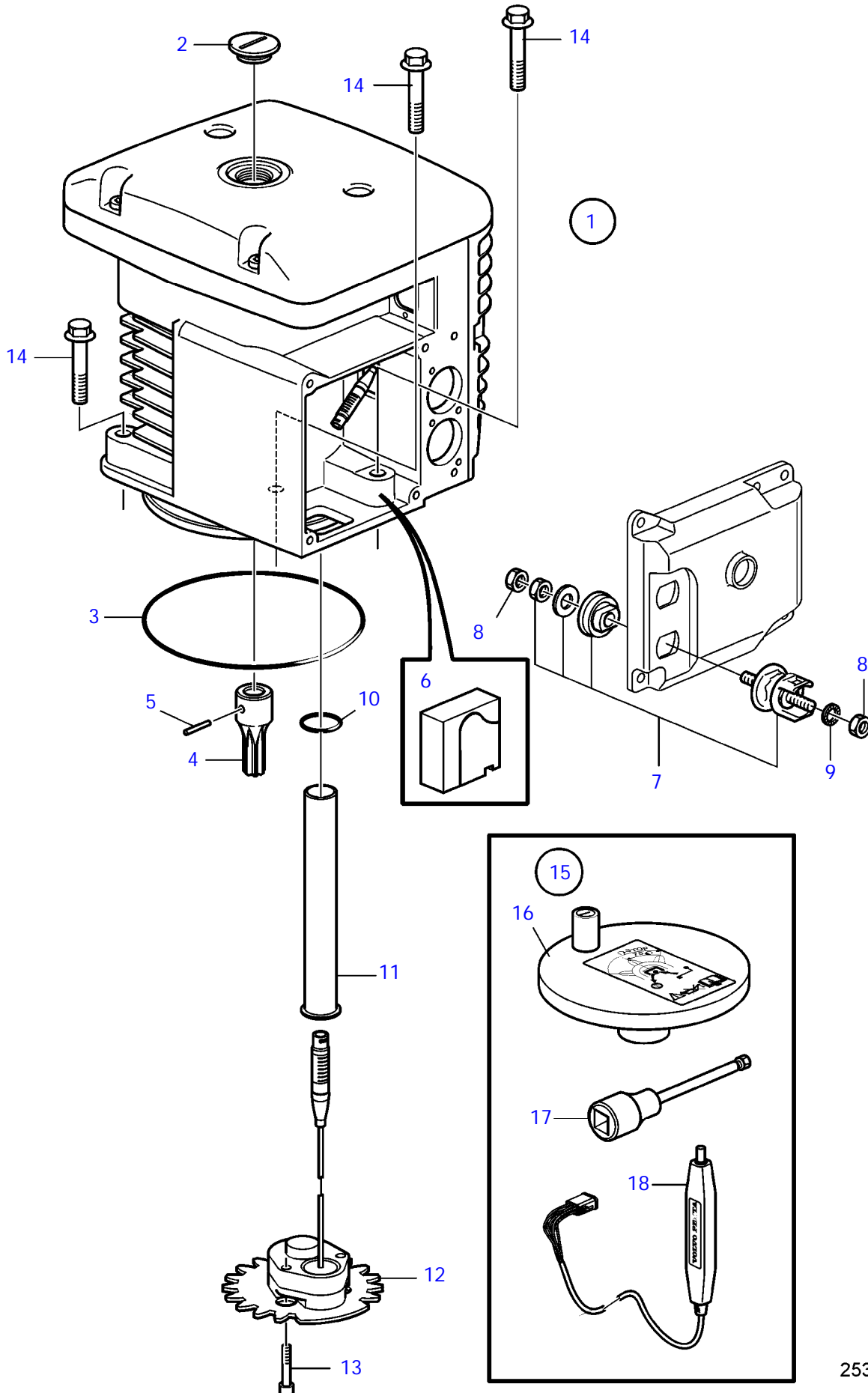


25277

IPS2-A

REF	PART NO.	QTY	DESCRIPTION	NOTES
1	(3817701)	1	Gear set	Obsolete part
2	(968455)	1	Set screw	Obsolete part
3	(181099)	1	Roller bearing	Obsolete part
4	992929	1	O-ring	
5	(3884688)	X	Shim	TH=0,25mm, Obsolete part
	3884687	X	Shim	TH=0,13mm
	3884686	X	Shim	TH=0,08mm
6	(3883832)	1	Bearing housing	Obsolete part
7	3883860	2	Sealing sleeve	
8	21225033	1	Valve housing	
9	21109722	2	Spring disc	
10	949658	2	O-ring	
11	(3883838)	1	Spacer	Obsolete part
12	(11079)	1	Roller bearing	Obsolete part
13	(969078)	1	Round nut	Obsolete part
14	21393755	1	Oil pump	
15	992929	1	• O-ring	
16	1521241	1	• Ball	
17	(3883834)	1	• Pump housing	Obsolete part
18	3863082	1	• Sealing ring	
19	992036	1	Nipple	
20	991609	12	Flange screw	
21	(3843496)	1	Companion flange	Obsolete part
22	3847628	2	Protecting casing	
23	991607	4	Flange screw	

IPS2-A

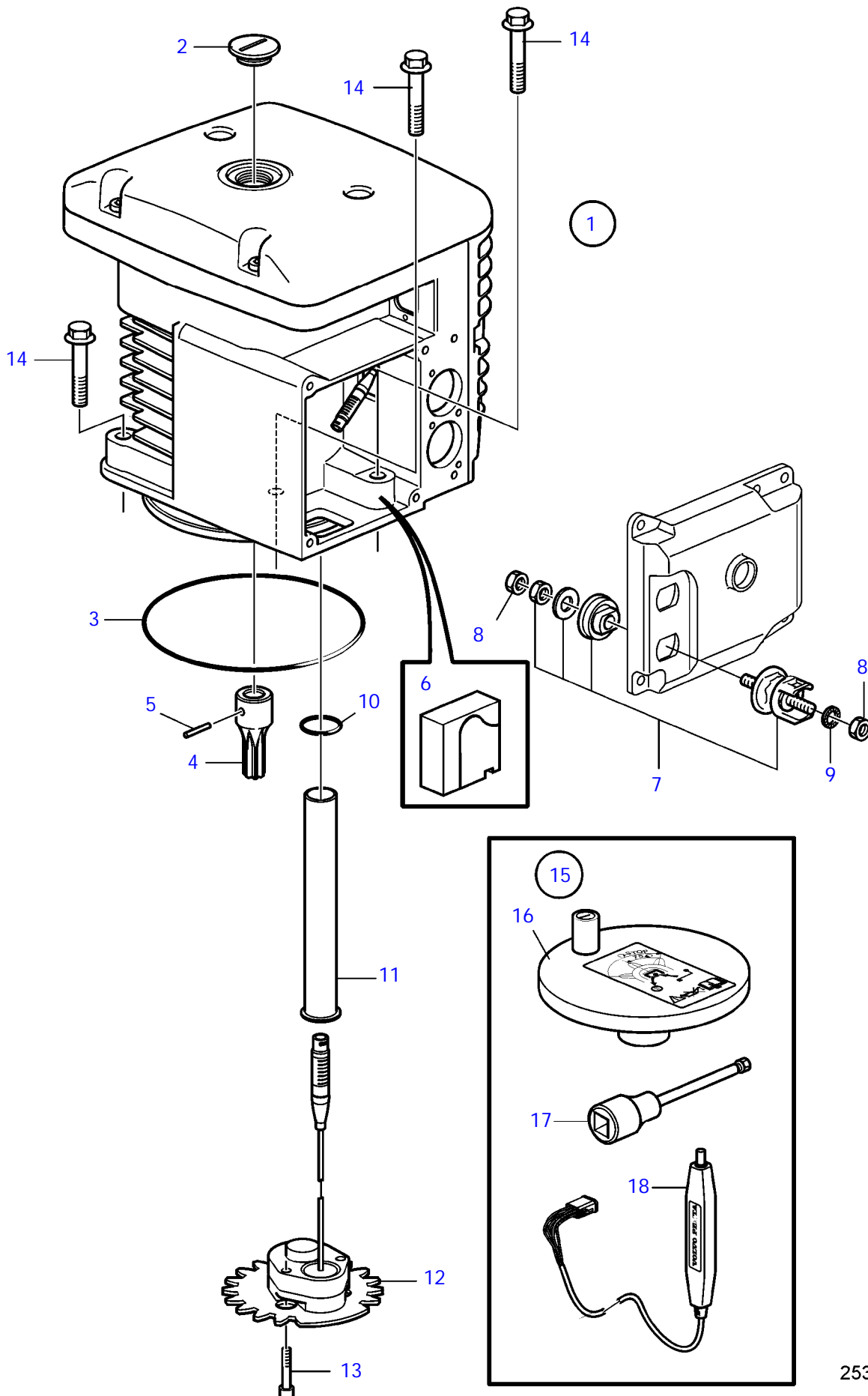


25333

IPS2-A

REF	PART NO.	QTY	DESCRIPTION	NOTES
1	3801241	1	Servo unit, exch	
2		1	• Cardboard tube	
3	948976	1	• O-ring	
4	(3593852)	1	• Sun gear	Obsolete part
5	951957	1	• Spring pin	
6		1	• Protection, cable connection	
7	3173314	1	• Pass-through	B+
	(1117040)	1	• Pass-through	B-, Obsolete part
8	946330	6	• Hexagon nut	
9	955994	2	O-ring	
10	949762	1	O-ring	
11	(3843329)	1	Tube	Obsolete part
12	21370307	1	Sensor	
13	959207	2	Hex. socket screw	
14	991607	4	Flange screw	
15	21379519	1	Safety box	
16	3809570	1	• Crank	
17	3863070	1	• Tool	
18	(21379527)	1	• Switch	Obsolete part

IPS2-B

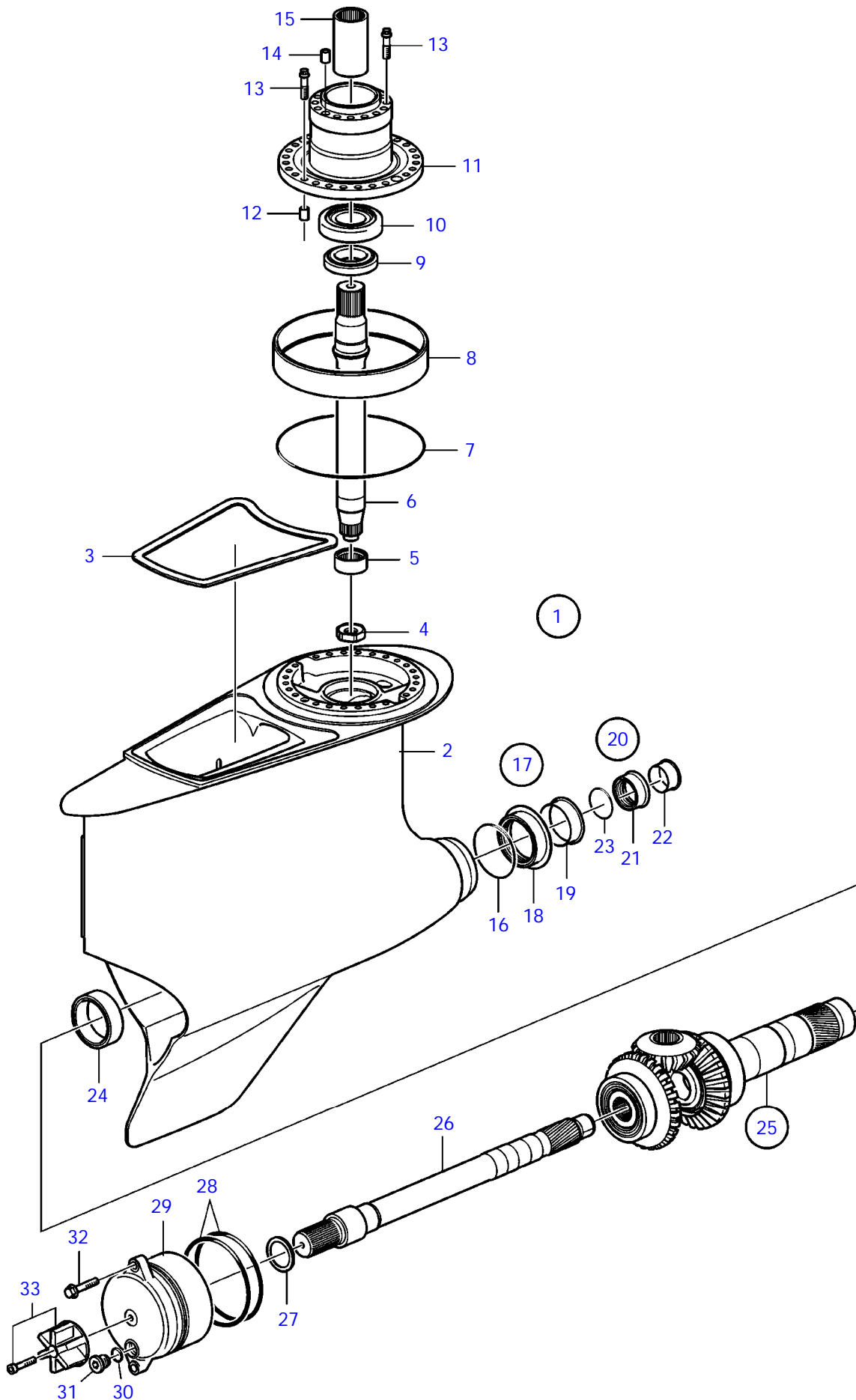


25333

IPS2-B

REF	PART NO.	QTY	DESCRIPTION	NOTES
1	3801401	1	Servo unit, exch	
2	3809775	1	• Closure	
3	948976	1	• O-ring	
4	(3593852)	1	• Sun gear	Obsolete part
5	951957	1	• Spring pin	
6		1	• Protection, cable connection	
7	3173314	1	• Pass-through	B+
	(1117040)	1	• Pass-through	B-, Obsolete part
8	946330	6	• Hexagon nut	
9	955994	2	O-ring	
10	949762	1	O-ring	
11	(3843329)	1	Tube	Obsolete part
12	21370307	1	Sensor	
13	959207	2	Hex. socket screw	
14	991607	4	Flange screw	
15	21379519	1	Safety box	
16	3809570	1	• Crank	
17	3863070	1	• Tool	
18	(21379527)	1	• Switch	Obsolete part

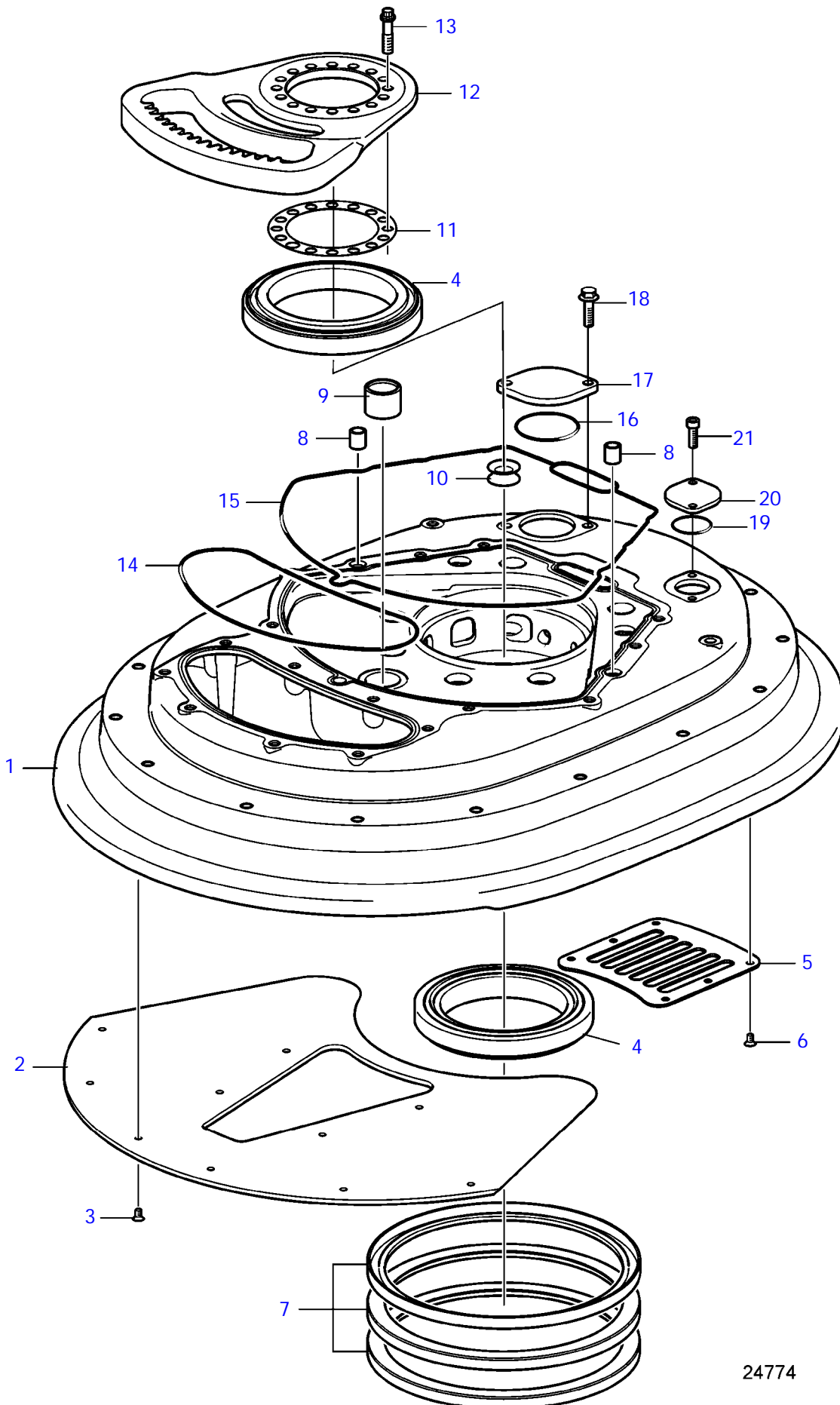
IPS2-A, IPS2-B



IPS2-A, IPS2-B

REF	PART NO.	QTY	DESCRIPTION	NOTES
1	3801240	1	Lower gear, exch	
2	(3818419)	1	• Gear housing	Obsolete part
3	3840978	1	• Sealing ring	
4	3840628	1	• Nut	
5	183859	1	• Needle roller bushin	
6	3840633	1	• Shaft	
7	992376	1	• O-ring	
8	3843491	1	• Ring	
9		1	• Sealing ring	
10	(184660)	1	• Roller bearing	Obsolete part
11	(3818633)	1	• Steering head	Obsolete part
12	(3862569)	1	• Guide sleeve	Obsolete part
13	3860364	26	• Screw	
14	(3862569)	1	• Guide sleeve	Obsolete part
15	3840661	1	• Splined sleeve	
16	949647	1	• O-ring	
17	21441235	1	• Sealing	
18	3840952	1	• • Sealing ring	
19	40005027	1	• • Sleeve	
20	21441233	1	• Sealing	
21	3840953	1	• • Sealing	
22	40005025	1	• • Sleeve	
23	976043	1	• O-ring	
24		1	• Needle roller bearin	
25	21584141	1	• Gear set	
26	3819139	1	• Shaft	
27	3840474	X	• Adjusting washer	2.85 mm; as required
	3840475	X	• Adjusting washer	2.90 mm; as required
	3840476	X	• Adjusting washer	3.00 mm; as required
	3840477	X	• Adjusting washer	3.05 mm; as required
	3848749	X	• Adjusting washer	3.15 mm; as required
28	975315	2	• O-ring	
29	(3818421)	1	• Bearing box	Obsolete part
30	949656	1	• O-ring	
31	3847669	1	• Plug	
32	991609	2	• Flange screw	
33	3593981	1	• Anode kit, cast iron	

IPS2-A, IPS2-B

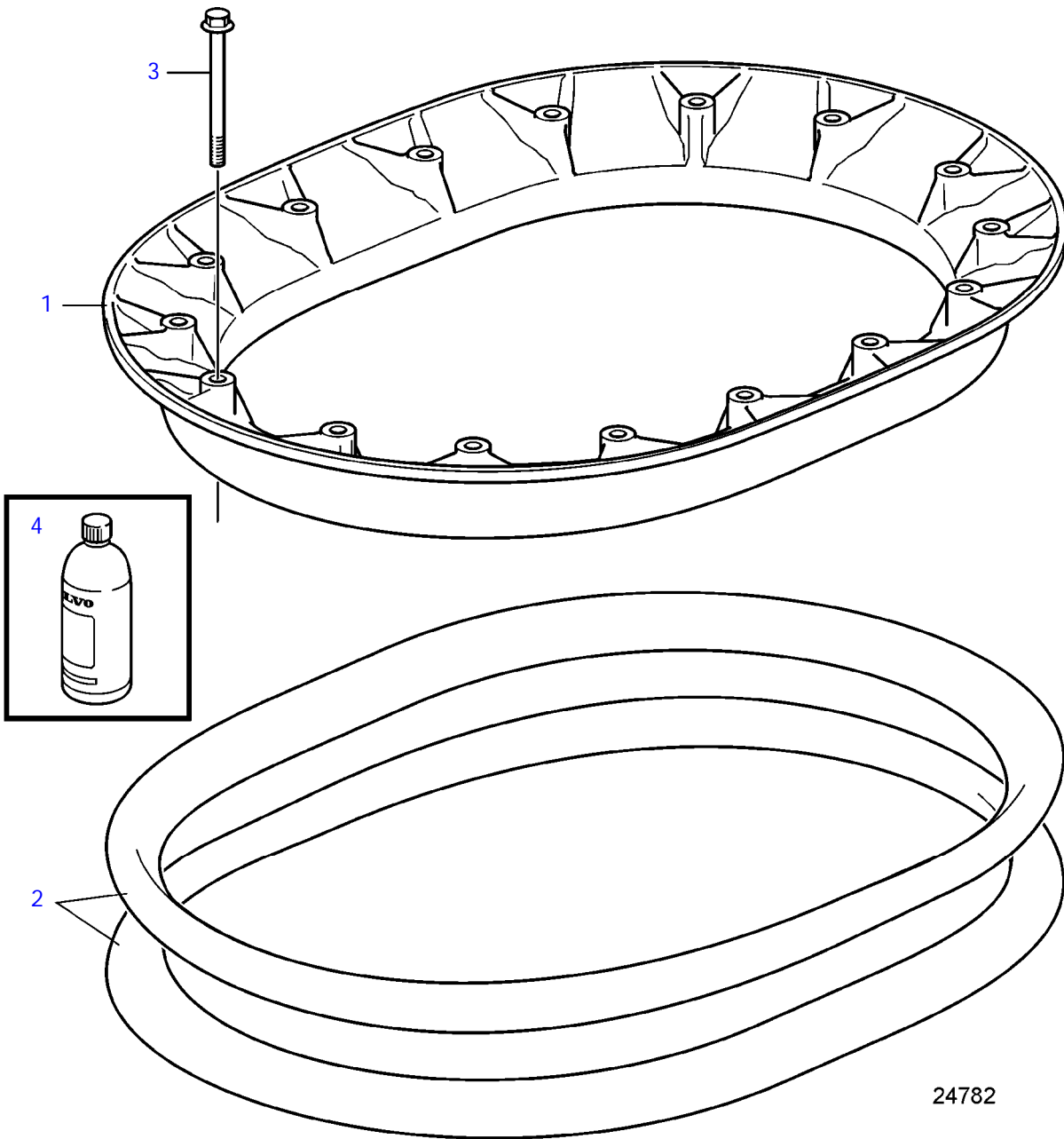


24774

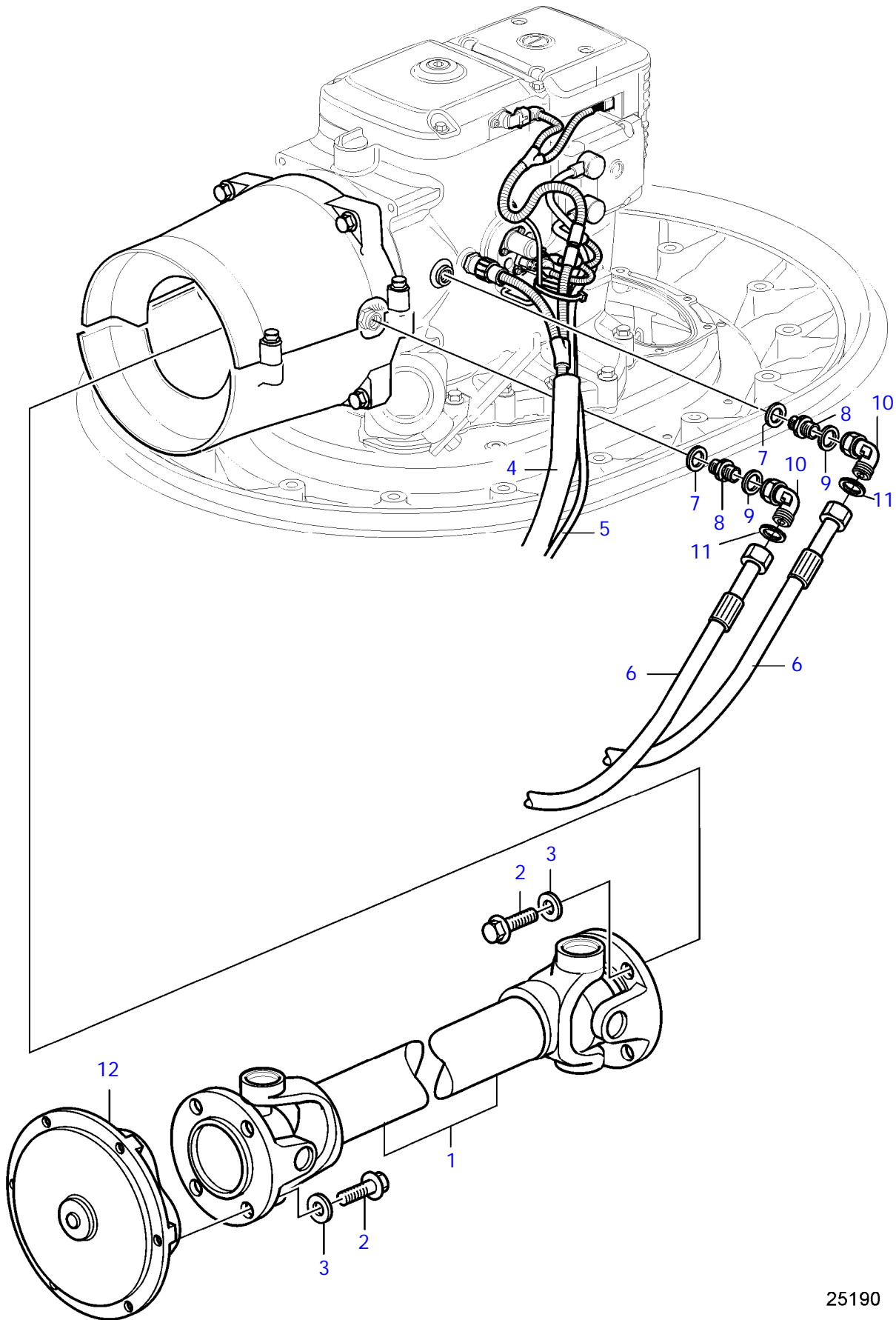
IPS2-A, IPS2-B

REF	PART NO.	QTY	DESCRIPTION	NOTES
1	(3818860)	1	Intermediate housing	
2	3840970	1	Plate	
3	984497	18	6 point socket screw	
4	(990935)	2	Roller bearing	
5	3843260	1	Plate	
6	984497	6	6 point socket screw	
7	21452862	3	Lip seal	
8	(3883162)	2	Guide sleeve	
9	(990922)	1	Needle roller bushin	
10	858979	1	Sealing ring	
11	(3884190)	1	Shim	TH=0.10mm
	3884189	1	Shim	TH=0.15mm
	(3884190)	1	Shim	TH=0.35mm
12	(3841989)	1	Gear segment	
13	3860364	16	Screw	
14	992376	1	O-ring	
15	3884368	1	Sealing	
16	925094	1	O-ring	
17	21280088	1	Cover	
18	992246	2	Flange screw	M10x30
19	925069	1	O-ring	
20	3883365	1	Cover	
21	946541	2	Hex. socket screw	

IPS2-A



IPS2-A

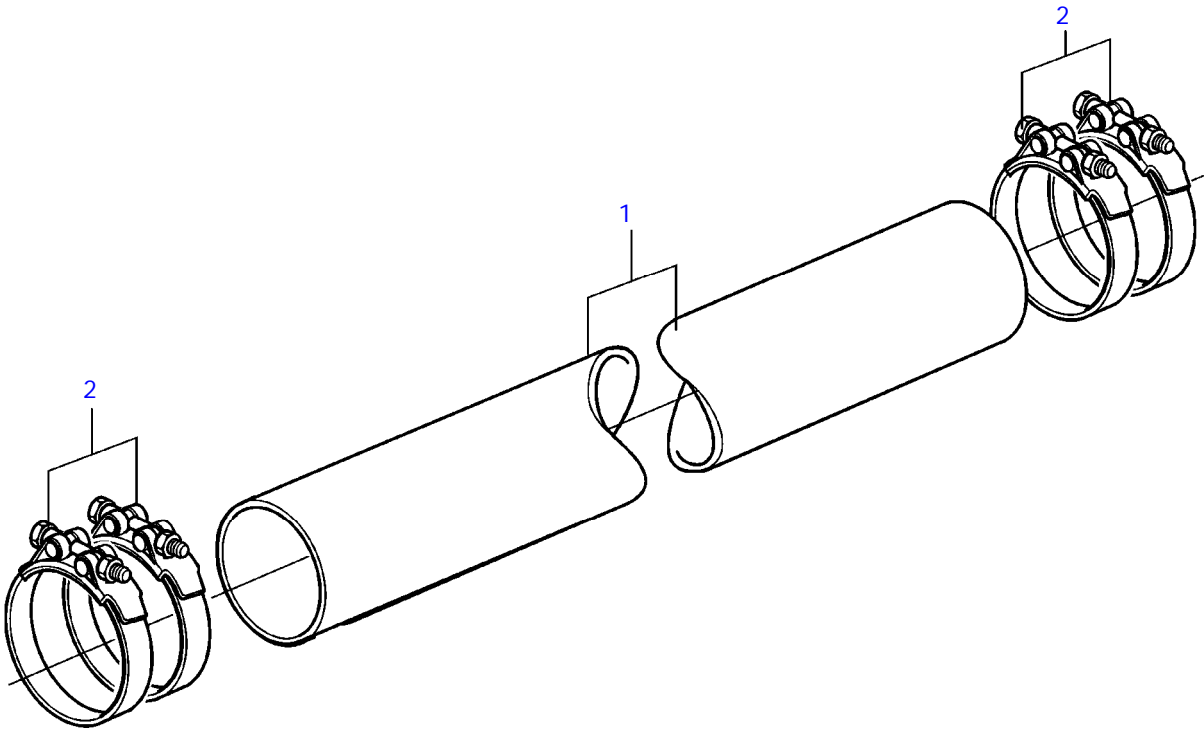


25190

IPS2-A

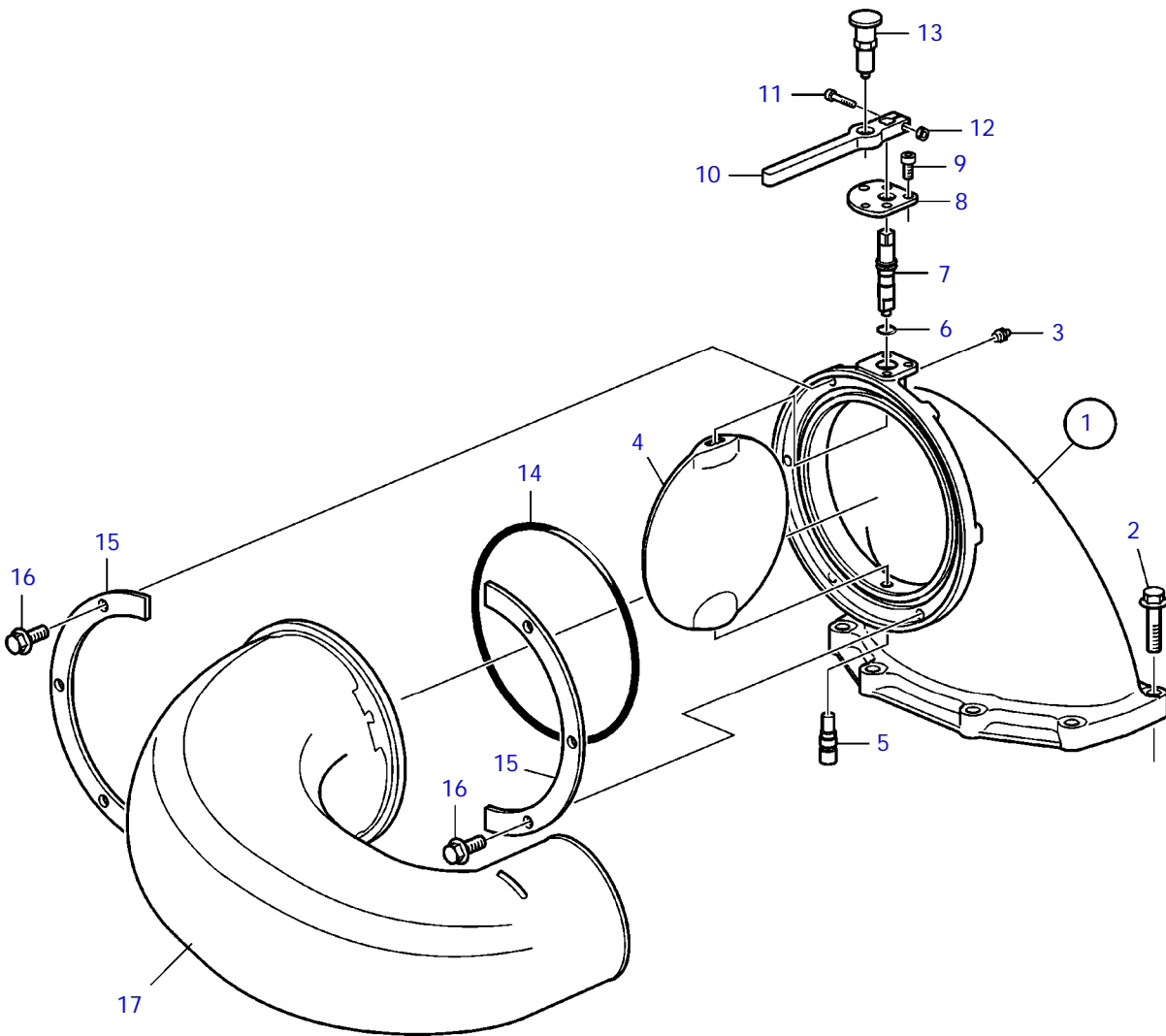
REF	PART NO.	QTY	DESCRIPTION	NOTES
1	3884083	1	Propeller shaft, l=std	Included in kit 3594627
	3889350	1	Propeller shaft, l=700mm	Included in kit 3594628
	3889351	1	Propeller shaft, l= 1000mm	Included in kit 3594629
	3889352	1	Propeller shaft, l=1500mm	Included in kit 3594630
	3889353	1	Propeller shaft, l=1900mm	Included in kit 3594631
	3889354	1	Propeller shaft, l=2400mm	Included in kit 3594632
2	991609	8	Flange screw	
3	955897	8	Washer	
4	21493361	1	Wiring harness	STD
	21493366	1	Wiring harness	For jackshaft L=700mm
	21493367	1	Wiring harness	For jackshaft L=1000mm
	21493368	1	Wiring harness	For jackshaft L=1500mm
	21493369	1	Wiring harness	For jackshaft L=1900mm
	21493370	1	Wiring harness	For jackshaft L=2400mm
5	3594040	1	Wiring harness, power supply	Standard
	3594042	1	Wiring harness, power supply	Jackshaft
6	21294089	1	Hose	Standard, L=570mm
	21294090	1	Hose	Standard, L=690mm
	3885401	2	Hose	For jackshaft L=700mm
	3889337	2	Hose	For jackshaft L=1000mm
	3889338	2	Hose	For jackshaft L=1500mm
	3889339	2	Hose	For jackshaft L=1900mm
	3889340	2	Hose	For jackshaft L=2400mm
7		2	• Gasket	
8	992035	2	Nipple	
9		2	• O-ring	
10	992197	2	Elbow nipple	
11		2	• Gasket	
12	3593770	1	Flexible coupling	

IPS2-A



24897

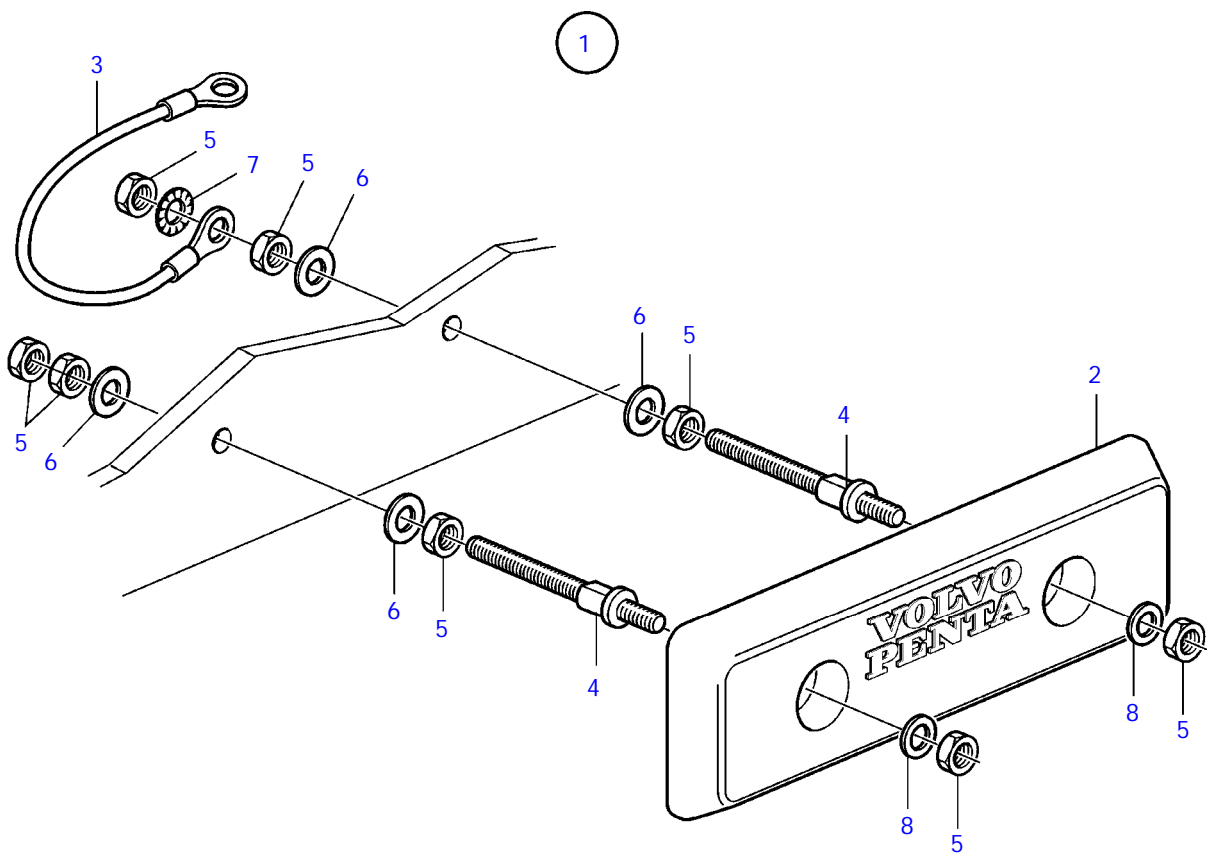
IPS2-A



IPS2-A

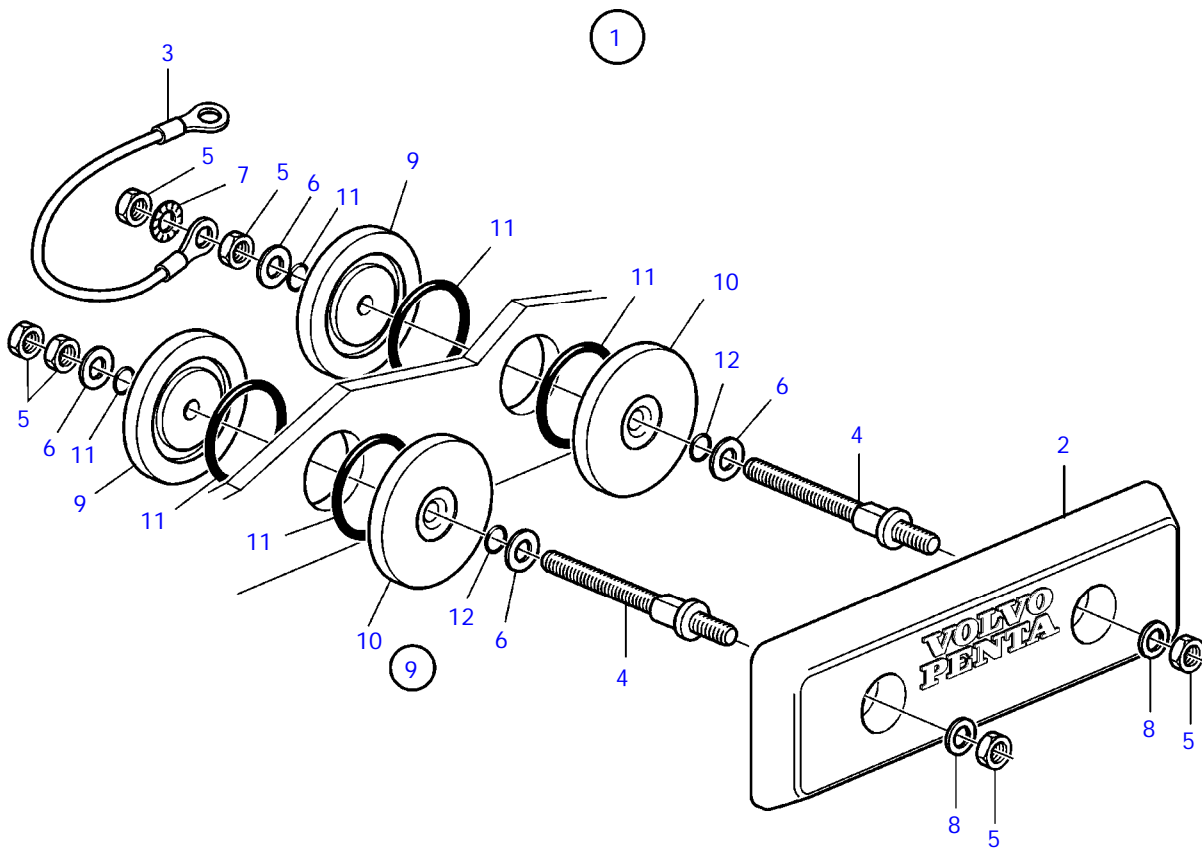
REF	PART NO.	QTY	DESCRIPTION	NOTES
1	3594571	1	Exhaust riser	
2	991608	8	• Flange screw	M12x50
3	(940194)	1	• Lubricating nipple	Obsolete part
4	3887077	1	• Shutter	
5	3887098	1	• Lock plug	
6	968007	1	• O-ring	
7	3594572	1	• Shutter shaft	
8	3594573	1	• Cover	
9	(963696)	3	• Hex. socket screw	Obsolete part
10	3594574	1	• Handle	
11	963686	1	• Hex. socket screw	
12	940197	1	• Hexagon nut	
13	3847777	1	• Setting bolt	
14	976076	1	O-ring	
15	3885286	2	Flange	
16	992246	6	Flange screw	M10x30
17	21326181	1	Exhaust pipe	

IPS2-A



24906

IPS2-A

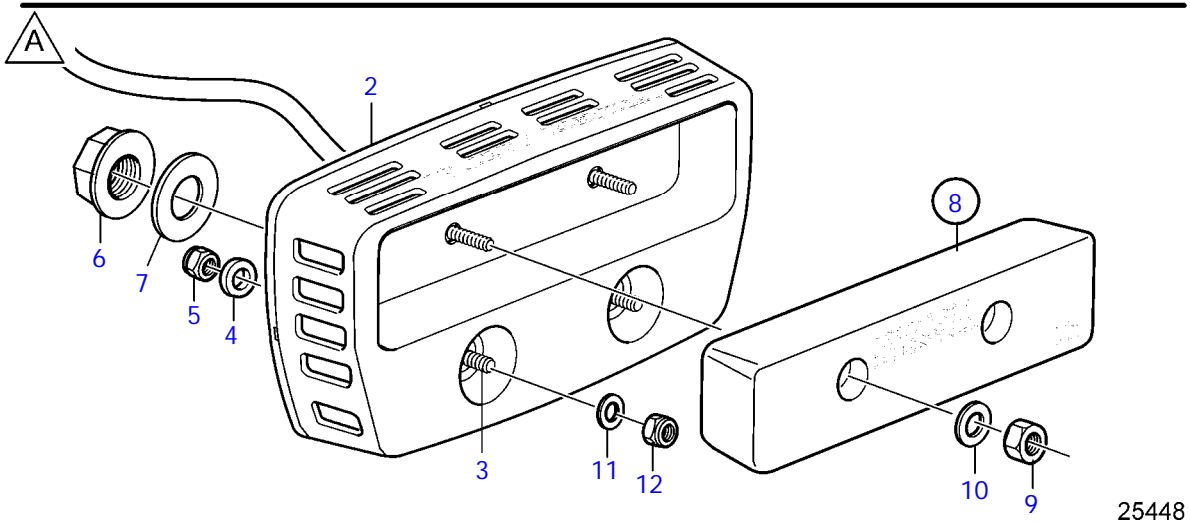
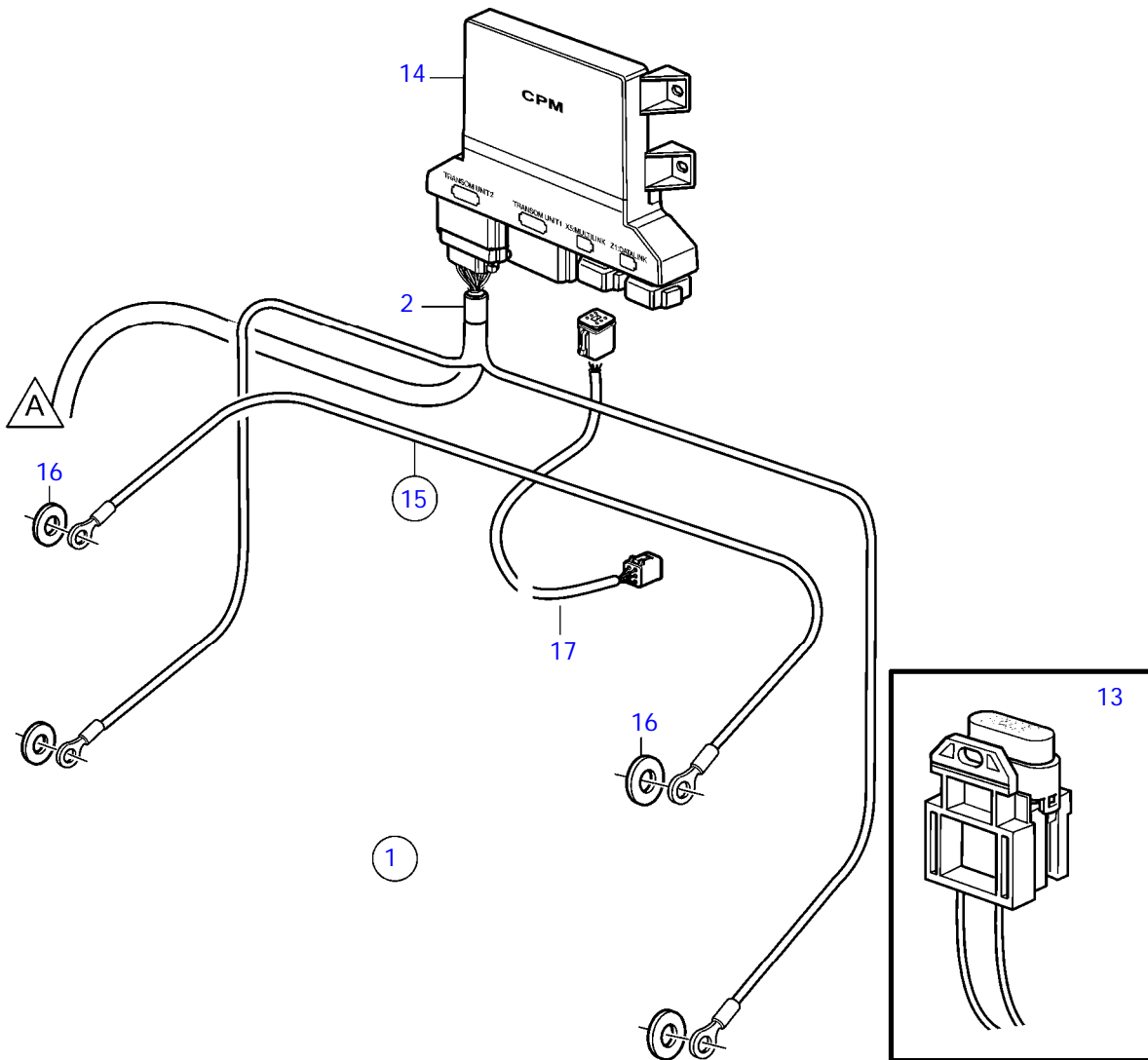


24907

IPS2-A

REF	PART NO.	QTY	DESCRIPTION
1	3875264	1	Anode kit
2	3889901	1	• Anode
3	3875279	1	• Wiring harness
4	21211781	2	• Rod
5	991657	7	• Hexagon nut
6	991659	4	• Washer
7	991660	1	• Toothed washer
8	991658	2	• Washer
9	21211763	1	Anode kit
10	21211765	4	• Shim
11	975692	4	• O-ring
12	975652	4	• O-ring

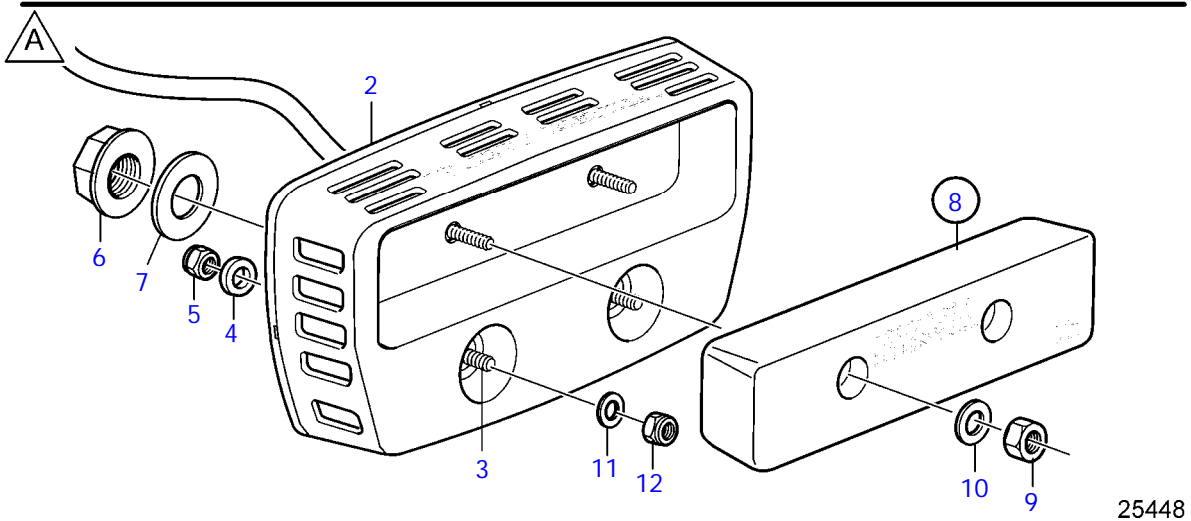
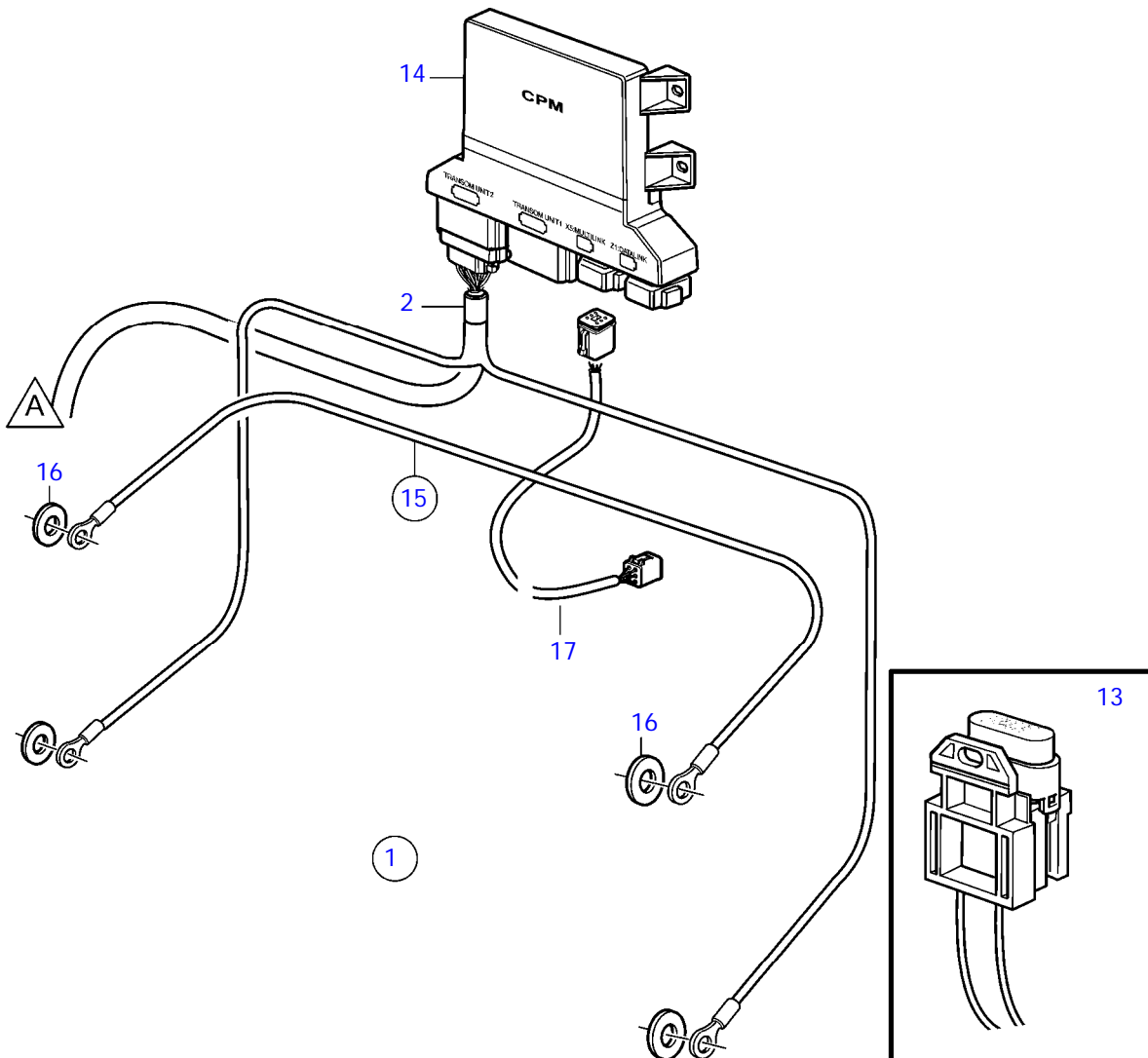
IPS2-A, IPS2-B



IPS2-A, IPS2-B

REF	PART NO.	QTY	DESCRIPTION	NOTES
1	21205514	1	Protection against c, complete	
2	21174473	1	• Protection against c, kit	
3	21106334	4	• Stud	
4	21158077	4	• Gasket	
5	971089	4	• Lock nut	
6	21155192	1	• Hull fitting	
7	21157128	1	• Shim	
8	21174476	1	• Anode kit, zinc	
9	991657	2	• • Hexagon nut	
10	991658	2	• • Washer	
11	991658	2	• Washer	
12	991657	2	• Hexagon nut	
13	873852	1	• Fuse holder	5A
14	21174510	1	• Control unit	
15	21200402	1	• Cable kit	
16	993419	2	• • Washer	
17	3588206	1	• Cable kit	Multilink.

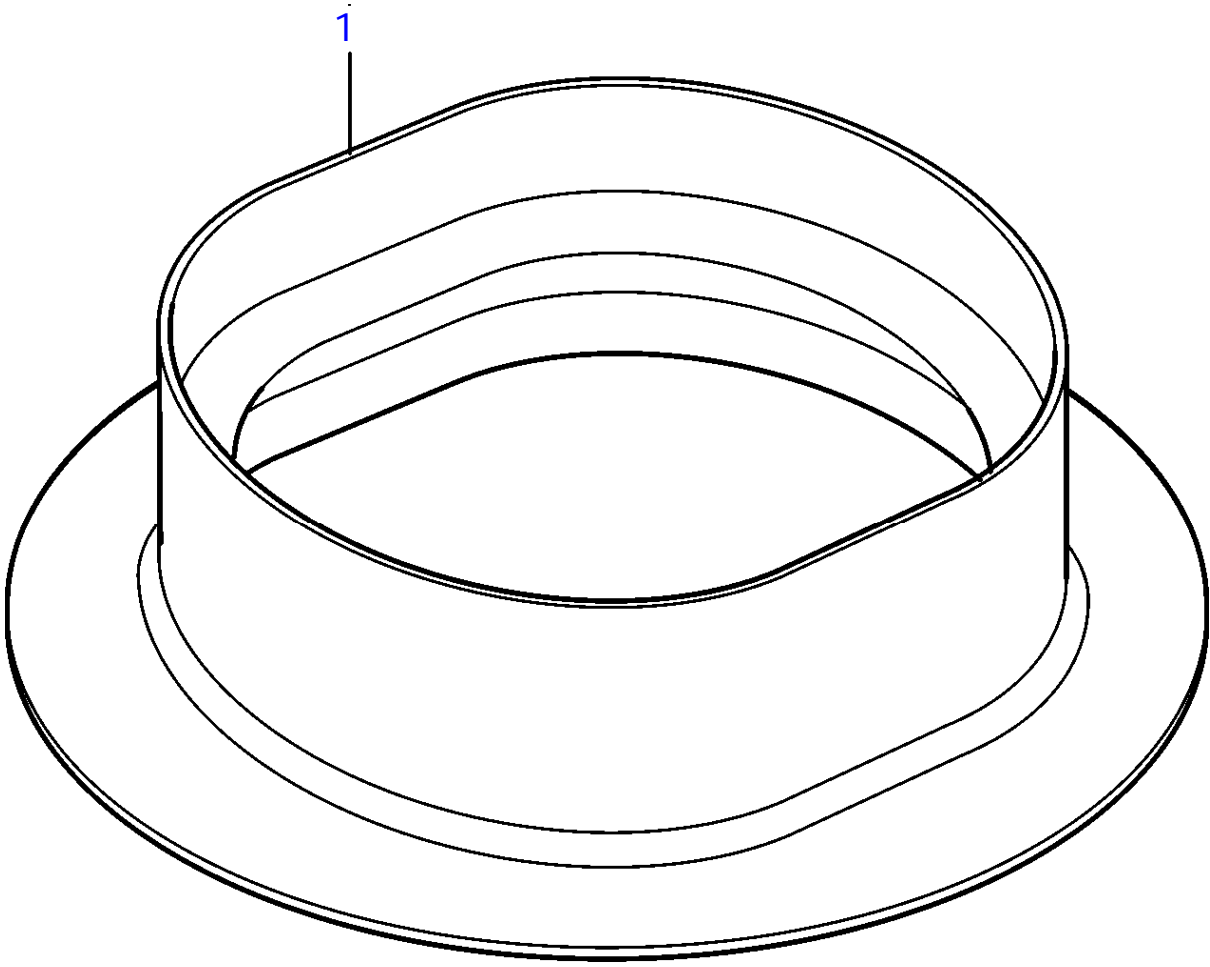
IPS2-A, IPS2-B



25448

IPS2-A, IPS2-B

REF	PART NO.	QTY	DESCRIPTION	NOTES
1	21430283	1	Control unit, kit	
2	21174473	1	• Protection against c	
3	21106334	4	• Stud	
4	21158077	4	• • Gasket	
5	971089	4	• • Lock nut	
6	21155192	1	• • Hull fitting	
7	21157128	1	• • Shim	
8	21174476	1	• Anode kit, zinc	
9	991657	2	• • Hexagon nut	
10	991658	2	• • Washer	
11	991658	2	• Washer	
12	991657	2	• Hexagon nut	
13	21446512	1	• Fuse holder	10A
14	21427367	1	• Electronic unit	
15	21200402	1	• • Cable kit	
16	993419	2	• • Washer	
17	3588206	1	• Cable kit	Multilink.



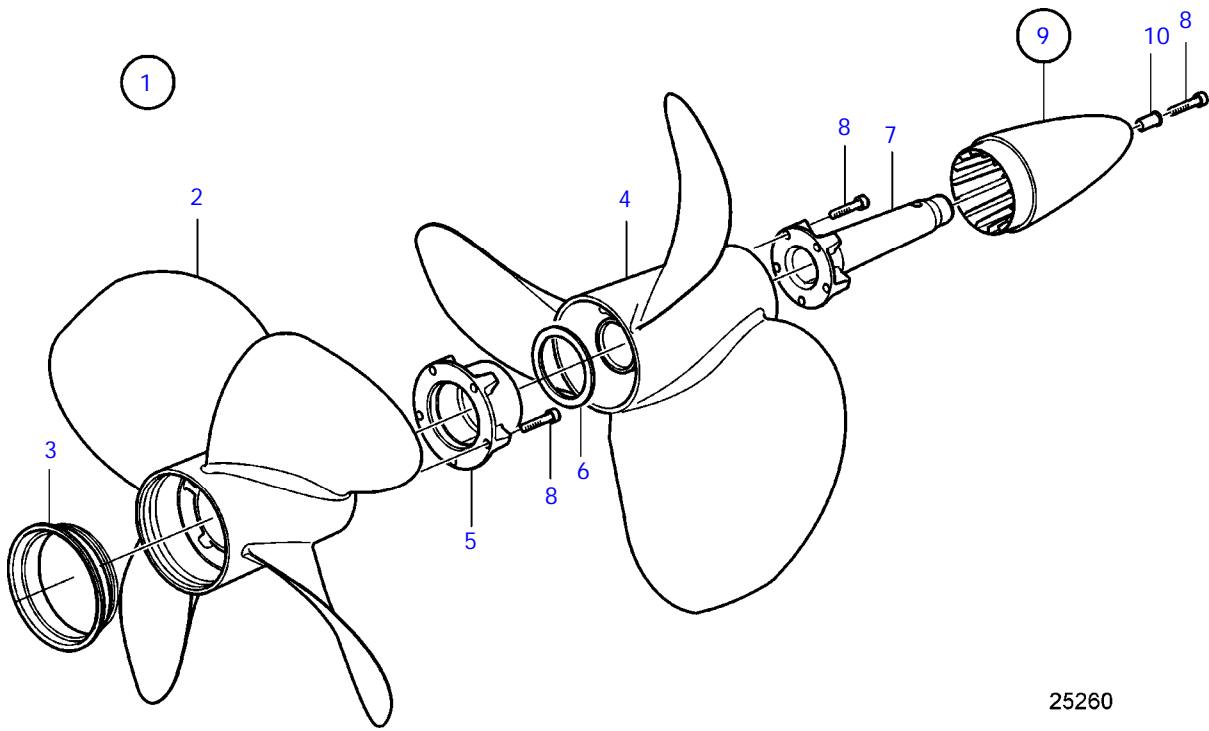
22772

IPS2-A

REF	PART NO.	QTY	DESCRIPTION	NOTES
1	3594508	1	Hull insert	Fiber glass
	3594507	1	Hull insert	Aluminium



IPS2-A



25260

IPS2-A

REF	PART NO.	QTY	DESCRIPTION	NOTES
1	3843980	1	Propeller kit, set	P1
	3843956	1	Propeller kit, set	P2
	3843959	1	Propeller kit, set	P3
	3843962	1	Propeller kit, set	P4
	3843965	1	Propeller kit, set	P5
	3843968	1	Propeller kit, set	P6
	3843971	1	Propeller kit, set	P7
	3843974	1	Propeller kit, set	P8
2	3843982	1	• Propeller, rear	P1
	3843958	1	• Propeller, rear	P2
	3843961	1	• Propeller, rear	P3
	3843964	1	• Propeller, rear	P4
	3843967	1	• Propeller, rear	P5
	3843970	1	• Propeller, rear	P6
	3843973	1	• Propeller, rear	P7
	3843976	1	• Propeller, rear	P8
3	3843992	1	• • Ring	
4	3843981	1	• Propeller, front	P1
	3843957	1	• Propeller, front	P2
	3843960	1	• Propeller, front	P3
	3843963	1	• Propeller, front	P4
	3843966	1	• Propeller, front	P5
	3843969	1	• Propeller, front	P6
	3843972	1	• Propeller, front	P7
	3843975	1	• Propeller, front	P8
5	21154277	1	Propeller nut	
6	3593639	1	Felt washer	
7	21154206	1	Propeller nut	
8	963699	11	Hex. socket screw	
9	21154200	1	Spinner	
10		1	• Spacer sleeve	

IPS2-A

REF	PART NO.	QTY	DESCRIPTION	NOTES
1	21376960	1	Disc kit	
	949841	1	• O-ring	
	40005557	1	• Piston ring	
	40005559	1	• O-ring	(994421)
	21177270	8	• Spring	



--

DESCRIPTION	SEE SEC.	NOTES
Drive, Assembly IPS2	35620	IPS2-A
Gear Housing, Upper	35622	IPS2-A, IPS2-B
Upper Gear Set and Shaft	35623	IPS2-A
Oil Pump and Input Bearing Housing	35624	IPS2-A
Steering Motor EVC-C	35625	IPS2-A
Steering Motor EVC-D	36204	IPS2-B
Lower Gear Unit	35621	IPS2-A, IPS2-B
Intermediate Housing	35627	IPS2-A, IPS2-B
Mounting Kit, Clamp Ring	35628	IPS2-A
Connecting Components	35631	IPS2-A
Exhaust Line	35788	IPS2-A
Exhaust Pipe Kit	35634	IPS2-A
Transom Anode for Fiberglass Hulls	35789	IPS2-A
Transom Anode for Metal Hulls	35790	IPS2-A
Active Corrosion Protection System, ACP, Twin Installation	35008	IPS2-A, IPS2-B
Active Corrosion Protection System, ACP, Triple and Quadruple Installation	36337	IPS2-A, IPS2-B
Hull Insert for IPS Unit	35633	IPS2-A
Propellers for IPS Unit	35632	IPS2-A

--

DESCRIPTION	SEE SEC.	NOTES
Repair Kits	35635	IPS2-A



