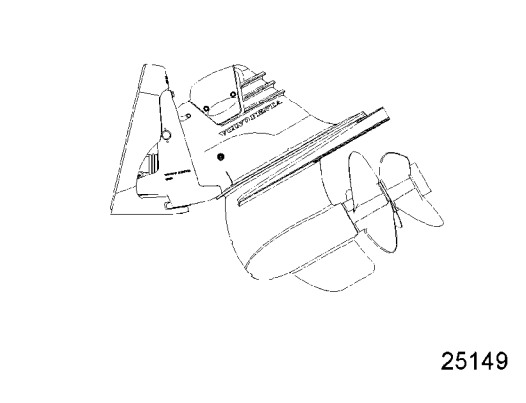
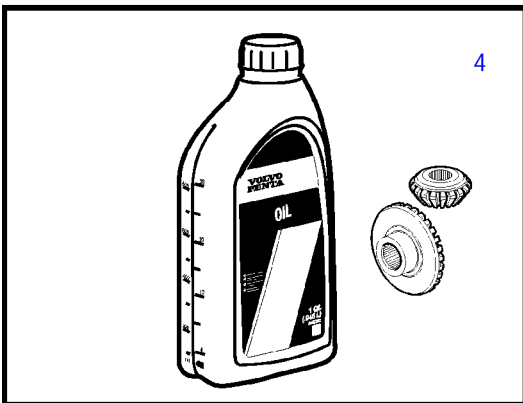
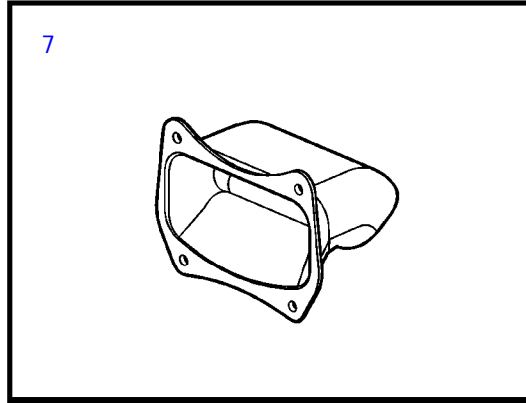
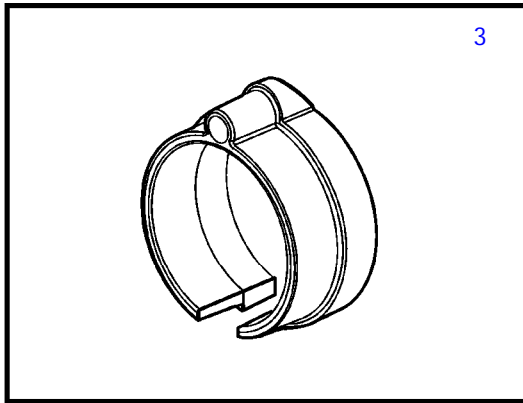
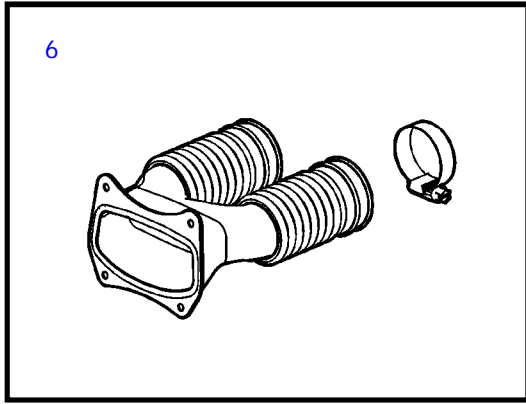
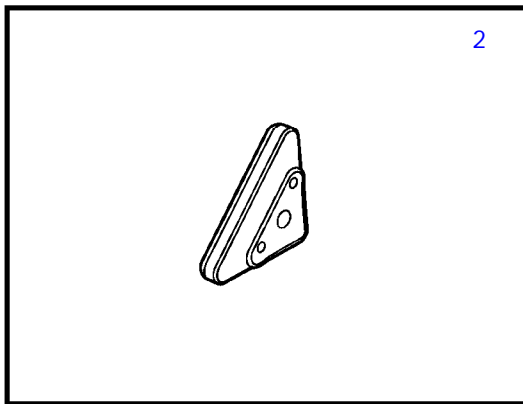
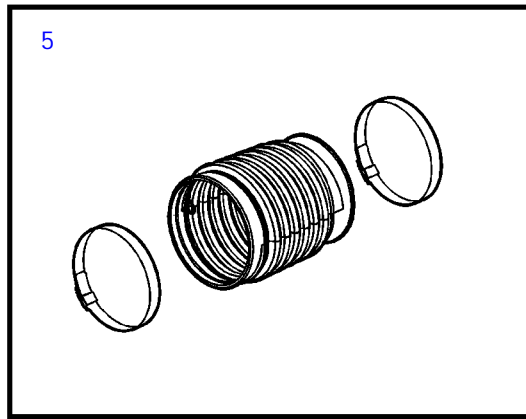
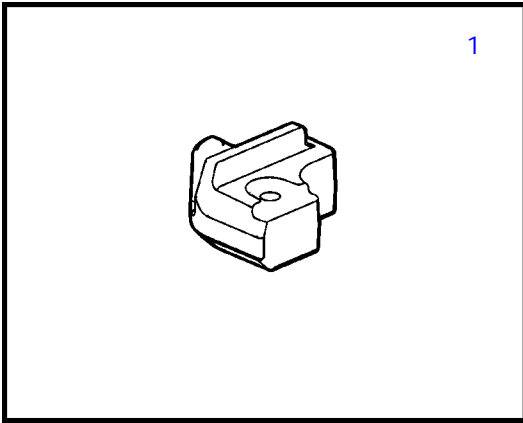


XDP-B



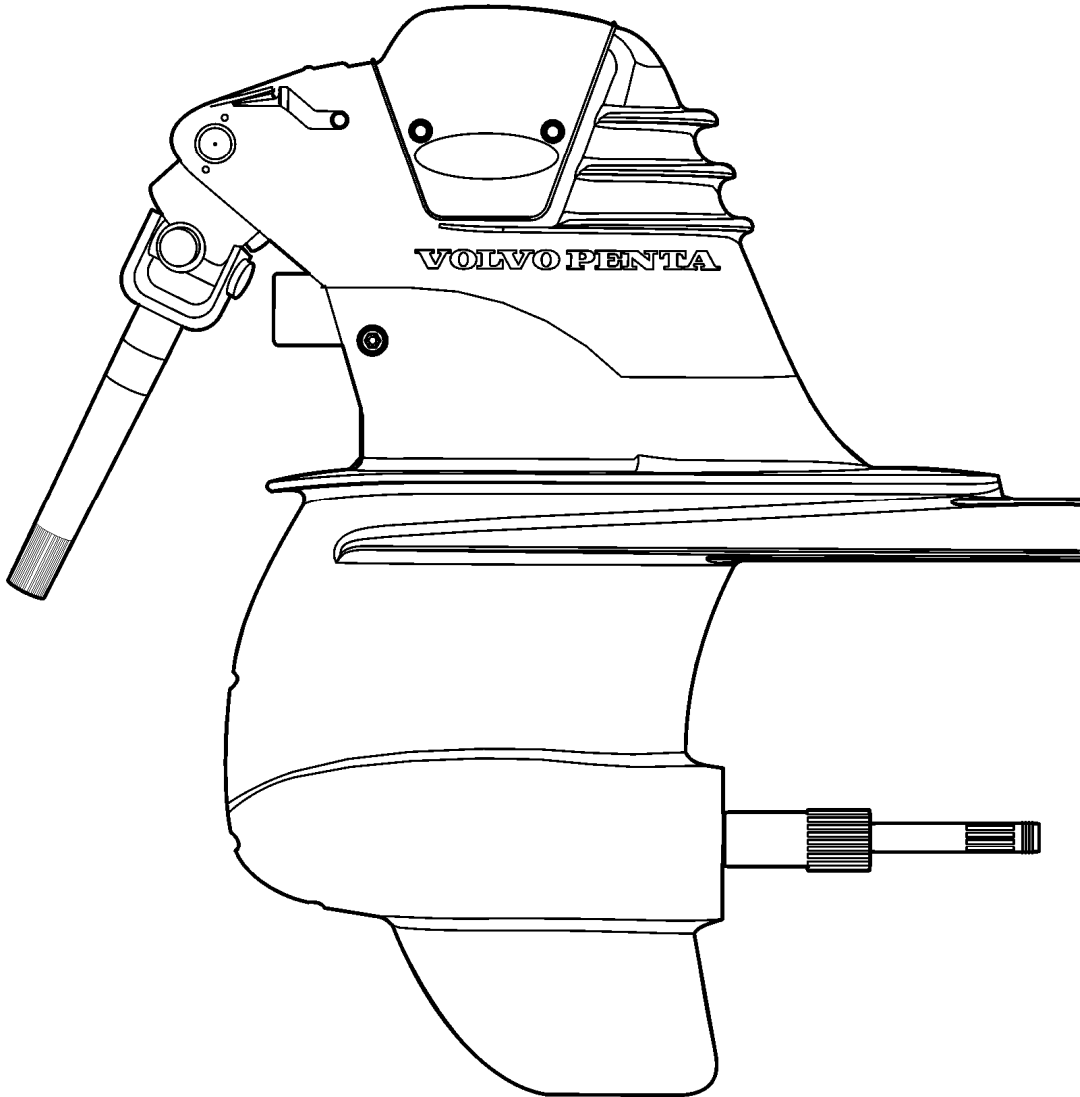
25149

XDP-B

REF	PART NO.	QTY	DESCRIPTION	NOTES
1	3861636	1	Anode	
	3861633	1	Magnesium anode	
2	872793	1	Zinc electrode	
3	3861634	1	Anode	
	3861635	1	Magnesium anode	
4		X	Transmission oil	Fill level is determined by dipstick
		X	Transmission oil	USA
	1141679	3	Transmission oil	12x1 qt
	1141680	1	Transmission oil	4x1 gal
	1141681	1	Transmission oil	5 US gal
		X	Transmission oil	Europe and other markets
	3809443	3	Transmission oil	1L
	1161995	1	Oil	5L
	3809441	1	Transmission oil	20L
5	21277185	1	Bellows, u-joint	replaced by next part number
	853012	2	• Hose clamp	
6	3885871	1	Bellows, exhaust	replaced by next part number
	3885871	1	Bellows	
	3854978	2	Hose clamp	
7	3587641	1	Bellows	XXP-A, XXP-alt

XDP-B

1



22823

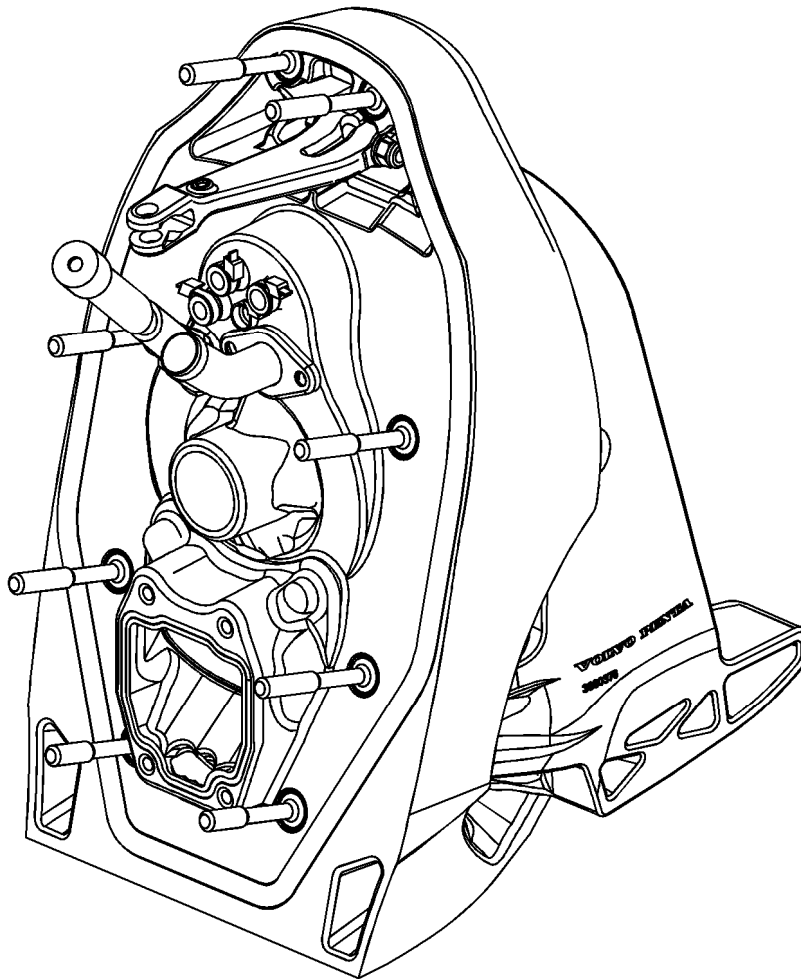
XDP-B

REF	PART NO.	QTY	DESCRIPTION	NOTES
1	3869153	1	Drive	XDP-B, 1.78:1
	3869152	1	Drive	XDP-B, 1.96:1
	3869299	1	Drive	XDP-B, 2.11:1
	3869151	1	Drive	XDP-B, 2.32:1



X-B, X-BLT, XHP-B, XHP-BLT, XXP-A, XXP-ALT, XXP-D3

1



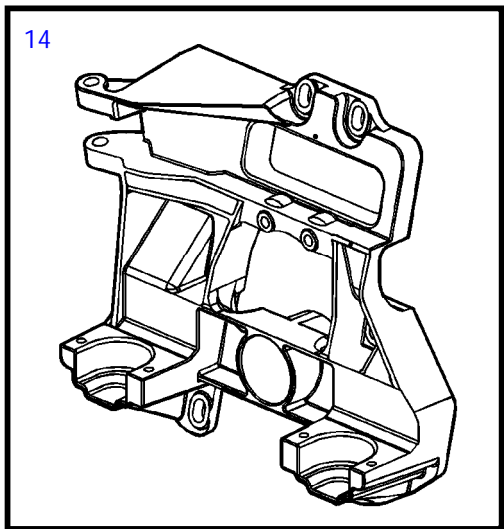
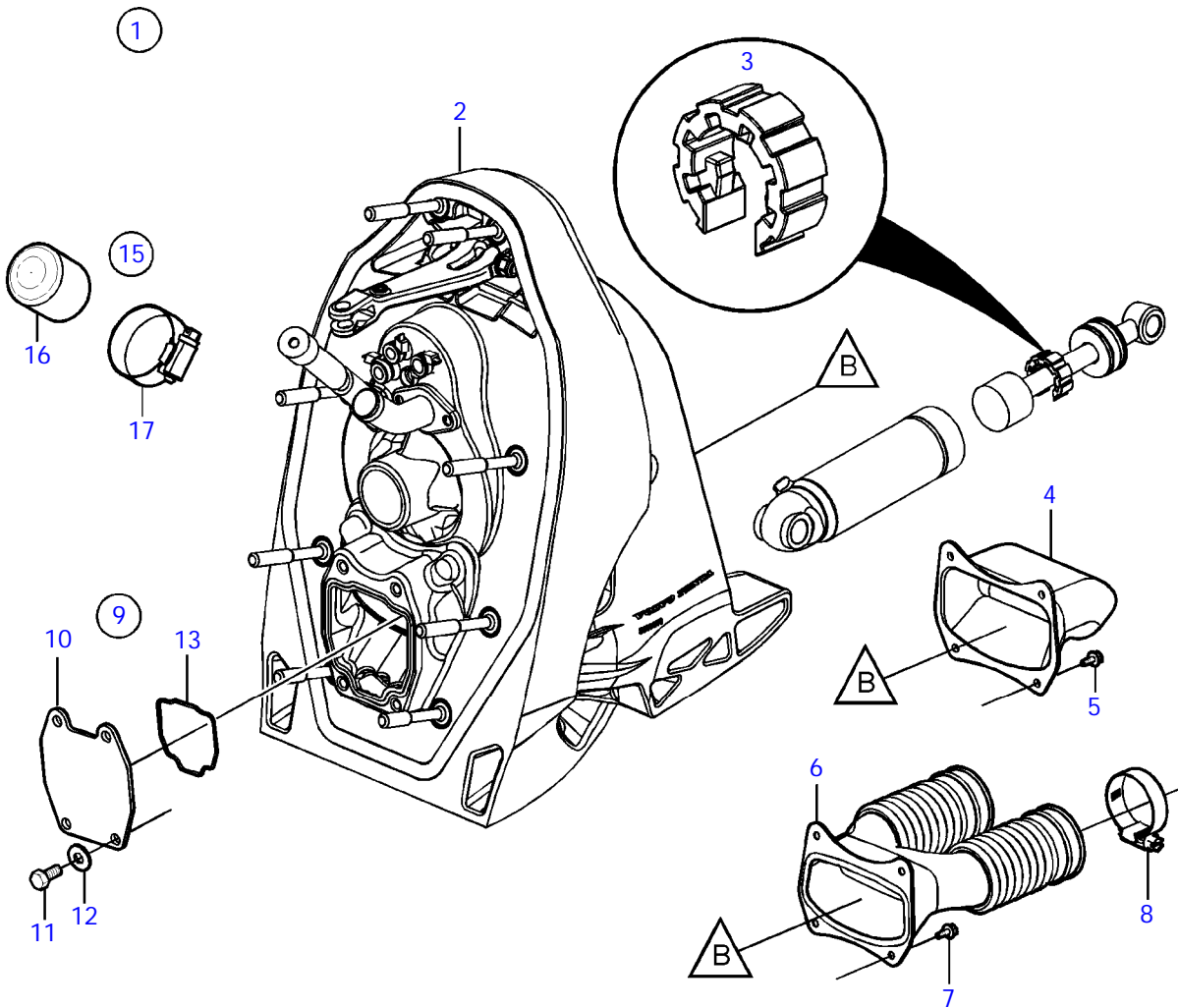
25714

X-B, X-BLT, XHP-B, XHP-BLT, XXP-A, XXP-ALT, XXP-D3

REF	QTY	DESCRIPTION	SEE SEC.	NOTES
1	X	Transom shield, complete	36335	all XDP TSKs have been replaced by 21485669



X-B, X-BLT, XHP-B, XHP-BLT, XXP-A, XXP-A, XXP-ALT, XXP-ALT

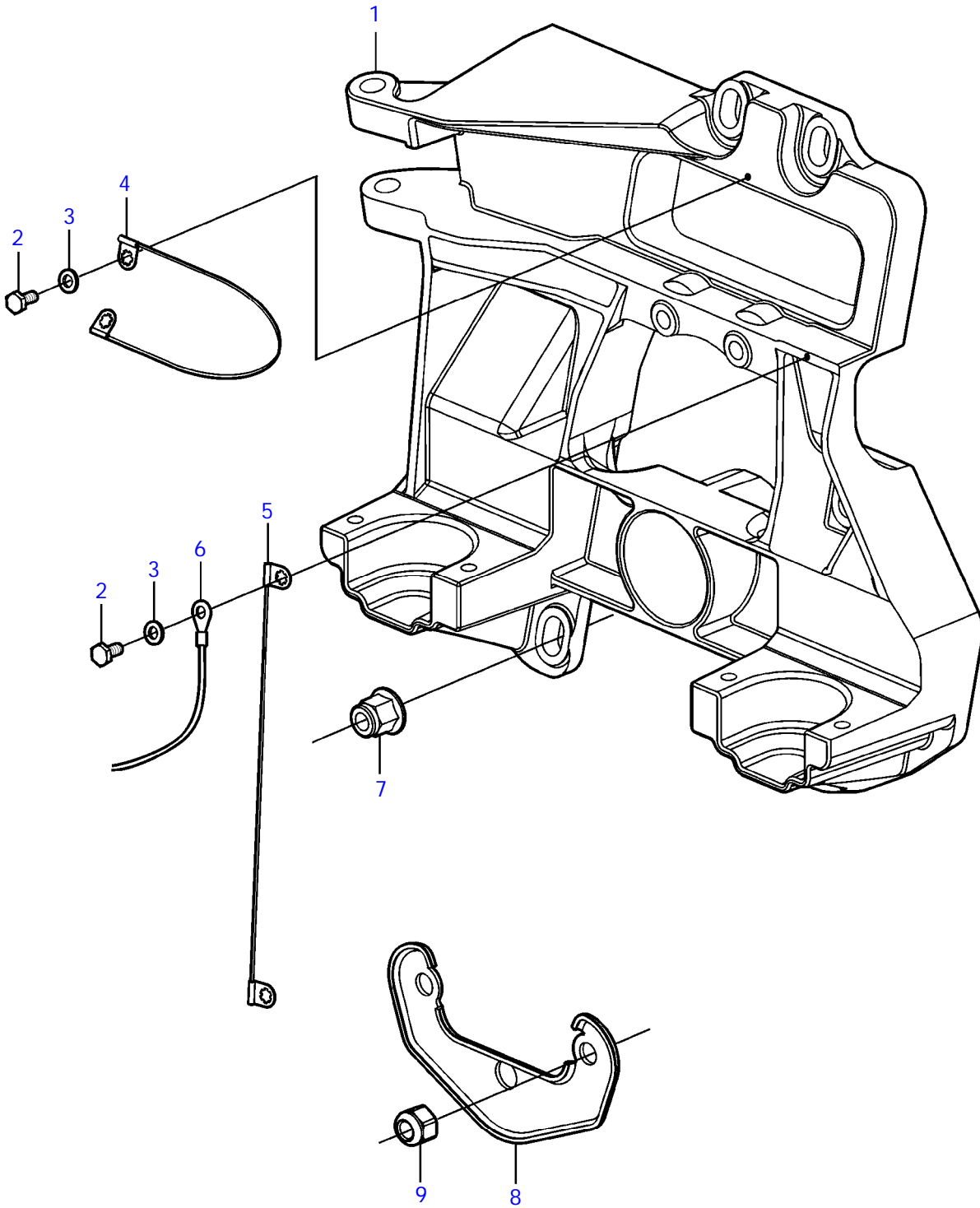


25446

X-B, X-BLT, XHP-B, XHP-BLT, XXP-A, XXP-A, XXP-ALT, XXP-ALT

REF	PART NO.	QTY	DESCRIPTION	SEE SEC.	NOTES
1	21485669	1	Kit		
2		1	• Transom shield, XHP		See XHP-B shield for parts
3		2	• Limiter		Trim cylinder
4	3589500	1	• Exhaust outlet, XHP		
5	982283	4	• Flange screw		
6	3885871	1	• Bellows, exhaust		
7	982283	4	• Flange screw		
8	3854978	2	• Hose clamp		
9	3862582	1	• Kit		
10	(3855228)	1	• • Cover plate		Obsolete part
11	3855227	2	• • Hexagon screw		
12	3852002	2	• • Spring washer		
13	3860984	1	• Sealing		
14	3854605	1	• Shield	4611	
15	3862566	1	• Kit		
16	3852476	1	• • Cardboard tube		
17	3862602	1	• • Hose assembly		

X-B, X-BLT, XHP-B, XHP-BLT, XXP-A, XXP-ALT, XXP-D3

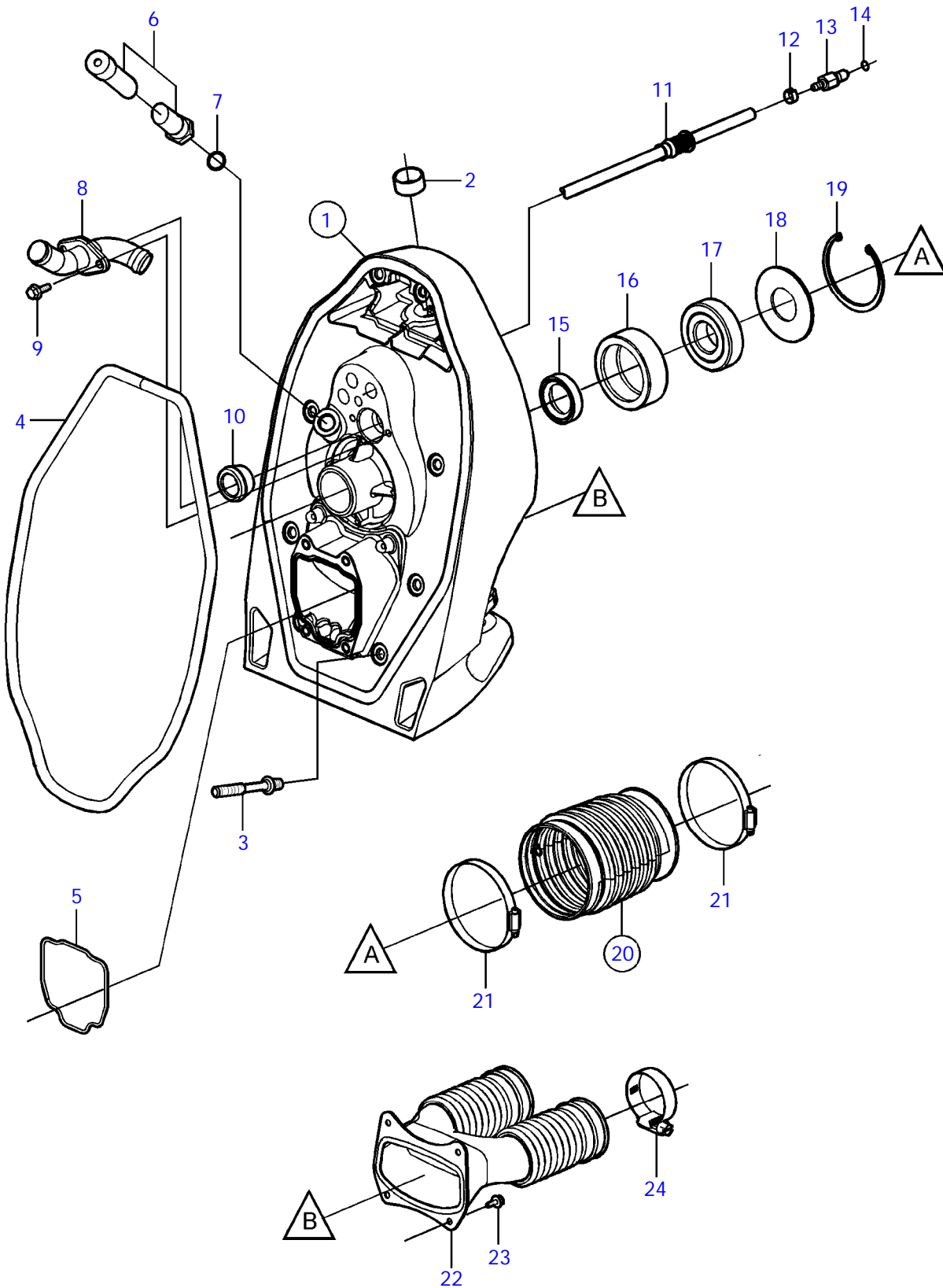


22604

X-B, X-BLT, XHP-B, XHP-BLT, XXP-A, XXP-ALT, XXP-D3

REF	PART NO.	QTY	DESCRIPTION	NOTES
1	3854605	1	Shield	
2	3852050	2	Screw	
3	3852193	2	Washer	
4	3857347	1	Ground cable	
5	3857347	1	Ground cable	Not used on later versions.
6	3853927	1	Chassie ground cable	
7	977938	6	Flange lock nut	
8	3852605	1	Bearing plate	
9	963108	2	Lock nut	

X-B, X-BLT

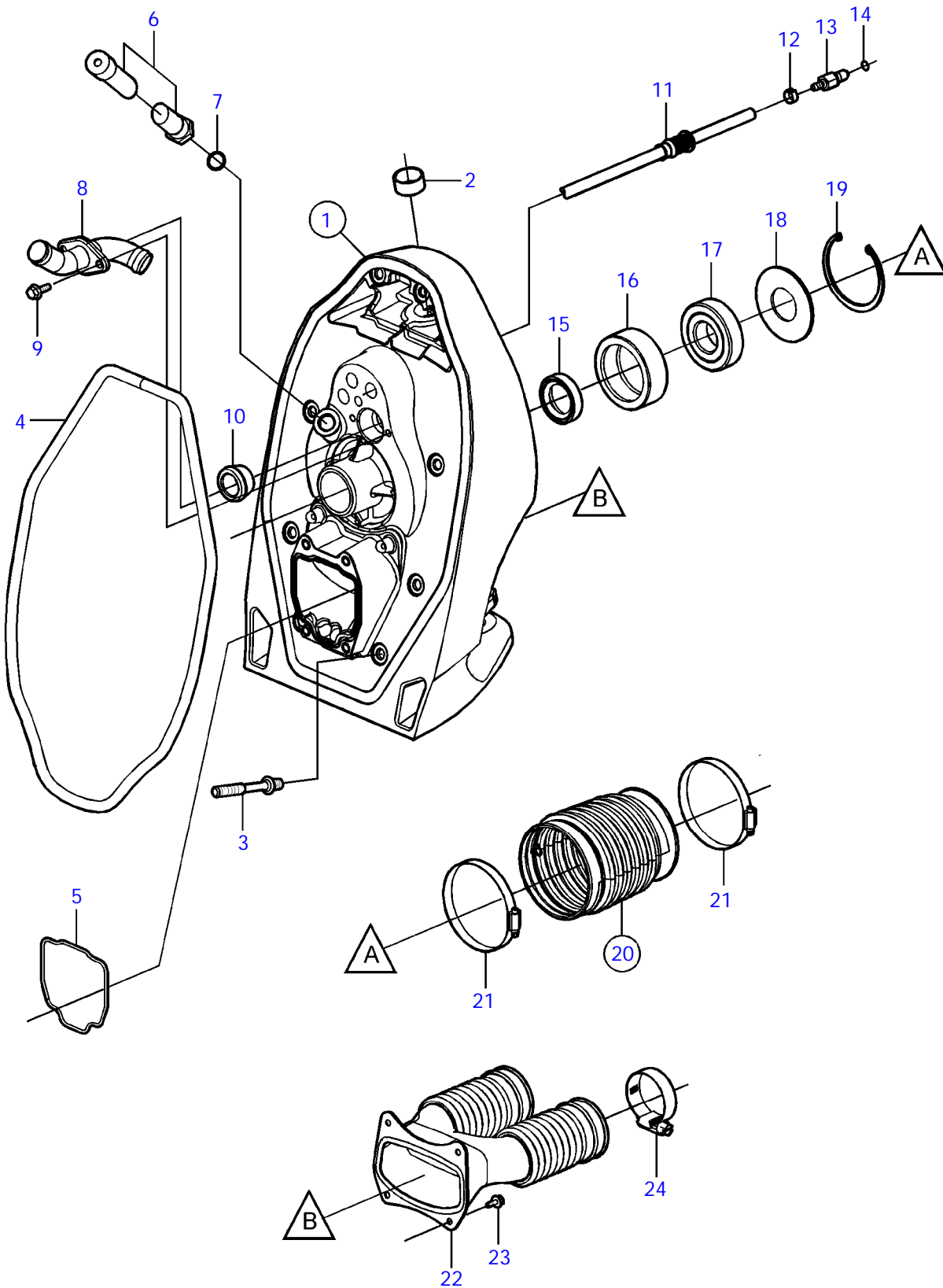


18069

X-B, X-BLT

REF	PART NO.	QTY	DESCRIPTION	SEE SEC.	NOTES
1	3862066	1	Shield		
			• Bulletin P-44-1-23	P-44-1-23-EN	XDP TSK Replacement
2	3860446	1	• Bearing		
3	3861840	6	• Stud		L=88mm
	3861841	2	• Stud		L=74mm
4	3860377	1	• Sealing		
5	3860984	1	• Sealing		
6	3856800	1	Hose, shift cable		
7	3852537	1	O-ring		
8	3862038	1	Tube		
9	982285	2	Flange screw		
10	3852556	1	Bushing		
11	3862289	1	Oil line	4601	
12	982713	1	• Clamp		
13	3862115	1	• Fitting		
14	942978	1	• • O-ring		
15	3852548	1	Sealing		
16	3860365	1	Rubber collar		
17	184860	1	Ball bearing		
18	3862067	1	Plate, bearing		
19	3861006	1	Snap ring		
20	3886847	1	Bellows kit		
21	853012	2	• Hose clamp		
22	3885870	1	Bellows		
23	982283	4	Flange screw		
24	3854978	2	Hose clamp		

XHP-B, XHP-BLT, XXP-D3

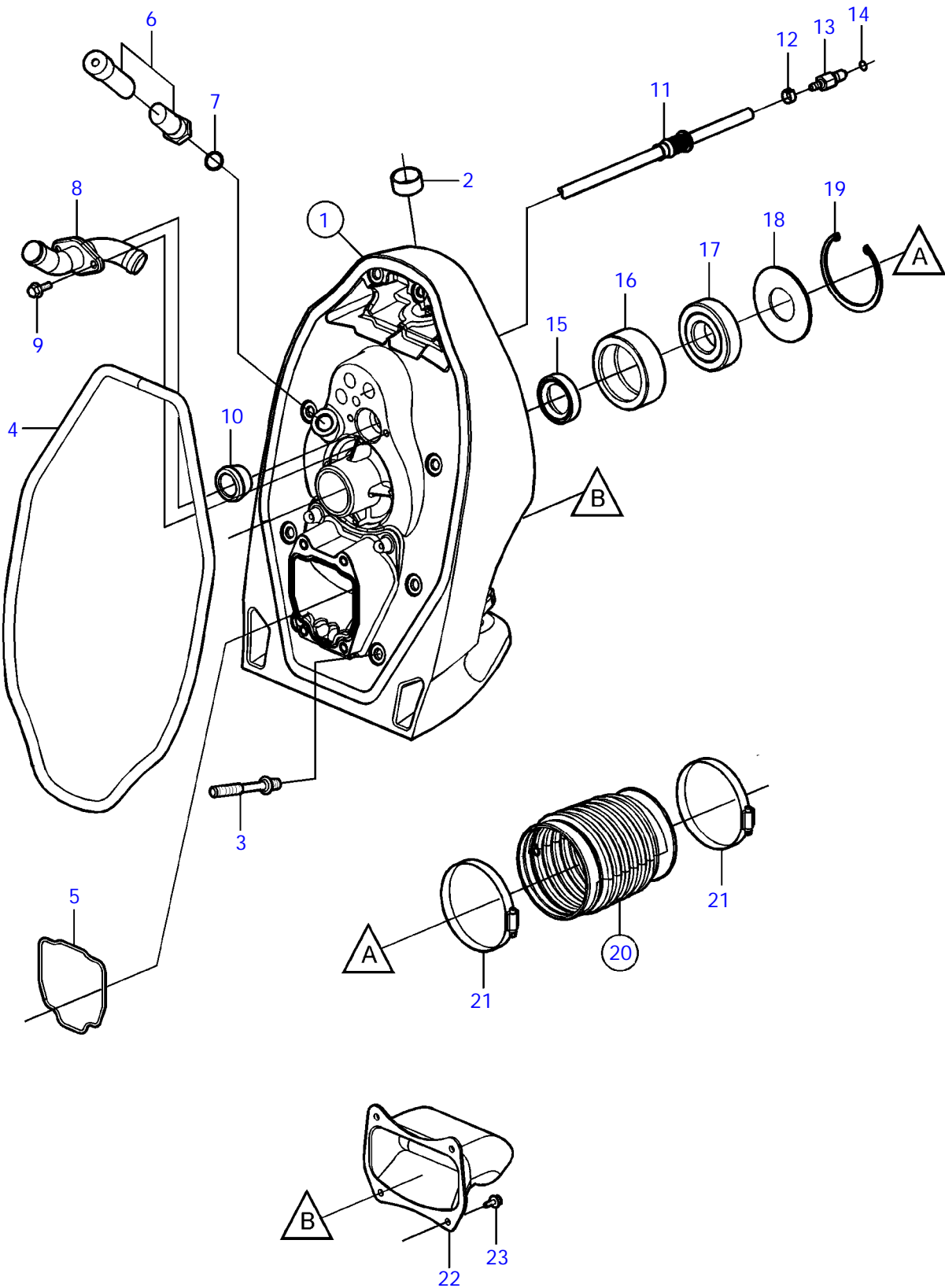


18069

XHP-B, XHP-BLT, XXP-D3

REF	PART NO.	QTY	DESCRIPTION	SEE SEC.	NOTES
1	3862498	1	Shield		
			• Bulletin P-44-1-23	P-44-1-23-EN	XDP TSK Replacement
2	3860446	1	• Bearing		
3	3861840	6	• Stud		L=88mm
	3861841	2	• Stud		L=74mm
4	3860377	1	• Sealing		
5	3860984	1	• Sealing		
6	3856800	1	Hose, shift cable		
7	3852537	1	O-ring		
8	3862038	1	Tube		
9	982285	2	Flange screw		
10	3852556	1	Bushing		
11	3862289	1	Oil line	4601	
12	982713	1	• Clamp		
13	3862115	1	• Fitting		
14	942978	1	• • O-ring		
15	3852548	1	Sealing		
16	3860365	1	Rubber collar		
17	184860	1	Ball bearing		
18	3862067	1	Plate, bearing		
19	3861006	1	Snap ring		
20	3886847	1	Bellows kit		
21	853012	2	• Hose clamp		
22	3885871	1	Bellows		
23	982283	4	Flange screw		
24	3854978	2	Hose clamp		

XXP-A, XXP-ALT

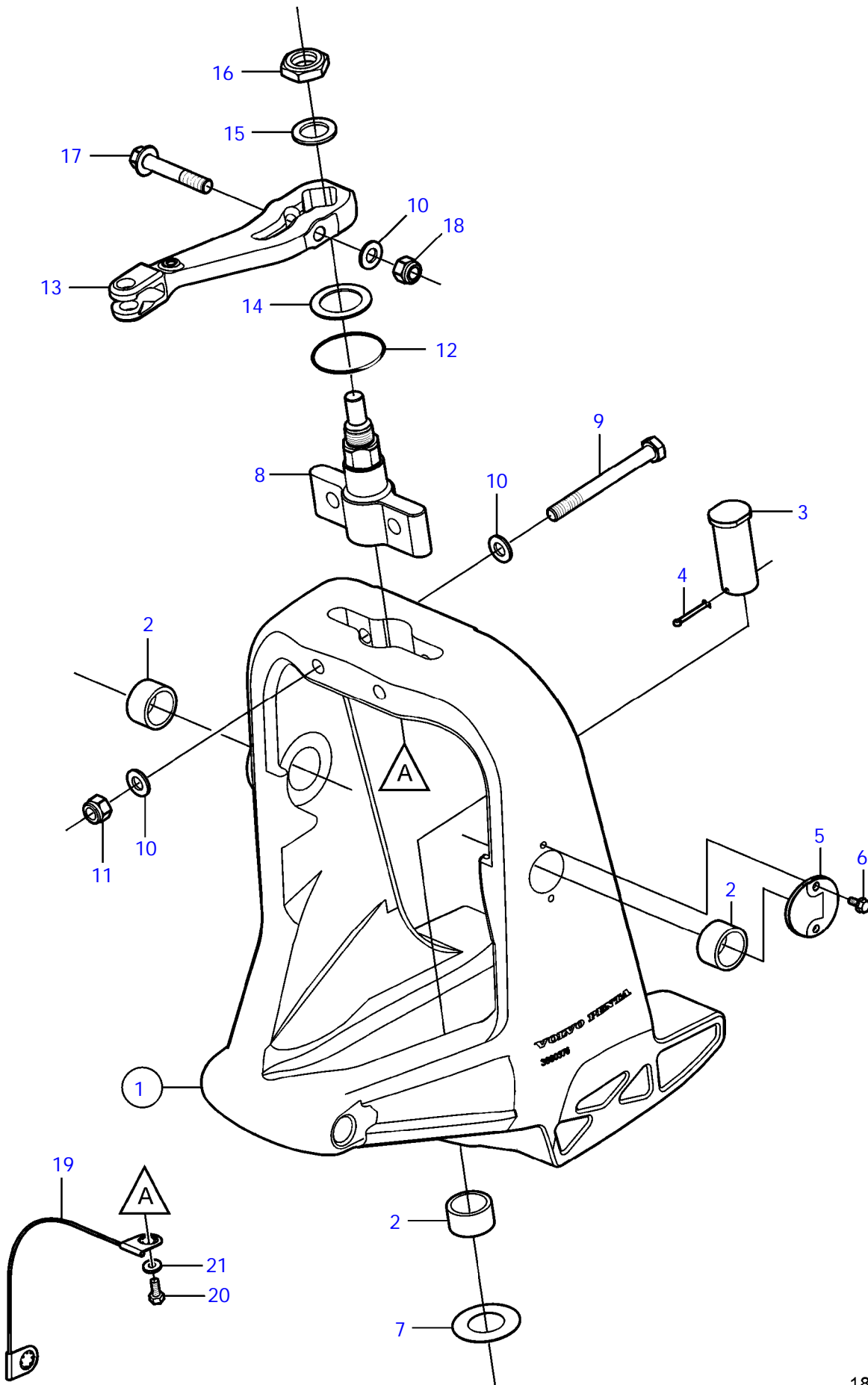


20815

XXP-A, XXP-ALT

REF	PART NO.	QTY	DESCRIPTION	SEE SEC.	NOTES
1	3862066	1	Shield		
			• Bulletin P-44-1-23	P-44-1-23-EN	XDP TSK Replacement
2	3860446	1	• Bearing		
3	3861840	6	• Stud		L=88mm
	3861841	2	• Stud		L=74mm
4	3860377	1	• Sealing		
5	3860984	1	• Sealing		
6	3856800	1	Hose, shift cable		
7	3852537	1	O-ring		
8	3862038	1	Tube		
9	982285	2	Flange screw		
10	3852556	1	Bushing		
11	3862289	1	Oil line	4601	
12	982713	1	• Clamp		
13	3862115	1	• Fitting		
14	942978	1	• • O-ring		
15	3852548	1	Sealing		
16	3860365	1	Rubber collar		
17	184860	1	Ball bearing		
18	3862067	1	Plate, bearing		
19	3861006	1	Snap ring		
20	3886847	1	Bellows kit		
21	853012	2	• Hose clamp		
22	3589500	1	Exhaust outlet		
23	982283	4	Flange screw		

X-B, X-BLT, XHP-B, XHP-BLT, XXP-D3



18921

Upd:2011-01-12

18921

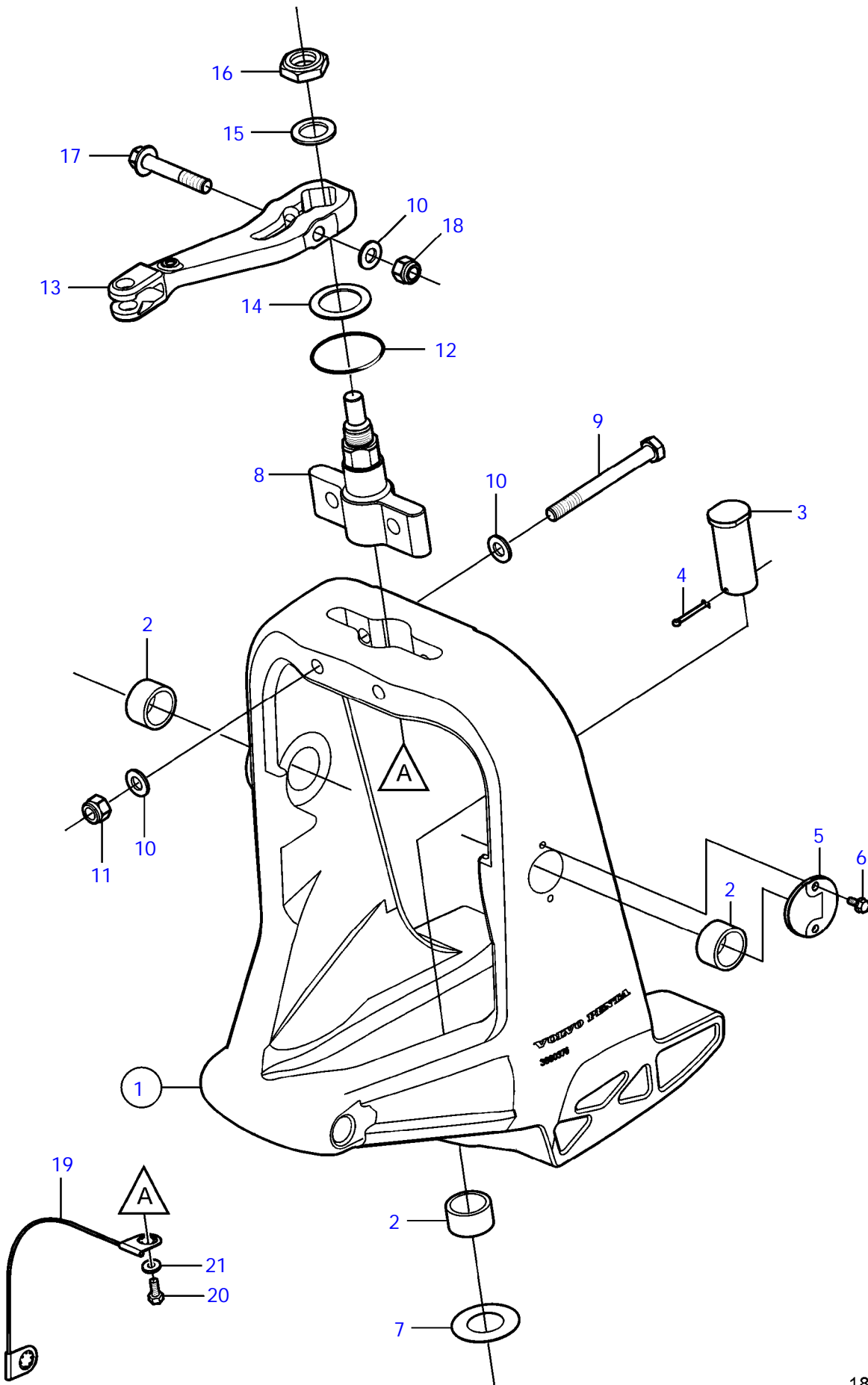
7744180-44-5453



X-B, X-BLT, XHP-B, XHP-BLT, XXP-D3

REF	PART NO.	QTY	DESCRIPTION
1	3860753	1	Housing
2	3808228	3	• Bearing bushing
3	3860380	1	Steering shaft
4	979874	1	Split pin
5	3862138	1	Cardboard tube
6	982283	2	Flange screw
7	3860430	2	Washer
8	3808557	1	Shaft
9	971032	2	Hexagon screw
10	980933	5	Washer
11	982531	2	Lock nut
12	941503	1	O-ring
13	3862125	1	Spindle arm
14	3860521	1	Washer
15	982328	1	Washer
16	983789	1	Lock nut
17	965187	1	Flange screw
18	971089	1	Lock nut
19	3861447	1	Ground cable
20	982523	1	Hexagon screw
21	982408	1	Washer

XXP-A, XXP-ALT



18921

Upd:2011-01-12

18921

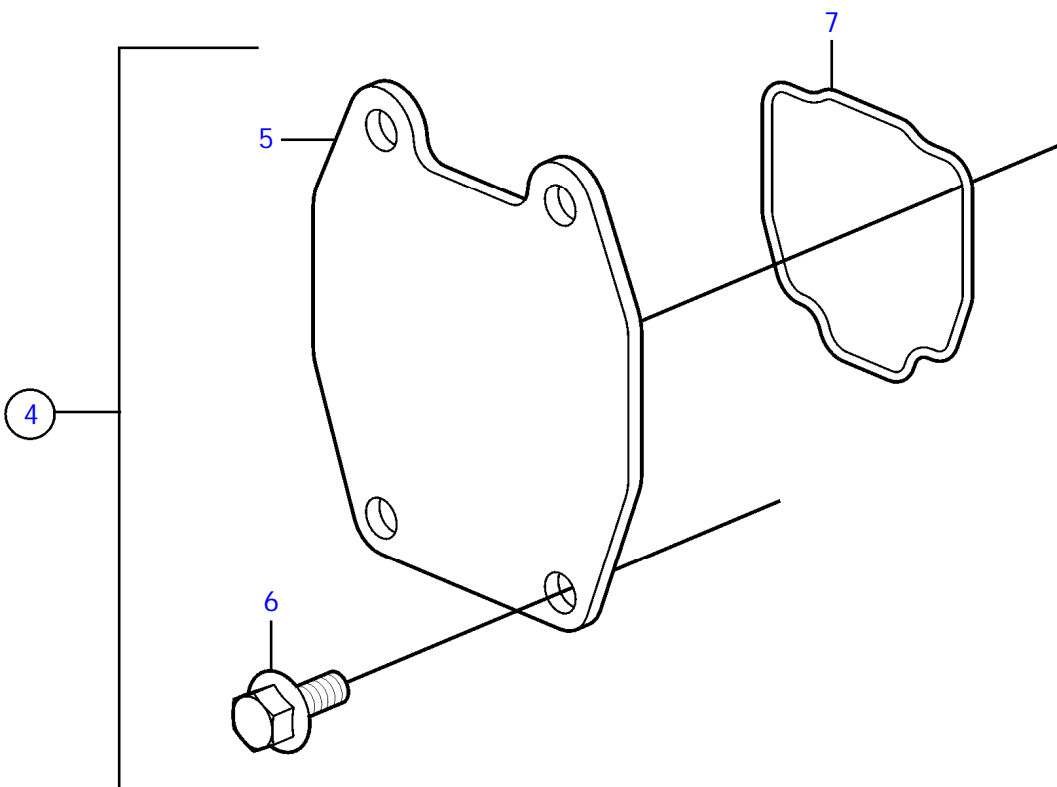
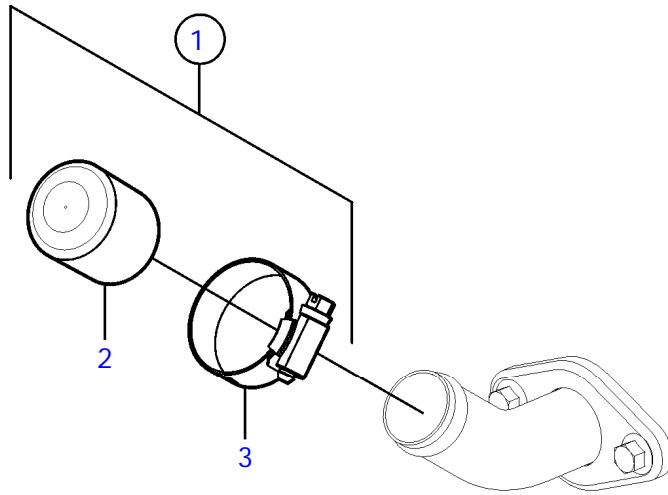
7744180-44-7567



XXP-A, XXP-ALT

REF	PART NO.	QTY	DESCRIPTION
1	3860753	1	Housing
2	3808228	3	• Bearing bushing
3	3860380	1	Steering shaft
4	979874	1	Split pin
5	3862138	1	Cardboard tube
6	982283	2	Flange screw
7	3860430	2	Washer
8	3808557	1	Shaft
9	971032	2	Hexagon screw
10	980933	5	Washer
11	982531	2	Lock nut
12	941503	1	O-ring
13	3862125	1	Spindle arm
14	3860521	1	Washer
15	982328	1	Washer
16	983789	1	Lock nut
17	965187	1	Flange screw
18	971089	1	Lock nut
19	3861447	1	Ground cable
20	982523	1	Hexagon screw
21	982408	1	Washer

X-B, X-BLT, XHP-B, XHP-BLT, XXP-A, XXP-ALT, XXP-D3

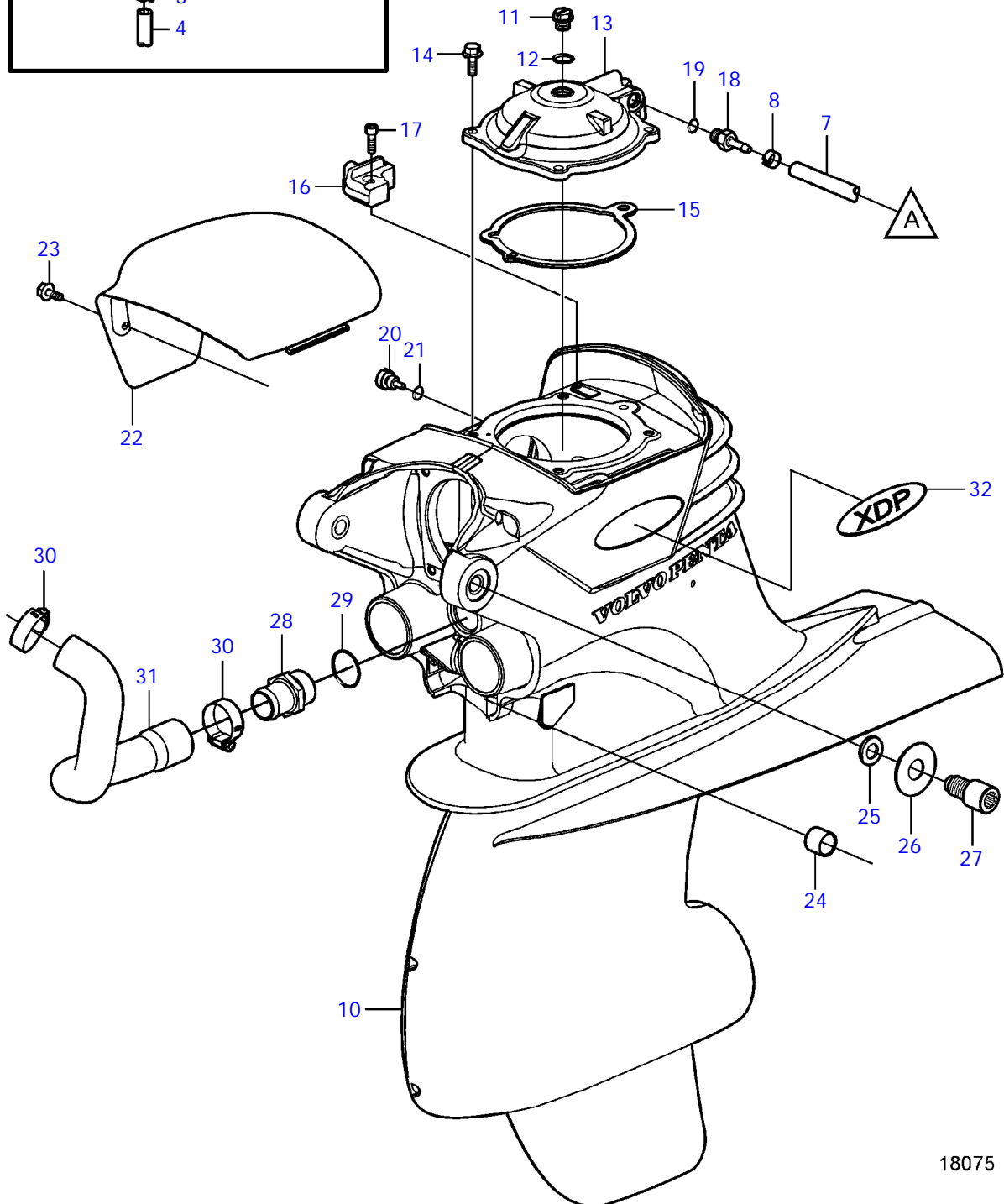
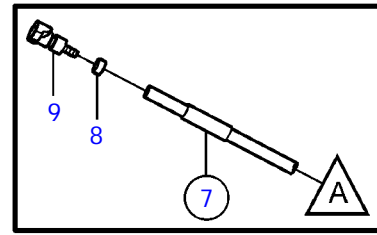
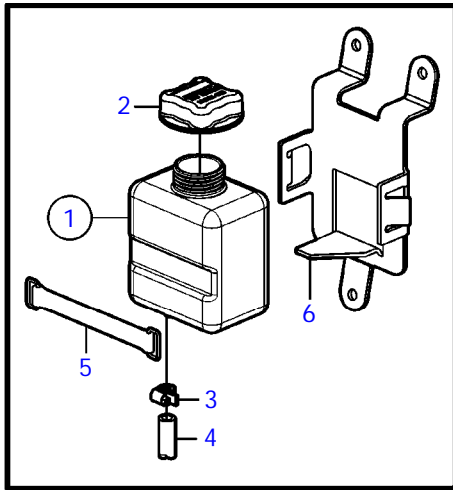


X-B, X-BLT, XHP-B, XHP-BLT, XXP-A, XXP-ALT, XXP-D3

REF	PART NO.	QTY	DESCRIPTION
1	3862566	1	Kit
2	3852476	1	• Cardboard tube
3	3852602	2	• Hose clamp
4	3862582	1	Kit
5		1	• Flange
6	946441	4	• Flange screw
7	3860984	1	Sealing



XDP-B

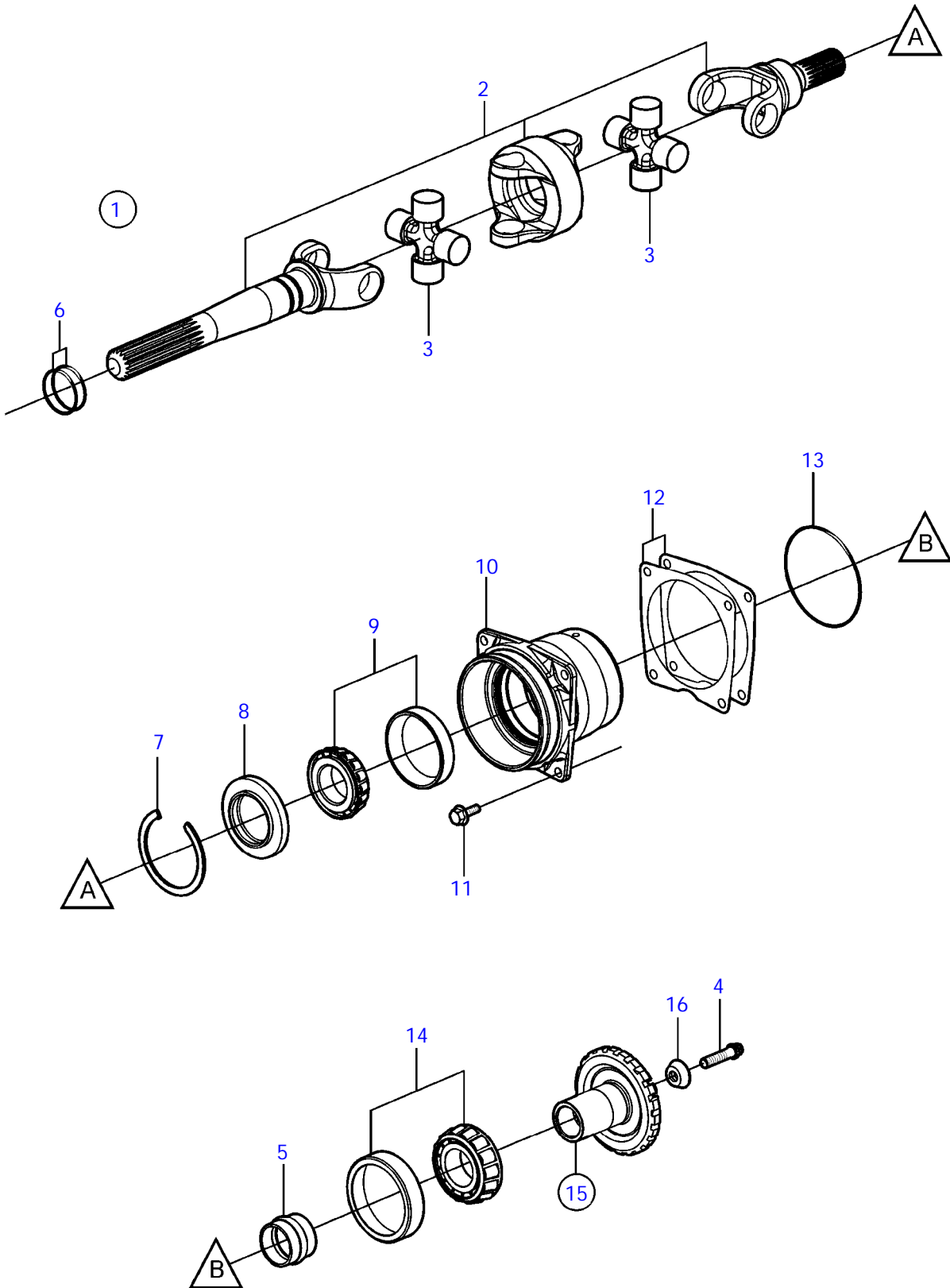


18075

XDP-B

REF	PART NO.	QTY	DESCRIPTION	SEE SEC.	NOTES
1	3862175	1	Reservoir		
2	3862109	1	• Cardboard tube		
3	3860413	1	Hose clamp		
4	3862289	1	Oil line	4595	
5	3862111	1	Strap		
6		1	Bracket		See catalog for engine., Mounted on engine
	3809535	1	Bracket		Mounted on transom
7	3862290	1	Oil line		
8	982713	2	• Clamp		
9	3862116	1	• Fitting		
10	3862077	1	Housing		
11	3861510	1	Plug		
12	3852045	1	O-ring		
13	3862106	1	Cover		
14	982285	4	Flange screw		
15	3862105	2	Gasket		
16	3861636	1	Anode		
	3861633	X	Magnesium anode		
17	963684	1	Hex. socket screw		
18	3862166	1	Fitting		
19	190187	1	O-ring		
20	3854539	1	Plug		
21	3855081	1	• O-ring		
22	3860414	1	Cover		
23	982283	2	Flange screw		
24	3862139	2	Bushing		
25	982328	2	Washer		
26	3860430	2	Washer		
27	3861797	2	Shoulder screw		
28	3862075	1	Fitting		
29	949974	1	O-ring		
30	3852602	2	Hose clamp		
31	3862068	1	Hose		
32	3861691	2	Decal		XDP

XDP-B

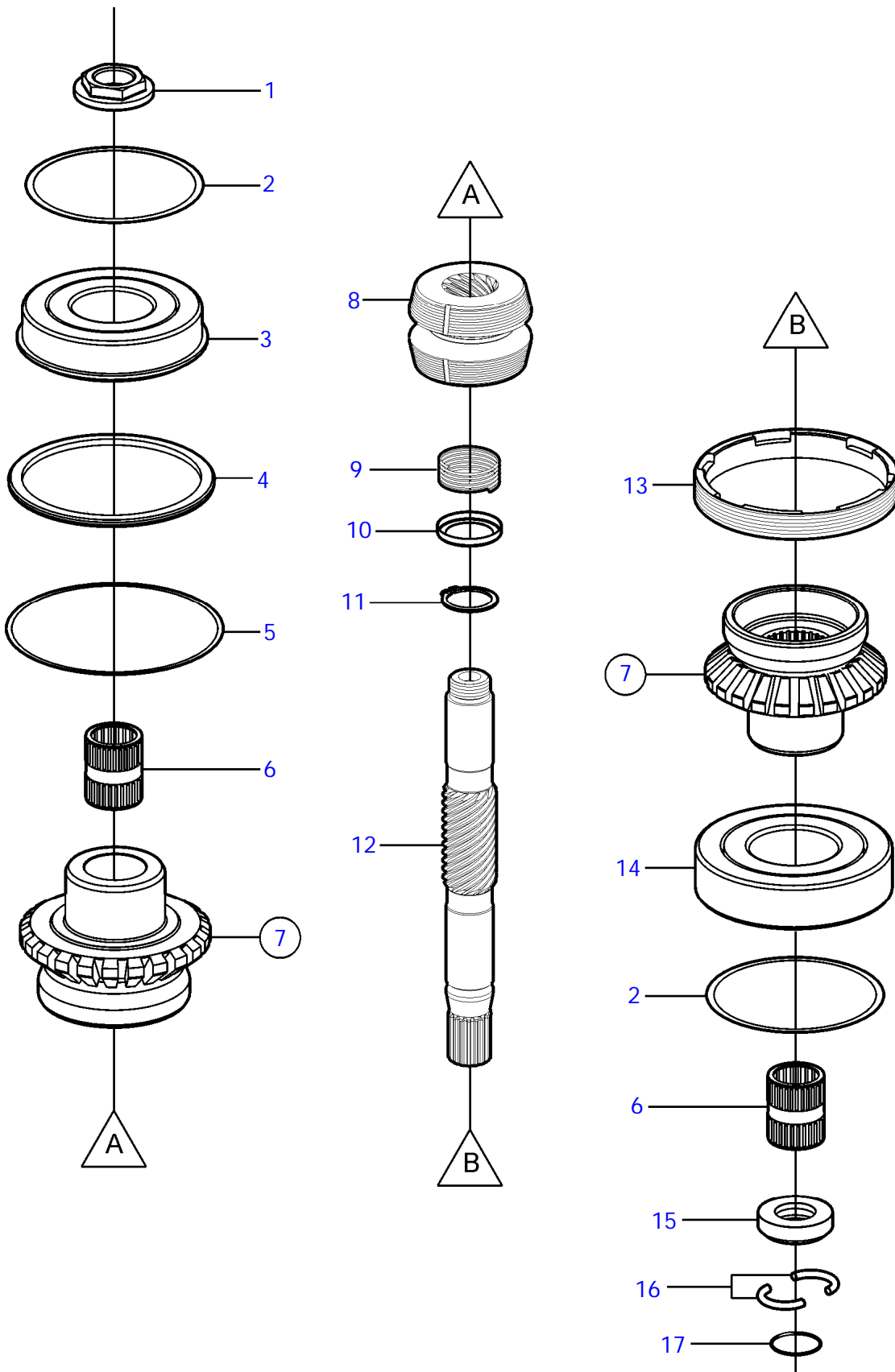


18098

XDP-B

REF	PART NO.	QTY	DESCRIPTION	SEE SEC.	NOTES
1	3860842	1	Kit		
			• Bulletin P-44-1-5	P-44-1-5-EN	U-joints
2		1	• Universal joint		Not serviced
3		2	• • Spider		Not serviced
4	3860364	1	• Screw		
5	3852304	1	• Sleeve		
6	3852565	2	O-ring		
7	914538	1	Snap ring		
8	3852272	1	Sealing		
9	3850853	1	Bearing		
10	3860191	1	Bearing carrier		
11	982285	4	Flange screw		
12	3860274	1	Shim		TH=0.08mm
	3860594	1	Shim		TH=0,10mm
	3860595	1	Shim		TH=0.13mm
	3860596	1	Shim		TH=0.25mm
13	925095	1	O-ring		
14	3850852	1	Bearing		
15	21130693	1	Kit	4596	2.32, 2.11
	21130692	1	Kit		1.96, 1.78
16	853026	1	Washer		

XDP-B



18070

Upd:2011-01-12

18070

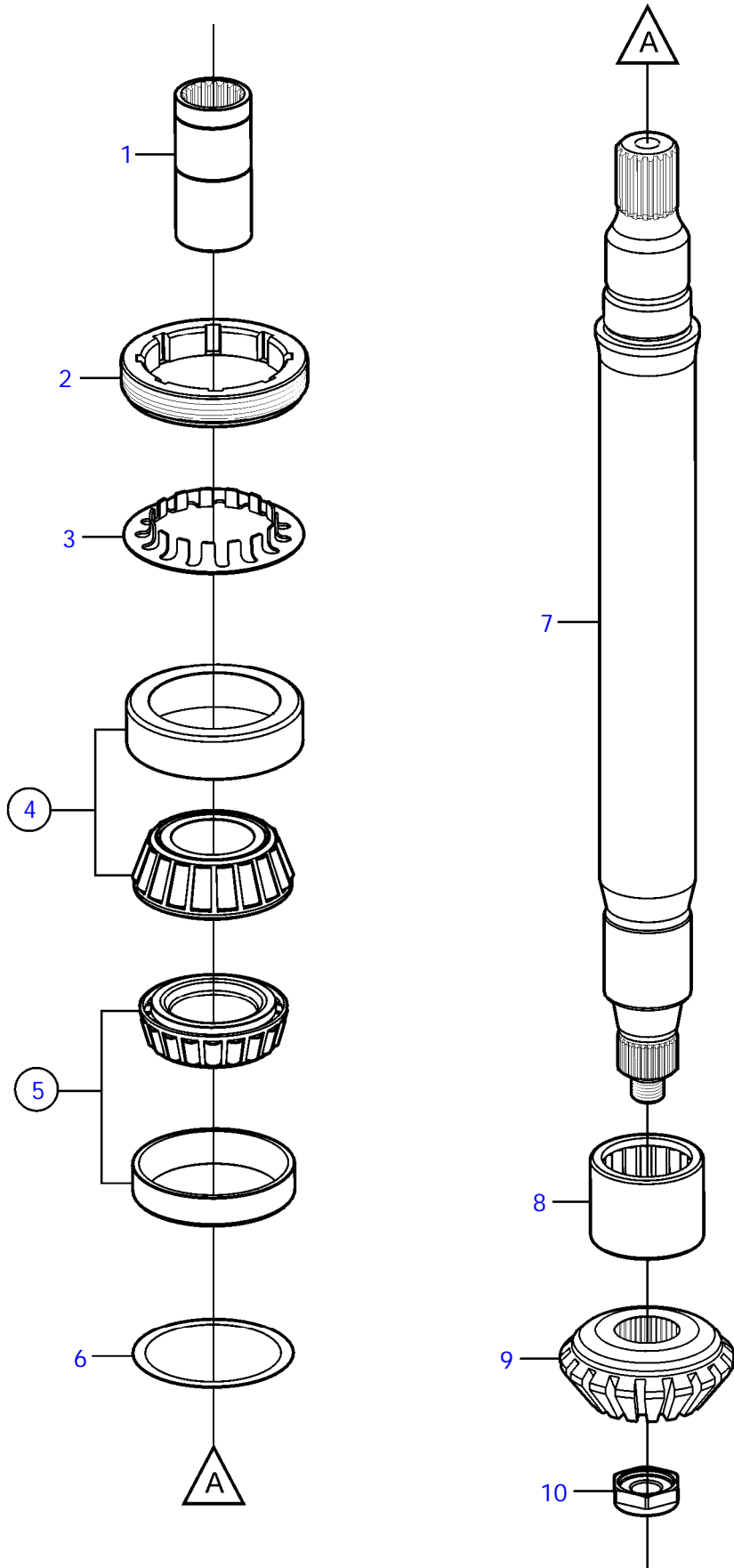
7744180-44-4596



XDP-B

REF	PART NO.	QTY	DESCRIPTION	SEE SEC.	NOTES
1	3852301	1	Nut		TH=0.00
	3852302	1	Nut		TH=0.20mm
	3852303	1	Nut		TH=0.40mm
	3852375	1	Nut		TH=0.60mm
2	3860615	1	Shim		TH=0.05mm
	3860616	1	Shim		TH=0.08mm
	3860617	1	Shim		TH=0.10mm
	3860618	1	Shim		TH=0.13mm
	3860619	1	Shim		TH=0.25mm
3	181013	1	Ball bearing		
4	3860203	1	Ring		
5	3860637	1	Shim		TH=0.05mm
	3860638	1	Shim		TH=0.08mm
	3860639	1	Shim		TH=0.10mm
	3860640	1	Shim		TH=0.13mm
	3860641	1	Shim		TH=0.25mm
6	3852390	2	Bearing		
7	21130693	1	Kit	4624	2.32, 2.11
	21130692	1	Kit		1.96, 1.78
8	3807613	1	• Sliding sleeve		
9	3852296	1	Spring		Not used on later versions.
10	3852298	1	Spacer		Not used on later versions.
11	951078	1	Snap ring		Not used on later versions.
12	3852292	1	Spindle		
13	3860106	1	Ring		
14	11028	1	Ball bearing		
15	3860273	1	Spacer ring		
16	3852295	1	Locking clip		
17	949656	1	O-ring		

XDP-B



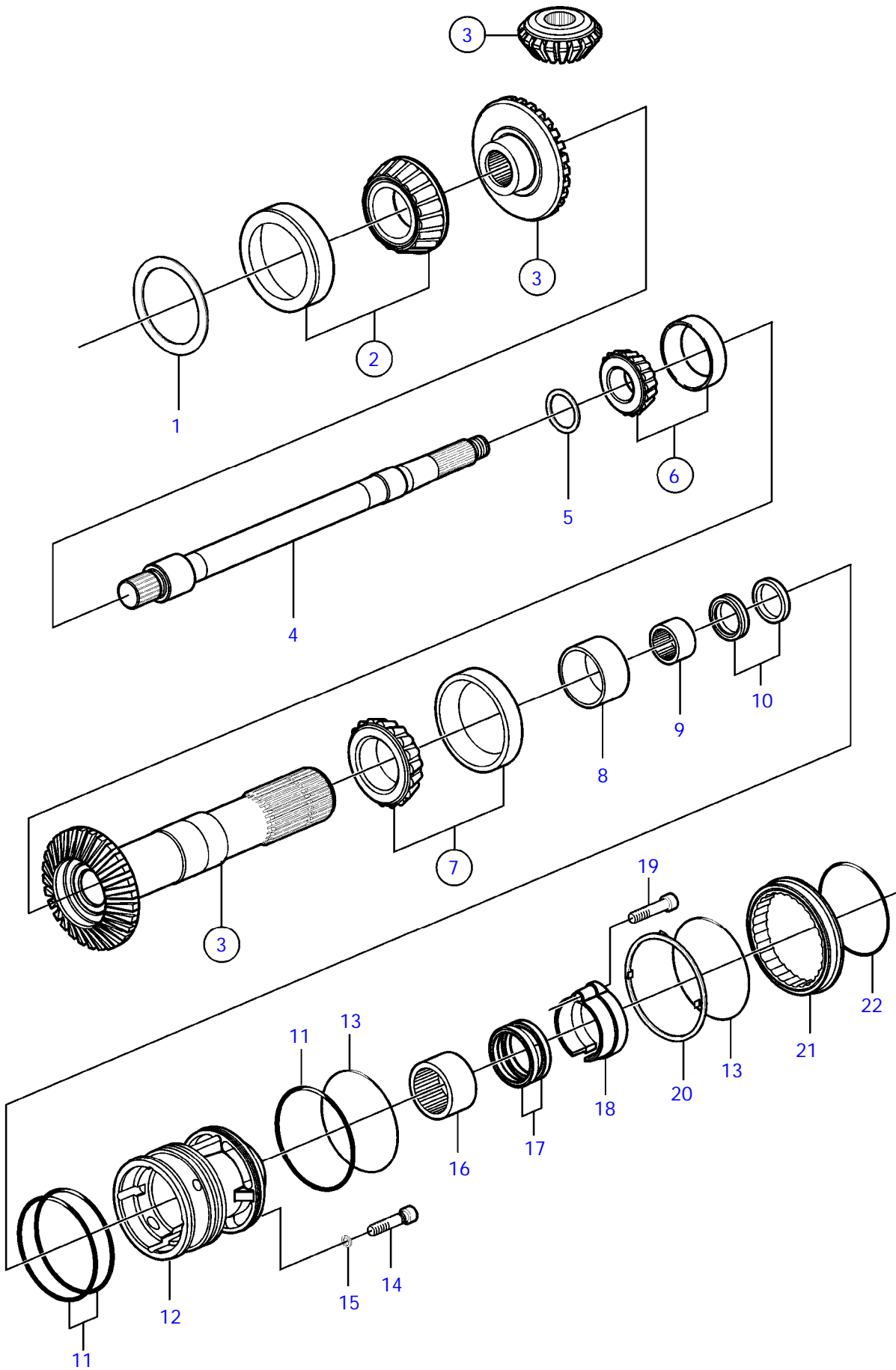
18071



XDP-B

REF	PART NO.	QTY	DESCRIPTION	SEE SEC.	NOTES
1	3862085	1	Splined sleeve		
2	3862098	1	Nut		
3	3862076	1	Retainer		
4	3854250	1	Roller bearing		
5	3854249	1	Roller bearing		
6	3852889	X	Shim		TH=0.003"
	3852890	X	Shim		TH=0.004"
	3852891	X	Shim		TH=0.005"
	3852892	X	Shim		TH=0.010"
7	3862084	1	Shaft		
8	3860107	1	Bearing		
9	3860904	1	Gear set	4598	2.32, 1.96
	3861861	1	Gear set		2.11:1, 1.78:1
10	852212	1	Nut		

XDP-B



18072

Upd:2011-01-12

18072

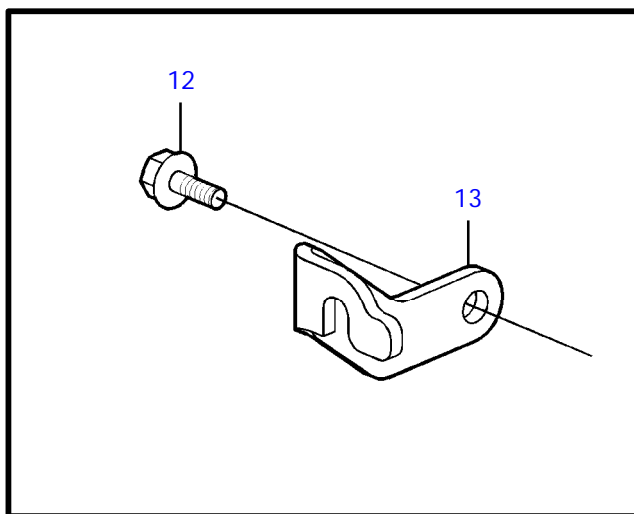
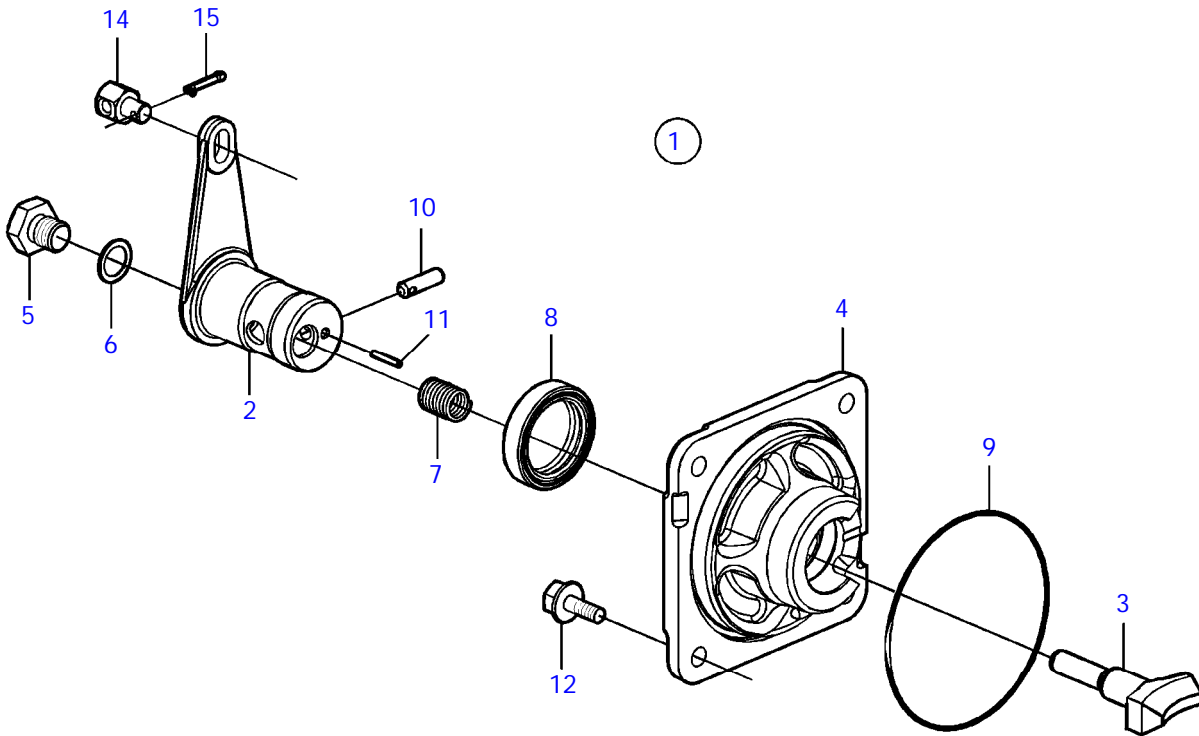
7744180-44-4598



XDP-B

REF	PART NO.	QTY	DESCRIPTION	SEE SEC.	NOTES
1	3860648	X	Shim		TH=0.05mm
	3860649	X	Shim		TH=0.076mm
	3860650	X	Shim		TH=0.127mm
	3860651	X	Shim		TH=0.254mm
	3860652	X	Shim		TH=0.381mm
2	3859037	1	Bearing		
3	3860904	1	Gear set	4597	2.32, 1.96
	3861861	1	Gear set		2.11:1, 1.78:1
4	3851205	1	Propeller shaft		
5	191834	X	Shim		TH=0,10mm
	191835	X	Shim		TH=0.15mm
	191837	X	Shim		TH=0.25mm
6	3859038	1	Bearing		
7	184765	1	Roller bearing		
8	184683	1	Inner ring		
9	183272	1	Needle roller bushin		
10	853871	1	Sealing ring		
11	942791	3	O-ring		
12	3862054	1	Housing		
13	946438	2	O-ring		
14	3851329	1	Screw		
15	955981	1	O-ring		
16	183859	1	Needle roller bushin		
17	851407	2	Sealing ring		
18	3861634	1	Anode		
	3861635	X	Magnesium anode		
19	963689	1	Hex. socket screw		
20	3860724	1	Retainer		
21	3860725	1	Thrust ring		
22	3852865	1	O-ring		

XDP-B

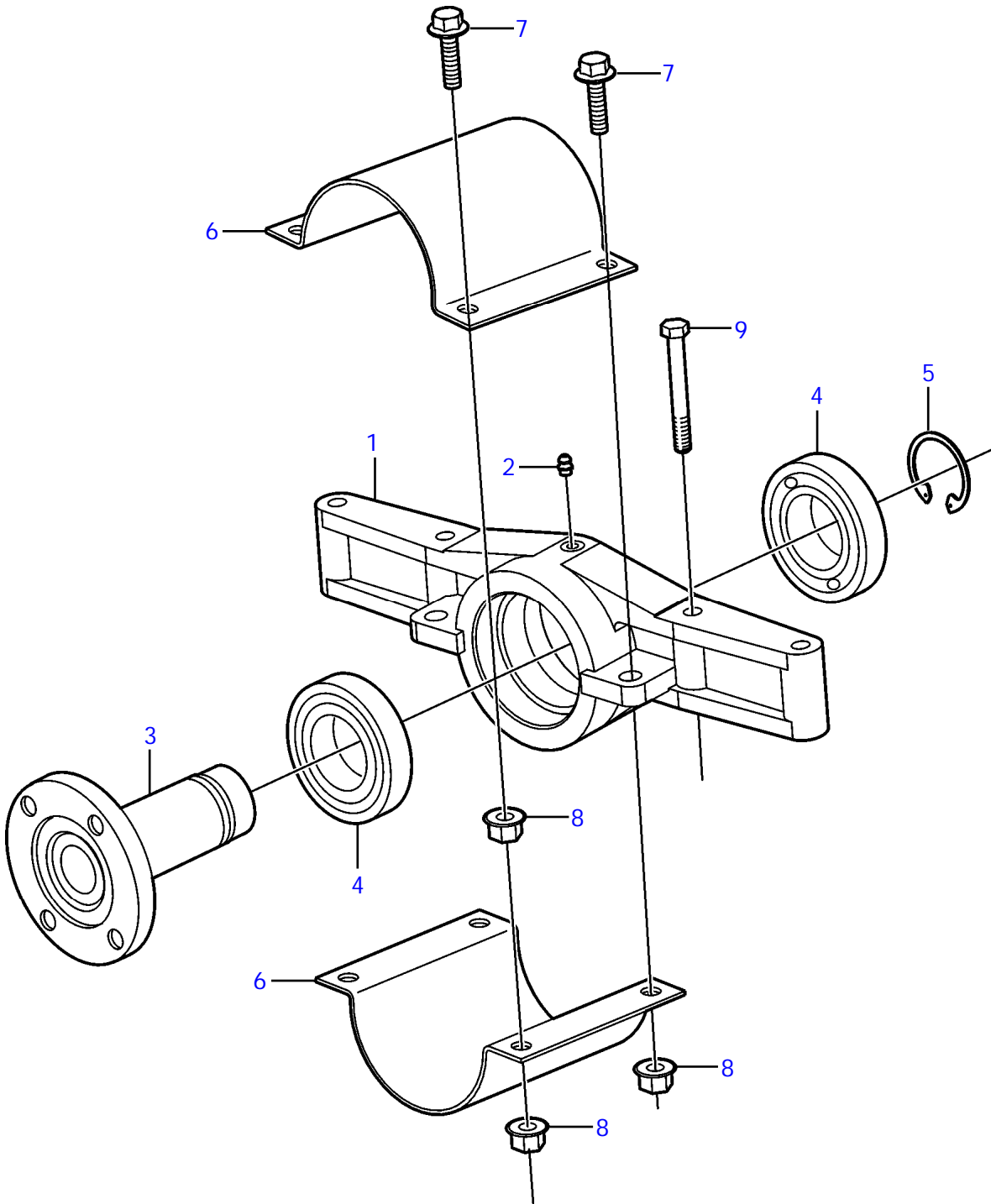


23694

XDP-B

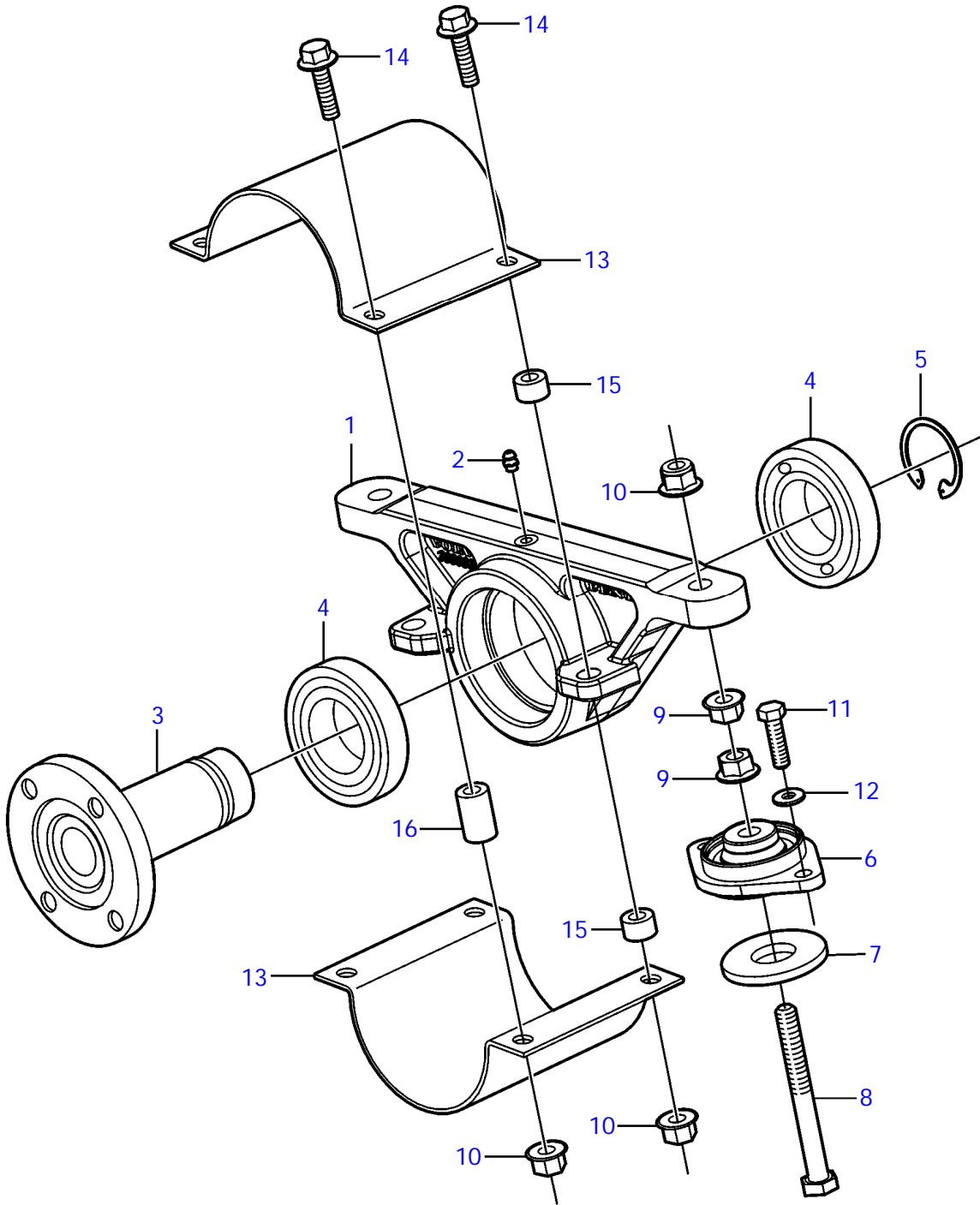
REF	PART NO.	QTY	DESCRIPTION	NOTES
1	3817326	1	Shift mechanism	
2		1	• Eccentric piston	
3	3856502	1	• Dog	
4	(3860218)	1	• Bearing housing	Obsolete part
5	3860220	1	• Screw	
6	3860221	X	• Shim	
7	814184	1	• Spring	
8	853868	1	• Sealing ring	
9	925093	1	• O-ring	
10	942871	1	• Clevis pin	
11	973593	1	• Spring pin	
12	982283	5	Flange screw	
13	3860275	1	Retainer	
14	3852329	1	Cube	
15	3854480	1	Split pin	

X-B, X-BLT, XHP-B, XHP-BLT, XXP-A, XXP-ALT, XXP-D3



19628

X-B, X-BLT, XHP-B, XHP-BLT, XXP-A, XXP-ALT, XXP-D3

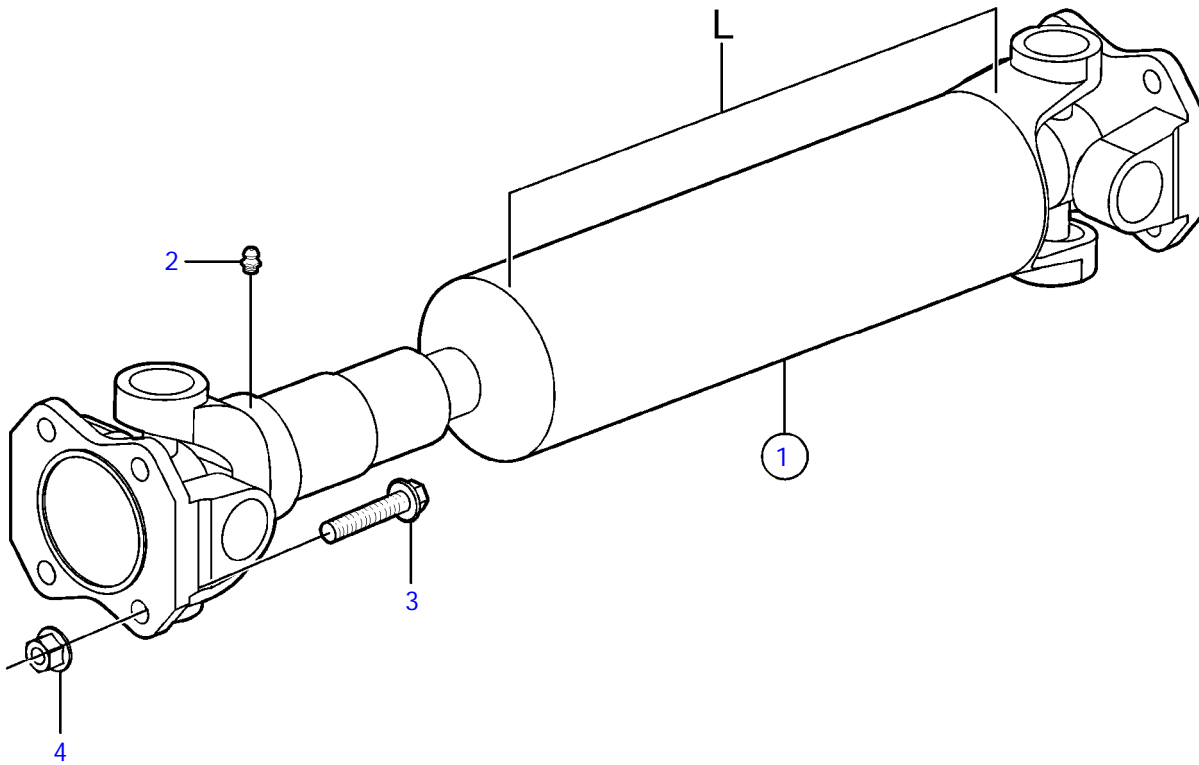


19629

X-B, X-BLT, XHP-B, XHP-BLT, XXP-A, XXP-ALT, XXP-D3

REF	PART NO.	QTY	DESCRIPTION	NOTES
1	3860837	1	Bearing housing	
2	3852121	1	Fitting	
3	3862697	1	Shaft	
4	184867	2	Bearing	
5	914470	1	Snap ring	
6	3853806	2	Rubber cushion	
7	3852542	2	Washer	
8	980362	2	Hexagon screw	
9	971096	4	Flange nut	
10	977938	6	Flange lock nut	
11	959968	4	Hexagon screw	
12	(3852155)	4	Washer	Obsolete part
13	3817552	2	Cover	
14	948039	4	Flange screw	
15	983740	4	Spacer sleeve	
16	983741	2	Spacer sleeve	

X-B, X-BLT, XHP-B, XHP-BLT, XXP-A, XXP-ALT, XXP-D3



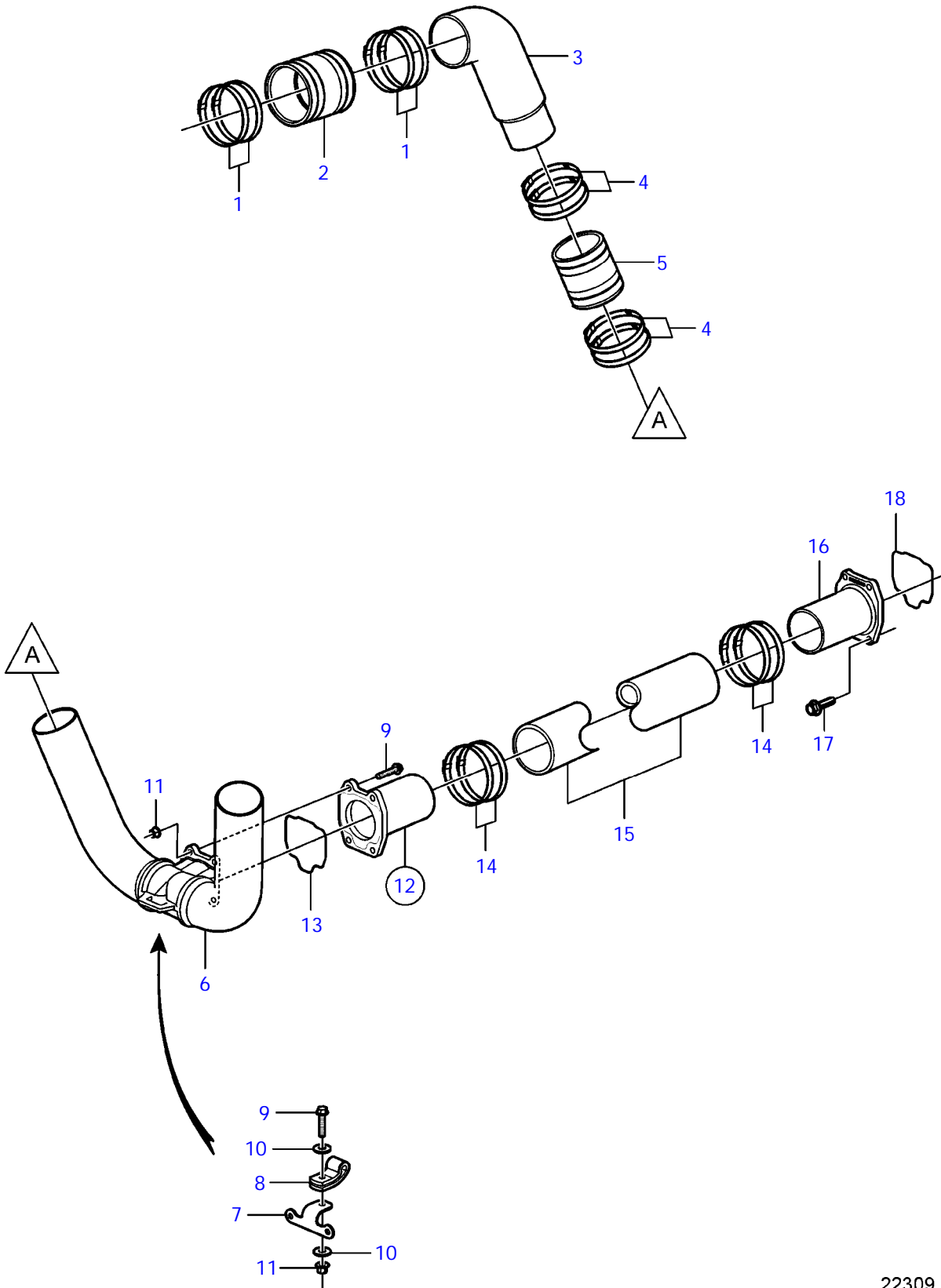
20839

X-B, X-BLT, XHP-B, XHP-BLT, XXP-A, XXP-ALT, XXP-D3

REF	PART NO.	QTY	DESCRIPTION	NOTES
1		1	Jack shaft	Part not sold
2	3852121	1	• Fitting	
3	965185	8	Flange screw	
4	971098	8	Flange lock nut	



XHP-B, XHP-BLT

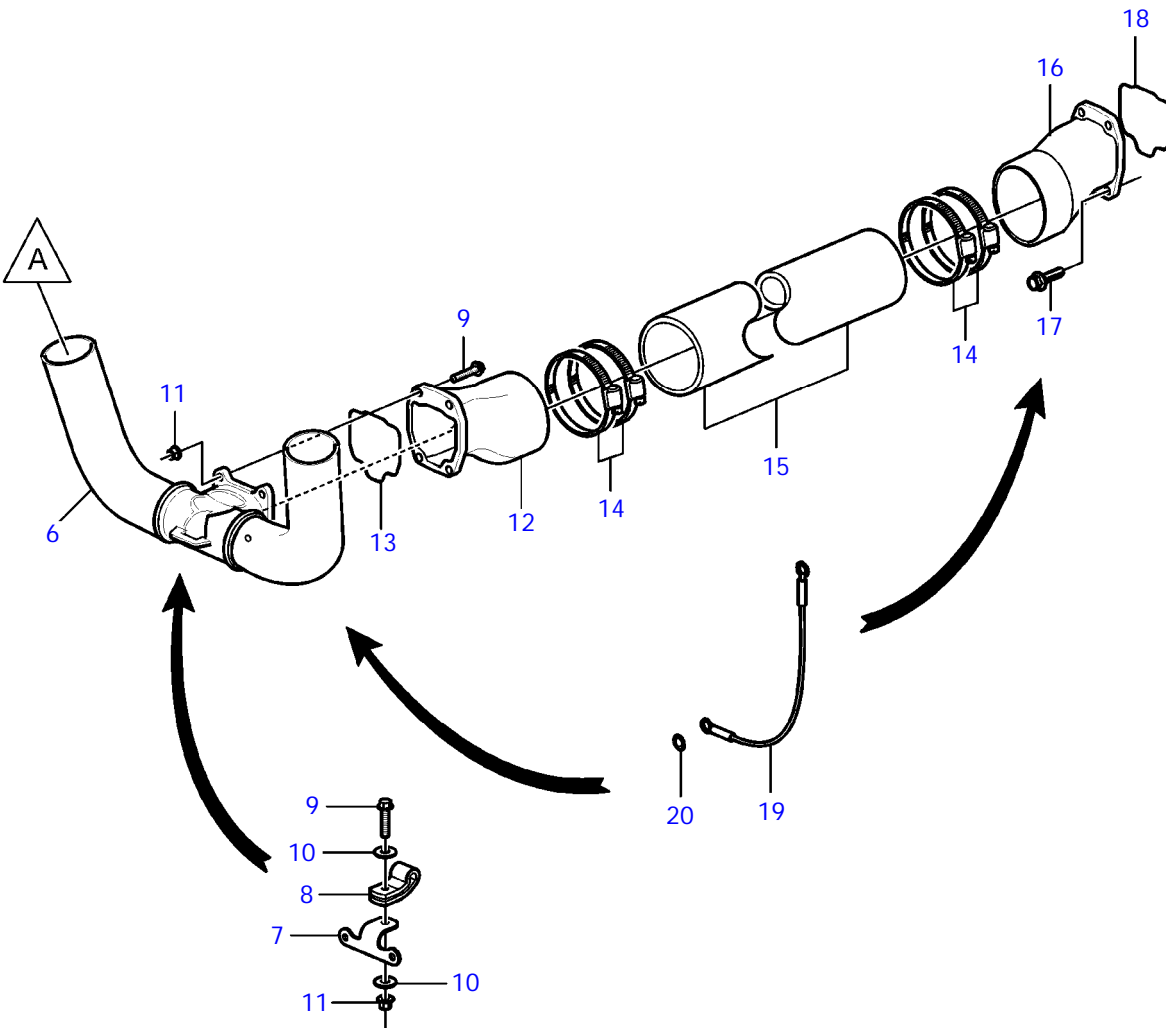
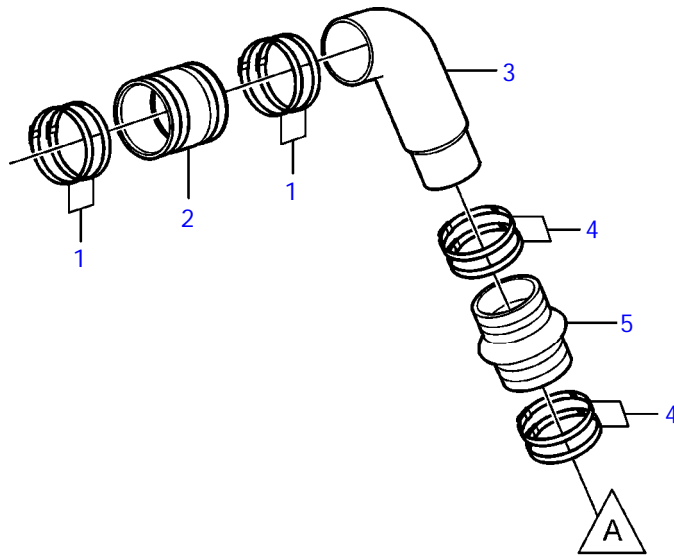


22309

XHP-B, XHP-BLT

REF	PART NO.	QTY	DESCRIPTION	NOTES
1	3863443	8	Hose clamp	
2	3852696	1	Hose	
3	3863189	2	Elbow	
4	3863442	8	Hose clamp	
5	3852742	2	Hose	
6	3860821	1	Exhaust pipe	
7	(3862519)	1	Bracket	Obsolete part
8	(3862518)	1	Strap	Obsolete part
9	965220	5	Flange screw	
10	944633	2	Washer	
11	971098	5	Flange lock nut	
12	3862895	1	Tube	
13	3587651	1	• Kit	
14	853012	4	Hose clamp	
15	3862564	1	Hose, exhaust	Cut to length
16	3862506	1	Exhaust pipe flange	
17	3841928	4	Flange screw	3/8" UNC
	946752	4	Flange screw	M10
18	3587651	1	Kit	

XHP-B, XHP-BLT, XXP-A, XXP-ALT



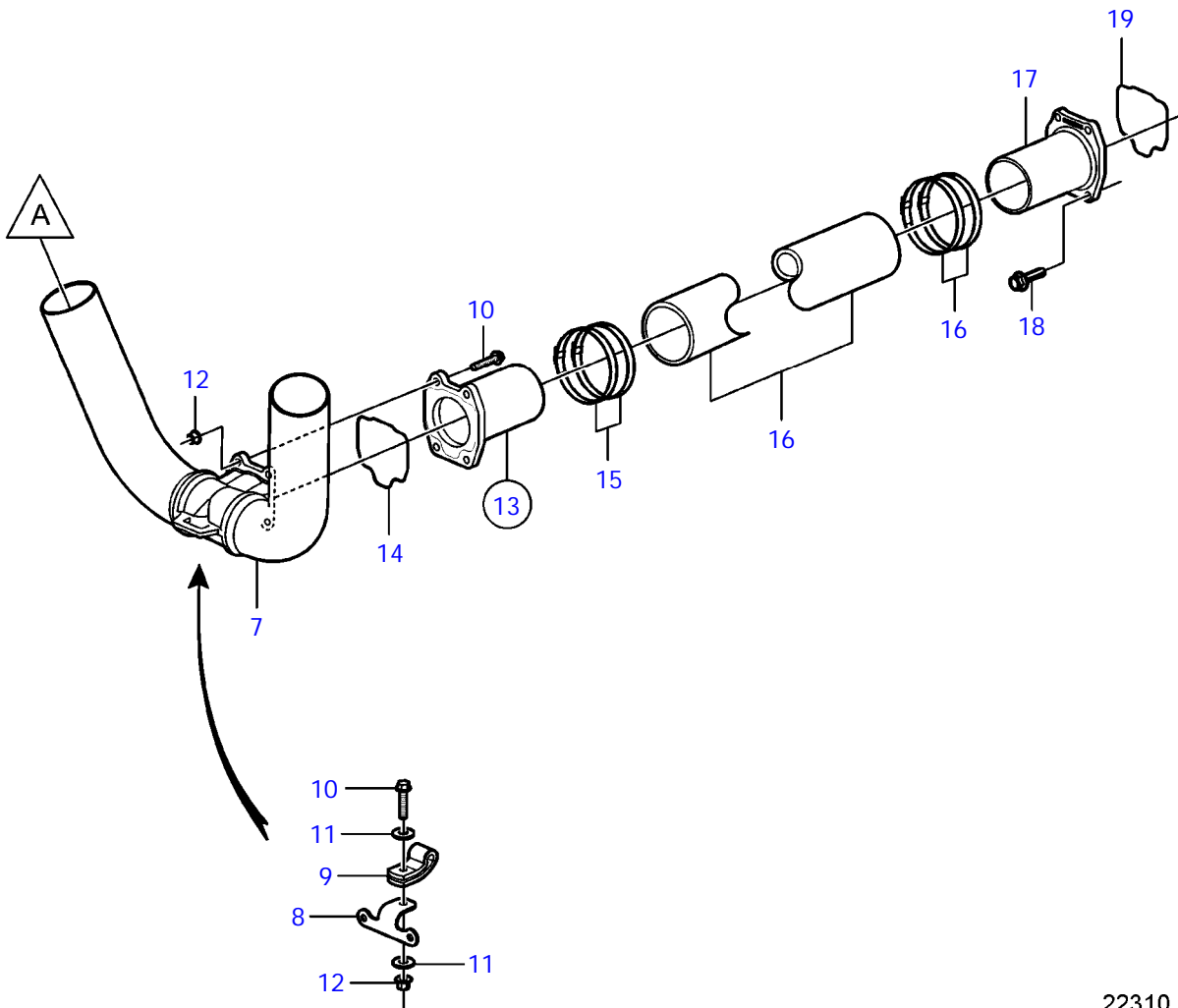
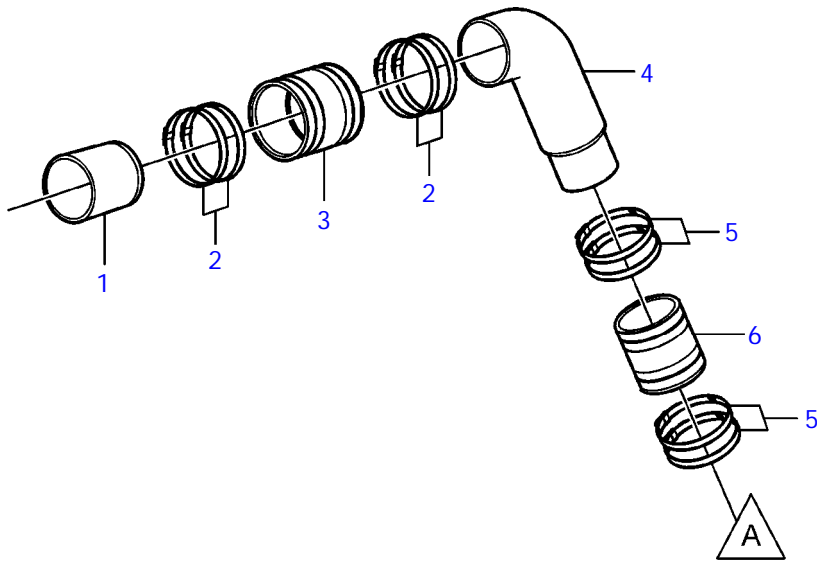
24226



XHP-B, XHP-BLT, XXP-A, XXP-ALT

REF	PART NO.	QTY	DESCRIPTION	NOTES
1	3863443	8	Hose clamp	
2	3852696	1	Hose	
3	3863189	2	Elbow	
4	3863442	8	Hose clamp	
5	3863450	2	Bellows	
6	3860821	1	Exhaust pipe	
7	(3862519)	1	Bracket	Obsolete part
8	(3862518)	1	Strap	Obsolete part
9	965220	5	Flange screw	
10	944633	2	Washer	
11	971098	5	Flange lock nut	
12	3818716	1	Exhaust collector	
13	3860984	1	Sealing	
14	3843170	4	Hose clamp	
15		1	Hose, exhaust	Cut to length
16	3818699	1	Exhaust collector	
17	3841928	4	Flange screw	
18	3860984	1	Sealing	
19	3853927	2	Chassie ground cable	
20	(3852070)	2	Washer	Obsolete part

XXP-A, XXP-ALT

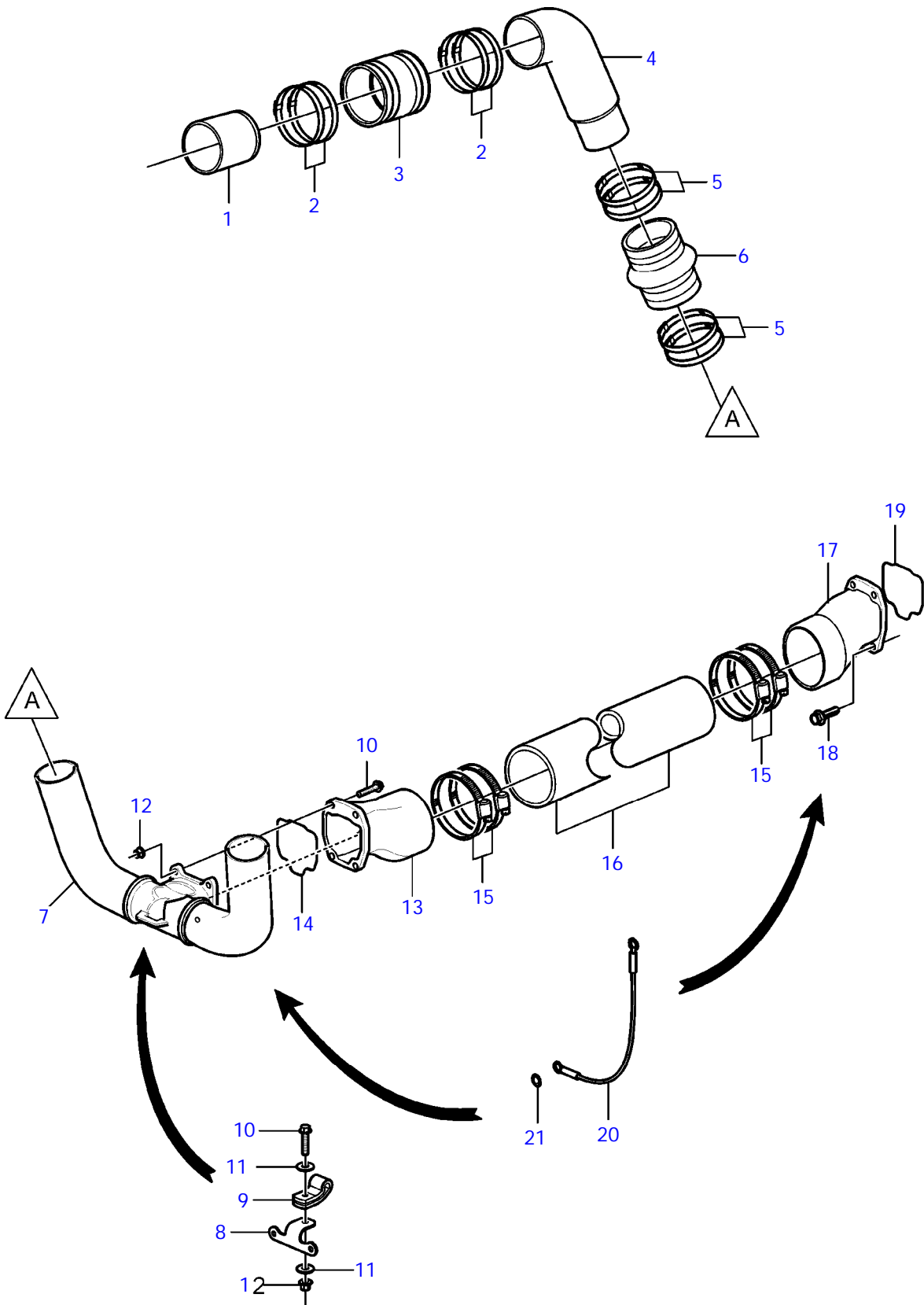


22310

XXP-A, XXP-ALT

REF	PART NO.	QTY	DESCRIPTION	NOTES
1	3862841	2	Pipe	
2	3863443	8	Hose clamp	
3	3852696	1	Hose	
4	3863189	2	Elbow	
5	3863442	8	Hose clamp	
6	3863450	2	Bellows	
7	3860821	1	Exhaust pipe	
8	(3862519)	1	Bracket	Obsolete part
9	(3862518)	1	Strap	Obsolete part
10	965220	5	Flange screw	
11	944633	2	Washer	
12	971098	5	Flange lock nut	
13	3862895	1	Tube	
14	3587651	1	• Kit	
15	853012	4	Hose clamp	
16	3862564	1	Hose, exhaust	Cut to length
17	3862506	1	Exhaust pipe flange	
18	3841928	4	Flange screw	3/8" UNC
	946752	4	Flange screw	M10
19	3587651	1	Kit	

XHP-B, XHP-BLT, XXP-A, XXP-ALT

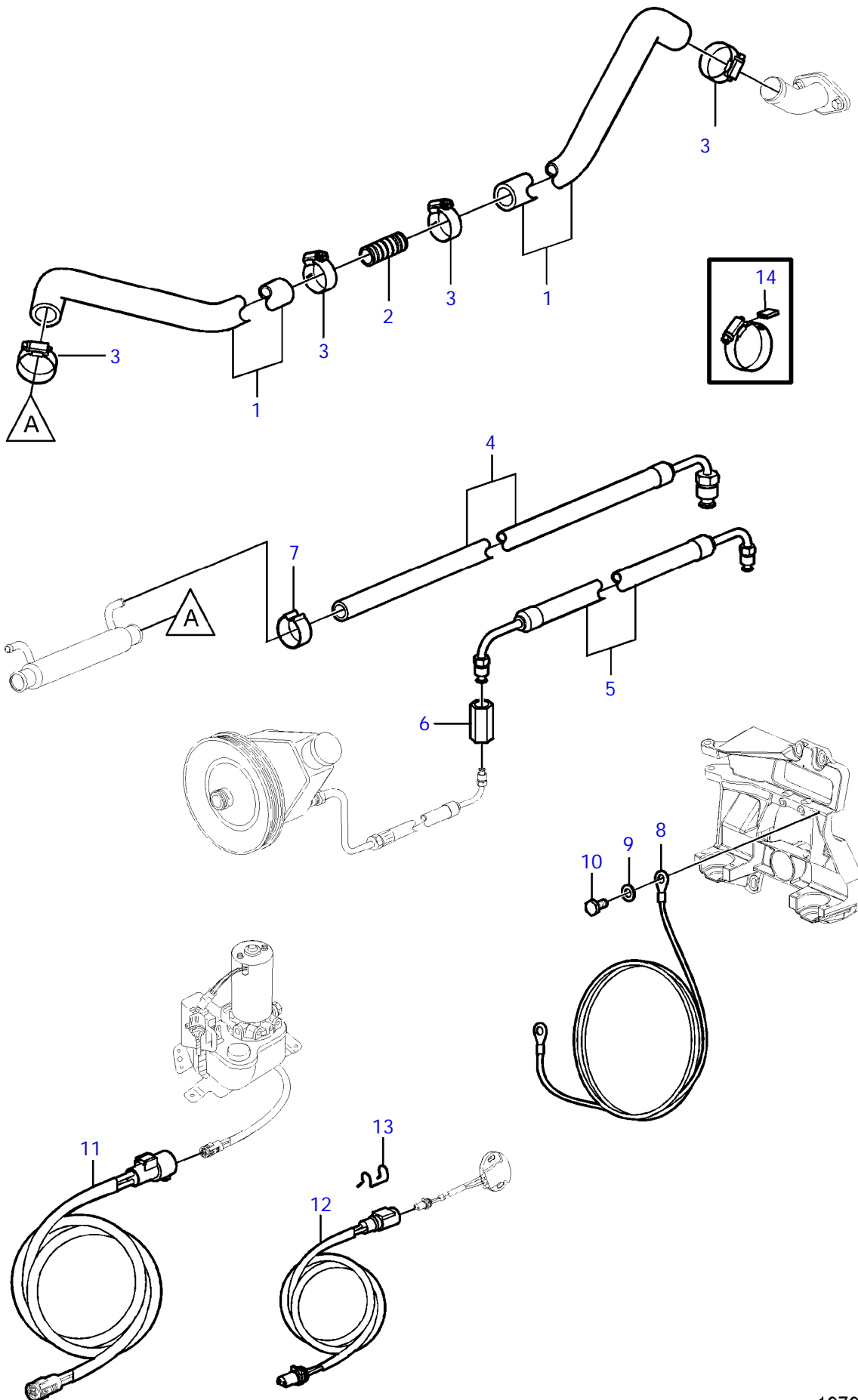


24228

XHP-B, XHP-BLT, XXP-A, XXP-ALT

REF	PART NO.	QTY	DESCRIPTION	NOTES
1	3862841	2	Pipe	
2	3863443	8	Hose clamp	
3	3852696	1	Hose	
4	3863189	2	Elbow	5.0L, 5.7L
	3847731	2	Exhaust pipe	8.1L
5	3863442	8	Hose clamp	
6	3863450	2	Bellows	
7	3860821	1	Exhaust pipe	
8	(3862519)	1	Bracket	Obsolete part
9	(3862518)	1	Strap	Obsolete part
10	965220	5	Flange screw	
11	944633	2	Washer	
12	971098	5	Flange lock nut	
13	3818716	1	Exhaust collector	
14	3860984	1	Sealing	
15	3843170	4	Hose clamp	
16		1	Hose, exhaust	Cut to length
17	3818699	1	Exhaust collector	
18	3841928	4	Flange screw	
19	3860984	1	Sealing	
20	3853927	2	Chassie ground cable	
21	(3852070)	2	Washer	Obsolete part

X-B, X-BLT, XHP-B, XHP-BLT, XXP-A, XXP-ALT, XXP-D3



19790

Upd:2011-01-12

19790

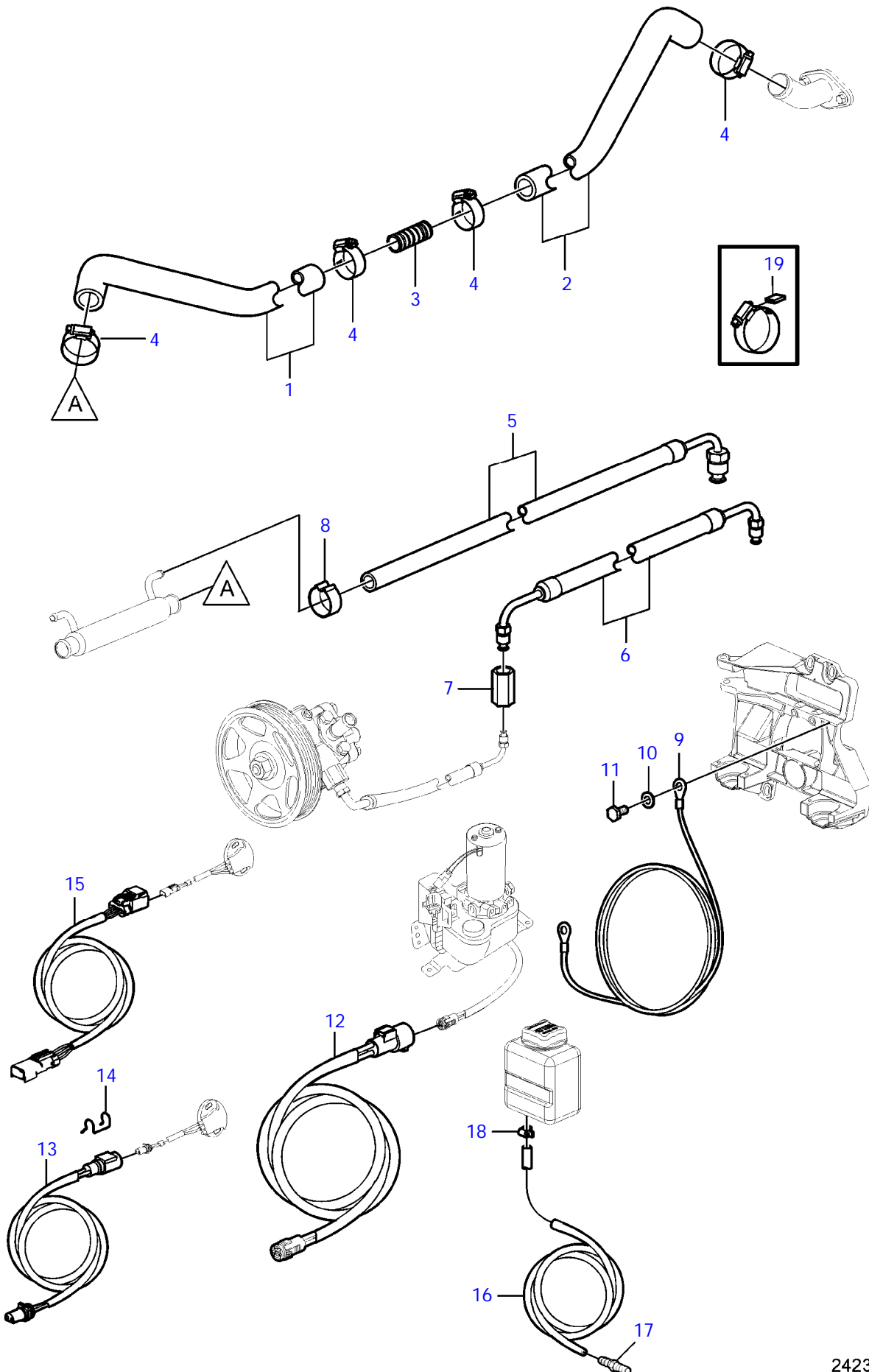
7744180-44-6426



X-B, X-BLT, XHP-B, XHP-BLT, XXP-A, XXP-ALT, XXP-D3

REF	PART NO.	QTY	DESCRIPTION	NOTES
1	3860824	2	Hose	Cut to length
2	3851594	1	Connection pipe	
3	3852602	4	Hose clamp	
4	3860830	1	Hose, return	
5	3860831	1	Hose, pressure	
6	3862511	1	Fitting	
7	982663	1	Hose clamp	
8	(3862894)	1	Cable, ground	L=3050mm, Obsolete part
9	3852193	1	Washer	
10	3852050	1	Screw	
11	3860838	1	Extension cable'verl	Trim pump
12	3860839	1	Extension cable'verl	Trim sender
13	(3852237)	2	Retainer	Obsolete part
14	3858532	X	Cover, clamp	

X-B, X-BLT, XHP-B, XHP-BLT, XXP-A, XXP-ALT

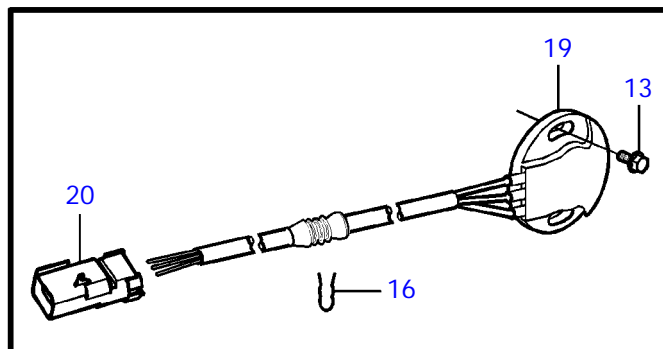
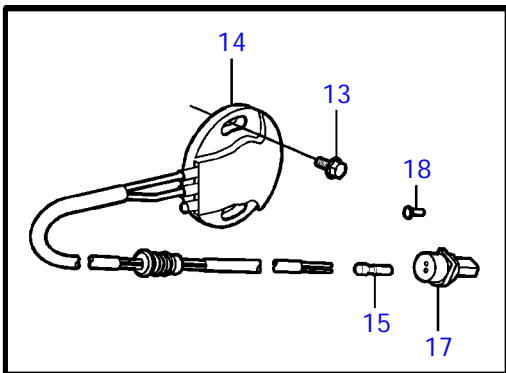
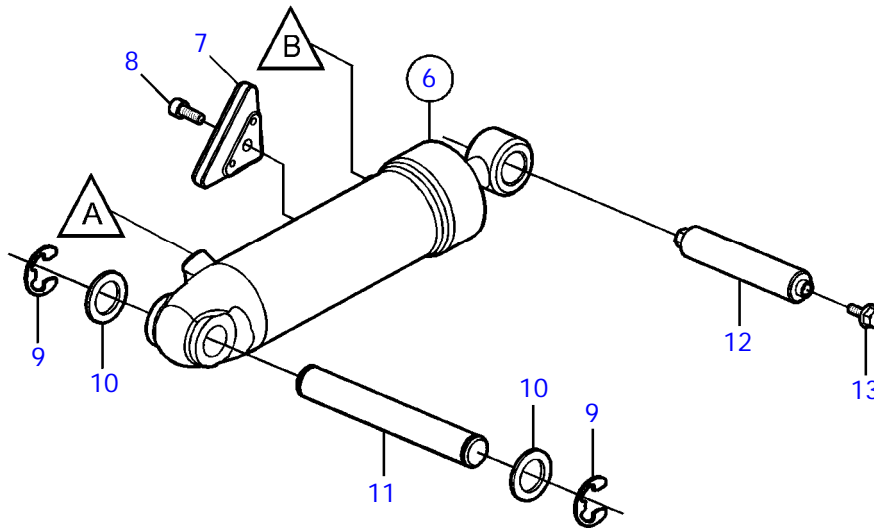
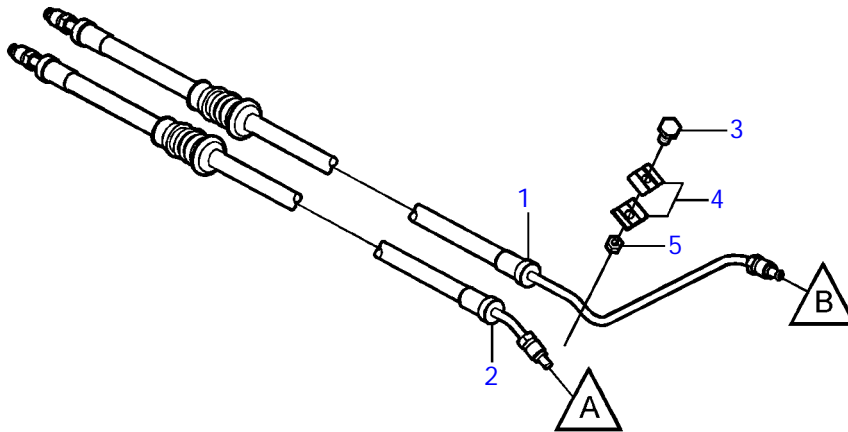


24230

X-B, X-BLT, XHP-B, XHP-BLT, XXP-A, XXP-ALT

REF	PART NO.	QTY	DESCRIPTION	NOTES
1	3860824	1	Hose	Cut to length
2	3843007	1	Hose	Cut to length
3	3851594	1	Connection pipe	
4	3852602	4	Hose clamp	
5	3860830	1	Hose, return	
6	3860831	1	Hose, pressure	
7	984378	1	Nipple	
8	982663	1	Hose clamp	
9	(3862894)	1	Cable, ground	Obsolete part, L=3050mm
10	3852193	1	Washer	
11	3852050	1	Screw	
12	3842400	1	Wiring harness	Trim pump
13	3860839	1	Extension cable'verl	Trim sender, molded connector
14	(3852237)	1	Retainer	Obsolete part
15	3886946	1	Wiring harness	Trim sender, FCI connector
16	3858532	X	Cover, clamp	
17		1	Hose	Cut to length
18		2	Nipple	
19	3858532	X	Cover	W=0.465" (11.8mm)
	3861999	X	Cover	W=0.300" (7.6mm)

X-B, XHP-B, XXP-A, XXP-D3

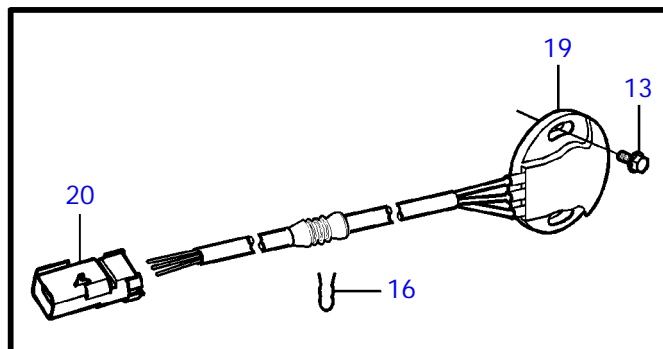
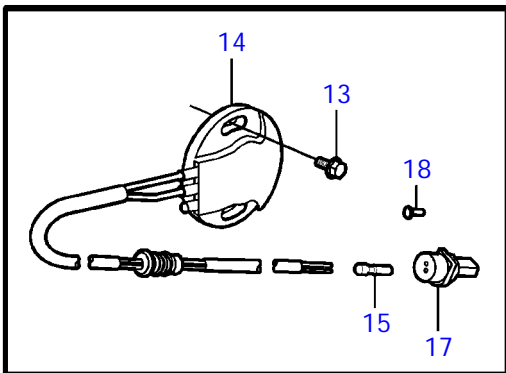
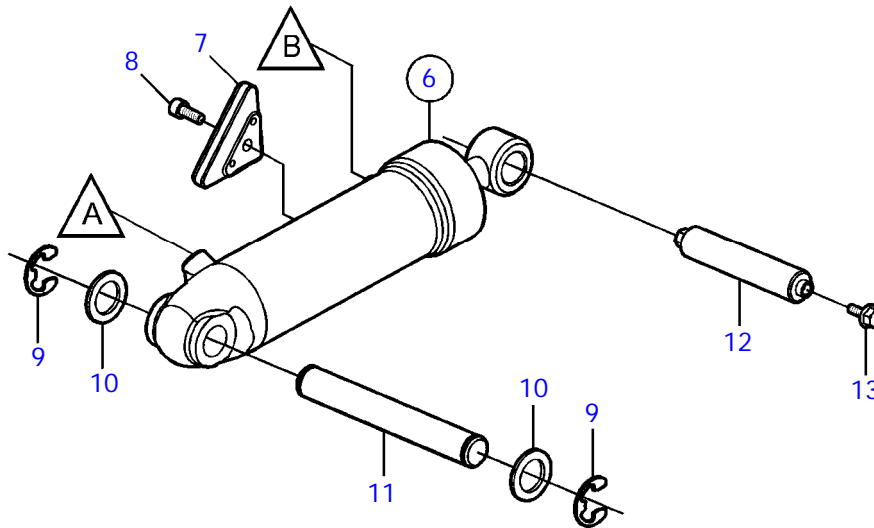
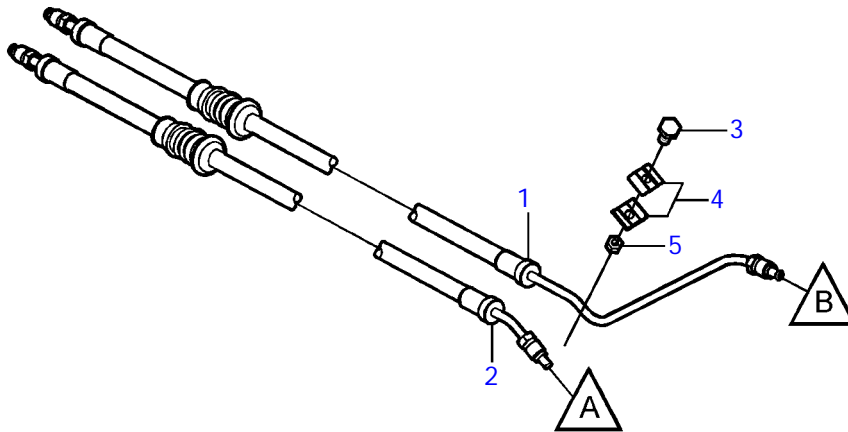


18081

X-B, XHP-B, XXP-A, XXP-D3

REF	PART NO.	QTY	DESCRIPTION	NOTES
1	3860374	1	Hydraulic hose	
2	3860373	1	Hydraulic hose	
3	963545	1	Hexagon screw	
4	854628	2	Clamp	
5	944456	1	Hexagon nut	
6	3843513	1	Trimming cylinder	
7	3861583	1	• Anode kit	
8	963683	1	• • Hex. socket screw	
9	3857521	2	E-circlip	
10	982328	2	Washer	
11	3860379	1	Pin	
12	3860378	1	Pin	
13	982283	3	Flange screw	
14	3861169	1	Sensor	Molded connector
15	(3852257)	2	• Terminal	Obsolete part
16	3852555	1	Retainer	
17	3852239	1	Pin connector	
18	(3852230)	1	Plug	Obsolete part
19	3840832	1	Sensor	FCI connector
20	3884945	1	Cable connection	

X-BLT, XHP-BLT, XXP-ALT

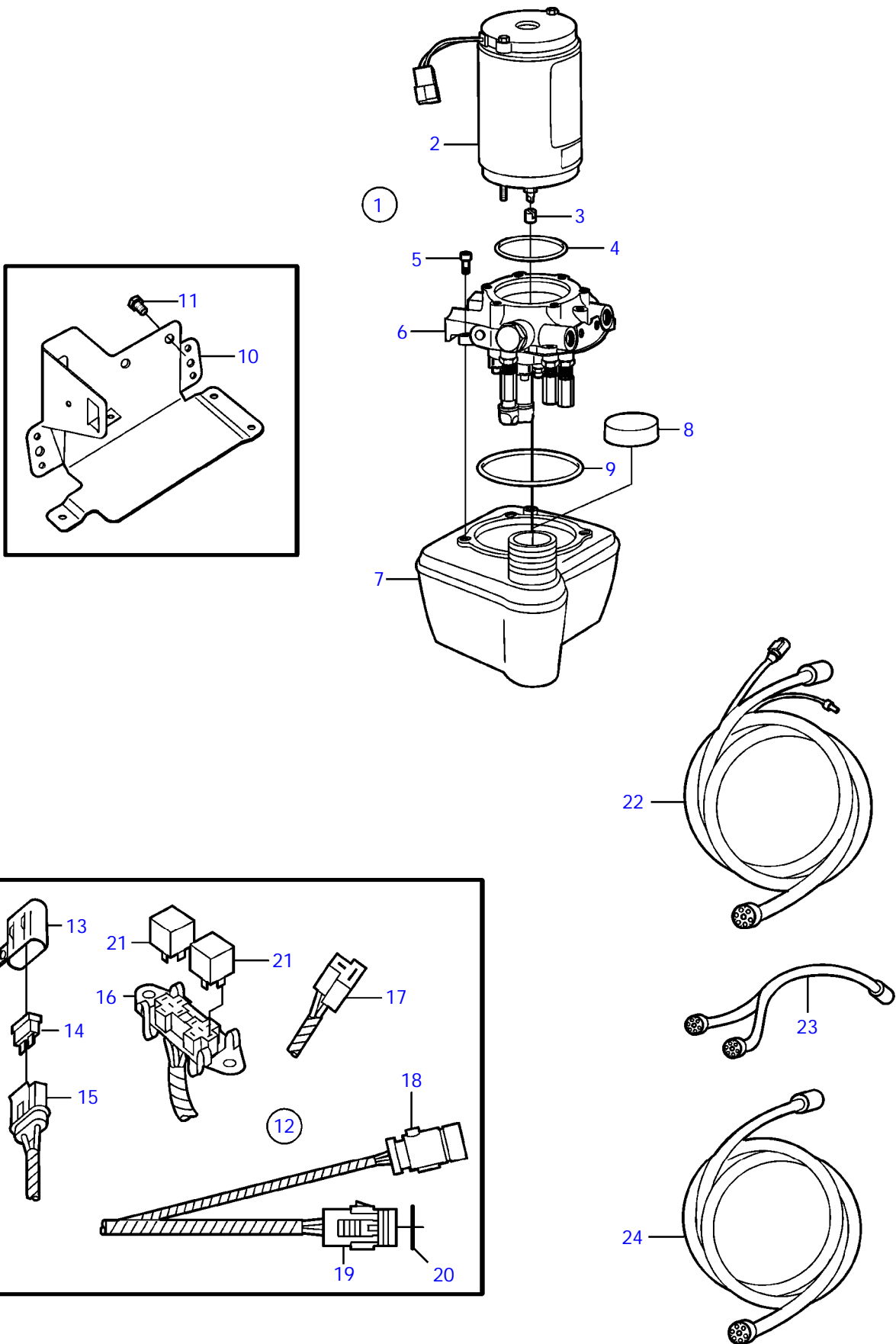


18081

X-BLT, XHP-BLT, XXP-ALT

REF	PART NO.	QTY	DESCRIPTION	NOTES
1	3860374	1	Hydraulic hose	
2	3860373	1	Hydraulic hose	
3	963545	1	Hexagon screw	
4	854628	2	Clamp	
5	944456	1	Hexagon nut	
6	3843514	1	Trimming cylinder	
7	3861583	1	• Anode kit	
8	963683	1	• • Hex. socket screw	
9	3857521	2	E-circlip	
10	982328	2	Washer	
11	3860379	1	Pin	
12	3860378	1	Pin	
13	982283	3	Flange screw	
14	3861169	1	Sensor	Molded connector
15	(3852257)	2	• Terminal	Obsolete part
16	3852555	1	Retainer	
17	3852239	1	Pin connector	
18	(3852230)	1	Plug	Obsolete part
19	3840832	1	Sensor	FCI connector
20	3884945	1	Cable connection	

X-B, X-BLT



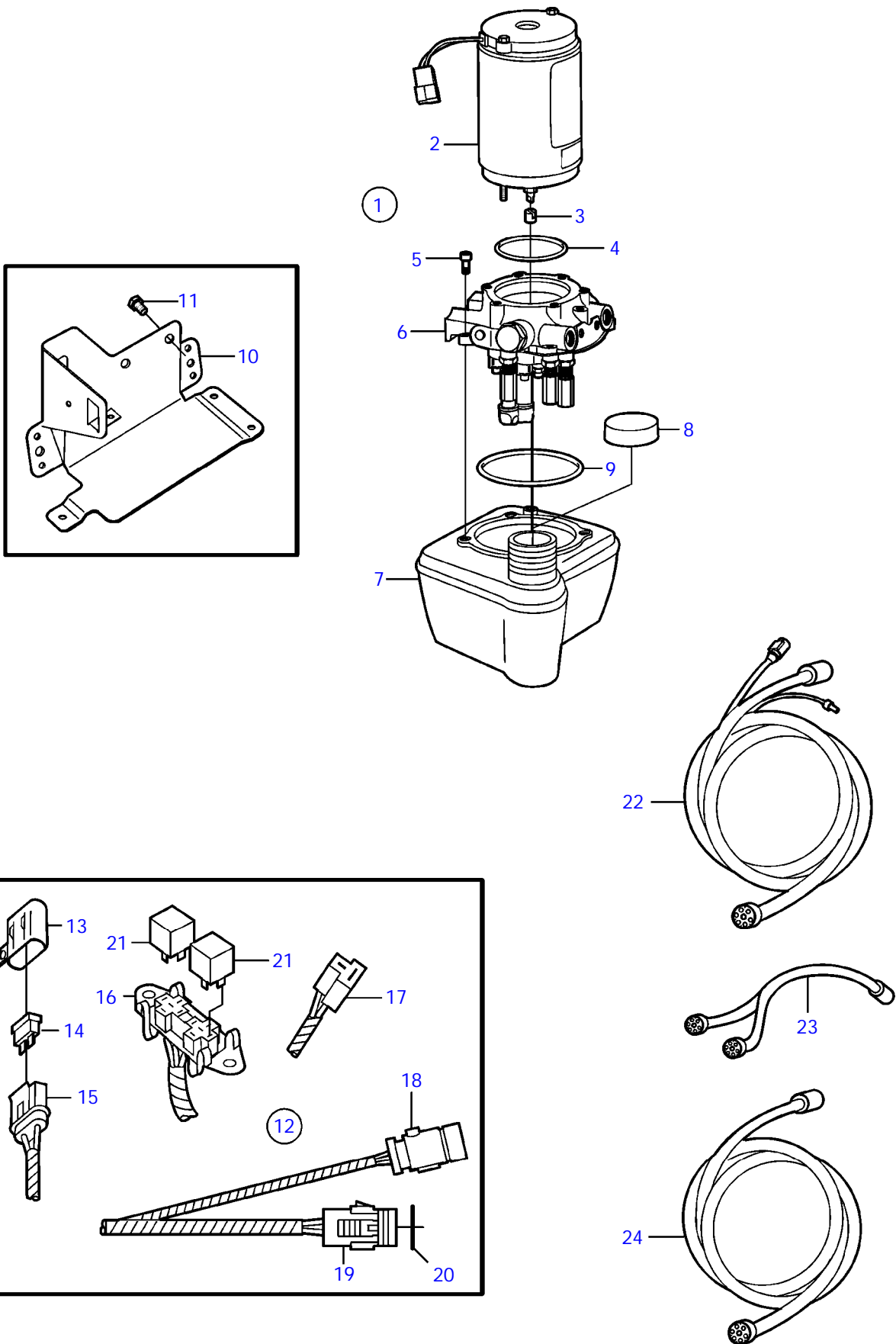
18185



X-B, X-BLT

REF	PART NO.	QTY	DESCRIPTION	NOTES
1	3860372	1	Pump, trim	
2	3861576	1	• Electrical motor	
3	3861577	1	• Connector	
4	3861578	1	• O-ring	
5	3861574	4	• Screw	
6		1	• Valve body	Not serviced
7	3861570	1	• Reservoir	
8	3861572	1	• • Cardboard tube	
9	3861573	1	• • O-ring	
10	3858083	1	• Bracket	
11	971017	2	• Hexagon screw	
12	3857345	1	• Wiring harness	
13	8072808	1	• • Cover	
14	967545	1	• • Fuse	10 amp
15	8166029	1	• • Insulator	
	(3852254)	2	• • Terminal	Obsolete part
16	(3852210)	1	• • Bracket	Obsolete part
	(3852246)	4	• • Terminal	Obsolete part
	(3852247)	6	• • Terminal	Obsolete part
17	958210	1	• • Housing	
	(3852247)	2	• • Terminal	Obsolete part
18		1	• • Connector	Not serviced
19	3852250	1	• • Terminal	
	3852251	1	• • Plug	
	3852253	2	• • Terminal	
20	3852537	1	• • O-ring	
21	3858809	2	• Relay	
22	3855709	X	Wiring harness, trim	5m
	3855708	X	Wiring harness, trim	7m
23	3855712	X	Wiring harness, y	Dual station
24	3855710	X	Wiring harness, extension	3m
	3855711	X	Wiring harness, extension	5m

XHP-B, XHP-BLT, XXP-A, XXP-ALT, XXP-D3

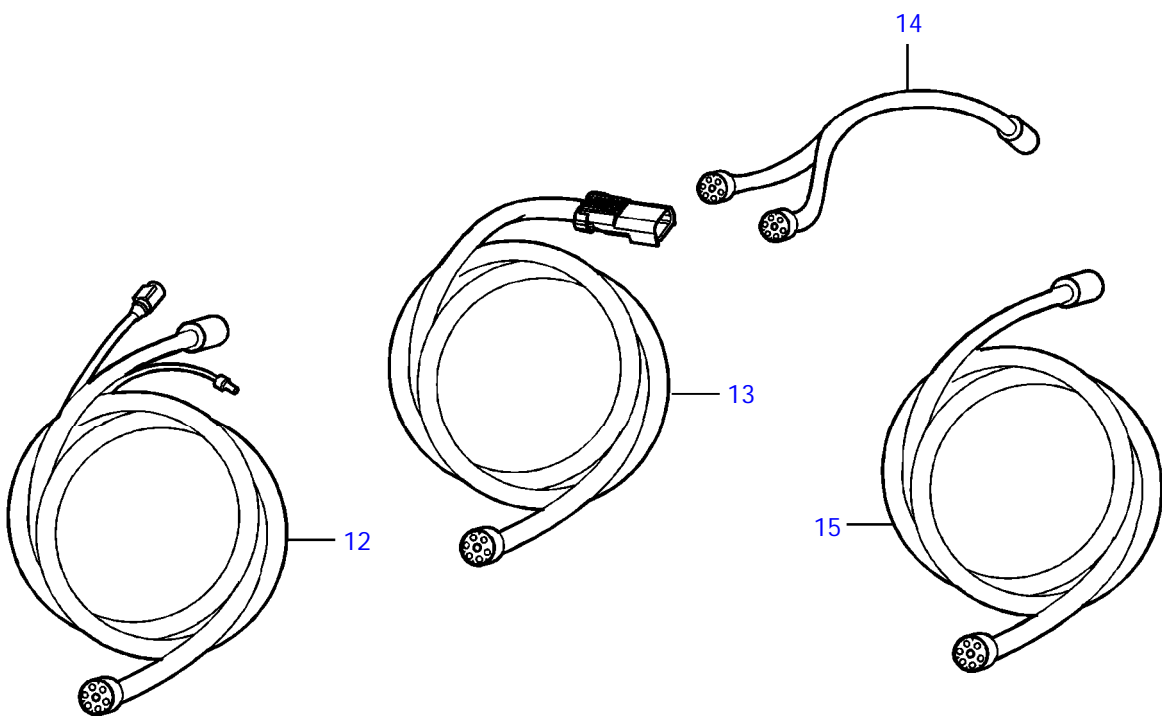
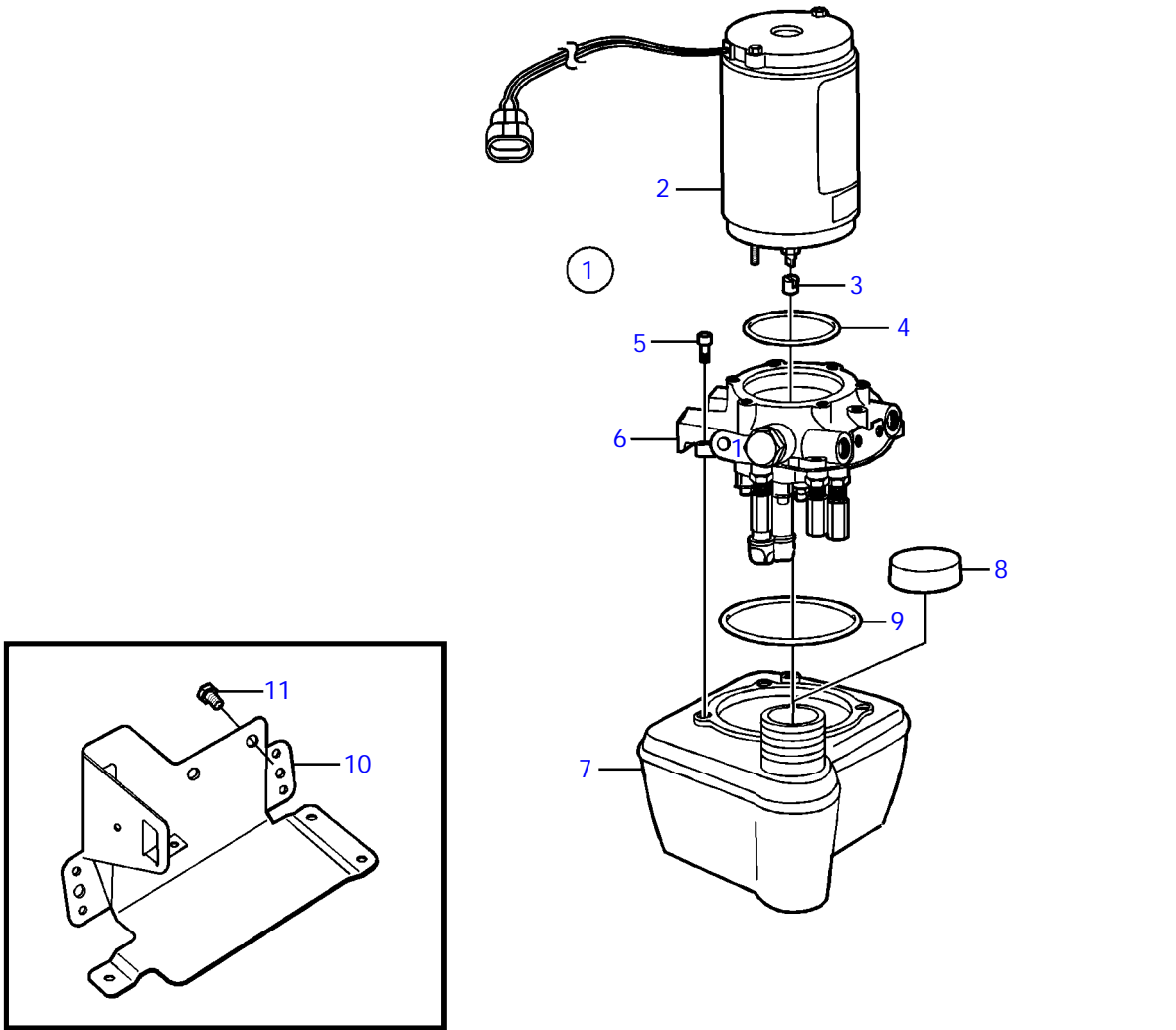


18185

XHP-B, XHP-BLT, XXP-A, XXP-ALT, XXP-D3

REF	PART NO.	QTY	DESCRIPTION	NOTES
1	888792	1	Pump unit, trim	
2	3861576	1	• Electrical motor	
3	3861577	1	• Connector	
4	3861578	1	• O-ring	
5	3861574	4	• Screw	
6		1	• Valve body	Not serviced
7	3861570	1	• Reservoir	
8	3861572	1	• • Cardboard tube	
9	3861573	1	• • O-ring	
10	3858083	1	• Bracket	
11	971017	2	• Hexagon screw	
12	3857345	1	• Wiring harness	
13	8072808	1	• • Cover	
14	967545	1	• • Fuse	10 amp
15	8166029	1	• • Insulator	
	(3852254)	2	• • Terminal	Obsolete part
16	(3852210)	1	• • Bracket	Obsolete part
	(3852246)	4	• • Terminal	Obsolete part
	(3852247)	6	• • Terminal	Obsolete part
17	958210	1	• • Housing	
	(3852247)	2	• • Terminal	Obsolete part
18		1	• • Connector	Not serviced
19	3852250	1	• • Terminal	
	3852251	1	• • Plug	
	3852253	2	• • Terminal	
20	3852537	1	• • O-ring	
21	3858809	2	• Relay	
22	3855709	X	Wiring harness, trim	5m
	3855708	X	Wiring harness, trim	7m
23	3855712	X	Wiring harness, y	Dual station
24	3855710	X	Wiring harness, extension	3m
	3855711	X	Wiring harness, extension	5m

XHP-B, XHP-BLT, XXP-A, XXP-ALT

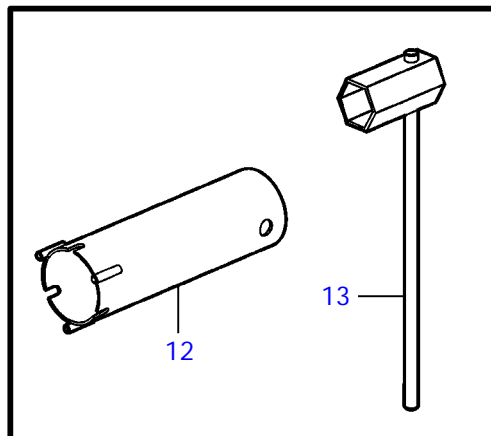
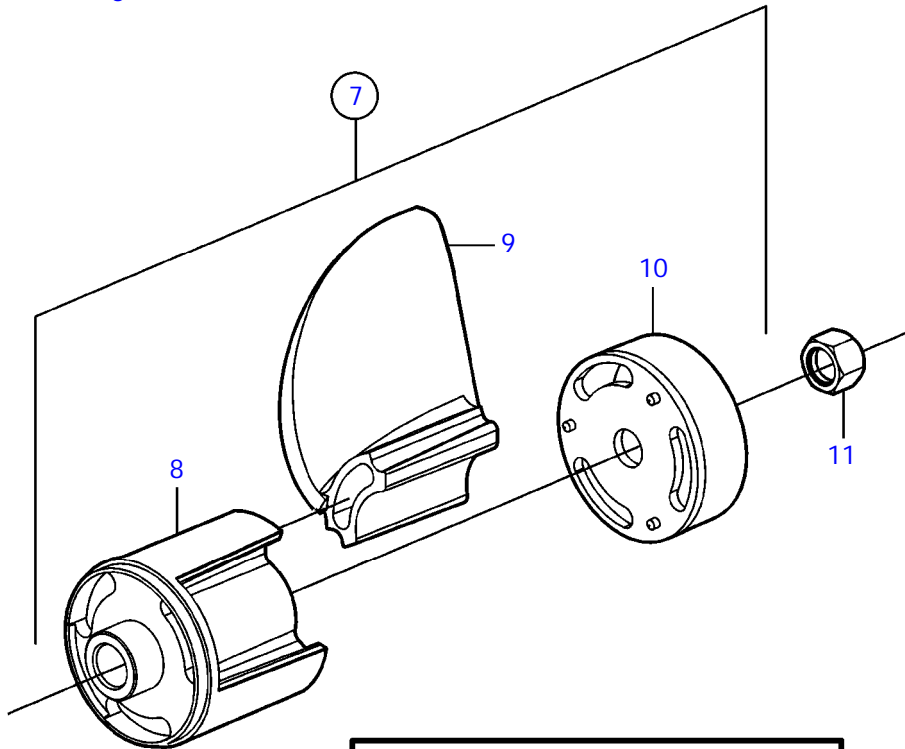
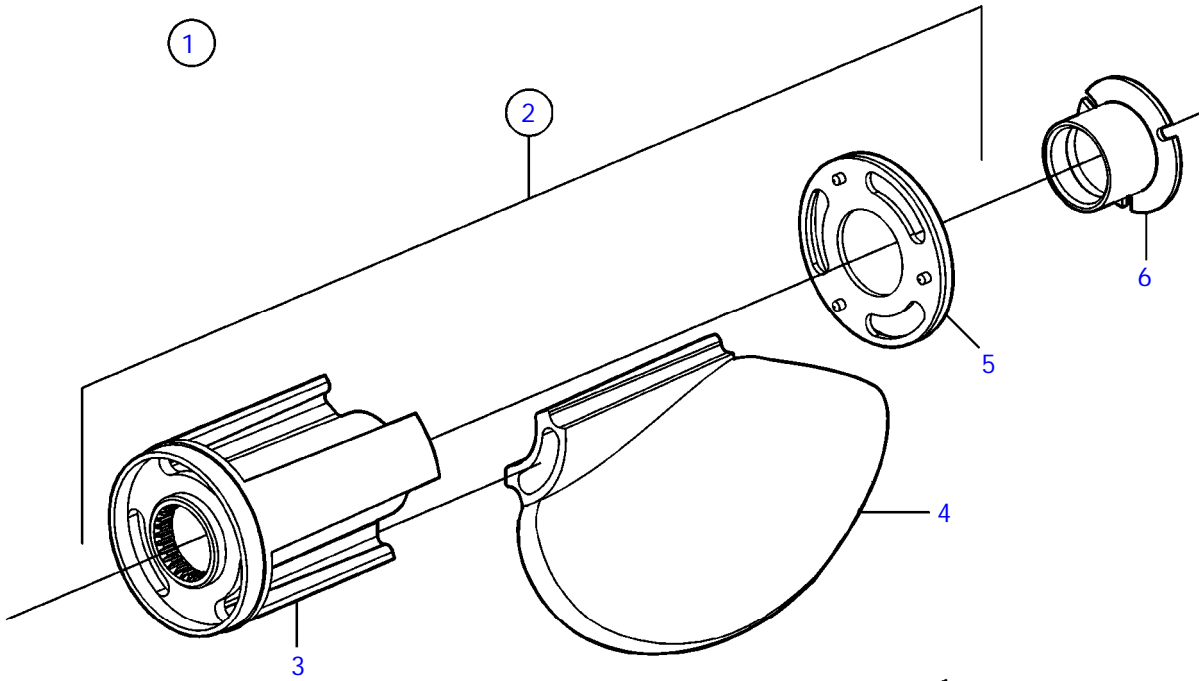


22605

XHP-B, XHP-BLT, XXP-A, XXP-ALT

REF	PART NO.	QTY	DESCRIPTION	NOTES
1	3819847	1	Trimmer, trim	
2	3861576	1	• Electrical motor	
3	3861577	1	• Connector	
4	3861578	1	• O-ring	
5	3861574	4	• Screw	
6		1	• Valve body	Not serviced
7	3861570	1	• Reservoir	
8	3861572	1	• • Cardboard tube	
9	3861573	1	• • O-ring	
10	3858083	1	• Bracket	
11	971017	2	• Hexagon screw	
12	3855709	X	Wiring harness, trim	5m
	3855708	X	Wiring harness, trim	7m
13	3887226	X	Wiring harness, trim	6m
14	3855712	X	Wiring harness, y	Dual station
15	3855710	X	Wiring harness, extension	3m
	3855711	X	Wiring harness, extension	5m

XDP-B 1.78, XDP-B 1.95, XDP-B 2.32, XDP-D3 2.11

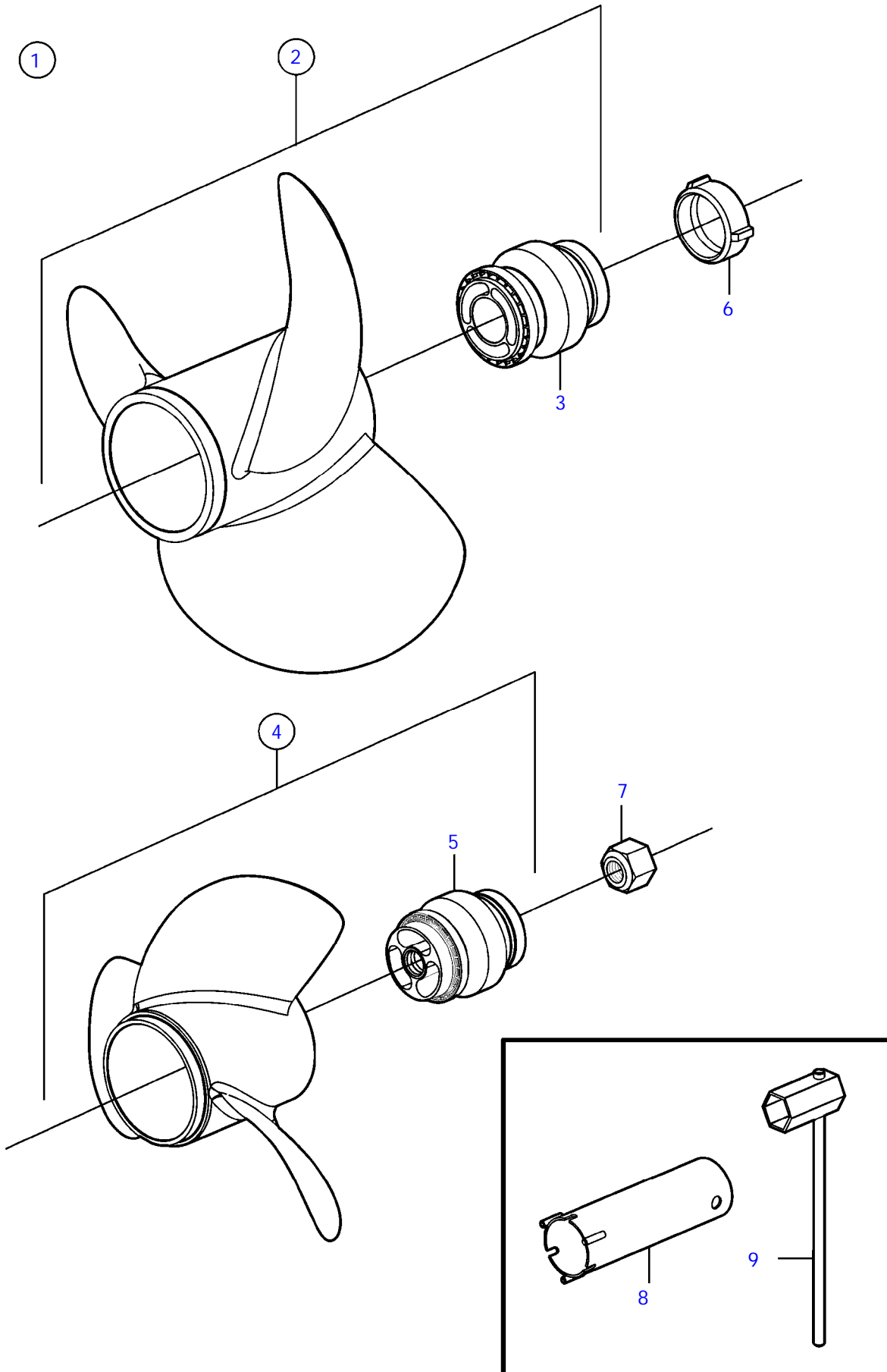


18889

XDP-B 1.78, XDP-B 1.95, XDP-B 2.32, XDP-D3 2.11

REF	PART NO.	QTY	DESCRIPTION	SEE SEC.	NOTES
1	3807959	1	Kit, set		X2
			• Bulletin P-44-7-1	P-44-7-1-EN	Duoprop Propellers
1	3807958	1	Kit, set		X3
	3807957	1	Kit, set		X4
	3807956	1	Kit, set		X5
	3807955	1	Kit, set		X6
	3807954	1	Kit, set		X7
	3807953	1	Kit, set		X8
	3807952	1	Kit, set		X9
2	(888654)	1	• Propeller, front		Obsolete part, X2
	(3807949)	1	• Propeller, front		Obsolete part, X3
	(3807945)	1	• Propeller, front		Obsolete part, X4
	(3807941)	1	• Propeller, front		Obsolete part, X5
	(3807937)	1	• Propeller, front		Obsolete part, X6
	(3807932)	1	• Propeller, front		Obsolete part, X7
	3861623	1	• Propeller, front		X8
	(889562)	1	• Propeller, front		Obsolete part, X9
3		1	• • Propeller hub, front		
4	888651	3	• • Propeller blade		Obsolete part, X2
	3861590	3	• • Blade		X3
	3861592	3	• • Blade		X4
	3861594	3	• • Blade		X5
	3861596	3	• • Blade		X6
	3861598	3	• • Blade		X7
	3861600	3	• • Propeller		X8
	889557	3	• • Propeller blade		Obsolete part, X9
5	3861604	1	• • Cardboard tube, front		Obsolete part
6	3861794	1	• Propeller nut, front		
7	(888655)	1	• Propeller, rear		Obsolete part, X2
	3861614	1	• Propeller, rear		X3
	(3807946)	1	• Propeller, rear		Obsolete part, X4
	(3807942)	1	• Propeller, rear		Obsolete part, X5
	(3807938)	1	• Propeller, rear		Obsolete part, X6
	(3807933)	1	• Propeller, rear		Obsolete part, X7
	3861624	1	• Propeller, rear		X8
	(889564)	1	• Propeller, rear		Obsolete part, X9
8		1	• • Propeller hub, rear		
9	888652	3	• • Propeller blade		Obsolete part, X2
	3861591	3	• • Blade		X3
	3861593	3	• • Blade		X4
	3861595	3	• • Propeller		X5
	3861597	3	• • Blade		X6
	3861599	3	• • Blade		X7
	3861601	3	• • Blade		X8
	889559	3	• • Propeller blade		Obsolete part, X9
10	3861605	1	• • Cardboard tube, rear		Obsolete part
11	3851341	1	Propeller nut, rear		
12	3862797	1	Tool, front		
13	3862808	1	Tool, rear		

XDP-B 1.78, XDP-B 1.95, XDP-B 2.32, XDP-D3 2.11

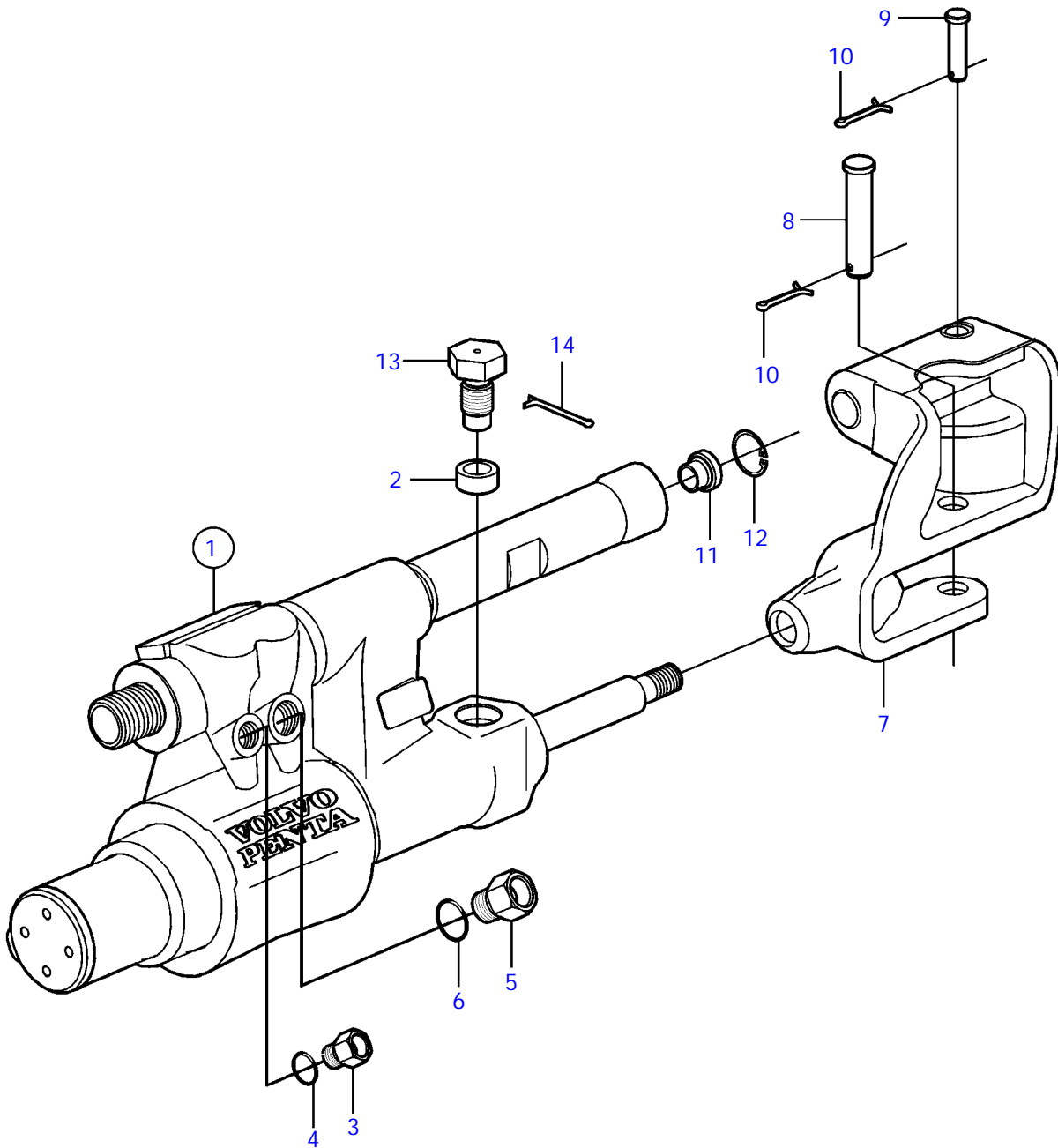


18080

XDP-B 1.78, XDP-B 1.95, XDP-B 2.32, XDP-D3 2.11

REF	PART NO.	QTY	DESCRIPTION	SEE SEC.	NOTES
1	3851480	1	Propeller, aluminum		Set, D0
			• Bulletin P-44-7-1	P-44-7-1-EN	Duoprop Propellers
1	3851481	1	Propeller, aluminum		Set, D1
	3851482	1	Propeller, aluminum		Set, D2
	3851483	1	Propeller, aluminum		Set, D3
	3851484	1	Propeller, aluminum		Set, D4
	3856365	1	Propeller, aluminum		Set, D5
	3856366	1	Propeller, aluminum		Set, D6
	3856367	1	Propeller, aluminum		Set, D7
	3857563	1	Propeller, stainless steel		Set, F2
	3857564	1	Propeller, stainless steel		Set, F3
	3851494	1	Propeller, stainless steel		Set, F4
	3851495	1	Propeller, stainless steel		Set, F5
	3851496	1	Propeller, stainless steel		Set, F6
	3851497	1	Propeller, stainless steel		Set, F7
	3851498	1	Propeller, stainless steel		Set, F8
	3851499	1	Propeller, stainless steel		Set, F9
2	3851420	1	• Propeller, aluminum		Front, D0
	3851421	1	• Propeller, aluminum		Front, D1
	3851422	1	• Propeller, aluminum		Front, D2
	3851423	1	• Propeller, aluminum		Front, D3
	3851424	1	• Propeller, aluminum		Front, D4
	3856345	1	• Propeller, aluminum		Front, D5
	3856346	1	• Propeller, aluminum		Front, D6
	3856347	1	• Propeller, aluminum		Front, D7
	3857557	1	• Propeller, stainless steel		Front, F2
	3857559	1	• Propeller, stainless steel		Front, F3
	3851464	1	• Propeller, stainless steel		Front, F4
	3851465	1	• Propeller, stainless steel		Front, F5
	3851466	1	• Propeller, stainless steel		Front, F6
	3851467	1	• Propeller, stainless steel		Front, F7
	3851468	1	• Propeller, stainless steel		Front, F8
	3851469	1	• Propeller, stainless steel		Front, F9
3	3851258	1	• • Bushing, front		
4	3851440	1	• Propeller, aluminum		Rear, D0
	3851441	1	• Propeller, aluminum		Rear, D1
	3851442	1	• Propeller, aluminum		Rear, D2
	3851443	1	• Propeller, aluminum		Rear, D3
	3851444	1	• Propeller, aluminum		Rear, D4
	3856355	1	• Propeller, aluminum		Rear, D5
	3856356	1	• Propeller, aluminum		Rear, D6
	3856357	1	• Propeller, aluminum		Rear, D7
	3857558	1	• Propeller, stainless steel		Rear, F2
	3857560	1	• Propeller, stainless steel		Rear, F3
	3851474	1	• Propeller, stainless steel		Rear, F4
	3851475	1	• Propeller, stainless steel		Rear, F5
	3851476	1	• Propeller, stainless steel		Rear, F6
	3851477	1	• Propeller, stainless steel		Rear, F7
	3851478	1	• Propeller, stainless steel		Rear, F8
	3851479	1	• Propeller, stainless steel		Rear, F9
5	3851259	1	• • Bushing, rear		
6	3851569	1	Propeller nut, front		
7	3851341	1	Propeller nut, rear		
8	3862797	1	Tool, front		
9	3862808	1	Tool, rear		

X-B, X-BLT, XHP-B, XHP-BLT, XXP-A, XXP-ALT, XXP-D3



18083

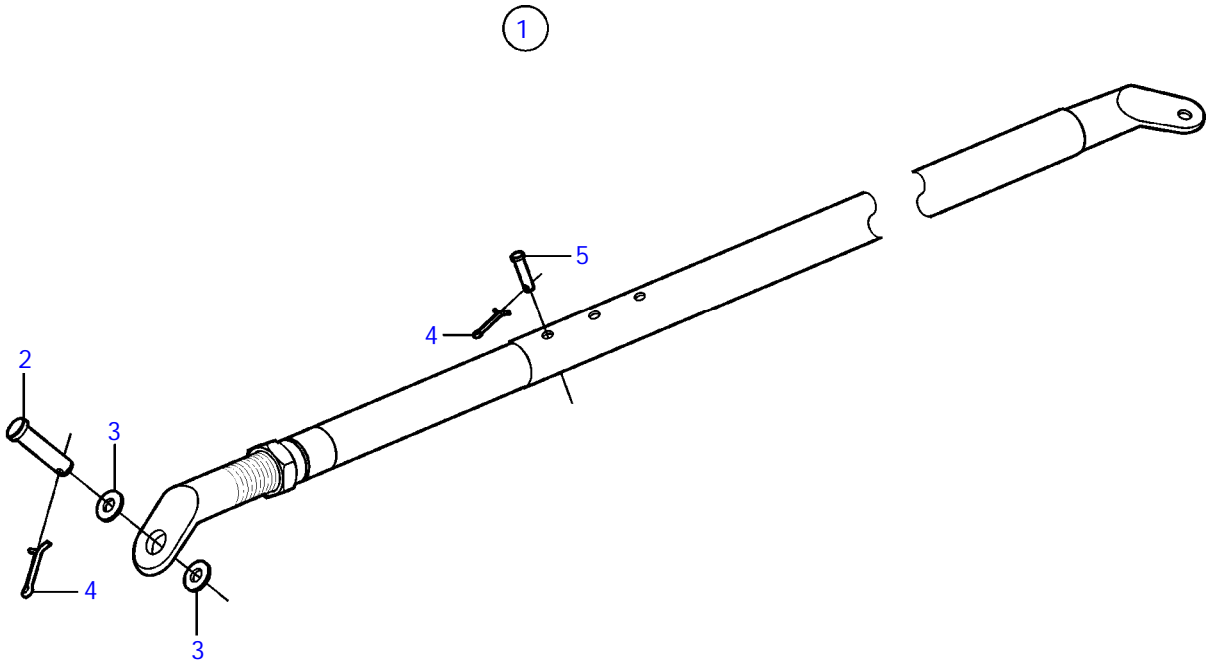
Steering Cylinder	64
--------------------------	-----------

X-B, X-BLT, XHP-B, XHP-BLT, XXP-A, XXP-ALT, XXP-D3

REF	PART NO.	QTY	DESCRIPTION
1	3812269	1	Steering cylinder
2	3861035	2	• Bushing
3	3859041	1	• Fitting
4	3859040	1	• O-ring
5	3859043	1	• Fitting
6	3859042	1	• O-ring
7	3859048	1	• Cable attachment
8	3859047	1	• Pin
9	3859046	1	• Pin
10	3859045	2	• Split pin
11	3859052	1	• Ring
12	3859051	1	• Ring
13	3850931	2	Screw
14	3853376	2	Split pin



X-B, X-BLT, XHP-B, XHP-BLT, XXP-A, XXP-ALT, XXP-D3



18085

X-B, X-BLT, XHP-B, XHP-BLT, XXP-A, XXP-ALT, XXP-D3

REF	PART NO.	QTY	DESCRIPTION	NOTES
1	3841706	1	Kit	L=26-41" (0.66-1.04M)
	3841707	1	Kit	L=33-48" (0.84-1.22M)
2	3855225	2	• Clevis pin	
3	3855226	4	• Washer	
4	3852255	3	• Split pin	
5	3855224	1	• Clevis pin	

XDP-B, X-B, X-BLT, XHP-B, XHP-BLT, XXP-A, XXP-ALT, XXP-D3

REF	PART NO.	QTY	DESCRIPTION	NOTES
1	3859049	1	Kit	Transom shield
	3860377	1	• Sealing	
	3860984	1	• Sealing	
	3852537	1	• O-ring	
	942978	1	• O-ring	
	3852548	1	• Sealing	
	979874	1	• Split pin	
	3860430	2	• Washer	
	941503	1	• O-ring	
	3853376	2	• Split pin	
	3859045	2	• Split pin	
	3859050	1	Kit	XDP-B drive
	3852045	1	• O-ring	
	3862105	1	• Gasket	
	190187	1	• O-ring	
	3855081	1	• O-ring	
	3860430	2	• Washer	
	949974	1	• O-ring	
	3854480	1	• Split pin	
	925093	1	• O-ring	
	853868	1	• Sealing ring	
	3852565	2	• O-ring	
	3852272	1	• Sealing	
	925095	1	• O-ring	
	949656	1	• O-ring	
	853871	1	• Sealing ring	
	942791	3	• O-ring	
	946438	2	• O-ring	
	955981	1	• O-ring	
	851407	2	• Sealing ring	
	3852865	1	• O-ring	

--

DESCRIPTION	SEE SEC.	NOTES
Maintenance Parts, XDP	36023	XDP-B



DESCRIPTION	SEE SEC.	NOTES
Drive Unit, Complete	9464	XDP-B
Transom Shield, Complete	36334	X-B, X-BLT, XHP-B, XHP-BLT, XXP-A, XXP-ALT, XXP-D3
Transom Shield, Replacement Kit	36335	X-B, X-BLT, XHP-B, XHP-BLT, XXP-A, XXP-A, XXP-ALT, XXP-ALT
Inner Transom Plate	4611	X-B, X-BLT, XHP-B, XHP-BLT, XXP-A, XXP-ALT, XXP-D3
Transom Shield	4595	X-B, X-BLT
Transom Shield	7566	XHP-B, XHP-BLT, XXP-D3
Transom Shield	7537	XXP-A, XXP-ALT
Gimbal Ring	5453	X-B, X-BLT, XHP-B, XHP-BLT, XXP-D3
Gimbal Ring	7567	XXP-A, XXP-ALT
Water and Exhaust Block off Kits	4613	X-B, X-BLT, XHP-B, XHP-BLT, XXP-A, XXP-ALT, XXP-D3
Housing and Center Tube	4601	XDP-B
U-Joint and Bearing Carrier	4624	XDP-B
Upper Vertical Shaft	4596	XDP-B
Lower Vertical Shaft	4597	XDP-B
Propeller Shaft and Bearing Housing	4598	XDP-B
Shift Mechanism	4599	XDP-B
Jackshaft Bearing Housing, Early Version	6248	X-B, X-BLT, XHP-B, XHP-BLT, XXP-A, XXP-ALT, XXP-D3
Jackshaft Bearing Housing, Later Version	6249	X-B, X-BLT, XHP-B, XHP-BLT, XXP-A, XXP-ALT, XXP-D3
Jackshaft	7571	X-B, X-BLT, XHP-B, XHP-BLT, XXP-A, XXP-ALT, XXP-D3
Jackshaft, Exhaust Components, 4.3L	8910	XHP-B, XHP-BLT
Jackshaft, Exhaust Components, 4.3L	22375	XHP-B, XHP-BLT, XXP-A, XXP-ALT
Jackshaft, Exhaust Components, 5.0L and 5.7L	8911	XXP-A, XXP-ALT
Jackshaft Connecting Components, 5.0L, 5.7L, 8.1L	22380	XHP-B, XHP-BLT, XXP-A, XXP-ALT
Jackshaft, Connecting Components, Early Version	6426	X-B, X-BLT, XHP-B, XHP-BLT, XXP-A, XXP-ALT, XXP-D3
Jackshaft, Connecting Components, Later Version	22382	X-B, X-BLT, XHP-B, XHP-BLT, XXP-A, XXP-ALT
Power Trim System	4610	X-B, XHP-B, XXP-A, XXP-D3
Power Trim System	7568	X-BLT, XHP-BLT, XXP-ALT
Trim Pump	4686	X-B, X-BLT
Trim Pump, Early Version	7569	XHP-B, XHP-BLT, XXP-A, XXP-ALT, XXP-D3
Trim Pump, Later Version	9205	XHP-B, XHP-BLT, XXP-A, XXP-ALT
X Series Propeller	5512	XDP-B 1.78, XDP-B 1.95, XDP-B 2.32, XDP-D3 2.11
Duoprop Propeller	4619	XDP-B 1.78, XDP-B 1.95, XDP-B 2.32, XDP-D3 2.11

DESCRIPTION	SEE SEC.	NOTES
Steering Cylinder	4612	X-B, X-BLT, XHP-B, XHP-BLT, XXP-A, XXP-ALT, XXP-D3
Tie Bar Kit	4614	X-B, X-BLT, XHP-B, XHP-BLT, XXP-A, XXP-ALT, XXP-D3

--

DESCRIPTION	SEE SEC.	NOTES
Repair Kits	4604	XDP-B, X-B, X-BLT, XHP-B, XHP-BLT, XXP-A, XXP-ALT, XXP-D3



