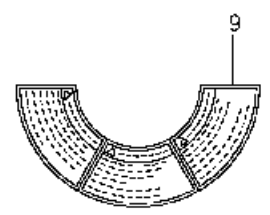
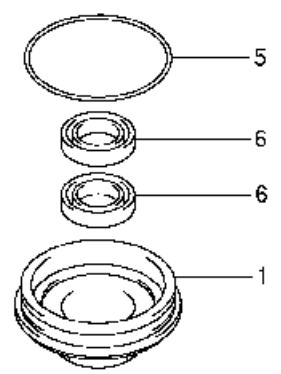
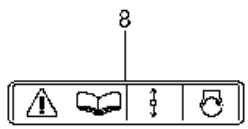
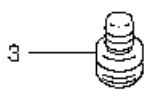
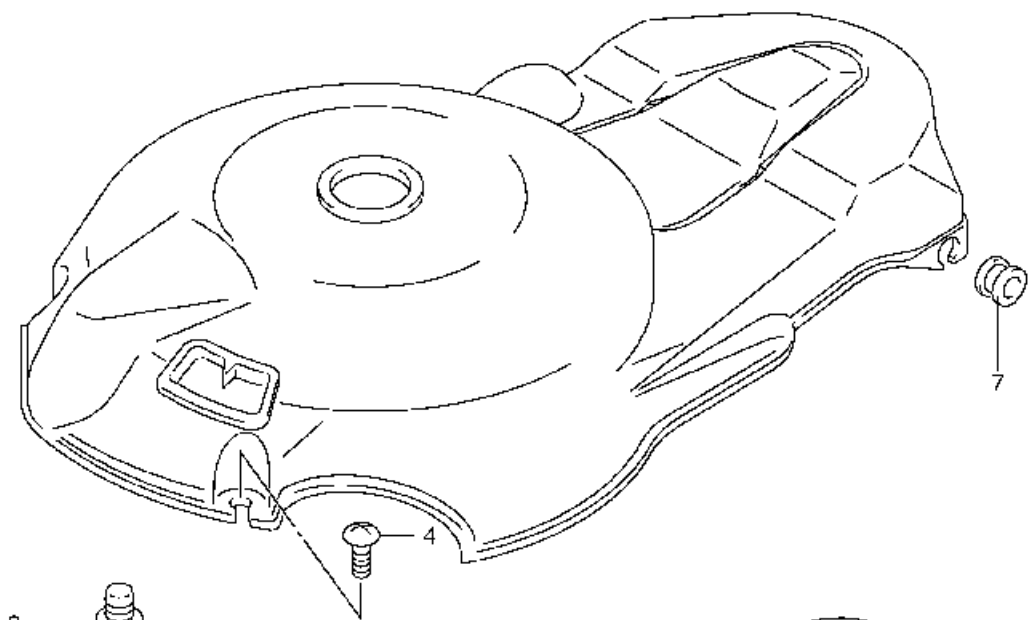


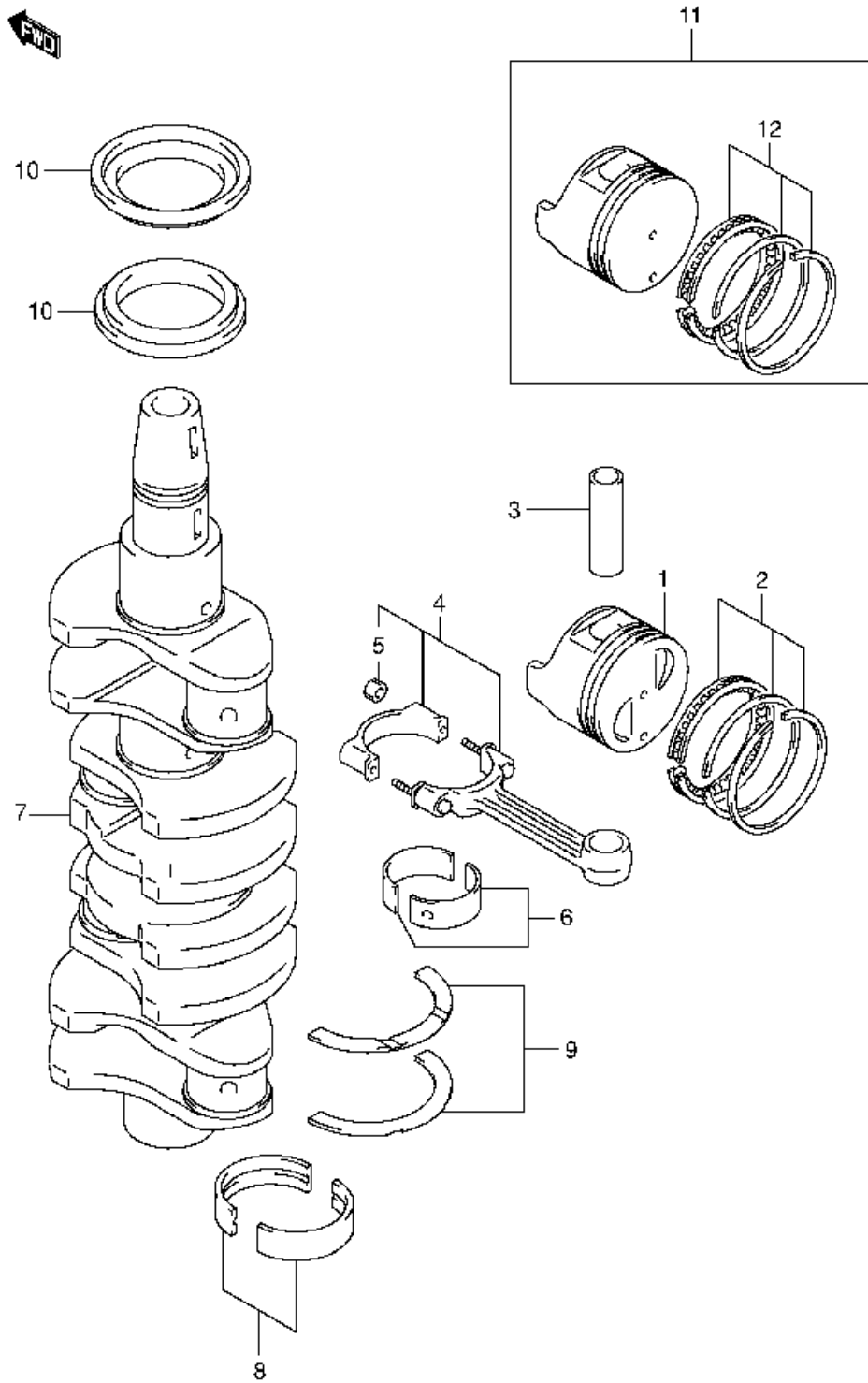
N° Réf.	N° Pièce	Désignation
1	11291-94402	Hook, Engine Port
1a	11291-99E10	Hook, Engine Port
2	01550-08257	Bolt
3	11291-94600	Hook, Engine Stbd
4	01550-08257	Bolt
4a	11290-99E10	Holder, Engine Hook
4b	01550-06127	Bolt
5	01550-08257	Bolt
6	13300-99E05-019	Block, Cylinder (black)
6	13300-99E06	Block, Cylinder (black)
7	11291-857A1	. Bolt
7	11117-99E00	. Bolt
8	11118-9E300	. Plug
9	09246-09002	. Plug
10	09246-16010	. Plug
11	01550-04607	. Bolt
11	09116-08124	. Bolt (washer)
12	01550-08607	. Bolt
13	09206-13019	. Pin, Knock
13	09206-13019	. Pin, Knock
14	11330-99E00-019	Cover, Water Jacket (black)
15	11332-99E00	Gasket, Water Jacket Cover
16	16830-99E00	Guide, Oil Level Gauge
16	16830-99E11	Guide, Oil Level Gauge
17	09280-09008	O Ring (d2.1, s5.8)
18	01550-06127	Bolt
19	01550-08207	Bolt
20	11291-91B50	Hook, Engine

2



N° Réf.	N° Pièce	Désignation
1	11431-99E02	Housing, Under Oil Seal
2	11510-99E00	Cover, Ring Gear
3	11512-99E00	Cushion, Ring Gear Cover
4	09125-06111	Screw (6x18)
5	09280-84003	O Ring (d3.1, id53.9)
6	09292-22007	Seal, Oil
7	09320-10008	Cushion
8	69711-93E10	Label, Caution
9	61472-93E31	Label, Mag Cover
9	61472-93E32	Label, Mag Cover
10	09293-52004	Seal, Oil (52x70x10)

N° cliché: FIG4
 Titre du cliché: CRANKSHAFT

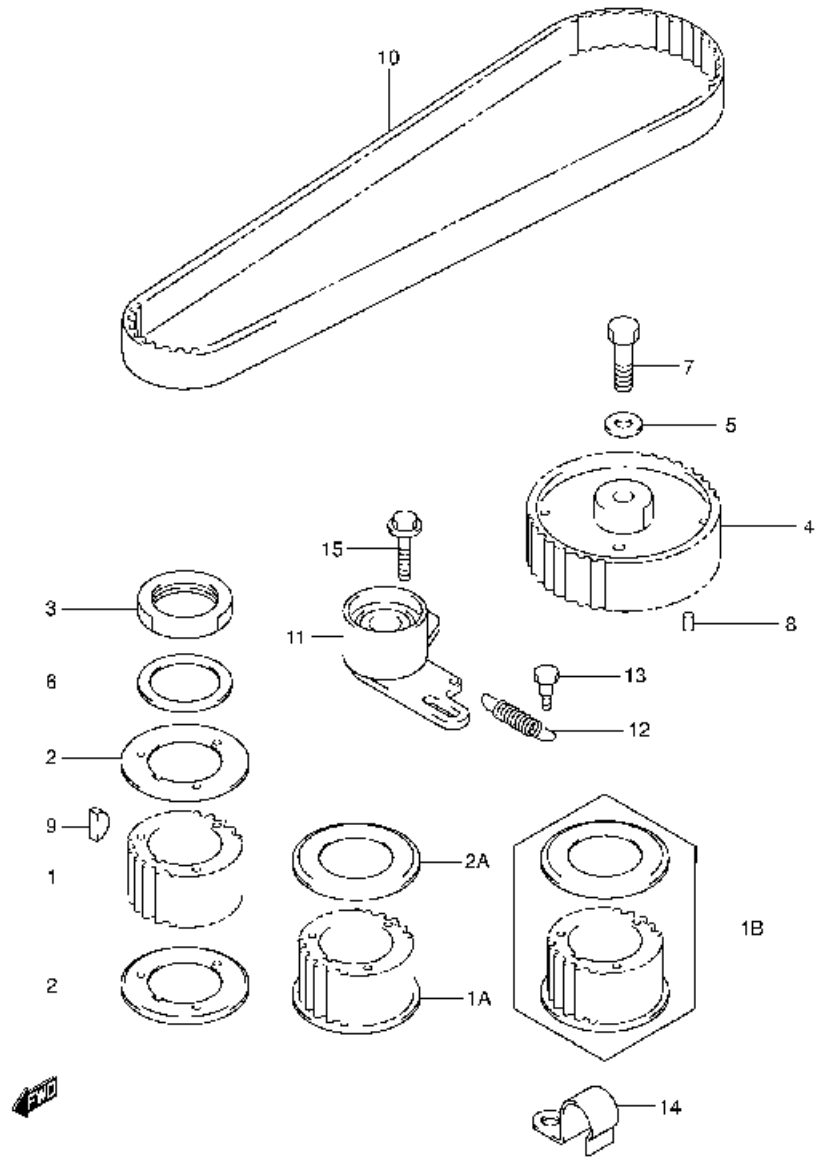


N° Réf.	N° Pièce	Désignation
1	12111-99E01	Piston
2	12140-82X50	Ring Set, Piston
2	12140-99E00	Ring Set, Piston
3	12151-82000	Pin, Piston
4	12160-86002	Connrod Assy
5	09159-09033	* Nut
6	12100-82B10	Bearing Set, Big End
7	12220-99E01	Crankshaft
8	12340-58BAG-0A0	Bearing Set, Main (green)
8	12340-58BAG-0B0	Bearing Set, Main (black)
8	12340-58BAG-0C0	Bearing Set, Main (violet)
8	12340-58B00-0D0	Bearing Set, Main (yellow)
8	12340-58B00-0E0	Bearing Set, Main (blue)
8	12300-60850	Bearing Set, Thrust
10	09283-52004	Seal, Oil (52x70x10)
11	12100-99E01-050	Piston Set (os:0.50)
12	12140-82X50-050	* Ring Set, Piston (os:0.50)

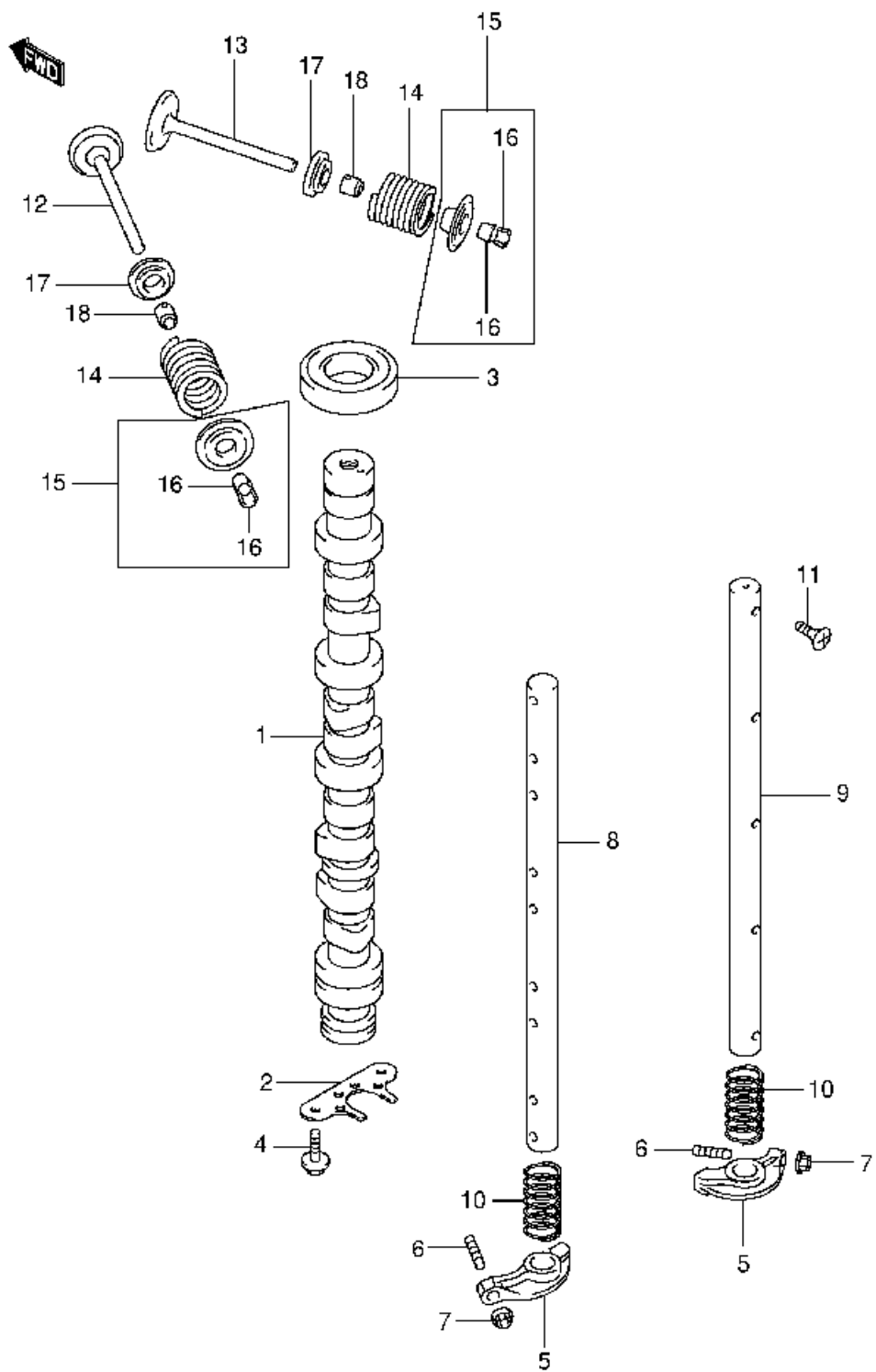
FIG5 TIMING BELT

N° Réf.	N° Pièce	Designation
1	12631-99E00	Pulley, Timing Belt
1a	12631-99E10	Pulley, Timing Belt
1b	12635-99E10	Pulley, Guide Set
2	12635-99E00	Guide, Timing Belt
2a	12635-99E10	Guide, Timing Belt
3	12637-99E00	Nut, Pulley
4	12740-99E01	Pulley, Camshaft Timing
4	12740-99E10	Pulley, Camshaft Timing
5	09160-12082	Washer
6	09164-38001	Washer
7	01505-12407	Bolt
8	04221-05109	Pin
9	06341-31059	Key
10	12761-72700	Belt, Timing
11	12810-99E00	Tensioner, Timing Belt
12	13821-99E01	Spring, Tensioner
13	09111-06083	Bolt
14	09400-20301	Clamp
15	01550-06207	Bolt

FIG.5



DF60 70 E01 005
TIMING BELT

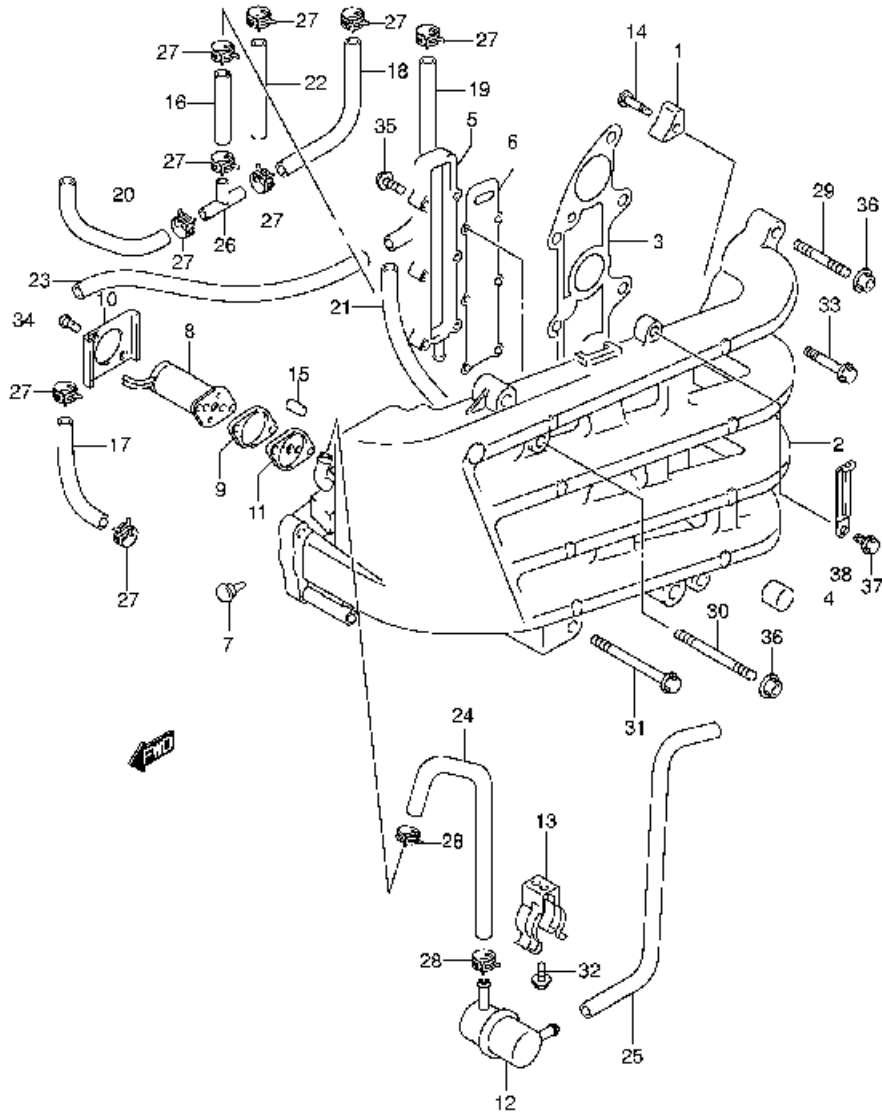


N° Réf.	N° Pièce	Désignation
1	12710-99E02	Camshaft
1	12710-99E12	Camshaft
2	12731-99E00	Plate, Camshaft Thrust
3	09293-32041	Seal, Oil (32x52x8)
4	01550-06167	Bolt
5	12841-99E02	Arm, Rocker
6	12848-82000	Screw, Valve Adjusting
7	08159-07004	Nut
8	12860-82600	Shaft, Intake Rocker Arm
9	12870-82600	Shaft, Exhaust Rocker Arm
10	12891-51090	Spring, Rocker Arm
11	02122-0612A	Screw
12	12911-82010	Valve, Intake
13	12915-82082	Valve, Exhaust
14	12921-60A00	Spring, Valve
15	12900-82811	Retainer, Cotter Valve Set
16	12932-82000	Cotter, Valve
17	12933-73000	Seal, Valve Spring
18	09298-07007	Seal

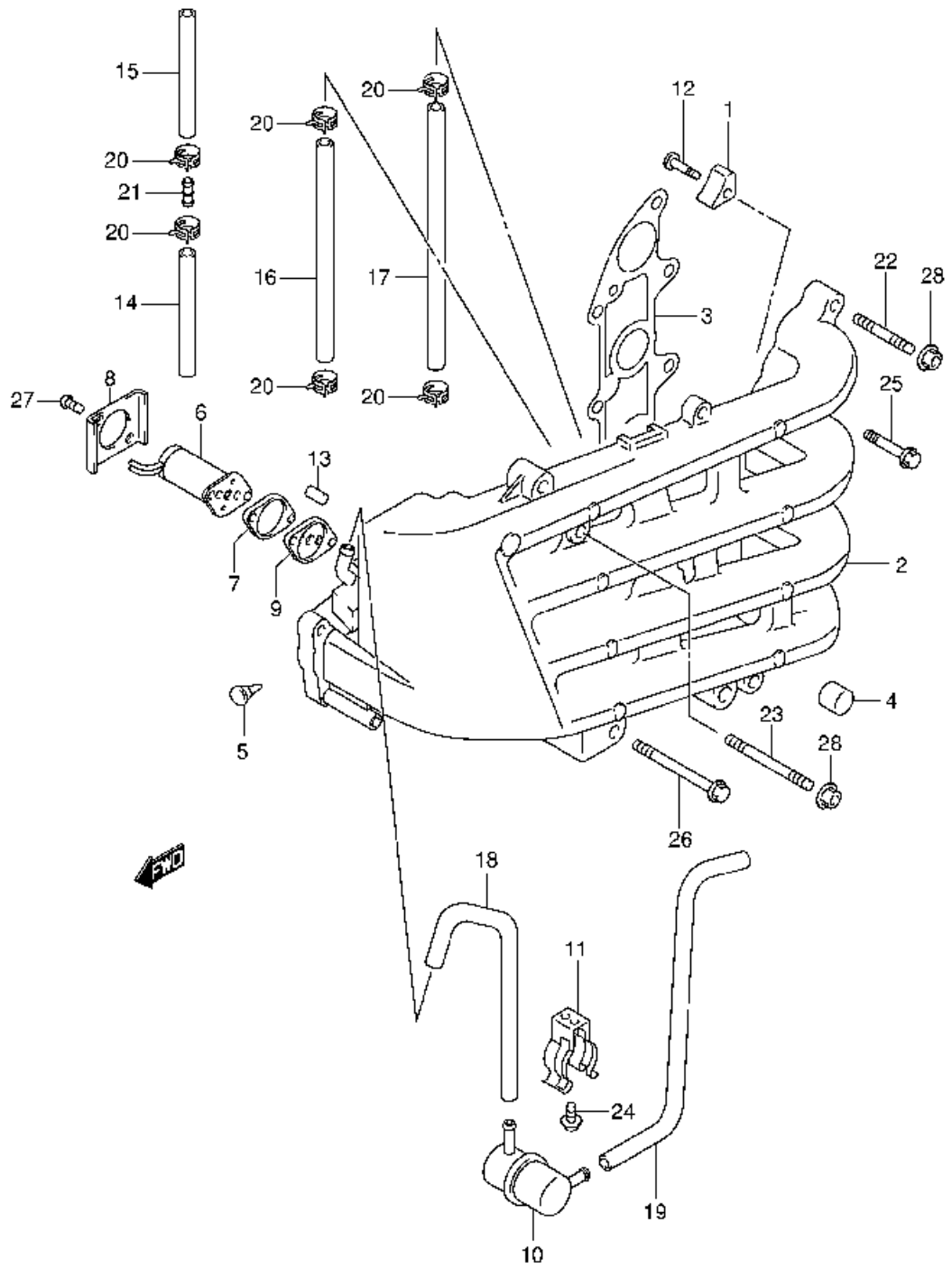
FIG7 INLET MANIFOLD (DF60,DF70(*)

N° Réf.	N° Pièce	Désignation
1	11281-94400	Protection, Anode
2	13110-99E01	Manifold, Inlet
3	13119-99E00	Gasket, Inlet Manifold
4	09329-12004	Cushion
5	13140-99E00	Cover, Inman
6	13145-99E01	Gasket, Inman Cover
7	13350-99E00	Screw, Bypass Air
8	13450-99E00	Valve, Iac
9	13452-61A00	Flange
10	13453-61A00	Holder
11	13451-99E00	Seal, Rubber
12	18145-84380	Silencer, Iac Valve
13	18146-84380	Clamp, Iac Silencer
14	09126-06005	Screw
15	09202-07001	Pin, Dowel
16	09352-50903-600	Hose (Inman To Union)
17	09352-50903-600	Hose (Case To Case)
18	09352-50903-600	Hose (Union To Sep)
19	09352-50903-600	Hose (Case To Union)
20	09352-50903-600	Hose (Union To Case)
21	09352-50903-600	Hose (Union To Oil Pan)
22	09352-50903-600	Hose (Holder To Inman)
23	09352-50903-600	Hose (Case To Union)
24	09355-70125-600	Hose (Inman To Iac)
25	09355-70125-00B	Hose, Silencer
26	09387-06002	3 Way
27	09401-08411	Clip
28	09401-11407	Clip
29	01421-08397	Bolt, Stud
30	01421-08457	Bolt, Stud
31	01550-09157	Bolt
32	01550-06127	Bolt
33	01550-08407	Bolt
34	02112-05187	Screw
35	02142-06207	Screw
36	01560-06257	Bolt
37	08316-10087	Nut
38	01550-06107	Bolt
39	09404-06432	Clamp

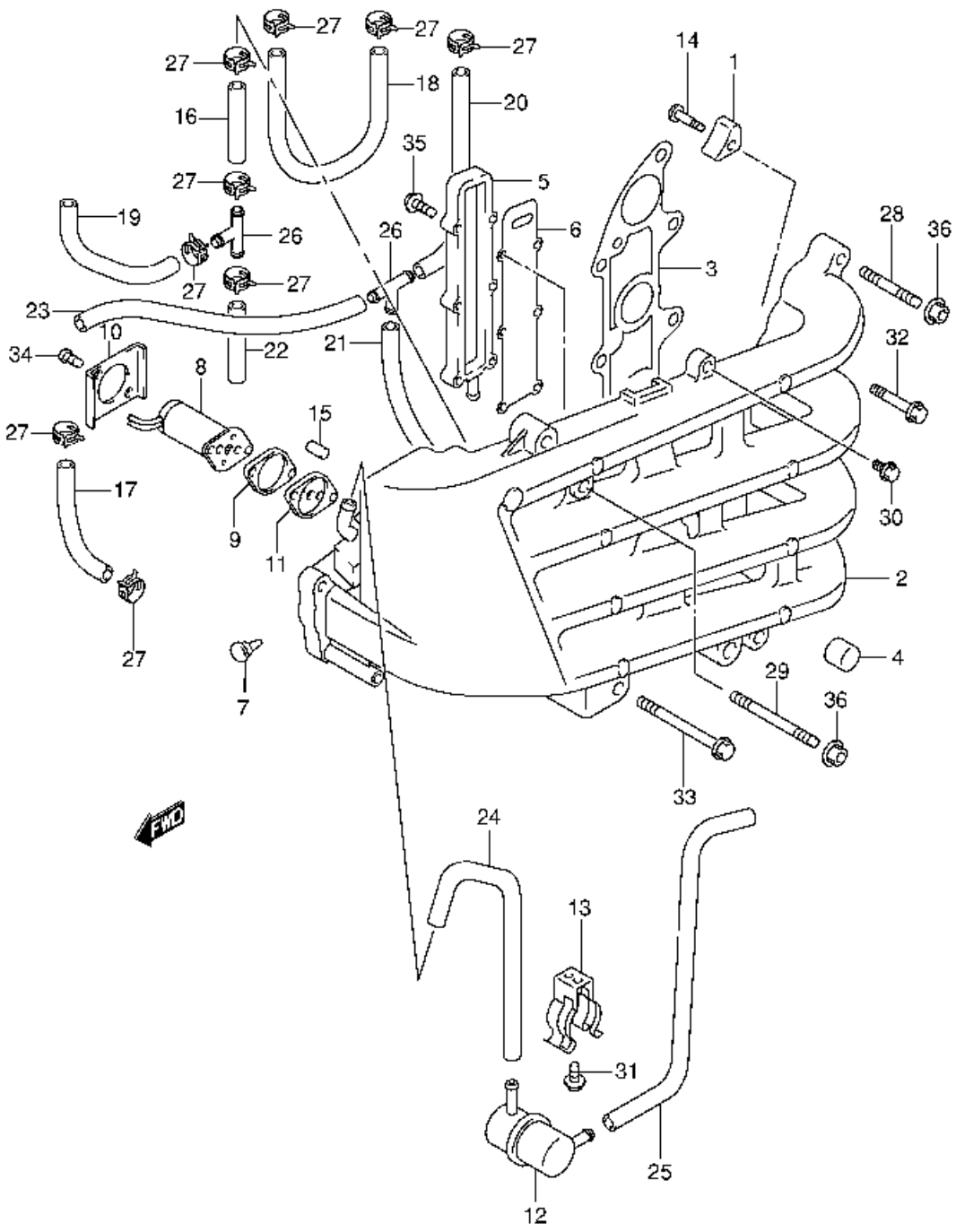
FIG.7



DF60 70 E01 007
INLET MANIFOLD



N° Réf.	N° Pièce	Désignation
1	11281-94400	Protection, Anode
2	13110-99E01	Manifold, Inlet
2	13110-99E20	Manifold, Inlet
3	13119-99E00	Gasket, Inlet Manifold
4	09329-12004	Cushion
5	13350-99E00	Screw, Bypass Air
6	13450-99E00	Valve, Iac
7	13452-61A00	Flange
8	13453-61A00	Holder
9	13451-99E00	Seat, Rubber
10	18146-84380	Silencer, Iac Valve
11	18146-84380	Clamp, Silencer
12	09126-06005	Screw (6x30)
13	09202-07001	Pin, Dowel
14	09352-50903-600	Hose (2 Way To Sep)
15	09352-50903-600	Hose (holder To 2 Way)
16	09352-50903-600	Hose (holder To Sep)
17	09352-50903-600	Hose (sep To Oil Pan)
18	09352-70121-600	Hose (Innnet To Iac)
19	09352-70121-00B	Hose, Silencer
20	09401-08411	Clip
20	09401-08411	Clip
21	09364-06005	2 Way
22	01421-08357	Bolt, Stud
23	01421-08457	Bolt, Stud
24	01550-06127	Bolt
25	01550-08407	Bolt
26	01550-08757	Bolt
27	02112-05187	Screw
28	08316-10087	Nut



N° Réf.	N° Pièce	Désignation
1	11281-94400	Protection, Anode
2	13110-99E01	Manifold, Inlet
3	13119-99E00	Gasket, Inlet Manifold
4	09329-12004	Cushion
5	13140-99E00	Cover, Inman
6	13145-99E01	Gasket, Inman Cover
7	13350-99E00	Screw, Bypass Air
8	13450-99E00	Valve, Iac
9	13452-61A00	Flange
10	13453-61A00	Holder
11	13451-99E00	Seal, Rubber
12	18145-84380	Silencer, Iac Valve
13	18146-84380	Clamp, Silencer
14	09126-06005	Screw (6x3)
15	09202-07001	Pin, Dowel
16	09352-50903-600	Hose (union To Inman)
17	09352-50903-600	Hose (case To Case)
18	09352-50903-600	Hose (Inman To Sep)
19	09352-50903-600	Hose (union To Case)
20	09352-50903-600	Hose (Sep To Union)
21	09352-50903-600	Hose (union To Oil Pan)
22	09352-50903-600	Hose (holder To Union)
23	09352-50903-600	Hose (case To Union)
24	09352-70121-600	Hose (Inman To Iac)
25	09352-70121-00B	Hose, Silencer
26	09367-06002	3 Way
27	09401-08411	Clip
28	01421-08357	Bolt, Stud
29	01421-08357	Bolt, Stud
30	01550-08107	Bolt
31	01550-08127	Bolt
32	01550-08407	Bolt
33	01550-08757	Bolt
34	03112-05187	Screw
35	01560-06257	Bolt
36	08316-10087	Nut

FIG.10

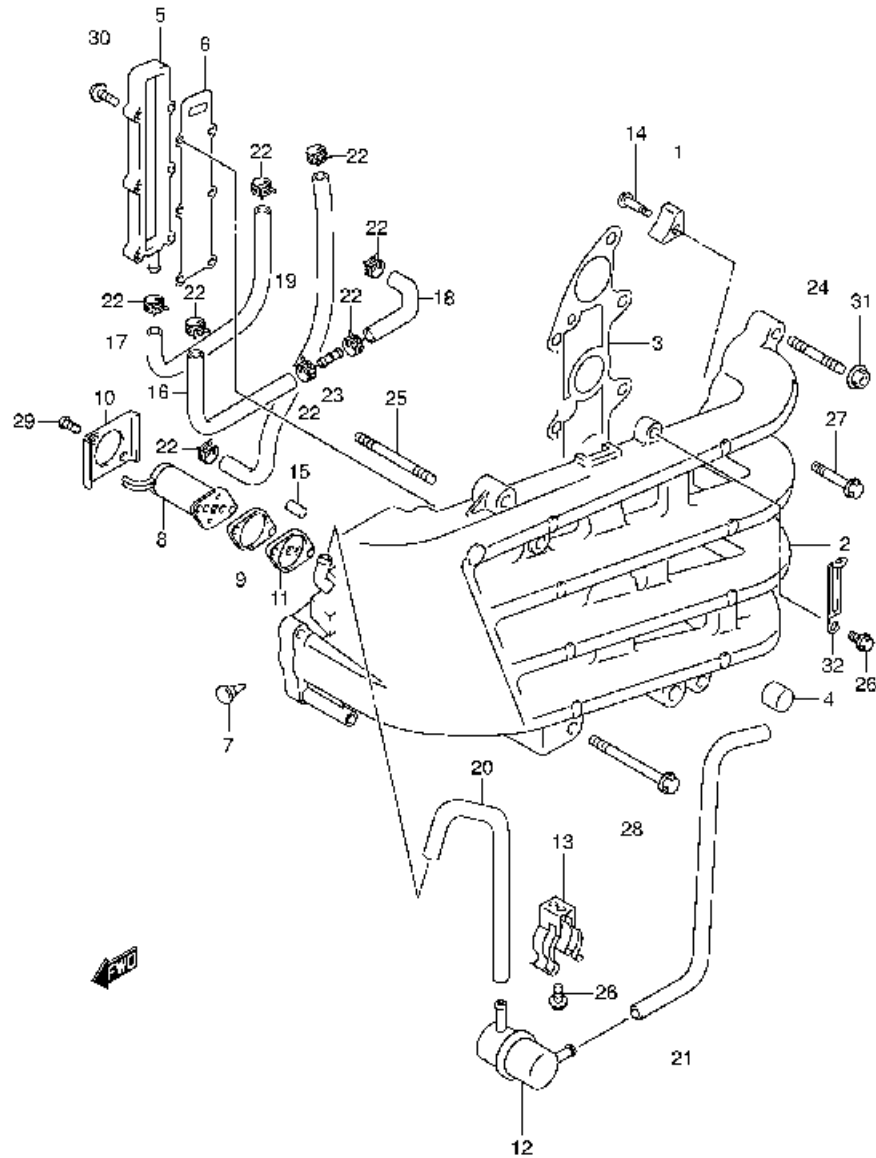
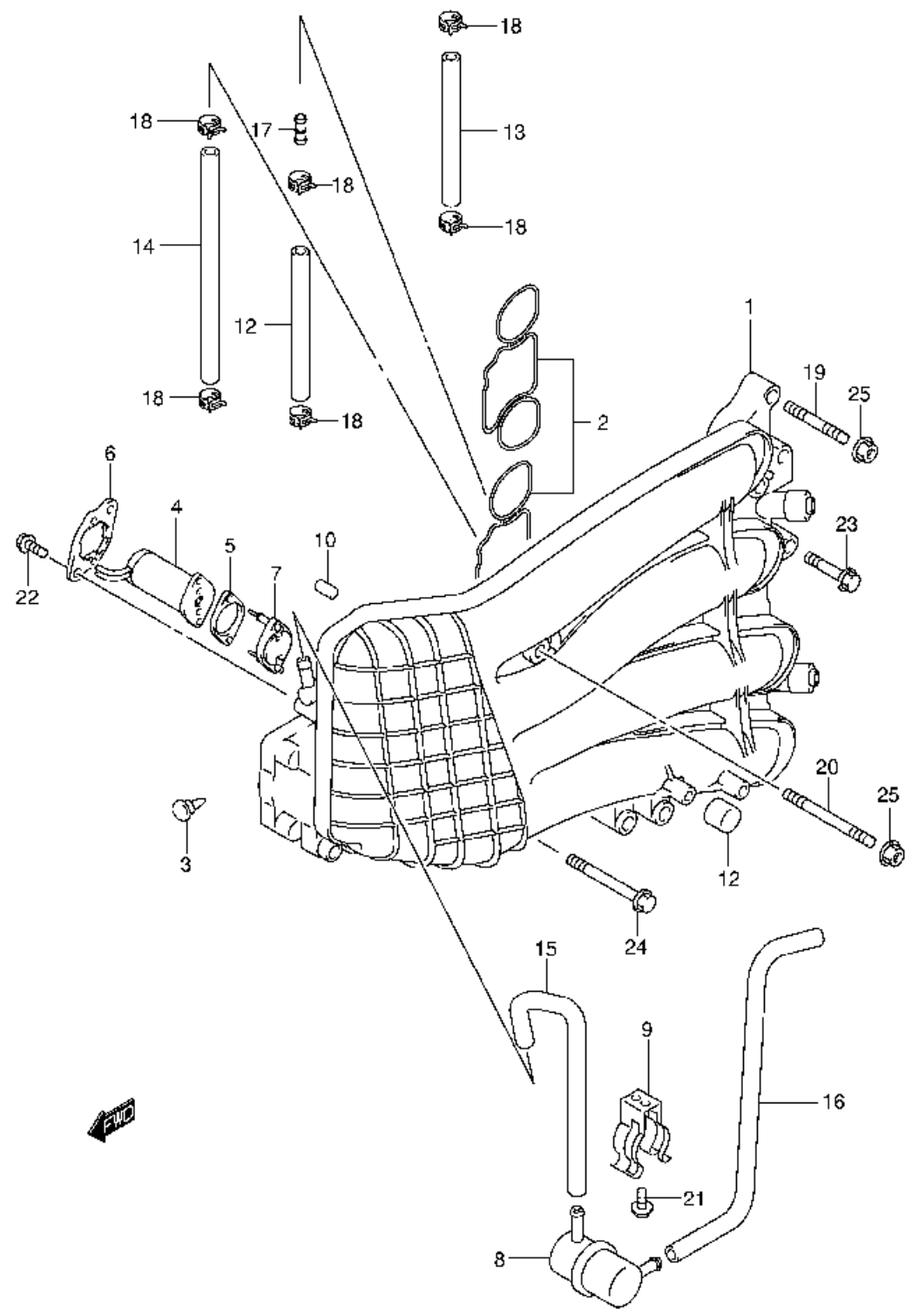


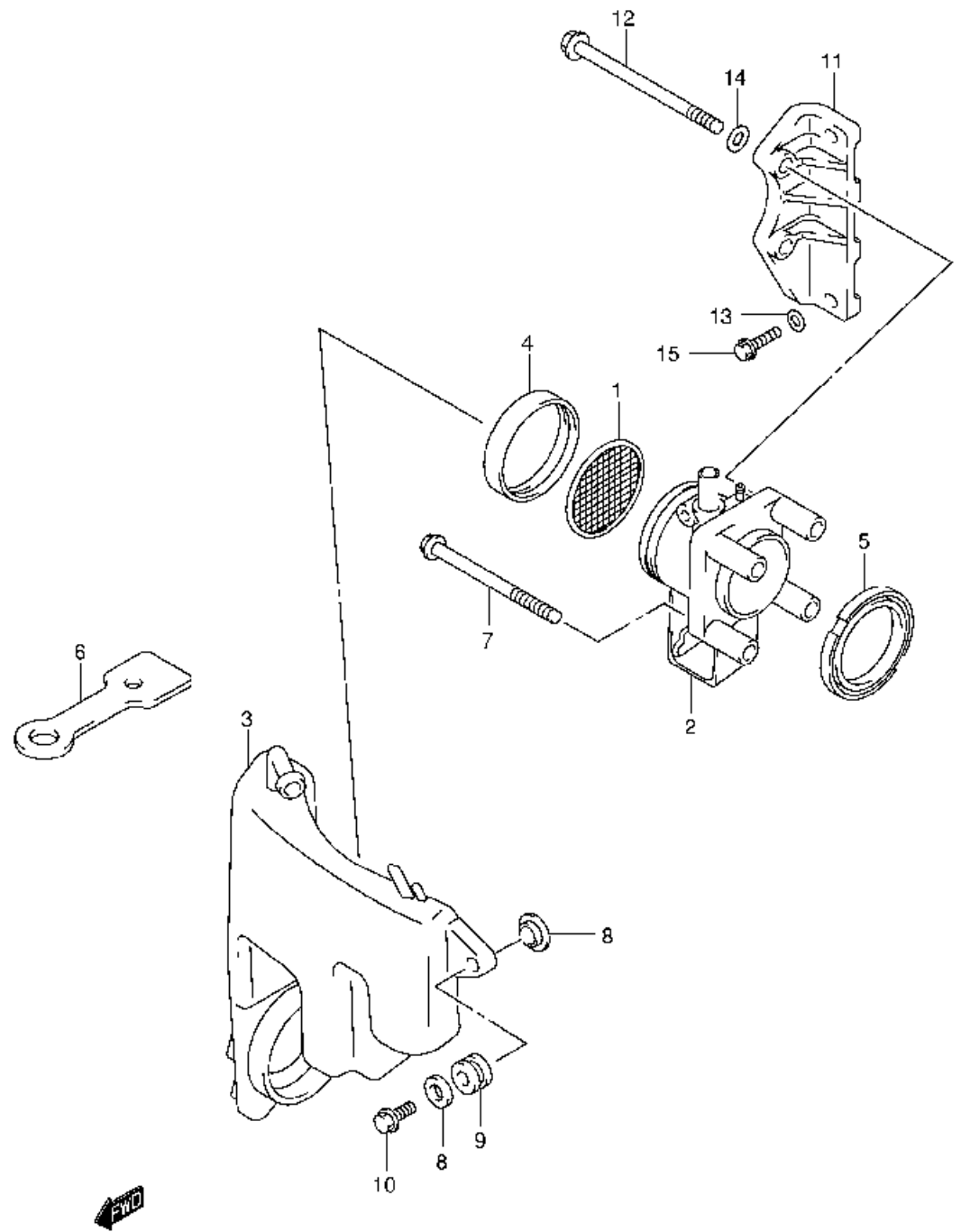
FIG10 INLET MANIFOLD (DF70 MODEL:01)

N° Réf.	N° Pièce	Désignation
1	11281-04400	Protection, Anode
2	13110-99E20	Manifold, Inlet
3	13119-99E00	Gasket, Inlet Manifold
4	09329-12004	Cushion
5	13140-99E00	Cover, Inman
6	13145-99E01	Gasket, Inman Cover
7	13350-99E00	Screw, Bypass Air
8	13450-99E00	Valve, Iac
9	13452-61A00	Flange
10	13453-61A00	Holder
11	13451-99E00	Seal, Rubber
12	18145-84380	Silencer, Iac Valve
13	18146-84380	Clamp, Silencer
14	09128-06005	Screw, (Back)
15	09202-07001	Pin, Dowel
16	09352-50903-600	Hose (2 Way To Inman)
17	09352-50903-600	Hose (Inman To Sep)
18	09352-50903-600	Hose (holder To 2 Way)
19	09352-50903-600	Hose (vs. To Oil Pan)
20	09352-70121-600	Hose (silencer To Valve)
21	09352-70121-008	Hose, Silencer
22	09401-08411	Clip
23	09364-06005	2 Way
24	01421-08357	Bolt, Stud
25	01421-08457	Bolt, Stud
26	01550-06127	Bolt
27	01550-08407	Bolt
28	01550-08757	Bolt
29	02112-05187	Screw
30	01560-06257	Bolt
31	08318-10987	Nut
32	09404-06432	Clamp

DF50 70 E01 010
INLET MANIFOLD



N° Réf.	N° Pièce	Désignation
1	13110-99E10	Manifold, Intake
2	13119-99E10	Gasket, Intake Manifold
3	13350-99E00	Screw Set, Air Bypass
4	13450-99E00	Solenoid, Iac
5	13451-99E11	Seat, Rubber Iac
6	13452-99E11	Flange, Iac
7	13453-99E10	Holder, Iac
8	18145-94390	Silencer, Iac Valve
9	18146-87J00	Clamp, Iac Silencer
10	09202-07001	Pin
11	09329-12004	Cushion
12	09352-50903-600	Hose (2 Way To Sep)
13	09352-50903-600	Hose (holder To 2 Way)
14	09352-50903-600	Hose (sep To Oilpan)
15	09352-70121-600	Hose (oil To Valve)
16	09352-70121-008	Hose (Iac To Sil)
17	09364-06005	Union, 2 Way
18	17814-90J00	Clip
19	01421-08357	Bolt, Stud
20	01421-08457	Bolt, Stud
21	01550-06127	Bolt
22	01550-06167	Bolt
23	01550-08407	Bolt
24	01550-08737	Bolt
25	08316-10087	Nut



N° Réf.	N° Pièce	Désignation
1	13710-99E00	Arrester, Flame
2	13811-99E00	Silencer
3	13812-99E01	Cover, Silencer
4	13813-99E01	Holder, Flame Arrester
5	13851-99E01	Seal, Silencer
6	13816-99E00	Band, Silencer Cover
7	09103-08165	Bolt (8x105)
8	09103-08165	Bolt (8x105)
9	09169-06087	Washer
10	09320-09039	Cushion
11	01550-06257	Bolt
12	13822-99E00	Bracket, Silencer
13	09103-08006	Bolt (8x125)
14	09169-06084	Washer (6.5x18x1.6)
15	09169-08016	Washer (8.5x20x2.0)
16	01550-06257	Bolt

FIG13 FUEL VAPOR SEPARATOR

N° Réf.	N° Pièce	Désignation
1	15600-99E00	Separator, Fuel Vapor
2	15650-99E00	- Float
3	15654-99E00	- Pin
4	13370-99E00	- Valve, Needle
5	02112-04083	- Screw
6	13373-39110	- Plate
7	15644-99E00	- Hose, Drain
8	15627-99E00	- Screw (Ø70)
9	15628-99E00	- Screw (Ø15)
10	15629-99E10	- Screw, Drain
11	15641-99E00	- Filter, Fuel Pump
12	02112-05103	- Screw
13	15626-99E00	- O Ring
14	15648-87320	Protector
15	09169-06067	Washer
16	09320-09039	Caution Hose
17	09355-35755-600	Hose
18	09401-06405	Clip
19	02162-06257	Bolt
20	09493-20020	Jet, Evap Hose

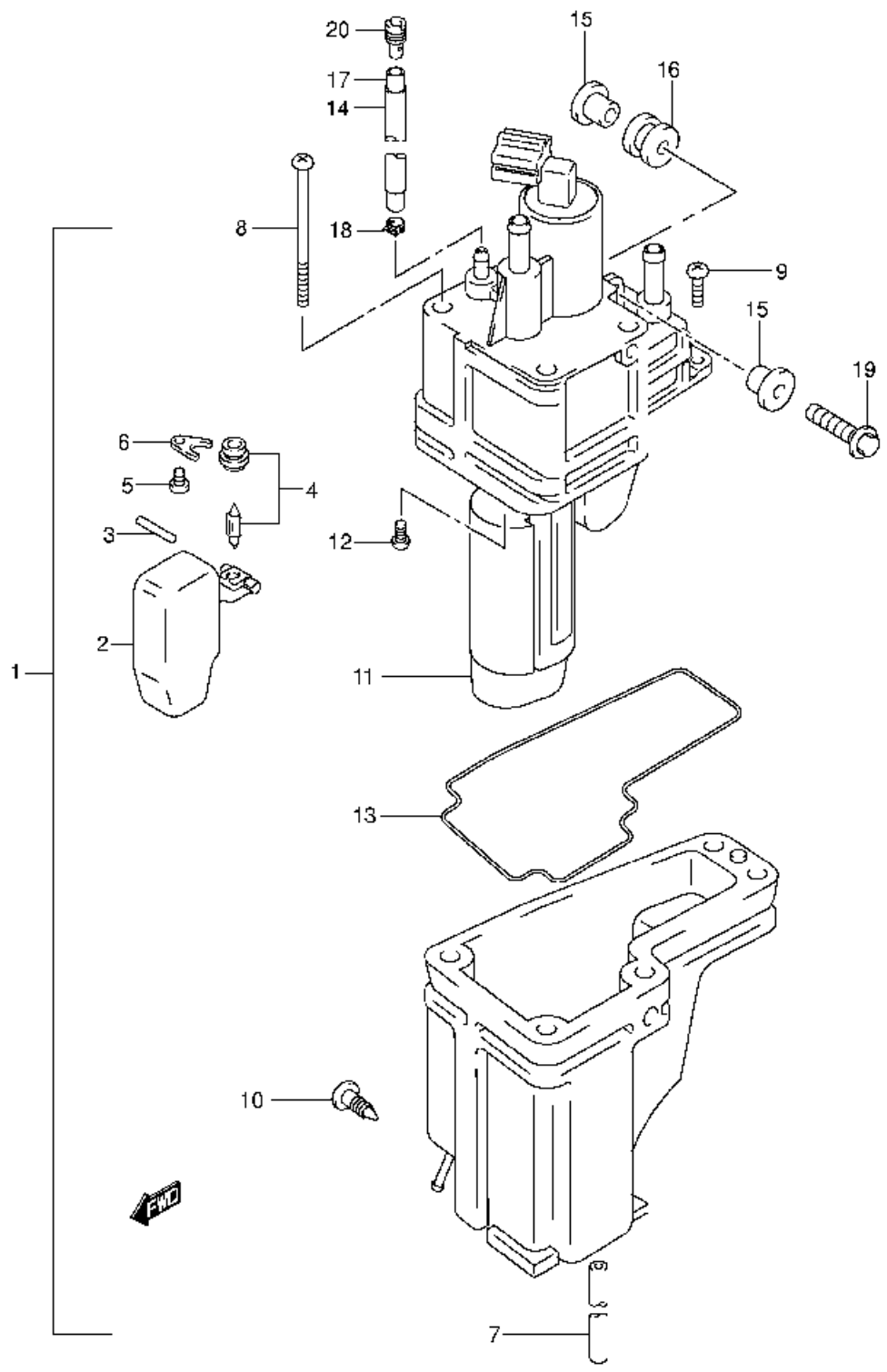
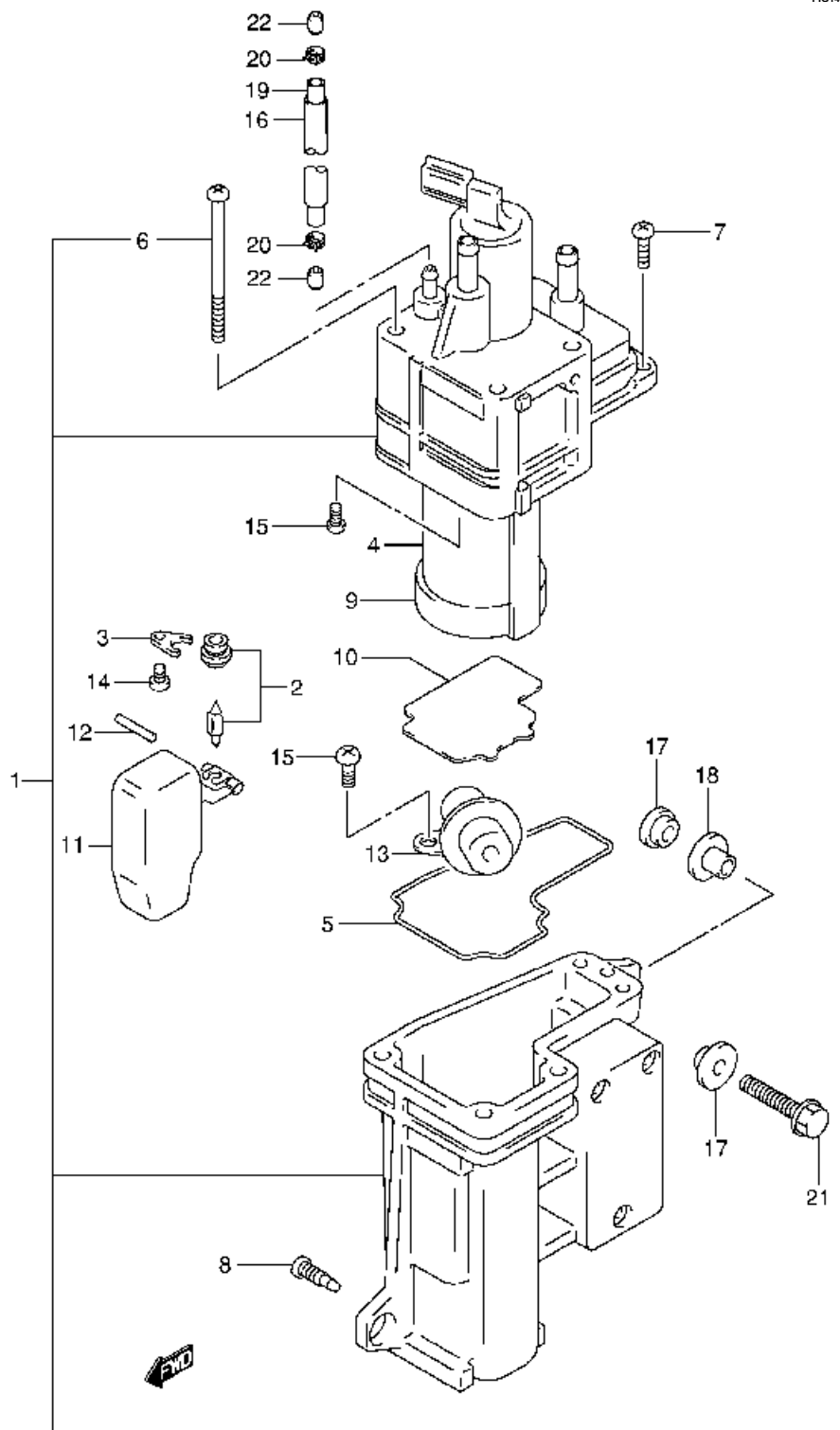


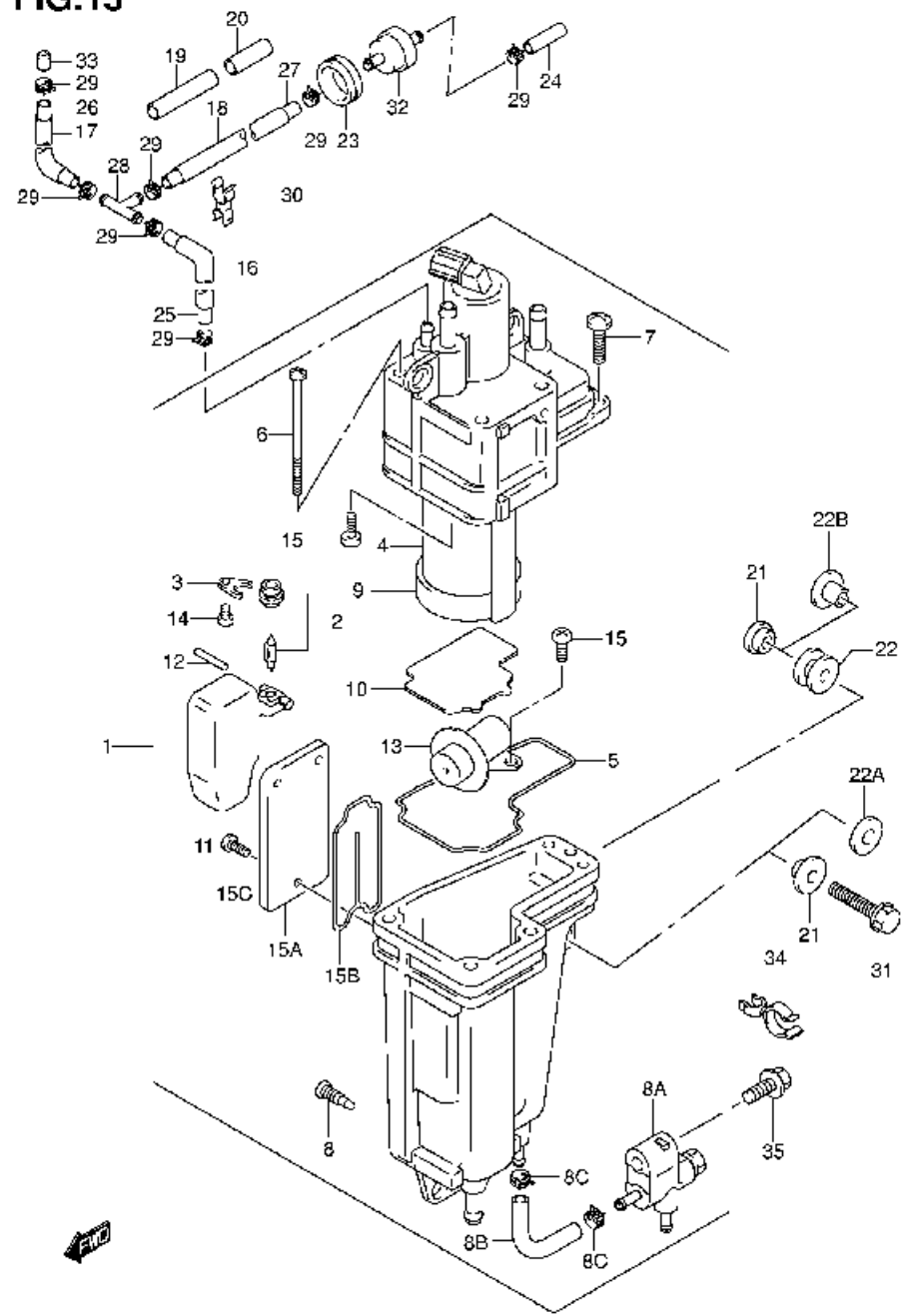
FIG14 FUEL VAPOR SEPARATOR (*)



N° Réf.	N° Pièce	Désignation
1	15600-99E12	Separator, Fuel Vapor
2	13370-99E00	- Valve, Needle
3	13373-39110	- Plate
4	15200-87J10	- Pump
5	15620-99E00	- O Ring
6	15627-99E00	- Screw (0.70)
7	15629-99E00	- Screw (0.15)
8	15629-99E10	- Screw, Drain
9	15641-99E00	- Filter, Fuel Pump
10	15642-99E10	- Plate
11	15650-99E00	- Flare
12	15654-99E00	- Pin
13	15766-87J00	- Regulator
14	02112-04983	- Screw
15	02112-05103	- Screw
16	15498-87J00	Protector (0.450)
17	09169-56067	Washer
18	06320-09039	Cushion
19	09352-50923-600	Hose
20	09401-08409	Clip
21	01559-06357	Bolt
22	15661-99E00	Jet, Evap Hose

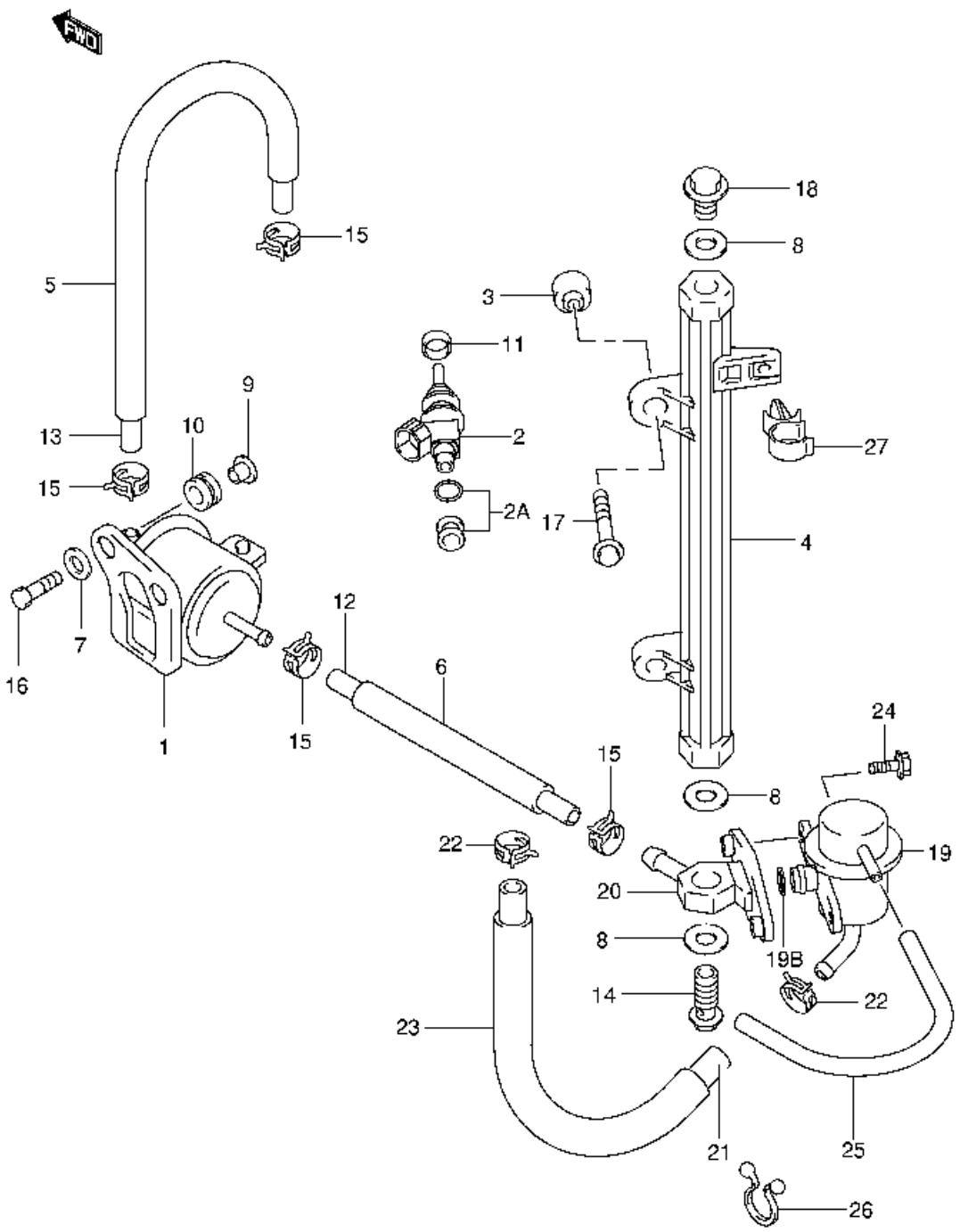
N° cliché Titre du cliché
FIG15 FUEL VAPOR SEPARATOR (DF60,70 MODEL:01-08)

FIG.15

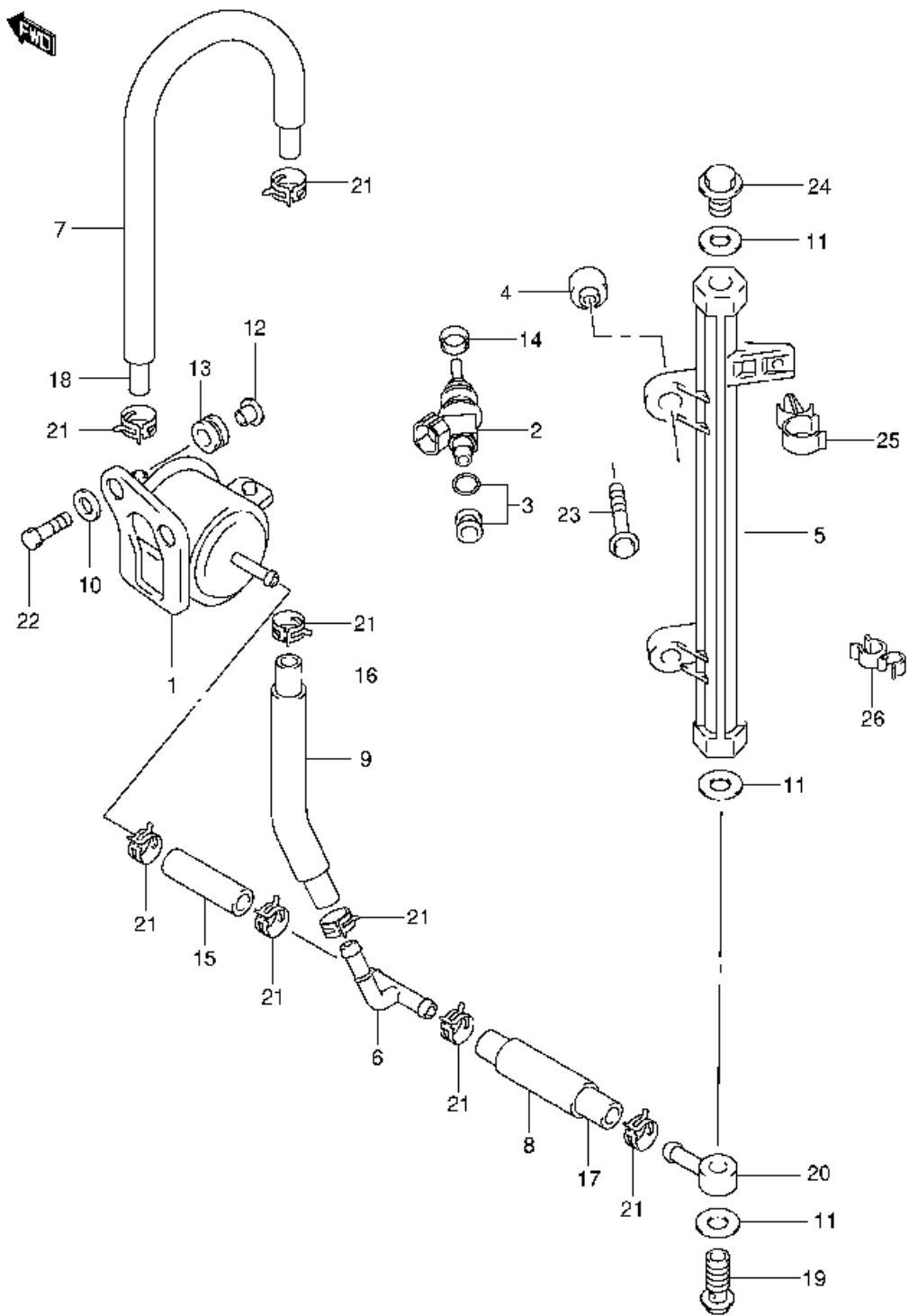


N° Réf.	N° Pièce	Désignation
1	15600-99E21	Separator, Fuel Vapor
1	15600-99E22	Separator, Fuel Vapor
1	15600-99E30	Separator, Fuel Vapor
1	15600-99E31	Separator, Fuel Vapor
2	13370-99E00	• Valve, Needle
2	13370-99E10	• Valve, Needle
3	13373-39110	• Plate
3	13373-99E10	• Plate
4	15200-87J10	• Pump
4	15200-87J20	• Pump
5	15626-99E00	• O Ring
5	15626-99E10	• O Ring
6	15627-99E00	• Screw (3/70)
7	15629-99E00	• Screw (3/15)
8	15629-99E10	• Screw, Drain
8a	15648-99E00	• Body, Drain
8b	15683-99E00	• Hose, Drain
8c	15686-99E00	• Clip
9	15641-99E00	• Filter, Fuel Pump
9	15641-99E10	• Filter, Fuel Pump
10	15642-99E10	• Plate
10	15642-99E20	• Plate
11	15650-99E00	• Float
12	15654-99E00	• Pin
13	15760-87J00	• Regulator
14	02112-0408A	• Screw
14	13614-89J00	• Screw
15	02112-0510A	• Screw
15	15631-99E10	• Screw
15a	15612-99E00	• Cover, Separator
15b	15613-99E00	• O Ring
15c	15614-99E00	• Screw
16	18498-87J00	Protector (I:450)
17	18498-87J00	Protector (I:450)
18	18498-99E00	Protector (I:760)
19	18498-87J00	Protector (I:450)
20	18498-87J00	Protector (I:450)
21	09169-06067	Washer
21	09169-06067	Washer
22	09320-09039	Cushion
22	09320-09039	Cushion
22a	09160-06084	Washer (plane)
22b	09169-06075	Washer
23	09320-20036	Cushion
24	09352-50823-600	Hose
25	09352-50823-600	Hose
26	09352-50823-600	Hose
27	09352-50823-00B	Hose
28	09367-06002	3 Way
29	17813-90J00	Clip
30	09408-00126	Clamp
31	01550-06257	Bolt
31	09116-06032	Bolt (w/washer)
32	15410-88500	Filter
33	15661-99E00	Jet, Evap Hose
33	09463-20020	Jet, Evap Hose (d:1.0,od:4.0)
34	09408-00070	Clamp
35	01550-06167	Bolt

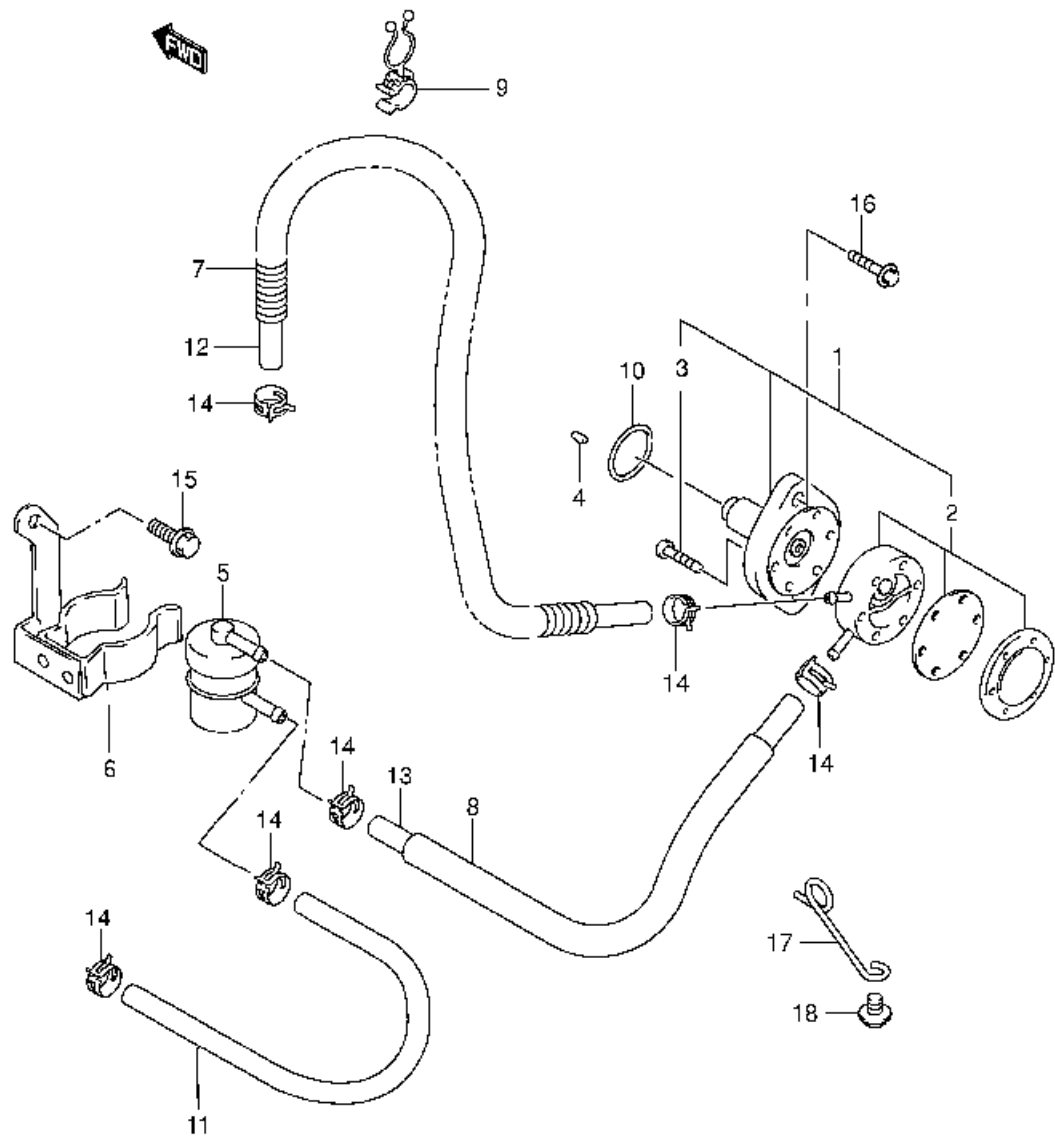
DF50 70 E01 015
 FUEL VAPOR SEPARATOR



N° Réf.	N° Pièce	Désignation
1	15440-99E01	Filter, High Pressure Fuel
2	15710-99E00	Injector, Fuel
2a	15716-58870	* Grommet Set
3	15735-58800	Insulator, Delivery Pipe
4	15751-99E00	Pipe, Delivery
5	18498-99E20	Protector, Fuel Hose
6	18498-99E20	Protector, Fuel Hose
7	09169-06084	Washer (5.5x10x1.6)
8	09168-12013	Gasket (11.8x22x1.2)
9	09169-06082	Washer
10	09320-08001	Cushion
11	09320-08082	Cushion
12	09356-75137-600	Hose (filter To Pipe)
13	09356-75137-600	Hose (bump To Filter)
14	09360-12008	Bolt, Union
15	09401-11414	Clip
16	01500-06257	Bolt
17	01550-08407	Bolt
18	01550-12187	Bolt
19	15610-51E10	Regulator Assy, Fuel Pressure
19B	15710-51E10	* O Ring
20	15765-99E00	Adapter
21	09356-58127-600	Hose (pr To Vis)
22	09401-15009	Clip
23	18498-99E10	Protector, Fuel Hose
24	01550-06127	Bolt
25	09355-35755-600	Hose (pr Release)
26	09408-00008	Clamp
27	09400-07008	Clamp



N° Réf.	N° Pièce	Désignation
1	15440-99E01	Filter, High Pressure Fuel
1	15440-99E10	Filter, High Pressure Fuel
1	15440-99E11	Filter, High Pressure Fuel
2	15710-99E00	Injector, Fuel
2	15710-99E00	Injector, Fuel
3	15715-99B70	- , Grommet Set
3	15715-65D70	- , Grommet Set
4	15735-58B00	Insulator, Delivery Pipe
4	15735-64B00	Insulator, Delivery Pipe
5	15751-99E00	Pipe, Delivery
6	15830-99E00	Union, 3 Way
7	18498-99E20	Protector, Fuel Hose (I450)
8	18498-99E20	Protector, Fuel Hose (I450)
9	18498-99E20	Protector, Fuel Hose (I450)
10	09160-96084	Washer (6.5x19x1.6)
11	09169-12013	Gasket (11.8x22x1.2)
11	15762-90J00	Gasket (11.8x22x1.2)
12	09169-06062	Washer
13	09320-98091	Cushion
14	09320-98062	Cushion
15	09356-75137-600	Hose (Filter To 3 Way)
16	09356-75137-600	Hose (3 Way To Separator)
17	09356-75137-600	Hose (3 Way)
18	09356-75137-600	Hose (pump To Filter)
19	09360-12008	Bolt, Union
19	09360-12013	Bolt, Union
20	09363-08004	Union
20	15830-90J00	Union
21	17822-90J00	Clip
22	01500-06257	Bolt
22	09116-99002	Bolt (w/washer)
23	01550-08407	Bolt
23	01550-08257	Bolt
24	01550-12187	Bolt
24	02247-12013	Bolt
25	09403-07308	Clamp
26	09408-00157	Clamp



N° Réf.	N° Pièce	Désignation
1	15100-99E00	Pump, Fuel
1	15100-99E10	Pump, Fuel
2	15170-99E00	- Diaphragm Set
2	15170-99E10	- Diaphragm Set
3	15251-93E00	- Screw
4	15131-99E00	Box, Fuel Pump
5	15410-87J10	Filter, Fuel
5	15410-87J20	Filter, Fuel
6	15420-99E01	Bracket, Fuel Filter
7	16919-99E10	Protector, Fuel Hose (440)
8	19498-99E10	Protector, Fuel Hose (610)
9	34980-60B00	Clamp, Fuel Hose
10	06286-26005	O Ring (22.4x26.2)
11	15191-99E00	Hose (conn To Filter)
11	15191-99E10	Hose (conn To Filter)
12	09355-70129-00B	Hose (pump To Separator)
12	09355-70129-00B	Hose (pump To Separator)
13	09355-70129-00B	Hose (filter To Pump)
13	09355-70129-00B	Hose (filter To Pump)
14	17818-90J00	Clip
15	01550-06127	Bolt
16	01550-06257	Bolt
17	60790-99E00	Holder, Fuel Hose
18	09248-10008	Bolt (10x7.5)

FIG.18A

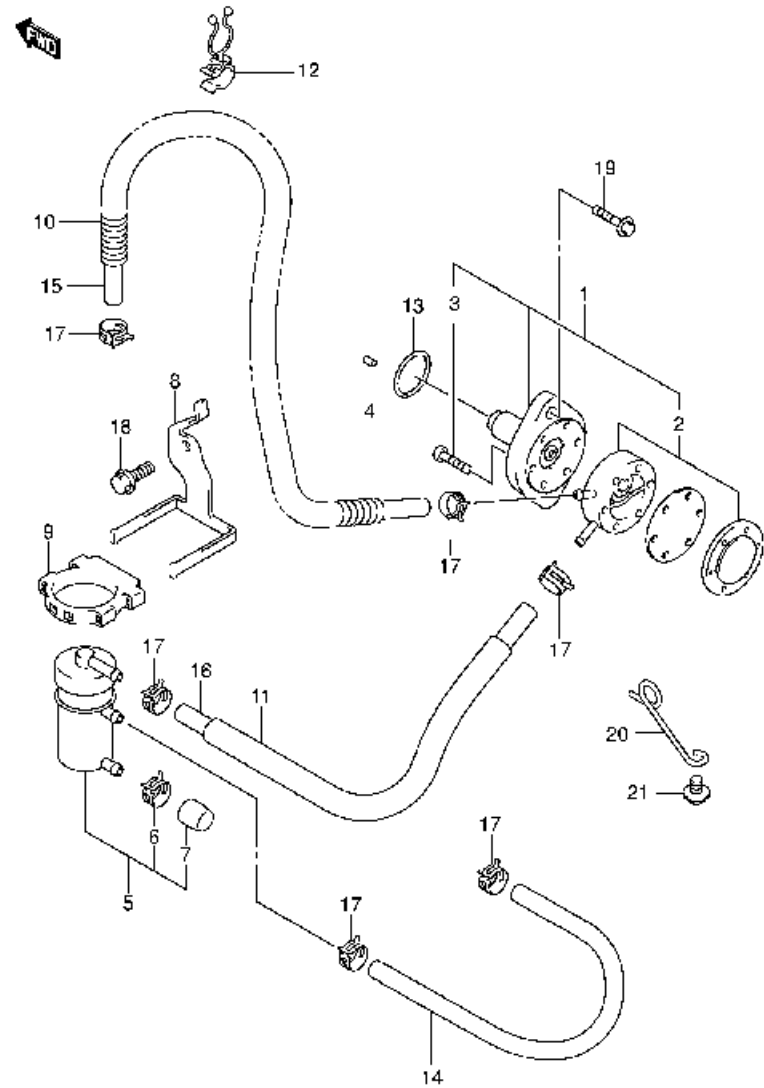
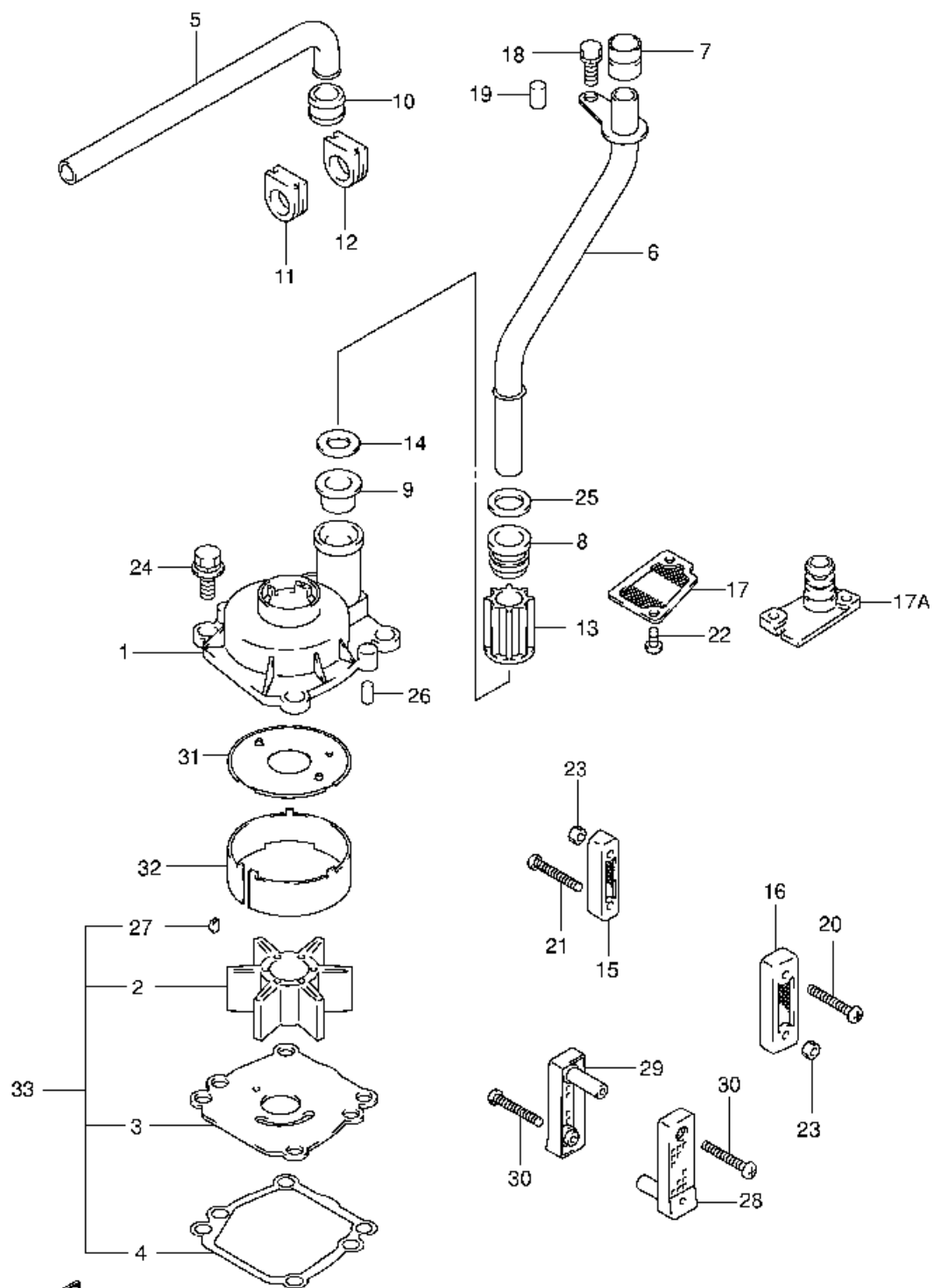


FIG18A FUEL PUMP (MODEL:07-08)

N° Réf.	N° Pièce	Désignation
1	15100-99E0V	Pump, Fuel
1	15100-99E1V	Pump, Fuel
2	15170-99E0V	- Diaphragm Set
2	15170-99E1V	- Diaphragm Set
3	15251-93E00	- Screw
4	15131-99E00	Box, Fuel Pump
5	15410-87J30	Filter, Fuel
6	15419-87J00	- Clip, Fuel Filter
7	17818-90J00	- Clip
8	15421-99E20	Bracket, Fuel Filter
9	15422-96J00	Clamp, Fuel Filter
10	16919-99E10	Protector, Fuel Hose (440)
11	16488-99E10	Protector, Fuel Hose (610)
12	34980-60B00	Clamp, Fuel Hose
13	09280-29005	O Ring (ø2.4, Jø26.2)
14	15191-99E00	Hose (corn To Filter)
14	15191-99E10	Hose (corn To Filter)
15	09355-70125-00B	Hose (pump To Separator)
15	09355-70129-00B	Hose (pump To Separator)
16	09355-70125-00B	Hose (filter To Pump)
16	09355-70129-00B	Hose (filter To Pump)
17	17818-90J00	Clip
18	01550-08127	Bolt
19	01550-06297	Bolt
20	66793-99E00	Holder, Fuel Hose
21	09248-10008	Bolt (10x7.5)

DF60 70 E01 018A
FUEL PUMP

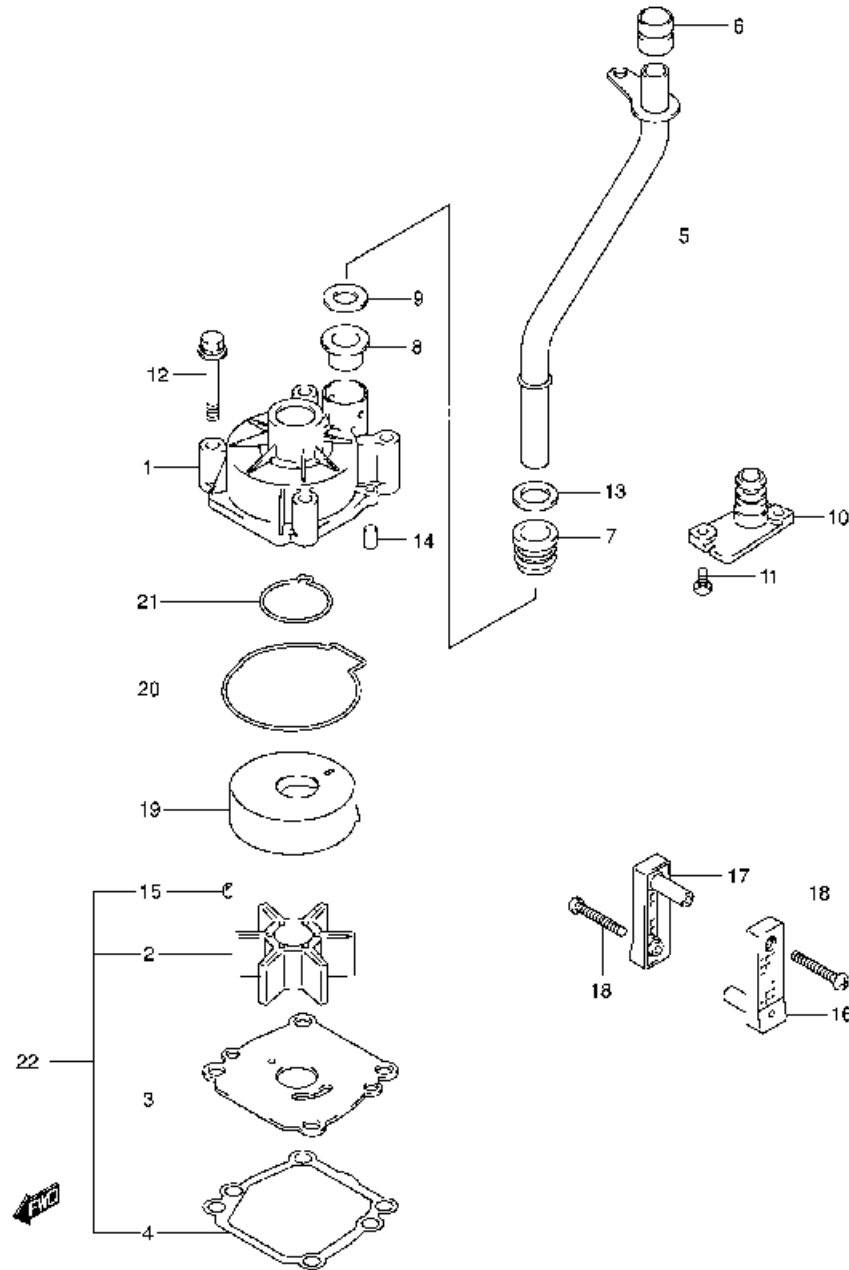


N° Réf.	N° Pièce	Désignation
1	17411-87E02	Case, Water Pump
1	17411-87E10	Case, Water Pump
2	17461-87E11	Impeller, Water Pump
3	17471-87E01	Panel, Pump Case Under
3	17471-87E10	Panel, Pump Case Under
4	17472-87E10	Gasket, Pump Case
5	17521-87E01	Tube, Water Sub
6	17560-99E00	Tube, Water (l)
6	17560-99E10	Tube, Water (r)
7	17562-87D00	Bush, Water Tube Upper
8	17563-87D00	Bush, Water Tube Lower
9	17564-87D00	Bush, Water Pump Case
10	17566-87D01	Bush, Sub Water Tube
11	17566-87D00	Grommet
12	17567-87D00	Grommet
13	17611-87D00	Spacer, Water Tube Upper (x)
14	17612-87D00	Spacer, Water Tube
15	17631-87E00	Filter, Water Port
16	17632-87E00	Filter, Water Stbd
17	17633-87E00	Filter, Water Sub
17A	17633-90J00	Plug, Sub Water Tube
18	09117-06030	Bolt (6x16)
19	09202-07001	Pin
20	09125-04016	Screw (4x35)
21	09125-04023	Screw (4x30)
22	09125-05046	Screw (5x12)
23	09140-04007	Nut
24	09117-08057	Bolt (8x25)
25	09161-15005	Washer (15.8x26x1.0)
26	09202-96031	Pin
27	09420-04009	Key
28	17631-90J00	Filter, Water Port
29	17632-90J00	Filter, Water Stbd
30	03112-04003	Screw
30	09132-04034	Screw
31	17412-99E00	Panel, Pump Case Upper
32	17413-99E00	Sleeve, Water Pump
33	17400-87E03	Kit, Water Pump Repair

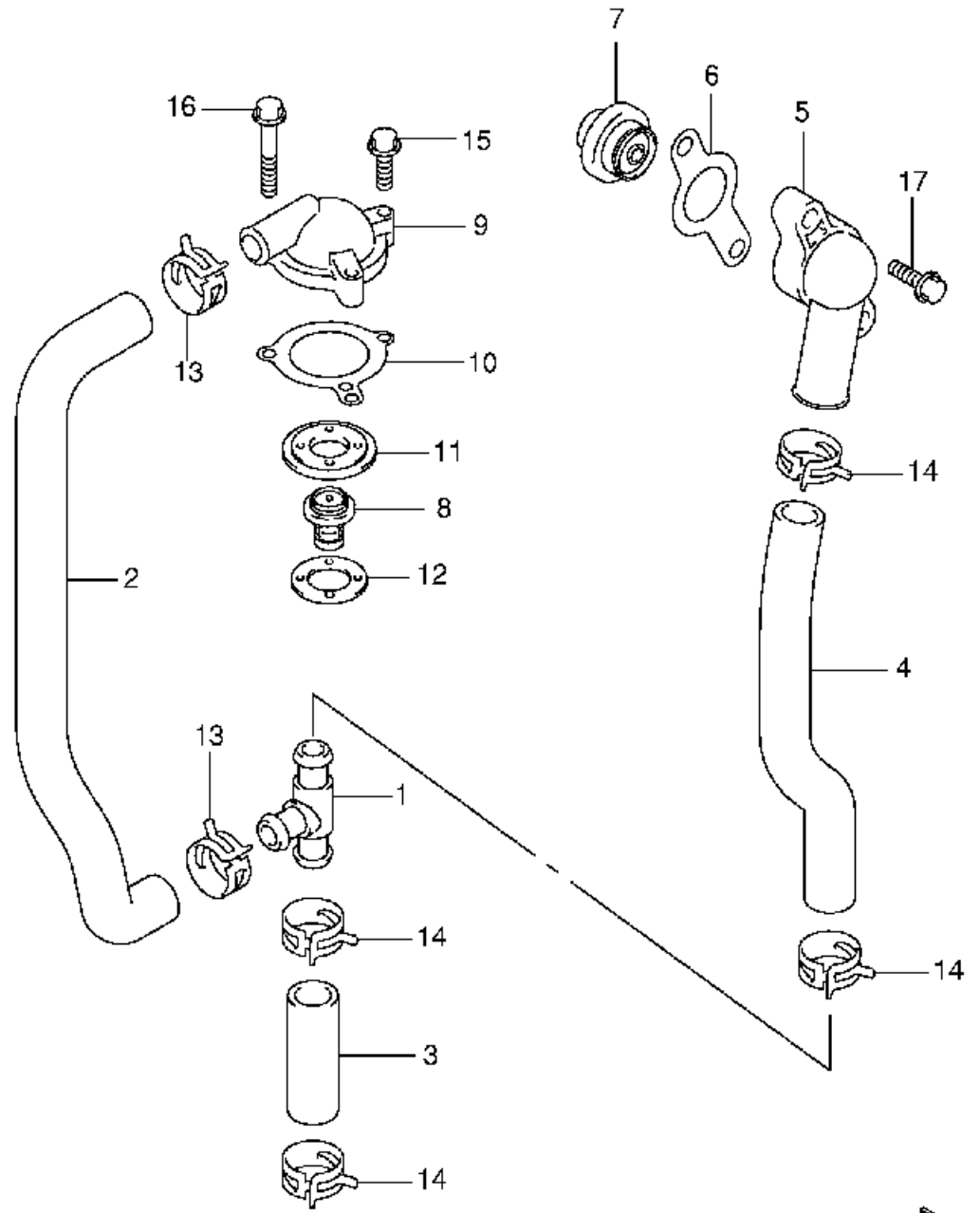


FIG.19A

N° d'origine		Titre du cliché.	
N° Réf.	N° Pièce	Designation	
1	17410-99E00	Case, Water Pump	
2	17461-87E12	Impeller, Water Pump	
3	17471-99E00	Panel, Pump Case Under	
3	17471-99E10	Panel, Pump Case Under	
4	17472-87E10	Gasket, Pump Case	
5	17560-99E01	Tube, Water (l)	
5	17560-99E11	Tube, Water (r)	
6	17562-87D00	Bush, Water Tube Upper	
7	17563-87D00	Bush, Water Tube Lower	
8	17564-87D00	Bush, Water Pump Case	
9	17912-87D00	Spacer, Water Tube	
10	17835-90J00	Plug, Sub Water Tube	
11	09125-09A06	Screw (5x12)	
12	29116-95J10	Bolt (6x5)	
13	09161-16008	Washer (15.8x26x1.0)	
14	05202-06031	Pin	
15	09420-04009	Key	
16	17831-90J00	Filter, Water Port	
17	17832-90J00	Filter, Water Sbd	
18	09132-04034	Screw	
19	17413-99E10	Sleeve, Water Pump	
19	17413-99E20	Sleeve, Water Pump	
20	17416-99E00	Sealing No.1	
21	17417-99E00	Sealing No.2	
22	17400-99E01	Kit, Water Pump Repair	



DF50 70 E01 019A
WATER PUMP



N° Réf.	N° Pièce	Désignation
1	11195-99E00	3 Way
2	11196-99E00	Hose, Water Return 1
3	11197-99E00	Hose, Water Return 2
4	11198-99E00	Hose, Water Return 3
5	17611-99E00-019	Cover, Pressure Valve (black)
6	17611-99E00	Cover, Pressure Valve
7	17616-99E01	Gasket, Pressure Valve Cover
8	17660-99E01	Valve, Water Pressure
8	17670-93962	Thermostat (523c)
8	17670-94402	Thermostat (603c)
8	17670-94402	Thermostat (603c)
8	17670-87200	Thermostat (723c)
9	17681-99E01-019	Cover, Thermostat (black)
9	17681-99E01	Cover, Thermostat
10	17686-99E00	Gasket, Thermostat Cover
11	17686-99E01	Stopper, Thermostat Upper
12	17687-99E01	Stopper, Thermostat Lower
13	17833-90J00	Clip
14	17834-90J00	Clip
15	01550-06257	Bolt
16	01550-06457	Bolt
17	01550-08307	Bolt



FIG.21

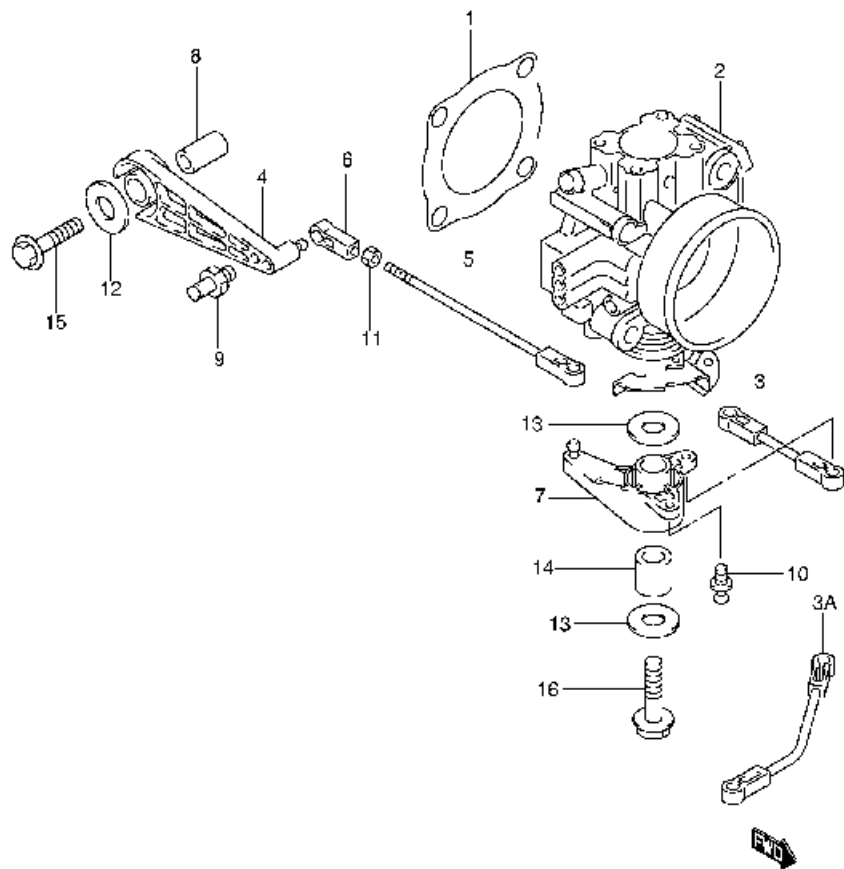
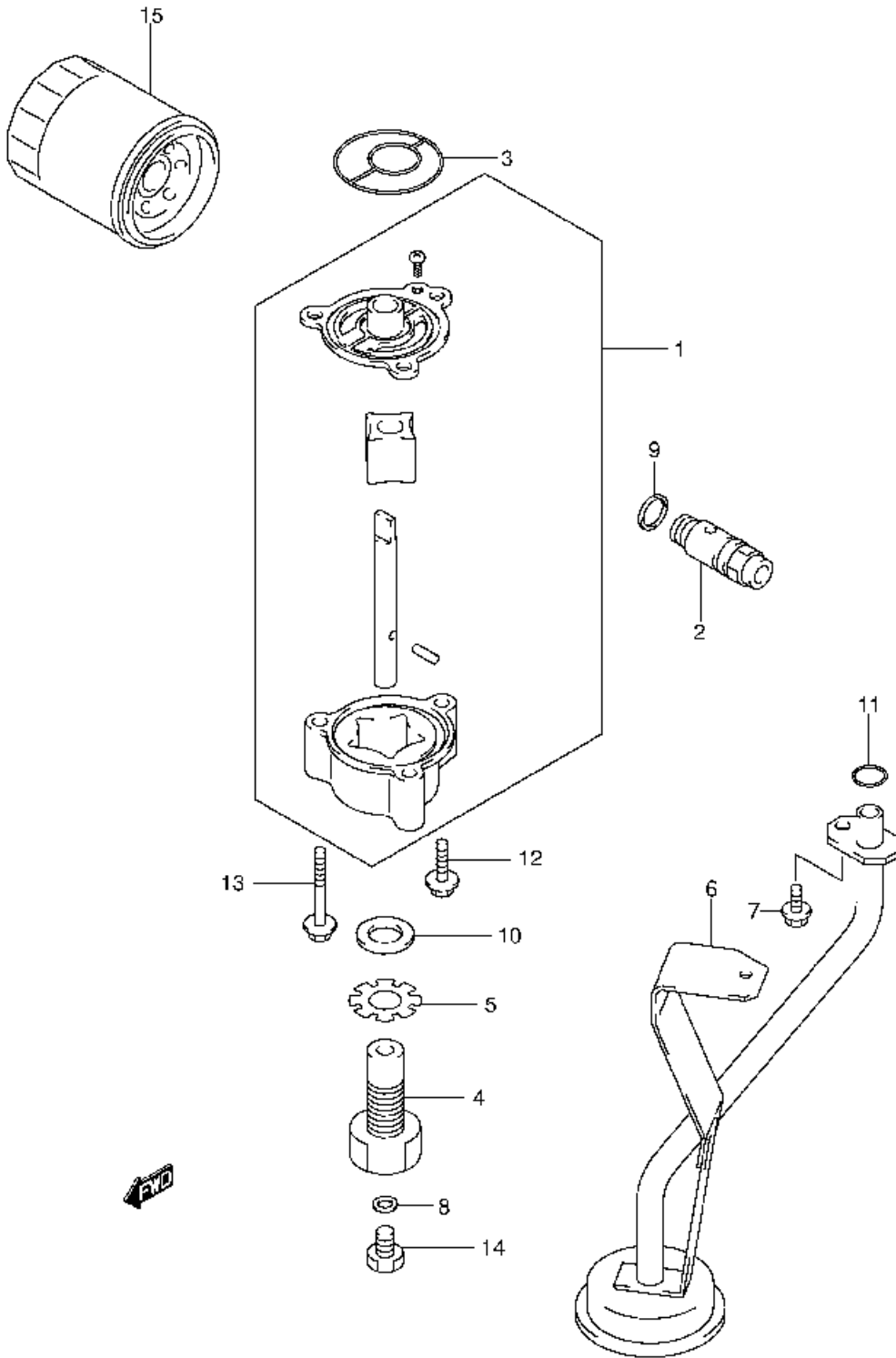


FIG21 THROTTLE BODY

N° Réf.	N° Pièce	Désignation
1	13125-99E00	Gasket, Throttle Body
1	13125-99E10	Gasket, Throttle Body
2	13300-99E00	Body, Throttle
2	13300-99E01	Body, Throttle
2	13300-99E10	Body, Throttle
3	13510-99E10	Rod, Throttle
3a	13510-99E11	Rod, Throttle
4	19122-99E01	Lever, Interlink Throttle
5	19130-99E00	Rod, Throttle
6	19131-95502	Connector
7	19146-99E00	Lever, Throttle
8	19174-99E00	Pivot, Throttle Lever
9	67473-89A00	Piv, Remocion Connector
10	09119-05010	Pivot
11	09140-05005	Nut
12	09160-05054	Washer (8.5x22x1.6)
13	09160-08130	Washer (8.5x24x1.6)
14	09160-08150	Spacer
15	01550-96007	Bolt
16	01550-98357	Bolt

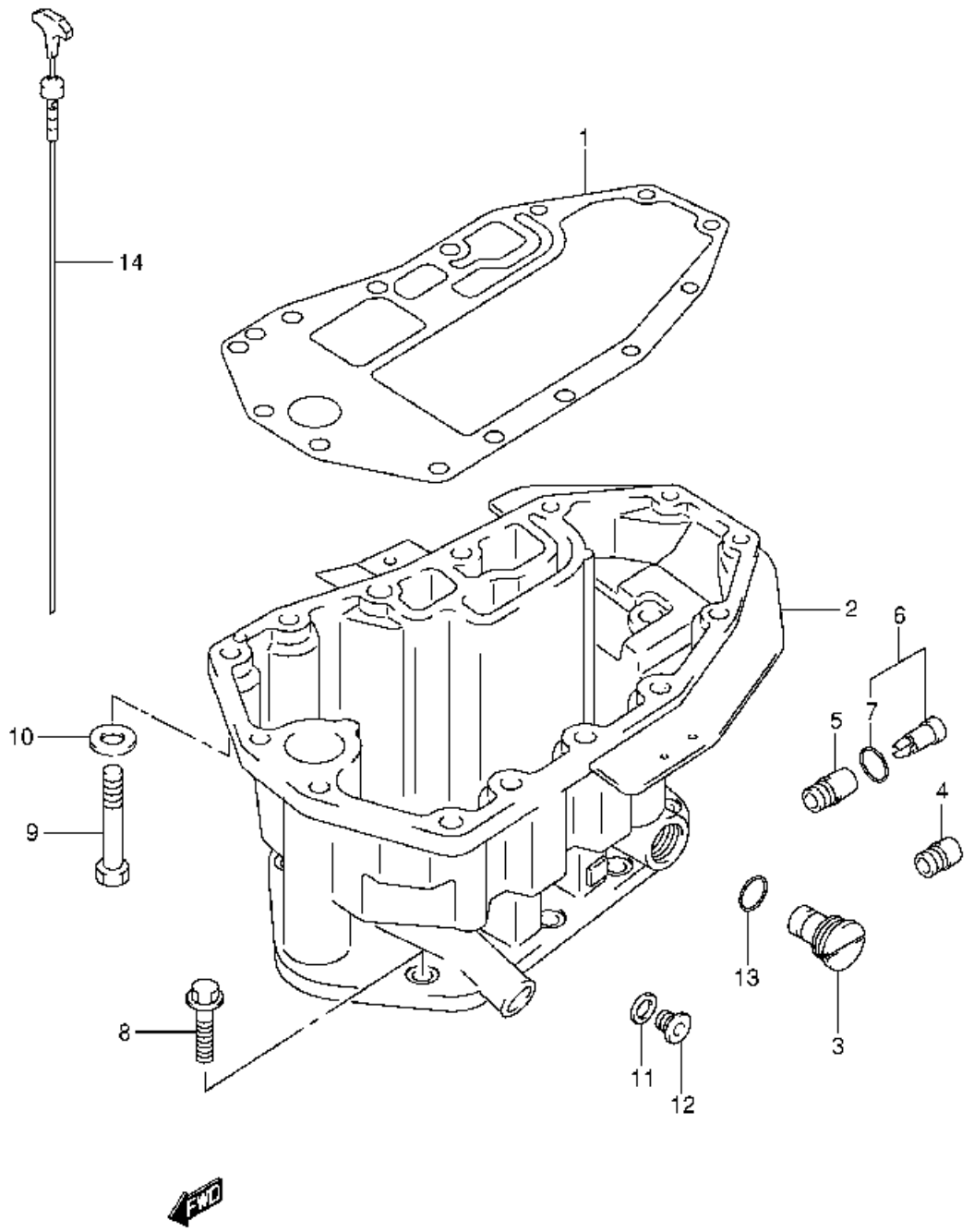
DF60 70 E01 021
THROTTLE BODY-C



OIL PUMP

N° Réf.	N° Pièce	Désignation
1	16400-99E00	Pump Assy, Oil
2	16440-99E00	Valve, Oil Relief
3	16451-99E00	O Ring
4	16461-99E00	Stopper, Oil Pump
5	16466-99E00	Washer, Oil Pump Stopper
6	16500-99E00	Strainer, Oil
7	09116-06160	Bolt (6x16)
8	09168-08016	Gasket (8.2x14x1.0)
9	09168-16002	Gasket (16x22x2.0)
10	09168-16003	Gasket (16x22x2.0)
11	09290-14011	O Ring (42.5x13.8)
12	01547-06257	Bolt
13	01547-06507	Bolt
14	01550-08127	Bolt
15	16510-87J00	Filter Assy, Oil



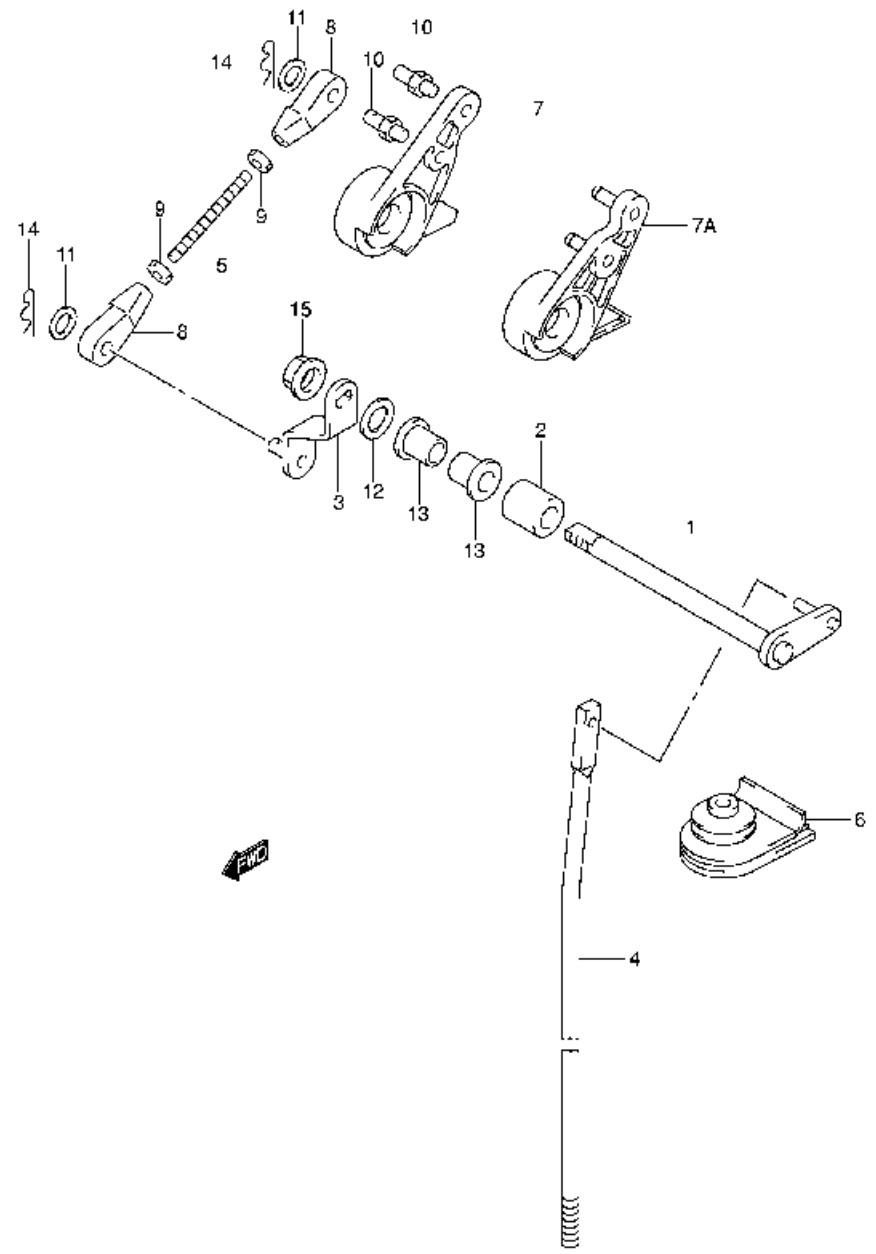


N° Réf.	N° Pièce	Désignation
1	11489-99E01	Gasket, Oil Pan
2	11500-99E01-019	Pan, Oil (black)
3	17913-99E11	Plug, Water
4	43112-99E00	Pipe, Exhaust
5	61155-99E01	Tube, Water Indicator
6	61155-99E00	Cover, Water Indicator Tube
7	09280-09005	O Ring (d:1.9,ød:8.6)
8	25116-93J10	Bolt (8x35)
9	09100-10158	Bolt (10x100)
9	09116-10142	Bolt, W/washer (10x100)
10	09165-10092	Washer (10.5x19x2.0)
11	09188-12012	Gasket (12.5x20x2.5)
12	06248-12007	Plug, Oil Drain
12	09248-12009	Plug, Oil Drain
13	09280-13005	O Ring (ø3.5,ø:12.8)
14	16910-99E00	Gauge, Oil Level
14	16910-99E10	Gauge, Oil Level

FIG24 CLUTCH SHAFT

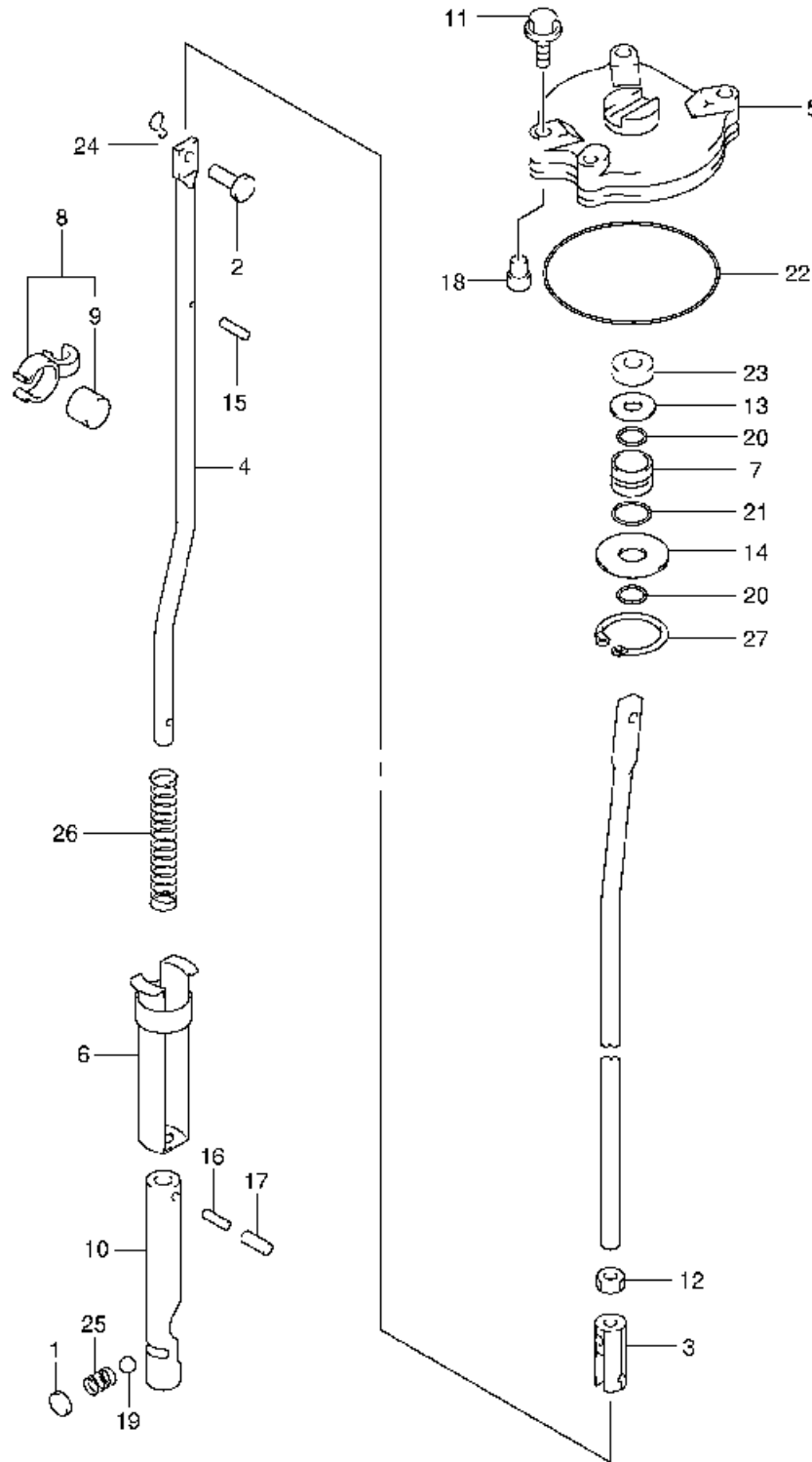
N° Réf.	N° Pièce	Designation
1	21210-99E00	Shaft, Clutch
2	21216-99E00	Spacer, Clutch Shaft
3	21220-99E00	Arm, Clutch Shaft Side
4	23111-99E00	Rod, Clutch
5	23115-99E00	Link, Clutch Lever
6	23131-99E00	Boot, Clutch Rod
7	23211-99E00	Lever, Clutch Control
7a	23210-99E10	Lever, Clutch Control
8	67467-89J01	Connector, Clutch Lever Link
9	67471-99E00	Nut, Remocoon Cable
10	67473-89J00	Pin, Clutch Lever
11	09160-06055	Washer (7x12x1.0)
12	29160-90A00	Washer (10.5x19x2.0)
13	09306-10001	Bush
14	09385-06012	Clip
15	08319-31107	Nut

FIG.24



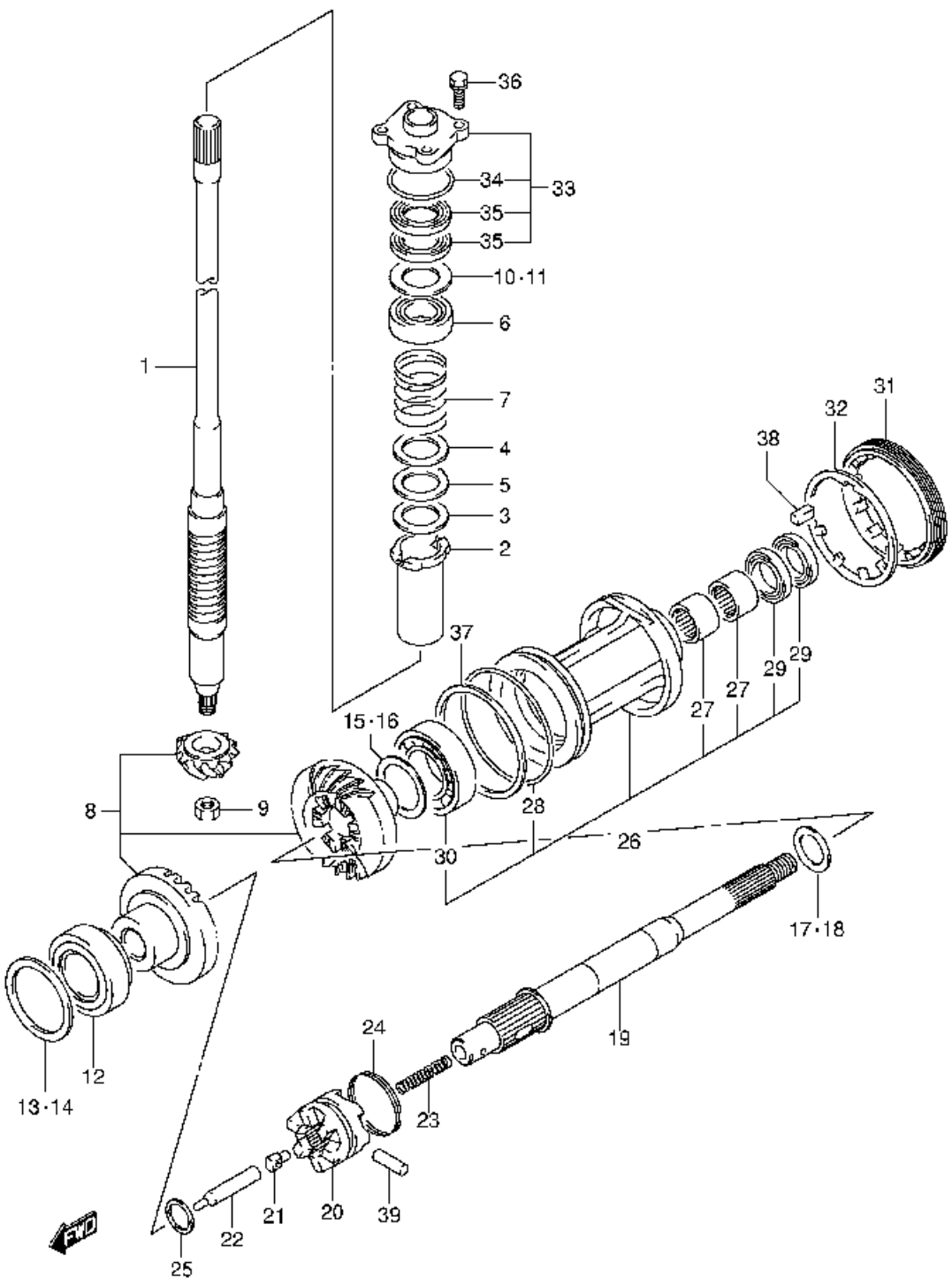
DF60 70 E01 024
CLUTCH SHAFT

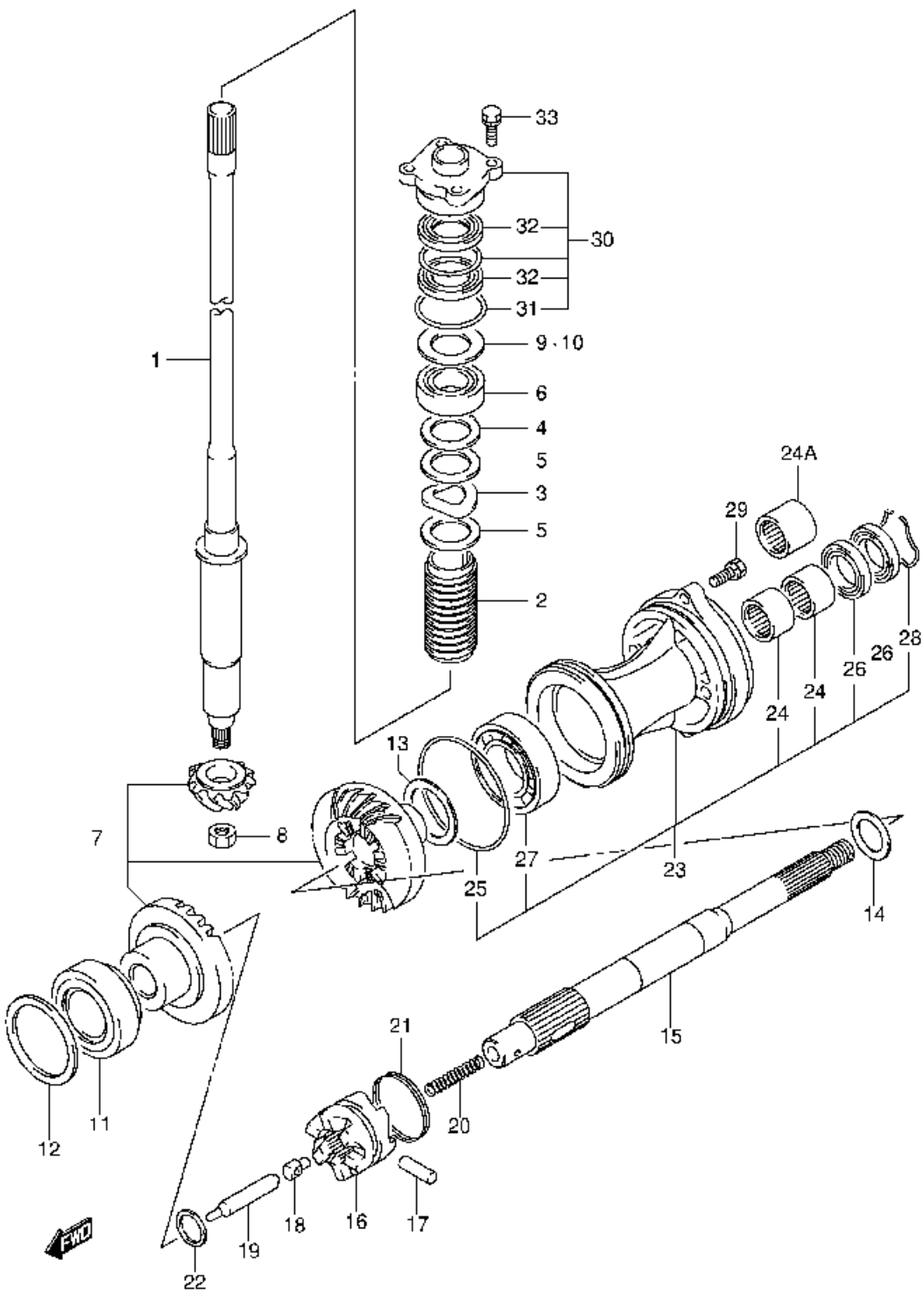
FIG25 SHIFT ROD



N° Réf.	N° Pièce	Désignation
1	21121-93300	Plate, Clutch Notch
2	23313-99E01	Pin, Connector
3	23315-94510	Connector, Clutch Rod
4	25111-99E01	Rod, Shift (l)
4	25111-99E20	Rod, Shift (r)
4	25111-99E10	Rod, Shift (x)
4	25111-99E30	Rod, Shift (y)
5	25141-99E03	Housing, Shift Rod Guide
6	25205-94501	Collar, Shift Rod Spring
7	25211-94501	Guide, Shift Rod
8	25230-94300	Magnet Set
9	25232-94300	Magnet
10	25311-94510	Cam, Clutch
11	09117-06031	Ball (6x20)
12	09140-08023	Nut
13	09160-09015	Washer (9x19x1.0)
14	09160-09010	Washer (9x30x1.6)
15	09205-02004	Pin (2.5x12)
16	09205-02006	Pin (2x12)
17	09205-03021	Pin (3.5x12)
18	09205-08019	Pin, Dowel
19	09260-10005	Ball
20	09280-08008	O Ring (d3.5,xf7.8)
21	09280-15003	O Ring (d2.4,xf14.8)
22	09280-69001	O Ring (d3.1,xf68.5)
23	09284-09003	Seal
24	09204-01002	Pin, Cotter
25	09440-07033	Spring
26	09440-12005	Spring
27	08331-41309	Circlip







N° Réf.	N° Pièce	Désignation
1	57110-99E30	Shaft Assy, Drive (I)
1	57110-99E50	Shaft Assy, Drive (I)
1	57110-99E40	Shaft Assy, Drive (K)
1	57110-99E60	Shaft Assy, Drive (K)
2	57130-90J01	Collar, Drive Shaft
3	09164-31001	Washer, Valve
4	09169-31001	Washer (33x40x2.0)
5	09181-31001	Washer
6	09265-25040	Bearing
7	57300-99E23	Pinion/gear Set
8	09140-14024	Nut
9	57500-87873	Shim Set, Drive Shaft
10	09181-40186	• Shim (t0.50)
10	09181-41002	• Shim (t0.55)
10	09181-41003	• Shim (t0.60)
10	09181-41004	• Shim (t0.65)
10	09181-41005	• Shim (t0.70)
10	09181-41006	• Shim (t0.75)
10	09181-40190	• Shim (t0.80)
10	09181-41008	• Shim (t0.85)
10	09181-41009	• Shim (t0.90)
10	09181-41010	• Shim (t0.95)
10	09181-40196	• Shim (t1.00)
10	09181-41012	• Shim (t1.05)
10	09181-41013	• Shim (t1.10)
10	09181-41014	• Shim (t1.15)
11	09265-50003	Bearing
12	09181-50020	Shim (t0.45)
12	09181-50021	Shim (t0.50)
12	09181-50022	Shim (t0.55)
12	09181-50023	Shim (t0.60)
12	09181-50024	Shim (t0.70)
12	09181-50025	Shim (t0.75)
12	09181-50026	Shim (t0.80)
12	09181-50027	Shim (t0.85)
12	09181-50028	Shim (t0.90)
12	09181-50029	Shim (t0.95)
13	09181-45003	Shim (t1.0)
13	09181-45004	Shim (t1.1)
13	09181-45005	Shim (t1.2)
13	09181-45006	Shim (t1.3)
13	09181-45007	Shim (t1.4)
13	09181-45008	Shim (t1.5)
13	09181-45009	Shim (t1.6)
14	09181-28015	Shim (t0.9)
14	09181-28016	Shim (t1.0)
14	09181-28017	Shim (t1.2)
14	09181-28018	Shim (t1.3)
14	09181-28019	Shim (t1.4)
14	09181-28020	Shim (t1.6)
15	57810-94520	Shaft Assy, Propeller
16	57621-94512	Shifter, Clutch Dog
17	09200-07002	Pin
18	09209-12007	Pin
19	57631-99E00	Rod, Push
20	09440-11020	Spring
21	09440-50002	Spring
21	09440-49004	Spring
22	09181-25030	Washer (25x32x3.0)
23	56120-94512-0EP	Housing, Prop Sft Brg (black)
24	09263-28013	• Bearing
24a	09263-28033	• Bearing
25	09280-97001	• O Ring (d3.5,td95.0)
26	09282-28002	• Oil Seal
27	08113-60097	• Bearing
28	09387-52001	• Ring
29	09117-08047	Bolt (8x20)
30	56130-87E00	Housing
31	09280-46004	• O Ring (d3.5,td45.7)
32	09282-22007	• Oil Seal
33	09117-08057	Bolt (8x25)

FIG28 **STARTING MOTOR (MODEL:98-00)**

N° Réf.	N° Pièce	Désignation
1	09206-09014	Pin
2	01550-06307	Bolt
3	01550-08257	Bolt
4	01550-08207	Bolt
5	01550-08457	Bolt
6	31100-87300	Starting Motor
7	31312-87300	• Pinion Stop Set
8	31320-87300	• Pinion Assy
9	31310-99E00	• Armature
10	31360-99E10	• Washer Set
11	31131-99E00	• Brush (+)
12	31135-99E00	• Spring
13	31173-99E00	• Holder, Brush
14	31281-94E10	• Bolt, Housing
15	31911-99E00	Bracket, Starting Motor
16	31912-99E00	Band, Starting Motor
17	31918-94E00	Damper, Lower
18	31800-94401	Relay, Starter Motor

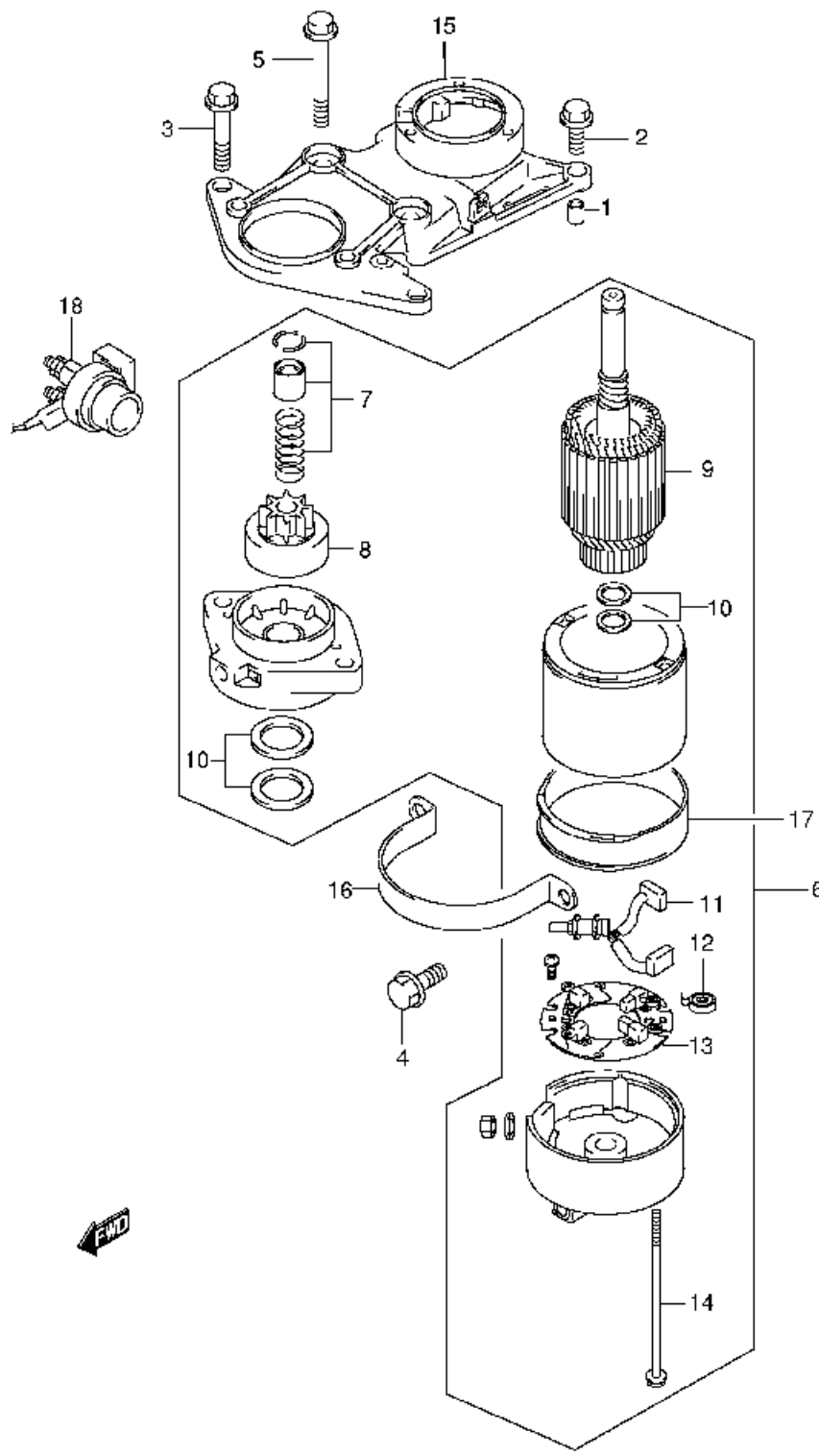
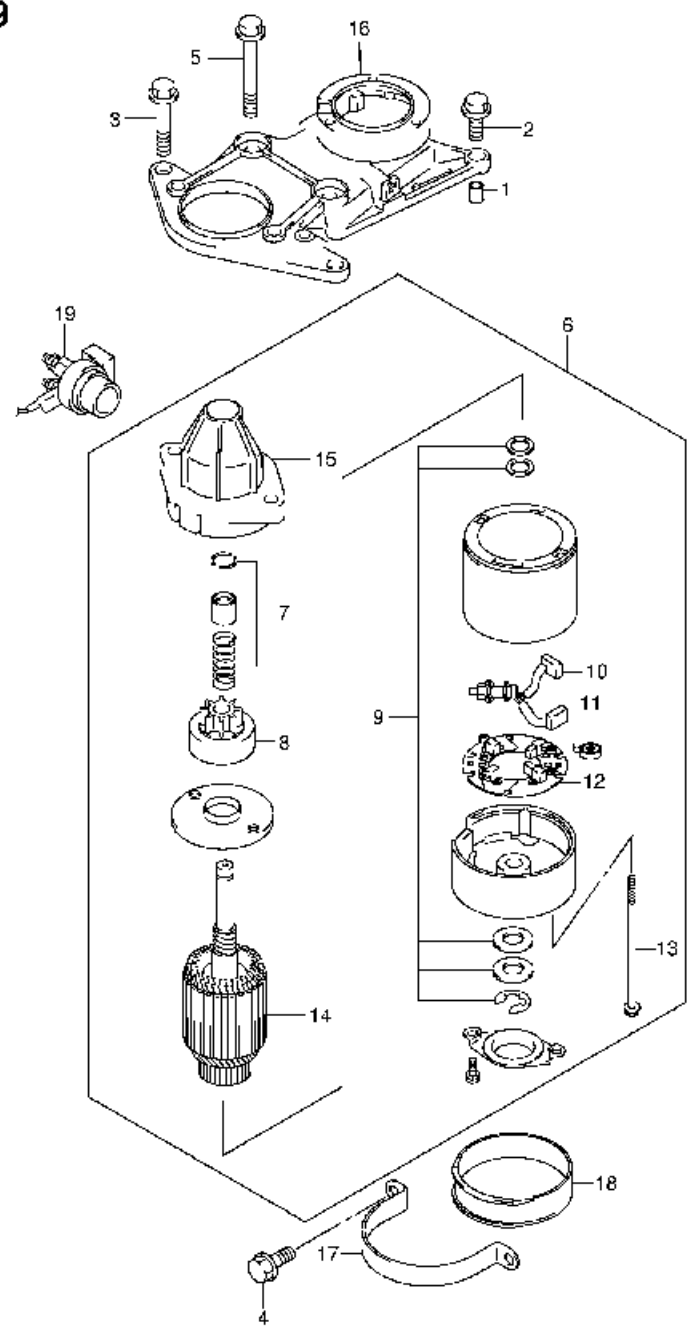


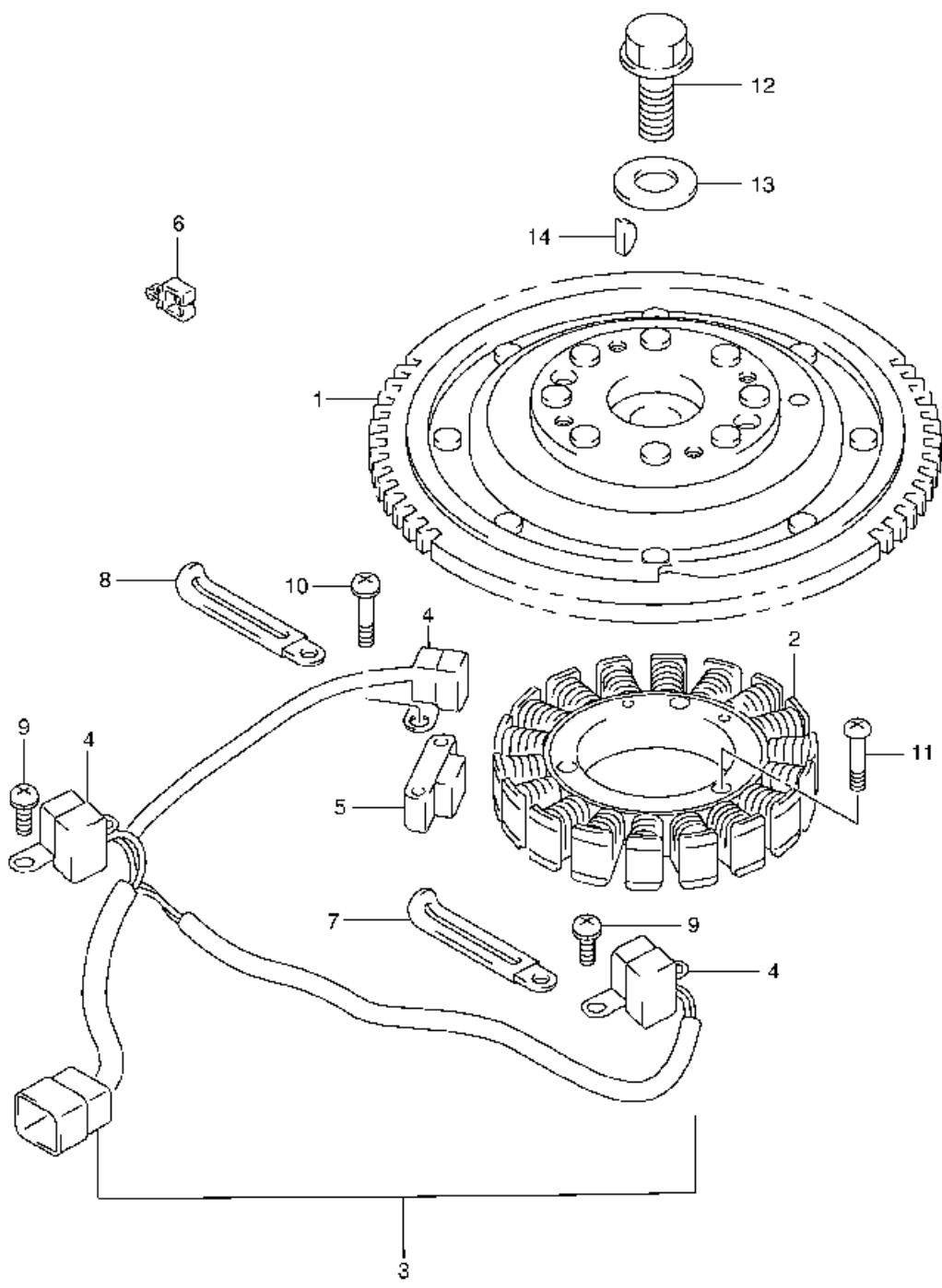
FIG29 STARTING MOTOR (MODEL:01-08)

N° Réf.	N° Pièce	Désignation
1	09206-09014	Pin
2	01550-06307	Bolt
3	01550-08257	Bolt
4	01550-08207	Bolt
5	01550-08457	Bolt
6	31100-87J10	Starting Motor
7	31312-87J10	• Pinion Stop Set
8	31320-87J10	• Pinion Assy
9	31360-87J10	• Washer Set
10	31131-99E00	• Brush (+)
11	31135-99E00	• Spring
12	31173-99E00	• Holder, Brush
13	31281-87J00	• Bolt, Housing
14	31310-87J10	• Armature
15	31151-87J10	• Case, Gear
16	31911-99E10	Brushes, Starting Motor
17	31912-99E01	Band, Starting Motor
18	31910-94E00	Damper, Lower
19	31800-94E01	Relay, Starter Motor

FIG.29

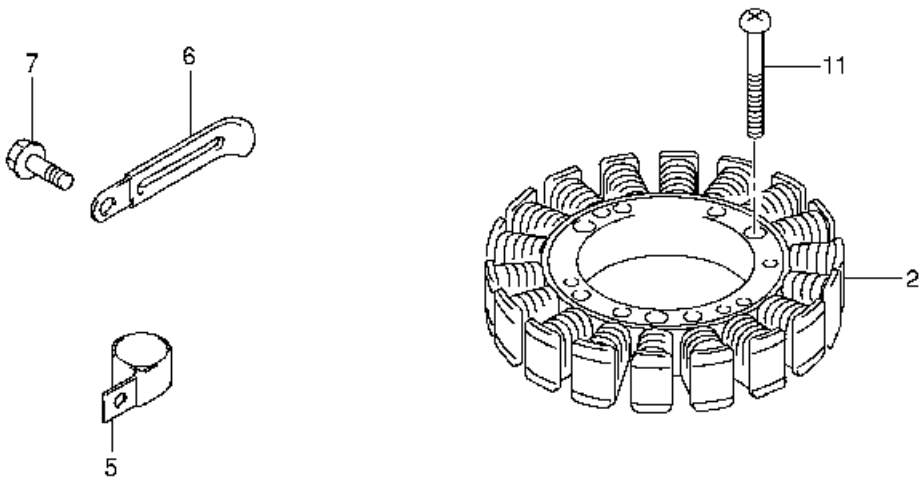
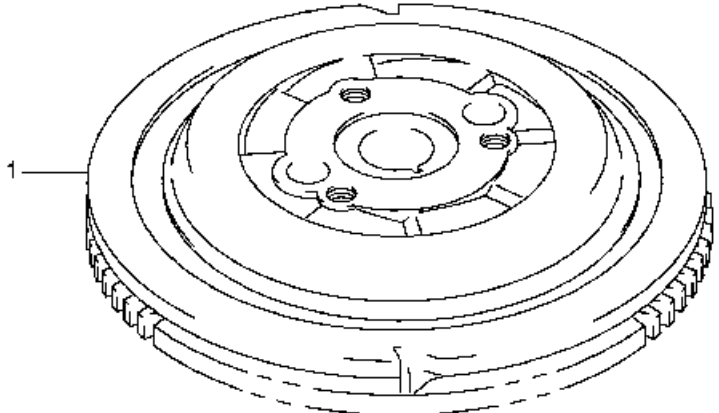
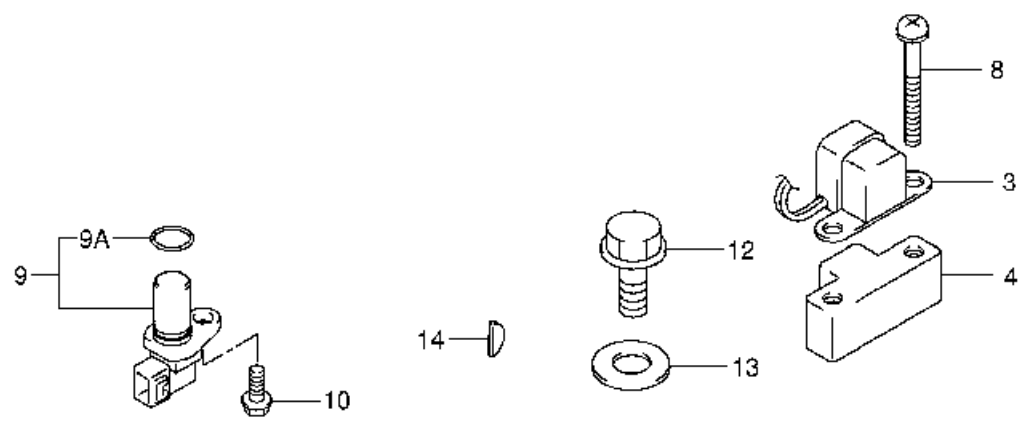


DF60 70 E01 029
STARTING MOTOR-C



N° Réf.	N° Pièce	Désignation
1	32102-99E00	Flywheel
2	32120-99E00	Coil, Battery Charging
3	32150-99E00	Sensor Assy, Clapcomp
4	32160-99E00	- Sensor, Clapcomp
5	32154-99E00	Spacer, Sensor
6	09403-08326	Clamp
7	09404-06432	Clamp (1.80)
8	09404-06434	Clamp (1.95)
9	02112-36127	Screw
10	02112-36303	Screw
11	02112-06303	Screw
12	09103-16001	Bolt (16x40)
13	09100-16046	Washer (16.5x36x4.5)
14	08341-31059	Key



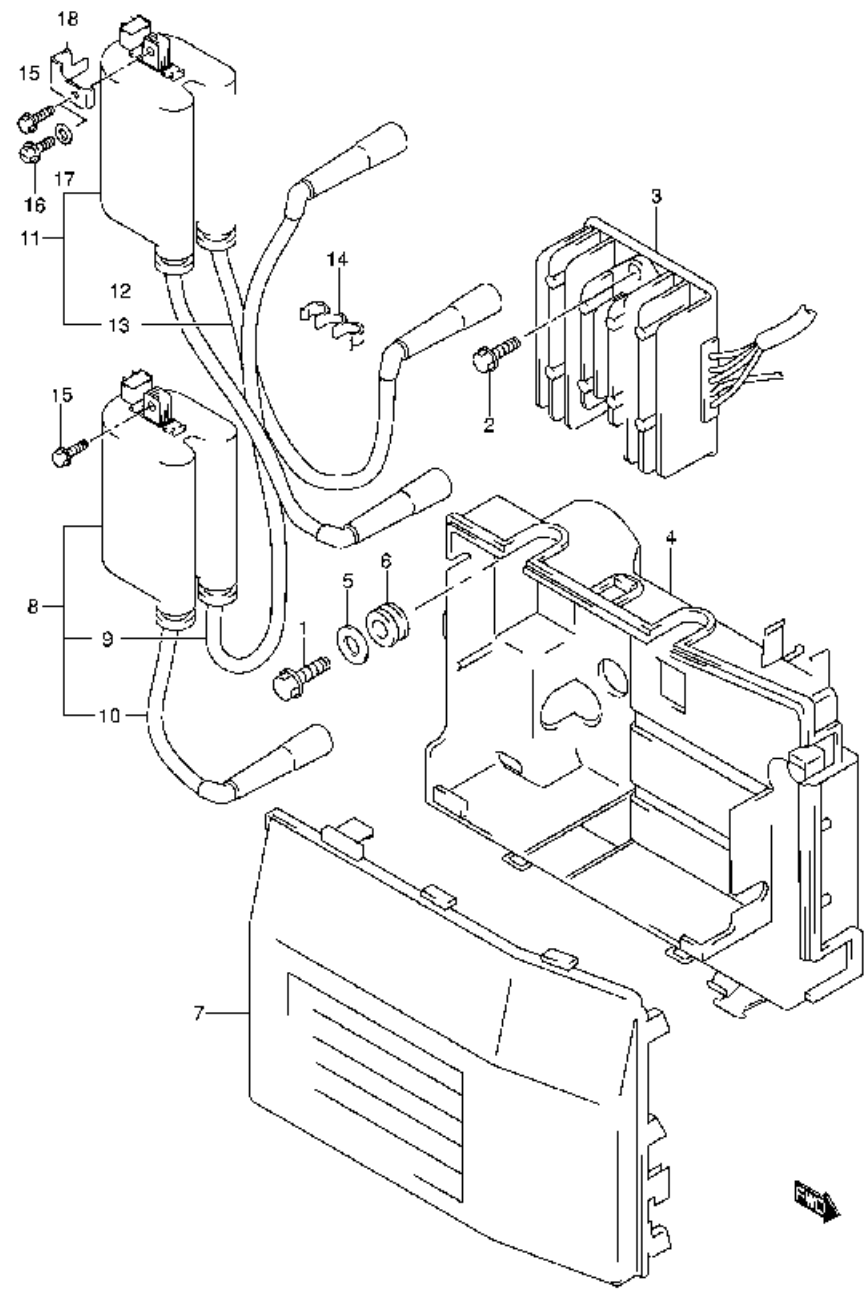


N° Réf.	N° Pièce	Désignation
1	32102-99E10	Flywheel
2	32120-99E10	Coil, Battery Charging
3	32160-87J00	Coil, Ignition Timing
3	32160-87J10	Coil, Ignition Timing
4	32154-99E00	Spacer, Sensor
5	09403-08326	Clamp
6	29404-93J10	Clamp (180)
7	01550-36127	Bolt
8	02112-36307	Screw
9	33220-84G00	Sensor, Ckp
9a	33221-42P00	O Ring
10	01550-06207	Bolt
11	02112-36307	Screw
12	09103-16001	Bolt (16x40)
13	09160-16046	Washer (16.5x36x4.5)
14	08341-31059	Key



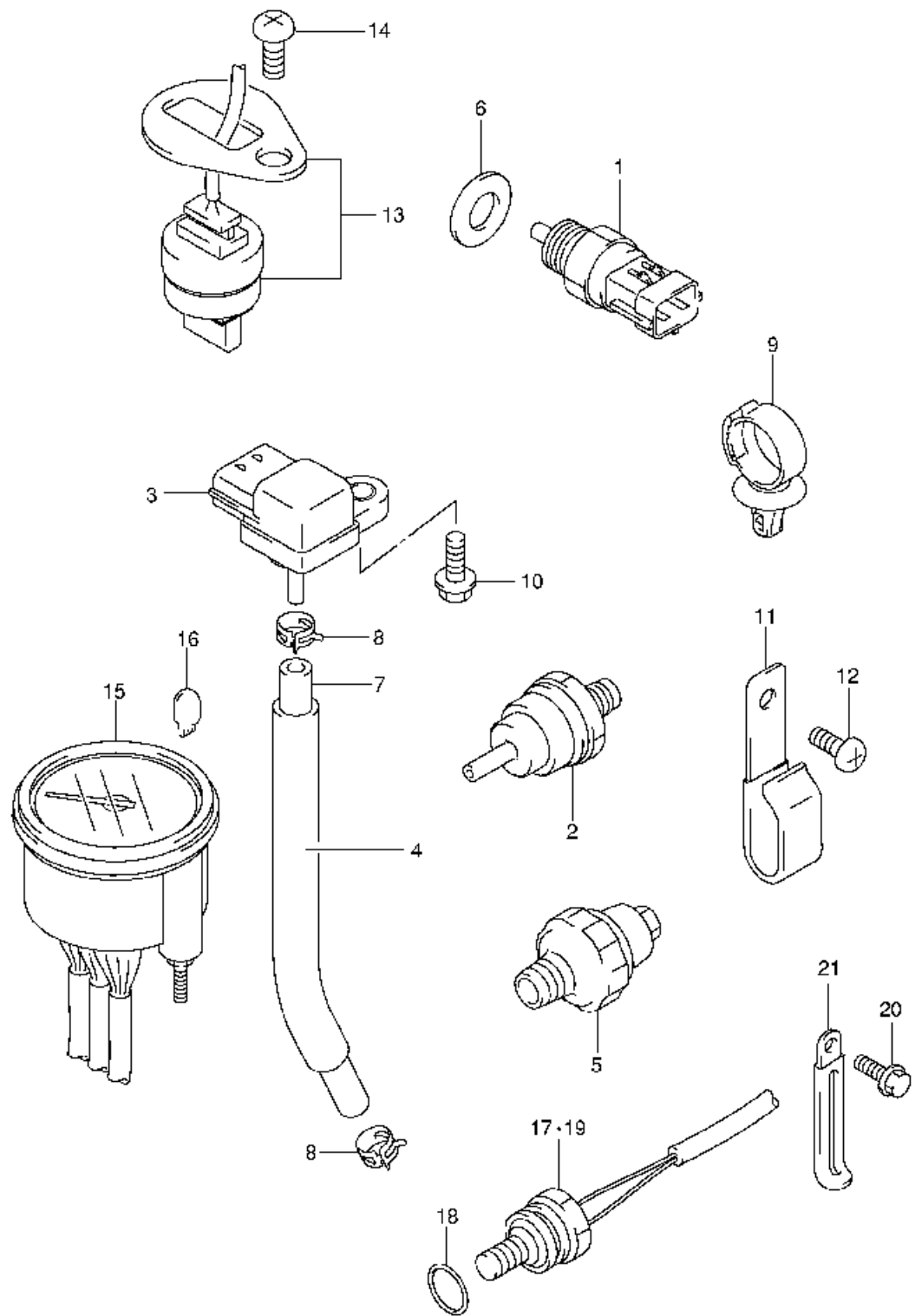
N° cliché: FIG32 Titre du cliché: IGNITION COIL

FIG.32



N° Réf.	N° Pièce	Désignation
1	01550-06127	Bolt
2	01550-06307	Bolt
3	32800-92E20	Rectifier/regulator
4	32890-99E00	Holder, Electric Parts
4	32890-99E11	Holder, Electric Parts
4	32890-99E12	Holder, Electric Parts
5	08160-06054	Washer (6.5x22x1.6)
5	08160-06054	Washer (6.5x22x1.6)
6	09320-12011	Cushion
7	32891-99E00	Cover, Electric Parts Holder
8	33410-99E00	Coil, Ignition
9	33710-99E00	- Cord, High Tension No.1
10	33740-99E00	- Cord, High Tension No.4
11	33420-99E00	Coil, Ignition
12	33720-99E00	- Cord, High Tension No.2
13	33730-99E00	- Cord, High Tension No.3
14	09408-00035	Clamp
15	01550-06207	Bolt
16	02160-06297	Screw
17	08322-01067	Washer
18	33415-99E00	Protector, Ignition Coil

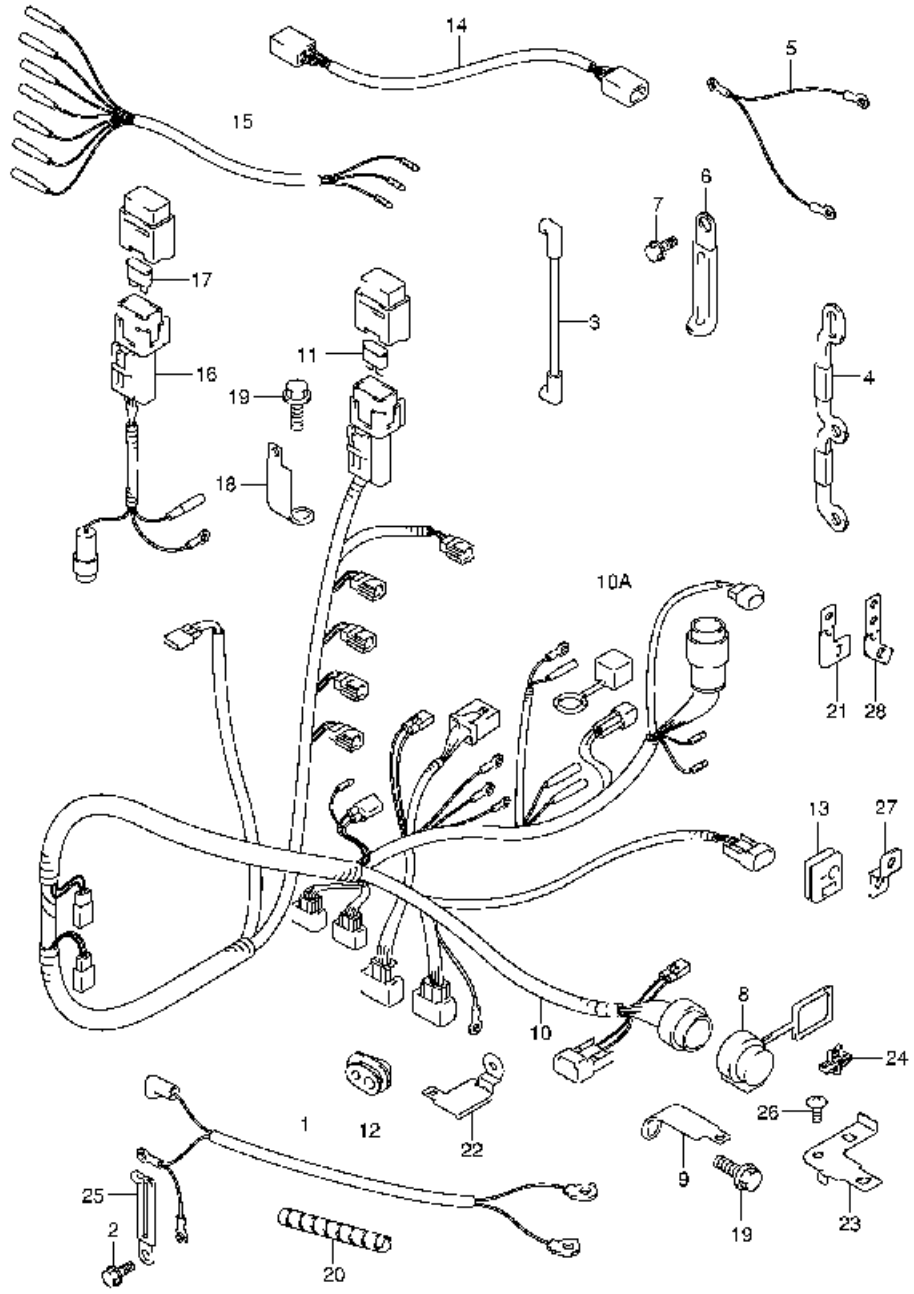
DF60 70 E01 032
IGNITION COIL-C



SENSOR

N° Réf.	N° Pièce	Désignation
1	13850-56800	Sensor, Ist
2	18133-81A01	Filter, Gas
3	18598-80C40	Sensor, Mag
4	33834-99E00	Protector, Hose
5	37620-99E01	Switch, Oil Pressure
6	09168-12016	Gasket
7	08355-35754-601	Hose
8	17812-90J00	Clip
9	09403-20308	Clip
10	01550-06167	Bolt
11	08403-17304	Clamp
12	03842-06129	Screw
13	34830-92E10	Sensor, Cylinder Temp
14	34830-92E30	Sensor, Cylinder Temp
15	02142-06127	Screw
16	34200-99E01	Tachometer, With Monitor
17	34200-93J00	Tachometer, With Monitor
18	09471-12179	Bulb
19	09471-12077	Bulb
20	34830-87J10	Sensor, Exhaust Temp
21	02280-09005	O Ring (ø1.9, d.8.6)
	34830-87J20	Sensor, Exhaust Temp
	01550-06127	Bolt
	29404-93J10	Clamp

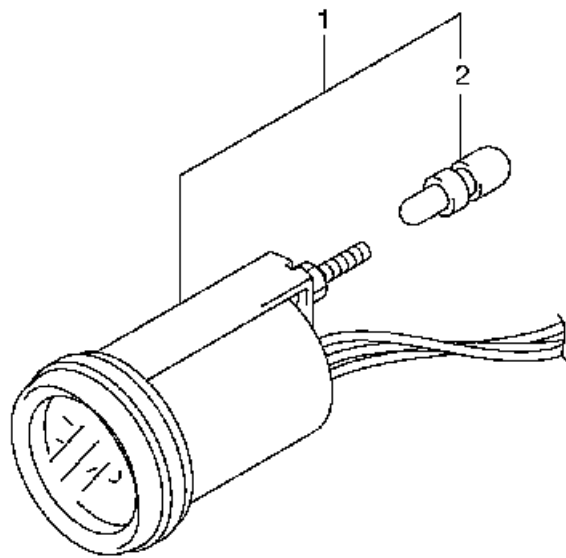
FIG.34



N° Réf.	N° Pièce	Désignation
1	33810-99E00	Cable, Starter Motor
1	33810-99E10	Cable, Starter Motor
2	01550-08167	Bolt
3	33820-99E00	Cable, Plus Term To Relay
4	33831-99E01	Plate, Pt Relay
5	33830-94001	Cable, Trim Relay Ground
6	29404-93J10	Clamp (180)
6	09404-03007	Clamp (197)
7	01550-06107	Bolt
7	01550-06127	Bolt
8	33834-99E00	Cap, Connector
9	36745-99E00	Bracket, Connector
10	36810-99E80	Harness Assy, Wiring
10	36810-99E50	Harness Assy, Wiring
10	36810-99E60	Harness Assy, Wiring
10	36810-99E40	Harness Assy, Wiring
10	36810-99E80	Harness Assy, Wiring
10	36810-99ED0	Harness Assy, Wiring
10	36810-99EE0	Harness Assy, Wiring
10	36810-99EF0	Harness Assy, Wiring
10	36810-99EG0	Harness Assy, Wiring
10	36810-99EH0	Harness Assy, Wiring
10	36810-99EL0	Harness Assy, Wiring
10	36810-99EM0	Harness Assy, Wiring
10a	33834-96J00	- Cap, Service Connector
11	09481-15101	- Fuse (15A)
11	09481-30501	- Fuse (30A)
12	36656-87D11	Grommet
12	36656-98E10	Grommet, Cable
13	36658-99E01	Grommet, Cable
13	36658-99E10	Grommet, Cable
13	36658-99E10	Grommet, Cable
14	36680-92E00	Wire, Monitor Gauge
14	36680-90J00	Wire, Trim Meter
15	36830-92E00	Wire, Instrument
16	36740-99E00	Case Assy, Fuse (30A)
17	09481-30101	- Fuse (30A)
18	36745-99E00	Bracket, Fuse Case
19	01550-08127	Bolt
19	01550-06127	Bolt
20	33834-99E10	Protector (150)
21	36617-90J00	Bracket, Joint Connector
22	36816-99E00	Holder, Connector
23	36745-99E10	Bracket, Service Connector
24	09403-07324	Clamp, Pt Cable
25	09404-03007	Clamp, Plus Cable
26	02142-06127	Screw, Service Connector Bracket
27	36817-93J10	Bracket, Harness
28	36617-99E00	Bracket, Joint Connector

DF60 70 E01 034
 HARNESS-C

N° cliché: FIG35 Titre du cliché: TRIM SENDER



N° Réf.	N° Pièce	Désignation
1	34800-92E00	Meter Assy, Trim
1	34800-90J02	Meter Assy, Trim
1	34800-93J00	Meter Assy, Trim
1	34800-93J11	Meter Assy, Trim
2	09471-12180	- Bulb
2	09471-12103	- Bulb
3	34801-94710	Sender Assy, Trim
3	34801-99E03	Sender Assy, Trim
4	09100-06113	Bolt (6x10)
5	09125-06063	Screw (6x10)
6	29404-93J10	Clamp
7	09407-14403	Clamp (L125)
7	09407-14407	Clamp (L145)

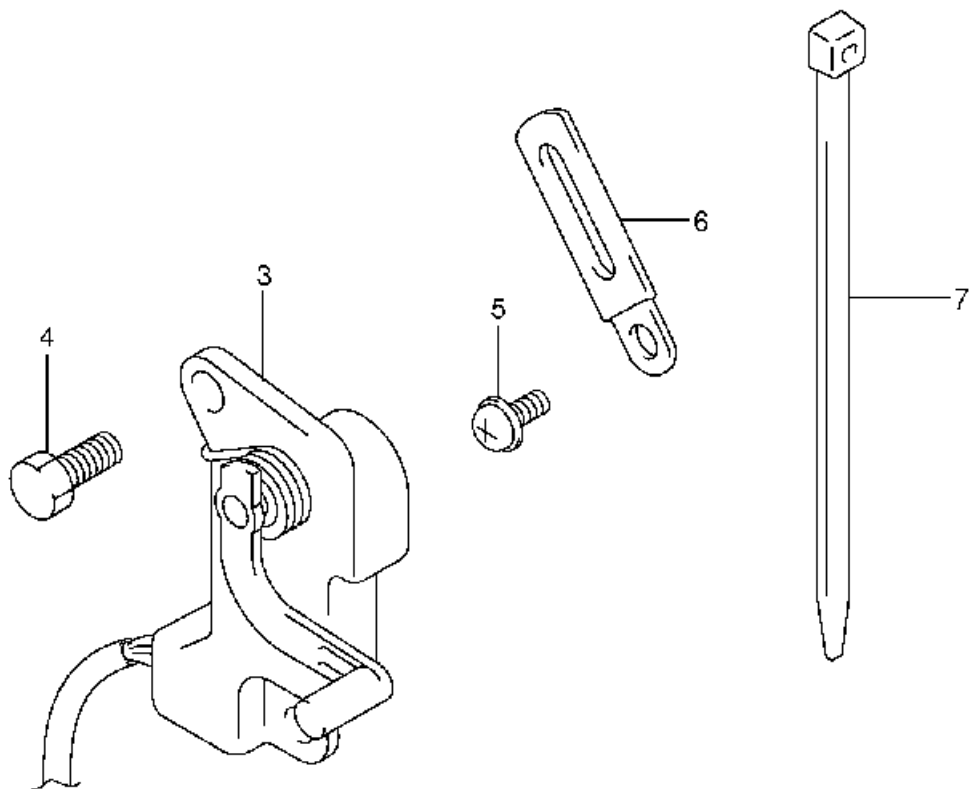
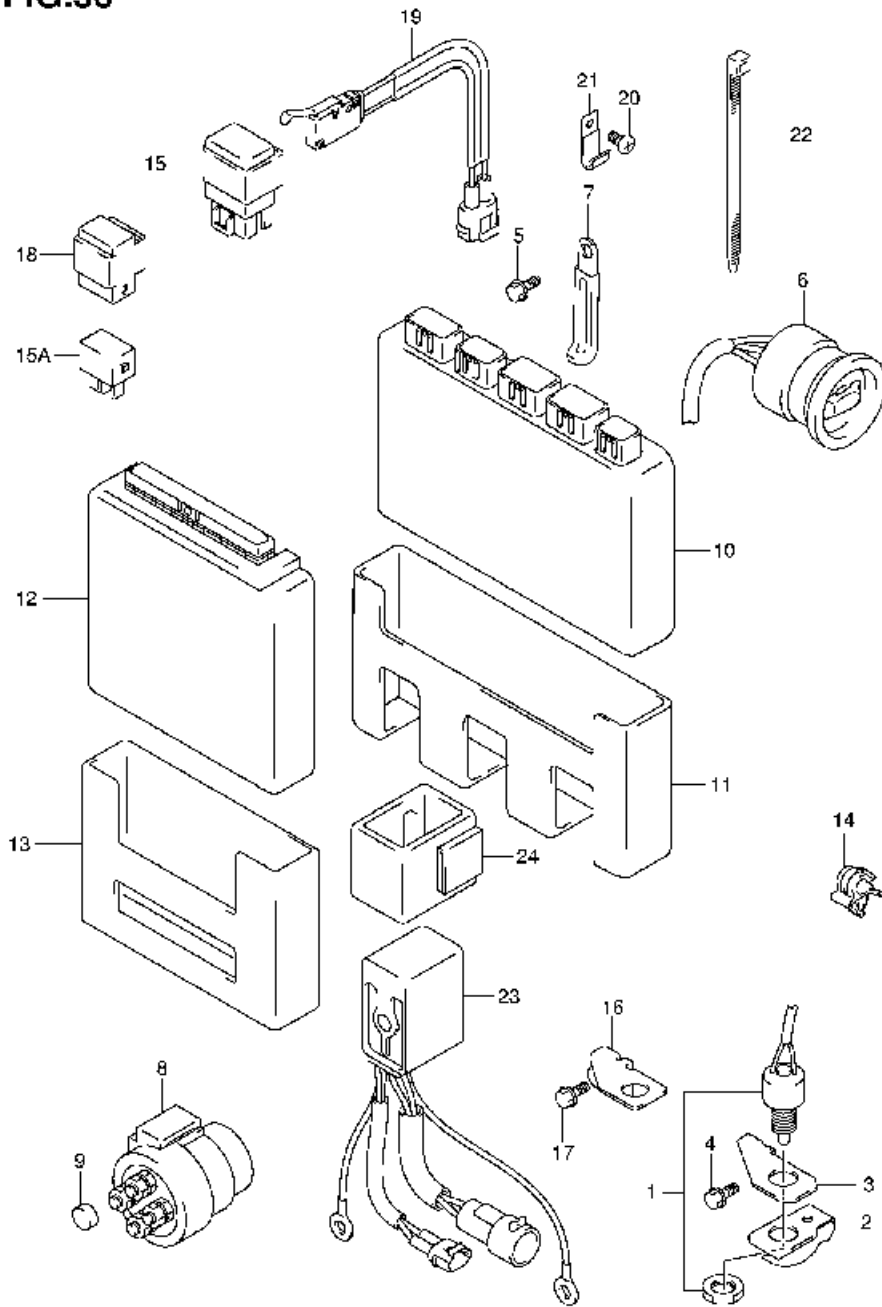


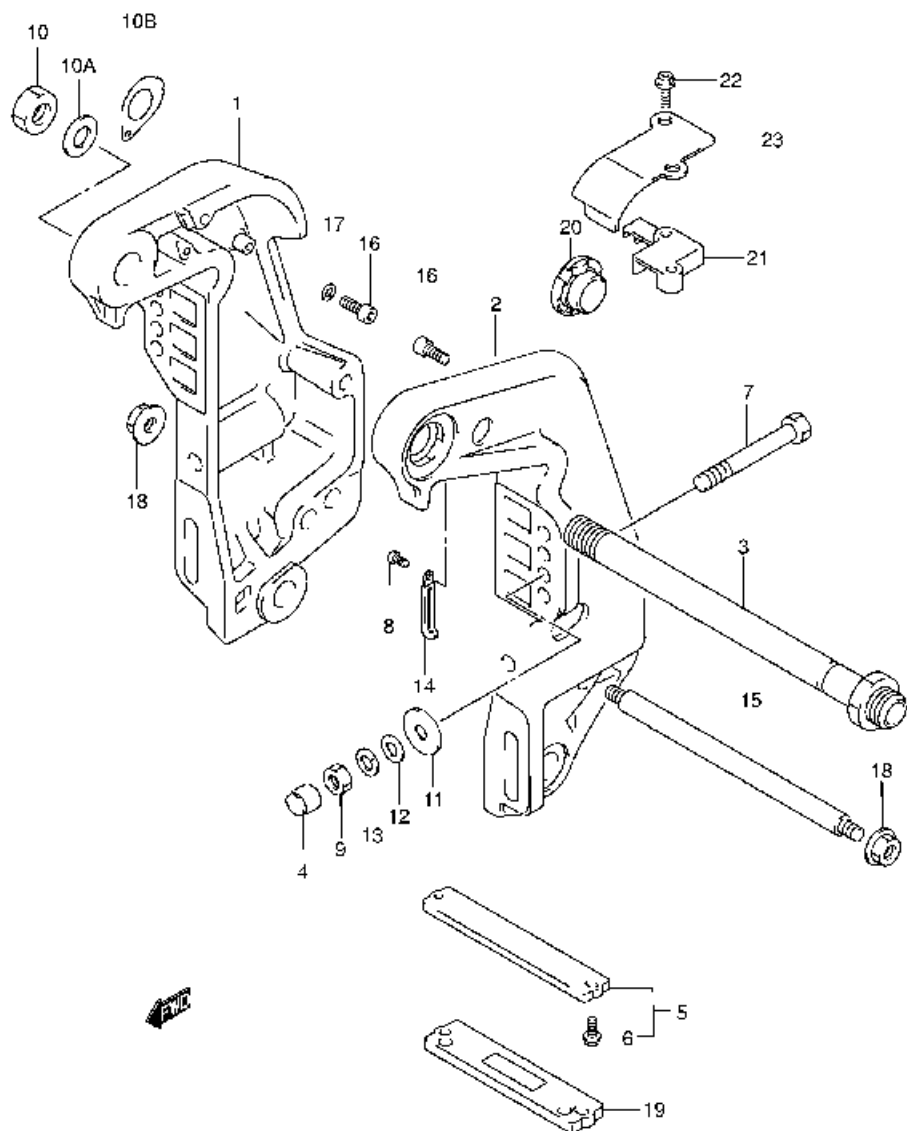
FIG.36



N° Réf.	N° Pièce	Désignation
1	37721-99E00	Switch, Neutral
1	37721-99E10	Switch Assy, Neutral
2	37725-99E00	Plate, Neutral Switch
3	37726-94A02	Bracket, Neutral Switch
4	01550-06167	Bolt
5	01550-06107	Bolt
6	37850-99E02	Switch, Pt
7	29404-93J10	Clamp
8	38410-94S52	Relay, Pt
9	09251-09002	Cap
10	33920-99E91	Module, Engine Control
10	33920-99E05	Module, Engine Control (ecm)
10	33920-99EAD	Module, Engine Control (ecm)
10	33920-99E14	Module, Engine Control (ecm)
11	33925-99E00	Cushion, Ecm
12	33920-99E29	Module, Engine Control
12	33920-99E51	Module, Engine Control
12	33920-99E52	Module, Engine Control
12	33920-99E53	Module, Engine Control
12	33920-99E54	Module, Engine Control
12	33920-99E30	Module, Engine Control
12	33920-99E61	Module, Engine Control
12	33920-99E62	Module, Engine Control
12	33920-99E63	Module, Engine Control
12	33920-99E64	Module, Engine Control
12	33920-99E81	Module, Engine Control
12	33920-99E82	Module, Engine Control
12	33920-99E83	Module, Engine Control
12	33920-99E84	Module, Engine Control
12	33920-99E81	Module, Engine Control
12	33920-99E82	Module, Engine Control
12	33920-99E83	Module, Engine Control
12	33920-99E84	Module, Engine Control
13	33925-87J00	Cushion
14	09403-07308	Clamp
15	38910-92E00	Relay, Ecm Main
15a	38900-76F01	Relay, Ecm Main
16	37725-99E10	Bracket, Neutral Sw
17	01550-06167	Bolt
18	38915-90J00	Holder, Relay
19	37722-93J00	Switch Assy, Tilt Limit
19	37722-93J10	Switch Assy, Tilt Limit
20	09103-06152	Screw, Tilt Limit Lead Clamp
21	09403-09316	Clamp, Tilt Limit Lead
22	09407-14407	Clamp, Tilt Limit Lead
22	09407-14407	Clamp, Tilt Limit Lead
23	38410-93J10	Relay, Pt
24	38415-93J00	Holder, Pt Relay

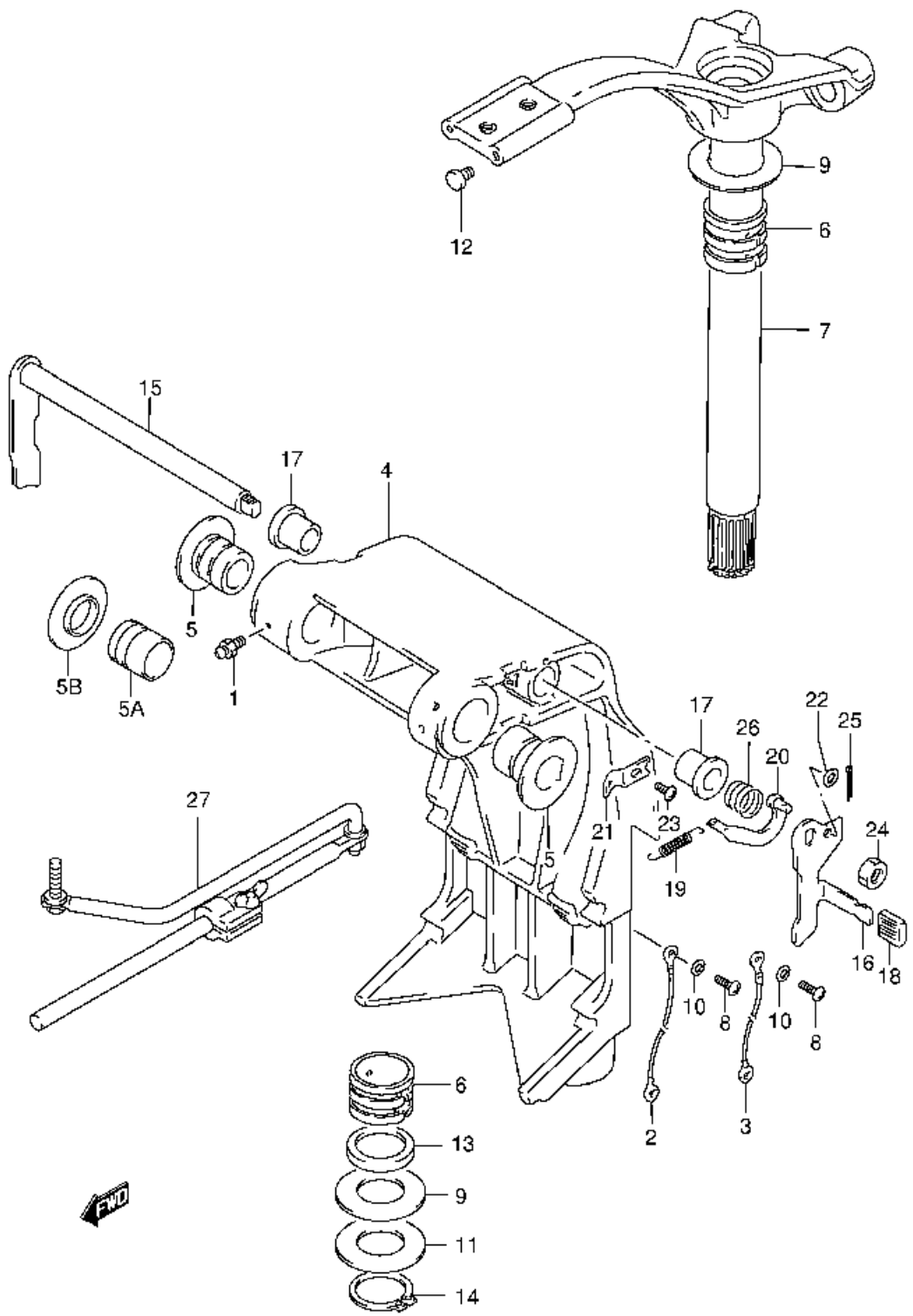
DF60 70 E01 035
 ENGINE CONTROL UNIT

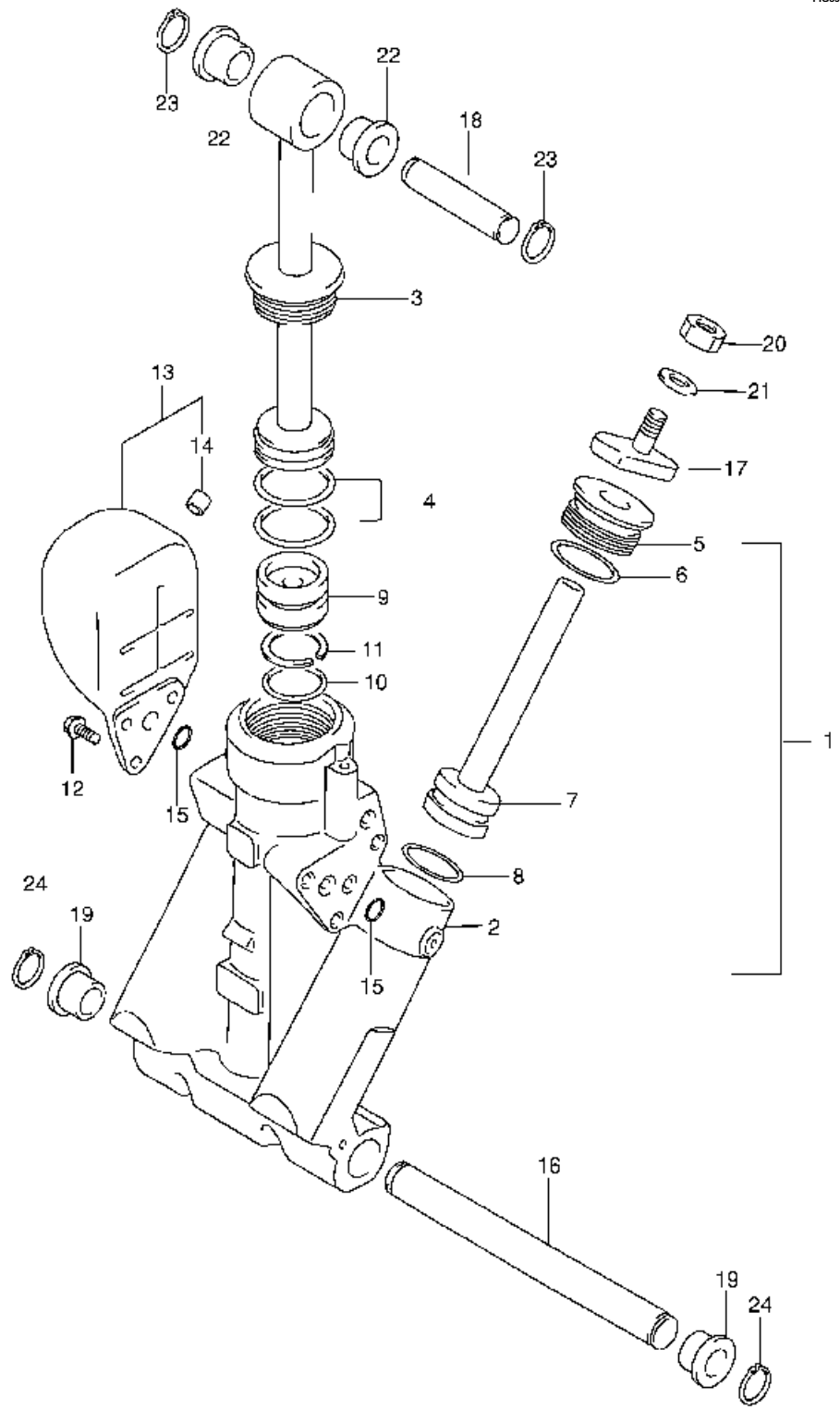
FIG.37



N° Réf.	N° Pièce	Désignation
1	41111-95E03-0EP	Bracket, Clamp Smbd (black)
1	41111-90J01-0EP	Bracket, Clamp Smbd (black)
1	41111-90J12-0EP	Bracket, Clamp Smbd (black)
2	4121-95E20-0EP	Bracket, Clamp Port (black)
2	4121-90J01-0EP	Bracket, Clamp Port (black)
2	4121-90J13-0EP	Bracket, Clamp Port (black)
3	41130-95541	Shaft, Clamp Bracket
3	41130-95542	Shaft, Clamp Bracket
3	41130-95543	Shaft, Clamp Bracket
3	41130-92J00	Shaft, Clamp Bracket
4	41153-94500	Cap, Transom Bolt
5	55320-94900	Zinc Set, Protection
6	09116-08121	* Bolt (6x29)
7	09100-12945	Bolt (12x115, pitch:1.75)
7	09100-12091	Bolt (12x115, pitch:1.25)
7	09100-12083	Bolt (12x150, pitch:1.75)
7	09100-12090	Bolt (12x150, pitch:1.25)
8	09125-06063	Screw (6x10)
9	09160-12028	Nut (m12, pitch:1.75)
9	09159-12014	Nut (m12, pitch:1.25)
10	09159-22036	Nut
10a	09160-22033	Washer (22.5x38x1.0)
10b	41135-92J00	Washer, Clamp Bracket Shaft
11	09160-12044	Washer (12.5x55x2.2)
12	09160-12066	Washer (12.5x22x2.5)
12	09160-12110	Washer (12.5x22x3.0)
13	09162-12005	Lock Washer
14	29404-93J10	Clamp
15	45421-97000	Pin, Tilt Lock
15	45421-90J00	Pin, Tilt Lock
16	09108-10065	Bolt
17	29160-93J00	Washer (10.5x19x2.0)
18	09159-14020	Nut
18	09159-14020	Nut
19	55321-94510	Anode (magnesium)
20	48149-93J00	Cam Assy, Tilt Limit Switch
21	48144-93J00	Holder, Tilt Limit Switch
22	09103-06093	Bolt
22	09103-06076	Bolt (6x25)
23	48145-93J00	Cover, Tilt Limit Switch

DF60 70 E01 037
CLAMP BRACKET

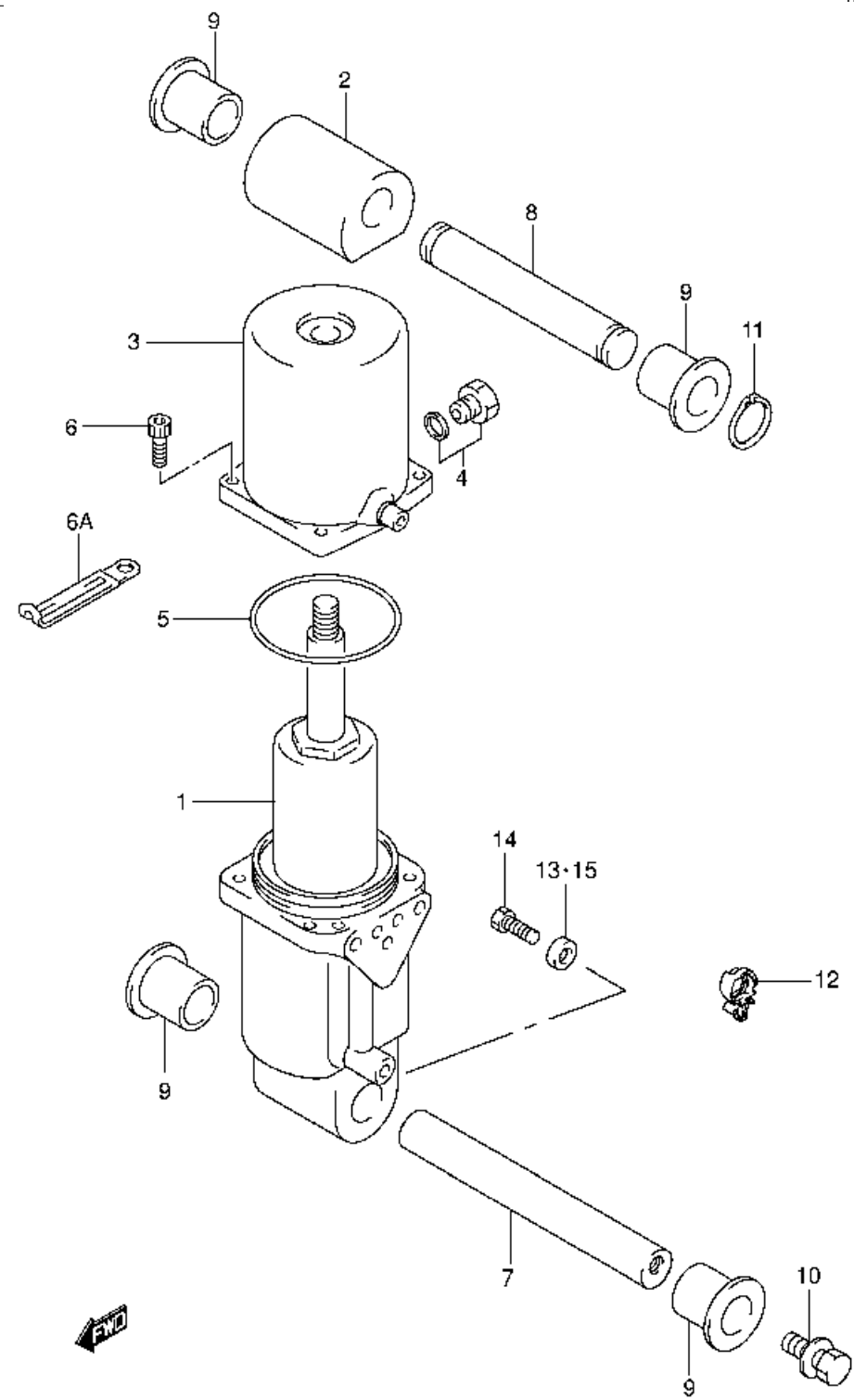




N° Réf.	N° Pièce	Designation
1	48503-94900-OEP	Manifold Sub Assy
2	48841-94900-OEP	Manifold, Pin (black)
3	48401-94900	Piston Assy
4	48627-95E00	O Ring Set
5	48630-94900	Head, Trim Cylinder
6	48633-94900	O Ring Set, Head
7	48601-94900	Piston/Ram Assy
8	48627-95E00	O Ring Set
9	48650-94900	Piston, Free
10	48405-87D00	O Ring Set
11	48815-97E00	Ring, Backup
12	48861-95E00	Bolt, Reservoir
13	48709-95E00	Reservoir
14	48672-95E00	Cap
15	48588-94900	O Ring
16	48121-95E00	Shaft, Trim Cylinder Lower
17	48311-94501	Pad, Trim Cylinder Ram
18	48321-87D02	Shaft, Trim Cylinder Upper
19	48328-85E00	Bush, Trim Cylinder
20	09140-08023	Nut
21	09162-08007	Washer, Lock (8.2x15.4x2.0)
22	09306-17001	Bush
23	09380-17009	Clip
24	09380-22015	Clip

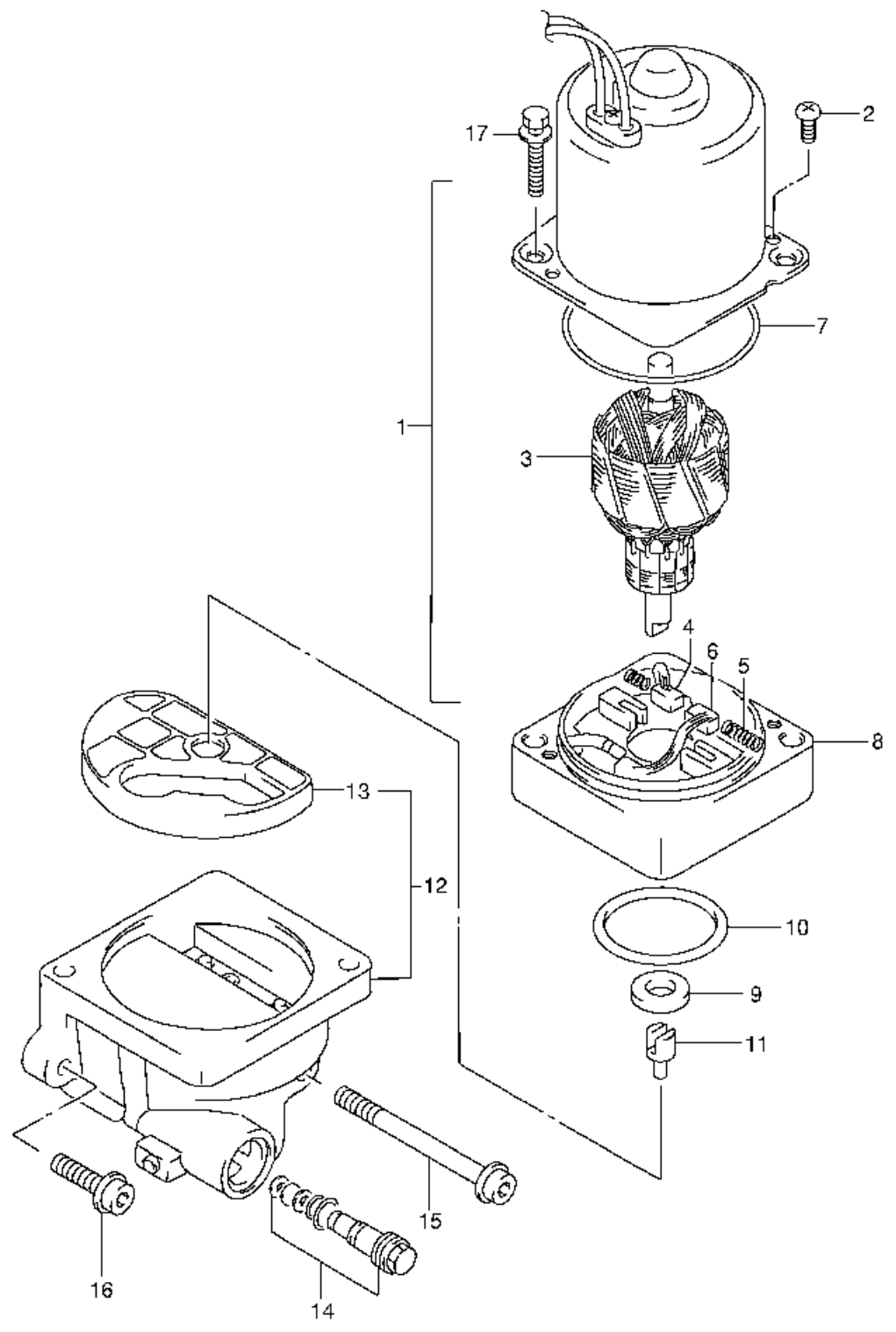


N° cliché: FIG40 Titre du cliché: TRIM CYLINDER (MODEL:01-08)

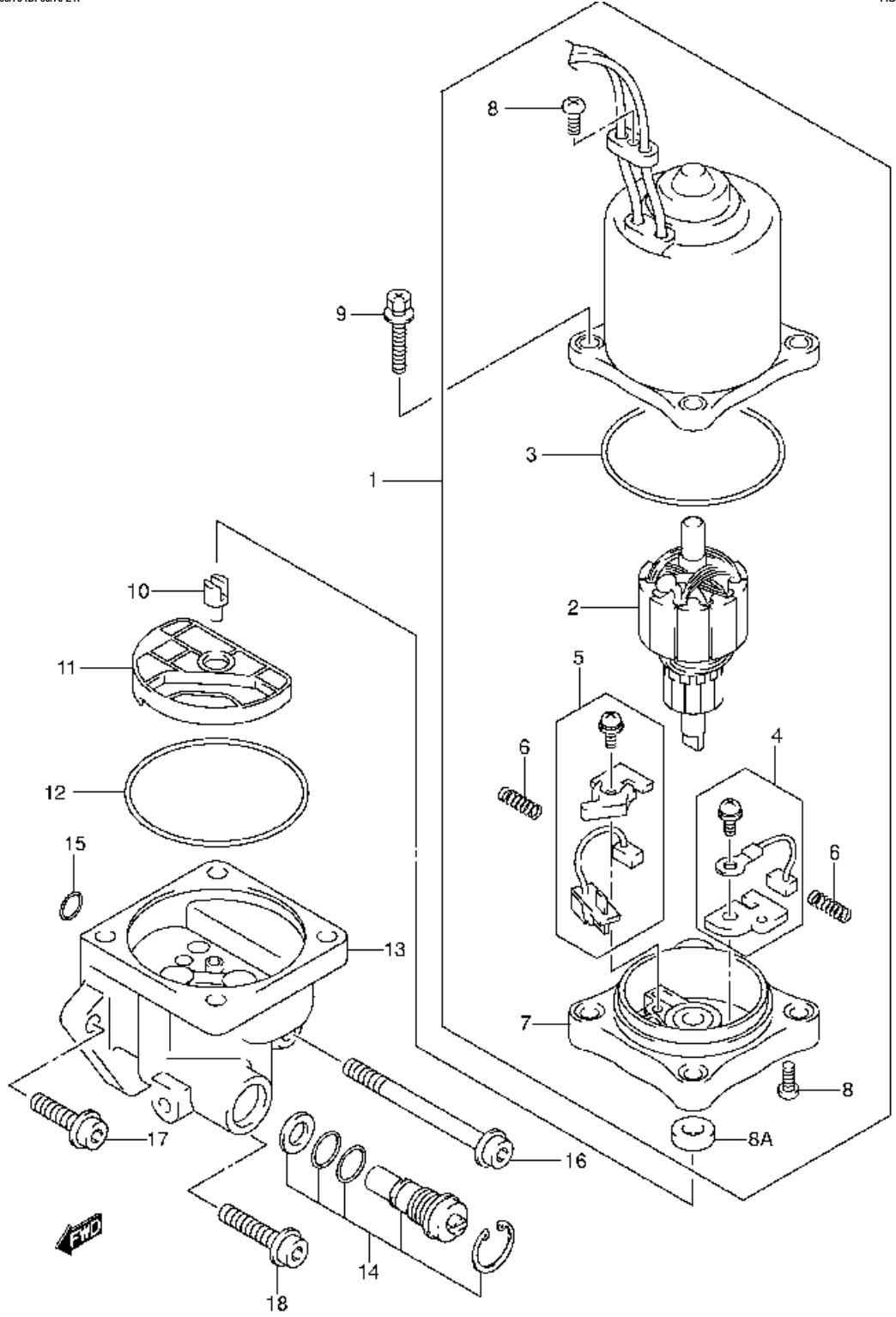


N° Réf.	N° Pièce	Désignation
1	48400-80J00	Manifold Assy, Ptt
2	48611-90J00	Joint, Metal
3	48571-90J01	Tank
3	48571-90J20	Tank
4	48572-87J10	Plug
5	48525-90J00	O Ring
6	48862-87J10	Bolt
6A	29404-93J10	Clamp
7	48121-90J00	Shaft, Tilt Cylinder Lower
8	48321-90J00	Shaft, Tilt Cylinder Upper
9	48326-95E00	Bush, Tilt Cylinder
10	09116-10131	Bolt
11	06386-22015	Circlip
12	09403-20308	Clamp
13	55321-87J00	Anode, Protection
14	09126-96E21	Bolt (6x14)
14	09103-96E81	Bolt
15	55321-87J10	Anode (magnesium)

N° cliché: FIG41 Titre du cliché: PTT MOTOR (MODEL:98-00)



N° Réf.	N° Pièce	Désignation
1	38100-99E01-0EP	Motor Assy, Ptt (black)
2	31111-94900	• Screw
3	31311-94900	• Armature
4	31133-94900	• Brush
5	31135-94900	• Spring
6	31136-94900	• Breaker Assy
7	31123-87D80	• O Ring
8	31173-94900	• Holder, Brush
9	33759-97E00	Oil Seal
10	48585-95E00	O Ring
11	48593-95E00	Gasket
12	48502-94901	Pump
13	48502-95E00	• Filter
14	48864-94911	• Valve Set, Manual
15	48862-95E00	Bolt
16	48862-95E10	Bolt
17	31281-95E00	Bolt, Through



N° Réf.	N° Pièce	Désignation
1	38100-90J00	Motor Assy, Ptt
1	38100-90J01	Motor Assy, Ptt
1	38100-90J20	Motor Assy, Ptt
1	38100-90J30	Motor Assy, Ptt
2	31311-90J00	- Armature
3	31123-94900	- O Ring
4	31133-90J00	- Brush Assy
5	31126-90J00	- Breaker Assy
6	31135-94900	- Spring
7	31173-94900	- Holder, Brush
8	31111-94900	- Screw
8a	33799-97E00	- Seal, Oil
9	31281-92J00	Bolt
10	48563-95E00	Joint
11	48582-95E00	Filter
12	48585-95E00	O Ring
13	48502-90J00	Pump Assy
14	48864-93J00	Valve, Manual
15	48586-90J00	O Ring Set
16	48862-90J00	Bolt
17	48862-90J10	Bolt
18	48862-90J20	Bolt



FIG.43

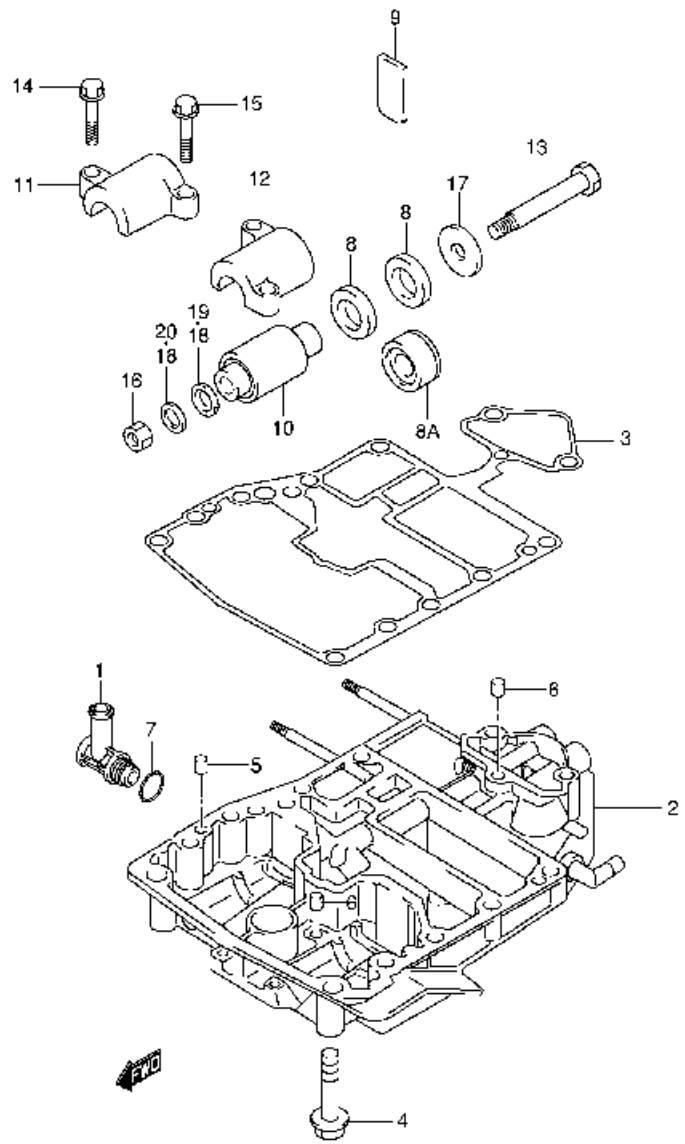
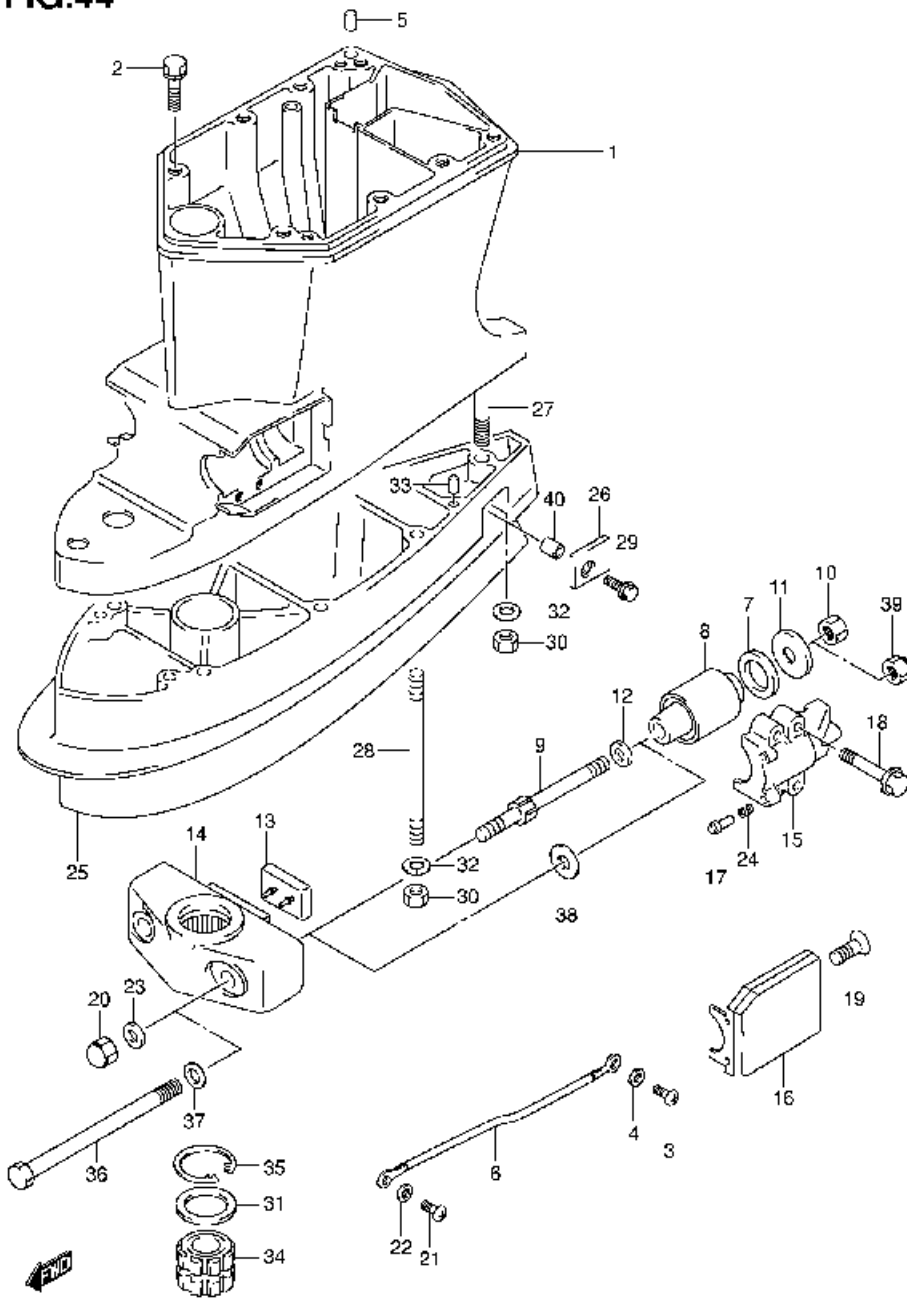


FIG43 ENGINE HOLDER

N° Réf.	N° Pièce	Désignation
1	17573-89J01	Pipe, Water Return Hose
1	17573-89J02	Pipe, Water Return Hose
2	51110-99902-OEP	Holder Set, Engine (black)
3	51211-99E00	Gasket, Engine Holder
4	09117-10039	Bolt (10x80)
5	09206-08001	Pin, Knock
6	04211-09149	Pin, Knock
7	09289-20006	O Ring (d1.9,at19.8)
8	54121-87E00	Stopper, Upper Thrust
8a	54120-99E01	Stopper, Upper Thrust
9	54129-99E00	Mount, Upper Thrust
10	54130-87E31	Mount, Upper
10	54130-87E01	Mount, Upper
11	54148-99E01-OEP	Cover, Upper Mount Sbrd (black)
12	54149-99E01-OEP	Cover, Upper Mount Port (black)
13	09100-12045	Bolt (12x115)
13	54112-99E01	Bolt (12x117)
14	09116-08123	Bolt (8x40)
14	09116-08128	Bolt (8x40)
15	09116-08122	Bolt (8x30)
16	09140-12043	Nut
16	09159-12014	Nut
17	09160-12065	Washer (12.2x40x3)
18	09160-12066	Washer (12.5x23x3.5)
19	54113-90J00	Washer, Upper Mount Bolt
20	09160-12110	Washer (12.5x23x3.0)

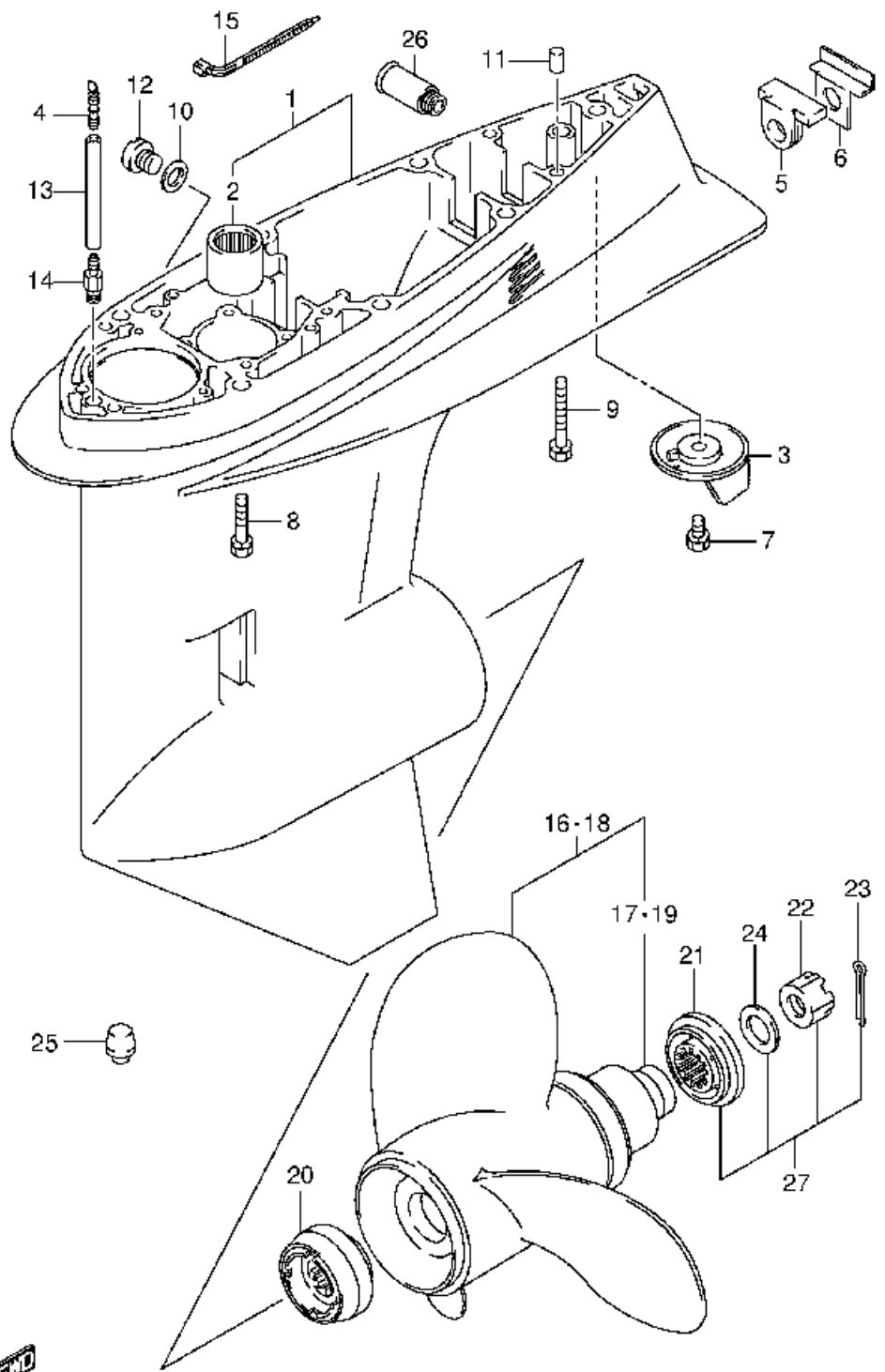
DF60 70 E01 043
ENGINE HOLDER

FIG.44



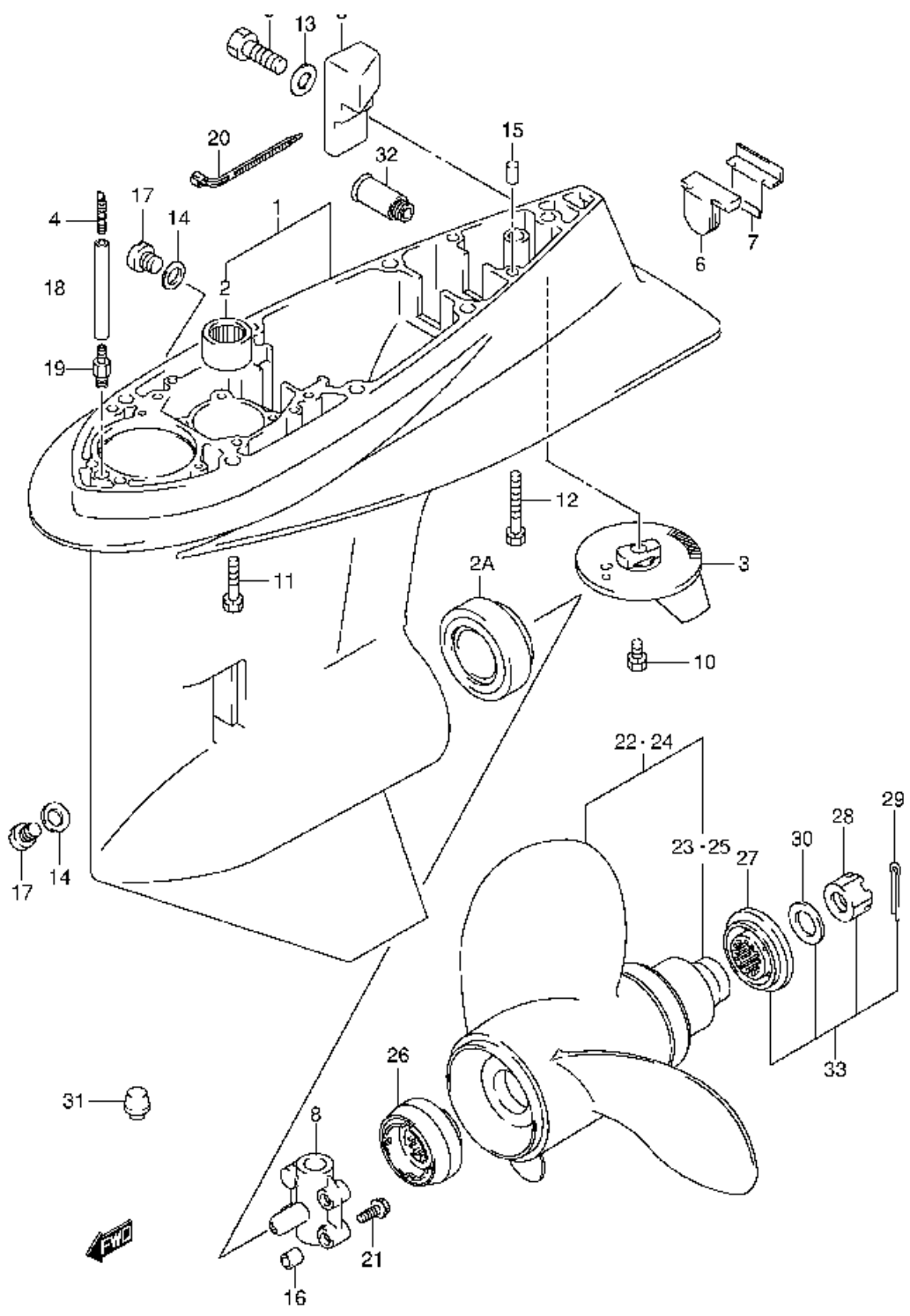
N° Réf.	N° Pièce	Désignation
1	52111-99E00-OEP	Housing, Drive Shaft (black)
1	52111-99E01-OEP	Housing, Drive Shaft (black)
1	52111-99E02-OEP	Housing, Drive Shaft (black)
1	52111-99E03-OEP	Housing, Drive Shaft (black)
1	52111-99E10-OEP	Housing, Drive Shaft (black)
2	09117-10034	Bolt (10x45)
2	09117-10058	Bolt (10x45)
3	29125-93J10	Screw (5x8)
4	09161-05114	Washer (5.2x11x1.0)
5	09202-08006	Pin, Knock
6	36894-95201	Lead (mount Brkt To Hsg)
7	54121-87D00	Stopper
8	54160-87E11	Mount, Lower
9	54166-87E00	Bolt, Lower Mount
10	09140-12029	Nut
11	09160-12065	Washer (12.2x40x3.0)
11	09160-12112	Washer (12.2x40x3.0)
12	09160-12066	Washer (12.5x22x2.5)
13	54151-94400	Mount, Lower Thrust
13	54151-99E00	Mount, Lower Thrust
14	54211-87E00-OEP	Bracket, Lower Mount (black)
14	54211-87E02-OEP	Bracket, Lower Mount (black)
14	54211-87E03-OEP	Bracket, Lower Mount (black)
15	54221-87E01-OEP	Cover, Lower Mount (black)
15	54221-99E10-OEP	Cover, Lower Mount (black)
16	54222-87E02-OEP	Cap, Lower Mount Cover (black)
17	54224-87E00	Pin
18	09117-08956	Bolt (8x40)
18	09116-10138	Bolt (10x44) (w/washer)
19	09125-95008	Screw (6x10)
20	09145-12004	Nut
20	09159-12014	Nut
21	09125-06063	Screw (6x10)
21	29125-93J10	Screw (5x8)
22	09161-05100	Washer (6.3x12.5x1.0)
23	09160-12066	Washer (12.5x22x2.5)
24	09440-07066	Spring
25	52131-99E01-OEP	Case, Extension (black)
26	55320-95311	Zinc, Protection
27	09108-10026	Bolt, Stud
28	09108-10115	Bolt, Stud
29	09116-06999	Bolt (6x35)
30	29141-93J20	Nut
31	09160-28020	Washer (28x40x1.5)
32	09160-10005	Washer (10.2x18.4x2.5)
32	09160-10141	Washer (10.5x19x2)
33	09202-08006	Pin, Knock
34	57130-87E01	Bush, Drive Shaft
35	09381-40005	Crimp
36	54166-99E01	Bolt, Lower Mount
37	09160-12066	Washer (12.5x22x2.5)
37	54114-96300	Washer
38	09160-12113	Washer (12.5x30x2.5)
39	09159-12014	Nut
40	55323-99E00	Spacer, Zinc Protection

DF60 70 E01 044
DRIVE SHAFT HOUSING



N° Réf.	N° Pièce	Désignation
1	55110-99E02-0EP	Case, Gear (black)
2	09263-26023	• Bearing, Pinion
3	55125-87E01	Tab, Trim
4	55127-87D00	Union, Speedometer Hose
5	55332-87D01	Rubber, Exhaust Seal
6	55333-87D02	Plate, Exhaust Seal
7	09116-08103	Bolt, Trim Tab (8x22)
8	09117-10038	Bolt (10x55)
9	09117-10039	Bolt (10x80)
10	09168-10022	Gasket, Drain Plug
11	09202-09096	Pin
12	09248-10008	Plug, Drain (10x7.5)
13	09355-40805-600	Hose
14	09362-99008	Nipple
15	09407-14403	Clamp
16	58100-95540-019	Propeller (13x13)
16	58100-95500-019	Propeller (13x15)
16	58100-95511-019	Propeller (13x17)
16	58100-95550-019	Propeller (13x18)
16	58100-95521-019	Propeller (13x19)
17	58120-95500	• Bush
18	58100-94500-019	Propeller (13 1/2x15)
18	58100-94512-019	Propeller (13 1/4x17)
18	58100-94522-019	Propeller (13x19)
18	58100-94532-019	Propeller (13x21)
18	58100-94554	Propeller (13 1/2x15)
18	58100-94581	Propeller (13 1/4x17)
18	58100-94591	Propeller (13x19)
18	58100-94571	Propeller (13x21)
19	58120-94520	• Bush
20	57632-87E00	Stopper, Propeller Bush
20	57632-87E10	Stopper, Propeller Bush
21	57633-94500	Spacer
21	57633-95501	Spacer
22	09141-18005	Nut
23	09204-03003	Cotter Pin (I:25)
24	09160-18028	Washer (18.5x31x1.0)
25	55110-87E00	Plug, Gear Case
26	57630-94500	Propeller Nut Kit
26	57630-95500	Propeller Nut Kit
27	25700-87E00	Sealing Kit, Gear Case





N° Réf.	N° Pièce	Désignation
1	55100-90803-0EP	Case, Gear (black)
2	09263-28016	• Bearing, Pinion
2a	09265-53033	• Bearing
3	55125-90JV0	Tab, Trim
3	55125-90J01	Tab, Trim
4	55127-87000	Union, Speedometer Hose
5	55321-90J01	Anode, Gear Case
6	55333-870D11	Rubber, Exhaust Seal
7	55333-870D10	Plate, Exhaust Seal
8	56145-99E01	Housing, Shift Cam
9	09100-09131	Bolt (8x7)
10	09116-08121	Bolt, Trim Tab (8x22)
11	09117-10038	Bolt (10x55)
11	09116-10141	Bolt (10x55)
12	09117-10039	Bolt (10x80)
13	09160-06085	Washer (8.5x15x1.0)
14	09168-10022	Gasket, Drain Plug
15	06202-08036	Pin
16	09206-09012	Pin
17	09248-10008	Plug, Drain (10x7.5)
18	09355-40805-600	Hose (l)
18	09355-40805-600	Hose (x)
19	09362-09038	Nipple
20	09407-14407	Clamp
20	09407-14407	Clamp
21	01550-90307	Bolt
22	58100-99E00-019	Propeller (3x13 3/4x13)
22	58100-99E10-019	Propeller (3x14x11)
22	58100-94500-019	Propeller (13 1/2x15)
22	58100-94512-019	Propeller (13 1/4x17)
22	58100-94522-019	Propeller (13x19)
22	58100-94532-019	Propeller (13x21)
22	58100-94554	Propeller (13 1/2x15)
22	58100-94581	Propeller (13 1/4x17)
22	58100-94581	Propeller (13x19)
22	58100-94571	Propeller (13x21)
23	58120-94520	• Bush
24	58100-95540-019	Propeller (13x13)
24	58100-95500-019	Propeller (13x15)
24	58100-95511-019	Propeller (13x17)
24	58100-95550-019	Propeller (13x18)
24	58100-95521-019	Propeller (13x19)
25	58120-95500	• Bush
26	57635-94511	Stopper, Propeller Bush
26	57635-95510	Stopper, Propeller Bush
27	57633-94500	Spacer
27	57633-95501	Spacer
28	09141-18005	Nut
28	09204-03033	Center Pin (l 25)
30	09160-18028	Washer (18.5x31x1.0)
31	55116-87E00	Plug, Gear Case
32	57630-94500	Propeller Nut Kit
32	57630-95500	Propeller Nut Kit
33	25700-99E00	Sealing Kit, Gear Case

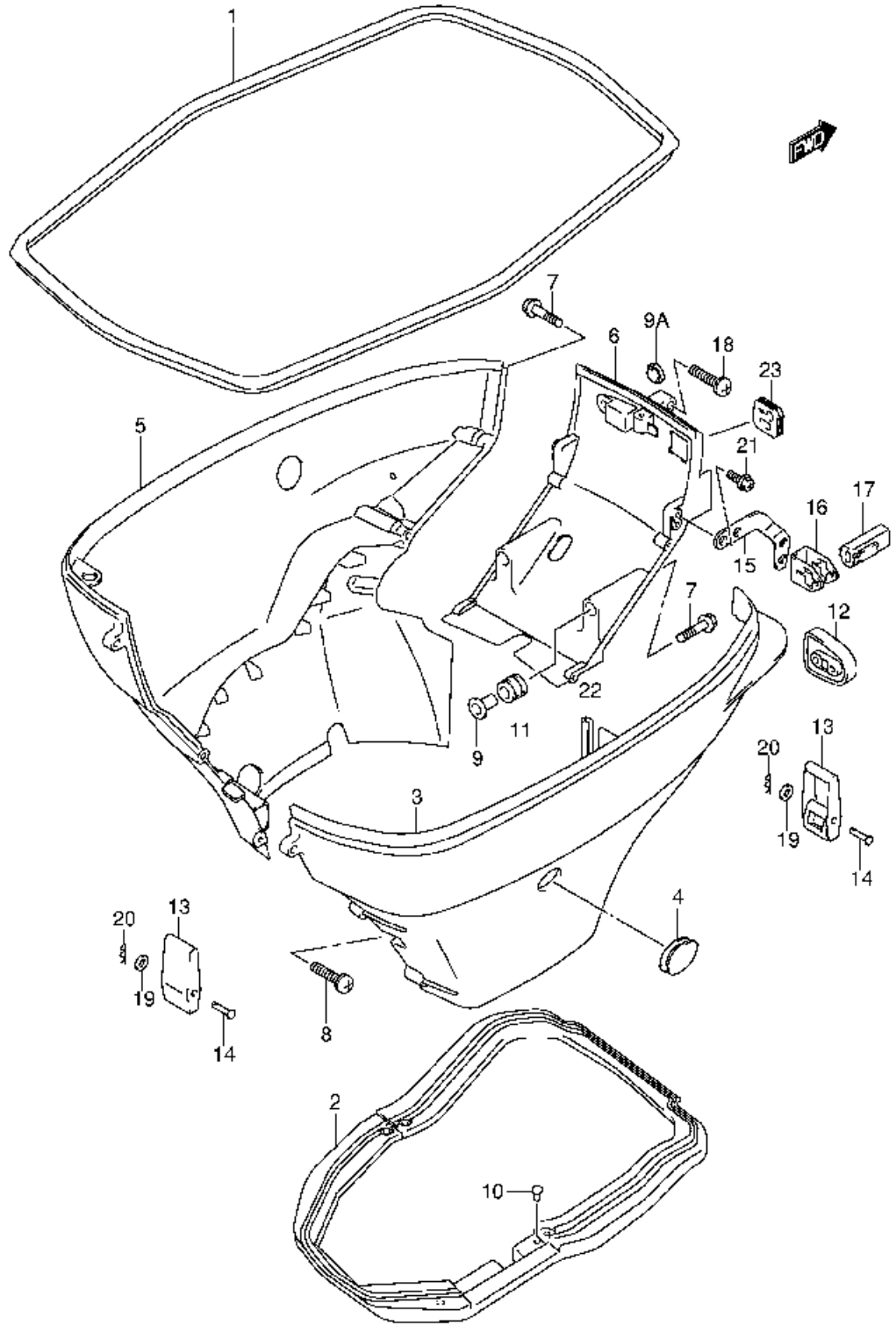
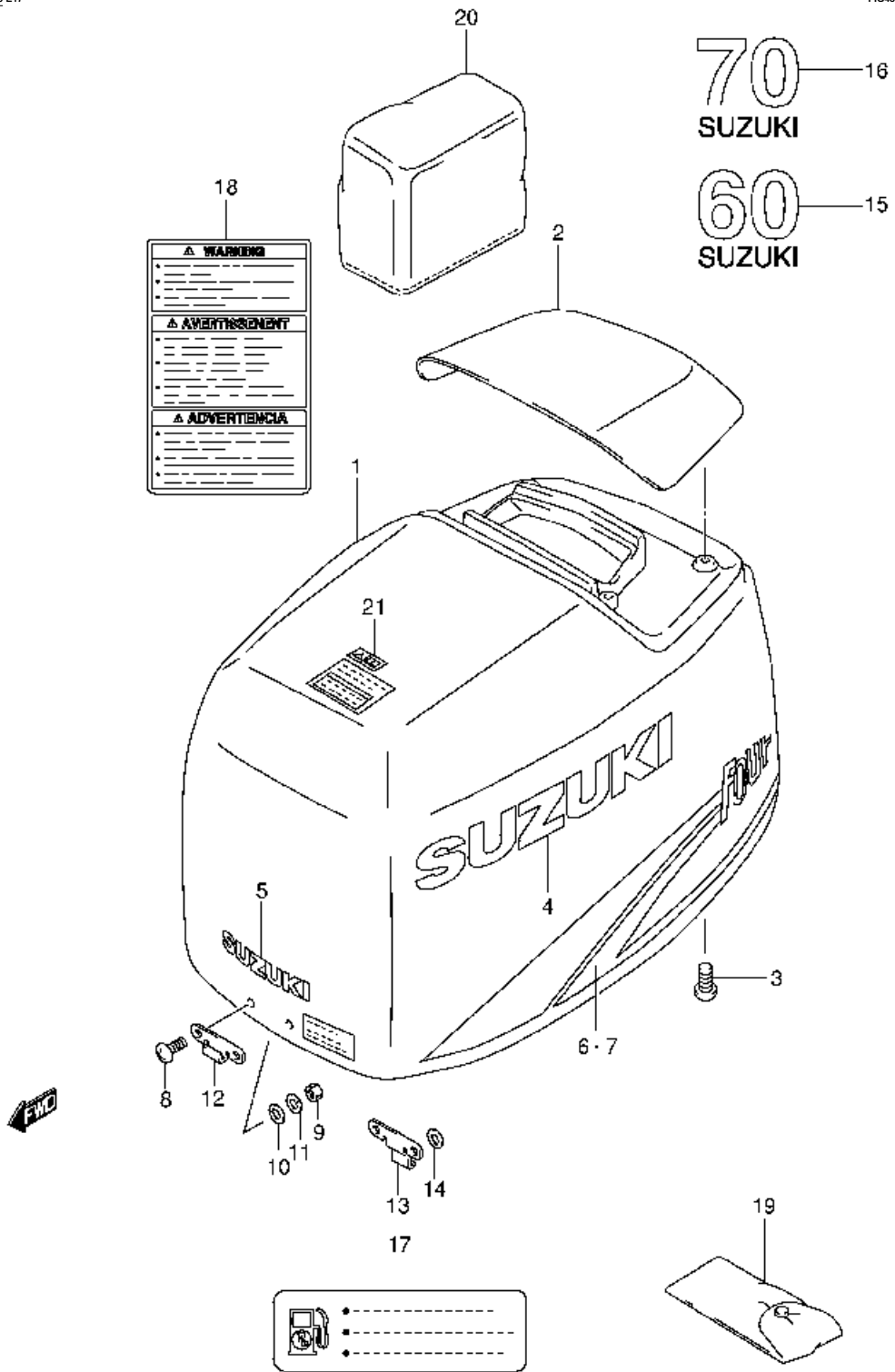


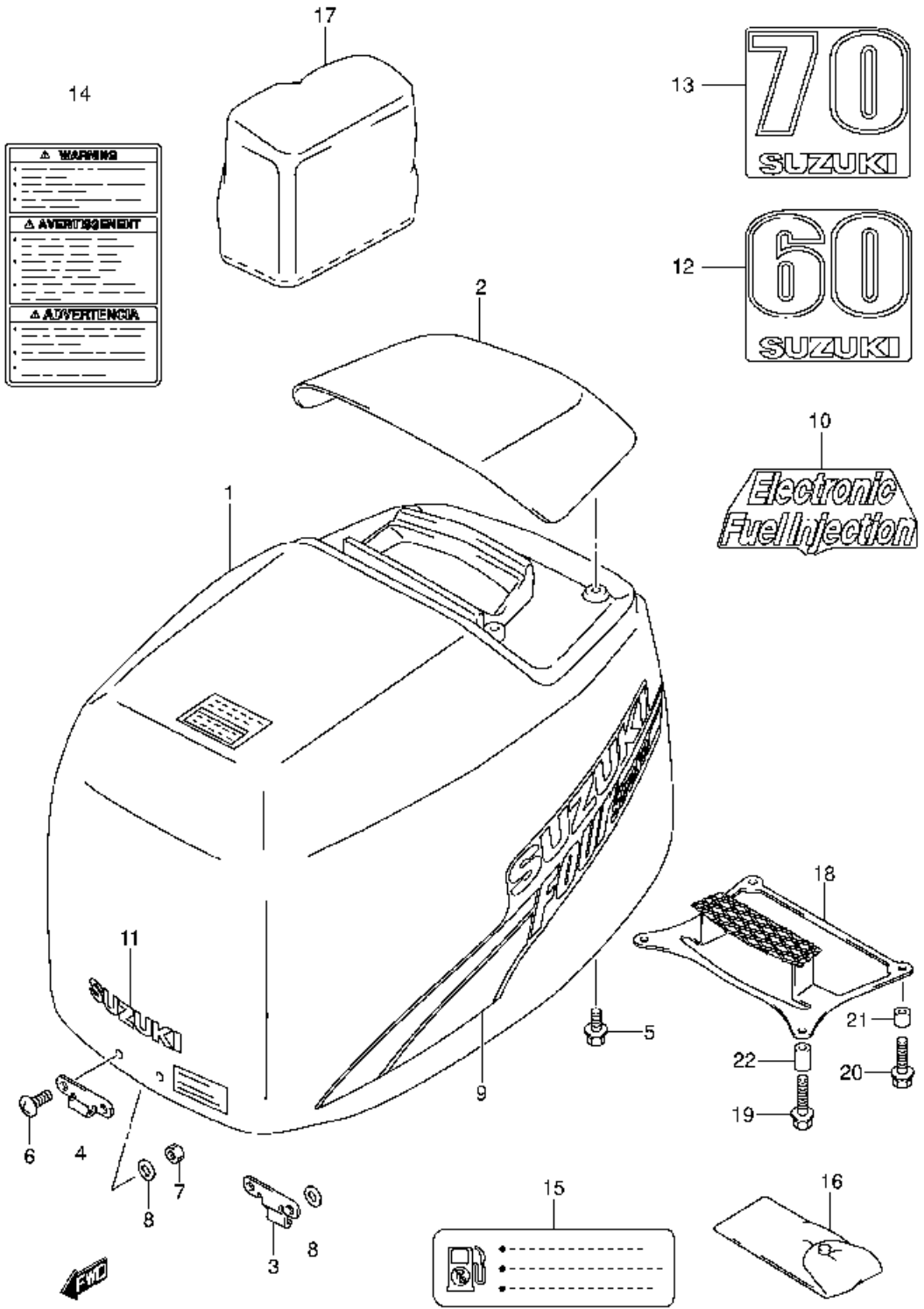
FIG48 ENGINE COVER (MODEL:98-02)



N° Réf.	N° Pièce	Désignation
1	61400-99840-0EP	Cover Set, Engine (black)
2	61431-99E01-0EP	• Handle, Top Up (black)
2	61431-99E10-0EP	• Handle, Top Up (black)
3	03542-06163	• Screw
3	09116-06106	• Screw (8x20)
4	68111-34301-Y2D	• Mark, Emblem Side (silver)
5	68271-43400-Y2D	• Mark, Emblem Front (silver)
6	61443-99E00	• Stripe, Engine Cover Side
7	61453-99E00	• Stripe, Engine Cover Port
8	09125-06025	• Screw (8x20)
9	09149-06030	• Nut
10	09160-06046	• Washer (6.5x20x1.5)
11	09162-06036	• Washer, Lock (5.1x12.2x1.5)
12	61631-99E00	• Hook, Fastener
13	61621-99E00	• Bracket, Engine Cover
14	09160-06094	• Washer
15	61435-99E00	Mark, Emblem Rear
16	61435-99E10	Mark, Emblem Rear
17	69716-99E13	Label, Fuel Limitation
18	61458-99E31	Label, Engine Cover
19	09800-81910	Tool Set
20	68110-94510	Cover, Weather
21	69712-93E10	Label, Caution

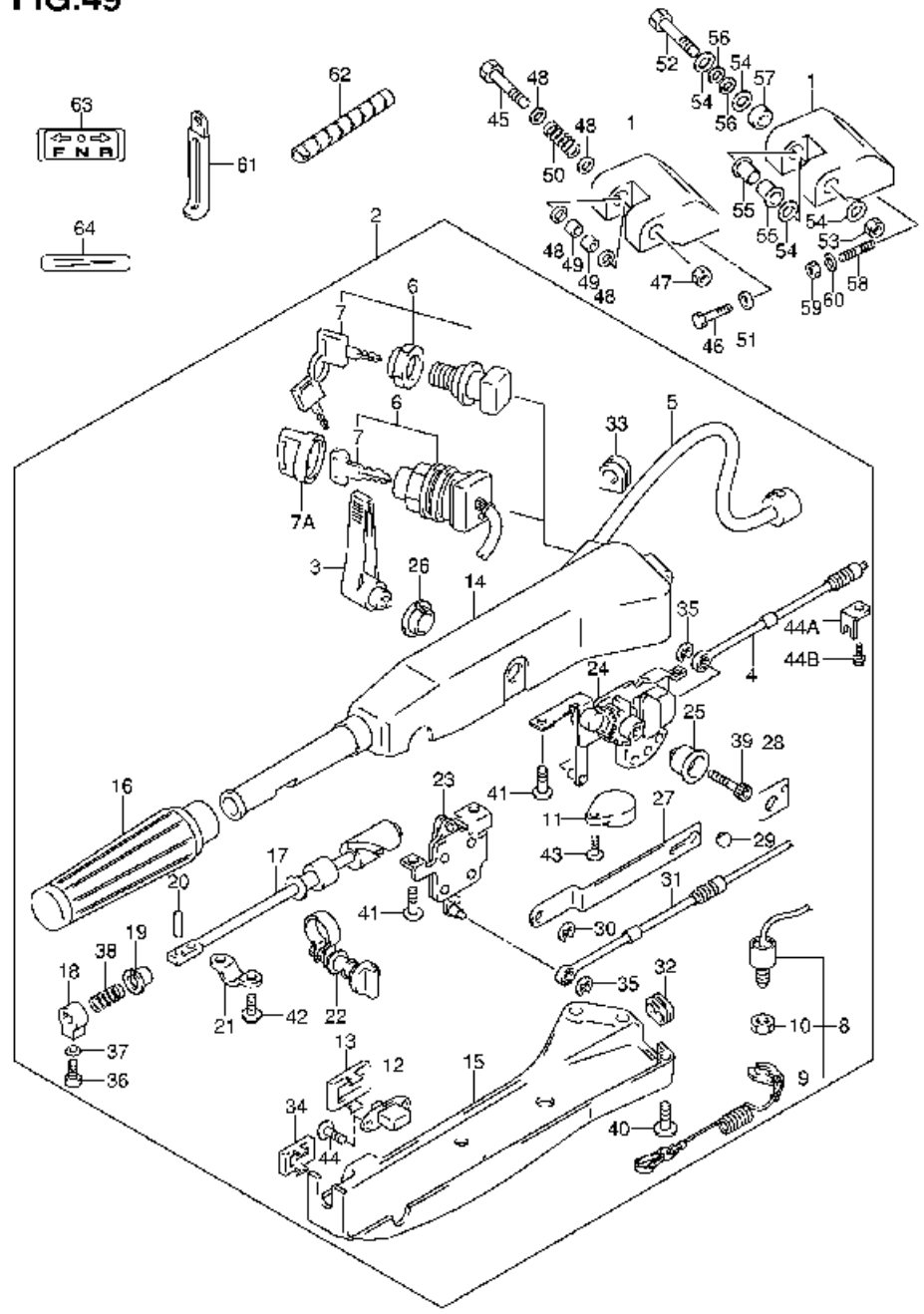
70
SUZUKI

60
SUZUKI



N° Réf.	N° Pièce	Désignation
1	61400-99881-0EP	Cover Set, Engine (black)
2	61431-99E10-0EP	• Handle, Tilt Up (black)
3	61621-99E00	• Bracket, Engine Cover
4	61631-99E00	• Hook, Engine Cover Fastener
5	29116-93J00	• Bolt (6x20)
6	09125-06025	• Screw (6x20)
7	09140-06020	• Nut
8	09160-06094	• Washer (6.5x13x1.5)
9	61443-99E71	• Stripe, Engine Cover Strbd
9	61453-99E71	• Stripe, Engine Cover Port
10	61448-87J01	• Decal, Efi
11	68271-87J00	• Mark, Emblem Front (silver)
12	61435-99E71	Mark, Emblem Rear
13	61435-99E81	Mark, Emblem Rear
14	61458-99E31	Label, Engine Cover
15	69716-99E13	Label, Fuel Limitation
16	09800-81811	Tool Set
17	68110-94510	Cover, Weather
18	61550-99E00	Plate, Air Intake Inner
19	29117-93J00	Bolt (8x45)
20	09117-06032	Bolt (6x30)
21	09180-06132	Spacer (6.5x13.5x7.5)
22	09180-06336	Spacer (6.5x13.5x22.5)

FIG.49



DF60 70 E01 049
TILLER HANDLE-C

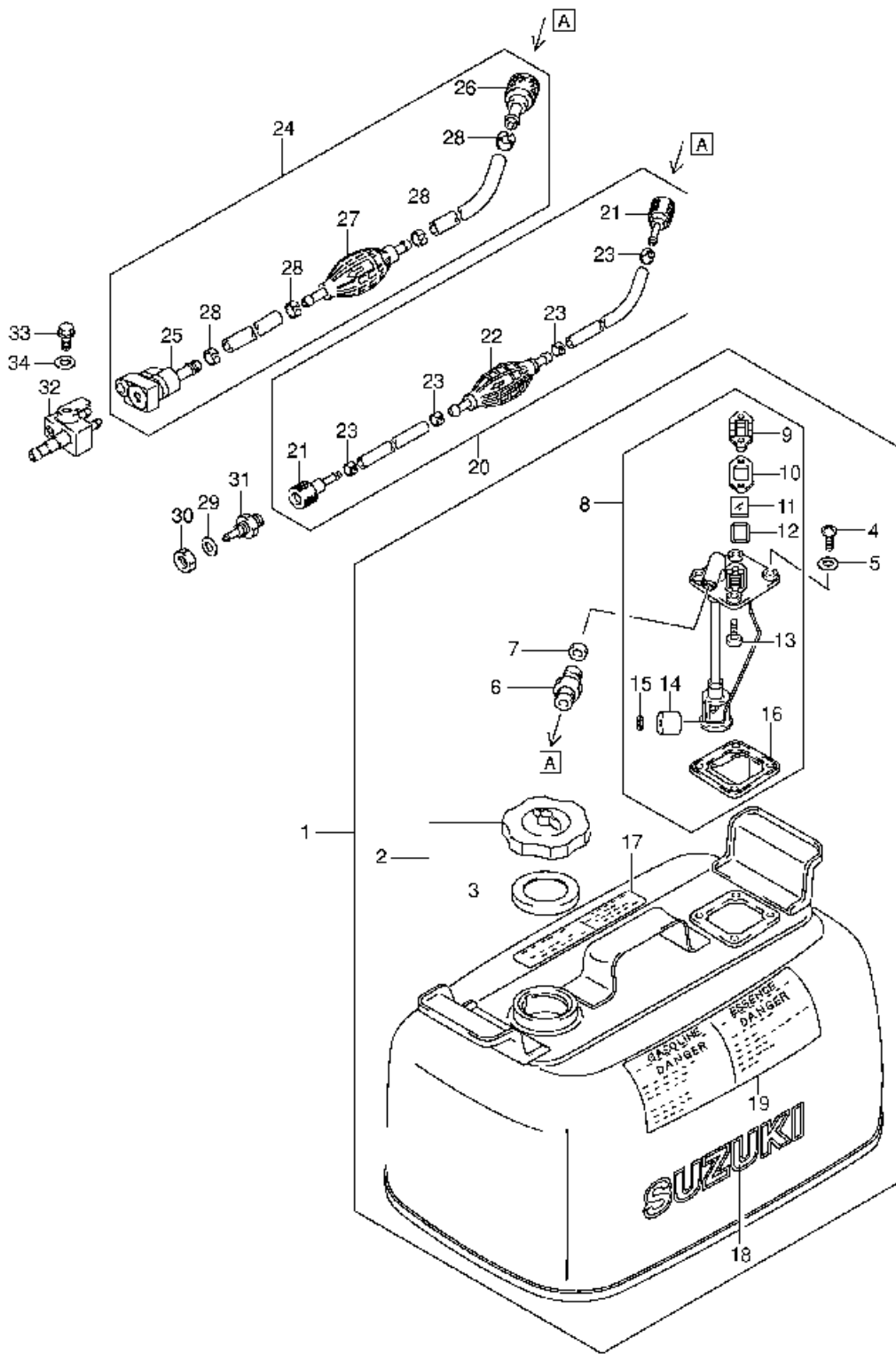
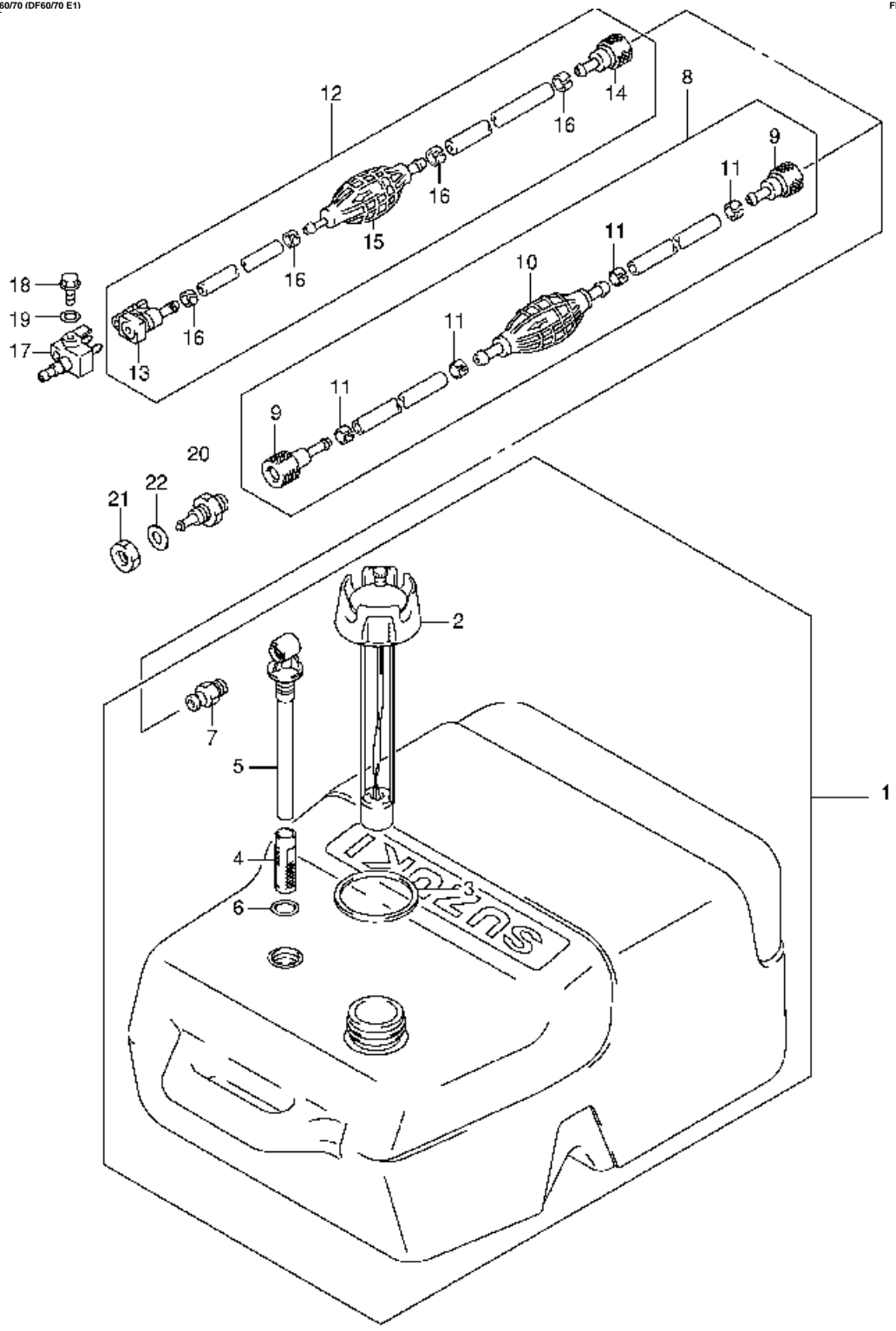
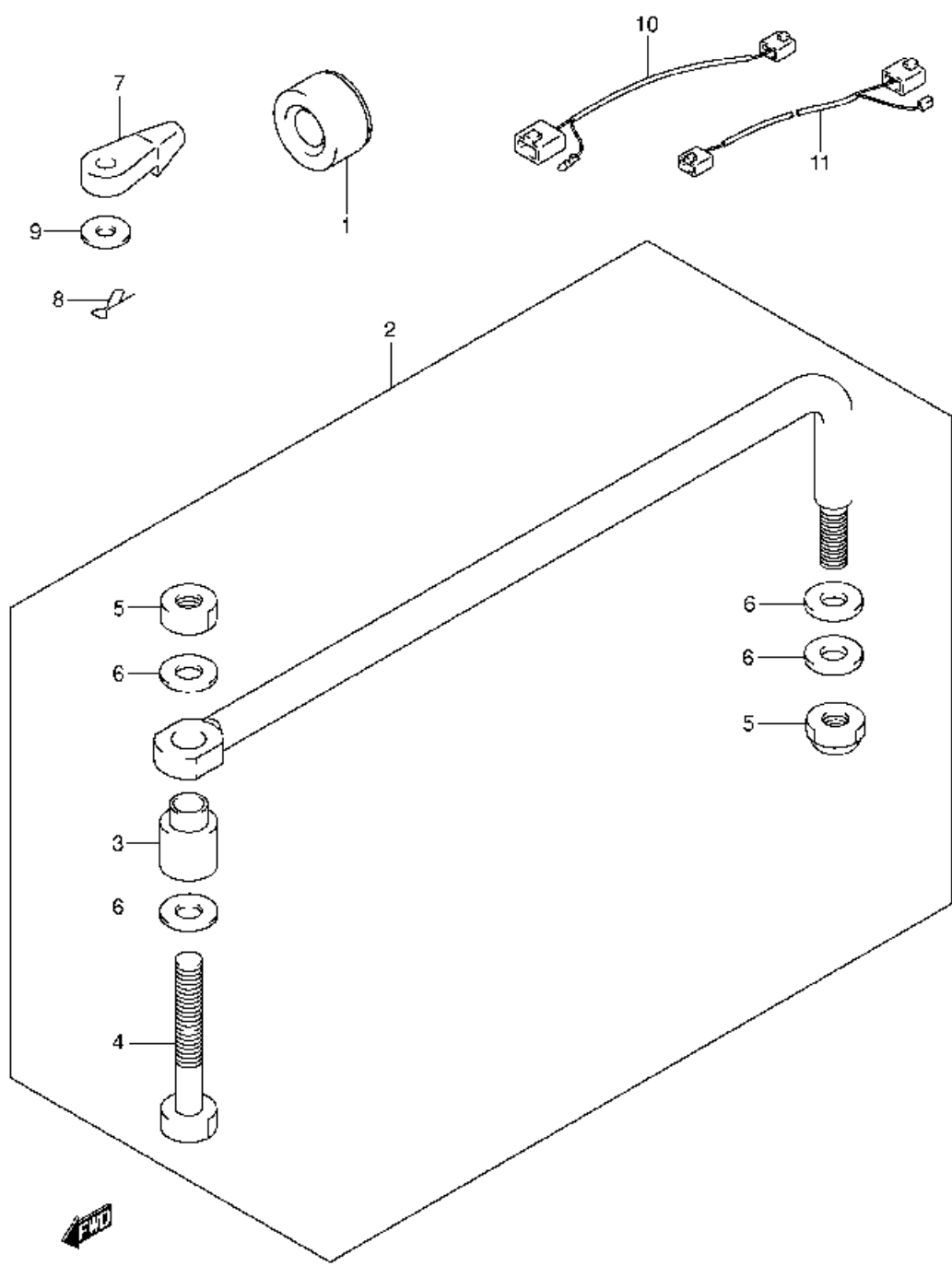


FIG50 FUEL TANK (STEEL)

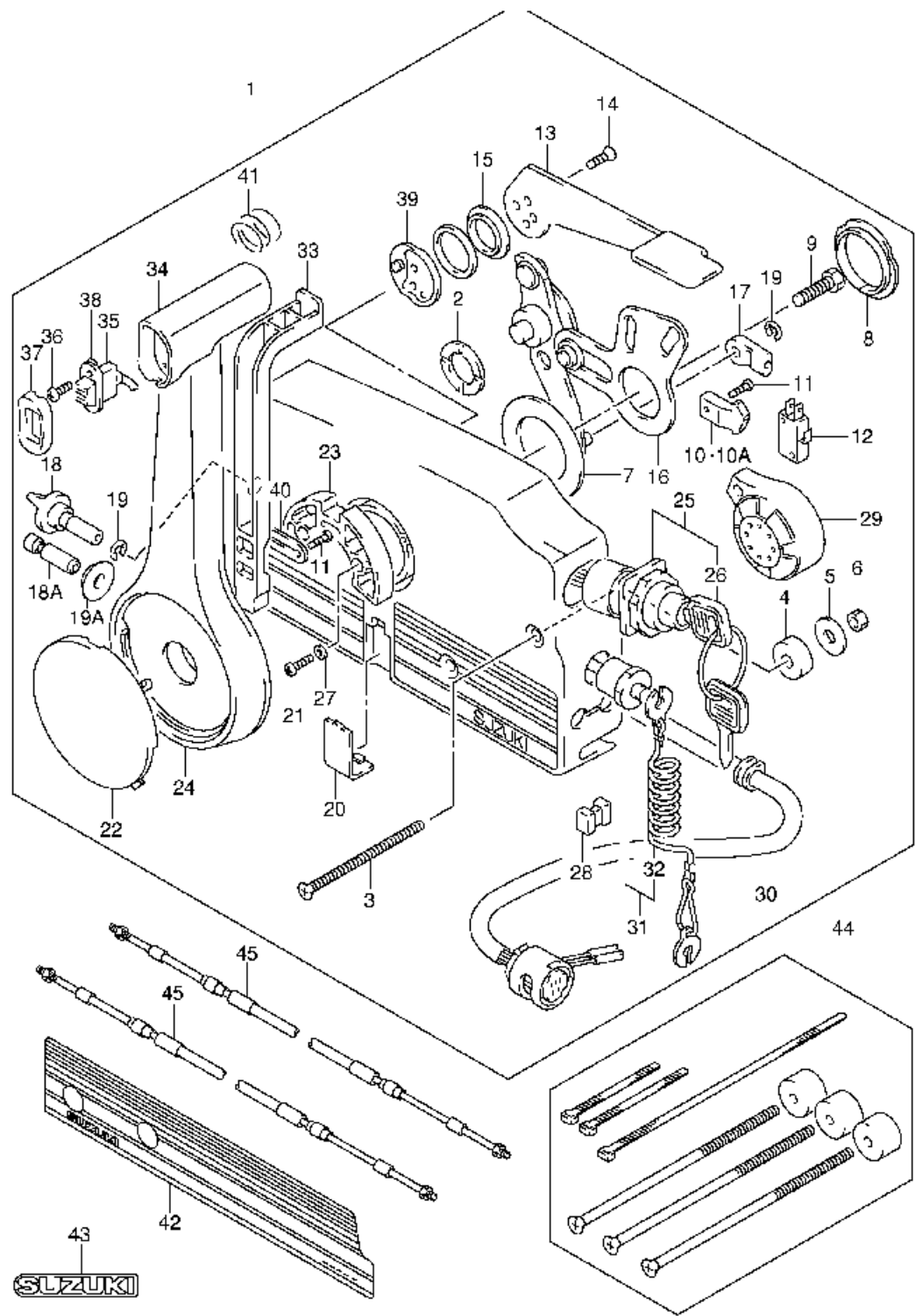
N° Réf.	N° Pièce	Désignation
1	65800-92824	Tank Set, Fuel (24)
2	65510-92D00	• Cap Assy, Separate Tank
3	65561-92D00	-- Gasket, Tank Cap
4	02142-06167	• Screw
5	09168-06026	• Washer
6	65740-95500	• Connector, Fuel
7	09168-12015	• Gasket, Connector
8	65850-92D01	-- Gauge Assy, Fuel
9	65854-92D10	-- Cover, Gauge
10	65854-92D20	-- Gasket
11	65853-92D00	-- Lens
12	65854-92D30	-- Gasket, Lens
13	03222-04883	-- Screw
14	65864-92D00	-- Float
15	65866-92D00	-- Nut, Push
16	65871-92D00	-- Gasket, Fuel
17	65317-95260	• Mark, Fuel Capacity (24)
18	61441-98500	• Mark, Ornament
19	65316-93331	• Mark, Fuel Caution
20	65700-95516	Hose, Fuel (2.550)
21	65750-95500	• Connector, Fuel
22	65770-95504	• Pump, Squeeze
23	65781-98500	• Clip
24	65700-87J10	Hose, Fuel
25	65750-87J10	• Socket, Fuel Hose
26	65750-95500	• Socket, Fuel Hose
27	65770-95504	• Pump, Squeeze
28	65781-98500	• Clip
29	03222-01127	Washer
30	09140-12038	Nut
31	65720-95511	Plug, Fuel Connector
32	65720-95680	Plug, Fuel Connector
33	09100-06237	Bolt (x12.5)
34	09160-06085	Washer



N° Réf.	N° Pièce	Désignation
1	65000-95D01	Tank Assy, Fuel (25)
2	65220-95D00	• Cap Assy, Fuel Tank
3	65561-95D00	• Gasket, Tank Cap
4	65831-95D00	• Filter, Outlet
5	65890-95D00	• Outlet Assy
6	65892-95D00	• O Ring, Fuel Outlet
7	65740-95D01	• Plug, Fuel Connector
8	65700-95516	Hose, Fuel
9	65750-95500	• Pump, Squeeze
10	65770-95504	• Clip
11	65761-98500	Hose, Fuel
12	65700-87J11	• Socket, Fuel Hose
13	65750-87J11	• Socket, Fuel Hose
14	65750-95500	• Pump, Squeeze
15	65770-95504	• Clip
16	65761-98500	Plug, Fuel Connector
17	65720-88680	Bolt (6x12.5)
18	09103-06237	Washer
19	09160-95985	Washer
20	65720-95511	Plug, Fuel Connector
21	09140-12038	Nut
22	08322-01127	Washer



N° Réf.	N° Pièce	Désignation
1	41161-94400	Seal, Steering Cable
2	67701-99E20	Link, Drag
2	67701-87J00	Link, Drag
2	67701-87J11	Link, Drag
3	67721-99E00	- Spacer
3	67721-87J00	- Spacer
4	67725-99E00	- Bolt, Drag Link
5	67726-99E00	- Nut
6	67728-99E00	- Washer
7	67467-89J01	Connector, Remoon Cable
8	09385-09112	Clip
9	09180-06055	Washer (7x12x1.0)
10	34711-99E00	Wire, Adapter To Monitor
11	36661-99E00	Wire, Adapter To Engine
12	67600-90J00	Kit, Tie Rod
13	67631-90J00	Bracket, Tie Rod
14	67725-99E10	- Bolt
15	67726-99E00	- Nut
16	09100-12081	- Bolt
17	09160-12066	- Washer
18	09180-09022	- Spacer
19	67620-99E00	Kit, Tie Rod Adapter
20	09111-10064	- Bolt
21	09160-12066	- Washer
22	09180-09023	- Spacer



N° Réf.	N° Pièce	Désignation
1	67200-99E11-0EP	Remote Control Box (black)
1	67200-99E30-0EP	Remote Control (black)
2	67233-95600	• Bush
3	67296-95600	• Screw
4	67294-95600	• Spacer
5	09140-06104	• Washer
6	09140-06220	• Nut
7	67253-95600	• Washer
8	67252-95600	• Bush
9	09100-08232	• Bolt (8x30)
10	67214-95600	• Actuator
10a	67238-87D00	• Gear, Drive
11	67296-94300	• Screw
12	37721-94600	• Switch, Neutral
13	67241-99E00	• Lever, Free Throttle
14	09126-05003	• Screw (6x12)
15	67243-95600	• Bush
16	67220-95630	• Plate Assy
17	67275-95600	• End, Cable
18	67223-95600	• Knob, Brake Adjust
18a	67223-99E00	• Knob, Brake Adjust
19	67292-94300	• E Ring
19a	09308-08001	• Grommet
20	67267-95610	• Cover, Wire
21	67296-95610	• Screw
22	67257-95610	• Cap, Lever
23	67256-95600	• Holder, Neutral Lock
24	67251-99E00	• Lever, Handle
25	37110-92E02	• Switch Assy, Ignition
26	37141-92E00	-- Key (11)
26	37141-92E10	-- Key (12)
26	37141-92E20	-- Key (13)
26	37141-92E30	-- Key (14)
26	37141-92E40	-- Key (15)
26	37141-92E50	-- Key (16)
26	37141-92E60	-- Key (17)
26	37141-92E70	-- Key (18)
26	37141-92E80	-- Key (19)
26	37141-92E90	-- Key (20)
27	67297-95600	• Washer
28	67273-95600	• Spacer
29	38500-92X50	• Buzzer
29	38500-92E10	• Buzzer
30	38500-92E10	• Wiring Harness
30	36620-92E10	• Wiring Harness
31	37620-92E00	• Switch Assy, Emergency
32	37623-92E00	• Plate
33	67255-95600	• Arm, Neutral Lock
34	67291-95600	• Grip
35	37860-94610	• Switch, Trim
36	09158-02003	• Screw (2x5.0)
37	67263-95600	• Cap, Grip
38	37869-95690	• Cap, Trim Switch
39	67245-95600	• Drum Assy, Free Throttle
40	67258-87D00	• Bracket, Neutral Arm
41	67258-87D00	• Spring, Neutral Arm
42	67292-95610	Decal, Remocon Box (black)
43	68165-16800-13L	Emblem, Suzuki (silver)
44	67140-95600	Attachment, Twin Remocon Kit
45	67320-89J11	Cable, Remocon 8f (2.4m)
45	67320-89J21	Cable, Remocon 10f (3.1m)
45	67320-89J31	Cable, Remocon 12f (3.7m)
45	67320-89J41	Cable, Remocon 14f (4.3m)
45	67320-89J51	Cable, Remocon 16f (4.9m)
45	67320-89J61	Cable, Remocon 18f (5.5m)
45	67320-89J71	Cable, Remocon 20f (6.1m)
45	67320-89J81	Cable, Remocon 22f (6.7m)
45	67320-89J90	Cable, Remocon 24f (7.3m)

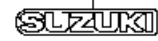
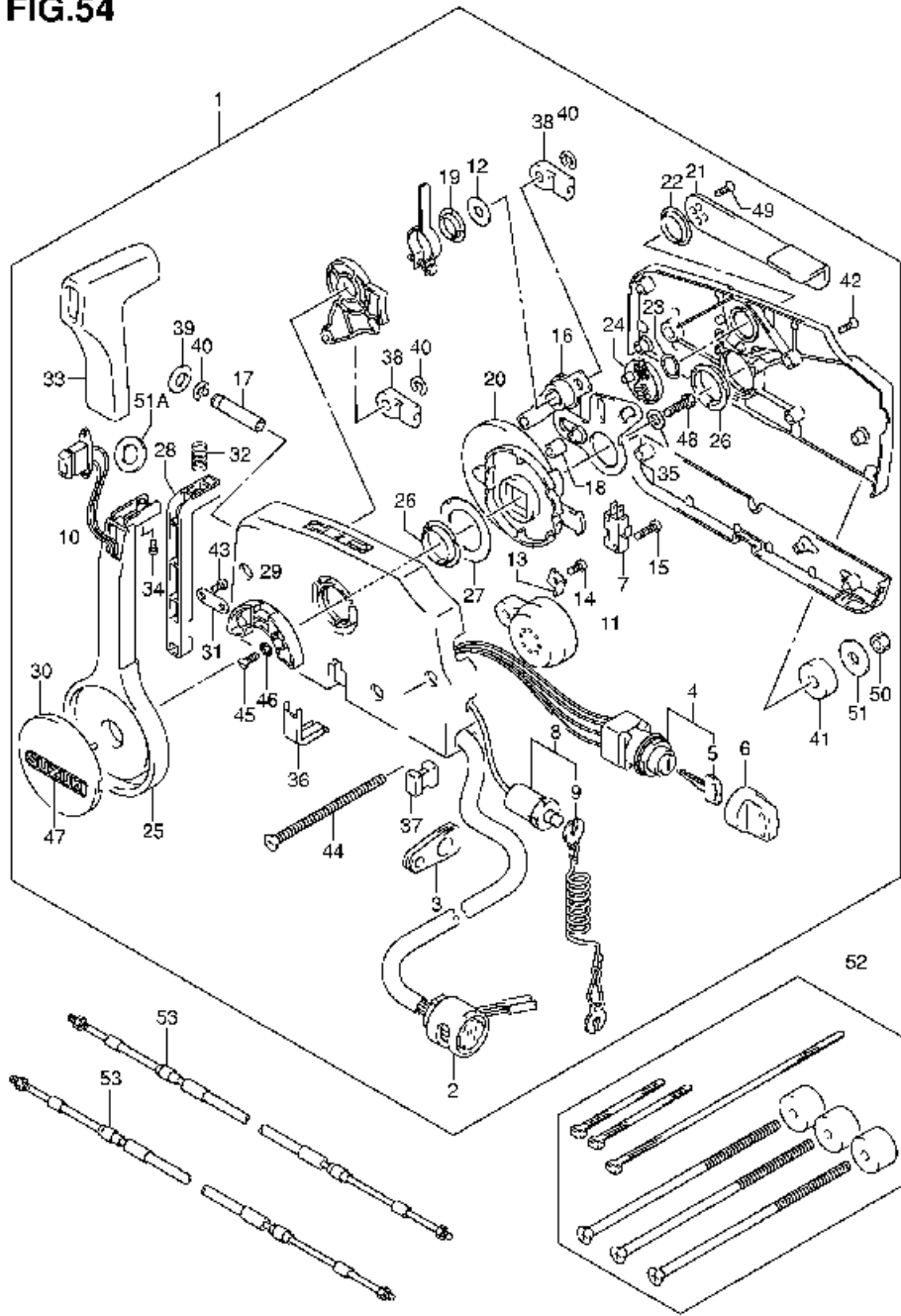


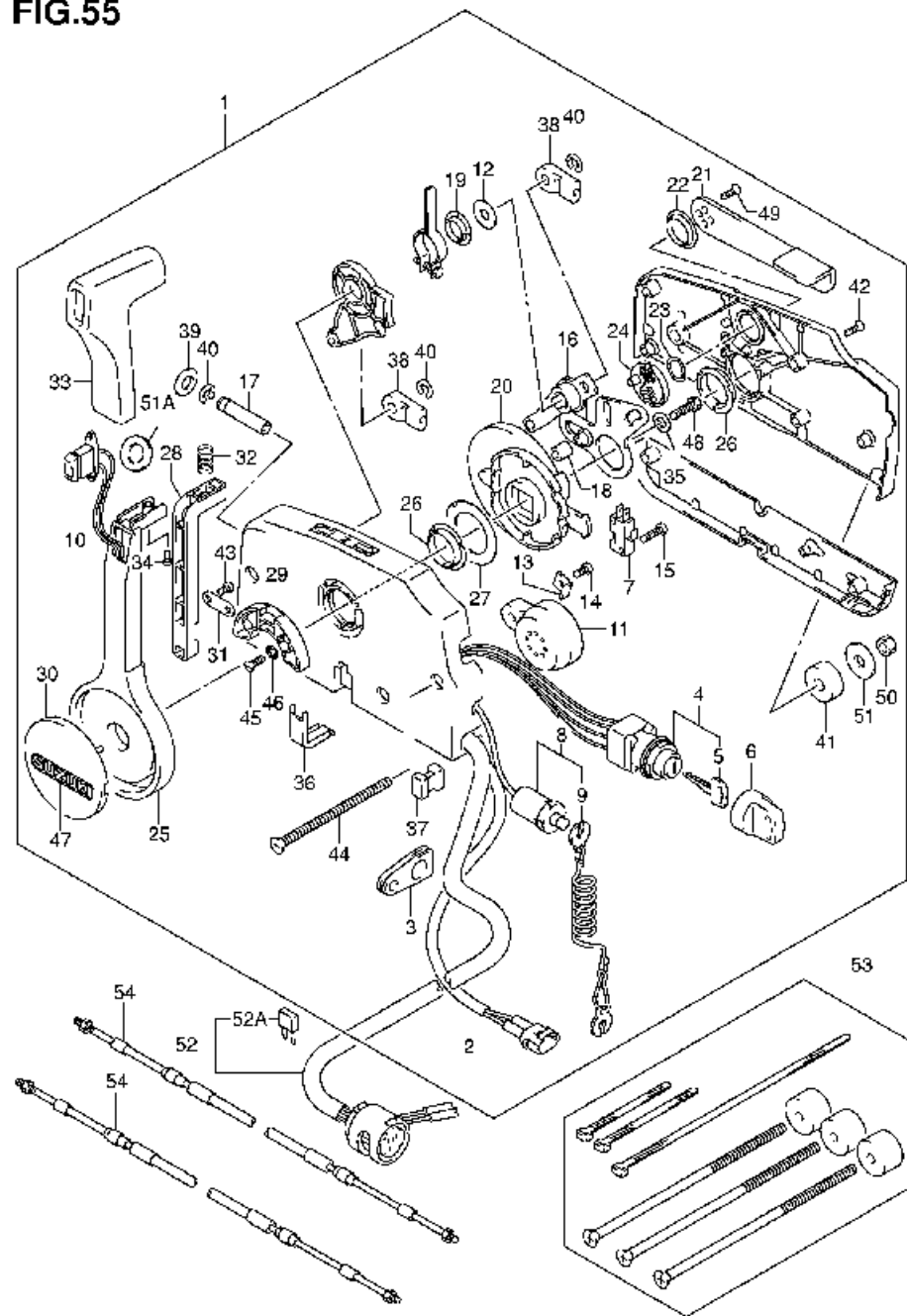
FIG.54



N° Réf.	N° Pièce	Désignation
1	67200-99E50	Remote Control Box
2	36620-92E20	• Wire Assy, Remocon
3	36529-92E50	• Grommet
4	37110-99E00	• Switch Assy, Ignition
5	37141-99E00	-- Key (S31)
5	37141-99E10	-- Key (S32)
5	37141-99E20	-- Key (S33)
5	37141-99E30	-- Key (S34)
5	37141-99E40	-- Key (S35)
5	37141-99E50	-- Key (S36)
5	37141-99E60	-- Key (S37)
5	37141-99E70	-- Key (S38)
5	37141-99E80	-- Key (S39)
5	37141-99E90	-- Key (S40)
5	37141-99E40	-- Key (S41)
5	37141-99E50	-- Key (S42)
6	37143-99E00	• Cap, Key
7	3721-94400	• Switch, Neutral
8	37620-92E00	• Switch Assy, Emergency
9	37820-92E00	• Plate
10	37850-90300	• Switch Assy, Pitt
11	38500-92E10	• Buzzer, Warning
12	67212-95600	• Washer
13	67213-92E00	• Bracket, Buzzer
14	67214-92E10	• Screw, Buzzer Brkt
15	67216-94600	• Screw, Buzzer Brkt
16	67220-95630	• Plate Assy
17	67223-99E10	• Knob, Brake Adjust
18	67229-95600	• Roller
19	67232-95600	• Bush
20	67238-87000	• Gear, Drive
21	67241-99E10	• Lever, Free Throttle
22	67243-95600	• Bush
23	67244-95600	• Wave Washer
24	67245-95600	• Drum, Free Throttle
25	67251-99E10	• Lever, Handle
26	67252-95600	• Bush
27	67253-95600	• Washer
28	67255-99E00	• Arm, Lock
29	67256-95600	• Holder, Neut Lock
30	67257-99E00	• Cap, Lever
31	67258-99E00	• Bracket
32	67259-87000	• Spring, Neutral Arm
33	67261-99E00	• Grip
34	67262-95600	• Screw, Buzzer Brkt
35	67264-95600	• Washer
36	67267-95610	• Cover, Wire
37	67273-95600	• Spacer
38	67275-95600	• End, Cable
39	67288-99E00	• Washer
40	67292-94400	• E Ring
41	67294-95600	• Spacer
42	67296-90300	• Screw, Cover
43	67296-94300	• Screw
44	67296-95600	• Screw
45	67296-95610	• Screw
46	67297-95600	• Washer
47	68165-16900-13L	• Emblem, Suzuki
48	09100-00232	• Bolt
49	09128-05003	• Screw
50	09140-06020	• Nut
51	09160-96104	• Washer
51a	37859-90300	• Spacer
52	67140-95600	Attachment, Twin Remocon Kit
53	67320-93300	Cable, Remocon 8f (2.4m)
53	67320-93310	Cable, Remocon 10f (3.1m)
53	67320-93320	Cable, Remocon 12f (3.7m)
53	67320-93330	Cable, Remocon 14f (4.3m)
53	67320-93340	Cable, Remocon 16f (4.9m)
53	67320-93350	Cable, Remocon 18f (5.5m)
53	67320-93360	Cable, Remocon 20f (6.1m)
53	67320-93370	Cable, Remocon 22f (6.7m)
53	67320-93380	Cable, Remocon 24f (7.3m)

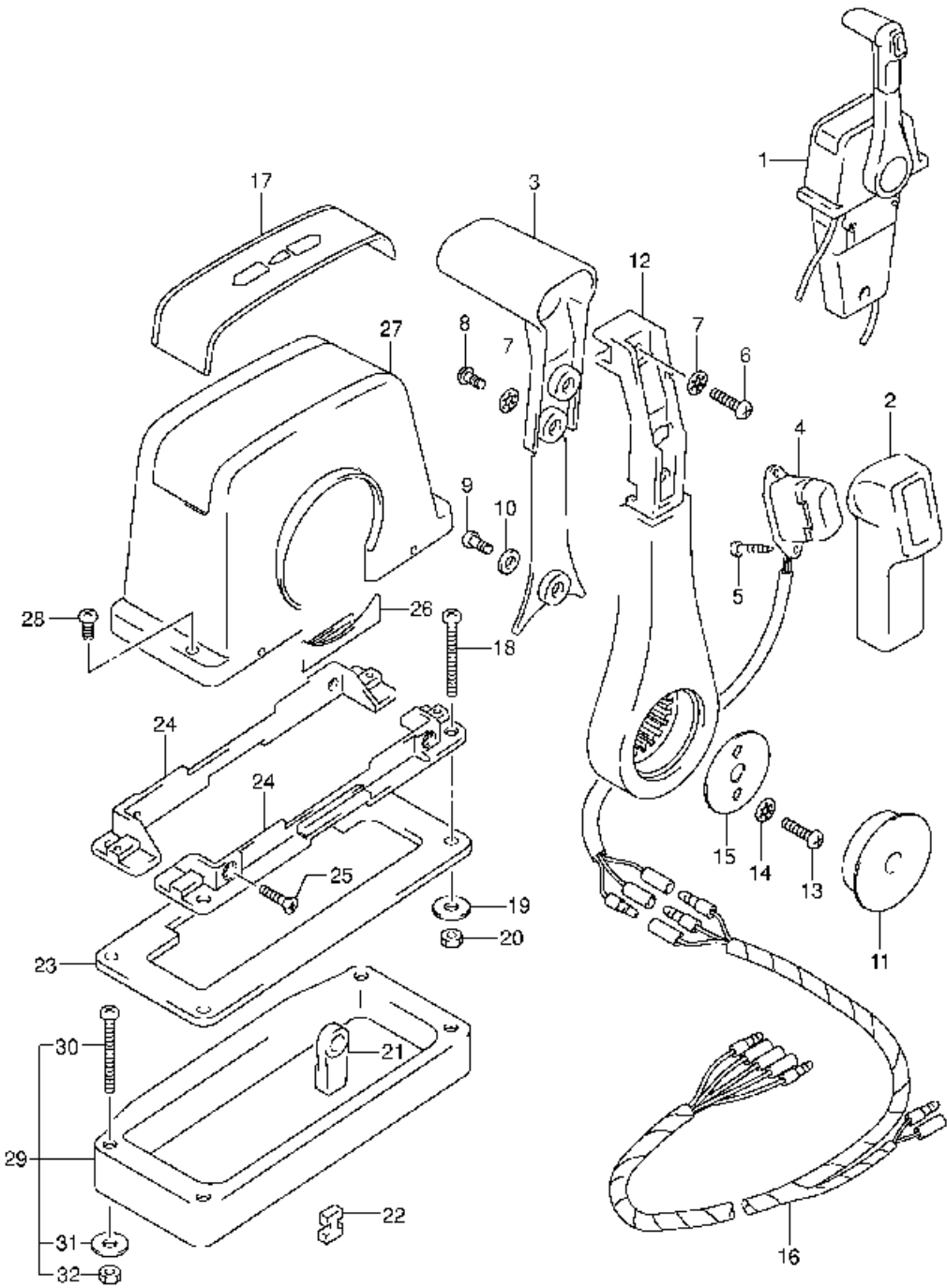
DF60 70 E01 054
REMOTE CONTROL

FIG.55



N° Réf.	N° Pièce	Désignation
1	67200-93J00	Remote Control Assy
2	36846-93J00	• Wire Assy, Ptt Sw Adapter
3	36628-92E00	• Grommet, Wire Harness
4	37110-93J00	• Switch Assy, Ignition
5	37141-99E00	-- Key (S31)
5	37141-99E10	-- Key (S32)
5	37141-99E20	-- Key (S33)
5	37141-99E30	-- Key (S34)
5	37141-99E40	-- Key (S35)
5	37141-99E50	-- Key (S36)
5	37141-99E60	-- Key (S37)
5	37141-99E70	-- Key (S38)
5	37141-99E80	-- Key (S39)
5	37141-99E90	-- Key (S40)
5	37141-99E0A0	-- Key (S41)
5	37141-99E8B0	-- Key (S42)
6	37143-99E00	• Cap, Key
7	37221-93J90	• Switch, Neutral
8	37820-93J00	• Switch Assy, Emergency
9	37823-92E01	• Plate
10	37850-90J03	• Switch Assy, Ptt
11	38500-93J90	• Buzzer
12	67212-95600	• Washer
13	67213-92E00	• Bracket, Buzzer
14	09125-95942	• Screw, Buzzer Brkt
15	67296-92E10	• Screw, Neutral Sw
16	67223-95630	• Plate Assy
17	67223-99E10	• Knob, Brake Adj
18	67229-95600	• Roller
19	67232-95600	• Bush
20	67238-87D00	• Gear, Drive
21	67241-99E10	• Lever, Free Throttle
22	67243-95600	• Bush
23	67244-95600	• Washer, Wave
24	67245-95600	• Diem, Free Throttle
25	67251-99E10	• Lever, Handle
26	67253-95600	• Bush
27	67253-95600	• Washer
28	67255-99E00	• Arm, Lock
29	67256-95600	• Holder, Nut Lock
30	67257-99E00	• Cap, Lever
31	67258-99E00	• Bracket, Lock Arm
32	67259-87D00	• Spring, Neutral Arm
33	67261-99E00	• Grip
34	67296-94310	• Screw
35	67264-95600	• Washer
36	67267-95610	• Cover, Wire
37	67273-95600	• Spacer
38	67275-95600	• End, Cable
39	67296-92E00	• Washer, Brake Adj Knob
40	67292-94300	• E Ring
41	67294-95600	• Spacer
42	67296-90J00	• Screw
43	67296-94300	• Screw
44	67296-95600	• Screw
45	67296-95610	• Screw
46	67297-95600	• Washer
47	68165-16800-13L	• Emblem
48	09100-08232	• Bolt
49	09126-95033	• Screw
50	09140-06020	• Nut
51	09160-06104	• Washer
51a	37850-90J00	• Spacer
52	36620-93J00	Wire Assy, Remote Control
52	36620-93J50	Wire Assy, Remote Control
52	36620-93J60	Wire Assy, Remote Control
52a	09481-10501	• Fuse (10a)
53	67140-95600	Attachment, Twin Remocon Kit
54	67320-93J00	Cable, Remocon 8f (2.4m)
54	67320-93J10	Cable, Remocon 10f (3.1m)
54	67320-93J20	Cable, Remocon 12f (3.7m)
54	67320-93J30	Cable, Remocon 14f (4.2m)
54	67320-93J40	Cable, Remocon 16f (4.8m)
54	67320-93J50	Cable, Remocon 18f (5.4m)
54	67320-93J60	Cable, Remocon 20f (6.0m)
54	67320-93J70	Cable, Remocon 22f (6.7m)
54	67320-93J80	Cable, Remocon 24f (7.3m)

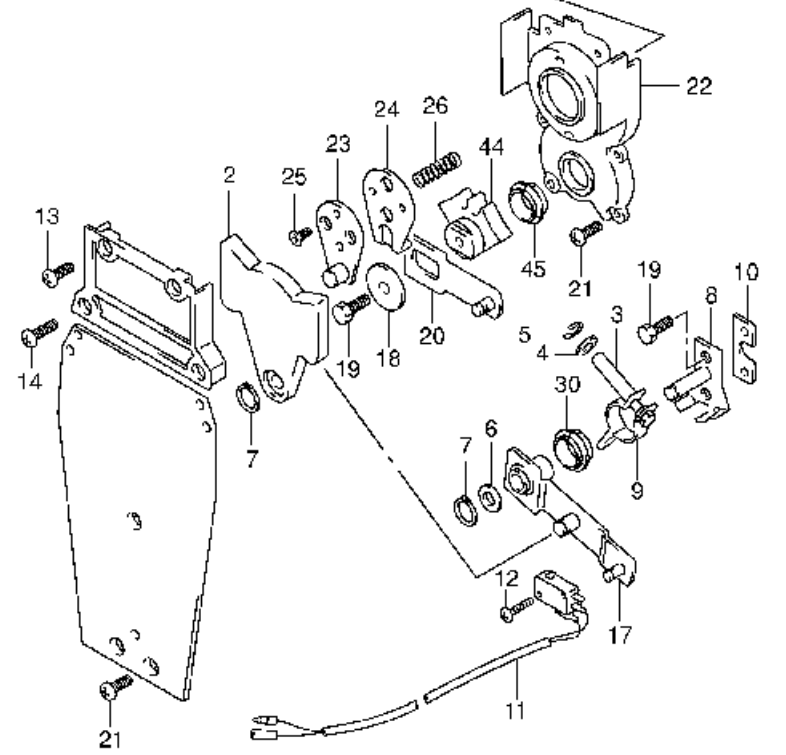
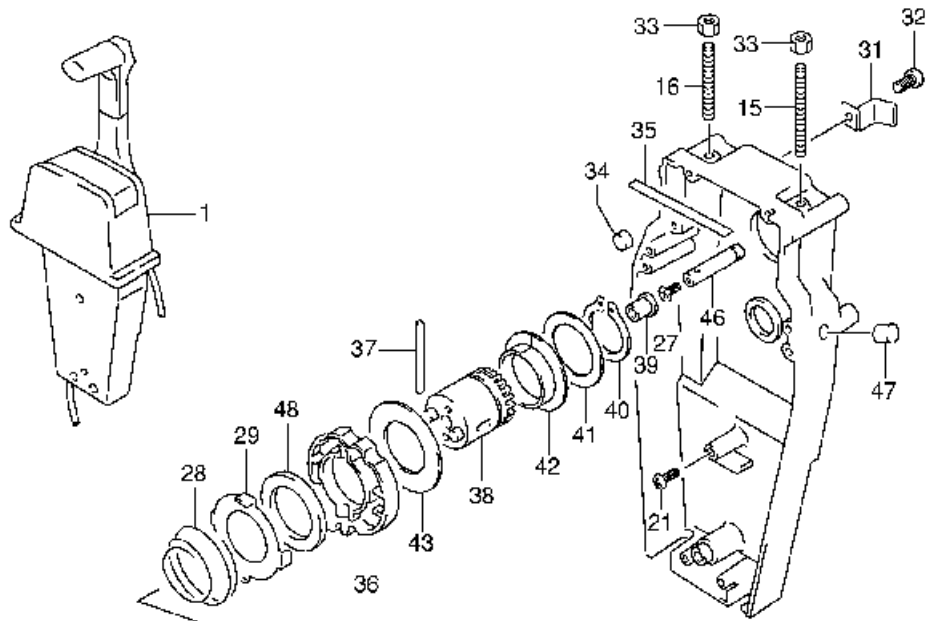
DF60 70 E01 055
REMOTE CONTROL

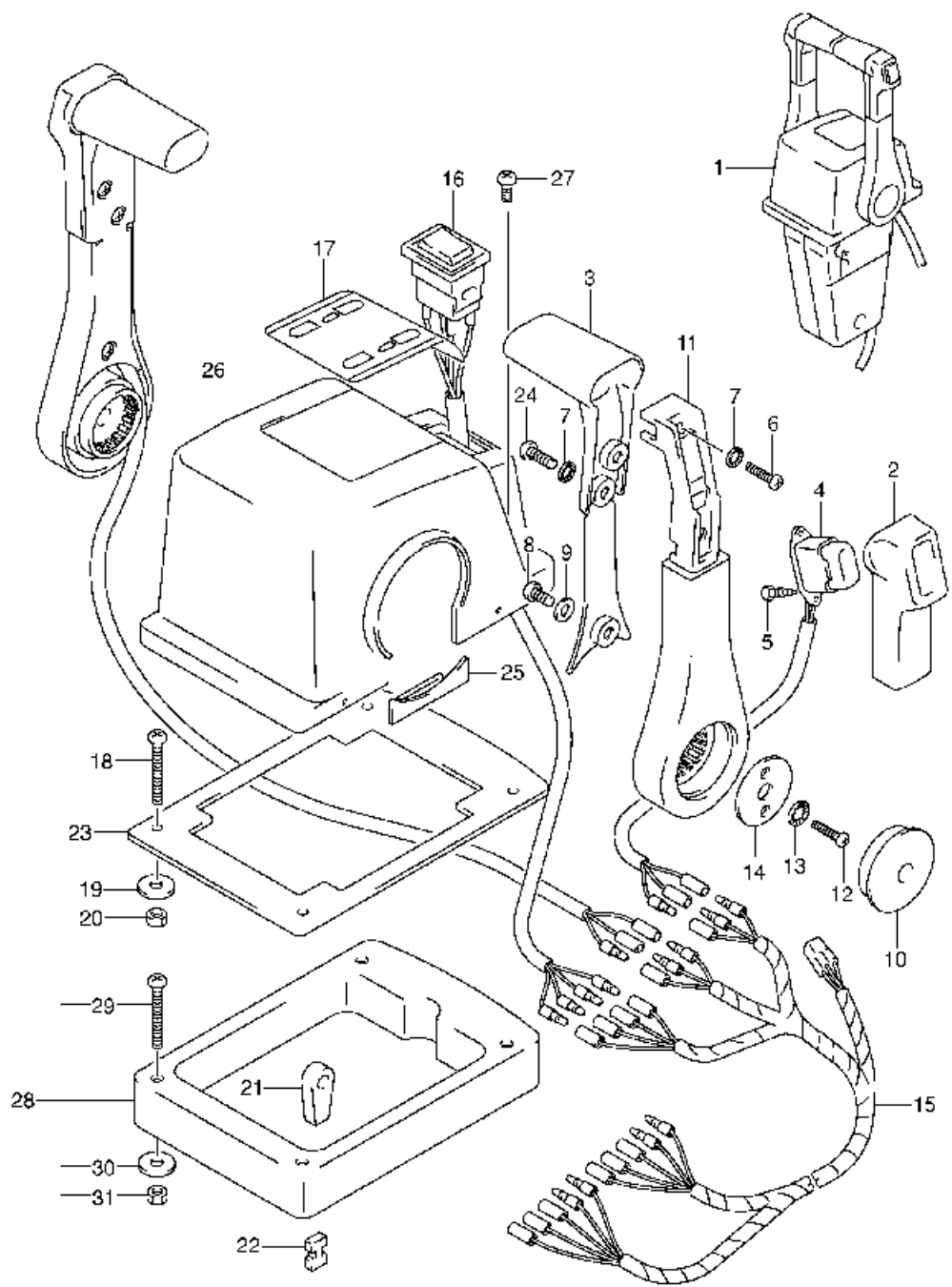


N° Réf.	N° Pièce	Désignation
1	67200-93J12	Remote Control Assy
2	67261-93J00	- Grip, No.1
3	67263-93J00	- Grip, No.2
4	37850-93J10	- Switch Assy, Ptt
5	67296-92E10	- Screw
6	67296-98D10	- Screw
7	67288-92E20	- Washer
8	67295-92E00	- Screw
9	67296-92E70	- Screw
10	67288-92E40	- Washer
11	67257-92E00	- Cap, Lever
12	67251-93J00	- Lever, Handle
13	67296-92E50	- Screw
14	67288-92E30	- Washer
15	67253-92E00	- Washer
16	36896-93J00	- Wire Harness
17	67281-93J00	- Decal
18	67296-92E30	- Screw
19	09160-95024	- Washer
20	67287-92E00	- Nut
21	67275-95600	- End, Cable
22	67273-95600	- Spacer
23	67274-92E00	- Grommet
24	67274-92E00	- Flange
25	67296-95E10	- Screw
26	67271-92E00	- Cover
27	67211-93J00	- Cover
28	67296-92E70	- Screw
29	67500-93J00	Kit, Remcon Spacer Single
30	09125-05135	- Screw
31	09160-95029	- Washer
32	09140-95005	- Nut

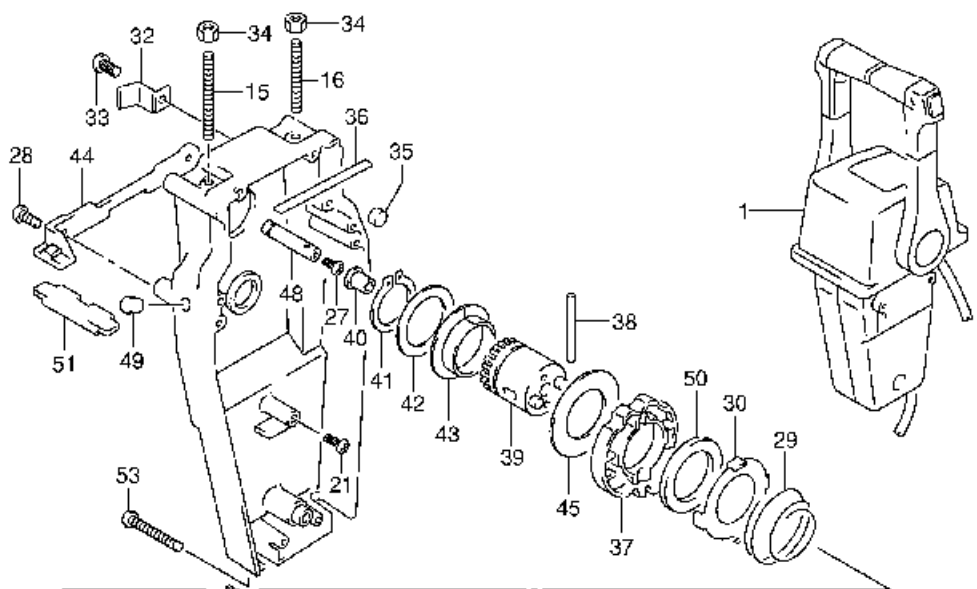
N° cliché Titre du cliché
FIG57 OPT:TOP MOUNT SINGLE (2)(MODEL:05-08)

N° Réf.	N° Pièce	Désignation
1	67200-83J12	Remote Control Assy
2	67222-92E00	• Dual Plate
3	67223-92E00	• Brake Adjust
4	67289-92E00	• Washer
5	67292-84300	• E Ring
6	67298-92E10	• Washer
7	67291-92E00	• Snap Ring
8	67221-92E00	• Shift Assy
9	67224-92E00	• Brake Arm Assy
10	67294-92E00	• Spacer
11	37721-95000	• Switch Assy, Nr
12	67298-92E10	• Screw (3x15)
13	67296-88D10	• Screw (5x16)
14	67296-92E20	• Screw (5x20)
15	67226-92E00	• Bolt, Stopper Front
16	67226-92E10	• Bolt, Stopper Rear
17	67240-92E00	• Arm Assy, Throttle
18	67228-92E00	• Washer
19	67296-92E00	• Bolt (x18)
20	67230-92E00	• Arm Assy, Shift
21	09125-05042	• Screw (5x10)
22	67234-92E00	• Case, Gear
23	67245-92E00	• Lever Assy, Throttle
24	67227-92E00	• Stopper
25	09126-06006	• Screw (6x20)
26	67225-92E00	• Spring
27	09125-04004	• Screw (4x6)
28	67233-92E00	• Spring
29	67235-92E00	• Plate, Shift Lock
30	67232-95620	• Bush
31	67269-92E00	• Bracket
32	67296-88D10	• Screw
33	09140-06020	• Nut
34	67298-92E00	• Roller
35	67237-92E01	• Spring
36	67238-92E00	• Gear, Drive
37	67239-92E00	• Pin
38	67246-92E00	• Shift, Drive
39	67255-92E00	• Bush
40	67291-92E10	• Snap Ring
41	67253-92E10	• Washer
42	67252-92E10	• Bush
43	67253-95600	• Washer
44	67231-92E00	• Gear, Shift
45	67232-95600	• Bush
46	67241-92E00	• Rod, Free Acc
47	67243-92E00	• Grommet
48	67239-92E10	• Plate, Shift Pin

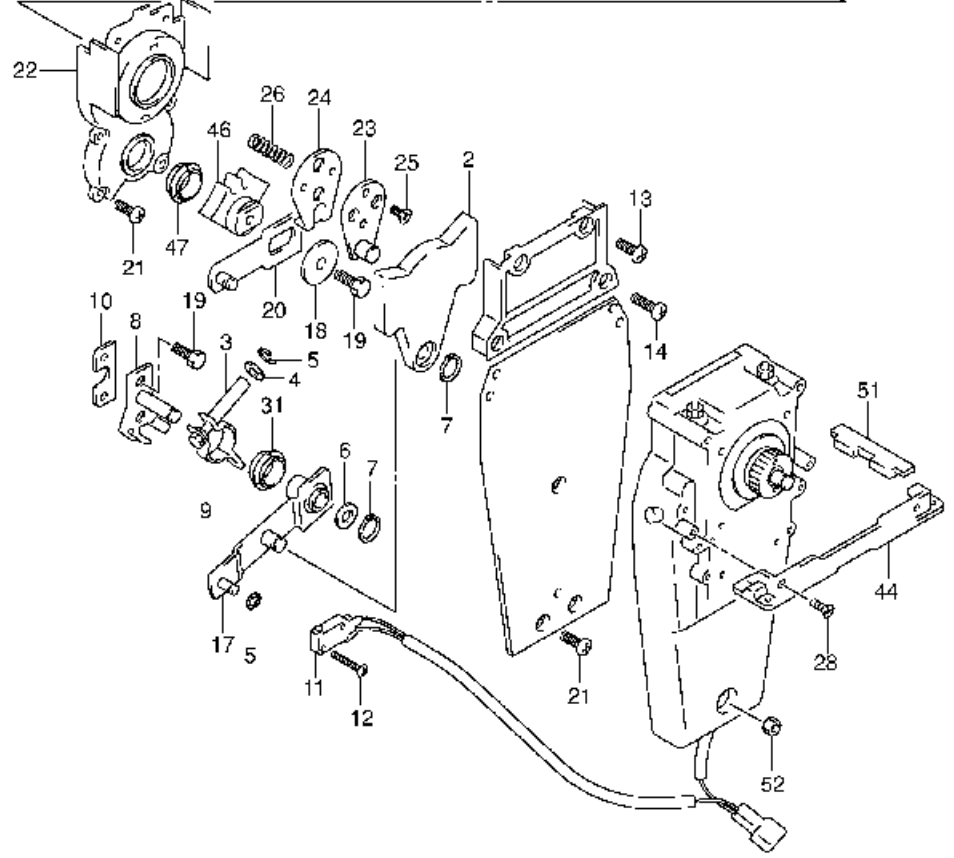


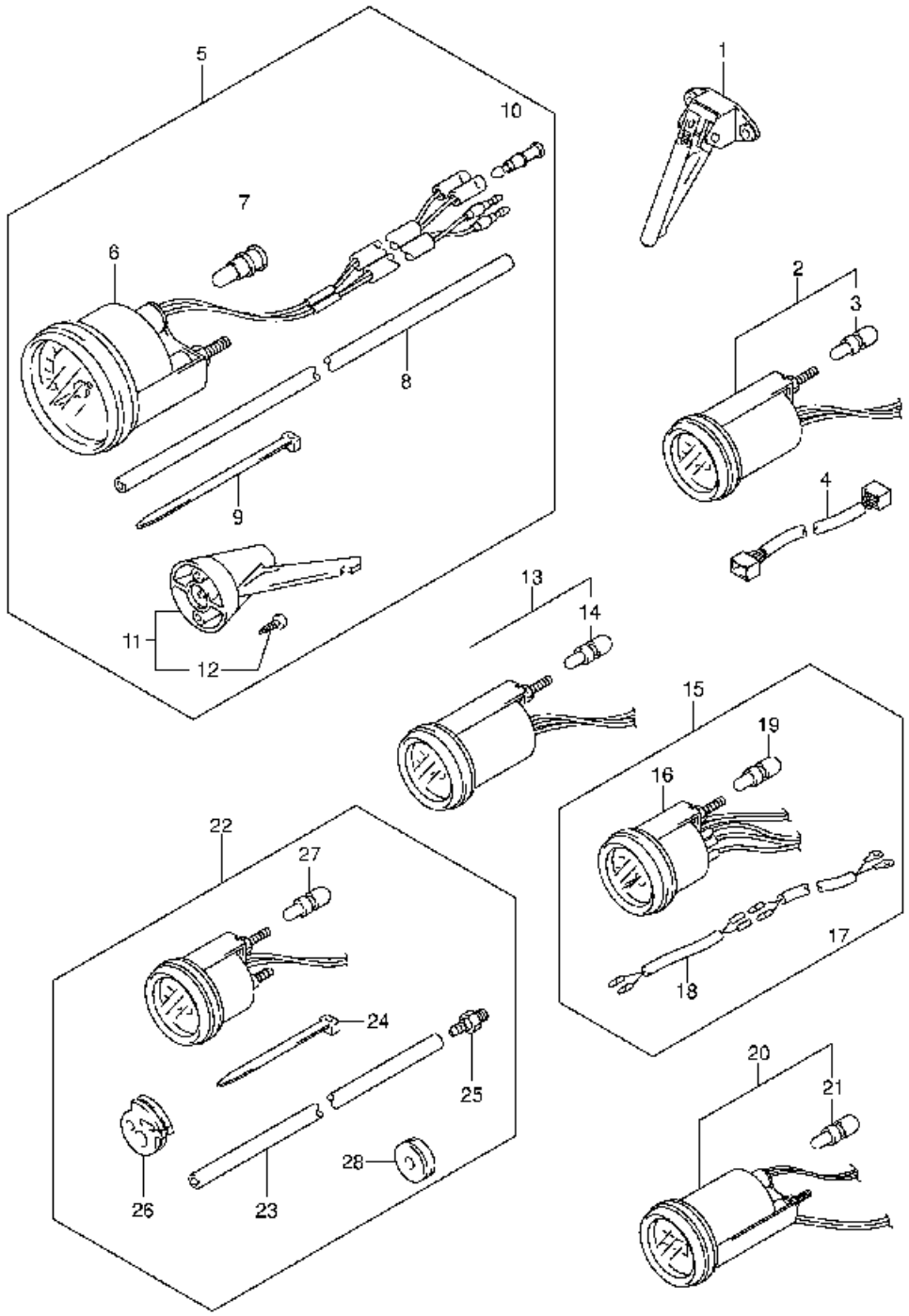


N° Réf.	N° Pièce	Désignation
1	67200-93J22	Remote Control Assy
2	67261-93J00	• Grip, No.1
3	67263-93J00	• Grip, No.2
4	37850-93J10	• Switch Assy, Pt
5	67296-92E10	• Screw
6	67296-98E10	• Screw
7	67288-92E20	• Washer
8	67296-92E70	• Screw
9	67288-92E40	• Washer
10	67257-92E00	• Cap, Lever
11	67251-93J00	• Lever, Handle
12	67296-92E60	• Screw
13	67288-92E30	• Washer
14	67263-92E00	• Washer
15	36890-93J10	• Wire Harness
16	37220-92E00	• Switch Assy, Mode Changing
17	67262-93J00	• Decal
18	67296-92E30	• Screw
19	09160-05024	• Washer
20	67287-92E00	• Nut
21	67275-95600	• End, Cable
22	67273-95600	• Spacer
23	67273-92E10	• Grommet
24	67296-92E00	• Screw
25	67271-92E00	• Cover
26	67211-93J10	• Cover
27	67296-92E70	• Screw
28	67500-93J10	Kit, Remoon Spacer Twin
29	09125-05105	• Screw
30	09160-05029	• Washer
31	09140-05005	• Nut

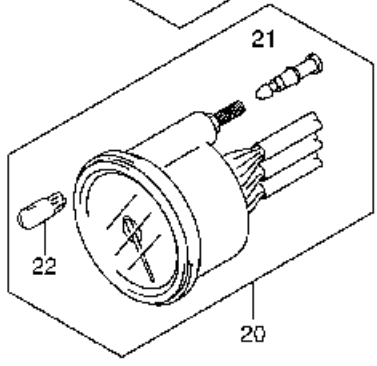
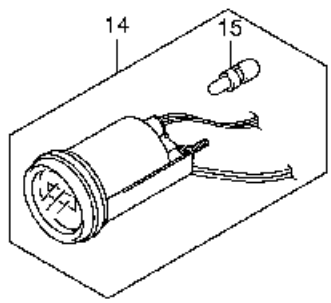
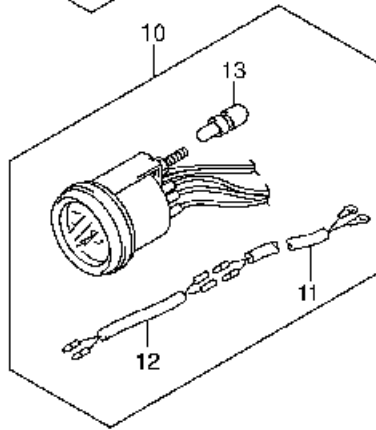
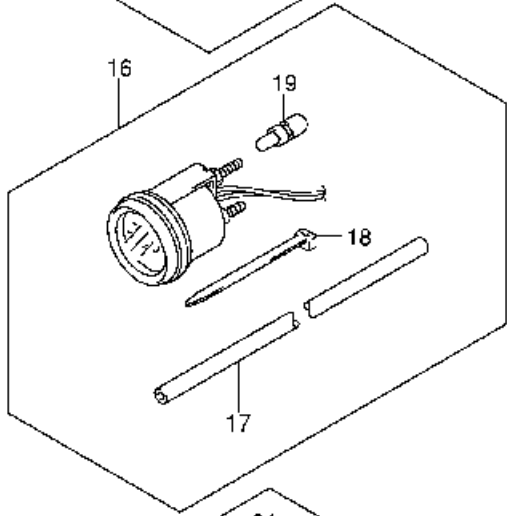
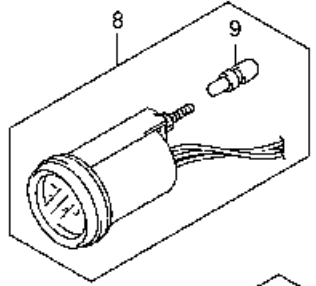
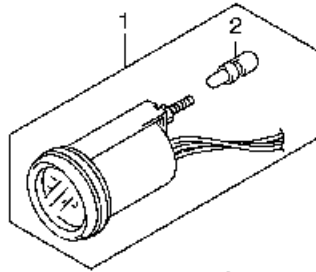
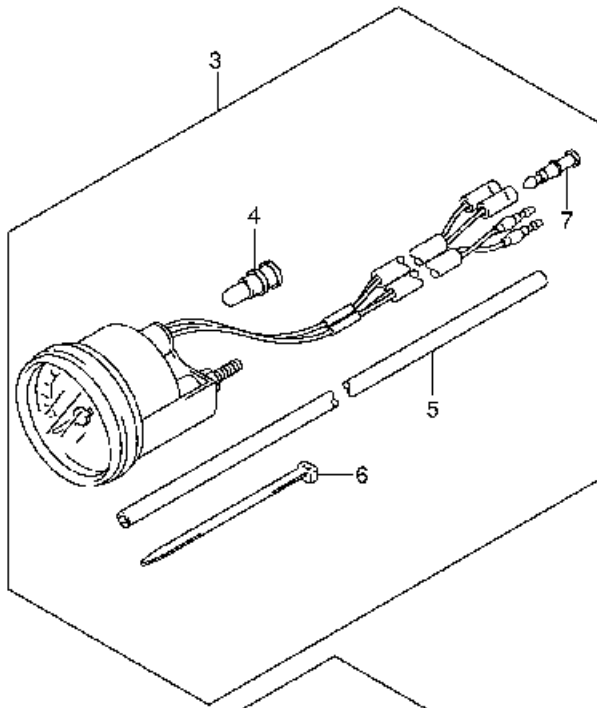


N° Réf.	N° Pièce	Désignation
1	67200-83J22	Remote Control Assy, Twin
2	67222-92E00	• Dual Plate
3	67223-92E00	• Brake Adjust
4	67289-92E00	• Washer
5	67290-94300	• E Ring
6	67298-92E10	• Washer
7	67291-92E00	• Snap Ring
8	67221-92E00	• Shift Assy
9	67224-92E00	• Brake Arm Assy
10	67294-92E00	• Spacer
11	37721-92E10	• Switch Assy, Ntr
12	67296-92E10	• Screw
13	67296-88010	• Screw
14	67296-92E20	• Screw
15	67226-92E00	• Bolt, Stopper Front
16	67226-92E10	• Bolt, Stopper Fr
17	67240-92E00	• Arm Assy, Throttle
18	67228-92E00	• Washer
19	67296-92E00	• Bolt
20	67230-92E00	• Arm Assy, Shift
21	09125-05042	• Screw (5x10)
22	67234-92E00	• Case, Geir
23	67245-92E00	• Lever Assy, Throttle
24	67227-92E00	• Stopper
25	09126-06006	• Screw
26	67225-92E00	• Spring
27	09125-04004	• Screw
28	67296-85610	• Screw
29	67233-92E00	• Spring
30	67235-92E00	• Plate, Shift Lock
31	67233-95600	• Bush
32	67269-92E00	• Bracket
33	67296-88010	• Screw
34	09140-95000	• Nut
35	67236-92E00	• Roller
36	67237-92E01	• Spring
37	67238-92E00	• Gear, Drive
38	67239-92E00	• Pin
39	67246-92E00	• Shaft, Drive
40	67252-92E00	• Bush
41	67291-92E10	• Snap Ring
42	67253-92E10	• Washer
43	67250-92E10	• Bush
44	67274-92E00	• Flange
45	67253-95600	• Washer
46	67231-92E00	• Gear, Shift
47	67232-95600	• Bush
48	67241-92E00	• Rod, Free Acc
49	67243-92E00	• Connector
50	67239-92E10	• Plate, Shift Pin
51	67272-92E10	• Seal, Flange
52	67281-92E10	• Nut
53	67296-92E80	• Screw





N° Réf.	N° Pièce	Désignation
1	34190-87D00	Sender Assy, Speedometer
2	34800-92E00	Meter Assy, Trim
3	34800-96302	Meter Assy, Trim
4	09471-12180	• Bulb
5	36680-92E00	Wire, Trim Gauge Extension
6	34100-92E10	Speedometer Set
7	34100-92E10	Speedometer Set
8	34100-92E20	• Speedometer
9	34100-92E10	• Speedometer
10	34100-92E20	• Speedometer
11	09471-12179	• Bulb
12	34191-92E00	• Tube
13	09407-14407	• Band
14	36615-96300	• Terminal, Resin
15	34190-95500	• Sender Assy, Speedometer
16	03112-96303	• Screw
17	34600-92E00	Meter Assy, Voltage
18	09471-12180	• Bulb
19	34300-92E01	Gauge Assy, Fuel
20	34300-92E01	• Gauge, Fuel
21	34310-92E00	• Lead, Fuel Gauge
22	34360-92E00	• Adapter, Fuel Gauge
23	09471-12180	• Bulb
24	34500-92E00	Meter Assy, Hour
25	09471-12180	• Bulb
26	34650-92E00	Gauge Assy, Water Pressure
27	34650-92E10	Gauge Assy, Water Pressure
28	34191-92E00	• Tube
29	09407-14407	• Band
30	34650-92E00	• Union
31	36658-95600	• Grommet
32	09471-12180	• Bulb
33	03300-98028	• Grommet

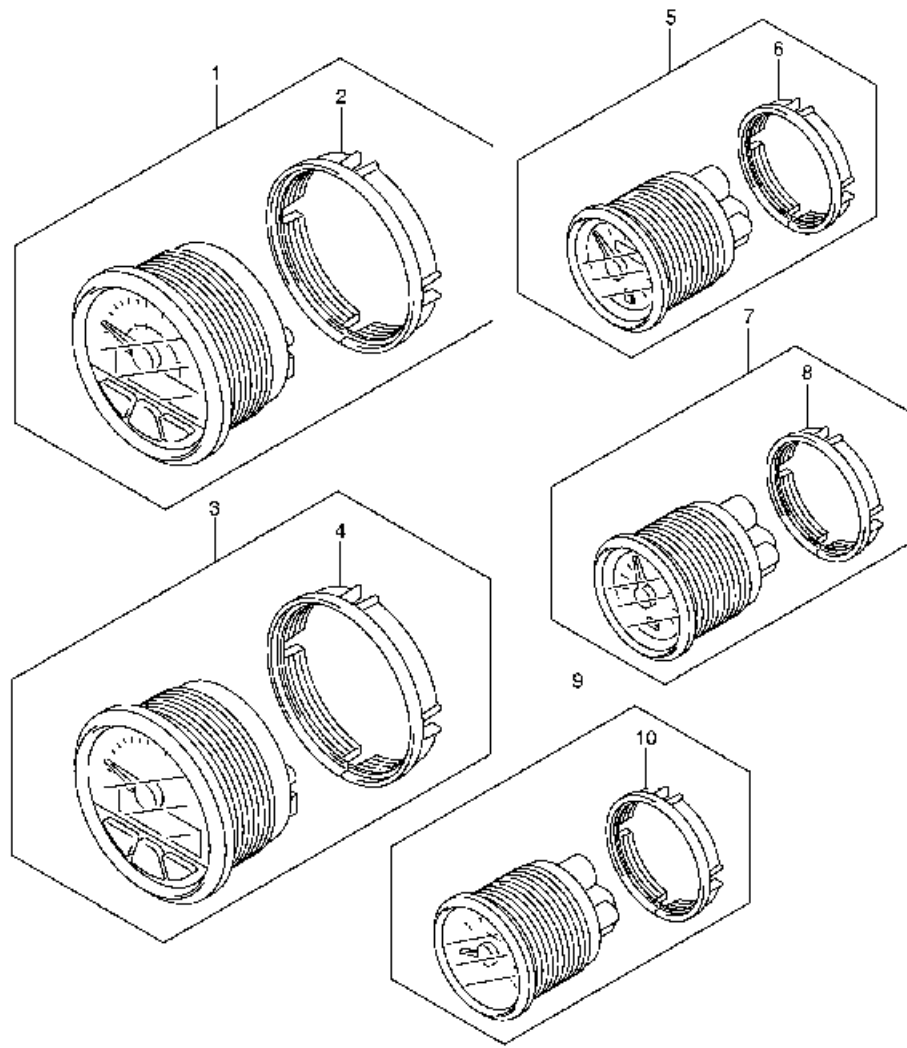


N° Réf.	N° Pièce	Désignation
1	34800-93J00	Meter Assy, Trim
1	34800-93J11	Meter Assy, Trim
2	09471-12103	• Bulb
3	34100-93J00	Speedometer Assy
3	34100-93J11	Speedometer Assy
3	34100-93J20	Speedometer Assy
3	34100-93J31	Speedometer Assy
3	34100-93J40	Speedometer Assy
3	34100-93J51	Speedometer Assy
4	09471-12028	• Bulb
5	34191-92E00	• Tube
6	09407-14407	• Band
7	36615-96300	• Terminal, Resin
8	34600-93J00	Meter Assy, Voltage
8	34600-93J11	Meter Assy, Voltage
9	09471-12103	• Bulb
10	34300-93J00	Gauge Assy, Fuel
10	34300-93J11	Gauge Assy, Fuel
11	34310-92E00	• Lead, Fuel Gauge
12	34360-92E00	• Adapter, Fuel Gauge
13	09471-12103	• Bulb
14	34500-93J00	Meter Assy, Hour
14	34500-93J11	Meter Assy, Hour
15	09471-12103	• Bulb
16	34650-93J20	Gauge Assy, Water Pressure
16	34650-93J31	Gauge Assy, Water Pressure
17	34191-92E00	• Tube
18	09407-14407	• Band
19	09471-12103	• Bulb
20	34200-93J00	Tachometer Assy, With Monitor
20	34200-93J11	Tachometer Assy, With Monitor
21	36615-96300	• Terminal, Resin
22	09471-12077	• Bulb
22	09471-12028	• Bulb

FIG.62

FIG62 OPT:METER (MODEL:08-)

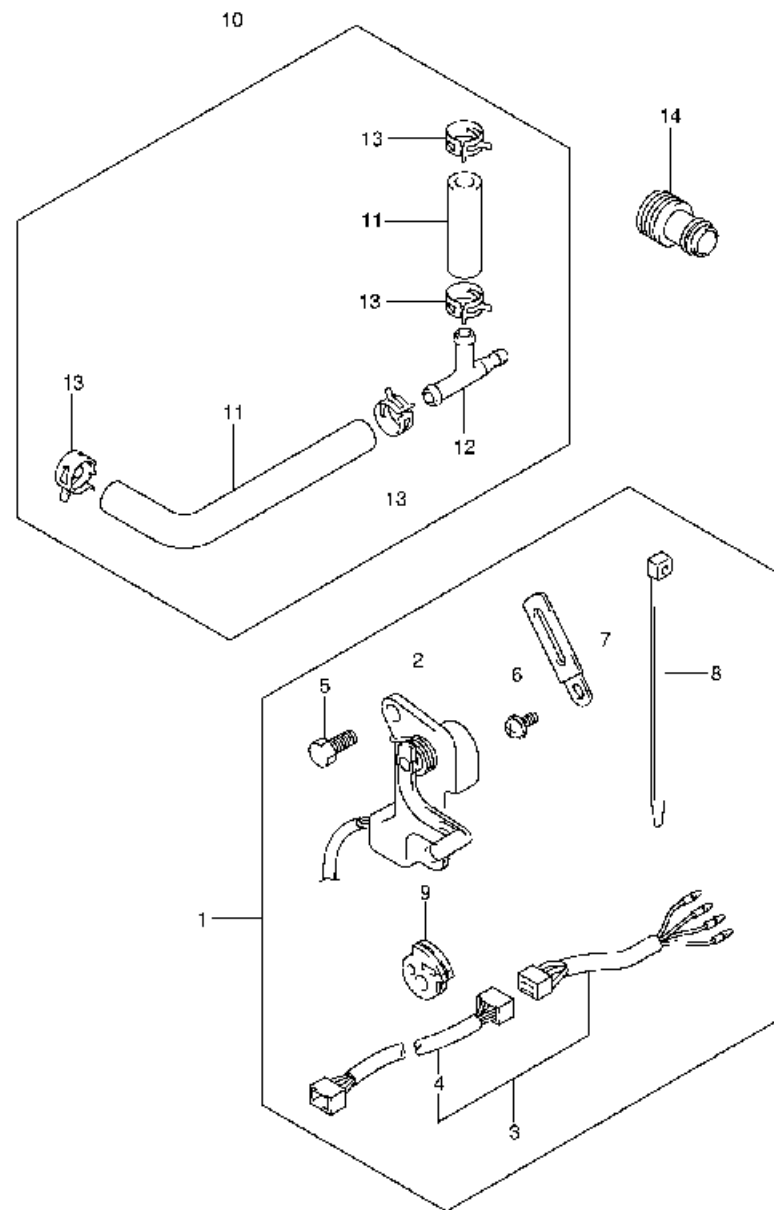
N° Réf.	N° Pièce	Designation
1	34100-98J00	Speedometer Assy
1	34100-98J10	Speedometer Assy
1	34100-98J20	Speedometer Assy
1	34100-98J30	Speedometer Assy
1	34100-98J40	Speedometer Assy
2	34112-98J00	• Nut
3	34200-98J00	Tachometer Assy
3	34200-98J10	Tachometer Assy
4	34112-98J00	• Nut
5	34300-98J00	Gauge Assy, Fuel
5	34300-98J10	Gauge Assy, Fuel
6	34815-98J00	• Nut
7	34600-98J00	Meter Assy, Voltage
7	34600-98J10	Meter Assy, Voltage
8	34815-98J00	• Nut
9	34800-98J00	Meter Assy, Trim
9	34800-98J10	Meter Assy, Trim
10	34815-98J00	• Nut



DF60 70 E01 062
OPT:METER-C

FIG63 OPT:TRIM SENDER

FIG.63

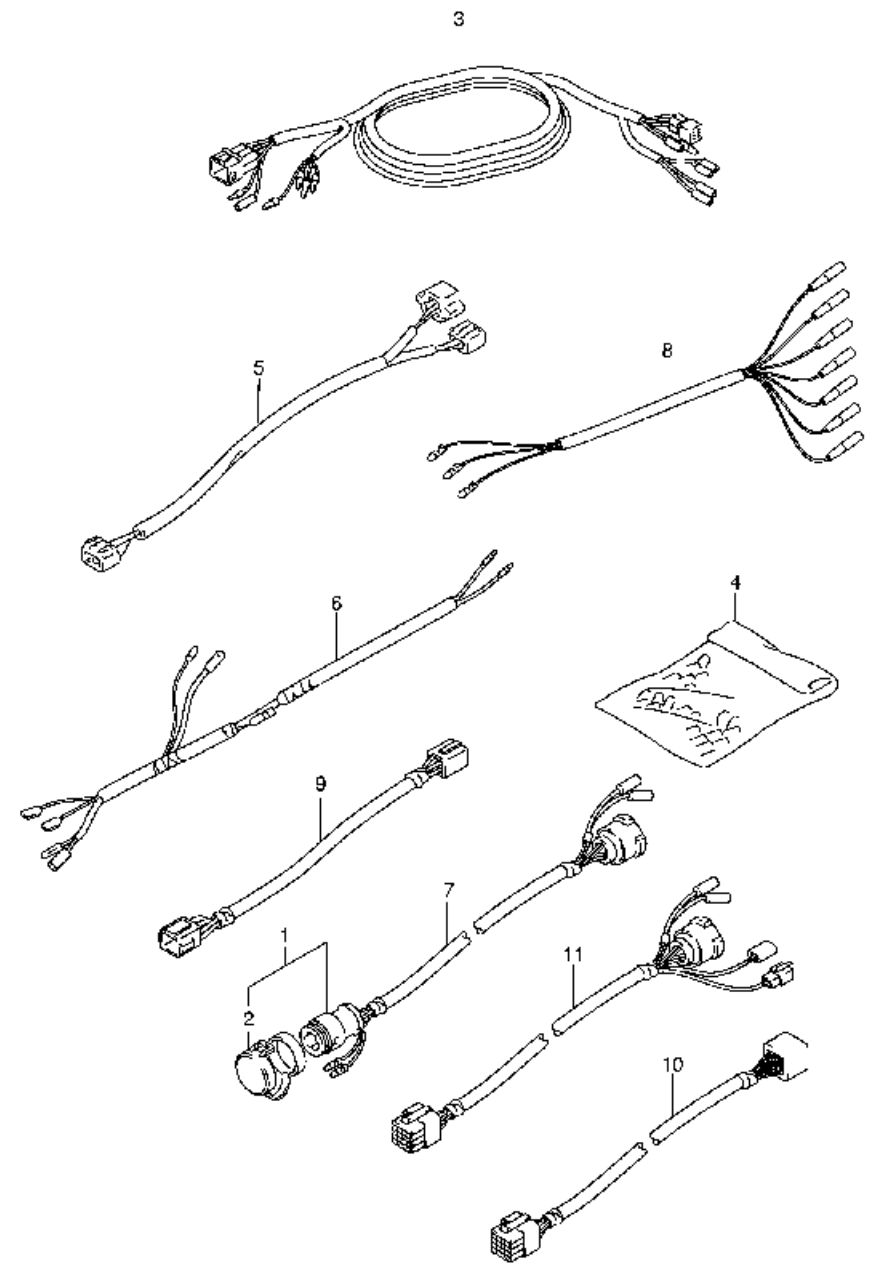


N° Réf.	N° Pièce	Désignation
1	34804-94711	Sender Set, Trim
2	34801-94710	• Trim, Sender
3	36880-92E00	• Wire, Trim Meter Ext/adp
4	36883-92E00	•• Wire, Trim Gauge Extension
5	09100-06113	• Bolt (6x16)
6	09125-06063	• Screw (6x10)
7	09404-06332	• Clamp
8	09407-14403	• Clamp
8	09407-14407	• Clamp
9	36658-95600	• Grommet
10	34660-99E00	Water Press Gauge Sub Kit
11	03393-50903-600	• Hose
12	09387-06006	• 3 Way
13	09401-08411	• Clip
13	17814-96000	• Clip
14	17917-99E00	Connector, Flush Water

DF60 70 E01 063
OPT : TRIM SENDER-C

FIG.64

N° Réf.	N° Pièce	Désignation
1	36620-87D20	Harness Assy, Extension (I)
1	36620-95302	Harness Assy, Extension (s)
2	36631-94300	Cap
3	36660-94400	Wire, Sender Extension (I)
3	36660-94480	Wire, Sender Extension (s)
3	36660-94480	Wire, Monitor Gauge Ext
4	36990-87D00	Terminal/leaves Set
5	36620-95560	Lead, Neutral Switch
6	34109-94600	Lead, Meter Extension
7	36620-92E00	Wire Assy, Remoon
8	36630-92E00	Wire Assy, Instrument
9	36660-92E00	Wire, Monitor Gauge Extension
10	36620-93J10	Wire, Assy, Remoon Extension
10	36620-93J40	Wire, Assy, Remoon Extension
11	36620-93J20	Wire, Assy, Remoon Adapter No.1
11	36620-93J30	Wire, Assy, Remoon Adapter No.2



DF60 70 E01 064
OPT : HARNESS-C

FIG.65

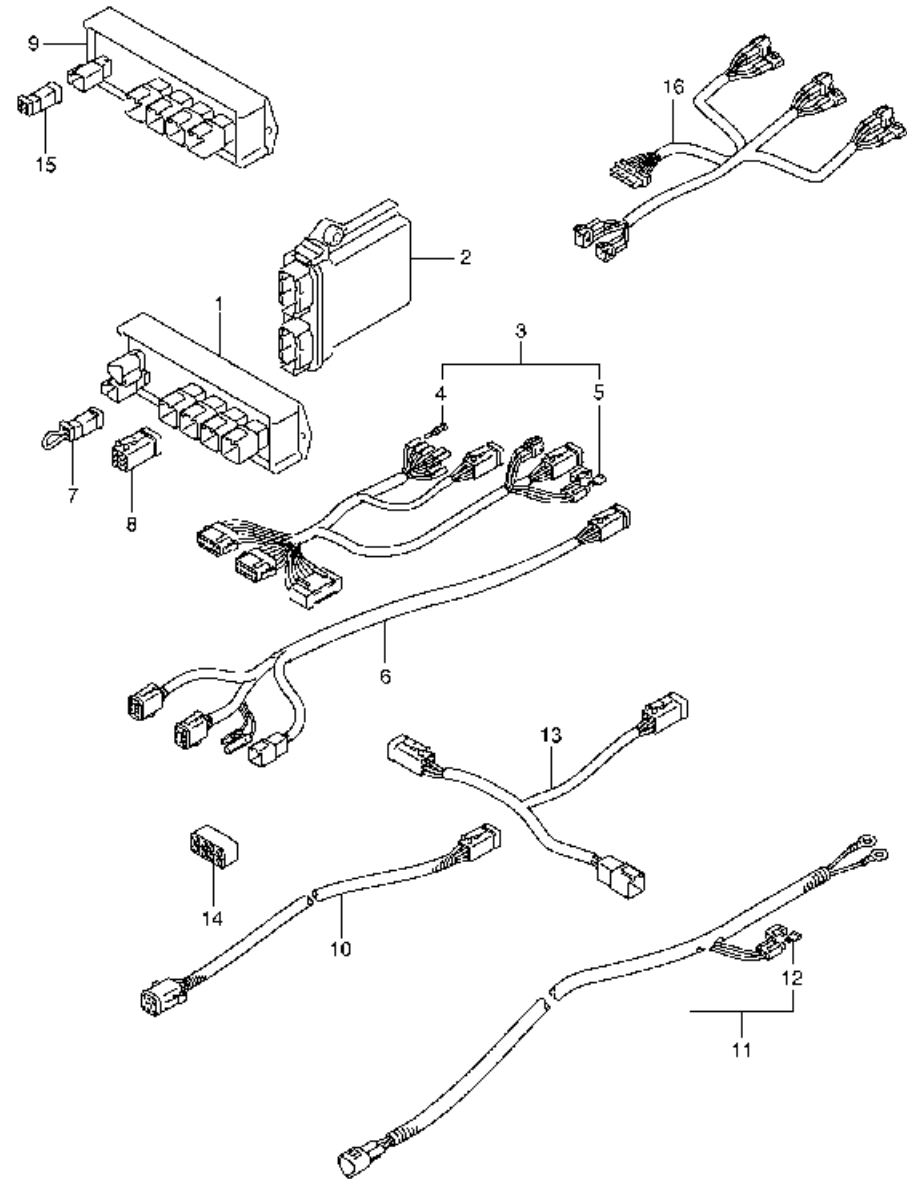
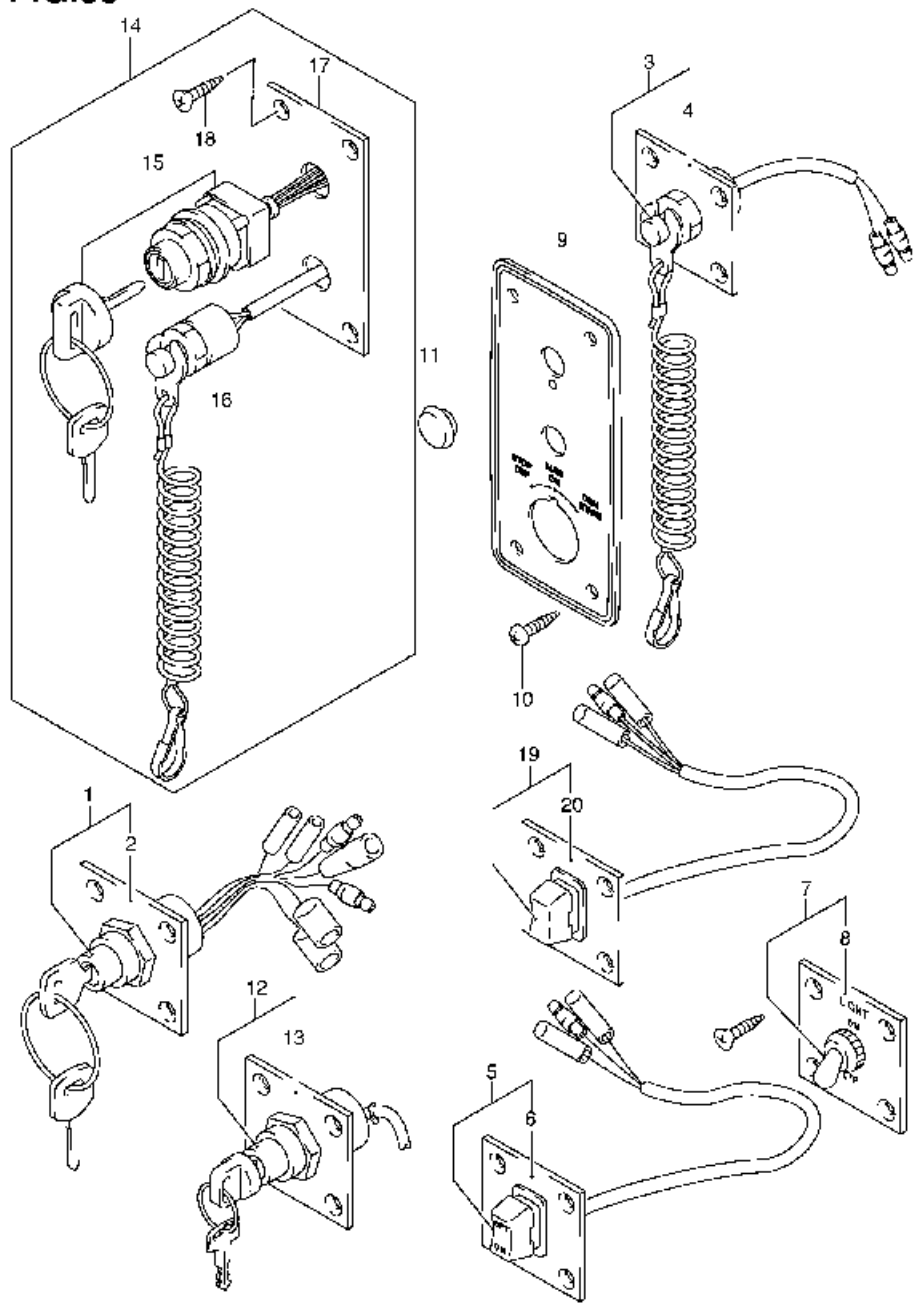


FIG65 OPT:HARNESS (MODEL:08-)

N° Réf.	N° Pièce	Désignation
1	34921-98J00	Unit, Active Hub
2	34922-98J00	Unit, Interface
3	35561-98J00	Harness Assy, Interface Unit
4	36615-96C00	- Terminal, Resin
5	09481-05501	- Fuse (5A)
6	35564-98J00	Harness Assy, 3" Gauge
7	36665-98J00	Wire, Jumper
8	35566-98J10	Cap, 6 Pin Connector
9	34921-98J10	Unit, Passive Hub
10	36662-98J00	Harness Assy, Hub S
11	36663-98J00	Harness Assy, Active Hub Pwr S
12	09481-05501	- Fuse (5A)
13	36664-98J10	Harness Assy, 2" Gauge
14	35566-98J00	Cap, 6 Pin Connector
15	36667-98J00	Cap, 2 Pin Connector
16	35561-93J00	Adapter, Interface Module

DF60 70 E01 085
OPT:HARNESS-C

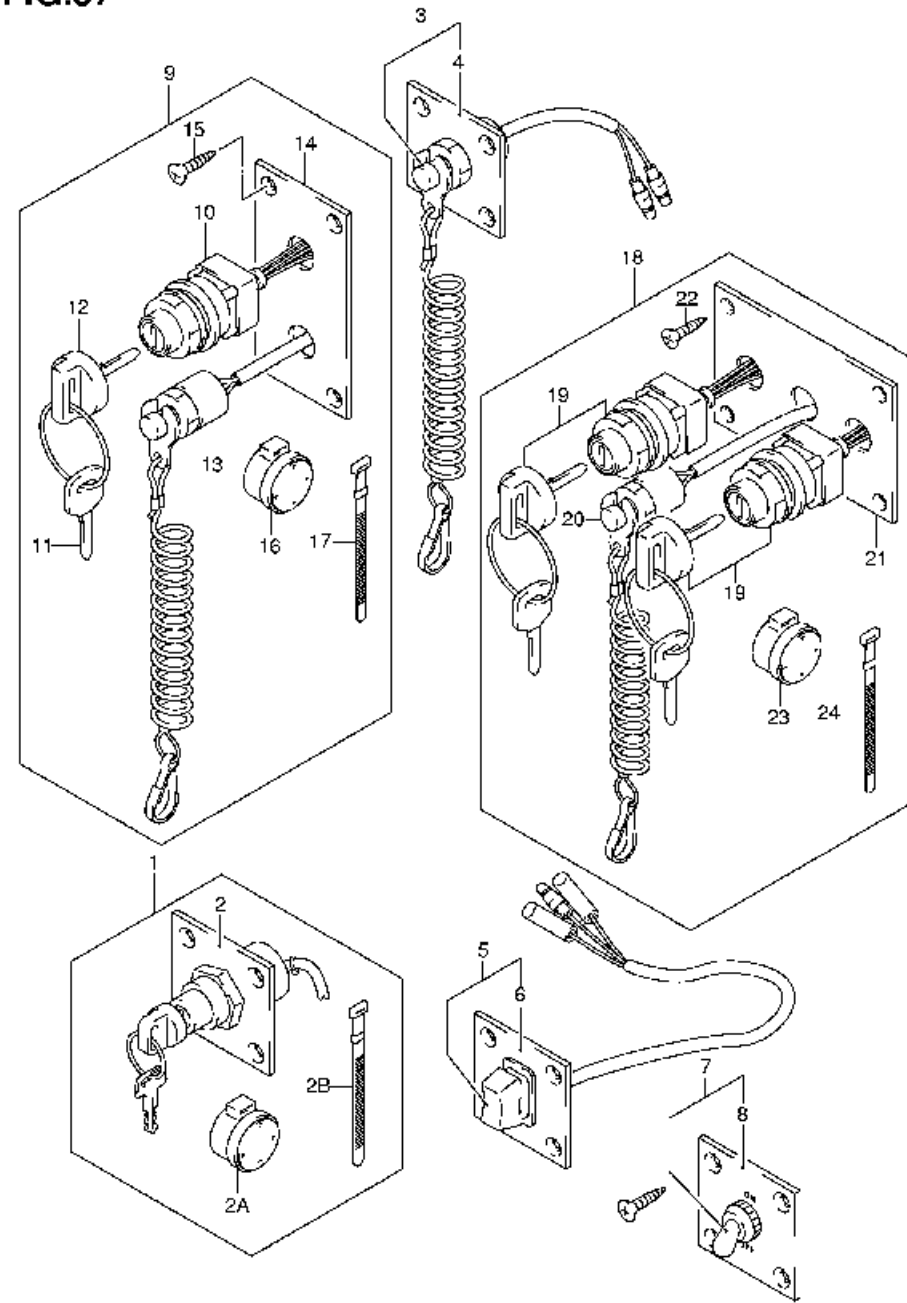
FIG.66



N° Réf.	N° Pièce	Désignation
1	37100-92E00	Ignition Switch Set
2	37139-92E00	• Panel, Ignition Switch
3	37803-92E00	Emergency Switch Set
4	37825-92E00	• Panel, Emergency Switch
5	37855-92E00	Pit Switch Set
6	37855-92E00	• Panel, Pit Switch
7	37210-92E00	Lighting Switch Set
8	37212-92E00	• Panel, Lighting Switch
9	37852-94600	Plate, Switch
10	03112-05123	Screw
11	09250-12006	Cap
12	37100-92E01	Ignition Switch Set
13	37139-92E01	• Panel, Ignition Switch
14	37139-99E00	• Panel, Ignition Switch
15	37100-99E20	Panel Assy, Engine Sw
16	37110-93M00	• Switch Assy, Ignition
17	37820-92E00	• Switch Assy, Emergency
18	03121-05163	• Screw
19	37805-99E00	Panel Assy, Pit Sw
20	37855-99E00	• Panel

DF60 70 E01 066
OPT : SWITCH-C

FIG.67



DF60 70 E01 067
OPT : SWITCH-C

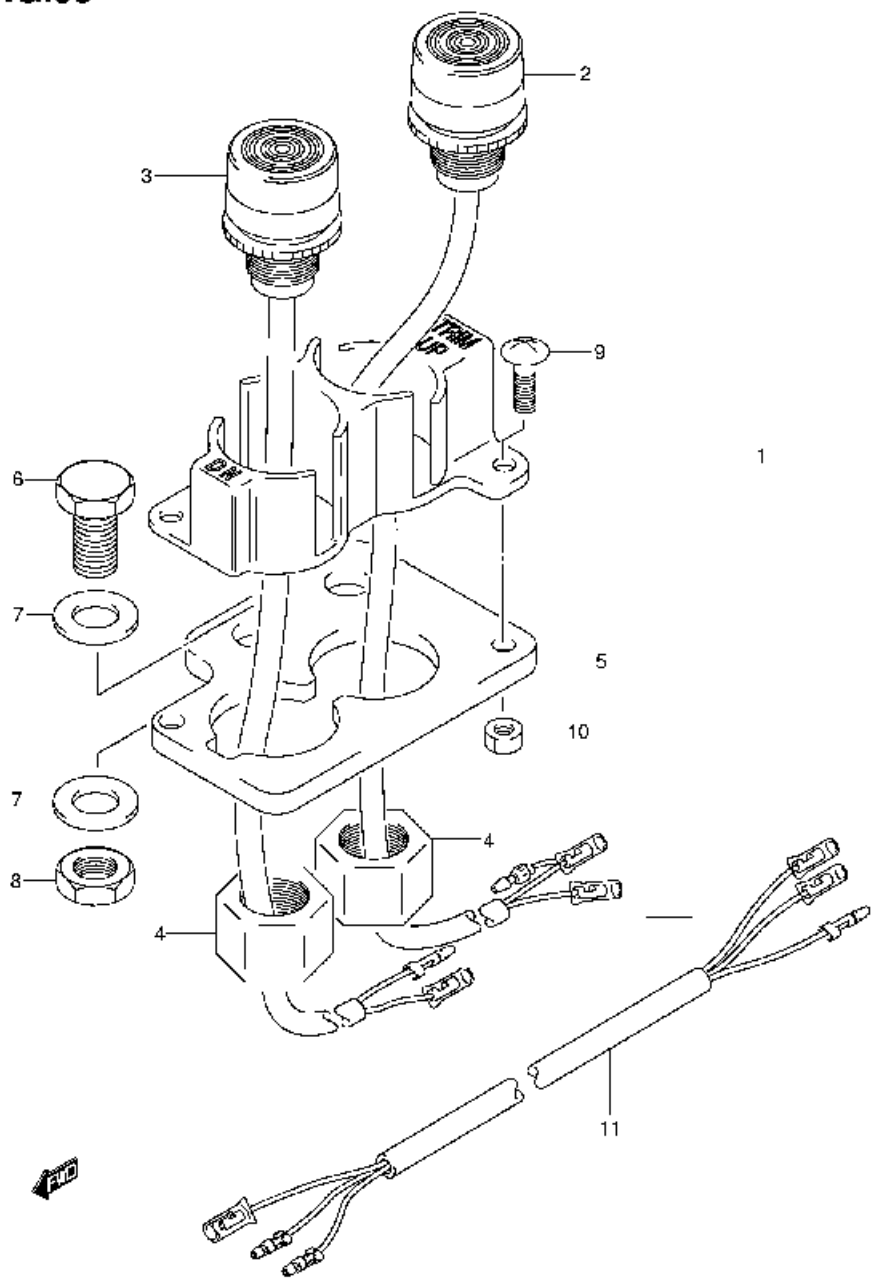
FIG67 OPT:SWITCH (MODEL:05-08)

N° Réf.	N° Piece	Désignation
1	37100-93J00	Panel Assy, Ignition Sw
1	37100-96J00	Panel Assy, Ignition Sw
2	37139-99E00	Panel, Ignition Sw
2a	38500-93J90	Buzzer Assy, Warning
2b	09407-08401	Clamp, Buzzer
3	37800-93J00	Panel Assy, Emergency Sw
4	37825-99E00	Panel, Emergency Sw
5	37805-93J00	Panel Assy, Ptl Sw
6	37855-99E00	Panel, Ptl Sw
7	37210-93J00	Panel Assy, Lighting Sw
8	37212-93J00	Panel, Lighting Sw
9	37100-93J00	Panel Assy, Engine Sw
9	37100-96J20	Panel Assy, Engine Sw
10	37110-93J00	Switch Assy, Ignition
11	37141-99E00	Key (931)
11	37141-99E10	Key (932)
11	37141-99E20	Key (933)
11	37141-99E30	Key (934)
11	37141-99E40	Key (935)
11	37141-99E50	Key (936)
11	37141-99E60	Key (937)
11	37141-99E70	Key (938)
11	37141-99E80	Key (939)
11	37141-99E90	Key (940)
11	37141-99E40	Key (941)
11	37141-99E80	Key (942)
12	37143-99E00	Cap, Key
13	37820-93J00	Switch Assy, Emergency
14	37139-99E20	Panel
15	03121-0516A	Screw
16	38500-93J90	Buzzer Assy, Warning
17	09407-08401	Clamp, Buzzer
18	37100-96J10	Panel Assy, Dual Engine Sw
19	37110-93J00	Switch Assy, Ignition
20	37820-93J90	Switch Assy, Emergency
21	37139-99E10	Panel
22	03121-0516A	Screw
23	38500-93J90	Buzzer Assy, Warning
24	09407-08401	Clamp, Buzzer

N° cliché: FIG68 Titre du cliché: OPT:TRIM SWITCH (MODEL:98-04)

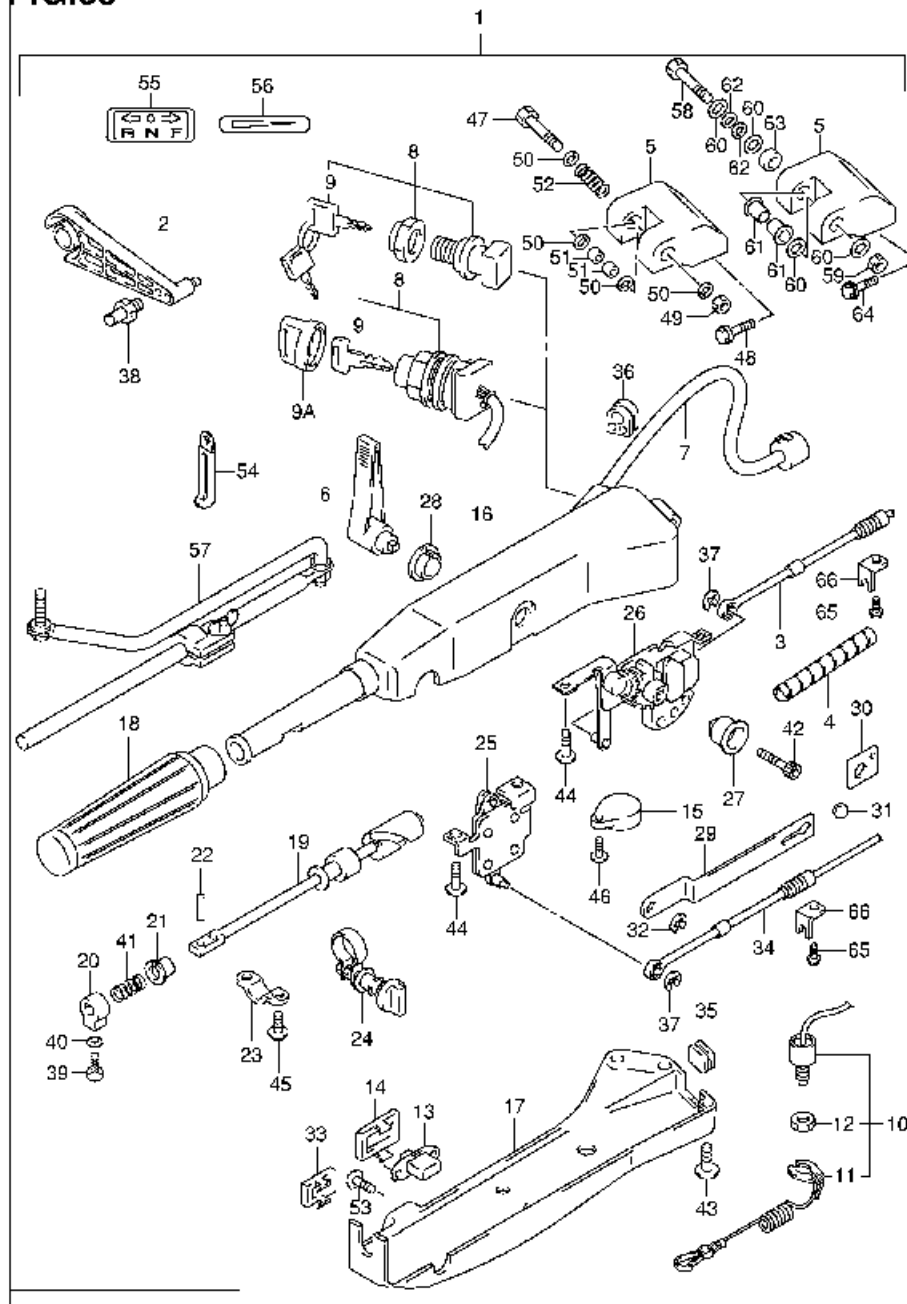
N° Réf.	N° Pièce	Désignation
1	37850-95312	Switch Assy, Tilttrim
1	37850-97003	Switch Assy, Tilttrim
2	37860-95324	- Switch Trim, Up
3	37870-95324	- Switch Trim, Down
4	09159-14014	Nut
5	37850-95211	Plate, Trim Switch
6	09100-09332	Bolt (8x30)
7	09160-08382	Washer (8.5x16x1.2)
8	09140-08019	Nut
9	02142-04127	Screw
10	08310-00047	Nut
11	37860-95201	Lead, Trim Switch Extension

FIG.68



DF60 70 E01 068
OPT : TRIM SWITCH-C

FIG.69

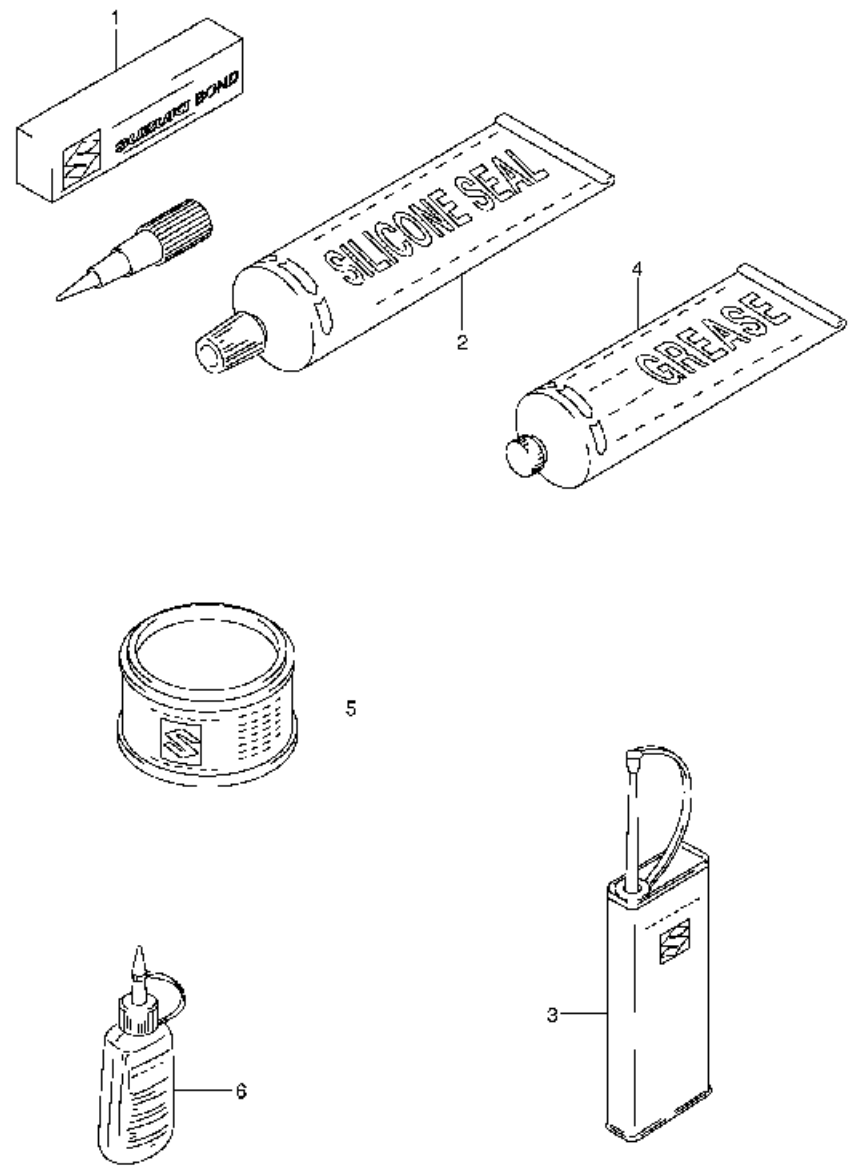


N° Réf.	N° Pièce	Désignation
1	63002-99E06-0EP	Tiller Handle Kit (black)
1	63002-99E21-0EP	Tiller Handle Kit (black)
1	63002-99E23-0EP	Tiller Handle Kit (black)
2	15122-99E01	• Lever, Throttle
3	23230-99E00	• Cable, Shift
4	33833-91J00	• Tube
5	43761-87J01-0EP	• Bracket, Tiller Handle (black)
5	43761-87J11-0EP	• Bracket, Tiller Handle (black)
6	21111-87J10-0EP	• Lever, Shift (black)
7	36620-87J00	• Wire, Handle
7	36620-87J20	• Wire, Handle
8	37110-87J01	• Switch, Ignition
8	37110-87J20	• Switch, Ignition
9	37141-92E00	• Key (11)
9	37141-92E10	• Key (12)
9	37141-92E20	• Key (13)
9	37141-92E30	• Key (14)
9	37141-92E40	• Key (15)
9	37141-92E50	• Key (16)
9	37141-92E60	• Key (17)
9	37141-92E70	• Key (18)
9	37141-92E80	• Key (19)
9	37141-92E90	• Key (20)
9	37141-99E00	• Key (831)
9	37141-99E10	• Key (832)
9	37141-99E20	• Key (833)
9	37141-99E30	• Key (834)
9	37141-99E40	• Key (835)
9	37141-99E50	• Key (836)
9	37141-99E60	• Key (837)
9	37141-99E70	• Key (838)
9	37141-99E80	• Key (839)
9	37141-99E90	• Key (840)
9	37141-99E00	• Key (841)
9	37141-99E80	• Key (842)
9a	37143-99E00	• Cap, Key
10	37620-87J00	• Switch, Emergency
11	37623-92E01	• Plate, Lock
12	37626-92E00	• Nut
13	37669-94010	• Switch, Trim
14	37669-95930	• Cap, Trim Switch
15	38500-92J50	• Buzzer
16	63111-87J03-0EP	• Housing, Tiller Handle (black)
16	63111-87J10-0EP	• Housing, Tiller Handle (black)
17	63121-87J02	• Cover, Under
18	63210-93E30	• Grip
19	63221-87J00	• Shaft, Throttle
20	63223-92D00	• Stopper, Handle Rod
21	63229-93D00	• Bush, Handle Rod
22	63227-93D00	• Pin, Handle Rod
23	63235-87J00	• Plate, Throttle Shaft
24	63246-87J00	• Adjuster, Throttle Grip
25	63250-87J01	• Arm, Throttle
26	63260-87J02	• Gear, Shift
27	63261-87J00	• Bush, Shift Gear
28	63262-87J00	• Bush, Shift Lever
29	63271-87J00	• Plate, Lock
30	63272-87J00	• Plate, Ball Guide
31	63273-87J00	• Ball
32	63274-87J00	• E Ring
33	67263-99E00	• Cover, Trim Switch
34	63610-99E00	• Cable, Throttle
35	63626-99E00	• Grommet, Throttle Cable
36	63626-99E01	• Grommet, Handle Wire
37	67292-87J00	• E Ring
38	67473-85J00	• Pin, Remocoon Connector
39	09126-06015	• Screw
40	09163-96001	• Washer
41	09440-12027	• Spring
42	09106-98999	• Bolt (8x20)
43	09125-05047	• Screw (5x14)
44	09125-05068	• Screw (6x12)
45	09186-95008	• Screw (5x12)
46	02142-05207	• Screw
47	09100-10284	• Bolt (10x8)
48	09117-10034	• Bolt (10x45)
48	09117-10058	• Bolt (10x45)
49	09166-10050	• Nut
50	09160-10097	• Washer
51	09306-10009	• Bush
52	09440-22008	• Spring
53	09139-02003	• Screw (2x6)
54	29404-93J30	• Clamp
55	21131-96010	• Mark, Clutch Shift
56	63215-83110	• Mark, Handle Grip
57	43770-99E00	• Adjuster, Steering
58	09100-10284	• Bolt Tiller Handle Pivot
58	09166-10050	• Nut, Tiller Handle Pivot
60	09160-10114	• Washer, Tiller Handle Pivot
61	09306-10020	• Bush, Tiller Handle Pivot
62	09164-10016	• Washer, Tiller Handle Spr
63	43769-90J01	• Spacer, Tiller Handle
64	09117-10058	• Bolt, Tiller Handle Bracket
65	63611-87J00	• Bolt, Clamp Bracket
66	63612-87J00	• Bracket, Clamp

DF60 70 E01 069

OPT : TILLER HANDLE-C

FIG.70



N° cliqué	Titre du cliqué.	OPTIONAL	N° Réf.	N° Pièce	Désignation
1			99000-31010		Liquid Gasket
2			99000-31120		Liquid Gasket No.1212c Silicon
3			99000-32040		Thread Lock No.1401
4			99000-25161		Grease, Water Resistant
5			99000-25011		Super Grease (a)no.3
6			99000-32050		Thread Lock No.1342
7			99000-32020		Thread Lock No.1333b
7			99011-99E00-051		Manual, Owner's
7			99011-99E01-051		Manual, Owner's
7			99011-99E02-051		Manual, Owner's
7			99011-99E03-051		Manual, Owner's
7			99011-99E04-051		Manual, Owner's
7			99011-99E05-051		Manual, Owner's
7			99011-99E06-051		Manual, Owner's
7			99011-99E07-051		Manual, Owner's
7			99011-99E08-051		Manual, Owner's
7			99011-99E03-04B		Manual, Owner's
7			99011-99E04-04B		Manual, Owner's
7			99011-99E05-04B		Manual, Owner's
7			99011-99E06-04B		Manual, Owner's
7			99011-99E07-04B		Manual, Owner's
7			99011-99E08-04B		Manual, Owner's
7			99011-99E09-04B		Manual, Owner's
7			99011-99E10-05B		Manual, Owner's
7			99011-99E03-01H		Manual, Owner's
7			99011-99E04-01H		Manual, Owner's
7			99011-99E05-01H		Manual, Owner's
7			99011-99E06-01H		Manual, Owner's
7			99011-99E07-01H		Manual, Owner's
7			99011-99E08-01T		Manual, Owner's
7			99011-99E09-05A		Manual, Owner's
7			99011-99E10-05A		Manual, Owner's

DF60 70 E01 070
OPTIONAL-C

Ce document à été crée avec Win2pdf disponible à <http://www.win2pdf.com/fr>
La version non enregistrée de Win2pdf est uniquement pour évaluation ou à usage non commercial.