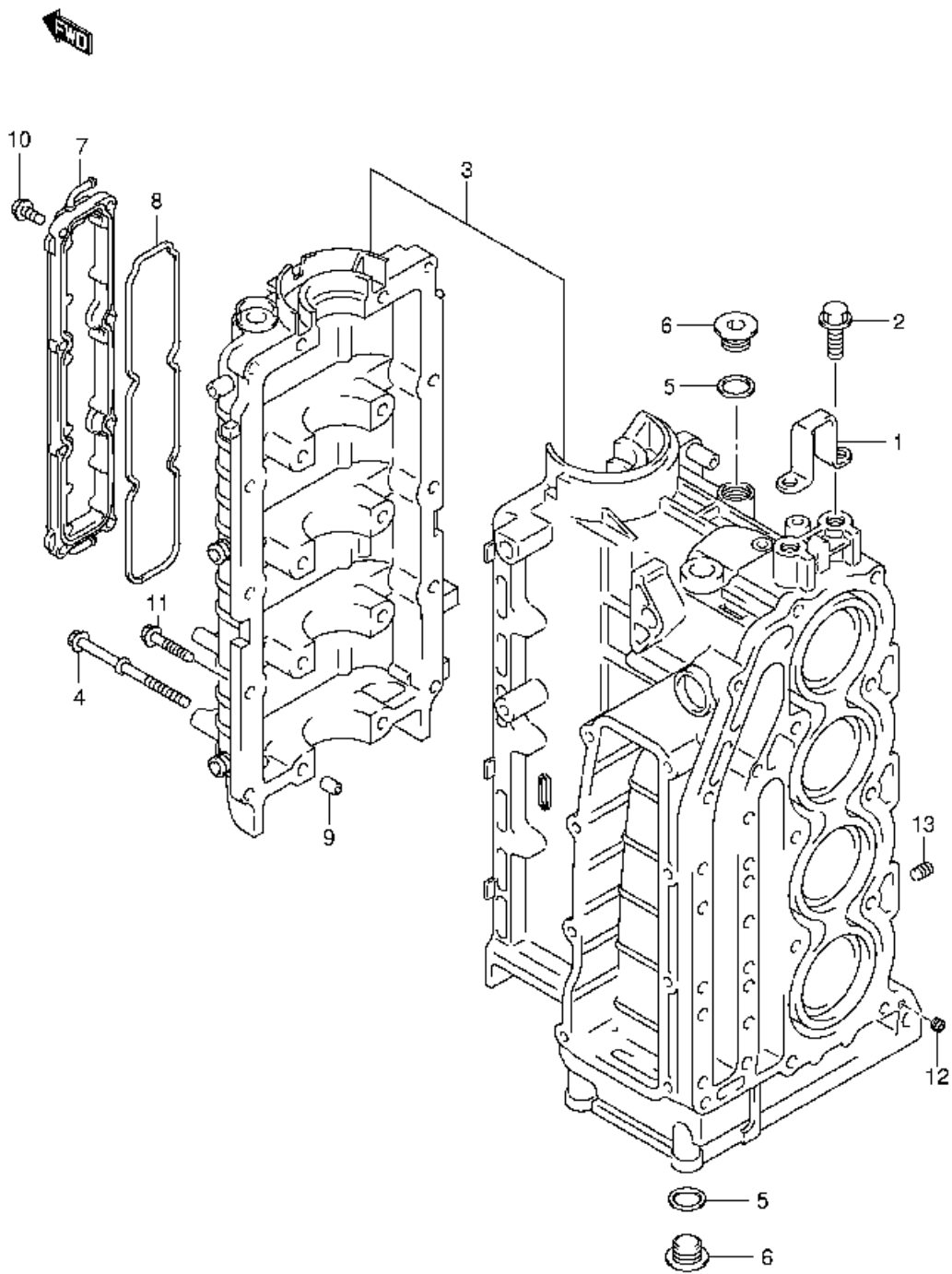


N° Réf.	N° Pièce	Désignation
1	11100-90J00-019	Head, Cylinder (black)
1	11100-90J01	Head, Cylinder
1	11100-90J02	Head, Cylinder
1	11100-90J03	Head, Cylinder
2	11115-85FA1-001	- Guide, Valve
3	11129-90J00	- Bolt, Cam Shaft Housing
4	09208-08001	- Pin
5	11261-93J00	Cover, Protection Anode
6	09280-22019	O Ring
7	55321-87J00	Anode, Protection
8	09128-06021	Bolt, Protection Anode
8	09103-06281	Bolt, Protection Anode
9	01550-08007	Bolt
10	11117-89J00	Bolt, Cyl Head
11	11141-90J01	Gasket, Cyl Head
12	09116-08126	Bolt (hex)
13	04211-13189	Pin
14	11170-90J00-019	Cover, Cyl Head (black)
14	11170-90J00	Cover, Cyl Head
15	11173-90J00	Plate, Breather
16	11179-90J00	Gasket, Spark Plug Hole
17	11189-90J00	Gasket, Cyl Head Cover
18	11382-99E00	Cap, Oil Filler
19	18498-90J00	Protector, Breather Hose
20	09280-29006	O Ring
21	09355-13007-00B	Hose, Breather
22	17829-90J00	Clip
23	01547-06257	Bolt
24	01547-06257	Bolt
25	02112-0612A	Screw
26	09482-00427	Spark Plug (bride)



N° Réf.	N° Pièce	Désignation
1	11291-90J00-019	Hook, Engine (black)
1	11291-90J10	Hook, Engine
2	01555-12307	Ball
3	11300-90J00	Block, Cylinder
3	11300-90J11	Block, Cylinder
4	11117-90J00	• Bolt, Crankcase
5	11216-77E00	• Gasket, Oil Gallery Plug
6	09246-18011	• Plug, Oil Gallery
7	11330-90J00	• Cover, Wtr. Jkt.
8	11332-90J00	• O Ring, Wtr. Jkt. Cover
9	09206-13016	• Pin
10	01550-06207	• Bolt
11	09116-08124	• Bolt (hex)
12	11112-90J00	• Plug, Oil Venturi
13	11118-90J00	Plug

N° Réf.	N° Pièce	Désignation
1	11510-80J00	Cover, Ring Gear
2	11512-99E00	Cushion, Ring Gear Cover
3	09125-06111	Screw (8x18)
4	61472-93E32	Label, Mtu Cover
5	69711-93E10	Label, Caution

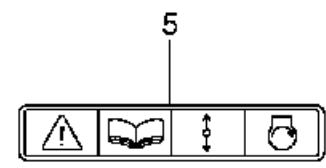
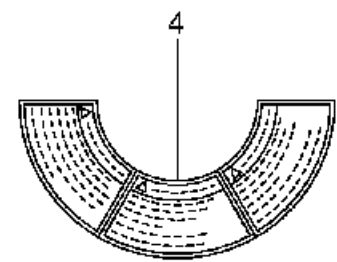
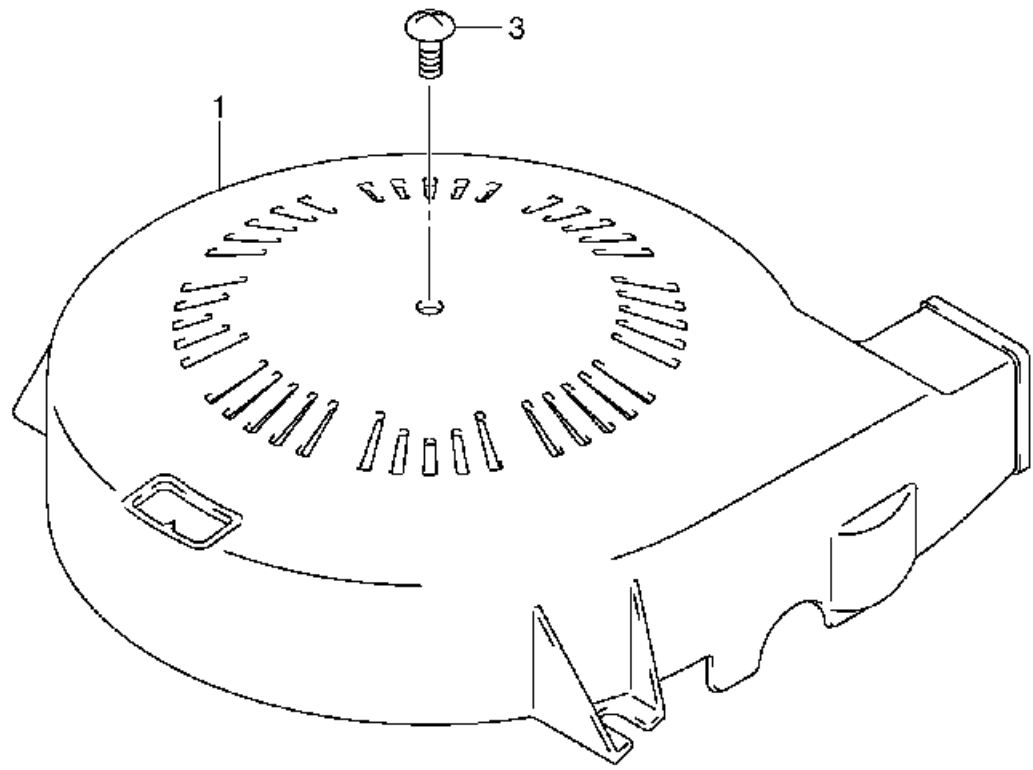


FIG.4

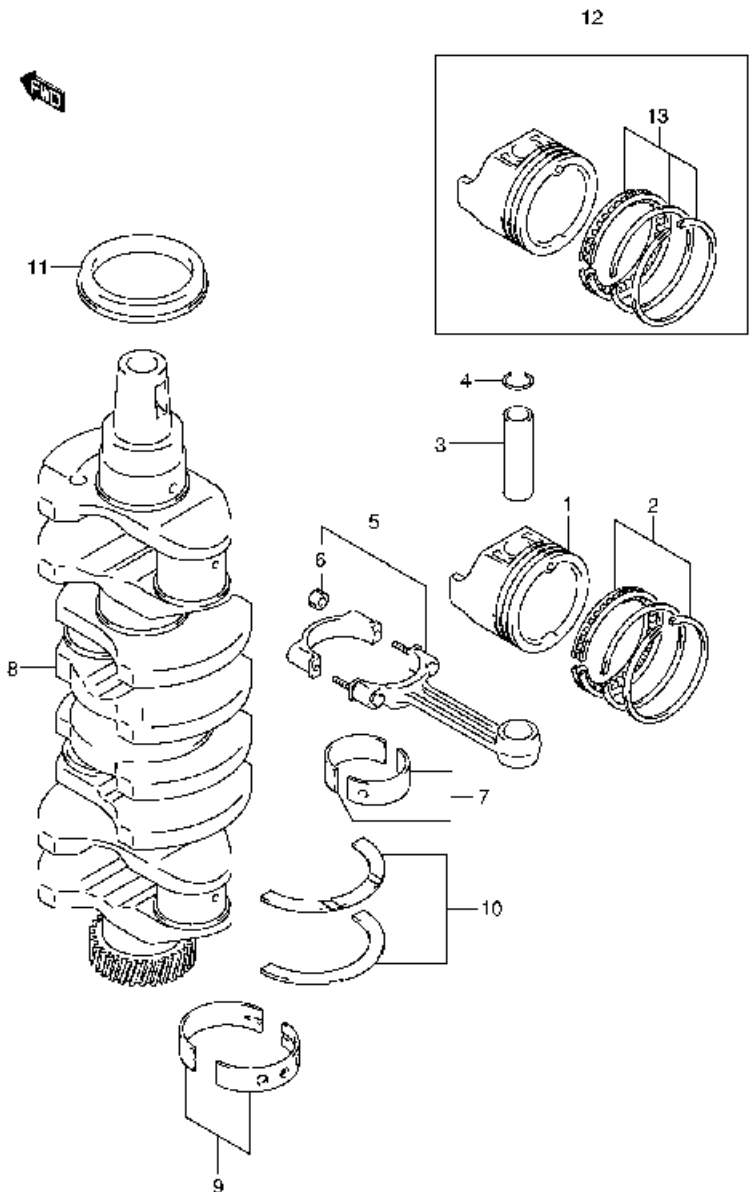
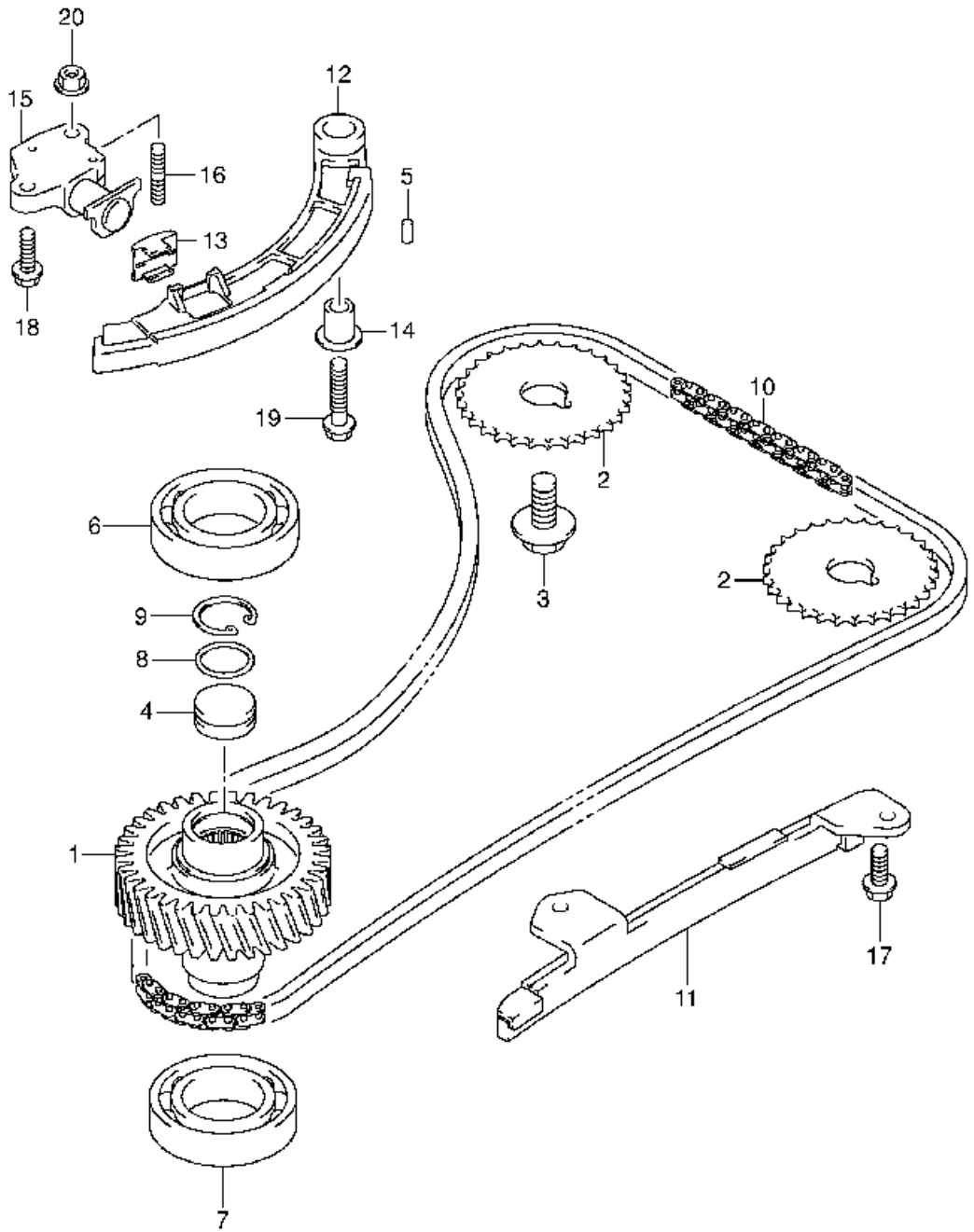


FIG4 CRANKSHAFT

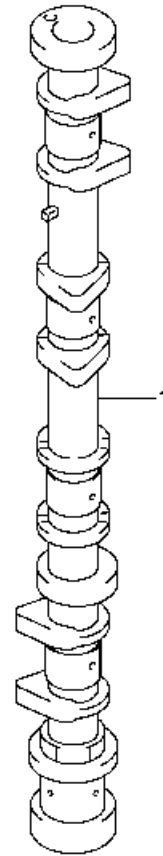
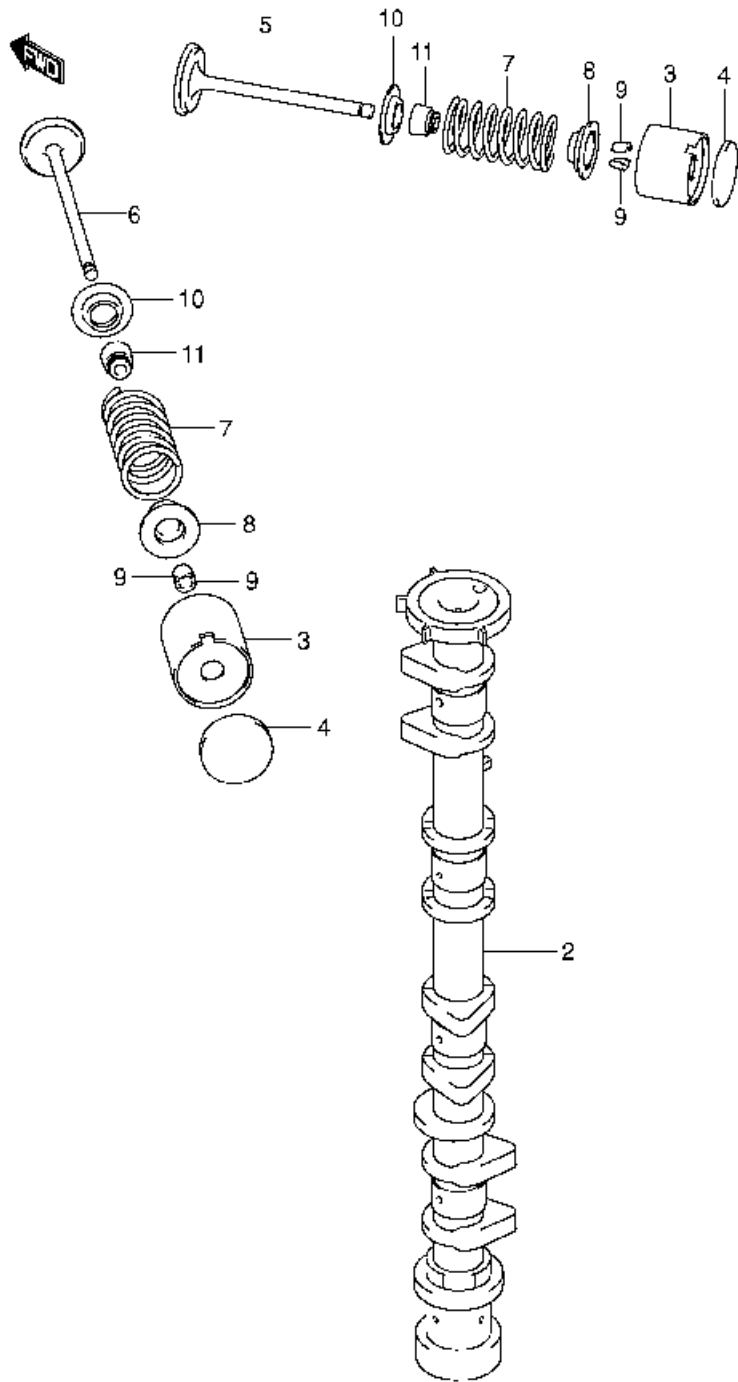
N° Réf.	N° Pièce	Désignation
1	12111-90J01	Piston
2	12140-86FA0	Ring Set, Piston
3	12151-86FA0	Pin, Piston
4	09381-21002	Clip
5	12160-92J00	Conrod Assy
6	09159-08333	- Nut
6	09159-08121	- Nut
7	12100-60821-0A0	Bearing Set, Conrod
7	12100-92841-0A0	Bearing Set, Conrod
7	12100-60821-025	Bearing Set, Conrod (us:0.25)
7	12100-92840-025	Bearing Set, Conrod (us:0.25)
8	12200-92860	Crankshaft Set
8	12220-92A00	Crankshaft
9	12340-85FB3-0A0	Bearing Set, Crankshaft
9	12340-85FB3-0B0	Bearing Set, Crankshaft
9	12340-85FB3-0C0	Bearing Set, Crankshaft
9	12340-85FB3-0D0	Bearing Set, Crankshaft
9	12340-85FB3-0E0	Bearing Set, Crankshaft
9	12300-85854-0A0	Bearing Set, Crankshaft (us:0.25)
9	12300-85854-0B0	Bearing Set, Crankshaft (us:0.25)
9	12300-85854-0C0	Bearing Set, Crankshaft (us:0.25)
9	12300-85854-0D0	Bearing Set, Crankshaft (us:0.25)
9	12300-85854-0E0	Bearing Set, Crankshaft (us:0.25)
9	12300-85854-0EA	Bearing Set, Crank Thrust
10	12300-85830	Bearing Set, Crank Thrust
10	12300-85830-012	Bearing Set, Crank Thrust (os:0.12)
11	09283-52004	Seal, Oil
12	12100-90J01-050	Piston Set (os:0.50)
13	12140-86FA0-050	- Ring Set, Piston (os:0.50)

DF90 115 E01 004
CRANKSHAFT-C



N° Réf.	N° Pièce	Désignation
1	12732-90J00	Gear, Driven
2	12741-90J00	Sprocket, Cam Shaft Timing
3	08103-12049	Bolt (12x25)
4	12733-90J00	Plug, Driven Gear
5	04221-05109	Pin
6	05292-35098	Bearing
7	05282-35069	Bearing
8	05286-22022	O Ring (d:1.9,Id:21.8)
9	08331-41266	Circle
10	12761-90J00	Chain, Timing
11	12771-90J00	Guide, Timing Chain
12	12810-90J00	Tensioner, Timing Chain
13	12813-73000	- Pad, Timing Chain Tensioner
14	12812-90J00	Spacer, Timing Chain Tensioner
15	12831-90J00	Adjuster, Tensioner
16	12831-90J01	Adjuster, Tensioner
17	12831-90J02	Adjuster, Tensioner
18	01421-0816A	Bolt, Stud
19	01550-0816A	Bolt
20	01550-0820A	Bolt
	08316-1006A	Nut

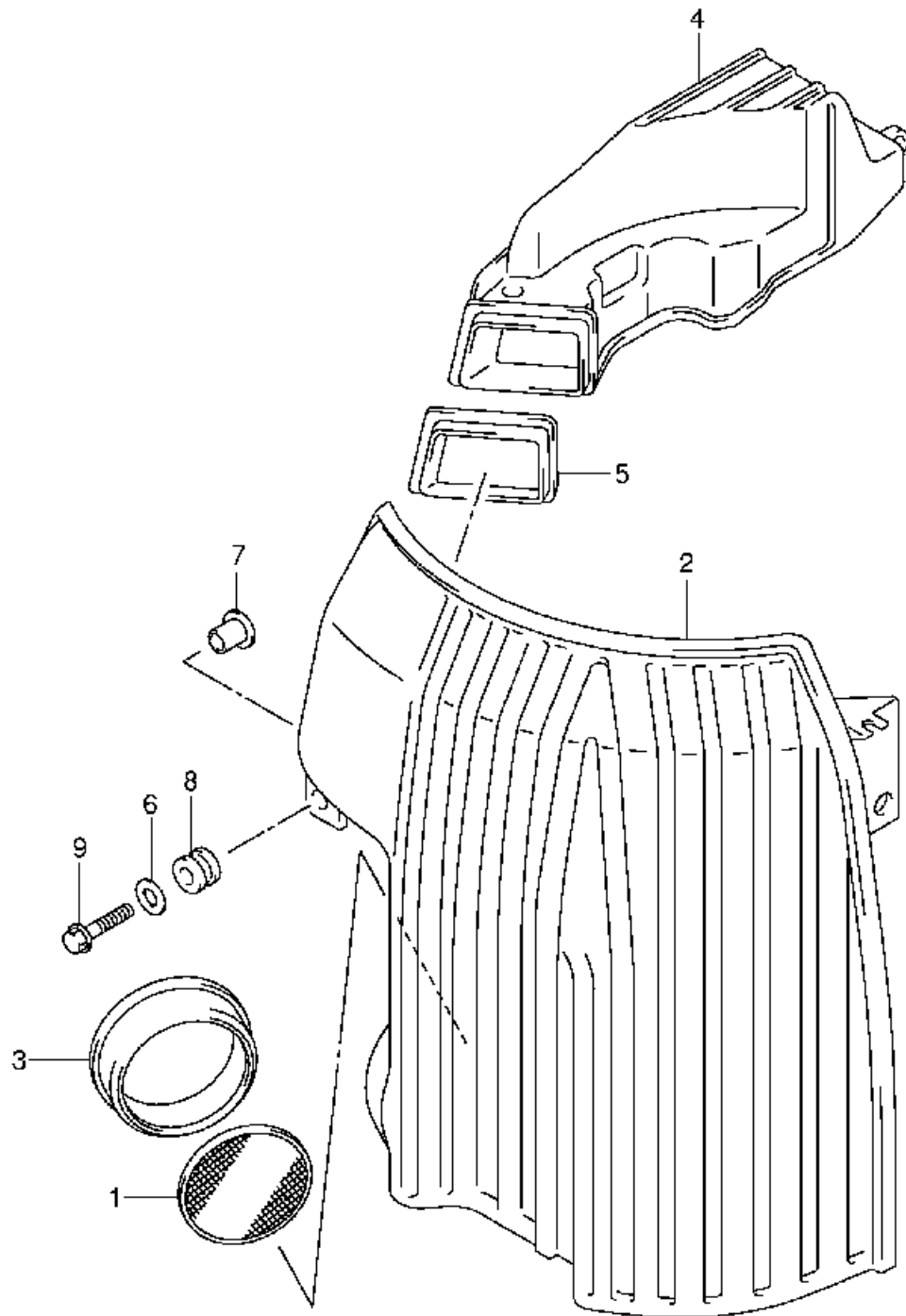


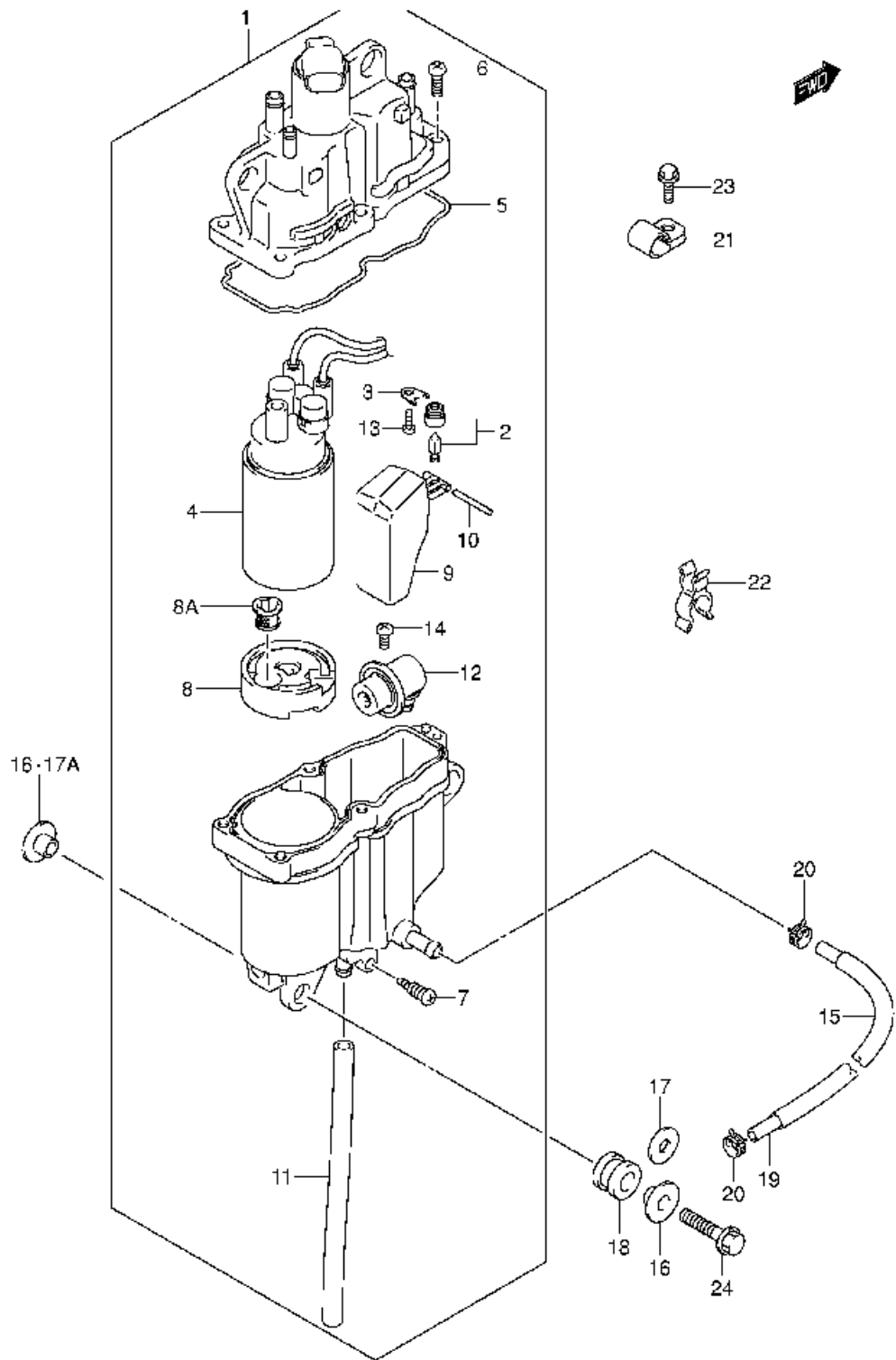


N° Réf.	N° Pièce	Désignation
1	12711-90J01	Camshaft, Intake
1	12711-90J11	Camshaft, Intake
2	12720-90J01	Camshaft, Exhaust
2	12720-90J20	Camshaft, Exhaust
3	12891-69G00	Tappet
4	12892-69G10-218	Shim, Tappet
4	12892-69G10-220	Shim, Tappet
4	12892-69G10-223	Shim, Tappet
4	12892-69G10-225	Shim, Tappet
4	12892-69G10-228	Shim, Tappet
4	12892-69G10-230	Shim, Tappet
4	12892-69G10-233	Shim, Tappet
4	12892-69G10-235	Shim, Tappet
4	12892-69G10-238	Shim, Tappet
4	12892-69G10-240	Shim, Tappet
4	12892-69G10-243	Shim, Tappet
4	12892-69G10-245	Shim, Tappet
4	12892-69G10-248	Shim, Tappet
4	12892-69G10-250	Shim, Tappet
4	12892-69G10-253	Shim, Tappet
4	12892-69G10-255	Shim, Tappet
4	12892-69G10-258	Shim, Tappet
4	12892-69G10-260	Shim, Tappet
4	12892-69G10-263	Shim, Tappet
4	12892-69G10-265	Shim, Tappet
4	12892-69G10-268	Shim, Tappet
4	12892-69G10-270	Shim, Tappet
4	12892-69G10-273	Shim, Tappet
4	12892-69G10-275	Shim, Tappet
4	12892-69G10-278	Shim, Tappet
4	12892-69G10-280	Shim, Tappet
4	12892-69G10-283	Shim, Tappet
4	12892-69G10-285	Shim, Tappet
4	12892-69G10-288	Shim, Tappet
4	12892-69G10-290	Shim, Tappet
4	12892-69G10-293	Shim, Tappet
4	12892-69G10-295	Shim, Tappet
4	12892-69G10-298	Shim, Tappet
4	12892-69G10-300	Shim, Tappet
4	12892-90J00-303	Shim, Tappet
4	12892-90J00-305	Shim, Tappet
4	12892-90J00-308	Shim, Tappet
4	12892-90J00-310	Shim, Tappet
4	12892-90J00-313	Shim, Tappet
5	12911-86FA1	Valve, Intake
6	12915-86F50	Valve, Exhaust
6	12915-86FA1	Valve, Exhaust
6	12915-86F50	Valve, Exhaust
7	12921-90J00	Spring, Valve
8	12931-90J00	Retainer, Valve Spring
9	12932-86FAD	Cotter, Valve
10	12933-86F10	Seat, Valve Spring
11	09289-06003	Seal, Valve Stem

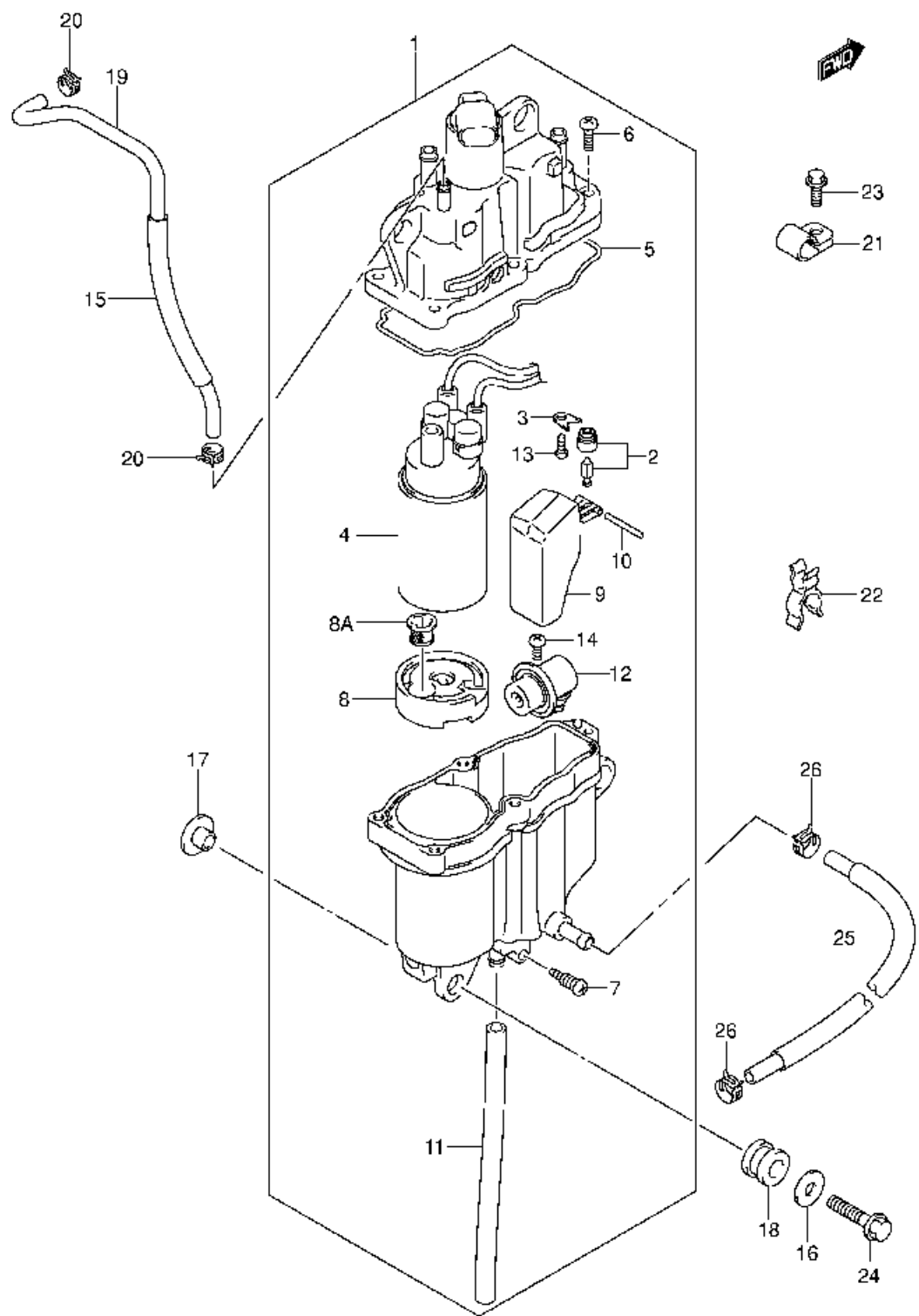
SILENCER

N° Réf.	N° Pièce	Désignation
1	13710-99E00	Arrester, Flame
2	13810-90J00	Silencer
3	13813-90J00	Holder, Flame Arrester
4	13840-90J00	Duct, Silencer
5	13851-90J00	Grommet, Silencer
6	09165-06984	Washer (6.5x1.6x1.6)
7	09169-06075	Washer
8	09320-09039	Cushion, Silencer Cover
9	01550-06307	Bolt
9	09116-06215	Bolt (w/washer)

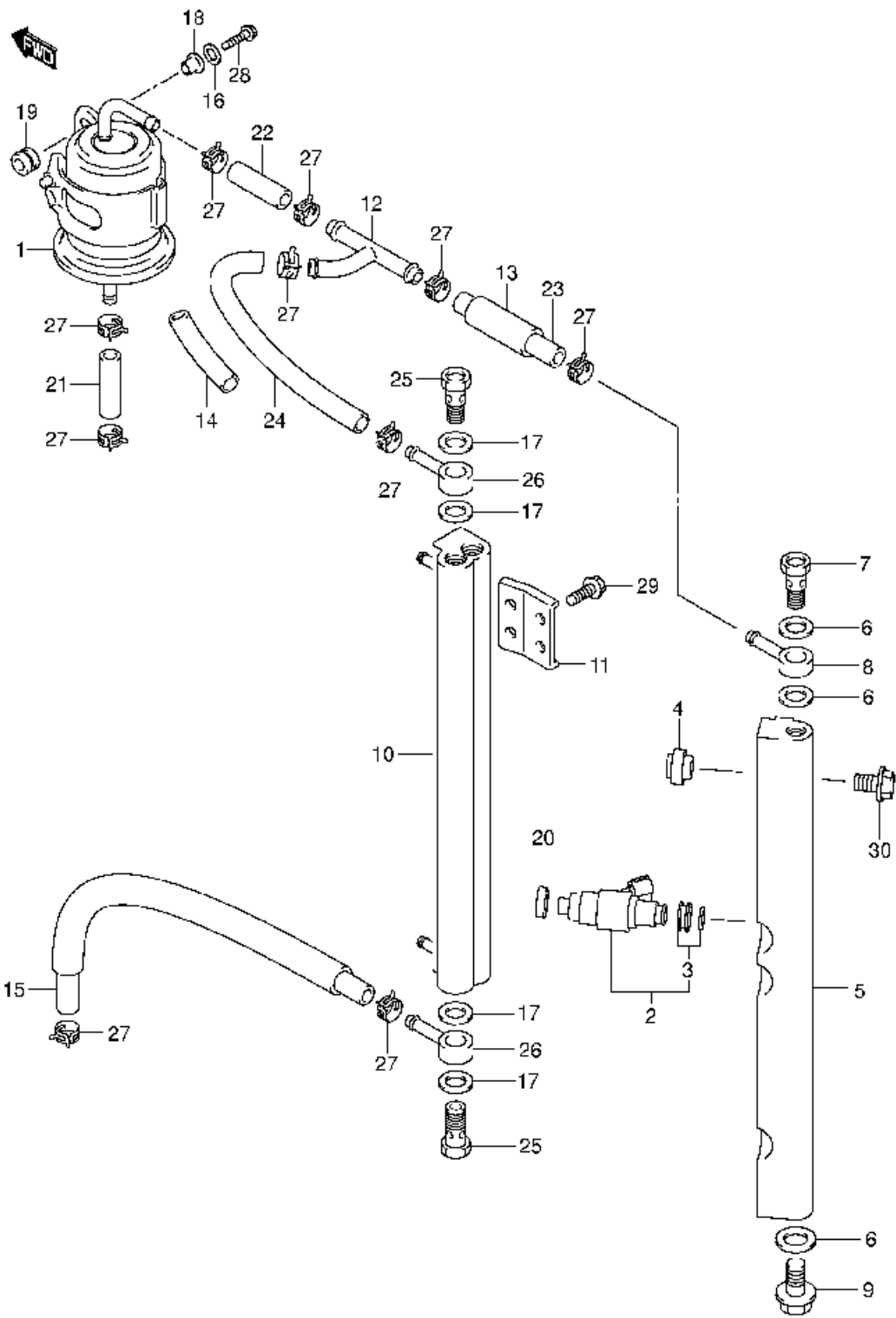




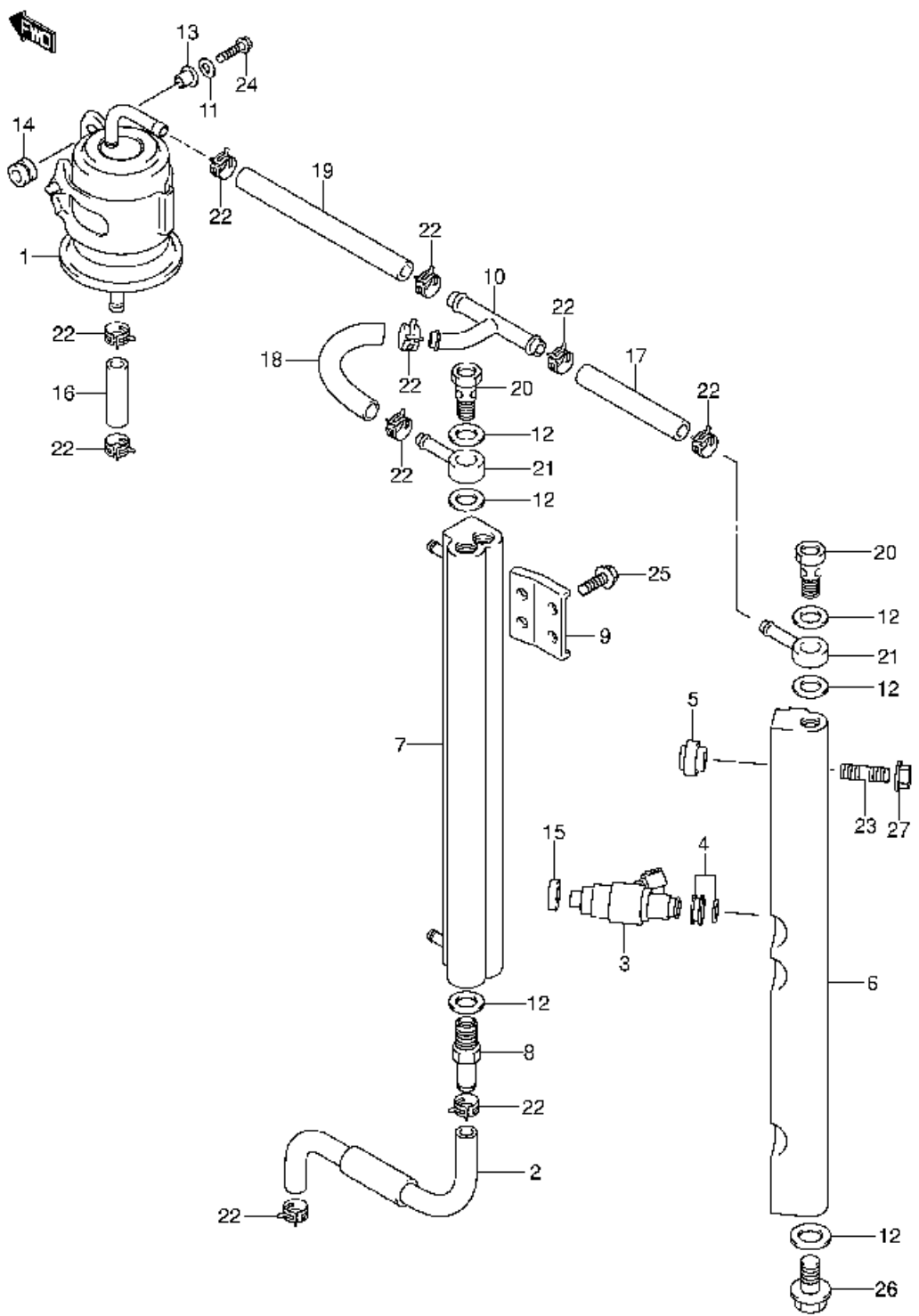
N° Réf.	N° Pièce	Désignation
1	15600-90J00	Separator, Fuel Vapor
2	13370-99E00	• Valve, Needle
3	13373-39110	• Plate
4	15200-90J00	• Pump, Fuel
5	15626-90J00	• Seal
6	15628-99E00	• Screw (0.15)
7	15629-99E10	• Screw, Drain
8	15541-90J00	• Spacer
8A	15642-90J00	• Filter
9	15650-99E00	• Float
10	15654-99E00	• Pin
11	15683-87J00	• Hose, Drain
12	15766-87J00	• Regulator
13	02142-04988	• Screw
14	02112-0510A	• Screw
15	15498-90J00	Protector, Evap Hose
16	09169-06067	Washer
17	09160-06084	Washer (6.5x18x1.6)
17A	09169-06075	Washer
18	09320-09039	Cushion
19	09352-50323-6000	Hose
20	17813-90J00	Clip
21	09400-13408	Clamp
22	09408-00124	Clamp
23	01550-06127	Bolt
24	01550-06257	Bolt
24	09116-06202	Bolt (w/washer)



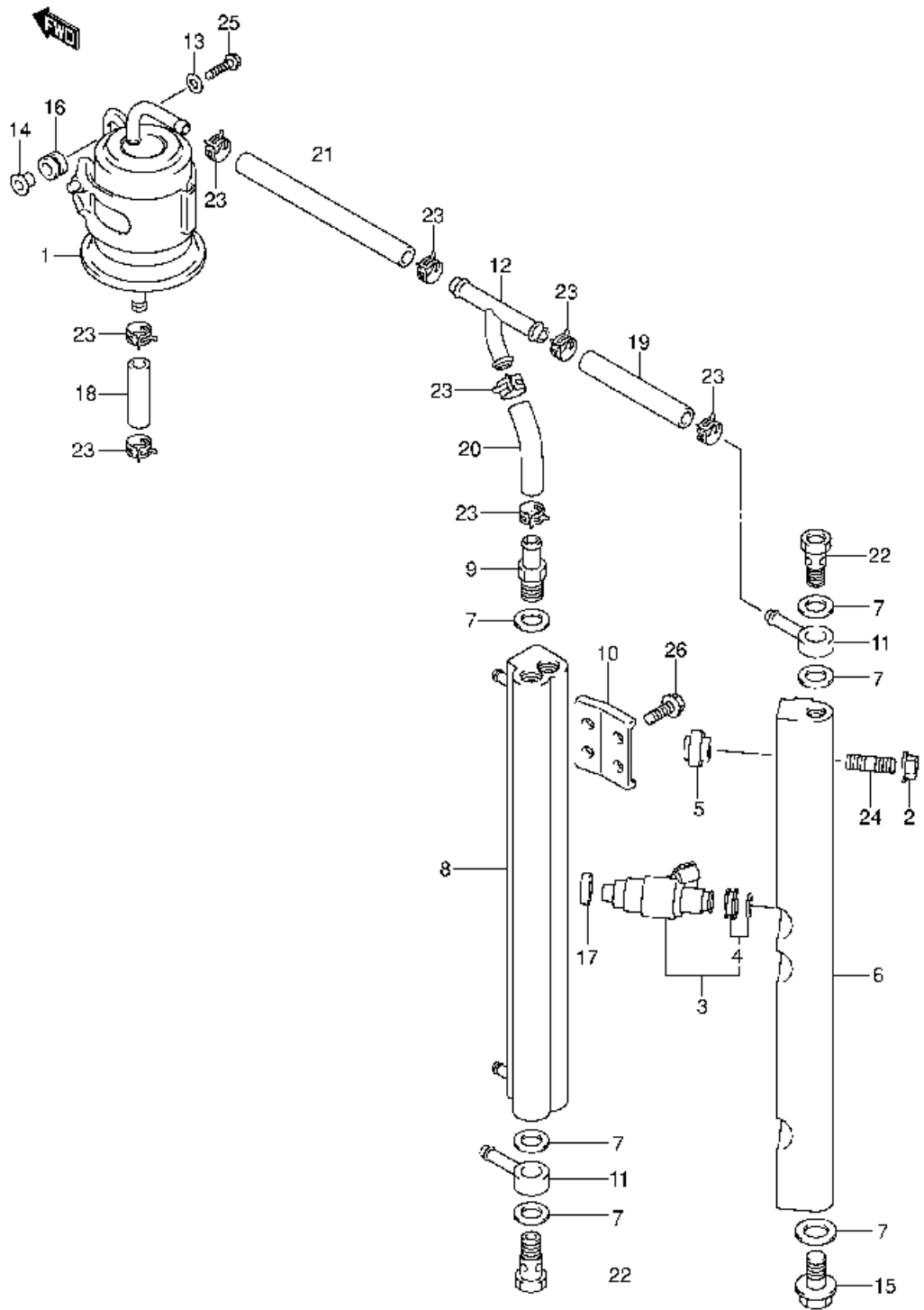
N° Réf.	N° Pièce	Désignation
1	15600-90J10	Separator, Fuel Vapor
2	13370-99E10	- Valve, Needle
3	13373-99E10	- Plate
4	15200-90J10	- Pump, Fuel
5	15626-90J10	- Seal
6	15628-99E10	- Screw (1.15)
7	15629-99E10	- Screw, Drain
8	15641-90J10	- Spacer, Fuel Pump
8A	15642-90J00	- Filter, Fuel Pump
9	15650-99E00	- Float
10	15654-99E00	- Pin
11	15683-87J00	- Hose, Drain
12	15760-87J00	- Regulator
13	13614-83J00	- Screw
14	15631-99E10	- Screw, Regulator
15	15498-90J00	Protector, Evap Hose
16	09160-06084	Washer (6.5x18x1.6)
17	09160-06075	Washer
18	09320-09039	Cushion
19	09352-50823-600	Hose, Evaporation (5.0x8.2x600)
20	17813-90J00	Clip
21	09403-13408	Clamp
22	09406-00124	Clamp
23	01550-06127	Bolt
24	01550-06257	Bolt
24	09116-06032	Bolt (w/washer)
25	15680-90J00	Hose, Fuel
26	17822-90J00	Clip



N° Réf.	N° Pièce	Désignation
1	15440-90J00	Filter, Fuel
2	15710-65D00	Injector, Fuel
3	15716-65D70	* Grommet Set
4	15735-58800	Insulator, Delivery Pipe
5	15750-90J00	Pipe, Delivery
6	09168-12013	* Gasket, Union
7	09360-12008	* Bolt, Union
8	09363-08004	* Union
9	01550-12167	* Bolt, Delivery Pipe
10	16770-90J01	Cooler, Fuel
11	15775-90J00	Bracket, Fuel Cooler
12	15830-99E00	Union, 3 Way Fuel Hose
13	16486-99E20	Protector, Fuel Hose
14	16486-99E20	Protector, Fuel Hose
15	15680-90J00	Hose (collar To Separator)
16	09168-06084	Washer (6.5x16x1.6)
17	09168-12013	Gasket
18	09168-06062	Washer
19	09320-98001	Cushion
20	09320-98062	Cushion
21	09356-75137-600	Hose (separator To Filter)
22	09356-75137-600	Hose (filter To 3 Way)
23	09356-75137-600	Hose (3 Way To Divy Pipe)
24	09356-75137-600	Hose (3 Way To Cooler)
25	09360-12008	Union
26	09363-08004	Union, Fuel Cooler
27	09401-11414	Clip
28	01500-06257	Bolt
29	01550-95167	Bolt
30	01550-08357	Bolt

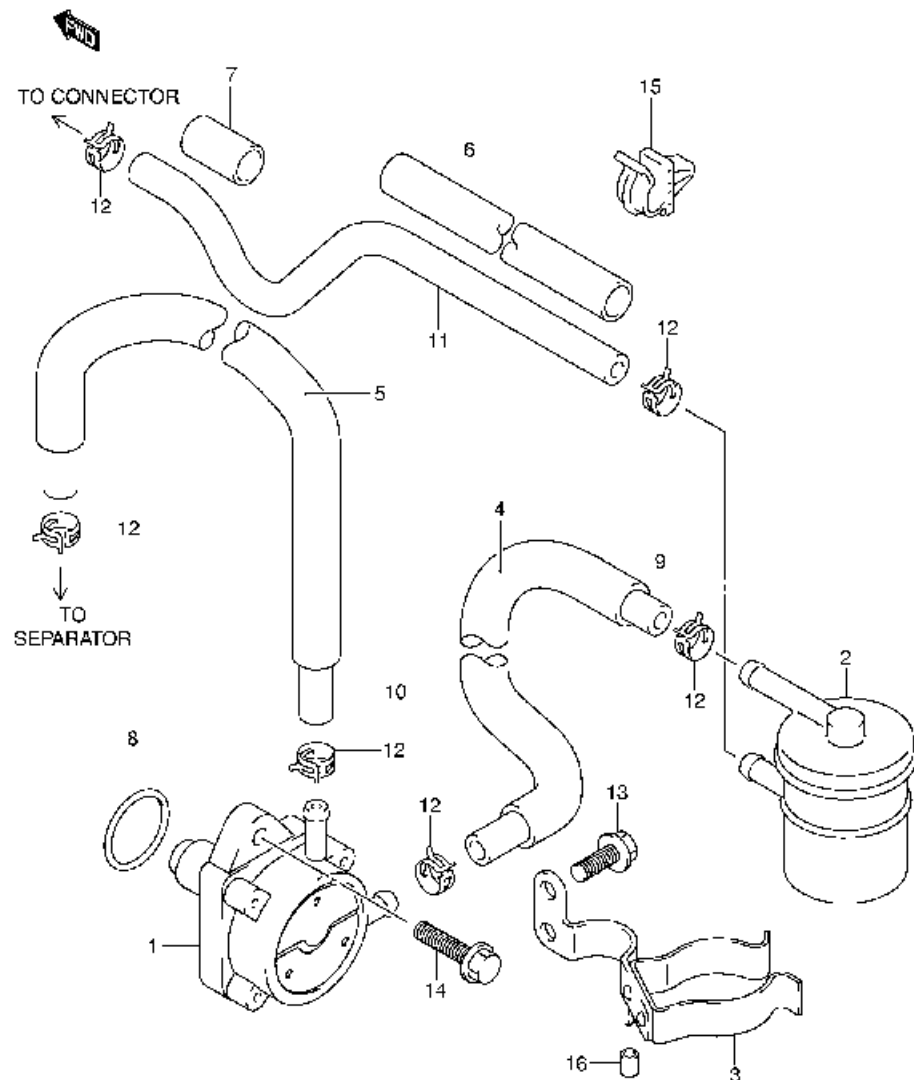


N° Réf.	N° Pièce	Désignation
1	15440-90J00	Filter, Fuel
2	15680-90J00	Hose, Fuel
3	15710-65D00	Injector, Fuel
4	15716-65D10	*, Grommet Set
5	15735-58B00	Insulator, Delivery Pipe
6	15751-90J03	Pipe, Delivery
7	15770-90J02	Cooler, Fuel
8	15773-90J00	Union, Fuel Hose
9	15775-90J00	Bracket, Fuel Cooler
10	15830-99E00	Union, 3 Way Fuel Hose
11	09165-06994	Washer (6.5x1x1.6)
12	09168-12D13	Gasket
13	09169-06962	Washer
14	09320-86501	Cushion
15	09320-98062	Cushion
16	09356-75137-600	Hose (separator To Filter)
17	09356-75137-600	Hose (3 Way To Dvly Pipe)
18	09356-75137-600	Hose (3 Way To Cooler)
19	09356-75137-600	Hose (Filter To 3 Way)
20	09360-12008	Union
21	09363-08004	Union, Fuel Cooler
22	17822-90J00	Clip
23	01421-08357	Bolt, Stud
24	01550-06257	Bolt
24	09116-06202	Bolt (washer)
25	01550-06167	Bolt
26	01550-12167	Bolt
27	08316-10087	Nut



N° Réf.	N° Pièce	Désignation
1	15440-90J10	Filter, Fuel
2	08316-10087	Nut
3	15719-65D00	Injector, Fuel
4	15716-65D00	Grommet Set
5	15735-58800	Insulator, Delivery Pipe
6	15751-90J03	Pipe, Delivery
7	15762-90J00	Gasket, Union
8	15770-90J02	Cooler, Fuel
9	15773-90J00	Union, Fuel Hose
10	15775-90J00	Bracket, Fuel Cooler
11	15830-90J00	Joint, Fuel Main
12	15830-99E00	Union, 3 Way Fuel Hose
13	08166-06684	Washer (6.5x18x1.6)
14	09169-65682	Washer
15	09247-12013	Plug, Delivery Pipe
16	09320-08501	Cushion
17	09320-08962	Cushion
18	09356-75137-600	Hose (separator To Filter)
19	09356-75137-600	Hose (3 Way To Divv Pipe)
20	09356-75137-600	Hose (3 Way To Cooler)
21	09356-75137-600	Hose (filter To 3 Way)
22	09360-12013	Union
23	17822-90J00	Clip
24	01421-08957	Bolt, Stud
25	01500-06257	Bolt
26	09116-06002	Bolt (w/washer)
26	01550-06167	Bolt

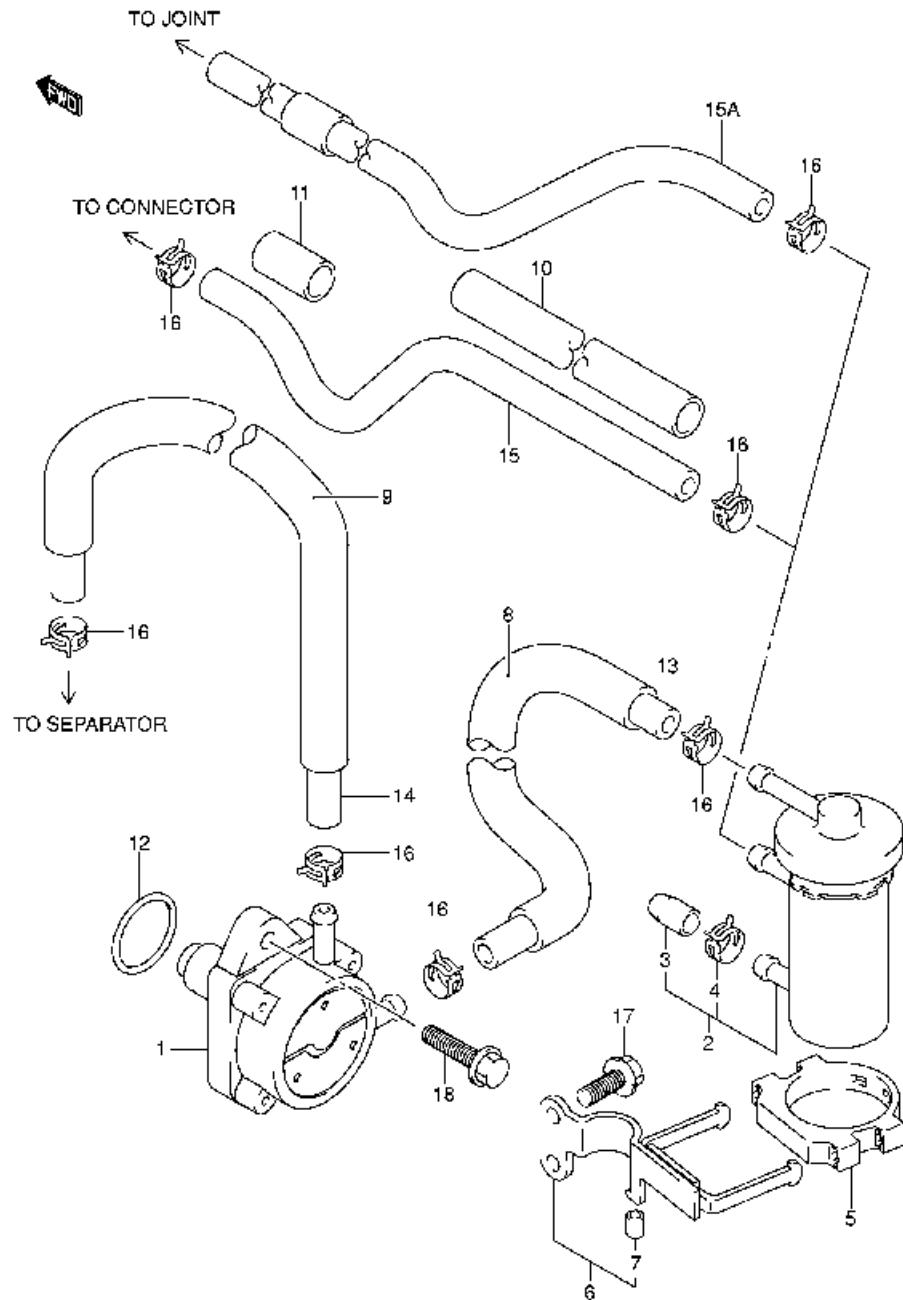
FIG.14



N° Réf.	N° Pièce	Désignation
1	15100-80J10	Pump, Fuel
2	15410-87J10	Filter, Fuel
3	15420-90J01	Bracket, Fuel Filter
4	15420-90J10	Bracket, Fuel Filter
5	18498-99E10	Protector, Fuel Hose (610)
6	18498-99E10	Protector, Fuel Hose (610)
7	18498-99E10	Protector, Fuel Hose (610)
8	09280-26005	O Ring (ø2.4x1.26.2)
9	15192-90J00	Hose, Fuel (filter To Pump)
10	09355-70125-600	Hose, Fuel (pump To Separator)
11	15191-80J00	Hose, Fuel (conn To Filter)
12	08601-11407	Clip
13	01550-06167	Bolt
14	01550-06257	Bolt
15	09403-11314	Clamp
16	09320-05016	Cushion

DF90 115 E01_014
FUEL PUMP (1)

FIG.15



N° Réf.	N° Pièce	Désignation
1	15100-90J1V	Pump, Fuel
2	15410-87J30	Filter, Fuel
3	15419-87J00	- Cap, Fuel Filter
4	17818-90J00	- Clip, Filter Cap
5	15422-96J00	Clamp, Filter
6	15420-90J30	Bracket, Fuel Filter
7	09320-05016	- Gasket, Bracket
8	18498-99E10	Protector, Fuel Hose (610)
9	18498-99E10	Protector, Fuel Hose (610)
10	18498-99E10	Protector, Fuel Hose (610)
11	18498-99E10	Protector, Fuel Hose (610)
12	09280-26005	O Ring (d2.4,d2.6,z)
13	15192-90J00	Hose, Fuel (Filter To Pump)
14	09355-70125-600	Hose, Fuel (Pump To Separator)
15	15191-90J00	Hose, Fuel (conn To Filter)
15a	15190-90J00	Hose, Fuel (conn To Filter)
16	17818-90J00	Clip
17	01550-90167	Bolt
18	01550-06257	Bolt

DF90 115 E01_015
 FUEL PUMP (2)

FIG.16

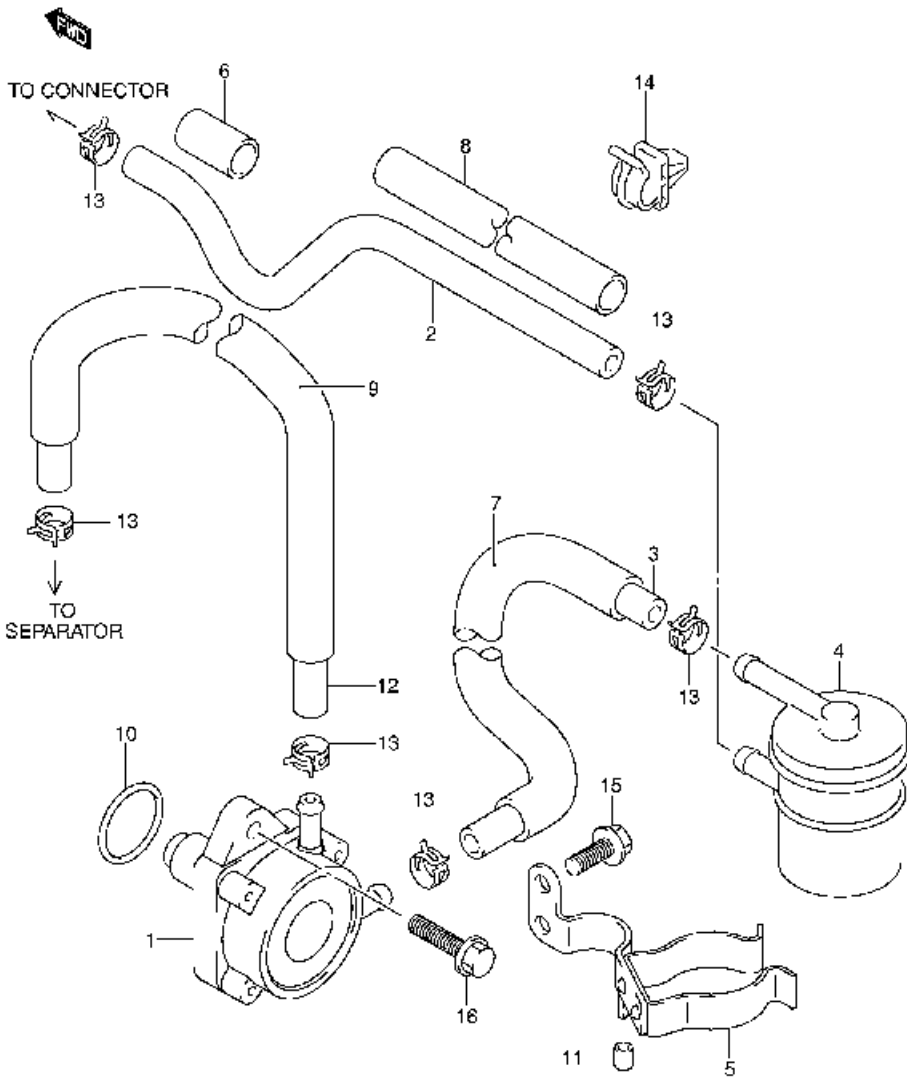
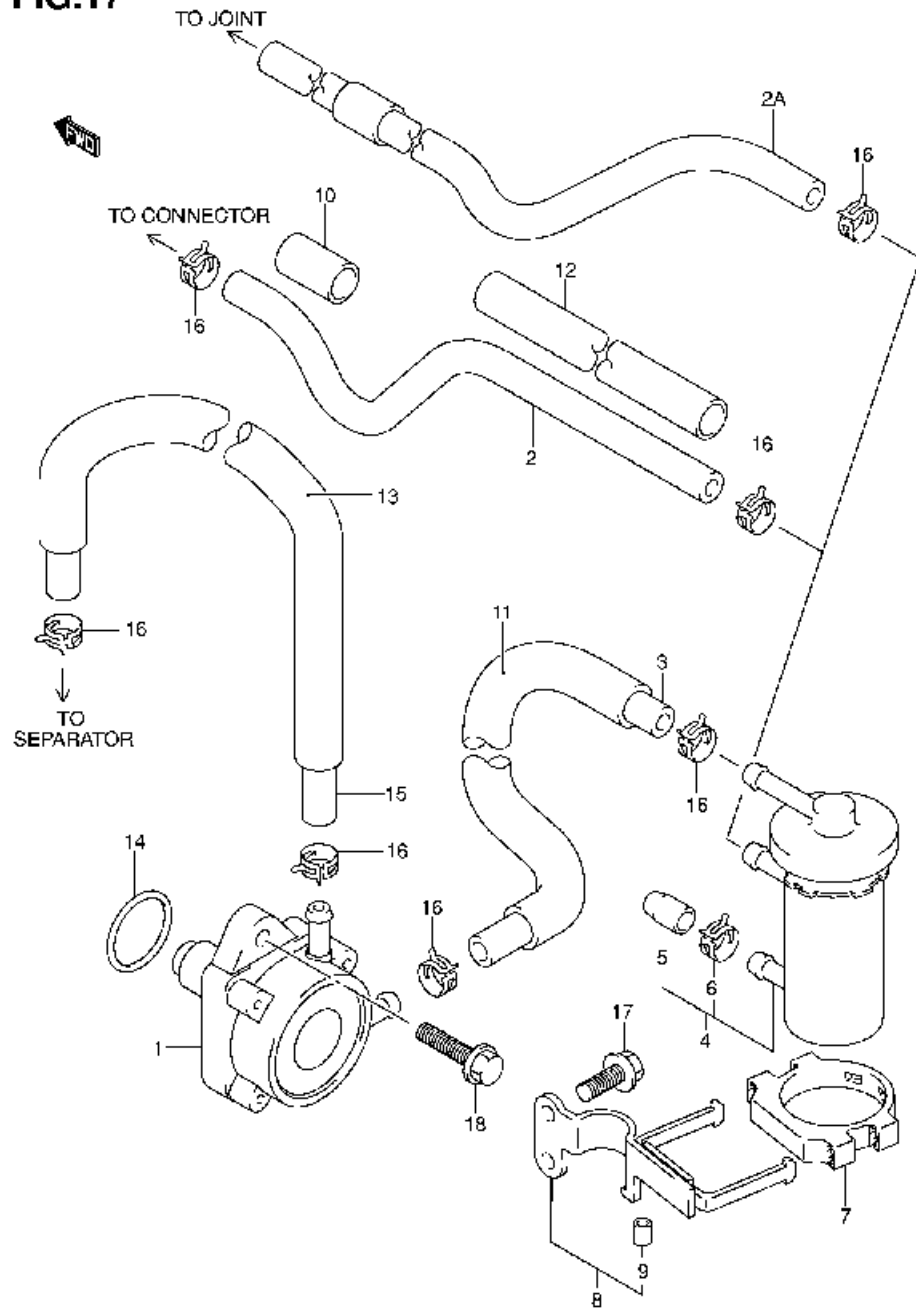


FIG16 FUEL PUMP (DF115WT)

N° Réf.	N° Pièce	Désignation
1	15100-90J10	Pump, Fuel
2	15191-90J10	Hose, Fuel (conn To Filter)
3	15192-90J10	Hose, Fuel (Filter To Pump)
4	15410-87J20	Filter, Fuel
5	15420-90J01	Bracket, Fuel Filter
6	15420-90J10	Bracket, Fuel Filter
7	18498-99E10	Protector, Fuel Hose
8	18498-99E10	Protector, Fuel Hose
9	18498-99E10	Protector, Fuel Hose
10	09320-05016	O Ring (62.4x1.26.2)
11	09320-05016	Cushion
12	09325-70129-600	Hose, Fuel (pump To Separator)
13	09401-11407	Clip
14	09403-11314	Clamp
15	01550-06167	Bolt
16	01550-06257	Bolt

DF90 115 E01_016
FUEL PUMP (3)

FIG.17

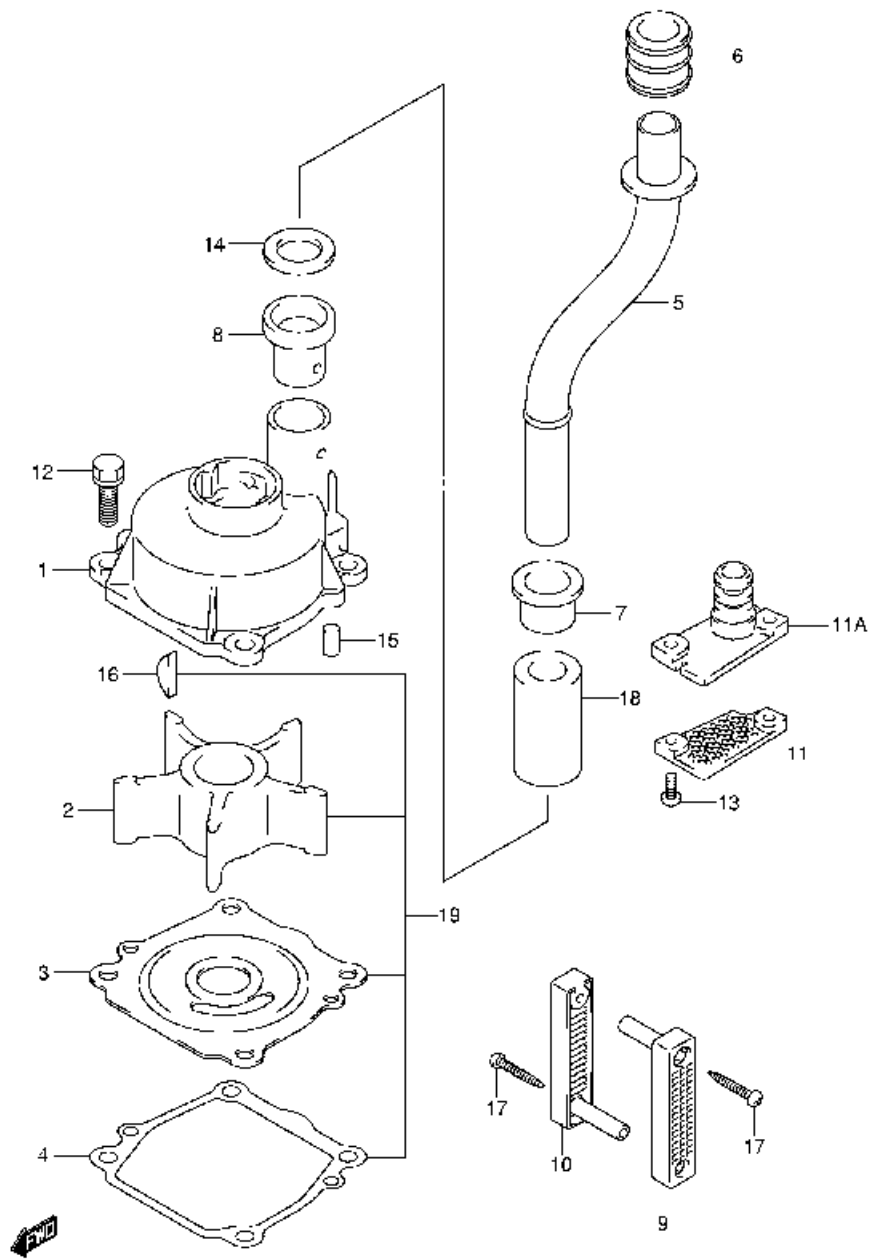


N° Réf.	N° Pièce	Désignation
1	15100-90J1V	Pump, Fuel
2	15191-90J10	Hose, Fuel (conn To Filter)
2a	15190-90J20	Hose, Fuel (joint To Filter)
3	15192-90J10	Hose, Fuel (filter To Pump)
4	15410-87J30	Filter, Fuel
5	15419-87J00	- Cap, Fuel Filter
6	17818-90J00	- Clip, Fuel Cap
7	15422-96J00	Bracket, Fuel Filter
8	15420-90J30	Clamp, Fuel Filter
9	09230-05016	- Cushion, Bracket
10	18498-99E10	Protector, Fuel Hose
11	18498-99E10	Protector, Fuel Hose
12	18498-99E10	Protector, Fuel Hose
13	18498-99E10	Protector, Fuel Hose
14	09280-26005	O Ring (ø2.4x1.26.2)
15	09395-70J29-600	Hose, Fuel (pump To Separator)
16	17818-90J00	Clip
17	01550-90187	Bolt
18	01550-06257	Bolt

DF90 115 E01_017
FUEL PUMP (4)

FIG.18

FIG18 WATER PUMP (DF90T,DF115T)



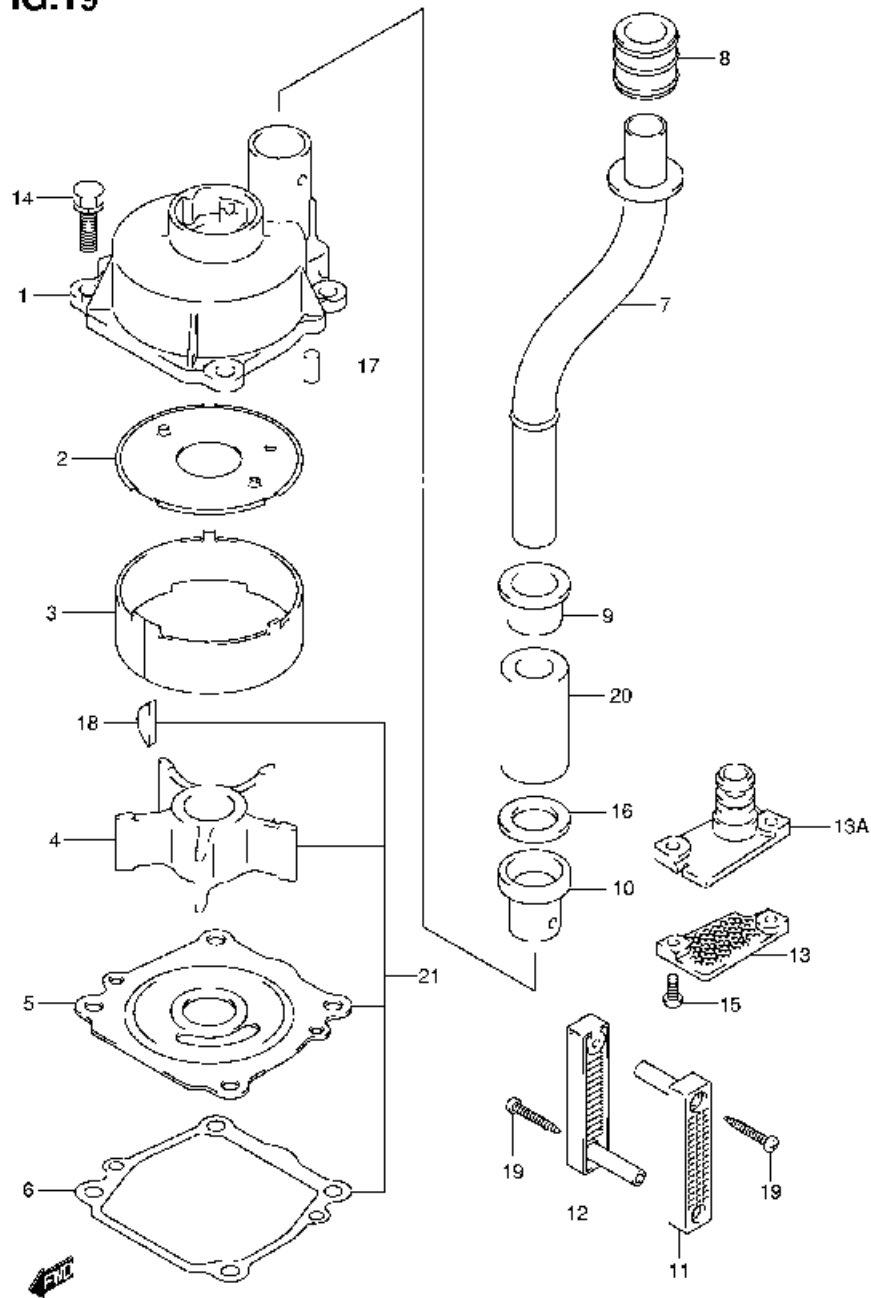
N° Réf.	N° Pièce	Désignation
1	17411-90J00	Case, Water Pump
2	17461-90J01	Impeller, Water Pump
3	17471-87E01	Panel, Pump Case Under
3	17471-87E10	Panel, Pump Case Under
4	17472-87E10	Gasket, Pump Case Panel
5	17560-90J01	Tube, Water (I)
5	17560-90J11	Tube, Water (S)
6	17562-90J00	Bush, Water Tube Upper
7	17563-87D00	Bush, Water Tube Lower
8	17564-87D00	Bush, Water Pump Case
9	17631-90J00	Filter, Water Port Side
10	17632-90J00	Filter, Water Std Side
11	17635-87E00	Filter, Water Sub
11a	17635-90J00	Plug, Sub Water Tube
12	09117-09097	Bolt (8x2)
13	09125-05046	Screw (5x12)
14	09161-15008	Washer
15	09202-06031	Pin, Knock
16	09420-05009	Key
17	03112-04003	Screw
17	09132-04034	Screw (4x18)
18	17612-90J00	Spacer, Water Tube
19	17400-90J11	Water Pump Repair Kit

DF90 115 E01_018
WATER PUMP (1)

FIG19 WATER PUMP (DF115WT)

N° Réf.	N° Pièce	Désignation
1	17411-90J20	Case, Water Pump
2	17412-90J01	Panel, Pump Case Upper
3	17413-90J00	Sleeve, Water Pump
4	17461-90J01	Impeller, Water Pump
5	17471-87E10	Panel, Pump Case Under
6	17472-87E10	Gasket, Pump Case Panel
7	17560-90J01	Tube, Water (I)
7	17560-90J11	Tube, Water (A)
8	17562-90J00	Bush, Water Tube Upper
9	17563-87D00	Bush, Water Tube Lower
10	17564-87D00	Bush, Water Pump Case
11	17631-90J00	Filter, Water Port Side
12	17632-90J00	Filter, Water Std Side
13	17635-87E00	Filter, Water Sub
13a	17635-90J00	Plug, Sub Water Tube
14	09117-38057	Bolt (8x25)
15	09125-05046	Screw (8x12)
16	09161-16008	Washer
17	06202-06031	Pin, Knock
18	09420-05009	Key
19	09132-04034	Screw
20	17612-90J00	Spacer, Water Tube
21	17400-90J11	Water Pump Repair Kit

FIG.19

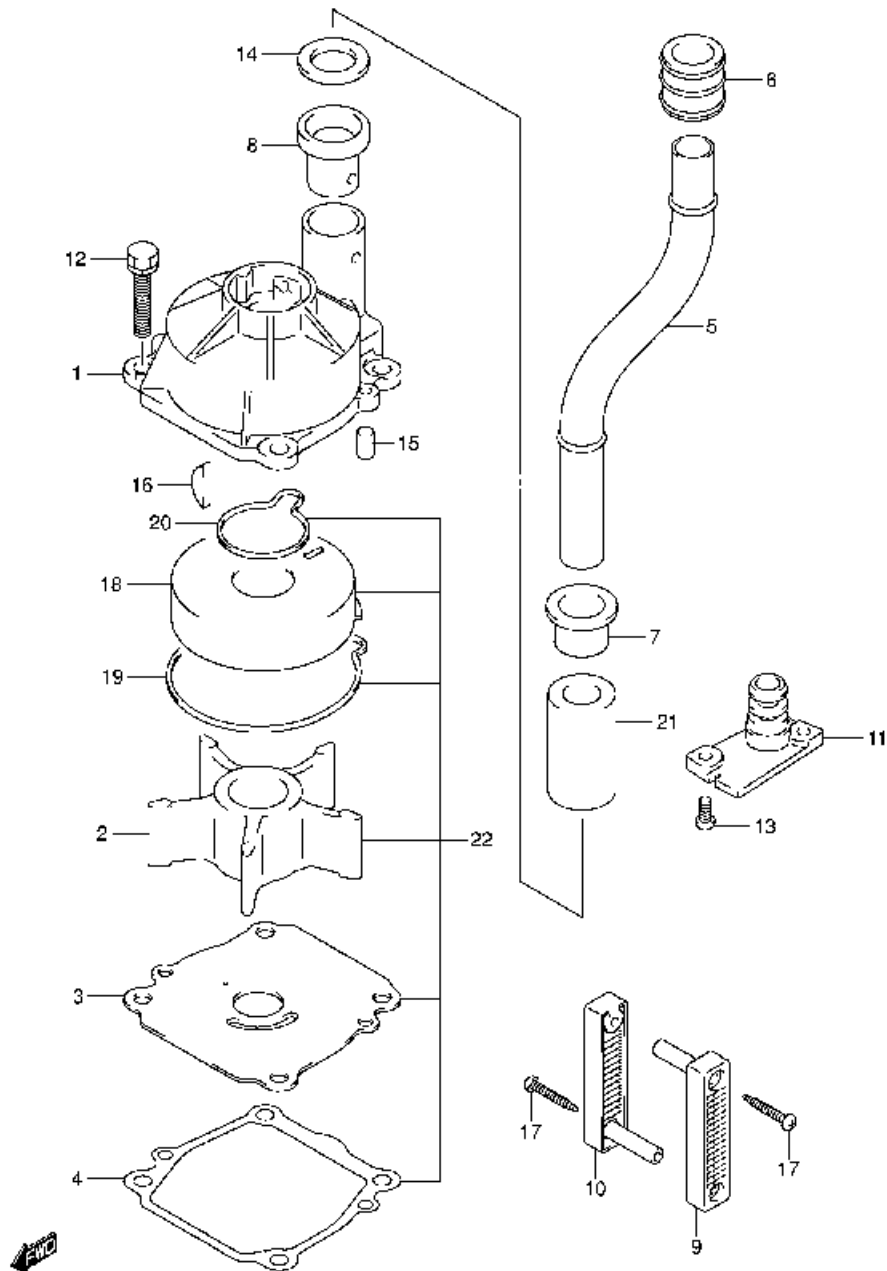


DF90 115 E01_019
WATER PUMP (2)

FIG.20

FIG20 WATER PUMP (DF90T-680686--DF115T/WT-681518--DF115Z/WZ)

N° Réf.	N° Pièce	Désignation
1	17411-92J00	Case, Water Pump
2	17461-90J01	Impeller, Water Pump
3	17471-92J00	Panel, Pump Case Under
3	17471-92J10	Panel, Pump Case Under
4	17472-87E10	Gasket, Pump Case Panel
5	17561-90J02	Tube, Water (I)
5	17561-90J12	Tube, Water (V)
6	17562-90J00	Bush, Water Tube Upper
7	17563-87D00	Bush, Water Tube Lower
8	17564-87D00	Bush, Water Pump Case
9	17631-90J00	Filter, Water Post Side
10	17632-90J00	Filter, Water Std Side
11	17626-90J00	Plug, Sub Water Tube
12	09116-08131	Bolt (6x6)
13	09125-05046	Screw (5x12)
14	09161-16008	Washer
15	09202-06031	Pin, Knock
16	09420-05009	Key
17	09132-04034	Screw (4x18)
18	17413-92J00	Sleeve, Water Pump Case
18	17413-92J10	Sleeve, Water Pump Case
19	17416-92J00	Sealing, Water Pump Case No.1
20	17417-92J00	Sealing, Water Pump Case No.2
21	17612-90J00	Spacer, Water Tube
22	17400-92J00	Water Pump Repair Kit



DF90 115 E01_020
WATER PUMP (3)

FIG.21

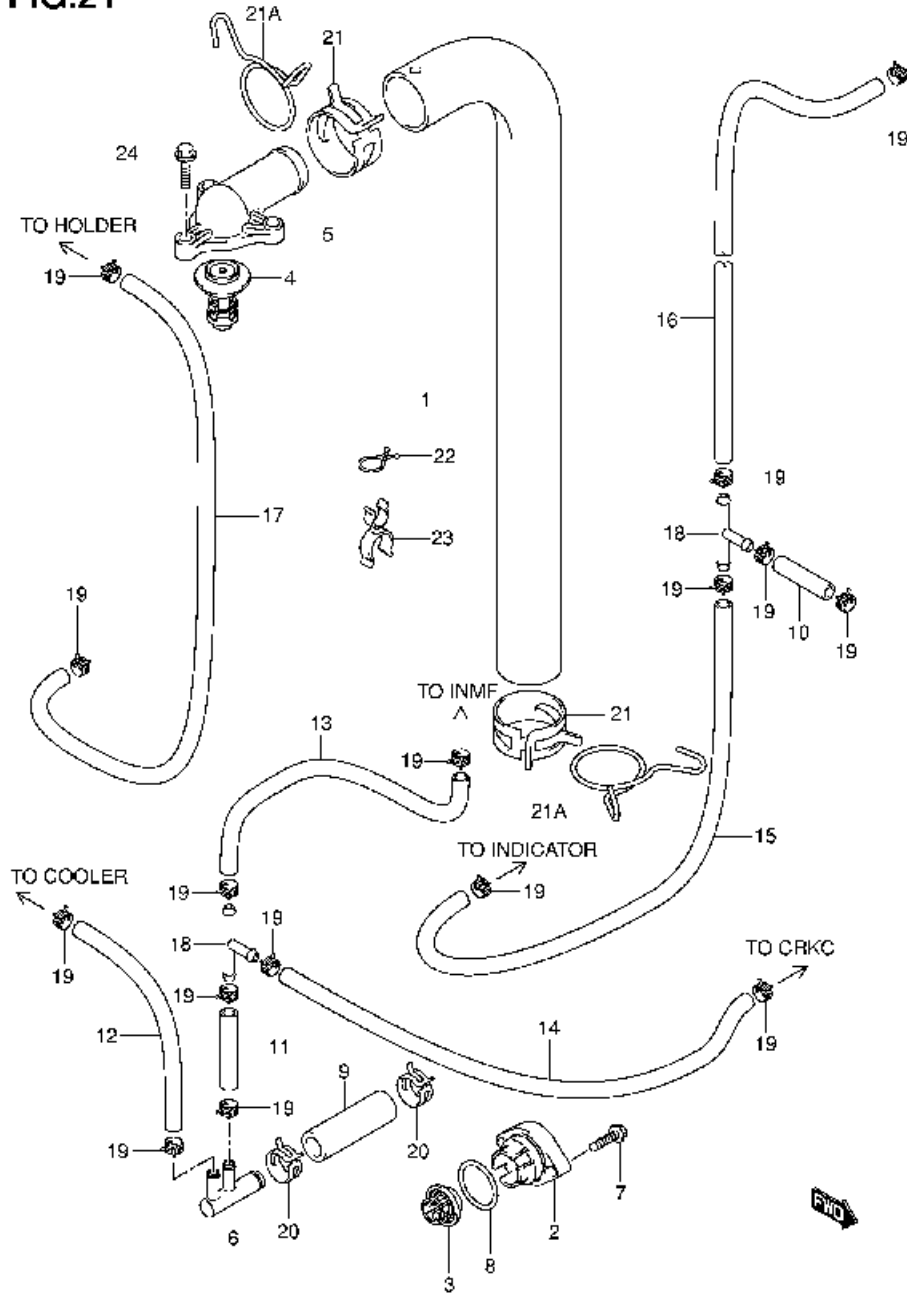
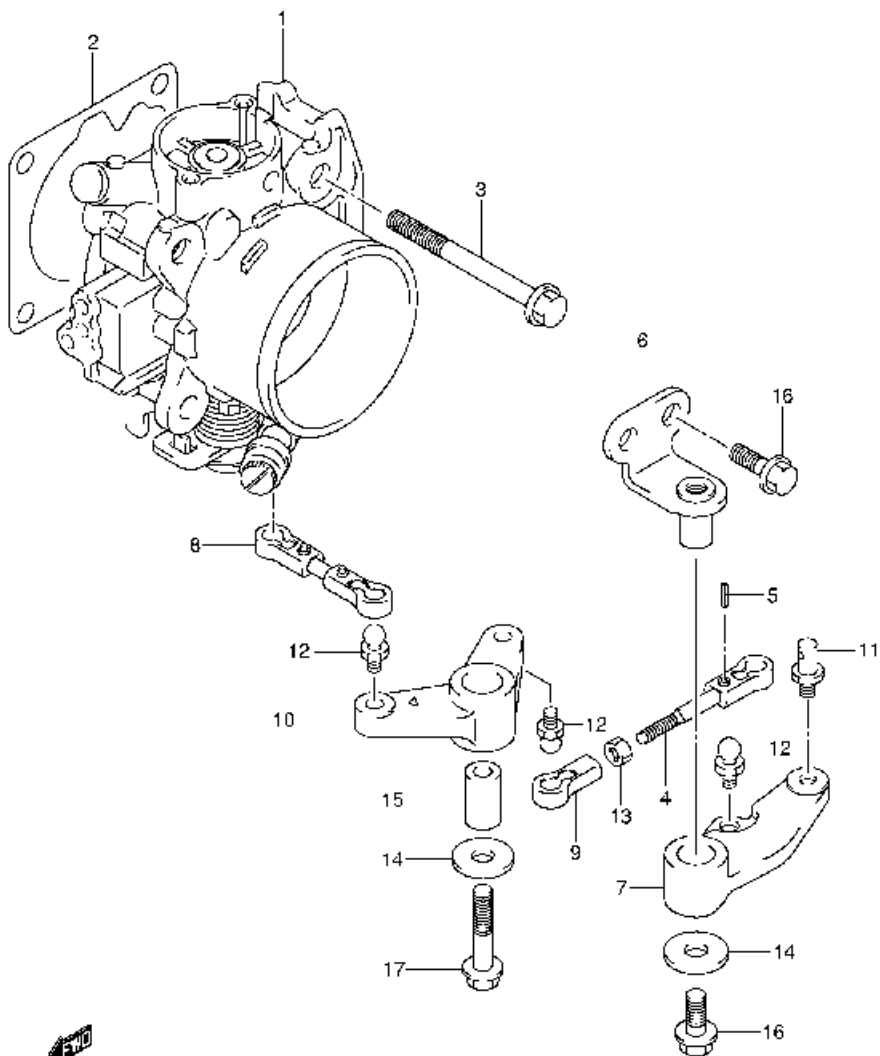


FIG.21 THERMOSTAT

N° Réf.	N° Pièce	Désignation
1	11196-90J00	Hose, Water Return
2	17811-90J00-DEP	Cover, Water Press Valve
3	17860-90J00	Valve, Water Pressure
4	17670-90J00	Thermostat (625)
4	17670-90J10	Thermostat (712)
5	17881-90J01	Cover, Thermostat
6	17711-90J00	3 Way, Water Hose
7	09116-06121	Bolt (6x25)
8	09289-26036	O Ring (3.1 Jd.26.4)
9	09352-11153-600	Hose (holder To 3 Way)
10	09352-50903-600	Hose (nmf Cover To 3 Way)
11	09352-50903-600	Hose (3 Way To 3 Way)
11	09352-50903-600	Hose (3 Way To 3 Way)
12	09352-50903-600	Hose (3 Way To Cooler)
13	09352-50903-600	Hose (3 Way To Inmf)
14	09352-50903-600	Hose (3 Way To Crkc Lower)
15	09352-50903-600	Hose (3 Way To Indicator)
16	09352-50903-600	Hose (crkc Upper To 3 Way)
17	09352-50903-008	Hose, Water (cooler To Holder)
18	09367-66032	3 Way, Water Hose
19	17814-90J00	Clip
20	17838-90J00	Clip
21	17835-90J00	Clip
21a	09401-31201	Clip
22	09408-00024	Clip
23	09408-00056	Clip
23	09408-00069	Clip
24	01550-06257	Bolt

DF90 115 E01 021
THERMOSTAT

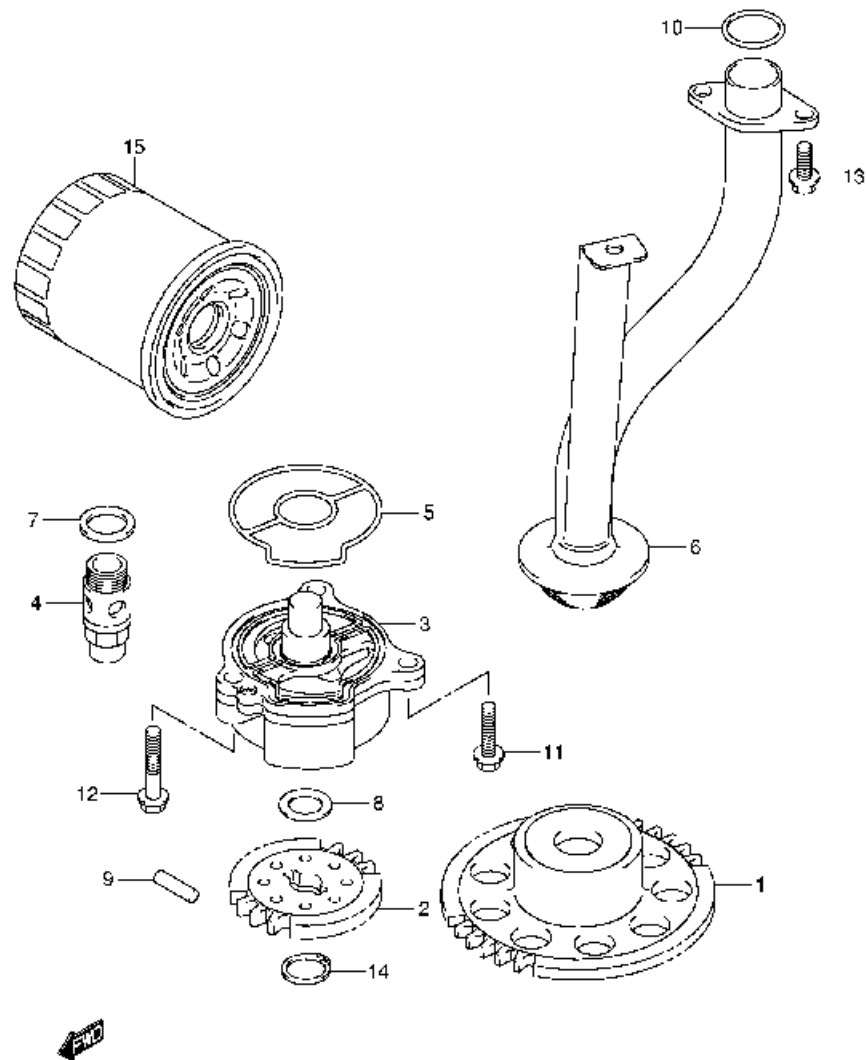
FIG.22



N° Réf.	N° Pièce	Désignation
1	13300-90J00	Body Assy, Throttle
2	13421-90J00	Gasket, Throttle Body
3	01550-08607	Bolt, Throttle Body
3	01550-08657	Bolt
4	13510-90J00	Rod, Throttle
5	09205-02006	- Pin, Spring
6	19115-90J00	Holder, Throttle Lever
7	19121-90J00	Lever, Throttle No.1
8	19130-90J00	Rod, Throttle No.2
8	19130-90J10	Rod, Throttle No.2
9	19131-95502	Connector, Throttle Rod
10	19148-90J00	Lever, Throttle
11	67473-89J00	Pin, Remote Connector
12	08119-05010	Pivot, Throttle Lever
13	09140-55005	Nut, Throttle Rod
14	09160-06046	Washer (6.5x20x1.5)
15	09160-06186	Spacer, Throttle Lever No.2
16	01550-06167	Bolt, Throttle Lever & Holder
17	01550-06357	Bolt, Throttle Lever No.2

DF90 115 E01 022
THROTTLE BODY

FIG.23



N° Réf.	N° Pièce	Désignation
1	12635-90J01	Gear, Oil Pump Drive
2	15113-90J00	Gear, Oil Pump Driven
3	16400-90J00	Pump Assy, Oil
4	16440-99E00	Valve, Oil Relief
5	16451-90J00	O Ring, Oil Pump
6	16520-90J00	Strainer, Oil Pump
7	09168-16002	Gasket (16x22x0.9)
8	05181-12158	Washer (12x20x0.5)
9	05261-05006	Pin
10	09280-22020	O Ring (42.4 Jd21.8)
11	09280-22020	O Ring (42.4 Jd21.8)
12	01547-06357	Bolt
13	01550-0616A	Bolt
14	08331-31190	Clutch
15	16510-90J00	Filter, Oil

DF90 115 E01 023
OIL PUMP

FIG.24

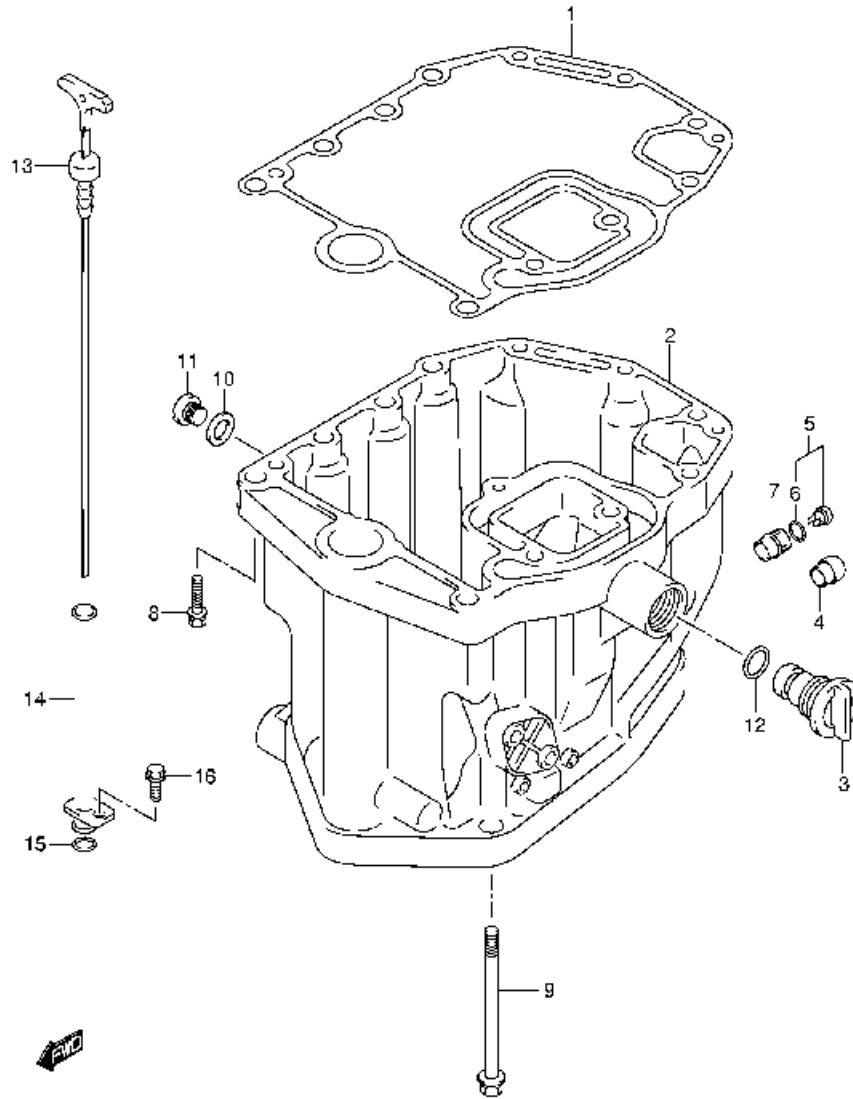


FIG24 OIL PAN

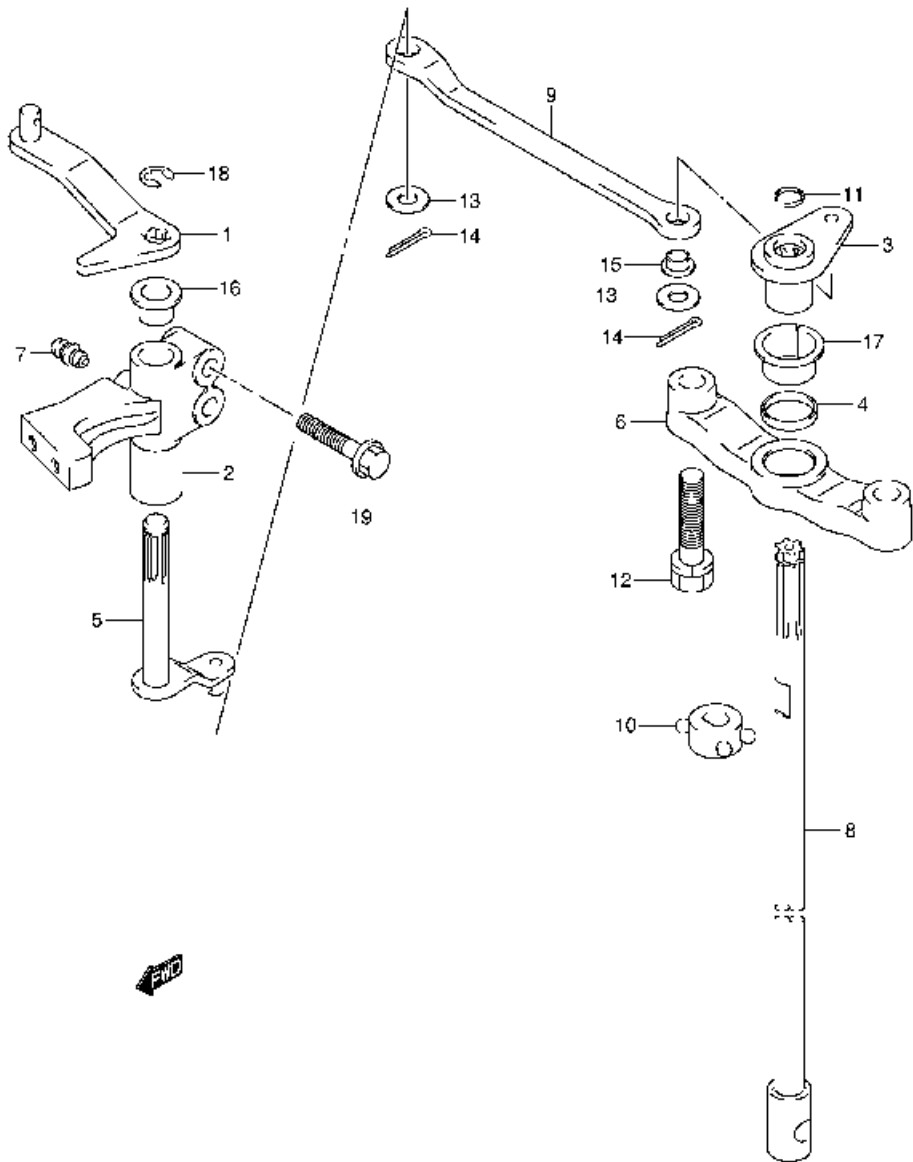
N° Réf.	N° Pièce	Désignation
1	11489-90J00	Gasket, Oil Pan
2	11501-90J04-0EP	Pan, Oil
3	17913-99E11	Plug, Water
4	43112-99E00	Pipe, Exhaust
5	61150-99E00	Cover, Water Indicator
6	09280-09005	O Ring (d1.9, id 8.6)
7	61155-99E01	Tube, Water Indicator
8	09116-08128	Bolt (8x40)
9	09116-10129	Bolt (10x160)
10	09168-12012	Gasket
11	09248-12007	Plug
12	09248-12009	Plug
13	16910-90J00	Gauge, Oil Level
14	16930-90J01	Guide, Oil Level
15	09280-09008	O Ring (d2.1, id 8.8)
16	01550-06127	Bolt

DF90 115 E01 024
OIL PAN

FIG25 CLUTCH SHAFT

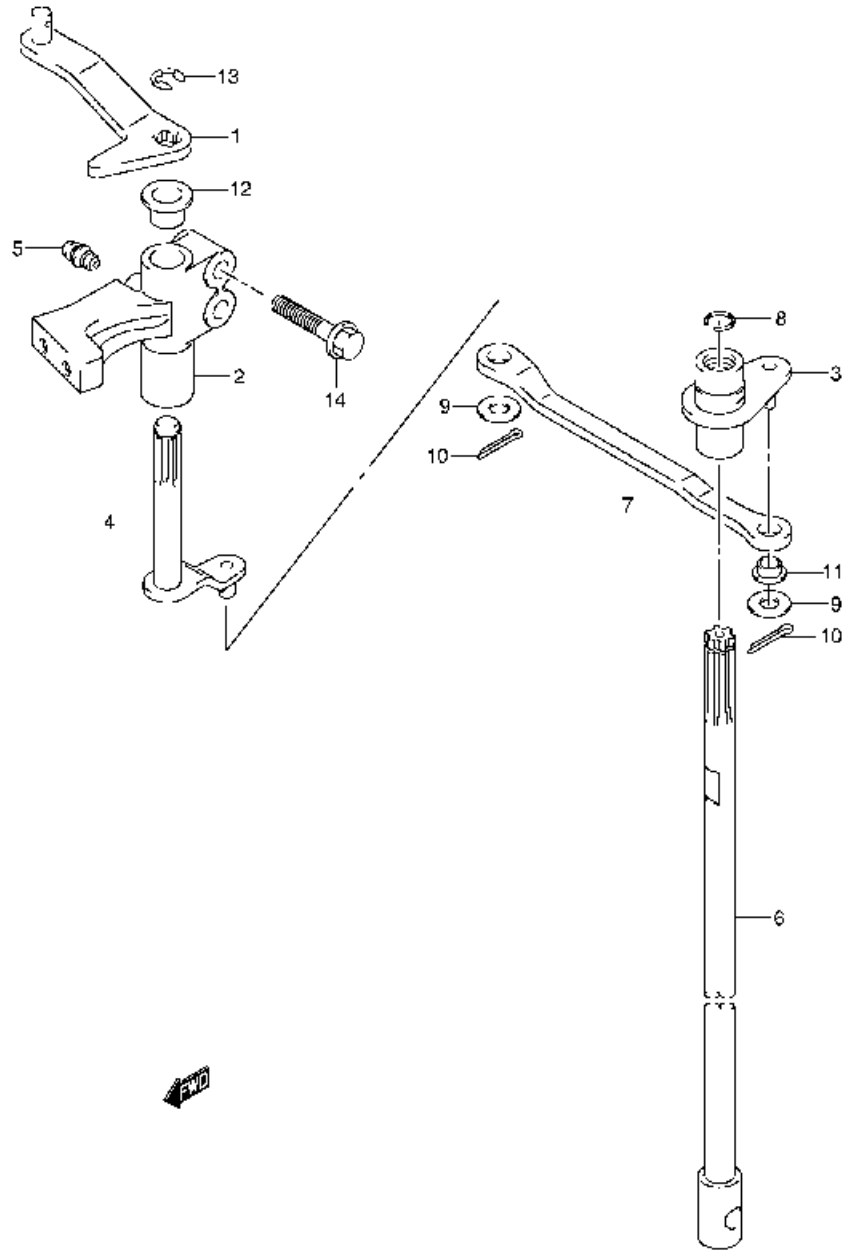
N° Réf.	N° Pièce	Désignation
1	21110-90J00	Lever, Clutch
1	21110-90J02	Lever, Clutch
2	21151-90J00	Holder, Clutch Lever
2	21151-90J01	Holder, Clutch Lever
3	21210-90J01	Shaft, Clutch
4	21221-90J00	Bush, Clutch Shaft Holder
5	21330-90J00	Arm, Clutch Shaft
6	21311-90J00	Holder, Clutch Shaft
7	22511-99J10	Nipple, Grease
8	23111-90J01	Rod, Clutch (I)
8	23111-90J11	Rod, Clutch (x)
9	23115-90J00	Link, Clutch Lever
10	23116-90J00	Guide, Clutch Rod
11	23117-90J00	Ring, Clutch Rod
12	09117-09071	Bolt (8x5)
13	09160-06094	Washer (6.5x15x1.5)
14	09204-01006	Pin, Clutch Lever Link
15	09306-06004	Bush, Clutch Lever Link
16	09306-10001	Bush, Clutch Lever
17	09306-16004	Bush, Clutch Shaft
18	09383-08004	E Ring
19	01550-06307	Bolt, Holder Clutch Link

FIG.25



DF90 115 E01 025
CLUTCH SHAFT

FIG.26



N° Réf.	N° Pièce	Désignation
1	21110-90J02	Lever, Clutch
2	21151-90J01	Holder, Clutch Lever
3	21210-90J10	Shaft, Clutch
4	21230-90J00	Arm, Clutch Shaft
5	22511-99010	Nipple, Grease
6	23111-90J01	Rod, Clutch (I)
6	23111-90J11	Rod, Clutch (A)
7	23115-90J10	Link, Clutch Lever
8	23117-90J00	Ring, Clutch Rod
9	09160-06094	Washer (6.5x15x1.5)
10	09204-01006	Pin, Clutch Lever Link
11	09306-06094	Bush, Clutch Lever Link
12	09306-10001	Bush, Clutch Lever
13	06383-08034	E-Ring
14	01550-06307	Bolt, Holder Clutch Link

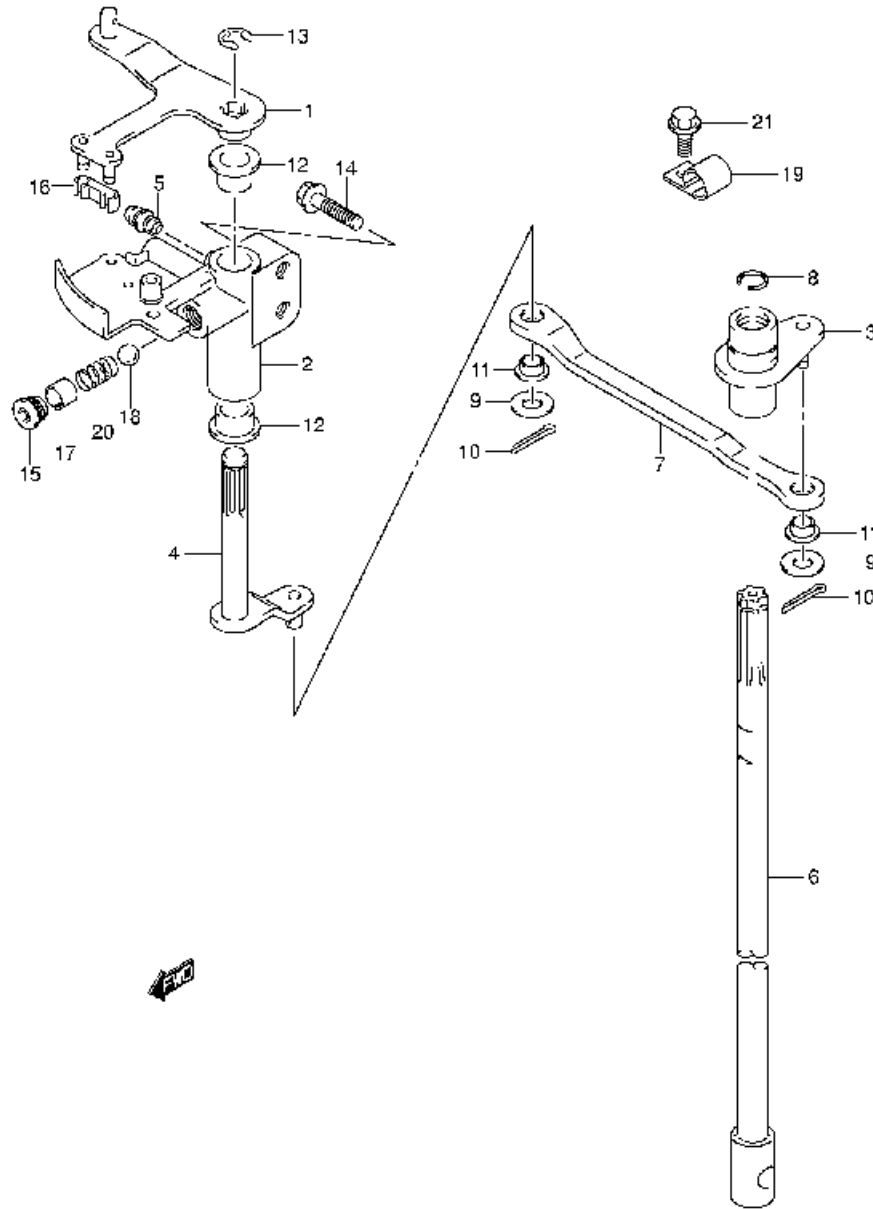


DF90 115 E01_026
CLUTCH SHAFT (1)

N° cliché: FIG27 Titre du cliché: CLUTCH SHAFT (*)

N° Réf.	N° Pièce	Désignation
1	21110-92J00	Lever, Clutch
2	21151-92J00	Holder, Clutch Lever
3	21210-92J00	Shaft, Clutch
4	21230-92J00	Arm, Clutch Shaft
5	22511-99010	Nipple, Grease
6	23111-90J02	Rod, Clutch (l)
6	23111-90J12	Rod, Clutch (x)
7	23115-92J00	Link, Clutch Lever
8	23117-90J00	Ring, Clutch Rod
9	09160-06094	Washer (6.5x15x1.5)
10	09204-01006	Pin, Clutch Lever Link
11	09306-06004	Bush, Clutch Lever Link
12	09306-10001	Bush, Clutch Lever Link
13	09383-09004	E Ring
14	01550-06307	Bolt, Holder Clutch Link
15	11119-95J00	Plug, Notch Spring
16	21131-93J00	Bush, Clutch Lever
17	06205-10006	Pin, Clutch Notch Spring
18	09260-10005	Bolt, Clutch Notch
19	09403-13408	Clamp, Hose
20	09440-07071	Spring, Clutch Notch
21	01550-06167	Bolt, Hose Clamp

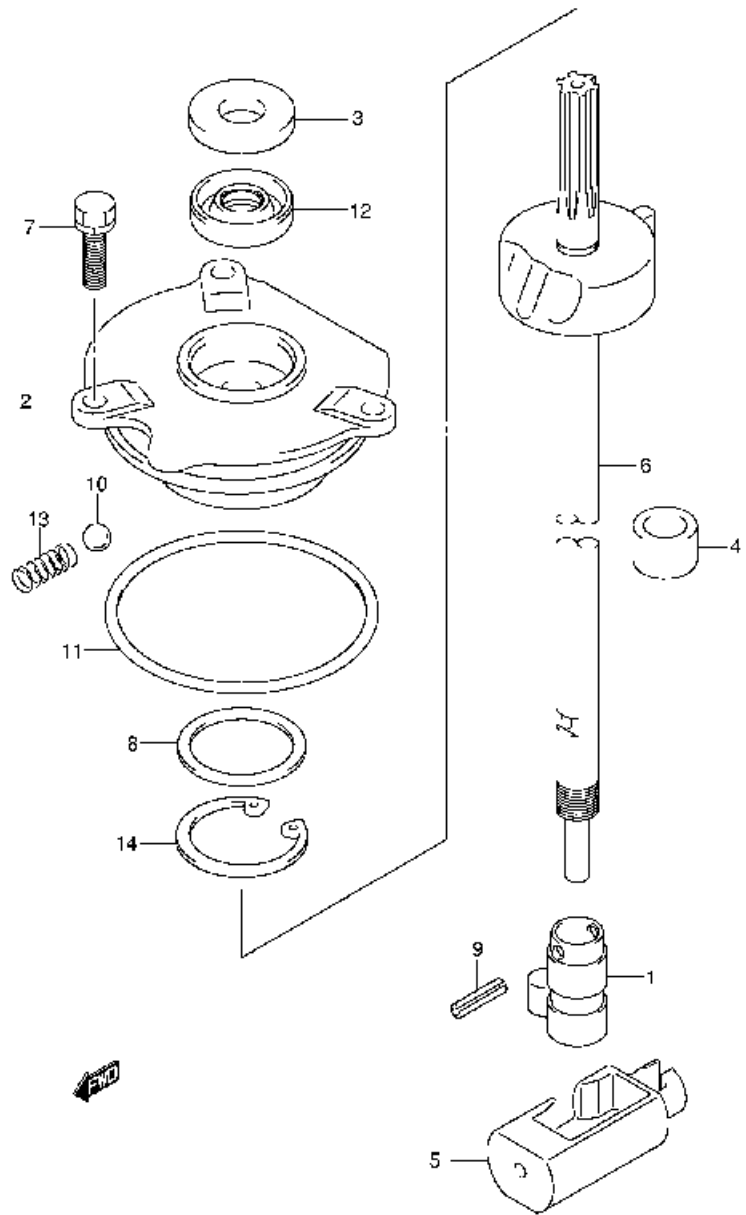
FIG.27



DF90 115 E01_027
CLUTCH SHAFT (2)

N° cliché: **FIG28** Titre du cliché: **SHIFT ROD (DF90T,DF115T)**

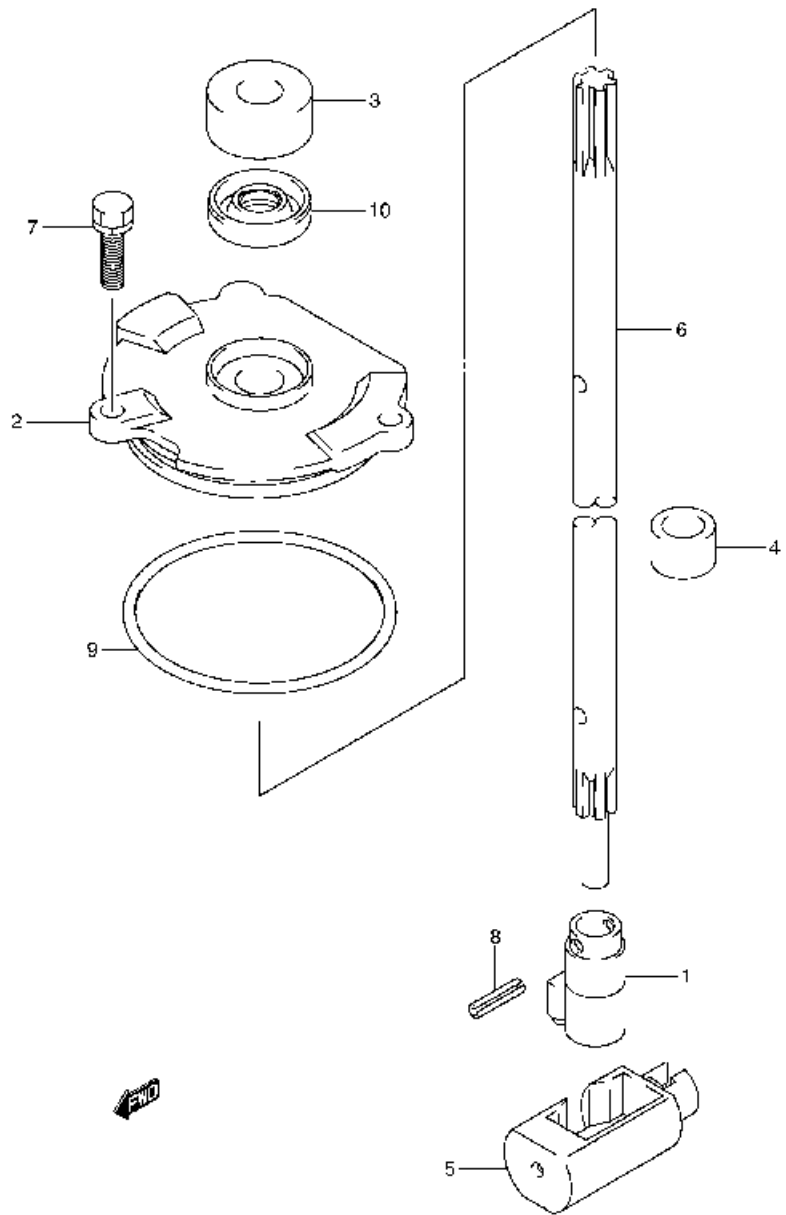
FIG.28



N° Réf.	N° Pièce	Désignation
1	25131-90J01	Yoke, Shifter
2	25141-90J03	Housing, Shift Rod Guide
3	25222-90J00	Cover, Oil Seal
4	25232-90J00	Magnet, Gear Case
5	25321-90J00	Slider, Shift Horizontal
6	25359-90J01	Rod, Shift Assist (I)
7	25359-90J11	Rod, Shift Assist (X)
8	08117-26031	Ball (øx20)
9	09160-30037	Washer (30x38x1.9)
10	09205-04014	Pin
11	09295-10005	Ball
12	09288-69001	O Ring (ø3.1,at.68.5)
13	09283-10011	Seal, Dust
14	09440-07033	Spring
15	08331-41386	Circlip

DF90 115 E01_028
SHIFT ROD (1)

FIG.29



N° cliché: **FIG29** Titre du cliché: **SHIFT ROD (DF90T:680686--DF115T:681518--)**

N° Réf.	N° Pièce	Désignation
1	25131-92J00	Yoke, Shifter
2	25141-92J00	Housing, Shift Rod Guide
3	25222-92J00	Cover, Oil Seal
4	25232-90J00	Magnet, Gear Case
5	25321-92J10	Slider, Shift Horizontal
6	25111-92J00	Rod Assy, Shift (I)
7	25111-92J10	Rod Assy, Shift (X)
8	25116-93J00	Bolt (6x20)
9	09205-04014	Pin
10	09280-69001	O Ring (ø3.1, Id.68.5)
10	09283-10011	Seal, Dust

DF90 115 E01_029
SHIFT ROD (2)

FIG.30

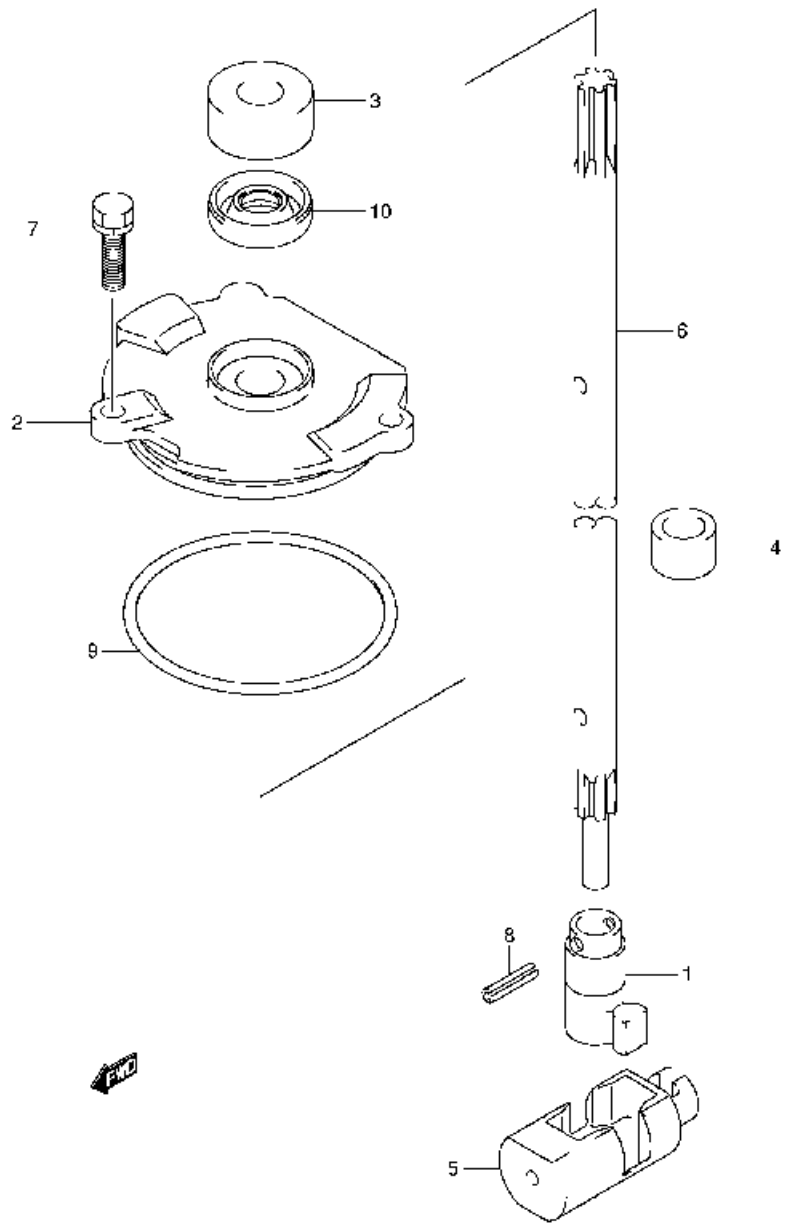
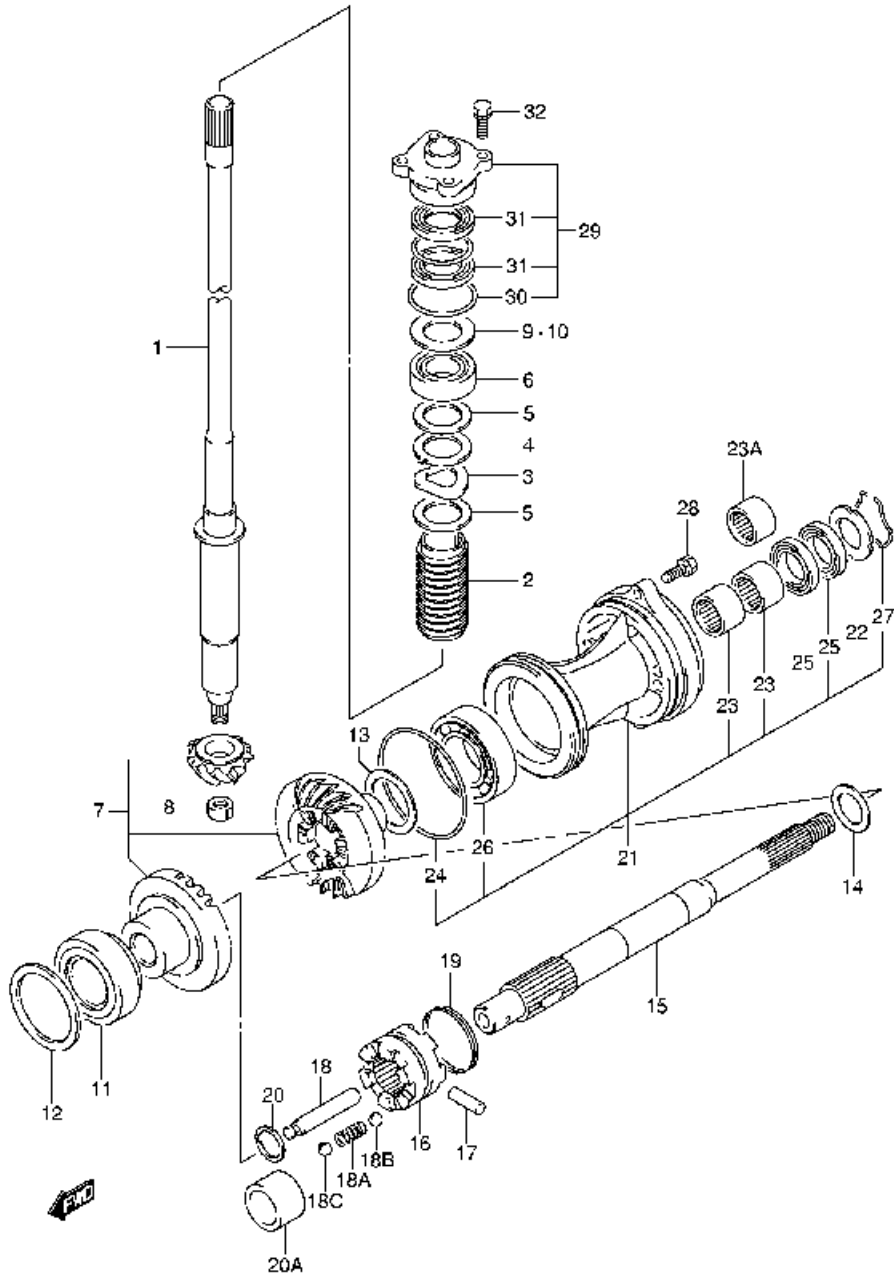


FIG30 SHIFT ROD (DF115Z)

N° Réf.	N° Pièce	Désignation
1	25131-92J00	Yoke, Shift
2	25141-92J00	Housing, Shift Rod Guide
3	25222-92J00	Cover, Sh Guide Hag Oil Seal
4	25232-93J00	Magnet, Gear Case
5	25321-92J20	Slider, Shift Horizontal
6	25111-92J00	Rod Assy, Shift (I)
7	25111-92J10	Rod Assy, Shift (s)
8	09205-34014	Pin
9	09280-69001	O Ring (d3.14x68.5)
10	09283-10011	Seal, Dust

DF90 115 E01 030
CLUTCH ROD (DF115Z)-C

FIG.31



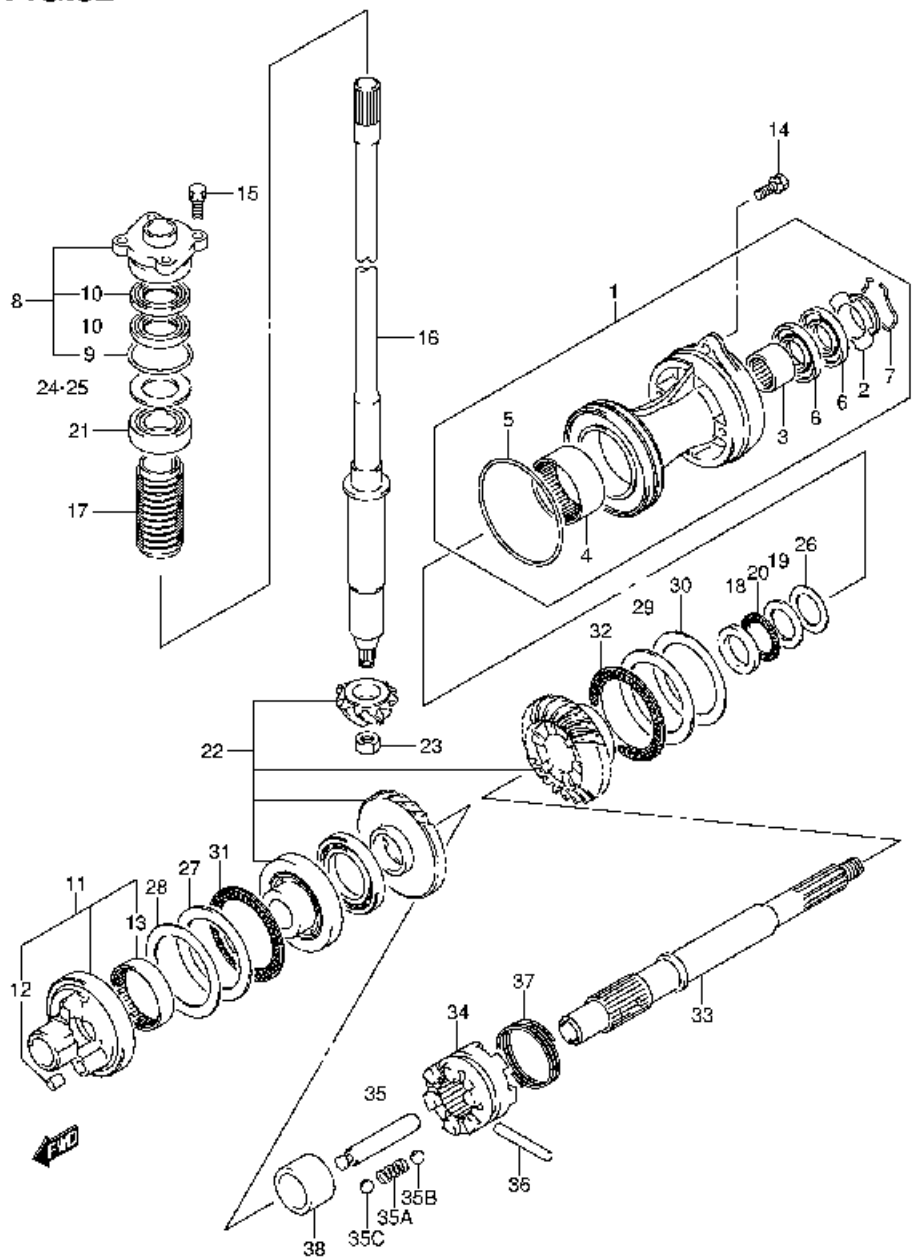
DF90 115 E01 031
TRANSMISSION (1)-C

FIG.31 TRANSMISSION (DF90T,DF115T)

N° Réf.	N° Pièce	Désignation
1	57110-90J20	Shaft Assy, Drive (I)
1	57110-92J20	Shaft Assy, Drive (I)
1	57110-92J40	Shaft Assy, Drive (I)
1	57110-90J30	Shaft Assy, Drive (K)
1	57110-92J30	Shaft Assy, Drive (K)
1	57110-92J50	Shaft Assy, Drive (K)
2	57133-90J01	Collar, Drive Shaft
3	09164-31001	Washer, Wave
4	09168-31001	Washer
5	09181-31001	Washer
6	09265-25040	Bearing
7	57300-90801	Pinion/gear Set
7	57300-90810	Pinion/gear Set
7	57300-90820	Pinion/gear Set
8	09140-14024	Nut
9	57500-87873	Shim Set, Drive Shaft
10	09181-40186	• Shim (t0.50)
10	09181-41002	• Shim (t0.55)
10	09181-41003	• Shim (t0.60)
10	09181-41004	• Shim (t0.65)
10	09181-41005	• Shim (t0.70)
10	09181-41006	• Shim (t0.75)
10	09181-40190	• Shim (t0.80)
10	09181-41008	• Shim (t0.85)
10	09181-41009	• Shim (t0.90)
10	09181-41010	• Shim (t0.95)
10	09181-40195	• Shim (t1.00)
10	09181-41012	• Shim (t1.05)
10	09181-41013	• Shim (t1.10)
10	09181-41014	• Shim (t1.15)
11	09265-50003	Bearing
12	09181-50020	Shim (t0.45)
12	09181-50021	Shim (t0.50)
12	09181-50022	Shim (t0.55)
12	09181-50023	Shim (t0.60)
12	09181-50024	Shim (t0.65)
12	09181-50025	Shim (t0.70)
12	09181-50026	Shim (t0.75)
12	09181-50027	Shim (t0.80)
12	09181-50028	Shim (t0.85)
12	09181-50029	Shim (t0.90)
13	09181-45003	Shim (t1.0)
13	09181-45004	Shim (t1.1)
13	09181-45005	Shim (t1.2)
13	09181-45006	Shim (t1.3)
13	09181-45007	Shim (t1.4)
13	09181-45008	Shim (t1.5)
13	09181-45009	Shim (t1.6)
14	09181-28015	Shim (t1.5)
14	09181-28016	Shim (t1.0)
14	09181-28017	Shim (t1.2)
14	09181-28018	Shim (t1.3)
14	09181-28019	Shim (t1.4)
14	09181-28020	Shim (t1.6)
15	57610-90J00	Shaft Assy, Propeller (spline 18)
15	57610-90J10	Shaft Assy, Propeller (spline 24)
15	57610-90J20	Shaft Assy, Propeller (spline 19)
16	57621-90J00	Shifter, Clutch Dog
16	57621-92J00	Shifter, Clutch Dog
16	57621-92J10	Shifter, Clutch Dog
17	09202-07002	Pin
18	57631-87E00	Rod, Push
18	57631-92E00	Rod, Push
18a	09440-09040	Spring, Detent
18b	06111-07004	Ball, Detent No.1
18c	06111-11004	Ball, Detent No.2
19	09440-50002	Spring
19	09440-50004	Spring
20	09181-25030	Shim (25x32x3.0)
20a	57610-90J00	Spacer
21	56120-90J02-0EP	Housing, Prop Sht Big (black)
22	56123-90J00	• Washer, Oil Seal Protector
23	09263-28013	• Bearing
23a	09263-28033	• Bearing
24	09280-97001	• O Ring (d3.5,td95)
25	09282-29002	• Oil Seal
26	09262-45013	• Bearing
26	09113-62000	• Bearing
27	09387-52001	• Ring
28	09117-28047	Bolt (8x30)
29	56130-90J00	Housing
30	09280-46004	• O Ring (d3.5,td46.7)
31	09292-24004	• Oil Seal
32	09117-88057	Bolt (8x25)

FIG32 Târe du cliché
TRANSMISSION (DF115Z)

FIG.32



N° Réf.	N° Pièce	Désignation
1	56120-92J12-0EP	Housing, Prop Sh Brg (black)
2	56120-92J00	• Washer, Oil Seal Protector
3	09263-30051	• Bearing (30x37x28)
4	09263-50001	• Bearing (50x62x25)
5	09280-97001	• O Ring (d3.5 l4.95)
6	09282-30007	• Seal Oil
7	09387-62001	• Ring, Oil Seal
8	56130-90A00	Housing, Drive Shaft Brg
9	09280-46004	• O Ring (d3.5 l4.45.7)
10	09282-24004	• Seal, Oil
11	56140-92J30	Housing, Rev Gear Brg
12	09206-09112	• Pin, Knock
13	09263-45004	• Bearing (45x52x16)
14	06117-08047	Bolt (8x30)
15	09117-08057	Bolt (8x25)
16	57110-92J40	Shaft, Drive (I)
16	57110-92J50	Shaft, Drive (V)
17	57133-90A01	Collar, Drive Shaft
18	09160-30055	Washer (30x47x6.0)
19	09160-30056	Washer (30x47x3.0)
20	09269-30014	Bearing (30x47x2.0)
21	09265-25040	Bearing
22	57300-92850	Prion/gear Set
23	09140-14224	Nut
24	57500-87873	Shim Set, Drive Shaft
25	09181-40186	• Shim (41x52x0.50)
25	09181-41002	• Shim (41x52x0.55)
25	09181-41003	• Shim (41x52x0.60)
25	09181-41004	• Shim (41x52x0.65)
25	09181-41005	• Shim (41x52x0.70)
25	09181-41006	• Shim (41x52x0.75)
25	09181-40190	• Shim (41x52x0.80)
25	09181-41008	• Shim (41x52x0.85)
25	09181-41009	• Shim (41x52x0.90)
25	09181-41010	• Shim (41x52x0.95)
25	09181-40195	• Shim (41x52x1.00)
25	09181-41012	• Shim (41x52x1.05)
25	09181-41013	• Shim (41x52x1.10)
25	09181-41014	• Shim (41x52x1.15)
26	09160-35015	Washer (35x46x0.8)
26	09160-35014	Washer (35x46x0.7)
26	09160-35013	Washer (35x46x0.6)
26	09160-35008	Washer (35x46x0.5)
26	09160-35008	Washer (35x46x0.85)
26	09160-35002	Washer (35x46x1.0)
26	09160-35009	Washer (35x46x1.05)
26	09160-35003	Washer (35x46x1.1)
26	09160-35010	Washer (35x46x1.15)
27	09160-60011	Washer (60x85x3.0)
28	09160-60008	Washer (60x85x0.8)
28	09160-60009	Washer (60x85x0.9)
28	09160-60003	Washer (60x85x1.0)
28	09160-60004	Washer (60x85x1.1)
28	09160-60005	Washer (60x85x1.2)
28	09160-60006	Washer (60x85x1.3)
28	09160-60007	Washer (60x85x1.4)
29	09160-70005	Washer (70x95x2.0)
30	09181-70006	Shim (70x95x0.8)
30	09181-70009	Shim (70x95x0.85)
30	09181-70001	Shim (70x95x0.7)
30	09181-70010	Shim (70x95x0.75)
30	09181-70002	Shim (70x95x0.8)
30	09181-70011	Shim (70x95x0.85)
30	09181-70003	Shim (70x95x0.9)
30	09181-70012	Shim (70x95x0.95)
30	09181-70004	Shim (70x95x1.0)
31	09269-60001	Bearing (60x85x3.0)
32	09269-70001	Bearing (70x95x4.0)
33	57610-92J31	Shaft, Propeller
34	57621-92J10	Shifter, Clutch Dog
35	57631-92J00	Pin, Connector
35a	09440-09040	Spring, Detent
35b	06111-07004	Ball, Detent No.1
35c	06111-11004	Ball, Detent No.2
36	09202-07002	Pin
37	09440-49004	Spring
38	57616-92J00	Spacer, Clutch Dog Fwd

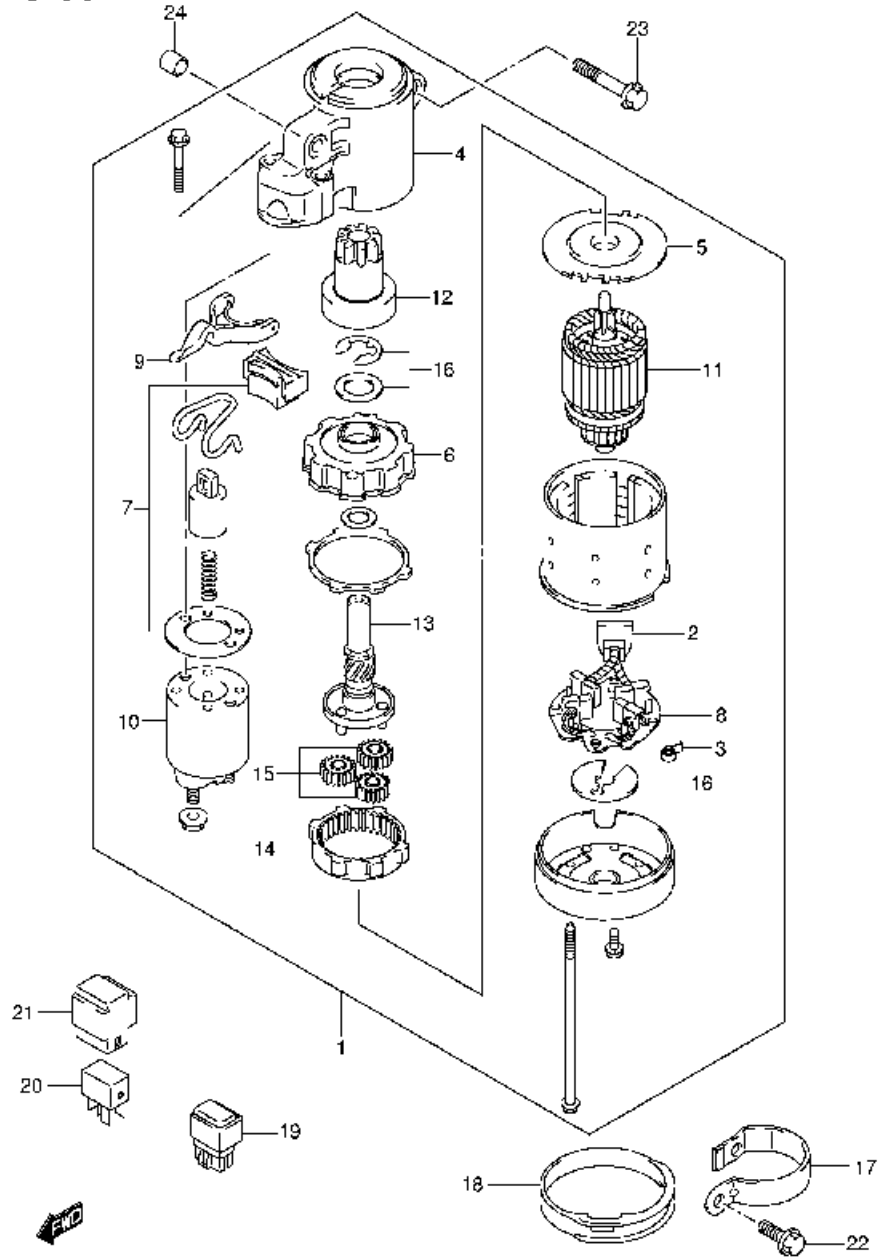
DF90 115 E01 032
TRANSMISSION (DF115Z)-C

N° cliché
FIG33

Titre du cliché
STARTING MOTOR

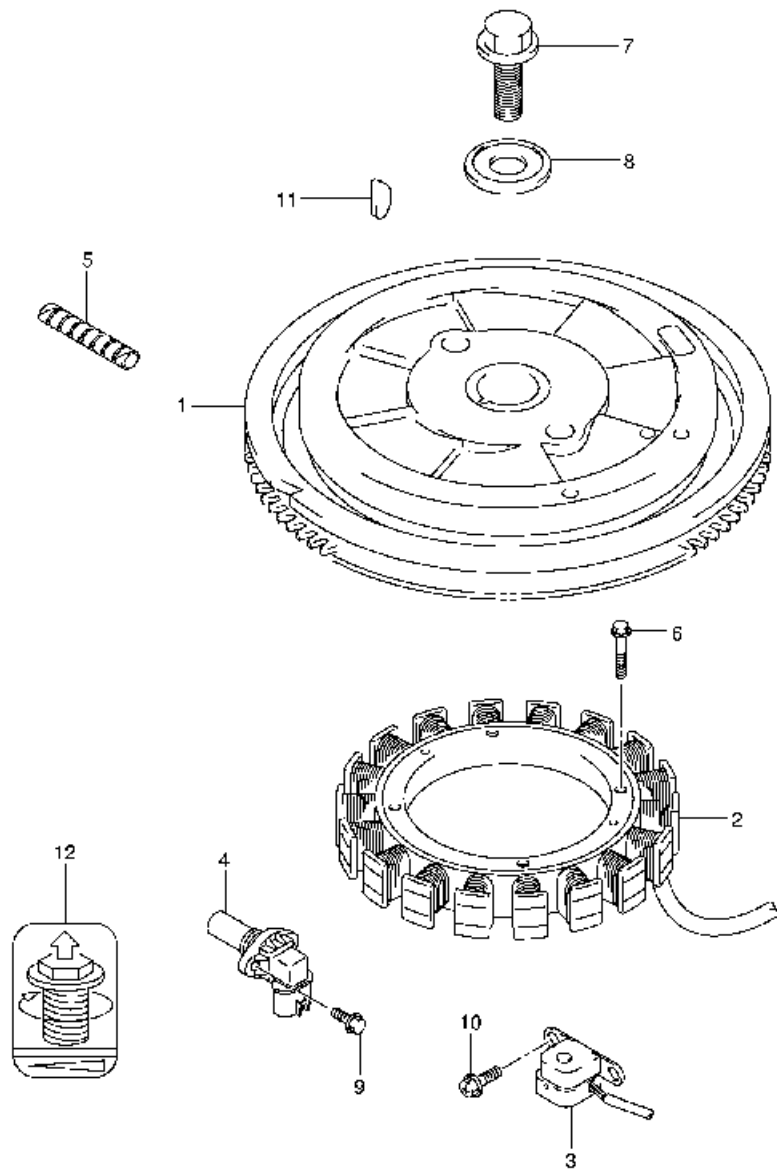
N° Réf.	N° Pièce	Désignation
1	31100-90J00	Starting Motor
2	31131-90J00	• Bush Set, Plus
3	31135-90J00	• Spring
4	31151-90J00	• Case, Gear
5	31152-90J00	• Plate, Center
6	31153-90J00	• Bracket, Planet Gear
7	31171-90J00	• Cover Kit, Dust
8	31173-90J00	• Holder, Brush
9	31191-90J00	• Lever, Shift
10	31220-90J00	• Switch, Magnet
11	31310-90J00	• Armature
12	31320-90J00	• Pinion
13	31341-90J00	• Shaft, Pinion
14	31343-90J00	• Internat Gear
15	31344-90J00	• Gear, Planetary
16	31360-90J00	• Washer Set
17	31912-90J00	Band, Starting Motor
18	31918-90J00	Damper, Lower
18	31918-90J10	Damper, Lower
19	38910-92E00	Relay, Starting Motor
20	38860-78F01	Relay, Starting Motor
21	38915-90J00	Holder, Relay
22	01550-08207	Bolt
23	01550-10507	Bolt
24	04211-13149	Pin

FIG.33



DF90 115 E01 033
STARTING MOTOR-C

FIG.34



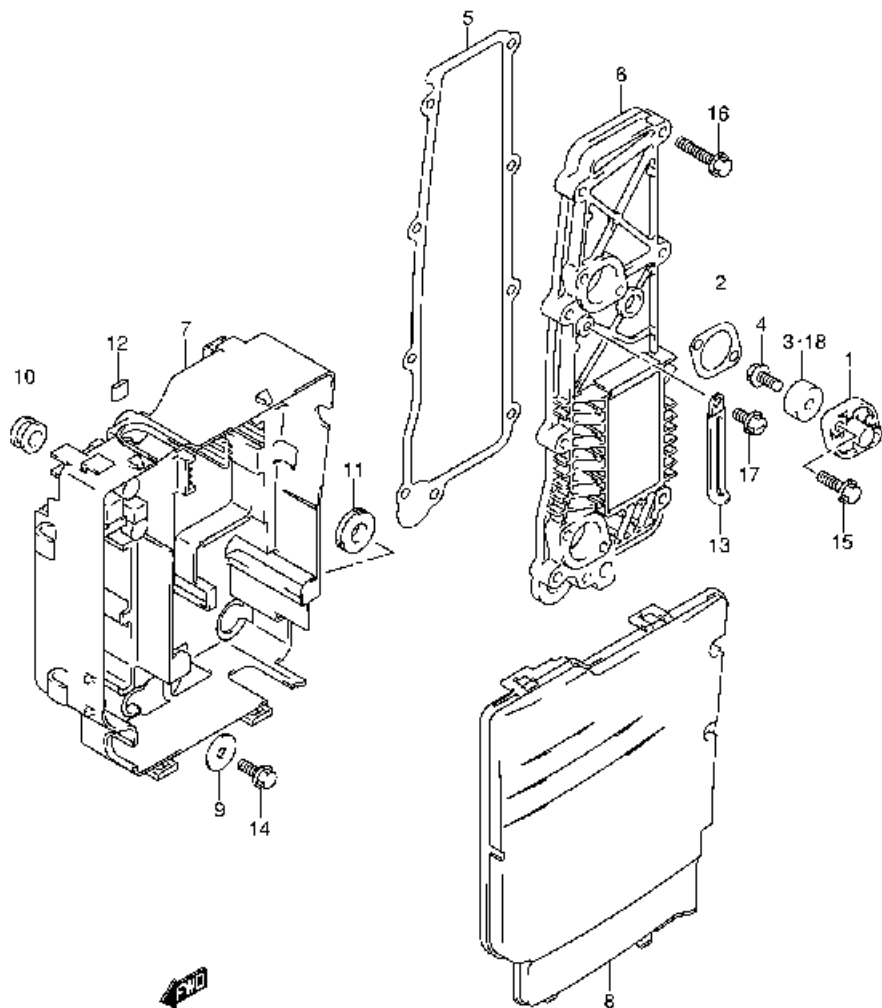
N° d'origine	N° de pièce	Désignation
1	32102-90J00	Flywheel
1	32102-92J00	Flywheel
1	32102-92J10	Flywheel
2	32120-90J00	Coil, Battery Charging
2	32120-90J10	Coil, Battery Charging
2	32120-90J20	Coil, Battery Charging
3	32160-87J00	Coil, Ignition Timing
3	32160-87J10	Coil, Ignition Timing
4	33220-76G02	Sensor, Cam Position
5	33833-91J00	Tube
6	09103-96G31	Bolt (6x35)
7	09103-16G02	Bolt (16x45)
7	09103-16G03	Bolt (16x50)
8	09160-16G47	Washer (16.5x48.5x4.5)
8	09160-16G48	Washer (16.5x60x7.0)
9	01550-05167	Bolt
10	02162-05167	Screw
11	06341-31U59	Key, Woodruff
12	32118-90J00	Label, Mag Bolt

DF90 115 E01 034
MAGNETO-C

FIG.35

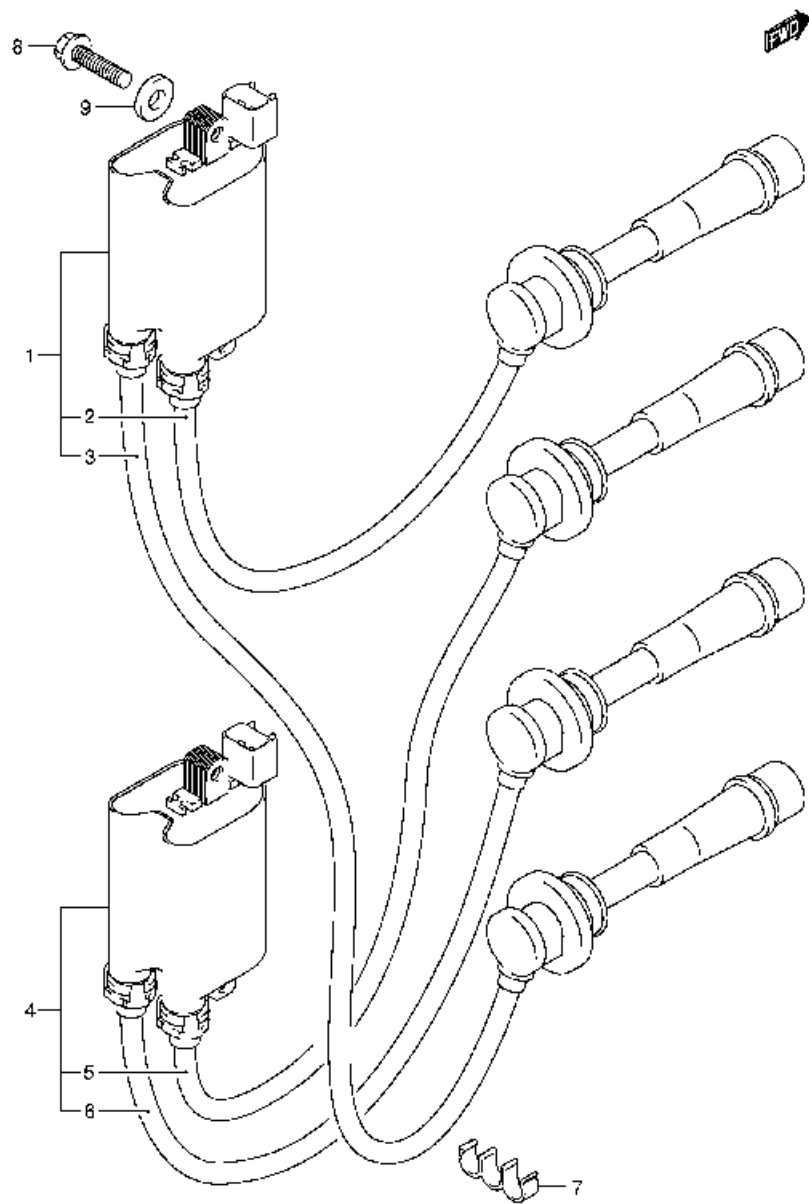
FIG35 RECTIFIER

N° Réf.	N° Pièce	Désignation
1	11261-87E10-0EP	Cover, Protection Anode (black)
1	11261-87E10	Cover, Protection Anode
2	11265-87E10	Gasket, Protection Cover
3	55321-87J00	Anode, Protection
4	09128-06021	Bolt (6x14)
4	09103-06281	Bolt (6x14)
5	14151-90J00	Gasket, Rectifier
6	32800-90J00	Rectifier
6	32800-90J10	Rectifier
6	32800-90J20	Rectifier
6	32800-90J30	Rectifier
7	32899-90J01	Holder, Electric Parts
8	32891-90J00	Cover, Electric Parts Holder
9	08166-06054	Washer (6.5x22x1.6)
10	09320-10008	Cushion
11	09320-12011	Cushion
12	09320-01007	Cushion
13	29404-93J10	Clamp
14	01550-08167	Bolt
15	01550-06307	Bolt
16	01550-06307	Bolt
17	02163-06127	Bolt
18	55321-87J10	Anode (magnesium)



DF90 115 E01 035
RECTIFIER-C

FIG.36

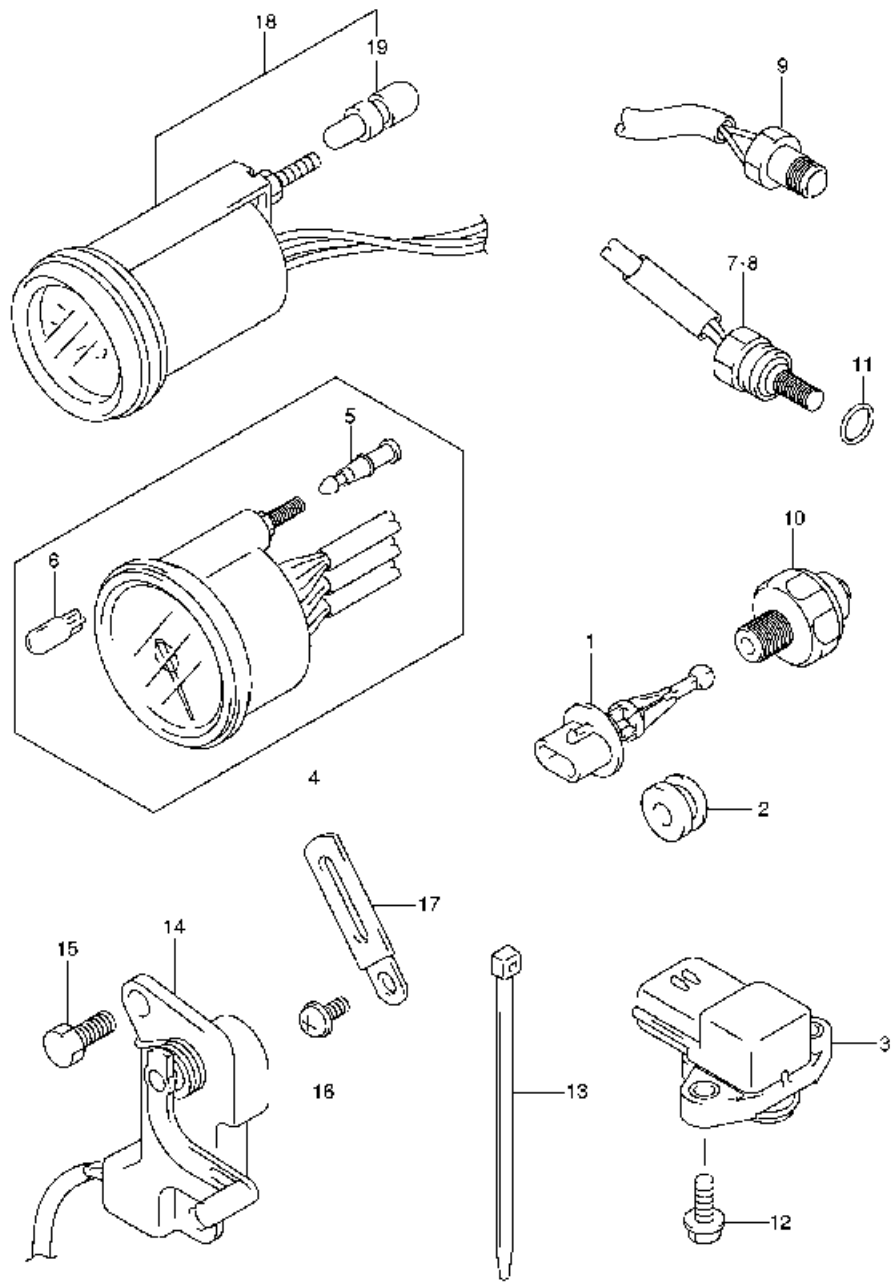


N° cliché: FIG36
Titre du cliché: IGNITION COIL

N° Réf.	N° Pièce	Désignation
1	33410-90J00	Coil Assy, Ignition
2	33710-90J00	• Cord, High Tension
3	33740-90J00	• Cord, High Tension
4	33420-90J00	Coil Assy, Ignition
5	33720-90J00	• Cord, High Tension
6	33730-90J00	• Cord, High Tension
7	09498-00035	Clamp
8	01550-06207	Bolt
9	08322-01087	Washer

DF90 115 E01 036
IGNITION COIL-C

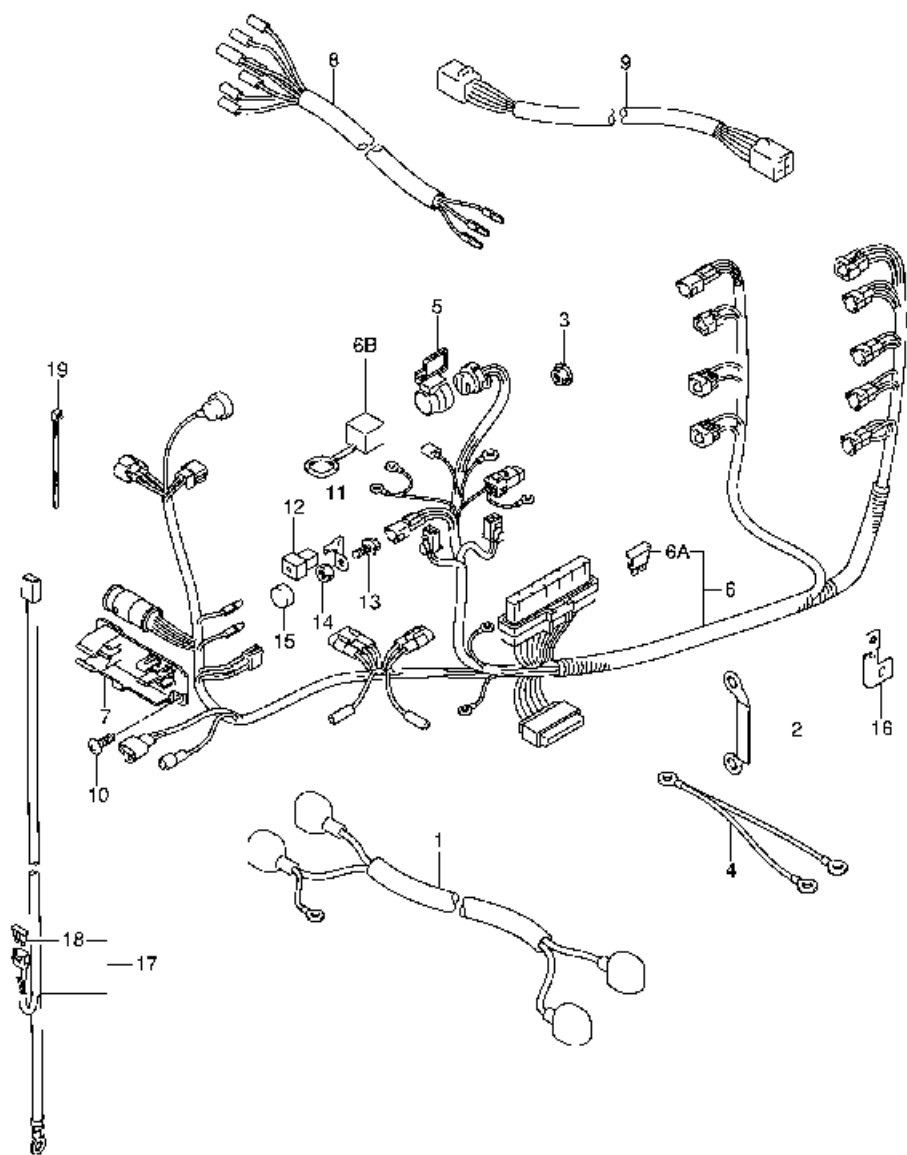
FIG.37



DF90 115 E01 037
SENSOR-C

N° Réf.	N° Pièce	Désignation
1	13650-52G00	Sensor, Inlet Air Temp
2	13650-87J00	Grommet, Air Temp Sensor
3	18590-72F21	Sensor, Pressure
3	18590-68H00	Sensor, Pressure
4	34200-99E01	Tachometer
4	34200-93J00	Tachometer Assy
4	34200-93J11	Tachometer Assy
5	36615-96300	- Terminal, Resin
6	09471-12179	- Bulb
6	09471-12077	- Bulb
7	34830-87J10	Sensor, Exhaust Temp
8	34830-87J10	Sensor, Temp
9	34830-87J20	Sensor Assy, Exhaust Temp
10	37620-99E01	Switch, Oil Pressure
11	09290-99905	O Ring
12	02162-05207	Screw
13	09407-14407	Clamp
13	09407-14403	Clamp
14	34801-99E03	Sender Assy, Trim
15	09100-96113	Ball (6x16)
16	09125-96063	Screw (6x10)
17	29404-93J10	Clamp
18	34800-90J02	Meter, Trim
18	34800-93J00	Meter Assy, Trim
18	34800-93J11	Meter Assy, Trim
19	09471-12180	- Bulb
19	09471-12103	- Bulb

FIG.38



N° Réf.	N° Pièce	Désignation
1	33810-90J00	Cable, Starter Motor
2	33831-90J00	Plate, P/R Relay
3	08316-10087	Nut
4	33833-90J00	Cable, Trim Relay Ground
5	33634-99E00	Cap, Service Connector
6	36610-90J00	Harness, Wiring
6	36610-90J00	Harness, Wiring
6	36610-90J30	Harness, Wiring
6	36610-90J50	Harness, Wiring
6	36610-90J80	Harness, Wiring
6A	09481-30501	- Fuse (30a)
6B	33634-99J00	- Cap, Service Connector
7	36616-90J00	Holder, Remoon Connector
7	36616-90J10	Holder, Remoon Connector
8	36630-92E00	Wire, Instrument
9	36682-92E00	Wire, Monitor Gauge Ext
9	36682-90J00	Wire, Trim Meter
10	02142-06167	Screw
11	36865-90J00	Terminal, Main Fuse
12	09481-60001	Fuse, Slow Blow
13	01570-06107	Bolt
14	03310-00087	Nut
15	09251-09002	Cap
16	36617-90J00	Bracket, Joint Connector
17	36625-90J00	Lead, Battery
17	36625-93J10	Lead, Battery
18	09481-15501	- Fuse (15a)
19	09407-14407	Clamp, Battery Lead

DF90 115 E01 038
HARNESS-C

FIG.39

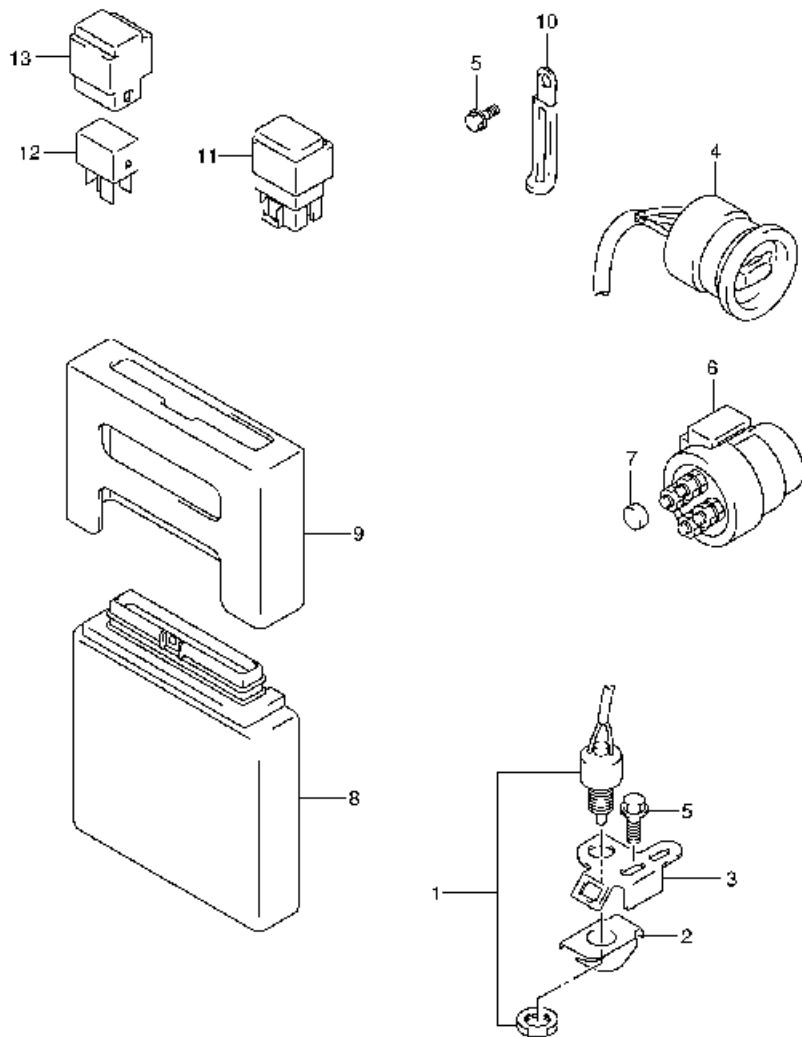


FIG39 PTT SWITCH & ENGINE CONTROL UNIT (MODEL:01-03)

N° Réf.	N° Pièce	Désignation
1	37721-99E00	Switch, Neutral
1	37721-99E10	Switch, Neutral
2	37725-99E00	Actuator, Neutral Sw
3	37726-90J00	Bracket, Neutral Sw
4	37850-99E00	Switch, Ptt
5	01550-09187	Bolt
6	38410-94552	Relay, Ptt
7	09251-09002	Cap
8	33920-90J00	Unit, Engine Control
8	33920-90J20	Unit, Engine Control
8	33920-90J10	Unit, Engine Control
8	33920-90J30	Unit, Engine Control
8	33920-90J50	Unit, Engine Control
8	33925-87J00	Cushion, Engine Control Unit
10	09404-06432	Clamp
11	38910-92E00	Relay, Engine Control Unit
12	38860-76F01	Relay, Engine Control Unit
13	38915-90J00	Holder, Relay

DF90 115 E01 039
PTT SWITCH/ENGINE CONTROL UNIT (1)-C

FIG.40

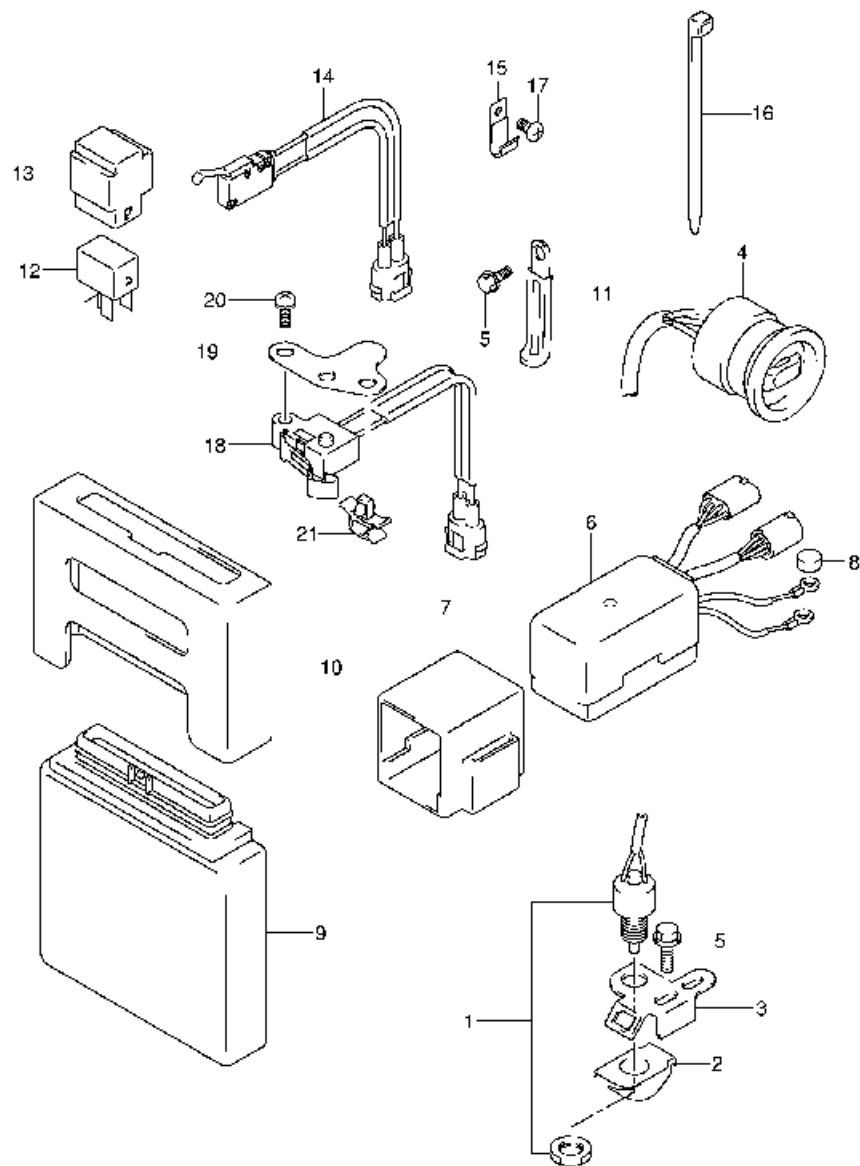


FIG40 PTT SWITCH & ENGINE CONTROL UNIT (MODEL:04-08)

N° Réf.	N° Pièce	Désignation
1	3721-99E10	Switch, Neutral
2	3725-95000	Actuator, Neutral Sw
3	3726-90300	Bracket, Neutral Sw
4	3755-99E02	Switch, Pt
5	01550-06167	Bolt
6	38410-93300	Relay, Pt
7	38415-93300	Holder, Pt Relay
8	09251-09002	Clip
9	33920-90J21	Unit, Engine Control
9	33920-90J31	Unit, Engine Control
9	33920-90J51	Unit, Engine Control
9	33920-90J82	Unit, Engine Control
9	33920-90J83	Unit, Engine Control
9	33920-90JA2	Unit, Engine Control
9	33920-90JA3	Unit, Engine Control
9	33920-90J82	Unit, Engine Control
9	33920-90J83	Unit, Engine Control
10	33925-97300	Cushion, Engine Control Unit
11	29404-93310	Clamp
12	38860-78F01	Relay, Engine Control Unit
13	38915-90300	Holder, Relay
14	37222-93300	Switch Assy, Tilt Limit
14	37222-93310	Switch Assy, Tilt Limit
15	09403-99316	Clamp, Tilt Limit Lead
16	09407-14407	Clamp, Tilt Limit Lead
16	09407-14407	Clamp, Tilt Limit Lead
17	09103-06152	Bolt (6x12)
18	37212-93300	Switch Assy, Neutral
18	3725-90310	Bracket, Neutral Switch
20	09137-04004	Screw, Neutral Switch
21	09403-06316	Clamp, Neutral Sw Lead Wire

DF90 115 E01_040
PTT SWITCH/ENGINE CONTROL UNIT (2)-C

FIG.41

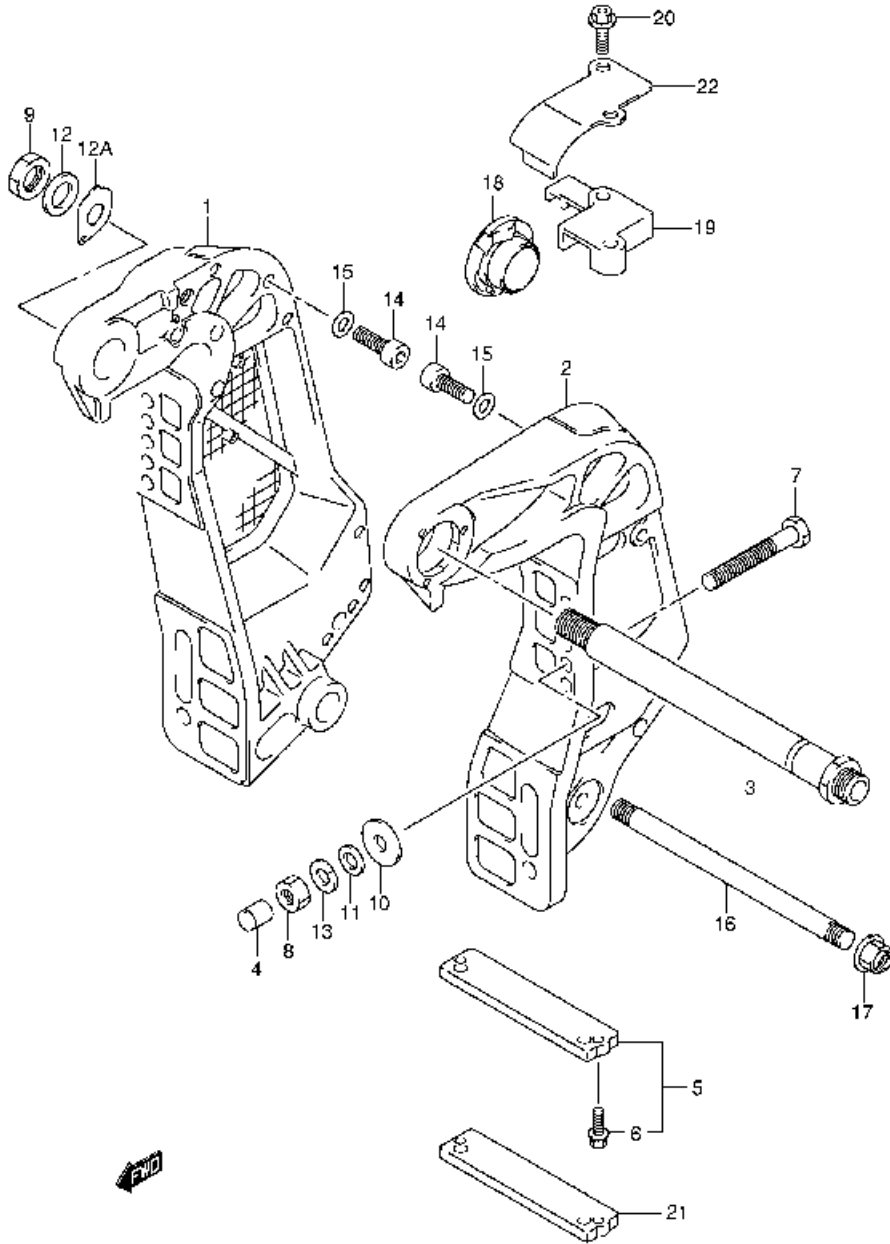


FIG41 CLAMP BRACKET

N° Réf.	N° Pièce	Désignation
1	41111-90J11-0EP	Bracket, Clamp Sbd (black)
1	41111-90J12-0EP	Bracket, Clamp Sbd (black)
2	41121-90J13-0EP	Bracket, Clamp Part (black)
3	41130-95541	Shaft, Clamp Bkt
3	41130-95542	Shaft, Clamp Bkt
3	41130-95543	Shaft, Clamp Bkt
3	41130-92200	Shaft, Clamp Bkt
4	41153-94600	Cap, Transom Bkt
5	55320-94900	Zinc Protection
6	09116-06121	Bolt (6x25)
7	09100-12045	Bolt (12x115,pitch:1.75)
7	09100-12091	Bolt (12x115,pitch:1.25)
7	09100-12090	Bolt (12x150,pitch:1.25)
7	09100-12090	Bolt (12x150,pitch:1.25)
7	09100-12091	Bolt (12x115,pitch:1.25)
8	09140-12028	Nut (m12,pitch:1.75)
8	09159-12014	Nut (m12,pitch:1.25)
9	09160-22036	Nut
10	09160-12044	Washer (12.5x35x3.2)
11	09160-12066	Washer (12.5x22x2.5)
11	09160-12110	Washer (12.5x22x3.0)
12	09160-22033	Washer (22.5x38x1.0)
12a	41130-92200	Washer Shaft
13	09160-12005	Washer, Lock (12.2x21.5x3.0)
14	09106-10065	Bolt (10x20)
15	23160-93300	Washer (10.5x19x2.0)
16	45421-90J00	Pin, Til Lock
17	09159-14020	Nut
18	45140-93300	Cam Assv, Til Limit Sw
19	45144-93300	Holder, Til Limit Sw
20	09103-96993	Bolt (6x20)
20	09103-06278	Bolt (6x20)
21	55321-94910	Anode (magnesium)
22	45145-93300	Cover, Til Limit Switch

DF90 115 E01 041
CLAMP BRACKET-C

FIG.42

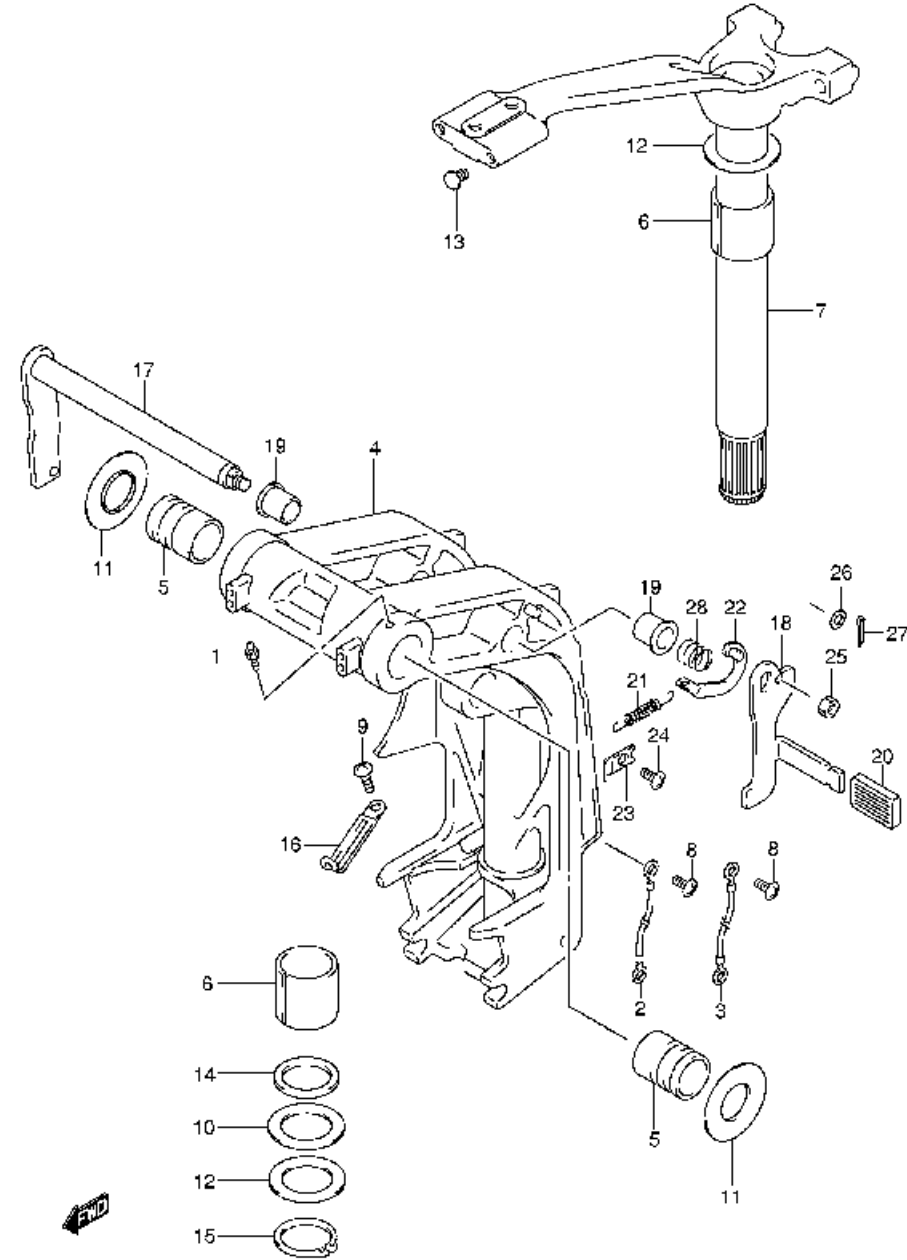


FIG42 SWIVEL BRACKET

N° Réf.	N° Pièce	Désignation
1	22511-99010	Nipple, Grease
1	22511-99010	Nipple, Grease
1	22511-99010	Nipple, Grease
2	36894-95201	Lead (Clamp To Swivel)
3	36894-87D00	Lead (Swivel To Housing)
4	43111-99E31-0EP	Bracket, Swivel (black)
4	43111-99E40-0EP	Bracket, Swivel (black)
4	43111-90J20-0EP	Bracket, Swivel (black)
4	43111-90J21-0EP	Bracket, Swivel (black)
4	43111-90J02-0EP	Bracket, Swivel (black)
4	43111-90J10-0EP	Bracket, Swivel (black)
4	43111-90J30-0EP	Bracket, Swivel (black)
5	43211-87D00	Bush, Clamp Shaft Swivel
5	43211-93A00	Bush, Steering
6	43711-97E00	Bush, Steering
7	43750-90J00-0EP	Bracket, Steering (black)
7	43750-90J21-0EP	Bracket, Steering (black)
7	43750-90J11-0EP	Bracket, Steering (black)
7	43750-90J31-0EP	Bracket, Steering (black)
8	23125-93J10	Screw (8x10)
9	09125-06083	Washer (39.5x64x1.0)
10	09169-39001	Washer
11	09169-28903	Washer
12	09181-39001	Shim (39.5x64x0.3)
13	09250-10001	Plug
14	09282-39001	Seal, Oil
15	09390-38003	Clrip
16	29404-93J10	Clamp
17	41220-95E12	Lever, Tilt Lock
18	41221-95E40	Lever, Tilt Lock Port
19	41224-95E01	Bush, Tilt Stopper Rod
20	41225-94A00	Rubber, Tilt Lock Lever
21	41228-90J00	Spring, Tilt Lock Lever
22	41230-95E00	Link, Tilt Lock Lever
23	41233-95E10	Bracket, Tilt Lock Spring
24	09125-06083	Screw (8x10)
25	09140-10032	Nut
26	09160-06082	Washer (6.5x13x1.0)
27	09204-01006	Pin, Cotter
28	09440-19028	Spring

DF90 115 E01 042
SWIVEL BRACKET-C

FIG.43

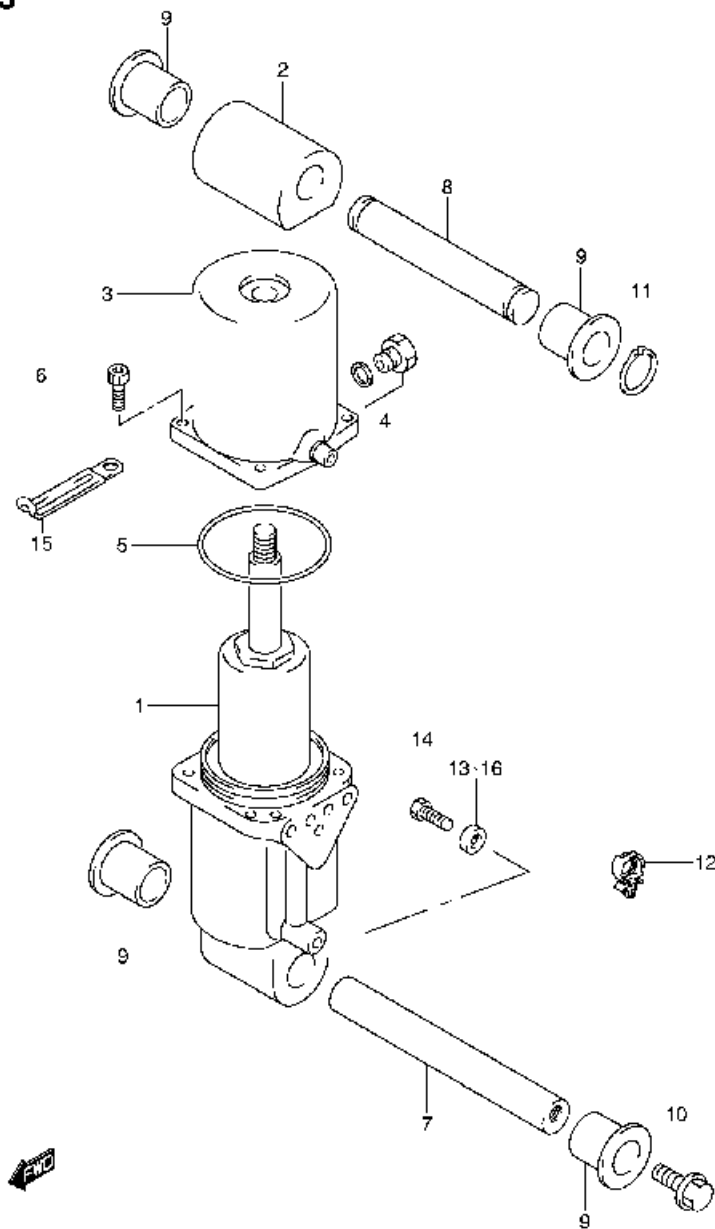


FIG43 TRIM CYLINDER

N° Réf.	N° Pièce	Designation
1	48400-90J00	Manifold Assy
2	48611-90J00	Joint, Metal
3	48571-90J01	Tank
3	48571-90J20	Tank
4	48572-87J10	Plug
5	48525-90J00	O Ring
6	48862-87J10	Bolt
7	45121-90J00	Shaft, Trl Cyl Lower
8	48321-90J00	Shaft, Trl Cyl Upper
9	48326-95E00	Bush
10	09116-10131	Bolt (10x35)
11	09380-22015	Clip
12	09400-23008	Clip
13	55321-87J00	Anode, Protection
14	09128-06021	Bolt (6x14)
14	09103-06081	Bolt (6x14)
15	29404-93J10	Clamp
16	55321-87J10	Anode (magnesium)

DF90 115 E01 043
TRIM CYLINDER-C

FIG.44

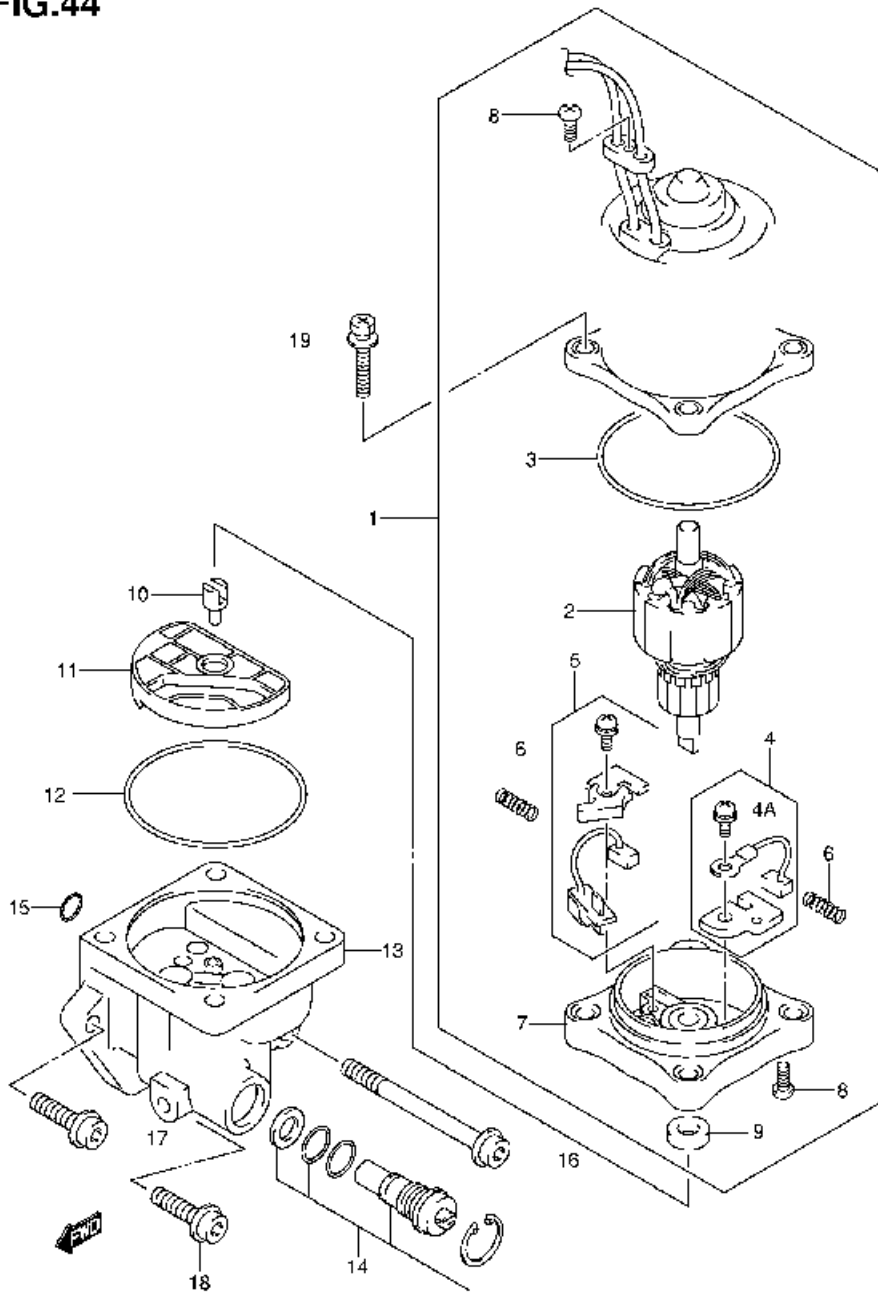


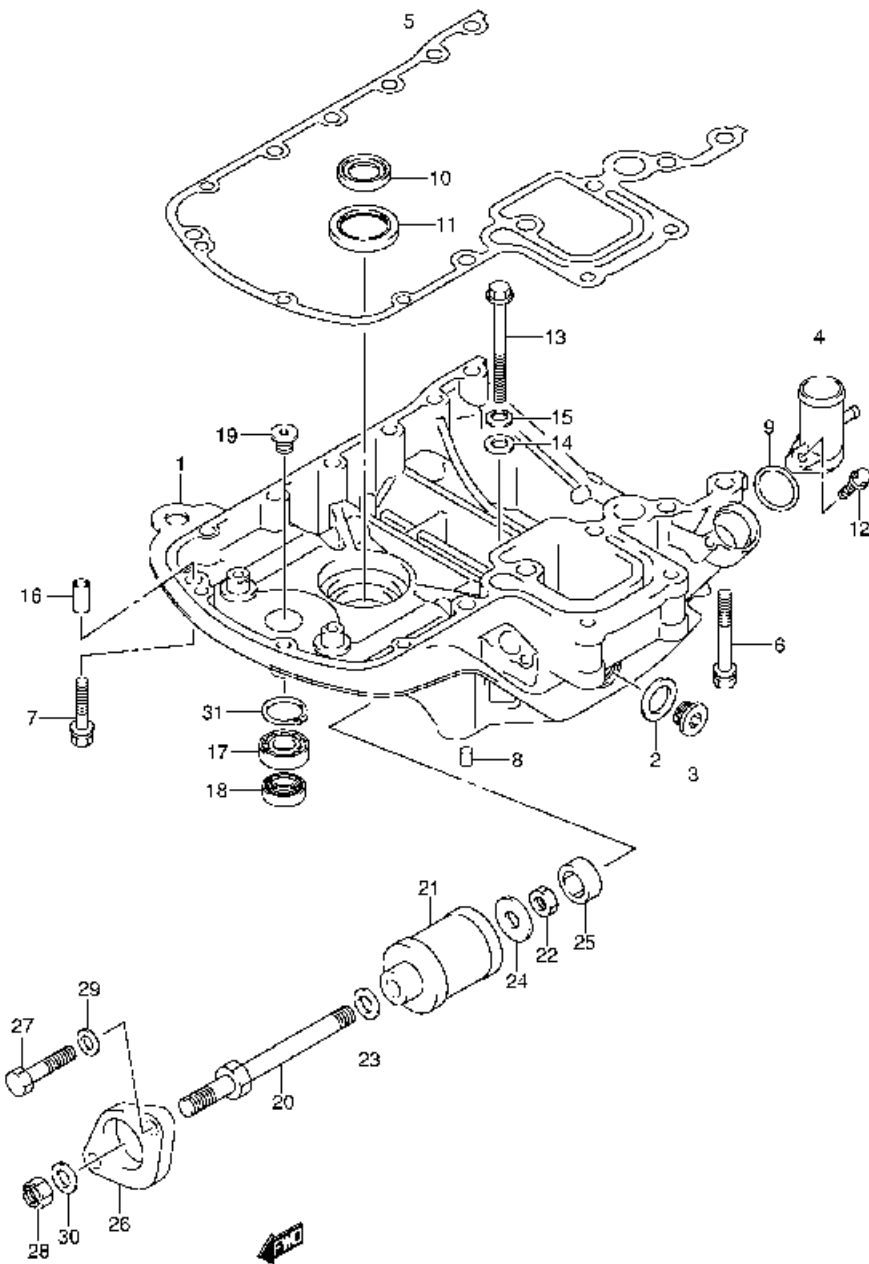
FIG44

PTT MOTOR

N° Réf.	N° Pièce	Désignation
1	38100-92201	Motor Assy, Pt
1	38100-92202	Motor Assy, Pt
1	38100-92210	Motor Assy, Pt
2	31311-94900	- Armature
3	31123-94900	- O Ring
4	31133-90200	- Brush Set
4a	31133-94900	- Brush
5	31136-90210	- Breaker Assy
6	31125-94900	- Spring
7	31173-94900	- Holder, Brush
8	31111-94900	- Screw
9	33799-97950	- Sleeve, Oil
10	48583-95E00	Joint, Drive
11	48582-95E00	Filter
12	48585-95E00	O Ring
13	48502-90210	Pump Assy
14	48864-93300	Valve, Manual
15	48588-90200	O Ring Set
16	48862-90200	Bolt
17	48862-90210	Bolt
18	48862-90220	Bolt
19	31281-92200	Bolt

DF90 115 E01 044
PTT MOTOR-C

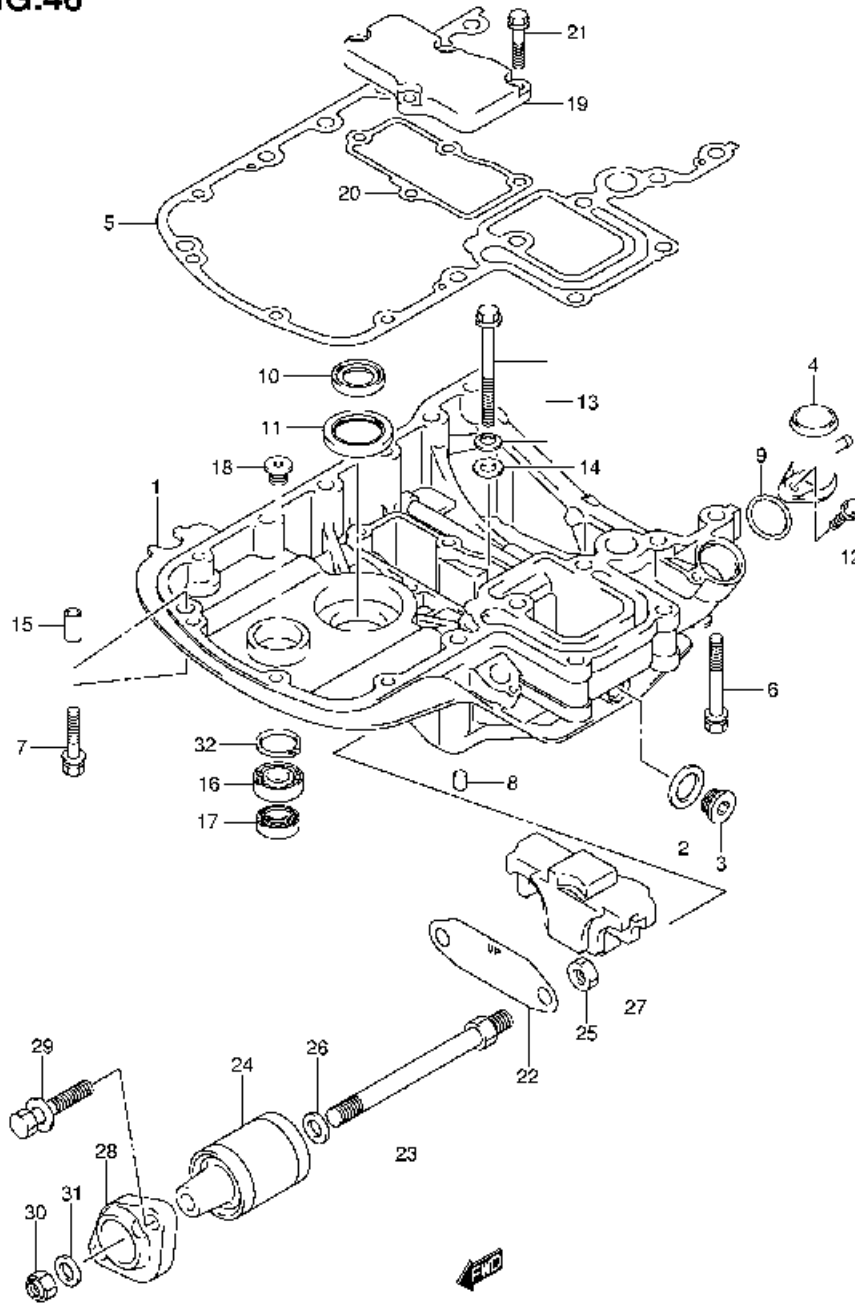
FIG.45



DF90 115 E01 045
ENGINE HOLDER-C

N° Réf.	N° Pièce	Désignation
1	51110-90810-0EP	Holder Set, Engine (black)
1	51110-90820-0EP	Holder Set, Engine (black)
1	51110-90821-0EP	Holder Set, Engine (black)
1	51110-90822-0EP	Holder Set, Engine (black)
2	09160-18031	Gasket (18.5x28x2.6)
3	09248-18006	Plug
3	09248-18010	Plug
4	51115-90000	Union, Water Return
5	51211-90110	Gasket, Engine Holder
6	09116-08119	Bolt (8x7)
7	09116-08128	Bolt (8x4)
8	09206-08001	Pin
9	09289-26006	O Ring (d3.1,Id26.4)
10	09289-24003	Seal, Oil
11	09283-25044	Seal, Oil
12	01550-06257	Bolt
13	01550-08857	Bolt
13	01550-08903	Bolt
14	09160-08053	Washer (8.5x19x2.3)
15	09164-08020	Washer, Wave
16	04211-11129	Pin
17	09292-17019	Bearing, Clutch Shaft
18	09289-18001	Seal, Clutch Shaft
19	09248-12005	Plug, Clutch Shaft
20	54112-90001	Bolt, Upper Mount
20	54112-90110	Bolt, Upper Mount
21	54100-90902	Mount Set, Upper (std & Port)
21	54100-90810	Mount Set, Upper
21	54130-90331	Mount, Upper
22	09140-12026	Nut
23	54113-90000	Washer (12.5x24x2.5)
24	09189-12097	Washer (12x22x3.0)
24	09160-12110	Washer (12.5x22x3.0)
25	54125-90000	Mount, Upper Thrust Reverse
26	54148-90001-0EP	Cover, Upper Mount (black)
27	09100-10157	Bolt (10x45)
27	09116-10139	Bolt (w/washer)
28	09159-12014	Nut
29	09160-10082	Washer (10.5x19x2.0)
30	09164-13007	Washer
31	08331-41356	Circlip

FIG.46

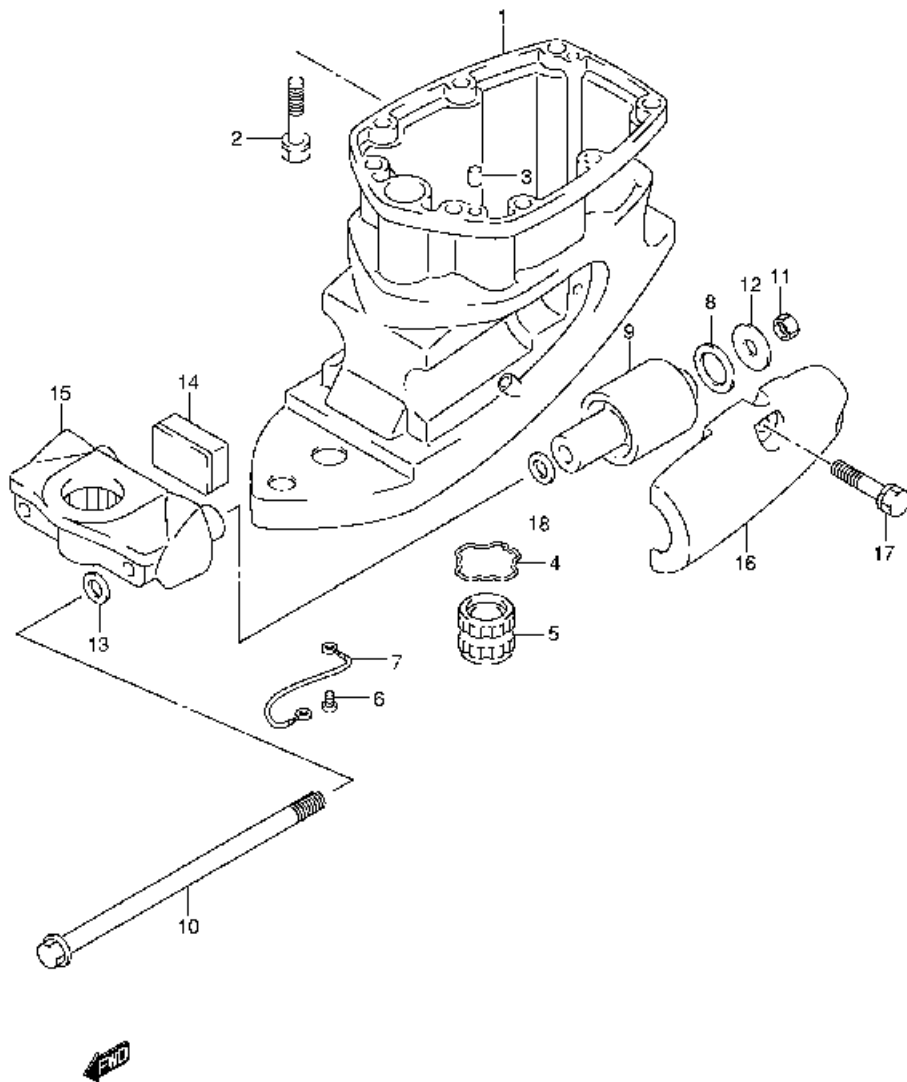


DF90 115 E01 046
ENGINE HOLDER-C

FIG46 ENGINE HOLDER (DF90:680686--DF115:681518--)

N° Réf.	N° Piece	Désignation
1	51110-90840-0EP	Holder Set, Engine (black)
1	51110-90841-0EP	Holder Set, Engine (black)
1	51110-90842-0EP	Holder Set, Engine (black)
2	09160-18031	-, Gasket (18.5x29x2.6)
3	09248-18010	-, Plus
4	51115-90100	Union, Water Return
5	51211-90121	Gasket, Engine Holder
6	09116-08119	Bolt (8x70)
7	09116-08128	Bolt (8x40)
8	09206-08001	Pin
9	09280-26006	O Ring (d3.1,d128.4)
10	09290-24003	Seal, Oil
11	09283-32044	Seal, Oil
12	01550-80257	Bolt
13	29117-95J10	Bolt (w/washer) (8x45)
14	09160-38059	Washer (8.5x18x1.6)
15	04211-11129	Pin
16	09262-17019	Bearing, Clutch Shaft
17	09288-18001	Seal, Clutch Shaft
18	09248-12005	Plus, Clutch Shaft
19	51122-90100	Cover, Mount Case
20	51123-90101	Gasket, Mount Case Cover
21	01550-8025A	Bolt
22	54123-90100	Plate, Upper Mount
23	54112-90120	Bolt, Upper Mount
23	54112-90J21	Bolt, Upper Mount
24	54130-90140	Mount, Upper
25	09159-12014	Nut
26	54114-90100	Washer (12.5x22x3)
27	54125-90110	Mount, Upper Thrust
28	54148-90110-0EP	Cover, Upper Mount (black)
29	09116-10139	Bolt (w/washer) (10x44)
30	09159-12014	Nut
31	09160-12110	Washer (12.5x22x3)
32	08331-41356	Circlip

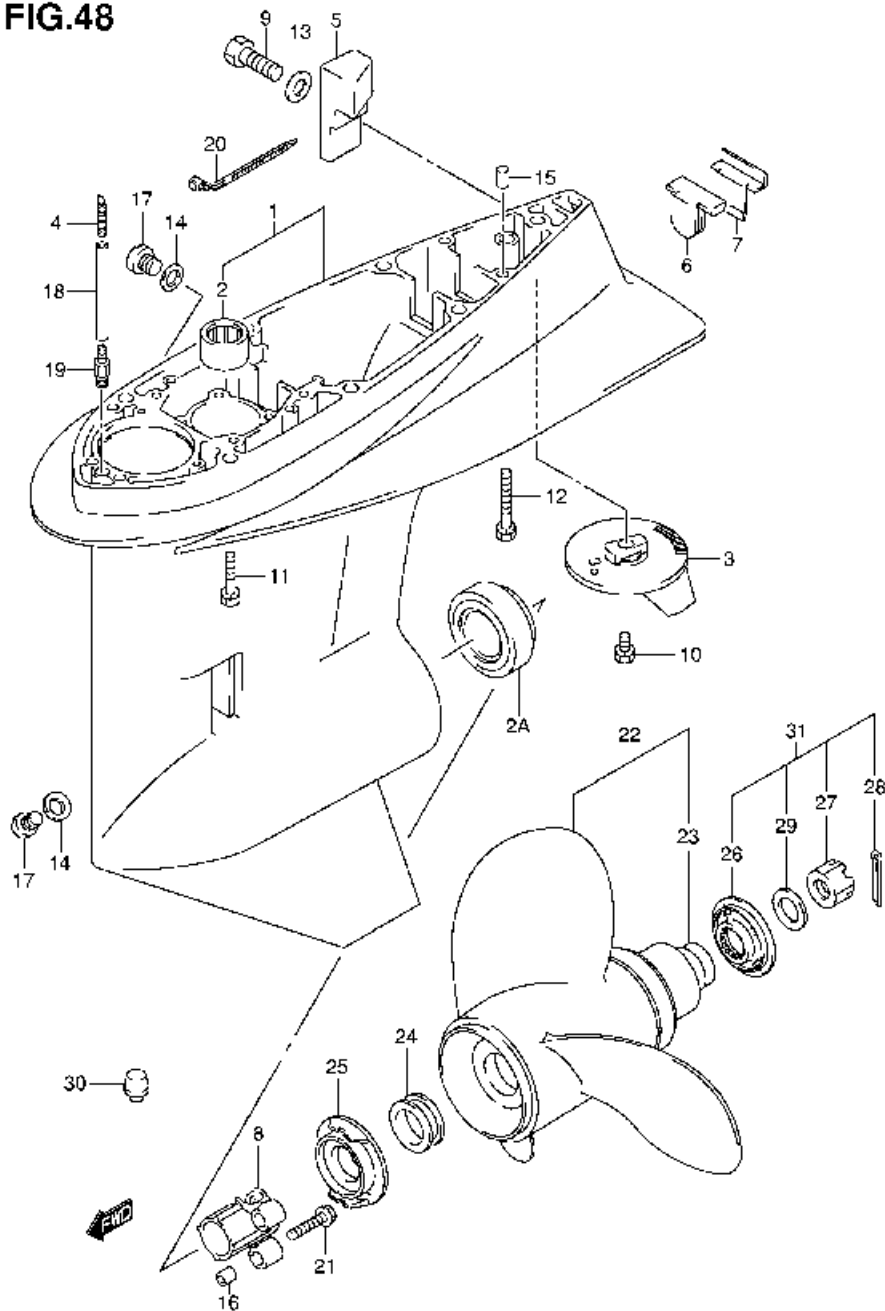
FIG.47



DF90 115 E01 047
DRIVE SHAFT HOUSING-C

N° Réf.	N° Pièce	Designation
1	52111-90J01-0EP	Housing, Drive Shaft (black)
1	52111-90J02-0EP	Housing, Drive Shaft (black)
1	52111-90J12-0EP	Housing, Drive Shaft (black)
2	09117-10034	Bolt (10x45)
2	09117-10058	Bolt (10x45)
3	09202-09006	Pin, Knock
4	09387-45001	Circlip
5	57130-94501	Bush, Drive Shaft
6	09125-06063	Screw (6x10)
7	36895-87D01	Lead (brkt To Hsg)
7	36895-87D10	Lead (sawel To Hsg)
8	54121-87D00	Damper, Reverse Stopper Lower
9	54160-90J00	Mount, Lower
10	54166-90J10	Bolt (12x231)
10	54166-90J11	Bolt (12x231)
11	09159-12014	Nut
12	09160-12112	Washer (12x40x3.0)
13	54114-90J00	Washer (12.5x22x3.0)
14	54151-90J00	Mount, Lower Thrust
15	54211-90J01-0EP	Bracket, Lower Mount (black)
16	54221-90J02-0EP	Cover, Lower Mount (black)
17	09117-10034	Bolt (10x45)
17	09117-10058	Bolt (10x45)
18	09160-12113	Washer (12.5x30x2.5)

FIG.48

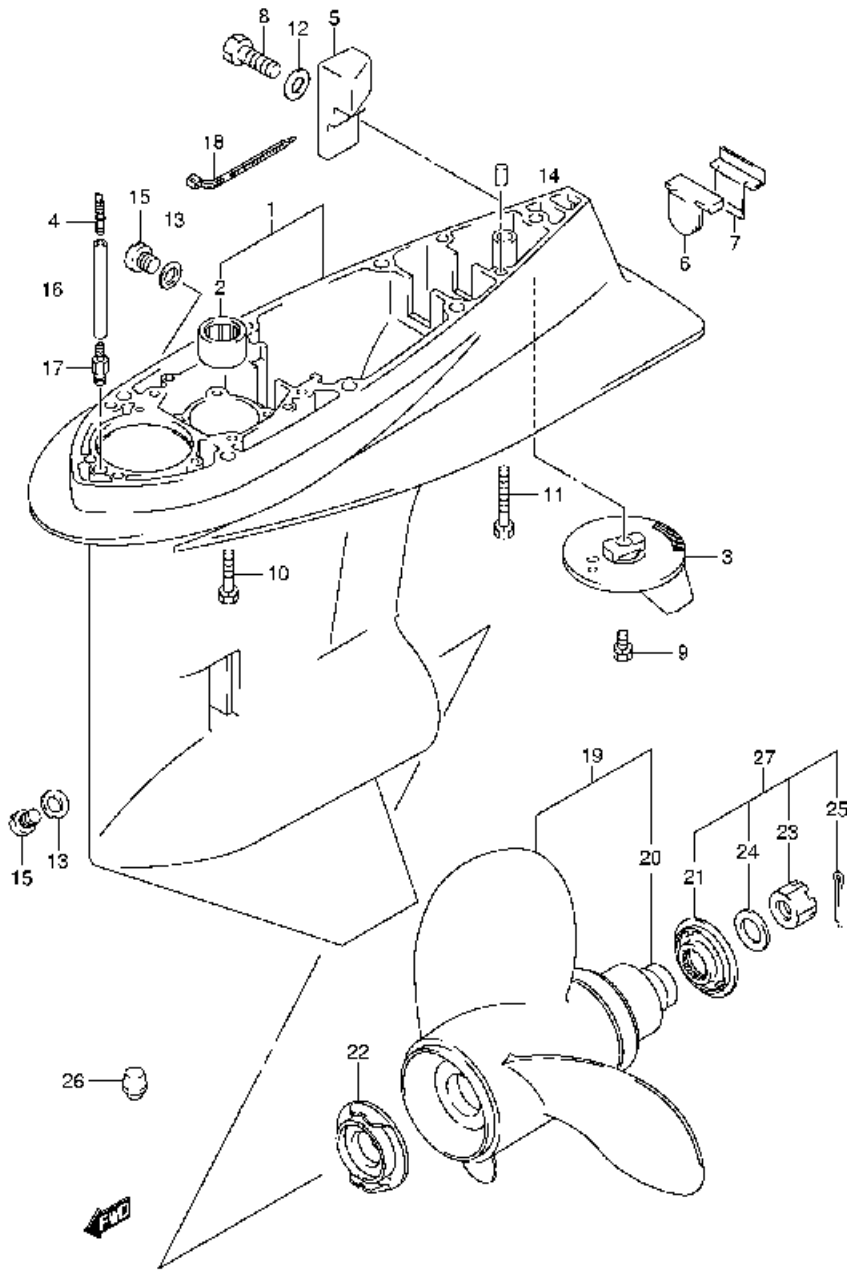


N° Réf.	N° Piece	Désignation
1	55100-90803-0EP	Case Set, Gear (black)
2	09265-28016	• Bearing, Pinion
2a	09265-50003	• Bearing
3	55125-90001	Tab, Trim
4	55127-87D00	Union, Speedometer Hose
5	55321-90J01	Anode, Gear Case
6	55333-87D11	Rubber, Exhaust Seal
7	55333-87D10	Plate, Exhaust Seal
8	56145-90J10	Housing, Shift Cam
8	56145-90J20	Housing, Shift Cam
9	09100-06131	Bolt (6x12)
10	09116-08121	Bolt, Trim Tab (8x22)
11	09117-10038	Bolt (10x55)
11	09116-10141	Bolt (10x55)
12	09117-10038	Bolt (10x90)
13	09160-06085	Washer (6.5x15x1.0)
14	09169-10022	Gasket, Drain Plug
15	09202-08006	Pin
16	09206-09012	Pin
17	09246-10008	Plug, Drain
18	09355-40805-00B	Hose
18	09355-40805-00B	Hose
19	09362-09008	Nipple
20	09407-14407	Clamp
21	01550-96297	Bolt
22	58100-90J01-019	Propeller (3x14x17)
22	58100-90J11-019	Propeller (3x14x19)
22	58100-90J21-019	Propeller (3x14x21)
22	58100-90J31-019	Propeller (3x14x23)
22	58100-90J41-019	Propeller (3x14x25)
22	58200-90J00	Propeller (3x14.25x18)
22	58200-90J10	Propeller (3x14.25x20)
22	58200-90J20	Propeller (3x14.25x22)
22	58200-90J30	Propeller (3x14.25x24)
23	58129-90J00	• Bush
24	57832-90J00	Spacer, Propeller Stopper
25	57835-90J01	Stopper, Propeller Bush
26	57833-90J01	Spacer, Propeller Nut
26	57833-90J02	Spacer, Propeller Nut
27	09141-18005	Nut
28	09204-03003	Cotter Pin (I:25)
29	09169-18028	Washer (18.5x31x1.0)
30	55116-87E00	Plug
31	57830-90J00	Kit, Propeller Nut
32	23700-90J01	Sealing Kit, Gear Case

DF90 115 E01 048
 GEAR CASE (1)-C

N° cliché: FIG49
 Titre du cliché: GEAR CASE (DF115Z)

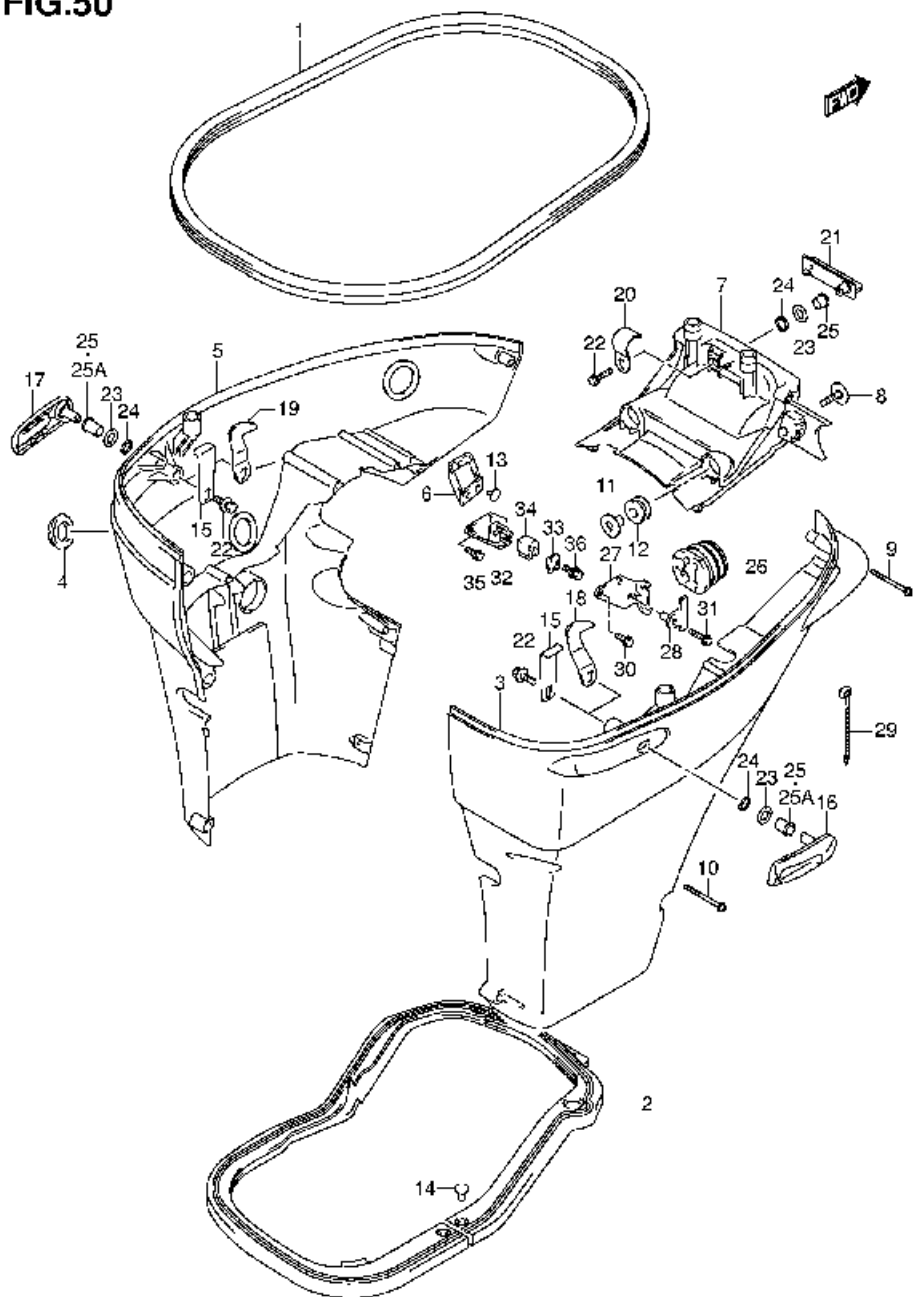
FIG.49



N° Réf.	N° Pièce	Désignation
1	55110-92J00-OEP	Case, Gear (black)
2	09269-28016	• Bearing, Pinion
3	55125-92J00	Tab, Trim
4	55127-87D00	Union, Speedometer Hose
5	55321-90J01	Anode, Gear Case
6	55332-87D11	Rubber, Exhaust Seal
7	55333-87D10	Plate, Exhaust Seal
8	09100-06131	Bolt (6x12)
9	09116-08121	Bolt (8x22)
10	09116-10141	Bolt (10x55)
11	09117-10039	Bolt (10x90)
12	09160-06095	Washer (6.5x15x1.0)
13	09168-10022	Gasket (10x17x1.5)
14	06200-08006	Pin
15	09248-10008	Plug, Drain
16	09355-40805-008	Hose
17	09362-09008	Nipple
18	09407-14407	Clamp
19	58200-90J00	Propeller (3x14.25x18)
19	58200-90J10	Propeller (3x14.25x20)
19	58200-90J20	Propeller (3x14.25x22)
19	58200-90J30	Propeller (3x14.25x24)
19	58200-92J00	Propeller (3x14.25x18)
19	58200-92J10	Propeller (3x14.25x20)
19	58200-92J20	Propeller (3x14.25x22)
19	58200-92J30	Propeller (3x14.25x24)
20	55120-90J00	• Bush
21	57633-90J02	Spacer, Propeller
22	57635-92J01	Stopper, Propeller Bush
23	09141-18005	Nut
24	09160-18028	Washer (18.5x31x1.0)
25	09204-03003	Cotter Pin (I:25)
26	55118-87E00	Plug
27	57630-90J00	Kit, Propeller Nut
28	23700-90J01	Sealing Kit, Gear Case

DF90 115 E01 049
 GEAR CASE (DF115Z)-C

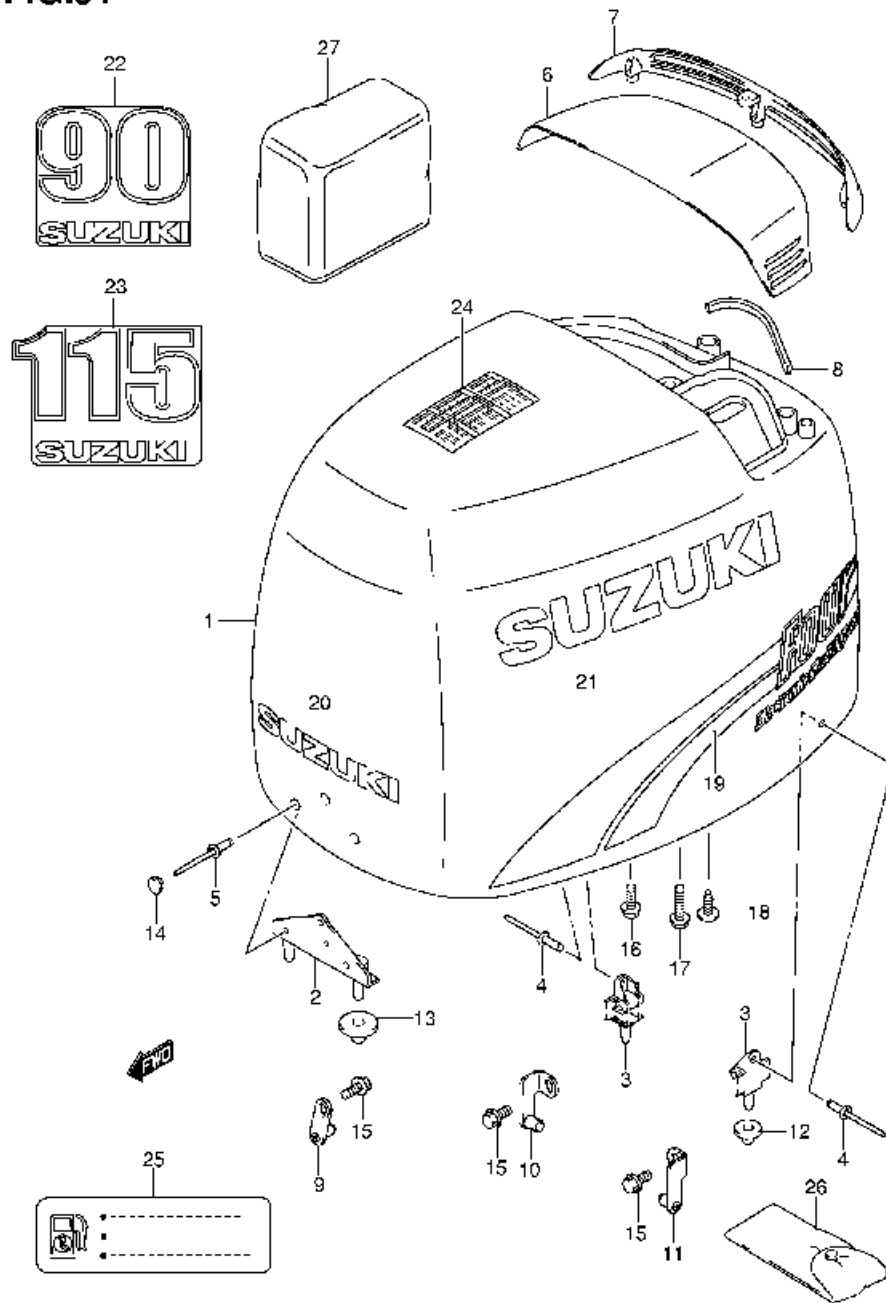
FIG.50



N° Réf.	N° Pièce	Désignation
1	61112-90J00	Rubber, Side Cover
2	61134-90J01	Seal, Side Cover
2	61134-90J10	Seal, Side Cover
3	61810-90J00-0EP	Cover, Side Sbd (black)
4	61817-89J00	Plug, Side Cover
5	61820-90J00-0EP	Cover, Side Port (black)
6	61827-90J00	Holder, Side Cover
7	61831-90J01-0EP	Panel, Front (black)
7	61831-90J02-0EP	Panel, Front (black)
7	61831-90J10-0EP	Panel, Front (black)
8	09118-08127	Bolt (8x4)
9	09136-06148	Screw (6x35)
10	09136-06148	Screw (6x55)
11	09169-08039	Washer
12	09320-11013	Cushion
13	09321-08022	Cushion
14	09409-05302-SPK	Pin (black)
15	61631-90J00	Hook, Engine Cover Rr
16	61633-90J01-0EP	Lever, Hook Rear Sbd (black)
17	61634-90J01-0EP	Lever, Hook Rr (black)
18	61637-90J00	Hook, Engine Cover Rr Sbd
19	61638-90J00	Hook, Engine Cover Rr Port
20	61641-87D00	Hook, Engine Cover Fr
21	61646-90J01-0EP	Lever, Hook Fr (black)
22	09116-06127	Bolt (6x2)
23	09160-13014	Washer (1.3,2x25x1.0)
24	09164-14036	Washer, Wave
25	09307-13003	Bush (fr & Rr)
25	09307-13003	Bush, Front
25	09307-13006	Bush, Front
25a	09306-13008	Bush, Rear
26	61124-90J00	Grommet, Remoon Cable
26	61124-90J30	Grommet, Remoon Cable
27	67341-90J01	Holder, Remoon Cable
28	67343-90J01	Stopper, Remoon Cable
29	09407-25402	Clamp
30	01550-06167	Bolt
31	01550-06257	Bolt
32	67341-90J32	Holder, Remoon Cable
33	67343-90J20	Stopper, Remoon Cable
34	67344-90J00	Cushion, Remoon Cable Hldr
35	01550-06167	Bolt
36	01580-06257	Bolt

DF90 115 E01 050
 SIDE COVER-C

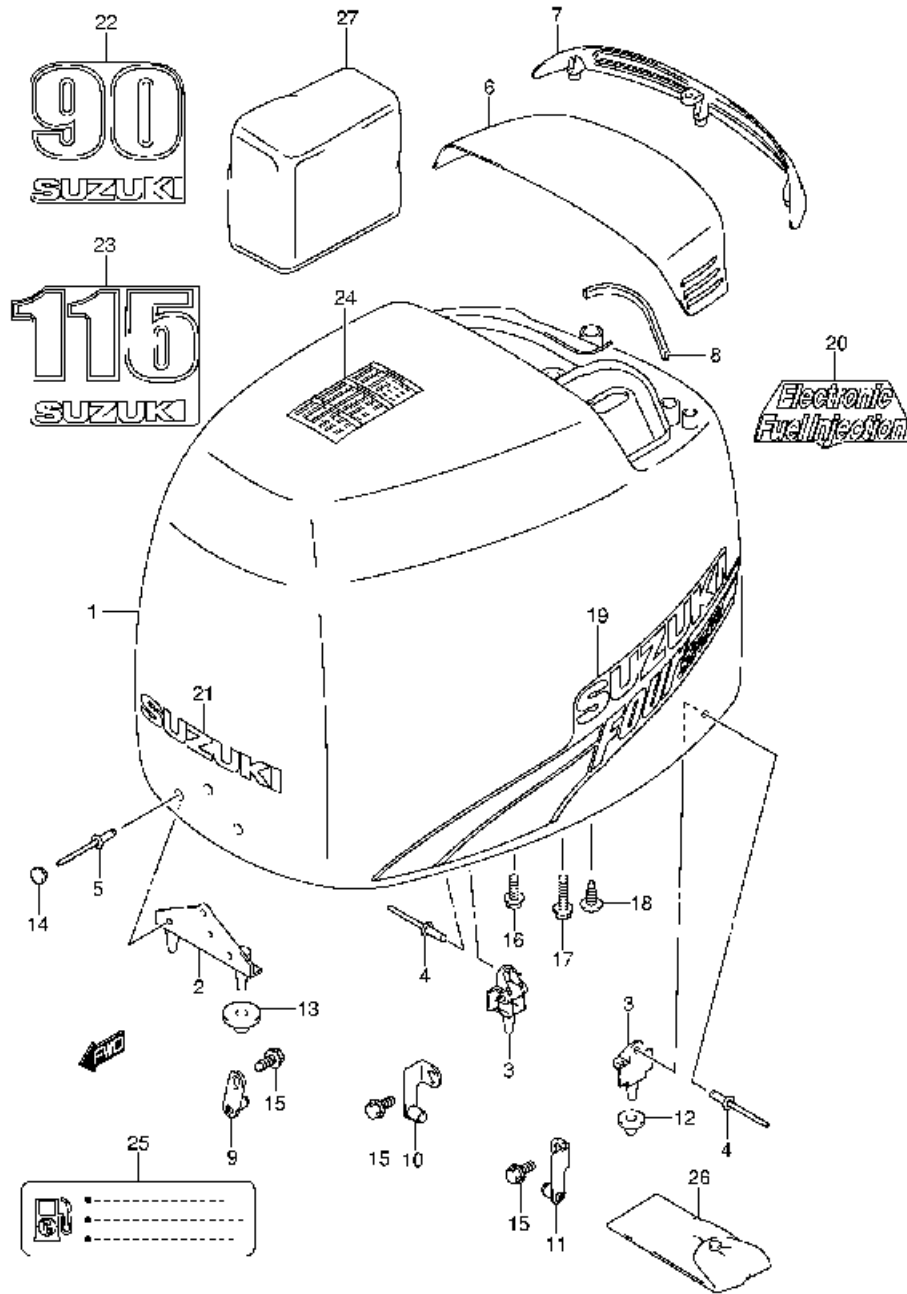
FIG.51



N° Réf.	N° Pièce	Designation
1	61400-90800-OEP	Cover Set, Engine (black)
2	61621-87D02	• Bracket, Fastener Fr
3	61644-90J00	• Bracket, Fastener Rr
4	09229-04028	• Rivet
5	09229-04046	• Rivet
6	61431-90J00-OEP	• Handle, Tilt Up (black)
7	61432-90J00	• Louver, Tilt Up Handle
8	61439-90J00	• Seal, Tilt Up Handle
9	61610-90J21	• Fastener
10	61680-90J00	• Fastener, Rear Sbd
11	61699-90J00	• Fastener, Rear Port
12	09329-10022	• Cushion
13	09329-10023	• Cushion
14	09250-12013	• Cap
15	01550-06127	• Bolt
16	01550-06167	• Bolt
17	01550-06257	• Bolt
18	03542-06163	• Screw
19	61443-90J00	• Stripe, Engine Cover Sbd
20	68111-47C00-Y2D	• Mark, Emblem (silver)
21	68111-47C10-Y2D	• Mark, Emblem (silver)
22	68881-16C00-Y2D	• Mark, Emblem Side (silver)
23	61435-90J10	Mark, Emblem Rear
24	61435-99E31	Label, Engine Cover
25	69716-99E13	Label, Fuel Limitation
26	09800-81610	Tool Set
27	68110-87D01	Cover, Weather

DF90 115 E01 051
 ENGINE COVER (1)-C

FIG.52

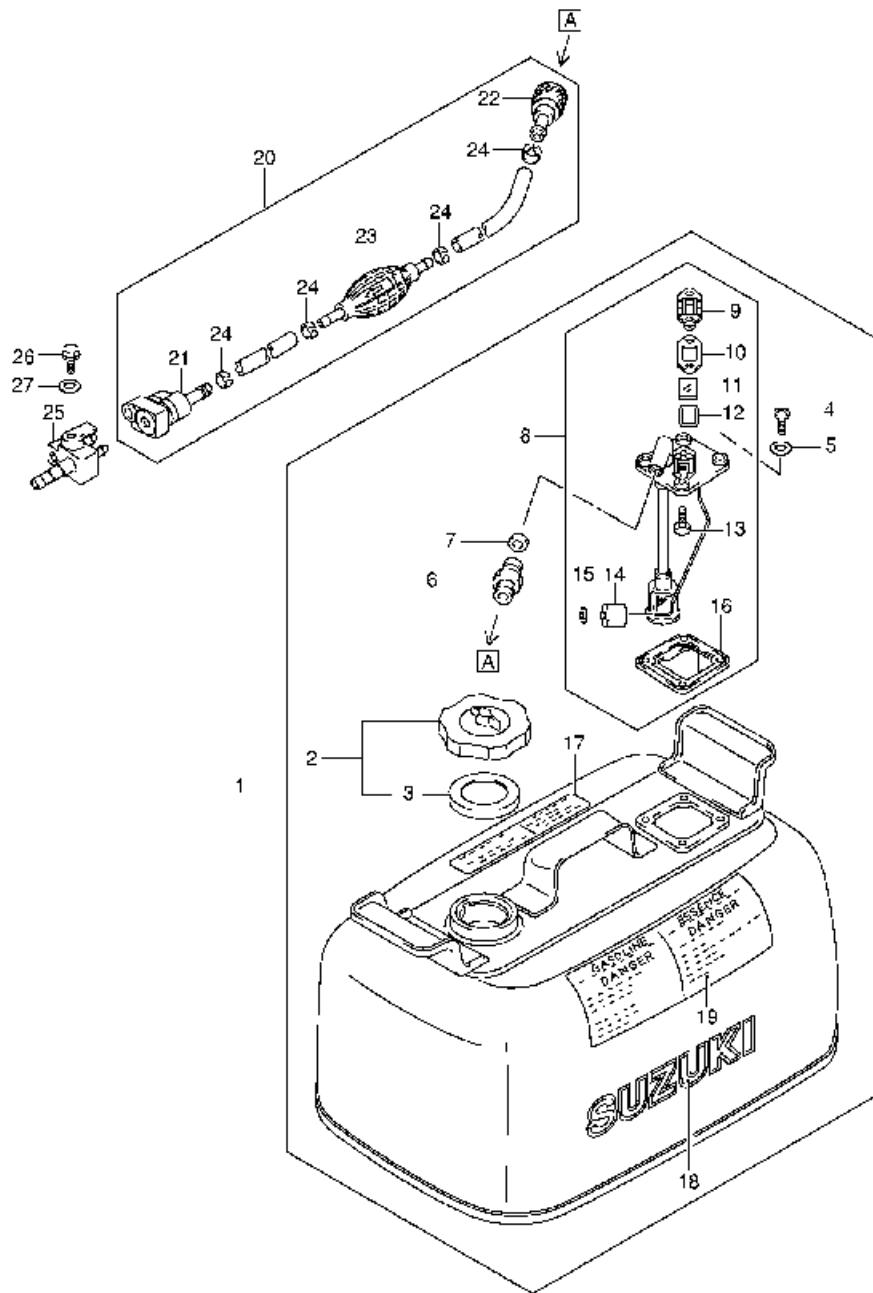


DF90 115 E01 052
ENGINE COVER (2)-C

FIG52 ENGINE COVER (MODEL:03-08)

N° Réf.	N° Pièce	Désignation
1	61400-90813-OEP	Cover Set, Engine (black)
2	61621-87D02	• Bracket, Fastener Front
3	61644-90J00	• Bracket, Fastener Rear
4	09229-04028	• Rivet
4	09229-04025	• Rivet
5	09229-04046	• Rivet
6	61431-90J00-OEP	• Handle, Tilt Up (black)
7	61432-90J00	• Lower, Tilt Up Handle
8	61439-90J00	• Seal, Tilt Up Handle
9	61610-90J22	• Fastener
10	61690-90J00	• Fastener, Rear Strd
11	61690-90J00	• Fastener, Rear Port
12	06328-10022	• Cushion
13	09329-10023	• Cushion
14	09250-12013	• Cap
15	01550-06127	• Bolt
16	01550-06167	• Bolt
17	01550-06257	• Bolt
18	03542-06169	• Screw
19	61443-90J11	• Stripe, Engine Cover Strd
19	61453-90J11	• Stripe, Engine Cover Port
20	61446-87J01	• Decal, Efi
21	66111-90J01	• Mark, Emblem (silver)
22	61438-90J41	Mark, Emblem Rear
23	61438-90J51	Mark, Emblem Rear
24	61458-99831	Label, Engine Cover
25	69716-99E13	Label, Fuel Limitation
26	09800-81B11	Tool Set
27	66110-87D01	Cover, Weather

FIG.53

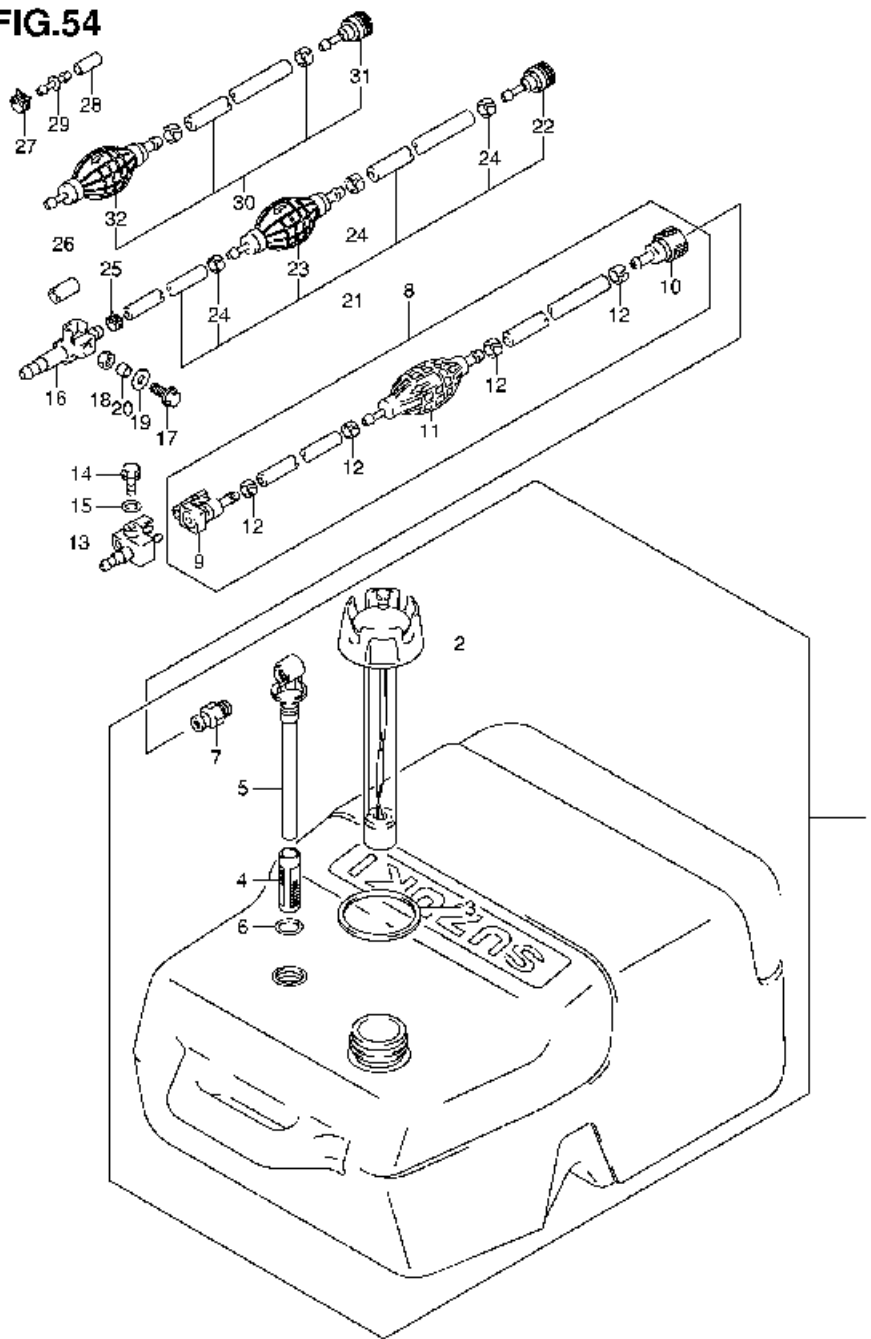


N° cliché Titre du cliché
FIG53 FUEL TANK (METAL)

N° Réf.	N° Pièce	Désignation
1	65800-92524	Tank Set, Fuel (24)
2	65510-92000	• Cap Assy, Separate Tank
3	65561-92D00	-- Gasket, Tank Cap
4	02142-06167	-- Screw
5	09168-06026	• Washer
6	65740-95500	• Connector, Fuel
7	09168-12015	• Gasket, Connector
8	65850-92D01	• Gauge Assy, Fuel
9	65505-92D10	-- Cover, Gauge
10	65854-92D20	-- Gasket
11	65853-92D00	-- Lens
12	65854-92D30	-- Gasket, Lens
13	03222-04983	-- Screw
14	65864-92D00	-- Float
15	65866-92D00	-- Nut, Push
16	65871-92D00	-- Gasket, Fuel
17	65317-95500	• Mark, Fuel Capacity (24)
18	61441-88500	• Mark, Ornament
19	65316-83331	• Mark, Fuel Caution
20	65700-87J10	Hose, Fuel
21	65750-87J10	• Socket, Fuel Hose
22	65750-95500	• Socket, Fuel Hose
23	65770-95504	• Pump, Squeeze
24	65781-88500	• Clip
25	65720-88680	Plug, Fuel Connector
26	09103-06237	Bolt, Fuel Connector Plug
27	05160-06085	Washer

DF90 115 E01 053
FUEL TANK (1)-C

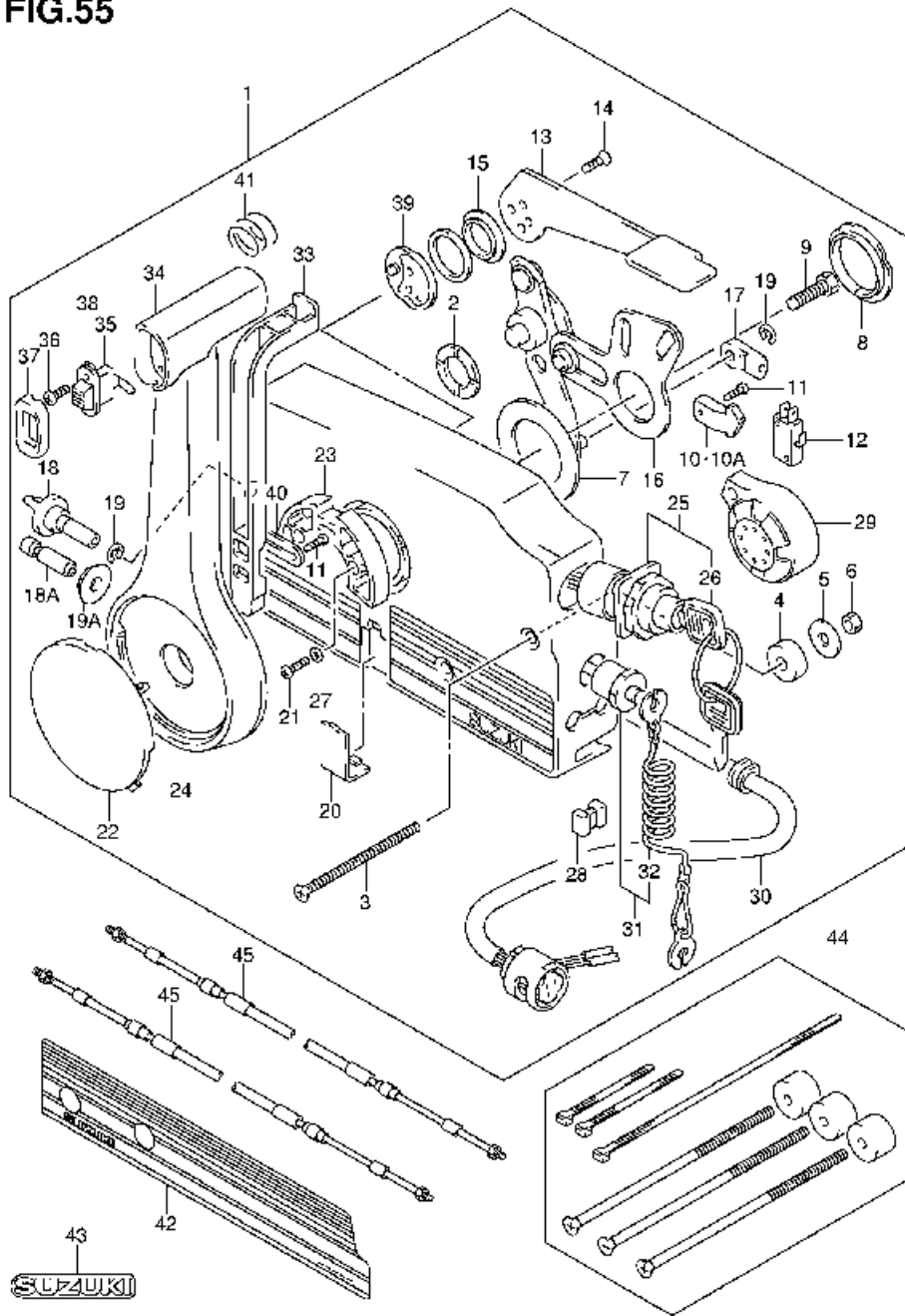
FIG.54



N° Réf.	N° Pièce	Désignation
1	65000-95D01	Tank Assy, Fuel (25)
2	65520-95D00	- Cap Assy, Fuel Tank
3	65561-95D00	- Gasket, Tank Cap
4	65831-95D00	- Filter, Outlet
5	65890-95D00	- Outlet Assy
6	65892-95D00	- O Ring, Fuel Outlet
7	65740-95D01	- Plug, Fuel Connector
8	65700-97J10	Hose, Fuel
9	65750-97J10	- Socket, Fuel Hose
10	65750-95500	- Socket, Fuel Hose
11	65770-95504	- Pump, Squeeze
12	65781-98500	- Clip
13	65720-98500	Plug, Fuel Connector
14	09103-06237	Bolt (6x12.5)
15	09160-06085	Washer
16	65721-90J00	Plug, Fuel Connector
17	09103-06092	Bolt (6x15)
18	09140-06020	Nut
19	09160-06085	Washer (6.5x15x1.0)
20	09180-06334	Spacer
21	65700-90J00	Hose, Fuel
22	65750-95500	- Socket, Fuel Hose
23	65770-95504	- Pump, Squeeze
24	65781-98500	- Clip
25	17818-90J00	Clip
26	09251-07003	Cap
27	17818-90J00	Clip, Fuel Hose
28	09251-07003	Cap, Fuel Joint
29	09307-09001	Joint, Fuel Hose
30	65700-90J10	Hose, Fuel (Tank To Engine)
31	65750-95500	- Socket, Fuel Hose
32	65770-95504	- Pump, Squeeze

DF90 115 E01 054
FUEL TANK (2)-C

FIG.55



N° Réf.	N° Pièce	Désignation
1	67200-99E30-0EP	Remote Control Box (black)
2	67232-95600	• Bush
3	67298-95603	• Screw
4	67294-95600	• Spacer
5	09160-06104	• Washer
6	09140-09020	• Nut
7	67253-95600	• Washer
8	67253-95600	• Bush
9	09100-09232	• Bolt (8x30)
10	67214-95600	• Actuator
10a	67238-87000	• Gear, Drive
11	67298-94300	• Screw
12	37721-94600	• Switch, Neutral
13	67241-99E00	• Lever, Free Throttle
14	09126-05003	• Screw (5x12)
15	67243-95600	• Bush
16	67220-95630	• Plate Assy
17	67275-95600	• End, Cable
18	67223-95600	• Knob, Brake Adjust
18a	67223-99E00	• Knob, Brake Adjust
19	67292-94300	• E Ring
19	67292-94300	• E Ring
19a	09308-08001	• Grommet
20	67267-95610	• Cover, Wire
21	67298-95610	• Screw
22	67257-95610	• Cap, Lever
23	67256-95600	• Holder, Neutral Lock
24	67251-99E00	• Lever, Handle
25	37119-92E02	• Switch Assy, Ignition
26	37141-92E00	-- Key (11)
26	37141-92E10	-- Key (12)
26	37141-92E20	-- Key (13)
26	37141-92E30	-- Key (14)
26	37141-92E40	-- Key (15)
26	37141-92E50	-- Key (16)
26	37141-92E60	-- Key (17)
26	37141-92E70	-- Key (18)
26	37141-92E80	-- Key (19)
26	37141-92E90	-- Key (20)
27	67297-95600	• Washer
28	67273-95600	• Spacer
29	38500-92X50	• Buzzer
29	38500-92E10	• Buzzer
30	38620-92E10	• Wiring Harness
31	37620-92E00	• Switch Assy, Emergency
32	37623-92E00	-- Plate
33	67258-95600	• Arm, Neutral Lock
34	67261-95600	• Grip
35	37860-94610	• Switch, Trim
36	08158-02003	• Screw (2x5.0)
37	67263-95600	• Cap, Grip
38	37869-95690	• Cap, Trim Switch
39	67245-95600	• Drum Assy, Free Throttle
40	67258-87000	• Bracket, Neutral Arm
41	67258-87000	• Spring, Neutral Arm
42	67262-95610	Decal, Remocoon Box Port
43	68165-16900-13L	Emblem, Suzuki (silver)
44	67140-95600	Attachment, Twin Remocoon Kit
45	67320-93J00	Cable, Remocoon 8f (2.4m)
45	67320-93J10	Cable, Remocoon 10f (3.1m)
45	67320-93J20	Cable, Remocoon 12f (3.7m)
45	67320-93J30	Cable, Remocoon 14f (4.3m)
45	67320-93J40	Cable, Remocoon 16f (4.9m)
45	67320-93J50	Cable, Remocoon 18f (5.5m)
45	67320-93J60	Cable, Remocoon 20f (6.1m)
45	67320-93J70	Cable, Remocoon 22f (6.7m)
45	67320-93J80	Cable, Remocoon 24f (7.3m)

DF90 115 E01 055
 REMOTE CONTROL (1)-C

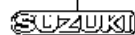
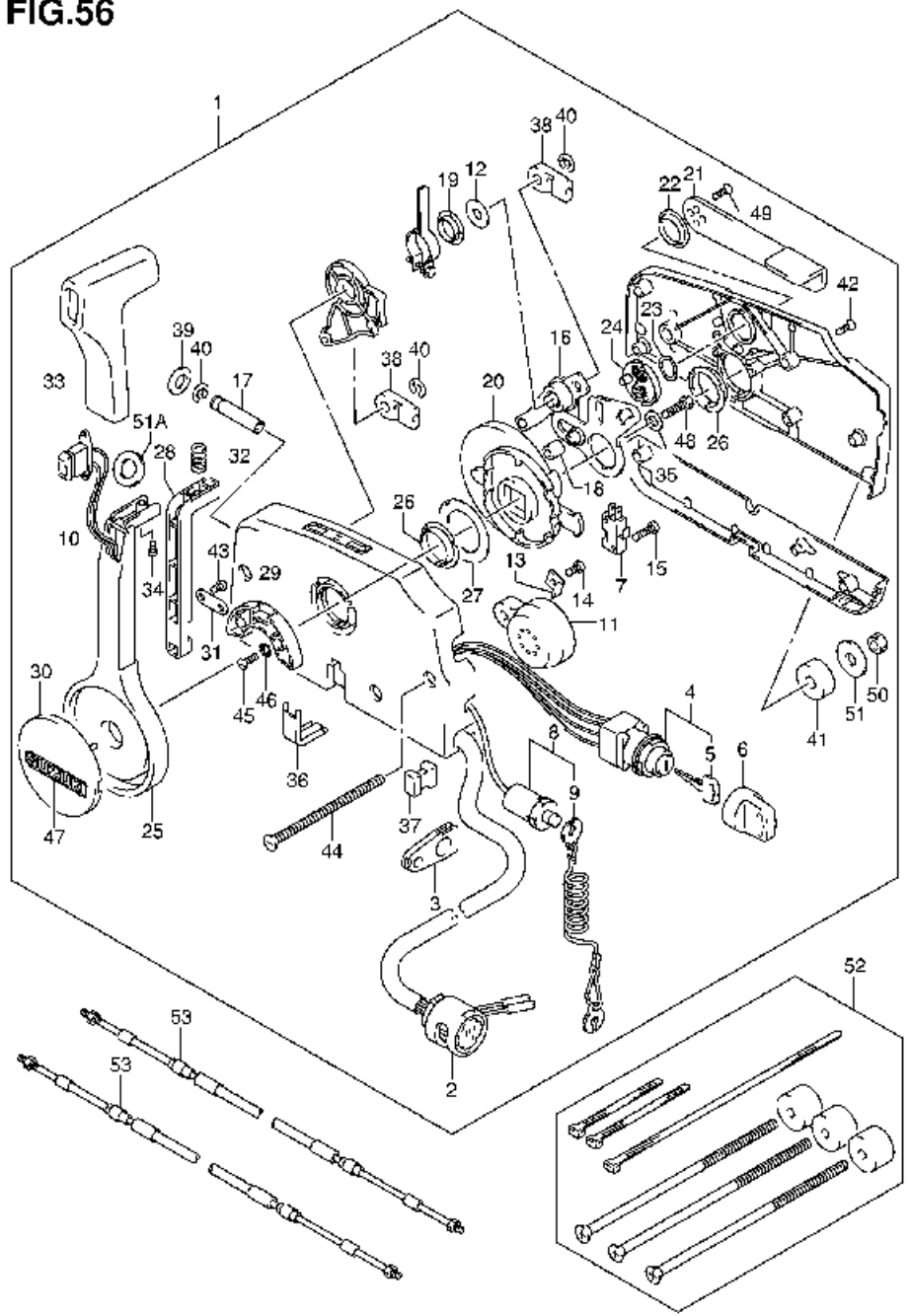


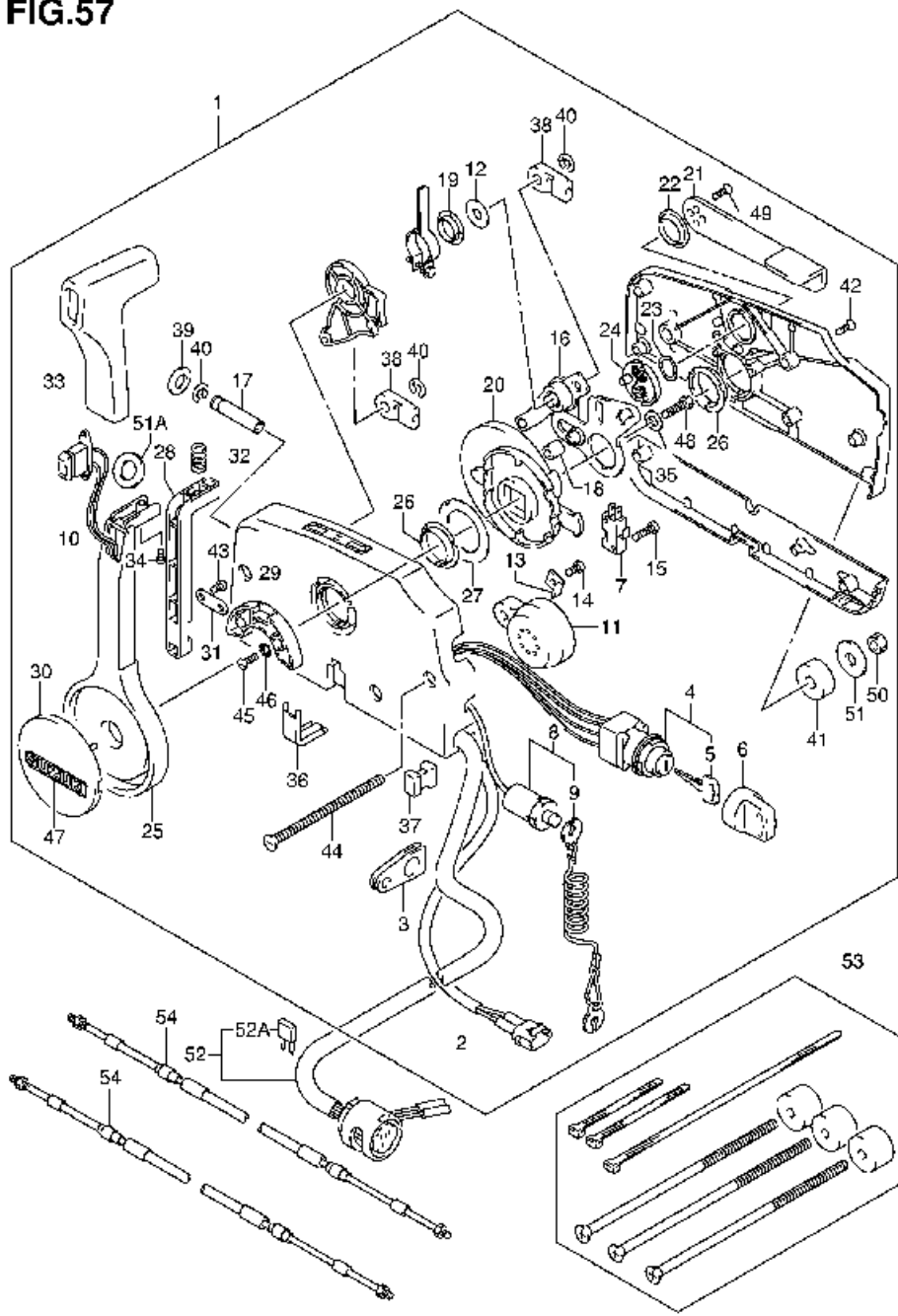
FIG.56



N° Réf.	N° Pièce	Désignation
1	67200-99E50	Remote Control Box
2	36200-92E20	• Wire Assy, Remocon
3	36628-92E00	• Grommet
4	37110-99E00	• Switch Assy, Ignition
5	37141-99E00	• Key (S31)
5	37141-99E10	• Key (S32)
5	37141-99E20	• Key (S33)
5	37141-99E30	• Key (S34)
5	37141-99E40	• Key (S35)
5	37141-99E50	• Key (S36)
5	37141-99E60	• Key (S37)
5	37141-99E70	• Key (S38)
5	37141-99E80	• Key (S39)
5	37141-99E90	• Key (S40)
5	37141-99E0A0	• Key (S41)
5	37141-99E8B0	• Key (S42)
6	37143-99E00	• Cap, Key
7	37221-94600	• Switch, Neutral
8	37820-92E00	• Switch Assy, Emergency
9	37823-92E00	• Plate
10	37850-90000	• Switch Assy, Ptt
11	38500-92E10	• Buzzer, Warning
12	67212-95600	• Washer
13	67213-92E00	• Bracket, Buzzer Brkt
14	67214-92E10	• Screw, Buzzer Brkt
15	67216-94600	• Screw, Neutral Sw
16	67223-95630	• Plate Assy
17	67223-99E10	• Knob, Brake Adjust
18	67229-95600	• Roller
19	67233-95600	• Bush
20	67238-87D00	• Gear, Drive
21	67241-99E10	• Lever, Free Throttle
22	67243-95600	• Bush
23	67244-95600	• Wave Washer
24	67245-95600	• Diem, Free Throttle
25	67251-99E10	• Lever, Handle
26	67253-95600	• Bush
27	67253-95600	• Washer
28	67255-99E00	• Arm, Lock
29	67256-95600	• Holder, Nut Lock
30	67257-99E00	• Cap, Lever
31	67258-99E00	• Bracket
32	67259-87D00	• Spring, Neutral Arm
33	67261-99E00	• Grip
34	67262-95600	• Screw, Buzzer Brkt
35	67264-95600	• Washer
36	67267-95E10	• Cover, Wire
37	67273-95600	• Spacer
38	67275-95600	• End, Cable
39	67298-99E00	• Washer
40	67292-94300	• E Ring
41	67294-95600	• Spacer
42	67296-90000	• Screw, Cover
43	67296-94300	• Screw
44	67296-95600	• Screw
45	67296-95E10	• Screw
46	67297-95600	• Washer
47	68165-16800-13L	• Emblem, Suzuki
48	09100-08232	• Bolt
49	09126-05033	• Screw
50	09140-06020	• Nut
51	09160-06104	• Washer
51a	37859-90000	• Spacer
52	67140-95600	Attachment, Twin Remocon Kit
53	67320-93300	Cable, Remocon 9f (2.4m)
53	67320-93310	Cable, Remocon 10f (3.1m)
53	67320-93320	Cable, Remocon 12f (3.7m)
53	67320-93330	Cable, Remocon 14f (4.3m)
53	67320-93340	Cable, Remocon 16f (4.9m)
53	67320-93350	Cable, Remocon 18f (5.5m)
53	67320-93360	Cable, Remocon 20f (6.1m)
53	67320-93370	Cable, Remocon 22f (6.7m)
53	67320-93380	Cable, Remocon 24f (7.3m)

DF90 115 E01 056
REMOTE CONTROL (2)-C

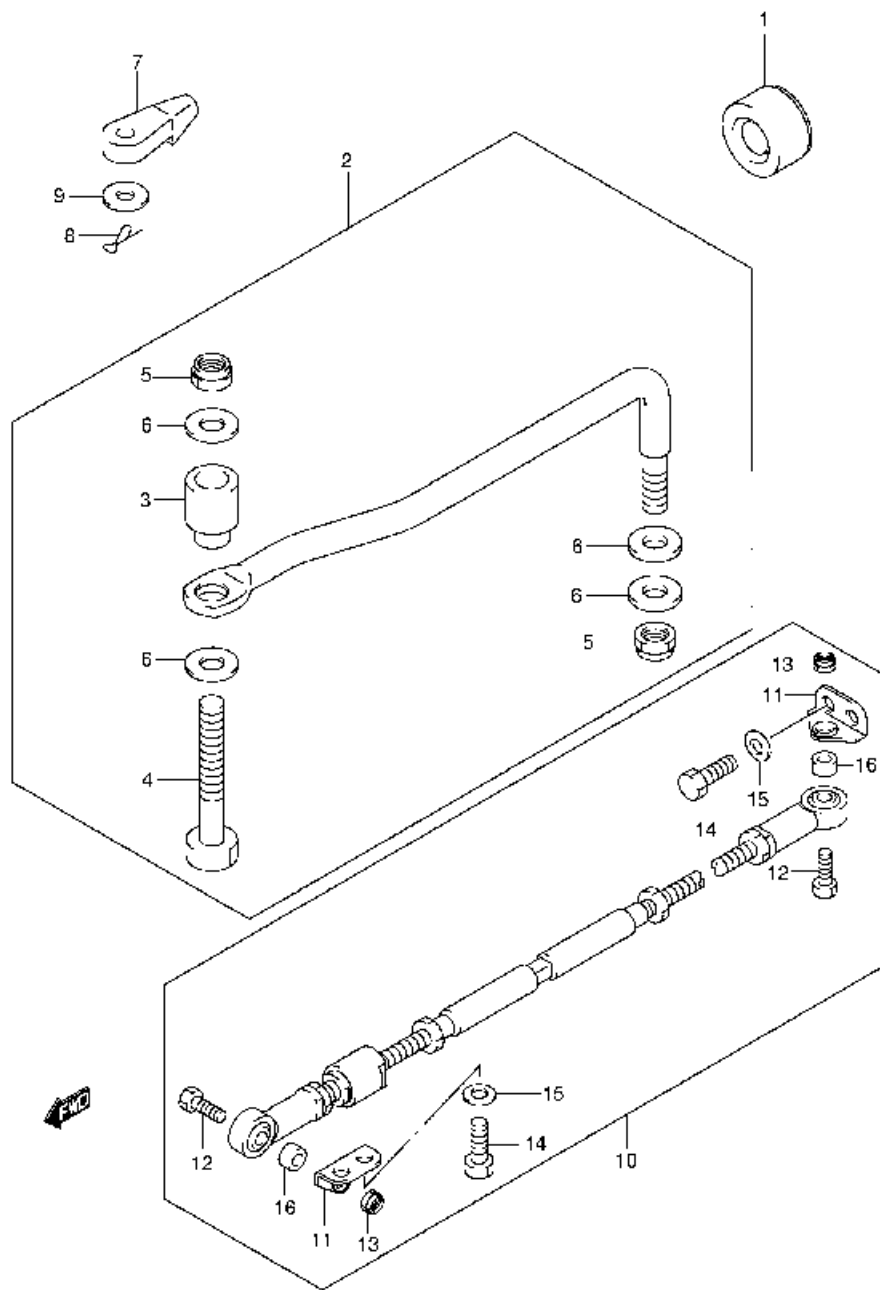
FIG.57



N° Réf.	N° Pièce	Désignation
1	67200-93J00	Remote Control Assy
2	36846-93J00	• Wire Assy, Ptt Sw Adapter
3	36628-92E00	• Grommet, Wire Harness
4	37110-93J00	• Switch Assy, Ignition
5	37141-99E00	-- Key (S31)
5	37141-99E10	-- Key (S32)
5	37141-99E20	-- Key (S33)
5	37141-99E30	-- Key (S34)
5	37141-99E40	-- Key (S35)
5	37141-99E50	-- Key (S36)
5	37141-99E60	-- Key (S37)
5	37141-99E70	-- Key (S38)
5	37141-99E80	-- Key (S39)
5	37141-99E90	-- Key (S40)
5	37141-99E0A0	-- Key (S41)
5	37141-99E80	-- Key (S42)
6	37143-99E00	• Cap, Key
7	37221-93J90	• Switch, Neutral
8	37820-93J00	• Switch Assy, Emergency
9	37823-92E01	• Plate
10	37850-90J03	• Switch Assy, Ptt
11	38500-93J90	• Buzzer
12	67212-95600	• Washer
13	67213-92E00	• Bracket, Buzzer
14	09125-95942	• Screw, Buzzer Brkt
15	67296-92E10	• Screw, Neutral Sw
16	67223-95630	• Plate Assy
17	67223-99E10	• Knob, Brake Adj
18	67229-95600	• Roller
19	67233-95600	• Bush
20	67238-87D00	• Gear, Drive
21	67241-99E10	• Lever, Free Throttle
22	67243-95600	• Bush
23	67244-95600	• Washer, Wave
24	67245-95600	• Drum, Free Throttle
25	67251-99E10	• Lever, Handle
26	67253-95600	• Bush
27	67253-95600	• Washer
28	67255-99E00	• Arm, Lock
29	67256-95600	• Hider, Nut Lock
30	67257-99E00	• Cap, Lever
31	67258-99E00	• Bracket, Lock Arm
32	67259-87D00	• Spring, Neutral Arm
33	67261-99E00	• Grip
34	67296-94310	• Screw
35	67264-95600	• Washer
36	67267-95610	• Cover, Wire
37	67273-95600	• Spacer
38	67275-95600	• End, Cable
39	67296-92E00	• Washer, Brake Adj Knob
40	67292-94300	• E Ring
41	67294-95600	• Spacer
42	67296-90J00	• Screw
43	67296-94300	• Screw
44	67296-95600	• Screw
45	67296-95610	• Screw
46	67297-95600	• Washer
47	68165-16800-13L	• Emblem
48	09100-98232	• Bolt
49	09126-95033	• Screw
50	09140-06020	• Nut
51	09160-06104	• Washer
51a	37850-90J00	• Spacer
52	36620-93J00	Wire Assy, Remote Control
52	36620-93J50	Wire Assy, Remote Control
52	36620-93J60	Wire Assy, Remote Control
52a	09481-10501	• Fuse (10a)
53	67140-95600	Attachment, Twin Remocon Kit
54	67320-93J00	Cable, Remocon 8f (2.4m)
54	67320-93J10	Cable, Remocon 10f (3.1m)
54	67320-93J20	Cable, Remocon 12f (3.7m)
54	67320-93J30	Cable, Remocon 14f (4.2m)
54	67320-93J40	Cable, Remocon 16f (4.9m)
54	67320-93J50	Cable, Remocon 18f (5.4m)
54	67320-93J60	Cable, Remocon 20f (6.0m)
54	67320-93J70	Cable, Remocon 22f (6.7m)
54	67320-93J80	Cable, Remocon 24f (7.3m)

DF90 115 E01 057
REMOTE CONTROL (3)-C

FIG.58

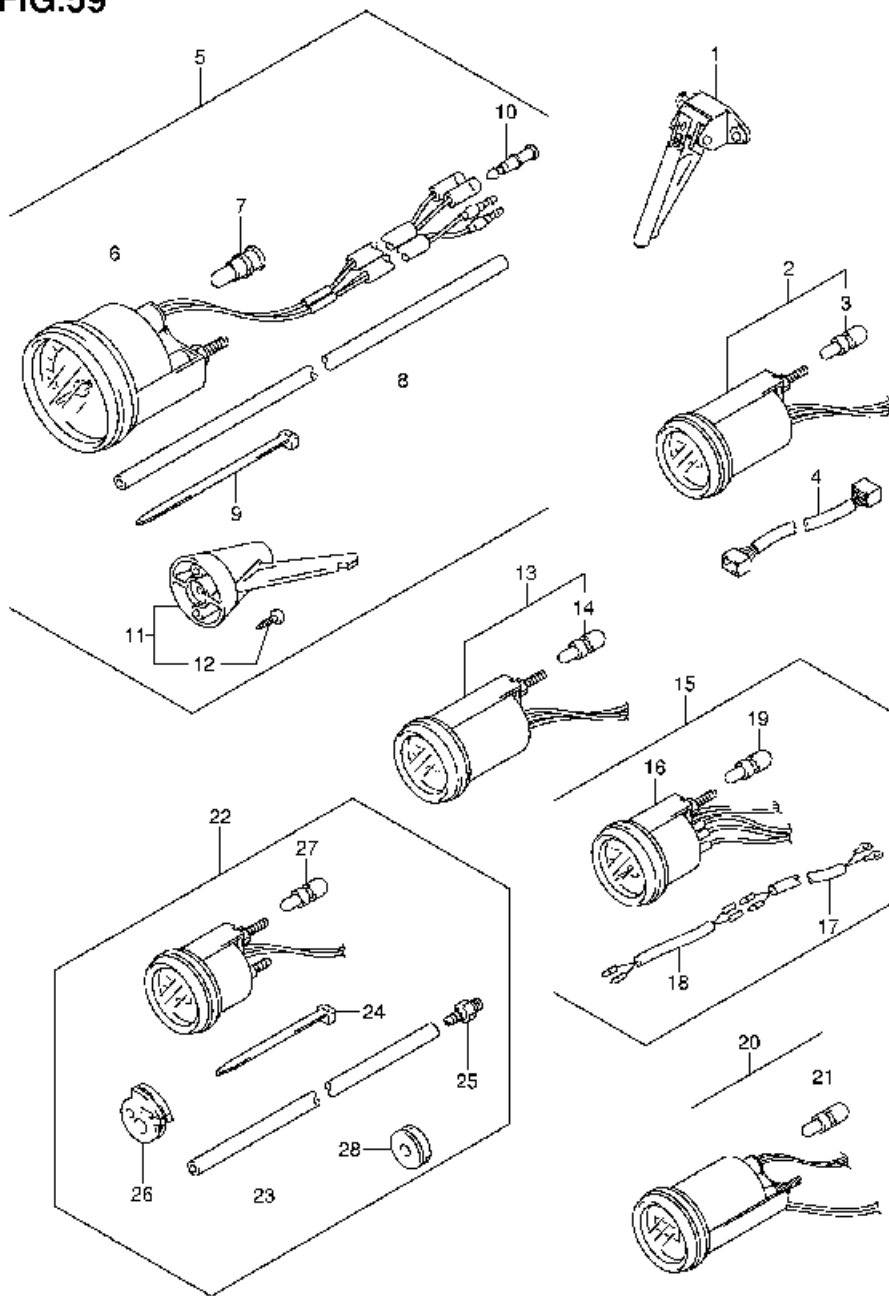


DRAG LINK

N° Réf.	N° Pièce	Désignation
1	41161-94400	Seal, Steering Cable
2	6701-90J00	Link, Drag
3	6721-99E00	• Spacer
4	6725-99E00	• Bolt, Drag Link
5	6726-99E00	• Nut
6	6728-99E00	• Washer
7	6749-90J01	Connector, Remoon Cable
8	09385-06012	Clip
9	09160-06025	Washer (7x12x1.0)
10	67600-90J00	Kit, Tie Rod
11	67631-90J00	• Bracket, Tie Rod
12	6725-99E10	• Bolt
13	6726-99E00	• Nut
14	09160-12081	• Bolt
15	09160-12066	• Washer
16	09180-09022	• Spacer

DF90 115 E01 058
DRAG TANK-C

FIG.59



DF90 115 E01 059
OPT:METER (1)-C

N° cliché: FIG59 Titre du cliché: OPT:METER (MODEL:01-04)

N° Réf.	N° Pièce	Désignation
1	34190-87D00	Sender Assy, Speedometer
2	34800-90J02	Meter Assy, Trim
3	09471-12180	• Bulb
4	36565-90J00	Wiring Term Gauge Ext
5	34102-92E00	Speedometer Set
5	34102-92E10	Speedometer Set
5	34102-92E20	Speedometer Set
6	34100-92E00	• Speedometer
6	34100-92E10	• Speedometer
6	34100-92E20	• Speedometer
7	09471-12179	• Bulb
8	34191-92E00	• Tube
9	09407-14407	• Band
10	36515-96J00	• Terminal, Resin
11	34190-95500	• Sender Assy, Speedometer
12	03112-06303	• Screw
13	34600-92E00	Meter, Voltage
14	09471-12180	• Bulb
15	34300-92E01	Gauge Assy, Fuel
16	34300-92E01	• Gauge, Fuel
17	34310-92E00	• Lead, Fuel Gauge
18	34360-92E00	• Adapter, Fuel Gauge
19	09471-12180	• Bulb
20	34500-92E00	Meter Assy, Hour
21	09471-12180	• Bulb
22	34850-92E00	Gauge Assy, Water Pressure
23	34191-92E00	• Tube
24	09407-14407	• Band
25	34652-92E00	• Union
26	36565-95J00	• Grommet
27	09471-12180	• Bulb
28	09320-08028	• Grommet

FIG.60

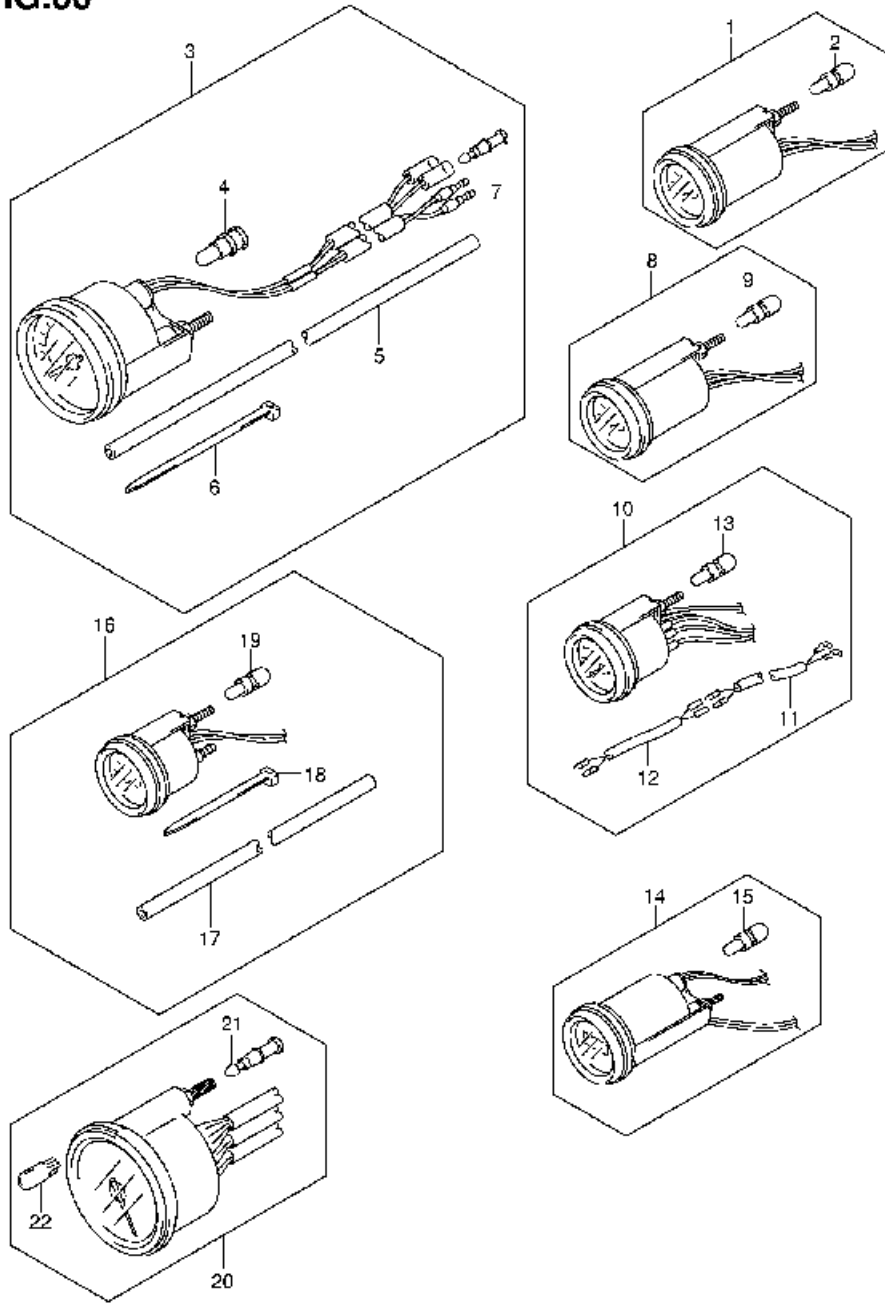


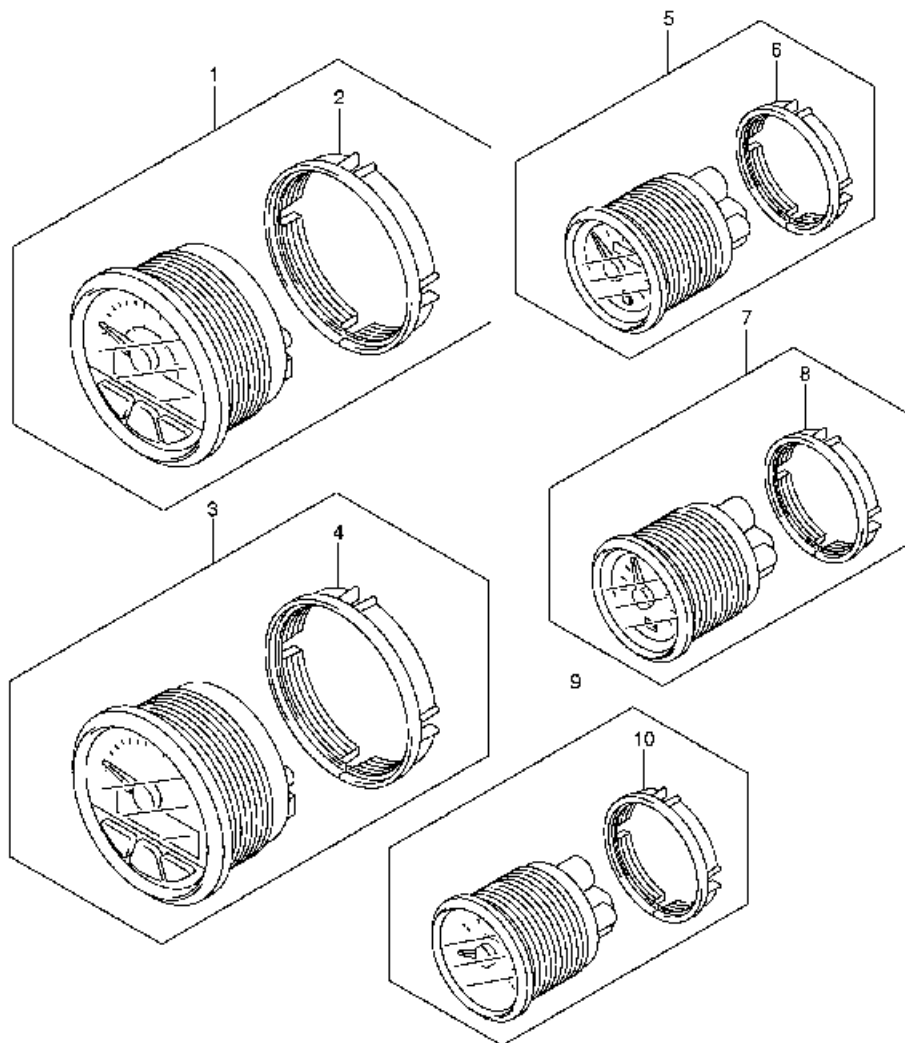
FIG60 OPT:METER (MODEL:05-)

N° Réf.	N° Pièce	Désignation
1	34800-93J00	Meter Assy, Trim
1	34800-93J11	Meter Assy, Trim
2	09471-12103	• Bulb
3	34100-93J00	Speedometer Assy
3	34100-93J11	Speedometer Assy
3	34100-93J20	Speedometer Assy
3	34100-93J31	Speedometer Assy
3	34100-93J40	Speedometer Assy
3	34100-93J51	Speedometer Assy
3	34100-93J60	Speedometer Assy
4	09471-12028	• Bulb
5	34191-92E00	• Tube
6	09407-14407	• Band
7	36615-96300	• Terminal, Resin
8	34600-96J00	Meter Assy, Voltage
8	34600-93J11	Meter Assy, Voltage
9	09471-12103	• Bulb
10	34300-93J00	Gauge Assy, Fuel
10	34300-93J11	Gauge Assy, Fuel
11	34310-92E00	• Lead, Fuel Gauge
12	34360-92E00	• Adapter, Fuel Gauge
13	09471-12103	• Bulb
14	34500-93J00	Meter Assy, Hour
14	34500-93J11	Meter Assy, Hour
15	09471-12103	• Bulb
16	34650-93J20	Gauge Assy, Water Pressure
16	34650-93J31	Gauge Assy, Water Pressure
17	34191-92E00	• Tube
18	09407-14407	• Band
18	09471-12103	• Bulb
20	34200-93J00	Tachometer Assy, With Monitor
20	34200-93J11	Tachometer Assy, With Monitor
21	36615-96300	• Terminal, Resin
22	09471-12077	• Bulb

DF90 115 E01 060
OPT:METER (2)-C

N° Réf.	N° Pièce	Designation
1	34100-98J00	Speedometer Assy
1	34100-98J10	Speedometer Assy
1	34100-98J20	Speedometer Assy
1	34100-98J30	Speedometer Assy
1	34100-98J40	Speedometer Assy
2	34112-98J00	- Nut
3	34200-98J00	Tachometer Assy
3	34200-98J10	Tachometer Assy
4	34115-98J00	- Nut
5	34300-98J00	Gauge Assy, Fuel
5	34300-98J10	Gauge Assy, Fuel
6	34815-98J00	- Nut
7	34600-98J00	Meter Assy, Voltage
7	34600-98J10	Meter Assy, Voltage
8	34815-98J00	- Nut
9	34800-98J00	Meter Assy, Trim
9	34800-98J10	Meter Assy, Trim
10	34815-98J00	- Nut

FIG.61



DF90 115 E01 061
OPT:METER (3)-C

FIG.62

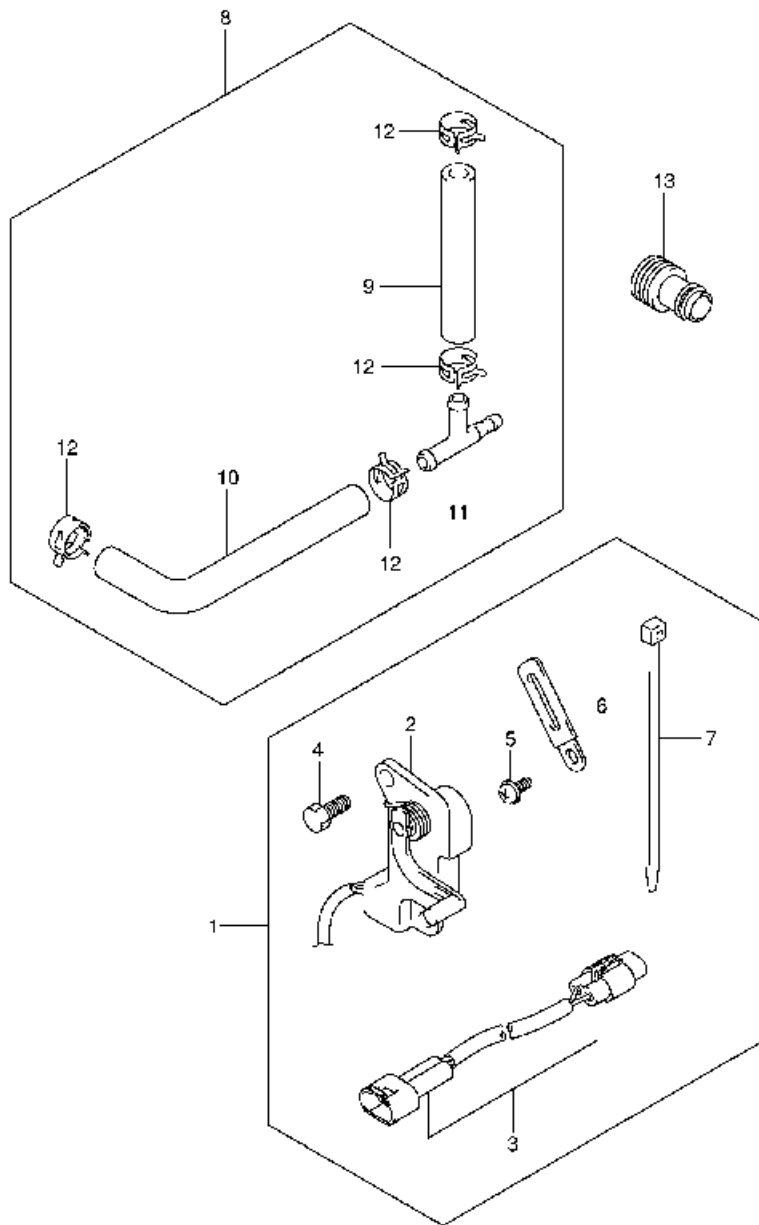


FIG62 OPT:TRIM SENDER

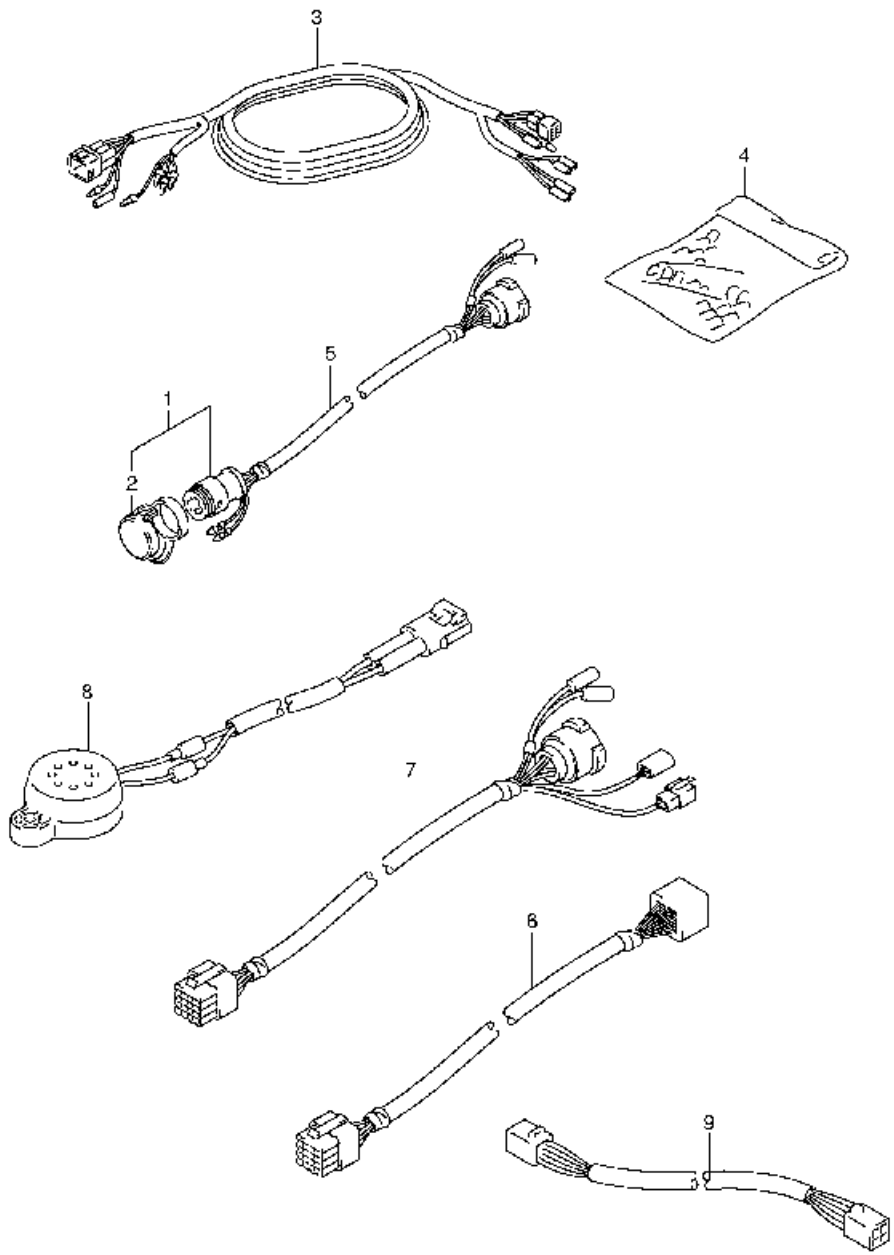
N° Réf.	N° Pièce	Désignation
1	34804-99E00	Sender Set, Trim
2	34801-99E01	• Trim, Sender
3	35583-90J00	• Wirt. Trim Meter Ext & Adp
4	09100-06113	• Bolt (6x16)
5	09125-06063	• Screw (6x10)
6	09404-05332	• Clamp
7	09407-14403	• Clamp
7	09407-14407	• Clamp
8	34660-90J00	Water Press Gauge Sub Kit
9	09352-50903-600	• Hose
10	09352-50903-600	• Hose
11	09387-96006	• 3 Way
12	17814-90J00	• Clip
13	17917-99E00	Connector, Flush Water

DF90 115 E01 062
OPT:TRIM SENDER-C

FIG.63

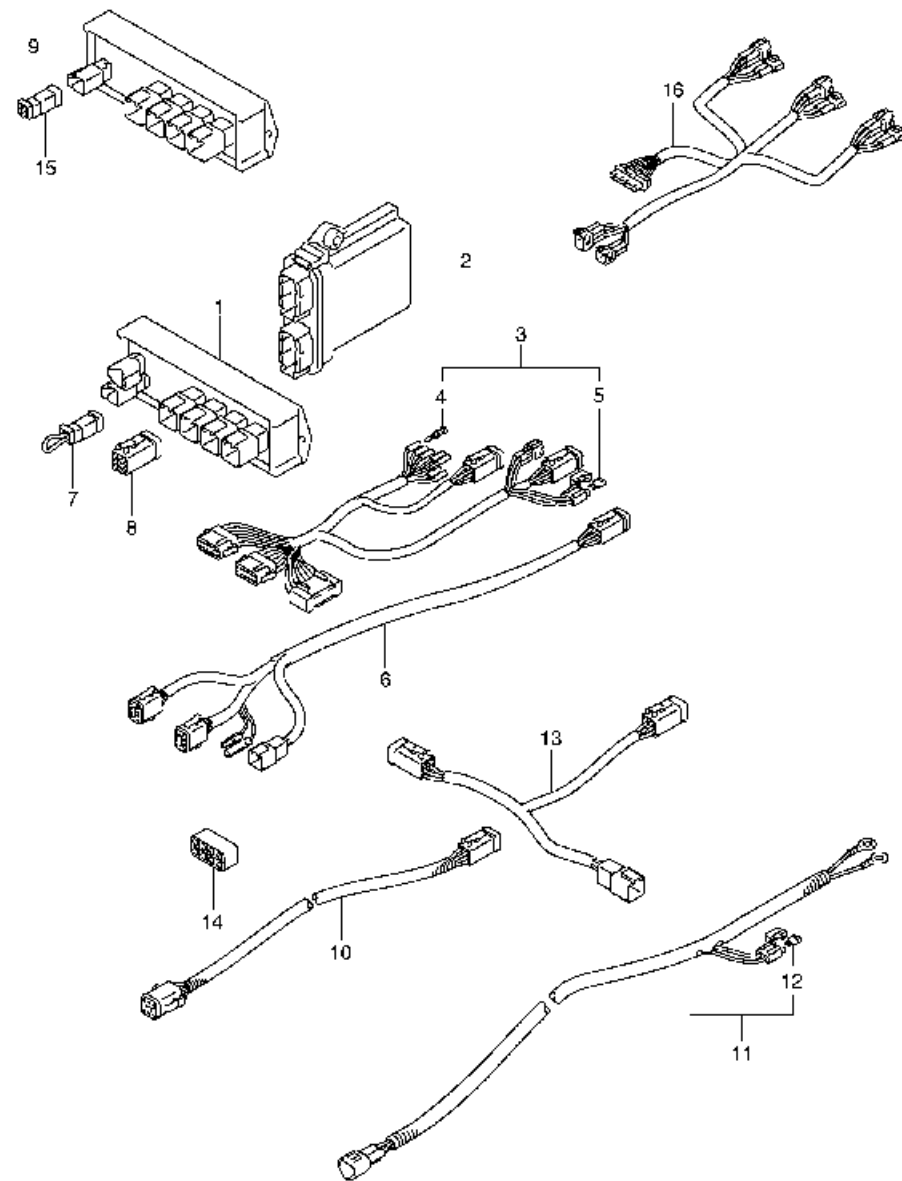
FIG63 OPT:HARNESS

N° Réf.	N° Pièce	Désignation
1	36620-87D00	Harness Assy, Extension (I)
1	36620-95302	Harness Assy, Extension (S)
2	36631-94300	- Clip
3	36660-94400	Wire, Sender Extension (I)
3	36660-94480	Wire, Sender Extension (S)
3	36660-94480	Wire, Monitor Gauge Extension
4	36990-87D00	Terminal & Sleeve Set
5	36620-92E00	Wire, Remocoon Ext
6	36620-93J10	Wire Assy, Remocoon Extension
6	36620-93J40	Wire Assy, Remocoon Extension
7	36620-93J00	Wire Assy, Remocoon Adapter
7	36620-93J30	Wire Assy, Remocoon Adapter
8	36500-93J00	Buzzer Assy, Warning
9	36660-92E00	Wire, Monitor Gauge Extension



DF90 115 E01 063
OPT:HARNESS (1)-C

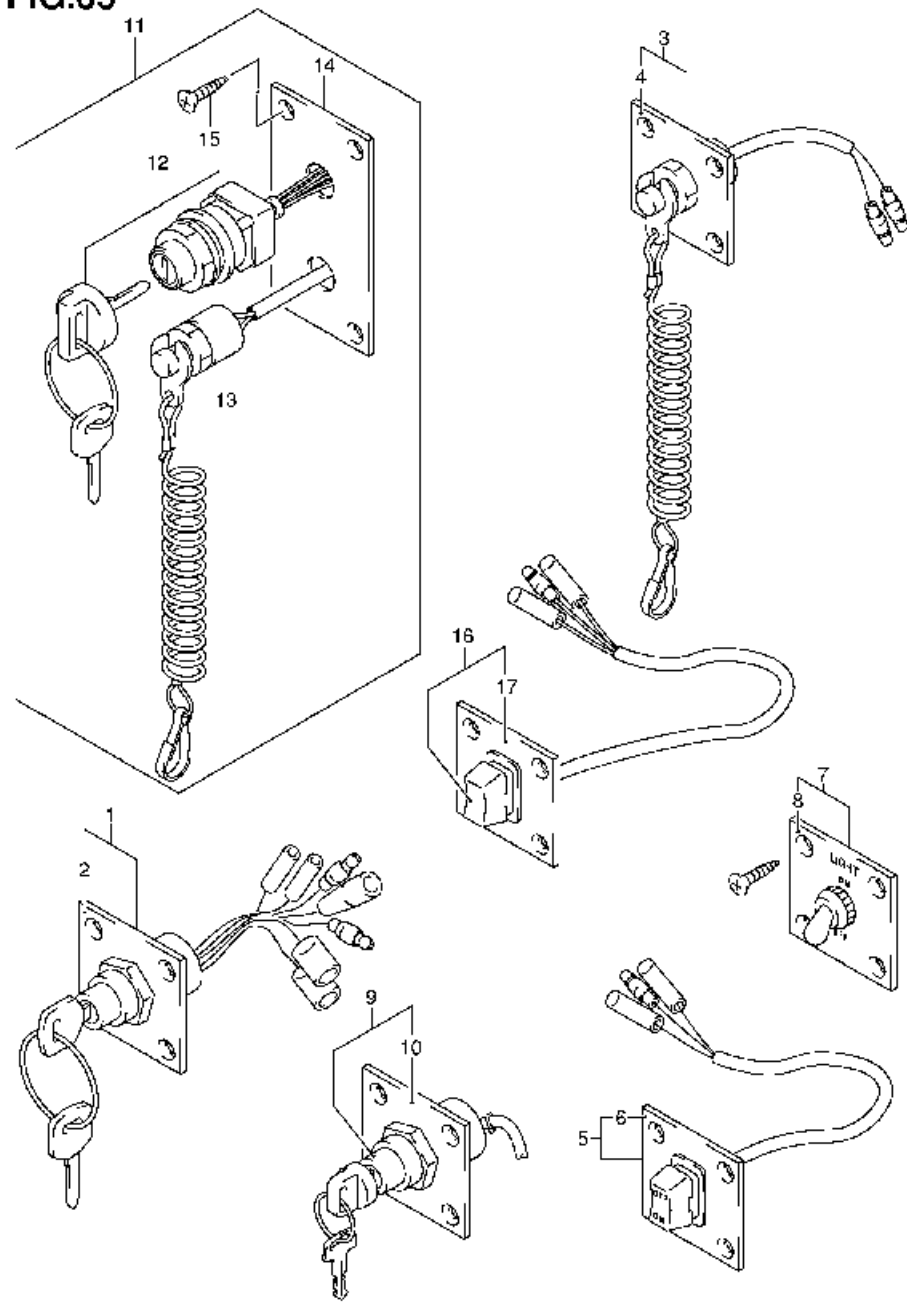
FIG.64



DF90 115 E01 064
OPT:HARNESS (2)-C

N° Réf.	N° Pièce	Désignation
1	34921-98J00	Unit, Active Hub
2	34922-98J00	Unit, Interface
3	35561-98J00	Harness Assy, Interface Unit
4	36615-96C00	- Terminal, Resin
5	09481-05501	- Fuse (5A)
6	36664-98J00	Harness Assy, 3" Gauge
7	36665-98J00	Wire, Jumper
8	36666-98J10	Cap, 6 Pin Connector
9	34921-98J10	Unit, Passive Hub
10	36662-98J00	Harness Assy, Hub S
10	36662-98J10	Harness Assy, Hub L
11	36663-98J00	Harness Assy, Active Hub Pwr S
11	36663-98J10	Harness Assy, Active Hub Pwr L
12	09481-05501	- Fuse (5A)
13	36664-98J10	Harness Assy, 2" Gauge
14	36666-98J00	Cap, 5 Pin Connector
15	36667-98J00	Cap, 2 Pin Connector
16	36661-93J00	Adapter, Interface Module

FIG.65

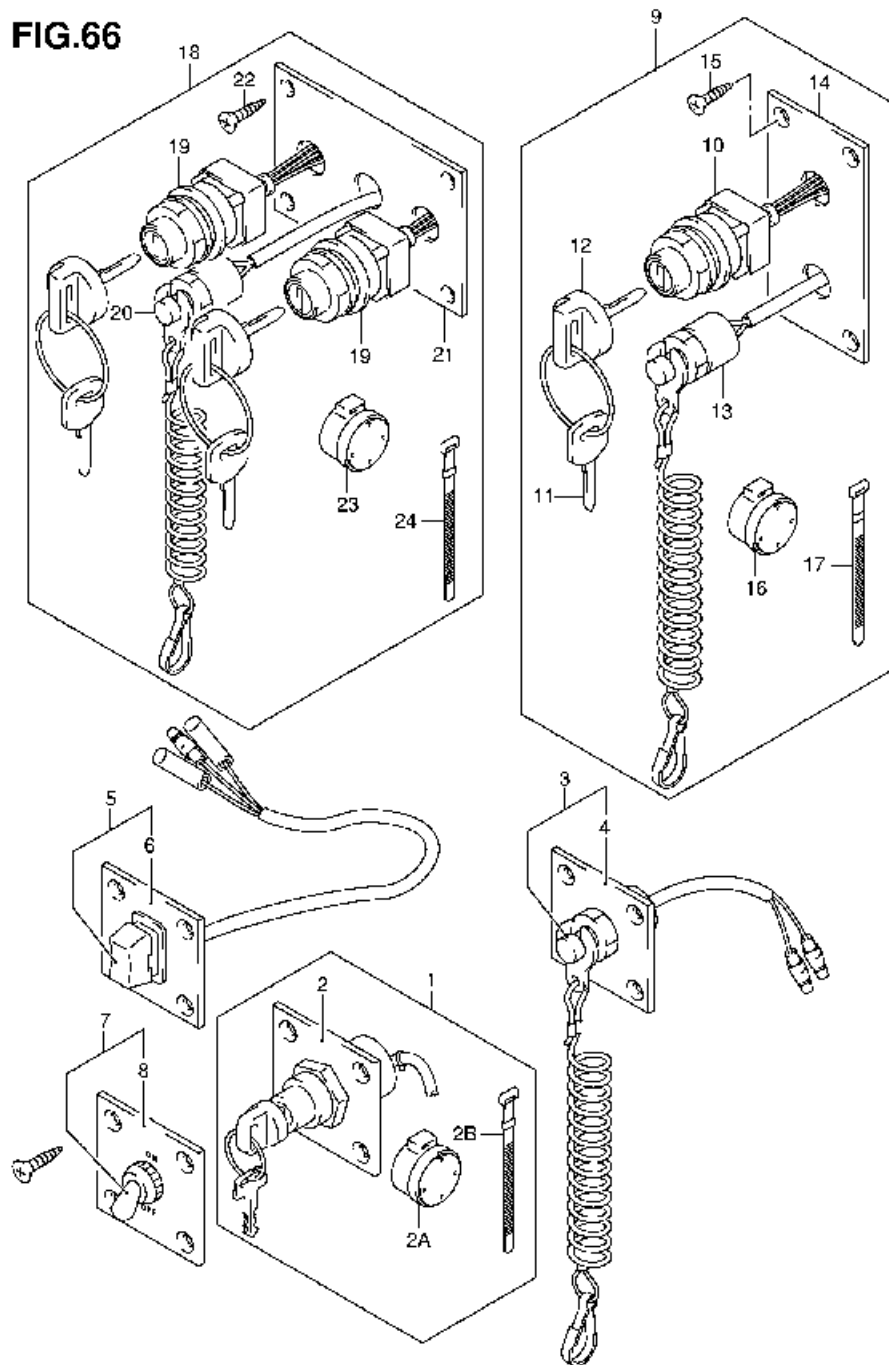


DF90 115 E01 065
OPT:SWITCH (1)-C

FIG65 OPT:SWITCH (MODEL:01-04)

N° Réf.	N° Pièce	Désignation
1	37100-92E00	Ignition Switch Set
2	37139-92E00	• Panel, Ignition Sw
3	37803-92E00	Emergency Switch Set
3	37803-99E00	Emergency Switch Set
4	37825-92E00	• Panel, Emergency Sw
4	37825-99E00	• Panel, Emergency Sw
5	37805-92E00	Pt Switch Set
6	37855-92E00	• Panel, Pt Sw
7	37210-92E00	Lighting Sw Set
8	37212-92E00	• Panel, Lighting Sw
9	37100-92E01	Ignition Switch Set
9	37100-99E00	Ignition Switch Set
10	37139-92E01	• Panel, Ignition Switch
10	37139-99E00	• Panel, Ignition Switch
11	37100-99E20	Panel Assy, Engine Sw
12	37110-93J00	• Switch Assy, Ignition
13	37820-92E00	• Switch Assy, Emergency
14	37139-99E20	• Panel
15	03121-05163	• Screw
16	37805-99E00	Panel Assy, Pt Sw
17	37855-99E00	• Panel

FIG.66

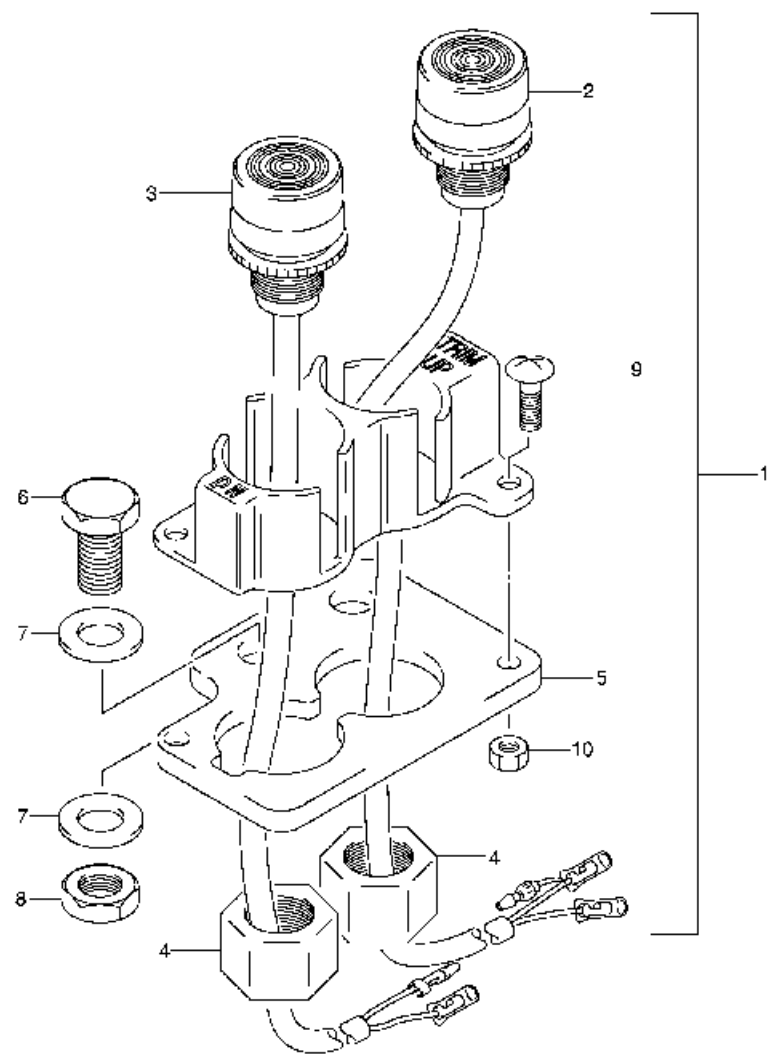


N° Réf.	N° Pièce	Désignation
1	37100-93J00	Panel Assy, Ignition Sw
1	37100-96J00	Panel Assy, Ignition Sw
2	37139-99E00	- Panel, Ignition Sw
2a	38500-93J90	- Buzzer Assy, Warning
2b	09407-08401	- Clamp, Buzzer
3	37820-93J00	Panel Assy, Emergency Sw
4	37825-99E00	- Panel, Emergency Sw
5	37805-93J00	Panel Assy, Pft Sw
6	37855-99E00	- Panel, Pft Sw
7	37210-93J00	Panel Assy, Lighting Sw
8	37212-93J00	- Panel, Lighting Sw
9	37100-93J20	Panel Assy, Engine Sw
9	37100-96J20	Panel Assy, Engine Sw
10	37110-93J00	- Switch Assy, Ignition
11	37141-99E00	-- Key (931)
11	37141-99E10	-- Key (932)
11	37141-99E20	-- Key (933)
11	37141-99E30	-- Key (934)
11	37141-99E40	-- Key (935)
11	37141-99E50	-- Key (936)
11	37141-99E60	-- Key (937)
11	37141-99E70	-- Key (938)
11	37141-99E80	-- Key (939)
11	37141-99E90	-- Key (940)
11	37141-99E40	-- Key (941)
11	37141-99E80	-- Key (942)
12	37143-99E00	-- Csb, Key
13	37820-93J00	- Switch Assy, Emergency
14	37139-99E00	- Panel
15	03121-0516A	- Screw
16	38500-93J90	- Buzzer Assy, Warning
17	09407-08401	- Clamp, Buzzer
18	37100-96J10	Panel Assy, Dual Engine Sw
19	37110-93J00	- Switch Assy, Ignition
20	37820-93J90	- Switch Assy, Emergency
21	37139-99E10	- Panel
22	03121-0516A	- Screw
23	38500-93J90	- Buzzer Assy, Warning
24	09407-08401	- Clamp, Buzzer

DF90 115 E01 066
OPT:SWITCH (2)-C

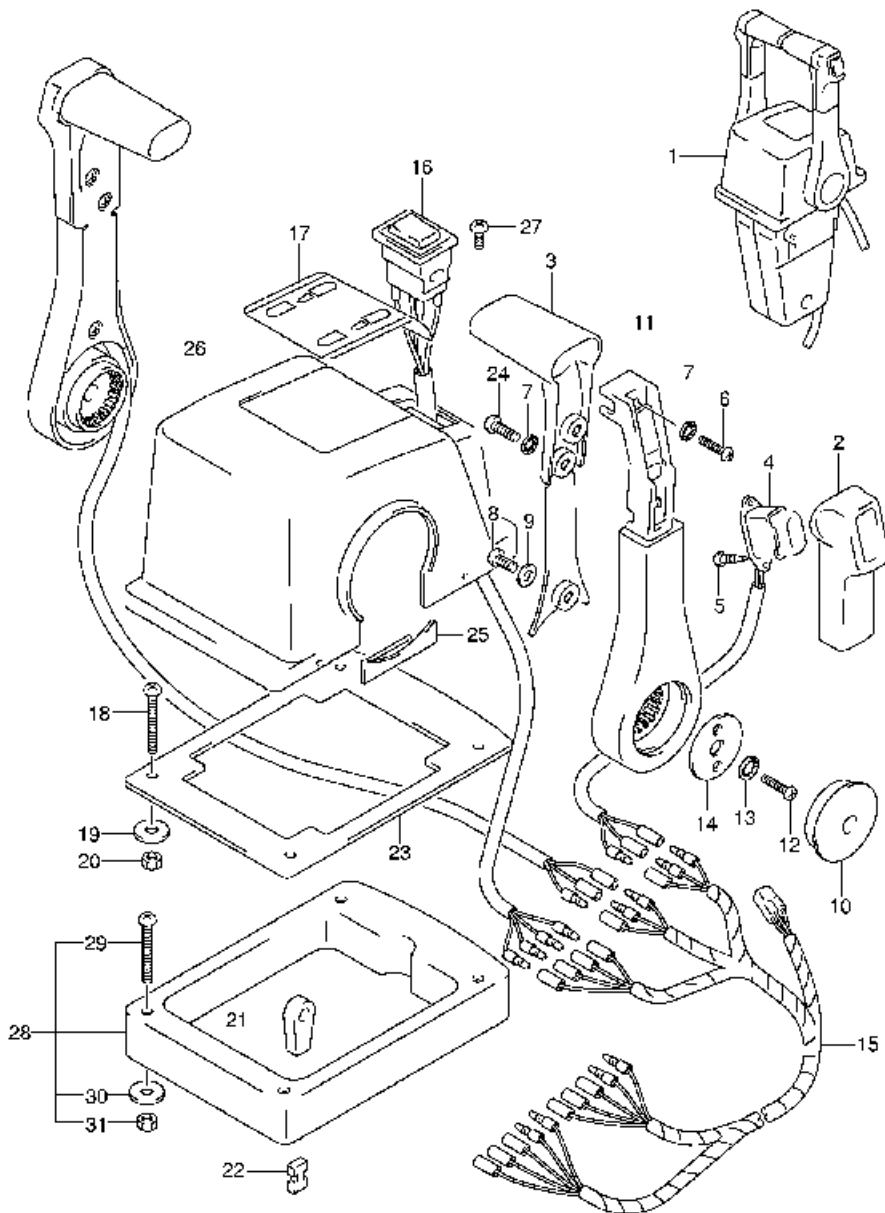
N° Réf.	N° Pièce	Désignation
1	37850-87003	Switch Assy, TR & Trim
2	37850-95324	- Switch Trim, Up
3	37870-95324	- Switch Trim, Dn
4	09159-14014	- Nut
5	37852-95211	- Plate, Trim Switch
6	09100-08232	- Bolt (8x30)
7	09160-08092	- Washer (8.5x16x1.2)
8	09142-08019	- Nut
9	02142-04127	- Screw
10	08310-00047	- Nut

FIG.67



DF90 115 E01 067
 OPT:TRIM SWITCH (MODEL:01-04)-C

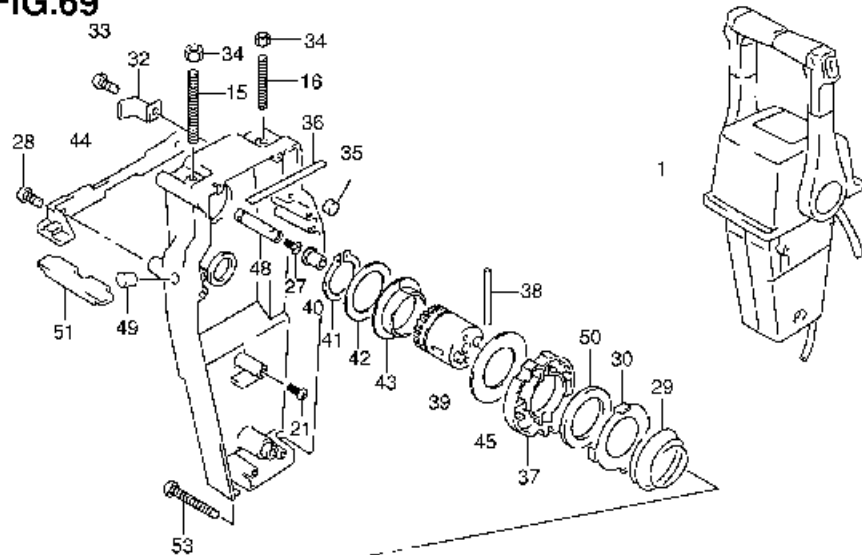
FIG.68



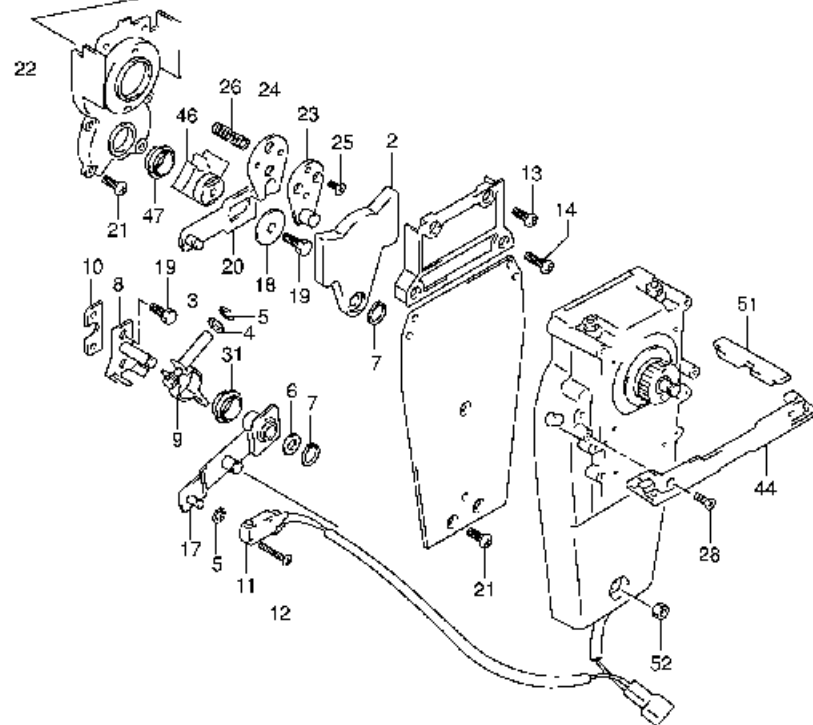
N° Réf.	N° Pièce	Désignation
1	67200-92E13	Remote Control Assy
1	67200-92E14	Remote Control Assy
1	67200-92E15	Remote Control Assy
1	67200-93J21	Remote Control Assy
1	67200-93J22	Remote Control Assy
2	67261-92E00	• Grip, No.1
2	67261-93J00	• Grip, No.1
3	67263-92E00	• Grip, No.2
3	67263-93J00	• Grip, No.2
4	37850-92E23	• Switch Assy, Ptt
4	37850-93J10	• Switch Assy, Ptt
5	67295-92E10	• Screw
6	67296-88D10	• Washer
7	67298-92E20	• Screw
8	67296-92E70	• Washer
9	67298-92E40	• Washer
10	67257-92E00	• Cap, Lever
11	67251-92E00	• Lever, Handle
11	67251-93J00	• Lever, Handle
12	67296-92E60	• Screw
13	67298-92E30	• Washer
14	67253-92E00	• Washer
15	36890-92E10	• Wire Harness
15	36890-93J10	• Wire
16	37220-92E00	• Switch Assy, Mode Changing
17	67283-92E00	• Decal
17	67282-93J00	• Decal
18	67296-92E30	• Screw
18	09160-95D24	• Washer
20	67287-92E00	• Nut
21	67273-95600	• End, Cable
22	67273-95600	• Spacer
23	67273-92E10	• Grommet
24	67295-92E00	• Screw
25	67271-92E00	• Cover
26	67211-93J10	• Cover
27	67296-92E70	• Screw
28	67500-93J10	Kit, Remoon Spacer Twin
29	09125-05135	• Screw
30	08160-05D29	• Washer
31	08140-05D05	• Nut

DF90 115 E01_068
OPT:TOP MOUNT DUAL (1)-C

FIG.69



N° Réf.	N° Pièce	Désignation
1	67200-92E13	Remote Control Assy, Twin
1	67200-92E14	Remote Control Assy, Twin
1	67200-92E15	Remote Control Assy, Twin
1	67200-93J21	Remote Control Assy, Twin
1	67200-93J22	Remote Control Assy, Twin
2	67223-92E00	• Dual Plate
3	67223-92E00	• Brake Adjust
4	67288-92E00	• Washer
5	67292-94300	• E Ring
6	67288-92E10	• Washer
7	67291-92E00	• Snap Ring
8	67221-92E00	• Shift Assy
9	67224-92E00	• Brake Arm Assy
10	67296-92E00	• Spacer
11	37721-92E10	• Switch Assy, Ntr
12	67296-92E10	• Screw
13	67296-88D10	• Screw
14	67296-92E20	• Screw
15	67226-92E00	• Bolt, Stopper Front
16	67226-92E10	• Bolt, Stopper Rr
17	67240-92E00	• Arm Assy, Throttle
18	67228-92E00	• Washer
19	67286-92E00	• Bolt
20	67230-92E00	• Arm Assy, Shift
21	09125-05042	• Screw
22	67234-92E00	• Case, Gear
23	67245-92E00	• Lever Assy, Throttle
24	67227-92E00	• Stopper
25	09125-95006	• Screw
26	67225-92E00	• Spring
27	09125-04004	• Screw
28	67296-95610	• Screw
29	67233-92E00	• Spring
30	67235-92E00	• Plate, Shift Lock
31	67232-95620	• Bush
32	67295-92E00	• Bracket
33	67296-88D10	• Screw
34	09140-06020	• Nut
35	67296-92E00	• Washer
36	67237-92E01	• Spring
37	67238-92E00	• Gear, Drive
38	67239-92E00	• Pin
39	67246-92E00	• Shaft, Drive
40	67250-92E00	• Bush
41	67291-92E10	• Snap Ring
42	67254-92E10	• Washer
43	67252-92E10	• Bush
44	67274-92E00	• Flange
45	67253-95600	• Washer
46	67231-92E00	• Gear, Shift
47	67232-95600	• Bush
48	67241-92E00	• Rod, Free Acc
49	67243-92E00	• Grommet
50	67239-92E10	• Plate, Shift Pin
51	67272-92E10	• Seal, Flange
52	67267-92E10	• Nut
53	67296-92E80	• Screw



DF90 115 E01 069
OPT:TOP MOUNT DUAL (2)-C

FIG.70

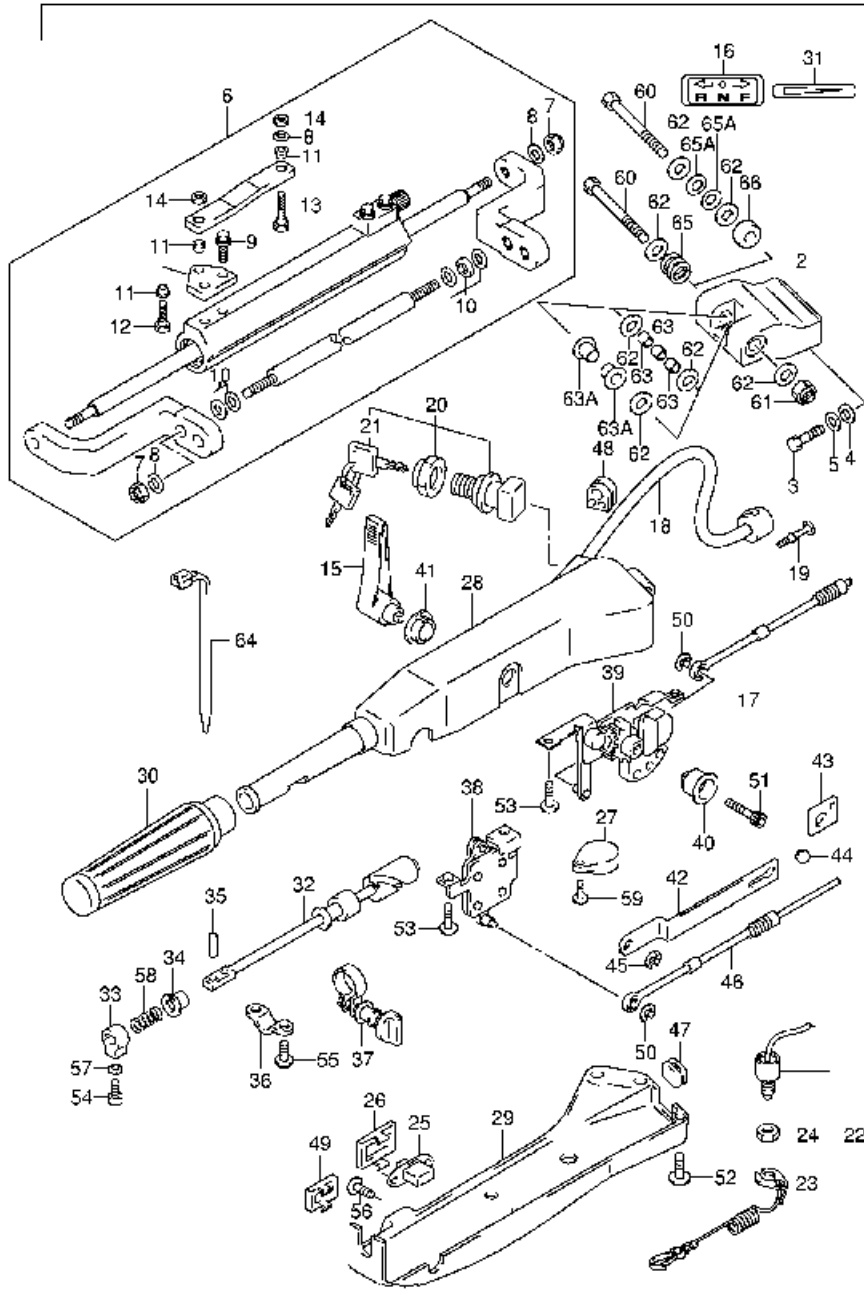
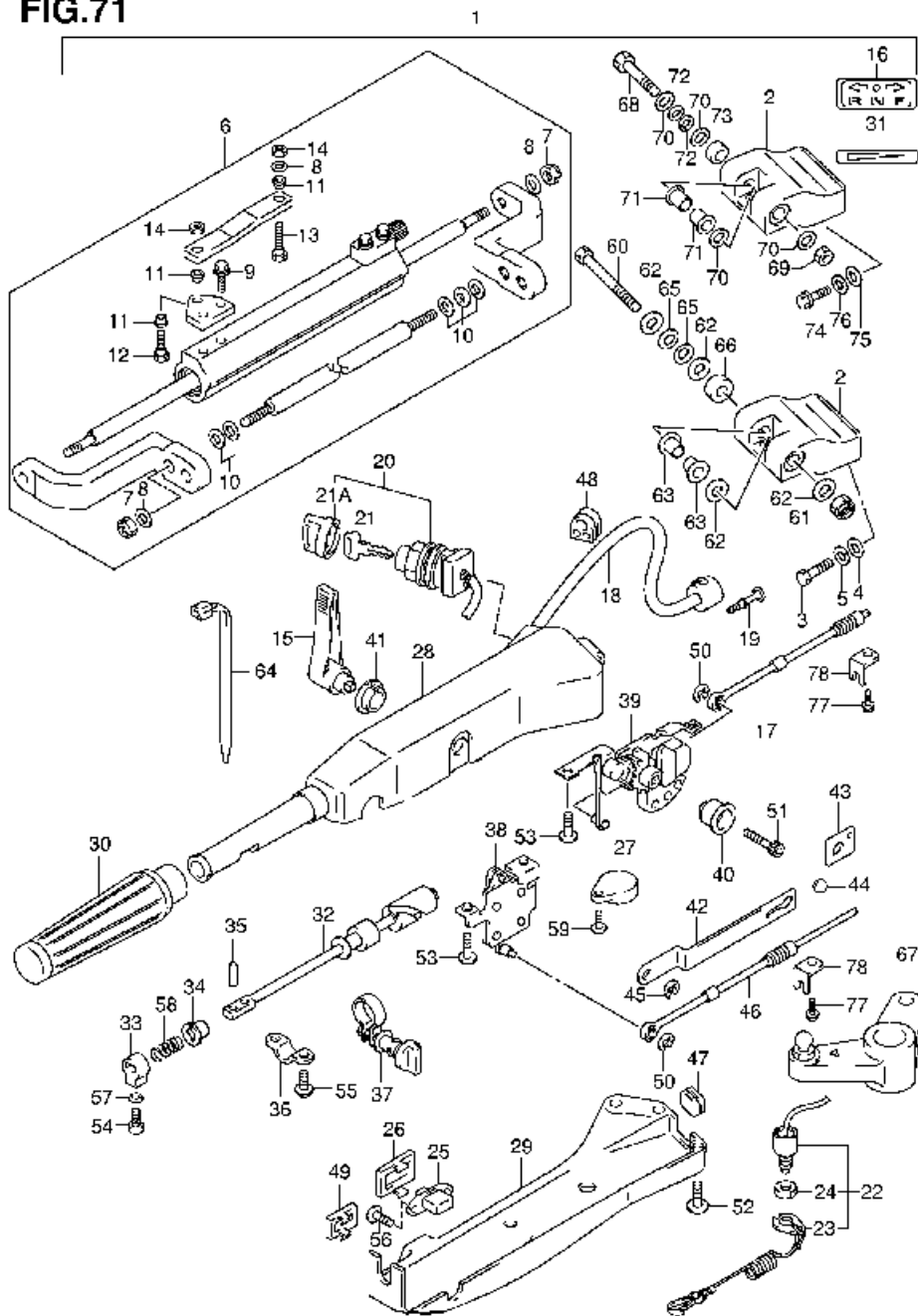


FIG.70 OPT:TILLER HANDLE (MODEL:01-03)

N° Réf.	N° Pièce	Désignation
1	63002-90J01-0EP	Kit, Tiller Handle (black)
2	43761-90J00-0EP	• Bracket, Tiller Handle (black)
2	43761-90J01-0EP	• Bracket, Tiller Handle (black)
3	43769-90J00	• Bolt, Tiller Handle
4	09160-12066	• Washer
5	09160-12005	• Washer, Lock
6	43770-90J00	• Damper Assy, Steering
7	43778-90J00	• Nut, Rod
8	43779-90J00	• Washer, Rod
9	67725-90J00	• Bot, Drag Link Plate
10	43781-90J00	• Spacer/washer Set
11	67734-90J00	• Bush, Drag Link
12	67725-90J10	• Bot, Drag Link
13	67725-90J20	• Bot, Drag Link
14	67725-90J00	• Nut, Drag Link
15	21111-87J00-0EP	• Lever, Shift (black)
16	21131-96010	• Mark, Shift
17	23230-90J00	• Cable, Shift
18	36620-90J00	• Wire Assy, Handle
19	36615-96000	• Terminal
20	37110-87J01	• Switch Assy, Ignition
21	37141-92E00	• Key (11)
21	37141-92E10	• Key (12)
21	37141-92E20	• Key (13)
21	37141-92E30	• Key (14)
21	37141-92E40	• Key (15)
21	37141-92E50	• Key (16)
21	37141-92E60	• Key (17)
21	37141-92E70	• Key (18)
21	37141-92E80	• Key (19)
21	37141-92E90	• Key (20)
22	37620-87J00	• Switch Assy, Emergency
23	37623-92E00	• Plate
24	37626-92E00	• Nut
25	37659-94010	• Switch Assy, Trim
26	37869-95990	• Cap
27	38500-92J50	• Buzzer
28	63111-87J03-0EP	• Housing, Tiller Handle
29	63121-87J01	• Cover, Under
30	63109-93E30	• Grip, Handle
31	63215-93110	• Mark, Handle Grip
32	63221-87J00	• Shaft, Throttle
33	63223-92D00	• Stopper, Handle Rod
34	63229-93D00	• Bush, Handle Rod
35	63227-93D00	• Pin, Handle Rod
36	63235-87J00	• Plate, Throttle Shaft
37	63246-87J00	• Adjuster, Throttle
38	63250-87J01	• Arm Assy, Throttle
39	63260-87J02	• Gear Assy, Shift
40	63261-87J00	• Bush, Shift Gear
41	63262-87J00	• Bush, Shift Lever
42	63271-87J00	• Plate, Lock
43	63272-87J00	• Plate, Ball Guide
44	63273-87J00	• Ball
45	63274-87J00	• E Ring
46	63610-90J00	• Cable, Throttle
47	63626-99E00	• Grommet, Throttle Cable
48	63626-99E01	• Grommet, Wire Harness
49	67263-99E00	• Cover, Trim Switch
50	67292-87J00	• E Ring
51	09106-06999	• Bolt (8x50)
52	09126-05047	• Screw (6x14)
53	09126-06089	• Screw (6x12)
54	09126-06015	• Screw (6x23)
55	09136-05008	• Screw (6x12)
56	09139-02003	• Screw (2x6)
57	09163-06001	• Washer, Lock (6.4x12x0.5)
58	09440-12027	• Spring
59	02142-95207	• Screw
60	09100-10284	• Bolt (10x80)
61	09159-10050	• Nut
62	09160-10097	• Washer (10.5x22x2.5)
62	09160-10114	• Bush
63	09306-10009	• Bush
63A	09306-10020	• Bush
64	09407-14403	• Clamp
65	09440-22008	• Spring
65A	09164-10013	• Washer, Wave
66	43768-90J00	• Spacer

DF90 115 E01 070
OPT:TILLER HANDLE (1)-C

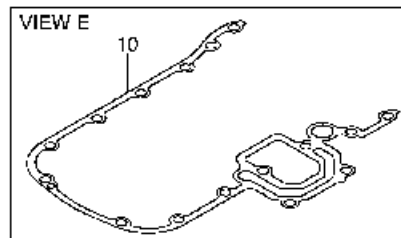
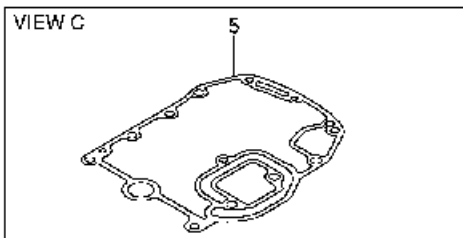
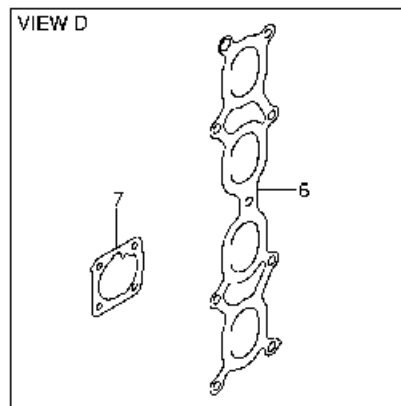
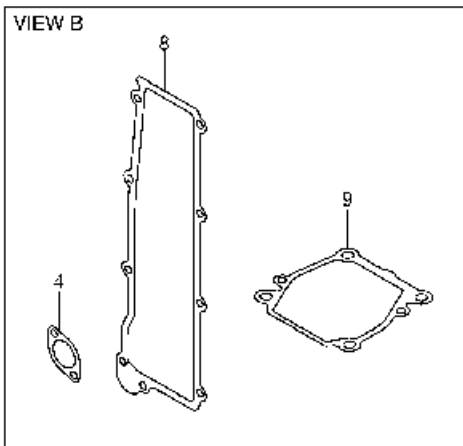
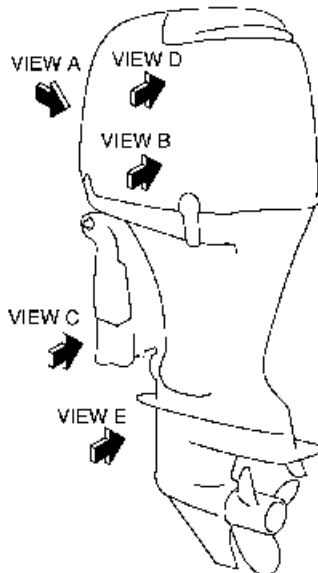
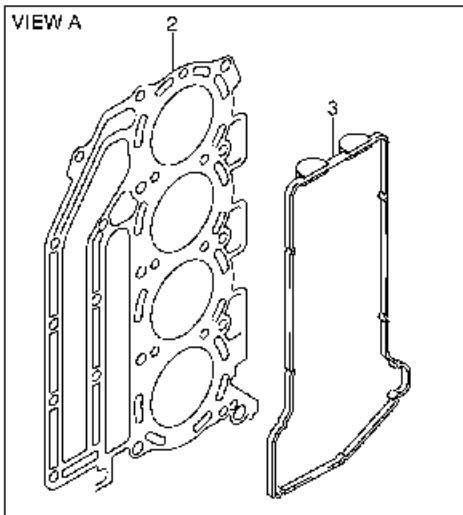
FIG.71



N° Réf.	N° Pièce	Désignation
1	63002-90J03-OEP	Kit, Tiller Handle (black)
1	63002-90J21-OEP	Kit, Tiller Handle (black)
1	63002-90J23-OEP	Kit, Tiller Handle (black)
2	43761-90J01-OEP	Bracket, Tiller Handle (black)
2	43761-90J02-OEP	Bracket, Tiller Handle (black)
3	43769-90J00	Bolt, Tiller Handle
4	09165-12066	Washer
5	29162-93J20	Washer, Lock
6	43770-90J00	Damper Assy, Steering
7	43778-90J00	Nut, Rod
8	43779-90J00	Washer, Rod
9	67725-90J00	Bolt, Drag Link Plate
10	43781-90J00	Spacer/washer Set
11	67734-90J00	Bush, Drag Link
12	67725-90J10	Bolt, Drag Link
13	67725-90J20	Bolt, Drag Link
14	67725-90J00	Nut, Drag Link
15	21111-87J10-OEP	Lever, Shift (black)
16	21131-96010	Mark, Shift
17	23230-90J00	Cable, Shift
18	36620-90J00	Wire Assy, Handle
18	36620-90J20	Wire Assy, Handle
19	36615-96300	Terminal
20	37110-87J20	Switch Assy, Ignition
21	37141-99820	Key (S31)
21	37141-99810	Key (S32)
21	37141-99820	Key (S33)
21	37141-99830	Key (S34)
21	37141-99840	Key (S35)
21	37141-99850	Key (S36)
21	37141-99860	Key (S37)
21	37141-99870	Key (S38)
21	37141-99880	Key (S39)
21	37141-99890	Key (S40)
21	37141-998A0	Key (S41)
21	37141-998B0	Key (S42)
21A	37143-99800	Cap, Key
22	37820-87J00	Switch Assy, Emergency
23	37823-92E01	Plate
24	37829-92E00	Nut
25	37860-94E10	Switch Assy, Trim
26	37869-85E90	Cap
27	38500-92X50	Buzzer
28	63111-87J03-OEP	Housing, Tiller Handle
28	63111-87J10-OEP	Housing, Tiller Handle (black)
29	63121-87J02	Cover, Under
30	63210-93E30	Grip, Handle
31	63215-93110	Mark, Handle Grip
32	63221-87J00	Shaft, Throttle
33	63223-92D00	Stopper, Handle Rod
34	63225-93200	Bush, Handle Rod
35	63227-93200	Pin, Handle Rod
36	63235-87J00	Plate, Throttle Shaft
37	63240-87J00	Adjuster, Throttle
38	63250-87J01	Arm Assy, Throttle
39	63260-87J02	Gear Assy, Shift
40	63261-87J00	Bush, Shift Gear
41	63262-87J00	Bush, Shift Lever
42	63271-87J00	Plate, Lock
43	63272-87J00	Plate, Ball Guide
44	63273-87J00	Ball
45	63274-87J00	E Ring
46	63810-90J00	Cable, Throttle
47	63825-99E00	Grommet, Throttle Cable
48	63826-99E01	Grommet, Wire Harness
49	67263-99E00	Cover, Trim Switch
50	67292-87J00	E Ring
51	09106-89099	Bolt (8x50)
52	09125-05047	Screw (5x14)
53	09125-96989	Screw (6x12)
54	09126-06015	Screw (6x23)
55	09136-05008	Screw (5x12)
56	09158-02003	Screw (2x6)
57	09163-96001	Washer, Lock (6.4x12x0.5)
58	09440-12027	Spring
59	02142-05207	Screw
60	09100-10284	Bolt (10x80)
61	09159-10050	Nut
62	09160-10114	Washer (10.5x22x1.5)
63	09306-10020	Bush
64	09407-14403	Clamp
65	09164-10013	Washer, Wave
66	43769-90J00	Spacer
67	19140-90J10	Lever, Throttle
68	09100-10264	Bolt, Tiller Handle Pivot
69	09159-10050	Nut, Tiller Handle Pivot
70	09160-10114	Washer, Tiller Handle Pivot
71	09306-10020	Bush, Tiller Handle Pivot
72	09164-10016	Washer, Tiller Handle Spr
73	43769-90J01	Spacer, Tiller Handle
74	43769-90J00	Bolt, Tiller Handle
75	09160-12066	Washer
76	29162-93J20	Washer, Lock
77	63611-87J00	Bolt, Clamp Bracket
78	63612-87J00	Bracket, Clamp

DF90 115 E01_071
OPT:TILLER HANDLE (2)-C

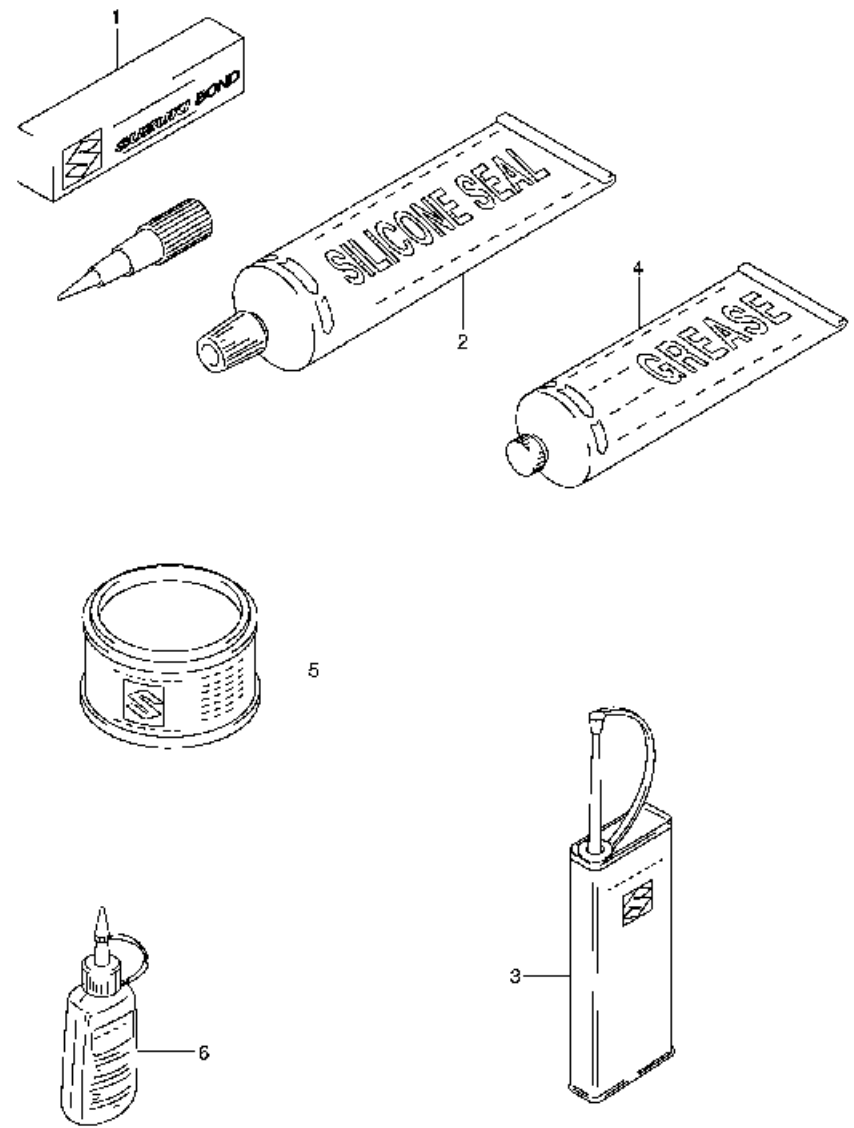
FIG.72



N° Réf.	N° Pièce	Désignation
1	11400-90804	Gasket Set
1	11410-90820	Gasket Set
2	11141-90301	- Gasket, Cyl Head
3	11189-90300	- Gasket, Cyl Head Cover
4	11265-87E10	- Gasket, Protection Cover
5	11499-90300	- Gasket, Oil Pan
6	13119-90300	- Gasket, Intake Manifold
7	13421-90300	- Gasket, Throttle Body
8	14151-90300	- Gasket, Rectifier
9	17472-87E10	- Gasket, Pump Case Panel
10	51211-90310	- Gasket, Engine Holder
10	51211-90J21	- Gasket, Engine Holder

DF90 115 E01 072
OPT:GASKET SET-C

FIG.73



N° Réf.	N° Pièce	Désignation
1	99000-31010	Liquid Gasket
2	99000-31100	Liquid Gasket No.1212c Silicon
3	99000-32040	Thread Lock No.1401
4	99000-25161	Grease, Water Resistant
5	99000-25011	Super Grease (a)no.3
6	99000-32050	Thread Lock No.1342
6	99000-32030	Thread Lock No.1333b
7	99011-9000-051	Manual, Owner's
7	99011-9001-051	Manual, Owner's
7	99011-9002-091	Manual, Owner's
7	99011-9003-051	Manual, Owner's
7	99011-9004-051	Manual, Owner's
7	99011-9005-091	Manual, Owner's
7	99011-9001-01H	Manual, Owner's
7	99011-9002-01H	Manual, Owner's
7	99011-9003-01H	Manual, Owner's
7	99011-9004-01H	Manual, Owner's
7	99011-9005-01T	Manual, Owner's
7	99011-9006-054	Manual, Owner's
7	99011-9007-054	Manual, Owner's
7	99011-9002-04B	Manual, Owner's
7	99011-9003-04B	Manual, Owner's
7	99011-9004-04B	Manual, Owner's
7	99011-9005-04B	Manual, Owner's
7	99011-9006-04B	Manual, Owner's
7	99011-9007-059	Manual, Owner's

DF90 115 E01 073
OPTIONAL-C

Ce document à été crée avec Win2pdf disponible à <http://www.win2pdf.com/fr>
La version non enregistrée de Win2pdf est uniquement pour évaluation ou à usage non commercial.