

SUZUKI

PARTS CATALOGUE

DF100/115

DF100T

DF115T

DF115Z



OUTBOARD MOTOR

2011-4

1ST EDITION

PREFACE

When it becomes necessary to replace parts on SUZUKI OUTBOARD MOTORS, always use SUZUKI GENUINE PARTS which have passed a strict inspection which guarantees quality and performance.

This parts catalogue covers the list of all service parts for SUZUKI DF100/115 production 2011.

INSTRUCTIONS FOR QUOTING THE CATALOGUE

1. DIMENSIONS

Dimensions of the parts in this catalogue are indicated in unit millimeters.

2. ABBREVIATIONS

Abbreviations used in this catalogue are as follows:

AR	: As required	NT	: Number of teeth
ASSY	: Assembly	OPT	: Optional
E.NO.	: Engine number	OS	: Over size
F.NO.	: Frame number	STD	: Standard
D	: Diameter of material	T	: Thickness
ID	: Inside diameter	US	: Under size
OD	: Outside diameter	W	: Width
L	: Length	W/	: with
LH(PORT)	: Left hand side	L,X	: Transom type
RH(STBD)	: Right hand side	SUS	: Stainless steel
~123456	: Up to E.NO. 11502F-123456	PTT	: Power trim and tilt
123456~	: From E.NO. 11502F-123456		

12 x 34 x 5.6..... Figures in the description column
| | | show the dimensions of parts.
ID OD T(or W, L)

→12345-56781 (Parts No.) : indicates that the parts number was changed to 12345-56781 and the new parts are interchangeable with the former ones but the former ones are not interchangeable with new ones.

←12345-56781 (Parts No.) : indicates that the former and new parts are interchangeable with each other and both are usable.

3. INNER PARTS OF ASSEMBLY

Part name with a dot (.) in front as shown in the description column indicates the component of the assembly also available individually.

4. MODIFICATION NOTICE

A parts bulletin will be sent to you on all occasions when changes in parts occur, including interchangeable modifications between new parts and old ones.

5. NOTE

5-1. There are some different parts from those of production models among spare parts for the administrative reasons and common use of them with other models.

5-2. In respect of rubber hoses and vinyl tubes, please be sure to use them by cutting off according to the length mentioned on parts catalogue or what is actually required on the vehicle.

5-3. Note that the drawings on the illustration page are for ready reference of spare parts number, not to be used as an assembly manual.
When assembling, use "SUZUKI SERVICE MANUAL".

6. MODEL NAME AND ENGINE NUMBER

<u>MODEL</u>	<u>DESTINATION</u>	<u>TYPE</u>	<u>TRANSOM</u>	<u>ENGINE NO.</u>
DF100T	E01, E40	10002F	L, X	10002F-210001~
DF115T	E01, E40	11502F	L, X	11502F-210001~
DF115Z	E01, E40	11502Z	L, X	11502Z-210001~

MILLIMETER → INCH CONVERSION CHART
 TABLEAU DE CONVERSION DE MILLIMETRES → POUCES
 CUADRO DE CONVERSION A UNIDAD DE MILIMETRO → PULGADA
 MILLIMETER → ZOLL UMRECHNUNGSTABELLE

	0	1	2	3	4	5	6	7	8	9
00	.000	.039	.079	.118	.157	.197	.236	.276	.315	.354
10	.394	.433	.472	.512	.551	.591	.630	.669	.709	.748
20	.787	.827	.866	.906	.945	.984	1.024	1.063	1.102	1.142
30	1.181	1.220	1.260	1.299	1.339	1.378	1.417	1.457	1.496	1.535
40	1.575	1.614	1.654	1.693	1.732	1.772	1.811	1.850	1.890	1.929
50	1.969	2.008	2.047	2.087	2.126	2.165	2.205	2.214	2.283	2.323
60	2.362	2.402	2.441	2.480	2.520	2.559	2.598	2.638	2.677	2.717
70	2.756	2.795	2.835	2.874	2.913	2.953	2.992	3.031	3.071	3.110
80	3.150	3.189	3.228	3.268	3.307	3.346	3.386	3.425	3.465	3.504
90	3.543	3.583	3.622	3.661	3.701	3.740	3.780	3.819	3.858	3.898

How to read
 Mode de lecture
 Modo de leer
 Anleitung

	0	1	2	3	4
00	---	---	---	---	---
10	---	---	---	---	---
20	---	---	0.906	---	---
30	---	---	---	---	---

23 millimeters equal 0.906 inch
 23 millimeters egalent 0.906 pouce
 23 milímetros = 0.906 pulgada
 23 millimeter entspricht 0.906 zoll

Contents are subject to change without notice or obligation

Les matieres traitees sont susceptibles d'être modifiées sans Préavis
 Obligation de notre part.

El contenido está sujeto a modificaciones sin previo aviso.

Hnderungen vorbehalten.

COLOR CHART
TABLEAU DES COULEURS

COLOR NO. NO DE COULEUR	COLOR DESCRIPTION DESCRIPTION DE COULEUR	COLOR NO. NO DE COULEUR	COLOR DESCRIPTION DESCRIPTION DE COULEUR
0EP	SHADOW BLACK METALLIC		
13L	BRIGHT SILVER METALLIC		
5PK	BLACK		

MILLIMETER → INCH CONVERSION CHART

	0	1	2	3	4	5	6	7	8	9
00	.000	.039	.079	.118	.157	.197	.236	.276	.315	.354
10	.394	.433	.472	.512	.551	.591	.630	.669	.709	.748
20	.787	.827	.866	.906	.945	.984	1.024	1.063	1.102	1.142
30	1.181	1.220	1.260	1.299	1.339	1.378	1.417	1.457	1.496	1.535
40	1.575	1.614	1.654	1.693	1.732	1.772	1.811	1.850	1.890	1.929
50	1.969	2.008	2.047	2.087	2.126	2.165	2.205	2.214	2.283	2.323
60	2.362	2.402	2.441	2.480	2.520	2.559	2.598	2.638	2.677	2.717
70	2.756	2.795	2.835	2.874	2.913	2.953	2.992	3.031	3.071	3.110
80	3.150	3.189	3.228	3.268	3.307	3.346	3.386	3.425	3.465	3.504
90	3.543	3.583	3.622	3.661	3.701	3.740	3.780	3.819	3.858	3.898

How to read

	0	1	2	3	4
00
10
20	0.906	...
30

23 millimeters equal 0.906 inch

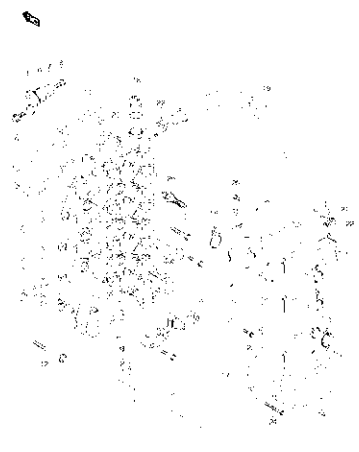
Contents are subject to change without notice or obligation.

FIG. NO.	T I T L E	ADDRESS NO.
1	CYLINDER HEAD	1-B-02
2	CYLINDER BLOCK	1-B-03
3	RING GEAR COVER (DF100T E1)	1-B-04
4	RING GEAR COVER (DF100T E40)	1-B-05
5	RING GEAR COVER (DF115T E1)	1-B-06
6	RING GEAR COVER (DF115T E40)	1-B-07
7	RING GEAR COVER (DF115Z E1)	1-B-08
8	RING GEAR COVER (DF115Z E40)	1-B-09
9	CRANKSHAFT	1-B-10
10	TIMING CHAIN	1-B-11
11	CAMSHAFT (DF100T E1)	1-B-12
		1-B-13
12	CAMSHAFT (DF100T E40)	1-B-14
		1-B-15
13	CAMSHAFT (DF115T E1)	1-C-02
		1-C-03
14	CAMSHAFT (DF115T E40)	1-C-04
		1-C-05
15	CAMSHAFT (DF115Z E1)	1-C-06
		1-C-07
16	CAMSHAFT (DF115Z E40)	1-C-08
		1-C-09
17	INTAKE MANIFOLD	1-C-10
18	SILENCER	1-C-11
19	FUEL VAPOR SEPARATOR (DF100T E1)	1-C-12
20	FUEL VAPOR SEPARATOR (DF100T E40)	1-C-13
21	FUEL VAPOR SEPARATOR (DF115T E1)	1-C-14
22	FUEL VAPOR SEPARATOR (DF115T E40)	1-C-15
23	FUEL VAPOR SEPARATOR (DF115Z E1)	1-D-02
24	FUEL VAPOR SEPARATOR (DF115Z E40)	1-D-03
25	FUEL INJECTOR (DF100T E1)	1-D-04
26	FUEL INJECTOR (DF100T E40)	1-D-05
27	FUEL INJECTOR (DF115T E1)	1-D-06
28	FUEL INJECTOR (DF115T E40)	1-D-07
29	FUEL INJECTOR (DF115Z E1)	1-D-08
30	FUEL INJECTOR (DF115Z E40)	1-D-09
31	FUEL PUMP (DF100T E1)	1-D-10
32	FUEL PUMP (DF100T E40)	1-D-11
33	FUEL PUMP (DF115T E1)	1-D-12
34	FUEL PUMP (DF115T E40)	1-D-13
35	FUEL PUMP (DF115Z E1)	1-D-14
36	FUEL PUMP (DF115Z E40)	1-D-15
37	WATER PUMP (DF100T E1)	1-E-02
38	WATER PUMP (DF100T E40)	1-E-03
39	WATER PUMP (DF115T E1)	1-E-04
40	WATER PUMP (DF115T E40)	1-E-05
41	WATER PUMP (DF115Z E1)	1-E-06
42	WATER PUMP (DF115Z E40)	1-E-07
43	THERMOSTAT (DF100T E1)	1-E-08
44	THERMOSTAT (DF100T E40)	1-E-09
45	THERMOSTAT (DF115T E1)	1-E-10
46	THERMOSTAT (DF115T E40)	1-E-11
47	THERMOSTAT (DF115Z E1)	1-E-12
48	THERMOSTAT (DF115Z E40)	1-E-13
49	THROTTLE BODY	1-E-14
50	OIL PUMP	1-E-15
51	OIL PAN	1-F-02
52	CLUTCH SHAFT	1-F-03
53	SHIFT ROD (DF100T E1)	1-F-04
54	SHIFT ROD (DF100T E40)	1-F-05
55	SHIFT ROD (DF115T E1)	1-F-06
56	SHIFT ROD (DF115T E40)	1-F-07
57	SHIFT ROD (DF115Z E1)	1-F-08
58	SHIFT ROD (DF115Z E40)	1-F-09
59	TRANSMISSION (DF100T E1)	1-F-10
		1-F-11
		1-F-12

FIG. NO.	T I T L E	ADDRESS NO.
60	TRANSMISSION (DF100T E40)	1-F-13 1-F-14
61	TRANSMISSION (DF115T E1)	1-F-15 1-G-02 1-G-03 1-G-04
62	TRANSMISSION (DF115T E40)	1-G-05 1-G-06
63	TRANSMISSION (DF115Z E1)	1-G-07 1-G-08 1-G-09
64	TRANSMISSION (DF115Z E40)	1-G-10 1-G-11 1-G-12 1-G-13
65	STARTING MOTOR	1-G-14
66	MAGNETO	1-G-15
67	RECTIFIER	1-H-02
68	IGNITION COIL	1-H-03
69	SENSOR (DF100T E1)	1-H-04
70	SENSOR (DF100T E40)	1-H-05
71	SENSOR (DF115T E1)	1-H-06
72	SENSOR (DF115T E40)	1-H-07
73	SENSOR (DF115Z E1)	1-H-08
74	SENSOR (DF115Z E40)	1-H-09
75	HARNESS	1-H-10
76	PTT SWITCH & ENGINE CONTROL UNIT (DF100T E1)	1-H-11
77	PTT SWITCH & ENGINE CONTROL UNIT (DF100T E40)	1-H-12
78	PTT SWITCH & ENGINE CONTROL UNIT (DF115T E1)	1-H-13
79	PTT SWITCH & ENGINE CONTROL UNIT (DF115T E40)	1-H-14
80	PTT SWITCH & ENGINE CONTROL UNIT (DF115Z E1)	1-H-15
81	PTT SWITCH & ENGINE CONTROL UNIT (DF115Z E40)	1-I-02
82	CLAMP BRACKET (DF100T E1)	1-I-03
83	CLAMP BRACKET (DF100T E40)	1-I-04
84	CLAMP BRACKET (DF115T E1)	1-I-05
85	CLAMP BRACKET (DF115T E40)	1-I-06
86	CLAMP BRACKET (DF115Z E1)	1-I-07
87	CLAMP BRACKET (DF115Z E40)	1-I-08
88	SWIVEL BRACKET	1-I-09
89	TRIM CYLINDER (DF100T E1)	1-I-10
90	TRIM CYLINDER (DF100T E40)	1-I-11
91	TRIM CYLINDER (DF115T E1)	1-I-12
92	TRIM CYLINDER (DF115T E40)	1-I-13
93	TRIM CYLINDER (DF115Z E1)	1-I-14
94	TRIM CYLINDER (DF115Z E40)	1-I-15
95	PTT MOTOR	1-J-02
96	ENGINE HOLDER	1-J-03
97	DRIVE SHAFT HOUSING	1-J-04
98	GEAR CASE (DF100T E1)	1-J-05 1-J-06
99	GEAR CASE (DF100T E40)	1-J-07 1-J-08
100	GEAR CASE (DF115T E1)	1-J-09
101	GEAR CASE (DF115T E40)	1-J-10 1-J-11 1-J-12
102	GEAR CASE (DF115Z E1)	1-J-13 1-J-14
103	GEAR CASE (DF115Z E40)	1-J-15
104	SIDE COVER	1-K-02 1-K-03
105	ENGINE COVER (DF100T E1)	1-K-04
106	ENGINE COVER (DF100T E40)	1-K-05
107	ENGINE COVER (DF115T E1)	1-K-06
108	ENGINE COVER (DF115T E40)	1-K-07
109	ENGINE COVER (DF115Z E1)	1-K-08
110	ENGINE COVER (DF115Z E40)	1-K-09
111	FUEL TANK (PLASTIC)	1-K-10

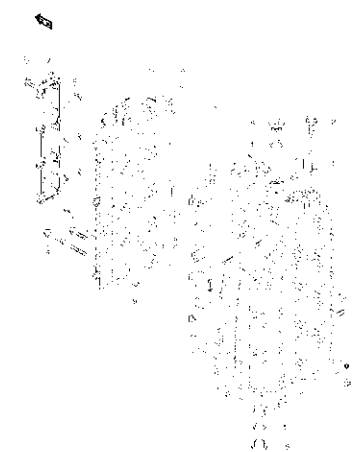
FIG. NO.	T I T L E	ADDRESS NO.
112	DRAG LINK	1-K-11
113	OPT:METER (1)	1-K-12
114	OPT:METER (2)	1-K-13
115	OPT:METER (3)	1-K-14
116	OPT:TRIM SENDER (DF100T E1)	1-K-15
117	OPT:TRIM SENDER (DF100T E40)	1-L-02
118	OPT:TRIM SENDER (DF115T E1)	1-L-03
119	OPT:TRIM SENDER (DF115T E40)	1-L-04
120	OPT:TRIM SENDER (DF115Z E1)	1-L-05
121	OPT:TRIM SENDER (DF115Z E40)	1-L-06
122	OPT:HARNESS (1)	1-L-07
123	OPT:HARNESS (2)	1-L-08
124	OPT:SWITCH (DF100T E1)	1-L-09
		1-L-10
125	OPT:SWITCH (DF100T E40)	1-L-11
		1-L-12
126	OPT:SWITCH (DF115T E1)	1-L-13
		1-L-14
127	OPT:SWITCH (DF115T E40)	1-L-15
		2-B-02
128	OPT:SWITCH (DF115Z E1)	2-B-03
		2-B-04
		2-B-05
129	OPT:SWITCH (DF115Z E40)	2-B-06
		2-B-07
		2-B-08
130	OPT:REMOTE CONTROL (DF100T E1)	2-B-09
		2-B-10
		2-B-11
131	OPT:REMOTE CONTROL (DF100T E40)	2-B-12
		2-B-13
		2-B-14
132	OPT:REMOTE CONTROL (DF115T E1)	2-B-15
		2-C-02
		2-C-03
133	OPT:REMOTE CONTROL (DF115T E40)	2-C-04
		2-C-05
		2-C-06
134	OPT:REMOTE CONTROL (DF115Z E1)	2-C-07
135	OPT:REMOTE CONTROL (DF115Z E40)	2-C-08
136	OPT:TOP MOUNT DUAL (1)	2-C-09
		2-C-10
137	OPT:TOP MOUNT DUAL (2)	2-C-11
		2-C-12
138	OPT:TILLER HANDLE	2-C-13
		2-C-14
		2-C-15
139	OPT:GASKET SET (DF100T E1)	2-D-02
140	OPT:GASKET SET (DF100T E40)	2-D-03
141	OPT:GASKET SET (DF115T E1)	2-D-04
142	OPT:GASKET SET (DF115T E40)	2-D-05
143	OPT:GASKET SET (DF115Z E1)	2-D-06
144	OPT:GASKET SET (DF115Z E40)	2-D-07

FIG.1



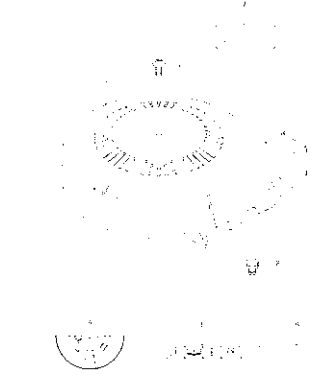
201112 00119 5
CENTER HEAD

FIG.2



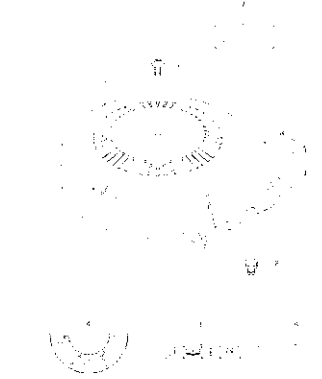
201112 00119 5
CENTER HEAD

FIG.3



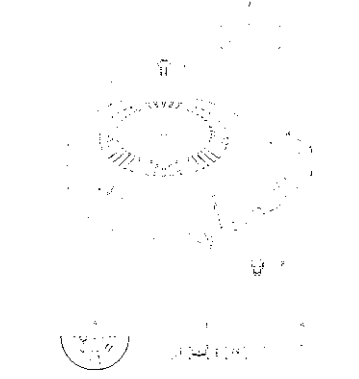
201112 00119 5
CENTER HEAD

FIG.4



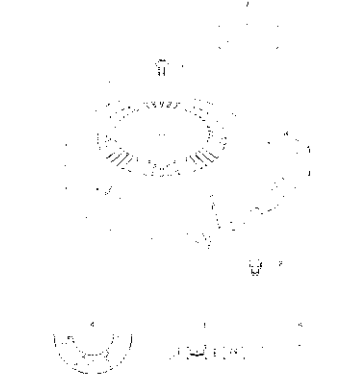
201112 00119 5
CENTER HEAD

FIG.5



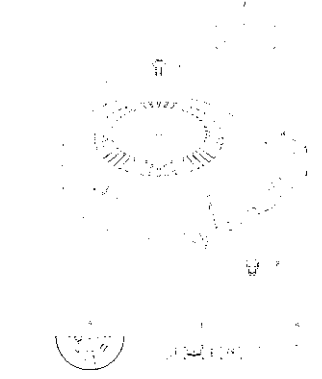
201112 00119 5
CENTER HEAD

FIG.6



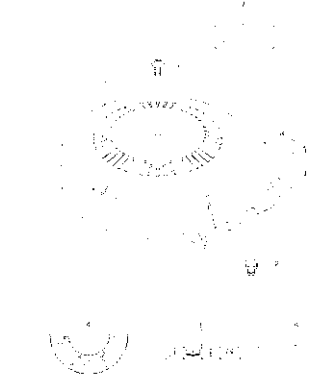
201112 00119 5
CENTER HEAD

FIG.7



201112 00119 5
CENTER HEAD

FIG.8



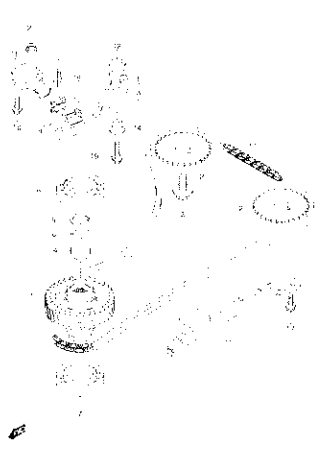
201112 00119 5
CENTER HEAD

FIG.9



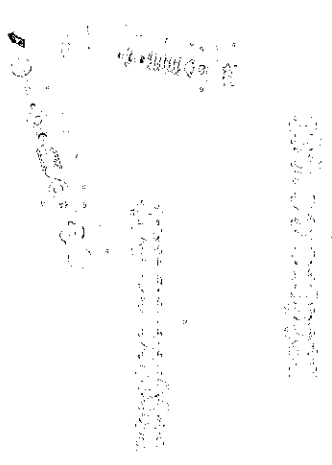
DETAILED VIEW OF THE VIEW
LAVN-667

FIG.10



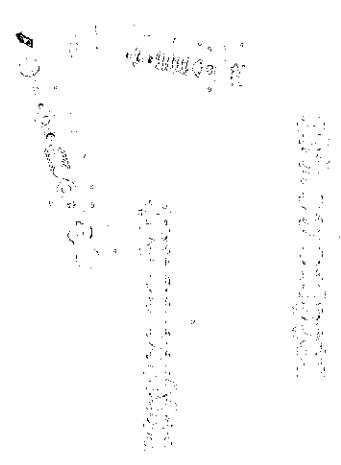
DETAILED VIEW OF THE VIEW
LAVN-667

FIG.11



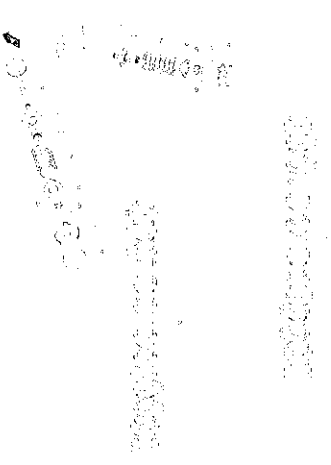
DETAILED VIEW OF THE VIEW
LAVN-667

FIG.12



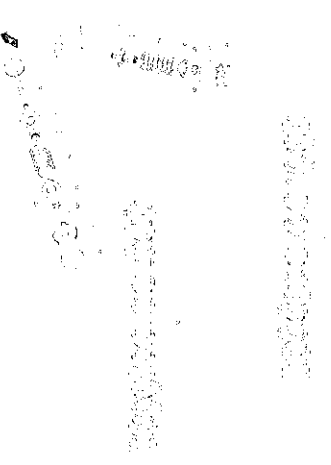
DETAILED VIEW OF THE VIEW
LAVN-667

FIG.13



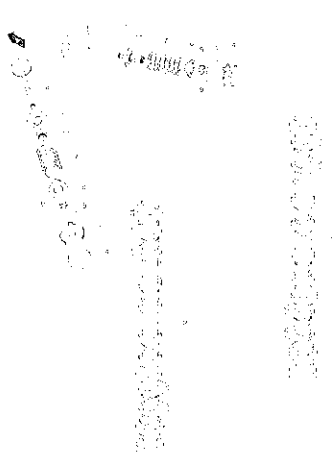
DETAILED VIEW OF THE VIEW
LAVN-667

FIG.14



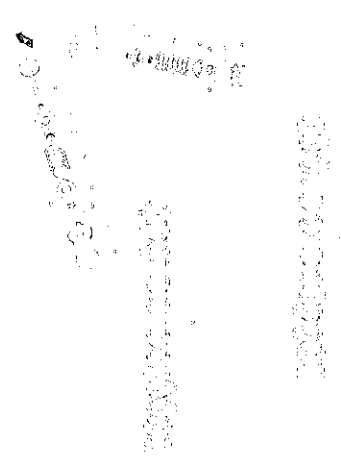
DETAILED VIEW OF THE VIEW
LAVN-667

FIG.15

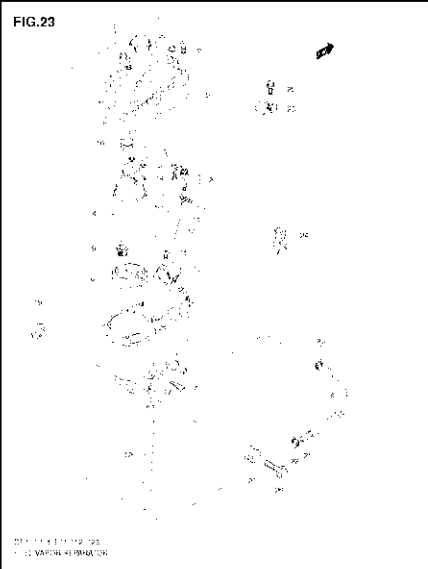
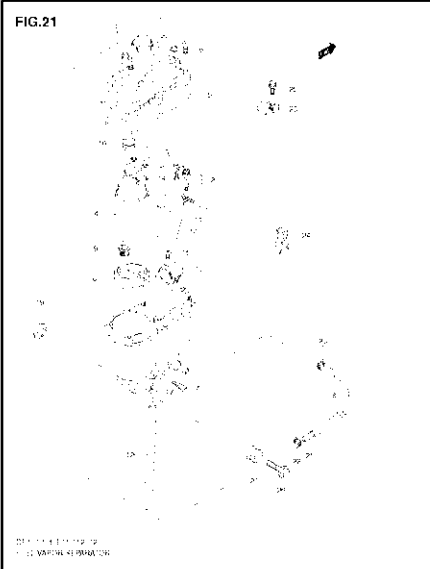
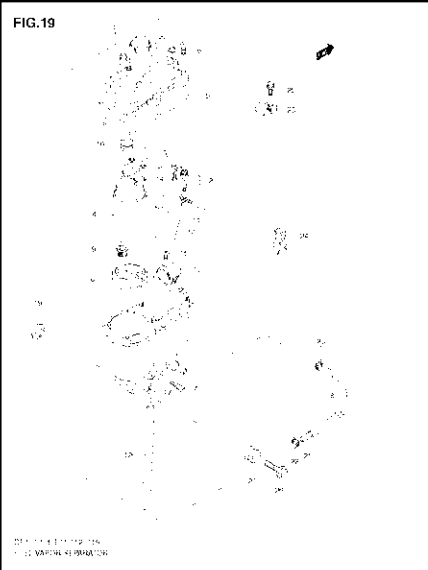
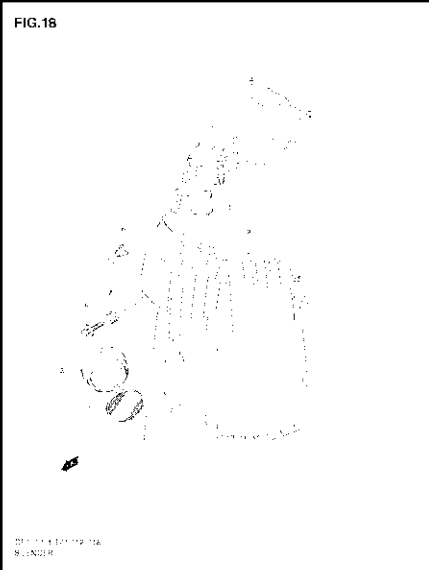
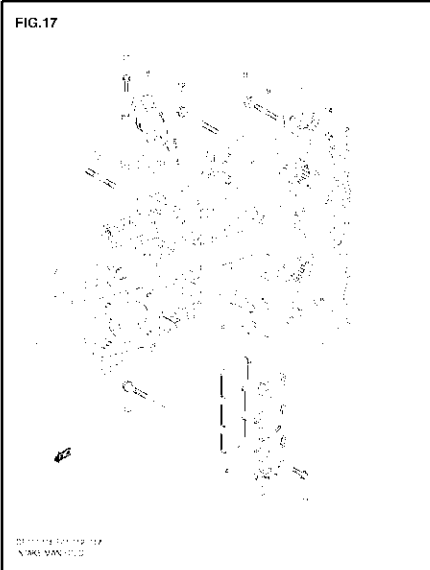


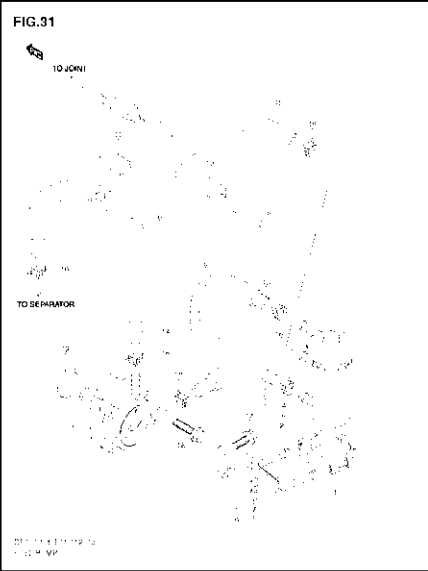
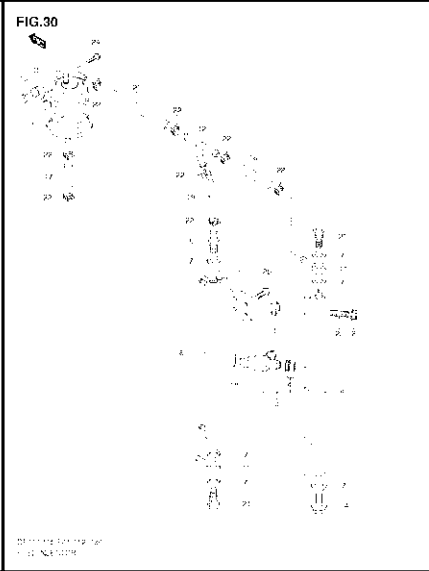
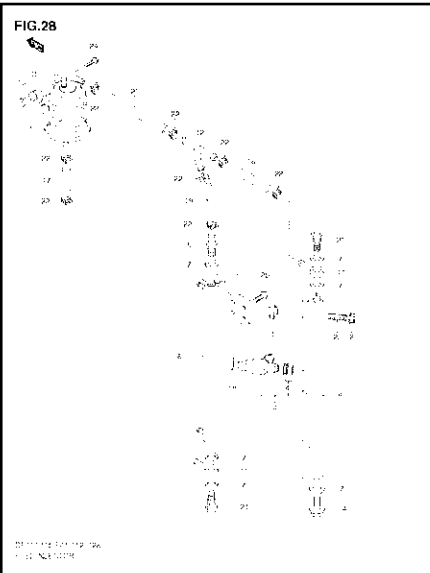
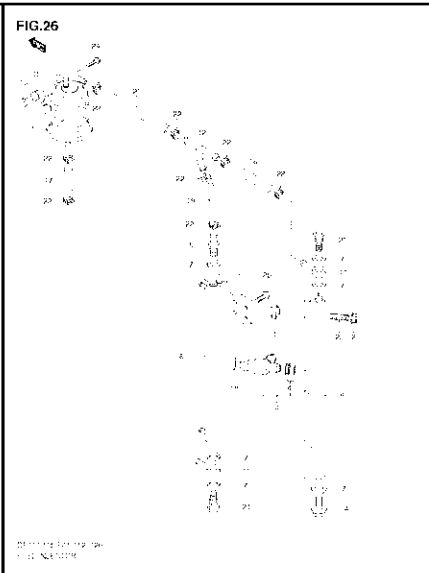
DETAILED VIEW OF THE VIEW
LAVN-667

FIG.16



DETAILED VIEW OF THE VIEW
LAVN-667





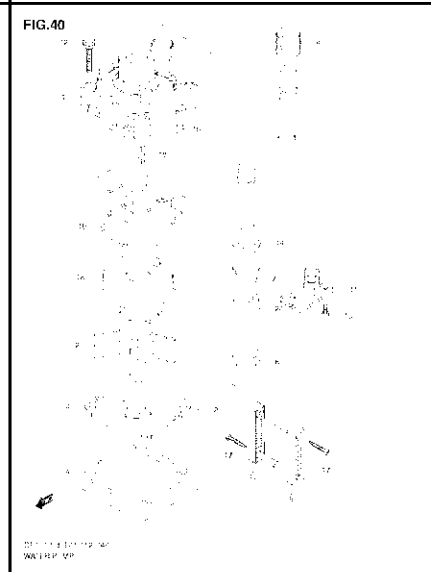
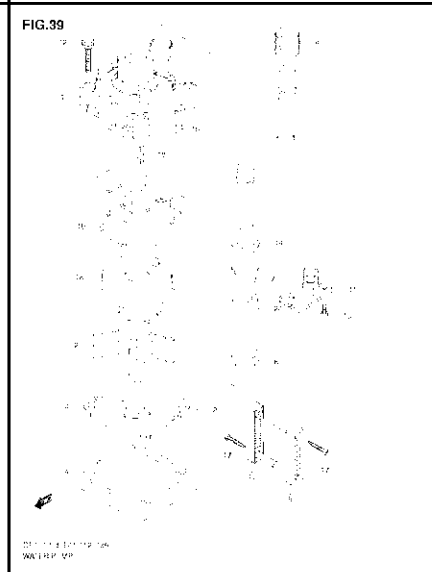
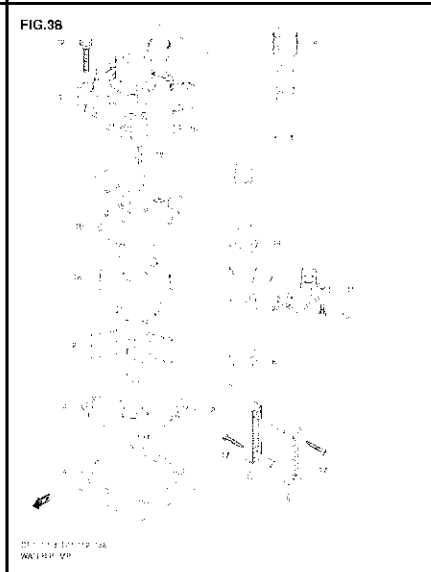
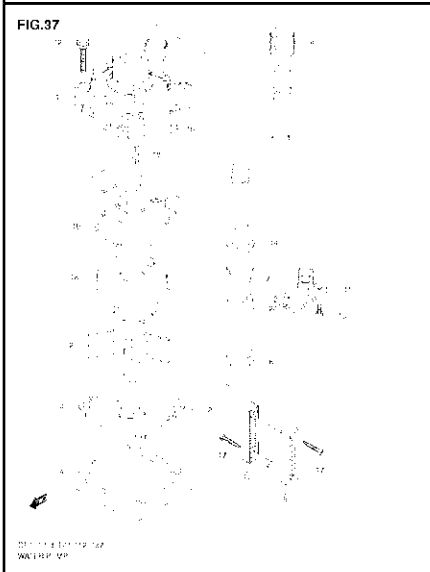
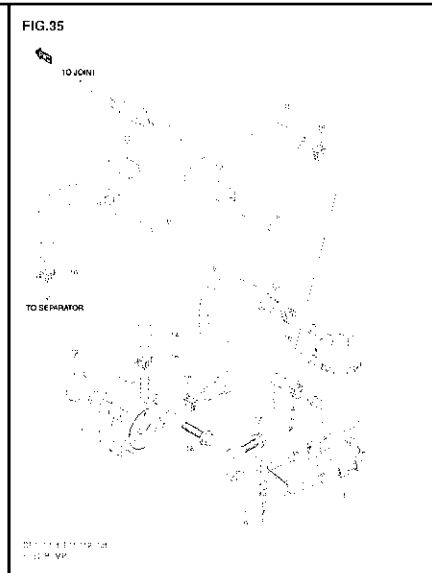
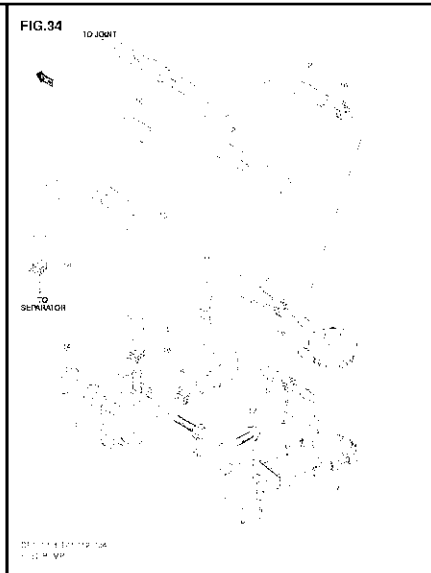
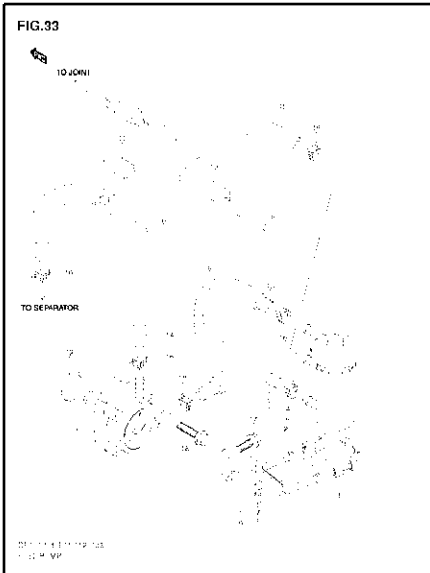


FIG.41



20111431112-34
DWG REF: 02

FIG.42



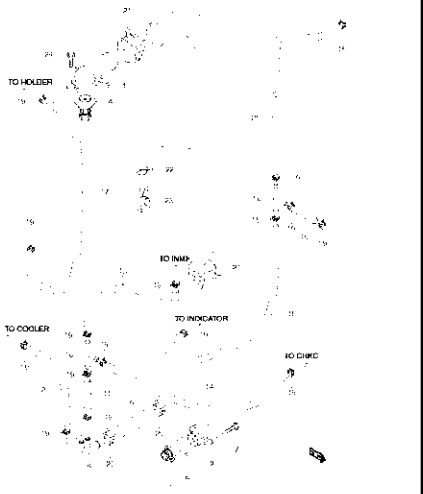
20111431112-34
DWG REF: 02

FIG.43



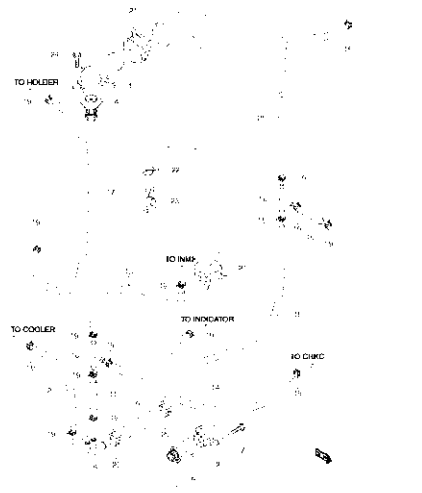
20111431112-34
DWG REF: 01

FIG.44



20111431112-34
DWG REF: 01

FIG.45



20111431112-34
DWG REF: 01

FIG.46



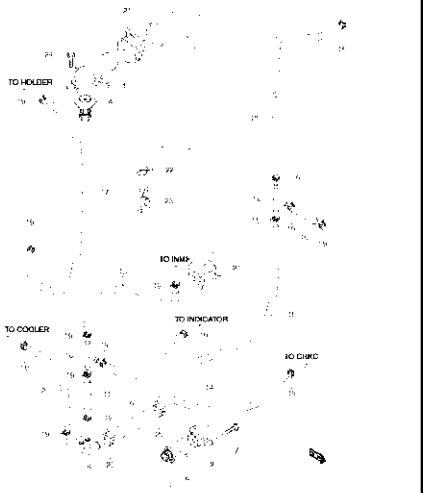
20111431112-34
DWG REF: 01

FIG.47



20111431112-34
DWG REF: 01

FIG.48



20111431112-34
DWG REF: 01

FIG.49



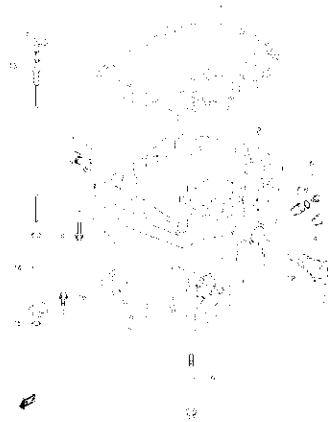
201111171212 14
84411813

FIG.50



201111171212 14
84411813

FIG.51



201111171212 14
84411813

FIG.52



201111171212 14
84411813

FIG.53



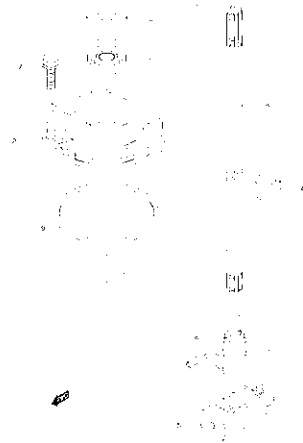
201111171212 14
84411813

FIG.54



201111171212 14
84411813

FIG.55



201111171212 14
84411813

FIG.56



201111171212 14
84411813

FIG.57



FIG.58



FIG.59



FIG.60



FIG.61



FIG.62



FIG.63

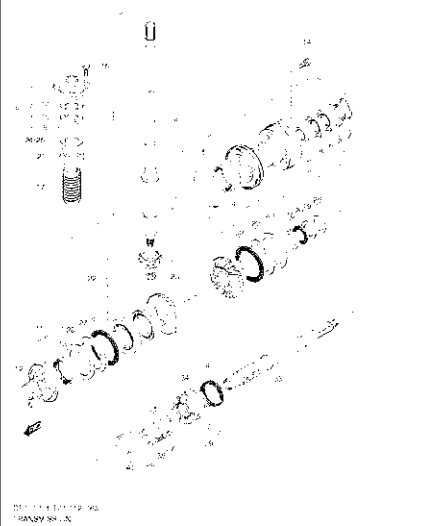


FIG.64

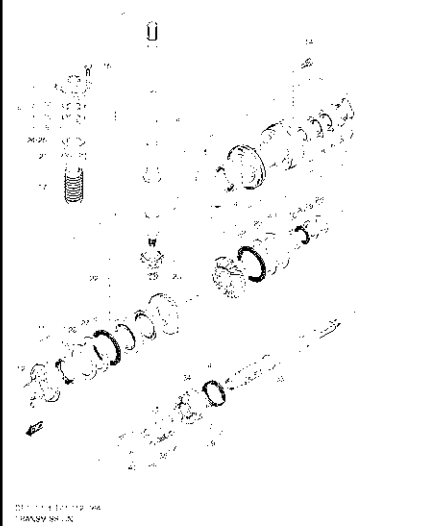
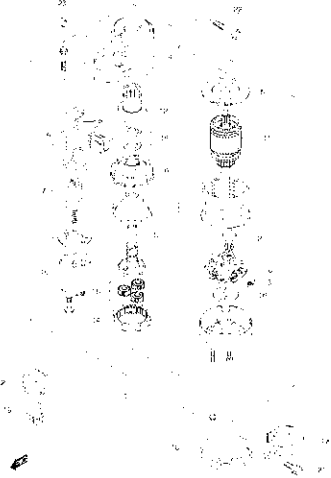
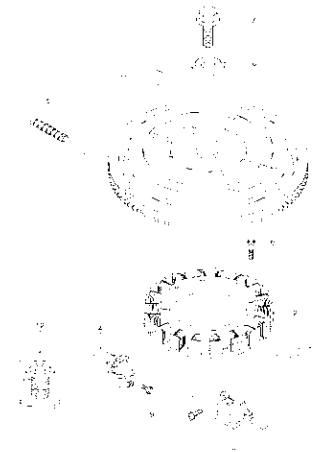


FIG.65



201111121212 96
SUNGL

FIG.66



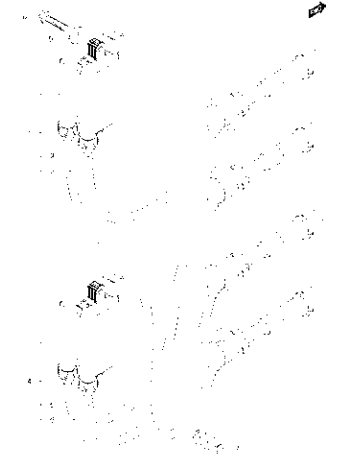
201111121212 96
SUNGL

FIG.67



201111121212 96
SUNGL

FIG.68



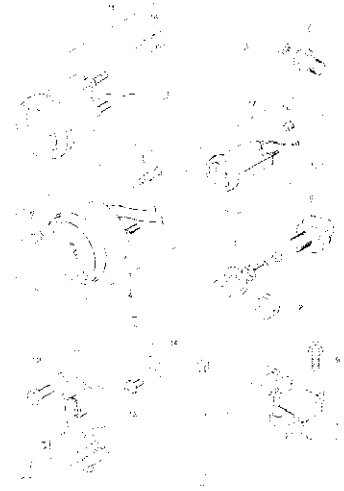
201111121212 96
SUNGL

FIG.69



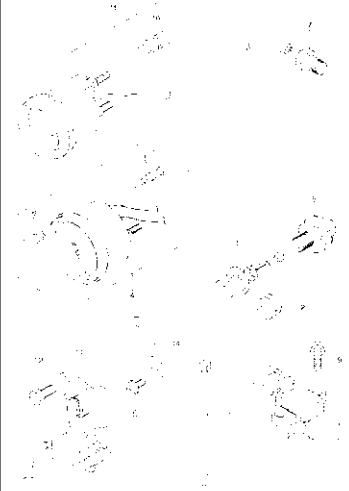
201111121212 96
SUNGL

FIG.70



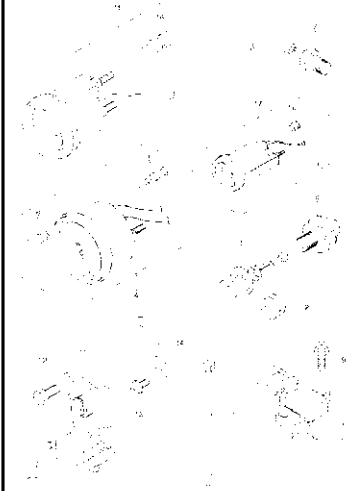
201111121212 96
SUNGL

FIG.71



201111121212 96
SUNGL

FIG.72



201111121212 96
SUNGL

FIG.73

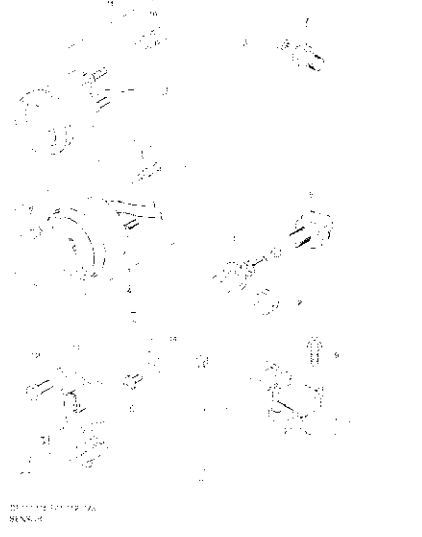


FIG.74

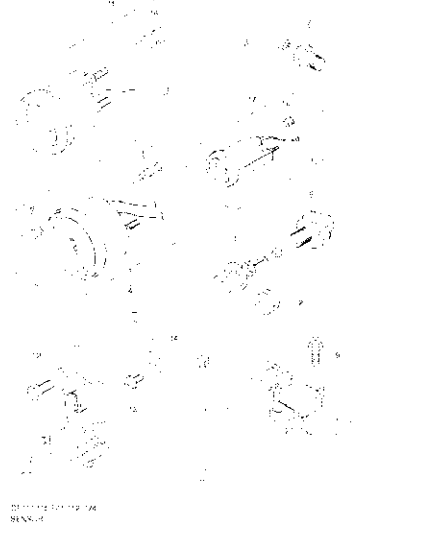


FIG.75

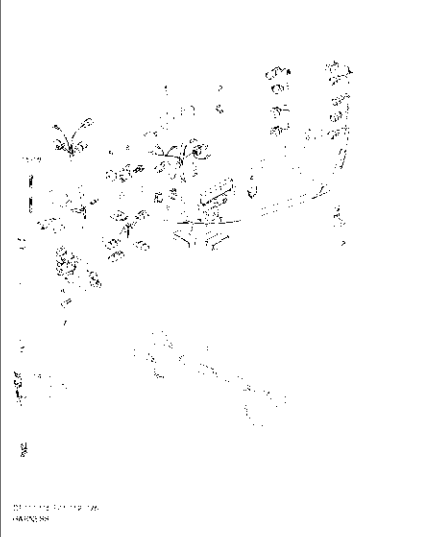


FIG.76



FIG.77



FIG.78



FIG.79

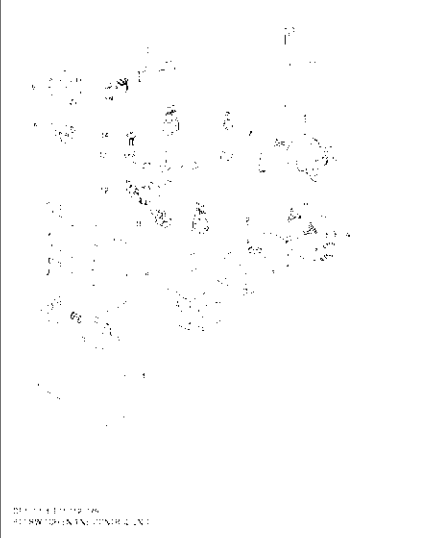


FIG.80

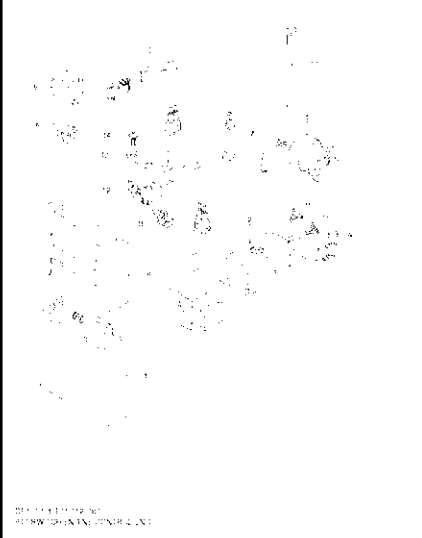


FIG.81



2011112 024119 Top
1 APPR SNACKE

FIG.82



2011112 024119 Top
1 APPR SNACKE

FIG.83



2011112 024119 Top
1 APPR SNACKE

FIG.84



2011112 024119 Top
1 APPR SNACKE

FIG.85



2011112 024119 Top
1 APPR SNACKE

FIG.86



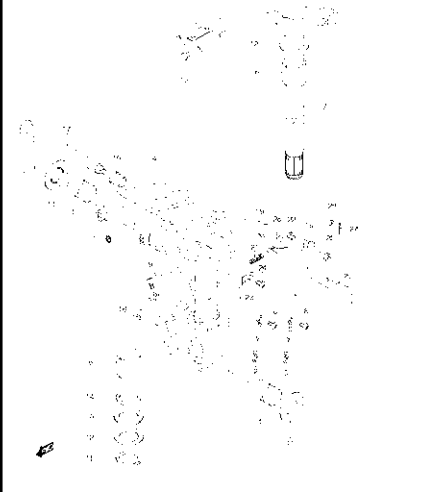
2011112 024119 Top
1 APPR SNACKE

FIG.87



2011112 024119 Top
1 APPR SNACKE

FIG.88



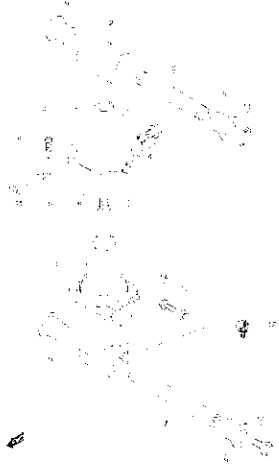
2011112 024119 Top
SW VE. 8 SNACKE

FIG.89



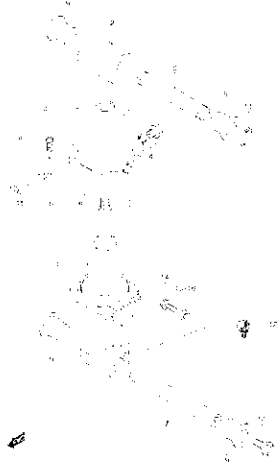
01 1111111111 16
TRIMOK N22R

FIG.90



01 1111111111 16
TRIMOK N22R

FIG.91



01 1111111111 16
TRIMOK N22R

FIG.92



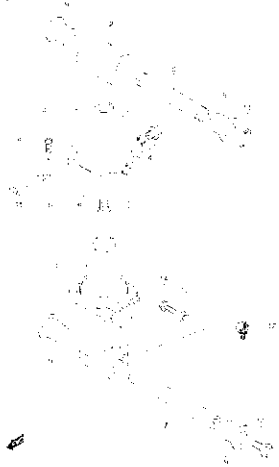
01 1111111111 16
TRIMOK N22R

FIG.93



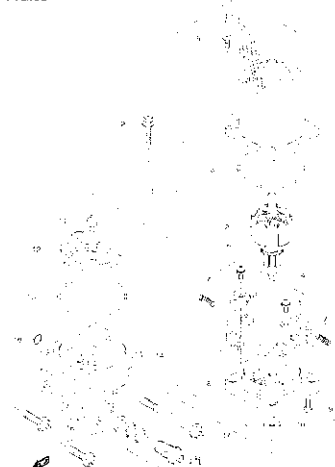
01 1111111111 16
TRIMOK N22R

FIG.94



01 1111111111 16
TRIMOK N22R

FIG.95



01 1111111111 16
TRIMOK N22R

FIG.96



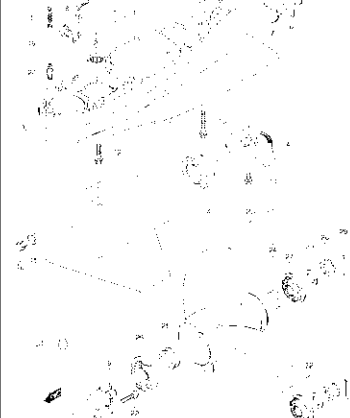
01 1111111111 16
TRIMOK N22R

FIG.97



DETAILED VIEW NO. 1
SCALE 1:1000000

FIG.98



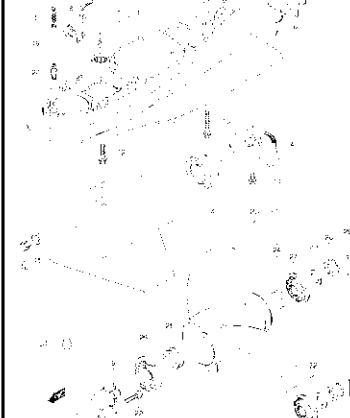
DETAILED VIEW NO. 1
SCALE 1:1000000

FIG.99



DETAILED VIEW NO. 1
SCALE 1:1000000

FIG.100



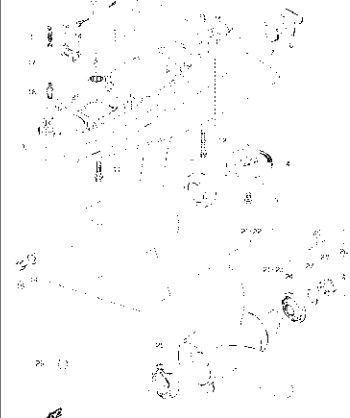
DETAILED VIEW NO. 1
SCALE 1:1000000

FIG.101



DETAILED VIEW NO. 1
SCALE 1:1000000

FIG.102



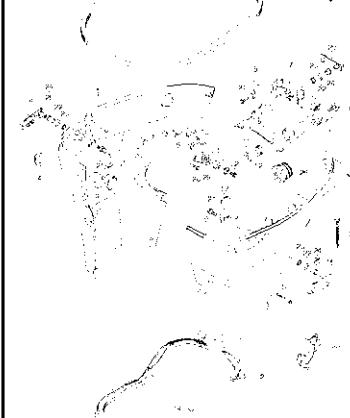
DETAILED VIEW NO. 1
SCALE 1:1000000

FIG.103



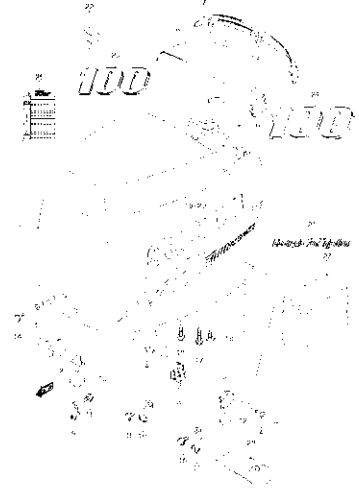
DETAILED VIEW NO. 1
SCALE 1:1000000

FIG.104



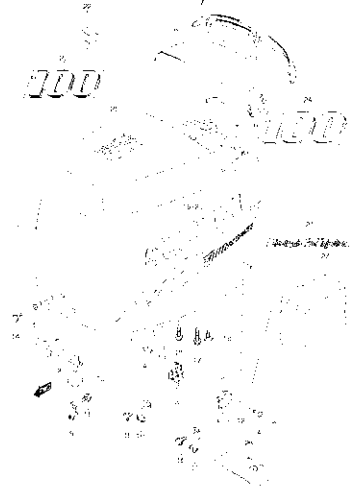
DETAILED VIEW NO. 1
SCALE 1:1000000

FIG.105



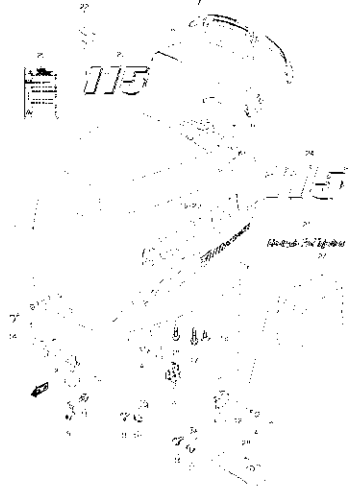
EXPLODED VIEW OF
ENGINE COVER

FIG.106



EXPLODED VIEW OF
ENGINE COVER

FIG.107



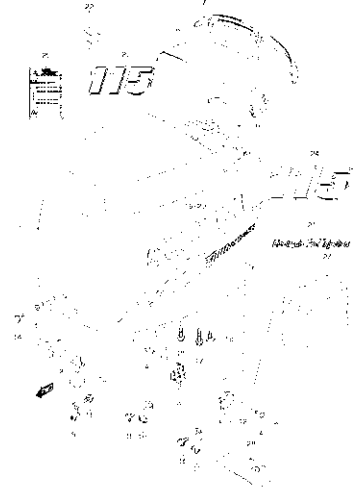
EXPLODED VIEW OF
ENGINE COVER

FIG.108



EXPLODED VIEW OF
ENGINE COVER

FIG.109



EXPLODED VIEW OF
ENGINE COVER

FIG.110



EXPLODED VIEW OF
ENGINE COVER

FIG.111



EXPLODED VIEW OF
ENGINE COVER

FIG.112



EXPLODED VIEW OF
ENGINE COVER

FIG.113



FIG. 113 (continued)
TOP VIEW

FIG.114

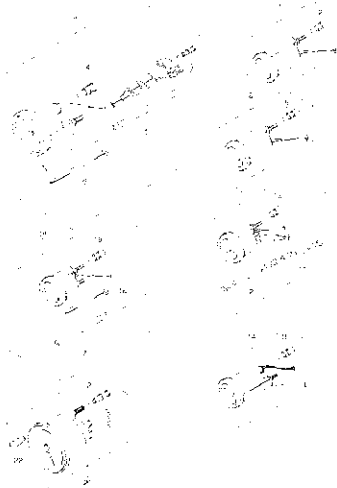


FIG. 114 (continued)
TOP VIEW

FIG.115



FIG. 115 (continued)
TOP VIEW

FIG.116

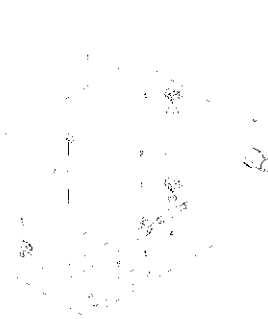


FIG. 116 (continued)
TOP VIEW

FIG.117

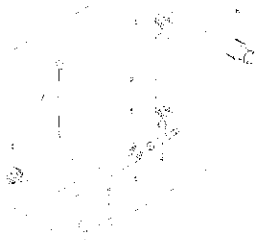


FIG. 117 (continued)
TOP VIEW

FIG.118

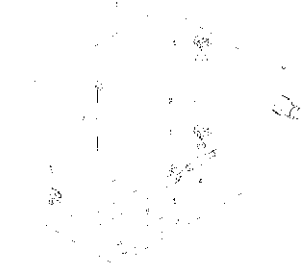


FIG. 118 (continued)
TOP VIEW

FIG.119

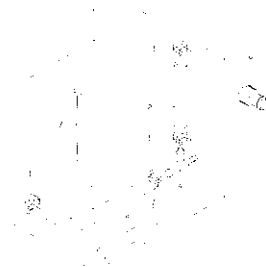


FIG. 119 (continued)
TOP VIEW

FIG.120

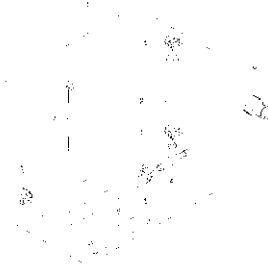


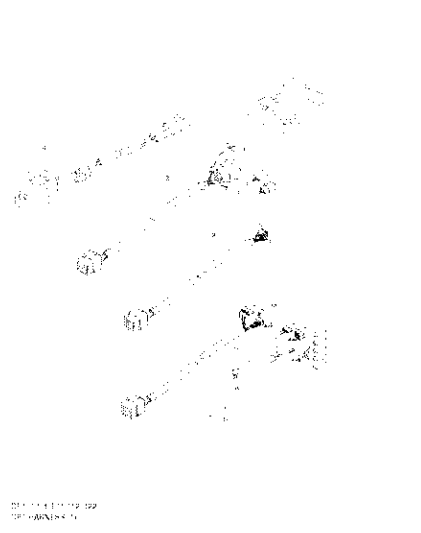
FIG. 120 (continued)
TOP VIEW

FIG.121



20111430112 02
TOP VIEW

FIG.122



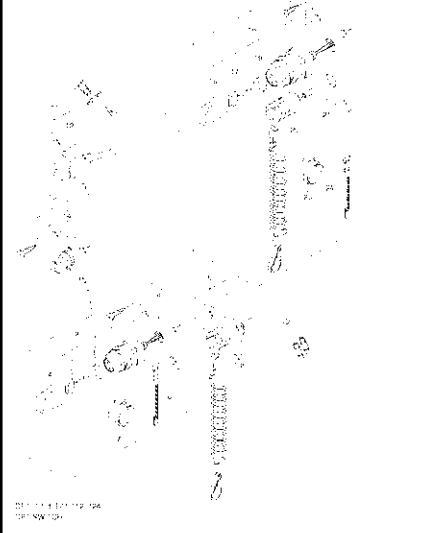
20111430112 02
TOP VIEW

FIG.123



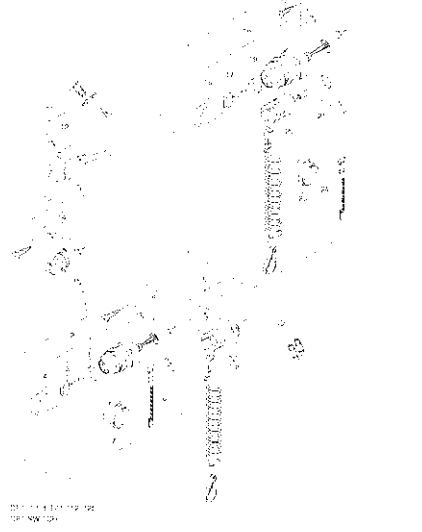
20111430112 02
TOP VIEW

FIG.124



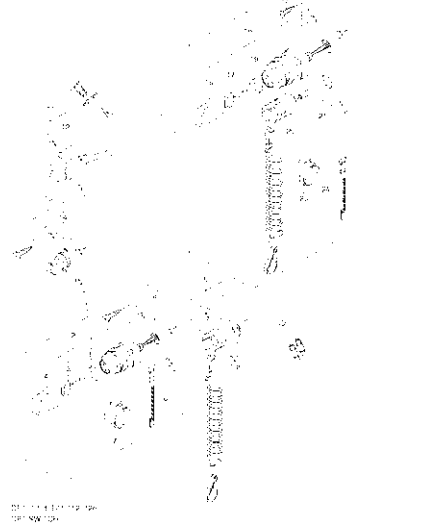
20111430112 02
TOP VIEW

FIG.125



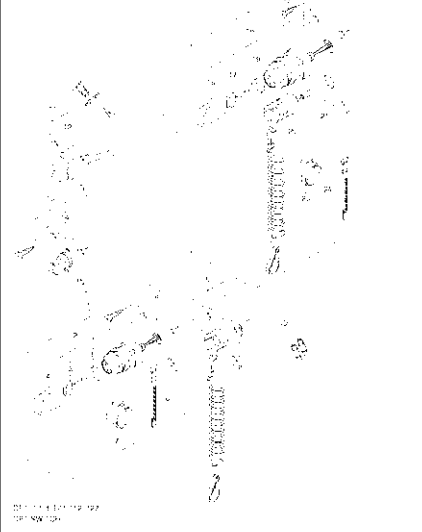
20111430112 02
TOP VIEW

FIG.126



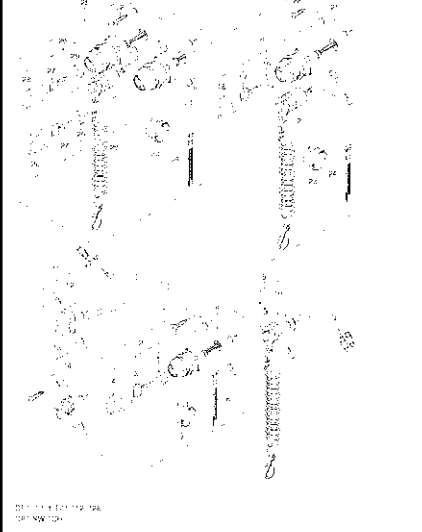
20111430112 02
TOP VIEW

FIG.127



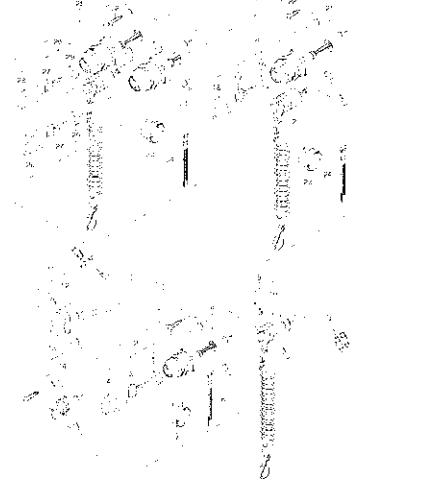
20111430112 02
TOP VIEW

FIG.128



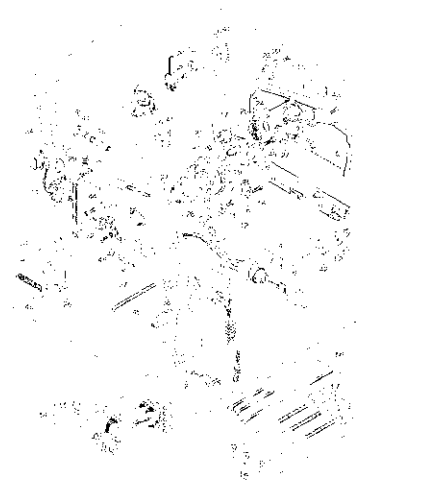
20111430112 02
TOP VIEW

FIG.129



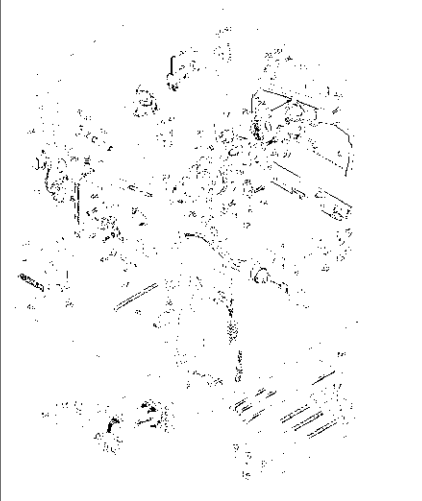
001114301129.00
TOP VIEW (2/4)

FIG.130



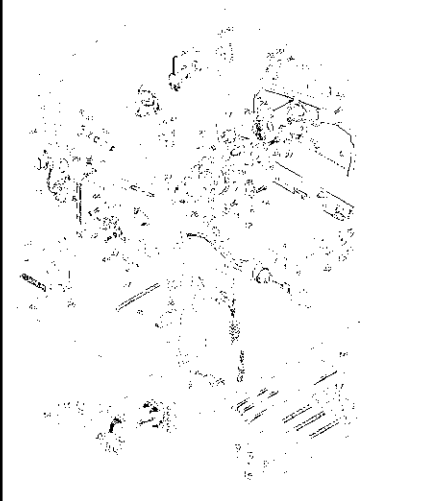
001114301130.00
TOP VIEW (2/4)

FIG.131



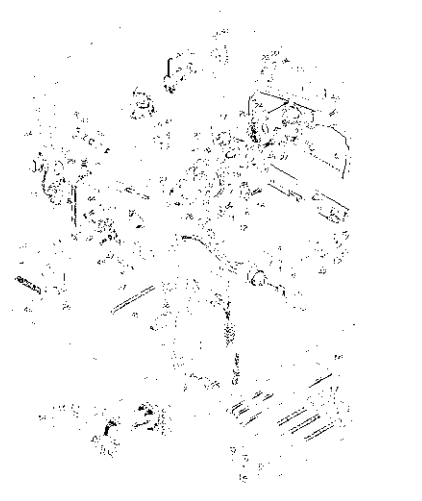
001114301131.00
TOP VIEW (2/4)

FIG.132



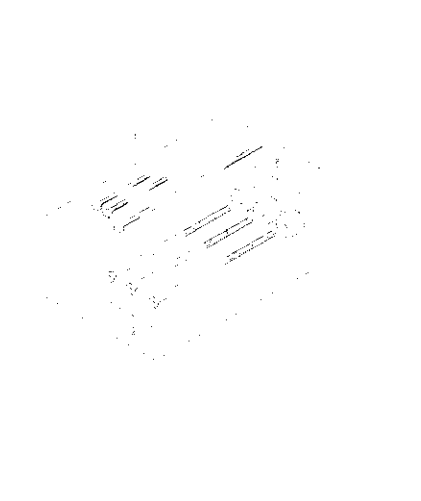
001114301132.00
TOP VIEW (2/4)

FIG.133



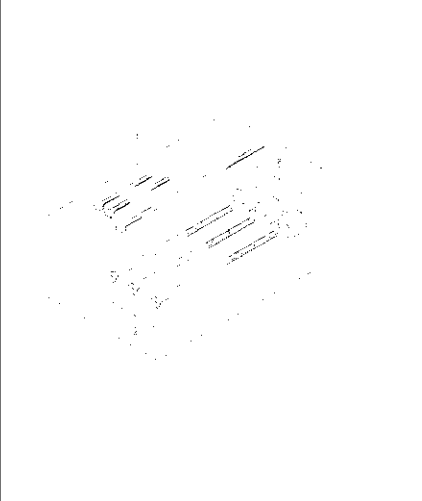
001114301133.00
TOP VIEW (2/4)

FIG.134



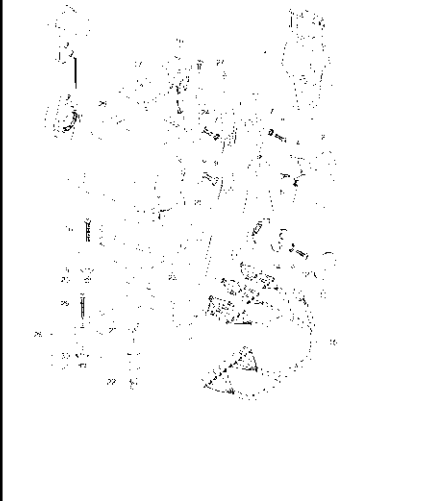
001114301134.04
TOP VIEW (2/4)

FIG.135



001114301135.04
TOP VIEW (2/4)

FIG.136



001114301136.00
TOP VIEW (2/4)

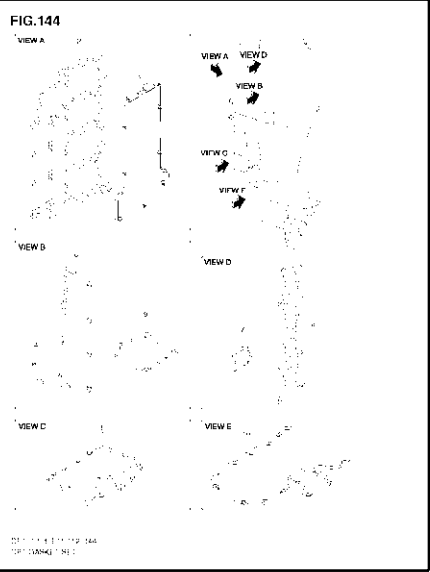
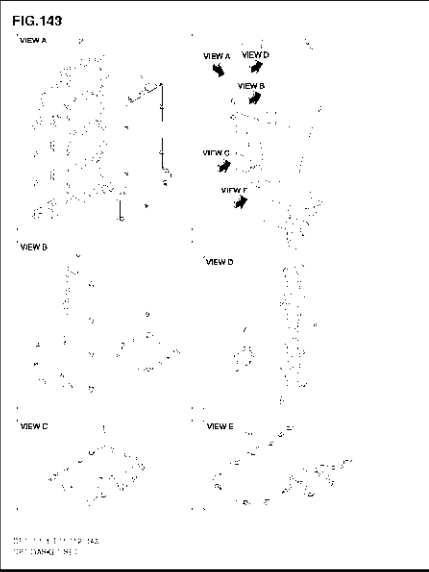
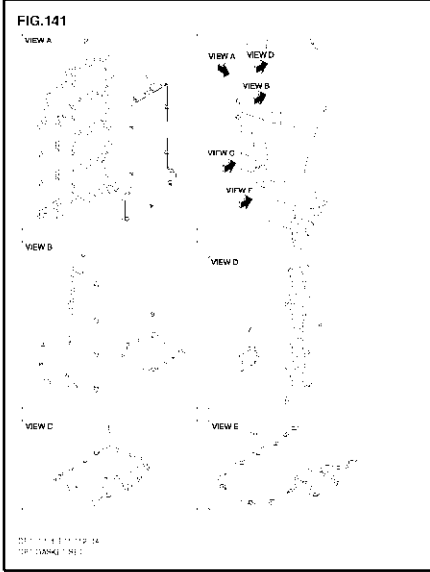
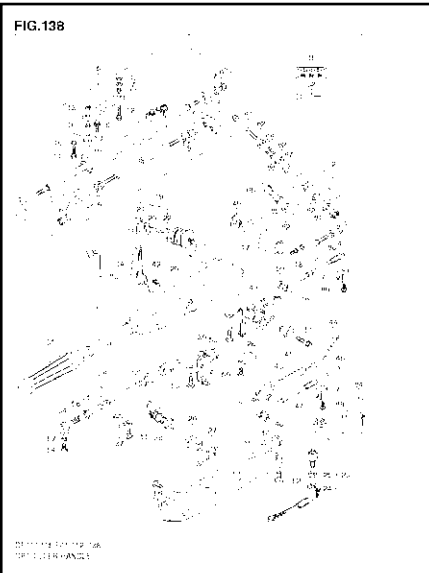


FIG.1

FIG.1 (1-B-2) CYLINDER HEAD

REF NO.	PART NO.	DESCRIPTION	Q'TY	REMARKS
1	11100-90J06	HEAD, CYLINDER	1	
2	11115-85FA1-001	·GUIDE, VALVE (OS:0.3)	16	OPT
3	09103-06266	·BOLT (6X40)	21	
4	09206-08001	·PIN	18	
5	11261-93J00	COVER, PROTECTION ANODE	2	
6	09280-22019	O RING (D:1.9,ID:21.8)	2	
7	55321-87J00	ANODE, PROTECTION	2	
8	09103-06281	BOLT (6X14)	2	
9	01550-08207	BOLT	2	
10	11117-89J00	BOLT, CYL HEAD	10	
11	11141-90J01	GASKET, CYL HEAD	1	
12	09116-08125	BOLT (8X50)	8	
13	04211-13189	PIN	2	
14	11170-90J00	COVER, CYL HEAD	1	
15	11173-90J00	PLATE, BREATHER	1	
16	11179-90J00	GASKET, SPARK PLUG HOLE	4	
17	11189-90J00	GASKET, CYL HEAD COVER	1	
18	11382-99E00	CAP, OIL FILLER	1	
19	18498-90J20	PROTECTOR, BREATHER HOSE	1	
20	09280-26006	O RING (D:3.1,ID:26.4)	1	
21	09355-13207-00B	HOSE (13X20X2000)	1	L:2000->660
22	09401-20409	CLIP	2	
23	01547-06257	BOLT	11	
24	01547-06557	BOLT	4	
25	02112-0612A	SCREW	7	
26	09482-00427	SPARK PLUG (NGK BKR6E)	4	

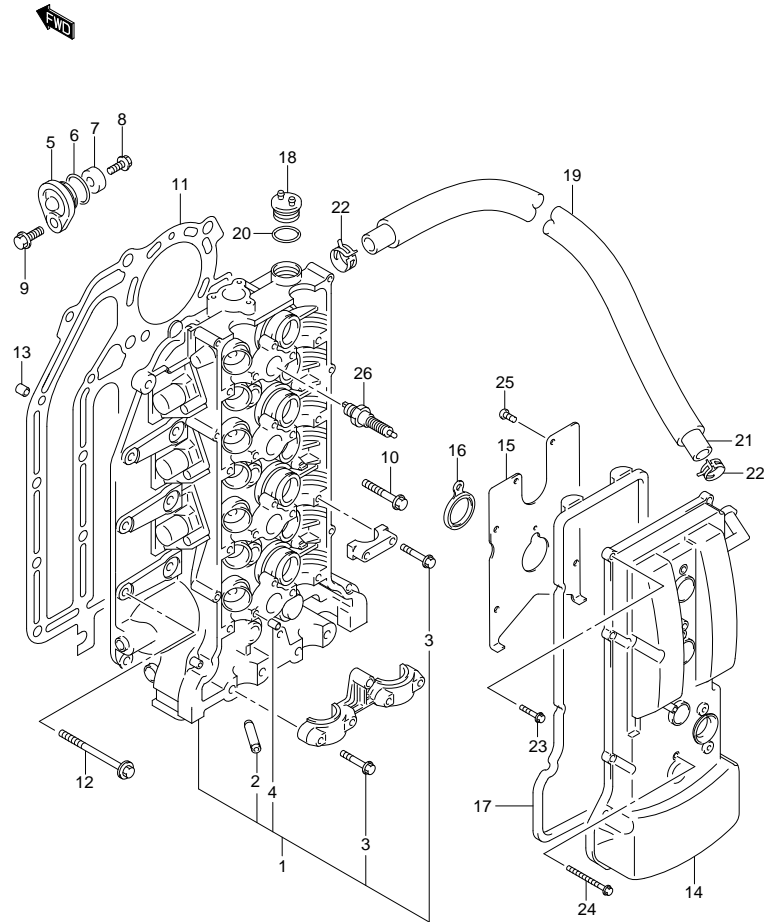


FIG.2

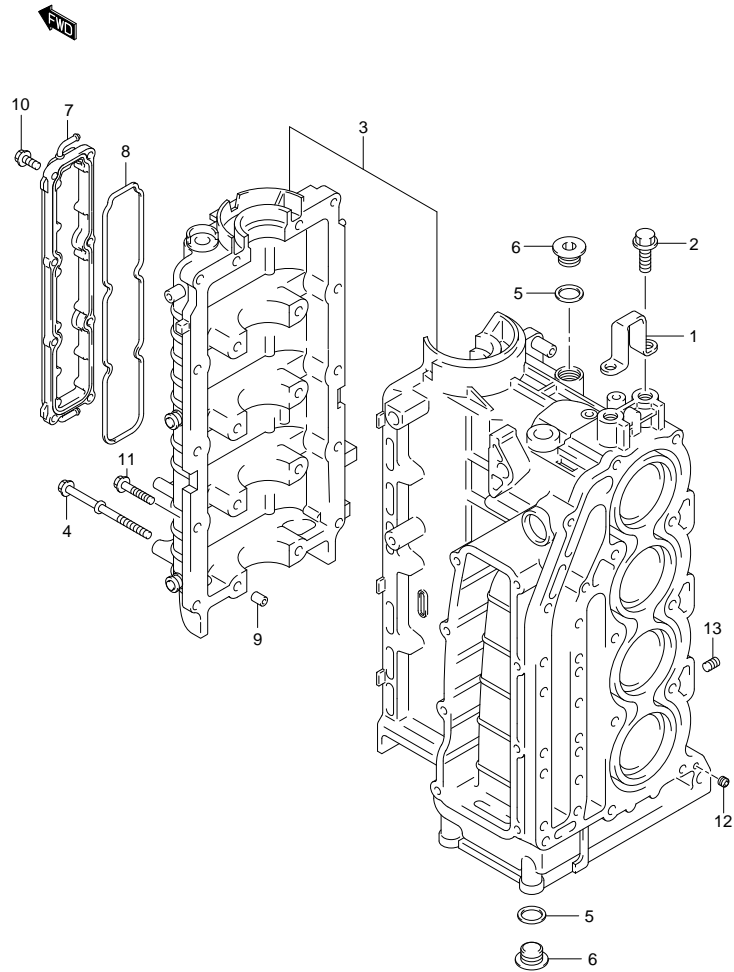


FIG. 2 (1-B-3) CYLINDER BLOCK

REF. NO.	PART NO.	DESCRIPTION	QTY	REMARKS
1	11291-90J10	HOOK, ENGINE	1	
2	01550-12307	BOLT	2	
3	11300-90J11	BLOCK, CYLINDER	1	
4	11117-90J10	BOLT, CRANKCASE	10	
5	11216-77E00	GASKET, OIL GALLERY PLUG	3	
6	09248-18011	PLUG	3	
7	11330-90J00	COVER, WTR JKT	1	
8	11332-90J00	O RING, WTR JKT COVER	1	
9	09206-13019	PIN	5	
10	01550-06207	BOLT	8	
11	01550-08407	BOLT	10	
12	11112-90J00	PLUG, OIL VENTURI	1	
13	09246-05006	PLUG	1	

FIG.3

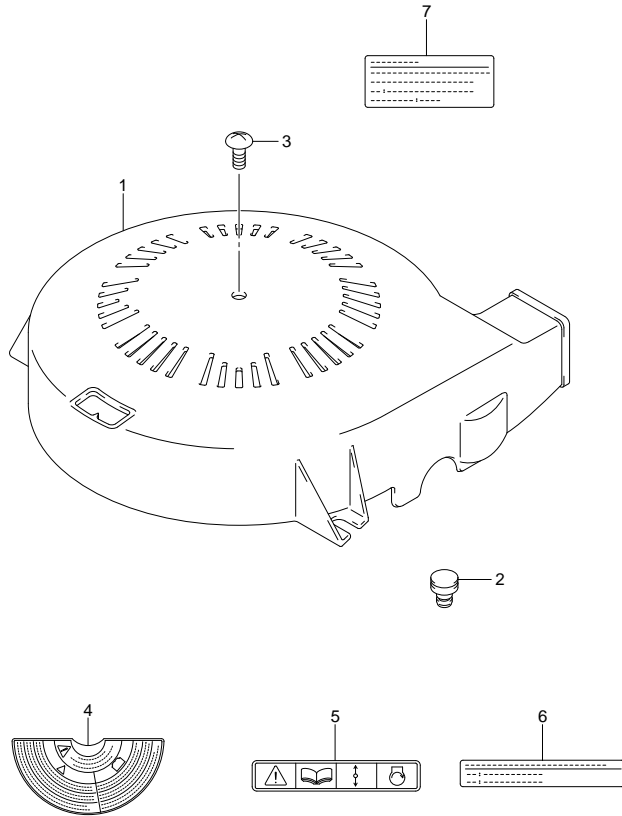


FIG.3 (1-B-4) RING GEAR COVER (DF100T E1)

REF NO.	PART NO.	DESCRIPTION	Q'TY	REMARKS
1	11510-90J00	COVER, RING GEAR	1	
2	11512-99E00	CUSHION, RING GEAR COVER	2	
3	09125-06111	SCREW (6X18)	1	
4	61472-93E40	LABEL, MAG COVER	1	
5	69711-93E10	LABEL, CAUTION	1	
6	61493-90J00	LABEL, CLEARANCE	1	
7	61494-90J00	LABEL, OIL	1	

FIG.4

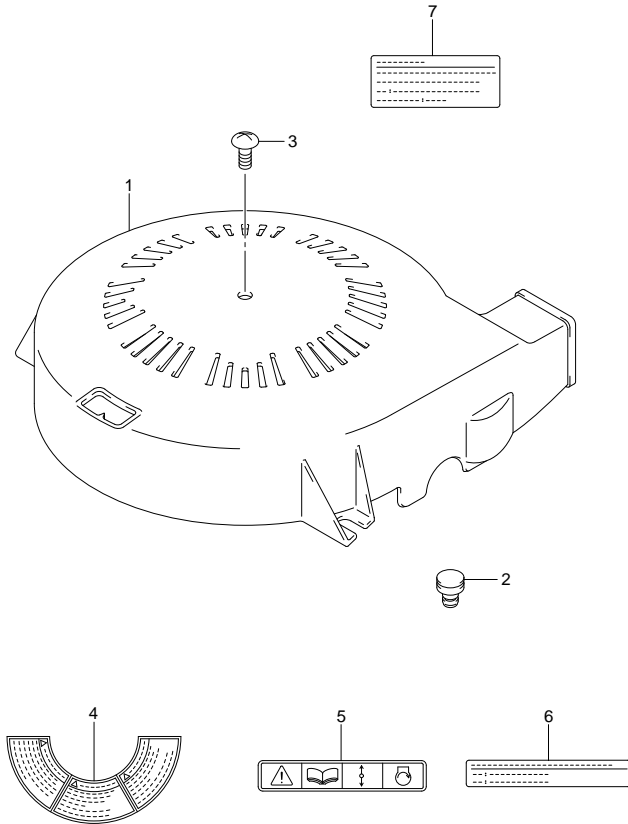


FIG. 4 (1-B-5) RING GEAR COVER (DF100T E40)

REF NO.	PART NO.	DESCRIPTION	Q'TY	REMARKS
1	11510-90J00	COVER, RING GEAR	1	
2	11512-99E00	CUSHION, RING GEAR COVER	2	
3	09125-06111	SCREW (6X18)	1	
4	61472-93E32	LABEL, MAG COVER	1	
5	69711-93E10	LABEL, CAUTION	1	
6	61493-90J00	LABEL, CLEARANCE	1	
7	61494-90J00	LABEL, OIL	1	

FIG.5

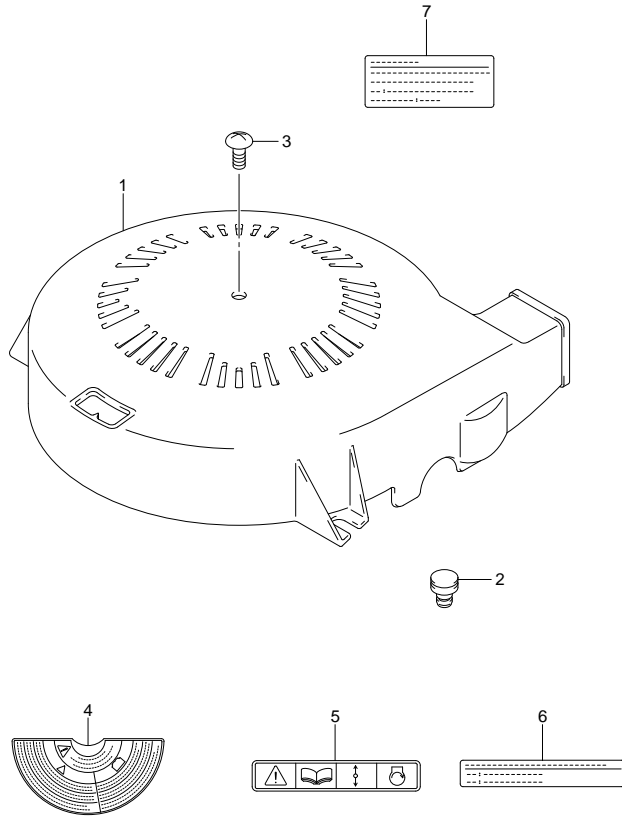


FIG. 5 (1-B-6) RING GEAR COVER (DF115T E1)

REF NO.	PART NO.	DESCRIPTION	Q' TY	REMARKS
1	11510-90J00	COVER, RING GEAR	1	
2	11512-99E00	CUSHION, RING GEAR COVER	2	
3	09125-06111	SCREW (6X18)	1	
4	61472-93E40	LABEL, MAG COVER	1	
5	69711-93E10	LABEL, CAUTION	1	
6	61493-90J00	LABEL, CLEARANCE	1	
7	61494-90J00	LABEL, OIL	1	

FIG.6

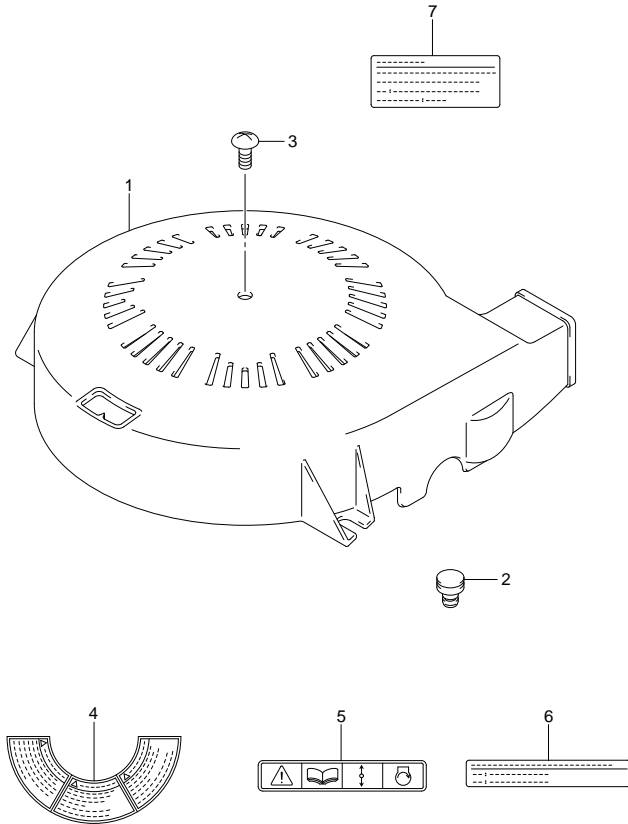


FIG.6 (1-B-7) RING GEAR COVER (DF115T E40)

REF NO.	PART NO.	DESCRIPTION	Q' TY	REMARKS
1	11510-90J00	COVER, RING GEAR	1	
2	11512-99E00	CUSHION, RING GEAR COVER	2	
3	09125-06111	SCREW (6X18)	1	
4	61472-93E32	LABEL, MAG COVER	1	
5	69711-93E10	LABEL, CAUTION	1	
6	61493-90J00	LABEL, CLEARANCE	1	
7	61494-90J00	LABEL, OIL	1	

FIG.7

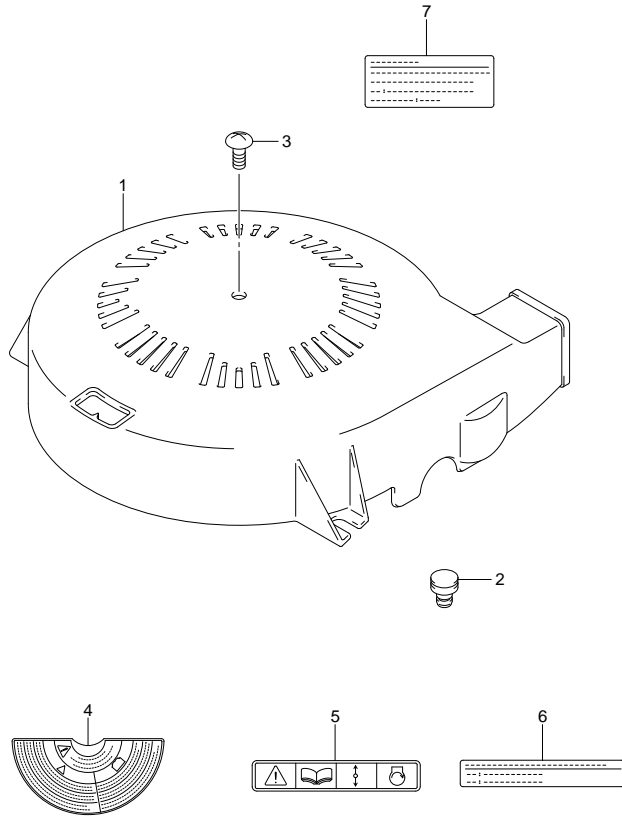


FIG.7 (1-B-8) RING GEAR COVER (DF115Z E1)

REF NO.	PART NO.	DESCRIPTION	Q' TY	REMARKS
1	11510-90J00	COVER, RING GEAR	1	
2	11512-99E00	CUSHION, RING GEAR COVER	2	
3	09125-06111	SCREW (6X18)	1	
4	61472-93E40	LABEL, MAG COVER	1	
5	69711-93E10	LABEL, CAUTION	1	
6	61493-90J00	LABEL, CLEARANCE	1	
7	61494-90J00	LABEL, OIL	1	

FIG.8

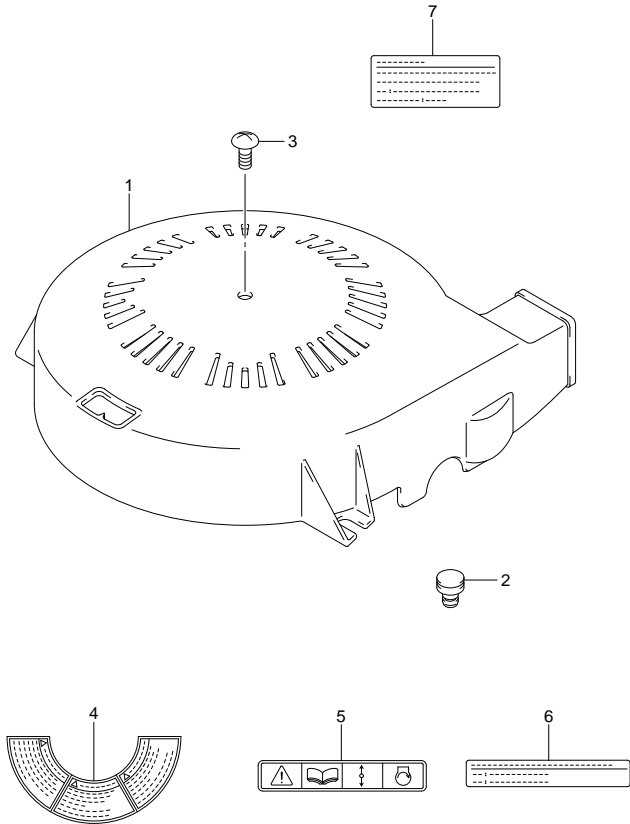


FIG. 8 (1-B-9) RING GEAR COVER (DF115Z E40)

REF NO.	PART NO.	DESCRIPTION	Q' TY	REMARKS
1	11510-90J00	COVER, RING GEAR	1	
2	11512-99E00	CUSHION, RING GEAR COVER	2	
3	09125-06111	SCREW (6X18)	1	
4	61472-93E32	LABEL, MAG COVER	1	
5	69711-93E10	LABEL, CAUTION	1	
6	61493-90J00	LABEL, CLEARANCE	1	
7	61494-90J00	LABEL, OIL	1	

FIG.9

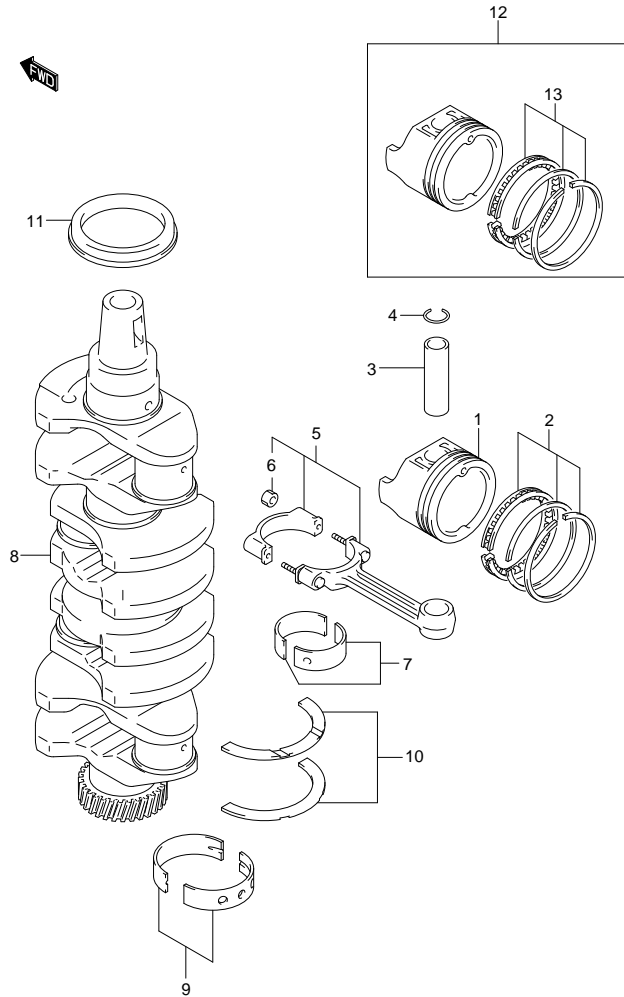


FIG.9 (1-B-10) CRANKSHAFT

REF NO.	PART NO.	DESCRIPTION	Q'TY	REMARKS
1	12111-90J01	PISTON	4	
2	12140-86FA0	RING SET, PISTON	4	
3	12151-86FA0	PIN, PISTON	4	
4	09381-21002	CIRCLIP	8	
5	12160-92J00	CONNROD ASSY	4	
6	09159-08121	NUT	8	
7-1	12100-92841-0A0	BEARING SET, CONNROD	4	
7-2	12100-92840-025	BEARING SET, CONNROD (US:0.25)	4	OPT
8	12220-92J00	CRANKSHAFT	1	
9-1	12340-85FB3-0A0	BEARING SET, CRANKSHAFT	5	GREEN
9-2	12340-85FB3-0B0	BEARING SET, CRANKSHAFT	5	BLACK
9-3	12340-85FB3-0C0	BEARING SET, CRANKSHAFT	5	NON
9-4	12340-85FB3-0D0	BEARING SET, CRANKSHAFT	5	YELLOW
9-5	12340-85FB3-0E0	BEARING SET, CRANKSHAFT	5	BLUE
9-6	12300-85854-0AA	BEARING SET, CRANKSHAFT (US:0.25)	5	OPT RED/GREEN
9-7	12300-85854-0BA	BEARING SET, CRANKSHAFT (US:0.25)	5	OPT RED/BLACK
9-8	12300-85854-0CA	BEARING SET, CRANKSHAFT (US:0.25)	5	OPT RED
9-9	12300-85854-0DA	BEARING SET, CRANKSHAFT (US:0.25)	5	OPT RED/YELLOW
9-10	12300-85854-0EA	BEARING SET, CRANKSHAFT (US:0.25)	5	OPT RED/BLUE
10-1	12300-85830	BEARING SET, CRANK THRUST	2	
10-2	12300-85830-012	BEARING SET, CRANK THRUST (OS:0.12)	2	OPT
11	09283-52004	OIL SEAL (52X70X10)	1	
12	12100-90J01-050	PISTON SET (OS:0.50)	4	OPT
13	12140-86FA0-050	RING SET, PISTON (OS:0.50)	4	OPT

FIG.10

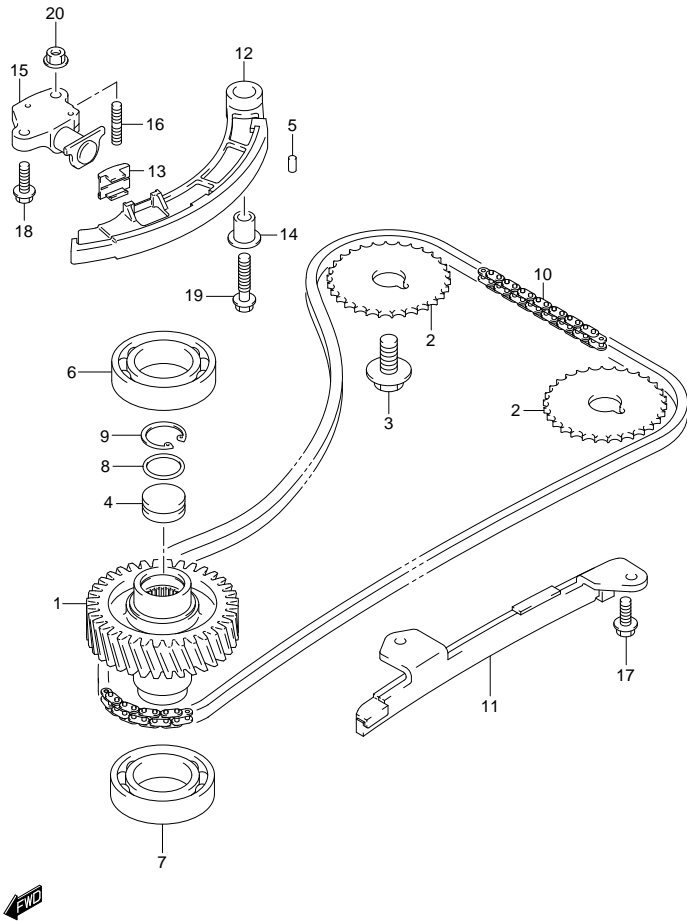


FIG. 10 (1-B-11) TIMING CHAIN

REF NO.	PART NO.	DESCRIPTION	Q' TY	REMARKS
1	12732-90J00	GEAR, DRIVEN	1	
2	12741-90J01	SPROCKET, CAM SHAFT TIMING	2	
3	09103-12049	BOLT (12X25)	2	
4	12733-90J00	PLUG, DRIVEN GEAR	1	
5	04221-05109	PIN	2	
6	09262-35068	BEARING (35X62X14)	1	UPPER
7	09262-35069	BEARING (35X62X16)	1	LOWER
8	09280-22022	O RING (D:1.9,ID:21.8)	1	
9	08331-4126A	CIRCLIP	1	
10	12761-90J00	CHAIN, TIMING	1	
11	12771-90J00	GUIDE, TIMING CHAIN	1	
12	12810-90J00	TENSIONER, TIMING CHAIN	1	
13	12813-73G00	-PAD, TIMING CHAIN TENSIONER	1	
14	12812-90J00	SPACER, TIMING CHAIN TENSIONER	1	
15	12831-90J02	ADJUSTER, TENSIONER	1	
16	01421-0616A	STUD BOLT	1	
17	01550-0616A	BOLT	2	
18	01550-0620A	BOLT	1	
19	01550-0835A	BOLT	1	
20	08316-1006A	NUT	1	

FIG.11

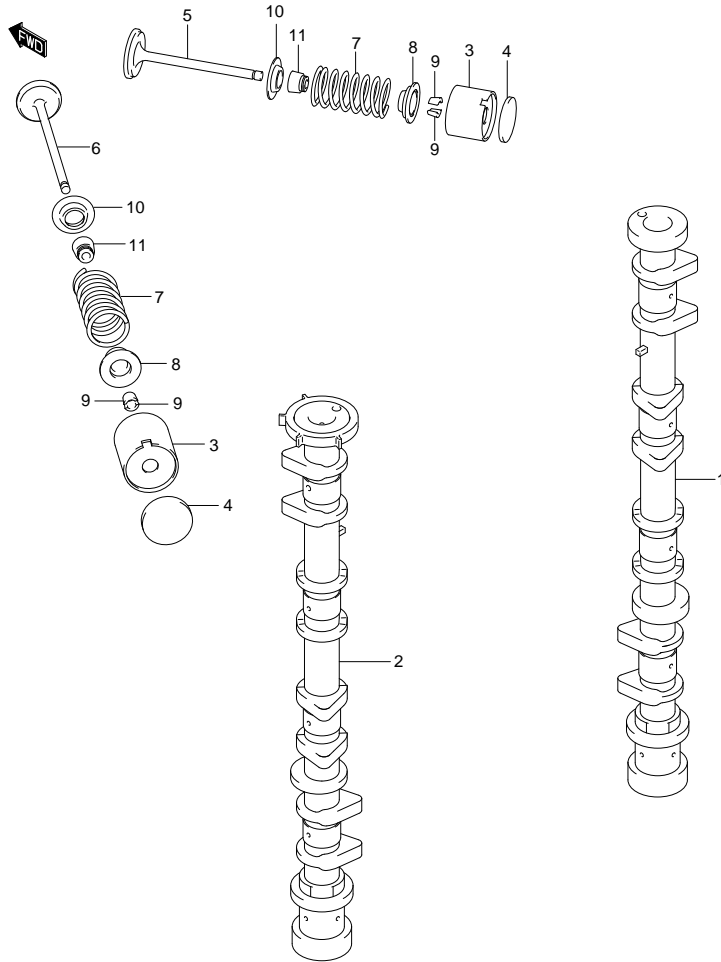


FIG.11 (1-B-12) CAMSHAFT (DF100T E1)

REF NO.	PART NO.	DESCRIPTION	Q'TY	REMARKS
1	12711-90J20	CAMSHAFT, INTAKE	1	
2	12720-90J20	CAMSHAFT, EXHAUST	1	
3	12891-69G00	TAPPET	16	
4-1	12892-69G10-218	SHIM, TAPPET	AR	
4-2	12892-69G10-220	SHIM, TAPPET	AR	
4-3	12892-69G10-223	SHIM, TAPPET	AR	
4-4	12892-69G10-225	SHIM, TAPPET	AR	
4-5	12892-69G10-228	SHIM, TAPPET	AR	
4-6	12892-69G10-230	SHIM, TAPPET	AR	
4-7	12892-69G10-233	SHIM, TAPPET	AR	
4-8	12892-69G10-235	SHIM, TAPPET	AR	
4-9	12892-69G10-238	SHIM, TAPPET	AR	
4-10	12892-69G10-240	SHIM, TAPPET	AR	
4-11	12892-69G10-243	SHIM, TAPPET	AR	
4-12	12892-69G10-245	SHIM, TAPPET	AR	
4-13	12892-69G10-248	SHIM, TAPPET	AR	
4-14	12892-69G10-250	SHIM, TAPPET	AR	
4-15	12892-69G10-253	SHIM, TAPPET	AR	
4-16	12892-69G10-255	SHIM, TAPPET	AR	
4-17	12892-69G10-258	SHIM, TAPPET	AR	
4-18	12892-69G10-260	SHIM, TAPPET	AR	
4-19	12892-69G10-263	SHIM, TAPPET	AR	
4-20	12892-69G10-265	SHIM, TAPPET	AR	
4-21	12892-69G10-268	SHIM, TAPPET	AR	
4-22	12892-69G10-270	SHIM, TAPPET	AR	
4-23	12892-69G10-273	SHIM, TAPPET	AR	
4-24	12892-69G10-275	SHIM, TAPPET	AR	
4-25	12892-69G10-278	SHIM, TAPPET	AR	

FIG.11

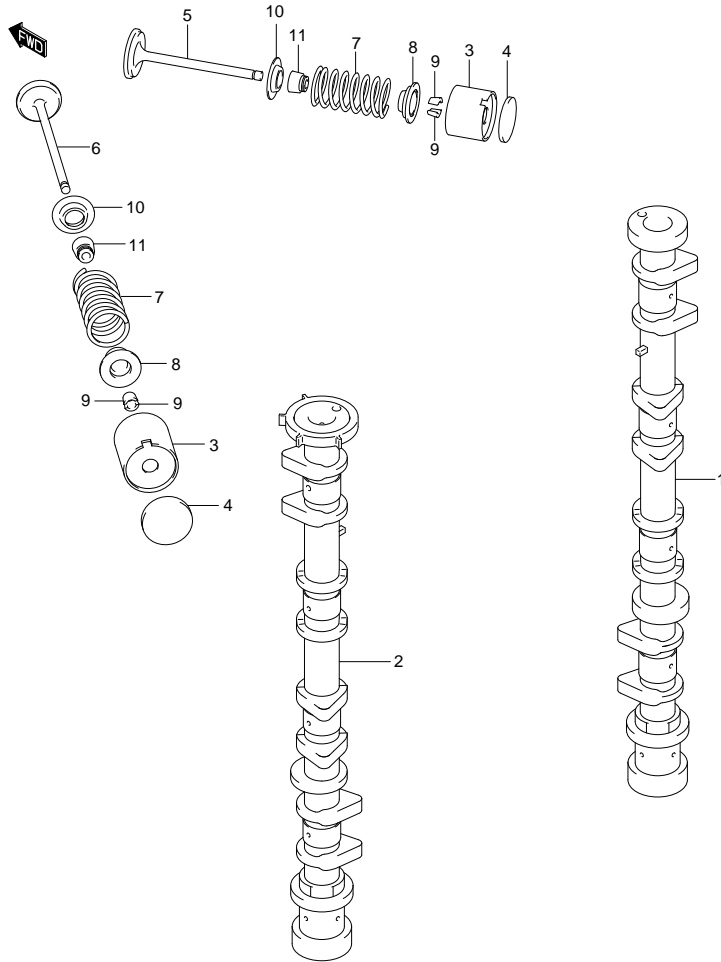


FIG. 11 (1-B-13) CAMSHAFT (DF100T E1)

REF NO.	PART NO.	DESCRIPTION	Q' TY	REMARKS
4-26	12892-69G10-280	SHIM, TAPPET	AR	
4-27	12892-69G10-283	SHIM, TAPPET	AR	
4-28	12892-69G10-285	SHIM, TAPPET	AR	
4-29	12892-69G10-288	SHIM, TAPPET	AR	
4-30	12892-69G10-290	SHIM, TAPPET	AR	
4-31	12892-69G10-293	SHIM, TAPPET	AR	
4-32	12892-69G10-295	SHIM, TAPPET	AR	
4-33	12892-69G10-298	SHIM, TAPPET	AR	
4-34	12892-69G10-300	SHIM, TAPPET	AR	
4-35	12892-90J00-303	SHIM, TAPPET	AR	OPT
4-36	12892-90J00-305	SHIM, TAPPET	AR	OPT
4-37	12892-90J00-308	SHIM, TAPPET	AR	OPT
4-38	12892-90J00-310	SHIM, TAPPET	AR	OPT
4-39	12892-90J00-313	SHIM, TAPPET	AR	OPT
5	12911-86FA1	VALVE, INTAKE	8	
6	12915-86FA1	VALVE, EXHAUST	8	
7	12921-90J00	SPRING, VALVE	16	
8	12931-90J00	RETAINER, VALVE SPRING	16	
9	12932-85FA0	COTTER, VALVE	32	
10	12933-86510	SEAT, VALVE SPRING	16	
11	09289-06003	OIL SEAL (6X12.8X10.2)	16	

FIG.12

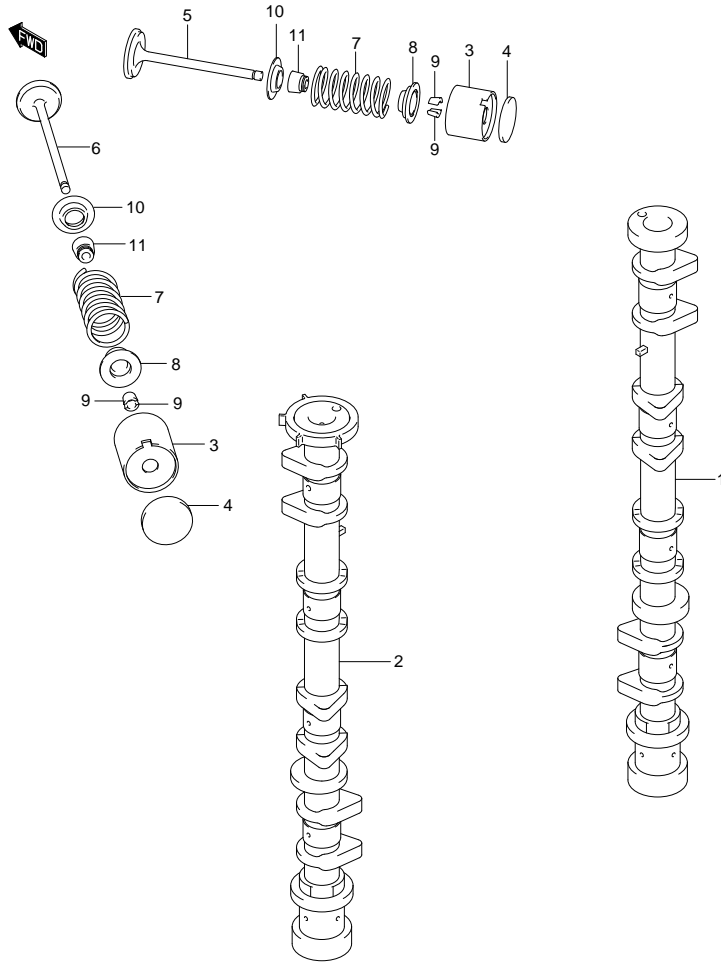


FIG.12 (1-B-14) CAMSHAFT (DF100T E40)

REF NO.	PART NO.	DESCRIPTION	Q' TY	REMARKS
1	12711-90J20	CAMSHAFT, INTAKE	1	
2	12720-90J20	CAMSHAFT, EXHAUST	1	
3	12891-69G00	TAPPET	16	
4-1	12892-69G10-218	SHIM, TAPPET	AR	
4-2	12892-69G10-220	SHIM, TAPPET	AR	
4-3	12892-69G10-223	SHIM, TAPPET	AR	
4-4	12892-69G10-225	SHIM, TAPPET	AR	
4-5	12892-69G10-228	SHIM, TAPPET	AR	
4-6	12892-69G10-230	SHIM, TAPPET	AR	
4-7	12892-69G10-233	SHIM, TAPPET	AR	
4-8	12892-69G10-235	SHIM, TAPPET	AR	
4-9	12892-69G10-238	SHIM, TAPPET	AR	
4-10	12892-69G10-240	SHIM, TAPPET	AR	
4-11	12892-69G10-243	SHIM, TAPPET	AR	
4-12	12892-69G10-245	SHIM, TAPPET	AR	
4-13	12892-69G10-248	SHIM, TAPPET	AR	
4-14	12892-69G10-250	SHIM, TAPPET	AR	
4-15	12892-69G10-253	SHIM, TAPPET	AR	
4-16	12892-69G10-255	SHIM, TAPPET	AR	
4-17	12892-69G10-258	SHIM, TAPPET	AR	
4-18	12892-69G10-260	SHIM, TAPPET	AR	
4-19	12892-69G10-263	SHIM, TAPPET	AR	
4-20	12892-69G10-265	SHIM, TAPPET	AR	
4-21	12892-69G10-268	SHIM, TAPPET	AR	
4-22	12892-69G10-270	SHIM, TAPPET	AR	
4-23	12892-69G10-273	SHIM, TAPPET	AR	
4-24	12892-69G10-275	SHIM, TAPPET	AR	
4-25	12892-69G10-278	SHIM, TAPPET	AR	

FIG.12

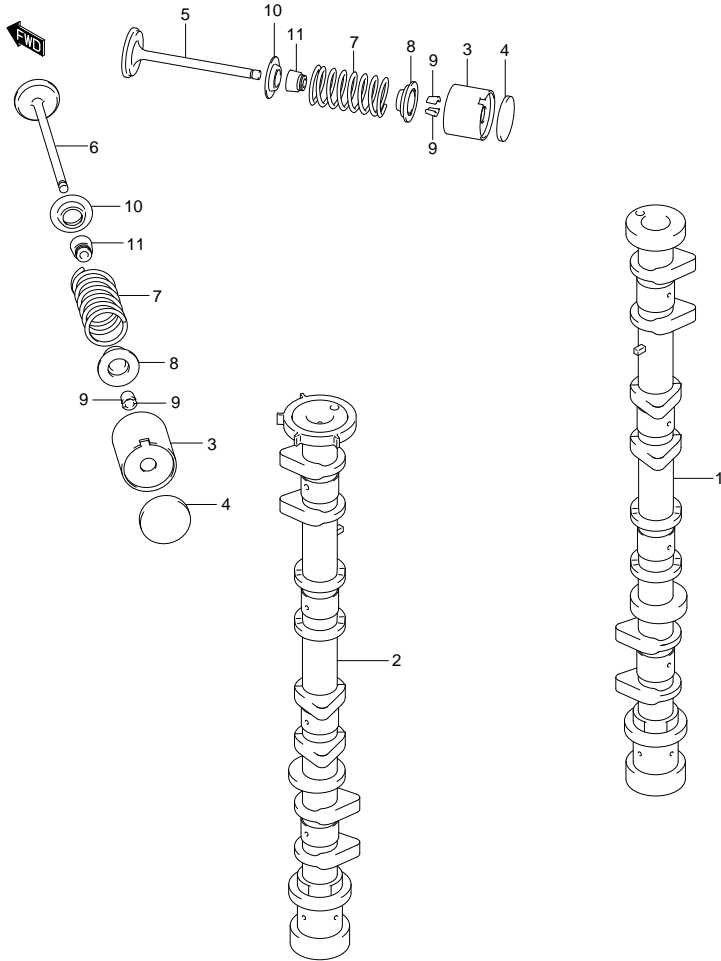


FIG. 12 (1-B-15) CAMSHAFT (DF100T E40)

REF NO.	PART NO.	DESCRIPTION	Q' TY	REMARKS
4-26	12892-69G10-280	SHIM, TAPPET	AR	
4-27	12892-69G10-283	SHIM, TAPPET	AR	
4-28	12892-69G10-285	SHIM, TAPPET	AR	
4-29	12892-69G10-288	SHIM, TAPPET	AR	
4-30	12892-69G10-290	SHIM, TAPPET	AR	
4-31	12892-69G10-293	SHIM, TAPPET	AR	
4-32	12892-69G10-295	SHIM, TAPPET	AR	
4-33	12892-69G10-298	SHIM, TAPPET	AR	
4-34	12892-69G10-300	SHIM, TAPPET	AR	
4-35	12892-90J00-303	SHIM, TAPPET	AR	OPT
4-36	12892-90J00-305	SHIM, TAPPET	AR	OPT
4-37	12892-90J00-308	SHIM, TAPPET	AR	OPT
4-38	12892-90J00-310	SHIM, TAPPET	AR	OPT
4-39	12892-90J00-313	SHIM, TAPPET	AR	OPT
5	12911-86FA1	VALVE, INTAKE	8	
6	12915-86F50	VALVE, EXHAUST	8	
7	12921-90J00	SPRING, VALVE	16	
8	12931-90J00	RETAINER, VALVE SPRING	16	
9	12932-85FA0	COTTER, VALVE	32	
10	12933-86510	SEAT, VALVE SPRING	16	
11	09289-06003	OIL SEAL (6X12.8X10.2)	16	

FIG.13

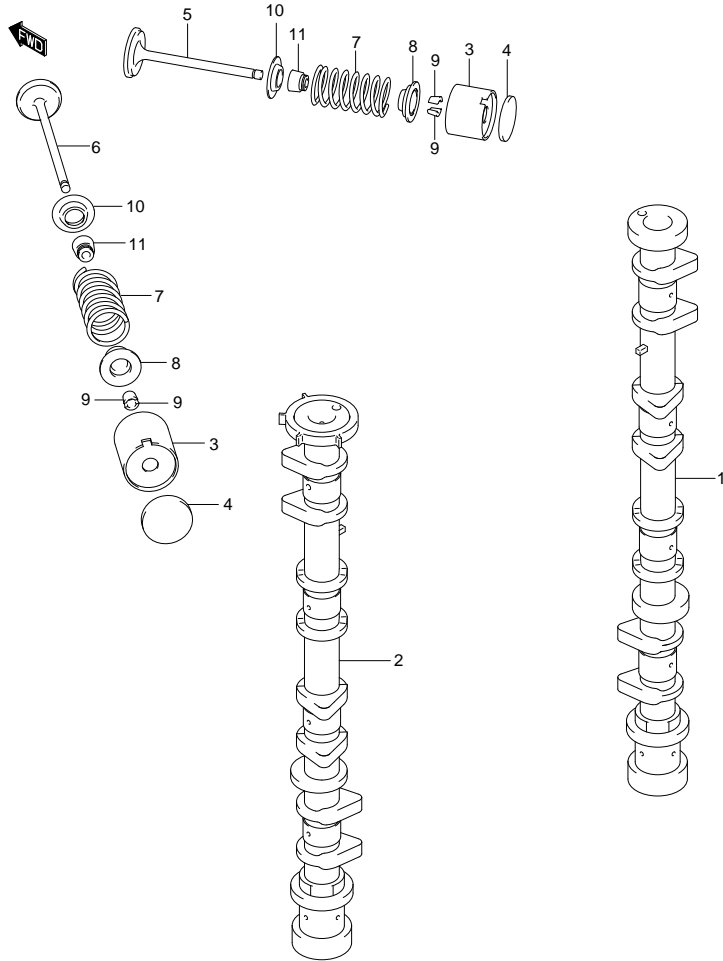


FIG.13 (1-C-2) CAMSHAFT (DF115T E1)

REF NO.	PART NO.	DESCRIPTION	Q'TY	REMARKS
1	12711-90J11	CAMSHAFT, INTAKE	1	
2	12720-90J20	CAMSHAFT, EXHAUST	1	
3	12891-69G00	TAPPET	16	
4-1	12892-69G10-218	SHIM, TAPPET	AR	
4-2	12892-69G10-220	SHIM, TAPPET	AR	
4-3	12892-69G10-223	SHIM, TAPPET	AR	
4-4	12892-69G10-225	SHIM, TAPPET	AR	
4-5	12892-69G10-228	SHIM, TAPPET	AR	
4-6	12892-69G10-230	SHIM, TAPPET	AR	
4-7	12892-69G10-233	SHIM, TAPPET	AR	
4-8	12892-69G10-235	SHIM, TAPPET	AR	
4-9	12892-69G10-238	SHIM, TAPPET	AR	
4-10	12892-69G10-240	SHIM, TAPPET	AR	
4-11	12892-69G10-243	SHIM, TAPPET	AR	
4-12	12892-69G10-245	SHIM, TAPPET	AR	
4-13	12892-69G10-248	SHIM, TAPPET	AR	
4-14	12892-69G10-250	SHIM, TAPPET	AR	
4-15	12892-69G10-253	SHIM, TAPPET	AR	
4-16	12892-69G10-255	SHIM, TAPPET	AR	
4-17	12892-69G10-258	SHIM, TAPPET	AR	
4-18	12892-69G10-260	SHIM, TAPPET	AR	
4-19	12892-69G10-263	SHIM, TAPPET	AR	
4-20	12892-69G10-265	SHIM, TAPPET	AR	
4-21	12892-69G10-268	SHIM, TAPPET	AR	
4-22	12892-69G10-270	SHIM, TAPPET	AR	
4-23	12892-69G10-273	SHIM, TAPPET	AR	
4-24	12892-69G10-275	SHIM, TAPPET	AR	
4-25	12892-69G10-278	SHIM, TAPPET	AR	

FIG.13

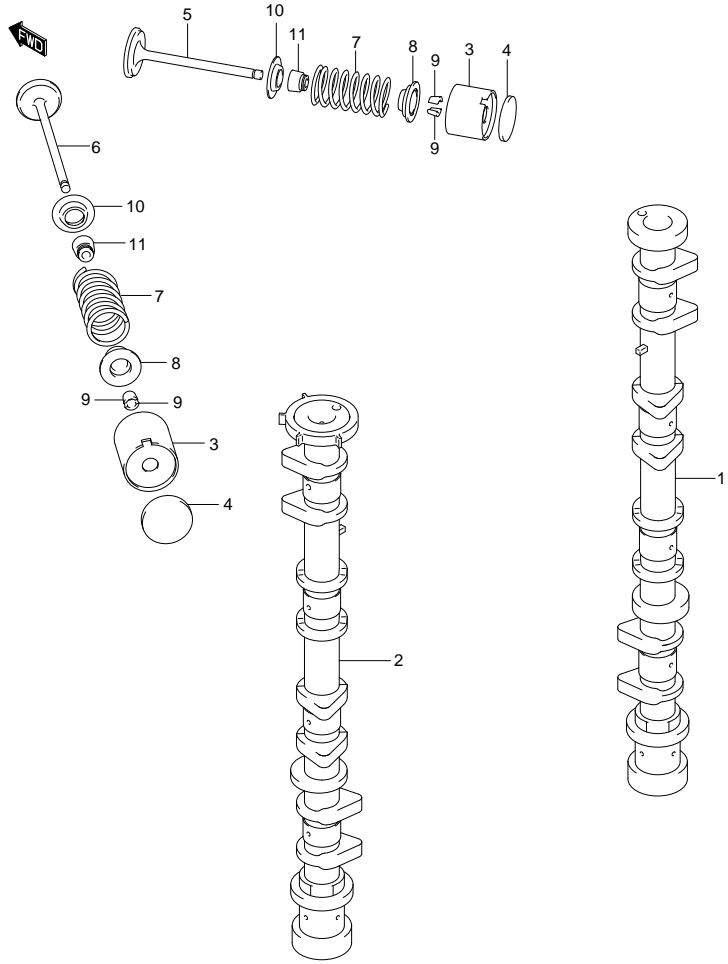


FIG. 13 (1-C-3) CAMSHAFT (DF115T E1)

REF NO.	PART NO.	DESCRIPTION	Q' TY	REMARKS
4-26	12892-69G10-280	SHIM, TAPPET	AR	
4-27	12892-69G10-283	SHIM, TAPPET	AR	
4-28	12892-69G10-285	SHIM, TAPPET	AR	
4-29	12892-69G10-288	SHIM, TAPPET	AR	
4-30	12892-69G10-290	SHIM, TAPPET	AR	
4-31	12892-69G10-293	SHIM, TAPPET	AR	
4-32	12892-69G10-295	SHIM, TAPPET	AR	
4-33	12892-69G10-298	SHIM, TAPPET	AR	
4-34	12892-69G10-300	SHIM, TAPPET	AR	
4-35	12892-90J00-303	SHIM, TAPPET	AR	OPT
4-36	12892-90J00-305	SHIM, TAPPET	AR	OPT
4-37	12892-90J00-308	SHIM, TAPPET	AR	OPT
4-38	12892-90J00-310	SHIM, TAPPET	AR	OPT
4-39	12892-90J00-313	SHIM, TAPPET	AR	OPT
5	12911-86FA1	VALVE, INTAKE	8	
6	12915-86FA1	VALVE, EXHAUST	8	
7	12921-90J00	SPRING, VALVE	16	
8	12931-90J00	RETAINER, VALVE SPRING	16	
9	12932-85FA0	COTTER, VALVE	32	
10	12933-86510	SEAT, VALVE SPRING	16	
11	09289-06003	OIL SEAL (6X12.8X10.2)	16	

FIG.14

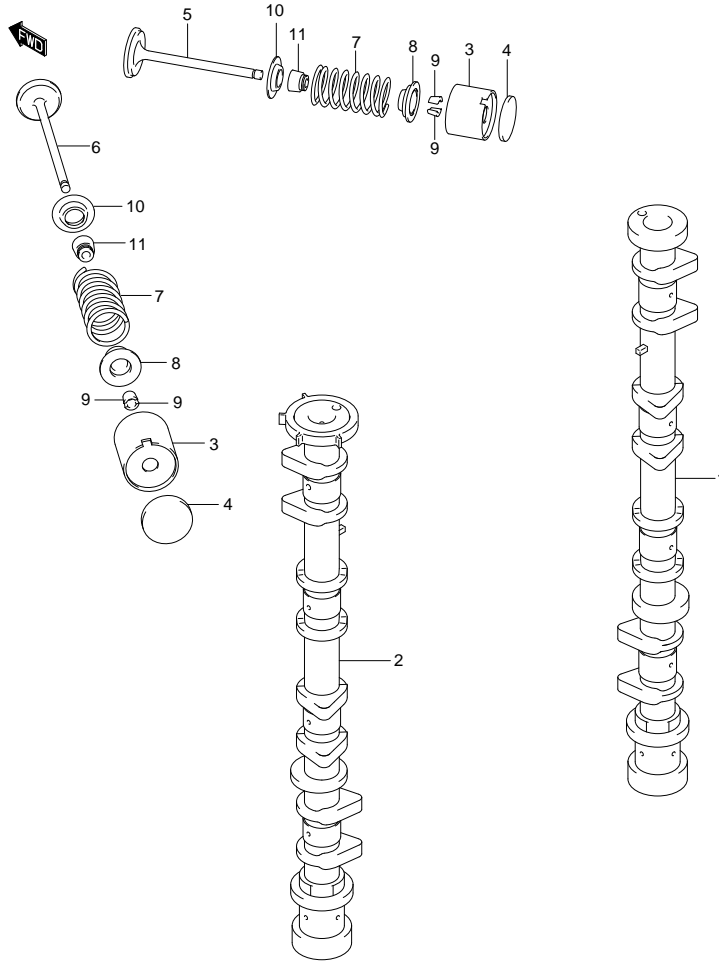


FIG. 14 (1-C-4) CAMSHAFT (DF115T F40)

REF NO.	PART NO.	DESCRIPTION	Q' TY	REMARKS
1	12711-90J11	CAMSHAFT, INTAKE	1	
2	12720-90J20	CAMSHAFT, EXHAUST	1	
3	12891-69G00	TAPPET	16	
4-1	12892-69G10-218	SHIM, TAPPET	AR	
4-2	12892-69G10-220	SHIM, TAPPET	AR	
4-3	12892-69G10-223	SHIM, TAPPET	AR	
4-4	12892-69G10-225	SHIM, TAPPET	AR	
4-5	12892-69G10-228	SHIM, TAPPET	AR	
4-6	12892-69G10-230	SHIM, TAPPET	AR	
4-7	12892-69G10-233	SHIM, TAPPET	AR	
4-8	12892-69G10-235	SHIM, TAPPET	AR	
4-9	12892-69G10-238	SHIM, TAPPET	AR	
4-10	12892-69G10-240	SHIM, TAPPET	AR	
4-11	12892-69G10-243	SHIM, TAPPET	AR	
4-12	12892-69G10-245	SHIM, TAPPET	AR	
4-13	12892-69G10-248	SHIM, TAPPET	AR	
4-14	12892-69G10-250	SHIM, TAPPET	AR	
4-15	12892-69G10-253	SHIM, TAPPET	AR	
4-16	12892-69G10-255	SHIM, TAPPET	AR	
4-17	12892-69G10-258	SHIM, TAPPET	AR	
4-18	12892-69G10-260	SHIM, TAPPET	AR	
4-19	12892-69G10-263	SHIM, TAPPET	AR	
4-20	12892-69G10-265	SHIM, TAPPET	AR	
4-21	12892-69G10-268	SHIM, TAPPET	AR	
4-22	12892-69G10-270	SHIM, TAPPET	AR	
4-23	12892-69G10-273	SHIM, TAPPET	AR	
4-24	12892-69G10-275	SHIM, TAPPET	AR	
4-25	12892-69G10-278	SHIM, TAPPET	AR	

FIG.14

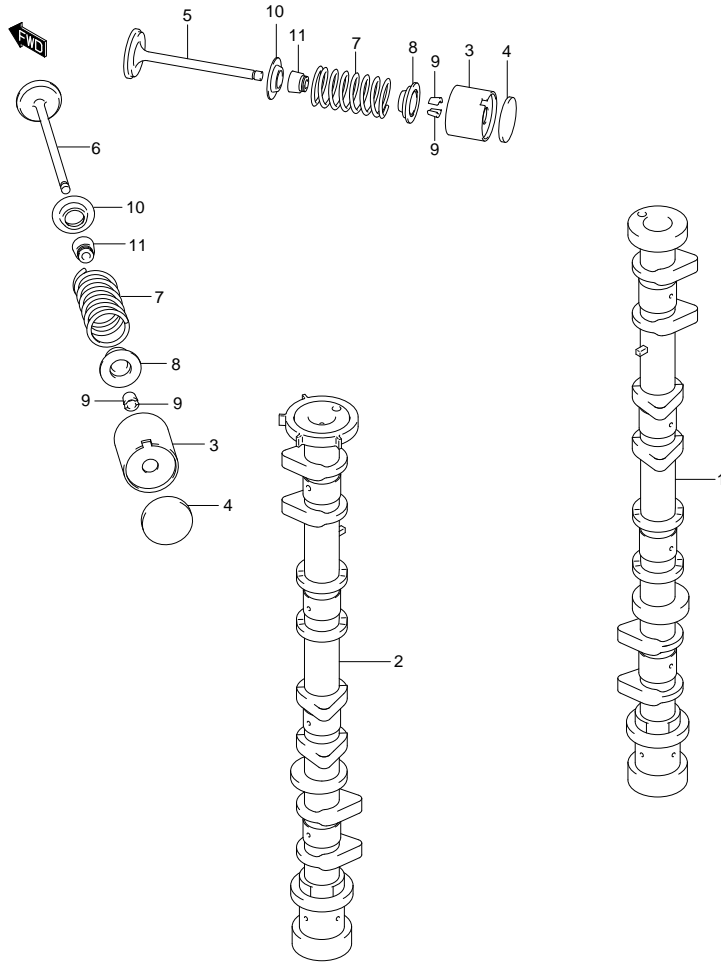


FIG. 14 (1-C-5) CAMSHAFT (DF115T F40)

REF NO.	PART NO.	DESCRIPTION	Q' TY	REMARKS
4-26	12892-69G10-280	SHIM, TAPPET	AR	
4-27	12892-69G10-283	SHIM, TAPPET	AR	
4-28	12892-69G10-285	SHIM, TAPPET	AR	
4-29	12892-69G10-288	SHIM, TAPPET	AR	
4-30	12892-69G10-290	SHIM, TAPPET	AR	
4-31	12892-69G10-293	SHIM, TAPPET	AR	
4-32	12892-69G10-295	SHIM, TAPPET	AR	
4-33	12892-69G10-298	SHIM, TAPPET	AR	
4-34	12892-69G10-300	SHIM, TAPPET	AR	
4-35	12892-90J00-303	SHIM, TAPPET	AR	OPT
4-36	12892-90J00-305	SHIM, TAPPET	AR	OPT
4-37	12892-90J00-308	SHIM, TAPPET	AR	OPT
4-38	12892-90J00-310	SHIM, TAPPET	AR	OPT
4-39	12892-90J00-313	SHIM, TAPPET	AR	OPT
5	12911-86FA1	VALVE, INTAKE	8	
6	12915-86F50	VALVE, EXHAUST	8	
7	12921-90J00	SPRING, VALVE	16	
8	12931-90J00	RETAINER, VALVE SPRING	16	
9	12932-85FA0	COTTER, VALVE	32	
10	12933-86510	SEAT, VALVE SPRING	16	
11	09289-06003	OIL SEAL (6X12.8X10.2)	16	

FIG.15

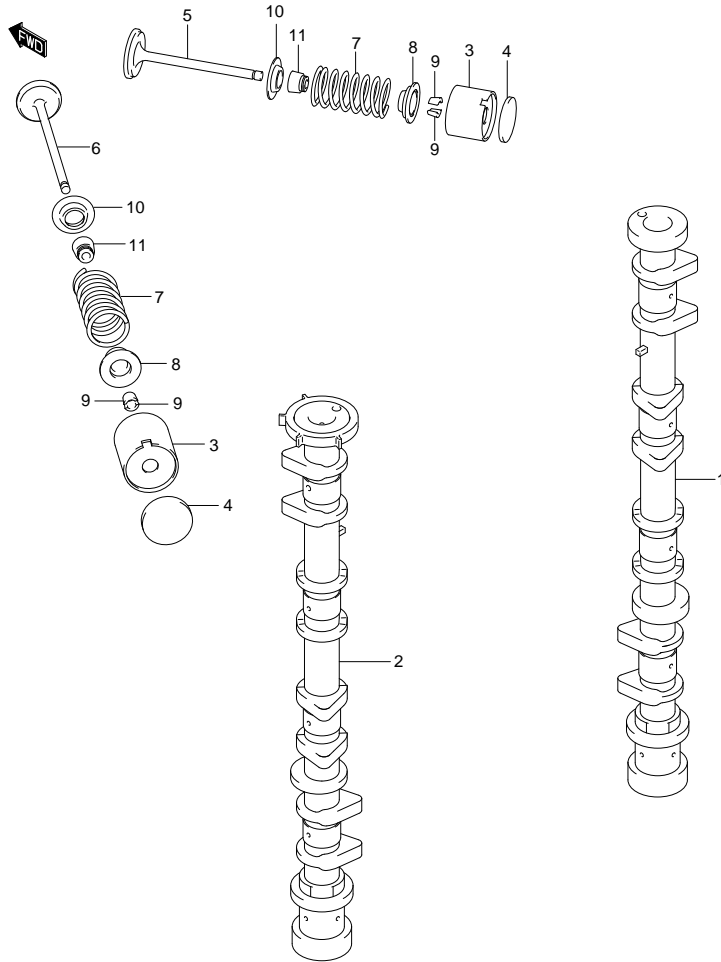


FIG. 15 (1-C-6) CAMSHAFT (DF115Z E1)

REF NO.	PART NO.	DESCRIPTION	Q' TY	REMARKS
1	12711-90J11	CAMSHAFT, INTAKE	1	
2	12720-90J20	CAMSHAFT, EXHAUST	1	
3	12891-69G00	TAPPET	16	
4-1	12892-69G10-218	SHIM, TAPPET	AR	
4-2	12892-69G10-220	SHIM, TAPPET	AR	
4-3	12892-69G10-223	SHIM, TAPPET	AR	
4-4	12892-69G10-225	SHIM, TAPPET	AR	
4-5	12892-69G10-228	SHIM, TAPPET	AR	
4-6	12892-69G10-230	SHIM, TAPPET	AR	
4-7	12892-69G10-233	SHIM, TAPPET	AR	
4-8	12892-69G10-235	SHIM, TAPPET	AR	
4-9	12892-69G10-238	SHIM, TAPPET	AR	
4-10	12892-69G10-240	SHIM, TAPPET	AR	
4-11	12892-69G10-243	SHIM, TAPPET	AR	
4-12	12892-69G10-245	SHIM, TAPPET	AR	
4-13	12892-69G10-248	SHIM, TAPPET	AR	
4-14	12892-69G10-250	SHIM, TAPPET	AR	
4-15	12892-69G10-253	SHIM, TAPPET	AR	
4-16	12892-69G10-255	SHIM, TAPPET	AR	
4-17	12892-69G10-258	SHIM, TAPPET	AR	
4-18	12892-69G10-260	SHIM, TAPPET	AR	
4-19	12892-69G10-263	SHIM, TAPPET	AR	
4-20	12892-69G10-265	SHIM, TAPPET	AR	
4-21	12892-69G10-268	SHIM, TAPPET	AR	
4-22	12892-69G10-270	SHIM, TAPPET	AR	
4-23	12892-69G10-273	SHIM, TAPPET	AR	
4-24	12892-69G10-275	SHIM, TAPPET	AR	
4-25	12892-69G10-278	SHIM, TAPPET	AR	

FIG.15

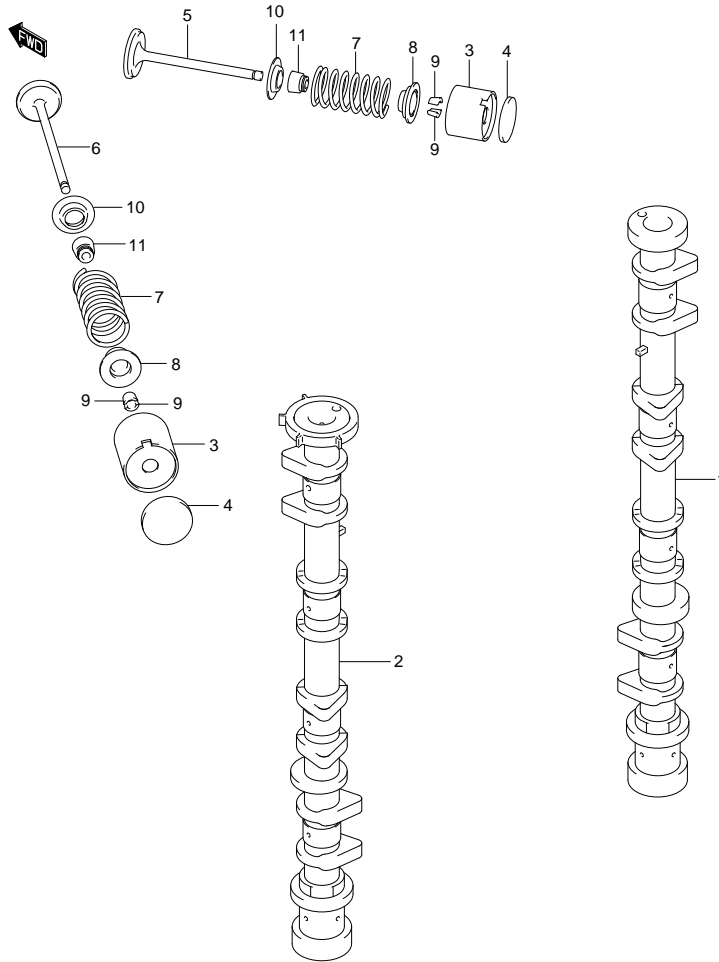


FIG. 15 (1-G-7) CAMSHAFT (DF115Z E1)

REF NO.	PART NO.	DESCRIPTION	Q' TY	REMARKS
4-26	12892-69G10-280	SHIM, TAPPET	AR	
4-27	12892-69G10-283	SHIM, TAPPET	AR	
4-28	12892-69G10-285	SHIM, TAPPET	AR	
4-29	12892-69G10-288	SHIM, TAPPET	AR	
4-30	12892-69G10-290	SHIM, TAPPET	AR	
4-31	12892-69G10-293	SHIM, TAPPET	AR	
4-32	12892-69G10-295	SHIM, TAPPET	AR	
4-33	12892-69G10-298	SHIM, TAPPET	AR	
4-34	12892-69G10-300	SHIM, TAPPET	AR	
4-35	12892-90J00-303	SHIM, TAPPET	AR	OPT
4-36	12892-90J00-305	SHIM, TAPPET	AR	OPT
4-37	12892-90J00-308	SHIM, TAPPET	AR	OPT
4-38	12892-90J00-310	SHIM, TAPPET	AR	OPT
4-39	12892-90J00-313	SHIM, TAPPET	AR	OPT
5	12911-86FA1	VALVE, INTAKE	8	
6	12915-86FA1	VALVE, EXHAUST	8	
7	12921-90J00	SPRING, VALVE	16	
8	12931-90J00	RETAINER, VALVE SPRING	16	
9	12932-85FA0	COTTER, VALVE	32	
10	12933-86510	SEAT, VALVE SPRING	16	
11	09289-06003	OIL SEAL (6X12.8X10.2)	16	

FIG.16

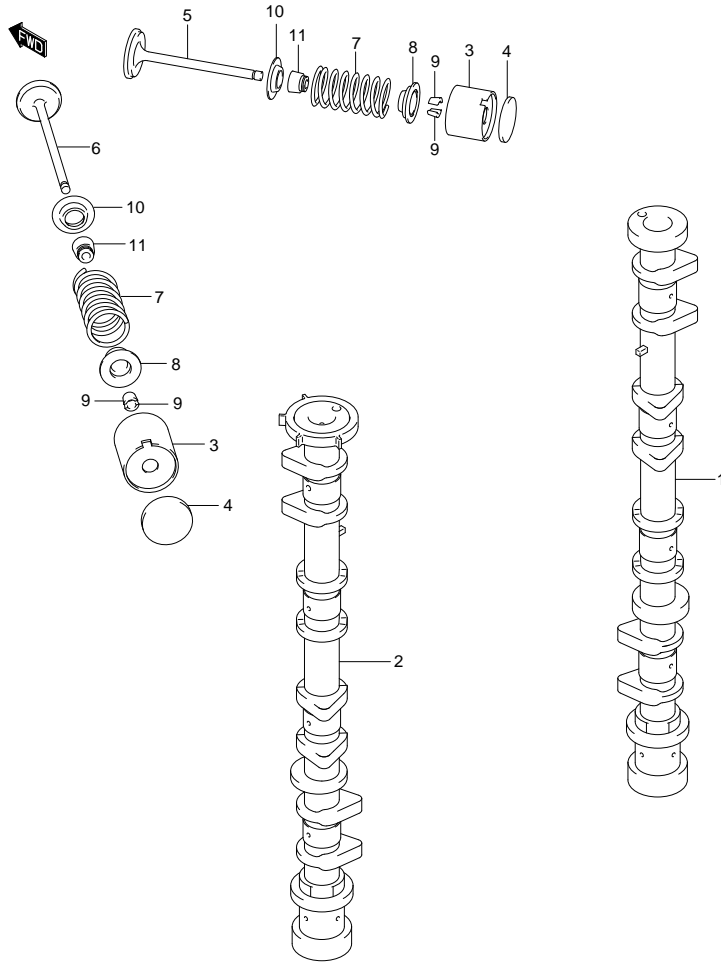


FIG.16 (1-C-8) CAMSHAFT (DF115Z F40)

REF NO.	PART NO.	DESCRIPTION	Q'TY	REMARKS
1	12711-90J11	CAMSHAFT, INTAKE	1	
2	12720-90J20	CAMSHAFT, EXHAUST	1	
3	12891-69G00	TAPPET	16	
4-1	12892-69G10-218	SHIM, TAPPET	AR	
4-2	12892-69G10-220	SHIM, TAPPET	AR	
4-3	12892-69G10-223	SHIM, TAPPET	AR	
4-4	12892-69G10-225	SHIM, TAPPET	AR	
4-5	12892-69G10-228	SHIM, TAPPET	AR	
4-6	12892-69G10-230	SHIM, TAPPET	AR	
4-7	12892-69G10-233	SHIM, TAPPET	AR	
4-8	12892-69G10-235	SHIM, TAPPET	AR	
4-9	12892-69G10-238	SHIM, TAPPET	AR	
4-10	12892-69G10-240	SHIM, TAPPET	AR	
4-11	12892-69G10-243	SHIM, TAPPET	AR	
4-12	12892-69G10-245	SHIM, TAPPET	AR	
4-13	12892-69G10-248	SHIM, TAPPET	AR	
4-14	12892-69G10-250	SHIM, TAPPET	AR	
4-15	12892-69G10-253	SHIM, TAPPET	AR	
4-16	12892-69G10-255	SHIM, TAPPET	AR	
4-17	12892-69G10-258	SHIM, TAPPET	AR	
4-18	12892-69G10-260	SHIM, TAPPET	AR	
4-19	12892-69G10-263	SHIM, TAPPET	AR	
4-20	12892-69G10-265	SHIM, TAPPET	AR	
4-21	12892-69G10-268	SHIM, TAPPET	AR	
4-22	12892-69G10-270	SHIM, TAPPET	AR	
4-23	12892-69G10-273	SHIM, TAPPET	AR	
4-24	12892-69G10-275	SHIM, TAPPET	AR	
4-25	12892-69G10-278	SHIM, TAPPET	AR	

FIG.16

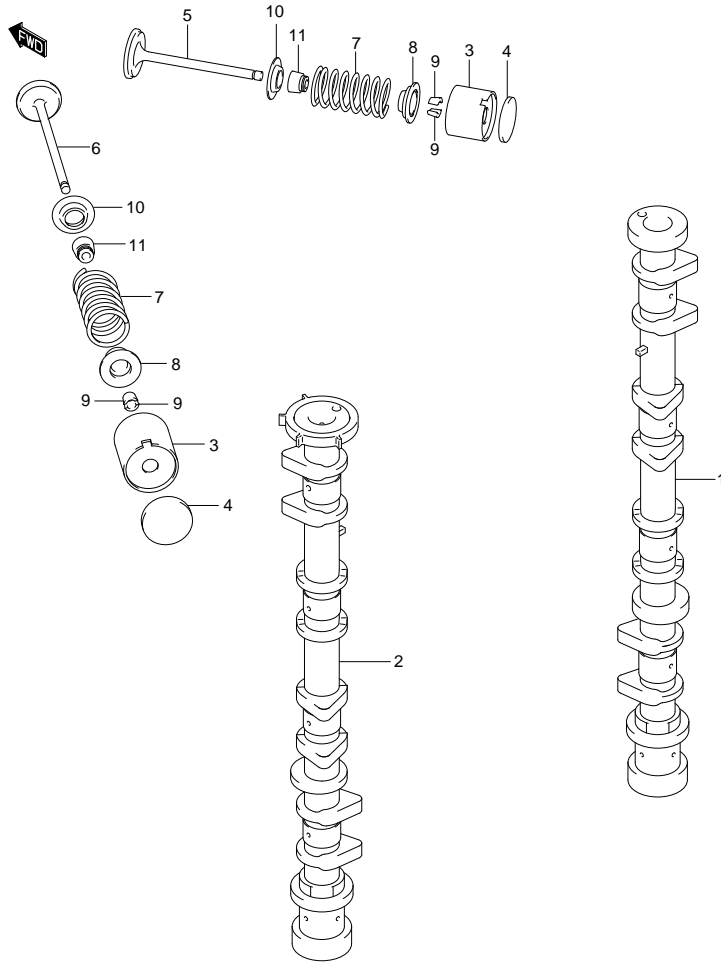
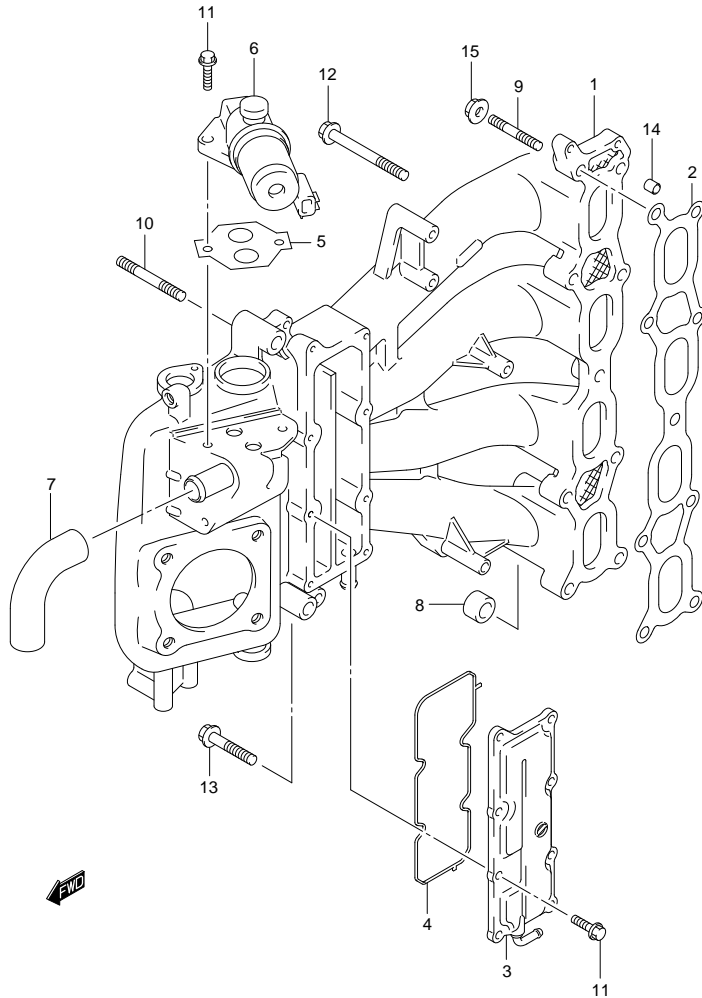


FIG.16 (1-C-9) CAMSHAFT (DF115Z F40)

REF NO.	PART NO.	DESCRIPTION	Q' TY	REMARKS
4-26	12892-69G10-280	SHIM, TAPPET	AR	
4-27	12892-69G10-283	SHIM, TAPPET	AR	
4-28	12892-69G10-285	SHIM, TAPPET	AR	
4-29	12892-69G10-288	SHIM, TAPPET	AR	
4-30	12892-69G10-290	SHIM, TAPPET	AR	
4-31	12892-69G10-293	SHIM, TAPPET	AR	
4-32	12892-69G10-295	SHIM, TAPPET	AR	
4-33	12892-69G10-298	SHIM, TAPPET	AR	
4-34	12892-69G10-300	SHIM, TAPPET	AR	
4-35	12892-90J00-303	SHIM, TAPPET	AR	OPT
4-36	12892-90J00-305	SHIM, TAPPET	AR	OPT
4-37	12892-90J00-308	SHIM, TAPPET	AR	OPT
4-38	12892-90J00-310	SHIM, TAPPET	AR	OPT
4-39	12892-90J00-313	SHIM, TAPPET	AR	OPT
5	12911-86FA1	VALVE, INTAKE	8	
6	12915-86F50	VALVE, EXHAUST	8	
7	12921-90J00	SPRING, VALVE	16	
8	12931-90J00	RETAINER, VALVE SPRING	16	
9	12932-85FA0	COTTER, VALVE	32	
10	12933-86510	SEAT, VALVE SPRING	16	
11	09289-06003	OIL SEAL (6X12.8X10.2)	16	

FIG.17

FIG.17 (1-C-10) INTAKE MANIFOLD



REF NO.	PART NO.	DESCRIPTION	Q'TY	REMARKS
1	13110-90J02	MANIFOLD, INTAKE	1	
2	13119-90J00	GASKET, INTAKE MANIFOLD	1	
3	13140-90J00	COVER, WTR JKT	1	
4	13145-90J00	O RING, WTR JKT COVER	1	
5	18134-77E00	GASKET, IAC VALVE	1	
6	18137-77E00	VALVE, IAC	1	
7	18141-90J00	HOSE, IAC	1	
8	09329-12004	CUSHION	1	
9	01421-08357	STUD BOLT	1	
10	01421-08507	STUD BOLT	1	
11	01550-06207	BOLT	10	
12	01550-08407	BOLT	8	
13	01550-08757	BOLT	1	
14	04211-11129	PIN	2	
15	08316-10087	NUT	2	

FIG.18

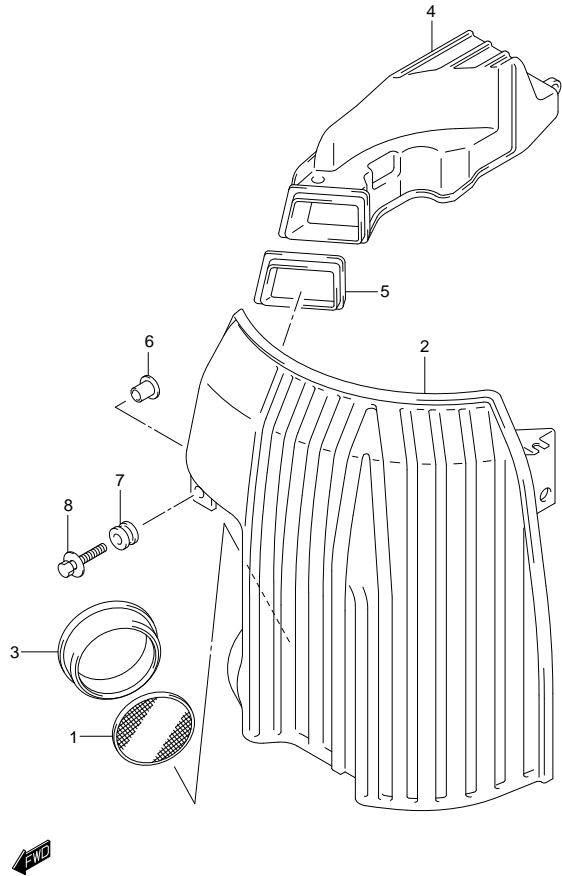


FIG.18 (1-C-11) SILENCER

REF NO.	PART NO.	DESCRIPTION	Q' TY	REMARKS
1	13710-99E00	ARRESTER, FLAME	1	
2	13810-90J00	SILENCER	1	
3	13813-90J00	HOLDER, FLAME ARRESTER	1	
4	13840-90J00	DUCT, SILENCER	1	
5	13851-90J00	GROMMET, SILENCER	1	
6	09169-06075	WASHER	5	
7	09320-09039	CUSHION	5	
8	09116-06215	BOLT (6X30)	5	W/WASHER

FIG.19

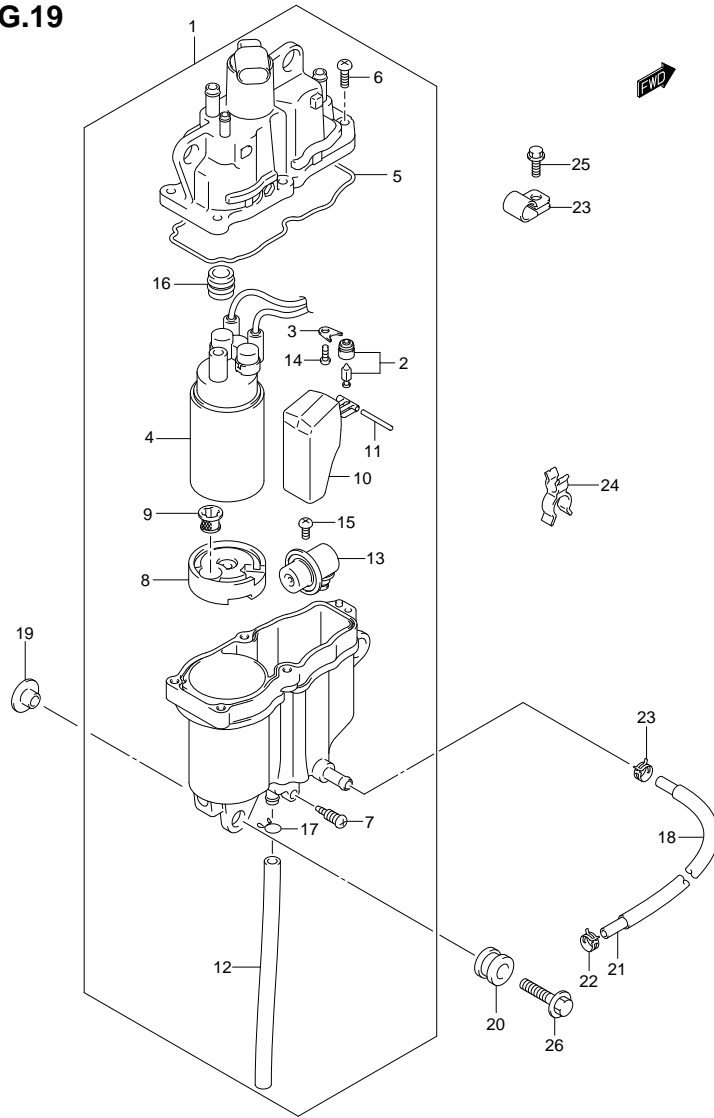


FIG.19 (1-G-12) FUEL VAPOR SEPARATOR (DF100T E1)

REF. NO.	PART NO.	DESCRIPTION	Q'TY	REMARKS
1	15600-90J00	SEPARATOR, FUEL VAPOR	1	
2	13370-99E00	·VALVE, NEEDLE	1	
3	13373-39110	·PLATE	1	
4	15200-90J00	·PUMP, FUEL	1	
5	15626-90J00	·SEAL	1	
6	15628-99E00	·SCREW (L:15)	5	
7	15629-99E10	·SCREW, DRAIN	1	
8	15641-90J00	·SPACER	1	
9	15642-90J00	·FILTER	1	
10	15650-99E00	·FLOAT	1	
11	15654-99E00	·PIN	1	
12	15683-87J00	·HOSE, DRAIN	1	L:240->120
13	15760-87J00	·REGULATOR	1	
14	02112-0408A	·SCREW	1	
15	02112-0510A	·SCREW	1	
16	15647-93J00	·BUSH	1	
17	13671-13F00	·CLIP	1	
18	18498-90J00	PROTECTOR, EVAP HOSE	1	L:290->140
19	09169-06075	WASHER	3	
20	09320-09039	CUSHION	3	
21	09352-50823-600	HOSE (5X8.2X600)	1	L:600->340
22	09401-08412	CLIP	2	
23	09403-13408	CLAMP	1	
24	09408-00124	CLIP	1	
25	01550-06127	BOLT	1	
26	09116-06202	BOLT (6X25)	3	W/WASHER

FIG.20

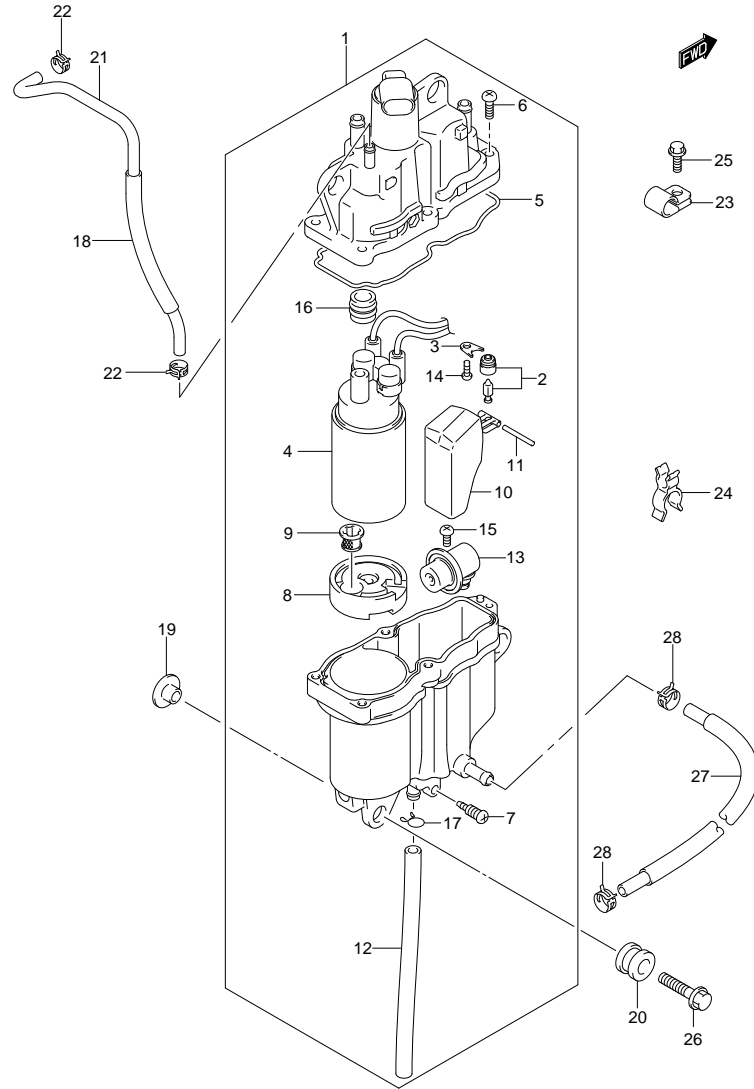


FIG. 20 (1-G-13) FUEL VAPOR SEPARATOR (DF100T E40)

REF NO.	PART NO.	DESCRIPTION	Q'TY	REMARKS
1	15600-90J10	SEPARATOR, FUEL VAPOR	1	
2	13370-99E10	·VALVE, NEEDLE	1	
3	13373-99E10	·PLATE	1	
4	15200-90J10	·PUMP, FUEL	1	
5	15626-90J10	·SEAL	1	
6	15628-99E00	·SCREW (L:15)	5	
7	15629-99E10	·SCREW, DRAIN	1	
8	15641-90J10	·SPACER, FUEL PUMP	1	
9	15642-90J00	·FILTER, FUEL PUMP	1	
10	15650-99E00	·FLOAT	1	
11	15654-99E00	·PIN	1	
12	15683-87J00	·HOSE, DRAIN	1	L:240->120
13	15760-87J00	·REGULATOR	1	
14	13614-89J00	·SCREW	1	
15	15631-99E10	·SCREW, REGULATOR	1	
16	15647-93J10	·BUSH	1	
17	13671-13F00	·CLIP	1	
18	18498-90J00	PROTECTOR, EVAP HOSE	1	L:290->140
19	09169-06075	WASHER	3	
20	09320-09039	CUSHION	3	
21	09352-50823-600	HOSE (5X8.2X600)	1	L:600->340
22	09401-08412	CLIP	2	
23	09403-13408	CLAMP	1	
24	09408-00124	CLIP	1	
25	01550-06127	BOLT	1	
26	09116-06202	BOLT (6X25)	3	W/WASHER
27	15680-90J01	HOSE, FUEL	1	
28	09401-11425	CLIP	2	

FIG.21

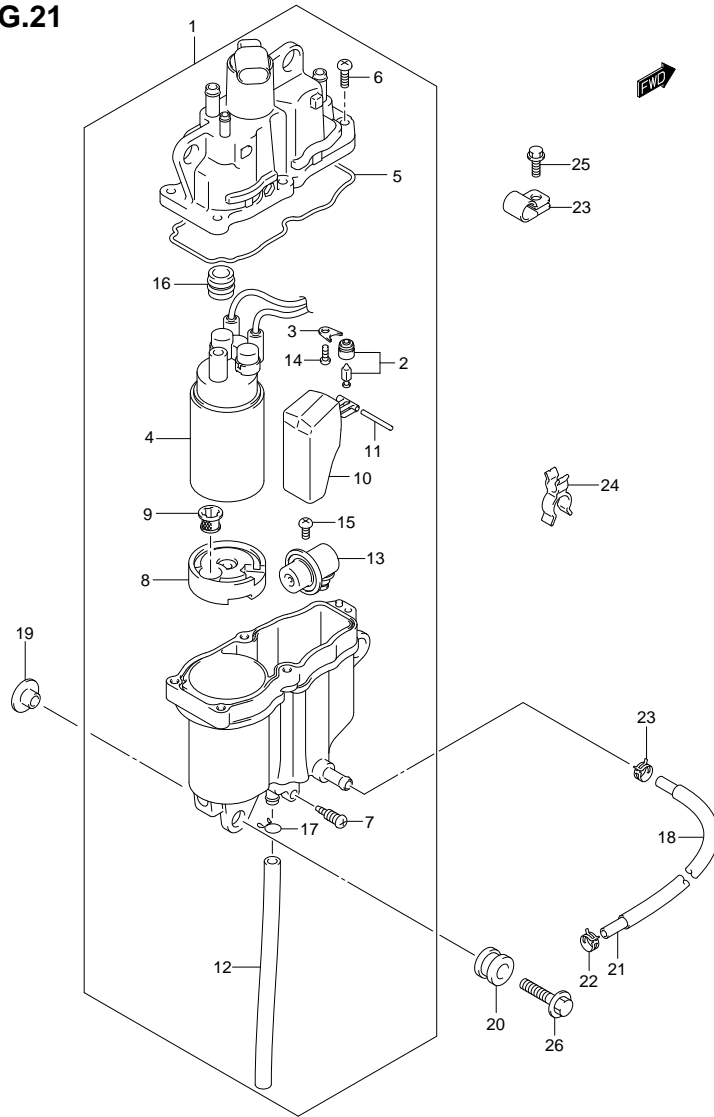


FIG. 21 (1-G-14) FUEL VAPOR SEPARATOR (DF115T E1)

REF NO.	PART NO.	DESCRIPTION	Q' TY	REMARKS
1	15600-90J00	SEPARATOR, FUEL VAPOR	1	
2	13370-99E00	·VALVE, NEEDLE	1	
3	13373-39110	·PLATE	1	
4	15200-90J00	·PUMP, FUEL	1	
5	15626-90J00	·SEAL	1	
6	15628-99E00	·SCREW (L:15)	5	
7	15629-99E10	·SCREW, DRAIN	1	
8	15641-90J00	·SPACER	1	
9	15642-90J00	·FILTER	1	
10	15650-99E00	·FLOAT	1	
11	15654-99E00	·PIN	1	
12	15683-87J00	·HOSE, DRAIN	1	L:240->120
13	15760-87J00	·REGULATOR	1	
14	02112-0408A	·SCREW	1	
15	02112-0510A	·SCREW	1	
16	15647-93J00	·BUSH	1	
17	13671-13F00	·CLIP	1	
18	18498-90J00	PROTECTOR, EVAP HOSE	1	L:290->140
19	09169-06075	WASHER	3	
20	09320-09039	CUSHION	3	
21	09352-50823-600	HOSE (5X8.2X600)	1	L:600->340
22	09401-08412	CLIP	2	
23	09403-13408	CLAMP	1	
24	09408-00124	CLIP	1	
25	01550-06127	BOLT	1	
26	09116-06202	BOLT (6X25)	3	W/WASHER

FIG.22

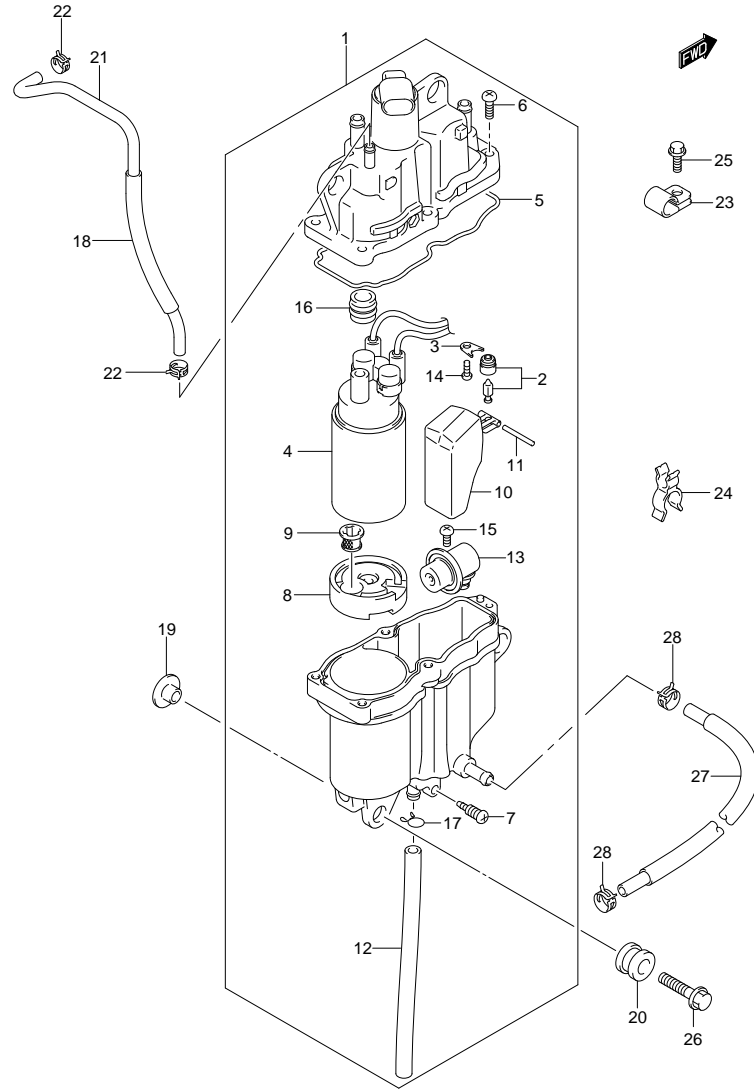


FIG. 22 (1-G-15) FUEL VAPOR SEPARATOR (DF115T E40)

REF NO.	PART NO.	DESCRIPTION	Q'TY	REMARKS
1	15600-90J10	SEPARATOR, FUEL VAPOR	1	
2	13370-99E10	·VALVE, NEEDLE	1	
3	13373-99E10	·PLATE	1	
4	15200-90J10	·PUMP, FUEL	1	
5	15626-90J10	·SEAL	1	
6	15628-99E00	·SCREW (L:15)	5	
7	15629-99E10	·SCREW, DRAIN	1	
8	15641-90J10	·SPACER, FUEL PUMP	1	
9	15642-90J00	·FILTER, FUEL PUMP	1	
10	15650-99E00	·FLOAT	1	
11	15654-99E00	·PIN	1	
12	15683-87J00	·HOSE, DRAIN	1	L:240->120
13	15760-87J00	·REGULATOR	1	
14	13614-89J00	·SCREW	1	
15	15631-99E10	·SCREW, REGULATOR	1	
16	15647-93J10	·BUSH	1	
17	13671-13F00	·CLIP	1	
18	18498-90J00	PROTECTOR, EVAP HOSE	1	L:290->140
19	09169-06075	WASHER	3	
20	09320-09039	CUSHION	3	
21	09352-50823-600	HOSE (5X8.2X600)	1	L:600->340
22	09401-08412	CLIP	2	
23	09403-13408	CLAMP	1	
24	09408-00124	CLIP	1	
25	01550-06127	BOLT	1	
26	09116-06202	BOLT (6X25)	3	W/WASHER
27	15680-90J01	HOSE, FUEL	1	
28	09401-11425	CLIP	2	

FIG.23

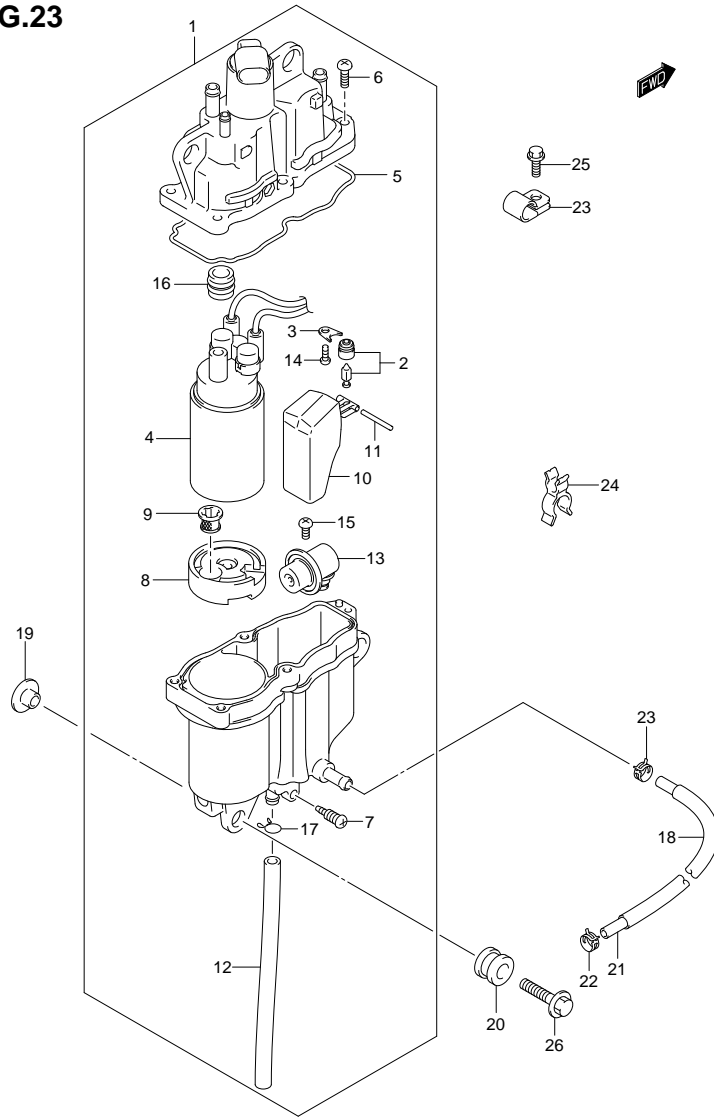


FIG. 23 (1-D-2) FUEL VAPOR SEPARATOR (DF115Z F1)

REF NO.	PART NO.	DESCRIPTION	Q'TY	REMARKS
1	15600-90J00	SEPARATOR, FUEL VAPOR	1	
2	13370-99E00	·VALVE, NEEDLE	1	
3	13373-39110	·PLATE	1	
4	15200-90J00	·PUMP, FUEL	1	
5	15626-90J00	·SEAL	1	
6	15628-99E00	·SCREW (L:15)	5	
7	15629-99E10	·SCREW, DRAIN	1	
8	15641-90J00	·SPACER	1	
9	15642-90J00	·FILTER	1	
10	15650-99E00	·FLOAT	1	
11	15654-99E00	·PIN	1	
12	15683-87J00	·HOSE, DRAIN	1	L:240->120
13	15760-87J00	·REGULATOR	1	
14	02112-0408A	·SCREW	1	
15	02112-0510A	·SCREW	1	
16	15647-93J00	·BUSH	1	
17	13671-13F00	·CLIP	1	
18	18498-90J00	PROTECTOR, EVAP HOSE	1	L:290->140
19	09169-06075	WASHER	3	
20	09320-09039	CUSHION	3	
21	09352-50823-600	HOSE (5X8.2X600)	1	L:600->340
22	09401-08412	CLIP	2	
23	09403-13408	CLAMP	1	
24	09408-00124	CLIP	1	
25	01550-06127	BOLT	1	
26	09116-06202	BOLT (6X25)	3	W/WASHER

FIG.24

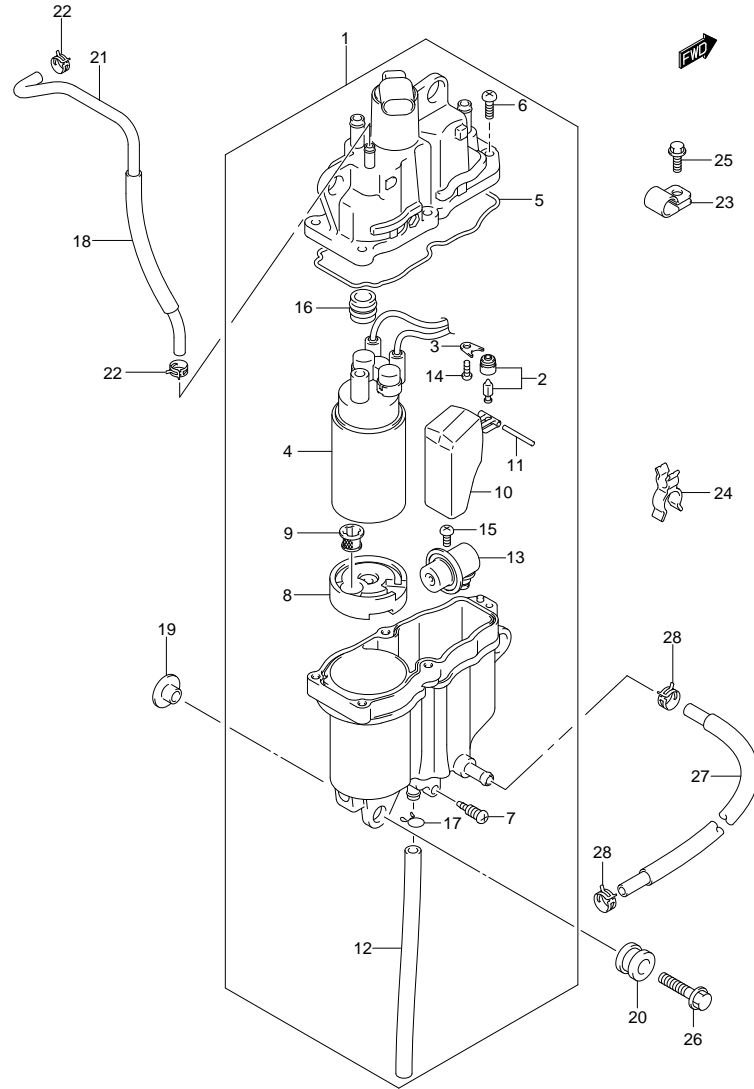
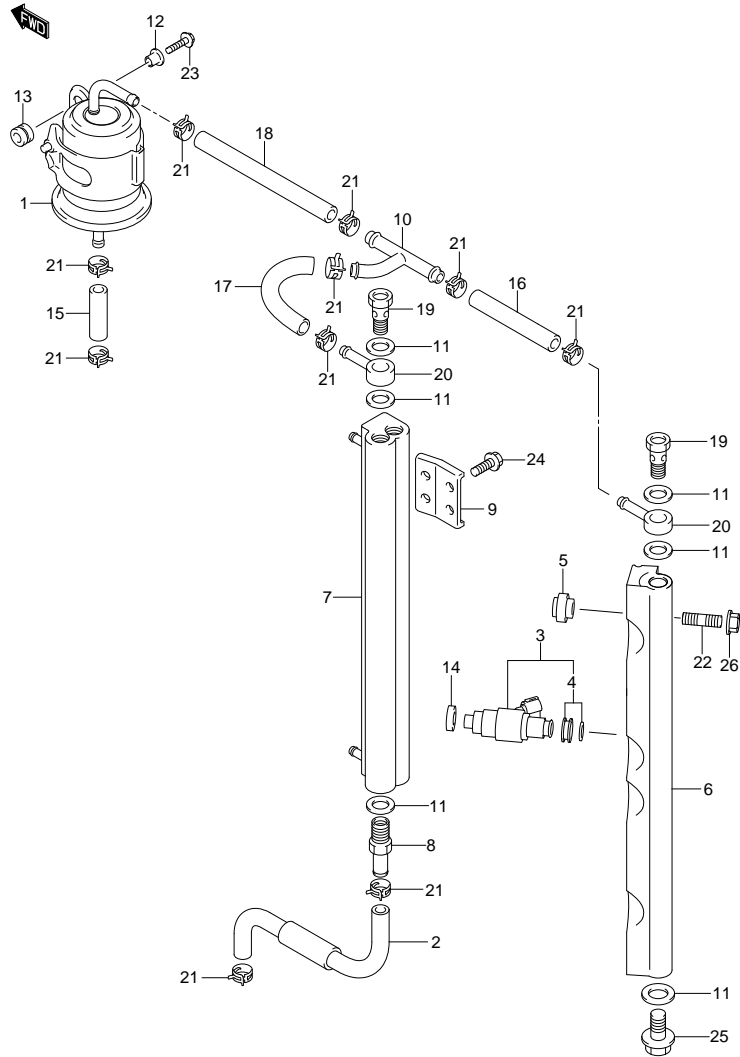


FIG. 24 (1-D-3) FUEL VAPOR SEPARATOR (DF115Z F40)

REF. NO.	PART NO.	DESCRIPTION	Q'TY	REMARKS
1	15600-90J10	SEPARATOR, FUEL VAPOR	1	
2	13370-99E10	·VALVE, NEEDLE	1	
3	13373-99E10	·PLATE	1	
4	15200-90J10	·PUMP, FUEL	1	
5	15626-90J10	·SEAL	1	
6	15628-99E00	·SCREW (L:15)	5	
7	15629-99E10	·SCREW, DRAIN	1	
8	15641-90J10	·SPACER, FUEL PUMP	1	
9	15642-90J00	·FILTER, FUEL PUMP	1	
10	15650-99E00	·FLOAT	1	
11	15654-99E00	·PIN	1	
12	15683-87J00	·HOSE, DRAIN	1	L:240->120
13	15760-87J00	·REGULATOR	1	
14	13614-89J00	·SCREW	1	
15	15631-99E10	·SCREW, REGULATOR	1	
16	15647-93J10	·BUSH	1	
17	13671-13F00	·CLIP	1	
18	18498-90J00	PROTECTOR, EVAP HOSE	1	L:290->140
19	09169-06075	WASHER	3	
20	09320-09039	CUSHION	3	
21	09352-50823-600	HOSE (5X8.2X600)	1	L:600->340
22	09401-08412	CLIP	2	
23	09403-13408	CLAMP	1	
24	09408-00124	CLIP	1	
25	01550-06127	BOLT	1	
26	09116-06202	BOLT (6X25)	3	W/WASHER
27	15680-90J01	HOSE, FUEL	1	
28	09401-11425	CLIP	2	

FIG.25

FIG.25 (1-D-4) FUEL INJECTOR (DF100T E1)



REF NO.	PART NO.	DESCRIPTION	Q'TY	REMARKS
1	15440-90J00	FILTER, FUEL	1	
2	15680-90J01	HOSE, FUEL	1	
3	15710-82K50	INJECTOR, FUEL	4	
4	15716-65DT0	GROMMET SET	4	
5	15735-58B00	INSULATOR, DELIVERY PIPE	2	
6	15751-90J10	PIPE, DELIVERY	1	
7	15770-90J02	COOLER, FUEL	1	
8	15773-90J00	UNION, FUEL HOSE	1	
9	15775-90J00	BRACKET, FUEL COOLER	2	
10	15830-99E00	UNION, 3 WAY FUEL HOSE	1	
11	09168-12013	GASKET (11.8X22X1.2)	6	
12	09169-06062	WASHER	2	
13	09320-08501	CUSHION	2	
14	09320-08062	CUSHION	4	
15	09343-75001-600	HOSE (7.5X13.5X600)	1	L:600->50 SEPARATOR TO FILTER
16	09343-75001-600	HOSE (7.5X13.5X600)	1	L:600->50 3 WAY TO DLVY PIPE
17	09343-75001-600	HOSE (7.5X13.5X600)	1	L:600->50 3 WAY TO COOLER
18	09343-75001-600	HOSE (7.5X13.5X600)	1	L:600->110 FILTER TO 3 WAY
19	09360-12008	UNION	2	
20	09363-08004	UNION	2	
21	09401-11425	CLIP	10	
22	01421-08357	STUD BOLT	2	
23	09116-06202	BOLT (6X25)	2	
24	01550-06167	BOLT	6	
25	01550-12167	BOLT	1	
26	08316-10087	NUT	2	

FIG.26

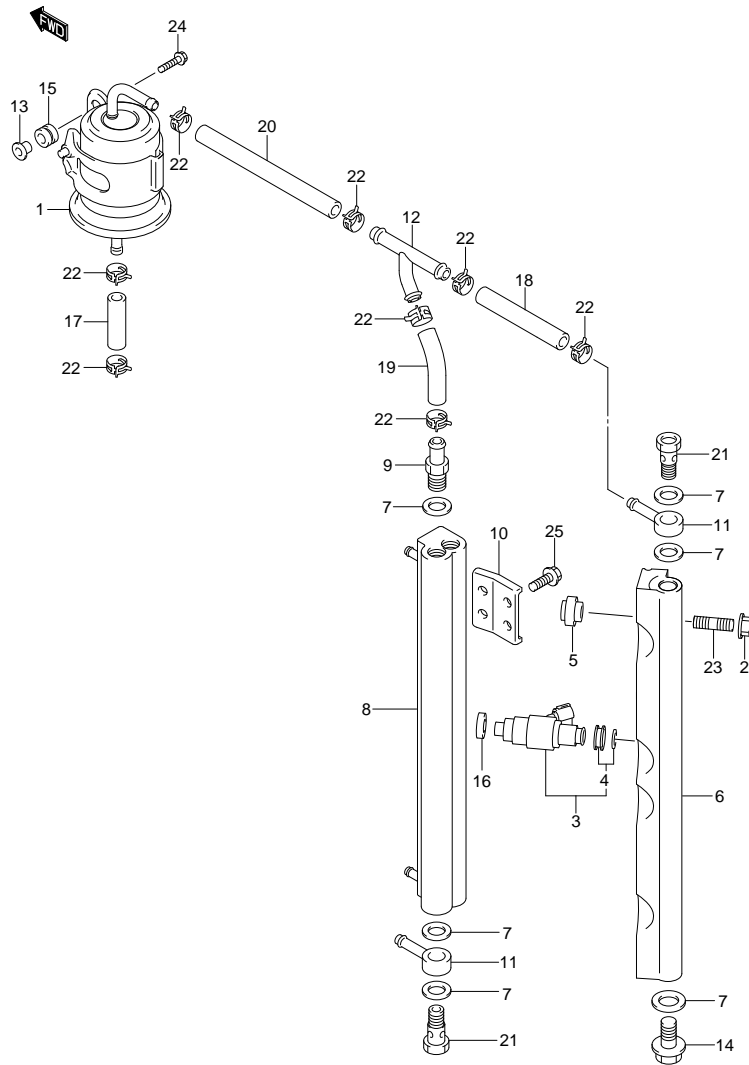
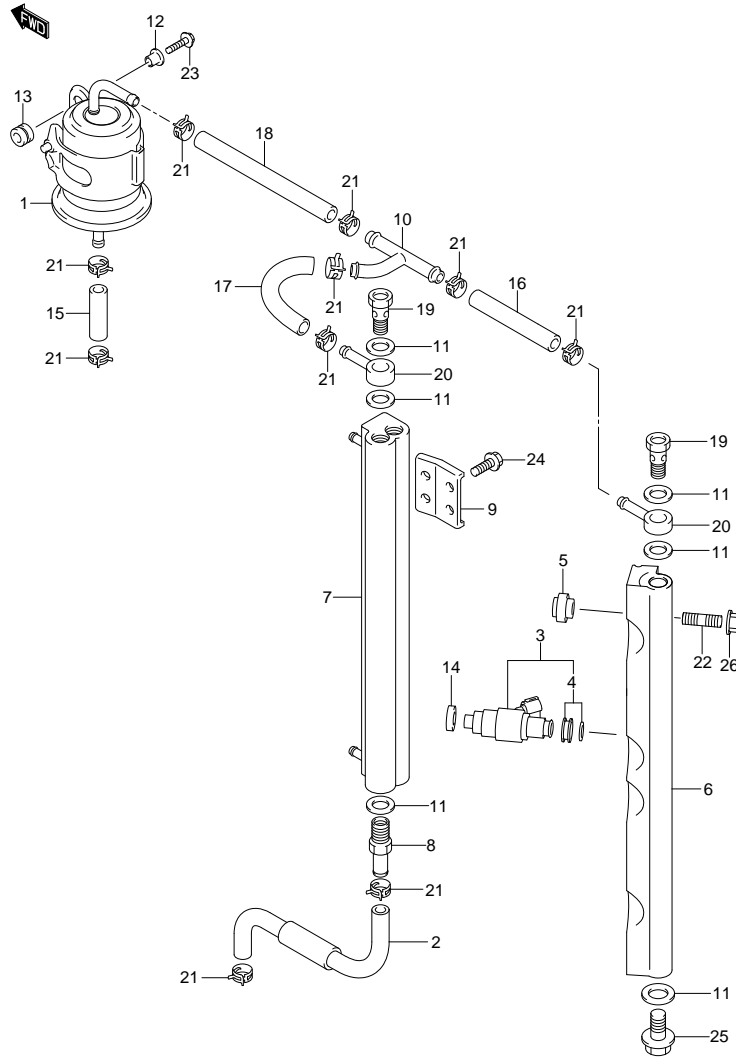


FIG. 26 (1-D-5) FUEL INJECTOR (DF100T E40)

REF NO.	PART NO.	DESCRIPTION	Q'TY	REMARKS
1	15440-90J10	FILTER, FUEL	1	
2	08316-10087	NUT	2	
3	15710-82K50	INJECTOR, FUEL	4	
4	15716-65DT0	GROMMET SET	4	
5	15735-58B00	INSULATOR, DELIVERY PIPE	2	
6	15751-90J10	PIPE, DELIVERY	1	
7	15762-90J00	GASKET, UNION	6	
8	15770-90J02	COOLER, FUEL	1	
9	15773-90J00	UNION, FUEL HOSE	1	
10	15775-90J00	BRACKET, FUEL COOLER	2	
11	15830-90J00	JOINT, FUEL MAIN	2	
12	15830-99E00	UNION, 3 WAY FUEL HOSE	1	
13	09169-06062	WASHER	2	
14	09247-12013	PLUG	1	
15	09320-08501	CUSHION	2	
16	09320-08062	CUSHION	4	
17	09343-75001-600	HOSE (7.5X13.5X600)	1	L:600->50 SEPARATOR TO FILTER
18	09343-75001-600	HOSE (7.5X13.5X600)	1	L:600->50 3 WAY TO DLVY PIPE
19	09343-75001-600	HOSE (7.5X13.5X600)	1	L:600->50 3 WAY TO COOLER
20	09343-75001-600	HOSE (7.5X13.5X600)	1	L:600->110 FILTER TO 3 WAY
21	09360-12013	UNION	2	
22	09401-11425	CLIP	8	
23	01421-08357	STUD BOLT	2	
24	09116-06202	BOLT (6X25)	2	
25	01550-06167	BOLT	6	

FIG.27

FIG.27 (1-D-6) FUEL INJECTOR (DF115T E1)



REF NO.	PART NO.	DESCRIPTION	Q'TY	REMARKS
1	15440-90J00	FILTER, FUEL	1	
2	15680-90J01	HOSE, FUEL	1	
3	15710-82K50	INJECTOR, FUEL	4	
4	15716-65DT0	GROMMET SET	4	
5	15735-58B00	INSULATOR, DELIVERY PIPE	2	
6	15751-90J10	PIPE, DELIVERY	1	
7	15770-90J02	COOLER, FUEL	1	
8	15773-90J00	UNION, FUEL HOSE	1	
9	15775-90J00	BRACKET, FUEL COOLER	2	
10	15830-99E00	UNION, 3 WAY FUEL HOSE	1	
11	09168-12013	GASKET (11.8X22X1.2)	6	
12	09169-06062	WASHER	2	
13	09320-08501	CUSHION	2	
14	09320-08062	CUSHION	4	
15	09343-75001-600	HOSE (7.5X13.5X600)	1	L:600->50 SEPARATOR TO FILTER
16	09343-75001-600	HOSE (7.5X13.5X600)	1	L:600->50 3 WAY TO DLVY PIPE
17	09343-75001-600	HOSE (7.5X13.5X600)	1	L:600->50 3 WAY TO COOLER
18	09343-75001-600	HOSE (7.5X13.5X600)	1	L:600->110 FILTER TO 3 WAY
19	09360-12008	UNION	2	
20	09363-08004	UNION	2	
21	09401-11425	CLIP	10	
22	01421-08357	STUD BOLT	2	
23	09116-06202	BOLT (6X25)	2	
24	01550-06167	BOLT	6	
25	01550-12167	BOLT	1	
26	08316-10087	NUT	2	

FIG.28

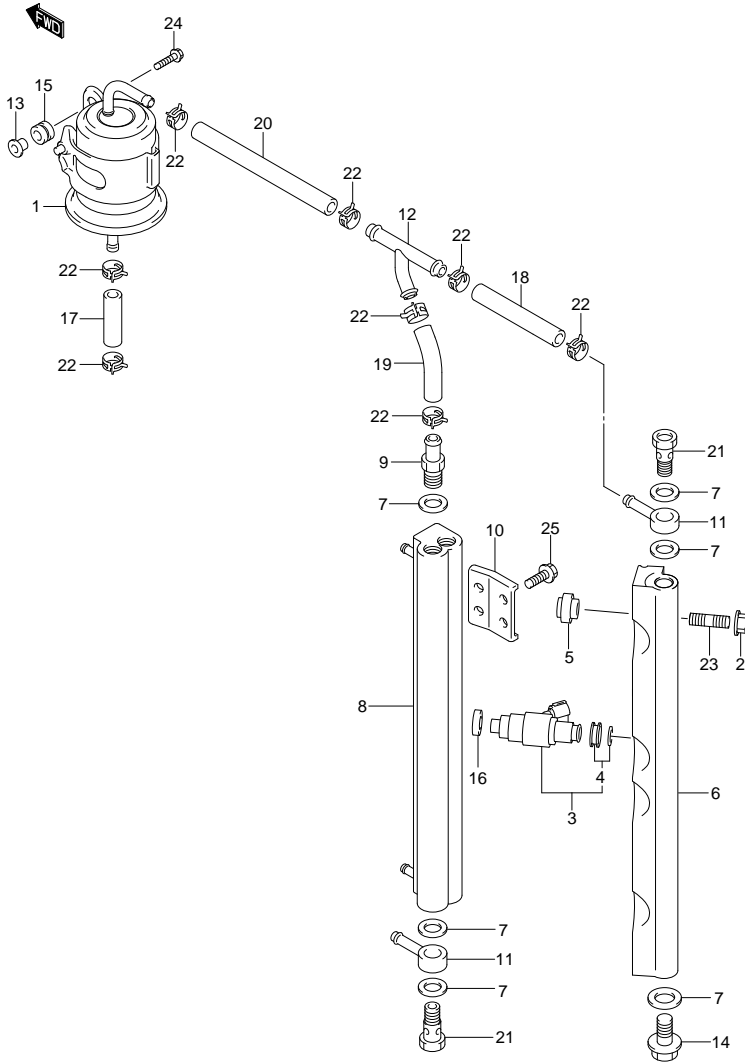
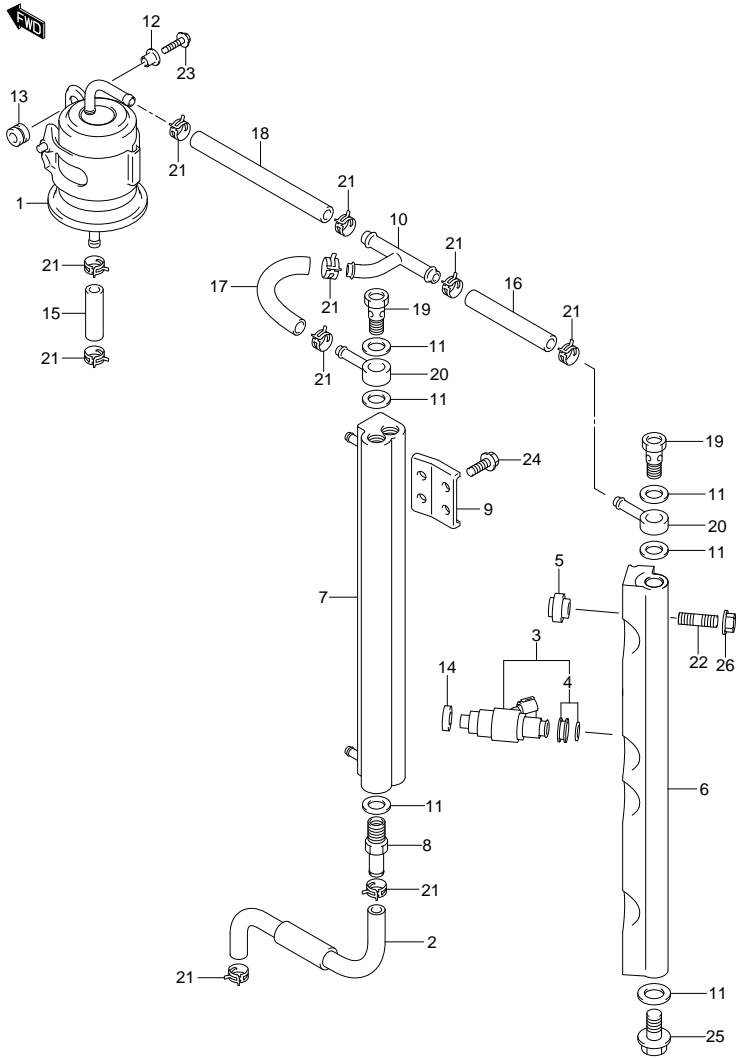


FIG. 28 (1-D-7) FUEL INJECTOR (DF115T E40)

REF NO.	PART NO.	DESCRIPTION	Q'TY	REMARKS
1	15440-90J10	FILTER, FUEL	1	
2	08316-10087	NUT	2	
3	15710-82K50	INJECTOR, FUEL	4	
4	15716-65DT0	GROMMET SET	4	
5	15735-58B00	INSULATOR, DELIVERY PIPE	2	
6	15751-90J10	PIPE, DELIVERY	1	
7	15762-90J00	GASKET, UNION	6	
8	15770-90J02	COOLER, FUEL	1	
9	15773-90J00	UNION, FUEL HOSE	1	
10	15775-90J00	BRACKET, FUEL COOLER	2	
11	15830-90J00	JOINT, FUEL MAIN	2	
12	15830-99E00	UNION, 3 WAY FUEL HOSE	1	
13	09169-06062	WASHER	2	
14	09247-12013	PLUG	1	
15	09320-08501	CUSHION	2	
16	09320-08062	CUSHION	4	
17	09343-75001-600	HOSE (7.5X13.5X600)	1	L:600->50 SEPARATOR TO FILTER
18	09343-75001-600	HOSE (7.5X13.5X600)	1	L:600->50 3 WAY TO DLVY PIPE
19	09343-75001-600	HOSE (7.5X13.5X600)	1	L:600->50 3 WAY TO COOLER
20	09343-75001-600	HOSE (7.5X13.5X600)	1	L:600->110 FILTER TO 3 WAY
21	09360-12013	UNION	2	
22	09401-11425	CLIP	8	
23	01421-08357	STUD BOLT	2	
24	09116-06202	BOLT (6X25)	2	
25	01550-06167	BOLT	6	

FIG.29

FIG.29 (1-D-8) FUEL INJECTOR (DF115Z E1)



REF NO.	PART NO.	DESCRIPTION	QTY	REMARKS
1	15440-90J00	FILTER, FUEL	1	
2	15680-90J01	HOSE, FUEL	1	
3	15710-82K50	INJECTOR, FUEL	4	
4	15716-65DT0	GROMMET SET	4	
5	15735-58B00	INSULATOR, DELIVERY PIPE	2	
6	15751-90J10	PIPE, DELIVERY	1	
7	15770-90J02	COOLER, FUEL	1	
8	15773-90J00	UNION, FUEL HOSE	1	
9	15775-90J00	BRACKET, FUEL COOLER	2	
10	15830-99E00	UNION, 3 WAY FUEL HOSE	1	
11	09168-12013	GASKET (11.8X22X1.2)	6	
12	09169-06062	WASHER	2	
13	09320-08501	CUSHION	2	
14	09320-08062	CUSHION	4	
15	09343-75001-600	HOSE (7.5X13.5X600)	1	L:600->50 SEPARATOR TO FILTER
16	09343-75001-600	HOSE (7.5X13.5X600)	1	L:600->50 3 WAY TO DLVY PIPE
17	09343-75001-600	HOSE (7.5X13.5X600)	1	L:600->50 3 WAY TO COOLER
18	09343-75001-600	HOSE (7.5X13.5X600)	1	L:600->110 FILTER TO 3 WAY
19	09360-12008	UNION	2	
20	09363-08004	UNION	2	
21	09401-11425	CLIP	10	
22	01421-08357	STUD BOLT	2	
23	09116-06202	BOLT (6X25)	2	
24	01550-06167	BOLT	6	
25	01550-12167	BOLT	1	
26	08316-10087	NUT	2	

FIG.30

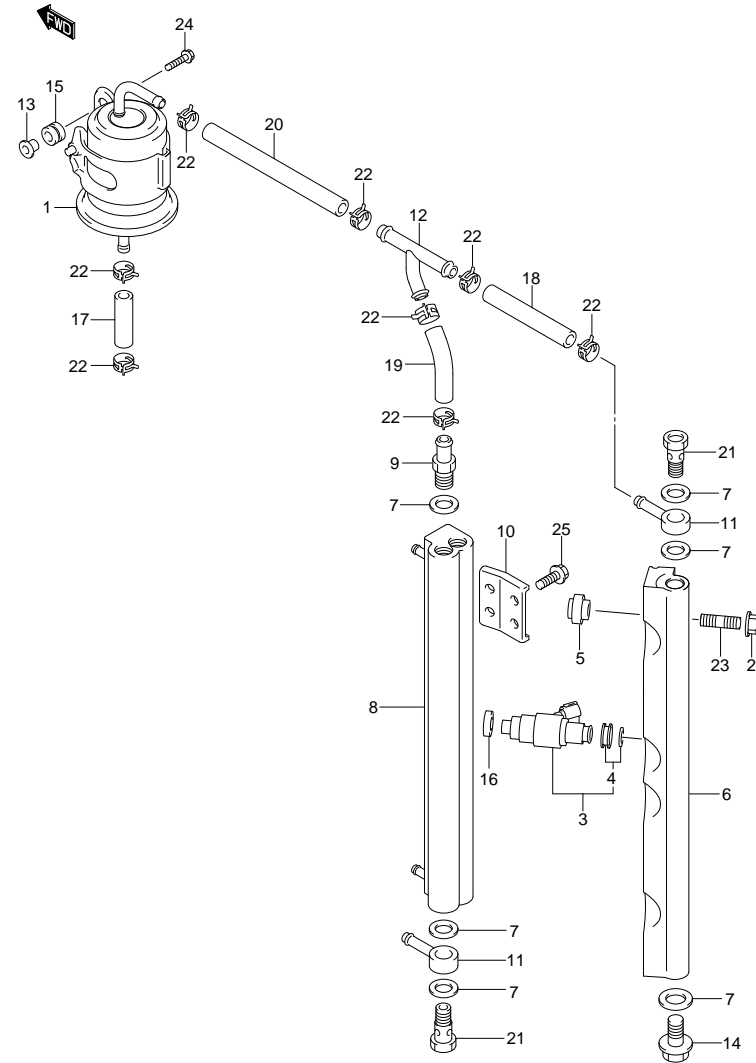


FIG. 30 (1-D-9) FUEL INJECTOR (DF115Z E40)

REF NO.	PART NO.	DESCRIPTION	Q'TY	REMARKS
1	15440-90J10	FILTER, FUEL	1	
2	08316-10087	NUT	2	
3	15710-82K50	INJECTOR, FUEL	4	
4	15716-65DT0	GROMMET SET	4	
5	15735-58B00	INSULATOR, DELIVERY PIPE	2	
6	15751-90J10	PIPE, DELIVERY	1	
7	15762-90J00	GASKET, UNION	6	
8	15770-90J02	COOLER, FUEL	1	
9	15773-90J00	UNION, FUEL HOSE	1	
10	15775-90J00	BRACKET, FUEL COOLER	2	
11	15830-90J00	JOINT, FUEL MAIN	2	
12	15830-99E00	UNION, 3 WAY FUEL HOSE	1	
13	09169-06062	WASHER	2	
14	09247-12013	PLUG	1	
15	09320-08501	CUSHION	2	
16	09320-08062	CUSHION	4	
17	09343-75001-600	HOSE (7.5X13.5X600)	1	L:600->50 SEPARATOR TO FILTER
18	09343-75001-600	HOSE (7.5X13.5X600)	1	L:600->50 3 WAY TO DLVY PIPE
19	09343-75001-600	HOSE (7.5X13.5X600)	1	L:600->50 3 WAY TO COOLER
20	09343-75001-600	HOSE (7.5X13.5X600)	1	L:600->110 FILTER TO 3 WAY
21	09360-12013	UNION	2	
22	09401-11425	CLIP	8	
23	01421-08357	STUD BOLT	2	
24	09116-06202	BOLT (6X25)	2	
25	01550-06167	BOLT	6	

FIG.31

FIG. 31 (1-D-10) FUEL PUMP (DF100T E1)

REF NO.	PART NO.	DESCRIPTION	Q'TY	REMARKS
1	15100-90J1V	PUMP, FUEL	1	
2	15410-87J30	FILTER, FUEL	1	
3	15419-87J00	·CAP, FUEL FILTER	1	
4	09401-11423	·CLIP	1	
5	15422-96J00	CLAMP, FILTER	1	
6	15420-90J30	BRACKET, FUEL FILTER	1	
7	09320-05016	·CUSHION	1	
8	18498-99E10	PROTECTOR, FUEL HOSE (610)	1	L:610->230
9	18498-99E10	PROTECTOR, FUEL HOSE (610)	1	L:610->450
10	18498-99E10	PROTECTOR, FUEL HOSE (610)	1	L:610->510
11	18498-99E10	PROTECTOR, FUEL HOSE (610)	1	L:610->180
12	09280-26005	O RING (D:2.4, ID:26.2)	1	
13	15192-90J11	HOSE, FUEL (FILTER TO PUMP)	1	
14	09343-70503-600	HOSE (7X12X600)	1	L:600->540 PUMP TO SEPARATOR
15	15190-90J30	HOSE, FUEL (JOINT TO FILTER)	1	
16	09401-11423	CLIP	5	
17	01550-06167	BOLT	2	
18	01550-06257	BOLT	2	

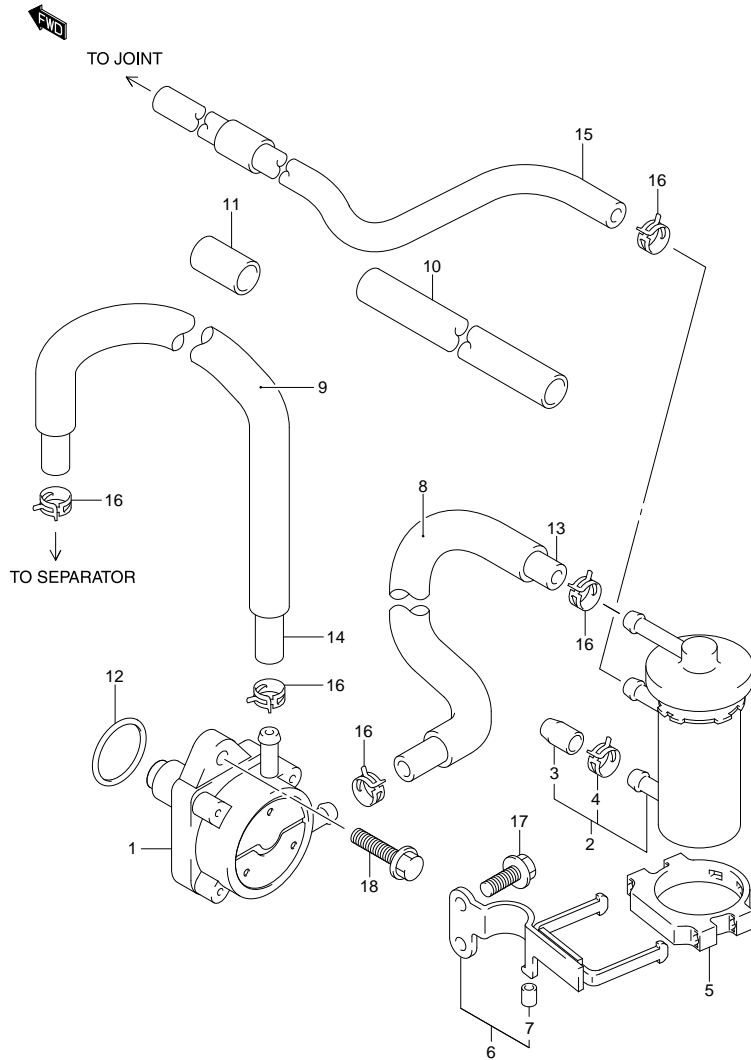


FIG.32

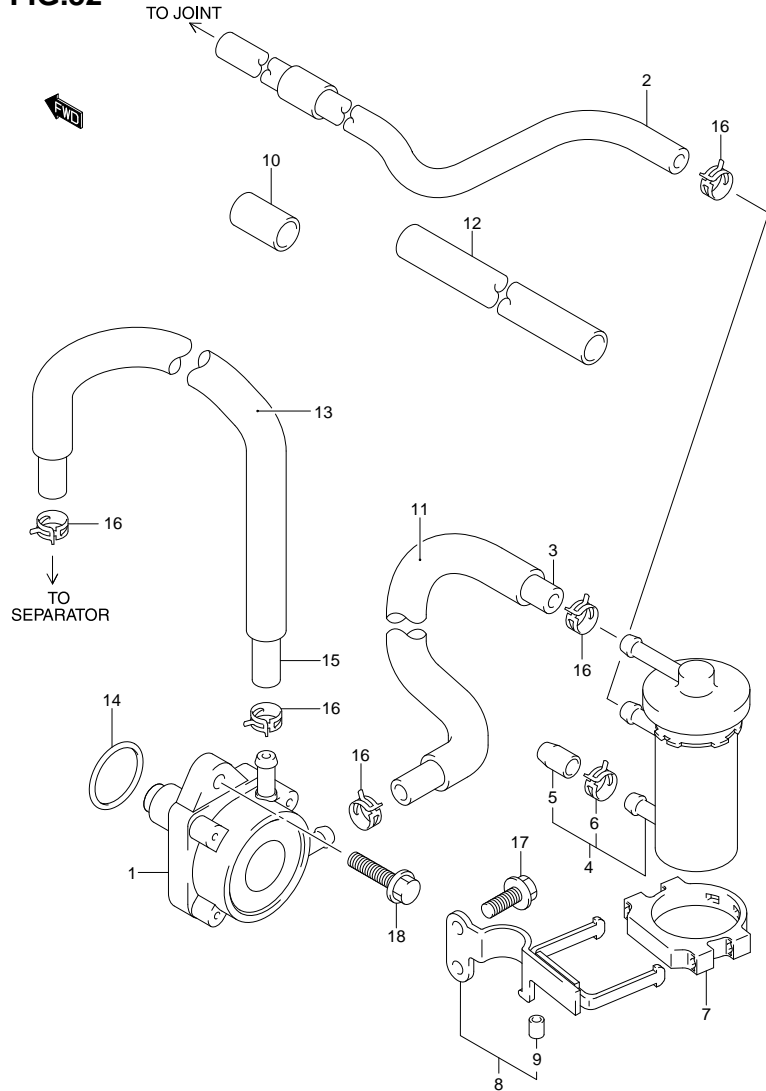


FIG. 32 (1-D-11) FUEL PUMP (DF100T E40)

REF NO.	PART NO.	DESCRIPTION	Q'TY	REMARKS
1	15100-90J1V	PUMP, FUEL	1	
2	15190-90J30	HOSE, FUEL (JOINT TO FILTER)	1	
3	15192-90J11	HOSE, FUEL (FILTER TO PUMP)	1	
4	15410-87J30	FILTER, FUEL	1	
5	15419-87J00	·CAP, FUEL FILTER	1	
6	09401-11423	·CLIP	1	
7	15422-96J00	CLAMP, FILTER	1	
8	15420-90J30	BRACKET, FUEL FILTER	1	
9	09320-05016	·CUSHION	1	
10	18498-99E10	PROTECTOR, FUEL HOSE	1	L:610->180
11	18498-99E10	PROTECTOR, FUEL HOSE	1	L:610->230
12	18498-99E10	PROTECTOR, FUEL HOSE	1	L:610->510
13	18498-99E10	PROTECTOR, FUEL HOSE	1	L:610->450
14	09280-26005	O RING (D:2.4;ID:26.2)	1	
15	09343-70503-600	HOSE (7X12X600)	1	L:600->540 PUMP TO SEPARATOR
16	09401-11423	CLIP	5	
17	01550-06167	BOLT	2	
18	01550-06257	BOLT	2	

FIG.33

FIG. 33 (1-D-12) FUEL PUMP (DF115T E1)

REF NO.	PART NO.	DESCRIPTION	Q'TY	REMARKS
1	15100-90J1V	PUMP, FUEL	1	
2	15410-87J30	FILTER, FUEL	1	
3	15419-87J00	·CAP, FUEL FILTER	1	
4	09401-11423	·CLIP	1	
5	15422-96J00	CLAMP, FILTER	1	
6	15420-90J30	BRACKET, FUEL FILTER	1	
7	09320-05016	·CUSHION	1	
8	18498-99E10	PROTECTOR, FUEL HOSE (610)	1	L:610->230
9	18498-99E10	PROTECTOR, FUEL HOSE (610)	1	L:610->450
10	18498-99E10	PROTECTOR, FUEL HOSE (610)	1	L:610->510
11	18498-99E10	PROTECTOR, FUEL HOSE (610)	1	L:610->180
12	09280-26005	O RING (D:2.4, ID:26.2)	1	
13	15192-90J11	HOSE, FUEL (FILTER TO PUMP)	1	
14	09343-70503-600	HOSE (7X12X600)	1	L:600->540 PUMP TO SEPARATOR
15	15190-90J30	HOSE, FUEL (JOINT TO FILTER)	1	
16	09401-11423	CLIP	5	
17	01550-06167	BOLT	2	
18	01550-06257	BOLT	2	

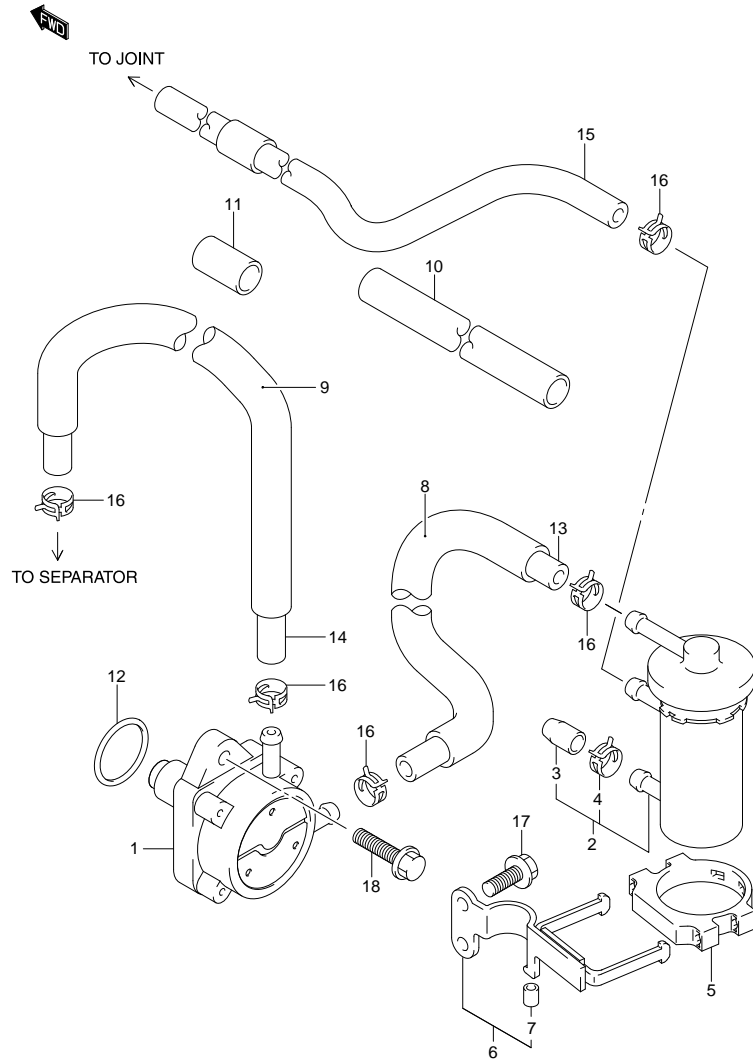


FIG.34

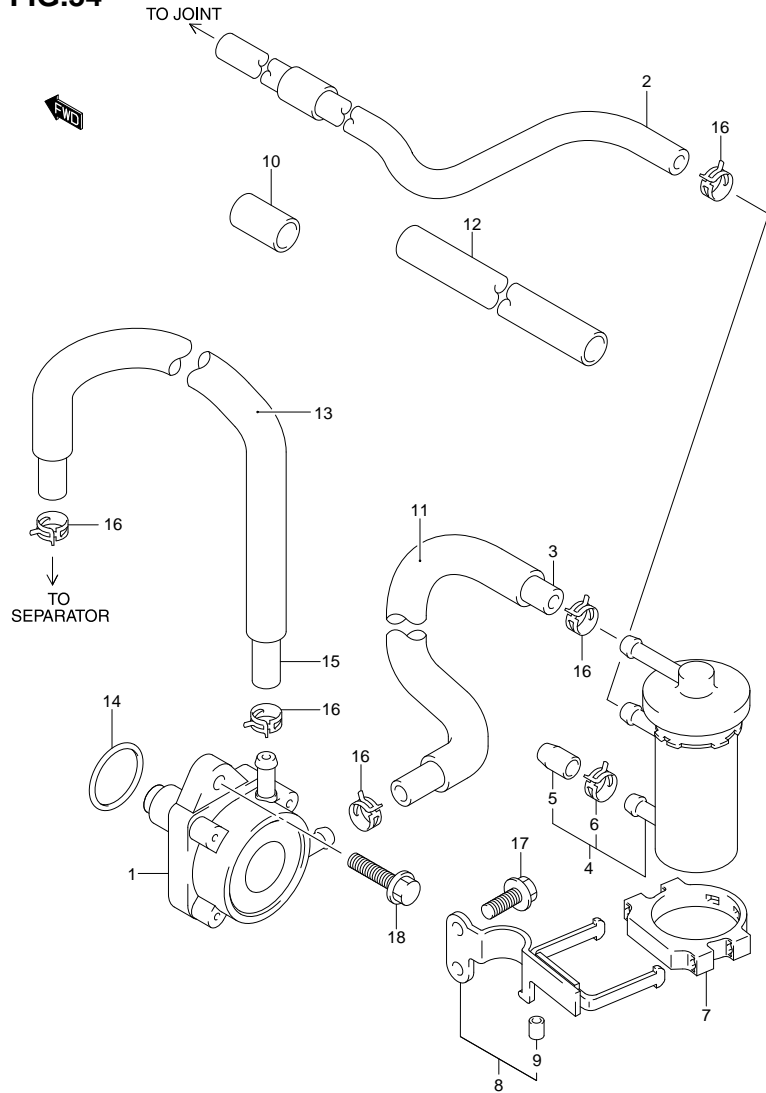


FIG. 34 (1-D-13) FUEL PUMP (DF115T E40)

REF NO.	PART NO.	DESCRIPTION	Q'TY	REMARKS
1	15100-90J1V	PUMP, FUEL	1	
2	15190-90J30	HOSE, FUEL (JOINT TO FILTER)	1	
3	15192-90J11	HOSE, FUEL (FILTER TO PUMP)	1	
4	15410-87J30	FILTER, FUEL	1	
5	15419-87J00	·CAP, FUEL FILTER	1	
6	09401-11423	·CLIP	1	
7	15422-96J00	CLAMP, FILTER	1	
8	15420-90J30	BRACKET, FUEL FILTER	1	
9	09320-05016	·CUSHION	1	
10	18498-99E10	PROTECTOR, FUEL HOSE	1	L:610->180
11	18498-99E10	PROTECTOR, FUEL HOSE	1	L:610->230
12	18498-99E10	PROTECTOR, FUEL HOSE	1	L:610->510
13	18498-99E10	PROTECTOR, FUEL HOSE	1	L:610->450
14	09280-26005	O RING (D:2.4, ID:26.2)	1	
15	09343-70503-600	HOSE (7X12X600)	1	L:600->540 PUMP TO SEPARATOR
16	09401-11423	CLIP	5	
17	01550-06167	BOLT	2	
18	01550-06257	BOLT	2	

FIG.35

FIG. 35 (1-D-14) FUEL PUMP (DF1157 E1)

REF NO.	PART NO.	DESCRIPTION	Q'TY	REMARKS
1	15100-90J1V	PUMP, FUEL	1	
2	15410-87J30	FILTER, FUEL	1	
3	15419-87J00	·CAP, FUEL FILTER	1	
4	09401-11423	·CLIP	1	
5	15422-96J00	CLAMP, FILTER	1	
6	15420-90J30	BRACKET, FUEL FILTER	1	
7	09320-05016	·CUSHION	1	
8	18498-99E10	PROTECTOR, FUEL HOSE (610)	1	L:610->230
9	18498-99E10	PROTECTOR, FUEL HOSE (610)	1	L:610->450
10	18498-99E10	PROTECTOR, FUEL HOSE (610)	1	L:610->510
11	18498-99E10	PROTECTOR, FUEL HOSE (610)	1	L:610->180
12	09280-26005	O RING (D:2.4, ID:26.2)	1	
13	15192-90J11	HOSE, FUEL (FILTER TO PUMP)	1	
14	09343-70503-600	HOSE (7X12X600)	1	L:600->540 PUMP TO SEPARATOR
15	15190-90J30	HOSE, FUEL (JOINT TO FILTER)	1	
16	09401-11423	CLIP	5	
17	01550-06167	BOLT	2	
18	01550-06257	BOLT	2	

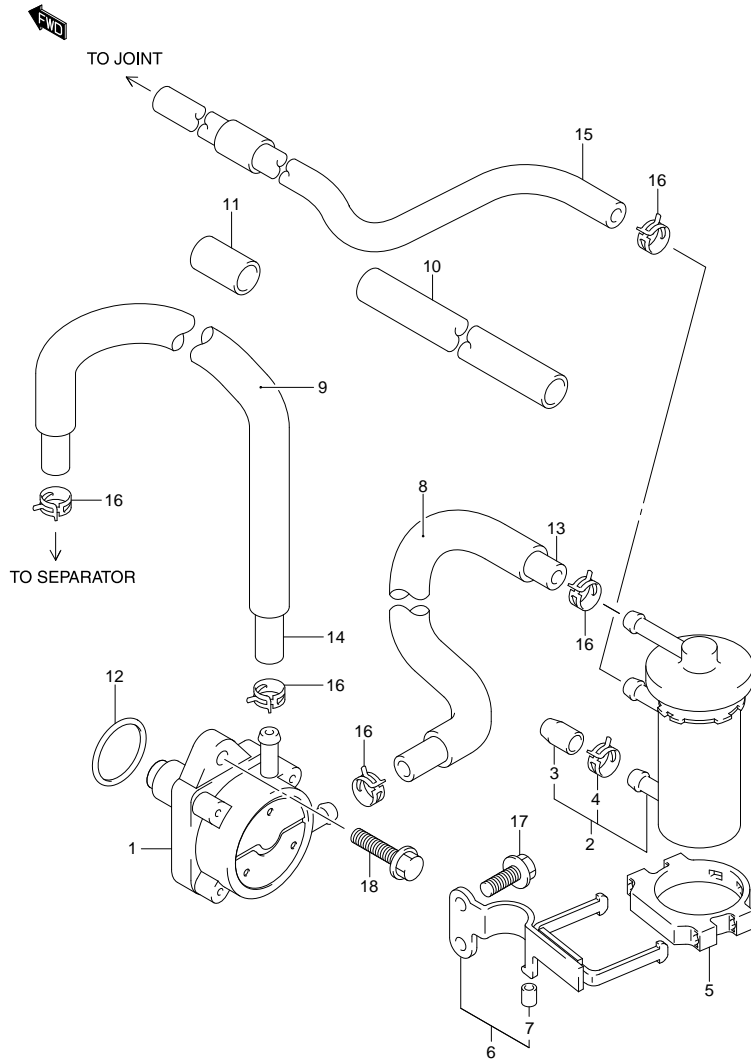


FIG.36

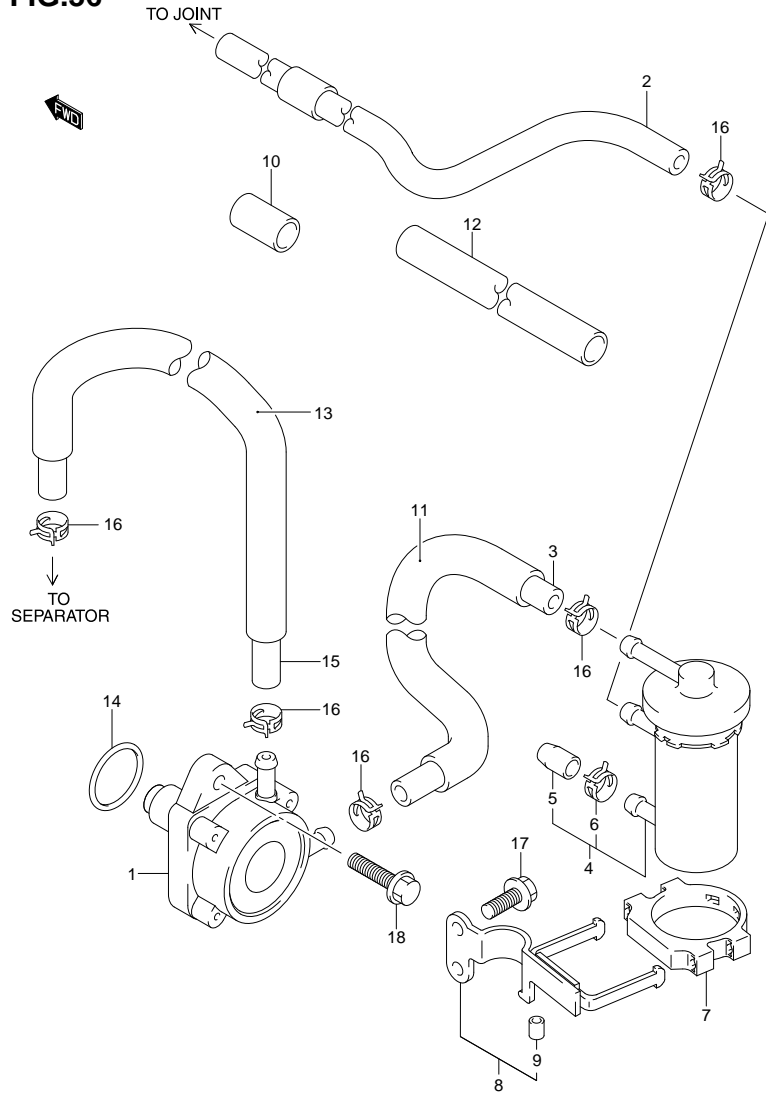


FIG.36 (1-D-15) FUEL PUMP (DF1157 E40)

REF NO.	PART NO.	DESCRIPTION	Q'TY	REMARKS
1	15100-90J1V	PUMP, FUEL	1	
2	15190-90J30	HOSE, FUEL (JOINT TO FILTER)	1	
3	15192-90J11	HOSE, FUEL (FILTER TO PUMP)	1	
4	15410-87J30	FILTER, FUEL	1	
5	15419-87J00	·CAP, FUEL FILTER	1	
6	09401-11423	·CLIP	1	
7	15422-96J00	CLAMP, FILTER	1	
8	15420-90J30	BRACKET, FUEL FILTER	1	
9	09320-05016	·CUSHION	1	
10	18498-99E10	PROTECTOR, FUEL HOSE	1	L:610->180
11	18498-99E10	PROTECTOR, FUEL HOSE	1	L:610->230
12	18498-99E10	PROTECTOR, FUEL HOSE	1	L:610->510
13	18498-99E10	PROTECTOR, FUEL HOSE	1	L:610->450
14	09280-26005	O RING (D:2.4, ID:26.2)	1	
15	09343-70503-600	HOSE (7X12X600)	1	L:600->540 PUMP TO SEPARATOR
16	09401-11423	CLIP	5	
17	01550-06167	BOLT	2	
18	01550-06257	BOLT	2	

FIG.37

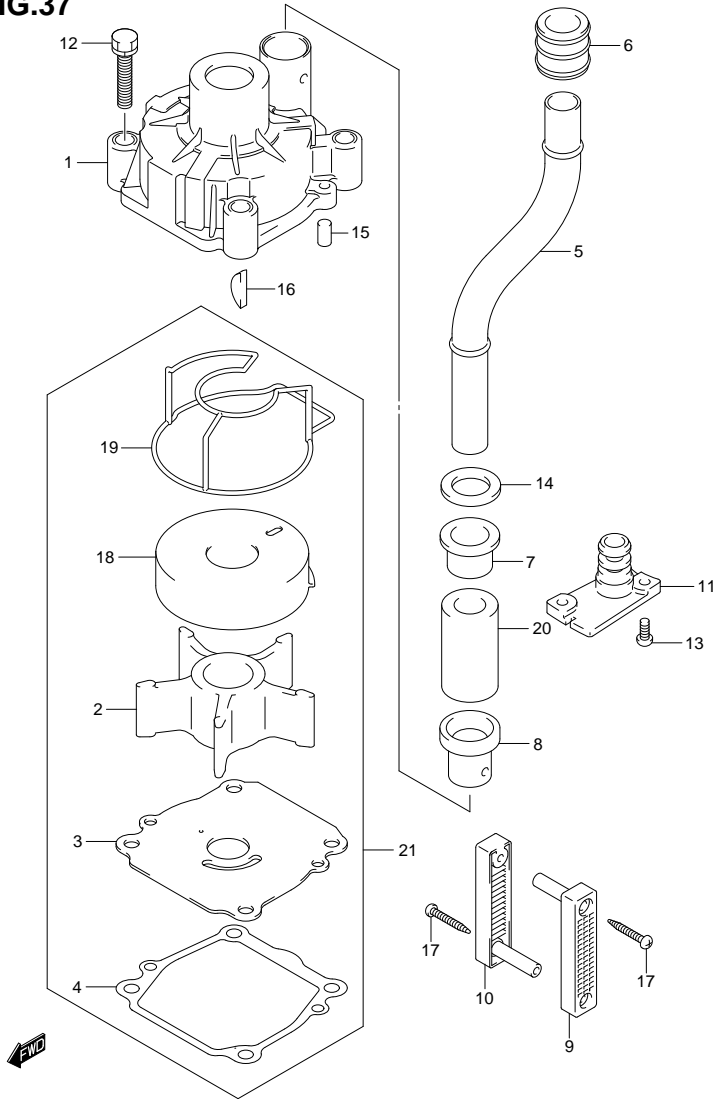


FIG. 37 (1-E-2) WATER PUMP (DF100T E1)

REF NO.	PART NO.	DESCRIPTION	Q'TY	REMARKS
1	17410-92J00	CASE, WATER PUMP	1	
2	17461-90J01	IMPELLER, WATER PUMP	1	
3	17471-92J00	PANEL, PUMP CASE UNDER	1	
4	17472-87E10	GASKET, PUMP CASE PANEL	1	
5-1	17561-90J02	TUBE, WATER (L)	1	TRANSOM(L)
5-2	17561-90J12	TUBE, WATER (X)	1	TRANSOM(X)
6	17562-90J00	BUSH, WATER TUBE UPPER	1	
7	17563-87D00	BUSH, WATER TUBE LOWER	1	
8	17564-87D00	BUSH, WATER PUMP CASE	1	
9	17631-90J00	FILTER, WATER PORT SIDE	1	
10	17632-90J00	FILTER, WATER STBD SIDE	1	
11	17635-90J00	PLUG, SUB WATER TUBE	1	
12	09116-08131	BOLT (8X45)	4	
13	09125-05046	SCREW (5X12)	2	
14	09161-16008	WASHER (15.8X26X1)	1	
15	09202-06031	PIN	2	
16	09420-05009	KEY	1	
17	09132-04034	SCREW (4X18)	2	
18	17413-92J01	SLEEVE, WATER PUMP CASE	1	
19	17416-92J10	SEALING, WATER PUMP CASE	1	
20	17612-90J00	SPACER, WATER TUBE	1	TRANSOM(X)
21	17400-92J21	KIT, WATER PUMP REPAIR	1	OPT

FIG.38

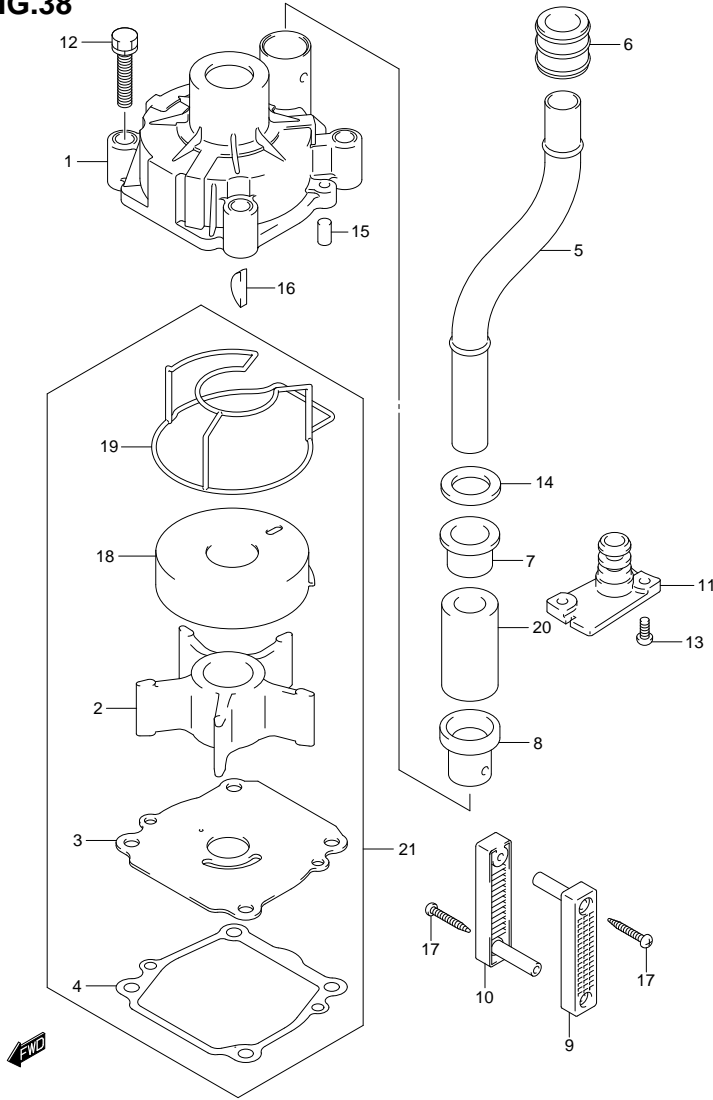


FIG. 38 (1-E-3) WATER PUMP (DF100T E40)

REF NO.	PART NO.	DESCRIPTION	Q'TY	REMARKS
1	17410-92J00	CASE, WATER PUMP	1	
2	17461-90J01	IMPELLER, WATER PUMP	1	
3	17471-92J10	PANEL, PUMP CASE UNDER	1	
4	17472-87E10	GASKET, PUMP CASE PANEL	1	
5-1	17561-90J02	TUBE, WATER (L)	1	TRANSOM(L)
5-2	17561-90J12	TUBE, WATER (X)	1	TRANSOM(X)
6	17562-90J00	BUSH, WATER TUBE UPPER	1	
7	17563-87D00	BUSH, WATER TUBE LOWER	1	
8	17564-87D00	BUSH, WATER PUMP CASE	1	
9	17631-90J00	FILTER, WATER PORT SIDE	1	
10	17632-90J00	FILTER, WATER STBD SIDE	1	
11	17635-90J00	PLUG, SUB WATER TUBE	1	
12	09116-08131	BOLT (8X45)	4	
13	09125-05046	SCREW (5X12)	2	
14	09161-16008	WASHER (15.8X26X1)	1	
15	09202-06031	PIN	2	
16	09420-05009	KEY	1	
17	09132-04034	SCREW (4X18)	2	
18	17413-92J11	SLEEVE, WATER PUMP CASE	1	
19	17416-92J10	SEALING, WATER PUMP CASE	1	
20	17612-90J00	SPACER, WATER TUBE	1	TRANSOM(X)
21	17400-92J21	KIT, WATER PUMP REPAIR	1	OPT

FIG.39

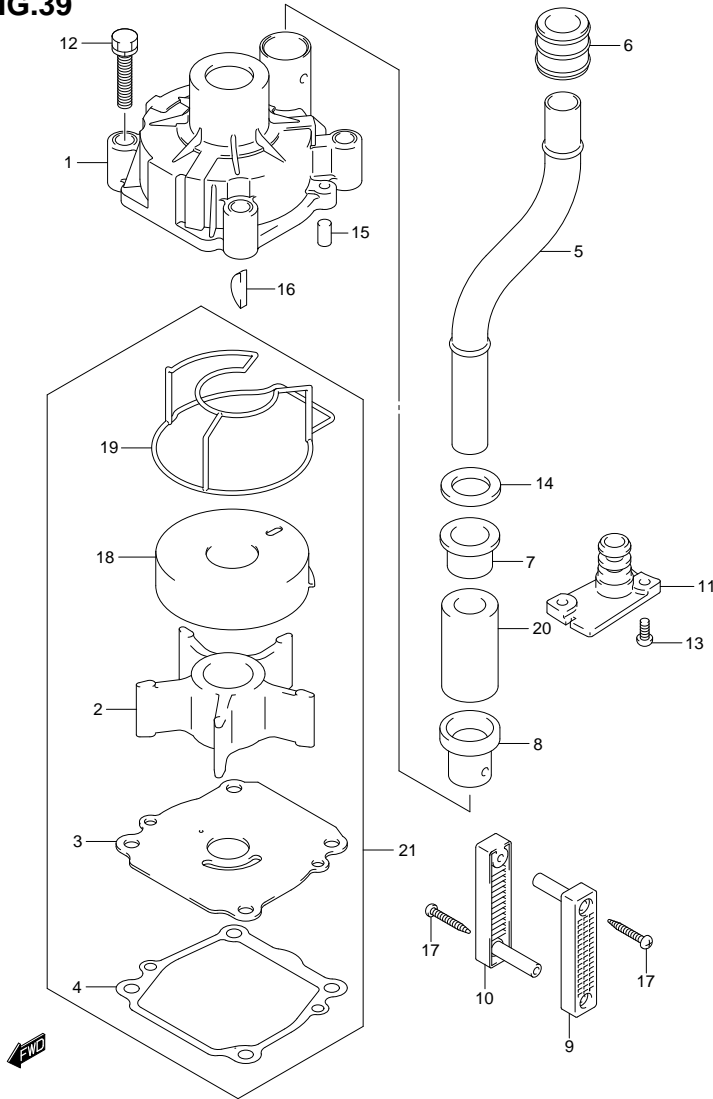


FIG. 39 (1-E-4) WATER PUMP (DF115T E1)

REF NO.	PART NO.	DESCRIPTION	Q'TY	REMARKS
1	17410-92J00	CASE, WATER PUMP	1	
2	17461-90J01	IMPELLER, WATER PUMP	1	
3	17471-92J00	PANEL, PUMP CASE UNDER	1	
4	17472-87E10	GASKET, PUMP CASE PANEL	1	
5-1	17561-90J02	TUBE, WATER (L)	1	TRANSOM(L)
5-2	17561-90J12	TUBE, WATER (X)	1	TRANSOM(X)
6	17562-90J00	BUSH, WATER TUBE UPPER	1	
7	17563-87D00	BUSH, WATER TUBE LOWER	1	
8	17564-87D00	BUSH, WATER PUMP CASE	1	
9	17631-90J00	FILTER, WATER PORT SIDE	1	
10	17632-90J00	FILTER, WATER STBD SIDE	1	
11	17635-90J00	PLUG, SUB WATER TUBE	1	
12	09116-08131	BOLT (8X45)	4	
13	09125-05046	SCREW (5X12)	2	
14	09161-16008	WASHER (15.8X26X1)	1	
15	09202-06031	PIN	2	
16	09420-05009	KEY	1	
17	09132-04034	SCREW (4X18)	2	
18	17413-92J01	SLEEVE, WATER PUMP CASE	1	
19	17416-92J10	SEALING, WATER PUMP CASE	1	
20	17612-90J00	SPACER, WATER TUBE	1	TRANSOM(X)
21	17400-92J21	KIT, WATER PUMP REPAIR	1	OPT

FIG.40

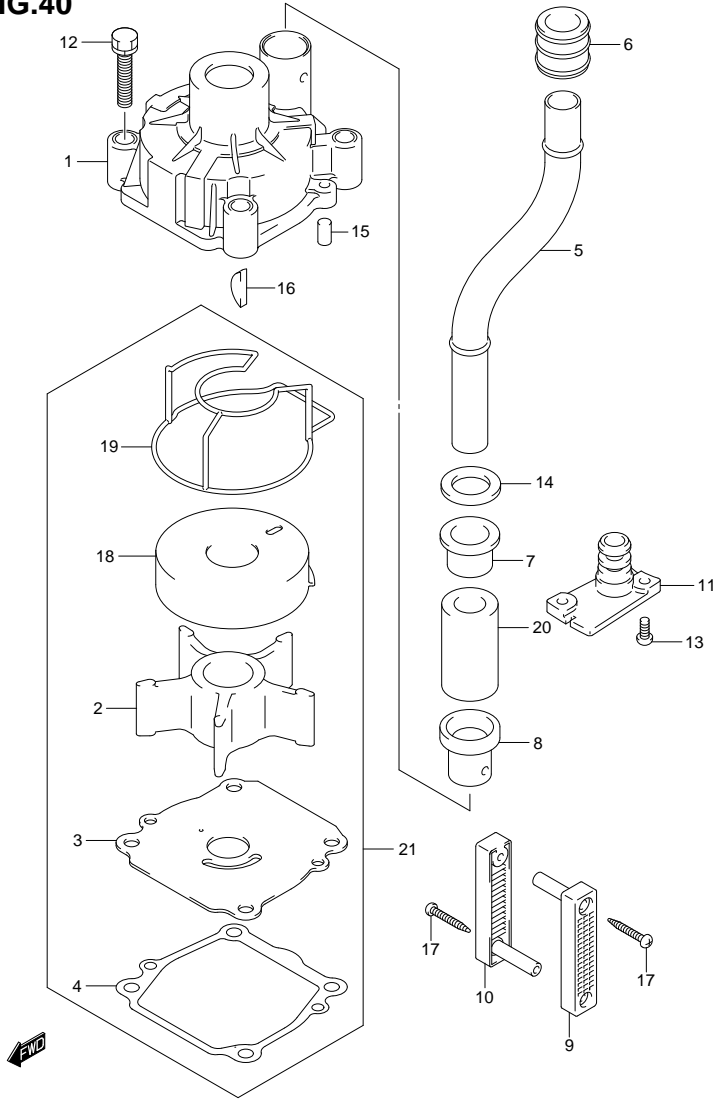


FIG. 40 (1-E-5) WATER PUMP (DF115T E40)

REF NO.	PART NO.	DESCRIPTION	Q'TY	REMARKS
1	17410-92J00	CASE, WATER PUMP	1	
2	17461-90J01	IMPELLER, WATER PUMP	1	
3	17471-92J10	PANEL, PUMP CASE UNDER	1	
4	17472-87E10	GASKET, PUMP CASE PANEL	1	
5-1	17561-90J02	TUBE, WATER (L)	1	TRANSOM(L)
5-2	17561-90J12	TUBE, WATER (X)	1	TRANSOM(X)
6	17562-90J00	BUSH, WATER TUBE UPPER	1	
7	17563-87D00	BUSH, WATER TUBE LOWER	1	
8	17564-87D00	BUSH, WATER PUMP CASE	1	
9	17631-90J00	FILTER, WATER PORT SIDE	1	
10	17632-90J00	FILTER, WATER STBD SIDE	1	
11	17635-90J00	PLUG, SUB WATER TUBE	1	
12	09116-08131	BOLT (8X45)	4	
13	09125-05046	SCREW (5X12)	2	
14	09161-16008	WASHER (15.8X26X1)	1	
15	09202-06031	PIN	2	
16	09420-05009	KEY	1	
17	09132-04034	SCREW (4X18)	2	
18	17413-92J11	SLEEVE, WATER PUMP CASE	1	
19	17416-92J10	SEALING, WATER PUMP CASE	1	
20	17612-90J00	SPACER, WATER TUBE	1	TRANSOM(X)
21	17400-92J21	KIT, WATER PUMP REPAIR	1	OPT

FIG.41

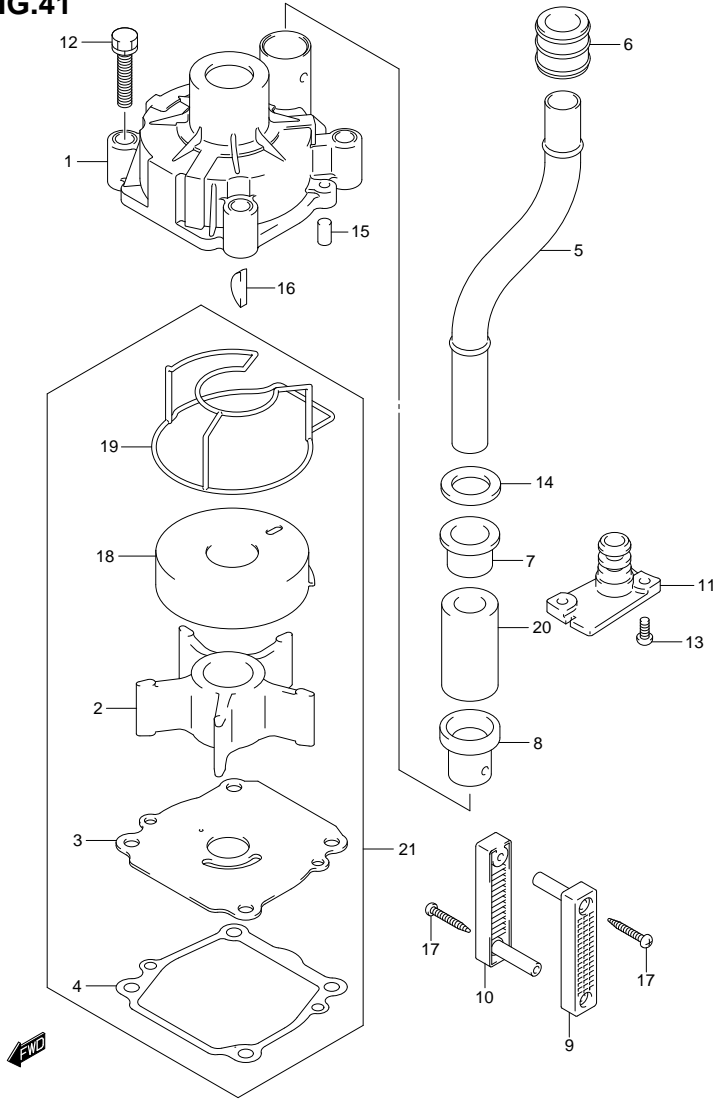


FIG. 41 (1-E-6) WATER PUMP (DF1157 E1)

REF NO.	PART NO.	DESCRIPTION	Q'TY	REMARKS
1	17410-92J00	CASE, WATER PUMP	1	
2	17461-90J01	IMPELLER, WATER PUMP	1	
3	17471-92J00	PANEL, PUMP CASE UNDER	1	
4	17472-87E10	GASKET, PUMP CASE PANEL	1	
5-1	17561-90J02	TUBE, WATER (L)	1	TRANSOM(L)
5-2	17561-90J12	TUBE, WATER (X)	1	TRANSOM(X)
6	17562-90J00	BUSH, WATER TUBE UPPER	1	
7	17563-87D00	BUSH, WATER TUBE LOWER	1	
8	17564-87D00	BUSH, WATER PUMP CASE	1	
9	17631-90J00	FILTER, WATER PORT SIDE	1	
10	17632-90J00	FILTER, WATER STBD SIDE	1	
11	17635-90J00	PLUG, SUB WATER TUBE	1	
12	09116-08131	BOLT (8X45)	4	
13	09125-05046	SCREW (5X12)	2	
14	09161-16008	WASHER (15.8X26X1)	1	
15	09202-06031	PIN	2	
16	09420-05009	KEY	1	
17	09132-04034	SCREW (4X18)	2	
18	17413-92J01	SLEEVE, WATER PUMP CASE	1	
19	17416-92J10	SEALING, WATER PUMP CASE	1	
20	17612-90J00	SPACER, WATER TUBE	1	TRANSOM(X)
21	17400-92J21	KIT, WATER PUMP REPAIR	1	OPT

FIG.42

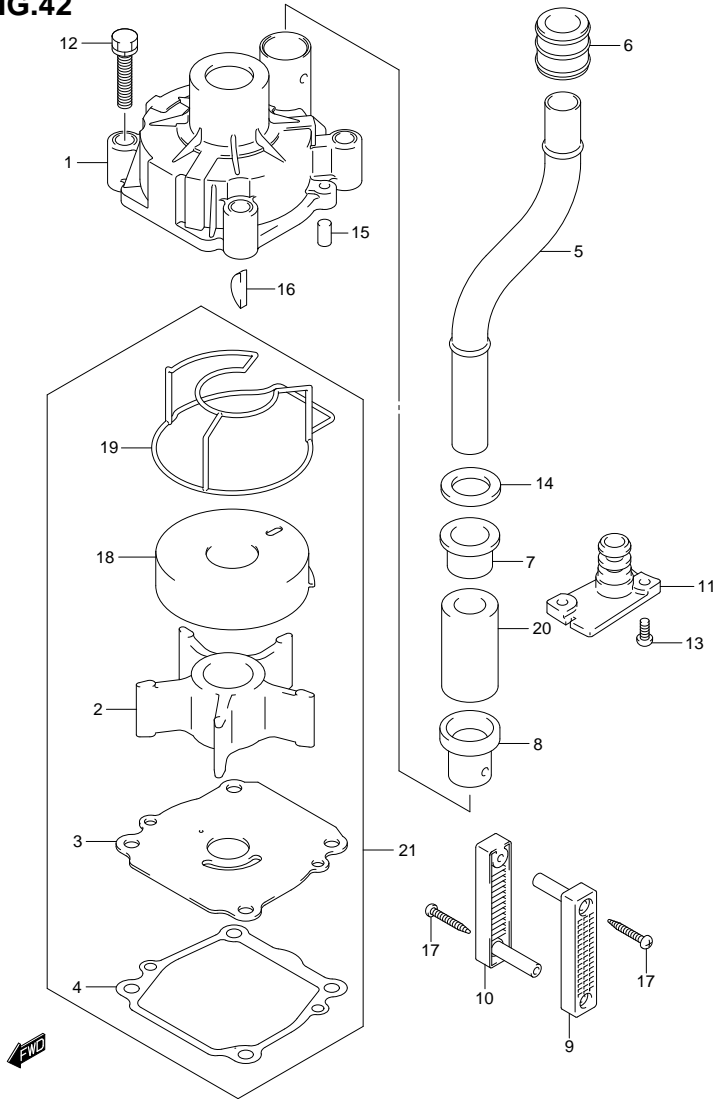
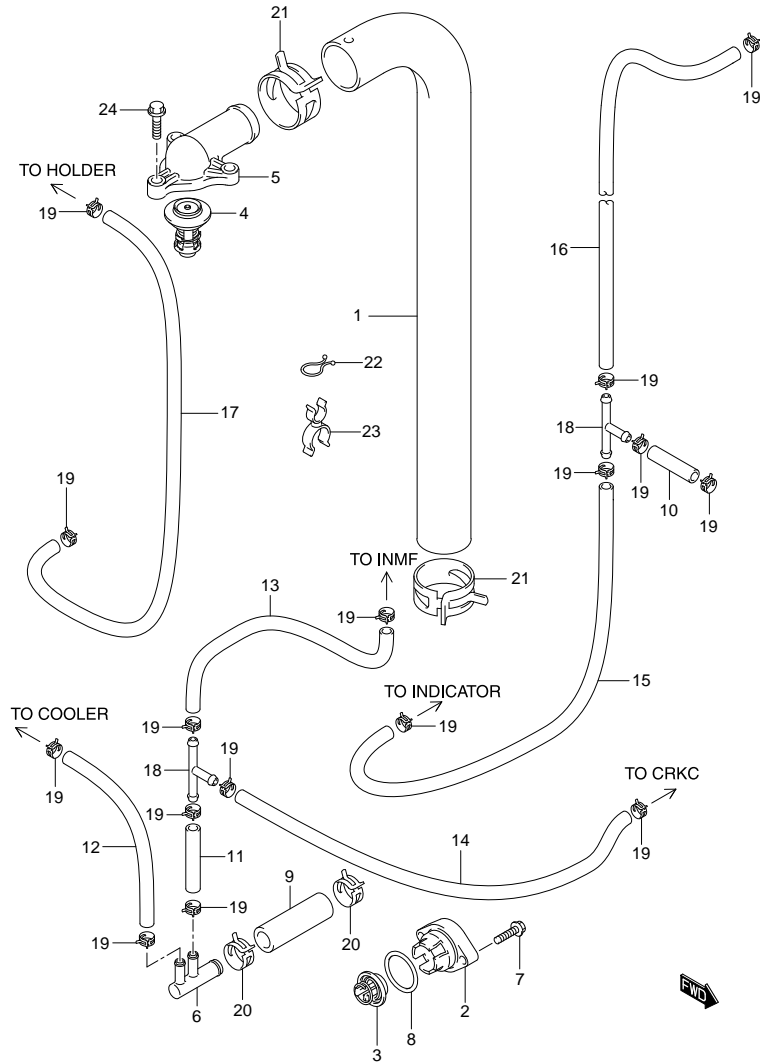


FIG. 42 (1-E-7) WATER PUMP (DF1157 E40)

REF NO.	PART NO.	DESCRIPTION	Q'TY	REMARKS
1	17410-92J00	CASE, WATER PUMP	1	
2	17461-90J01	IMPELLER, WATER PUMP	1	
3	17471-92J10	PANEL, PUMP CASE UNDER	1	
4	17472-87E10	GASKET, PUMP CASE PANEL	1	
5-1	17561-90J02	TUBE, WATER (L)	1	TRANSOM(L)
5-2	17561-90J12	TUBE, WATER (X)	1	TRANSOM(X)
6	17562-90J00	BUSH, WATER TUBE UPPER	1	
7	17563-87D00	BUSH, WATER TUBE LOWER	1	
8	17564-87D00	BUSH, WATER PUMP CASE	1	
9	17631-90J00	FILTER, WATER PORT SIDE	1	
10	17632-90J00	FILTER, WATER STBD SIDE	1	
11	17635-90J00	PLUG, SUB WATER TUBE	1	
12	09116-08131	BOLT (8X45)	4	
13	09125-05046	SCREW (5X12)	2	
14	09161-16008	WASHER (15.8X26X1)	1	
15	09202-06031	PIN	2	
16	09420-05009	KEY	1	
17	09132-04034	SCREW (4X18)	2	
18	17413-92J11	SLEEVE, WATER PUMP CASE	1	
19	17416-92J10	SEALING, WATER PUMP CASE	1	
20	17612-90J00	SPACER, WATER TUBE	1	TRANSOM(X)
21	17400-92J21	KIT, WATER PUMP REPAIR	1	OPT

FIG.43



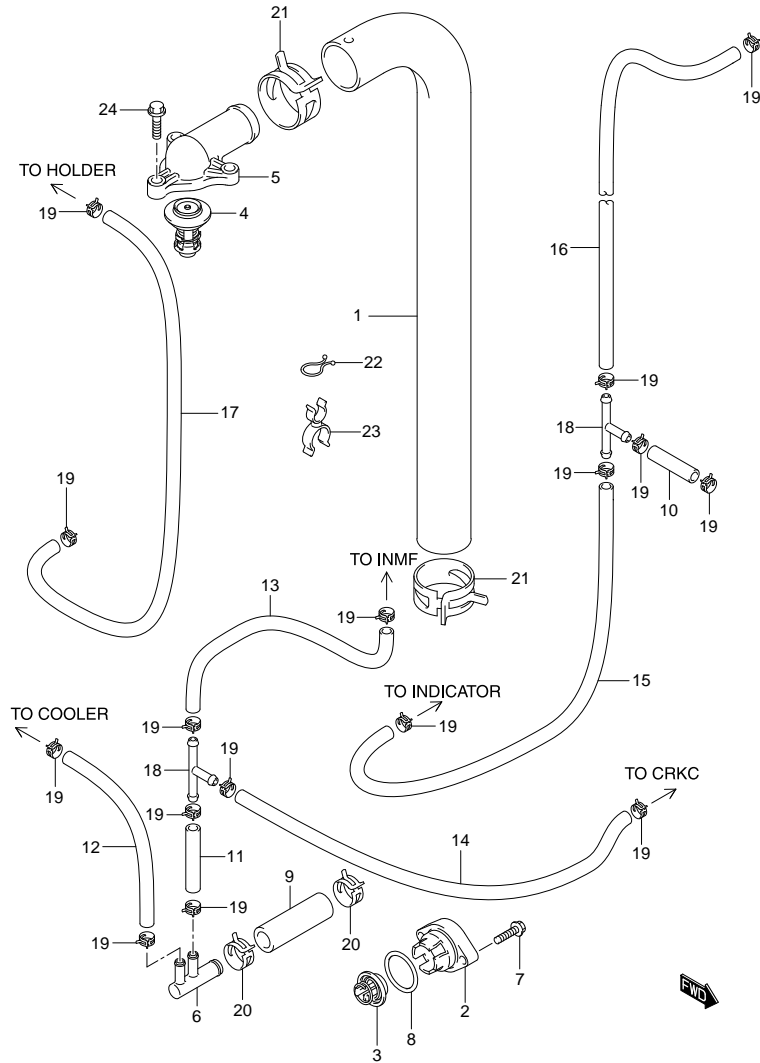
DF100 115 E01 012_043
THERMOSTAT

FIG.43 (1-E-8) THERMOSTAT (DF100T E1)

REF NO.	PART NO.	DESCRIPTION	Q'TY	REMARKS
1	11196-90J00	HOSE, WATER RETURN	1	
2	17611-90J00-0EP	COVER, WATER PRESS VALVE	1	BLACK
3	17660-90J00	VALVE, WATER PRESSURE	1	
4-1	17670-90J00	THERMOSTAT (60°C)	1	
4-2	17670-90J10	THERMOSTAT (71°C)	1	OPT
5	17681-90J01	COVER, THERMOSTAT	1	
6	17711-90J00	3 WAY, WATER HOSE	1	
7	09116-06121	BOLT (6X25)	2	
8	09280-26006	O RING (D:3.1, ID:26.4)	1	
9	09352-11153-600	HOSE (11X15X600)	1	L:600->50
10	09352-50903-600	HOSE (5X9X600)	1	HOLDER TO 3 WAY L:600->50
11	09352-50903-600	HOSE (5X9X600)	1	INMF COVER TO 3 WAY L:600->70
12	09352-50903-600	HOSE (5X9X600)	1	3 WAY TO 3 WAY L:600->160
13	09352-50903-600	HOSE (5X9X600)	1	3 WAY TO COOLER L:600->200
14	09352-50903-600	HOSE (5X9X600)	1	3 WAY TO INMF L:600->370
15	09352-50903-600	HOSE (5X9X600)	1	3 WAY TO CRKC LOWER L:600->370
16	09352-50903-600	HOSE (5X9X600)	1	3 WAY TO INDICATOR L:600->450
17	09352-50903-00B	HOSE (5X9X600)	1	CRKC UPPER TO 3 WAY L:2000->690 COOLER TO HOLDER
18	09367-06002	JOINT, 3 WAY	2	
19	09401-08413	CLIP	16	
20	09401-14409	CLIP	2	
21	09401-31407	CLIP	2	
22	09408-00024	CLIP	1	
23	09408-00069	CLIP	1	
24	01550-06257	BOLT	3	

DF100/115 E01 012

FIG.44

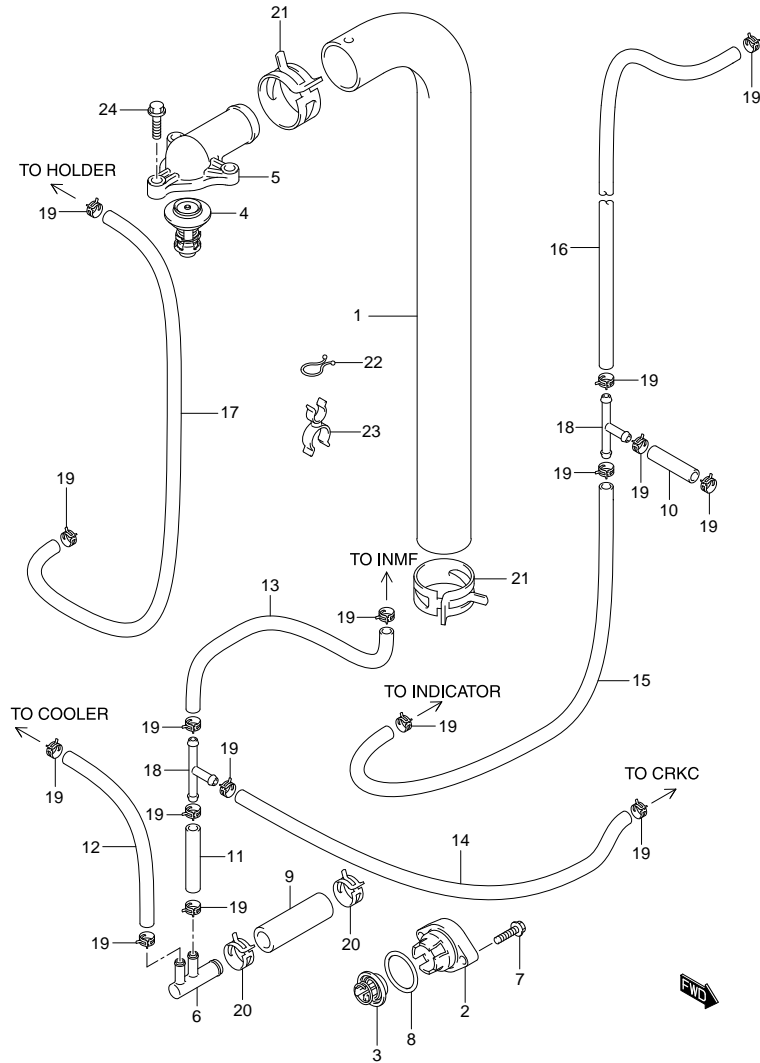


DF100 115 E01 012_044
THERMOSTAT

FIG.44 (1-E-9) THERMOSTAT (DF100T E40)

REF NO.	PART NO.	DESCRIPTION	Q'TY	REMARKS
1	11196-90J00	HOSE, WATER RETURN	1	
2	17611-90J00-0EP	COVER, WATER PRESS VALVE	1	BLACK
3	17660-90J00	VALVE, WATER PRESSURE	1	
4-1	17670-90J00	THERMOSTAT (60°C)	1	
4-2	17670-90J10	THERMOSTAT (71°C)	1	OPT
5	17681-90J01	COVER, THERMOSTAT	1	
6	17711-90J00	3 WAY, WATER HOSE	1	
7	09116-06121	BOLT (6X25)	2	
8	09280-26006	O RING (D:3.1, ID:26.4)	1	
9	09352-11153-600	HOSE (11X15X600)	1	L:600->50
10	09352-50903-600	HOSE (5X9X600)	1	HOLDER TO 3 WAY L:600->50
11	09352-50903-600	HOSE (5X9X600)	1	INMF COVER TO 3 WAY L:600->70
12	09352-50903-600	HOSE (5X9X600)	1	3 WAY TO 3 WAY L:600->160
13	09352-50903-600	HOSE (5X9X600)	1	3 WAY TO COOLER L:600->200
14	09352-50903-600	HOSE (5X9X600)	1	3 WAY TO INMF L:600->370
15	09352-50903-600	HOSE (5X9X600)	1	3 WAY TO CRKC LOWER L:600->370
16	09352-50903-600	HOSE (5X9X600)	1	3 WAY TO INDICATOR L:600->450
17	09352-50903-00B	HOSE (5X9X600)	1	CRKC UPPER TO 3 WAY L:2000->690 COOLER TO HOLDER
18	09367-06002	JOINT, 3 WAY	2	
19	09401-08413	CLIP	16	
20	09401-14409	CLIP	2	
21	09401-31407	CLIP	2	
22	09408-00024	CLIP	1	
23	09408-00069	CLIP	1	
24	01550-06257	BOLT	3	

FIG.45



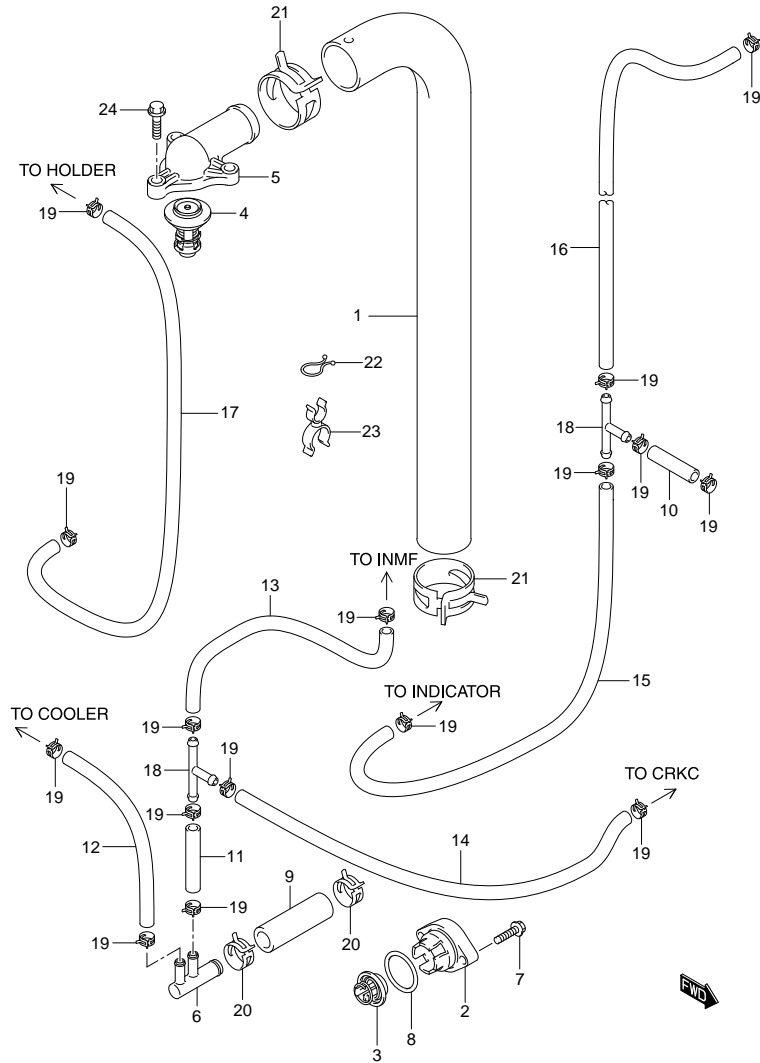
DF100 115 E01 012_045
THERMOSTAT

FIG.45 (1-E-10) THERMOSTAT (DF115T E1)

REF NO.	PART NO.	DESCRIPTION	Q'TY	REMARKS
1	11196-90J00	HOSE, WATER RETURN	1	
2	17611-90J00-0EP	COVER, WATER PRESS VALVE	1	BLACK
3	17660-90J00	VALVE, WATER PRESSURE	1	
4-1	17670-90J00	THERMOSTAT (60°C)	1	
4-2	17670-90J10	THERMOSTAT (71°C)	1	OPT
5	17681-90J01	COVER, THERMOSTAT	1	
6	17711-90J00	3 WAY, WATER HOSE	1	
7	09116-06121	BOLT (6X25)	2	
8	09280-26006	O RING (D:3.1, ID:26.4)	1	
9	09352-11153-600	HOSE (11X15X600)	1	L:600->50
10	09352-50903-600	HOSE (5X9X600)	1	HOLDER TO 3 WAY L:600->50
11	09352-50903-600	HOSE (5X9X600)	1	INMF COVER TO 3 WAY L:600->70
12	09352-50903-600	HOSE (5X9X600)	1	3 WAY TO 3 WAY L:600->160
13	09352-50903-600	HOSE (5X9X600)	1	3 WAY TO COOLER L:600->200
14	09352-50903-600	HOSE (5X9X600)	1	3 WAY TO INMF L:600->370
15	09352-50903-600	HOSE (5X9X600)	1	3 WAY TO CRKC LOWER L:600->370
16	09352-50903-600	HOSE (5X9X600)	1	3 WAY TO INDICATOR L:600->450
17	09352-50903-00B	HOSE (5X9X600)	1	CRKC UPPER TO 3 WAY L:2000->690 COOLER TO HOLDER
18	09367-06002	JOINT, 3 WAY	2	
19	09401-08413	CLIP	16	
20	09401-14409	CLIP	2	
21	09401-31407	CLIP	2	
22	09408-00024	CLIP	1	
23	09408-00069	CLIP	1	
24	01550-06257	BOLT	3	

DF100/115 E01 012

FIG.46



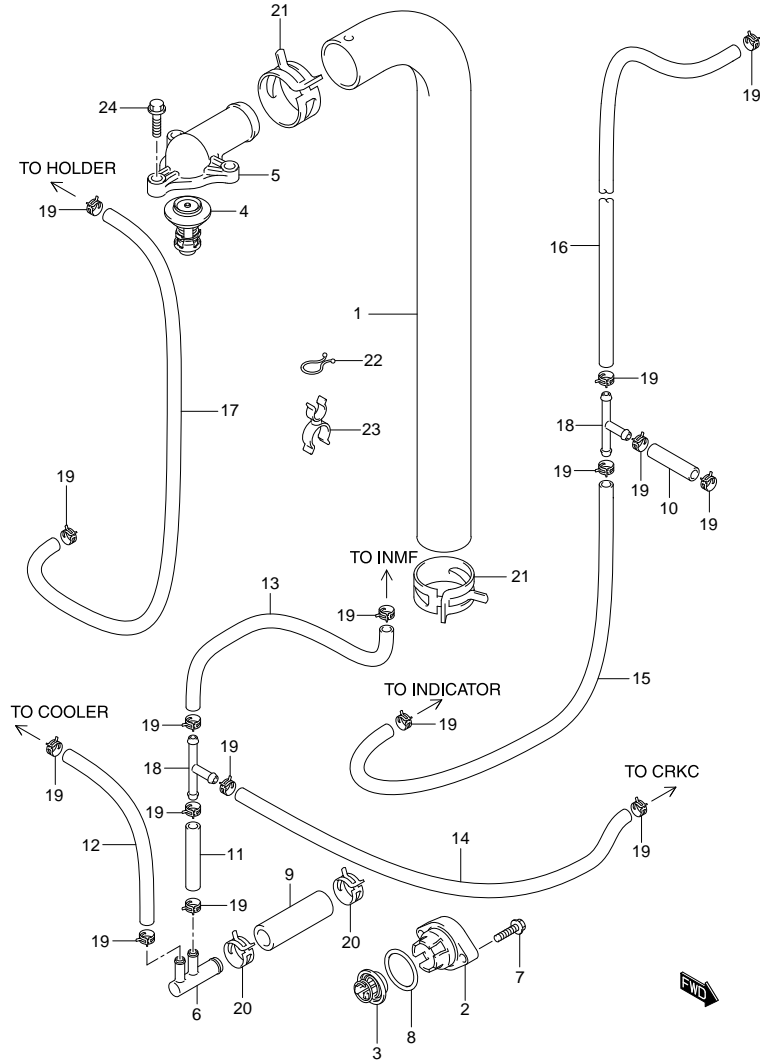
DF100 115 E01 012_046
THERMOSTAT

FIG.46 (1-E-11) THERMOSTAT (DF115T E40)

REF NO.	PART NO.	DESCRIPTION	Q'TY	REMARKS
1	11196-90J00	HOSE, WATER RETURN	1	
2	17611-90J00-0EP	COVER, WATER PRESS VALVE	1	BLACK
3	17660-90J00	VALVE, WATER PRESSURE	1	
4-1	17670-90J00	THERMOSTAT (60°C)	1	
4-2	17670-90J10	THERMOSTAT (71°C)	1	OPT
5	17681-90J01	COVER, THERMOSTAT	1	
6	17711-90J00	3 WAY, WATER HOSE	1	
7	09116-06121	BOLT (6X25)	2	
8	09280-26006	O RING (D:3.1, ID:26.4)	1	
9	09352-11153-600	HOSE (11X15X600)	1	L:600->50
10	09352-50903-600	HOSE (5X9X600)	1	HOLDER TO 3 WAY L:600->50
11	09352-50903-600	HOSE (5X9X600)	1	INMF COVER TO 3 WAY L:600->70
12	09352-50903-600	HOSE (5X9X600)	1	3 WAY TO 3 WAY L:600->160
13	09352-50903-600	HOSE (5X9X600)	1	3 WAY TO COOLER L:600->200
14	09352-50903-600	HOSE (5X9X600)	1	3 WAY TO INMF L:600->370
15	09352-50903-600	HOSE (5X9X600)	1	3 WAY TO CRKC LOWER L:600->370
16	09352-50903-600	HOSE (5X9X600)	1	3 WAY TO INDICATOR L:600->450
17	09352-50903-00B	HOSE (5X9X600)	1	CRKC UPPER TO 3 WAY L:2000->690 COOLER TO HOLDER
18	09367-06002	JOINT, 3 WAY	2	
19	09401-08413	CLIP	16	
20	09401-14409	CLIP	2	
21	09401-31407	CLIP	2	
22	09408-00024	CLIP	1	
23	09408-00069	CLIP	1	
24	01550-06257	BOLT	3	

DF100/115 E01 012

FIG.47



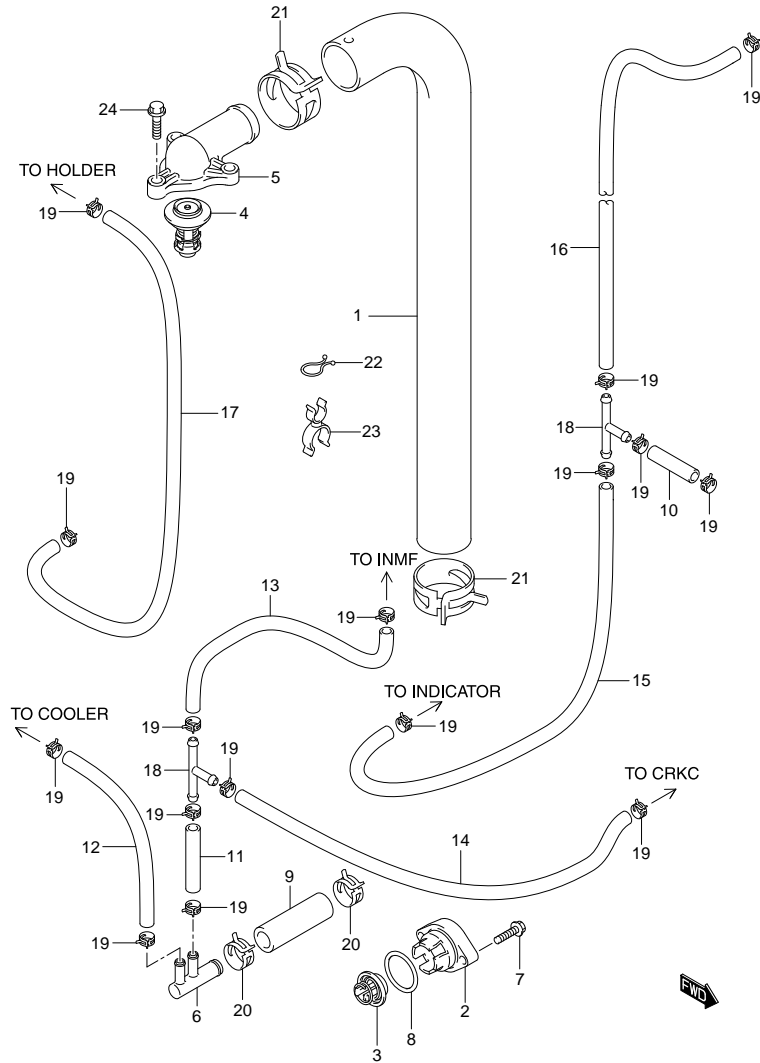
DF100 115 E01 012_047
THERMOSTAT

FIG. 47 (1-E-12) THERMOSTAT (DF1157 E1)

REF NO.	PART NO.	DESCRIPTION	Q'TY	REMARKS
1	11196-90J00	HOSE, WATER RETURN	1	
2	17611-90J00-0EP	COVER, WATER PRESS VALVE	1	BLACK
3	17660-90J00	VALVE, WATER PRESSURE	1	
4-1	17670-90J00	THERMOSTAT (60°C)	1	
4-2	17670-90J10	THERMOSTAT (71°C)	1	OPT
5	17681-90J01	COVER, THERMOSTAT	1	
6	17711-90J00	3 WAY, WATER HOSE	1	
7	09116-06121	BOLT (6X25)	2	
8	09280-26006	O RING (D:3.1, ID:26.4)	1	
9	09352-11153-600	HOSE (11X15X600)	1	L:600->50
10	09352-50903-600	HOSE (5X9X600)	1	HOLDER TO 3 WAY L:600->50
11	09352-50903-600	HOSE (5X9X600)	1	INMF COVER TO 3 WAY L:600->70
12	09352-50903-600	HOSE (5X9X600)	1	3 WAY TO 3 WAY L:600->160
13	09352-50903-600	HOSE (5X9X600)	1	3 WAY TO COOLER L:600->200
14	09352-50903-600	HOSE (5X9X600)	1	3 WAY TO INMF L:600->370
15	09352-50903-600	HOSE (5X9X600)	1	3 WAY TO CRKC LOWER L:600->370
16	09352-50903-600	HOSE (5X9X600)	1	3 WAY TO INDICATOR L:600->450
17	09352-50903-00B	HOSE (5X9X600)	1	CRKC UPPER TO 3 WAY L:2000->690
18	09367-06002	JOINT, 3 WAY	2	COOLER TO HOLDER
19	09401-08413	CLIP	16	
20	09401-14409	CLIP	2	
21	09401-31407	CLIP	2	
22	09408-00024	CLIP	1	
23	09408-00069	CLIP	1	
24	01550-06257	BOLT	3	

DF100/115 E01 012

FIG.48



DF100 115 E01 012_048
THERMOSTAT

FIG. 48 (1-E-13) THERMOSTAT (DF1157 E40)

REF NO.	PART NO.	DESCRIPTION	Q' TY	REMARKS
1	11196-90J00	HOSE, WATER RETURN	1	
2	17611-90J00-0EP	COVER, WATER PRESS VALVE	1	BLACK
3	17660-90J00	VALVE, WATER PRESSURE	1	
4-1	17670-90J00	THERMOSTAT (60°C)	1	
4-2	17670-90J10	THERMOSTAT (71°C)	1	OPT
5	17681-90J01	COVER, THERMOSTAT	1	
6	17711-90J00	3 WAY, WATER HOSE	1	
7	09116-06121	BOLT (6X25)	2	
8	09280-26006	O RING (D:3.1, ID:26.4)	1	
9	09352-11153-600	HOSE (11X15X600)	1	L:600->50
10	09352-50903-600	HOSE (5X9X600)	1	HOLDER TO 3 WAY L:600->50
11	09352-50903-600	HOSE (5X9X600)	1	INMF COVER TO 3 WAY L:600->70
12	09352-50903-600	HOSE (5X9X600)	1	3 WAY TO 3 WAY L:600->160
13	09352-50903-600	HOSE (5X9X600)	1	3 WAY TO COOLER L:600->200
14	09352-50903-600	HOSE (5X9X600)	1	3 WAY TO INMF L:600->370
15	09352-50903-600	HOSE (5X9X600)	1	3 WAY TO CRKC LOWER L:600->370
16	09352-50903-600	HOSE (5X9X600)	1	3 WAY TO INDICATOR L:600->450
17	09352-50903-00B	HOSE (5X9X600)	1	CRKC UPPER TO 3 WAY L:2000->690 COOLER TO HOLDER
18	09367-06002	JOINT, 3 WAY	2	
19	09401-08413	CLIP	16	
20	09401-14409	CLIP	2	
21	09401-31407	CLIP	2	
22	09408-00024	CLIP	1	
23	09408-00069	CLIP	1	
24	01550-06257	BOLT	3	

DF100/115 E01 012

FIG.49

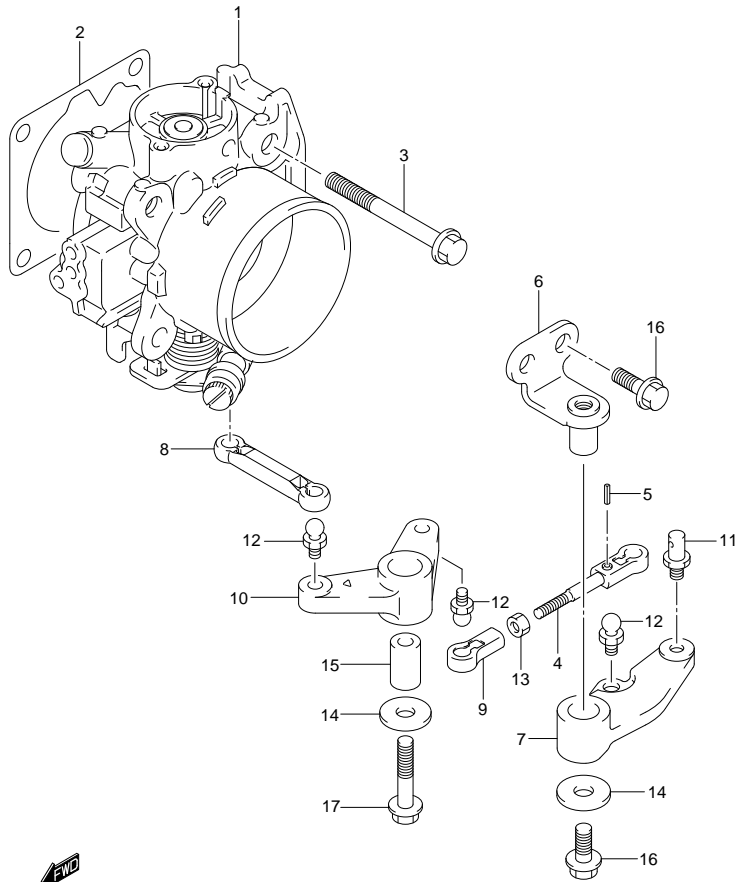


FIG.49 (1-E-14) THROTTLE BODY

REF NO.	PART NO.	DESCRIPTION	Q'TY	REMARKS
1	13300-90J00	BODY ASSY, THROTTLE	1	
2	13421-90J00	GASKET, THROTTLE BODY	1	
3	01550-08557	BOLT	4	
4	13510-90J00	ROD, THROTTLE	1	
5	09205-02006	·SPRING	1	
6	19115-90J00	HOLDER, THROTTLE LEVER	1	
7	19121-90J00	LEVER, THROTTLE NO.1	1	
8	19130-90J10	ROD, THROTTLE NO.2	1	
9	19131-95502	CONNECTOR, THROTTLE ROD	1	
10	19148-90J00	LEVER, THROTTLE	1	
11	67473-89J00	PIN, REMOCON CONNECTOR	1	
12	09119-05010	PIVOT	3	
13	09140-05005	NUT	1	
14	09160-06046	WASHER (6.5X20X1.5)	2	
15	09180-06186	SPACER (6.2X12.6X21)	1	
16	01550-06167	BOLT	3	
17	01550-06357	BOLT	1	



FIG.50

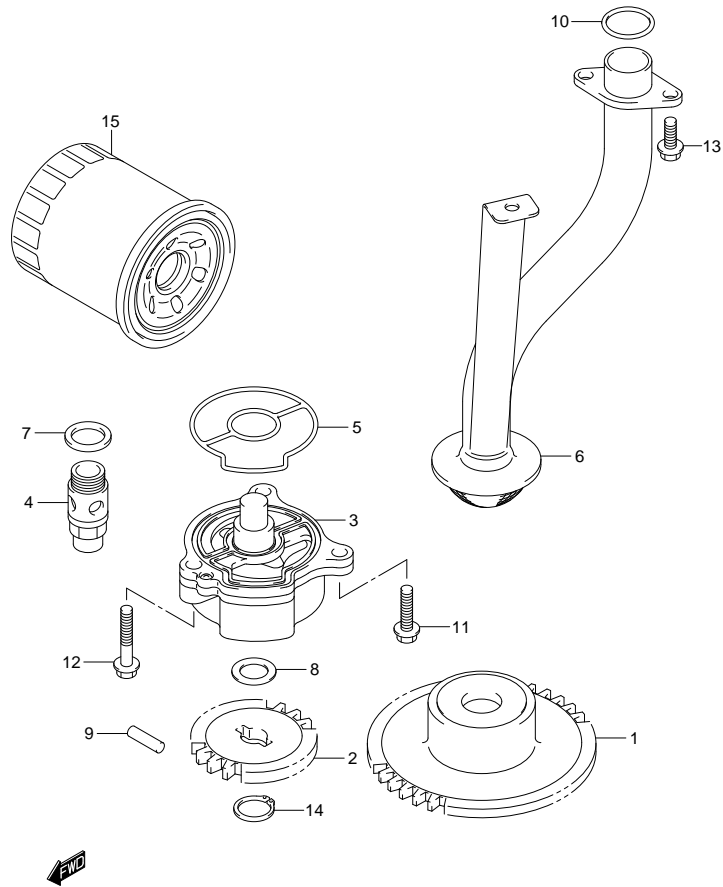


FIG. 50 (1-E-15) OIL PUMP

REF NO.	PART NO.	DESCRIPTION	Q' TY	REMARKS
1	12632-92J11	GEAR, OIL PUMP DRIVE	1	
2	16113-92J11	GEAR, OIL PUMP DRIVEN	1	
3	16400-90J00	PUMP ASSY, OIL	1	
4	16440-99E00	VALVE, OIL RELIEF	1	
5	16451-90J00	O RING, OIL PUMP	1	
6	16520-90J00	STRAINER, OIL PUMP	1	
7	09168-16002	GASKET (16X22X2)	1	
8	09181-12158	SHIM (12X20X0.5)	1	
9	09261-05006	PIN	1	
10	09280-22020	O RING (D:2.4,ID:21.8)	2	
11	01547-06257	BOLT	1	
12	01547-06357	BOLT	2	
13	01550-0616A	BOLT	3	
14	08331-3112A	CIRCLIP	1	
15	16510-61A30	FILTER, OIL	1	

FIG.51

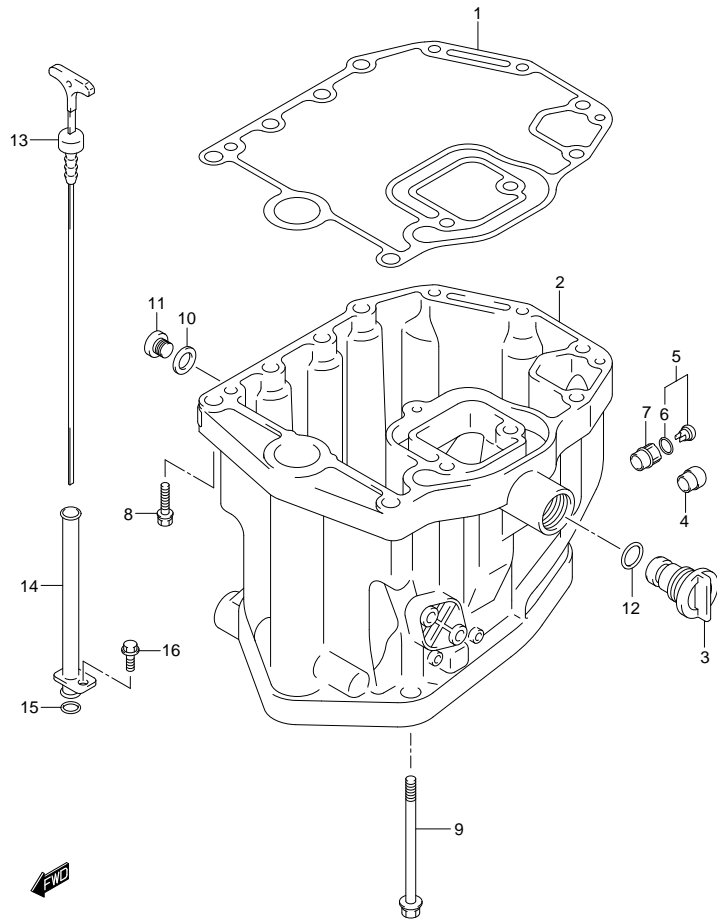


FIG. 51 (1-F-2) OIL PAN

REF NO.	PART NO.	DESCRIPTION	Q' TY	REMARKS
1	11489-90J00	GASKET, OIL PAN	1	
2	11501-90J04-0EP	PAN, OIL (BLACK)	1	
3	17913-99E11	PLUG, WATER	1	
4	43112-99E00	PIPE, EXHAUST	1	
5	61150-99E00	COVER, WATER INDICATOR	1	
6	09280-09005	O RING (D:1.9,ID:8.6)	1	
7	61155-99E01	TUBE, WATER INDICATOR	1	
8	09116-08128	BOLT (8X40)	3	
9	09116-10129	BOLT (10X160)	8	
10	09168-12012	GASKET (12.5X20X2.5)	1	
11	09248-12009	PLUG	1	
12	09280-13005	O RING (D:3.5,ID:12.8)	1	
13	16910-90J00	GAUGE, OIL LEVEL	1	
14	16930-90J01	GUIDE, OIL LEVEL	1	
15	09280-09008	O RING (D:2.1,ID:8.8)	1	
16	01550-06127	BOLT	1	

FIG.52

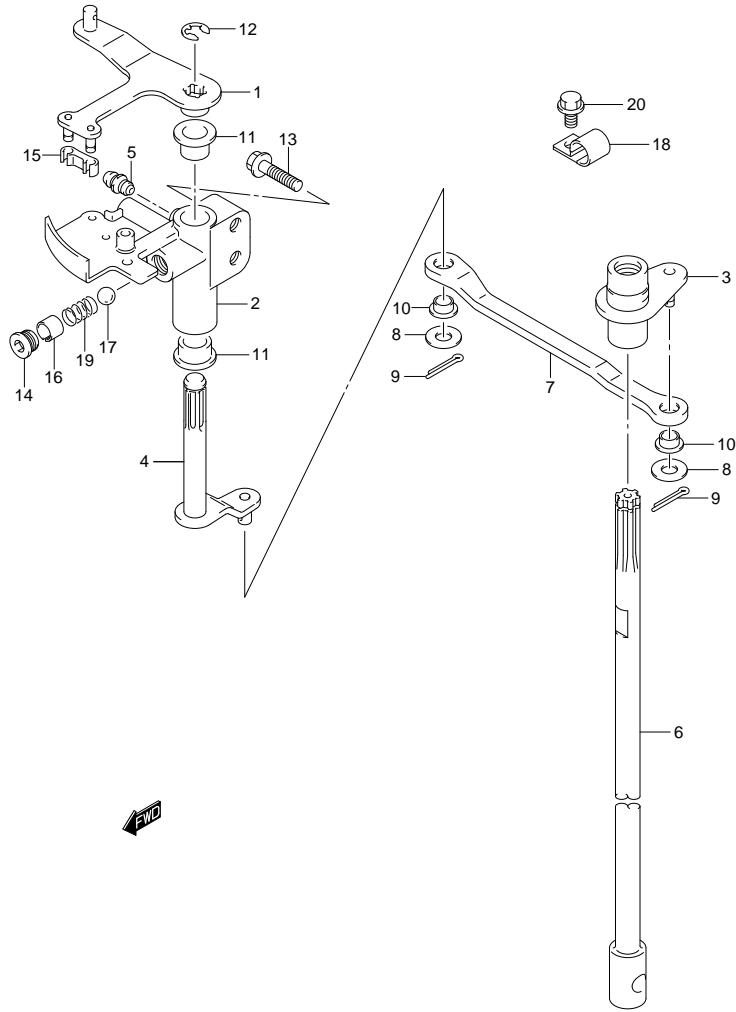


FIG. 52 (1-F-3) CLUTCH SHAFT

REF NO.	PART NO.	DESCRIPTION	Q' TY	REMARKS
1	21110-92J00	LEVER, CLUTCH	1	
2	21151-92J00	HOLDER, CLUTCH LEVER	1	
3	21210-92J00	SHAFT, CLUTCH	1	
4	21230-92J00	ARM, CLUTCH SHAFT	1	
5	22511-99011	NIPPLE, GREASE	1	
6-1	23111-90J02	ROD, CLUTCH (L)	1	TRANSOM(L)
6-2	23111-90J12	ROD, CLUTCH (X)	1	TRANSOM(X)
7	23115-92J00	LINK, CLUTCH LEVER	1	
8	09160-06094	WASHER (6.5X15X1.5)	2	
9	09204-01006	PIN	2	
10	09306-06004	BUSH	2	
11	09306-10001	BUSH	2	
12	09383-08004	E RING	1	
13	01550-06307	BOLT	2	
14	11118-95J00	PLUG, NOTCH SPRING	1	
15	21131-93J00	BUSH, CLUTCH LEVER	1	
16	09205-10006	SPRING	1	
17	09260-10005	BALL	1	
18	09403-13408	CLAMP	1	
19	09440-07071	SPRING	1	
20	01550-06127	BOLT	1	

FIG.53

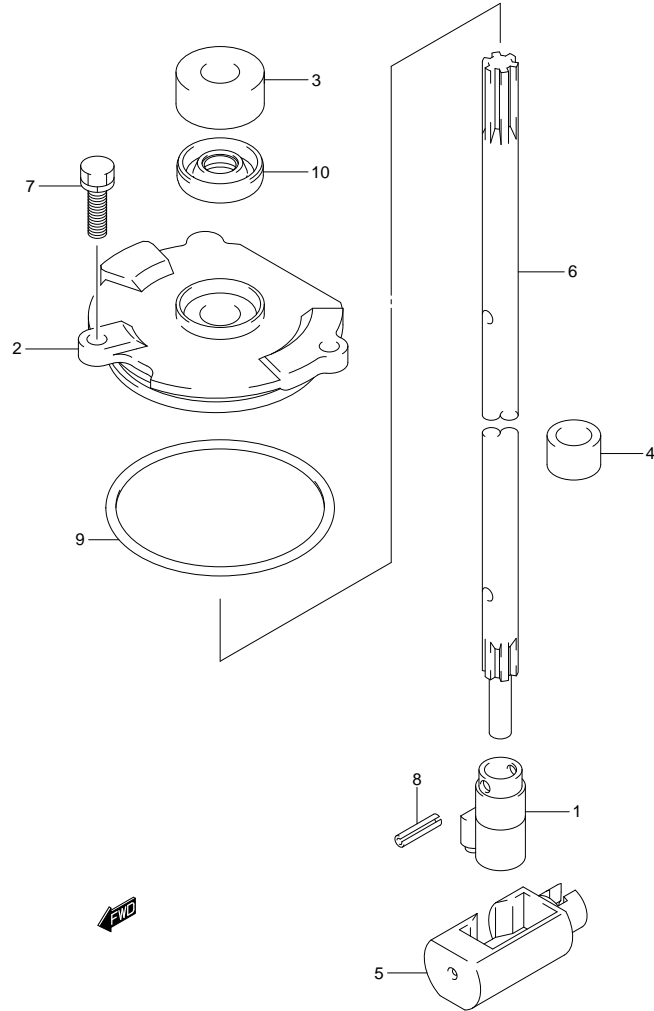


FIG. 53 (1-F-4) SHIFT ROD (DF100T E1)

REF NO.	PART NO.	DESCRIPTION	Q'TY	REMARKS
1	25131-92J00	YOKE, SHIFTER	1	
2	25141-92J00	HOUSING, SHIFT ROD GUIDE	1	
3	25222-92J00	COVER, OIL SEAL	1	
4	25232-90J00	MAGNET, GEAR CASE	1	
5	25321-92J10	SLIDER, SHIFT HORIZONTAL	1	
6-1	25111-92J00	ROD ASSY, SHIFT (L)	1	TRANSOM(L)
6-2	25111-92J10	ROD ASSY, SHIFT (X)	1	TRANSOM(X)
7	29116-93J00	BOLT (6X20)	2	
8	09205-04014	SPRING	2	
9	09280-69001	O RING (D:3.1,ID:68.5)	1	
10	09283-10011	OIL SEAL (10X22X8)	1	

FIG.54

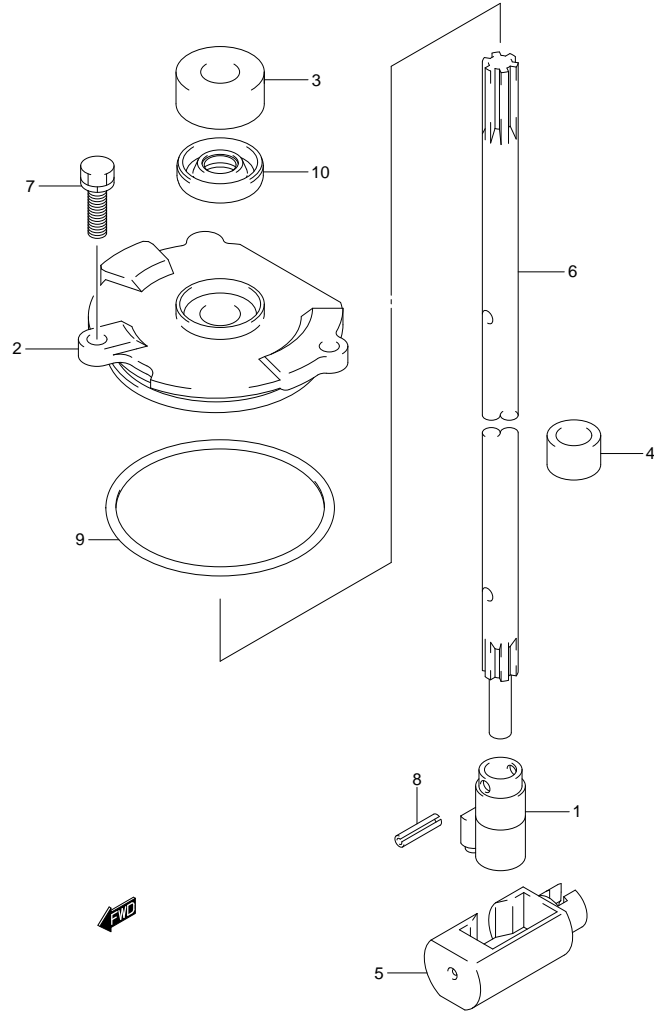


FIG. 54 (1-F-5) SHIFT ROD (DF100T E40)

REF NO.	PART NO.	DESCRIPTION	Q'TY	REMARKS
1	25131-92J00	YOKE, SHIFTER	1	
2	25141-92J00	HOUSING, SHIFT ROD GUIDE	1	
3	25222-92J00	COVER, OIL SEAL	1	
4	25232-90J00	MAGNET, GEAR CASE	1	
5	25321-92J10	SLIDER, SHIFT HORIZONTAL	1	
6-1	25111-92J00	ROD ASSY, SHIFT (L)	1	TRANSOM(L)
6-2	25111-92J10	ROD ASSY, SHIFT (X)	1	TRANSOM(X)
7	29116-93J00	BOLT (6X20)	2	
8	09205-04014	SPRING	2	
9	09280-69001	O RING (D:3.1,ID:68.5)	1	
10	09283-10011	OIL SEAL (10X22X8)	1	

FIG.55

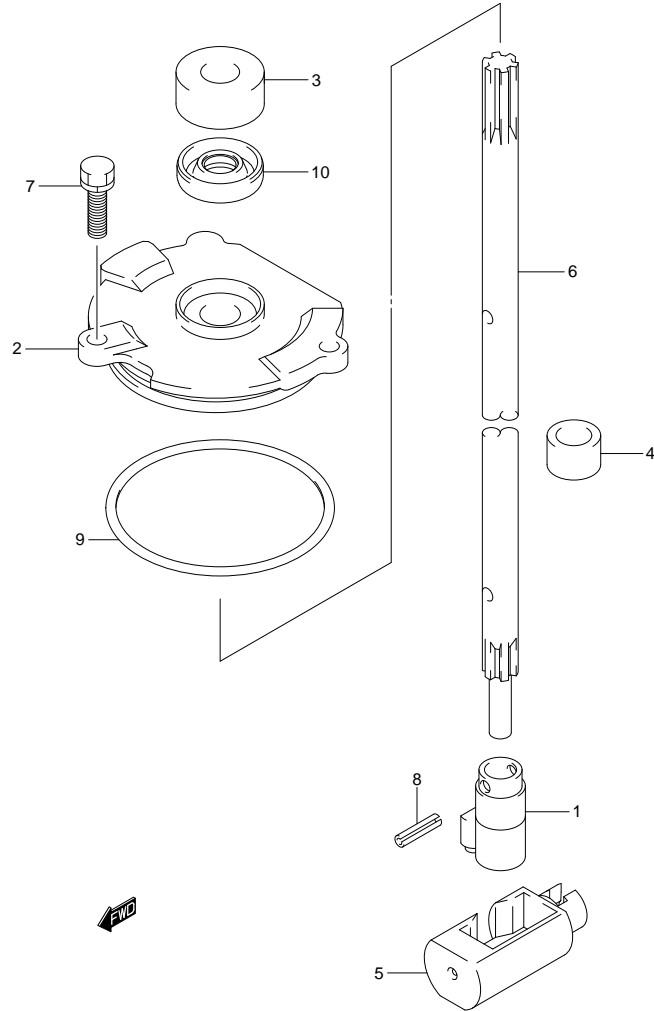


FIG. 55 (1-F-6) SHIFT ROD (DF115T E1)

REF NO.	PART NO.	DESCRIPTION	Q'TY	REMARKS
1	25131-92J00	YOKE, SHIFTER	1	
2	25141-92J00	HOUSING, SHIFT ROD GUIDE	1	
3	25222-92J00	COVER, OIL SEAL	1	
4	25232-90J00	MAGNET, GEAR CASE	1	
5	25321-92J10	SLIDER, SHIFT HORIZONTAL	1	
6-1	25111-92J00	ROD ASSY, SHIFT (L)	1	TRANSOM(L)
6-2	25111-92J10	ROD ASSY, SHIFT (X)	1	TRANSOM(X)
7	29116-93J00	BOLT (6X20)	2	
8	09205-04014	SPRING	2	
9	09280-69001	O RING (D:3.1,ID:68.5)	1	
10	09283-10011	OIL SEAL (10X22X8)	1	

FIG.56

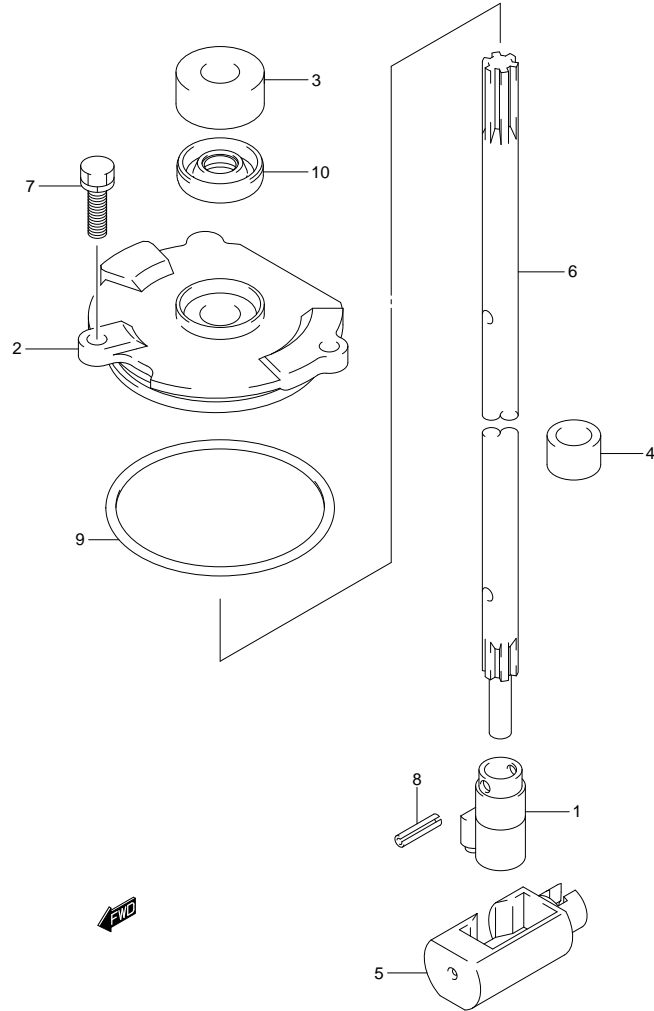


FIG. 56 (1-F-7) SHIFT ROD (DF115T E40)

REF NO.	PART NO.	DESCRIPTION	Q' TY	REMARKS
1	25131-92J00	YOKE, SHIFTER	1	
2	25141-92J00	HOUSING, SHIFT ROD GUIDE	1	
3	25222-92J00	COVER, OIL SEAL	1	
4	25232-90J00	MAGNET, GEAR CASE	1	
5	25321-92J10	SLIDER, SHIFT HORIZONTAL	1	
6-1	25111-92J00	ROD ASSY, SHIFT (L)	1	TRANSOM(L)
6-2	25111-92J10	ROD ASSY, SHIFT (X)	1	TRANSOM(X)
7	29116-93J00	BOLT (6X20)	2	
8	09205-04014	SPRING	2	
9	09280-69001	O RING (D:3.1,ID:68.5)	1	
10	09283-10011	OIL SEAL (10X22X8)	1	

FIG.57

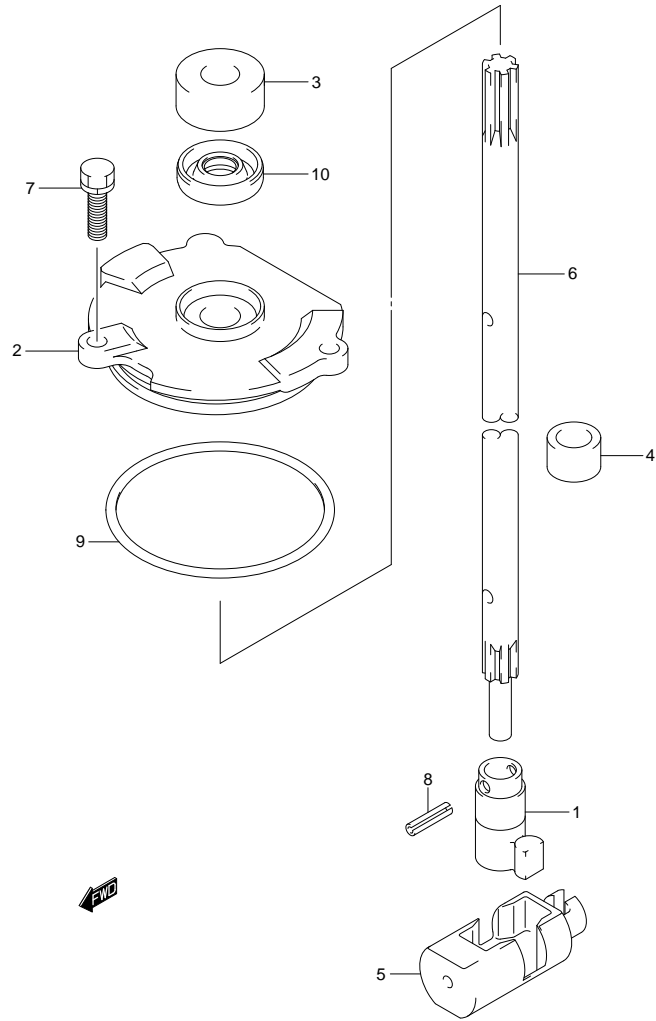


FIG. 57 (1-F-8) SHIFT ROD (DF115Z E1)

REF NO.	PART NO.	DESCRIPTION	Q' TY	REMARKS
1	25131-92J00	YOKE, SHIFTER	1	
2	25141-92J00	HOUSING, SHIFT ROD GUIDE	1	
3	25222-92J00	COVER, SFT GUIDE HSG OIL SEAL	1	
4	25232-90J00	MAGNET, GEAR CASE	1	
5	25321-92J20	SLIDER, SHIFT HORIZONTAL	1	
6-1	25111-92J00	ROD ASSY, SHIFT (L)	1	TRANSOM(L)
6-2	25111-92J10	ROD ASSY, SHIFT (X)	1	TRANSOM(X)
7	29116-93J00	BOLT (6X20)	2	
8	09205-04014	SPRING	2	
9	09280-69001	O RING (D:3.1,ID:68.5)	1	
10	09283-10011	OIL SEAL (10X22X8)	1	

FIG.58

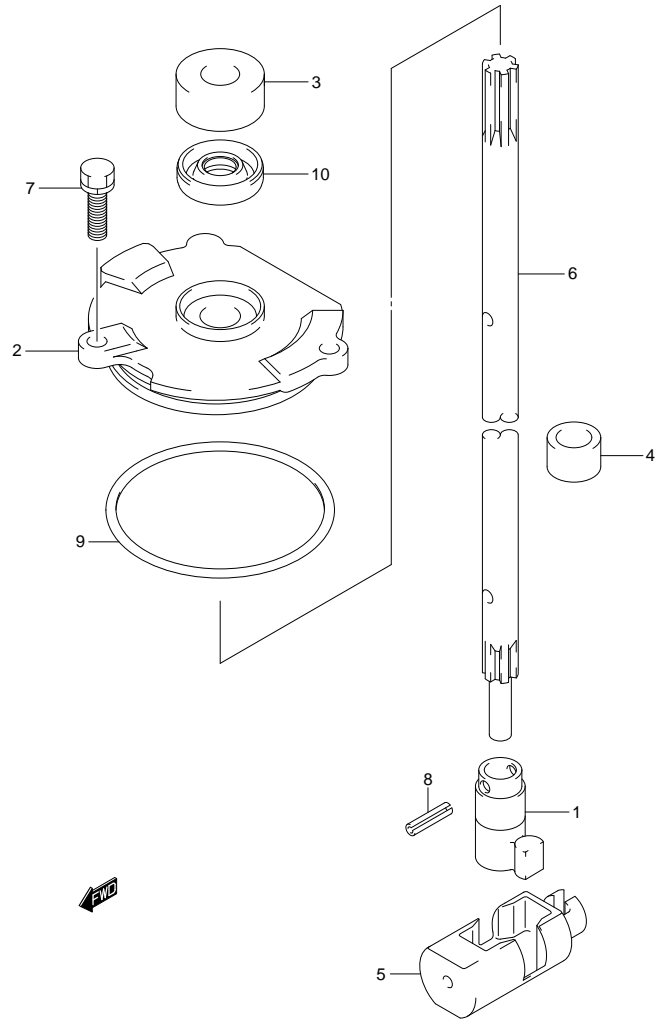


FIG. 58 (1-F-9) SHIFT ROD (DF115Z E40)

REF NO.	PART NO.	DESCRIPTION	Q'TY	REMARKS
1	25131-92J00	YOKE, SHIFTER	1	
2	25141-92J00	HOUSING, SHIFT ROD GUIDE	1	
3	25222-92J00	COVER, SFT GUIDE HSG OIL SEAL	1	
4	25232-90J00	MAGNET, GEAR CASE	1	
5	25321-92J20	SLIDER, SHIFT HORIZONTAL	1	
6-1	25111-92J00	ROD ASSY, SHIFT (L)	1	TRANSOM(L)
6-2	25111-92J10	ROD ASSY, SHIFT (X)	1	TRANSOM(X)
7	29116-93J00	BOLT (6X20)	2	
8	09205-04014	SPRING	2	
9	09280-69001	O RING (D:3.1,ID:68.5)	1	
10	09283-10011	OIL SEAL (10X22X8)	1	

FIG.59

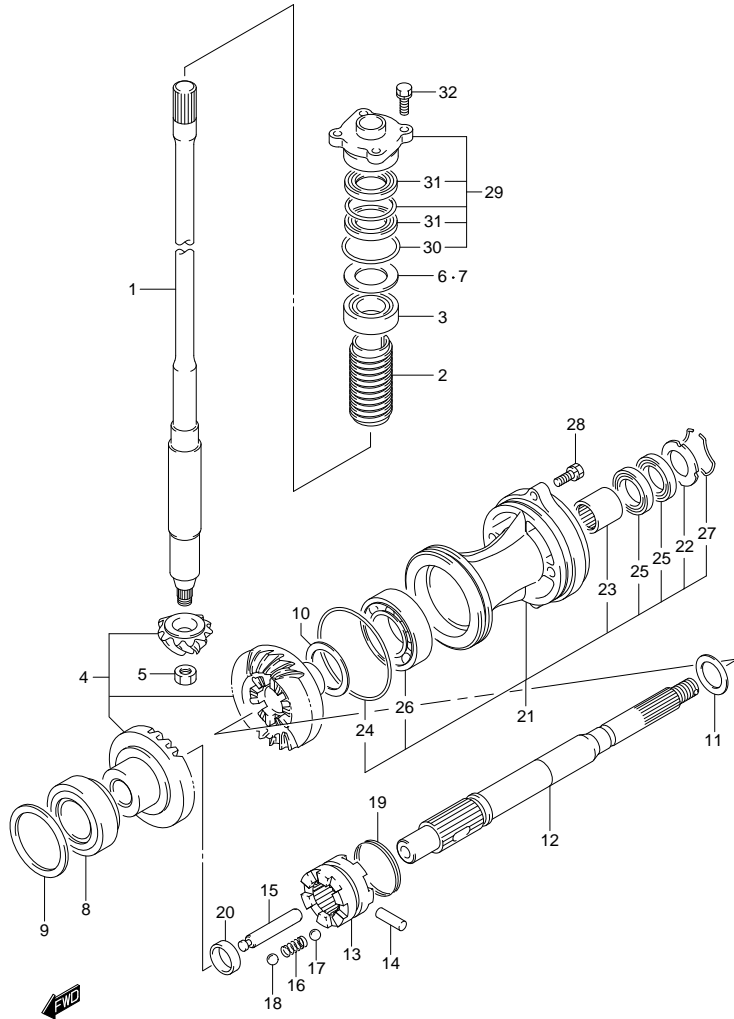


FIG. 59 (1-F-10) TRANSMISSION (DF100T E1)

REF NO.	PART NO.	DESCRIPTION	Q'TY	REMARKS
1-1	57110-92J41	SHAFT ASSY, DRIVE (L)	1	TRANSOM(L)
1-2	57110-92J51	SHAFT ASSY, DRIVE (X)	1	TRANSOM(X)
2	57133-90J01	COLLAR, DRIVE SHAFT	1	
3	09265-25040	BEARING (25X52X29.25)	1	
4	57300-90820	PINION/GEAR SET	1	
5	09140-14024	NUT	1	
6	57500-87873	SHIM SET, DRIVE SHAFT	1	
7-1	09181-40186	·SHIM (41X52X0.5)	1	
7-2	09181-41002	·SHIM (41X52X0.55)	1	
7-3	09181-41003	·SHIM (41X52X0.6)	1	
7-4	09181-41004	·SHIM (41X52X0.65)	1	
7-5	09181-41005	·SHIM (41X52X0.7)	1	
7-6	09181-41006	·SHIM (41X52X0.75)	1	
7-7	09181-40190	·SHIM (40X52X0.8)	1	
7-8	09181-41008	·SHIM (41X52X0.85)	1	
7-9	09181-41009	·SHIM (41X52X0.9)	1	
7-10	09181-41010	·SHIM (41X52X0.95)	1	
7-11	09181-40195	·SHIM (40X52X1)	1	
7-12	09181-41012	·SHIM (41X52X1.05)	1	
7-13	09181-41013	·SHIM (41X52X1.1)	1	
7-14	09181-41014	·SHIM (41X52X1.15)	1	

FIG.59

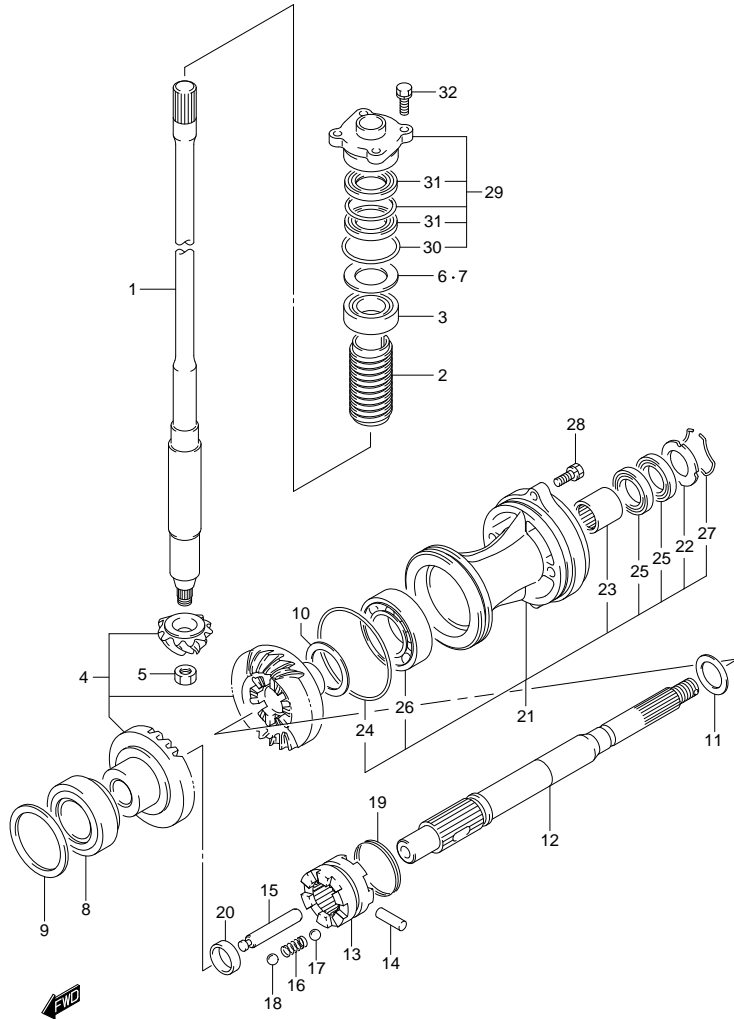


FIG. 59 (1-F-11) TRANSMISSION (DF100T E1)

REF NO.	PART NO.	DESCRIPTION	Q'TY	REMARKS
8	09265-50003	BEARING (50X85X26)	1	PART OF GEAR CASE
9-1	09181-50020	SHIM (50X65X0.45)	1	
9-2	09181-50021	SHIM (50X65X0.5)	1	
9-3	09181-50022	SHIM (50X65X0.55)	1	
9-4	09181-50023	SHIM (50X65X0.6)	1	
9-5	09181-50024	SHIM (50X65X0.65)	1	
9-6	09181-50025	SHIM (50X65X0.7)	1	
9-7	09181-50026	SHIM (50X65X0.75)	1	
9-8	09181-50027	SHIM (50X65X0.8)	1	
9-9	09181-50028	SHIM (50X65X0.85)	1	
9-10	09181-50029	SHIM (50X65X0.95)	1	
10-1	09181-45003	SHIM (45X56X1)	1	
10-2	09181-45004	SHIM (45X56X1.1)	1	
10-3	09181-45005	SHIM (45X56X1.2)	1	
10-4	09181-45006	SHIM (45X56X1.3)	1	
10-5	09181-45007	SHIM (45X56X1.4)	1	
10-6	09181-45008	SHIM (45X56X1.5)	1	
10-7	09181-45009	SHIM (45X56X1.6)	1	
11-1	09181-28015	SHIM (28X33.5X0.9)	1	
11-2	09181-28016	SHIM (28X33.5X1)	1	
11-3	09181-28017	SHIM (28X33.5X1.2)	1	
11-4	09181-28018	SHIM (28X33.5X1.3)	1	
11-5	09181-28019	SHIM (28X33.5X1.4)	1	
11-6	09181-28020	SHIM (28X33.5X1.6)	1	
12	57610-90J20	SHAFT ASSY, PROPELLER	1	
13	57621-92J10	SHIFTER, CLUTCH DOG	1	

FIG.59

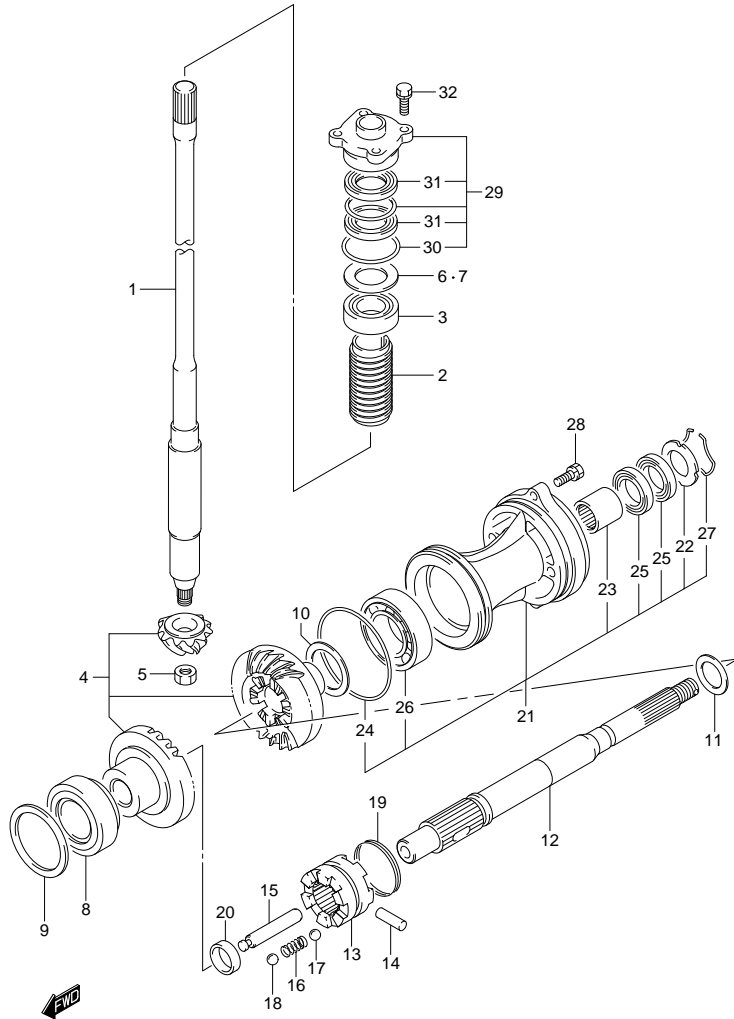


FIG. 59 (1-F-12) TRANSMISSION (DF100T E1)

REF NO.	PART NO.	DESCRIPTION	Q'TY	REMARKS
14	09202-07002	PIN	1	
15	57631-92J00	ROD, PUSH	1	
16	09440-09040	SPRING	1	
17	06111-07004	BALL	2	NO.1
18	06111-11004	BALL	2	NO.2
19	09440-49004	SPRING	1	
20	57616-90J00	SPACER	1	
21	56120-90J02-0EP	HOUSING, PROP SFT BRG (BLACK)	1	
22	56123-90J00	·WASHER, OIL SEAL PROTECTOR	1	
23	09263-28047	·BEARING (28X37X30)	1	
24	09280-97001	·O RING (D:3.5,ID:95)	1	
25	09282-28002	·OIL SEAL (28X50X6)	2	
26	08113-62090	·BEARING	1	
27	09387-52001	·CIRCLIP	1	
28	09117-08047	BOLT (8X30)	2	
29	56130-90J00	HOUSING	1	
30	09280-46004	·O RING (D:3.5,ID:45.7)	1	
31	09282-24004	·OIL SEAL (24X40X7)	2	
32	09117-08057	BOLT (8X25)	4	

FIG.60

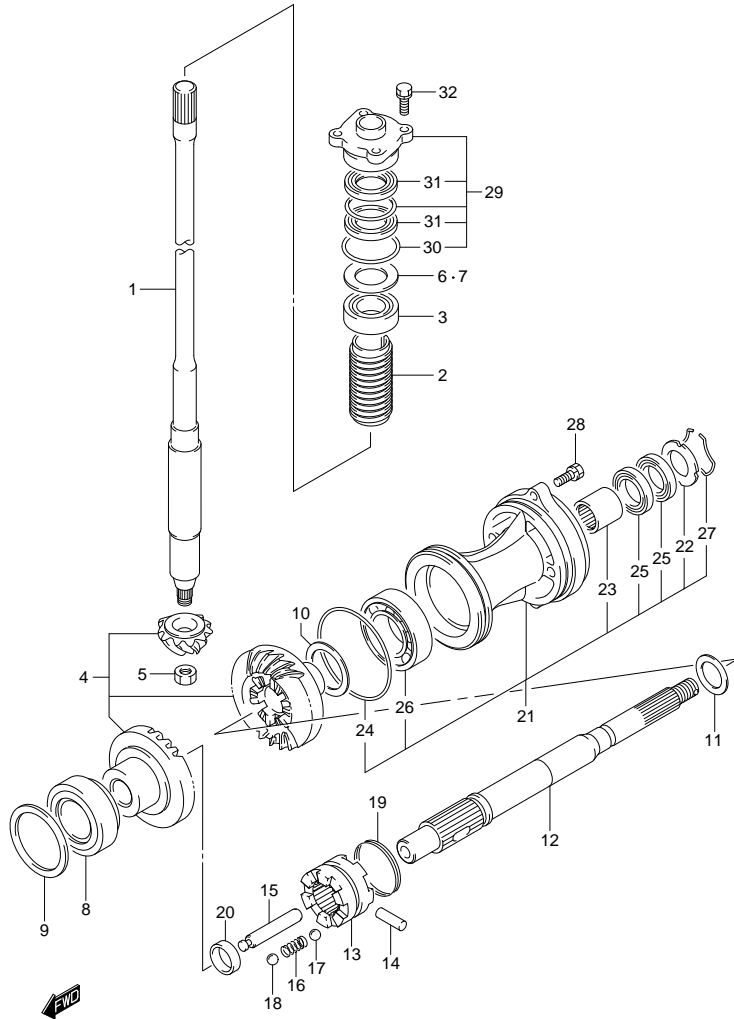


FIG. 60 (1-F-13) TRANSMISSION (DF100T E40)

REF NO.	PART NO.	DESCRIPTION	Q'TY	REMARKS
1-1	57110-92J41	SHAFT ASSY, DRIVE (L)	1	TRANSOM(L)
1-2	57110-92J51	SHAFT ASSY, DRIVE (X)	1	TRANSOM(X)
2	57133-90J01	COLLAR, DRIVE SHAFT	1	
3	09265-25040	BEARING (25X52X29.25)	1	
4	57300-90820	PINION/GEAR SET	1	
5	09140-14024	NUT	1	
6	57500-87873	SHIM SET, DRIVE SHAFT	1	
7-1	09181-40186	·SHIM (41X52X0.5)	1	
7-2	09181-41002	·SHIM (41X52X0.55)	1	
7-3	09181-41003	·SHIM (41X52X0.6)	1	
7-4	09181-41004	·SHIM (41X52X0.65)	1	
7-5	09181-41005	·SHIM (41X52X0.7)	1	
7-6	09181-41006	·SHIM (41X52X0.75)	1	
7-7	09181-40190	·SHIM (40X52X0.8)	1	
7-8	09181-41008	·SHIM (41X52X0.85)	1	
7-9	09181-41009	·SHIM (41X52X0.9)	1	
7-10	09181-41010	·SHIM (41X52X0.95)	1	
7-11	09181-40195	·SHIM (40X52X1)	1	
7-12	09181-41012	·SHIM (41X52X1.05)	1	
7-13	09181-41013	·SHIM (41X52X1.1)	1	
7-14	09181-41014	·SHIM (41X52X1.15)	1	

FIG.60

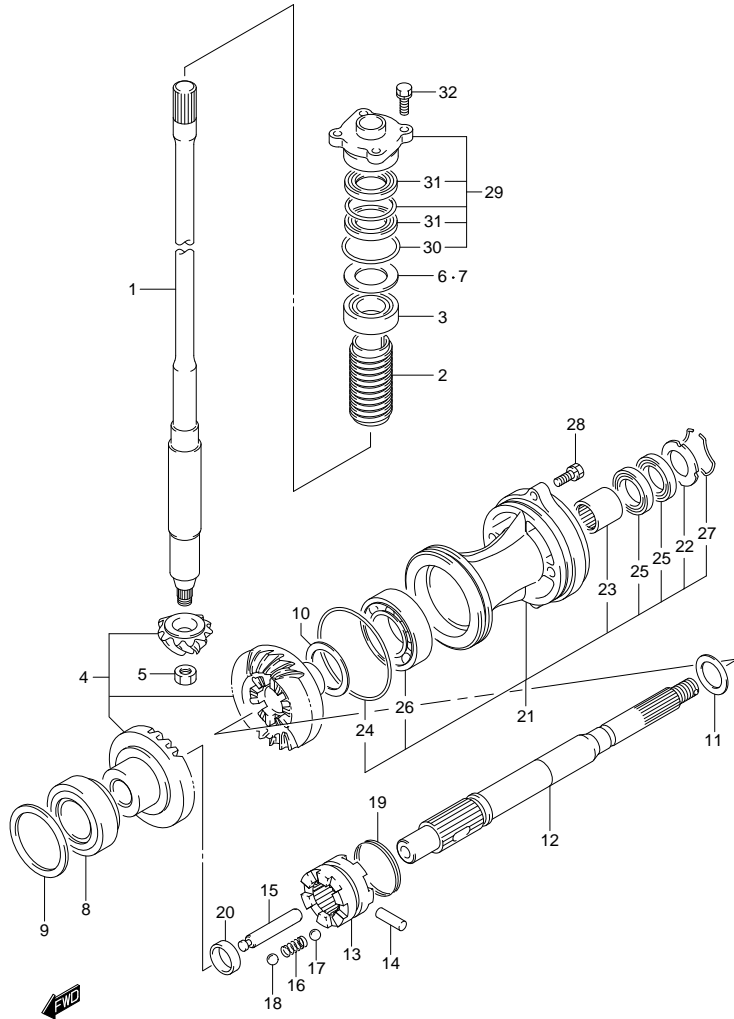


FIG. 60 (1-F-14) TRANSMISSION (DF100T F40)

REF NO.	PART NO.	DESCRIPTION	Q'TY	REMARKS
8	09265-50003	BEARING (50X85X26)	1	PART OF GEAR CASE
9-1	09181-50020	SHIM (50X65X0.45)	1	
9-2	09181-50021	SHIM (50X65X0.5)	1	
9-3	09181-50022	SHIM (50X65X0.55)	1	
9-4	09181-50023	SHIM (50X65X0.6)	1	
9-5	09181-50024	SHIM (50X65X0.65)	1	
9-6	09181-50025	SHIM (50X65X0.7)	1	
9-7	09181-50026	SHIM (50X65X0.75)	1	
9-8	09181-50027	SHIM (50X65X0.8)	1	
9-9	09181-50028	SHIM (50X65X0.85)	1	
9-10	09181-50029	SHIM (50X65X0.95)	1	
10-1	09181-45003	SHIM (45X56X1)	1	
10-2	09181-45004	SHIM (45X56X1.1)	1	
10-3	09181-45005	SHIM (45X56X1.2)	1	
10-4	09181-45006	SHIM (45X56X1.3)	1	
10-5	09181-45007	SHIM (45X56X1.4)	1	
10-6	09181-45008	SHIM (45X56X1.5)	1	
10-7	09181-45009	SHIM (45X56X1.6)	1	
11-1	09181-28015	SHIM (28X33.5X0.9)	1	
11-2	09181-28016	SHIM (28X33.5X1)	1	
11-3	09181-28017	SHIM (28X33.5X1.2)	1	
11-4	09181-28018	SHIM (28X33.5X1.3)	1	
11-5	09181-28019	SHIM (28X33.5X1.4)	1	
11-6	09181-28020	SHIM (28X33.5X1.6)	1	
12	57610-90J20	SHAFT ASSY, PROPELLER	1	
13	57621-92J10	SHIFTER, CLUTCH DOG	1	

FIG.60

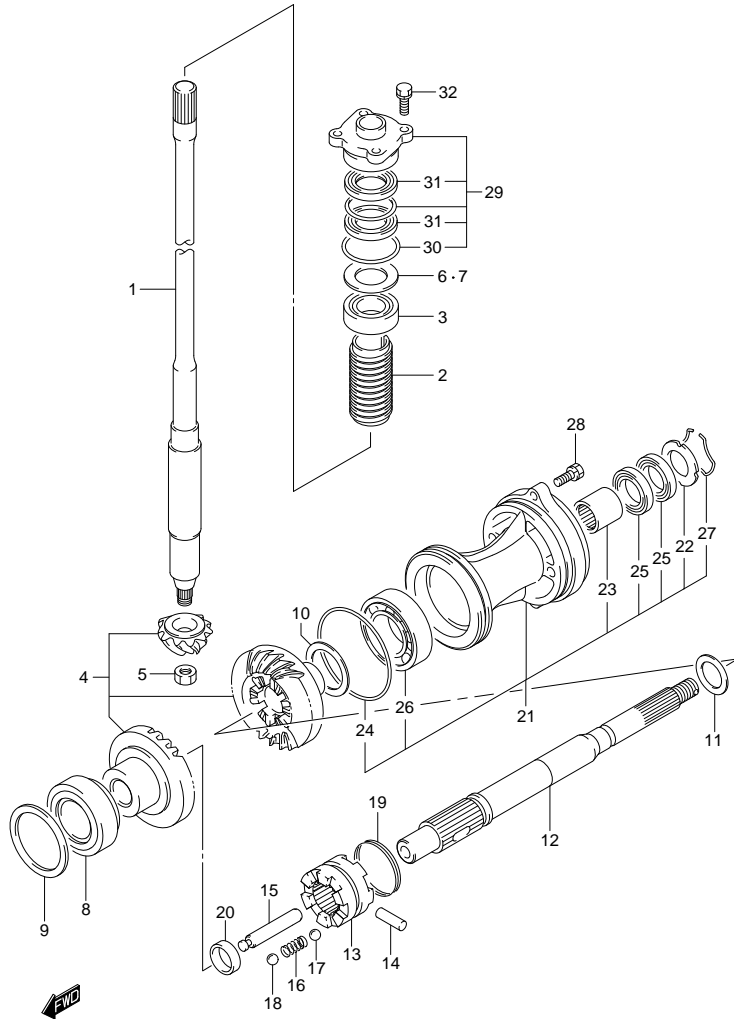


FIG. 60 (1-F-15) TRANSMISSION (DF100T F40)

REF NO.	PART NO.	DESCRIPTION	Q'TY	REMARKS
14	09202-07002	PIN	1	
15	57631-92J00	ROD, PUSH	1	
16	09440-09040	SPRING	1	
17	06111-07004	BALL	2	NO.1
18	06111-11004	BALL	2	NO.2
19	09440-49004	SPRING	1	
20	57616-90J00	SPACER	1	
21	56120-90J02-0EP	HOUSING, PROP SFT BRG (BLACK)	1	
22	56123-90J00	·WASHER, OIL SEAL PROTECTOR	1	
23	09263-28047	·BEARING (28X37X30)	1	
24	09280-97001	·O RING (D:3.5,ID:95)	1	
25	09282-28002	·OIL SEAL (28X50X6)	2	
26	08113-62090	·BEARING	1	
27	09387-52001	·CIRCLIP	1	
28	09117-08047	BOLT (8X30)	2	
29	56130-90J00	HOUSING	1	
30	09280-46004	·O RING (D:3.5,ID:45.7)	1	
31	09282-24004	·OIL SEAL (24X40X7)	2	
32	09117-08057	BOLT (8X25)	4	

FIG.61

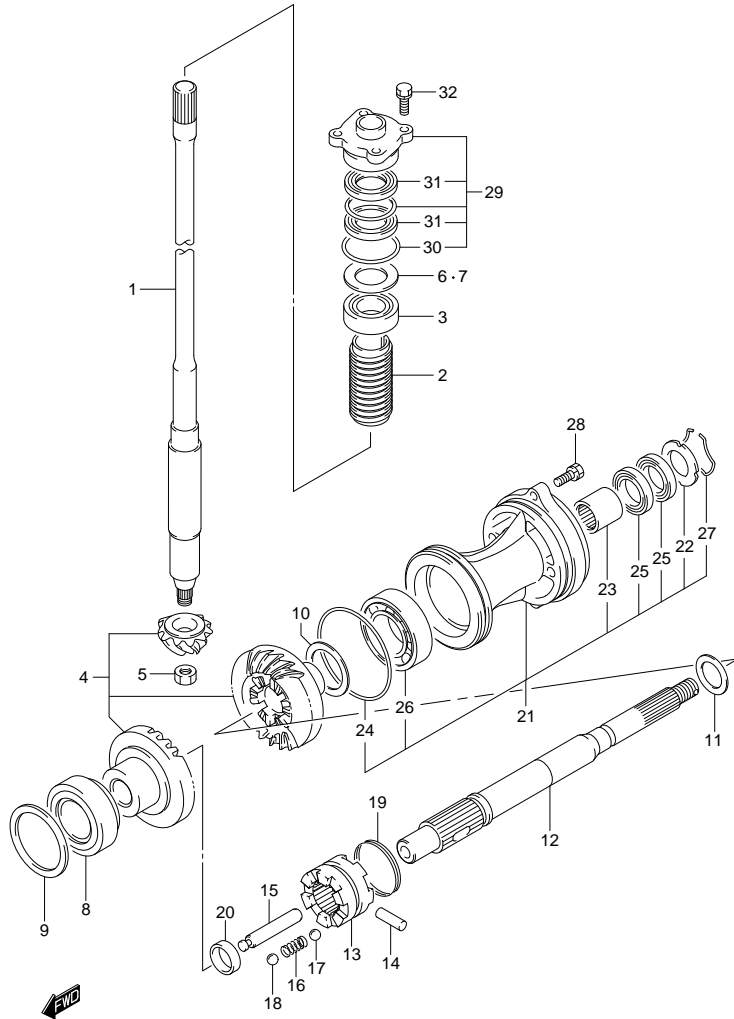


FIG. 61 (1-G-3) TRANSMISSION (DF115T E1)

REF NO.	PART NO.	DESCRIPTION	Q' TY	REMARKS
8	09265-50003	BEARING (50X85X26)	1	PART OF GEAR CASE
9-1	09181-50020	SHIM (50X65X0.45)	1	
9-2	09181-50021	SHIM (50X65X0.5)	1	
9-3	09181-50022	SHIM (50X65X0.55)	1	
9-4	09181-50023	SHIM (50X65X0.6)	1	
9-5	09181-50024	SHIM (50X65X0.65)	1	
9-6	09181-50025	SHIM (50X65X0.7)	1	
9-7	09181-50026	SHIM (50X65X0.75)	1	
9-8	09181-50027	SHIM (50X65X0.8)	1	
9-9	09181-50028	SHIM (50X65X0.85)	1	
9-10	09181-50029	SHIM (50X65X0.95)	1	
10-1	09181-45003	SHIM (45X56X1)	1	
10-2	09181-45004	SHIM (45X56X1.1)	1	
10-3	09181-45005	SHIM (45X56X1.2)	1	
10-4	09181-45006	SHIM (45X56X1.3)	1	
10-5	09181-45007	SHIM (45X56X1.4)	1	
10-6	09181-45008	SHIM (45X56X1.5)	1	
10-7	09181-45009	SHIM (45X56X1.6)	1	
11-1	09181-28015	SHIM (28X33.5X0.9)	1	
11-2	09181-28016	SHIM (28X33.5X1)	1	
11-3	09181-28017	SHIM (28X33.5X1.2)	1	
11-4	09181-28018	SHIM (28X33.5X1.3)	1	
11-5	09181-28019	SHIM (28X33.5X1.4)	1	
11-6	09181-28020	SHIM (28X33.5X1.6)	1	
12	57610-90J20	SHAFT ASSY, PROPELLER	1	
13	57621-92J10	SHIFTER, CLUTCH DOG	1	

FIG.61

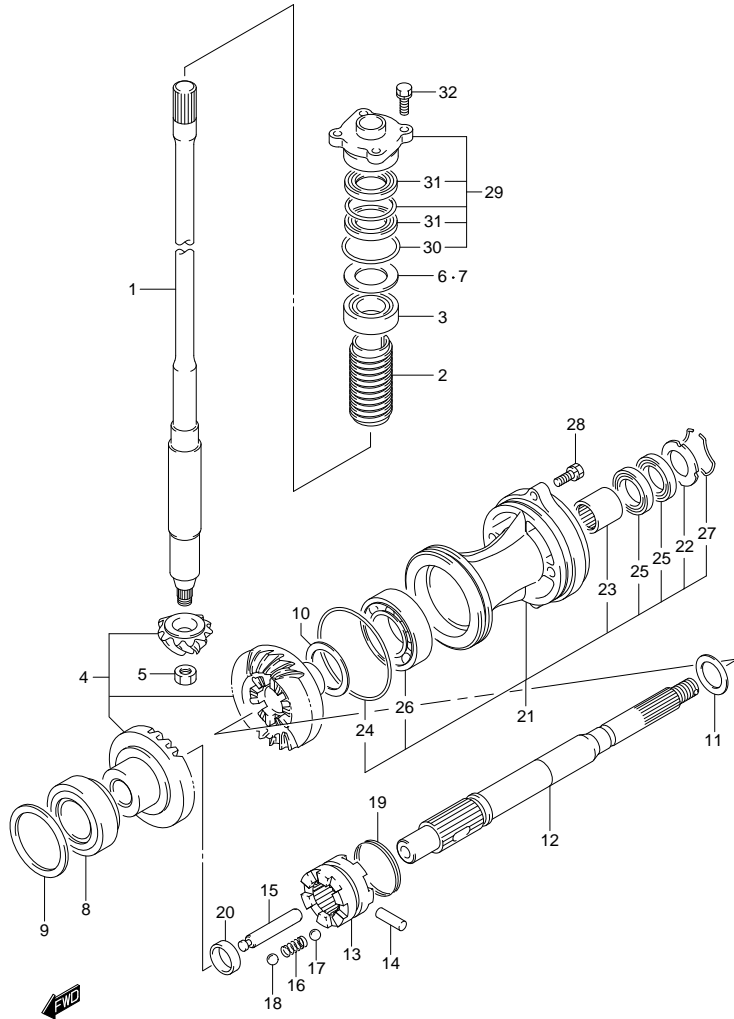


FIG. 61 (1-G-4) TRANSMISSION (DF115T E1)

REF NO.	PART NO.	DESCRIPTION	Q'TY	REMARKS
14	09202-07002	PIN	1	
15	57631-92J00	ROD, PUSH	1	
16	09440-09040	SPRING	1	
17	06111-07004	BALL	2	NO.1
18	06111-11004	BALL	2	NO.2
19	09440-49004	SPRING	1	
20	57616-90J00	SPACER	1	
21	56120-90J02-0EP	HOUSING, PROP SFT BRG (BLACK)	1	
22	56123-90J00	·WASHER, OIL SEAL PROTECTOR	1	
23	09263-28047	·BEARING (28X37X30)	1	
24	09280-97001	·O RING (D:3.5,ID:95)	1	
25	09282-28002	·OIL SEAL (28X50X6)	2	
26	08113-62090	·BEARING	1	
27	09387-52001	·CIRCLIP	1	
28	09117-08047	BOLT (8X30)	2	
29	56130-90J00	HOUSING	1	
30	09280-46004	·O RING (D:3.5,ID:45.7)	1	
31	09282-24004	·OIL SEAL (24X40X7)	2	
32	09117-08057	BOLT (8X25)	4	

FIG.62

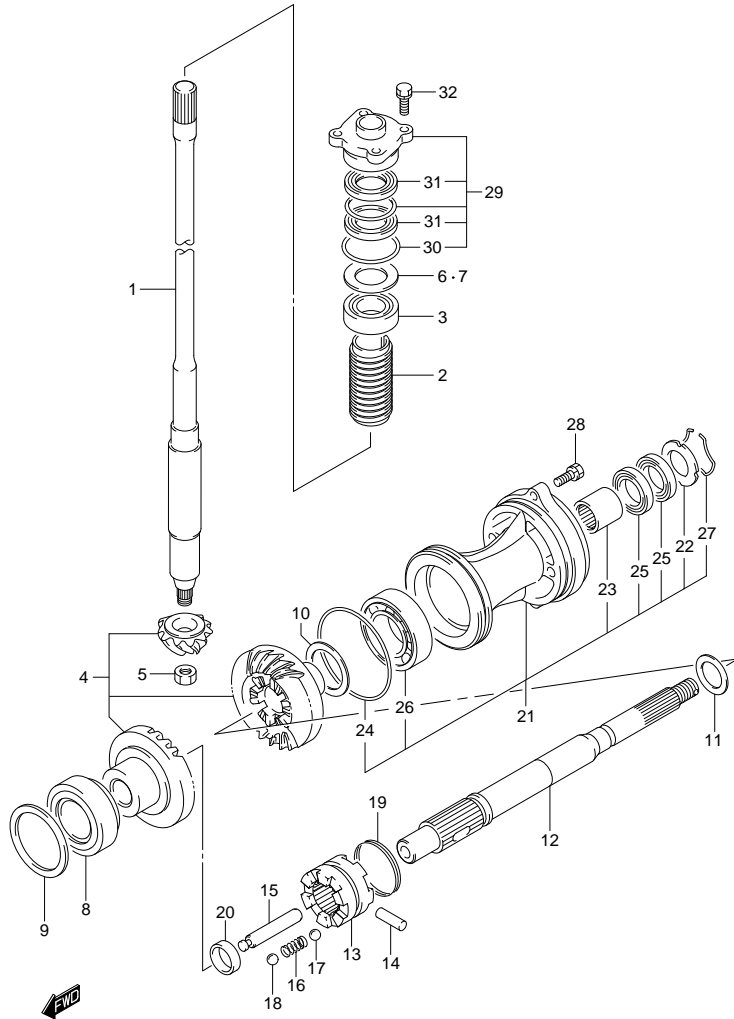


FIG. 62 (1-G-6) TRANSMISSION (DF115T E40)

REF NO.	PART NO.	DESCRIPTION	Q'TY	REMARKS
8	09265-50003	BEARING (50X85X26)	1	PART OF GEAR CASE
9-1	09181-50020	SHIM (50X65X0.45)	1	
9-2	09181-50021	SHIM (50X65X0.5)	1	
9-3	09181-50022	SHIM (50X65X0.55)	1	
9-4	09181-50023	SHIM (50X65X0.6)	1	
9-5	09181-50024	SHIM (50X65X0.65)	1	
9-6	09181-50025	SHIM (50X65X0.7)	1	
9-7	09181-50026	SHIM (50X65X0.75)	1	
9-8	09181-50027	SHIM (50X65X0.8)	1	
9-9	09181-50028	SHIM (50X65X0.85)	1	
9-10	09181-50029	SHIM (50X65X0.95)	1	
10-1	09181-45003	SHIM (45X56X1)	1	
10-2	09181-45004	SHIM (45X56X1.1)	1	
10-3	09181-45005	SHIM (45X56X1.2)	1	
10-4	09181-45006	SHIM (45X56X1.3)	1	
10-5	09181-45007	SHIM (45X56X1.4)	1	
10-6	09181-45008	SHIM (45X56X1.5)	1	
10-7	09181-45009	SHIM (45X56X1.6)	1	
11-1	09181-28015	SHIM (28X33.5X0.9)	1	
11-2	09181-28016	SHIM (28X33.5X1)	1	
11-3	09181-28017	SHIM (28X33.5X1.2)	1	
11-4	09181-28018	SHIM (28X33.5X1.3)	1	
11-5	09181-28019	SHIM (28X33.5X1.4)	1	
11-6	09181-28020	SHIM (28X33.5X1.6)	1	
12	57610-90J20	SHAFT ASSY, PROPELLER	1	
13	57621-92J10	SHIFTER, CLUTCH DOG	1	

FIG.62

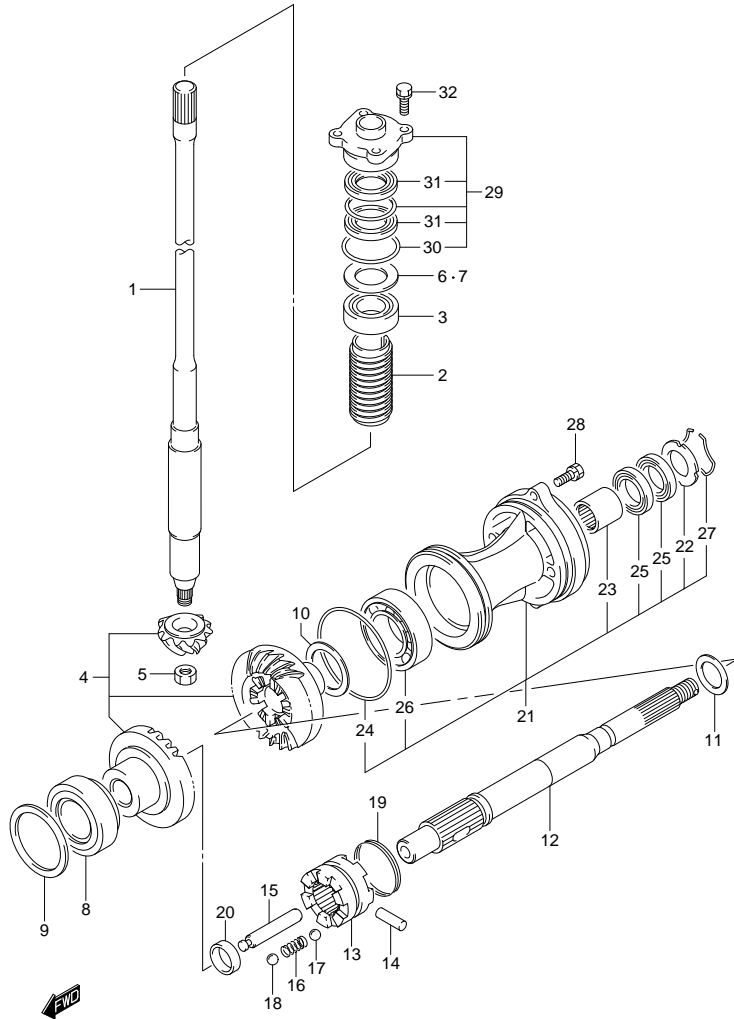
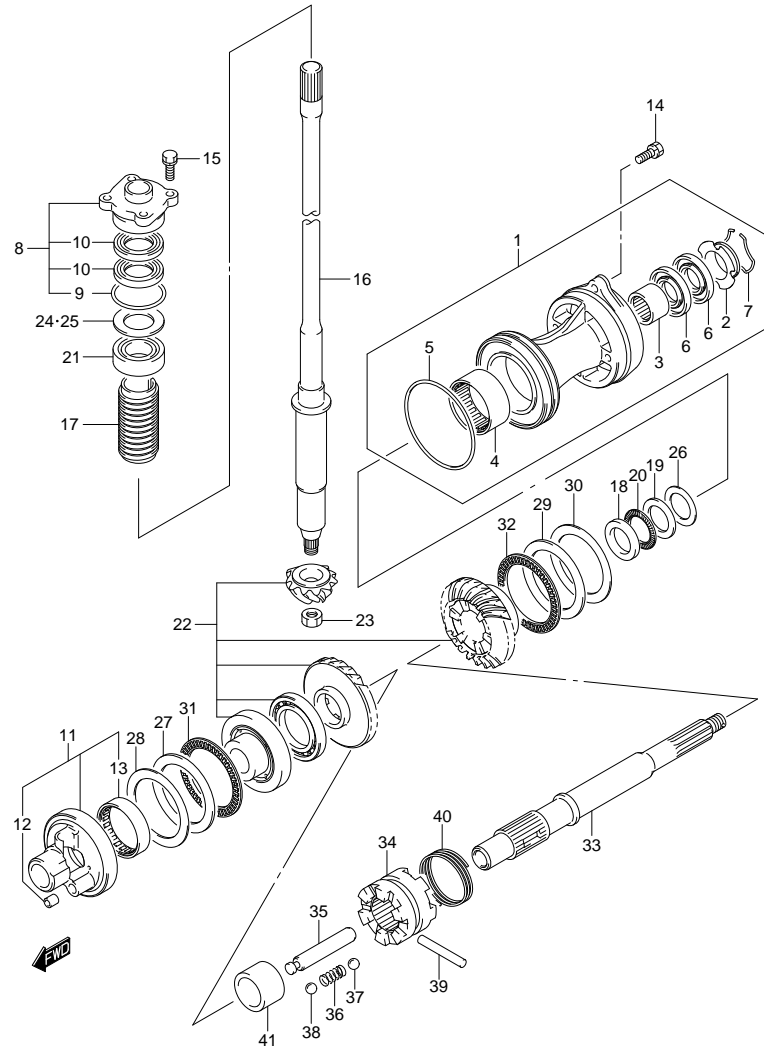


FIG. 62 (1-G-7) TRANSMISSION (DF115T E40)

REF NO.	PART NO.	DESCRIPTION	Q'TY	REMARKS
14	09202-07002	PIN	1	
15	57631-92J00	ROD, PUSH	1	
16	09440-09040	SPRING	1	
17	06111-07004	BALL	2	NO.1
18	06111-11004	BALL	2	NO.2
19	09440-49004	SPRING	1	
20	57616-90J00	SPACER	1	
21	56120-90J02-0EP	HOUSING, PROP SFT BRG (BLACK)	1	
22	56123-90J00	·WASHER, OIL SEAL PROTECTOR	1	
23	09263-28047	·BEARING (28X37X30)	1	
24	09280-97001	·O RING (D:3.5,ID:95)	1	
25	09282-28002	·OIL SEAL (28X50X6)	2	
26	08113-62090	·BEARING	1	
27	09387-52001	·CIRCLIP	1	
28	09117-08047	BOLT (8X30)	2	
29	56130-90J00	HOUSING	1	
30	09280-46004	·O RING (D:3.5,ID:45.7)	1	
31	09282-24004	·OIL SEAL (24X40X7)	2	
32	09117-08057	BOLT (8X25)	4	

FIG.63



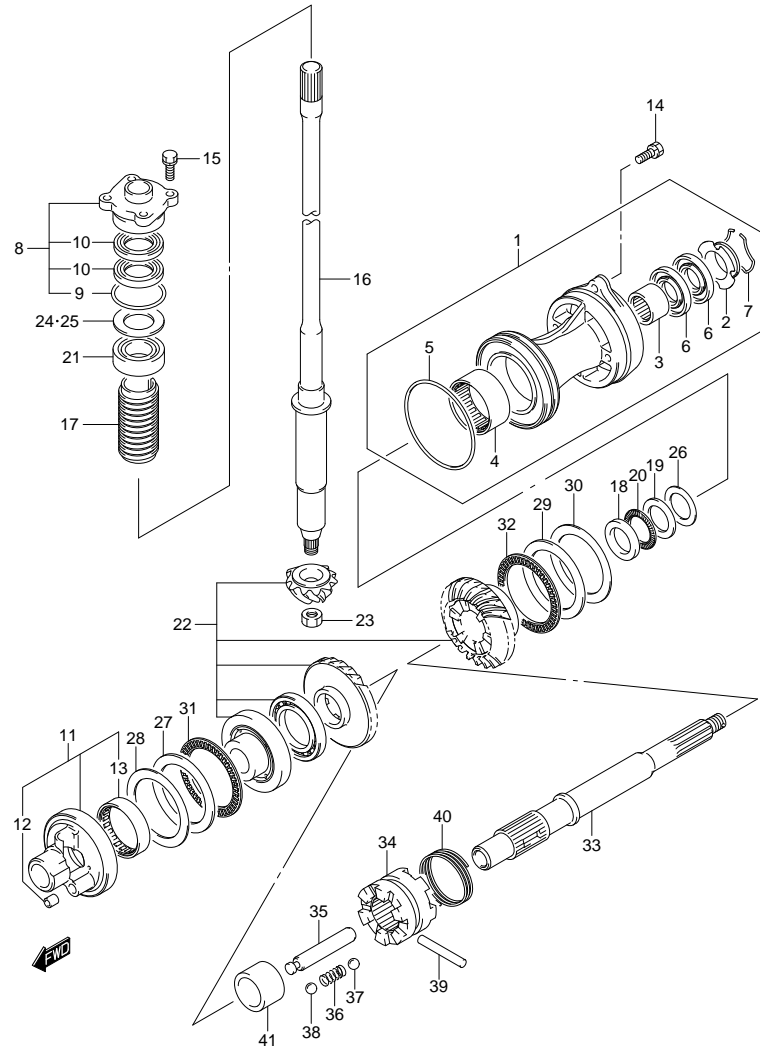
DF100 115 E01 012_063
TRANSMISSION

FIG. 63 (1-G-8) TRANSMISSION (DF115Z E1)

REF NO.	PART NO.	DESCRIPTION	Q'TY	REMARKS
1	56120-92J12-0EP	HOUSING, PROP SFT BRG (BLACK)	1	
2	56123-92J00	·WASHER, OIL SEAL PROTECTOR	1	
3	09263-30051	·BEARING (30X37X26)	1	
4	09263-50001	·BEARING (50X62X25)	1	
5	09280-97001	·O RING (D:3.5,ID:95)	1	
6	09282-30007	·OIL SEAL (30X50X6)	2	
7	09387-52001	·CIRCLIP	1	
8	56130-90J00	HOUSING, DRIVE SHAFT BRG	1	
9	09280-46004	·O RING (D:3.5,ID:45.7)	1	
10	09282-24004	·OIL SEAL (24X40X7)	2	
11	56140-92J30	HOUSING, REV GEAR BRG	1	
12	09206-09012	·PIN	1	
13	09263-45004	·BEARING (45X52X16)	1	
14	09117-08047	BOLT (8X30)	2	
15	09117-08057	BOLT (8X25)	4	
16-1	57110-92J41	SHAFT, DRIVE (L)	1	TRANSOM(L)
16-2	57110-92J51	SHAFT, DRIVE (X)	1	TRANSOM(X)
17	57133-90J01	COLLAR, DRIVE SHAFT	1	
18	09160-30055	WASHER (30X47X6)	1	PROP SAFT REV
19	09160-30056	WASHER (32X47X3)	1	PROP SAFT REV
20	09269-30014	BEARING (30X47X2)	1	PROP SAFT REV
21	09265-25040	BEARING (25X52X29.25)	1	
22	57300-92850	PINION/GEAR SET	1	
23	09140-14024	NUT	1	

DF100/115 E01 012

FIG.63

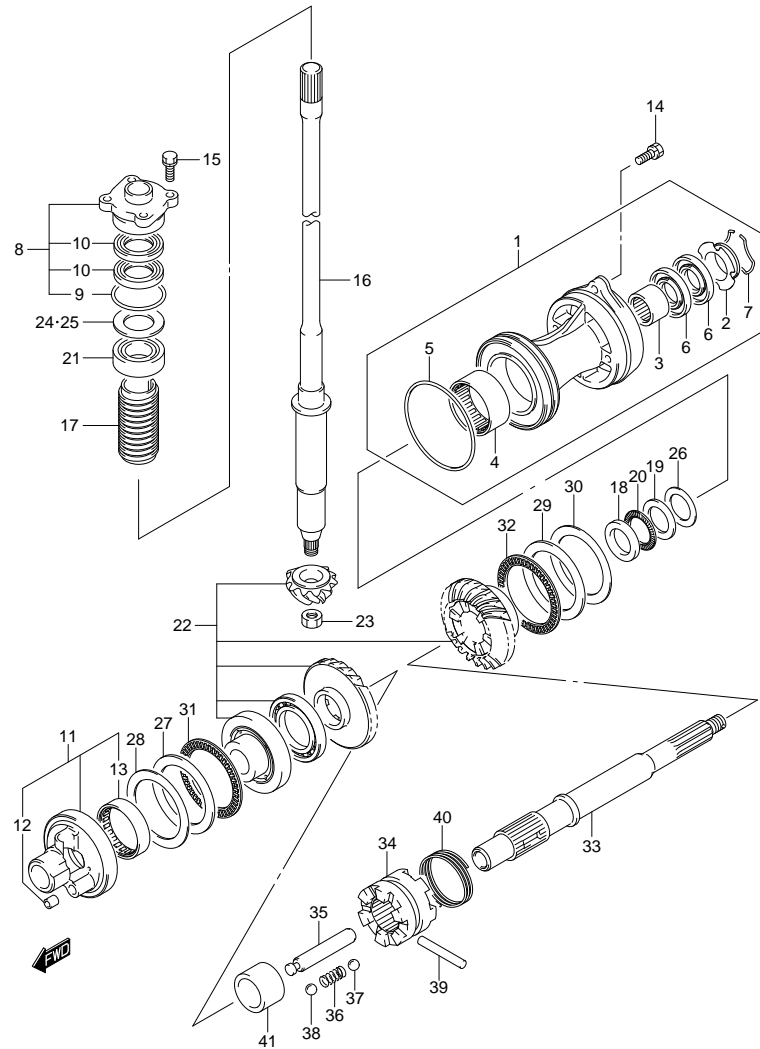


DF100 115 E01 012_063
TRANSMISSION

FIG.63 (1-G-9) TRANSMISSION (DF115Z E1)

REF NO.	PART NO.	DESCRIPTION	Q' TY	REMARKS
24	57500-87873	SHIM SET, DRIVE SHAFT	1	
25-1	09181-40186	·SHIM (41X52X0.5)	1	
25-2	09181-41002	·SHIM (41X52X0.55)	1	
25-3	09181-41003	·SHIM (41X52X0.6)	1	
25-4	09181-41004	·SHIM (41X52X0.65)	1	
25-5	09181-41005	·SHIM (41X52X0.7)	1	
25-6	09181-41006	·SHIM (41X52X0.75)	1	
25-7	09181-40190	·SHIM (40X52X0.8)	1	
25-8	09181-41008	·SHIM (41X52X0.85)	1	
25-9	09181-41009	·SHIM (41X52X0.9)	1	
25-10	09181-41010	·SHIM (41X52X0.95)	1	
25-11	09181-40195	·SHIM (40X52X1)	1	
25-12	09181-41012	·SHIM (41X52X1.05)	1	
25-13	09181-41013	·SHIM (41X52X1.1)	1	
25-14	09181-41014	·SHIM (41X52X1.15)	1	
26-1	09160-35015	WASHER (35X46X0.6)	1	PROP SAFT REV
26-2	09160-35014	WASHER (35X46X0.7)	1	
26-3	09160-35013	WASHER (35X46X0.8)	1	
26-4	09160-35006	WASHER (35X46X0.9)	1	
26-5	09160-35008	WASHER (35X46X0.95)	1	
26-6	09160-35002	WASHER (35X46X1)	1	
26-7	09160-35009	WASHER (35X46X1.05)	1	
26-8	09160-35003	WASHER (35X46X1.1)	1	
26-9	09160-35010	WASHER (35X46X1.15)	1	
27	09160-60011	WASHER (60X85X3)	1	REV GEAR
28-1	09160-60008	WASHER (60X85X0.8)	1	
28-2	09160-60009	WASHER (60X85X0.9)	1	
28-3	09160-60003	WASHER (60X85X1)	1	
28-4	09160-60004	WASHER (60X85X1.1)	1	
28-5	09160-60005	WASHER (60X85X1.2)	1	
28-6	09160-60006	WASHER (60X85X1.3)	1	
28-7	09160-60007	WASHER (60X85X1.4)	1	
29	09160-70005	WASHER (70X95X2)	1	

FIG.63



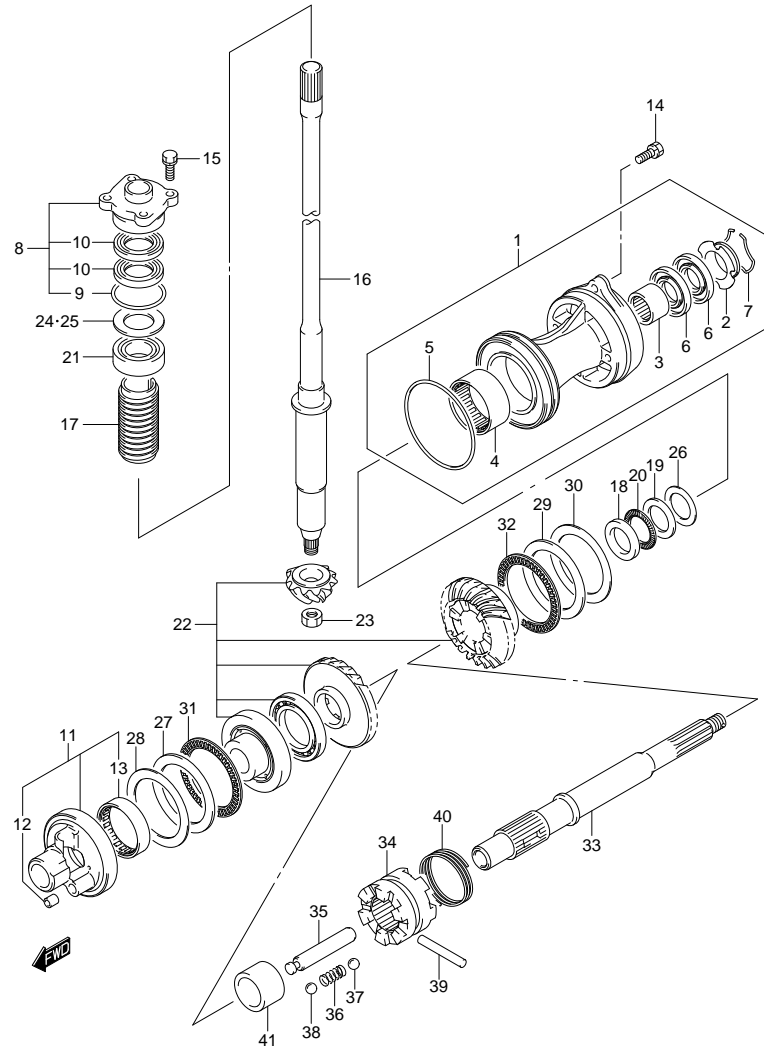
DF100 115 E01 012_063
TRANSMISSION

FIG. 63 (1-G-10) TRANSMISSION (DF115Z E1)

REF NO.	PART NO.	DESCRIPTION	Q' TY	REMARKS
30-1	09181-70006	SHIM (70X95X0.6)	1	
30-2	09181-70009	SHIM (70X95X0.65)	1	
30-3	09181-70001	SHIM (70X95X0.7)	1	
30-4	09181-70010	SHIM (70X95X0.75)	1	
30-5	09181-70002	SHIM (70X95X0.8)	1	
30-6	09181-70011	SHIM (70X95X0.85)	1	
30-7	09181-70003	SHIM (70X95X0.9)	1	
30-8	09181-70012	SHIM (70X95X0.95)	1	
30-9	09181-70004	SHIM (70X95X1)	1	
31	09269-60001	BEARING (60X85X3)	1	REV
32	09269-70001	BEARING (70X95X4)	1	FWD
33	57610-92J31	SHAFT, PROPELLER	1	
34	57621-92J10	SHIFTER, CLUTCH DOG	1	
35	57631-92J00	PIN, CONNECTOR	1	
36	09440-09040	SPRING	1	
37	06111-07004	BALL	2	NO.1
38	06111-11004	BALL	2	NO.2
39	09202-07002	PIN	1	
40	09440-49004	SPRING	1	
41	57616-92J00	SPACER, CLUTCH DOG FWD	1	

DF100/115 E01 012

FIG.64



DF100 115 E01 012_064
TRANSMISSION

FIG. 64 (1-G-11) TRANSMISSION (DF115Z F40)

REF NO.	PART NO.	DESCRIPTION	Q'TY	REMARKS
1	56120-92J12-0EP	HOUSING, PROP SFT BRG (BLACK)	1	
2	56123-92J00	·WASHER, OIL SEAL PROTECTOR	1	
3	09263-30051	·BEARING (30X37X26)	1	
4	09263-50001	·BEARING (50X62X25)	1	
5	09280-97001	·O RING (D:3.5,ID:95)	1	
6	09282-30007	·OIL SEAL (30X50X6)	2	
7	09387-52001	·CIRCLIP	1	
8	56130-90J00	HOUSING, DRIVE SHAFT BRG	1	
9	09280-46004	·O RING (D:3.5,ID:45.7)	1	
10	09282-24004	·OIL SEAL (24X40X7)	2	
11	56140-92J30	HOUSING, REV GEAR BRG	1	
12	09206-09012	·PIN	1	
13	09263-45004	·BEARING (45X52X16)	1	
14	09117-08047	BOLT (8X30)	2	
15	09117-08057	BOLT (8X25)	4	
16-1	57110-92J41	SHAFT, DRIVE (L)	1	TRANSOM(L)
16-2	57110-92J51	SHAFT, DRIVE (X)	1	TRANSOM(X)
17	57133-90J01	COLLAR, DRIVE SHAFT	1	
18	09160-30055	WASHER (30X47X6)	1	PROP SAFT REV
19	09160-30056	WASHER (32X47X3)	1	PROP SAFT REV
20	09269-30014	BEARING (30X47X2)	1	PROP SAFT REV
21	09265-25040	BEARING (25X52X29.25)	1	
22	57300-92850	PINION/GEAR SET	1	
23	09140-14024	NUT	1	

DF100/115 E01 012

FIG.64

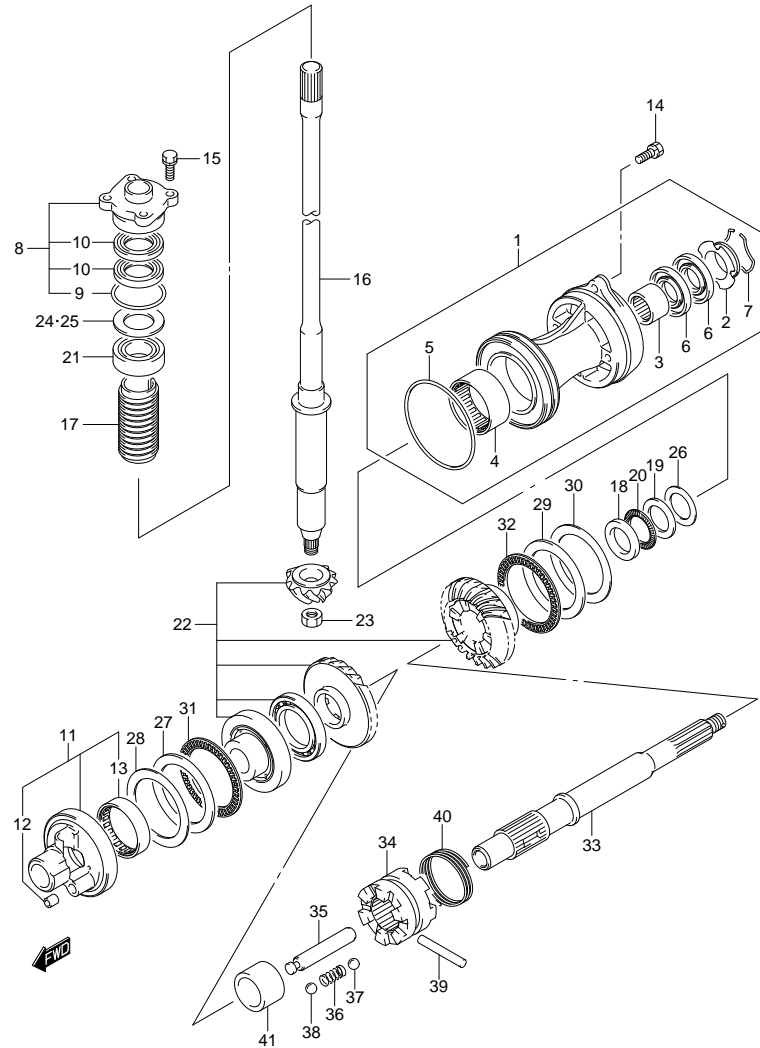


FIG. 64 (1-G-12) TRANSMISSION (DF115Z F40)

REF NO.	PART NO.	DESCRIPTION	Q' TY	REMARKS
24	57500-87873	SHIM SET, DRIVE SHAFT	1	
25-1	09181-40186	·SHIM (41X52X0.5)	1	
25-2	09181-41002	·SHIM (41X52X0.55)	1	
25-3	09181-41003	·SHIM (41X52X0.6)	1	
25-4	09181-41004	·SHIM (41X52X0.65)	1	
25-5	09181-41005	·SHIM (41X52X0.7)	1	
25-6	09181-41006	·SHIM (41X52X0.75)	1	
25-7	09181-40190	·SHIM (40X52X0.8)	1	
25-8	09181-41008	·SHIM (41X52X0.85)	1	
25-9	09181-41009	·SHIM (41X52X0.9)	1	
25-10	09181-41010	·SHIM (41X52X0.95)	1	
25-11	09181-40195	·SHIM (40X52X1)	1	
25-12	09181-41012	·SHIM (41X52X1.05)	1	
25-13	09181-41013	·SHIM (41X52X1.1)	1	
25-14	09181-41014	·SHIM (41X52X1.15)	1	
26-1	09160-35015	WASHER (35X46X0.6)	1	PROP SAFT REV
26-2	09160-35014	WASHER (35X46X0.7)	1	
26-3	09160-35013	WASHER (35X46X0.8)	1	
26-4	09160-35006	WASHER (35X46X0.9)	1	
26-5	09160-35008	WASHER (35X46X0.95)	1	
26-6	09160-35002	WASHER (35X46X1)	1	
26-7	09160-35009	WASHER (35X46X1.05)	1	
26-8	09160-35003	WASHER (35X46X1.1)	1	
26-9	09160-35010	WASHER (35X46X1.15)	1	
27	09160-60011	WASHER (60X85X3)	1	REV GEAR
28-1	09160-60008	WASHER (60X85X0.8)	1	
28-2	09160-60009	WASHER (60X85X0.9)	1	
28-3	09160-60003	WASHER (60X85X1)	1	
28-4	09160-60004	WASHER (60X85X1.1)	1	
28-5	09160-60005	WASHER (60X85X1.2)	1	
28-6	09160-60006	WASHER (60X85X1.3)	1	
28-7	09160-60007	WASHER (60X85X1.4)	1	
29	09160-70005	WASHER (70X95X2)	1	

FIG.64

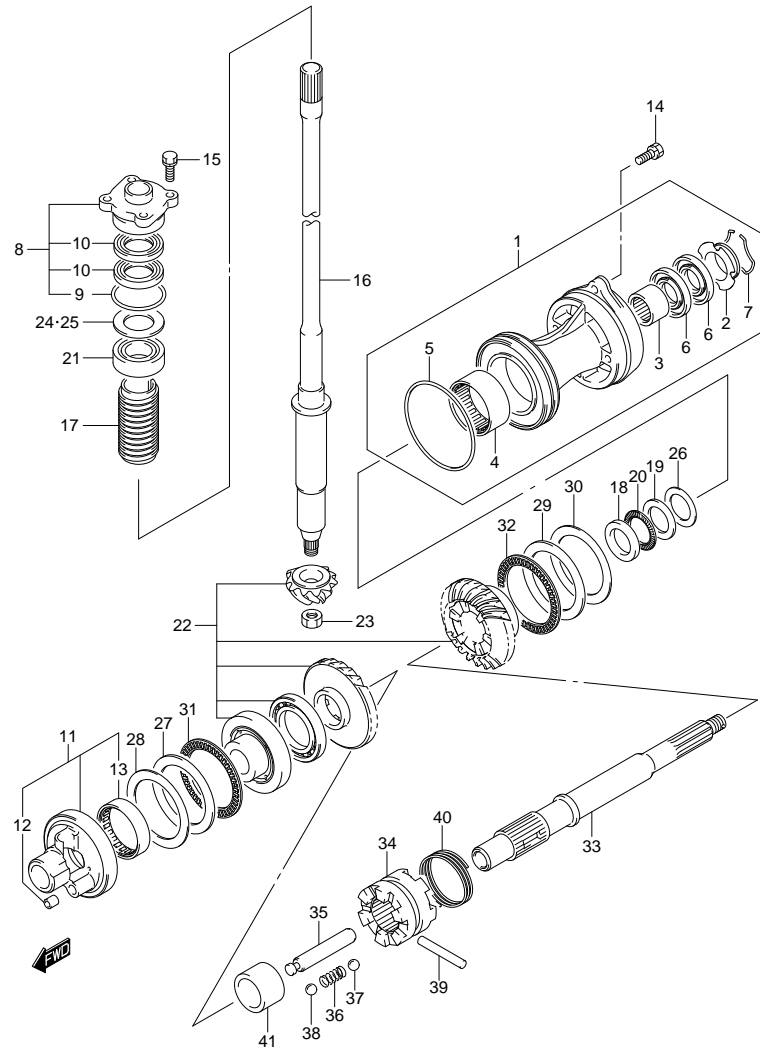


FIG. 64 (1-G-13) TRANSMISSION (DF115Z F40)

REF NO.	PART NO.	DESCRIPTION	Q'TY	REMARKS
30-1	09181-70006	SHIM (70X95X0.6)	1	
30-2	09181-70009	SHIM (70X95X0.65)	1	
30-3	09181-70001	SHIM (70X95X0.7)	1	
30-4	09181-70010	SHIM (70X95X0.75)	1	
30-5	09181-70002	SHIM (70X95X0.8)	1	
30-6	09181-70011	SHIM (70X95X0.85)	1	
30-7	09181-70003	SHIM (70X95X0.9)	1	
30-8	09181-70012	SHIM (70X95X0.95)	1	
30-9	09181-70004	SHIM (70X95X1)	1	
31	09269-60001	BEARING (60X85X3)	1	REV
32	09269-70001	BEARING (70X95X4)	1	FWD
33	57610-92J31	SHAFT, PROPELLER	1	
34	57621-92J10	SHIFTER, CLUTCH DOG	1	
35	57631-92J00	PIN, CONNECTOR	1	
36	09440-09040	SPRING	1	
37	06111-07004	BALL	2	NO.1
38	06111-11004	BALL	2	NO.2
39	09202-07002	PIN	1	
40	09440-49004	SPRING	1	
41	57616-92J00	SPACER, CLUTCH DOG FWD	1	

FIG.65

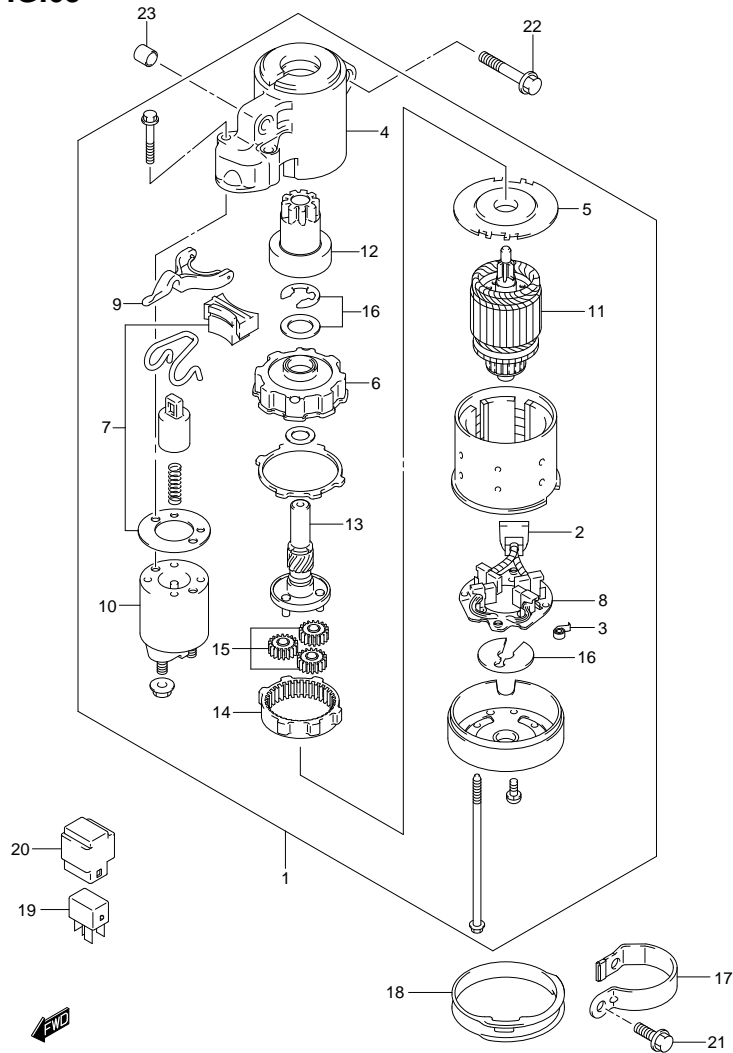


FIG. 65 (1-G-14) STARTING MOTOR

REF NO.	PART NO.	DESCRIPTION	QTY	REMARKS
1	31100-90J01	STARTING MOTOR	1	
2	31131-90J01	·BRUSH SET, PLUS	1	
3	31135-90J00	·SPRING	4	
4	31151-90J00	·CASE, GEAR	1	
5	31152-90J00	·PLATE, CENTER	1	
6	31153-90J00	·BRACKET, PLANET GEAR	1	
7	31171-90J00	·COVER KIT, DUST	1	
8	31173-90J01	·HOLDER, BRUSH	1	
9	31191-90J00	·LEVER, SHIFT	1	
10	31220-90J00	·SWITCH, MAGNET	1	
11	31310-90J00	·ARMATURE	1	
12	31320-90J00	·PINION	1	
13	31341-90J00	·SHAFT, PINION	1	
14	31343-90J00	·INTERNAL GEAR	1	
15	31344-90J00	·GEAR, PLANETARY	3	
16	31360-90J00	·WASHER SET	1	
17	31912-90J00	BAND, STARTING MOTOR	1	
18	31918-90J10	DAMPER, LOWER	1	
19	38860-76F01	RELAY, STARTING MOTOR	1	
20	38915-90J00	HOLDER, RELAY	1	
21	01550-08207	BOLT	2	
22	01550-10507	BOLT	2	
23	04211-13149	PIN	2	

FIG.66

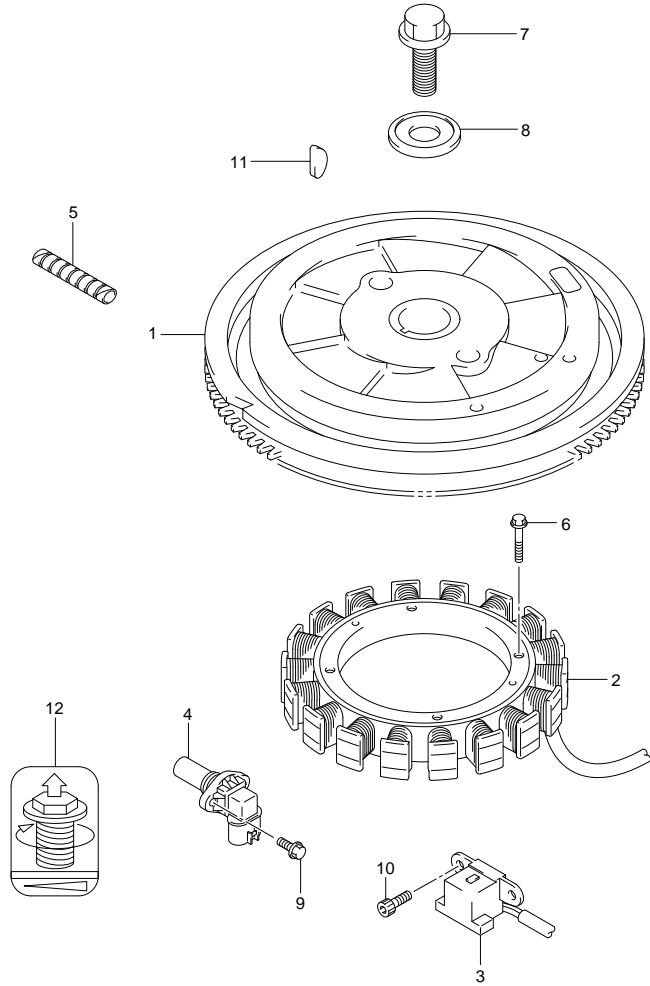


FIG. 66 (1-G-15) MAGNETO

REF NO.	PART NO.	DESCRIPTION	Q' TY	REMARKS
1	32102-92J10	FLYWHEEL	1	N/ROPE HOOK
2	32120-90J20	COIL, BATTERY CHARGING	1	
3	32160-87L00	COIL, IGNITION TIMING	1	
4	33220-76G02	SENSOR, CAM POSITION	1	
5	33833-91J00	TUBE	1	L:250→100
6	09103-06231	BOLT (6X35)	4	
7	09103-16004	BOLT (16X50)	1	
8	09160-16048	WASHER (16.5X60X7)	1	
9	01547-06167	BOLT	1	
10	09106-05030	BOLT (5X10)	2	
11	08341-31059	KEY	1	
12	32118-90J00	LABEL, MAG BOLT	1	

FIG.67

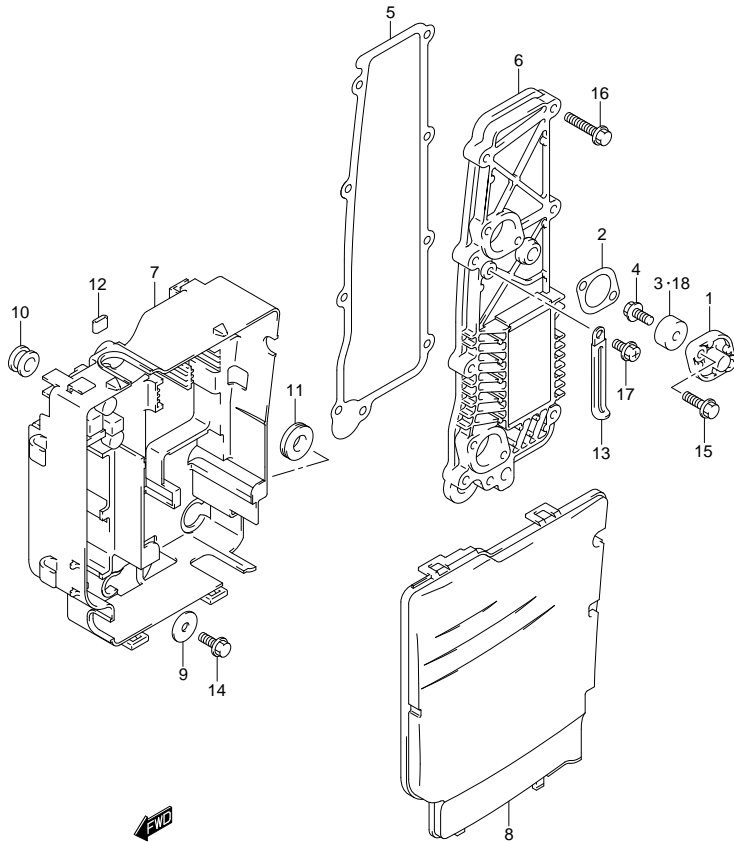


FIG. 67 (1-H-2) RECTIFIER

REF NO.	PART NO.	DESCRIPTION	Q' TY	REMARKS
1	11261-87E10	COVER, PROTECTION ANODE	2	
2	11265-87E10	GASKET, PROTECTION COVER	2	
3	55321-87J00	ANODE, PROTECTION	2	
4	09103-06281	BOLT (6X14)	2	
5	14151-90J00	GASKET, RECTIFIER	1	
6	32800-90J30	RECTIFIER	1	
7	32890-90J01	HOLDER, ELECTRIC PARTS	1	
8	32891-90J00	COVER, ELECTRIC PARTS HOLDER	1	
9	09160-06054	WASHER (6.5X22X1.6)	1	
10	09320-10008	CUSHION	2	
11	09320-12011	CUSHION	1	
12	09329-01007	CUSHION	1	
13	29404-93J10	CLAMP	1	
14	01550-06167	BOLT	1	
15	01550-06207	BOLT	4	
16	01550-06307	BOLT	9	
17	02162-06127	BOLT	1	
18	55321-87J10	ANODE (MAGNESIUM)	1	OPT

FIG.68

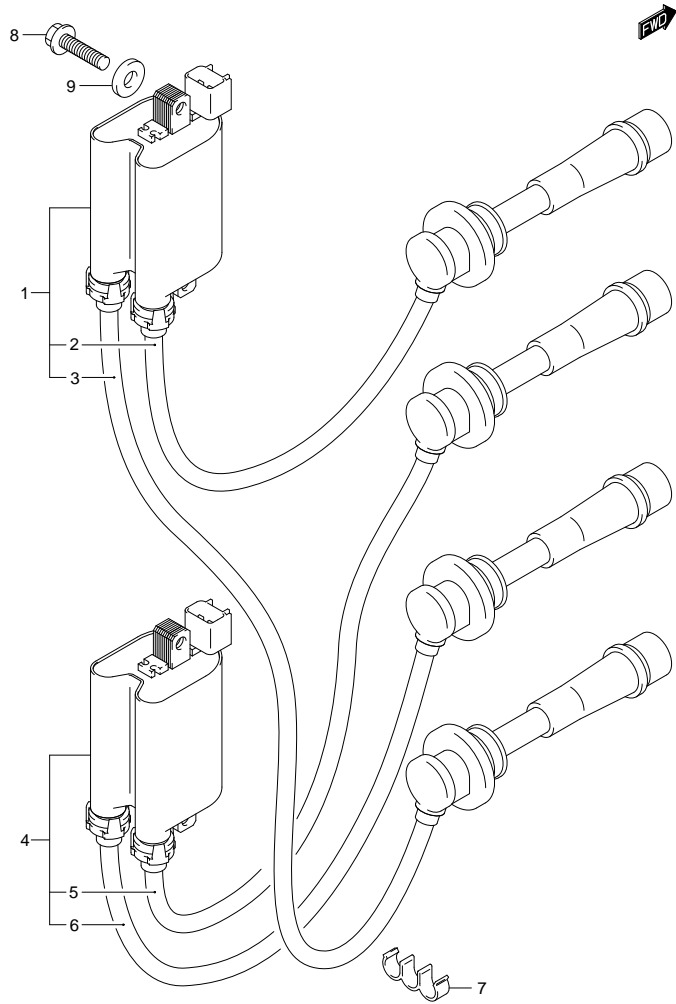


FIG. 68 (1-H-3) IGNITION COIL

REF NO.	PART NO.	DESCRIPTION	Q' TY	REMARKS
1	33410-90J00	COIL ASSY, IGNITION NO.1	1	
2	33710-90J00	·CORD, HIGH TENSION	1	NO.1
3	33740-90J00	·CORD, HIGH TENSION	1	NO.4
4	33420-90J00	COIL ASSY, IGNITION NO.2	1	
5	33720-90J00	·CORD, HIGH TENSION	1	NO.2
6	33730-90J00	·CORD, HIGH TENSION	1	NO.3
7	09408-00035	CLIP	2	
8	01550-06257	BOLT	4	
9	08322-01067	WASHER	4	

FIG.69

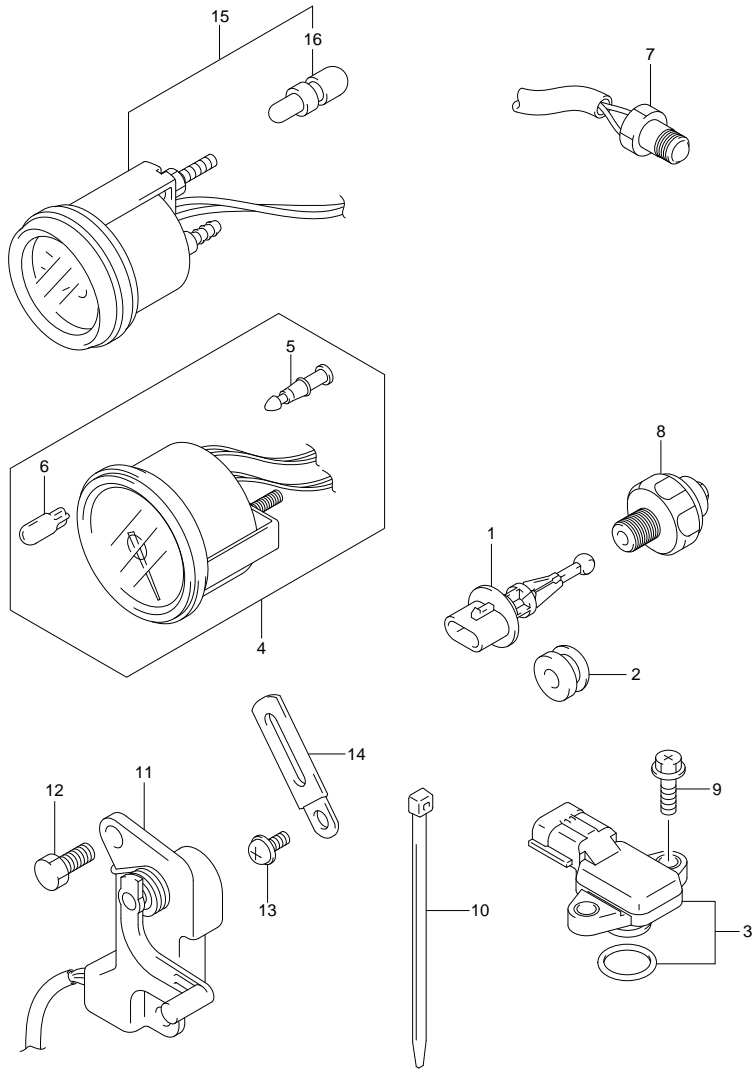


FIG. 69 (1-H-4) SENSOR (DF100T E1)

REF NO.	PART NO.	DESCRIPTION	Q'TY	REMARKS
1	13650-52G00	SENSOR, INLET AIR TEMP	1	
2	13655-87J00	GROMMET, AIR TEMP SENSOR	1	
3	18590-68H00	SENSOR, PRESSURE	1	
4-1	34200-93J00	TACHOMETER ASSY	1	BLACK
4-2	34200-93J11	TACHOMETER ASSY	1	WHITE
5	36615-96300	·TERMINAL, RESIN	4	
6	09471-12077	·BULB (12V1.7W,T10)	1	
7	34830-87J20	SENSOR ASSY, EXHAUST TEMP	2	
8	37820-99E01	SWITCH, OIL PRESSURE	1	
9	02162-05207	SCREW	2	
10-1	09407-14407	CLAMP (L:145)	1	
10-2	09407-14403	CLAMP (L:125)	1	
11	34801-99E04	SENDER ASSY, TRIM	1	
12	09100-06113	BOLT (6X16)	2	
13	09125-06063	SCREW (6X10)	1	
14	29404-93J10	CLAMP	1	
15-1	34800-93J00	METER ASSY, TRIM	1	BLACK
15-2	34800-93J11	METER ASSY, TRIM	1	WHITE
16	09471-12103	·BULB (12V3.4W,T6.5)	1	

FIG.70

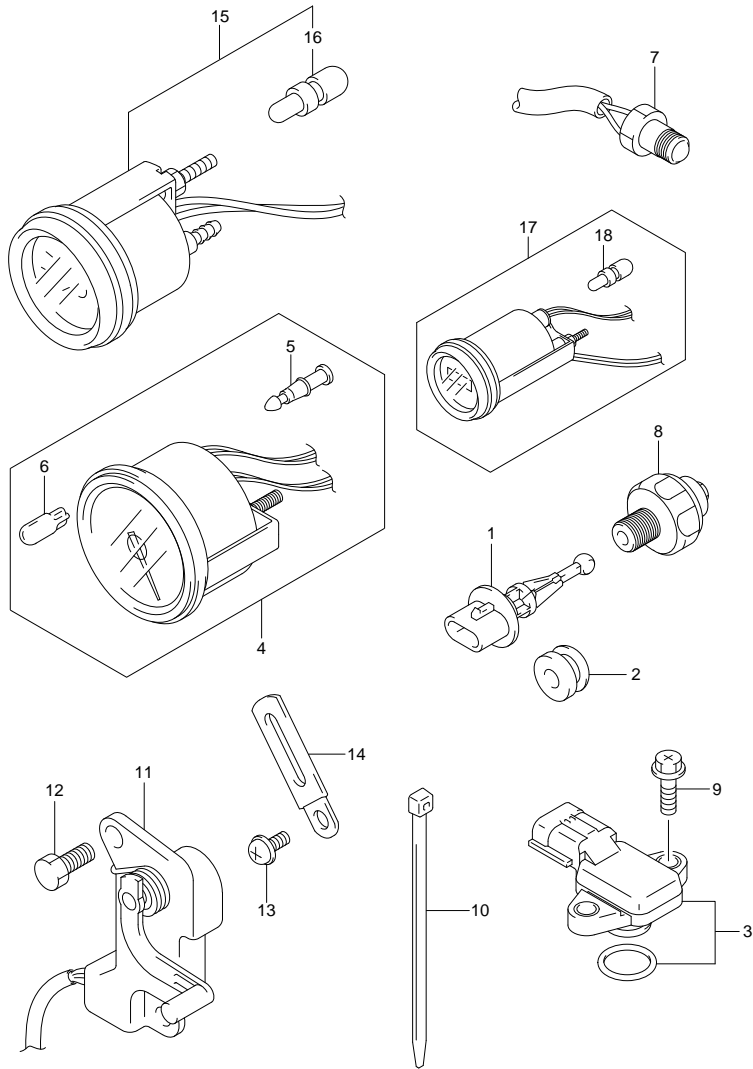


FIG. 70 (1-H-5) SENSOR (DF100T E40)

REF NO.	PART NO.	DESCRIPTION	Q'TY	REMARKS
1	13650-52G00	SENSOR, INLET AIR TEMP	1	
2	13655-87J00	GROMMET, AIR TEMP SENSOR	1	
3	18590-68H00	SENSOR, PRESSURE	1	
4-1	34200-93J00	TACHOMETER ASSY	1	BLACK
4-2	34200-93J11	TACHOMETER ASSY	1	WHITE
5	36615-96300	·TERMINAL, RESIN	4	
6	09471-12077	·BULB (12V1.7W,T10)	1	
7	34830-87J20	SENSOR ASSY, EXHAUST TEMP	2	
8	37820-99E01	SWITCH, OIL PRESSURE	1	
9	02162-05207	SCREW	2	
10-1	09407-14407	CLAMP (L:145)	1	
10-2	09407-14403	CLAMP (L:125)	1	
11	34801-99E04	SENDER ASSY, TRIM	1	
12	09100-06113	BOLT (6X16)	2	
13	09125-06063	SCREW (6X10)	1	
14	29404-93J10	CLAMP	1	
15-1	34800-93J00	METER ASSY, TRIM	1	BLACK
15-2	34800-93J11	METER ASSY, TRIM	1	WHITE
16	09471-12103	·BULB (12V3.4W,T6.5)	1	
17-1	34500-93J00	METER ASSY, HOUR	1	BLACK
17-2	34500-93J11	METER ASSY, HOUR	1	WHITE
18	09471-12103	·BULB (12V3.4W,T6.5)	1	

FIG.71

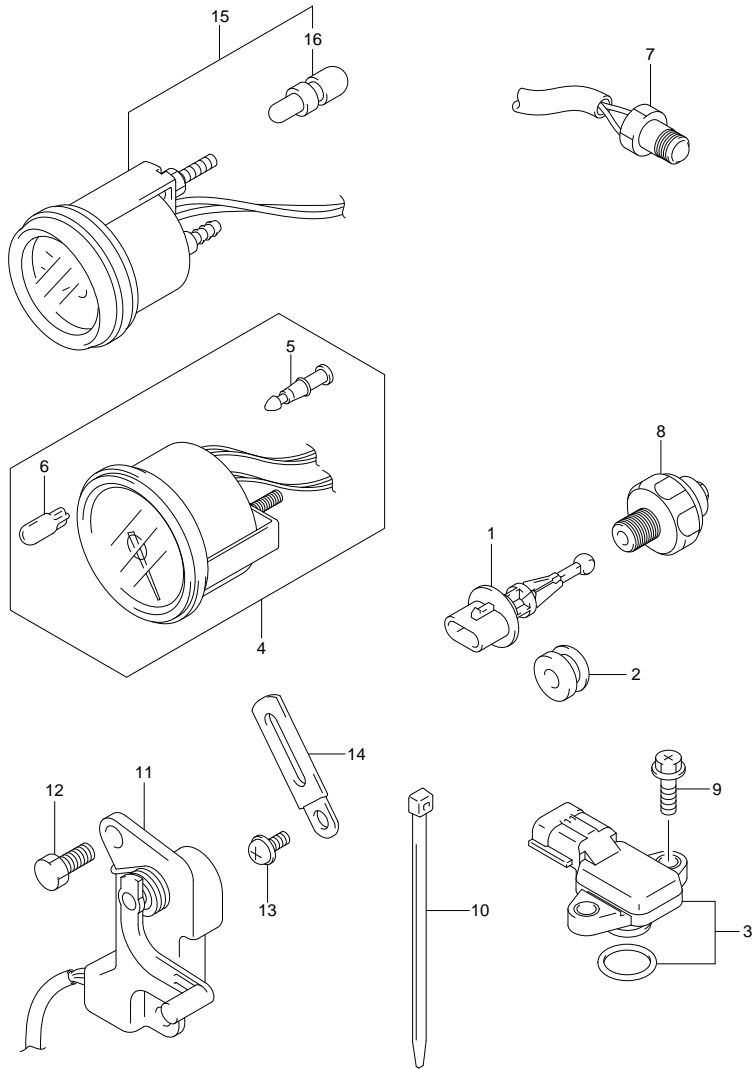


FIG. 71 (1-H-6) SENSOR (DF115T E1)

REF NO.	PART NO.	DESCRIPTION	Q'TY	REMARKS
1	13650-52G00	SENSOR, INLET AIR TEMP	1	
2	13655-87J00	GROMMET, AIR TEMP SENSOR	1	
3	18590-68H00	SENSOR, PRESSURE	1	
4-1	34200-93J00	TACHOMETER ASSY	1	BLACK
4-2	34200-93J11	TACHOMETER ASSY	1	WHITE
5	36615-96300	·TERMINAL, RESIN	4	
6	09471-12077	·BULB (12V1.7W,T10)	1	
7	34830-87J20	SENSOR ASSY, EXHAUST TEMP	2	
8	37820-99E01	SWITCH, OIL PRESSURE	1	
9	02162-05207	SCREW	2	
10-1	09407-14407	CLAMP (L:145)	1	
10-2	09407-14403	CLAMP (L:125)	1	
11	34801-99E04	SENDER ASSY, TRIM	1	
12	09100-06113	BOLT (6X16)	2	
13	09125-06063	SCREW (6X10)	1	
14	29404-93J10	CLAMP	1	
15-1	34800-93J00	METER ASSY, TRIM	1	BLACK
15-2	34800-93J11	METER ASSY, TRIM	1	WHITE
16	09471-12103	·BULB (12V3.4W,T6.5)	1	

FIG.72

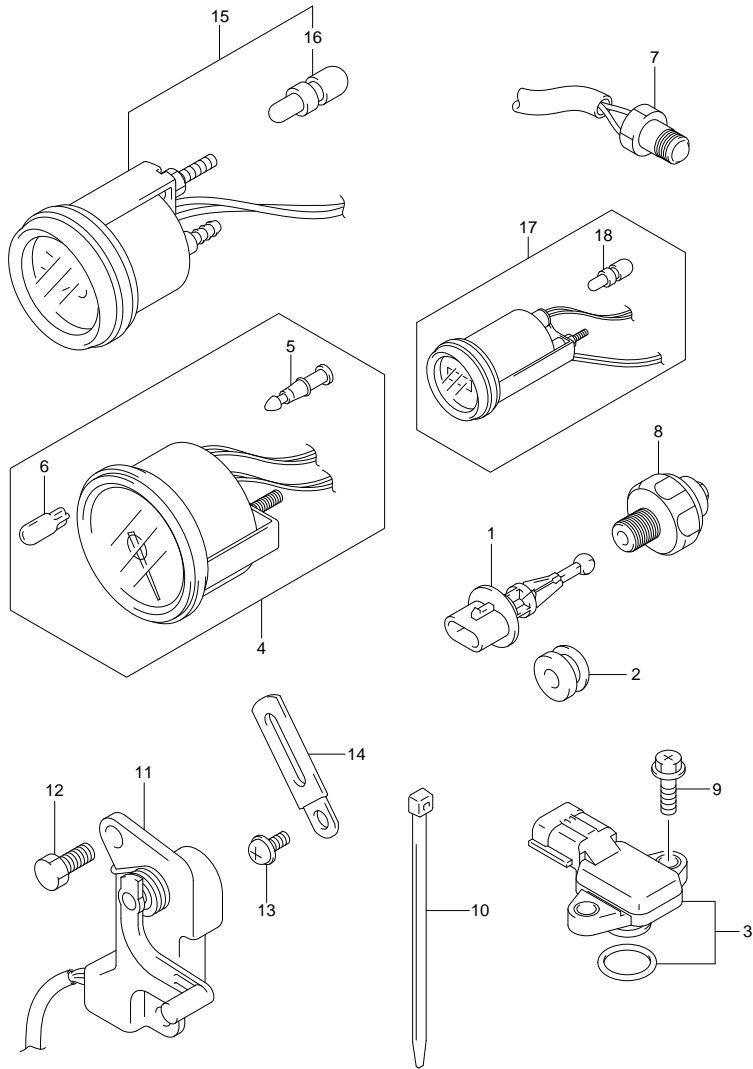


FIG.72 (1-H-7) SENSOR (DF115T E40)

REF NO.	PART NO.	DESCRIPTION	Q'TY	REMARKS
1	13650-52G00	SENSOR, INLET AIR TEMP	1	
2	13655-87J00	GROMMET, AIR TEMP SENSOR	1	
3	18590-68H00	SENSOR, PRESSURE	1	
4-1	34200-93J00	TACHOMETER ASSY	1	BLACK
4-2	34200-93J11	TACHOMETER ASSY	1	WHITE
5	36615-96300	·TERMINAL, RESIN	4	
6	09471-12077	·BULB (12V1.7W,T10)	1	
7	34830-87J20	SENSOR ASSY, EXHAUST TEMP	2	
8	37820-99E01	SWITCH, OIL PRESSURE	1	
9	02162-05207	SCREW	2	
10-1	09407-14407	CLAMP (L:145)	1	
10-2	09407-14403	CLAMP (L:125)	1	
11	34801-99E04	SENDER ASSY, TRIM	1	
12	09100-06113	BOLT (6X16)	2	
13	09125-06063	SCREW (6X10)	1	
14	29404-93J10	CLAMP	1	
15-1	34800-93J00	METER ASSY, TRIM	1	BLACK
15-2	34800-93J11	METER ASSY, TRIM	1	WHITE
16	09471-12103	·BULB (12V3.4W,T6.5)	1	
17-1	34500-93J00	METER ASSY, HOUR	1	BLACK
17-2	34500-93J11	METER ASSY, HOUR	1	WHITE
18	09471-12103	·BULB (12V3.4W,T6.5)	1	

FIG.73

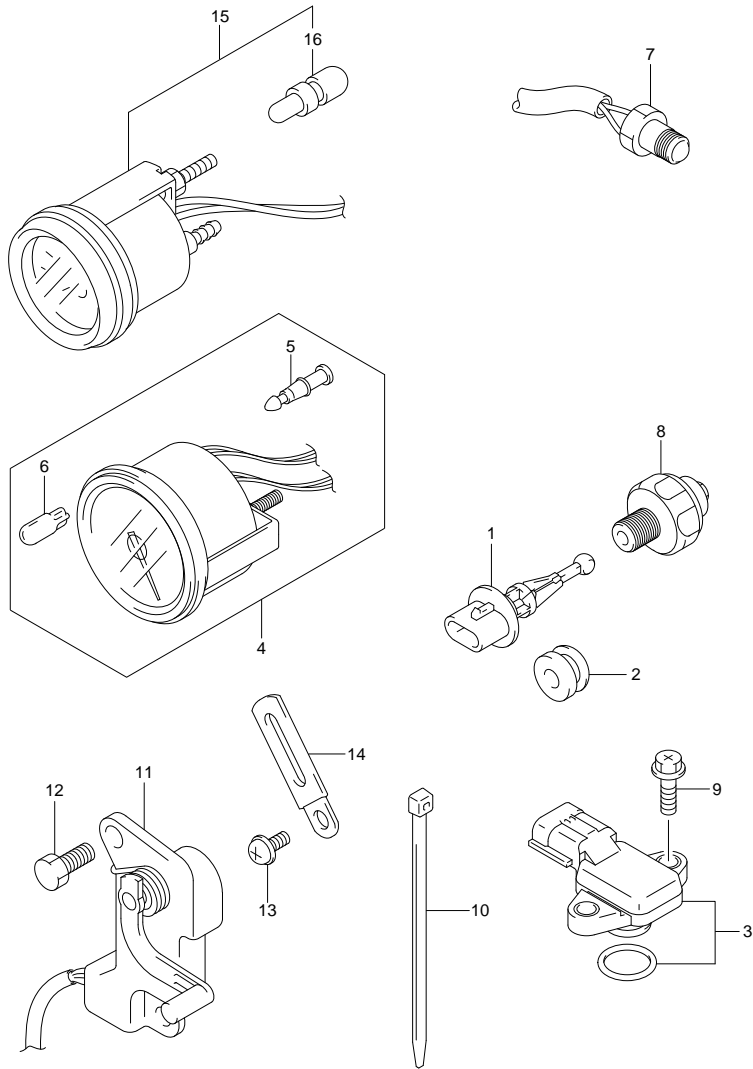


FIG. 73 (1-H-8) SENSOR (DF115Z E1)

REF NO.	PART NO.	DESCRIPTION	Q' TY	REMARKS
1	13650-52G00	SENSOR, INLET AIR TEMP	1	
2	13655-87J00	GROMMET, AIR TEMP SENSOR	1	
3	18590-68H00	SENSOR, PRESSURE	1	
4-1	34200-93J00	TACHOMETER ASSY	1	BLACK
4-2	34200-93J11	TACHOMETER ASSY	1	WHITE
5	36615-96300	·TERMINAL, RESIN	4	
6	09471-12077	·BULB (12V1.7W,T10)	1	
7	34830-87J20	SENSOR ASSY, EXHAUST TEMP	2	
8	37820-99E01	SWITCH, OIL PRESSURE	1	
9	02162-05207	SCREW	2	
10-1	09407-14407	CLAMP (L:145)	1	
10-2	09407-14403	CLAMP (L:125)	1	
11	34801-99E04	SENDER ASSY, TRIM	1	
12	09100-06113	BOLT (6X16)	2	
13	09125-06063	SCREW (6X10)	1	
14	29404-93J10	CLAMP	1	
15-1	34800-93J00	METER ASSY, TRIM	1	BLACK
15-2	34800-93J11	METER ASSY, TRIM	1	WHITE
16	09471-12103	·BULB (12V3.4W,T6.5)	1	

FIG.74

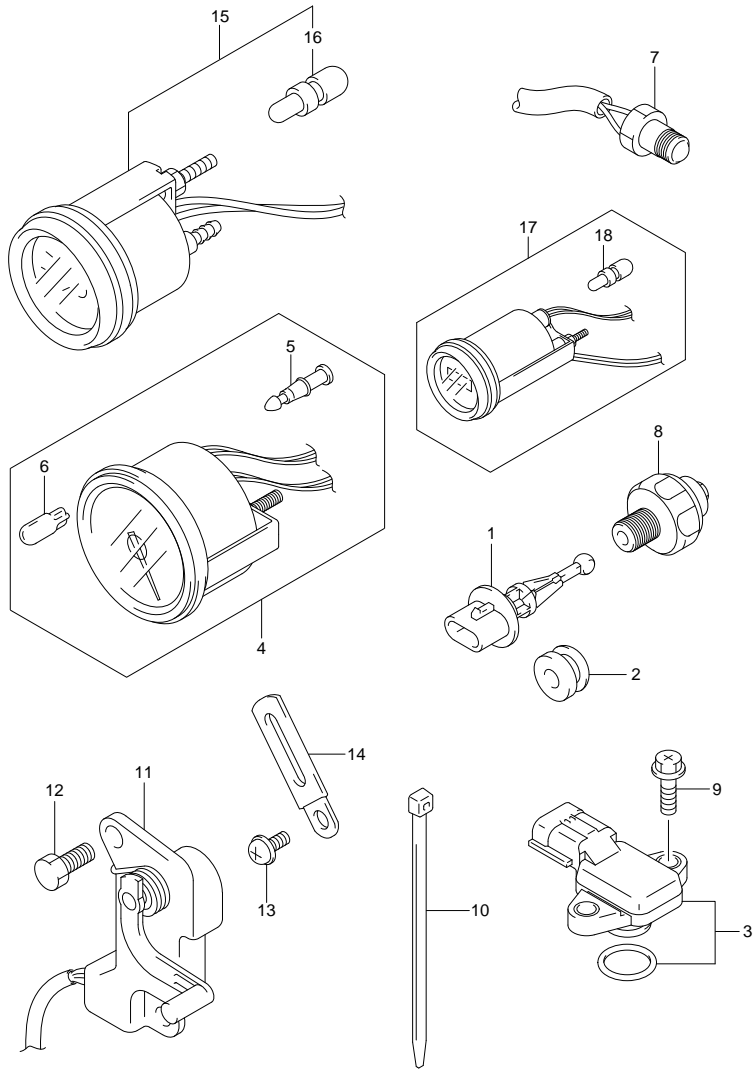


FIG. 74 (1-H-9) SENSOR (DF115Z E40)

REF NO.	PART NO.	DESCRIPTION	Q' TY	REMARKS
1	13650-52G00	SENSOR, INLET AIR TEMP	1	
2	13655-87J00	GROMMET, AIR TEMP SENSOR	1	
3	18590-68H00	SENSOR, PRESSURE	1	
4-1	34200-93J00	TACHOMETER ASSY	1	BLACK
4-2	34200-93J11	TACHOMETER ASSY	1	WHITE
5	36615-96300	·TERMINAL, RESIN	4	
6	09471-12077	·BULB (12V1.7W,T10)	1	
7	34830-87J20	SENSOR ASSY, EXHAUST TEMP	2	
8	37820-99E01	SWITCH, OIL PRESSURE	1	
9	02162-05207	SCREW	2	
10-1	09407-14407	CLAMP (L:145)	1	
10-2	09407-14403	CLAMP (L:125)	1	
11	34801-99E04	SENDER ASSY, TRIM	1	
12	09100-06113	BOLT (6X16)	2	
13	09125-06063	SCREW (6X10)	1	
14	29404-93J10	CLAMP	1	
15-1	34800-93J00	METER ASSY, TRIM	1	BLACK
15-2	34800-93J11	METER ASSY, TRIM	1	WHITE
16	09471-12103	·BULB (12V3.4W,T6.5)	1	
17-1	34500-93J00	METER ASSY, HOUR	1	BLACK
17-2	34500-93J11	METER ASSY, HOUR	1	WHITE
18	09471-12103	·BULB (12V3.4W,T6.5)	1	

FIG.75

FIG.75 (1-H-10) HARNESS

REF NO.	PART NO.	DESCRIPTION	Q'TY	REMARKS
1	33810-90J10	CABLE, STARTER MOTOR	1	
2	08316-10087	NUT	1	
3	36610-90J81	HARNESS ASSY, WIRING	1	
4	09481-30501	·FUSE (30A)	1	
5	33634-96J00	·CAP, SERVICE CONNECTOR	1	
6	36616-90J10	HOLDER, REMOCON CONNECTOR	1	
7	02142-06167	SCREW	2	
8	36865-90J00	TERMINAL, MAIN FUSE	2	
9	09481-60401	FUSE (60A)	2	
10	01570-06107	BOLT	2	
11	08310-00067	NUT	2	
12	36617-90J00	BRACKET, JOINT CONNECTOR	1	
13-1	36625-93J00	LEAD, BATTERY	1	L:3700
13-2	36625-93J10	LEAD, BATTERY	1	OPT L:6500
14	09481-15501	·FUSE (15A)	1	
15	09407-10404	CLAMP (L:100)	2	
16	09407-14407	CLAMP (L:145)	1	

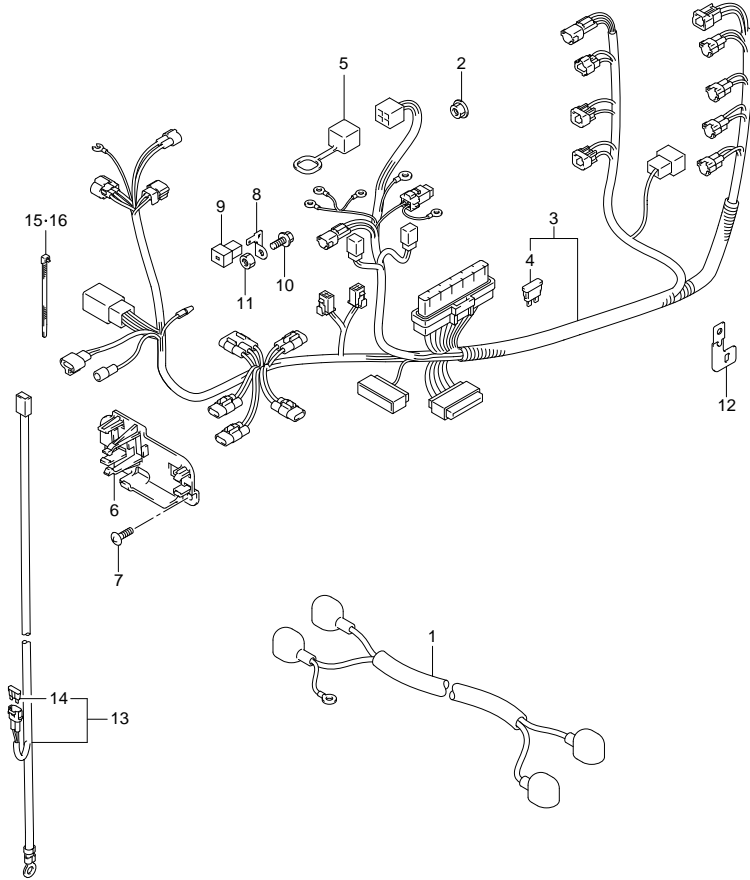


FIG.76

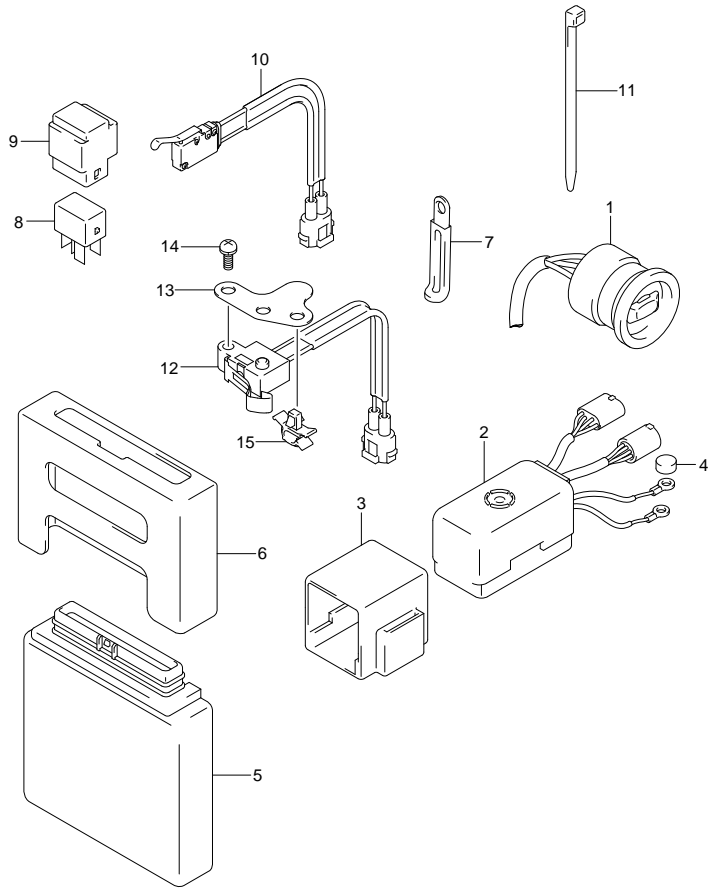


FIG.76 (1-H-11) PTT SWITCH & ENGINE CONTROL UNIT (DF100T E1)

REF NO.	PART NO.	DESCRIPTION	QTY	REMARKS
1	37850-99E04	SWITCH, PTT	1	
2	38410-93J12	RELAY, PTT	1	
3	38415-93J00	HOLDER, PTT RELAY	1	
4	09251-09002	CAP	2	
5	33920-90JG0	UNIT, ENGINE CONTROL	1	
6	33925-87J00	CUSHION, ENGINE CONTROL UNIT	1	
7	29404-93J10	CLAMP	2	
8	38860-76F01	RELAY, ENGINE CONTROL UNIT	1	
9	38915-90J00	HOLDER, RELAY	1	
10	37722-93J11	SWITCH ASSY, TILT LIMIT	1	
11	09407-14407	CLAMP (L:145)	2	
12	37721-93J00	SWITCH ASSY, NEUTRAL	1	
13	37726-90J10	BRACKET, NEUTRAL SWITCH	1	
14	09137-04004	SCREW (4X16)	2	
15	09403-06316	CLIP	1	

FIG.77

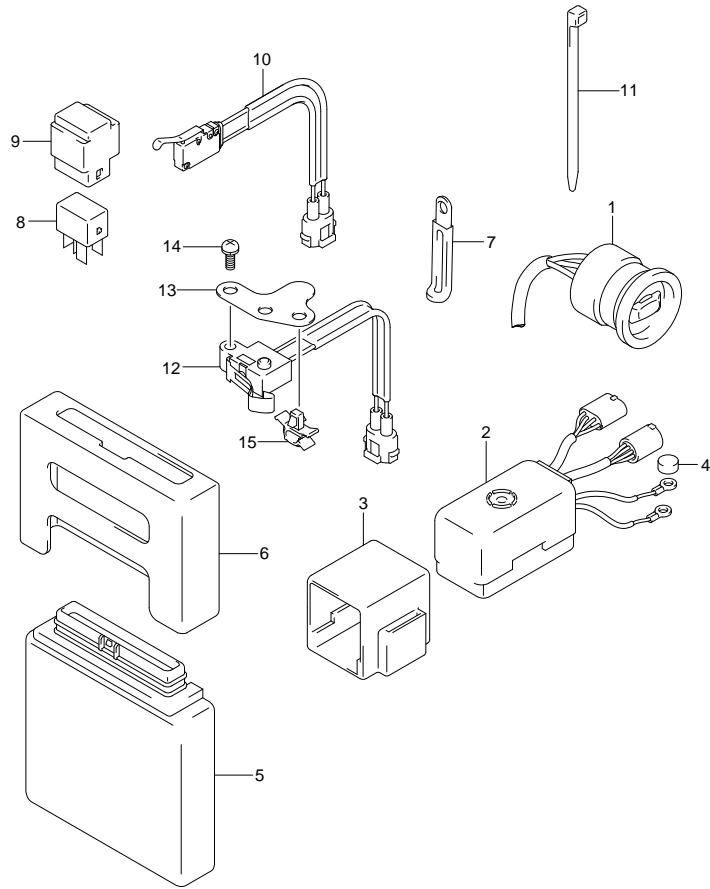


FIG. 77 (1-H-12) PTT SWITCH & ENGINE CONTROL UNIT (DF100T E40)

REF NO.	PART NO.	DESCRIPTION	Q'TY	REMARKS
1	37850-99E04	SWITCH, PTT	1	
2	38410-93J12	RELAY, PTT	1	
3	38415-93J00	HOLDER, PTT RELAY	1	
4	09251-09002	CAP	2	
5	33920-90JH0	UNIT, ENGINE CONTROL	1	
6	33925-87J00	CUSHION, ENGINE CONTROL UNIT	1	
7	29404-93J10	CLAMP	2	
8	38860-76F01	RELAY, ENGINE CONTROL UNIT	1	
9	38915-90J00	HOLDER, RELAY	1	
10	37722-93J11	SWITCH ASSY, TILT LIMIT	1	
11	09407-14407	CLAMP (L:145)	2	
12	37721-93J00	SWITCH ASSY, NEUTRAL	1	
13	37726-90J10	BRACKET, NEUTRAL SWITCH	1	
14	09137-04004	SCREW (4X16)	2	
15	09403-06316	CLIP	1	

FIG.78

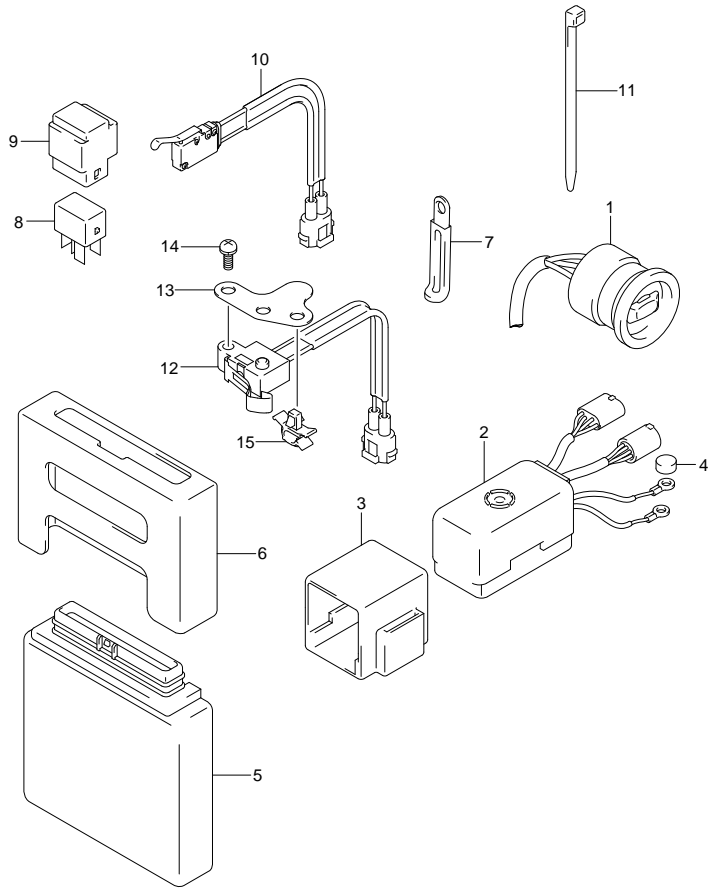


FIG.78 (1-H-13) PTT SWITCH & ENGINE CONTROL UNIT (DF115T E1)

REF NO.	PART NO.	DESCRIPTION	Q'TY	REMARKS
1	37850-99E04	SWITCH, PTT	1	
2	38410-93J12	RELAY, PTT	1	
3	38415-93J00	HOLDER, PTT RELAY	1	
4	09251-09002	CAP	2	
5	33920-90JE0	UNIT, ENGINE CONTROL	1	
6	33925-87J00	CUSHION, ENGINE CONTROL UNIT	1	
7	29404-93J10	CLAMP	2	
8	38860-76F01	RELAY, ENGINE CONTROL UNIT	1	
9	38915-90J00	HOLDER, RELAY	1	
10	37722-93J11	SWITCH ASSY, TILT LIMIT	1	
11	09407-14407	CLAMP (L:145)	2	
12	37721-93J00	SWITCH ASSY, NEUTRAL	1	
13	37726-90J10	BRACKET, NEUTRAL SWITCH	1	
14	09137-04004	SCREW (4X16)	2	
15	09403-06316	CLIP	1	

FIG.79

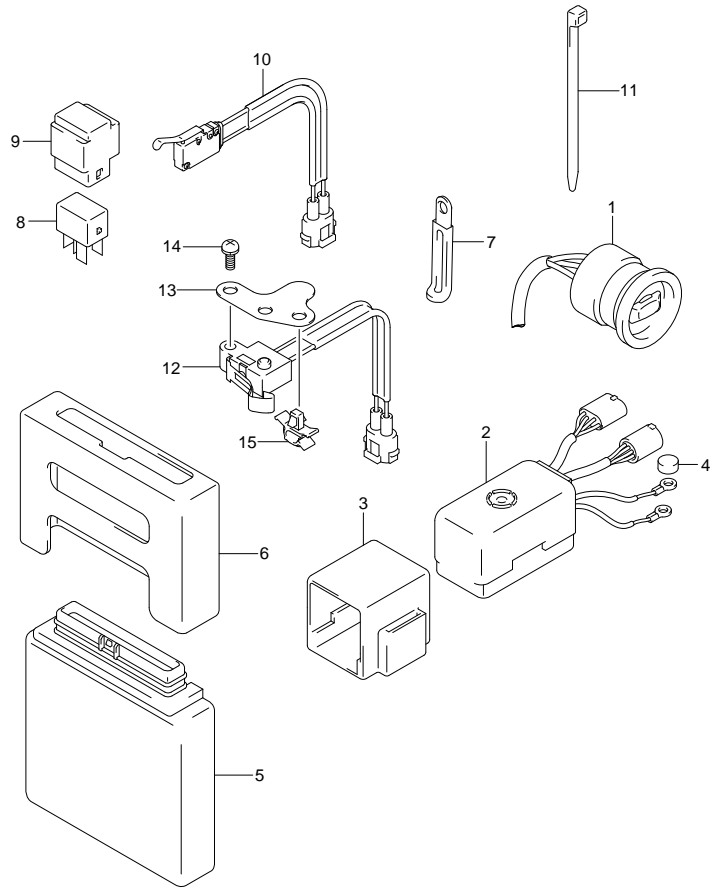


FIG.79 (1-H-14) PTT SWITCH & ENGINE CONTROL UNIT (DF115T E40)

REF NO.	PART NO.	DESCRIPTION	Q'TY	REMARKS
1	37850-99E04	SWITCH, PTT	1	
2	38410-93J12	RELAY, PTT	1	
3	38415-93J00	HOLDER, PTT RELAY	1	
4	09251-09002	CAP	2	
5	33920-90JF0	UNIT, ENGINE CONTROL	1	
6	33925-87J00	CUSHION, ENGINE CONTROL UNIT	1	
7	29404-93J10	CLAMP	2	
8	38860-76F01	RELAY, ENGINE CONTROL UNIT	1	
9	38915-90J00	HOLDER, RELAY	1	
10	37722-93J11	SWITCH ASSY, TILT LIMIT	1	
11	09407-14407	CLAMP (L:145)	2	
12	37721-93J00	SWITCH ASSY, NEUTRAL	1	
13	37726-90J10	BRACKET, NEUTRAL SWITCH	1	
14	09137-04004	SCREW (4X16)	2	
15	09403-06316	CLIP	1	

FIG.80

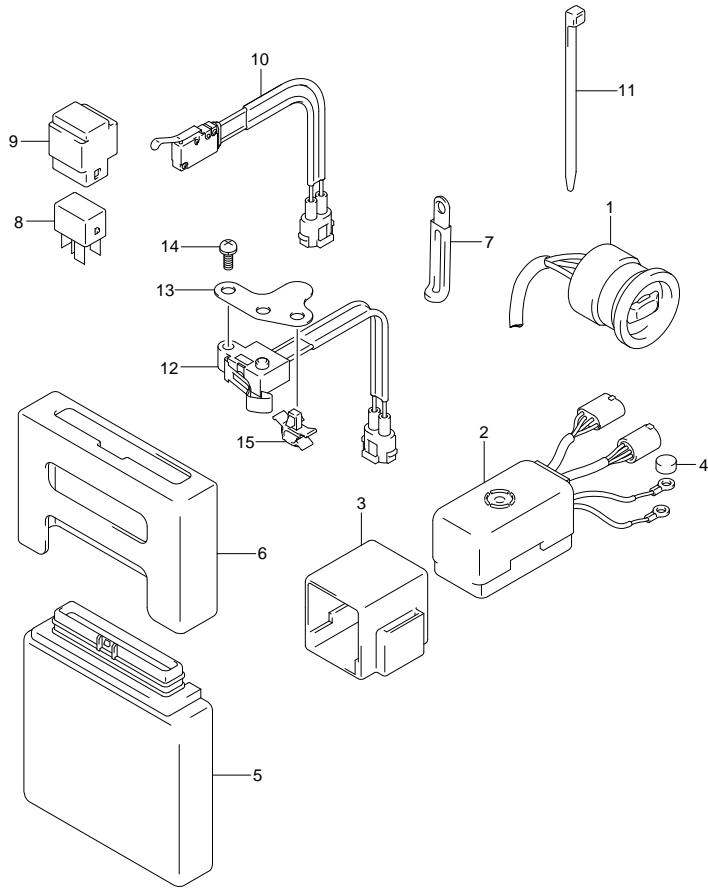


FIG. 80 (1-H-15) PTT SWITCH & ENGINE CONTROL UNIT (DF115Z E1)

REF NO.	PART NO.	DESCRIPTION	Q'TY	REMARKS
1	37850-99E04	SWITCH, PTT	1	
2	38410-93J12	RELAY, PTT	1	
3	38415-93J00	HOLDER, PTT RELAY	1	
4	09251-09002	CAP	2	
5	33920-90JE0	UNIT, ENGINE CONTROL	1	
6	33925-87J00	CUSHION, ENGINE CONTROL UNIT	1	
7	29404-93J10	CLAMP	2	
8	38860-76F01	RELAY, ENGINE CONTROL UNIT	1	
9	38915-90J00	HOLDER, RELAY	1	
10	37722-93J11	SWITCH ASSY, TILT LIMIT	1	
11	09407-14407	CLAMP (L:145)	2	
12	37721-93J00	SWITCH ASSY, NEUTRAL	1	
13	37726-90J10	BRACKET, NEUTRAL SWITCH	1	
14	09137-04004	SCREW (4X16)	2	
15	09403-06316	CLIP	1	

FIG.81

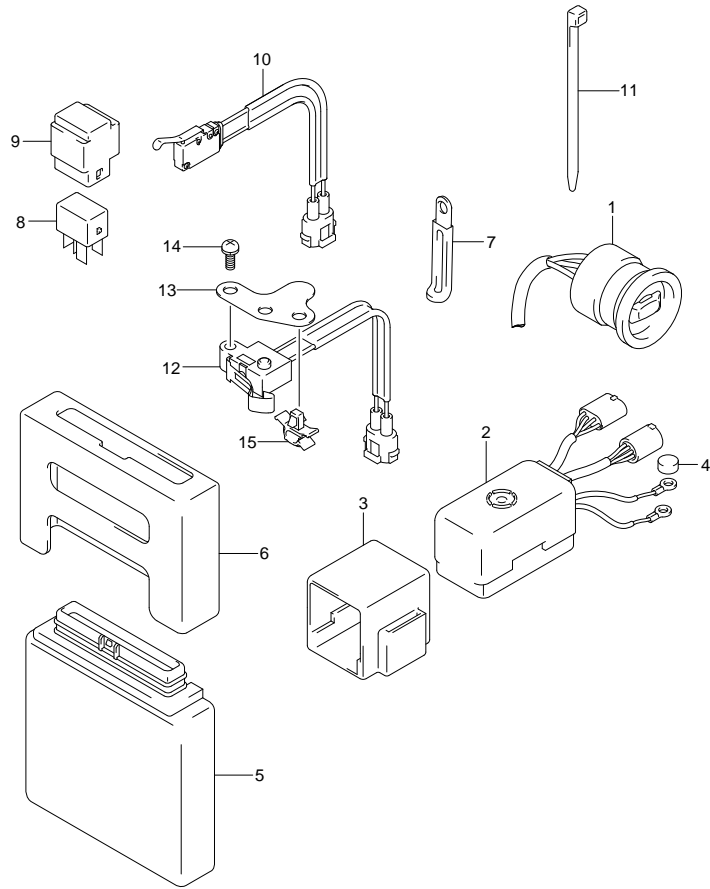


FIG. 81 (1-1-2) PTT SWITCH & ENGINE CONTROL UNIT (DF115Z F40)

REF NO.	PART NO.	DESCRIPTION	Q'TY	REMARKS
1	37850-99E04	SWITCH, PTT	1	
2	38410-93J12	RELAY, PTT	1	
3	38415-93J00	HOLDER, PTT RELAY	1	
4	09251-09002	CAP	2	
5	33920-90JF0	UNIT, ENGINE CONTROL	1	
6	33925-87J00	CUSHION, ENGINE CONTROL UNIT	1	
7	29404-93J10	CLAMP	2	
8	38860-76F01	RELAY, ENGINE CONTROL UNIT	1	
9	38915-90J00	HOLDER, RELAY	1	
10	37722-93J11	SWITCH ASSY, TILT LIMIT	1	
11	09407-14407	CLAMP (L:145)	2	
12	37721-93J00	SWITCH ASSY, NEUTRAL	1	
13	37726-90J10	BRACKET, NEUTRAL SWITCH	1	
14	09137-04004	SCREW (4X16)	2	
15	09403-06316	CLIP	1	

FIG.82

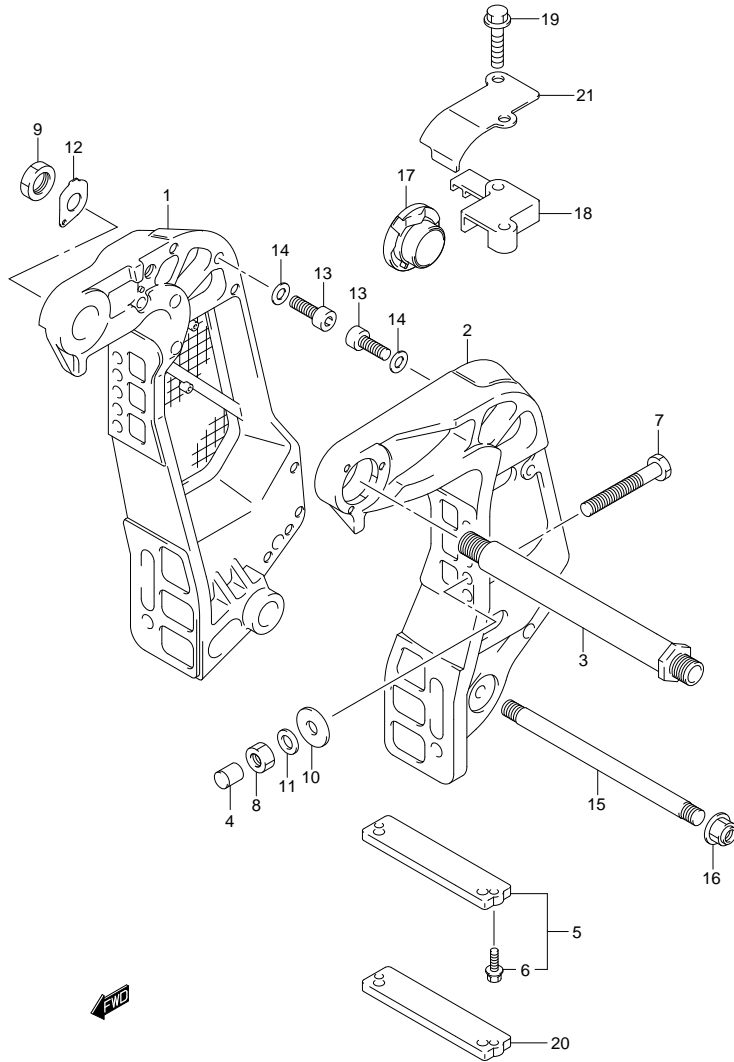


FIG. 82 (1-1-3) CLAMP BRACKET (DF100T E1)

REF NO.	PART NO.	DESCRIPTION	Q'TY	REMARKS
1	41111-90J13-0EP	BRACKET, CLAMP STBD (BLACK)	1	
2	41121-90J13-0EP	BRACKET, CLAMP PORT (BLACK)	1	
3	41130-92J01	SHAFT, CLAMP BRKT	1	
4	41153-94500	CAP, TRANSOM BOLT	4	
5	55320-94900	ZINC, PROTECTION	1	
6	09116-06121	BOLT (6X25)	2	
7-1	09100-12091	BOLT (12X115)	4	
7-2	09100-12090	BOLT (12X150)	1	OPT
8	09159-12014	NUT	4	
9	09159-22006	NUT	1	
10	09160-12044	WASHER (12.5X35X3.2)	4	
11	09160-12110	WASHER (12.5X22X3)	4	
12	41135-92J00	WASHER SHAFT	1	
13	09106-10065	BOLT (10X20)	2	
14	09160-10082	WASHER (10.5X19X2)	2	
15	45421-90J00	PIN, TILT LOCK	1	OPT
16	09159-14020	NUT	2	OPT
17	48140-93J00	CAM ASSY, TILT LIMIT SW	1	
18	48144-93J00	HOLDER, TILT LIMIT SW	1	
19	09103-06278	BOLT (6X25)	2	
20	55321-94910	ANODE (MAGNESIUM)	1	OPT
21	48145-93J00	COVER, TILT LIMIT SWITCH	1	

FIG.83

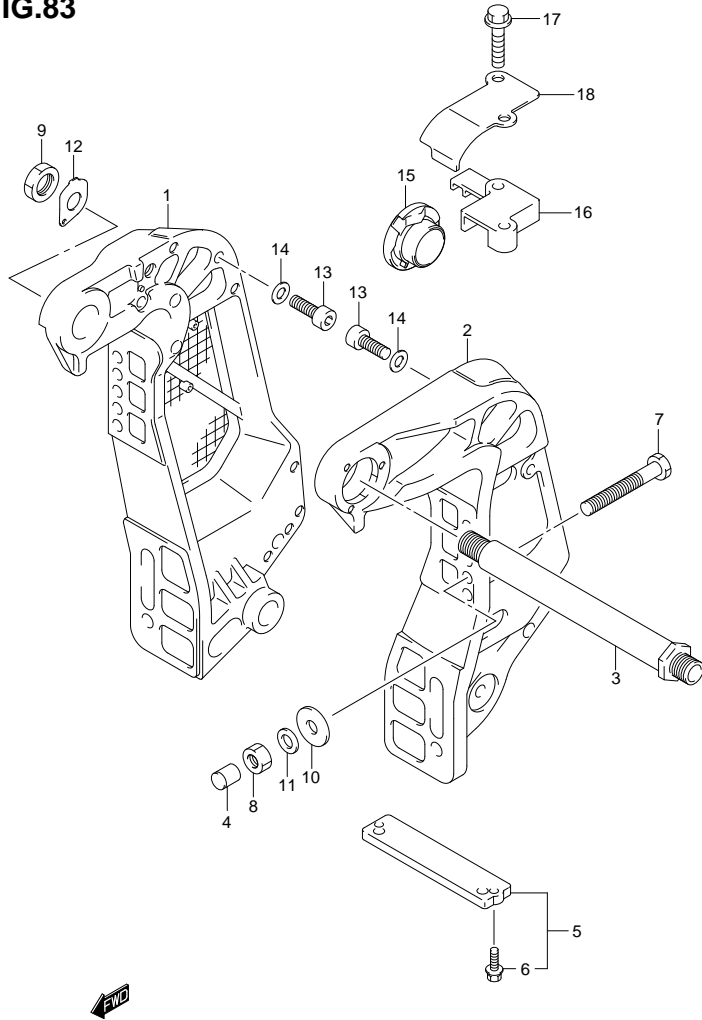


FIG. 83 (1-1-4) CLAMP BRACKET (DF100T E40)

REF NO.	PART NO.	DESCRIPTION	Q'TY	REMARKS
1	41111-90J13-0EP	BRACKET, CLAMP STBD (BLACK)	1	
2	41121-90J13-0EP	BRACKET, CLAMP PORT (BLACK)	1	
3	41130-92J01	SHAFT, CLAMP BRKT	1	
4	41153-94500	CAP, TRANSOM BOLT	4	
5	55320-94900	ZINC, PROTECTION	1	
6	09116-06121	BOLT (6X25)	2	
7	09100-12091	BOLT (12X115)	4	
8	09159-12014	NUT	4	
9	09159-22006	NUT	1	
10	09160-12044	WASHER (12.5X35X3.2)	4	
11	09160-12110	WASHER (12.5X22X3)	4	
12	41135-92J00	WASHER SHAFT	1	
13	09106-10065	BOLT (10X20)	2	
14	09160-10082	WASHER (10.5X19X2)	2	
15	48140-93J00	CAM ASSY, TILT LIMIT SW	1	
16	48144-93J00	HOLDER, TILT LIMIT SW	1	
17	09103-06278	BOLT (6X25)	2	
18	48145-93J00	COVER, TILT LIMIT SWITCH	1	

FIG.84

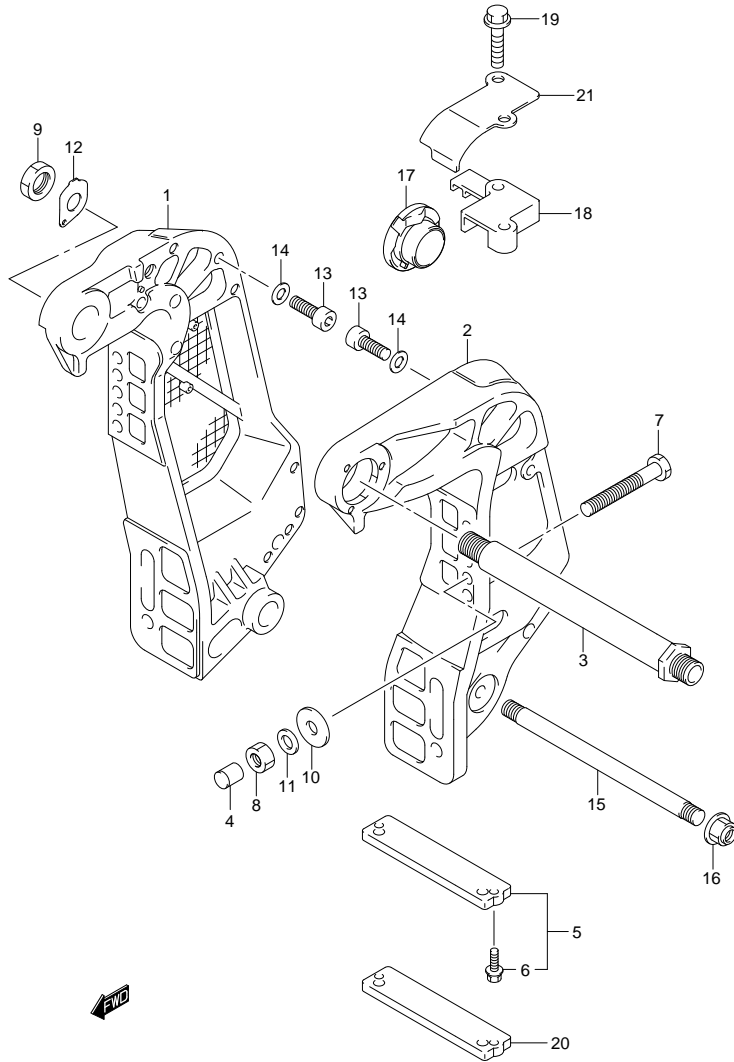


FIG. 84 (1-1-5) CLAMP BRACKET (DF115T E1)

REF NO.	PART NO.	DESCRIPTION	Q'TY	REMARKS
1	41111-90J13-0EP	BRACKET, CLAMP STBD (BLACK)	1	
2	41121-90J13-0EP	BRACKET, CLAMP PORT (BLACK)	1	
3	41130-92J01	SHAFT, CLAMP BRKT	1	
4	41153-94500	CAP, TRANSOM BOLT	4	
5	55320-94900	ZINC, PROTECTION	1	
6	09116-06121	BOLT (6X25)	2	
7-1	09100-12091	BOLT (12X115)	4	
7-2	09100-12090	BOLT (12X150)	1	OPT
8	09159-12014	NUT	4	
9	09159-22006	NUT	1	
10	09160-12044	WASHER (12.5X35X3.2)	4	
11	09160-12110	WASHER (12.5X22X3)	4	
12	41135-92J00	WASHER SHAFT	1	
13	09106-10065	BOLT (10X20)	2	
14	09160-10082	WASHER (10.5X19X2)	2	
15	45421-90J00	PIN, TILT LOCK	1	OPT
16	09159-14020	NUT	2	OPT
17	48140-93J00	CAM ASSY, TILT LIMIT SW	1	
18	48144-93J00	HOLDER, TILT LIMIT SW	1	
19	09103-06278	BOLT (6X25)	2	
20	55321-94910	ANODE (MAGNESIUM)	1	OPT
21	48145-93J00	COVER, TILT LIMIT SWITCH	1	

FIG.85

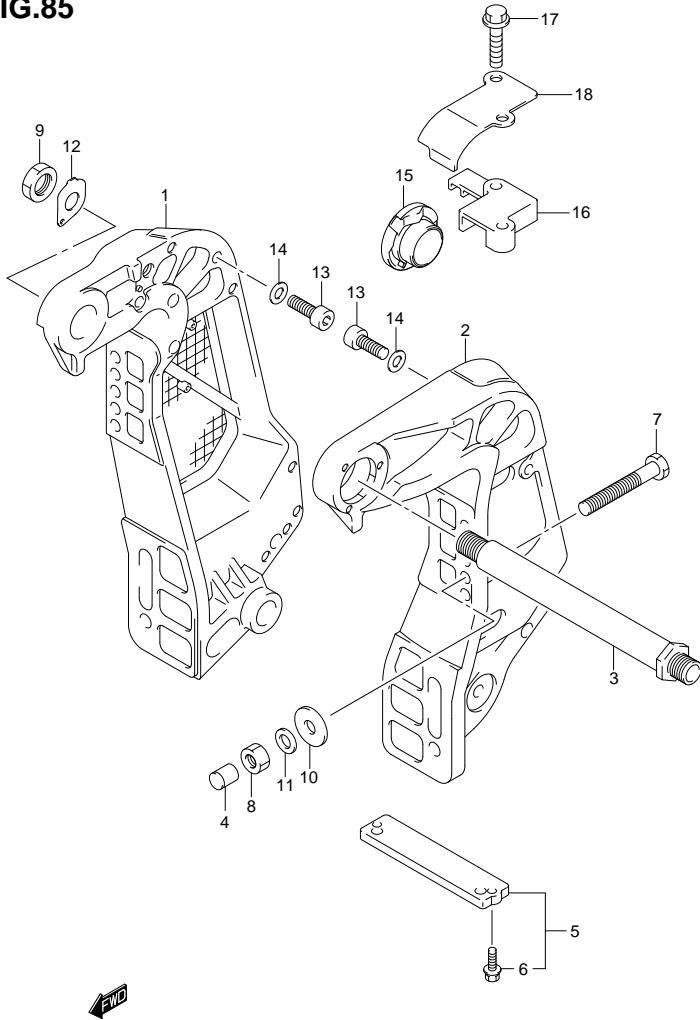


FIG. 85 (1-1-6) CLAMP BRACKET (DF115T E40)

REF NO.	PART NO.	DESCRIPTION	Q'TY	REMARKS
1	41111-90J13-0EP	BRACKET, CLAMP STBD (BLACK)	1	
2	41121-90J13-0EP	BRACKET, CLAMP PORT (BLACK)	1	
3	41130-92J01	SHAFT, CLAMP BRKT	1	
4	41153-94500	CAP, TRANSOM BOLT	4	
5	55320-94900	ZINC, PROTECTION	1	
6	09116-06121	BOLT (6X25)	2	
7	09100-12091	BOLT (12X115)	4	
8	09159-12014	NUT	4	
9	09159-22006	NUT	1	
10	09160-12044	WASHER (12.5X35X3.2)	4	
11	09160-12110	WASHER (12.5X22X3)	4	
12	41135-92J00	WASHER SHAFT	1	
13	09106-10065	BOLT (10X20)	2	
14	09160-10082	WASHER (10.5X19X2)	2	
15	48140-93J00	CAM ASSY, TILT LIMIT SW	1	
16	48144-93J00	HOLDER, TILT LIMIT SW	1	
17	09103-06278	BOLT (6X25)	2	
18	48145-93J00	COVER, TILT LIMIT SWITCH	1	

FIG.86

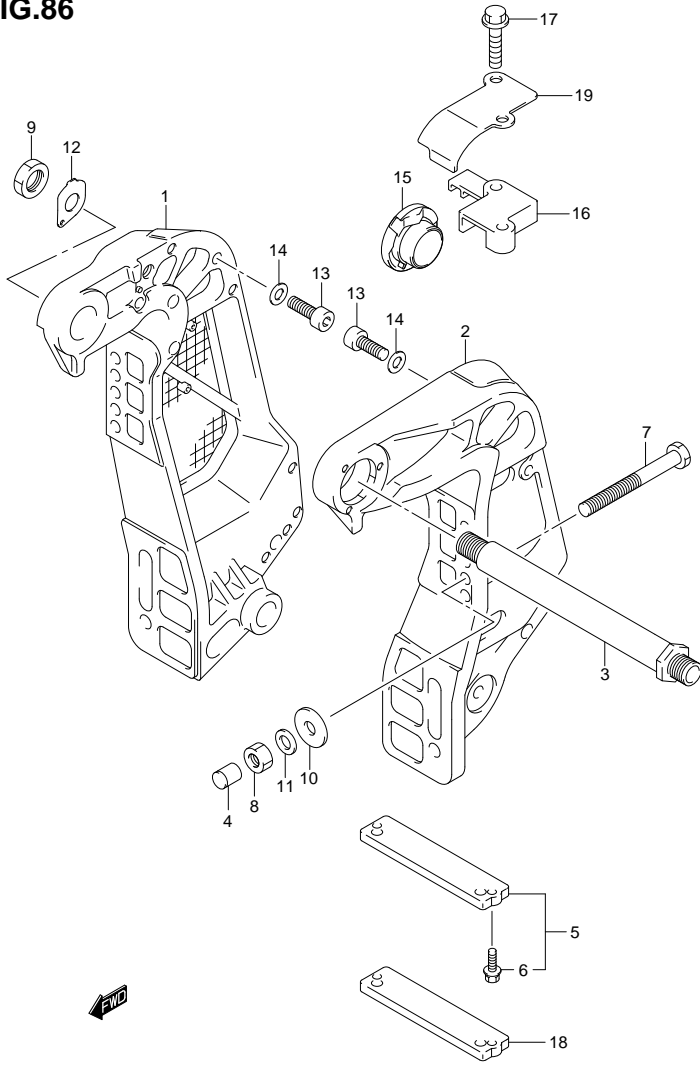


FIG. 86 (1-1-7) CLAMP BRACKET (DF115Z E1)

REF NO.	PART NO.	DESCRIPTION	Q'TY	REMARKS
1	41111-90J13-0EP	BRACKET, CLAMP STBD (BLACK)	1	
2	41121-90J13-0EP	BRACKET, CLAMP PORT (BLACK)	1	
3	41130-92J01	SHAFT, CLAMP BRKT	1	
4	41153-94500	CAP, TRANSOM BOLT	4	
5	55320-94900	ZINC, PROTECTION	1	
6	09116-06121	BOLT (6X25)	2	
7-1	09100-12090	BOLT (12X150)	4	
7-2	09100-12091	BOLT (12X115)	1	OPT
8	09159-12014	NUT	4	
9	09159-22006	NUT	1	
10	09160-12044	WASHER (12.5X35X3.2)	4	
11	09160-12110	WASHER (12.5X22X3)	4	
12	41135-92J00	WASHER SHAFT	1	
13	09106-10065	BOLT (10X20)	2	
14	09160-10082	WASHER (10.5X19X2)	2	
15	48140-93J00	CAM ASSY, TILT LIMIT SW	1	
16	48144-93J00	HOLDER, TILT LIMIT SW	1	
17	09103-06278	BOLT (6X25)	2	
18	55321-94910	ANODE (MAGNESIUM)	1	OPT
19	48145-93J00	COVER, TILT LIMIT SWITCH	1	

FIG.87

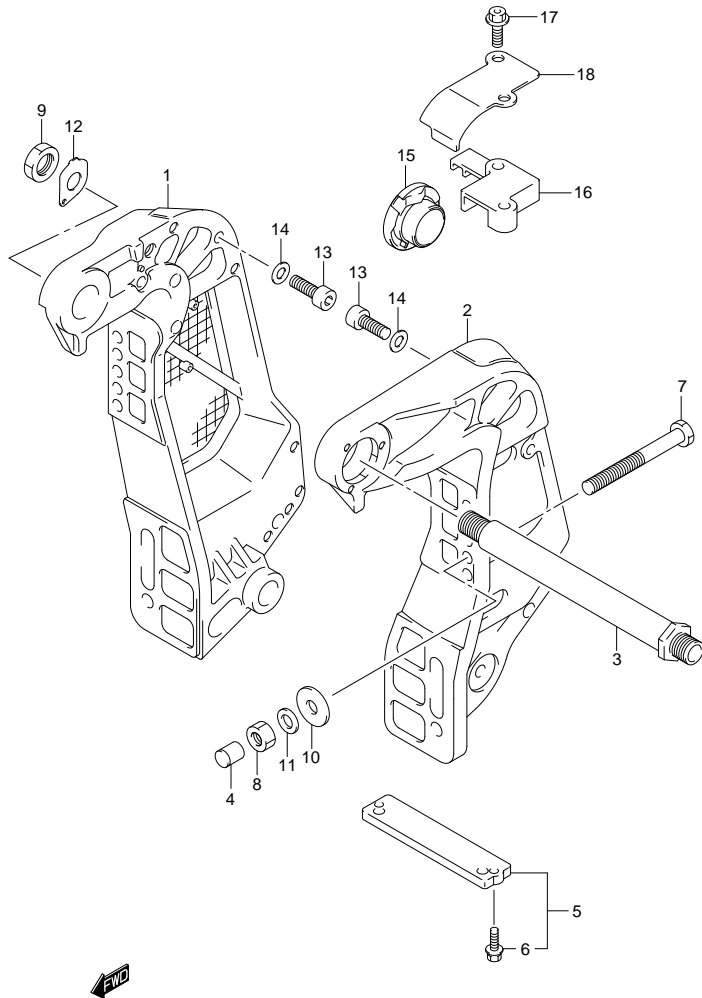


FIG. 87 (1-1-8) CLAMP BRACKET (DF115Z F40)

REF NO.	PART NO.	DESCRIPTION	Q'TY	REMARKS
1	41111-90J13-0EP	BRACKET, CLAMP STBD (BLACK)	1	
2	41121-90J13-0EP	BRACKET, CLAMP PORT (BLACK)	1	
3	41130-92J01	SHAFT, CLAMP BRKT	1	
4	41153-94500	CAP. TRANSOM BOLT	4	
5	55320-94900	ZINC, PROTECTION	1	
6	09116-06121	BOLT (6X25)	2	
7	09100-12090	BOLT (12X150)	4	
8	09159-12014	NUT	4	
9	09159-22006	NUT	1	
10	09160-12044	WASHER (12.5X35X3.2)	4	
11	09160-12110	WASHER (12.5X22X3)	4	
12	41135-92J00	WASHER SHAFT	1	
13	09106-10065	BOLT (10X20)	2	
14	09160-10082	WASHER (10.5X19X2)	2	
15	48140-93J00	CAM ASSY, TILT LIMIT SW	1	
16	48144-93J00	HOLDER, TILT LIMIT SW	1	
17	09103-06278	BOLT (6X25)	2	
18	48145-93J00	COVER, TILT LIMIT SWITCH	1	

FIG.88

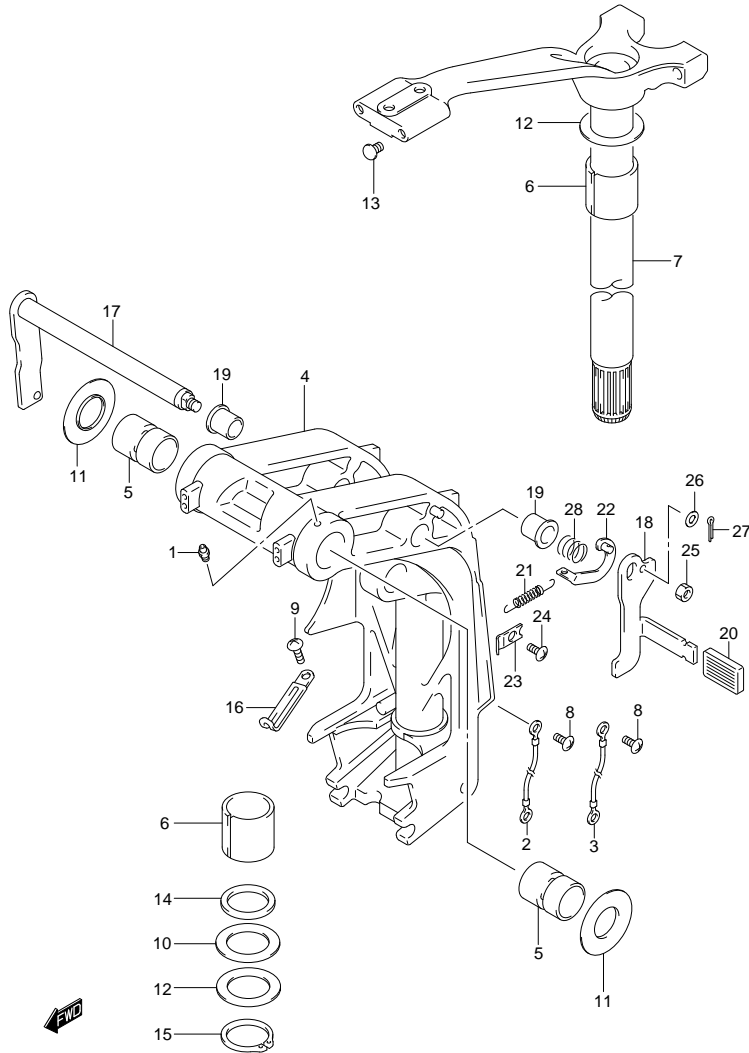


FIG. 88 (1-1-9) SWIVEL BRACKET

REF NO.	PART NO.	DESCRIPTION	Q' TY	REMARKS
1-1	22511-99011	NIPPLE, GREASE	5	TRANSOM(L)
1-2	22511-99011	NIPPLE, GREASE	4	TRANSOM(X)
2	36894-95201	LEAD (CLAMP TO SWIVEL)	1	
3	36894-87D00	LEAD (SWIVEL TO HOUSING)	1	
4-1	43111-90J21-0EP	BRACKET, SWIVEL (BLACK)	1	TRANSOM(L)
4-2	43111-90J30-0EP	BRACKET, SWIVEL (BLACK)	1	TRANSOM(X)
5	43211-93J00	BUSH, CLAMP SHAFT SWIVEL	2	
6	43711-97E00	BUSH, STEERING	2	
7-1	43750-90J22-0EP	BRACKET, STEERING (BLACK)	1	TRANSOM(L)
7-2	43750-90J32-0EP	BRACKET, STEERING (BLACK)	1	TRANSOM(X)
8	29125-93J10	SCREW (5X8)	3	
9	09125-06063	SCREW (6X10)	2	
10	09160-39001	WASHER (39.5X64X1)	2	
11	09169-28003	WASHER	2	
12	09181-39001	SHIM (39.5X64X0.3)	4	
13	09250-10001	CAP	2	
14	09282-39001	OIL SEAL (39X51X5)	1	
15	09380-38003	CIRCLIP	1	
16	29404-93J10	CLAMP	2	
17	41220-95E13	LEVER, TILT LOCK	1	
18	41221-95E40	LEVER, TILT LOCK PORT	1	
19	41224-95E01	BUSH, TILT STOPPER ROD	2	
20	41225-94400	RUBBER, TILT LOCK LEVER	1	
21	41228-90J00	SPRING, TILT LOCK LEVER	1	
22	41230-95E00	LINK, TILT LOCK LEVER	1	
23	41233-95E10	BRACKET, TILT LOCK SPRING	1	
24	09125-06063	SCREW (6X10)	1	
25	09140-10032	NUT	1	
26	09160-06082	WASHER (6.5X13X1.0)	1	
27	09204-01006	COTTER PIN	1	
28	09440-19028	SPRING	1	

FIG.89

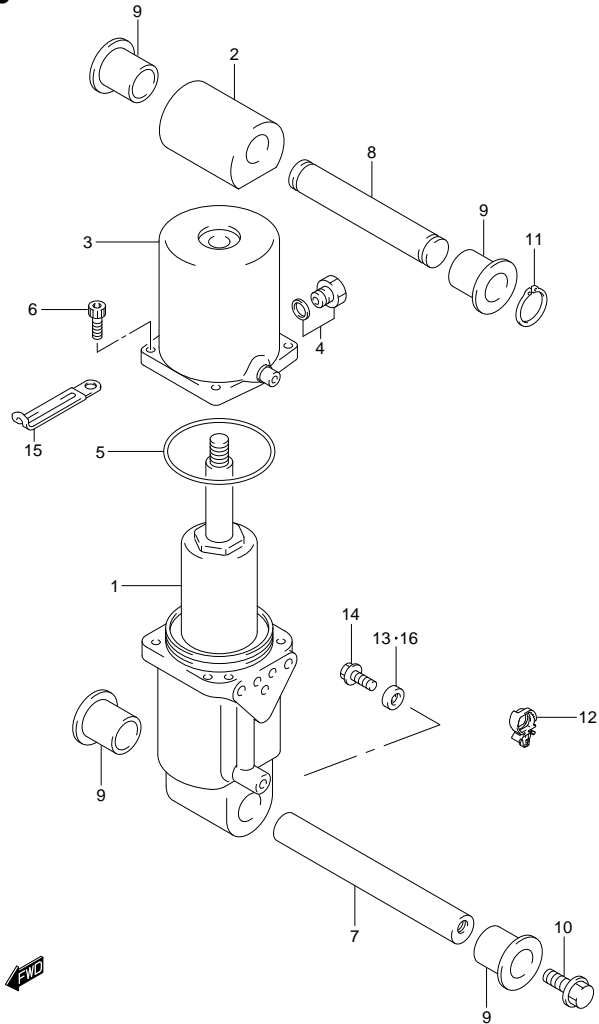


FIG. 89 (1-1-10) TRIM CYLINDER (DF100T E1)

REF NO.	PART NO.	DESCRIPTION	Q'TY	REMARKS
1	48400-90J00	MANIFOLD ASSY	1	
2	48611-90J00	JOINT, METAL	1	
3	48571-90J20	TANK, RESERVOIR	1	
4	48572-87J10	PLUG	1	
5	48557-90J00	O RING	1	
6	48862-87J10	BOLT	4	
7	48121-90J00	SHAFT, TILT CYL LOWER	1	
8	48321-90J00	SHAFT, TILT CYL UPPER	1	
9	48326-95E00	BUSH	4	
10	09116-10131	BOLT (10X35)	2	
11	09380-22015	CIRCLIP	2	
12	09403-20308	CLAMP	1	
13	55321-87J00	ANODE, PROTECTION	1	
14	09103-06281	BOLT (6X14)	1	
15	29404-93J10	CLAMP	1	
16	55321-87J10	ANODE (MAGNESIUM)	1	OPT

FIG.90

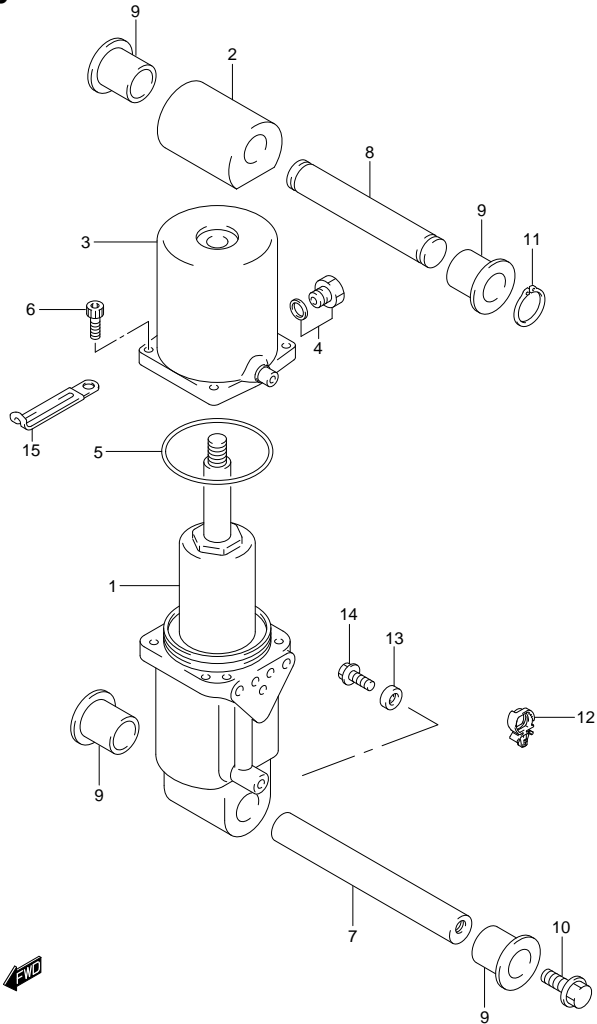


FIG. 90 (1-1-11) TRIM CYLINDER (DF100T E40)

REF NO.	PART NO.	DESCRIPTION	Q' TY	REMARKS
1	48400-90J00	MANIFOLD ASSY	1	
2	48611-90J00	JOINT, METAL	1	
3	48571-90J20	TANK, RESERVOIR	1	
4	48572-87J10	PLUG	1	
5	48557-90J00	O RING	1	
6	48862-87J10	BOLT	4	
7	48121-90J00	SHAFT, TILT CYL LOWER	1	
8	48321-90J00	SHAFT, TILT CYL UPPER	1	
9	48326-95E00	BUSH	4	
10	09116-10131	BOLT (10X35)	2	
11	09380-22015	CIRCLIP	2	
12	09403-20308	CLAMP	1	
13	55321-87J00	ANODE, PROTECTION	1	
14	09103-06281	BOLT (6X14)	1	
15	29404-93J10	CLAMP	1	

FIG.91

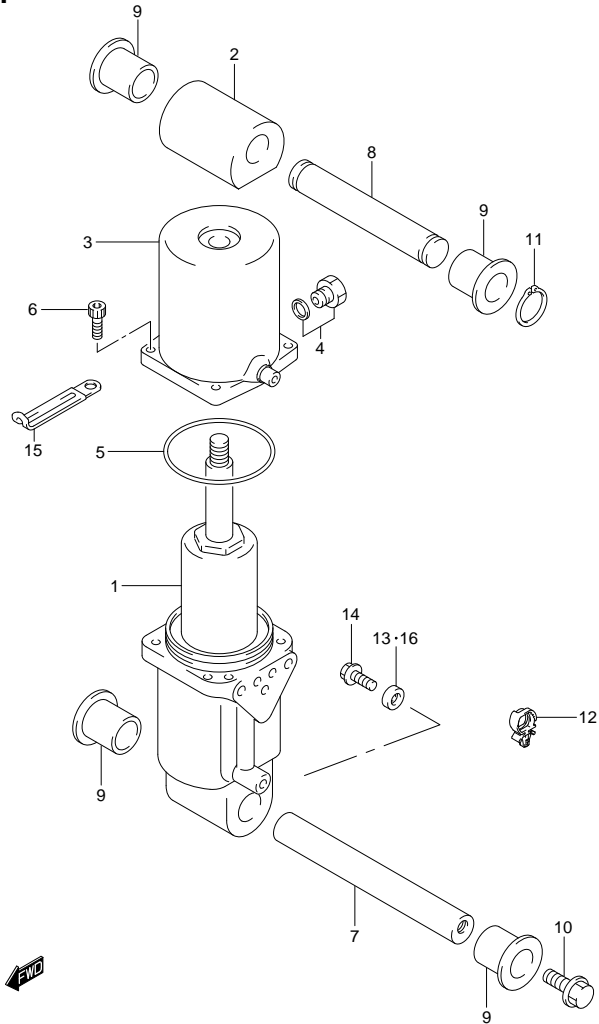


FIG.91 (1-1-12) TRIM CYLINDER (DF115T E1)

REF NO.	PART NO.	DESCRIPTION	Q'TY	REMARKS
1	48400-90J00	MANIFOLD ASSY	1	
2	48611-90J00	JOINT, METAL	1	
3	48571-90J20	TANK, RESERVOIR	1	
4	48572-87J10	PLUG	1	
5	48557-90J00	O RING	1	
6	48862-87J10	BOLT	4	
7	48121-90J00	SHAFT, TILT CYL LOWER	1	
8	48321-90J00	SHAFT, TILT CYL UPPER	1	
9	48326-95E00	BUSH	4	
10	09116-10131	BOLT (10X35)	2	
11	09380-22015	CIRCLIP	2	
12	09403-20308	CLAMP	1	
13	55321-87J00	ANODE, PROTECTION	1	
14	09103-06281	BOLT (6X14)	1	
15	29404-93J10	CLAMP	1	
16	55321-87J10	ANODE (MAGNESIUM)	1	OPT

FIG.92

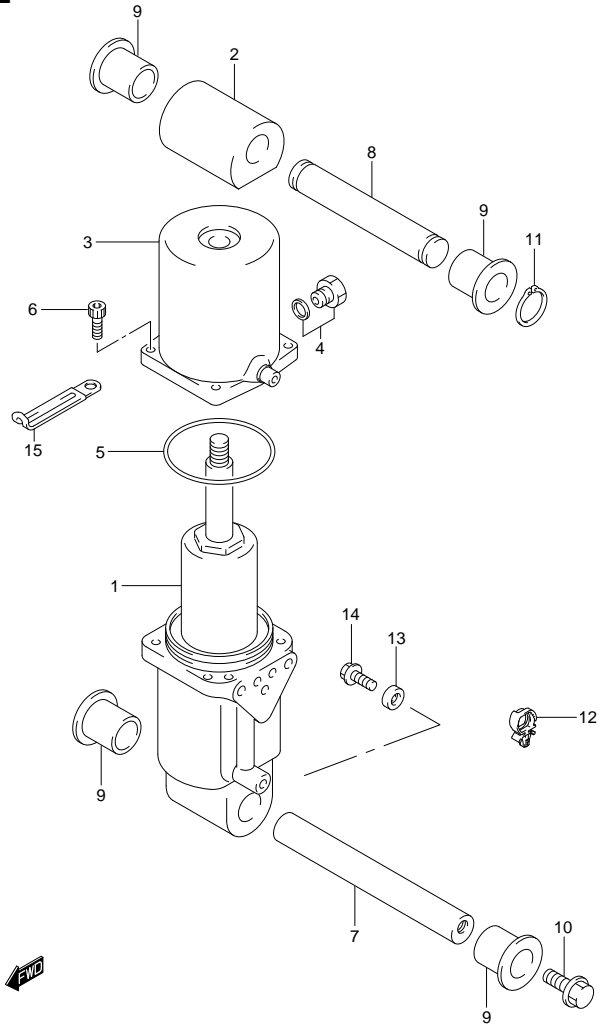


FIG. 92 (1-1-13) TRIM CYLINDER (DF115T E40)

REF NO.	PART NO.	DESCRIPTION	Q' TY	REMARKS
1	48400-90J00	MANIFOLD ASSY	1	
2	48611-90J00	JOINT, METAL	1	
3	48571-90J20	TANK, RESERVOIR	1	
4	48572-87J10	PLUG	1	
5	48557-90J00	O RING	1	
6	48862-87J10	BOLT	4	
7	48121-90J00	SHAFT, TILT CYL LOWER	1	
8	48321-90J00	SHAFT, TILT CYL UPPER	1	
9	48326-95E00	BUSH	4	
10	09116-10131	BOLT (10X35)	2	
11	09380-22015	CIRCLIP	2	
12	09403-20308	CLAMP	1	
13	55321-87J00	ANODE, PROTECTION	1	
14	09103-06281	BOLT (6X14)	1	
15	29404-93J10	CLAMP	1	

FIG.93

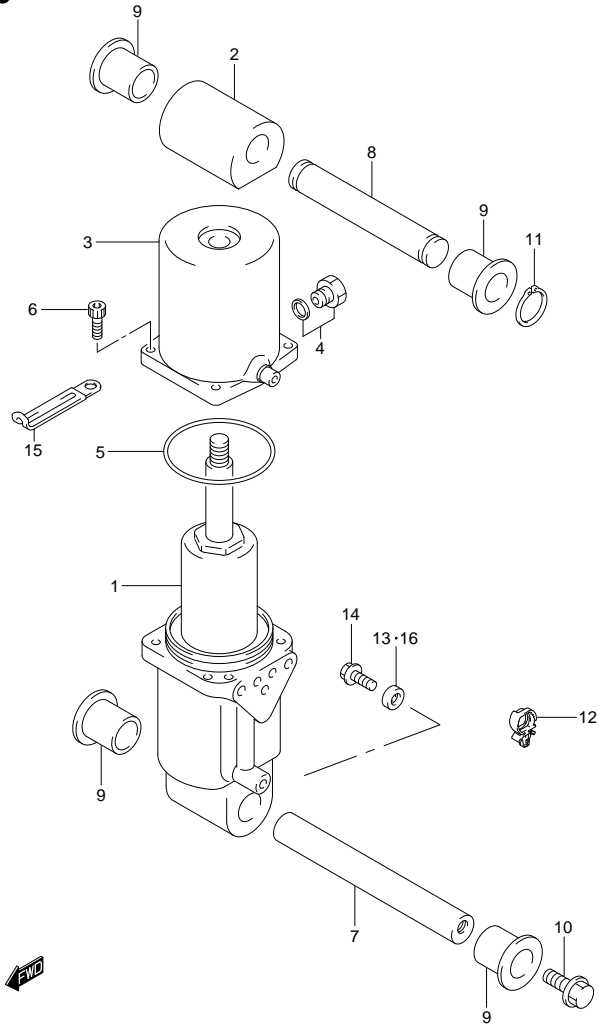


FIG.93 (1-1-14) TRIM CYLINDER (DF115Z E1)

REF NO.	PART NO.	DESCRIPTION	Q' TY	REMARKS
1	48400-90J00	MANIFOLD ASSY	1	
2	48611-90J00	JOINT, METAL	1	
3	48571-90J20	TANK, RESERVOIR	1	
4	48572-87J10	PLUG	1	
5	48557-90J00	O RING	1	
6	48862-87J10	BOLT	4	
7	48121-90J00	SHAFT, TILT CYL LOWER	1	
8	48321-90J00	SHAFT, TILT CYL UPPER	1	
9	48326-95E00	BUSH	4	
10	09116-10131	BOLT (10X35)	2	
11	09380-22015	CIRCLIP	2	
12	09403-20308	CLAMP	1	
13	55321-87J00	ANODE, PROTECTION	1	
14	09103-06281	BOLT (6X14)	1	
15	29404-93J10	CLAMP	1	
16	55321-87J10	ANODE (MAGNESIUM)	1	OPT

FIG.94

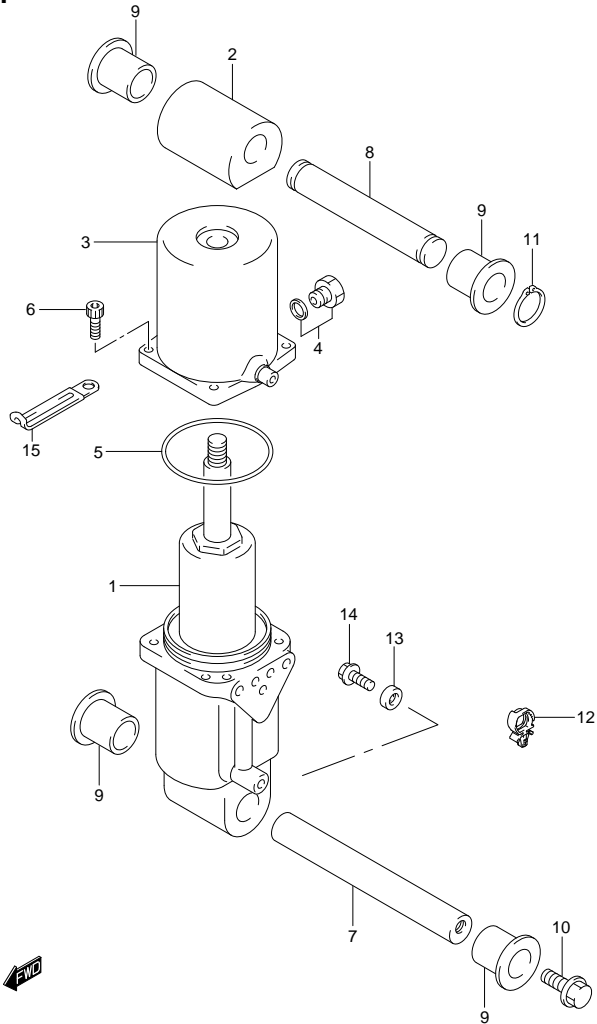


FIG. 94 (1-15) TRIM CYLINDER (DF115Z E40)

REF NO.	PART NO.	DESCRIPTION	Q' TY	REMARKS
1	48400-90J00	MANIFOLD ASSY	1	
2	48611-90J00	JOINT, METAL	1	
3	48571-90J20	TANK, RESERVOIR	1	
4	48572-87J10	PLUG	1	
5	48557-90J00	O RING	1	
6	48862-87J10	BOLT	4	
7	48121-90J00	SHAFT, TILT CYL LOWER	1	
8	48321-90J00	SHAFT, TILT CYL UPPER	1	
9	48326-95E00	BUSH	4	
10	09116-10131	BOLT (10X35)	2	
11	09380-22015	CIRCLIP	2	
12	09403-20308	CLAMP	1	
13	55321-87J00	ANODE, PROTECTION	1	
14	09103-06281	BOLT (6X14)	1	
15	29404-93J10	CLAMP	1	

FIG.95

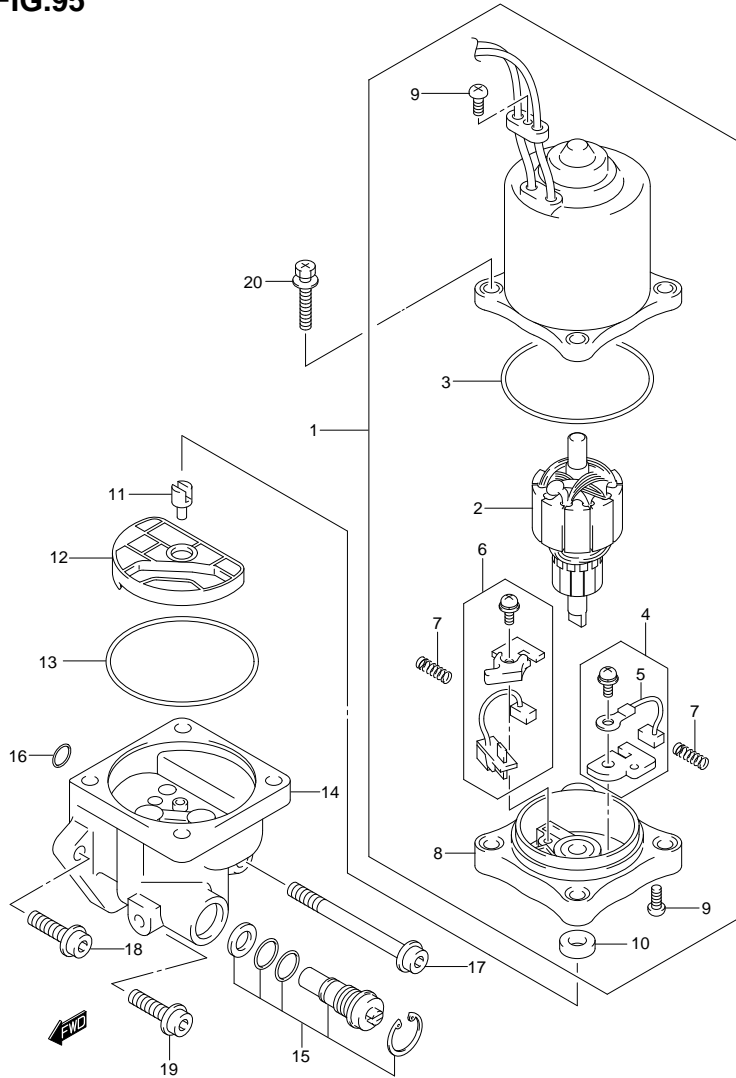


FIG. 95 (1-J-2) PTT MOTOR

REF NO.	PART NO.	DESCRIPTION	Q' TY	REMARKS
1	38100-92J10	MOTOR ASSY, PTT	1	
2	31311-94900	·ARMATURE	1	
3	31123-94910	·O RING	1	
4	31133-90J00	·BRUSH SET	1	
5	31133-94900	··BRUSH	1	
6	31136-90J10	·BREAKER ASSY	1	
7	31135-94900	·SPRING	2	
8	31173-94910	·HOLDER, BRUSH	1	
9	31111-94900	·SCREW	2	
10	33799-97E00	·SEAL, OIL	1	
11	48583-95E00	JOINT, DRIVE	1	
12	48582-95E01	FILTER	1	
13	48585-95E00	O RING	1	
14	48502-90J11	PUMP ASSY	1	
15	48864-93J00	VALVE, MANUAL	1	
16	48588-90J00	O RING SET	1	
17	48862-92J00	BOLT	1	
18	48862-92J10	BOLT	1	
19	48862-90J20	BOLT	1	
20	31281-92J00	BOLT	4	

FIG.96

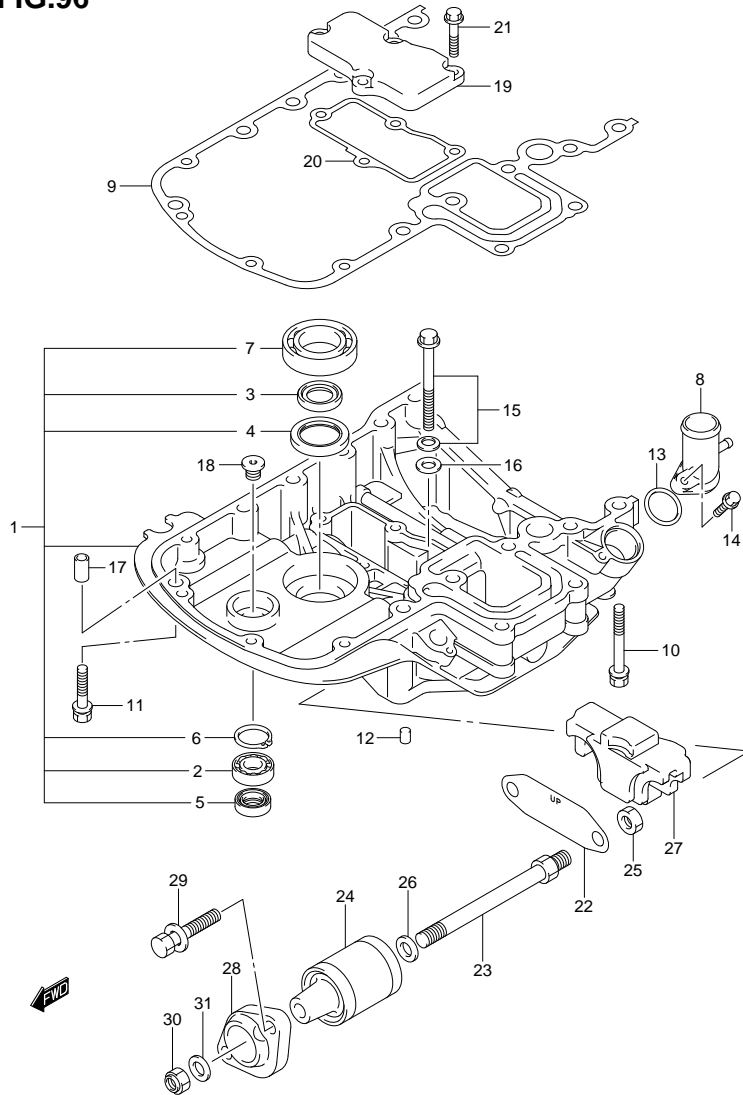


FIG.96 (1-J-3) ENGINE HOLDER

REF NO.	PART NO.	DESCRIPTION	Q'TY	REMARKS
1	51110-90842-0EP	HOLDER SET, ENGINE (BLACK)	1	
2	09262-17019	·BEARING (17X35X8)	1	
3	09282-24003	·OIL SEAL (24X36X6)	2	
4	09283-32044	·OIL SEAL (32X47X6)	1	
5	09289-18001	·OIL SEAL (18X30X8)	1	
6	08331-41359	·CIRCLIP	1	
7	09262-35069	·BEARING (35X62X16)	1	
8	51115-90J00	UNION, WATER RETURN	1	
9	51211-90J21	GASKET, ENGINE HOLDER	1	
10	09116-08119	BOLT (8X70)	4	
11	09116-08128	BOLT (8X40)	4	
12	09206-08001	PIN	2	
13	09280-26006	O RING (D:3.1,ID:26.4)	1	
14	01550-06257	BOLT	1	
15	29117-93J10	BOLT (8X45)	1	W/WASHER
16	09160-08059	WASHER (8.5X18X1.6)	1	
17	04211-11129	PIN	3	
18	09248-12011	PLUG	1	
19	51122-90J00	COVER, MOUNT CASE	1	
20	51123-90J01	GASKET, MOUNT CASE COVER	1	
21	01550-0825A	BOLT	4	
22	54123-90J00	PLATE, UPPER MOUNT	1	
23	54112-90J21	BOLT, UPPER MOUNT	2	
24	54130-90J40	MOUNT, UPPER	2	
25	09159-12014	NUT	2	
26	54114-90J01	WASHER (12.5X22X3)	2	
27	54125-90J10	MOUNT, UPPER THRUST	1	
28	54148-90J11-0EP	COVER, UPPER MOUNT (BLACK)	2	
29	09116-10139	BOLT (10X44)	4	W/WASHER
30	09159-12014	NUT	2	
31	09160-12110	WASHER (12.5X22X3)	2	

FIG.97

FIG. 97 (1-J-4) DRIVE SHAFT HOUSING

REF NO.	PART NO.	DESCRIPTION	QTY	REMARKS
1-1	52111-90J02-0EP	HOUSING, DRIVE SHAFT (BLACK)	1	TRANSOM(L)
1-2	52111-90J12-0EP	HOUSING, DRIVE SHAFT (BLACK)	1	TRANSOM(X)
2	09117-10058	BOLT (10X45)	8	
3	09202-08006	PIN	2	
4	09387-45001	RING	1	TRANSOM(X)
5	57130-94501	BUSH, DRIVE SHAFT	1	TRANSOM(X)
6	09125-06063	SCREW (6X10)	2	
7	36895-87D10	LEAD (SWIVEL TO HSG)	1	
8	54121-87D00	DAMPER, REVERSE STOPPER LOWER	2	
9	54160-90J00	MOUNT, LOWER	2	
10	54166-90J11	BOLT (12X231)	2	
11	09159-12014	NUT	2	
12	09160-12112	WASHER (12X40X3)	2	
13	54114-90J01	WASHER (12.5X22X3.0)	2	
14	54151-90J00	MOUNT, LOWER THRUST	1	
15	54211-90J01-0EP	BRACKET, LOWER MOUNT (BLACK)	1	
16	54221-90J02-0EP	COVER, LOWER MOUNT (BLACK)	2	
17	09117-10058	BOLT (10X45)	6	
18	09160-12113	WASHER (12.5X30X2.5)	2	

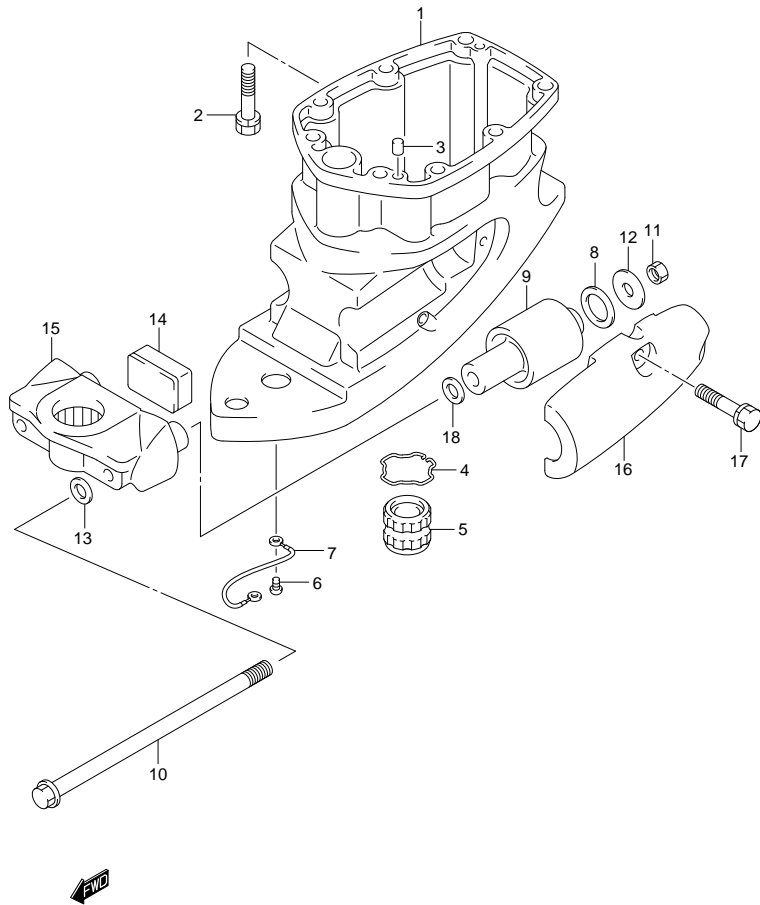
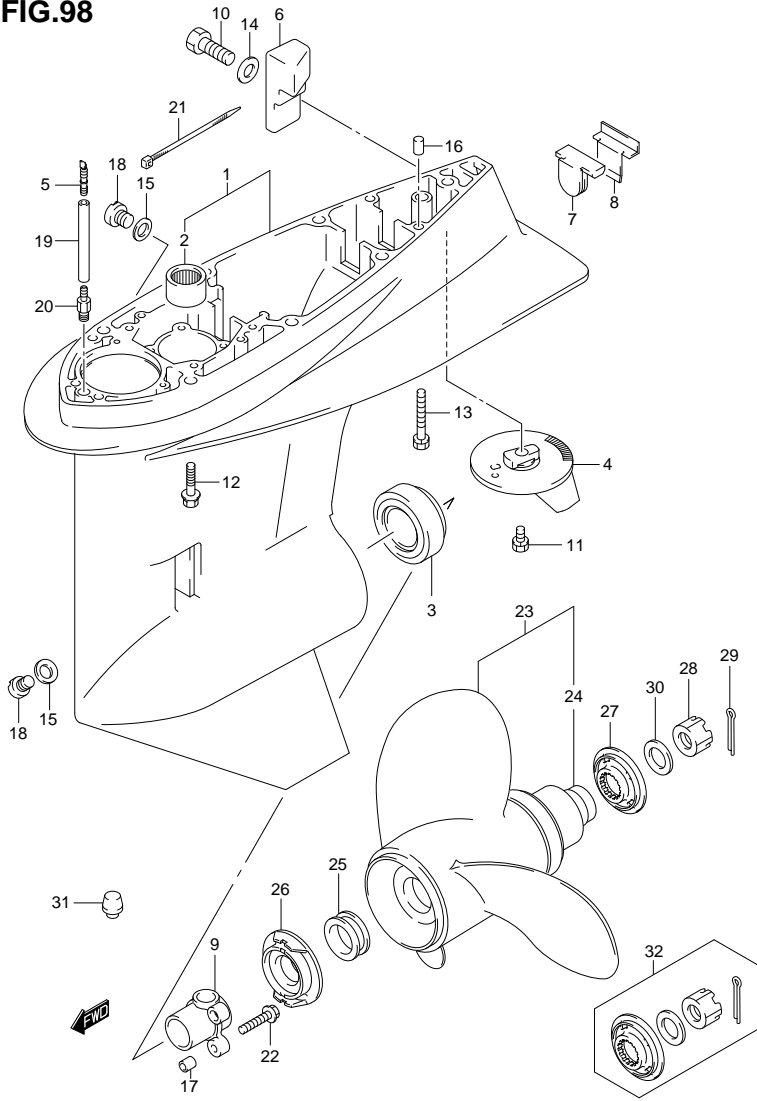


FIG.98

FIG.98 (1-J-5) GEAR CASE (DF100T E1)



REF. NO.	PART NO.	DESCRIPTION	Q'TY	REMARKS
1	55100-90803-OEP	CASE SET, GEAR (BLACK)	1	
2	09263-28016	·BEARING (28.6X38X31.8)	1	
3	09265-50003	·BEARING (50X85X26)	1	
4	55125-90J01	TAB, TRIM	1	
5	55127-87D00	UNION, SPEEDOMETER HOSE	1	
6	55321-90J01	ANODE, GEAR CASE	1	
7	55332-87D11	RUBBER, EXHAUST SEAL	1	
8	55333-87D10	PLATE, EXHAUST SEAL	1	
9	56145-90J20	HOUSING, SHIFT CAM	1	
10	09100-06131	BOLT (6X12)	1	
11	09116-08137	BOLT (8X22)	1	
12	09116-10150	BOLT (10X55)	6	
13	09117-10039	BOLT (10X80)	1	
14	09160-06085	WASHER (6.5X15X1)	1	
15	09168-10022	GASKET (10X17X1.5)	2	
16	09202-08006	PIN	2	
17	09206-09012	PIN	2	
18	09248-10008	PLUG	2	
19-1	09355-40805-00B	HOSE (4X8X2000)	1	TRANSOM(L) L:2000->1100
19-2	09355-40805-00B	HOSE (4X8X2000)	1	TRANSOM(X) L:2000->1100
20	09362-09008	UNION	1	
21	09407-10404	CLAMP (L:100)	2	
22	01550-06257	BOLT	3	

FIG.98

FIG. 98 (1-J-6) GEAR CASE (DF100T E1)

REF NO.	PART NO.	DESCRIPTION	Q' TY	REMARKS
23-1	58100-90J01-019	PROPELLER (3X14X17) (BLACK)	1	
23-2	58100-90J11-019	PROPELLER (3X14X19) (BLACK)	1	
23-3	58100-90J21-019	PROPELLER (3X14X21) (BLACK)	1	
23-4	58100-90J31-019	PROPELLER (3X14X23) (BLACK)	1	
23-5	58100-90J41-019	PROPELLER (3X13.5X15) (BLACK)	1	
23-6	58200-90J00	PROPELLER (3X14.25X18)	1	OPT
23-7	58200-90J10	PROPELLER (3X14.25X20)	1	OPT
23-8	58200-90J20	PROPELLER (3X14.25X22)	1	OPT
23-9	58200-90J30	PROPELLER (3X14.25X24)	1	OPT
24	58120-90J00	·BUSH	1	
25	57632-90J00	SPACER, PROPELLER STOPPER	1	
26	57635-90J01	STOPPER, PROPELLER BUSH	1	
27	57633-90J02	SPACER, PROPELLER NUT	1	
28	09141-18005	NUT	1	
29	09204-03003	PIN	1	
30	09160-18028	WASHER (18.5X31X1)	1	
31	55116-87E00	PLUG	1	OPT
32	57630-90J00	KIT, PROPELLER NUT	1	OPT
33	25700-90J01	SEALING KIT, GEAR CASE	1	OPT NOT ILLUSTRATED

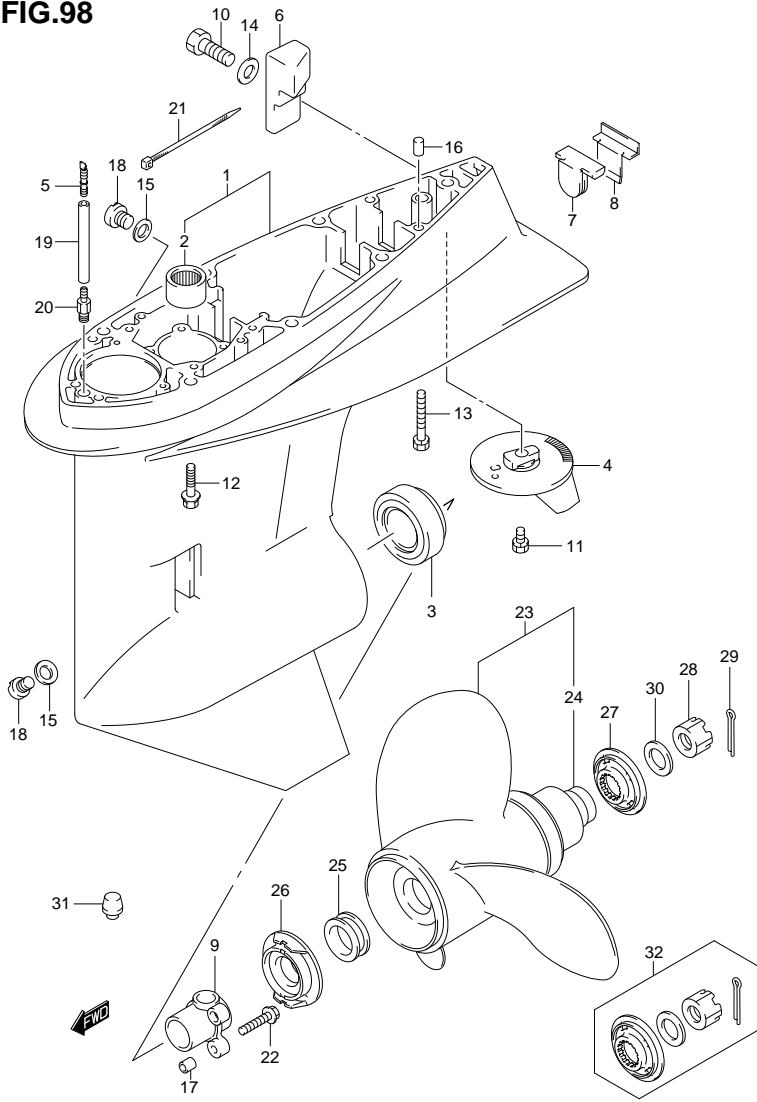


FIG.99

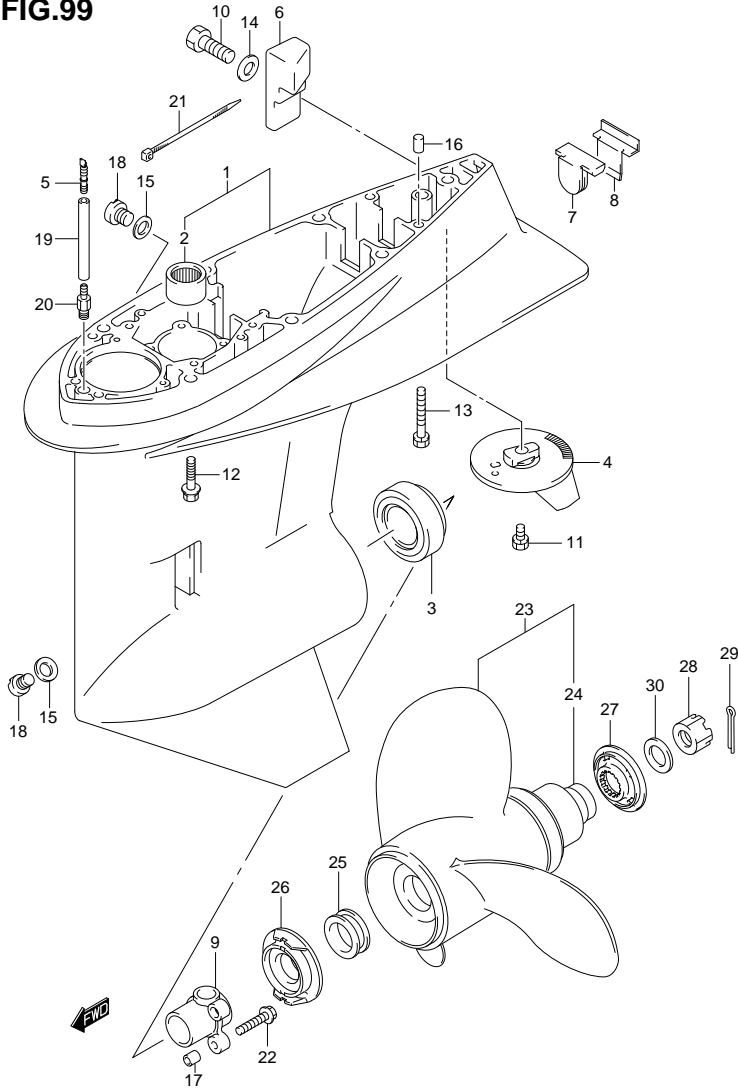


FIG. 99 (1-J-7) GEAR CASE (DF100T E40)

REF NO.	PART NO.	DESCRIPTION	Q'TY	REMARKS
1	55100-90803-OEP	CASE SET, GEAR (BLACK)	1	
2	09263-28016	·BEARING (28.6X38X31.8)	1	
3	09265-50003	·BEARING (50X85X26)	1	
4	55125-90J01	TAB, TRIM	1	
5	55127-87D00	UNION, SPEEDOMETER HOSE	1	
6	55321-90J01	ANODE, GEAR CASE	1	
7	55332-87D11	RUBBER, EXHAUST SEAL	1	
8	55333-87D10	PLATE, EXHAUST SEAL	1	
9	56145-90J20	HOUSING, SHIFT CAM	1	
10	09100-06131	BOLT (6X12)	1	
11	09116-08137	BOLT (8X22)	1	
12	09116-10150	BOLT (10X55)	6	
13	09117-10039	BOLT (10X80)	1	
14	09160-06085	WASHER (6.5X15X1)	1	
15	09168-10022	GASKET (10X17X1.5)	2	
16	09202-08006	PIN	2	
17	09206-09012	PIN	2	
18	09248-10008	PLUG	2	
19-1	09355-40805-00B	HOSE (4X8X2000)	1	TRANSOM(L) L:2000->1100
19-2	09355-40805-00B	HOSE (4X8X2000)	1	TRANSOM(X) L:2000->1100
20	09362-09008	UNION	1	
21	09407-10404	CLAMP (L:100)	2	
22	01550-06257	BOLT	3	

FIG.99

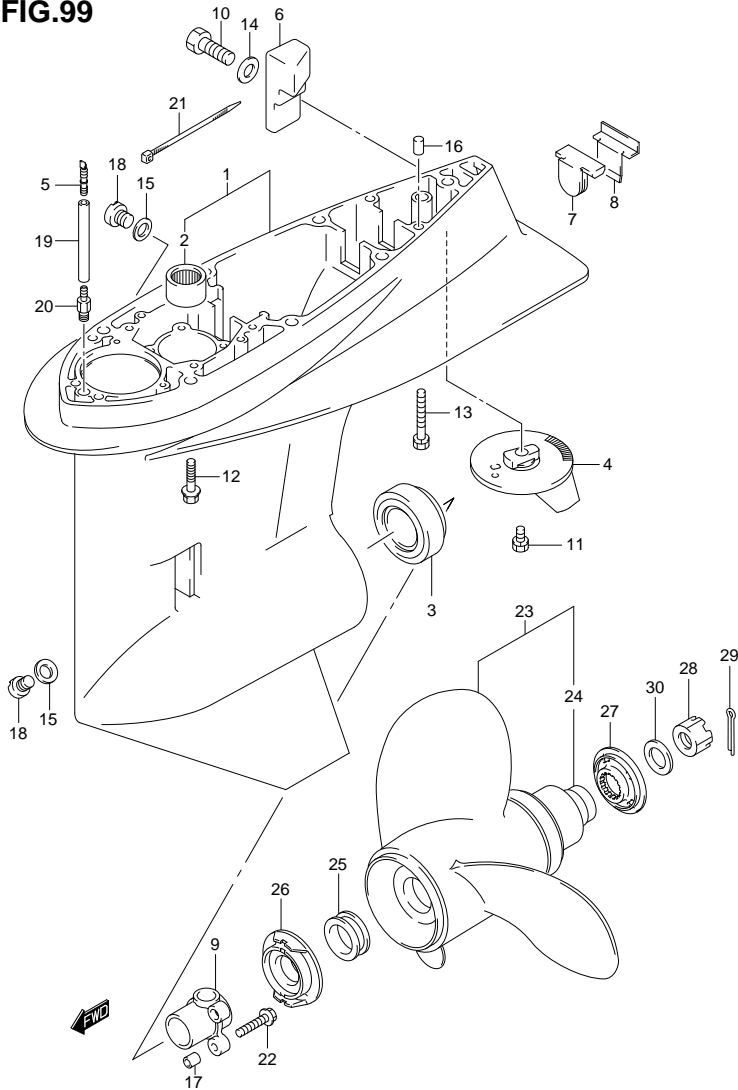


FIG. 99 (1-J-8) GEAR CASE (DF100T E40)

REF NO.	PART NO.	DESCRIPTION	Q' TY	REMARKS
23-1	58100-90J01-019	PROPELLER (3X14X17) (BLACK)	1	
23-2	58100-90J11-019	PROPELLER (3X14X19) (BLACK)	1	
23-3	58100-90J21-019	PROPELLER (3X14X21) (BLACK)	1	
23-4	58100-90J31-019	PROPELLER (3X14X23) (BLACK)	1	
23-5	58100-90J41-019	PROPELLER (3X13.5X15) (BLACK)	1	
24	58120-90J00	BUSH	1	
25	57632-90J00	SPACER, PROPELLER STOPPER	1	
26	57635-90J01	STOPPER, PROPELLER BUSH	1	
27	57633-90J02	SPACER, PROPELLER NUT	1	
28	09141-18005	NUT	1	
29	09204-03003	PIN	1	
30	09160-18028	WASHER (18.5X31X1)	1	
31	25700-90J01	SEALING KIT, GEAR CASE	1	OPT NOT ILLUSTRATED

FIG.100

FIG.100 (1-J-9) GEAR CASE (DF115T E1)

REF. NO.	PART NO.	DESCRIPTION	Q'TY	REMARKS
1	55100-90803-OEP	CASE SET, GEAR (BLACK)	1	
2	09263-28016	·BEARING (28.6X38X31.8)	1	
3	09265-50003	·BEARING (50X85X26)	1	
4	55125-90J01	TAB, TRIM	1	
5	55127-87D00	UNION, SPEEDOMETER HOSE	1	
6	55321-90J01	ANODE, GEAR CASE	1	
7	55332-87D11	RUBBER, EXHAUST SEAL	1	
8	55333-87D10	PLATE, EXHAUST SEAL	1	
9	56145-90J20	HOUSING, SHIFT CAM	1	
10	09100-06131	BOLT (6X12)	1	
11	09116-08137	BOLT (8X22)	1	
12	09116-10150	BOLT (10X55)	6	
13	09117-10039	BOLT (10X80)	1	
14	09160-06085	WASHER (6.5X15X1)	1	
15	09168-10022	GASKET (10X17X1.5)	2	
16	09202-08006	PIN	2	
17	09206-09012	PIN	2	
18	09248-10008	PLUG	2	
19-1	09355-40805-00B	HOSE (4X8X2000)	1	TRANSOM(L) L:2000->1100
19-2	09355-40805-00B	HOSE (4X8X2000)	1	TRANSOM(X) L:2000->1100
20	09362-09008	UNION	1	
21	09407-10404	CLAMP (L:100)	2	
22	01550-06257	BOLT	3	

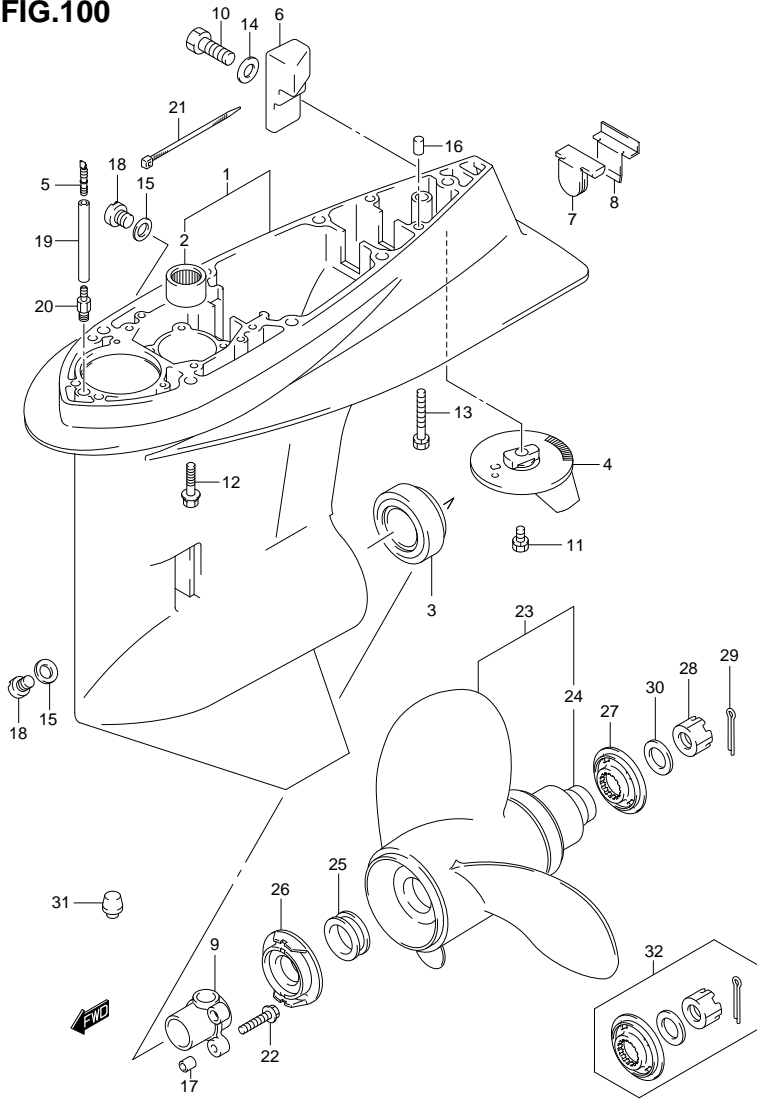


FIG.100

FIG.100 (1-J-10) GEAR CASE (DF115T E1)

REF. NO.	PART NO.	DESCRIPTION	Q' TY	REMARKS
23-1	58100-90J01-019	PROPELLER (3X14X17) (BLACK)	1	
23-2	58100-90J11-019	PROPELLER (3X14X19) (BLACK)	1	
23-3	58100-90J21-019	PROPELLER (3X14X21) (BLACK)	1	
23-4	58100-90J31-019	PROPELLER (3X14X23) (BLACK)	1	
23-5	58100-90J41-019	PROPELLER (3X13.5X15) (BLACK)	1	
23-6	58200-90J00	PROPELLER (3X14.25X18)	1	OPT
23-7	58200-90J10	PROPELLER (3X14.25X20)	1	OPT
23-8	58200-90J20	PROPELLER (3X14.25X22)	1	OPT
23-9	58200-90J30	PROPELLER (3X14.25X24)	1	OPT
24	58120-90J00	·BUSH	1	
25	57632-90J00	SPACER, PROPELLER STOPPER	1	
26	57635-90J01	STOPPER, PROPELLER BUSH	1	
27	57633-90J02	SPACER, PROPELLER NUT	1	
28	09141-18005	NUT	1	
29	09204-03003	PIN	1	
30	09160-18028	WASHER (18.5X31X1)	1	
31	55116-87E00	PLUG	1	OPT
32	57630-90J00	KIT, PROPELLER NUT	1	OPT
33	25700-90J01	SEALING KIT, GEAR CASE	1	OPT NOT ILLUSTRATED

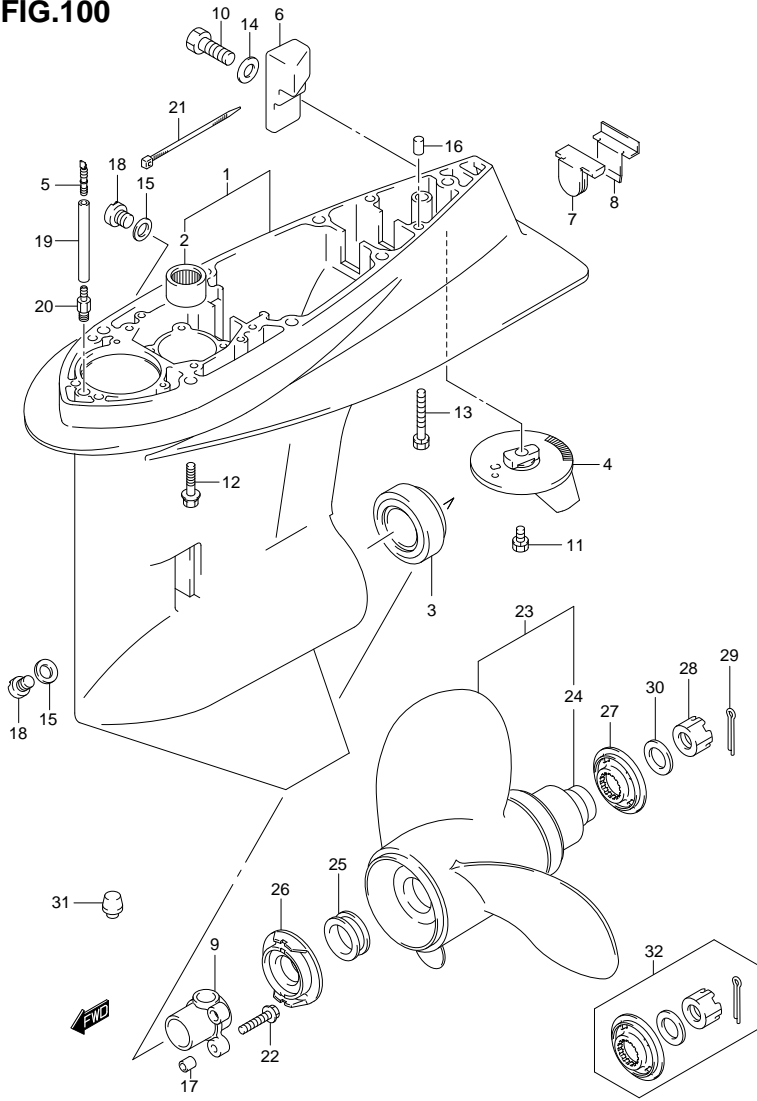


FIG.101

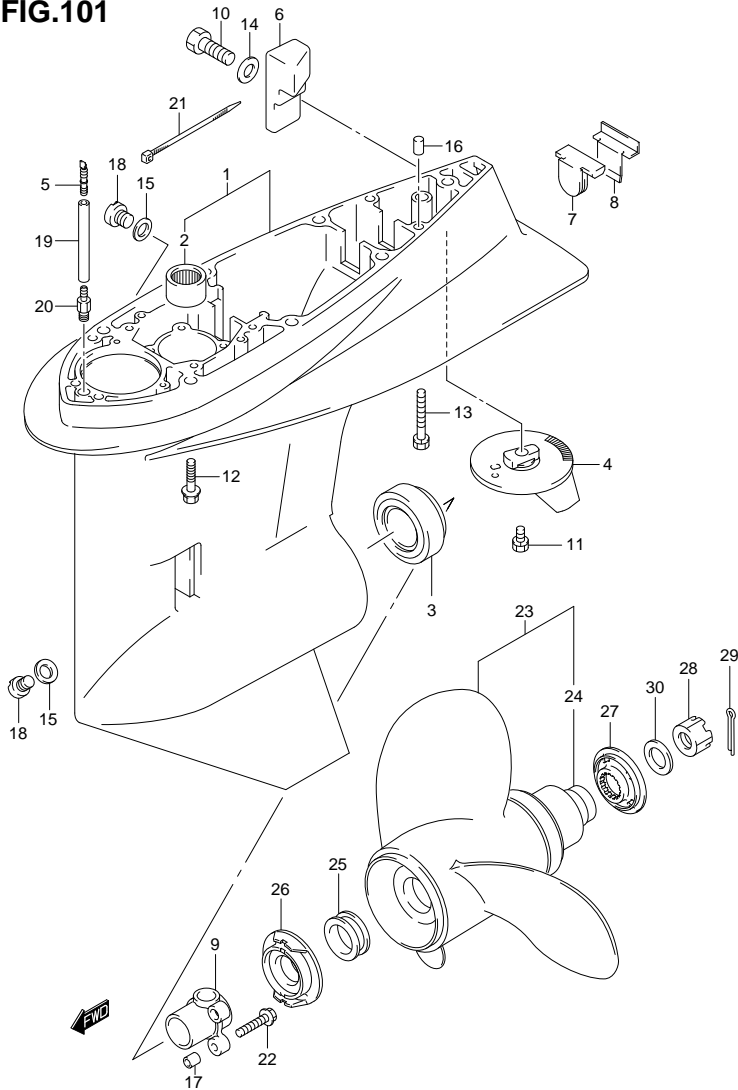


FIG.101 (1-J-11) GEAR CASE (DF115T E40)

REF. NO.	PART NO.	DESCRIPTION	Q'TY	REMARKS
1	55100-90803-OEP	CASE SET, GEAR (BLACK)	1	
2	09263-28016	·BEARING (28.6X38X31.8)	1	
3	09265-50003	·BEARING (50X85X26)	1	
4	55125-90J01	TAB, TRIM	1	
5	55127-87D00	UNION, SPEEDOMETER HOSE	1	
6	55321-90J01	ANODE, GEAR CASE	1	
7	55332-87D11	RUBBER, EXHAUST SEAL	1	
8	55333-87D10	PLATE, EXHAUST SEAL	1	
9	56145-90J20	HOUSING, SHIFT CAM	1	
10	09100-06131	BOLT (6X12)	1	
11	09116-08137	BOLT (8X22)	1	
12	09116-10150	BOLT (10X55)	6	
13	09117-10039	BOLT (10X80)	1	
14	09160-06085	WASHER (6.5X15X1)	1	
15	09168-10022	GASKET (10X17X1.5)	2	
16	09202-08006	PIN	2	
17	09206-09012	PIN	2	
18	09248-10008	PLUG	2	
19-1	09355-40805-00B	HOSE (4X8X2000)	1	TRANSOM(L) L:2000->1100
19-2	09355-40805-00B	HOSE (4X8X2000)	1	TRANSOM(X) L:2000->1100
20	09362-09008	UNION	1	
21	09407-10404	CLAMP (L:100)	2	
22	01550-06257	BOLT	3	

FIG.101

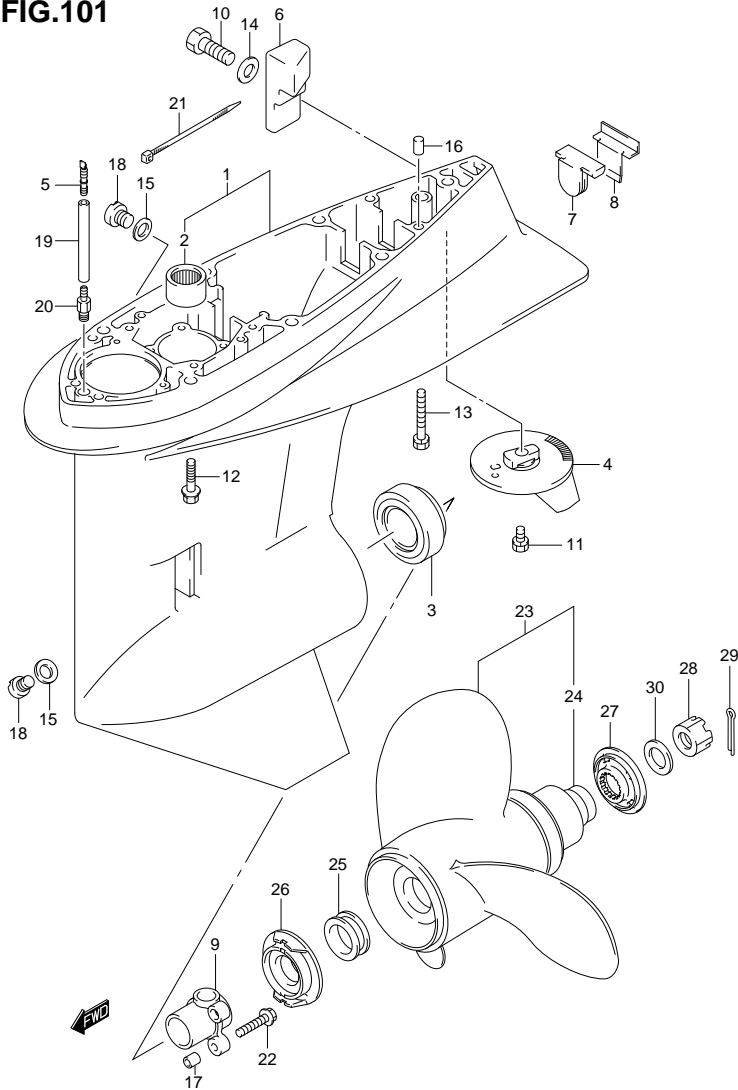


FIG.101 (1-J-12) GEAR CASE (DF115T E40)

REF. NO.	PART NO.	DESCRIPTION	QTY	REMARKS
23-1	58100-90J01-019	PROPELLER (3X14X17) (BLACK)	1	
23-2	58100-90J11-019	PROPELLER (3X14X19) (BLACK)	1	
23-3	58100-90J21-019	PROPELLER (3X14X21) (BLACK)	1	
23-4	58100-90J31-019	PROPELLER (3X14X23) (BLACK)	1	
23-5	58100-90J41-019	PROPELLER (3X13.5X15) (BLACK)	1	
24	58120-90J00	BUSH	1	
25	57632-90J00	SPACER, PROPELLER STOPPER	1	
26	57635-90J01	STOPPER, PROPELLER BUSH	1	
27	57633-90J02	SPACER, PROPELLER NUT	1	
28	09141-18005	NUT	1	
29	09204-03003	PIN	1	
30	09160-18028	WASHER (18.5X31X1)	1	
31	25700-90J01	SEALING KIT, GEAR CASE	1	OPT NOT ILLUSTRATED

FIG.102

FIG.102 (1-J-13) GEAR CASE (DF115Z E1)

REF. NO.	PART NO.	DESCRIPTION	Q'TY	REMARKS
1	55110-92J00-0EP	CASE, GEAR (BLACK)	1	
2	09263-28016	·BEARING (28.6X38X31.8)	1	
3	09265-50003	·BEARING (50X85X26)	1	
4	55125-92J00	TAB, TRIM	1	
5	55127-87D00	UNION, SPEEDOMETER HOSE	1	
6	55321-90J01	ANODE, GEAR CASE	1	
7	55332-87D11	RUBBER, EXHAUST SEAL	1	
8	55333-87D10	PLATE, EXHAUST SEAL	1	
9	09100-06131	BOLT (6X12)	1	
10	09116-08137	BOLT (8X22)	1	
11	09116-10150	BOLT (10X55)	6	
12	09117-10039	BOLT (10X80)	1	
13	09160-06085	WASHER (6.5X15X1)	1	
14	09168-10022	GASKET (10X17X1.5)	2	
15	09202-08006	PIN	2	
16	09248-10008	PLUG	2	
17-1	09355-40805-00B	HOSE (4X8X2000)	1	TRANSOM(L) L:2000->1100
17-2	09355-40805-00B	HOSE (4X8X2000)	1	TRANSOM(X) L:2000->1100
18	09362-09008	UNION	1	
19	09407-10404	CLAMP (L:100)	2	

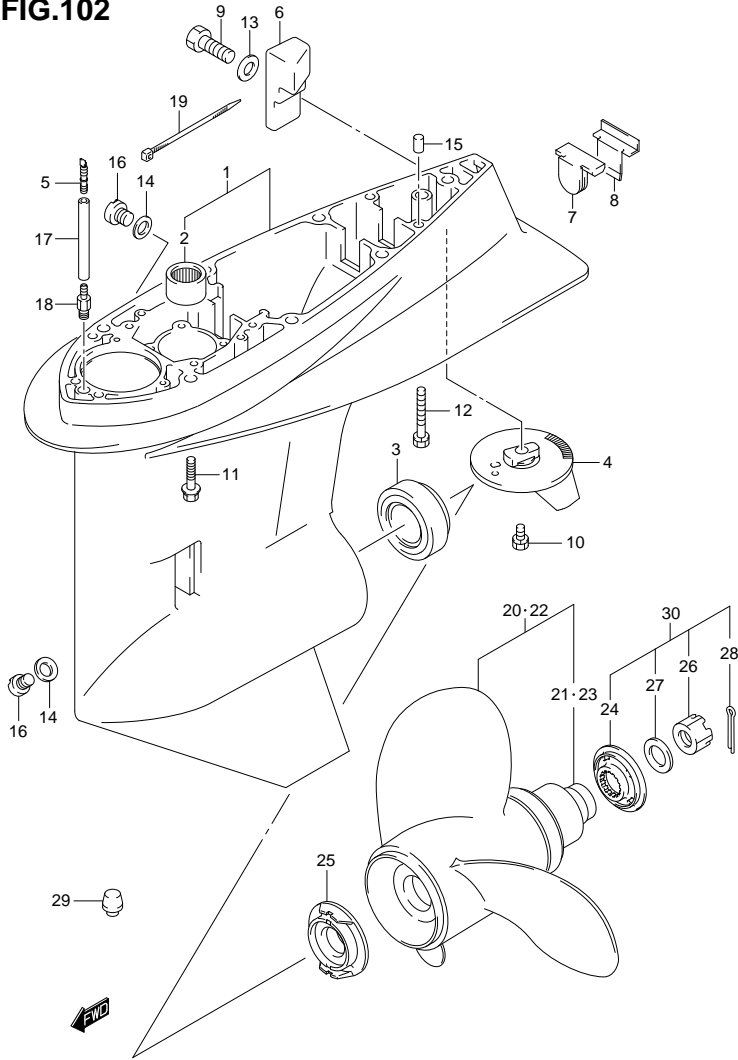


FIG.102

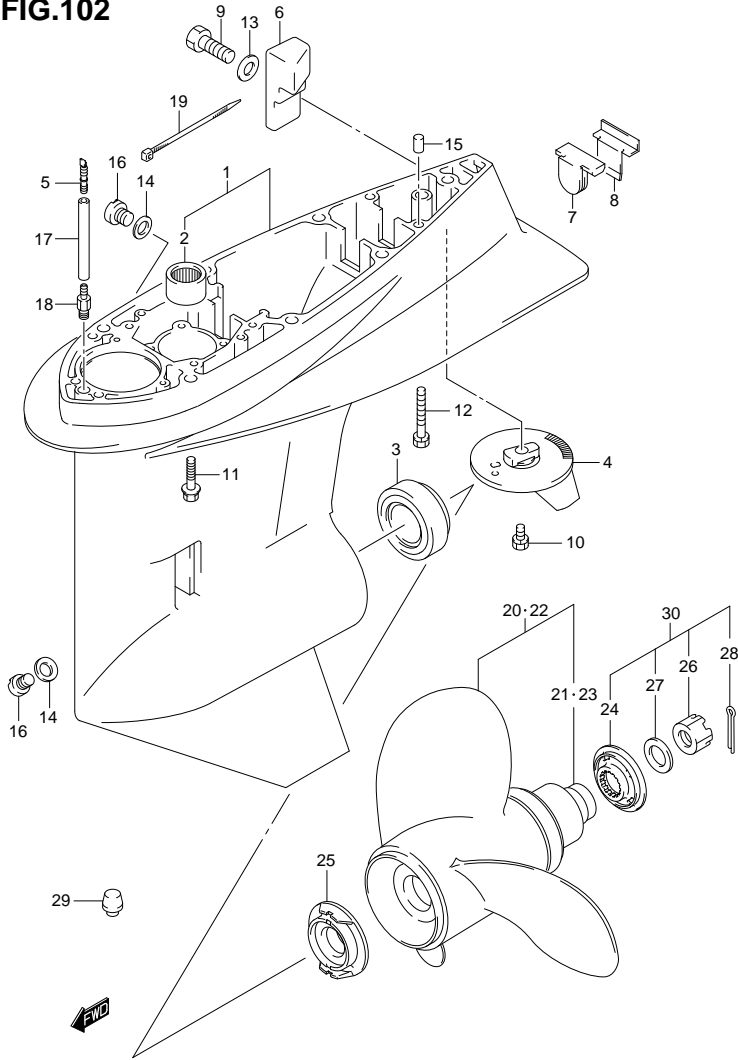


FIG.102 (1-J-14) GEAR CASE (DF1157 E1)

REF. NO.	PART NO.	DESCRIPTION	Q'TY	REMARKS
20-1	58200-90J00	PROPELLER (3X14.25X18)	1	OPT
20-2	58200-90J10	PROPELLER (3X14.25X20)	1	OPT
20-3	58200-90J20	PROPELLER (3X14.25X22)	1	OPT
20-4	58200-90J30	PROPELLER (3X14.25X24)	1	OPT
21	58120-90J00	·BUSH	1	OPT
22-1	58200-92J00	PROPELLER (3X14.25X18)	1	OPT COUNTER ROTATION
22-2	58200-92J10	PROPELLER (3X14.25X20)	1	OPT COUNTER ROTATION
22-3	58200-92J20	PROPELLER (3X14.25X22)	1	OPT COUNTER ROTATION
22-4	58200-92J30	PROPELLER (3X14.25X24)	1	OPT COUNTER ROTATION
23	58120-90J00	·BUSH	1	OPT
24	57633-90J02	SPACER, PROPELLER	1	
25	57635-92J01	STOPPER, PROPELLER BUSH	1	
26	09141-18005	NUT	1	
27	09160-18028	WASHER (18.5X31X1)	1	
28	09204-03003	PIN	1	
29	55116-87E00	PLUG	1	OPT
30	57630-90J00	KIT, PROPELLER NUT	1	OPT
31	25700-90J01	SEALING KIT, GEAR CASE	1	OPT NOT ILLUSTRATED

FIG.103

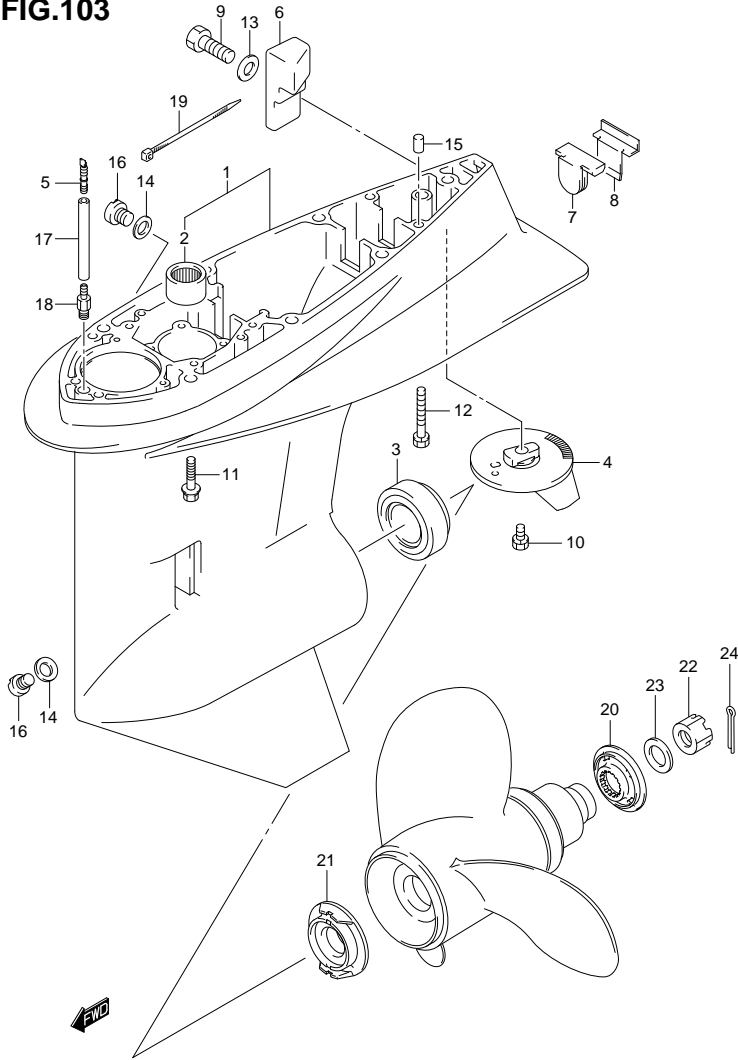


FIG.103 (1-J-15) GEAR CASE (DF1157 E40)

REF NO.	PART NO.	DESCRIPTION	Q' TY	REMARKS
1	55110-92J00-OEP	CASE, GEAR (BLACK)	1	
2	09263-28016	·BEARING (28.6X38X31.8)	1	
3	09265-50003	·BEARING (50X85X26)	1	
4	55125-92J00	TAB, TRIM	1	
5	55127-87D00	UNION, SPEEDOMETER HOSE	1	
6	55321-90J01	ANODE, GEAR CASE	1	
7	55332-87D11	RUBBER, EXHAUST SEAL	1	
8	55333-87D10	PLATE, EXHAUST SEAL	1	
9	09100-06131	BOLT (6X12)	1	
10	09116-08137	BOLT (8X22)	1	
11	09116-10150	BOLT (10X55)	6	
12	09117-10039	BOLT (10X80)	1	
13	09160-06085	WASHER (6.5X15X1)	1	
14	09168-10022	GASKET (10X17X1.5)	2	
15	09202-08006	PIN	2	
16	09248-10008	PLUG	2	
17-1	09355-40805-00B	HOSE (4X8X2000)	1	TRANSOM(L) L:2000->1100
17-2	09355-40805-00B	HOSE (4X8X2000)	1	TRANSOM(X) L:2000->1100
18	09362-09008	UNION	1	
19	09407-10404	CLAMP (L:100)	2	
20	57633-90J02	SPACER, PROPELLER	1	
21	57635-92J01	STOPPER, PROPELLER BUSH	1	
22	09141-18005	NUT	1	
23	09160-18028	WASHER (18.5X31X1)	1	
24	09204-03003	PIN	1	
25	25700-90J01	SEALING KIT, GEAR CASE	1	OPT NOT ILLUSTRATED

FIG.104

FIG.104 (1-K-2) SIDE COVER

REF. NO.	PART NO.	DESCRIPTION	Q' TY	REMARKS
1	61112-90J00	RUBBER, SIDE COVER	1	
2	61134-90J10	SEAL, SIDE COVER	1	
3	61810-90J01-0EP	COVER, SIDE STBD (BLACK)	1	
4	61817-89J00	PLUG, SIDE COVER	1	
5	61820-90J01-0EP	COVER, SIDE PORT (BLACK)	1	
6	61827-90J00	HOLDER, SIDE COVER	1	
7	61831-90J11-0EP	PANEL, FRONT (BLACK)	1	
8	09118-08127	BOLT (8X40)	2	
9	09136-06148	SCREW (6X35)	7	
10	09136-06149	SCREW (6X55)	2	
11	09169-08039	WASHER	2	
12	09320-11013	CUSHION	2	
13	09321-08022	CUSHION	2	
14	09409-05302-5PK	CLIP (BLACK)	2	
15	61633-90J02-0EP	LEVER, HOOK REAR (BLACK)	1	
16	61633-90J02-0EP	LEVER, HOOK REAR (BLACK)	1	
17	61637-90J02	HOOK, ENGINE COVER REAR STBD	1	
18	61638-90J02	HOOK, ENGINE COVER REAR PORT	1	
19	61641-87D00	HOOK, ENGINE COVER FR	1	

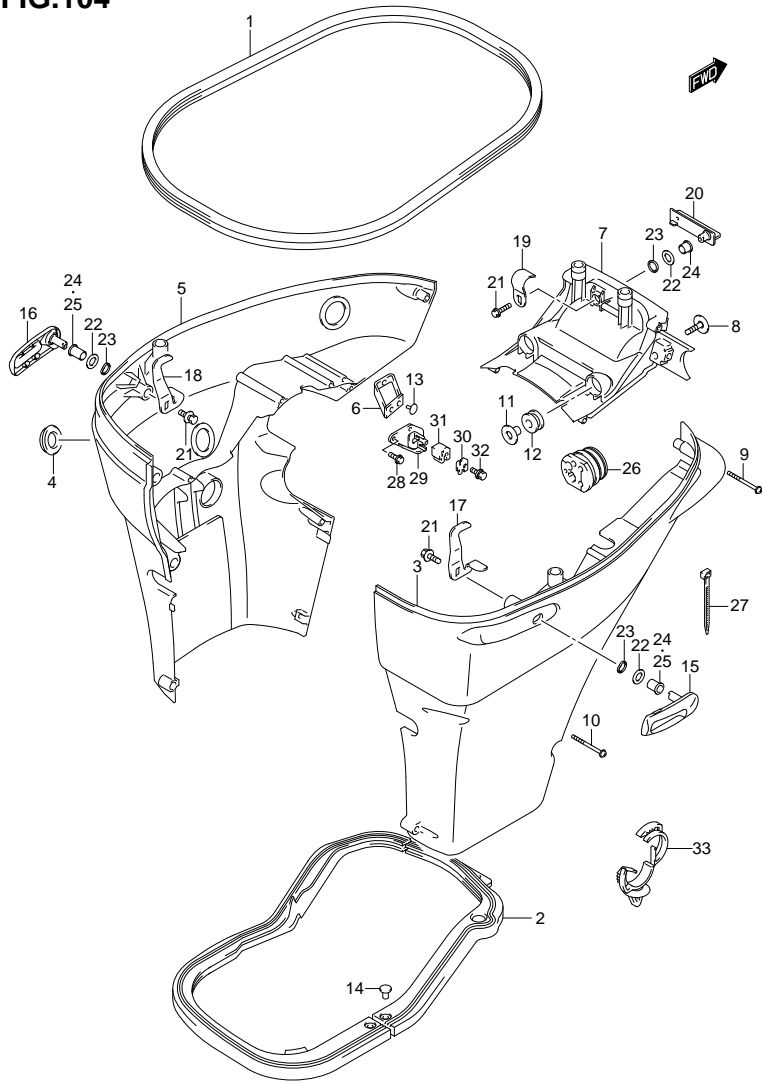


FIG.104

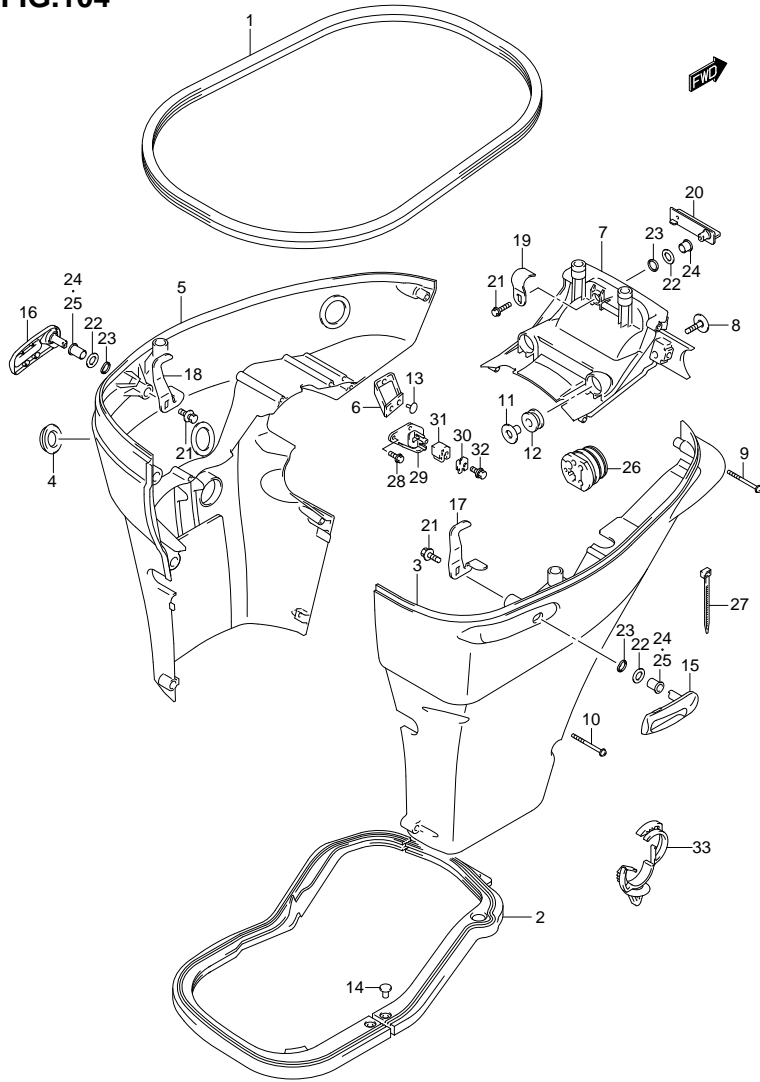


FIG.104 (1-K-3) SIDE COVER

REF NO.	PART NO.	DESCRIPTION	Q'TY	REMARKS
20	61645-90J01-OEP	LEVER, HOOK FR (BLACK)	1	
21	09116-06127	BOLT (6X12)	3	
22	09160-13014	WASHER (13.2X25X1)	3	
23	09164-14008	WASHER	3	
24	09307-13006	BUSH	1	FRONT
25	09306-13008	BUSH	2	REAR
26	61124-90J30	GROMMET, REMOCON CABLE	1	
27	09407-25402	CLAMP (L:248)	1	
28	01550-06167	BOLT	2	
29	67341-90J32	HOLDER, REMOCON CABLE	1	
30	67343-90J20	STOPPER, REMOCON CABLE	1	
31	67344-90J00	CUSHION, REMOCON CABLE HLDR	1	
32	01580-08257	BOLT	1	
33	09403-20308	CLAMP	1	

FIG.105

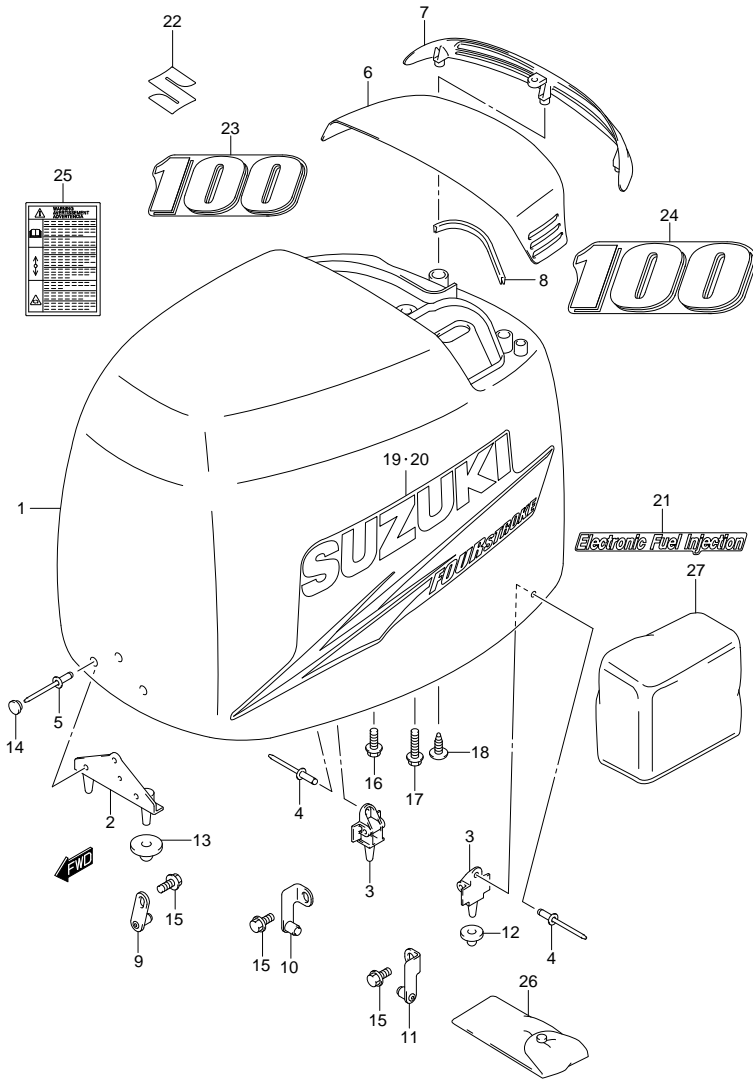


FIG.105 (1-K-4) ENGINE COVER (DF100T E1)

REF. NO.	PART NO.	DESCRIPTION	Q'TY	REMARKS
1	61400-90843-0EP	COVER SET, ENGINE (BLACK)	1	
2	61621-87D02	·BRACKET, FASTENER FRONT	1	
3	61644-90J00	·BRACKET, FASTENER REAR	2	
4	09229-04025	·RIVET	4	
5	09229-04046	·RIVET	3	
6	61431-90J01-0EP	·HANDLE, TILT UP (BLACK)	1	
7	61432-90J00	·LOUVER, TILT UP HANDLE	1	
8	61439-90J00	·SEAL, TILT UP HANDLE	1	
9	61610-93J00	·FASTENER	1	
10	61680-90J00	·FASTENER, REAR STBD	1	
11	61690-90J00	·FASTENER, REAR PORT	1	
12	09329-10022	·CUSHION	2	
13	09329-10023	·CUSHION	2	
14	09250-12013	·CAP	3	
15	01550-06127	·BOLT	3	
16	01550-06167	·BOLT	4	
17	01550-06257	·BOLT	1	
18	03542-06169	·SCREW	3	
19	61443-90J42	·STRIPE, ENGINE COVER STBD	1	
20	61453-90J42	·STRIPE, ENGINE COVER PORT	1	
21	61446-87L11	·DECAL, EFI	1	
22	68111-18G20	·EMBLEM (S)	1	
23	61422-90J22	MARK, EMBLEM FRONT (100)	1	
24	61435-90J72	MARK, EMBLEM REAR (100)	1	
25	61458-99E40	LABEL, ENGINE COVER	1	
26	09800-81840	TOOL SET	1	
27	68110-87D01	COVER, WEATHER	1	OPT

FIG.106

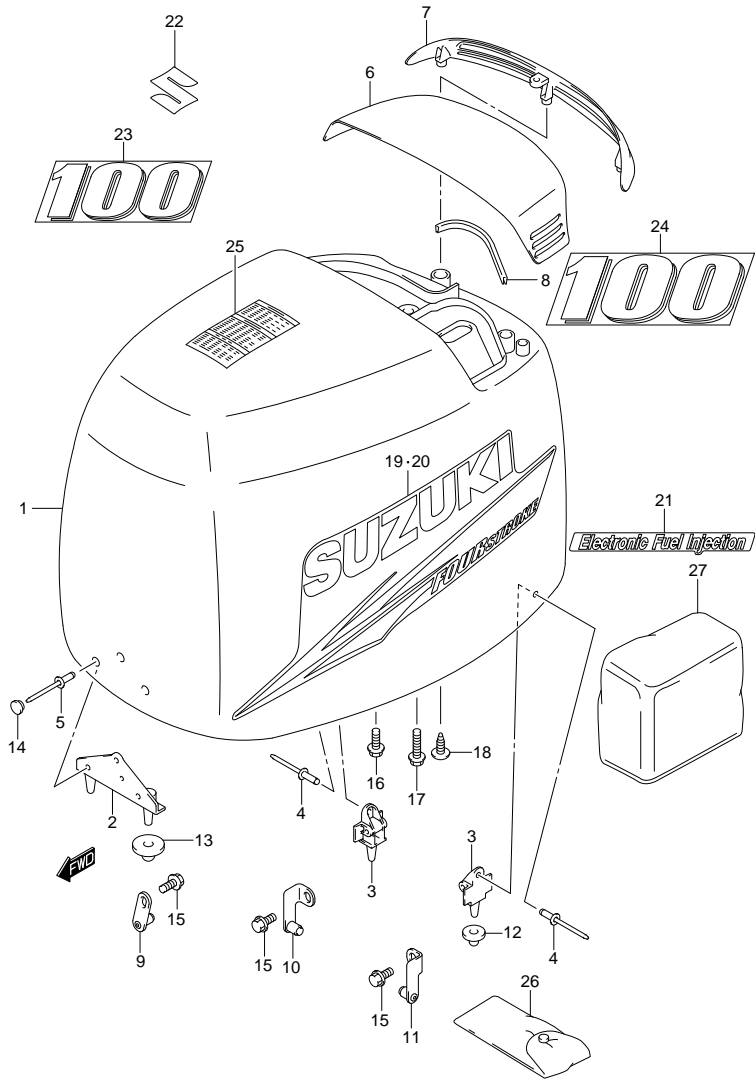


FIG.106 (1-K-5) ENGINE COVER (DF100T E40)

REF. NO.	PART NO.	DESCRIPTION	Q' TY	REMARKS
1	61400-90843-0EP	COVER SET, ENGINE (BLACK)	1	
2	61621-87D02	·BRACKET, FASTENER FRONT	1	
3	61644-90J00	·BRACKET, FASTENER REAR	2	
4	09229-04025	·RIVET	4	
5	09229-04046	·RIVET	3	
6	61431-90J01-0EP	·HANDLE, TILT UP (BLACK)	1	
7	61432-90J00	·LOUVER, TILT UP HANDLE	1	
8	61439-90J00	·SEAL, TILT UP HANDLE	1	
9	61610-93J00	·FASTENER	1	
10	61680-90J00	·FASTENER, REAR STBD	1	
11	61690-90J00	·FASTENER, REAR PORT	1	
12	09329-10022	·CUSHION	2	
13	09329-10023	·CUSHION	2	
14	09250-12013	·CAP	3	
15	01550-06127	·BOLT	3	
16	01550-06167	·BOLT	4	
17	01550-06257	·BOLT	1	
18	03542-06169	·SCREW	3	
19	61443-90J42	·STRIPE, ENGINE COVER STBD	1	
20	61453-90J42	·STRIPE, ENGINE COVER PORT	1	
21	61446-87L11	·DECAL, EFI	1	
22	68111-18G20	·EMBLEM (S)	1	
23	61422-90J22	MARK, EMBLEM FRONT (100)	1	
24	61435-90J72	MARK, EMBLEM REAR (100)	1	
25	61458-99E31	LABEL, ENGINE COVER	1	
26	09800-81840	TOOL SET	1	
27	68110-87D01	COVER, WEATHER	1	OPT

FIG.107

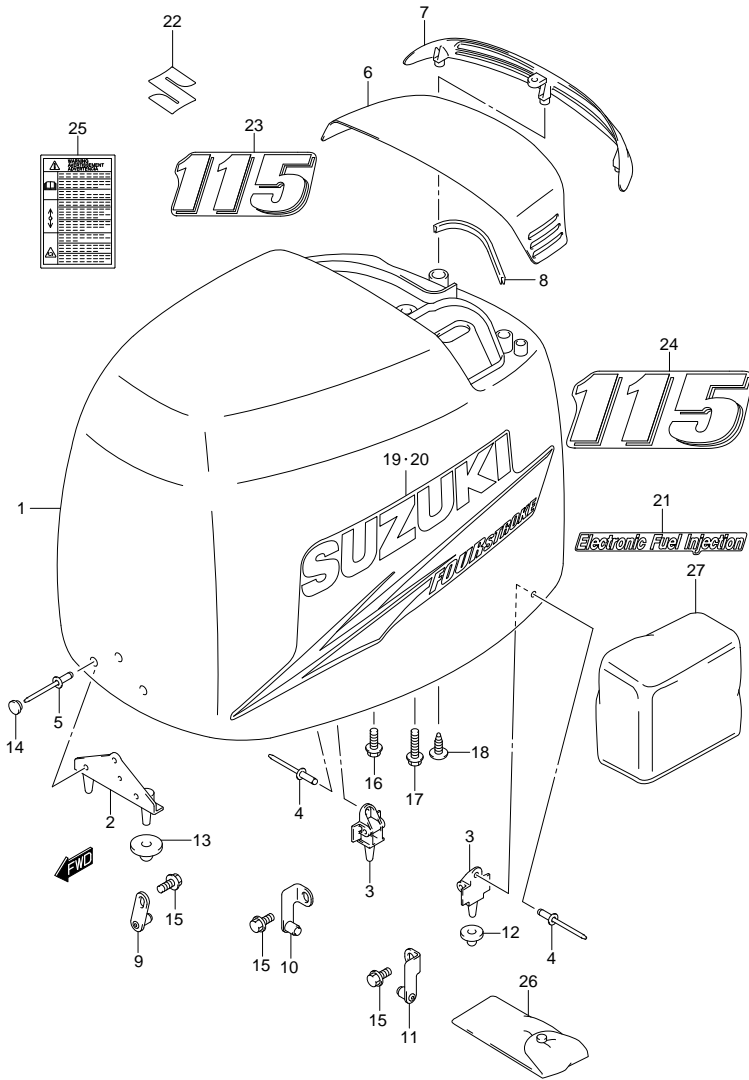


FIG.107 (1-K-6) ENGINE COVER (DF115T E1)

REF. NO.	PART NO.	DESCRIPTION	Q'TY	REMARKS
1	61400-90843-0EP	COVER SET, ENGINE (BLACK)	1	
2	61621-87D02	·BRACKET, FASTENER FRONT	1	
3	61644-90J00	·BRACKET, FASTENER REAR	2	
4	09229-04025	·RIVET	4	
5	09229-04046	·RIVET	3	
6	61431-90J01-0EP	·HANDLE, TILT UP (BLACK)	1	
7	61432-90J00	·LOUVER, TILT UP HANDLE	1	
8	61439-90J00	·SEAL, TILT UP HANDLE	1	
9	61610-93J00	·FASTENER	1	
10	61680-90J00	·FASTENER, REAR STBD	1	
11	61690-90J00	·FASTENER, REAR PORT	1	
12	09329-10022	·CUSHION	2	
13	09329-10023	·CUSHION	2	
14	09250-12013	·CAP	3	
15	01550-06127	·BOLT	3	
16	01550-06167	·BOLT	4	
17	01550-06257	·BOLT	1	
18	03542-06169	·SCREW	3	
19	61443-90J42	·STRIPE, ENGINE COVER STBD	1	
20	61453-90J42	·STRIPE, ENGINE COVER PORT	1	
21	61446-87L11	·DECAL, EFI	1	
22	68111-18G20	·EMBLEM (S)	1	
23	61422-90J32	MARK, EMBLEM FRONT (115)	1	
24	61435-90J82	MARK, EMBLEM REAR (115)	1	
25	61458-99E40	LABEL, ENGINE COVER	1	
26	09800-81840	TOOL SET	1	
27	68110-87D01	COVER, WEATHER	1	OPT

FIG.108

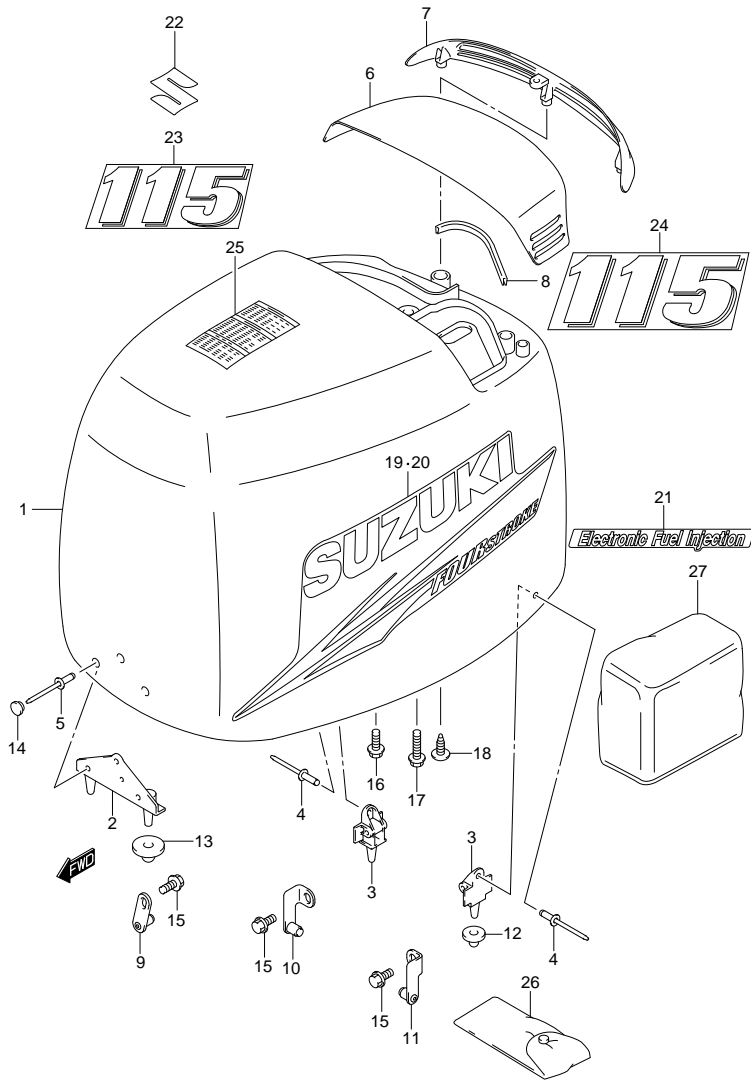


FIG.108 (1-K-7) ENGINE COVER (DF115T F40)

REF. NO.	PART NO.	DESCRIPTION	Q'TY	REMARKS
1	61400-90843-0EP	COVER SET, ENGINE (BLACK)	1	
2	61621-87D02	·BRACKET, FASTENER FRONT	1	
3	61644-90J00	·BRACKET, FASTENER REAR	2	
4	09229-04025	·RIVET	4	
5	09229-04046	·RIVET	3	
6	61431-90J01-0EP	·HANDLE, TILT UP (BLACK)	1	
7	61432-90J00	·LOUVER, TILT UP HANDLE	1	
8	61439-90J00	·SEAL, TILT UP HANDLE	1	
9	61610-93J00	·FASTENER	1	
10	61680-90J00	·FASTENER, REAR STBD	1	
11	61690-90J00	·FASTENER, REAR PORT	1	
12	09329-10022	·CUSHION	2	
13	09329-10023	·CUSHION	2	
14	09250-12013	·CAP	3	
15	01550-06127	·BOLT	3	
16	01550-06167	·BOLT	4	
17	01550-06257	·BOLT	1	
18	03542-06169	·SCREW	3	
19	61443-90J42	·STRIPE, ENGINE COVER STBD	1	
20	61453-90J42	·STRIPE, ENGINE COVER PORT	1	
21	61446-87L11	·DECAL, EFI	1	
22	68111-18G20	·EMBLEM (S)	1	
23	61422-90J32	MARK, EMBLEM FRONT (115)	1	
24	61435-90J82	MARK, EMBLEM REAR (115)	1	
25	61458-99E31	LABEL, ENGINE COVER	1	
26	09800-81840	TOOL SET	1	
27	68110-87D01	COVER, WEATHER	1	OPT

FIG.109

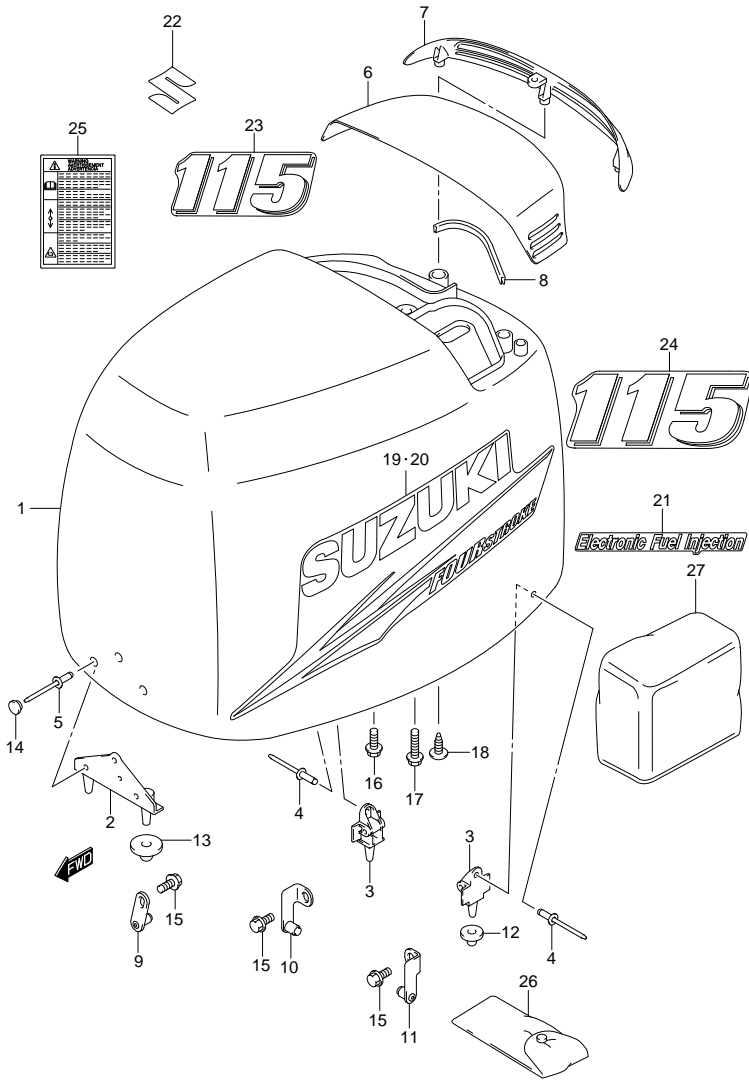


FIG.109 (1-K-8) ENGINE COVER (DF115Z E1)

REF NO.	PART NO.	DESCRIPTION	Q'TY	REMARKS
1	61400-90843-0EP	COVER SET, ENGINE (BLACK)	1	
2	61621-87D02	·BRACKET, FASTENER FRONT	1	
3	61644-90J00	·BRACKET, FASTENER REAR	2	
4	09229-04025	·RIVET	4	
5	09229-04046	·RIVET	3	
6	61431-90J01-0EP	·HANDLE, TILT UP (BLACK)	1	
7	61432-90J00	·LOUVER, TILT UP HANDLE	1	
8	61439-90J00	·SEAL, TILT UP HANDLE	1	
9	61610-93J00	·FASTENER	1	
10	61680-90J00	·FASTENER, REAR STBD	1	
11	61690-90J00	·FASTENER, REAR PORT	1	
12	09329-10022	·CUSHION	2	
13	09329-10023	·CUSHION	2	
14	09250-12013	·CAP	3	
15	01550-06127	·BOLT	3	
16	01550-06167	·BOLT	4	
17	01550-06257	·BOLT	1	
18	03542-06169	·SCREW	3	
19	61443-90J42	·STRIPE, ENGINE COVER STBD	1	
20	61453-90J42	·STRIPE, ENGINE COVER PORT	1	
21	61446-87L11	·DECAL, EFI	1	
22	68111-18G20	·EMBLEM (S)	1	
23	61422-90J32	MARK, EMBLEM FRONT (115)	1	
24	61435-90J82	MARK, EMBLEM REAR (115)	1	
25	61458-99E40	LABEL, ENGINE COVER	1	
26	09800-81840	TOOL SET	1	
27	68110-87D01	COVER, WEATHER	1	OPT

FIG.110

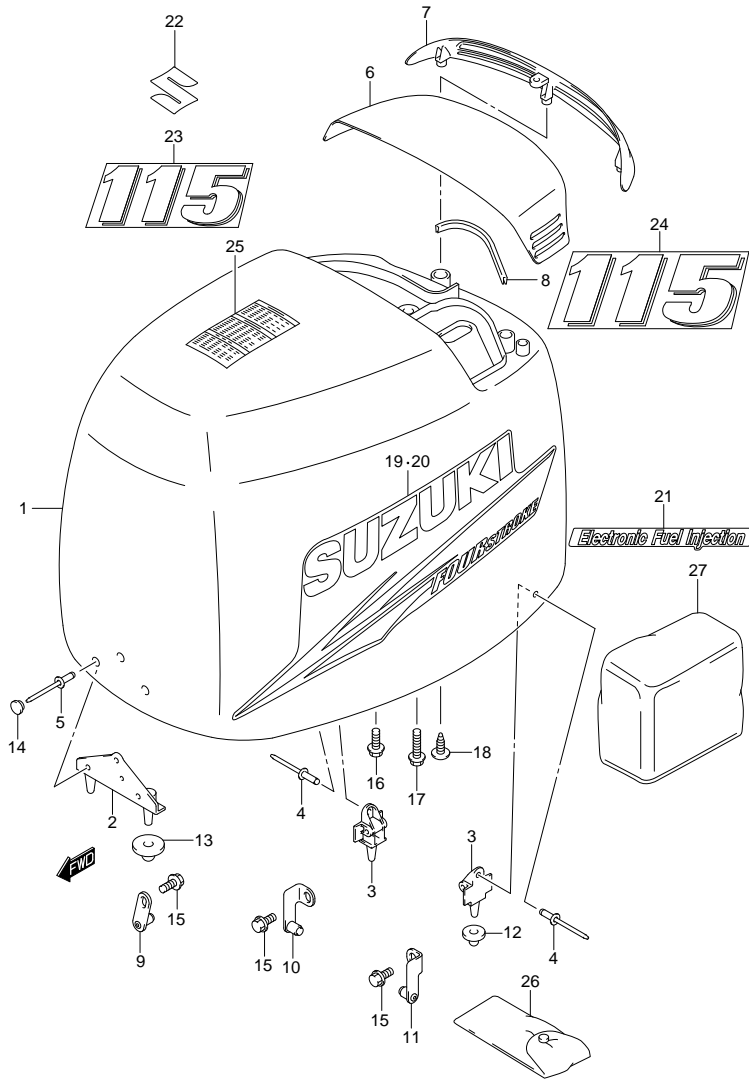


FIG.110 (1-K-9) ENGINE COVER (DF115Z F40)

REF. NO.	PART NO.	DESCRIPTION	Q'TY	REMARKS
1	61400-90843-0EP	COVER SET, ENGINE (BLACK)	1	
2	61621-87D02	·BRACKET, FASTENER FRONT	1	
3	61644-90J00	·BRACKET, FASTENER REAR	2	
4	09229-04025	·RIVET	4	
5	09229-04046	·RIVET	3	
6	61431-90J01-0EP	·HANDLE, TILT UP (BLACK)	1	
7	61432-90J00	·LOUVER, TILT UP HANDLE	1	
8	61439-90J00	·SEAL, TILT UP HANDLE	1	
9	61610-93J00	·FASTENER	1	
10	61680-90J00	·FASTENER, REAR STBD	1	
11	61690-90J00	·FASTENER, REAR PORT	1	
12	09329-10022	·CUSHION	2	
13	09329-10023	·CUSHION	2	
14	09250-12013	·CAP	3	
15	01550-06127	·BOLT	3	
16	01550-06167	·BOLT	4	
17	01550-06257	·BOLT	1	
18	03542-06169	·SCREW	3	
19	61443-90J42	·STRIPE, ENGINE COVER STBD	1	
20	61453-90J42	·STRIPE, ENGINE COVER PORT	1	
21	61446-87L11	·DECAL, EFI	1	
22	68111-18G20	·EMBLEM (S)	1	
23	61422-90J32	MARK, EMBLEM FRONT (115)	1	
24	61435-90J82	MARK, EMBLEM REAR (115)	1	
25	61458-99E31	LABEL, ENGINE COVER	1	
26	09800-81840	TOOL SET	1	
27	68110-87D01	COVER, WEATHER	1	OPT

FIG.111

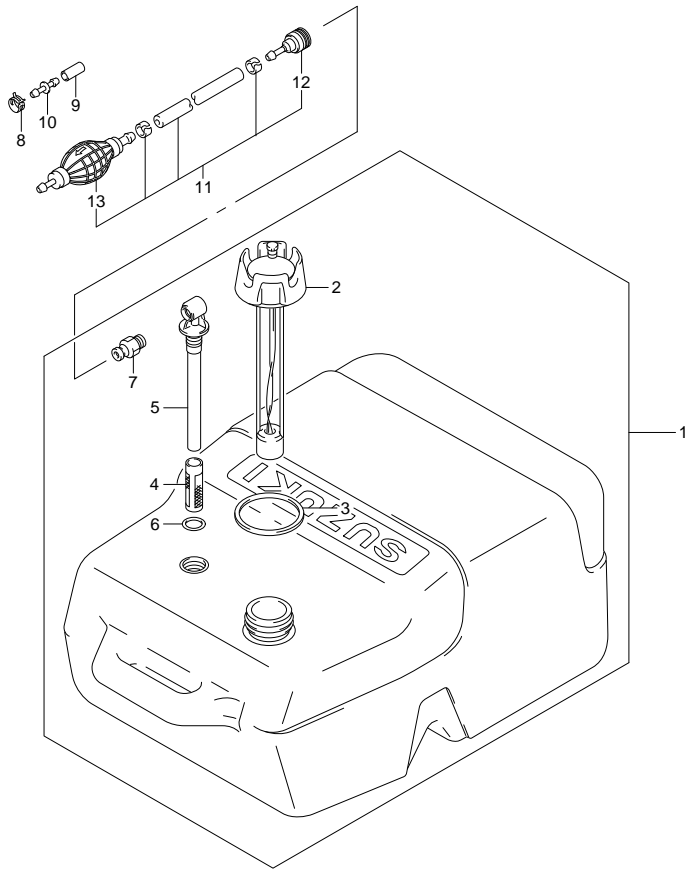


FIG.111 (1-K-10) FUEL TANK (PLASTIC)

REF NO.	PART NO.	DESCRIPTION	Q' TY	REMARKS
1	65000-95D01	TANK ASSY, FUEL (25L)	1	RESIN:25L
2	65520-95D00	·CAP ASSY, FUEL TANK	1	
3	65561-95D00	·GASKET, TANK CAP	1	
4	65831-95D00	·FILTER, OUTLET	1	
5	65890-95D00	·OUTLET ASSY	1	
6	65892-95D00	·O RING, FUEL OUTLET	1	
7	65740-95D01	·PLUG, FUEL CONNECTOR	1	
8	09401-11423	CLIP	1	
9	09251-07003	CAP	1	
10	09367-08001	JOINT	1	
11	65700-90J12	HOSE, FUEL (TANK TO ENGINE)	1	
12	65750-95500	·SOCKET, FUEL HOSE	1	
13	65770-95505	·PUMP, SQUEEZE	1	

FIG.112

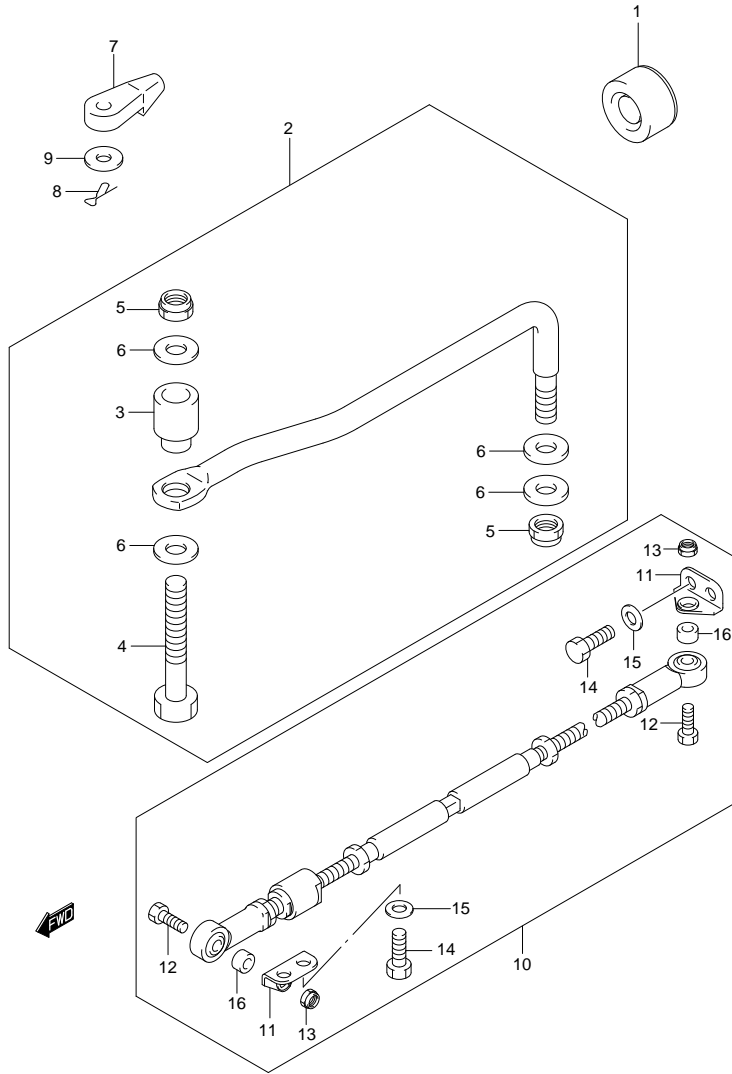


FIG.112 (1-K-11) DRAG LINK

REF NO.	PART NO.	DESCRIPTION	Q'TY	REMARKS
1	41161-94400	SEAL, STEERING CABLE	1	
2	67701-90J00	LINK, DRAG	1	
3	67721-99E00	·SPACER	1	
4	67725-99E00	·BOLT, DRAG LINK	1	
5	67726-99E00	·NUT	2	
6	67728-99E00	·WASHER	4	
7	67467-89J01	CONNECTOR, REMOCON CABLE	2	
8	09385-06012	CLIP	2	
9	09160-06055	WASHER (7X12X1)	2	
10	67600-90J00	KIT, TIE ROD	1	OPT
11	67631-90J00	·BRACKET, TIE ROD	2	OPT
12	67725-99E10	·BOLT	2	OPT
13	67726-99E00	·NUT	2	OPT
14	09100-12081	·BOLT (12X25)	4	OPT
15	09160-12066	·WASHER (12.5X22X2.5)	4	OPT
16	09180-09022	·SPACER (9.6X18X12)	2	OPT

FIG.113

FIG.113 (1-K-12) OPT:METER (1)

REF NO.	PART NO.	DESCRIPTION	Q' TY	REMARKS
1	34190-87D00	SENDER ASSY, SPEEDOMETER	1	
2	34190-95500	SENDER ASSY, SPEEDOMETER	1	
3	03112-06303	·SCREW	2	

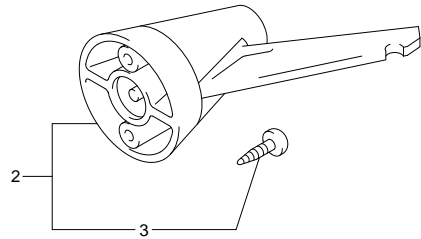
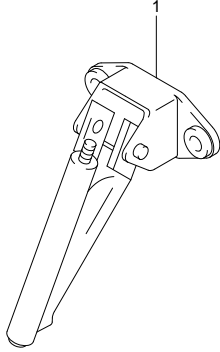


FIG.114

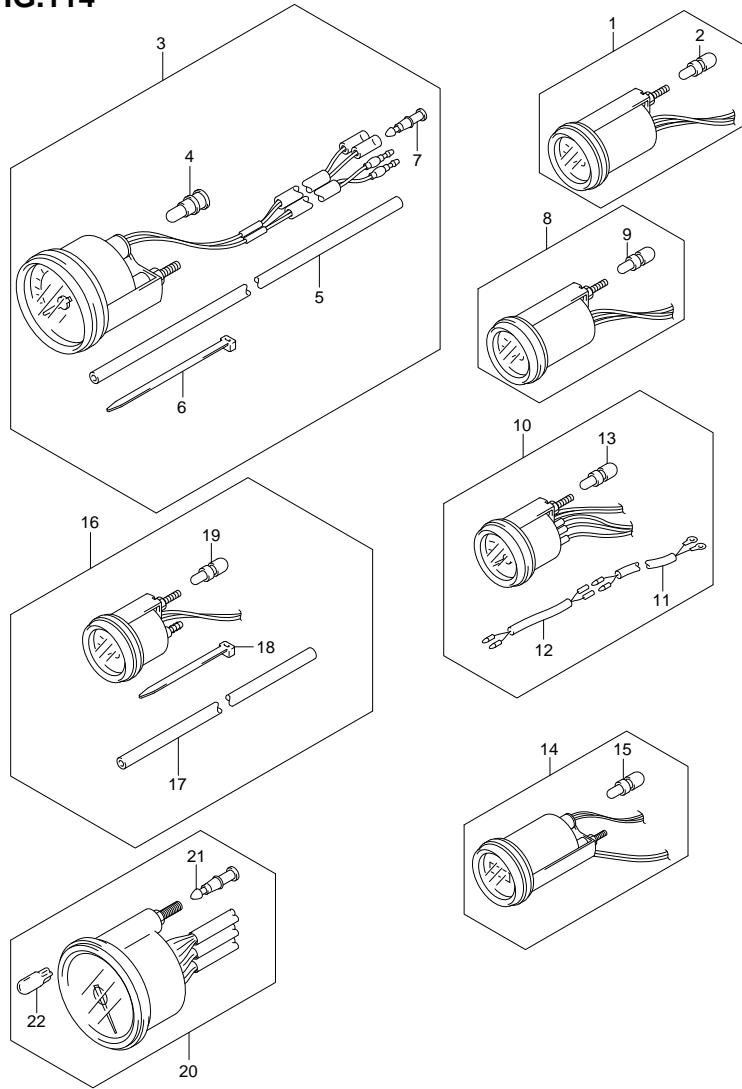


FIG.114 (1-K-13) OPT:METER (2)

REF NO.	PART NO.	DESCRIPTION	Q'TY	REMARKS
1-1	34800-93J00	METER ASSY, TRIM	1	BLACK
1-2	34800-93J11	METER ASSY, TRIM	1	WHITE
2	09471-12103	·BULB (12V3.4W,T6.5)	1	
3-1	34100-93J00	SPEEDOMETER ASSY	1	MAX 130KM/H BLACK
3-2	34100-93J11	SPEEDOMETER ASSY	1	MAX 130KM/H WHITE
3-3	34100-93J20	SPEEDOMETER ASSY	1	MAX 80KM/H BLACK
3-4	34100-93J31	SPEEDOMETER ASSY	1	MAX 80KM/H WHITE
3-5	34100-93J40	SPEEDOMETER ASSY	1	MAX 45KNOTS BLACK
3-6	34100-93J51	SPEEDOMETER ASSY	1	MAX 45KNOTS WHITE
3-7	34100-93J60	SPEEDOMETER ASSY	1	MAX 65KNOTS WHITE
4	09471-12028	·BULB (12V,3.4W,T10)	1	
5	34191-92E00	·TUBE	1	
6	09407-14407	·CLAMP (L:145)	2	
7	36615-96300	·TERMINAL, RESIN	2	
8-1	34600-93J00	METER ASSY, VOLTAGE	1	BLACK
8-2	34600-93J11	METER ASSY, VOLTAGE	1	WHITE
9	09471-12103	·BULB (12V3.4W,T6.5)	1	
10-1	34300-93J00	GAUGE ASSY, FUEL	1	BLACK
10-2	34300-93J11	GAUGE ASSY, FUEL	1	WHITE
11	34310-92E00	·LEAD, FUEL GAUGE	1	
12	34360-92E00	·ADAPTER, FUEL GAUGE	1	
13	09471-12103	·BULB (12V3.4W,T6.5)	1	
14-1	34500-93J00	METER ASSY, HOUR	1	BLACK
14-2	34500-93J11	METER ASSY, HOUR	1	WHITE
15	09471-12103	·BULB (12V3.4W,T6.5)	1	
16-1	34650-93J20	GAUGE ASSY, WATER PRESSURE	1	15PSI BLACK
16-2	34650-93J31	GAUGE ASSY, WATER PRESSURE	1	15PSI WHITE
17	34191-92E00	·TUBE	1	
18	09407-14407	·CLAMP (L:145)	2	
19	09471-12103	·BULB (12V3.4W,T6.5)	1	
20-1	34200-93J00	TACHOMETER ASSY, WITH MONITOR	1	BLACK
20-2	34200-93J11	TACHOMETER ASSY, WITH MONITOR	1	WHITE
21	36615-96300	·TERMINAL, RESIN	4	
22	09471-12077	·BULB (12V1.7W,T10)	1	

FIG.115

FIG.115 (1-K-14) OPT:METER (3)

REF NO.	PART NO.	DESCRIPTION	Q' TY	REMARKS
1-1	34100-98J11	SPEEDOMETER ASSY	1	MAX 130KM/H WHITE
1-2	34100-98J41	SPEEDOMETER ASSY	1	MAX 60KNOTS WHITE
2	34112-98J00	·NUT	1	
3	34200-98J13	TACHOMETER ASSY	1	WHITE
4	34112-98J00	·NUT	1	
5-1	34300-98J00	GAUGE ASSY, FUEL	1	BLACK
5-2	34300-98J10	GAUGE ASSY, FUEL	1	WHITE
6	34815-98J00	·NUT	1	
7-1	34600-98J00	METER ASSY, VOLTAGE	1	BLACK
7-2	34600-98J10	METER ASSY, VOLTAGE	1	WHITE
8	34815-98J00	·NUT	1	
9	34800-98J10	METER ASSY, TRIM	1	WHITE
10	34815-98J00	·NUT	1	

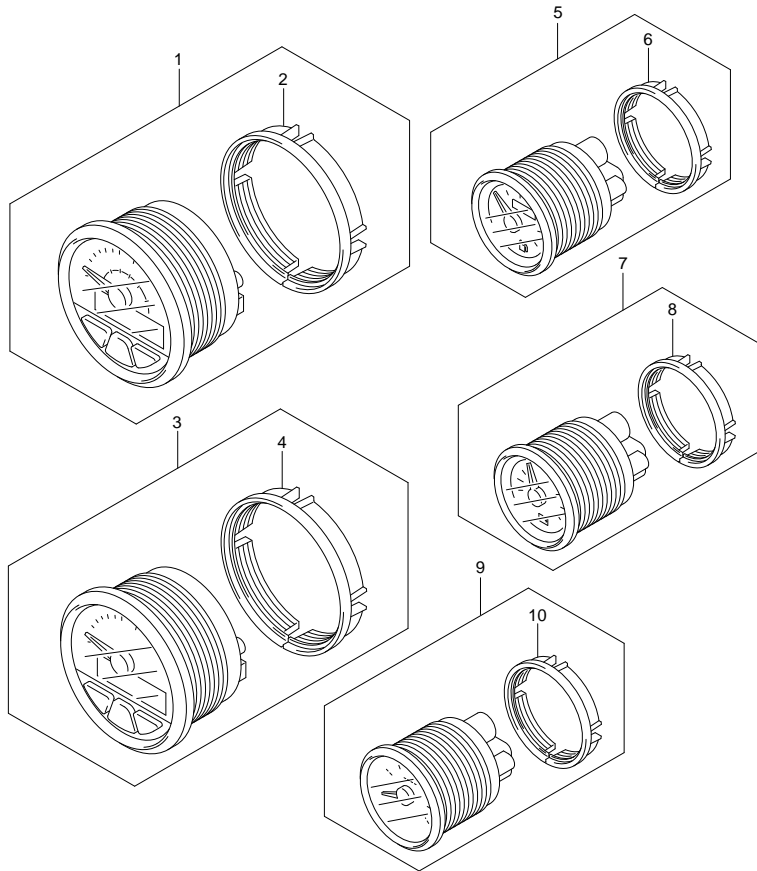


FIG.116

FIG.116 (1-K-15) OPT:TRIM SENDER (DF100T E1)

REF. NO.	PART NO.	DESCRIPTION	Q' TY	REMARKS				
1	34660-90J02	WATER PRESS GAUGE SUB KIT	1					
2	09352-50903-600	·HOSE (5X9X600)	1	L:600->160				
3	09352-50903-600	·HOSE (5X9X600)	1	L:600->210				
4	09367-06006	·3 WAY	1					
5	09401-08413	·CLIP	4					
6	18498-99EA0	·PROTECTOR (L:80)	1					
7	·CLAMP (L:248)	1		8	17917-87L00	CONNECTOR, FLUSH WATER	1	
8	17917-87L00	CONNECTOR, FLUSH WATER	1					

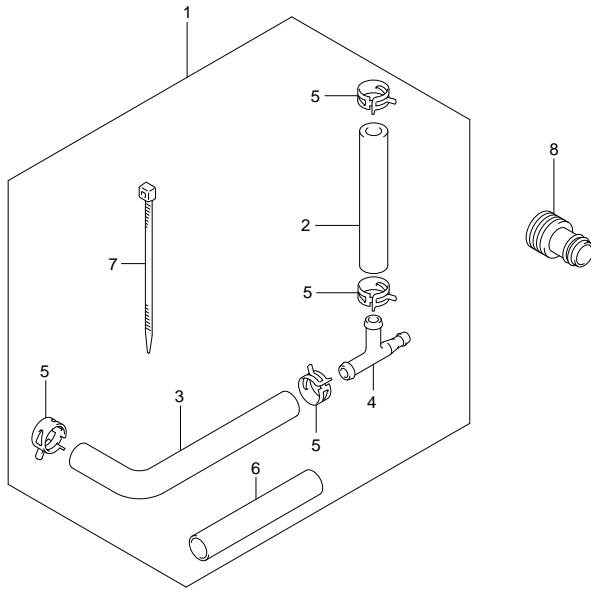


FIG.117

FIG.117 (1-L-2) OPT:TRIM SENDER (DF100T E40)

REF. NO.	PART NO.	DESCRIPTION	Q' TY	REMARKS
1	34660-90J02	WATER PRESS GAUGE SUB KIT	1	
2	09352-50903-600	·HOSE (5X9X600)	1	L:600->160
3	09352-50903-600	·HOSE (5X9X600)	1	L:600->210
4	09367-06006	·3 WAY	1	
5	09401-08413	·CLIP	4	
6	18498-99EA0	·PROTECTOR (L:80)	1	
7	09407-25402	·CLAMP (L:248)	1	
8	17917-87L00	CONNECTOR, FLUSH WATER	1	

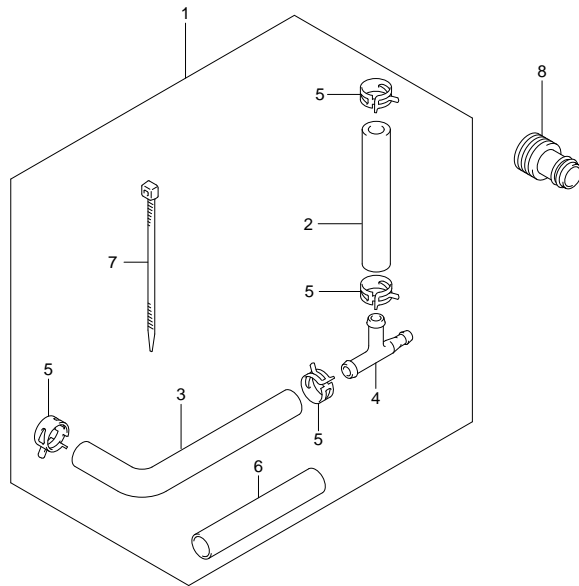


FIG.118

FIG.118 (1-L-3) OPT:TRIM SENDER (DF115T E1)

REF. NO.	PART NO.	DESCRIPTION	Q' TY	REMARKS
1	34660-90J02	WATER PRESS GAUGE SUB KIT	1	
2	09352-50903-600	·HOSE (5X9X600)	1	L:600->160
3	09352-50903-600	·HOSE (5X9X600)	1	L:600->210
4	09367-06006	·3 WAY	1	
5	09401-08413	·CLIP	4	
6	18498-99EA0	·PROTECTOR (L:80)	1	
7	09407-25402	·CLAMP (L:248)	1	
8	17917-87L00	CONNECTOR, FLUSH WATER	1	

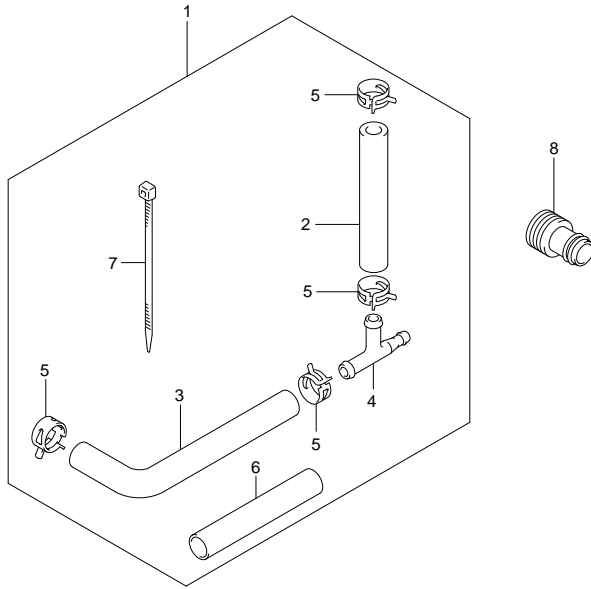


FIG.119

FIG.119 (1-L-4) OPT:TRIM SENDER (DF115T E40)

REF NO.	PART NO.	DESCRIPTION	Q' TY	REMARKS
1	34660-90J02	WATER PRESS GAUGE SUB KIT	1	
2	09352-50903-600	·HOSE (5X9X600)	1	L:600->160
3	09352-50903-600	·HOSE (5X9X600)	1	L:600->210
4	09367-06006	·3 WAY	1	
5	09401-08413	·CLIP	4	
6	18498-99EA0	·PROTECTOR (L:80)	1	
7	09407-25402	·CLAMP (L:248)	1	
8	17917-87L00	CONNECTOR, FLUSH WATER	1	

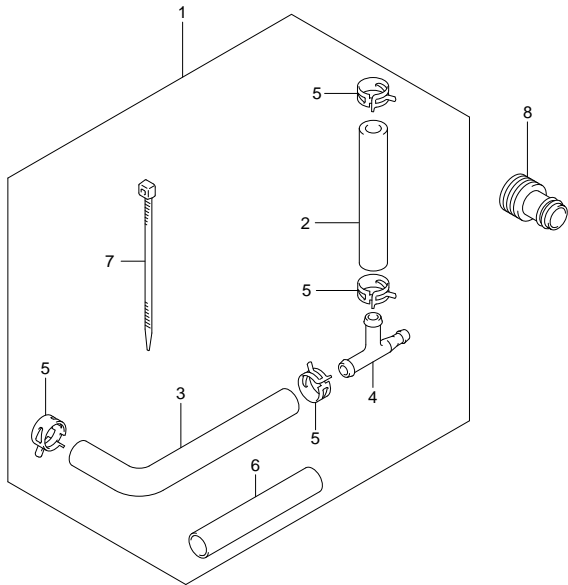


FIG.120

FIG.120 (1-L-5) OPT:TRIM SENDER (DF115Z E1)

REF. NO.	PART NO.	DESCRIPTION	Q' TY	REMARKS
1	34660-90J02	WATER PRESS GAUGE SUB KIT	1	
2	09352-50903-600	·HOSE (5X9X600)	1	L:600->160
3	09352-50903-600	·HOSE (5X9X600)	1	L:600->210
4	09367-06006	·3 WAY	1	
5	09401-08413	·CLIP	4	
6	18498-99EA0	·PROTECTOR (L:80)	1	
7	09407-25402	·CLAMP (L:248)	1	
8	17917-87L00	CONNECTOR, FLUSH WATER	1	

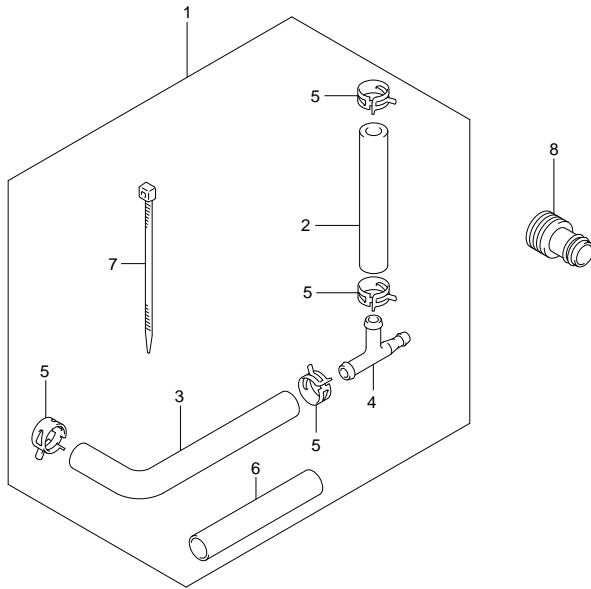


FIG.121

FIG.121 (1-L-6) OPT:TRIM SENDER (DF1157 E40)

REF. NO.	PART NO.	DESCRIPTION	Q' TY	REMARKS
1	34660-90J02	WATER PRESS GAUGE SUB KIT	1	
2	09352-50903-600	·HOSE (5X9X600)	1	L:600->160
3	09352-50903-600	·HOSE (5X9X600)	1	L:600->210
4	09367-06006	·3 WAY	1	
5	09401-08413	·CLIP	4	
6	18498-99EA0	·PROTECTOR (L:80)	1	
7	09407-25402	·CLAMP (L:248)	1	
8	17917-87L00	CONNECTOR, FLUSH WATER	1	

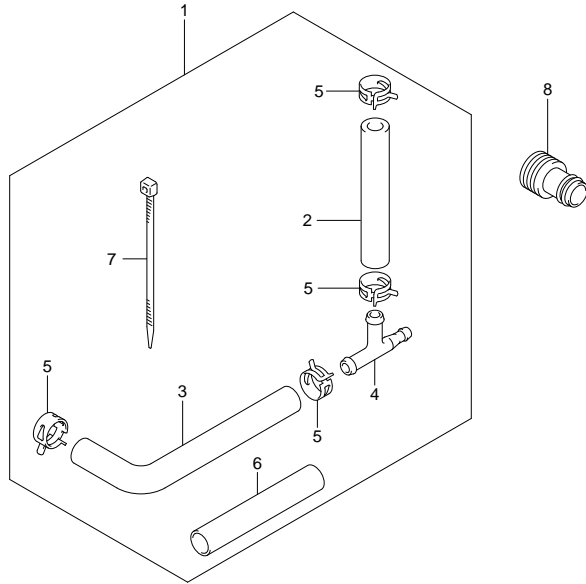


FIG.122

FIG.122 (1-L-7) OPT:HARNESS (1)

REF NO.	PART NO.	DESCRIPTION	Q'TY	REMARKS
1	36990-87D00	TERMINAL & SLEEVE SET	1	
2-1	36620-93J10	WIRE ASSY, REMOCON EXTENSION	1	L:2000
2-2	36620-93J40	WIRE ASSY, REMOCON EXTENSION	1	L:3000
3	36620-93J30	WIRE ASSY, REMOCON ADAPTER	1	L:2000
4	38500-93J00	BUZZER ASSY, WARNING	1	
5-1	36620-93J02	WIRE ASSY, REMOTE CONTROL	1	
5-2	36620-93J52	WIRE ASSY, REMOTE CONTROL	1	
5-3	36620-93J62	WIRE ASSY, REMOTE CONTROL	1	
6	09481-10501	·FUSE (10A)	1	

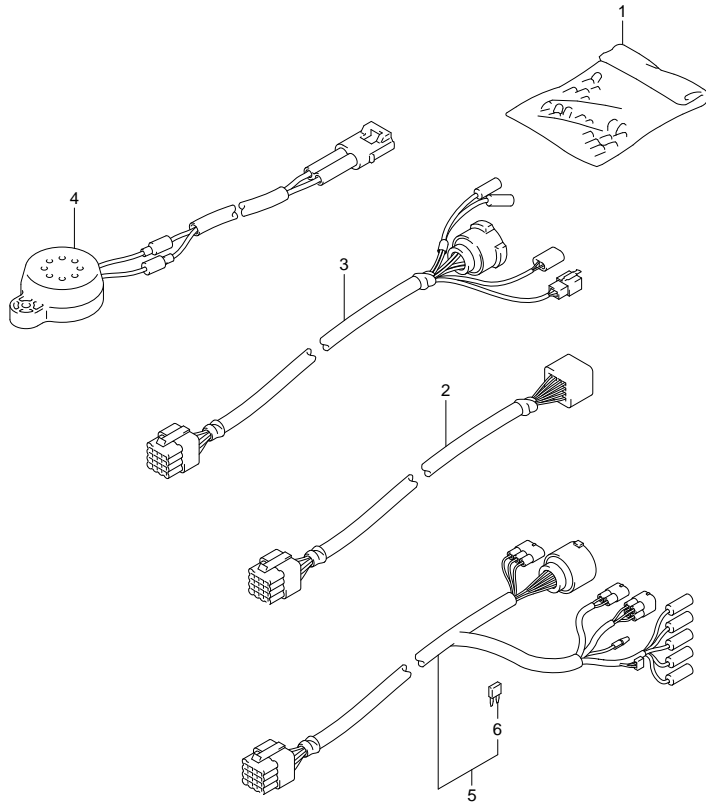


FIG.123

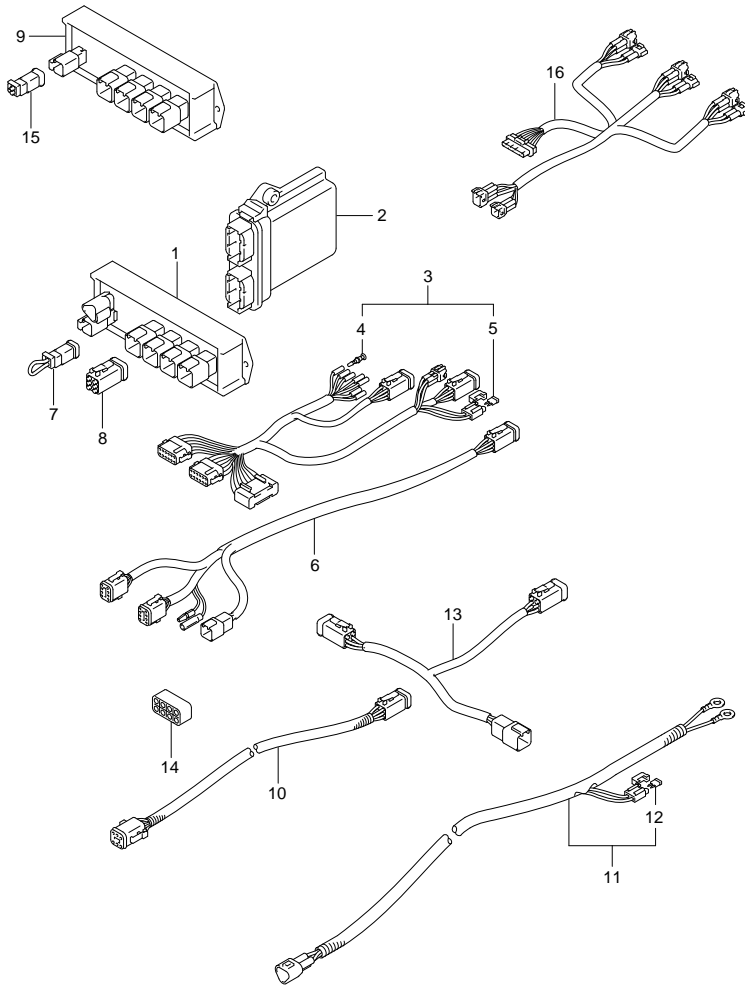
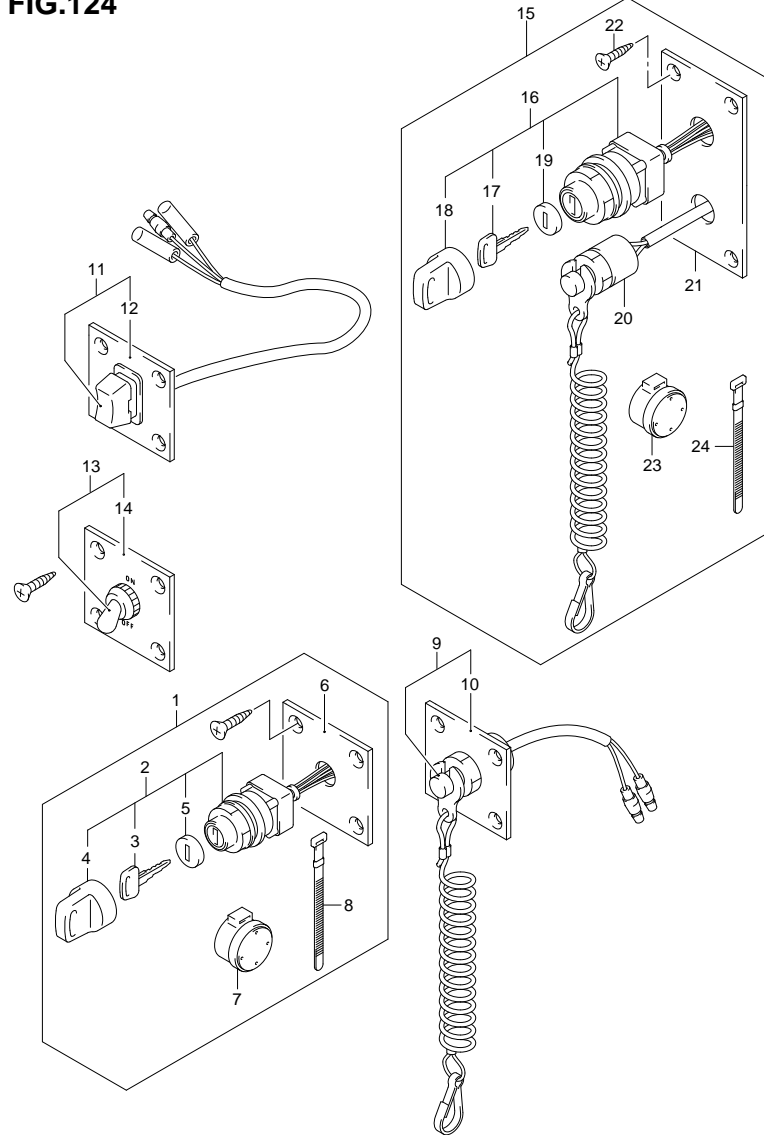


FIG.123 (1-L-8) OPT:HARNESS (2)

REF NO.	PART NO.	DESCRIPTION	Q'TY	REMARKS
1	34921-98J00	UNIT, ACTIVE HUB	1	
2	34922-98J02	UNIT, INTERFACE	1	
3	36661-98J00	HARNESS ASSY, INTERFACE UNIT	1	
4	36615-96300	·TERMINAL, RESIN	7	
5	09481-05501	·FUZE (5A)	1	
6	36664-98J00	HARNESS ASSY, 3" GAUGE	1	
7	36665-98J00	WIRE, JUMPER	1	
8	36666-98J10	CAP, 6 PIN CONNECTOR	1	
9	34921-98J10	UNIT, PASSIVE HUB	1	
10-1	36662-98J00	HARNESS ASSY, HUB S	1	L:1000
10-2	36662-98J10	HARNESS ASSY, HUB L	1	L:6500
11-1	36663-98J00	HARNESS ASSY, ACTIVE HUB PWR S	1	L:2500
11-2	36663-98J10	HARNESS ASSY, ACTIVE HUB PWR L	1	L:6000
12	09481-05501	·FUZE (5A)	1	
13	36664-98J10	HARNESS ASSY, 2" GAUGE	1	
14	36666-98J00	CAP, 8 PIN CONNECTOR	1	
15	36667-98J00	CAP, 2 PIN CONNECTOR	1	
16	36661-93J00	ADAPTER, INTERFACE MODULE	1	

FIG.124



DF100 115 E01 012_124
OPT:SWITCH

FIG.124 (1-L-9) OPT:SWITCH (DF100T E1)

REF NO.	PART NO.	DESCRIPTION	Q'TY	REMARKS
1	37100-96J00	PANEL ASSY, IGNITION SW	1	
2	37110-93J00	·SWITCH ASSY, IGNITION	1	
3-1	37141-99E00	··KEY (931)	2	
3-2	37141-99E10	··KEY (932)	2	
3-3	37141-99E20	··KEY (933)	2	
3-4	37141-99E30	··KEY (934)	2	
3-5	37141-99E40	··KEY (935)	2	
3-6	37141-99E50	··KEY (936)	2	
3-7	37141-99E60	··KEY (937)	2	
3-8	37141-99E70	··KEY (938)	2	
3-9	37141-99E80	··KEY (939)	2	
3-10	37141-99E90	··KEY (940)	2	
3-11	37141-99EA0	··KEY (941)	2	
3-12	37141-99EB0	··KEY (942)	2	
4	37143-99E00	··CAP, KEY	1	
5	37149-93J00	··CAP, CYLINDER BODY	1	
6	37139-99E00	·PANEL, IGNITION SW	1	
7	38500-93J90	·BUZZER ASSY, WARNING	1	
8	09407-08401	·CLAMP (L:80)	1	
9	37803-93J03	PANEL ASSY, EMERGENCY SW	1	
10	37825-99E00	·PANEL, EMERGENCY SW	1	
11	37805-93J00	PANEL ASSY, PTT SW	1	
12	37855-99E00	·PANEL, PTT SW	1	
13	37210-93J00	PANEL ASSY, LIGHTING SW	1	
14	37212-93J00	·PANEL, LIGHTING SW	1	

DF100/115 E01 012

FIG.124

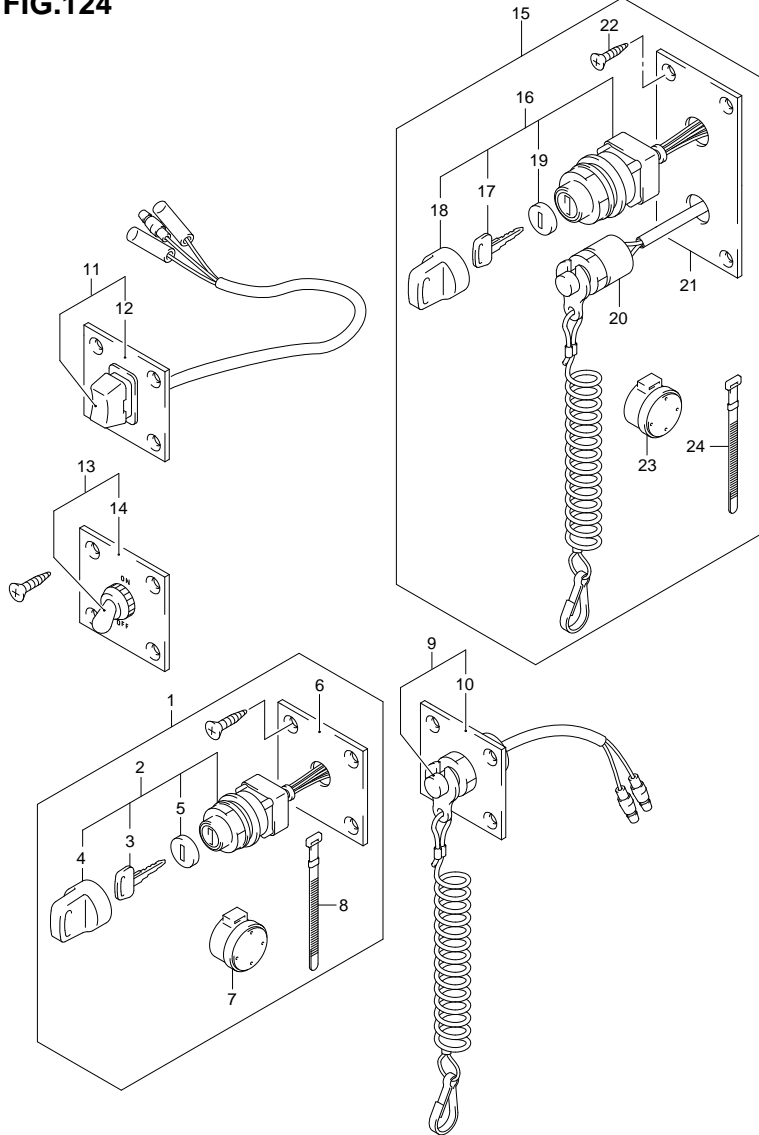


FIG.124 (1-L-10) OPT:SWITCH (DF100T E1)

REF NO.	PART NO.	DESCRIPTION	Q'TY	REMARKS
15	37100-96J23	PANEL ASSY, ENGINE SW	1	
16	37110-93J00	·SWITCH ASSY, IGNITION	1	
17-1	37141-99E00	··KEY (931)	2	
17-2	37141-99E10	··KEY (932)	2	
17-3	37141-99E20	··KEY (933)	2	
17-4	37141-99E30	··KEY (934)	2	
17-5	37141-99E40	··KEY (935)	2	
17-6	37141-99E50	··KEY (936)	2	
17-7	37141-99E60	··KEY (937)	2	
17-8	37141-99E70	··KEY (938)	2	
17-9	37141-99E80	··KEY (939)	2	
17-10	37141-99E90	··KEY (940)	2	
17-11	37141-99EA0	··KEY (941)	2	
17-12	37141-99EB0	··KEY (942)	2	
18	37143-99E00	··CAP, KEY	1	
19	37149-93J00	··CAP, CYLINDER BODY	1	
20	37820-93J03	·SWITCH ASSY, EMERGENCY	1	
21	37139-99E20	·PANEL	1	
22	03121-0516A	·SCREW	4	
23	38500-93J90	·BUZZER ASSY, WARNING	1	
24	09407-08401	·CLAMP (L:80)	1	

FIG.125

FIG.125 (1-L-11) OPT:SWITCH (DF100T E40)

REF NO.	PART NO.	DESCRIPTION	Q'TY	REMARKS
1	37100-96J00	PANEL ASSY, IGNITION SW	1	
2	37110-93J00	·SWITCH ASSY, IGNITION	1	
3-1	37141-99E00	··KEY (931)	2	
3-2	37141-99E10	··KEY (932)	2	
3-3	37141-99E20	··KEY (933)	2	
3-4	37141-99E30	··KEY (934)	2	
3-5	37141-99E40	··KEY (935)	2	
3-6	37141-99E50	··KEY (936)	2	
3-7	37141-99E60	··KEY (937)	2	
3-8	37141-99E70	··KEY (938)	2	
3-9	37141-99E80	··KEY (939)	2	
3-10	37141-99E90	··KEY (940)	2	
3-11	37141-99EA0	··KEY (941)	2	
3-12	37141-99EB0	··KEY (942)	2	
4	37143-99E00	··CAP, KEY	1	
5	37149-93J00	··CAP, CYLINDER BODY	1	
6	37139-99E00	·PANEL, IGNITION SW	1	
7	38500-93J90	·BUZZER ASSY, WARNING	1	
8	09407-08401	·CLAMP (L:80)	1	
9	37803-93J03	PANEL ASSY, EMERGENCY SW	1	
10	37825-99E00	·PANEL, EMERGENCY SW	1	
11	37805-93J00	PANEL ASSY, PTT SW	1	
12	37855-99E00	·PANEL, PTT SW	1	
13	37210-93J00	PANEL ASSY, LIGHTING SW	1	
14	37212-93J00	·PANEL, LIGHTING SW	1	

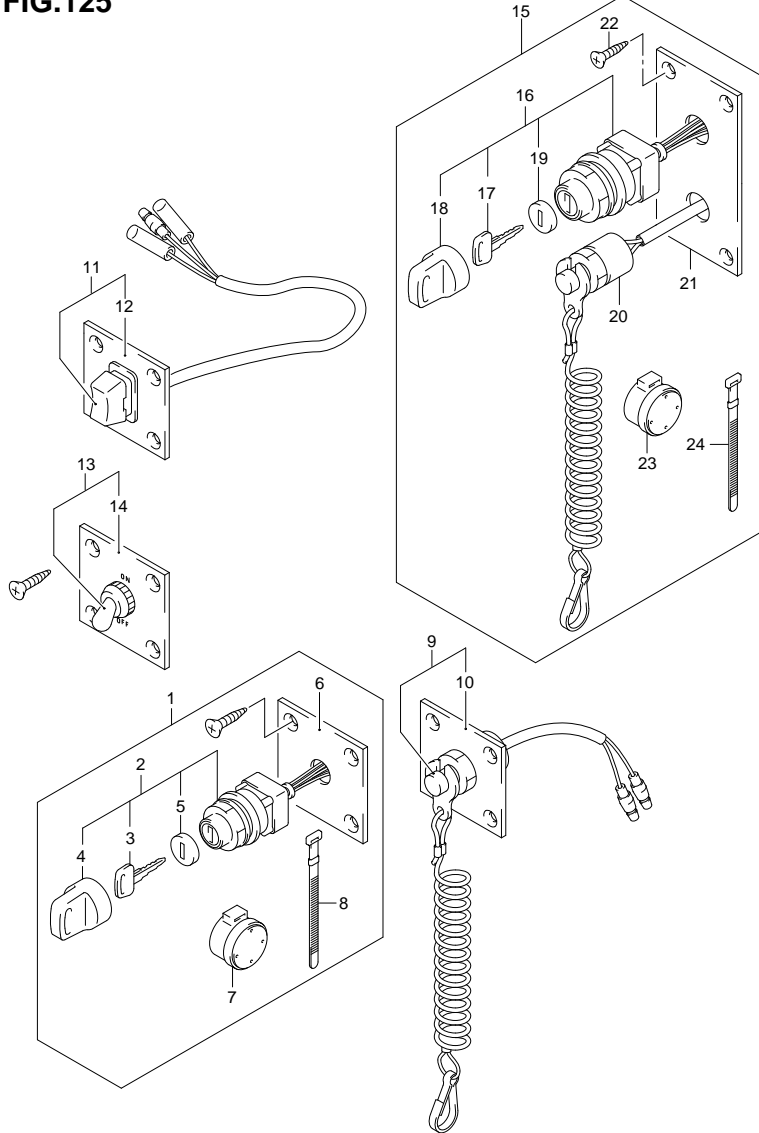


FIG.125

FIG.125 (1-L-12) OPT:SWITCH (DF100T E40)

REF NO.	PART NO.	DESCRIPTION	Q'TY	REMARKS
15	37100-96J23	PANEL ASSY, ENGINE SW	1	
16	37110-93J00	·SWITCH ASSY, IGNITION	1	
17-1	37141-99E00	··KEY (931)	2	
17-2	37141-99E10	··KEY (932)	2	
17-3	37141-99E20	··KEY (933)	2	
17-4	37141-99E30	··KEY (934)	2	
17-5	37141-99E40	··KEY (935)	2	
17-6	37141-99E50	··KEY (936)	2	
17-7	37141-99E60	··KEY (937)	2	
17-8	37141-99E70	··KEY (938)	2	
17-9	37141-99E80	··KEY (939)	2	
17-10	37141-99E90	··KEY (940)	2	
17-11	37141-99EA0	··KEY (941)	2	
17-12	37141-99EB0	··KEY (942)	2	
18	37143-99E00	··CAP, KEY	1	
19	37149-93J00	··CAP, CYLINDER BODY	1	
20	37820-93J03	·SWITCH ASSY, EMERGENCY	1	
21	37139-99E20	·PANEL	1	
22	03121-0516A	·SCREW	4	
23	38500-93J90	·BUZZER ASSY, WARNING	1	
24	09407-08401	·CLAMP (L:80)	1	

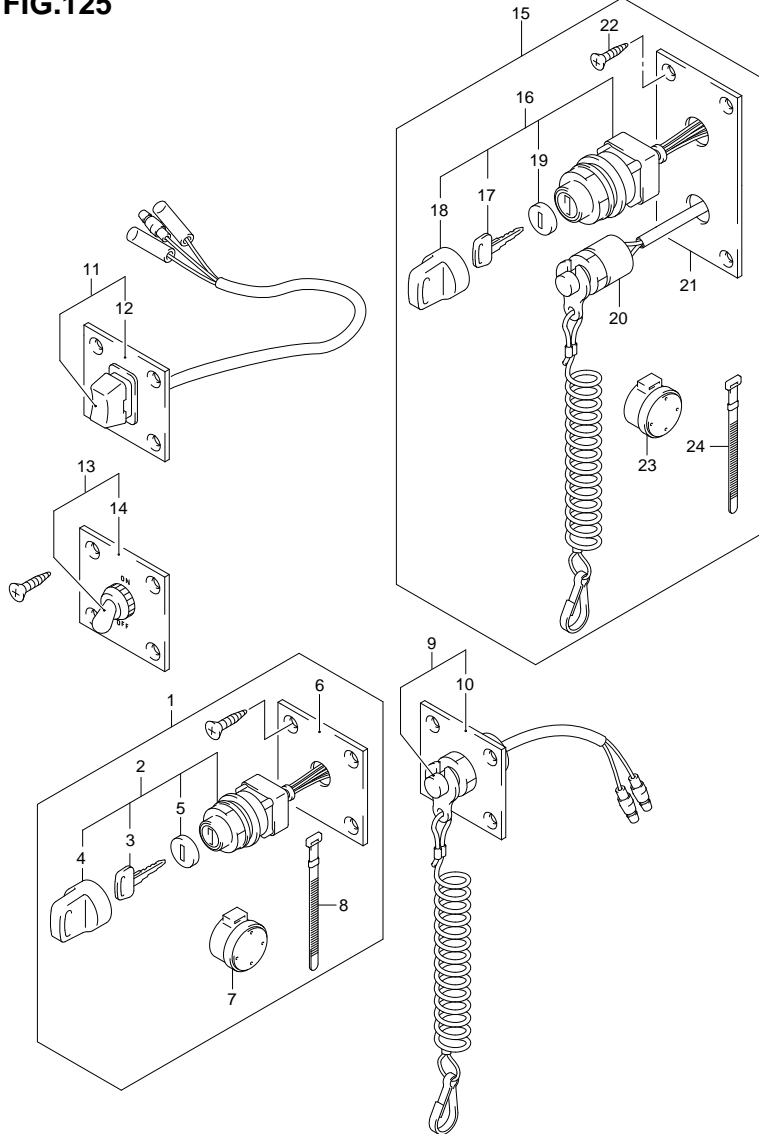
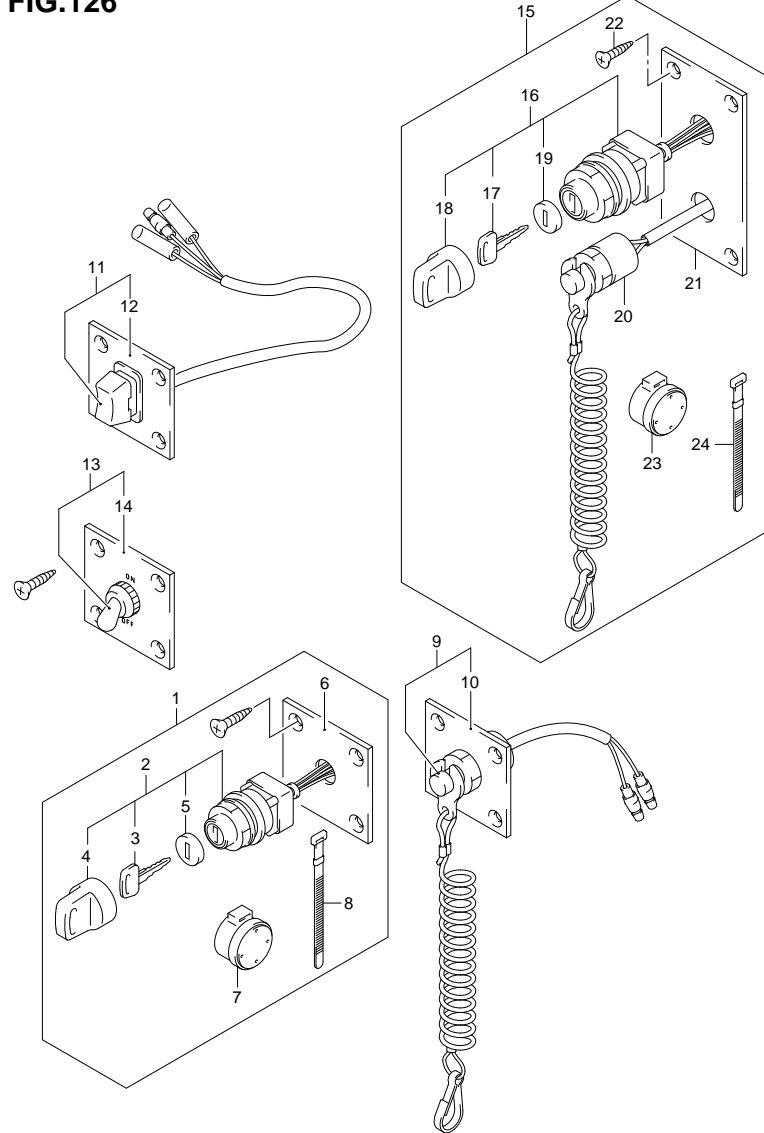


FIG.126



DF100 115 E01 012_126
OPT:SWITCH

FIG.126 (1-L-13) OPT:SWITCH (DF115T E1)

REF NO.	PART NO.	DESCRIPTION	Q'TY	REMARKS
1	37100-96J00	PANEL ASSY, IGNITION SW	1	
2	37110-93J00	·SWITCH ASSY, IGNITION	1	
3-1	37141-99E00	··KEY (931)	2	
3-2	37141-99E10	··KEY (932)	2	
3-3	37141-99E20	··KEY (933)	2	
3-4	37141-99E30	··KEY (934)	2	
3-5	37141-99E40	··KEY (935)	2	
3-6	37141-99E50	··KEY (936)	2	
3-7	37141-99E60	··KEY (937)	2	
3-8	37141-99E70	··KEY (938)	2	
3-9	37141-99E80	··KEY (939)	2	
3-10	37141-99E90	··KEY (940)	2	
3-11	37141-99EA0	··KEY (941)	2	
3-12	37141-99EB0	··KEY (942)	2	
4	37143-99E00	··CAP, KEY	1	
5	37149-93J00	··CAP, CYLINDER BODY	1	
6	37139-99E00	·PANEL, IGNITION SW	1	
7	38500-93J90	·BUZZER ASSY, WARNING	1	
8	09407-08401	·CLAMP (L:80)	1	
9	37803-93J03	PANEL ASSY, EMERGENCY SW	1	
10	37825-99E00	·PANEL, EMERGENCY SW	1	
11	37805-93J00	PANEL ASSY, PTT SW	1	
12	37855-99E00	·PANEL, PTT SW	1	
13	37210-93J00	PANEL ASSY, LIGHTING SW	1	
14	37212-93J00	·PANEL, LIGHTING SW	1	

FIG.126

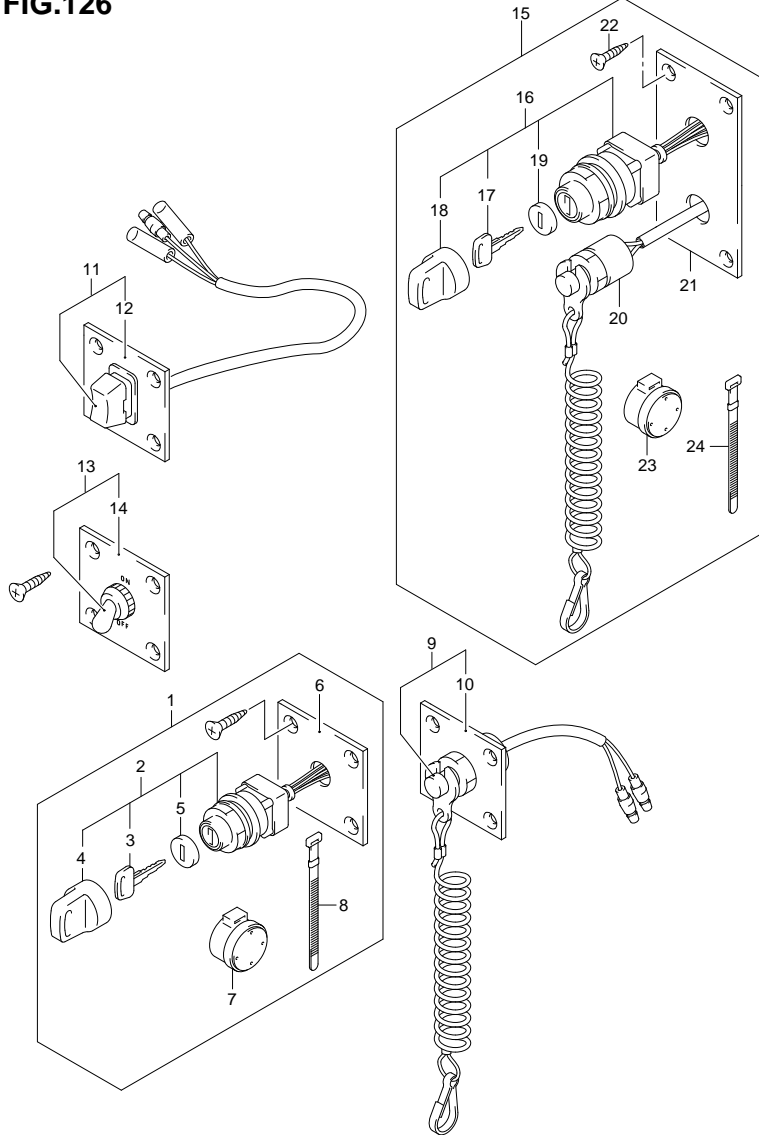


FIG.126 (1-L-14) OPT:SWITCH (DF115T E1)

REF NO.	PART NO.	DESCRIPTION	Q'TY	REMARKS
15	37100-96J23	PANEL ASSY, ENGINE SW	1	
16	37110-93J00	·SWITCH ASSY, IGNITION	1	
17-1	37141-99E00	··KEY (931)	2	
17-2	37141-99E10	··KEY (932)	2	
17-3	37141-99E20	··KEY (933)	2	
17-4	37141-99E30	··KEY (934)	2	
17-5	37141-99E40	··KEY (935)	2	
17-6	37141-99E50	··KEY (936)	2	
17-7	37141-99E60	··KEY (937)	2	
17-8	37141-99E70	··KEY (938)	2	
17-9	37141-99E80	··KEY (939)	2	
17-10	37141-99E90	··KEY (940)	2	
17-11	37141-99EA0	··KEY (941)	2	
17-12	37141-99EB0	··KEY (942)	2	
18	37143-99E00	··CAP, KEY	1	
19	37149-93J00	··CAP, CYLINDER BODY	1	
20	37820-93J03	·SWITCH ASSY, EMERGENCY	1	
21	37139-99E20	·PANEL	1	
22	03121-0516A	·SCREW	4	
23	38500-93J90	·BUZZER ASSY, WARNING	1	
24	09407-08401	·CLAMP (L:80)	1	

FIG.127

FIG.127 (1-15) OPT:SWITCH (DF115T E40)

REF NO.	PART NO.	DESCRIPTION	Q'TY	REMARKS
1	37100-96J00	PANEL ASSY, IGNITION SW	1	
2	37110-93J00	·SWITCH ASSY, IGNITION	1	
3-1	37141-99E00	··KEY (931)	2	
3-2	37141-99E10	··KEY (932)	2	
3-3	37141-99E20	··KEY (933)	2	
3-4	37141-99E30	··KEY (934)	2	
3-5	37141-99E40	··KEY (935)	2	
3-6	37141-99E50	··KEY (936)	2	
3-7	37141-99E60	··KEY (937)	2	
3-8	37141-99E70	··KEY (938)	2	
3-9	37141-99E80	··KEY (939)	2	
3-10	37141-99E90	··KEY (940)	2	
3-11	37141-99EA0	··KEY (941)	2	
3-12	37141-99EB0	··KEY (942)	2	
4	37143-99E00	··CAP, KEY	1	
5	37149-93J00	··CAP, CYLINDER BODY	1	
6	37139-99E00	·PANEL, IGNITION SW	1	
7	38500-93J90	·BUZZER ASSY, WARNING	1	
8	09407-08401	·CLAMP (L:80)	1	
9	37803-93J03	PANEL ASSY, EMERGENCY SW	1	
10	37825-99E00	·PANEL, EMERGENCY SW	1	
11	37805-93J00	PANEL ASSY, PTT SW	1	
12	37855-99E00	·PANEL, PTT SW	1	
13	37210-93J00	PANEL ASSY, LIGHTING SW	1	
14	37212-93J00	·PANEL, LIGHTING SW	1	

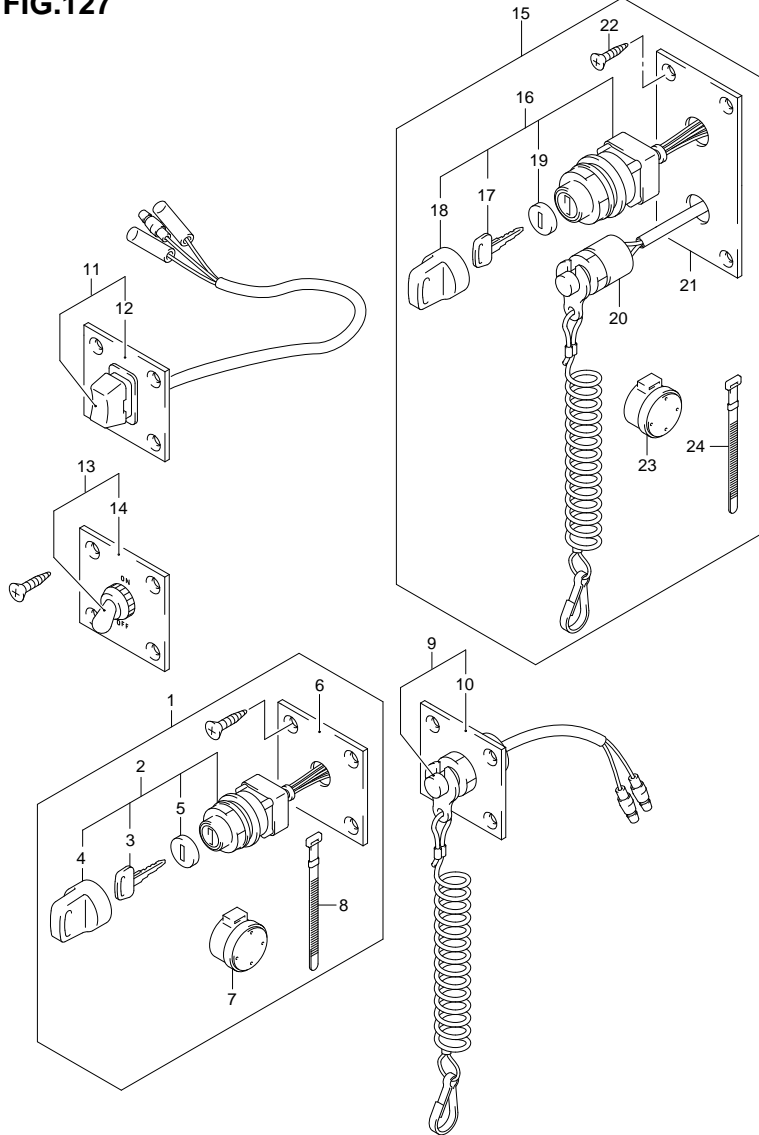


FIG.127

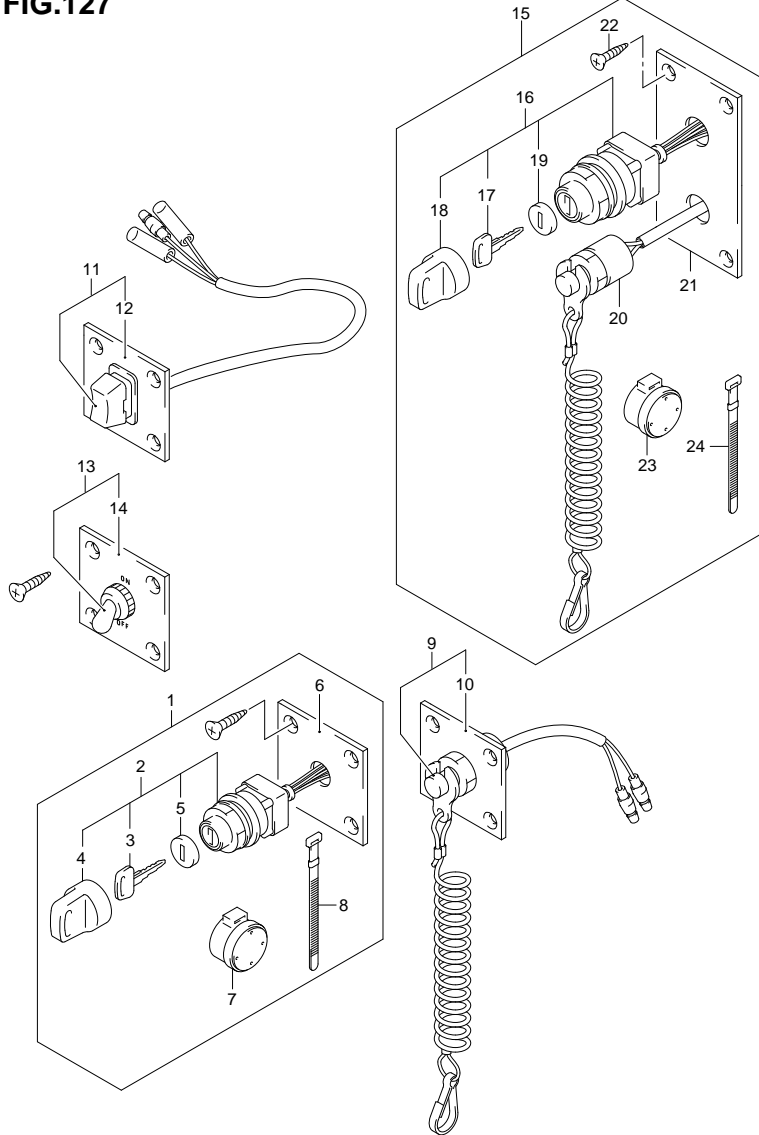


FIG.127 (2-B-2) OPT:SWITCH (DF115T E40)

REF NO.	PART NO.	DESCRIPTION	Q'TY	REMARKS
15	37100-96J23	PANEL ASSY, ENGINE SW	1	
16	37110-93J00	·SWITCH ASSY, IGNITION	1	
17-1	37141-99E00	··KEY (931)	2	
17-2	37141-99E10	··KEY (932)	2	
17-3	37141-99E20	··KEY (933)	2	
17-4	37141-99E30	··KEY (934)	2	
17-5	37141-99E40	··KEY (935)	2	
17-6	37141-99E50	··KEY (936)	2	
17-7	37141-99E60	··KEY (937)	2	
17-8	37141-99E70	··KEY (938)	2	
17-9	37141-99E80	··KEY (939)	2	
17-10	37141-99E90	··KEY (940)	2	
17-11	37141-99EA0	··KEY (941)	2	
17-12	37141-99EB0	··KEY (942)	2	
18	37143-99E00	··CAP, KEY	1	
19	37149-93J00	··CAP, CYLINDER BODY	1	
20	37820-93J03	·SWITCH ASSY, EMERGENCY	1	
21	37139-99E20	·PANEL	1	
22	03121-0516A	·SCREW	4	
23	38500-93J90	·BUZZER ASSY, WARNING	1	
24	09407-08401	·CLAMP (L:80)	1	

FIG.128

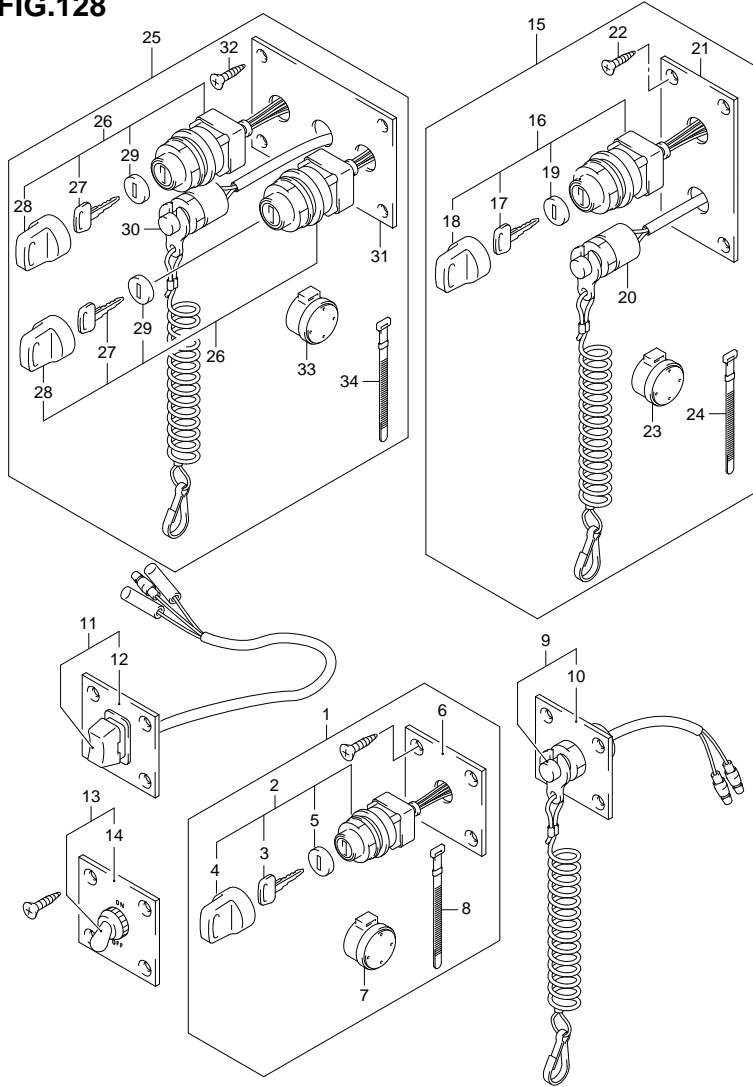


FIG.128 (2-B-3) OPT:SWITCH (DF115Z E1)

REF NO.	PART NO.	DESCRIPTION	Q'TY	REMARKS
1	37100-96J00	PANEL ASSY, IGNITION SW	1	
2	37110-93J00	·SWITCH ASSY, IGNITION	1	
3-1	37141-99E00	··KEY (931)	2	
3-2	37141-99E10	··KEY (932)	2	
3-3	37141-99E20	··KEY (933)	2	
3-4	37141-99E30	··KEY (934)	2	
3-5	37141-99E40	··KEY (935)	2	
3-6	37141-99E50	··KEY (936)	2	
3-7	37141-99E60	··KEY (937)	2	
3-8	37141-99E70	··KEY (938)	2	
3-9	37141-99E80	··KEY (939)	2	
3-10	37141-99E90	··KEY (940)	2	
3-11	37141-99EA0	··KEY (941)	2	
3-12	37141-99EB0	··KEY (942)	2	
4	37143-99E00	··CAP, KEY	1	
5	37149-93J00	··CAP, CYLINDER BODY	1	
6	37139-99E00	·PANEL, IGNITION SW	1	
7	38500-93J90	·BUZZER ASSY, WARNING	1	
8	09407-08401	·CLAMP (L:80)	1	
9	37803-93J03	PANEL ASSY, EMERGENCY SW	1	
10	37825-99E00	·PANEL, EMERGENCY SW	1	
11	37805-93J00	PANEL ASSY, PTT SW	1	
12	37855-99E00	·PANEL, PTT SW	1	
13	37210-93J00	PANEL ASSY, LIGHTING SW	1	
14	37212-93J00	·PANEL, LIGHTING SW	1	

FIG.128

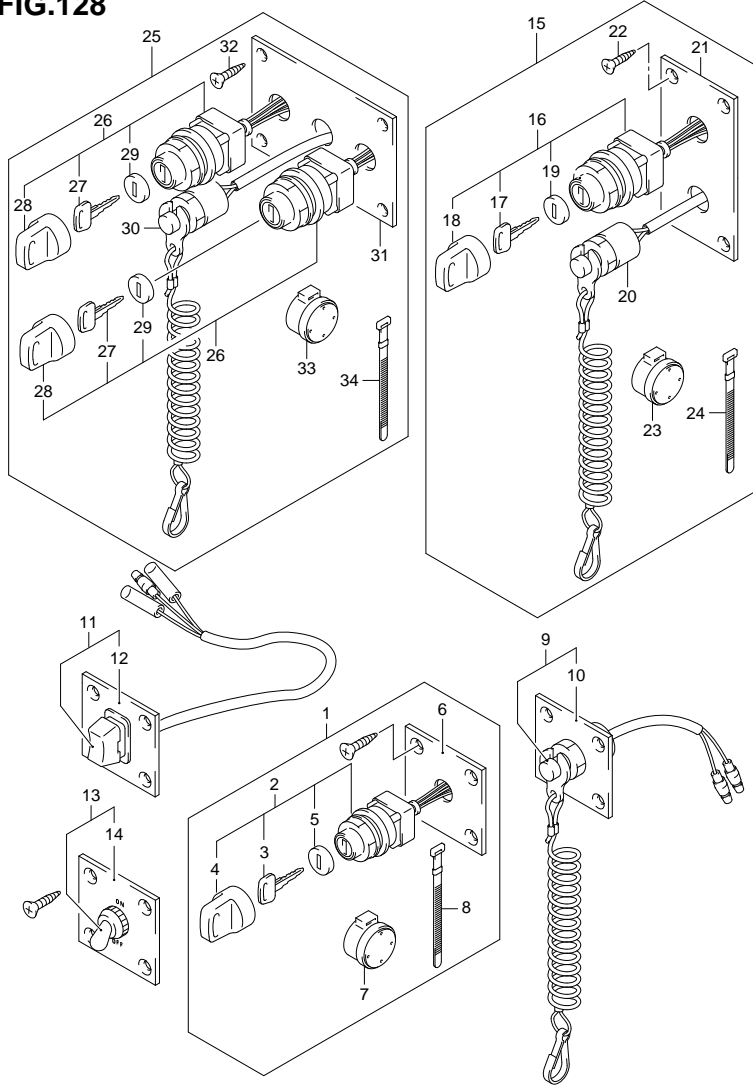


FIG.128 (2-B-4) OPT:SWITCH (DF1157 E1)

REF NO.	PART NO.	DESCRIPTION	Q'TY	REMARKS
15	37100-96J23	PANEL ASSY, ENGINE SW	1	
16	37110-93J00	·SWITCH ASSY, IGNITION	1	
17-1	37141-99E00	··KEY (931)	2	
17-2	37141-99E10	··KEY (932)	2	
17-3	37141-99E20	··KEY (933)	2	
17-4	37141-99E30	··KEY (934)	2	
17-5	37141-99E40	··KEY (935)	2	
17-6	37141-99E50	··KEY (936)	2	
17-7	37141-99E60	··KEY (937)	2	
17-8	37141-99E70	··KEY (938)	2	
17-9	37141-99E80	··KEY (939)	2	
17-10	37141-99E90	··KEY (940)	2	
17-11	37141-99EA0	··KEY (941)	2	
17-12	37141-99EB0	··KEY (942)	2	
18	37143-99E00	··CAP, KEY	1	
19	37149-93J00	··CAP, CYLINDER BODY	1	
20	37820-93J03	·SWITCH ASSY, EMERGENCY	1	
21	37139-99E20	·PANEL	1	
22	03121-0516A	·SCREW	4	
23	38500-93J90	·BUZZER ASSY, WARNING	1	
24	09407-08401	·CLAMP (L:80)	1	

FIG.128

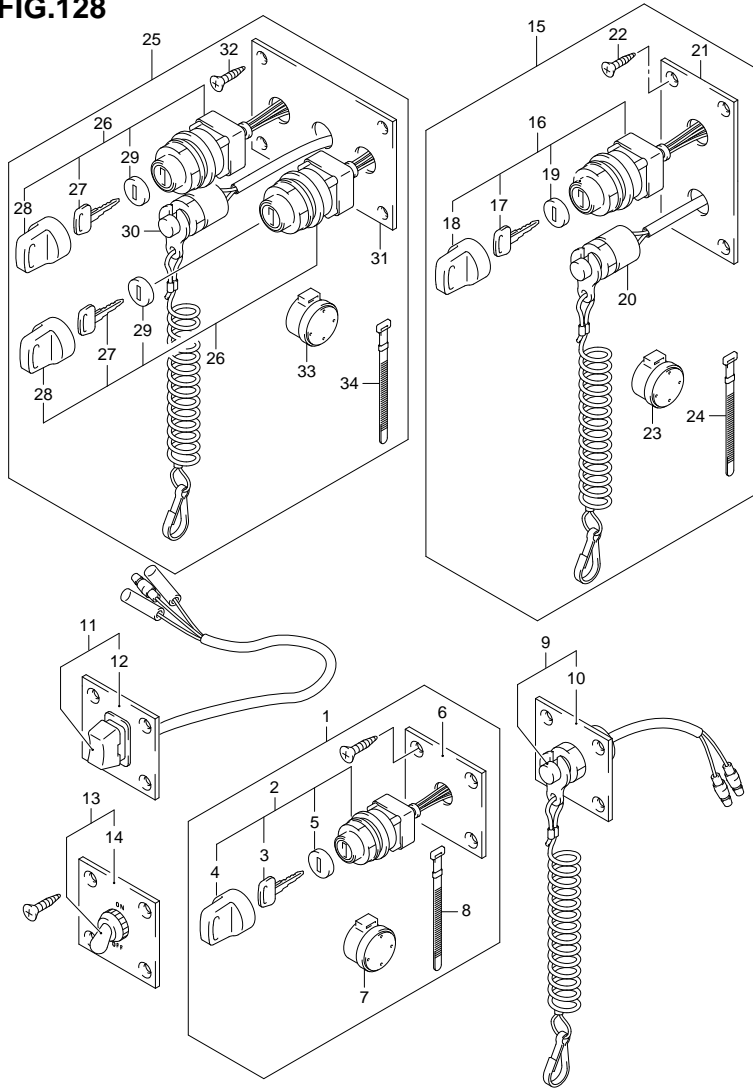


FIG.128 (2-B-5) OPT:SWITCH (DF1157 E1)

REF NO.	PART NO.	DESCRIPTION	Q'TY	REMARKS
25	37100-96J13	PANEL ASSY, DUAL ENGINE SW	1	
26	37110-93J00	·SWITCH ASSY, IGNITION	2	
27-1	37141-99E00	··KEY (931)	4	
27-2	37141-99E10	··KEY (932)	4	
27-3	37141-99E20	··KEY (933)	4	
27-4	37141-99E30	··KEY (934)	4	
27-5	37141-99E40	··KEY (935)	4	
27-6	37141-99E50	··KEY (936)	4	
27-7	37141-99E60	··KEY (937)	4	
27-8	37141-99E70	··KEY (938)	4	
27-9	37141-99E80	··KEY (939)	4	
27-10	37141-99E90	··KEY (940)	4	
27-11	37141-99EA0	··KEY (941)	4	
27-12	37141-99EB0	··KEY (942)	4	
28	37143-99E00	··CAP, KEY	2	
29	37149-93J00	··CAP, CYLINDER BODY	2	
30	37820-93J93	·SWITCH ASSY, EMERGENCY	1	
31	37139-99E10	·PANEL	1	
32	03121-0516A	·SCREW	4	
33	38500-93J90	·BUZZER ASSY, WARNING	1	
34	09407-08401	·CLAMP (L:80)	1	

FIG.129

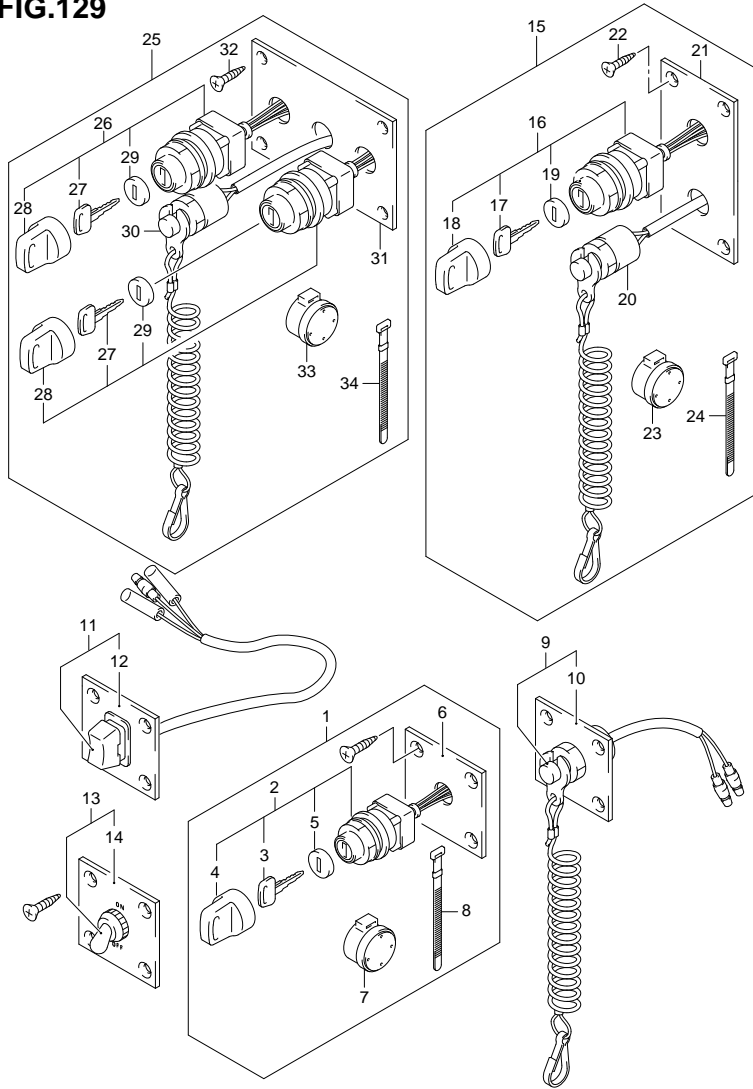


FIG.129 (2-B-6) OPT:SWITCH (DF1157 E40)

REF NO.	PART NO.	DESCRIPTION	Q'TY	REMARKS
1	37100-96J00	PANEL ASSY, IGNITION SW	1	
2	37110-93J00	·SWITCH ASSY, IGNITION	1	
3-1	37141-99E00	··KEY (931)	2	
3-2	37141-99E10	··KEY (932)	2	
3-3	37141-99E20	··KEY (933)	2	
3-4	37141-99E30	··KEY (934)	2	
3-5	37141-99E40	··KEY (935)	2	
3-6	37141-99E50	··KEY (936)	2	
3-7	37141-99E60	··KEY (937)	2	
3-8	37141-99E70	··KEY (938)	2	
3-9	37141-99E80	··KEY (939)	2	
3-10	37141-99E90	··KEY (940)	2	
3-11	37141-99EA0	··KEY (941)	2	
3-12	37141-99EB0	··KEY (942)	2	
4	37143-99E00	··CAP, KEY	1	
5	37149-93J00	··CAP, CYLINDER BODY	1	
6	37139-99E00	·PANEL, IGNITION SW	1	
7	38500-93J90	·BUZZER ASSY, WARNING	1	
8	09407-08401	·CLAMP (L:80)	1	
9	37803-93J03	PANEL ASSY, EMERGENCY SW	1	
10	37825-99E00	·PANEL, EMERGENCY SW	1	
11	37805-93J00	PANEL ASSY, PTT SW	1	
12	37855-99E00	·PANEL, PTT SW	1	
13	37210-93J00	PANEL ASSY, LIGHTING SW	1	
14	37212-93J00	·PANEL, LIGHTING SW	1	

FIG.129

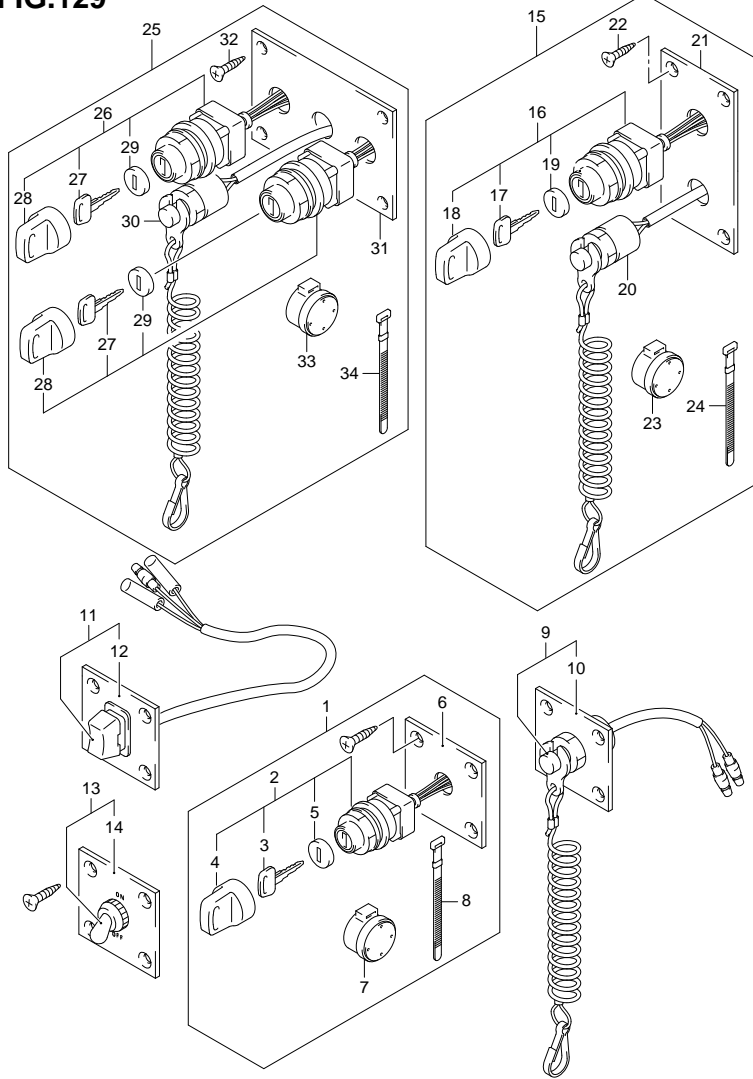


FIG.129 (2-B-7) OPT:SWITCH (DF1157 E40)

REF NO.	PART NO.	DESCRIPTION	Q'TY	REMARKS
15	37100-96J23	PANEL ASSY, ENGINE SW	1	
16	37110-93J00	·SWITCH ASSY, IGNITION	1	
17-1	37141-99E00	··KEY (931)	2	
17-2	37141-99E10	··KEY (932)	2	
17-3	37141-99E20	··KEY (933)	2	
17-4	37141-99E30	··KEY (934)	2	
17-5	37141-99E40	··KEY (935)	2	
17-6	37141-99E50	··KEY (936)	2	
17-7	37141-99E60	··KEY (937)	2	
17-8	37141-99E70	··KEY (938)	2	
17-9	37141-99E80	··KEY (939)	2	
17-10	37141-99E90	··KEY (940)	2	
17-11	37141-99EA0	··KEY (941)	2	
17-12	37141-99EB0	··KEY (942)	2	
18	37143-99E00	··CAP, KEY	1	
19	37149-93J00	··CAP, CYLINDER BODY	1	
20	37820-93J03	·SWITCH ASSY, EMERGENCY	1	
21	37139-99E20	·PANEL	1	
22	03121-0516A	·SCREW	4	
23	38500-93J90	·BUZZER ASSY, WARNING	1	
24	09407-08401	·CLAMP (L:80)	1	L:80

FIG.129

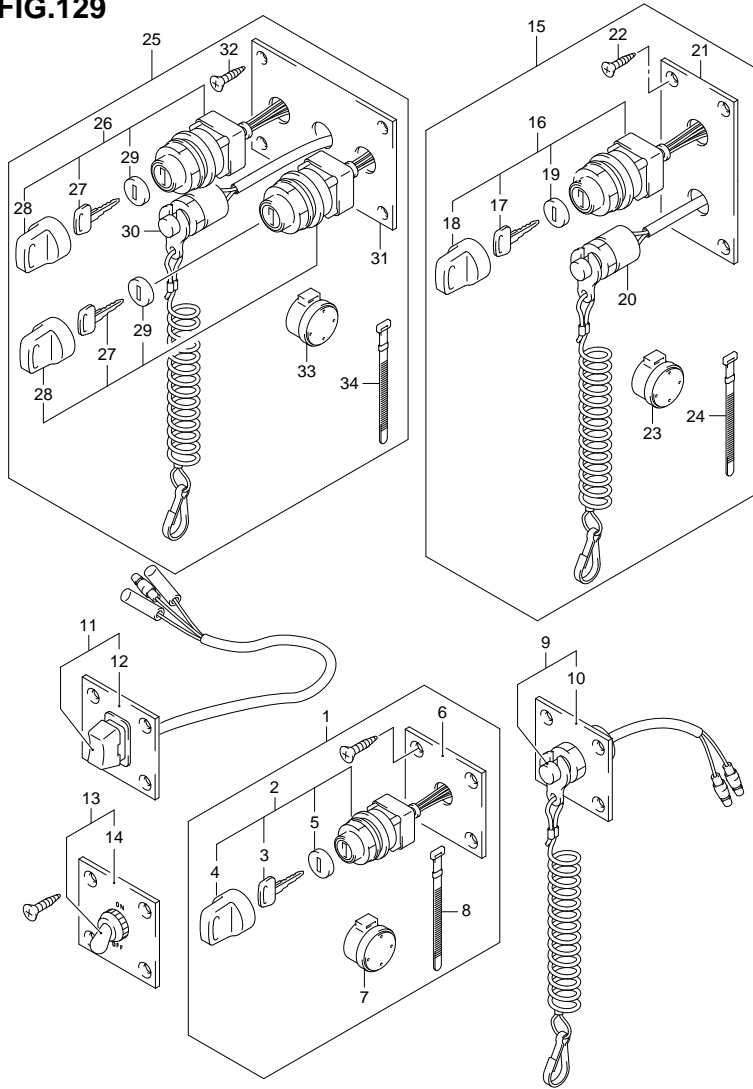


FIG.129 (2-B-8) OPT:SWITCH (DF1157 E40)

REF NO.	PART NO.	DESCRIPTION	Q'TY	REMARKS
25	37100-96J13	PANEL ASSY, DUAL ENGINE SW	1	
26	37110-93J00	·SWITCH ASSY, IGNITION	2	
27-1	37141-99E00	··KEY (931)	4	
27-2	37141-99E10	··KEY (932)	4	
27-3	37141-99E20	··KEY (933)	4	
27-4	37141-99E30	··KEY (934)	4	
27-5	37141-99E40	··KEY (935)	4	
27-6	37141-99E50	··KEY (936)	4	
27-7	37141-99E60	··KEY (937)	4	
27-8	37141-99E70	··KEY (938)	4	
27-9	37141-99E80	··KEY (939)	4	
27-10	37141-99E90	··KEY (940)	4	
27-11	37141-99EA0	··KEY (941)	4	
27-12	37141-99EB0	··KEY (942)	4	
28	37143-99E00	··CAP, KEY	2	
29	37149-93J00	··CAP, CYLINDER BODY	2	
30	37820-93J93	·SWITCH ASSY, EMERGENCY	1	
31	37139-99E10	·PANEL	1	
32	03121-0516A	·SCREW	4	
33	38500-93J90	·BUZZER ASSY, WARNING	1	
34	09407-08401	·CLAMP (L:80)	1	

FIG.130

FIG.130 (2-B-9) OPT:REMOTE CONTROL (DF100T F1)

REF NO.	PART NO.	DESCRIPTION	QTY	REMARKS
1	67200-93J03	REMOTE CONTROL ASSY	1	
2	36646-93J00	·WIRE ASSY, PTT SW ADAPTER	1	
3	36628-92E00	·GROMMET, WIRE HARNESS	1	
4	37110-93J00	·SWITCH ASSY, IGNITION	1	
5-1	37141-99E00	··KEY (931)	2	
5-2	37141-99E10	··KEY (932)	2	
5-3	37141-99E20	··KEY (933)	2	
5-4	37141-99E30	··KEY (934)	2	
5-5	37141-99E40	··KEY (935)	2	
5-6	37141-99E50	··KEY (936)	2	
5-7	37141-99E60	··KEY (937)	2	
5-8	37141-99E70	··KEY (938)	2	
5-9	37141-99E80	··KEY (939)	2	
5-10	37141-99E90	··KEY (940)	2	
5-11	37141-99EA0	··KEY (941)	2	
5-12	37141-99EB0	··KEY (942)	2	
6	37143-99E00	··CAP, KEY	2	
7	37149-93J00	··CAP, CYLINDER BODY	1	
8	37721-93J90	·SWITCH, NEUTRAL	1	
9	37820-93J03	·SWITCH ASSY, EMERGENCY	1	
10	37823-92E01	··PLATE	1	
11	37850-90J05	·SWITCH ASSY, PTT	1	
12	38500-93J90	·BUZZER	1	
13	67212-95600	·WASHER	1	
14	67213-92E00	·BRACKET, BUZZER	1	
15	09125-05042	·SCREW (5X10)	1	
16	67296-92E10	·SCREW, NEUTRAL SW	2	
17	67220-95630	·PLATE ASSY	1	
18	67223-99E10	·KNOB, BRAKE ADJ	1	
19	67229-95600	·ROLLER	1	
20	67232-95600	·BUSH	1	
21	67238-87D00	·GEAR, DRIVE	1	

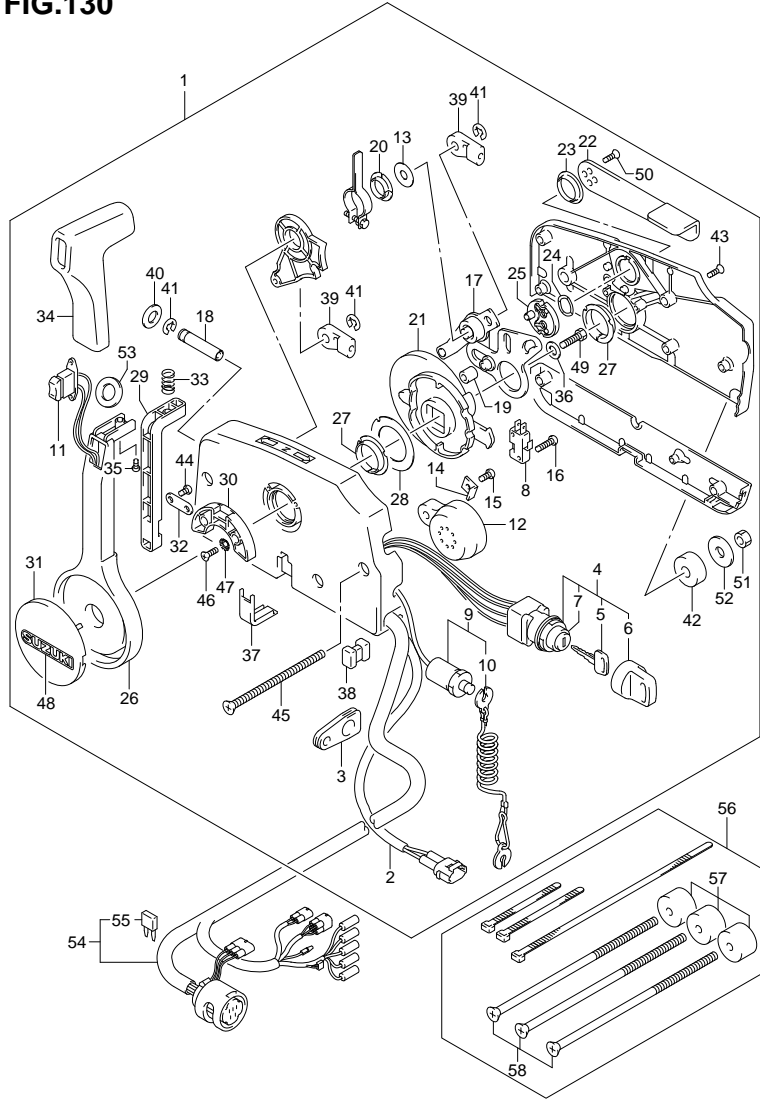


FIG.130

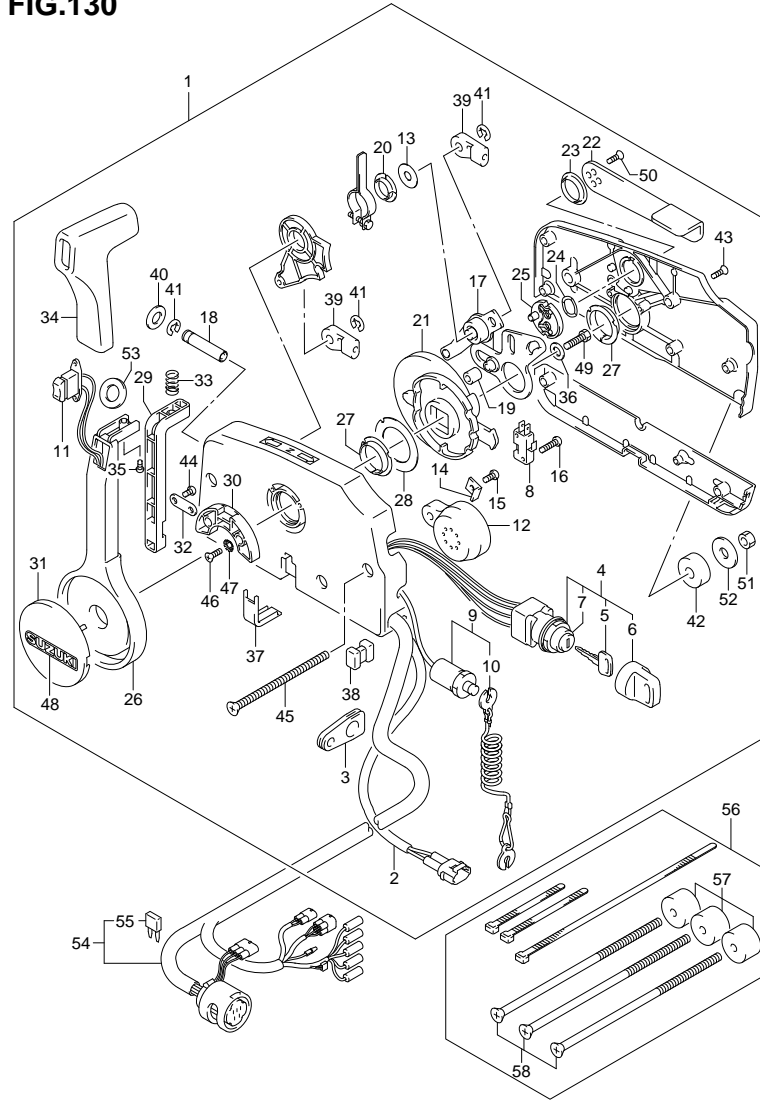


FIG.130 (2-B-10) OPT:REMOTE CONTROL (DF100T F1)

REF NO.	PART NO.	DESCRIPTION	Q'TY	REMARKS
22	67241-99E10	·LEVER, FREE THROTTLE	1	
23	67243-95600	·BUSH	1	
24	67244-95600	·WASHER, WAVE	1	
25	67245-95600	·DRUM, FREE THROTTLE	1	
26	67251-99E10	·LEVER, HANDLE	1	
27	67252-95600	·BUSH	2	
28	67253-95600	·WASHER	1	
29	67255-99E00	·ARM, LOCK	1	
30	67256-95600	·HOLDER, NEUT LOCK	1	
31	67257-99E00	·CAP, LEVER	1	
32	67258-99E00	·BRACKET, LOCK ARM	1	
33	67259-87D00	·SPRING, NEUTRAL ARM	1	
34	67261-99E00	·GRIP	1	
35	67296-94310	·SCREW	1	
36	67264-95600	·WASHER	1	
37	67267-95610	·COVER, WIRE	1	
38	67273-95600	·SPACER	1	
39	67275-95600	·END, CABLE	2	
40	67288-92E00	·WASHER, BRAKE ADJ KNOB	1	
41	67292-94300	·E RING	3	
42	67294-95600	·SPACER	3	
43	67296-90J00	·SCREW	5	
44	67296-94300	·SCREW	2	
45	67296-95600	·SCREW	3	
46	67296-95610	·SCREW	2	
47	67297-95600	·WASHER	2	
48	68165-16B00-13L	·EMBLEM (SILVER)	1	
49	09100-08232	·BOLT (8X30)	1	
50	09126-05003	·SCREW (5X12)	2	
51	09140-06020	·NUT	3	
52	09160-06104	·WASHER (6.5X24X2)	3	
53	37859-90J00	·SPACER	1	

FIG.130

FIG.130 (2-B-11) OPT:REMOTE CONTROL (DF100T F1)

REF NO.	PART NO.	DESCRIPTION	Q'TY	REMARKS
54	36620-93J02	WIRE ASSY, REMOTE CONTROL	1	
55	09481-10501	·FUSE (10A)	1	
56	67140-95600	ATTACHMENT, TWIN REMOCON KIT	1	
57	67294-95600	·SPACER	3	
58	67296-95620	·SCREW	3	L:165

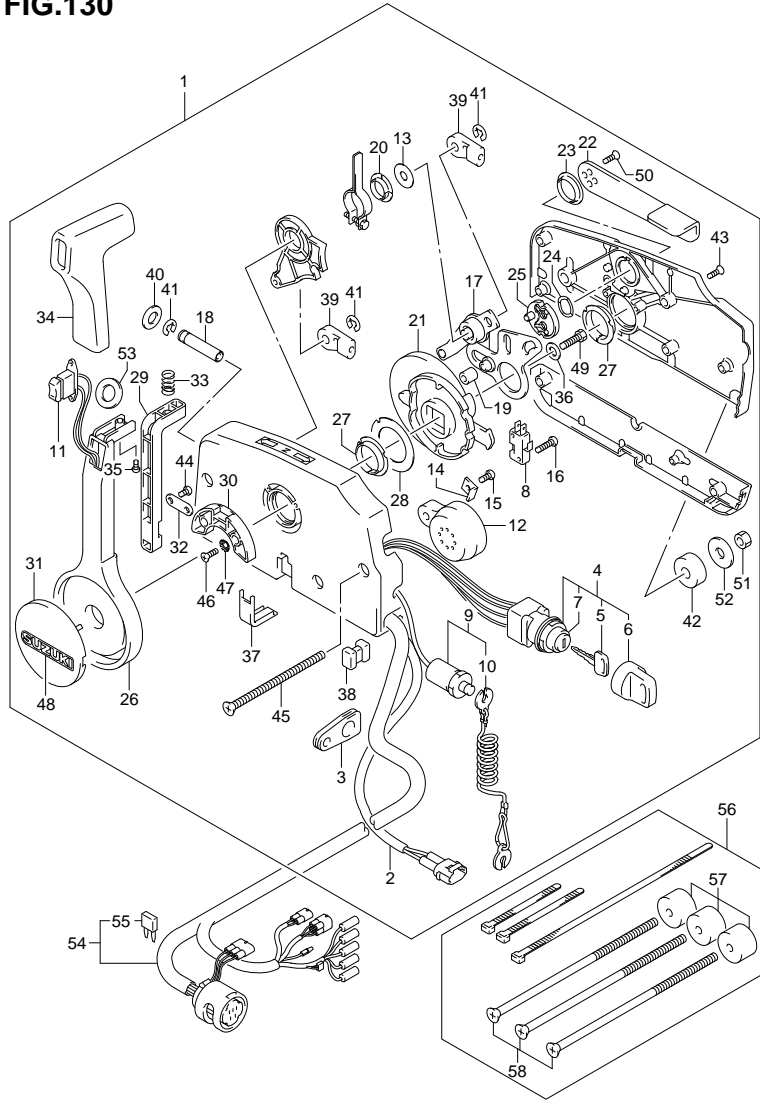


FIG.131

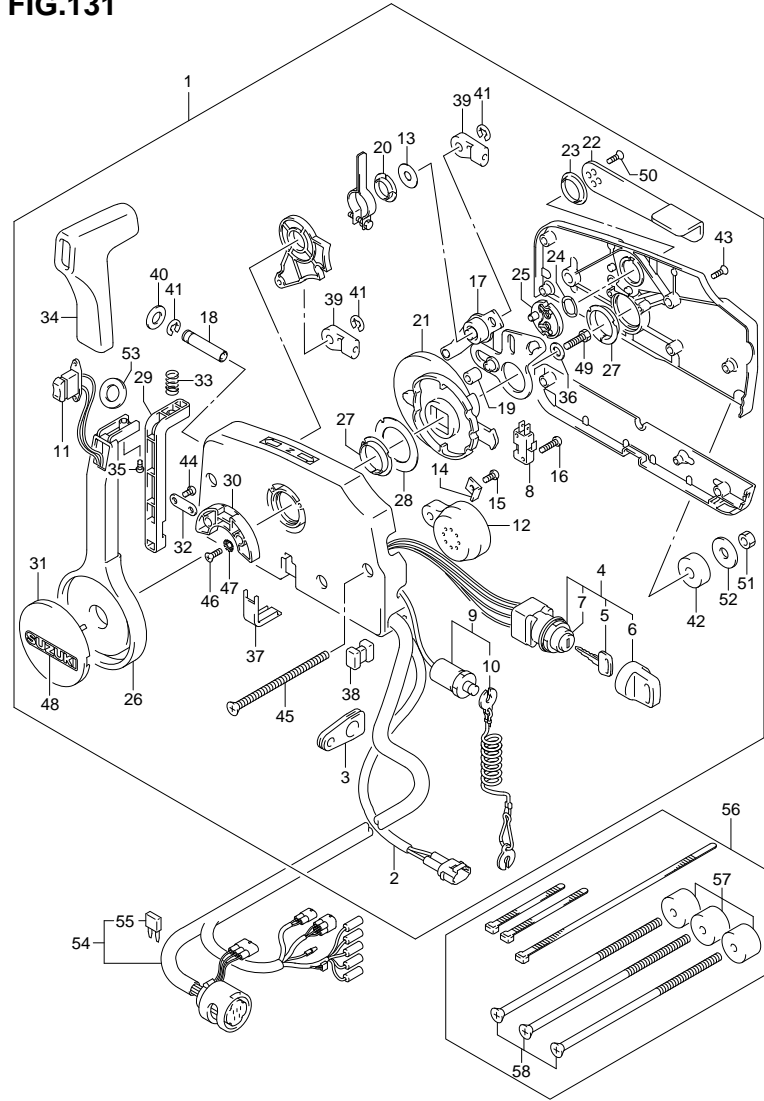


FIG.131 (2-B-12) OPT:REMOTE CONTROL (DF100T F40)

REF. NO.	PART NO.	DESCRIPTION	Q'TY	REMARKS
1	67200-93J03	REMOTE CONTROL ASSY	1	
2	36646-93J00	·WIRE ASSY, PTT SW ADAPTER	1	
3	36628-92E00	·GROMMET, WIRE HARNESS	1	
4	37110-93J00	·SWITCH ASSY, IGNITION	1	
5-1	37141-99E00	··KEY (931)	2	
5-2	37141-99E10	··KEY (932)	2	
5-3	37141-99E20	··KEY (933)	2	
5-4	37141-99E30	··KEY (934)	2	
5-5	37141-99E40	··KEY (935)	2	
5-6	37141-99E50	··KEY (936)	2	
5-7	37141-99E60	··KEY (937)	2	
5-8	37141-99E70	··KEY (938)	2	
5-9	37141-99E80	··KEY (939)	2	
5-10	37141-99E90	··KEY (940)	2	
5-11	37141-99EA0	··KEY (941)	2	
5-12	37141-99EB0	··KEY (942)	2	
6	37143-99E00	··CAP, KEY	2	
7	37149-93J00	··CAP, CYLINDER BODY	1	
8	37721-93J90	·SWITCH, NEUTRAL	1	
9	37820-93J03	·SWITCH ASSY, EMERGENCY	1	
10	37823-92E01	··PLATE	1	
11	37850-90J05	·SWITCH ASSY, PTT	1	
12	38500-93J90	·BUZZER	1	
13	67212-95600	·WASHER	1	
14	67213-92E00	·BRACKET, BUZZER	1	
15	09125-05042	·SCREW (5X10)	1	
16	67296-92E10	·SCREW, NEUTRAL SW	2	
17	67220-95630	·PLATE ASSY	1	
18	67223-99E10	·KNOB, BRAKE ADJ	1	
19	67229-95600	·ROLLER	1	
20	67232-95600	·BUSH	1	
21	67238-87D00	·GEAR, DRIVE	1	

FIG.131

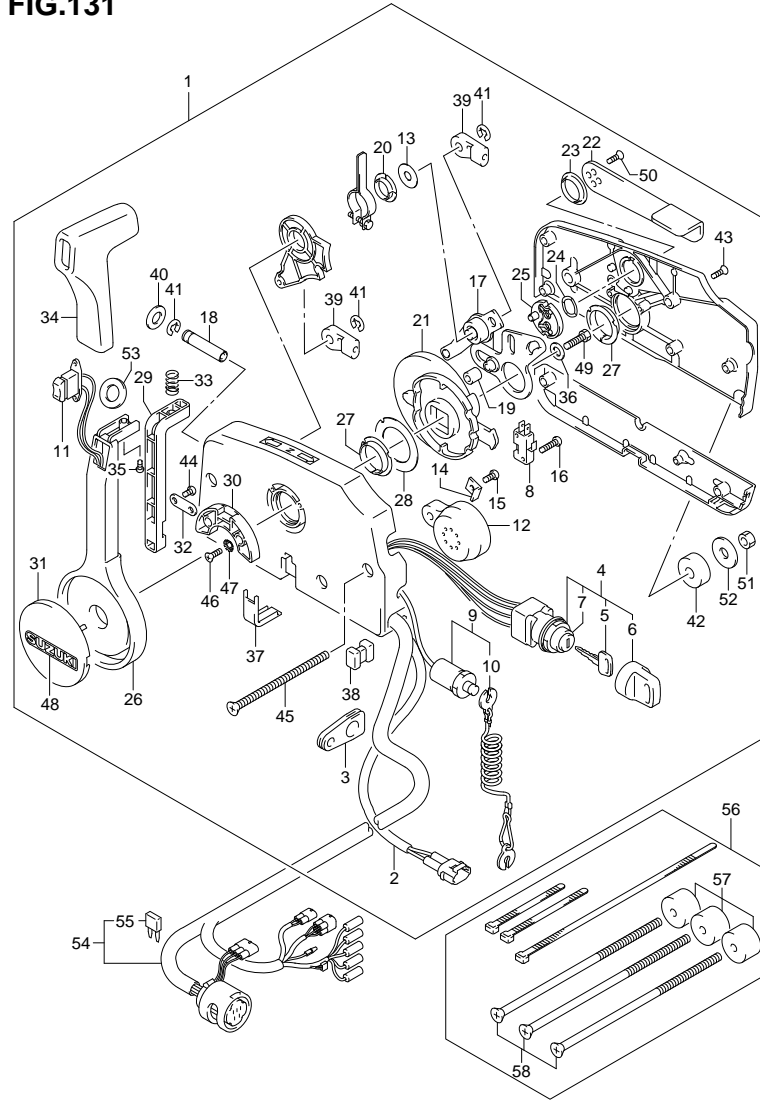


FIG.131 (2-B-13) OPT:REMOTE CONTROL (DF100T F40)

REF NO.	PART NO.	DESCRIPTION	Q'TY	REMARKS
22	67241-99E10	·LEVER, FREE THROTTLE	1	
23	67243-95600	·BUSH	1	
24	67244-95600	·WASHER, WAVE	1	
25	67245-95600	·DRUM, FREE THROTTLE	1	
26	67251-99E10	·LEVER, HANDLE	1	
27	67252-95600	·BUSH	2	
28	67253-95600	·WASHER	1	
29	67255-99E00	·ARM, LOCK	1	
30	67256-95600	·HOLDER, NEUT LOCK	1	
31	67257-99E00	·CAP, LEVER	1	
32	67258-99E00	·BRACKET, LOCK ARM	1	
33	67259-87D00	·SPRING, NEUTRAL ARM	1	
34	67261-99E00	·GRIP	1	
35	67296-94310	·SCREW	1	
36	67264-95600	·WASHER	1	
37	67267-95610	·COVER, WIRE	1	
38	67273-95600	·SPACER	1	
39	67275-95600	·END, CABLE	2	
40	67288-92E00	·WASHER, BRAKE ADJ KNOB	1	
41	67292-94300	·E RING	3	
42	67294-95600	·SPACER	3	
43	67296-90J00	·SCREW	5	
44	67296-94300	·SCREW	2	
45	67296-95600	·SCREW	3	
46	67296-95610	·SCREW	2	
47	67297-95600	·WASHER	2	
48	68165-16B00-13L	·EMBLEM (SILVER)	1	
49	09100-08232	·BOLT (8X30)	1	
50	09126-05003	·SCREW (5X12)	2	
51	09140-06020	·NUT	3	
52	09160-06104	·WASHER (6.5X24X2)	3	
53	37859-90J00	·SPACER	1	

FIG.131

FIG.131 (2-B-14) OPT:REMOTE CONTROL (DF100T F40)

REF NO.	PART NO.	DESCRIPTION	Q'TY	REMARKS
54	36620-93J02	WIRE ASSY, REMOTE CONTROL	1	
55	09481-10501	·FUSE (10A)	1	
56	67140-95600	ATTACHMENT, TWIN REMOCON KIT	1	
57	67294-95600	·SPACER	3	
58	67296-95620	·SCREW	3	L:165

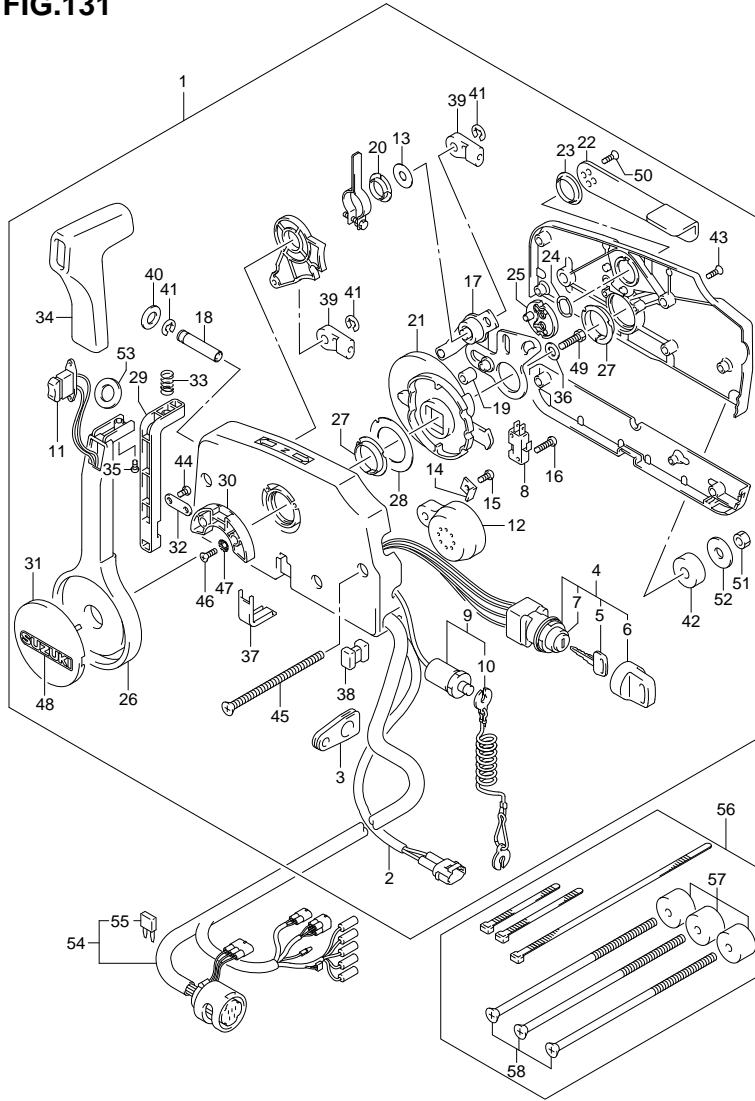


FIG.132

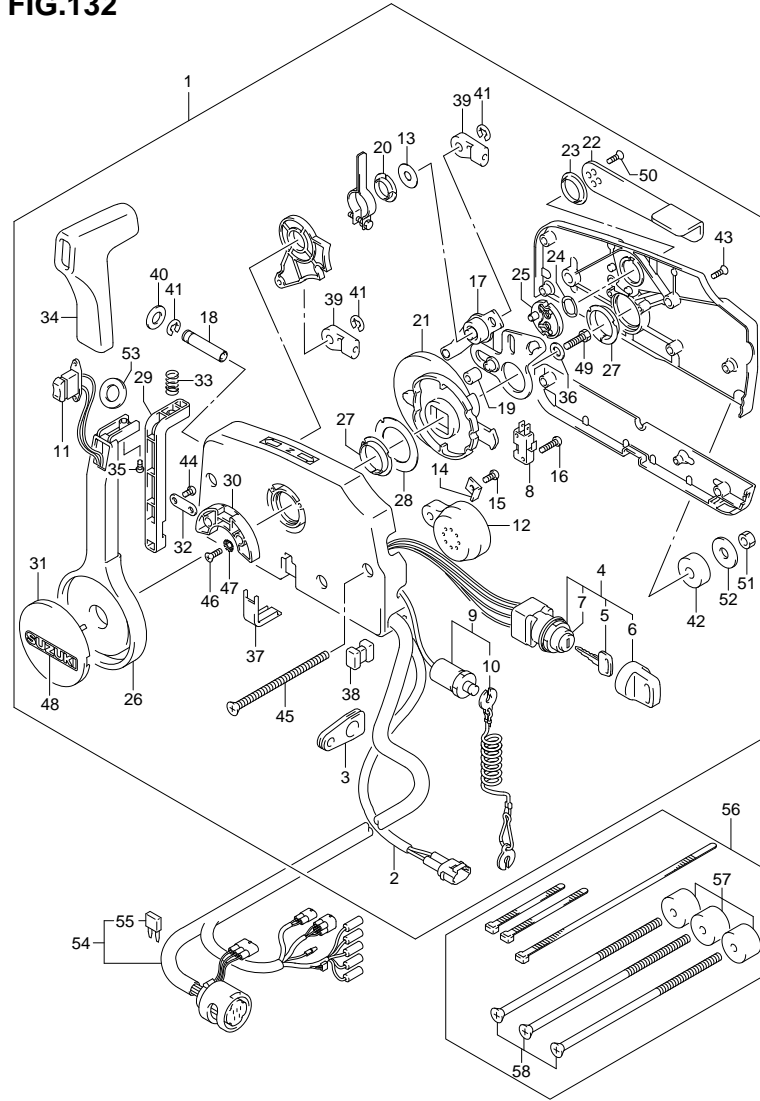


FIG.132 (2-B-15) OPT:REMOTE CONTROL (DF115T F1)

REF NO.	PART NO.	DESCRIPTION	Q'TY	REMARKS
1	67200-93J03	REMOTE CONTROL ASSY	1	
2	36646-93J00	·WIRE ASSY, PTT SW ADAPTER	1	
3	36628-92E00	·GROMMET, WIRE HARNESS	1	
4	37110-93J00	·SWITCH ASSY, IGNITION	1	
5-1	37141-99E00	··KEY (931)	2	
5-2	37141-99E10	··KEY (932)	2	
5-3	37141-99E20	··KEY (933)	2	
5-4	37141-99E30	··KEY (934)	2	
5-5	37141-99E40	··KEY (935)	2	
5-6	37141-99E50	··KEY (936)	2	
5-7	37141-99E60	··KEY (937)	2	
5-8	37141-99E70	··KEY (938)	2	
5-9	37141-99E80	··KEY (939)	2	
5-10	37141-99E90	··KEY (940)	2	
5-11	37141-99EA0	··KEY (941)	2	
5-12	37141-99EB0	··KEY (942)	2	
6	37143-99E00	··CAP, KEY	2	
7	37149-93J00	··CAP, CYLINDER BODY	1	
8	37721-93J90	·SWITCH, NEUTRAL	1	
9	37820-93J03	·SWITCH ASSY, EMERGENCY	1	
10	37823-92E01	··PLATE	1	
11	37850-90J05	·SWITCH ASSY, PTT	1	
12	38500-93J90	·BUZZER	1	
13	67212-95600	·WASHER	1	
14	67213-92E00	·BRACKET, BUZZER	1	
15	09125-05042	·SCREW (5X10)	1	
16	67296-92E10	·SCREW, NEUTRAL SW	2	
17	67220-95630	·PLATE ASSY	1	
18	67223-99E10	·KNOB, BRAKE ADJ	1	
19	67229-95600	·ROLLER	1	
20	67232-95600	·BUSH	1	
21	67238-87D00	·GEAR, DRIVE	1	

FIG.132

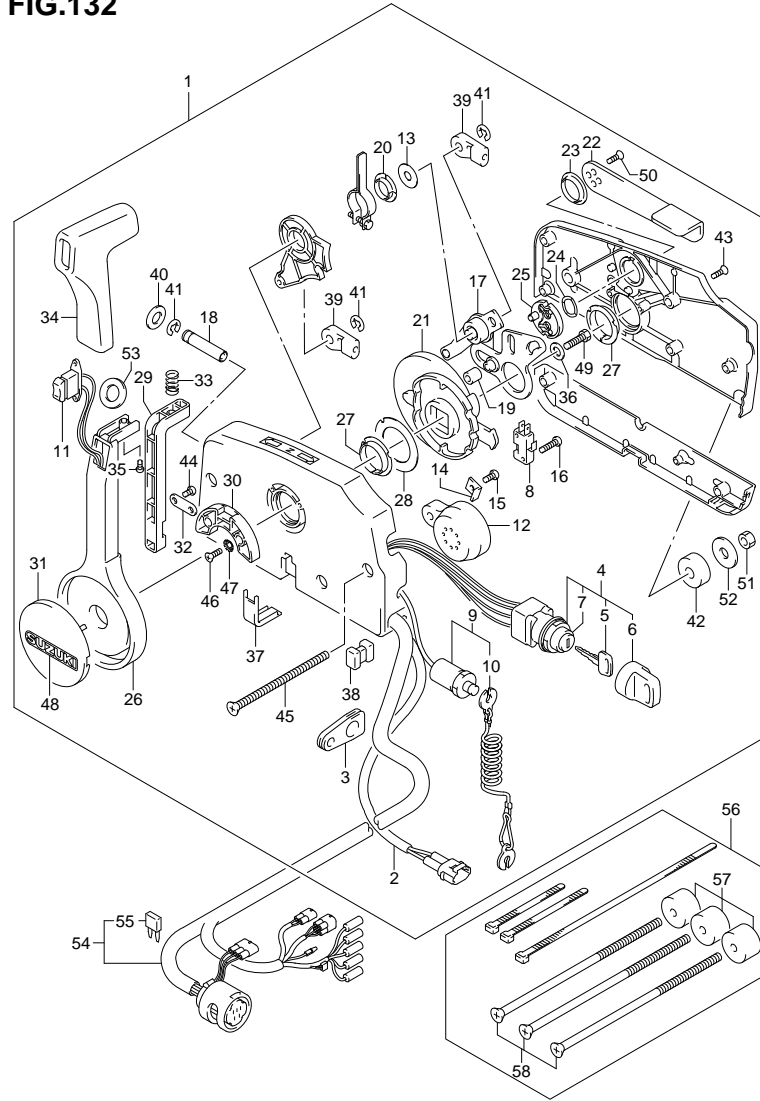


FIG.132 (2-C-2) OPT:REMOTE CONTROL (DF115T F1)

REF NO.	PART NO.	DESCRIPTION	Q'TY	REMARKS
22	67241-99E10	·LEVER, FREE THROTTLE	1	
23	67243-95600	·BUSH	1	
24	67244-95600	·WASHER, WAVE	1	
25	67245-95600	·DRUM, FREE THROTTLE	1	
26	67251-99E10	·LEVER, HANDLE	1	
27	67252-95600	·BUSH	2	
28	67253-95600	·WASHER	1	
29	67255-99E00	·ARM, LOCK	1	
30	67256-95600	·HOLDER, NEUT LOCK	1	
31	67257-99E00	·CAP, LEVER	1	
32	67258-99E00	·BRACKET, LOCK ARM	1	
33	67259-87D00	·SPRING, NEUTRAL ARM	1	
34	67261-99E00	·GRIP	1	
35	67296-94310	·SCREW	1	
36	67264-95600	·WASHER	1	
37	67267-95610	·COVER, WIRE	1	
38	67273-95600	·SPACER	1	
39	67275-95600	·END, CABLE	2	
40	67288-92E00	·WASHER, BRAKE ADJ KNOB	1	
41	67292-94300	·E RING	3	
42	67294-95600	·SPACER	3	
43	67296-90J00	·SCREW	5	
44	67296-94300	·SCREW	2	
45	67296-95600	·SCREW	3	
46	67296-95610	·SCREW	2	
47	67297-95600	·WASHER	2	
48	68165-16B00-13L	·EMBLEM (SILVER)	1	
49	09100-08232	·BOLT (8X30)	1	
50	09126-05003	·SCREW (5X12)	2	
51	09140-06020	·NUT	3	
52	09160-06104	·WASHER (6.5X24X2)	3	
53	37859-90J00	·SPACER	1	

FIG.132

FIG.132 (2-C-3) OPT:REMOTE CONTROL (DF115T F1)

REF NO.	PART NO.	DESCRIPTION	QTY	REMARKS
54	36620-93J02	WIRE ASSY, REMOTE CONTROL	1	
55	09481-10501	·FUSE (10A)	1	
56	67140-95600	ATTACHMENT, TWIN REMOCON KIT	1	
57	67294-95600	·SPACER	3	
58	67296-95620	·SCREW	3	L:165

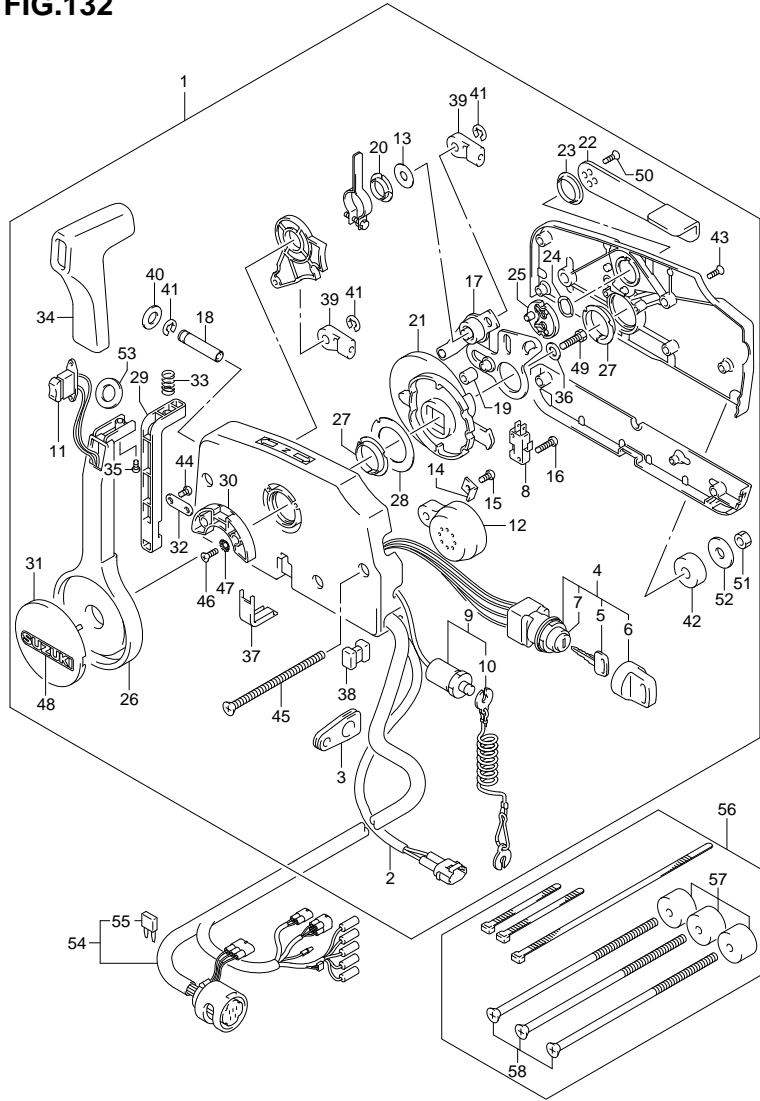


FIG.133

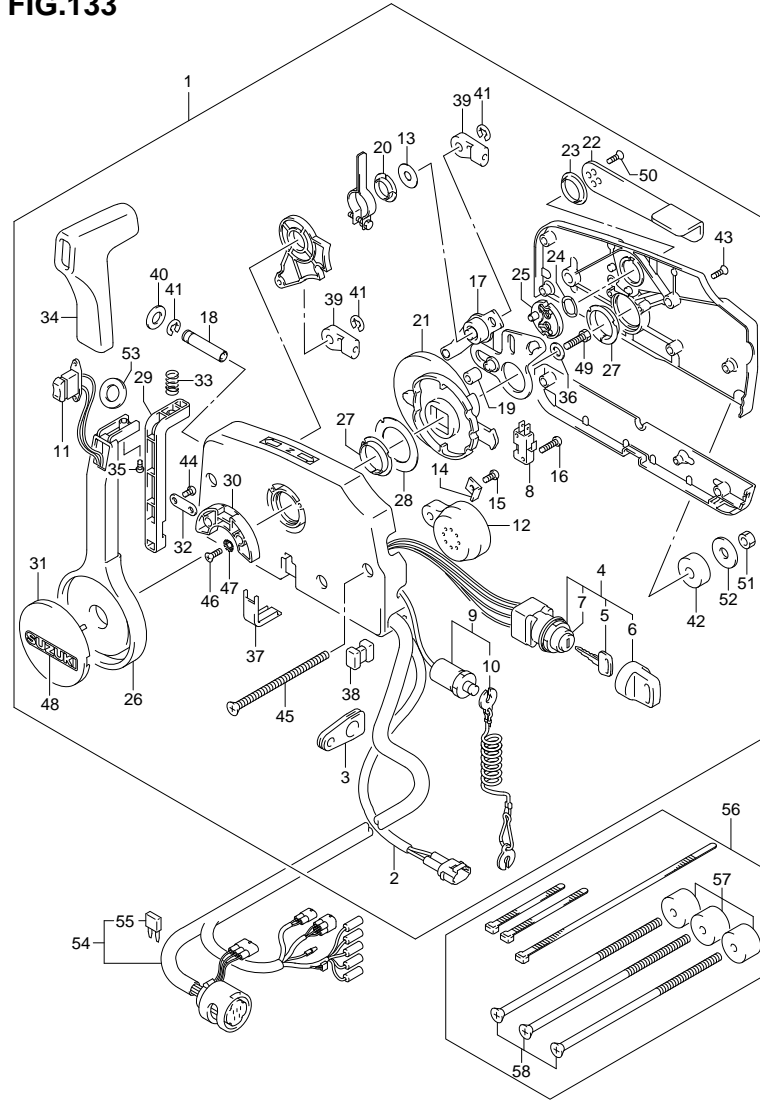


FIG.133 (2-C-4) OPT:REMOTE CONTROL (DF115T F40)

REF NO.	PART NO.	DESCRIPTION	Q'TY	REMARKS
1	67200-93J03	REMOTE CONTROL ASSY	1	
2	36646-93J00	·WIRE ASSY, PTT SW ADAPTER	1	
3	36628-92E00	·GROMMET, WIRE HARNESS	1	
4	37110-93J00	·SWITCH ASSY, IGNITION	1	
5-1	37141-99E00	··KEY (931)	2	
5-2	37141-99E10	··KEY (932)	2	
5-3	37141-99E20	··KEY (933)	2	
5-4	37141-99E30	··KEY (934)	2	
5-5	37141-99E40	··KEY (935)	2	
5-6	37141-99E50	··KEY (936)	2	
5-7	37141-99E60	··KEY (937)	2	
5-8	37141-99E70	··KEY (938)	2	
5-9	37141-99E80	··KEY (939)	2	
5-10	37141-99E90	··KEY (940)	2	
5-11	37141-99EA0	··KEY (941)	2	
5-12	37141-99EB0	··KEY (942)	2	
6	37143-99E00	··CAP, KEY	2	
7	37149-93J00	··CAP, CYLINDER BODY	1	
8	37721-93J90	·SWITCH, NEUTRAL	1	
9	37820-93J03	·SWITCH ASSY, EMERGENCY	1	
10	37823-92E01	··PLATE	1	
11	37850-90J05	·SWITCH ASSY, PTT	1	
12	38500-93J90	·BUZZER	1	
13	67212-95600	·WASHER	1	
14	67213-92E00	·BRACKET, BUZZER	1	
15	09125-05042	·SCREW (5X10)	1	
16	67296-92E10	·SCREW, NEUTRAL SW	2	
17	67220-95630	·PLATE ASSY	1	
18	67223-99E10	·KNOB, BRAKE ADJ	1	
19	67229-95600	·ROLLER	1	
20	67232-95600	·BUSH	1	
21	67238-87D00	·GEAR, DRIVE	1	

FIG.133

FIG.133 (2-C-5) OPT:REMOTE CONTROL (DF115T F40)

REF NO.	PART NO.	DESCRIPTION	Q'TY	REMARKS
22	67241-99E10	·LEVER, FREE THROTTLE	1	
23	67243-95600	·BUSH	1	
24	67244-95600	·WASHER, WAVE	1	
25	67245-95600	·DRUM, FREE THROTTLE	1	
26	67251-99E10	·LEVER, HANDLE	1	
27	67252-95600	·BUSH	2	
28	67253-95600	·WASHER	1	
29	67255-99E00	·ARM, LOCK	1	
30	67256-95600	·HOLDER, NEUT LOCK	1	
31	67257-99E00	·CAP, LEVER	1	
32	67258-99E00	·BRACKET, LOCK ARM	1	
33	67259-87D00	·SPRING, NEUTRAL ARM	1	
34	67261-99E00	·GRIP	1	
35	67296-94310	·SCREW	1	
36	67264-95600	·WASHER	1	
37	67267-95610	·COVER, WIRE	1	
38	67273-95600	·SPACER	1	
39	67275-95600	·END, CABLE	2	
40	67288-92E00	·WASHER, BRAKE ADJ KNOB	1	
41	67292-94300	·E RING	3	
42	67294-95600	·SPACER	3	
43	67296-90J00	·SCREW	5	
44	67296-94300	·SCREW	2	
45	67296-95600	·SCREW	3	
46	67296-95610	·SCREW	2	
47	67297-95600	·WASHER	2	
48	68165-16B00-13L	·EMBLEM (SILVER)	1	
49	09100-08232	·BOLT (8X30)	1	
50	09126-05003	·SCREW (5X12)	2	
51	09140-06020	·NUT	3	
52	09160-06104	·WASHER (6.5X24X2)	3	
53	37859-90J00	·SPACER	1	

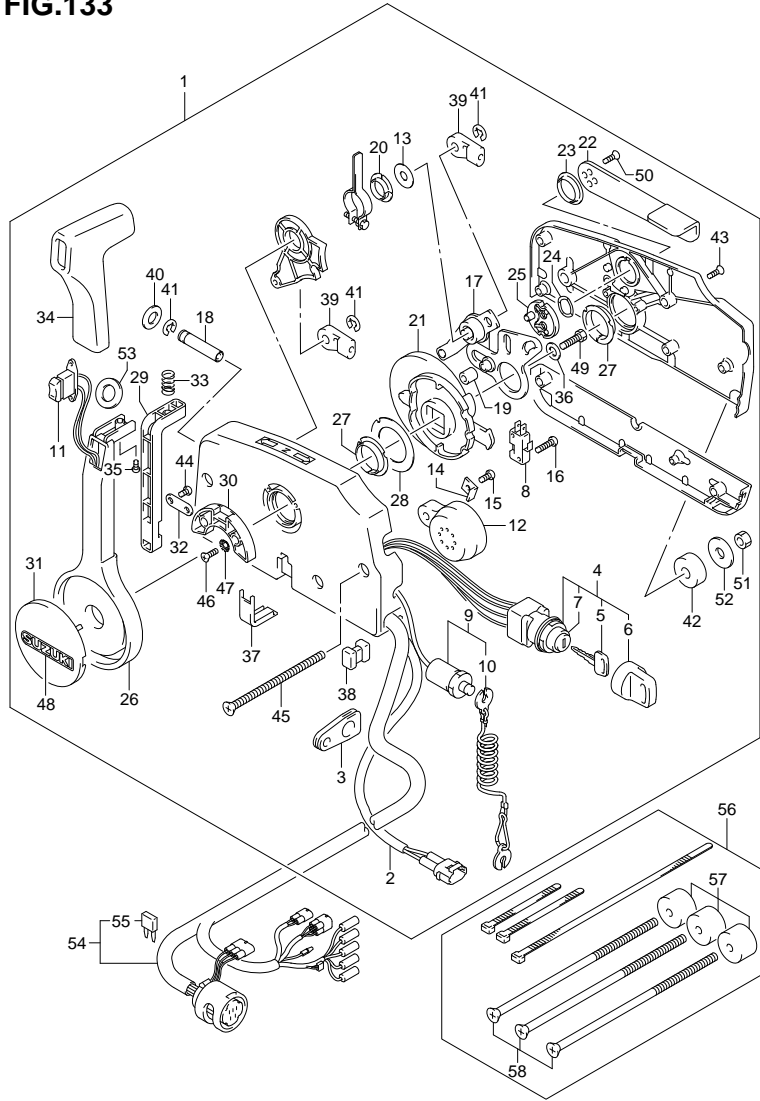


FIG.133

FIG.133 (2-C-6) OPT:REMOTE CONTROL (DF115T F40)

REF NO.	PART NO.	DESCRIPTION	Q'TY	REMARKS
54	36620-93J02	WIRE ASSY, REMOTE CONTROL	1	
55	09481-10501	·FUSE (10A)	1	
56	67140-95600	ATTACHMENT, TWIN REMOCON KIT	1	
57	67294-95600	·SPACER	3	
58	67296-95620	·SCREW	3	L:165

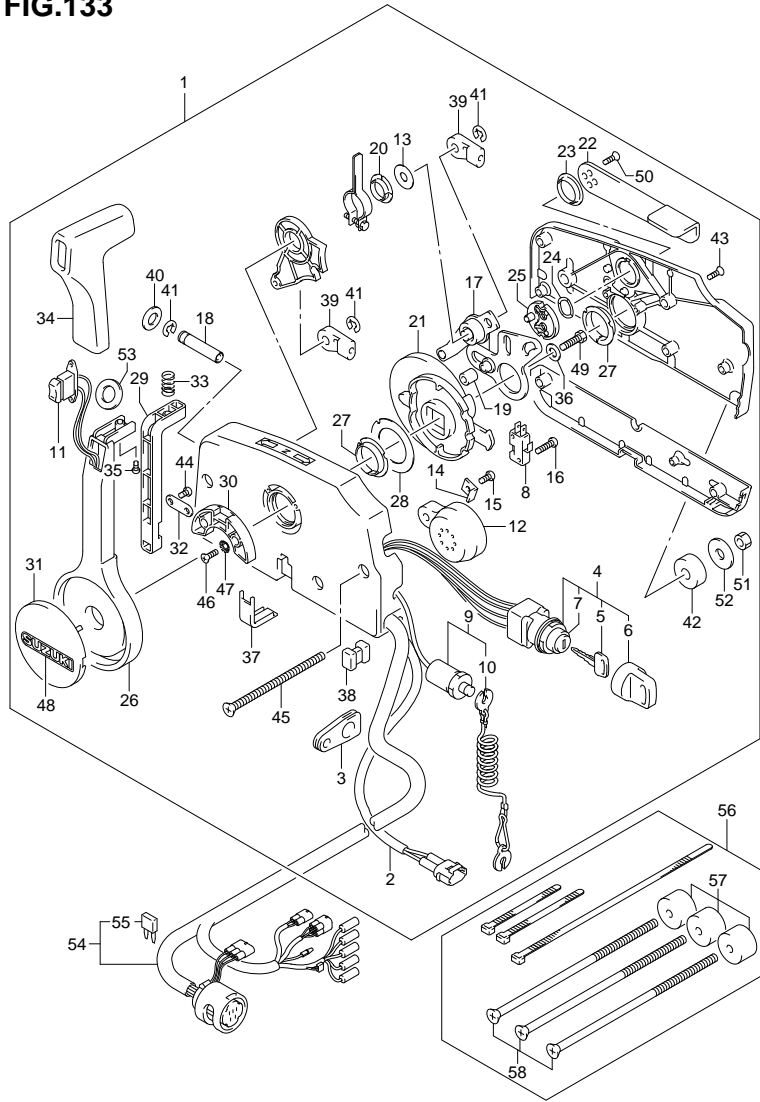


FIG.134

FIG.134 (2-C-7) OPT:REMOTE CONTROL (DF115Z E1)

REF NO.	PART NO.	DESCRIPTION	QTY	REMARKS
1	67140-95600	ATTACHMENT, TWIN REMOCON KIT	1	
2	67294-95600	·SPACER	3	
3	67296-95620	·SCREW	3	L:165

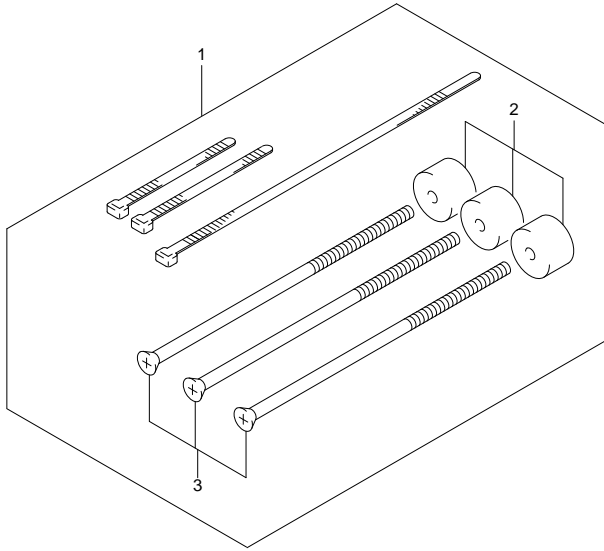


FIG.135

FIG.135 (2-C-8) OPT:REMOTE CONTROL (DF115Z F40)

REF NO.	PART NO.	DESCRIPTION	QTY	REMARKS
1	67140-95600	ATTACHMENT, TWIN REMOCON KIT	1	
2	67294-95600	·SPACER	3	
3	67296-95620	·SCREW	3	L:165

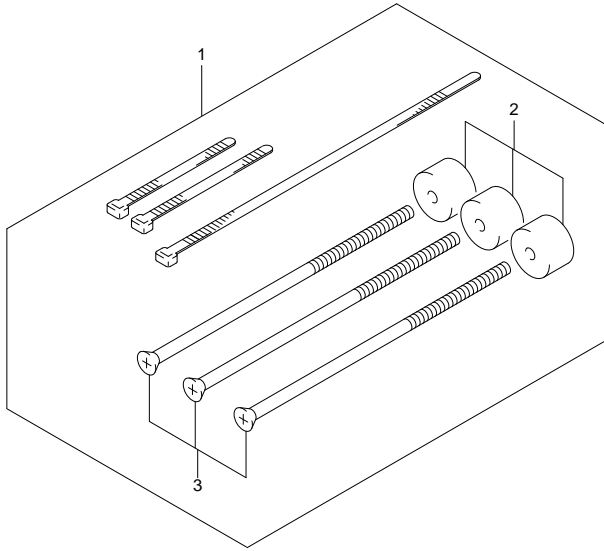


FIG.136

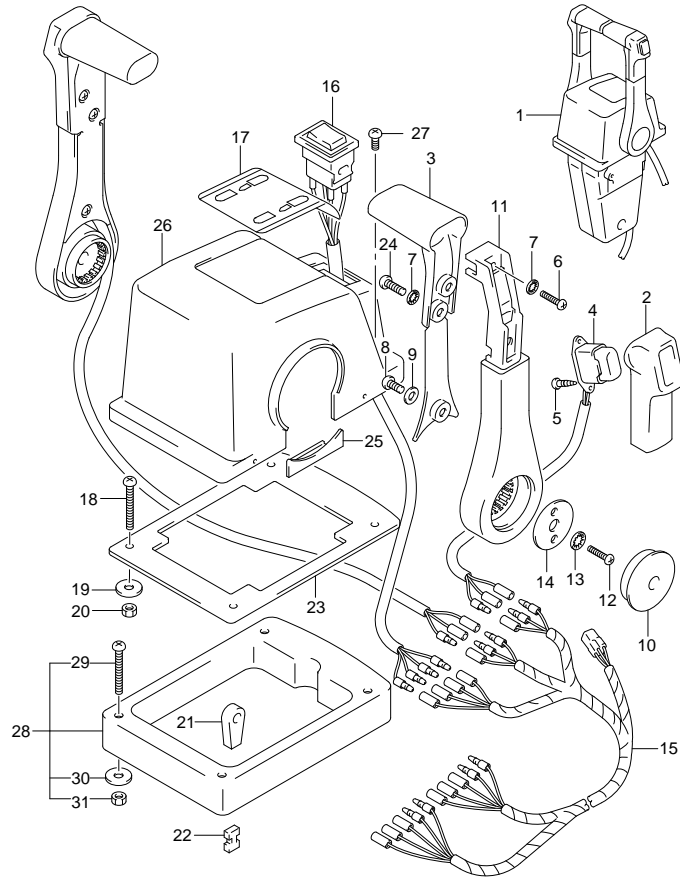


FIG.136 (2-C-9) OPT:TOP MOUNT DUAL (1)

REF NO.	PART NO.	DESCRIPTION	QTY	REMARKS
1	67200-93J23	REMOTE CONTROL ASSY, TWIN	1	
2	67261-93J00	·GRIP, NO.1	2	
3	67263-93J00	·GRIP, NO.2	2	
4	37850-93J10	·SWITCH ASSY, PTT	2	
5	67295-92E10	·SCREW	4	
6	67296-88D10	·SCREW	2	
7	67288-92E20	·WASHER	6	
8	67296-92E70	·SCREW	2	
9	67288-92E40	·WASHER	2	
10	67257-92E00	·CAP, LEVER	2	
11	67251-93J00	·LEVER, HANDLE	2	
12	67296-92E60	·SCREW	4	
13	67288-92E30	·WASHER	4	
14	67253-92E00	·WASHER	2	
15	36890-93J10	·WIRE	1	

FIG.136

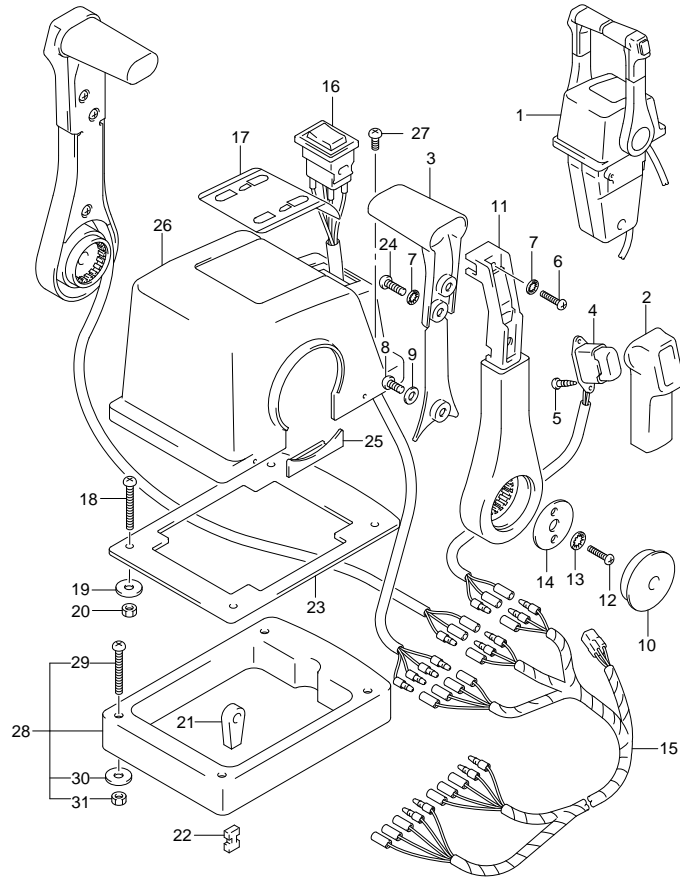


FIG.136 (2-C-10) OPT:TOP MOUNT DUAL (1)

REF NO.	PART NO.	DESCRIPTION	QTY	REMARKS
16	37220-92E00	·SWITCH ASSY, MODE CHANGING	1	
17	67282-93J00	·DECAL	1	
18	67296-92E30	·SCREW	4	
19	09160-05024	·WASHER (5.5X16X1.5)	4	
20	67287-92E00	·NUT	4	
21	67275-95600	·END, CABLE	4	
22	67273-95600	·SPACER	2	
23	67273-92E10	·GROMMET	1	
24	67295-92E00	·SCREW	4	
25	67271-92E00	·COVER	2	
26	67211-93J10	·COVER	1	
27	67296-92E70	·SCREW	2	
28	67500-93J10	KIT, REMOCON SPACER TWIN	1	
29	09125-05135	·SCREW (5X65)	4	
30	09160-05029	·WASHER (5.5X12X0.8)	4	
31	09140-05005	·NUT	4	

FIG.137

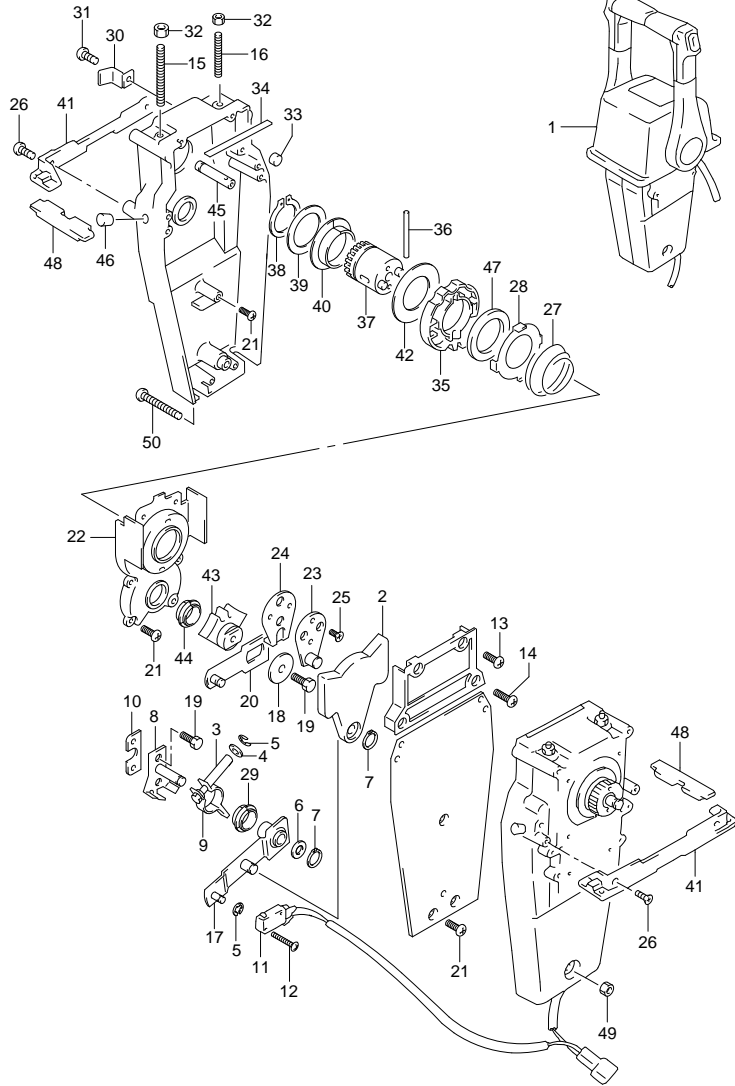


FIG.137 (2-C-11) OPT:TOP MOUNT DUAL (2)

REF NO.	PART NO.	DESCRIPTION	Q'TY	REMARKS
1	67200-93J23	REMOTE CONTROL ASSY, TWIN	1	
2	67222-92E00	·DUAL PLATE	2	
3	67223-92E00	·BRAKE ADJUST	2	
4	67288-92E00	·WASHER	2	
5	67292-94300	·E RING	8	
6	67288-92E10	·WASHER	2	
7	67291-92E00	·SNAP RING	4	
8	67221-92E00	·SHIFT ASSY	2	
9	67224-92E00	·BRAKE ARM ASSY	2	
10	67294-92E00	·SPACER	2	
11	37721-92E10	·SWITCH ASSY, N/R	1	
12	67296-92E10	·SCREW	4	
13	67296-88D10	·SCREW	4	
14	67296-92E20	·SCREW	4	
15	67226-92E00	·BOLT, STOPPER FRONT	2	
16	67226-92E10	·BOLT, STOPPER RR	2	
17	67240-92E00	·ARM ASSY, THROTTLE	2	
18	67228-92E00	·WASHER	2	
19	67286-92E00	·BOLT	6	
20	67230-92E00	·ARM ASSY, SHIFT	2	
21	09125-05042	·SCREW (5X10)	16	5X10
22	67234-92E00	·CASE, GEAR	2	
23	67245-92E00	·LEVER ASSY, THROTTLE	2	
24	67227-92E00	·STOPPER	2	
25	09126-06006	·SCREW (6X20)	4	
26	67296-95610	·SCREW	4	

FIG.137

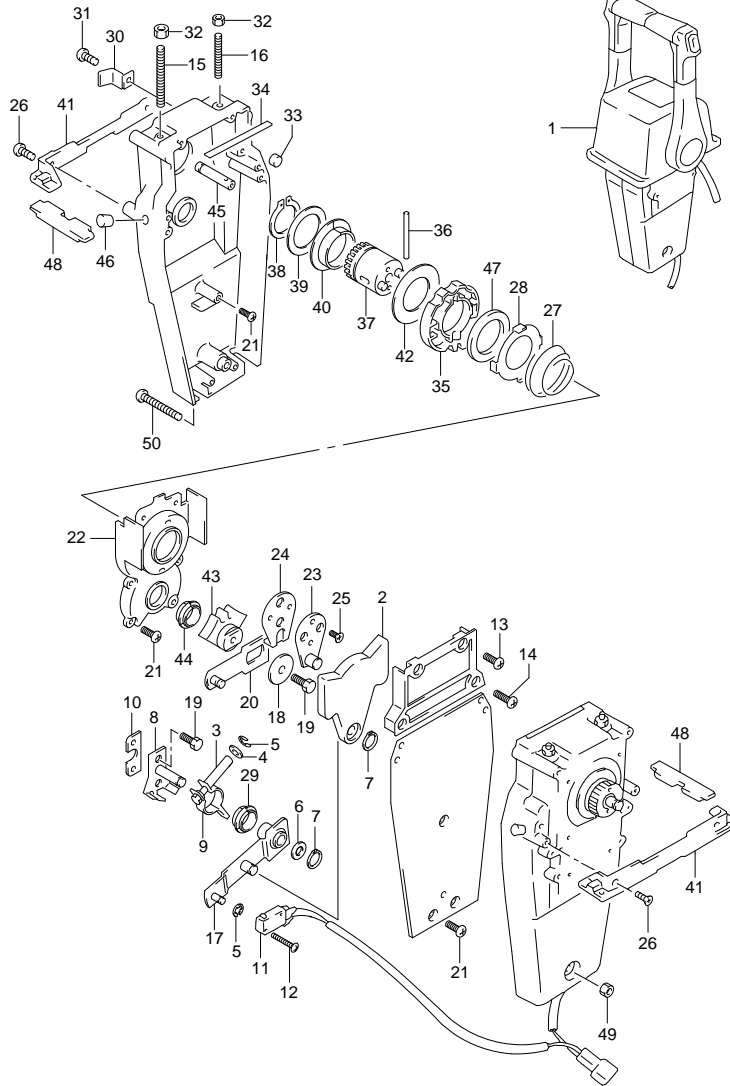


FIG.137 (2-C-12) OPT:TOP MOUNT DUAL (2)

REF NO.	PART NO.	DESCRIPTION	Q'TY	REMARKS
27	67233-92E00	·SPRING	2	
28	67235-92E00	·PLATE, SHIFT LOCK	2	
29	67232-95620	·BUSH	2	
30	67269-92E00	·BRACKET	2	
31	67296-88D10	·SCREW	2	
32	09140-06020	·NUT	4	
33	67236-92E00	·ROLLER	2	
34	67237-92E01	·SPRING	12	
35	67238-92E00	·GEAR, DRIVE	2	
36	67239-92E00	·PIN	2	
37	67246-92E00	·SHAFT, DRIVE	2	
38	67291-92E10	·SNAP RING	2	
39	67253-92E10	·WASHER	2	
40	67252-92E10	·BUSH	2	
41	67274-92E00	·FLANGE	2	
42	67253-95600	·WASHER	2	
43	67231-92E00	·GEAR, SHIFT	2	
44	67232-95600	·BUSH	2	
45	67241-92E10	·ROD, FREE ACC	2	
46	67243-92E00	·CAP, HOLE	2	
47	67239-92E10	·PLATE, SHIFT PIN	2	
48	67272-92E10	·SEAL, FLANGE	2	
49	67287-92E10	·NUT	1	
50	67296-92E80	·SCREW	3	

FIG.138

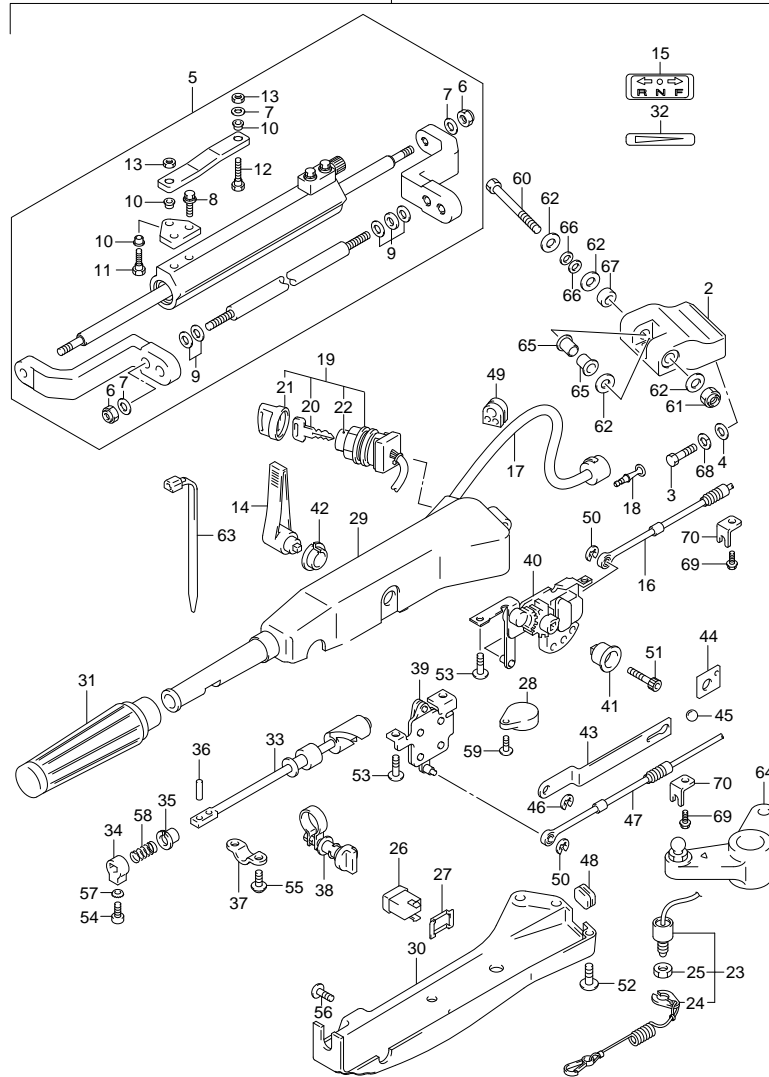
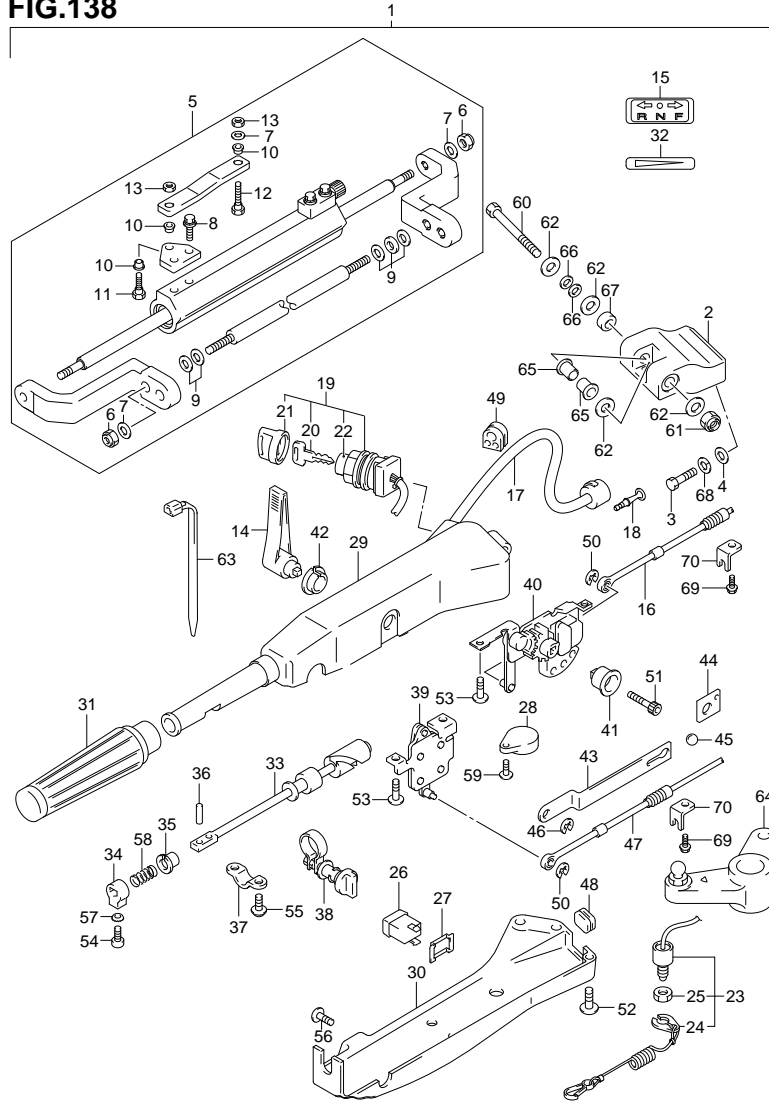


FIG.138 (2-C-13) OPT:TILLER HANDLE

REF NO.	PART NO.	DESCRIPTION	QTY	REMARKS
1	63002-90J26-0EP	KIT, TILLER HANDLE (BLACK)	1	
2	43761-90J02-0EP	·BRACKET, TILLER HANDLE	1	BLACK
3	43769-90J00	·BOLT, TILLER HANDLE	2	
4	09160-12066	·WASHER (12.5X22X2.5)	2	
5	43770-90J00	·DAMPER ASSY, STEERING	1	
6	43778-90J00	··NUT, ROD	4	
7	43779-90J00	··WASHER, ROD	5	
8	67725-90J00	··BOLT, DRAG LINK PLATE	2	
9	43781-90J00	··SPACER/WASHER SET	1	
10	67734-90J00	··BUSH, DRAG LINK	3	
11	67725-90J10	··BOLT, DRAG LINK	1	
12	67725-90J20	··BOLT, DRAG LINK	1	
13	67726-90J00	··NUT, DRAG LINK	2	
14	21111-87J10-0EP	·LEVER, SHIFT (BLACK)	1	
15	21131-96010	·MARK, SHIFT	1	
16	23230-90J00	·CABLE, SHIFT	1	
17	36620-90J20	·WIRE ASSY, HANDLE	1	
18	36615-96300	··TERMINAL	2	
19	37110-87J20	·SWITCH ASSY, IGNITION	1	
20-1	37141-99E00	··KEY (931)	1	
20-2	37141-99E10	··KEY (932)	1	
20-3	37141-99E20	··KEY (933)	1	
20-4	37141-99E30	··KEY (934)	1	
20-5	37141-99E40	··KEY (935)	1	
20-6	37141-99E50	··KEY (936)	1	
20-7	37141-99E60	··KEY (937)	1	
20-8	37141-99E70	··KEY (938)	1	
20-9	37141-99E80	··KEY (939)	1	
20-10	37141-99E90	··KEY (940)	1	
20-11	37141-99EA0	··KEY (941)	1	
20-12	37141-99EB0	··KEY (942)	1	
21	37143-99E00	··CAP, KEY	1	
22	37149-93J00	··CAP, CYLINDER BODY	1	

FIG.138



DF100 115 E01 012_138
OPT:TILLER HANDLE

FIG.138 (2-C-14) OPT:TILLER HANDLE

REF NO.	PART NO.	DESCRIPTION	Q'TY	REMARKS
23	37820-87J02	·SWITCH ASSY, EMERGENCY	1	
24	37823-92E01	··PLATE	1	
25	37826-92E00	··NUT	1	
26	37850-87J00	·SWITCH ASSY, TRIM	1	
27	37852-87J00	·PLATE, TRIM SWITCH	1	
28	38500-92X50	·BUZZER	1	
29	63111-87J10-0EP	·HOUSING, TILLER HANDLE	1	BLACK
30	63121-87J03	·COVER, UNDER	1	
31	63210-93E30	·GRIP, HANDLE	1	
32	63215-93110	·MARK, HANDLE GRIP	1	
33	63221-87J00	·SHAFT, THROTTLE	1	
34	63223-92D00	·STOPPER, HANDLE ROD	1	
35	63225-93200	·BUSH, HANDLE ROD	1	
36	63227-93200	·PIN, HANDLE ROD	1	
37	63235-87J00	·PLATE, THROTTLE SHAFT	1	
38	63240-87J00	·ADJUSTER, THROTTLE	1	
39	63250-87J01	·ARM ASSY, THROTTLE	1	
40	63260-87J02	·GEAR ASSY, SHIFT	1	
41	63261-87J00	·BUSH, SHIFT GEAR	1	
42	63262-87J00	·BUSH, SHIFT LEVER	1	
43	63271-87J00	·PLATE, LOCK	1	
44	63272-87J00	·PLATE, BALL GUIDE	1	
45	63273-87J00	·BALL	1	
46	63274-87J00	·E RING	1	
47	63610-90J00	·CABLE, THROTTLE	1	
48	63625-99E00	·GROMMET, THROTTLE CABLE	1	
49	63626-99E01	·GROMMET, WIRE HARNESS	1	
50	67292-87J00	·E RING	2	
51	09106-08099	·BOLT (8X50)	1	
52	09125-05047	·SCREW (5X14)	6	
53	09125-06069	·SCREW (6X12)	4	
54	09126-06015	·SCREW (6X23)	1	
55	09136-05008	·SCREW (5X12)	2	
56	09139-02003	·SCREW (2X6)	2	

DF100/115 E01 012

FIG.138

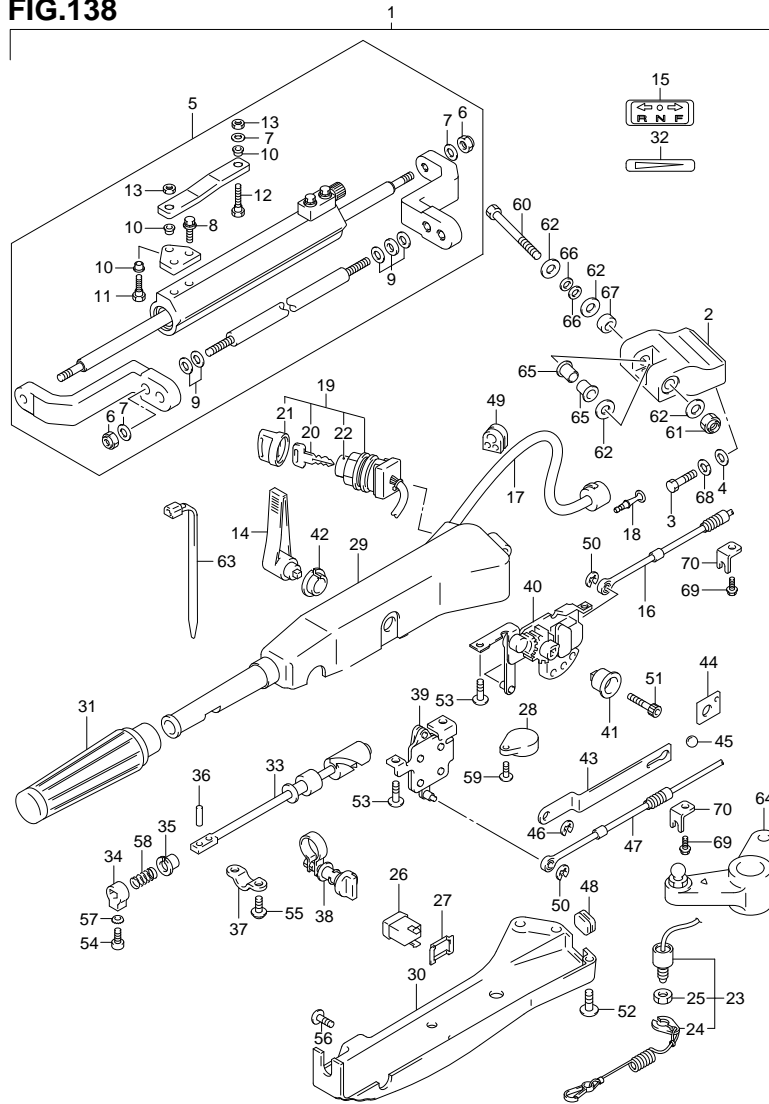


FIG.138 (2-C-15) OPT:TILLER HANDLE

REF NO.	PART NO.	DESCRIPTION	Q'TY	REMARKS
57	09163-06001	·LOCK WASHER	1	
58	09440-12027	·SPRING	1	
59	02142-05207	·SCREW	1	
60	09100-10264	·BOLT (10X80)	1	
61	09159-10050	·NUT	1	
62	09160-10114	·WASHER (10.5X22X1.5)	4	
63	09407-14403	·CLAMP (L:125)	1	
64	19140-90J10	·LEVER, THROTTLE	1	
65	09306-10020	·BUSH	2	
66	09164-10016	·WASHER	2	
67	43768-90J01	·SPACER, TILLER HANDLE	1	
68	29162-93J20	·WASHER LOCK	2	
69	63611-87J00	·BOLT, CLAMP BRACKET	2	
70	63612-87J00	·BRACKET, CLAMP	2	

FIG.139

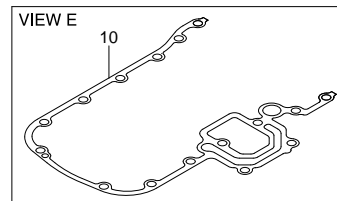
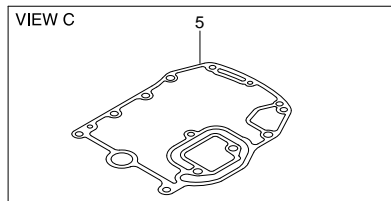
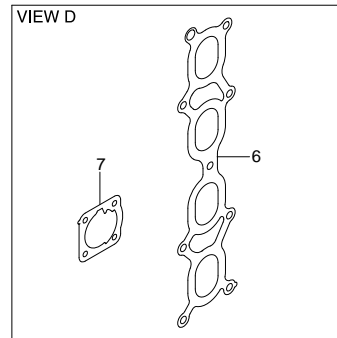
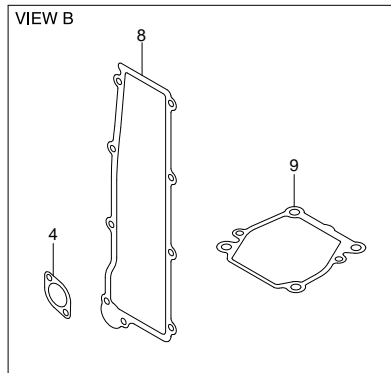
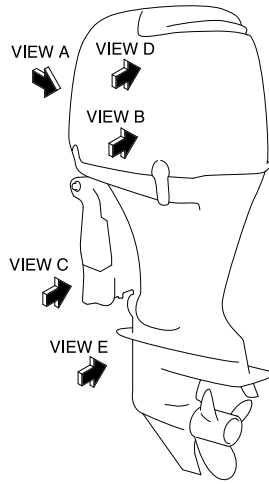
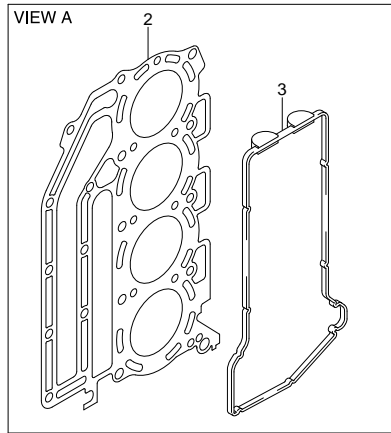


FIG.139 (2-D-2) OPT:GASKET SET (DF100T E1)

REF NO.	PART NO.	DESCRIPTION	Q'TY	REMARKS
1	11410-90820	GASKET SET	1	NOT ILLUSTRATED
2	11141-90J01	·GASKET, CYL HEAD	1	
3	11189-90J00	·GASKET, CYL HEAD COVER	1	
4	11265-87E10	·GASKET, PROTECTION COVER	2	
5	11489-90J00	·GASKET, OIL PAN	1	
6	13119-90J00	·GASKET, INTAKE MANIFOLD	1	
7	13421-90J00	·GASKET, THROTTLE BODY	1	
8	14151-90J00	·GASKET, RECTIFIER	1	
9	17472-87E10	·GASKET, PUMP CASE PANEL	1	
10	51211-90J21	·GASKET, ENGINE HOLDER	1	
11-1	99011-90J20-054	MANUAL, OWNER'S	1	NOT ILLUSTRATED 11 LANGUAGE
11-2	99011-90J20-059	MANUAL, OWNER'S	1	NOT ILLUSTRATED

FIG.140

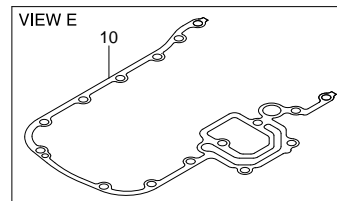
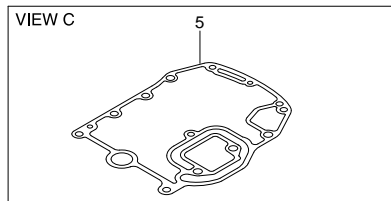
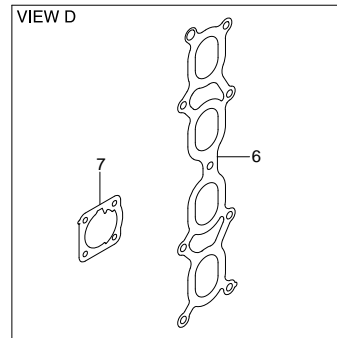
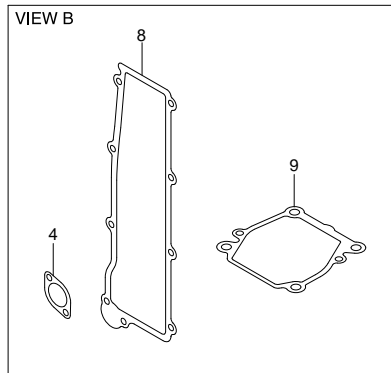
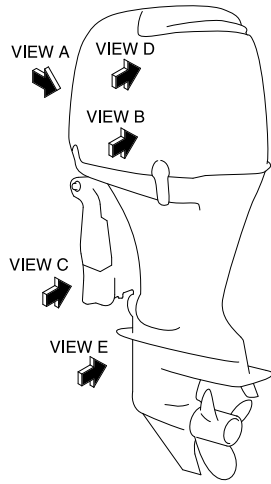
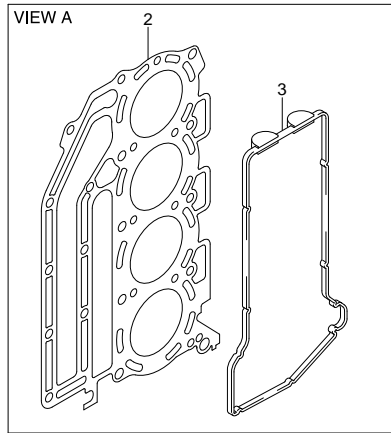


FIG.140 (2-D-3) OPT:GASKET SET (DF100T E40)

REF NO.	PART NO.	DESCRIPTION	Q'TY	REMARKS
1	11410-90820	GASKET SET	1	NOT ILLUSTRATED
2	11141-90J01	·GASKET, CYL HEAD	1	
3	11189-90J00	·GASKET, CYL HEAD COVER	1	
4	11265-87E10	·GASKET, PROTECTION COVER	2	
5	11489-90J00	·GASKET, OIL PAN	1	
6	13119-90J00	·GASKET, INTAKE MANIFOLD	1	
7	13421-90J00	·GASKET, THROTTLE BODY	1	
8	14151-90J00	·GASKET, RECTIFIER	1	
9	17472-87E10	·GASKET, PUMP CASE PANEL	1	
10	51211-90J21	·GASKET, ENGINE HOLDER	1	
11	99011-90J20-059	MANUAL, OWNER'S	1	NOT ILLUSTRATED

FIG.141

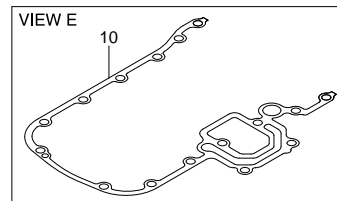
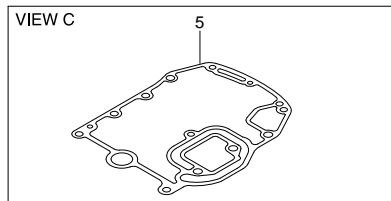
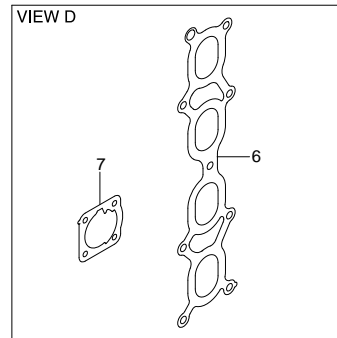
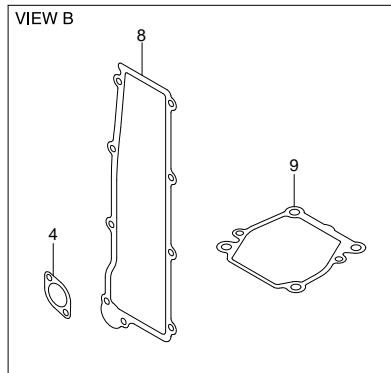
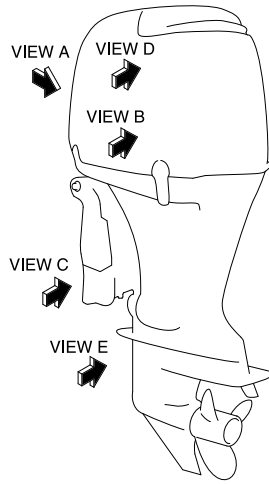
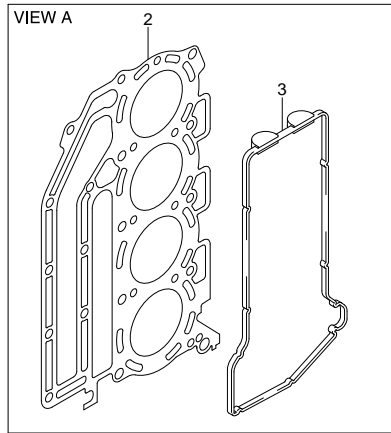


FIG.141 (2-D-4) OPT:GASKET SET (DF115T E1)

REF NO.	PART NO.	DESCRIPTION	Q'TY	REMARKS
1	11410-90820	GASKET SET	1	NOT ILLUSTRATED
2	11141-90J01	·GASKET, CYL HEAD	1	
3	11189-90J00	·GASKET, CYL HEAD COVER	1	
4	11265-87E10	·GASKET, PROTECTION COVER	2	
5	11489-90J00	·GASKET, OIL PAN	1	
6	13119-90J00	·GASKET, INTAKE MANIFOLD	1	
7	13421-90J00	·GASKET, THROTTLE BODY	1	
8	14151-90J00	·GASKET, RECTIFIER	1	
9	17472-87E10	·GASKET, PUMP CASE PANEL	1	
10	51211-90J21	·GASKET, ENGINE HOLDER	1	
11-1	99011-90J20-054	MANUAL, OWNER'S	1	NOT ILLUSTRATED
11-2	99011-90J20-059	MANUAL, OWNER'S	1	NOT ILLUSTRATED

FIG.142

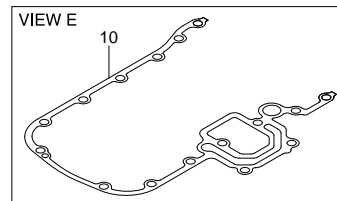
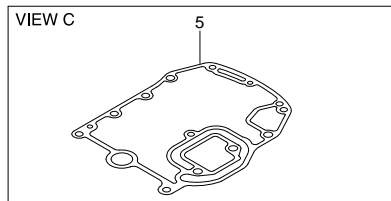
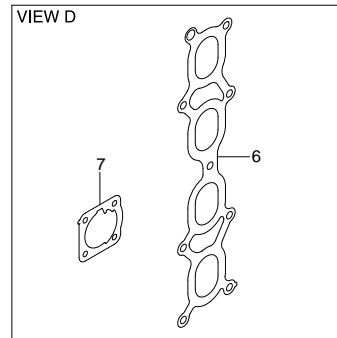
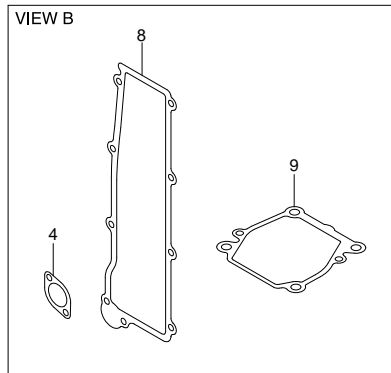
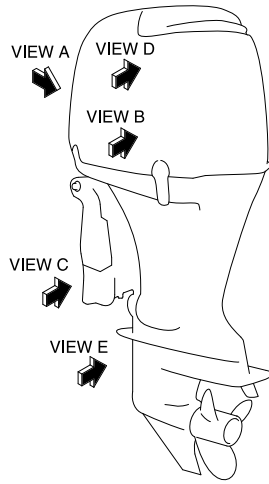
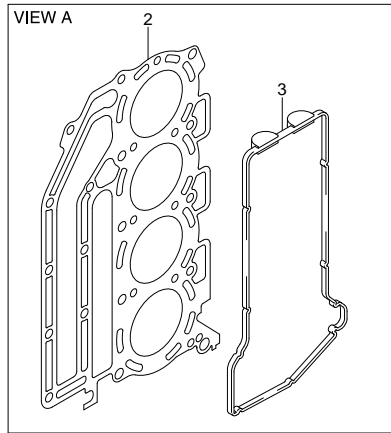


FIG.142 (2-D-5) OPT:GASKET SET (DF115T E40)

REF NO.	PART NO.	DESCRIPTION	Q' TY	REMARKS
1	11410-90820	GASKET SET	1	NOT ILLUSTRATED
2	11141-90J01	·GASKET, CYL HEAD	1	
3	11189-90J00	·GASKET, CYL HEAD COVER	1	
4	11265-87E10	·GASKET, PROTECTION COVER	2	
5	11489-90J00	·GASKET, OIL PAN	1	
6	13119-90J00	·GASKET, INTAKE MANIFOLD	1	
7	13421-90J00	·GASKET, THROTTLE BODY	1	
8	14151-90J00	·GASKET, RECTIFIER	1	
9	17472-87E10	·GASKET, PUMP CASE PANEL	1	
10	51211-90J21	·GASKET, ENGINE HOLDER	1	
11	99011-90J20-059	MANUAL, OWNER'S	1	NOT ILLUSTRATED

FIG.143

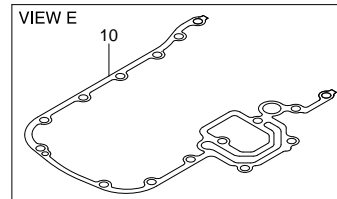
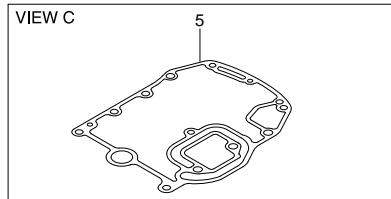
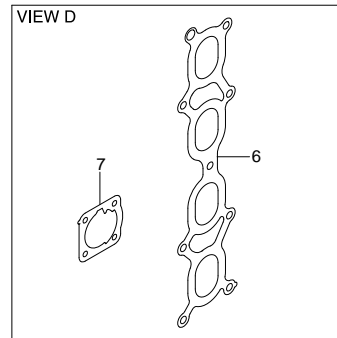
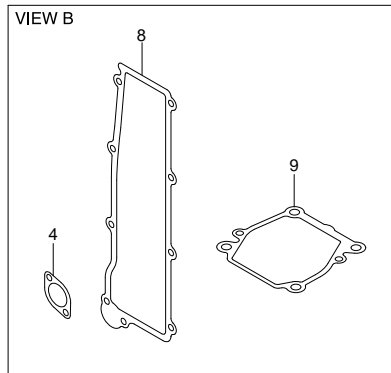
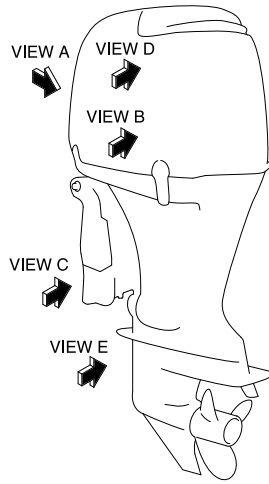
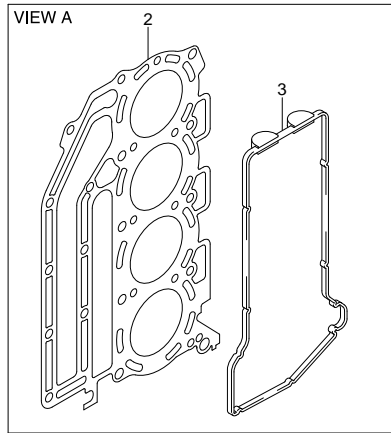


FIG.143 (2-D-6) OPT:GASKET SET (DF115Z E1)

REF NO.	PART NO.	DESCRIPTION	Q'TY	REMARKS
1	11410-90820	GASKET SET	1	NOT ILLUSTRATED
2	11141-90J01	·GASKET, CYL HEAD	1	
3	11189-90J00	·GASKET, CYL HEAD COVER	1	
4	11265-87E10	·GASKET, PROTECTION COVER	2	
5	11489-90J00	·GASKET, OIL PAN	1	
6	13119-90J00	·GASKET, INTAKE MANIFOLD	1	
7	13421-90J00	·GASKET, THROTTLE BODY	1	
8	14151-90J00	·GASKET, RECTIFIER	1	
9	17472-87E10	·GASKET, PUMP CASE PANEL	1	
10	51211-90J21	·GASKET, ENGINE HOLDER	1	
11-1	99011-90J20-054	MANUAL, OWNER'S	1	NOT ILLUSTRATED
11-2	99011-90J20-059	MANUAL, OWNER'S	1	NOT ILLUSTRATED

FIG.144

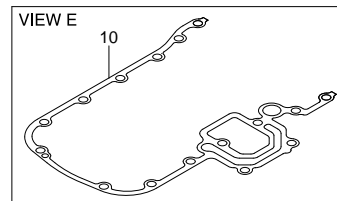
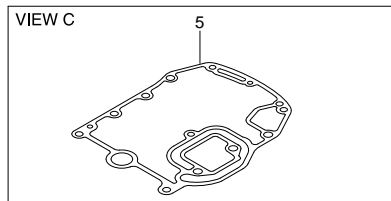
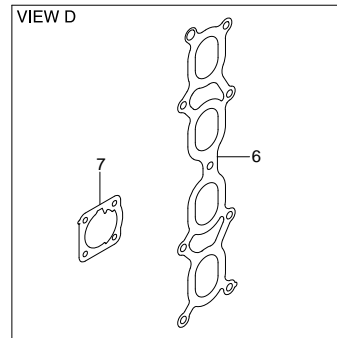
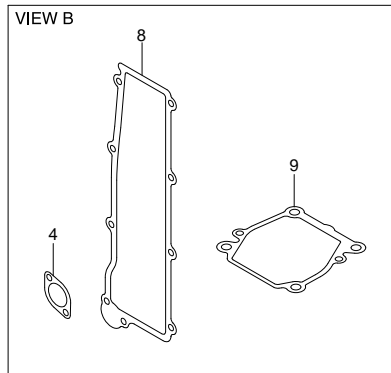
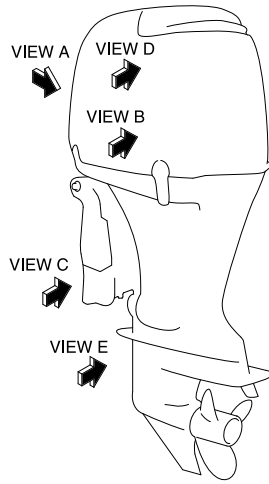
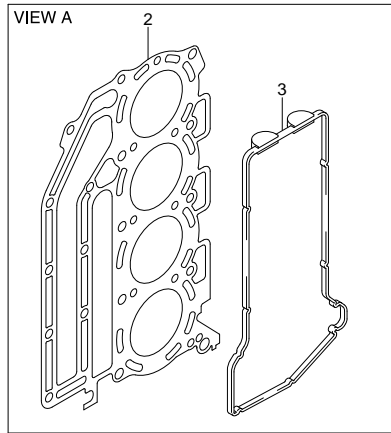


FIG.144 (2-D-7) OPT:GASKET SET (DF115Z E40)

REF NO.	PART NO.	DESCRIPTION	Q'TY	REMARKS
1	11410-90820	GASKET SET	1	NOT ILLUSTRATED
2	11141-90J01	·GASKET, CYL HEAD	1	
3	11189-90J00	·GASKET, CYL HEAD COVER	1	
4	11265-87E10	·GASKET, PROTECTION COVER	2	
5	11489-90J00	·GASKET, OIL PAN	1	
6	13119-90J00	·GASKET, INTAKE MANIFOLD	1	
7	13421-90J00	·GASKET, THROTTLE BODY	1	
8	14151-90J00	·GASKET, RECTIFIER	1	
9	17472-87E10	·GASKET, PUMP CASE PANEL	1	
10	51211-90J21	·GASKET, ENGINE HOLDER	1	
11	99011-90J20-059	MANUAL, OWNER'S	1	NOT ILLUSTRATED

PART NO.	FIG. NO. -REF. NO.	PART NO.	FIG. NO. -REF. NO.	PART NO.	FIG. NO. -REF. NO.
10000		11300-90J11	2 - 3	12300-85854-0EA	9 - 9
		11330-90J00	2 - 7	12340-85FB3-0A0	9 - 9
		11332-90J00	2 - 8	12340-85FB3-0B0	9 - 9
		11382-99E00	1 - 18	12340-85FB3-0C0	9 - 9
		11410-90820	139 - 1	12340-85FB3-0D0	9 - 9
11100-90J06	1 - 1		140 - 1	12340-85FB3-0E0	9 - 9
11112-90J00	2 - 12		141 - 1	12632-92J11	50 - 1
11115-85FA1-001	1 - 2		142 - 1	12711-90J11	13 - 1
11117-89J00	1 - 10		143 - 1		14 - 1
11117-90J10	2 - 4		144 - 1		15 - 1
11118-95J00	52 - 14	11489-90J00	51 - 1		16 - 1
11141-90J01	1 - 11		139 - 5	12711-90J20	11 - 1
	139 - 2		140 - 5		12 - 1
	140 - 2		141 - 5	12720-90J20	11 - 2
	141 - 2		142 - 5		12 - 2
	142 - 2		143 - 5		13 - 2
	143 - 2		144 - 5		14 - 2
	144 - 2	11501-90J04-0EP	51 - 2		15 - 2
11170-90J00	1 - 14	11510-90J00	3 - 1		16 - 2
11173-90J00	1 - 15		4 - 1	12732-90J00	10 - 1
11179-90J00	1 - 16		5 - 1	12733-90J00	10 - 4
11189-90J00	1 - 17		6 - 1	12741-90J01	10 - 2
	139 - 3		7 - 1	12761-90J00	10 - 10
	140 - 3		8 - 1	12771-90J00	10 - 11
	141 - 3	11512-99E00	3 - 2	12810-90J00	10 - 12
	142 - 3		4 - 2	12812-90J00	10 - 14
	143 - 3		5 - 2	12813-73G00	10 - 13
11196-90J00	144 - 3		6 - 2	12831-90J02	10 - 15
	43 - 1		7 - 2	12891-69G00	11 - 3
	44 - 1		8 - 2		12 - 3
	45 - 1	12100-90J01-050	9 - 12		13 - 3
	46 - 1	12100-92840-025	9 - 7		14 - 3
	47 - 1	12100-92841-0A0	9 - 7		15 - 3
	48 - 1	12111-90J01	9 - 1		16 - 3
11216-77E00	2 - 5	12140-86FA0	9 - 2	12892-69G10-218	11 - 4
11261-87E10	67 - 1	12140-86FA0-050	9 - 13		12 - 4
11261-93J00	1 - 5	12151-86FA0	9 - 3		13 - 4
11265-87E10	67 - 2	12160-92J00	9 - 5		14 - 4
	139 - 4	12220-92J00	9 - 8		15 - 4
	140 - 4	12300-85830	9 - 10		16 - 4
	141 - 4	12300-85830-012	9 - 10	12892-69G10-220	11 - 4
	142 - 4	12300-85854-0AA	9 - 9		12 - 4
	143 - 4	12300-85854-0BA	9 - 9		13 - 4
	144 - 4	12300-85854-0CA	9 - 9		14 - 4
11291-90J10	2 - 1	12300-85854-0DA	9 - 9		15 - 4

PART NO.	FIG. NO. -REF. NO.	PART NO.	FIG. NO. -REF. NO.	PART NO.	FIG. NO. -REF. NO.
12892-69G10-220	16 - 4		13 - 4		16 - 4
12892-69G10-223	11 - 4		14 - 4	12892-69G10-260	11 - 4
	12 - 4		15 - 4		12 - 4
	13 - 4		16 - 4		13 - 4
	14 - 4	12892-69G10-243	11 - 4		14 - 4
	15 - 4		12 - 4		15 - 4
12892-69G10-225	16 - 4		13 - 4	12892-69G10-263	16 - 4
	11 - 4		14 - 4		11 - 4
	12 - 4		15 - 4		12 - 4
	13 - 4		16 - 4		13 - 4
	14 - 4	12892-69G10-245	11 - 4		14 - 4
	15 - 4		12 - 4		15 - 4
12892-69G10-228	16 - 4		13 - 4	12892-69G10-265	16 - 4
	11 - 4		14 - 4		11 - 4
	12 - 4		15 - 4		12 - 4
	13 - 4		16 - 4		13 - 4
	14 - 4	12892-69G10-248	11 - 4		14 - 4
	15 - 4		12 - 4		15 - 4
12892-69G10-230	16 - 4		13 - 4	12892-69G10-268	16 - 4
	11 - 4		14 - 4		11 - 4
	12 - 4		15 - 4		12 - 4
	13 - 4		16 - 4		13 - 4
	14 - 4	12892-69G10-250	11 - 4		14 - 4
	15 - 4		12 - 4		15 - 4
	16 - 4		13 - 4		16 - 4
12892-69G10-233	11 - 4		14 - 4	12892-69G10-270	11 - 4
	12 - 4		15 - 4		12 - 4
	13 - 4		16 - 4		13 - 4
	14 - 4	12892-69G10-253	11 - 4		14 - 4
	15 - 4		12 - 4		15 - 4
	16 - 4		13 - 4		16 - 4
12892-69G10-235	11 - 4		14 - 4	12892-69G10-273	11 - 4
	12 - 4		15 - 4		12 - 4
	13 - 4	12892-69G10-255	11 - 4		13 - 4
	14 - 4		12 - 4		14 - 4
	15 - 4		13 - 4		15 - 4
12892-69G10-238	11 - 4		14 - 4	12892-69G10-275	11 - 4
	12 - 4		15 - 4		12 - 4
	13 - 4		16 - 4		13 - 4
	14 - 4	12892-69G10-258	11 - 4		14 - 4
	15 - 4		12 - 4		15 - 4
	16 - 4		13 - 4		16 - 4
12892-69G10-240	11 - 4		14 - 4	12892-69G10-278	11 - 4
	12 - 4		15 - 4		12 - 4

DF100/115 E01 012

PART NO.	FIG. NO. -REF. NO.	PART NO.	FIG. NO. -REF. NO.	PART NO.	FIG. NO. -REF. NO.
12892-69G10-278	13 - 4 14 - 4 15 - 4 16 - 4	12892-69G10-298	16 - 4 11 - 4 12 - 4 13 - 4 14 - 4	12915-86FA1	13 - 5 14 - 5 15 - 5 16 - 5 11 - 6
12892-69G10-280	11 - 4				
	12 - 4 13 - 4 14 - 4 15 - 4 16 - 4	12892-69G10-300	15 - 4 16 - 4 11 - 4 12 - 4 13 - 4	12915-86F50	13 - 6 15 - 6 12 - 6 14 - 6 16 - 6
12892-69G10-283	11 - 4 12 - 4 13 - 4 14 - 4 15 - 4		14 - 4 15 - 4 16 - 4	12921-90J00	11 - 7 12 - 7 13 - 7 14 - 7 15 - 7
12892-69G10-285	16 - 4 11 - 4 12 - 4 13 - 4 14 - 4	12892-90J00-303	11 - 4 12 - 4		
			13 - 4 14 - 4 15 - 4 16 - 4	12931-90J00	16 - 7 11 - 8 12 - 8 13 - 8 14 - 8
12892-69G10-288	15 - 4 16 - 4 11 - 4 12 - 4 13 - 4			12932-85FA0	15 - 8 16 - 8 11 - 9 12 - 9 13 - 9
	14 - 4 15 - 4 16 - 4	12892-90J00-308	11 - 4 12 - 4 13 - 4 14 - 4 15 - 4		14 - 9 15 - 9 16 - 9
12892-69G10-290	11 - 4 12 - 4			12933-86510	11 - 10 12 - 10
	13 - 4 14 - 4 15 - 4 16 - 4	12892-90J00-310	16 - 4 11 - 4 12 - 4 13 - 4 14 - 4		13 - 10 14 - 10 15 - 10 16 - 10
12892-69G10-293	11 - 4			13110-90J02	17 - 1
	12 - 4 13 - 4 14 - 4 15 - 4 16 - 4	12892-90J00-313	15 - 4 16 - 4 11 - 4 12 - 4 13 - 4	13119-90J00	17 - 2 139 - 6 140 - 6 141 - 6 142 - 6
12892-69G10-295	11 - 4 12 - 4 13 - 4 14 - 4 15 - 4	12911-86FA1	14 - 4 15 - 4 16 - 4 11 - 5 12 - 5	13140-90J00 13145-90J00 13300-90J00	143 - 6 144 - 6 17 - 3 17 - 4 49 - 1

PART NO.	FIG. NO. -REF. NO.	PART NO.	FIG. NO. -REF. NO.	PART NO.	FIG. NO. -REF. NO.
13370-99E00	19 - 2 21 - 2 23 - 2	13851-90J00 14151-90J00	18 - 5 67 - 5 139 - 8 140 - 8 141 - 8		32 - 8 33 - 6 34 - 8 35 - 6 36 - 8
13370-99E10	20 - 2 22 - 2				
13373-39110	24 - 2 19 - 3 21 - 3 23 - 3	15100-90J1V	142 - 8 143 - 8 144 - 8 31 - 1 32 - 1	15422-96J00	31 - 5 32 - 7 33 - 5 34 - 7 35 - 5
13373-99E10	20 - 3				
13421-90J00	22 - 3 24 - 3 49 - 2 139 - 7 140 - 7	15190-90J30	33 - 1 34 - 1 35 - 1 36 - 1 31 - 15	15440-90J00 15440-90J10	36 - 7 25 - 1 27 - 1 29 - 1 26 - 1
13510-90J00	141 - 7 142 - 7 143 - 7 144 - 7 49 - 4		32 - 2 33 - 15 34 - 2 35 - 15 36 - 2	15600-90J00	28 - 1 30 - 1 19 - 1 21 - 1 23 - 1
13614-89J00	20 - 14 22 - 14 24 - 14	15192-90J11	31 - 13 32 - 3 33 - 13 34 - 3 35 - 13	15600-90J10 15626-90J00	20 - 1 22 - 1 24 - 1 19 - 5 21 - 5
13650-52G00	69 - 1 70 - 1				
13655-87J00	71 - 1 72 - 1 73 - 1 74 - 1 69 - 2	15200-90J00 15200-90J10	36 - 3 19 - 4 21 - 4 23 - 4 20 - 4	15626-90J10 15628-99E00	23 - 5 20 - 5 22 - 5 24 - 5 19 - 6
	70 - 2 71 - 2 72 - 2 73 - 2 74 - 2	15410-87J30	22 - 4 24 - 4 31 - 2 32 - 4 33 - 2		20 - 6 21 - 6 22 - 6 23 - 6 24 - 6
13671-13F00	19 - 17 20 - 17 21 - 17 22 - 17 23 - 17	15419-87J00	34 - 4 35 - 2 36 - 4 31 - 3 32 - 5	15629-99E10	19 - 7 20 - 7 21 - 7 22 - 7 23 - 7
13710-99E00 13810-90J00 13813-90J00 13840-90J00	24 - 17 18 - 1 18 - 2 18 - 3 18 - 4	15420-90J30	33 - 3 34 - 5 35 - 3 36 - 5 31 - 6	15631-99E10 15641-90J00	24 - 7 20 - 15 22 - 15 24 - 15 19 - 8

DF100/115 E01 012

PART NO.	FIG. NO. -REF. NO.	PART NO.	FIG. NO. -REF. NO.	PART NO.	FIG. NO. -REF. NO.
15641-90J00	21 - 8		29 - 3		29 - 9
	23 - 8		30 - 3		30 - 10
15641-90J10	20 - 8	15716-65DT0	25 - 4	15830-90J00	26 - 11
	22 - 8		26 - 4		28 - 11
	24 - 8		27 - 4		30 - 11
15642-90J00	19 - 9		28 - 4	15830-99E00	25 - 10
	20 - 9		29 - 4		26 - 12
	21 - 9		30 - 4		27 - 10
	22 - 9	15735-58B00	25 - 5		28 - 12
	23 - 9		26 - 5		29 - 10
15647-93J00	24 - 9		27 - 5		30 - 12
	19 - 16		28 - 5	16113-92J11	50 - 2
	21 - 16		29 - 5	16400-90J00	50 - 3
	23 - 16		30 - 5	16440-99E00	50 - 4
15647-93J10	20 - 16	15751-90J10	25 - 6	16451-90J00	50 - 5
	22 - 16		26 - 6	16510-61A30	50 - 15
	24 - 16		27 - 6	16520-90J00	50 - 6
15650-99E00	19 - 10		28 - 6	16910-90J00	51 - 13
	20 - 10		29 - 6	16930-90J01	51 - 14
	21 - 10		30 - 6	17400-92J21	37 - 21
	22 - 10	15760-87J00	19 - 13		38 - 21
	23 - 10		20 - 13		39 - 21
	24 - 10		21 - 13		40 - 21
15654-99E00	19 - 11		22 - 13		41 - 21
	20 - 11		23 - 13		42 - 21
	21 - 11	15762-90J00	24 - 13	17410-92J00	37 - 1
	22 - 11		26 - 7		38 - 1
	23 - 11		28 - 7		39 - 1
	24 - 11		30 - 7		40 - 1
15680-90J01	20 - 27	15770-90J02	25 - 7		41 - 1
	22 - 27		26 - 8		42 - 1
	24 - 27		27 - 7	17413-92J01	37 - 18
	25 - 2		28 - 8		39 - 18
	27 - 2		29 - 7		41 - 18
	29 - 2		30 - 8	17413-92J11	38 - 18
15683-87J00	19 - 12	15773-90J00	25 - 8		40 - 18
	20 - 12		26 - 9		42 - 18
	21 - 12		27 - 8	17416-92J10	37 - 19
	22 - 12		28 - 9		38 - 19
	23 - 12		29 - 8		39 - 19
	24 - 12		30 - 9		40 - 19
15710-82K50	25 - 3	15775-90J00	25 - 9		41 - 19
	26 - 3		26 - 10		42 - 19
	27 - 3		27 - 9	17461-90J01	37 - 2
	28 - 3		28 - 10		38 - 2

PART NO.	FIG. NO. -REF. NO.	PART NO.	FIG. NO. -REF. NO.	PART NO.	FIG. NO. -REF. NO.
17461-90J01	39 - 2 40 - 2 41 - 2 42 - 2	17564-87D00	42 - 7 37 - 8 38 - 8 39 - 8 40 - 8		45 - 4 46 - 4 47 - 4 48 - 4
17471-92J00	37 - 3			17670-90J10	43 - 4
17471-92J10	39 - 3 41 - 3 38 - 3 40 - 3 42 - 3	17611-90J00-0EP	41 - 8 42 - 8 43 - 2 44 - 2 45 - 2		44 - 4 45 - 4 46 - 4 47 - 4 48 - 4
17472-87E10	37 - 4 38 - 4 39 - 4 40 - 4 41 - 4	17612-90J00	46 - 2 47 - 2 48 - 2 37 - 20 38 - 20	17681-90J01	43 - 5 44 - 5 45 - 5 46 - 5 47 - 5
	42 - 4 139 - 9 140 - 9 141 - 9 142 - 9	17631-90J00	39 - 20 40 - 20 41 - 20 42 - 20 37 - 9	17711-90J00	48 - 5 43 - 6 44 - 6 45 - 6 46 - 6
17561-90J02	143 - 9 144 - 9 37 - 5 38 - 5 39 - 5		38 - 9 39 - 9 40 - 9 41 - 9 42 - 9	17913-99E11 17917-87L00	47 - 6 48 - 6 51 - 3 116 - 8 117 - 8
17561-90J12	40 - 5 41 - 5 42 - 5 37 - 5 38 - 5	17632-90J00	37 - 10 38 - 10 39 - 10 40 - 10 41 - 10	18134-77E00	118 - 8 119 - 8 120 - 8 121 - 8 17 - 5
17562-90J00	39 - 5 40 - 5 41 - 5 42 - 5 37 - 6	17635-90J00	42 - 10 37 - 11 38 - 11 39 - 11 40 - 11	18137-77E00 18141-90J00 18498-90J00	17 - 6 17 - 7 19 - 18 20 - 18 21 - 18
	38 - 6 39 - 6 40 - 6 41 - 6 42 - 6	17660-90J00	41 - 11 42 - 11 43 - 3 44 - 3 45 - 3	18498-90J20 18498-99EA0	22 - 18 23 - 18 24 - 18 1 - 19 116 - 6
17563-87D00	37 - 7 38 - 7 39 - 7 40 - 7 41 - 7	17670-90J00	46 - 3 47 - 3 48 - 3 43 - 4 44 - 4		117 - 6 118 - 6 119 - 6 120 - 6 121 - 6

DF100/115 E01 012

PART NO.	FIG. NO. -REF. NO.	PART NO.	FIG. NO. -REF. NO.	PART NO.	FIG. NO. -REF. NO.
18498-99E10	31 - 8 31 - 9 31 - 10 31 - 11 32 - 10	21110-92J00 21111-87J10-0EP 21131-93J00 21131-96010 21151-92J00	52 - 1 138 - 14 52 - 15 138 - 15 52 - 2		54 - 4 55 - 4 56 - 4 57 - 4 58 - 4
	32 - 11 32 - 12 32 - 13 33 - 8 33 - 9	21210-92J00 21230-92J00 22511-99011	52 - 3 52 - 4 52 - 5 88 - 1 88 - 1	25321-92J10 25321-92J20	53 - 5 54 - 5 55 - 5 56 - 5 57 - 5
	33 - 10 33 - 11 34 - 10 34 - 11 34 - 12	23111-90J02 23111-90J12 23115-92J00 23230-90J00 25111-92J00	52 - 6 52 - 6 52 - 7 138 - 16 53 - 6	25700-90J01	58 - 5 98 - 33 99 - 31 100 - 33 101 - 31
	34 - 13 35 - 8 35 - 9 35 - 10 35 - 11		54 - 6 55 - 6 56 - 6 57 - 6 58 - 6	29116-93J00	102 - 31 103 - 25 53 - 7 54 - 7 55 - 7
18590-68H00	36 - 10 36 - 11 36 - 12 36 - 13 69 - 3	25111-92J10	53 - 6 54 - 6 55 - 6 56 - 6 57 - 6	29117-93J10 29125-93J10	56 - 7 57 - 7 58 - 7 96 - 15 88 - 8
	70 - 3 71 - 3 72 - 3 73 - 3 74 - 3	25131-92J00	58 - 6 53 - 1 54 - 1 55 - 1 56 - 1	29162-93J20 29404-93J10	138 - 68 67 - 13 69 - 14 70 - 14 71 - 14
19115-90J00 19121-90J00 19130-90J10 19131-95502 19140-90J10	49 - 6 49 - 7 49 - 8 49 - 9 138 - 64	25141-92J00	57 - 1 58 - 1 53 - 2 54 - 2 55 - 2		72 - 14 73 - 14 74 - 14 76 - 7 77 - 7
19148-90J00	49 - 10	25222-92J00	56 - 2 57 - 2 58 - 2 53 - 3 54 - 3		78 - 7 79 - 7 80 - 7 81 - 7 88 - 16
20000		25232-90J00	55 - 3 56 - 3 57 - 3 58 - 3 53 - 4		89 - 15 90 - 15 91 - 15 92 - 15 93 - 15

PART NO.	FIG. NO. -REF. NO.	PART NO.	FIG. NO. -REF. NO.	PART NO.	FIG. NO. -REF. NO.
29404-93J10	94 - 15	33410-90J00	68 - 1		70 - 4
		33420-90J00	68 - 4		71 - 4
		33634-96J00	75 - 5		72 - 4
		33710-90J00	68 - 2		73 - 4
		33720-90J00	68 - 5		74 - 4
		33730-90J00	68 - 6		114 - 20
		33740-90J00	68 - 3	34200-98J13	115 - 3
		33799-97E00	95 - 10	34300-93J00	114 - 10
		33810-90J10	75 - 1	34300-93J11	114 - 10
		33833-91J00	66 - 5	34300-98J00	115 - 5
30000		33920-90JE0	78 - 5	34300-98J10	115 - 5
31100-90J01	65 - 1		80 - 5	34310-92E00	114 - 11
31111-94900	95 - 9	33920-90JF0	79 - 5	34360-92E00	114 - 12
31123-94910	95 - 3		81 - 5	34500-93J00	70 - 17
31131-90J01	65 - 2	33920-90JG0	76 - 5		72 - 17
31133-90J00	95 - 4				
31133-94900	95 - 5	33920-90JH0	77 - 5		74 - 17
31135-90J00	65 - 3	33925-87J00	76 - 6		114 - 14
31135-94900	95 - 7		77 - 6	34500-93J11	70 - 17
31136-90J10	95 - 6		78 - 6		72 - 17
31151-90J00	65 - 4		79 - 6		74 - 17
31152-90J00	65 - 5		80 - 6		114 - 14
31153-90J00	65 - 6		81 - 6	34600-93J00	114 - 8
31171-90J00	65 - 7	34100-93J00	114 - 3	34600-93J11	114 - 8
31173-90J01	65 - 8	34100-93J11	114 - 3	34600-98J00	115 - 7
31173-94910	95 - 8	34100-93J20	114 - 3	34600-98J10	115 - 7
31191-90J00	65 - 9	34100-93J31	114 - 3	34650-93J20	114 - 16
31220-90J00	65 - 10	34100-93J40	114 - 3	34650-93J31	114 - 16
31281-92J00	95 - 20	34100-93J51	114 - 3	34660-90J02	116 - 1
31310-90J00	65 - 11	34100-93J60	114 - 3		117 - 1
31311-94900	95 - 2	34100-98J11	115 - 1		118 - 1
31320-90J00	65 - 12	34100-98J41	115 - 1		119 - 1
31341-90J00	65 - 13	34112-98J00	115 - 2		120 - 1
31343-90J00	65 - 14		115 - 4		121 - 1
31344-90J00	65 - 15	34190-87D00	113 - 1	34800-93J00	69 - 15
31360-90J00	65 - 16	34190-95500	113 - 2		70 - 15
31912-90J00	65 - 17	34191-92E00	114 - 5		71 - 15
31918-90J10	65 - 18		114 - 17		72 - 15
32102-92J10	66 - 1	34200-93J00	69 - 4		73 - 15
32118-90J00	66 - 12		70 - 4		74 - 15
32120-90J20	66 - 2		71 - 4		114 - 1
32160-87L00	66 - 3		72 - 4	34800-93J11	69 - 15
32800-90J30	67 - 6		73 - 4		70 - 15
32890-90J01	67 - 7		74 - 4		71 - 15
32891-90J00	67 - 8		114 - 20		72 - 15
33220-76G02	66 - 4	34200-93J11	69 - 4		73 - 15

DF100/115 E01 012

PART NO.	FIG. NO. -REF. NO.	PART NO.	FIG. NO. -REF. NO.	PART NO.	FIG. NO. -REF. NO.
34800-93J11	74 - 15 114 - 1	36625-93J00	75 - 13		125 - 2
34800-98J10	115 - 9	36625-93J10	75 - 13		125 - 16
34801-99E04	69 - 11 70 - 11	36628-92E00	130 - 3		126 - 2
			131 - 3		126 - 16
			132 - 3		127 - 2
	71 - 11 72 - 11 73 - 11 74 - 11	36646-93J00	133 - 3 130 - 2 131 - 2 132 - 2 133 - 2		127 - 16 128 - 2 128 - 16 128 - 26 129 - 2
34815-98J00	115 - 6				
	115 - 8 115 - 10	36661-93J00	123 - 16		129 - 16
34830-87J20	69 - 7 70 - 7 71 - 7	36661-98J00	123 - 3		129 - 26
		36662-98J00	123 - 10		130 - 4
		36662-98J10	123 - 10		131 - 4
		36663-98J00	123 - 11		132 - 4
	72 - 7 73 - 7 74 - 7	36663-98J10	123 - 11	37139-99E00	133 - 4
34921-98J00	123 - 1	36664-98J00	123 - 6		124 - 6
34921-98J10	123 - 9	36664-98J10	123 - 13		125 - 6
		36665-98J00	123 - 7		126 - 6
		36666-98J00	123 - 14		127 - 6
34922-98J02	123 - 2	36666-98J10	123 - 8		128 - 6
36610-90J81	75 - 3	36667-98J00	123 - 15		129 - 6
36615-96300	69 - 5 70 - 5 71 - 5	36865-90J00	75 - 8	37139-99E10	128 - 31
		36890-93J10	136 - 15		129 - 31
		36894-87D00	88 - 3	37139-99E20	124 - 21
	72 - 5 73 - 5 74 - 5 114 - 7 114 - 21	36894-95201	88 - 2		125 - 21
		36895-87D10	97 - 7		126 - 21
		36990-87D00	122 - 1		127 - 21
		37100-96J00	124 - 1 125 - 1		128 - 21 129 - 21
	123 - 4 138 - 18		126 - 1 127 - 1	37141-99EA0	124 - 3 124 - 17
36616-90J10	75 - 6		128 - 1		125 - 3
36617-90J00	75 - 12		129 - 1		125 - 17
36620-90J20	138 - 17	37100-96J13	128 - 25		126 - 3
36620-93J02	122 - 5 130 - 54 131 - 54 132 - 54 133 - 54		129 - 25 124 - 15 125 - 15 126 - 15 127 - 15		126 - 17 127 - 3 127 - 17 128 - 3 128 - 17
36620-93J10	122 - 2		128 - 15 129 - 15		128 - 27 129 - 3
36620-93J30	122 - 3		138 - 19		129 - 17
36620-93J40	122 - 2	37110-87J20	124 - 2		129 - 27
36620-93J52	122 - 5	37110-93J00	124 - 16		130 - 5
36620-93J62	122 - 5				

PART NO.	FIG. NO. -REF. NO.	PART NO.	FIG. NO. -REF. NO.	PART NO.	FIG. NO. -REF. NO.
37141-99EA0	131 - 5 132 - 5 133 - 5 138 - 20		125 - 17 126 - 3 126 - 17 127 - 3		128 - 27 129 - 3 129 - 17 129 - 27
37141-99EB0	124 - 3		127 - 17		130 - 5
	124 - 17 125 - 3 125 - 17 126 - 3 126 - 17		128 - 3 128 - 17 128 - 27 129 - 3 129 - 17	37141-99E40	131 - 5 132 - 5 133 - 5 138 - 20 124 - 3
	127 - 3 127 - 17 128 - 3 128 - 17 128 - 27		129 - 27 130 - 5 131 - 5 132 - 5 133 - 5		124 - 17 125 - 3 125 - 17 126 - 3 126 - 17
	129 - 3 129 - 17 129 - 27 130 - 5 131 - 5	37141-99E20	138 - 20 124 - 3 124 - 17 125 - 3 125 - 17		127 - 3 127 - 17 128 - 3 128 - 17 128 - 27
37141-99E00	132 - 5 133 - 5 138 - 20 124 - 3 124 - 17		126 - 3 126 - 17 127 - 3 127 - 17 128 - 3		129 - 3 129 - 17 129 - 27 130 - 5 131 - 5
	125 - 3 125 - 17 126 - 3 126 - 17 127 - 3		128 - 17 128 - 27 129 - 3 129 - 17 129 - 27	37141-99E50	132 - 5 133 - 5 138 - 20 124 - 3 124 - 17
	127 - 17 128 - 3 128 - 17 128 - 27 129 - 3		130 - 5 131 - 5 132 - 5 133 - 5 138 - 20		125 - 3 125 - 17 126 - 3 126 - 17 127 - 3
	129 - 17 129 - 27 130 - 5 131 - 5 132 - 5	37141-99E30	124 - 3 124 - 17 125 - 3 125 - 17 126 - 3		127 - 17 128 - 3 128 - 17 128 - 27 129 - 3
37141-99E10	133 - 5 138 - 20 124 - 3 124 - 17 125 - 3		126 - 17 127 - 3 127 - 17 128 - 3 128 - 17		129 - 17 129 - 27 130 - 5 131 - 5 132 - 5

DF100/115 E01 012

PART NO.	FIG. NO. -REF. NO.	PART NO.	FIG. NO. -REF. NO.	PART NO.	FIG. NO. -REF. NO.
37141-99E50	133 - 5 138 - 20		126 - 17 127 - 3		129 - 18 129 - 28
37141-99E60	124 - 3 124 - 17 125 - 3		127 - 17 128 - 3 128 - 17		130 - 6 131 - 6 132 - 6
	125 - 17 126 - 3 126 - 17 127 - 3 127 - 17		128 - 27 129 - 3 129 - 17 129 - 27 130 - 5	37149-93J00	133 - 6 138 - 21 124 - 5 124 - 19 125 - 5
	128 - 3 128 - 17 128 - 27 129 - 3 129 - 17	37141-99E90	131 - 5 132 - 5 133 - 5 138 - 20 124 - 3		125 - 19 126 - 5 126 - 19 127 - 5 127 - 19
	129 - 27 130 - 5 131 - 5 132 - 5 133 - 5		124 - 17 125 - 3 125 - 17 126 - 3 126 - 17		128 - 5 128 - 19 128 - 29 129 - 5 129 - 19
37141-99E70	138 - 20 124 - 3 124 - 17 125 - 3 125 - 17		127 - 3 127 - 17 128 - 3 128 - 17 128 - 27		129 - 29 130 - 7 131 - 7 132 - 7 133 - 7
	126 - 3 126 - 17 127 - 3 127 - 17 128 - 3		129 - 3 129 - 17 129 - 27 130 - 5 131 - 5	37210-93J00	138 - 22 124 - 13 125 - 13 126 - 13 127 - 13
	128 - 17 128 - 27 129 - 3 129 - 17 129 - 27	37143-99E00	132 - 5 133 - 5 138 - 20 124 - 4 124 - 18	37212-93J00	128 - 13 129 - 13 124 - 14 125 - 14 126 - 14
	130 - 5 131 - 5 132 - 5 133 - 5 138 - 20		125 - 4 125 - 18 126 - 4 126 - 18 127 - 4	37220-92E00 37721-92E10	127 - 14 128 - 14 129 - 14 136 - 16 137 - 11
37141-99E80	124 - 3 124 - 17 125 - 3 125 - 17 126 - 3		127 - 18 128 - 4 128 - 18 128 - 28 129 - 4	37721-93J00	76 - 12 77 - 12 78 - 12 79 - 12 80 - 12

PART NO.	FIG. NO. -REF. NO.	PART NO.	FIG. NO. -REF. NO.	PART NO.	FIG. NO. -REF. NO.
37721-93J00	81 - 12		72 - 8	38415-93J00	76 - 3
37721-93J90	130 - 8		73 - 8		77 - 3
	131 - 8		74 - 8		78 - 3
	132 - 8	37823-92E01	130 - 10		79 - 3
	133 - 8		131 - 10		80 - 3
37722-93J11	76 - 10		132 - 10		81 - 3
	77 - 10		133 - 10	38500-92X50	138 - 28
	78 - 10		138 - 24	38500-93J00	122 - 4
	79 - 10	37825-99E00	124 - 10	38500-93J90	124 - 7
	80 - 10		125 - 10		124 - 23
37726-90J10	81 - 10		126 - 10		125 - 7
	76 - 13		127 - 10		125 - 23
	77 - 13		128 - 10		126 - 7
	78 - 13		129 - 10		126 - 23
	79 - 13	37826-92E00	138 - 25		127 - 7
37803-93J03	80 - 13	37850-87J00	138 - 26		127 - 23
	81 - 13	37850-90J05	130 - 11		128 - 7
	124 - 9		131 - 11		128 - 23
	125 - 9		132 - 11		128 - 33
	126 - 9		133 - 11		129 - 7
37805-93J00	127 - 9	37850-93J10	136 - 4		129 - 23
	128 - 9	37850-99E04	76 - 1		129 - 33
	129 - 9		77 - 1		130 - 12
	124 - 11		78 - 1		131 - 12
	125 - 11		79 - 1		132 - 12
37820-87J02	126 - 11		80 - 1	38860-76F01	133 - 12
	127 - 11		81 - 1		65 - 19
	128 - 11	37852-87J00	138 - 27		76 - 8
	129 - 11	37855-99E00	124 - 12		77 - 8
	138 - 23		125 - 12		78 - 8
37820-93J03	124 - 20		126 - 12		79 - 8
	125 - 20		127 - 12		80 - 8
	126 - 20		128 - 12		81 - 8
	127 - 20		129 - 12	38915-90J00	65 - 20
	128 - 20	37859-90J00	130 - 53		76 - 9
	129 - 20		131 - 53		77 - 9
	130 - 9		132 - 53		78 - 9
	131 - 9		133 - 53		79 - 9
	132 - 9	38100-92J10	95 - 1		80 - 9
	133 - 9	38410-93J12	76 - 2		81 - 9
37820-93J93	128 - 30		77 - 2		
	129 - 30		78 - 2		
37820-99E01	69 - 8		79 - 2		
	70 - 8		80 - 2		
	71 - 8		81 - 2		
				4 0 0 0 0	

DF100/115 E01 012

PART NO.	FIG. NO. -REF. NO.	PART NO.	FIG. NO. -REF. NO.	PART NO.	FIG. NO. -REF. NO.
41111-90J13-0EP	82 - 1 83 - 1 84 - 1 85 - 1 86 - 1	43761-90J02-0EP	138 - 2	48400-90J00	89 - 1
		43768-90J01	138 - 67		90 - 1
		43769-90J00	138 - 3		91 - 1
		43770-90J00	138 - 5		92 - 1
		43778-90J00	138 - 6		93 - 1
41121-90J13-0EP	87 - 1 82 - 2 83 - 2 84 - 2 85 - 2	43779-90J00	138 - 7	48502-90J11	94 - 1
		43781-90J00	138 - 9	48557-90J00	95 - 14
		45421-90J00	82 - 15		89 - 5
			84 - 15		90 - 5
		48121-90J00	89 - 7		91 - 5
41130-92J01	86 - 2 87 - 2 82 - 3 83 - 3 84 - 3		90 - 7		92 - 5
			91 - 7		93 - 5
			92 - 7	48571-90J20	94 - 5
			93 - 7		89 - 3
			94 - 7		90 - 3
41135-92J00	85 - 3 86 - 3 87 - 3 82 - 12 83 - 12	48140-93J00	82 - 17		91 - 3
			83 - 15		92 - 3
			84 - 17		93 - 3
			85 - 15	48572-87J10	94 - 3
			86 - 15		89 - 4
41153-94500	84 - 12 85 - 12 86 - 12 87 - 12 82 - 4	48144-93J00	87 - 15		90 - 4
			82 - 18		91 - 4
			83 - 16		92 - 4
			84 - 18		93 - 4
			85 - 16		94 - 4
	83 - 4 84 - 4 85 - 4 86 - 4 87 - 4	48145-93J00	86 - 16	48582-95E01	95 - 12
			87 - 16	48583-95E00	95 - 11
			82 - 21	48585-95E00	95 - 13
			83 - 18	48588-90J00	95 - 16
			84 - 21	48611-90J00	89 - 2
41161-94400	112 - 1		85 - 18		90 - 2
41220-95E13	88 - 17		86 - 19		91 - 2
41221-95E40	88 - 18		87 - 18		92 - 2
41224-95E01	88 - 19	48321-90J00	89 - 8		93 - 2
41225-94400	88 - 20		90 - 8		94 - 2
41228-90J00	88 - 21		91 - 8	48862-87J10	89 - 6
41230-95E00	88 - 22		92 - 8		90 - 6
41233-95E10	88 - 23		93 - 8		91 - 6
43111-90J21-0EP	88 - 4		94 - 8		92 - 6
43111-90J30-0EP	88 - 4	48326-95E00	89 - 9		93 - 6
43112-99E00	51 - 4		90 - 9		94 - 6
43211-93J00	88 - 5		91 - 9	48862-90J20	95 - 19
43711-97E00	88 - 6		92 - 9	48862-92J00	95 - 17
43750-90J22-0EP	88 - 7		93 - 9	48862-92J10	95 - 18
43750-90J32-0EP	88 - 7		94 - 9	48864-93J00	95 - 15

PART NO.	FIG. NO. -REF. NO.	PART NO.	FIG. NO. -REF. NO.	PART NO.	FIG. NO. -REF. NO.
50000		55127-87D00	103 - 4 98 - 5 99 - 5 100 - 5 101 - 5	56120-90J02-0EP	103 - 8 59 - 21 60 - 21 61 - 21 62 - 21
	51110-90842-0EP	96 - 1		56120-92J12-0EP	63 - 1
	51115-90J00	96 - 8	55320-94900	102 - 5 103 - 5 82 - 5 83 - 5 84 - 5	64 - 1 59 - 22 60 - 22 61 - 22
	51122-90J00	96 - 19			
	51123-90J01	96 - 20			
51211-90J21	96 - 9				
	139 - 10 140 - 10 141 - 10 142 - 10 143 - 10	55321-87J00	85 - 5 86 - 5 87 - 5 1 - 7 67 - 3	56123-92J00	62 - 22 63 - 2 64 - 2
	144 - 10			56130-90J00	59 - 29 60 - 29
52111-90J02-0EP	97 - 1		89 - 13 90 - 13 91 - 13 92 - 13 93 - 13		61 - 29 62 - 29 63 - 8 64 - 8
52111-90J12-0EP	97 - 1			56140-92J30	63 - 11
54112-90J21	96 - 23				
54114-90J01	96 - 26				
54121-87D00	97 - 13 97 - 8	55321-87J10	94 - 13 67 - 18 89 - 16 91 - 16 93 - 16	56145-90J20	64 - 11 98 - 9 99 - 9 100 - 9 101 - 9
54123-90J00	96 - 22				
54125-90J10	96 - 27				
54130-90J40	96 - 24				
54148-90J11-0EP	96 - 28	55321-90J01	98 - 6 99 - 6 100 - 6 101 - 6 102 - 6	57110-92J41	59 - 1 60 - 1 61 - 1 62 - 1 63 - 16
54151-90J00	97 - 14				
54160-90J00	97 - 9				
54166-90J11	97 - 10				
54211-90J01-0EP	97 - 15				
54221-90J02-0EP	97 - 16	55321-94910	103 - 6 82 - 20 84 - 20 86 - 18 98 - 7	57110-92J51	64 - 16 59 - 1 60 - 1 61 - 1 62 - 1
55100-90803-0EP	98 - 1 99 - 1 100 - 1 101 - 1	55332-87D11			
55110-92J00-0EP	102 - 1 103 - 1		99 - 7 100 - 7 101 - 7 102 - 7 103 - 7		63 - 16 64 - 16
55116-87E00	98 - 31 100 - 31 102 - 29			57130-94501 57133-90J01	97 - 5 59 - 2 60 - 2
55125-90J01	98 - 4 99 - 4 100 - 4 101 - 4 102 - 4	55333-87D10	98 - 8 99 - 8 100 - 8 101 - 8 102 - 8		61 - 2 62 - 2 63 - 17 64 - 17
55125-92J00				57300-90820	59 - 4

DF100/115 E01 012

PART NO.	FIG. NO. -REF. NO.	PART NO.	FIG. NO. -REF. NO.	PART NO.	FIG. NO. -REF. NO.
57300-90820	60 - 4 61 - 4 62 - 4		101 - 27 102 - 24 103 - 20		100 - 23 102 - 20
57300-92850	63 - 22 64 - 22	57635-90J01	98 - 26 99 - 26	58200-92J00 58200-92J10 58200-92J20	102 - 22 102 - 22 102 - 22
57500-87873	59 - 6 60 - 6 61 - 6 62 - 6 63 - 24	57635-92J01	100 - 26 101 - 26 102 - 25 103 - 21	58200-92J30	102 - 22
57610-90J20	64 - 24 59 - 12 60 - 12 61 - 12 62 - 12	58100-90J01-019	98 - 23		
57610-92J31	63 - 33 64 - 33		99 - 23 100 - 23 101 - 23		
57616-90J00	59 - 20 60 - 20 61 - 20	58100-90J11-019	98 - 23 99 - 23	61112-90J00 61124-90J30 61134-90J10 61150-99E00 61155-99E01	104 - 1 104 - 26 104 - 2 51 - 5 51 - 7
57616-92J00	62 - 20 63 - 41 64 - 41	58100-90J21-019	100 - 23 101 - 23 98 - 23 99 - 23 100 - 23	61400-90843-0EP	105 - 1 106 - 1 107 - 1 108 - 1 109 - 1
57621-92J10	59 - 13 60 - 13	58100-90J31-019	101 - 23 98 - 23 99 - 23		
57630-90J00	61 - 13 62 - 13 63 - 34 64 - 34 98 - 32	58100-90J41-019	98 - 23 99 - 23 100 - 23 101 - 23	61422-90J22 61422-90J32	110 - 1 105 - 23 106 - 23 107 - 23 108 - 23
57631-92J00	100 - 32 102 - 30 59 - 15 60 - 15 61 - 15	58120-90J00	98 - 24		
57632-90J00	62 - 15 63 - 35 64 - 35 98 - 25 99 - 25	58200-90J00	99 - 24 100 - 24 101 - 24 102 - 21 102 - 23	61431-90J01-0EP	109 - 23 110 - 23 105 - 6 106 - 6 107 - 6
57633-90J02	100 - 25 101 - 25 98 - 27 99 - 27 100 - 27	58200-90J10	98 - 23 100 - 23 102 - 20 98 - 23 100 - 23	61432-90J00	108 - 6 109 - 6 110 - 6 105 - 7 106 - 7
		58200-90J20	102 - 20 98 - 23 100 - 23 102 - 20	61435-90J72	107 - 7 108 - 7 109 - 7 110 - 7 105 - 24
		58200-90J30	98 - 23		

PART NO.	FIG. NO. -REF. NO.	PART NO.	FIG. NO. -REF. NO.	PART NO.	FIG. NO. -REF. NO.
61435-90J72	106 - 24		7 - 6	61817-89J00	104 - 4
61435-90J82	107 - 24		8 - 6	61820-90J01-0EP	104 - 5
	108 - 24	61494-90J00	3 - 7	61827-90J00	104 - 6
	109 - 24		4 - 7	61831-90J11-0EP	104 - 7
	110 - 24		5 - 7	63002-90J26-0EP	138 - 1
61439-90J00	105 - 8		6 - 7	63111-87J10-0EP	138 - 29
	106 - 8		7 - 7	63121-87J03	138 - 30
	107 - 8		8 - 7	63210-93E30	138 - 31
	108 - 8	61610-93J00	105 - 9	63215-93110	138 - 32
	109 - 8		106 - 9	63221-87J00	138 - 33
61443-90J42	110 - 8		107 - 9	63223-92D00	138 - 34
	105 - 19		108 - 9	63225-93200	138 - 35
	106 - 19		109 - 9	63227-93200	138 - 36
	107 - 19		110 - 9	63235-87J00	138 - 37
	108 - 19	61621-87D02	105 - 2	63240-87J00	138 - 38
61446-87L11	109 - 19		106 - 2	63250-87J01	138 - 39
	110 - 19		107 - 2	63260-87J02	138 - 40
	105 - 21		108 - 2	63261-87J00	138 - 41
	106 - 21		109 - 2	63262-87J00	138 - 42
	107 - 21		110 - 2	63271-87J00	138 - 43
61453-90J42	108 - 21	61633-90J02-0EP	104 - 15	63272-87J00	138 - 44
	109 - 21		104 - 16	63273-87J00	138 - 45
	110 - 21	61637-90J02	104 - 17	63274-87J00	138 - 46
	105 - 20	61638-90J02	104 - 18	63610-90J00	138 - 47
	106 - 20	61641-87D00	104 - 19	63611-87J00	138 - 69
61458-99E31	107 - 20	61644-90J00	105 - 3	63612-87J00	138 - 70
	108 - 20		106 - 3	63625-99E00	138 - 48
	109 - 20		107 - 3	63626-99E01	138 - 49
	110 - 20		108 - 3	65000-95D01	111 - 1
	106 - 25		109 - 3	65520-95D00	111 - 2
61458-99E40	108 - 25	61645-90J01-0EP	110 - 3	65561-95D00	111 - 3
	110 - 25		104 - 20	65700-90J12	111 - 11
	105 - 25	61680-90J00	105 - 10	65740-95D01	111 - 7
	107 - 25		106 - 10	65750-95500	111 - 12
	109 - 25		107 - 10	65770-95505	111 - 13
61472-93E32	4 - 4		108 - 10	65831-95D00	111 - 4
	6 - 4		109 - 10	65890-95D00	111 - 5
	8 - 4		110 - 10	65892-95D00	111 - 6
61472-93E40	3 - 4	61690-90J00	105 - 11	67140-95600	130 - 56
	5 - 4		106 - 11		131 - 56
61493-90J00	7 - 4		107 - 11		132 - 56
	3 - 6		108 - 11		133 - 56
	4 - 6		109 - 11		134 - 1
	5 - 6		110 - 11		135 - 1
	6 - 6	61810-90J01-0EP	104 - 3	67200-93J03	130 - 1

DF100/115 E01 012

PART NO.	FIG. NO. -REF. NO.	PART NO.	FIG. NO. -REF. NO.	PART NO.	FIG. NO. -REF. NO.
67200-93J03	131 - 1 132 - 1 133 - 1	67236-92E00 67237-92E01 67238-87D00	137 - 33 137 - 34 130 - 21	67255-99E00	133 - 28 137 - 42 130 - 29 131 - 29 132 - 29
67200-93J23	136 - 1 137 - 1		131 - 21 132 - 21		
67211-93J10	136 - 26	67238-92E00	133 - 21	67256-95600	133 - 29
67212-95600	130 - 13 131 - 13 132 - 13 133 - 13	67239-92E00 67239-92E10 67240-92E00	137 - 35 137 - 36 137 - 47 137 - 17		130 - 30 131 - 30 132 - 30 133 - 30
67213-92E00	130 - 14 131 - 14 132 - 14 133 - 14	67241-92E10 67241-99E10	137 - 45 130 - 22 131 - 22 132 - 22	67257-92E00 67257-99E00	136 - 10 130 - 31 131 - 31 132 - 31 133 - 31
67220-95630	130 - 17		133 - 22		
67221-92E00	131 - 17 132 - 17 133 - 17	67243-92E00 67243-95600	137 - 46 130 - 23 131 - 23 132 - 23	67258-99E00	130 - 32 131 - 32 132 - 32 133 - 32
67222-92E00	137 - 8 137 - 2		133 - 23	67259-87D00	130 - 33
67223-92E00	137 - 3	67244-95600	130 - 24 131 - 24 132 - 24 133 - 24		131 - 33 132 - 33 133 - 33
67223-99E10	130 - 18 131 - 18 132 - 18 133 - 18	67245-92E00	137 - 23	67261-93J00 67261-99E00	136 - 2 130 - 34
67224-92E00	137 - 9	67245-95600	130 - 25 131 - 25 132 - 25 133 - 25		131 - 34 132 - 34 133 - 34
67226-92E00	137 - 15		137 - 37	67263-93J00 67264-95600	136 - 3 130 - 36
67226-92E10	137 - 16	67246-92E00			
67227-92E00	137 - 24				
67228-92E00	137 - 18				
67229-95600	130 - 19 131 - 19 132 - 19 133 - 19	67251-93J00 67251-99E10	136 - 11 130 - 26 131 - 26 132 - 26 133 - 26	67267-95610	131 - 36 132 - 36 133 - 36 130 - 37 131 - 37
67230-92E00	137 - 20				
67231-92E00	137 - 43	67252-92E10 67252-95600	137 - 40 130 - 27 131 - 27 132 - 27 133 - 27		132 - 37 133 - 37
67232-95600	130 - 20 131 - 20 132 - 20 133 - 20			67269-92E00 67271-92E00 67272-92E10	137 - 30 136 - 25 137 - 48
67232-95620	137 - 44 137 - 29	67253-92E00 67253-92E10 67253-95600	136 - 14 137 - 39 130 - 28 131 - 28 132 - 28	67273-92E10 67273-95600	136 - 23 130 - 38 131 - 38 132 - 38 133 - 38
67233-92E00	137 - 27				
67234-92E00	137 - 22				
67235-92E00	137 - 28				

PART NO.	FIG. NO. -REF. NO.	PART NO.	FIG. NO. -REF. NO.	PART NO.	FIG. NO. -REF. NO.
67273-95600	136 - 22		131 - 43	67473-89J00	49 - 11
67274-92E00	137 - 41		132 - 43	67500-93J10	136 - 28
67275-95600	130 - 39		133 - 43	67600-90J00	112 - 10
	131 - 39	67296-92E10	130 - 16	67631-90J00	112 - 11
	132 - 39		131 - 16	67701-90J00	112 - 2
	133 - 39		132 - 16	67721-99E00	112 - 3
	136 - 21		133 - 16	67725-90J00	138 - 8
67282-93J00	136 - 17		137 - 12	67725-90J10	138 - 11
67286-92E00	137 - 19	67296-92E20	137 - 14	67725-90J20	138 - 12
67287-92E00	136 - 20	67296-92E30	136 - 18	67725-99E00	112 - 4
67287-92E10	137 - 49	67296-92E60	136 - 12	67725-99E10	112 - 12
67288-92E00	130 - 40	67296-92E70	136 - 8	67726-90J00	138 - 13
	131 - 40		136 - 27	67726-99E00	112 - 5
	132 - 40	67296-92E80	137 - 50		112 - 13
	133 - 40	67296-94300	130 - 44	67728-99E00	112 - 6
	137 - 4		131 - 44	67734-90J00	138 - 10
67288-92E10	137 - 6		132 - 44	68110-87D01	105 - 27
67288-92E20	136 - 7		133 - 44		106 - 27
67288-92E30	136 - 13	67296-94310	130 - 35		107 - 27
67288-92E40	136 - 9		131 - 35		108 - 27
67291-92E00	137 - 7		132 - 35		109 - 27
67291-92E10	137 - 38		133 - 35		110 - 27
67292-87J00	138 - 50	67296-95600	130 - 45	68111-18G20	105 - 22
67292-94300	130 - 41		131 - 45		106 - 22
	131 - 41		132 - 45		107 - 22
	132 - 41		133 - 45		108 - 22
	133 - 41	67296-95610	130 - 46		109 - 22
	137 - 5		131 - 46		110 - 22
67294-92E00	137 - 10		132 - 46	68165-16B00-13L	130 - 48
67294-95600	130 - 42		133 - 46		131 - 48
	130 - 57		137 - 26		132 - 48
	131 - 42	67296-95620	130 - 58		133 - 48
	131 - 57		131 - 58	69711-93E10	3 - 5
	132 - 42		132 - 58		4 - 5
	132 - 57		133 - 58		5 - 5
	133 - 42		134 - 3		6 - 5
	133 - 57		135 - 3		7 - 5
	134 - 2	67297-95600	130 - 47		8 - 5
	135 - 2		131 - 47		
67295-92E00	136 - 24		132 - 47		
67295-92E10	136 - 5		133 - 47		
67296-88D10	136 - 6	67341-90J32	104 - 29		
	137 - 13	67343-90J20	104 - 30		
	137 - 31	67344-90J00	104 - 31		
67296-90J00	130 - 43	67467-89J01	112 - 7		
				9 0 0 0 0	

DF100/115 E01 012

PART NO.	FIG. NO. -REF. NO.	PART NO.	FIG. NO. -REF. NO.	PART NO.	FIG. NO. -REF. NO.
99011-90J20-054	139 - 11 141 - 11 143 - 11	01550-06167	25 - 24 26 - 25 27 - 24		107 - 17 108 - 17 109 - 17
99011-90J20-059	139 - 11 140 - 11		28 - 25 29 - 24	01550-06307	110 - 17 52 - 13
	141 - 11 142 - 11 143 - 11 144 - 11		30 - 25 31 - 17 32 - 17 33 - 17 34 - 17	01550-06357 01550-08207 01550-0825A	67 - 16 49 - 17 1 - 9 65 - 21 96 - 21
0 0 0 0 0			35 - 17 36 - 17 49 - 16 67 - 14 104 - 28	01550-0835A 01550-08407 01550-08557 01550-08757	10 - 19 2 - 11 17 - 12 49 - 3 17 - 13
01421-0616A 01421-08357	10 - 16 17 - 9 25 - 22 26 - 23 27 - 22		105 - 16 106 - 16 107 - 16 108 - 16 109 - 16	01550-10507 01550-12167 01550-12307	65 - 22 25 - 25 27 - 25 29 - 25 2 - 2
01421-08507 01547-06167	28 - 23 29 - 22 30 - 23 17 - 10 66 - 9	01550-0620A 01550-06207	110 - 16 10 - 18 2 - 10 17 - 11 67 - 15	01570-06107 01580-08257 02112-0408A	75 - 10 104 - 32 19 - 14 21 - 14 23 - 14
01547-06257 01547-06357 01547-06557 01550-06127	1 - 23 50 - 11 50 - 12 1 - 24 19 - 25	01550-06257	31 - 18 32 - 18 33 - 18 34 - 18 35 - 18	02112-0510A 02112-0612A 02142-05207	19 - 15 21 - 15 23 - 15 1 - 25 138 - 59
	20 - 25 21 - 25 22 - 25 23 - 25 24 - 25		36 - 18 43 - 24 44 - 24 45 - 24 46 - 24	02142-06167 02162-05207	75 - 7 69 - 9 70 - 9 71 - 9 72 - 9
	51 - 16 52 - 20 105 - 15 106 - 15 107 - 15		47 - 24 48 - 24 68 - 8 96 - 14 98 - 22	02162-06127 03112-06303 03121-0516A	73 - 9 74 - 9 67 - 17 113 - 3 124 - 22
01550-0616A	108 - 15 109 - 15 110 - 15 10 - 17 50 - 13		99 - 22 100 - 22 101 - 22 105 - 17 106 - 17		125 - 22 126 - 22 127 - 22 128 - 22 128 - 32

PART NO.	FIG. NO. -REF. NO.	PART NO.	FIG. NO. -REF. NO.	PART NO.	FIG. NO. -REF. NO.
03121-0516A	129 - 22		70 - 12	09106-08099	138 - 51
	129 - 32		71 - 12	09106-10065	82 - 13
03542-06169	105 - 18		72 - 12		83 - 13
	106 - 18		73 - 12		84 - 13
	107 - 18		74 - 12		85 - 13
	108 - 18	09100-06131	98 - 10		86 - 13
	109 - 18		99 - 10	09116-06121	87 - 13
04211-11129	110 - 18		100 - 10		43 - 7
	17 - 14		101 - 10		44 - 7
	96 - 17		102 - 9		45 - 7
04211-13149	65 - 23		103 - 9		46 - 7
04211-13189	1 - 13	09100-08232	130 - 49		47 - 7
04221-05109	10 - 5		131 - 49		48 - 7
06111-07004	59 - 17		132 - 49		82 - 6
	60 - 17		133 - 49		83 - 6
	61 - 17	09100-10264	138 - 60		84 - 6
	62 - 17	09100-12081	112 - 14		85 - 6
	63 - 37	09100-12090	82 - 7		86 - 6
	64 - 37		84 - 7	09116-06127	87 - 6
06111-11004	59 - 18		86 - 7		104 - 21
	60 - 18	09100-12091	87 - 7	09116-06202	19 - 26
	61 - 18		82 - 7		20 - 26
	62 - 18		83 - 7		21 - 26
	63 - 38		84 - 7		22 - 26
	64 - 38		85 - 7		23 - 26
08113-62090	59 - 26		86 - 7		24 - 26
	60 - 26	09103-06231	66 - 6		25 - 23
	61 - 26	09103-06266	1 - 3		26 - 24
	62 - 26	09103-06278	82 - 19		27 - 23
08310-00067	75 - 11		83 - 17		28 - 24
08316-1006A	10 - 20		84 - 19		29 - 23
08316-10087	17 - 15		85 - 17	09116-06215	30 - 24
	25 - 26		86 - 17		18 - 8
	26 - 2	09103-06281	87 - 17	09116-08119	96 - 10
	27 - 26		1 - 8	09116-08125	1 - 12
	28 - 2		67 - 4	09116-08128	51 - 8
	29 - 26		89 - 14		96 - 11
	30 - 2		90 - 14	09116-08131	37 - 12
	75 - 2		91 - 14		38 - 12
08322-01067	68 - 9		92 - 14		39 - 12
08331-3112A	50 - 14		93 - 14		40 - 12
08331-4126A	10 - 9		94 - 14		41 - 12
08331-41359	96 - 6	09103-12049	10 - 3		42 - 12
08341-31059	66 - 11	09103-16004	66 - 7	09116-08137	98 - 11
09100-06113	69 - 12	09106-05030	66 - 10		99 - 11

DF100/115 E01 012

PART NO.	FIG. NO. -REF. NO.	PART NO.	FIG. NO. -REF. NO.	PART NO.	FIG. NO. -REF. NO.
09116-08137	100 - 11 101 - 11 102 - 10 103 - 10	09125-05046	37 - 13 38 - 13 39 - 13 40 - 13 41 - 13	09139-02003 09140-05005 09140-06020	138 - 56 49 - 13 136 - 31 130 - 51 131 - 51
09116-10129	51 - 9				
09116-10131	89 - 10 90 - 10 91 - 10 92 - 10 93 - 10	09125-05047 09125-05135 09125-06063	42 - 13 138 - 52 136 - 29 69 - 13 70 - 13		132 - 51 133 - 51 137 - 32 09140-10032 88 - 25 09140-14024 59 - 5
09116-10139 09116-10150	94 - 10 96 - 29 98 - 12 99 - 12 100 - 12		71 - 13 72 - 13 73 - 13 74 - 13 88 - 9		60 - 5 61 - 5 62 - 5 63 - 23 64 - 23
09117-08047	101 - 12 102 - 11 103 - 11 59 - 28 60 - 28	09125-06069 09125-06111	88 - 24 97 - 6 138 - 53 3 - 3 4 - 3	09141-18005	98 - 28 99 - 28 100 - 28 101 - 28 102 - 26
09117-08057	61 - 28 62 - 28 63 - 14 64 - 14 59 - 32	09126-05003	5 - 3 6 - 3 7 - 3 8 - 3 130 - 50	09159-08121 09159-10050 09159-12014	103 - 22 9 - 6 138 - 61 82 - 8 83 - 8
09117-10039	60 - 32 61 - 32 62 - 32 63 - 15 64 - 15	09126-06006 09126-06015	131 - 50 132 - 50 133 - 50 137 - 25 138 - 54		84 - 8 85 - 8 86 - 8 87 - 8 96 - 25
09117-10058	98 - 13 99 - 13 100 - 13 101 - 13 102 - 12	09132-04034	37 - 17 38 - 17 39 - 17 40 - 17 41 - 17	09159-14020 09159-22006	96 - 30 97 - 11 82 - 16 84 - 16 82 - 9
09117-10058 09118-08127 09119-05010	103 - 12 97 - 2 97 - 17 104 - 8 49 - 12	09136-05008 09136-06148 09136-06149 09137-04004	42 - 17 138 - 55 104 - 9 104 - 10 76 - 14		83 - 9 84 - 9 85 - 9 86 - 9 87 - 9
09125-05042	130 - 15 131 - 15 132 - 15 133 - 15 137 - 21		77 - 14 78 - 14 79 - 14 80 - 14 81 - 14	09160-05024 09160-05029 09160-06046 09160-06054 09160-06055	136 - 19 136 - 30 49 - 14 67 - 9 112 - 9

PART NO.	FIG. NO. -REF. NO.	PART NO.	FIG. NO. -REF. NO.	PART NO.	FIG. NO. -REF. NO.
09160-06082	88 - 26	09160-30055	63 - 18		41 - 14
09160-06085	98 - 14		64 - 18		42 - 14
	99 - 14	09160-30056	63 - 19	09163-06001	138 - 57
	100 - 14		64 - 19	09164-10016	138 - 66
	101 - 14	09160-35002	63 - 26	09164-14008	104 - 23
	102 - 13		64 - 26	09168-10022	98 - 15
	103 - 13	09160-35003	63 - 26		99 - 15
09160-06094	52 - 8		64 - 26		100 - 15
09160-06104	130 - 52	09160-35006	63 - 26		101 - 15
	131 - 52		64 - 26		102 - 14
	132 - 52	09160-35008	63 - 26		103 - 14
	133 - 52		64 - 26	09168-12012	51 - 10
09160-08059	96 - 16	09160-35009	63 - 26	09168-12013	25 - 11
09160-10082	82 - 14		64 - 26		27 - 11
	83 - 14	09160-35010	63 - 26		29 - 11
	84 - 14		64 - 26	09168-16002	50 - 7
	85 - 14	09160-35013	63 - 26	09169-06062	25 - 12
	86 - 14		64 - 26		26 - 13
	87 - 14	09160-35014	63 - 26		27 - 12
09160-10114	138 - 62		64 - 26		28 - 13
	82 - 10	09160-35015	63 - 26		29 - 12
09160-12044	83 - 10		64 - 26		30 - 13
	84 - 10	09160-39001	88 - 10	09169-06075	18 - 6
	85 - 10	09160-60003	63 - 28		19 - 19
	86 - 10		64 - 28		20 - 19
	87 - 10	09160-60004	63 - 28		21 - 19
09160-12066	112 - 15		64 - 28		22 - 19
	138 - 4	09160-60005	63 - 28		23 - 19
09160-12110	82 - 11		64 - 28		24 - 19
	83 - 11	09160-60006	63 - 28	09169-08039	104 - 11
	84 - 11		64 - 28	09169-28003	88 - 11
	85 - 11	09160-60007	63 - 28	09180-06186	49 - 15
	86 - 11		64 - 28	09180-09022	112 - 16
	87 - 11	09160-60008	63 - 28	09181-12158	50 - 8
	96 - 31		64 - 28	09181-28015	59 - 11
09160-12112	97 - 12	09160-60009	63 - 28		60 - 11
09160-12113	97 - 18		64 - 28		61 - 11
09160-13014	104 - 22	09160-60011	63 - 27		62 - 11
09160-16048	66 - 8		64 - 27	09181-28016	59 - 11
09160-18028	98 - 30	09160-70005	63 - 29		60 - 11
	99 - 30		64 - 29		61 - 11
	100 - 30	09161-16008	37 - 14		62 - 11
	101 - 30		38 - 14	09181-28017	59 - 11
	102 - 27		39 - 14		60 - 11
	103 - 23		40 - 14		61 - 11

DF100/115 E01 012

PART NO.	FIG. NO. -REF. NO.	PART NO.	FIG. NO. -REF. NO.	PART NO.	FIG. NO. -REF. NO.
09181-28017	62 - 11		60 - 7		63 - 25
09181-28018	59 - 11		61 - 7	09181-41014	64 - 25
	60 - 11		62 - 7		59 - 7
	61 - 11		63 - 25		60 - 7
	62 - 11		64 - 25		61 - 7
09181-28019	59 - 11	09181-41005	59 - 7		62 - 7
	60 - 11		60 - 7		63 - 25
	61 - 11		61 - 7		64 - 25
	62 - 11		62 - 7	09181-45003	59 - 10
09181-28020	59 - 11		63 - 25		60 - 10
	60 - 11	09181-41006	64 - 25		61 - 10
	61 - 11		59 - 7	09181-45004	62 - 10
09181-39001	62 - 11		60 - 7		59 - 10
09181-40186	88 - 12		61 - 7		60 - 10
	59 - 7		62 - 7		61 - 10
	60 - 7	09181-41008	63 - 25		62 - 10
	61 - 7		64 - 25	09181-45005	59 - 10
	62 - 7		59 - 7		60 - 10
	63 - 25		60 - 7		61 - 10
	64 - 25		61 - 7		62 - 10
09181-40190	59 - 7		62 - 7	09181-45006	59 - 10
	60 - 7		63 - 25		60 - 10
	61 - 7		64 - 25		61 - 10
	62 - 7	09181-41009	59 - 7		62 - 10
	63 - 25		60 - 7	09181-45007	59 - 10
	64 - 25		61 - 7		60 - 10
09181-40195	59 - 7		62 - 7		61 - 10
	60 - 7		63 - 25		62 - 10
	61 - 7	09181-41010	64 - 25	09181-45008	59 - 10
	62 - 7		59 - 7		60 - 10
	63 - 25		60 - 7		61 - 10
	64 - 25		61 - 7		62 - 10
09181-41002	59 - 7		62 - 7	09181-45009	59 - 10
	60 - 7		63 - 25		60 - 10
	61 - 7		64 - 25		61 - 10
	62 - 7	09181-41012	59 - 7		62 - 10
	63 - 25		60 - 7	09181-50020	59 - 9
	64 - 25		61 - 7		60 - 9
09181-41003	59 - 7		62 - 7		61 - 9
	60 - 7		63 - 25		62 - 9
	61 - 7	09181-41013	64 - 25	09181-50021	59 - 9
	62 - 7		59 - 7		60 - 9
	63 - 25		60 - 7		61 - 9
	64 - 25		61 - 7		62 - 9
09181-41004	59 - 7		62 - 7	09181-50022	59 - 9

PART NO.	FIG. NO. -REF. NO.	PART NO.	FIG. NO. -REF. NO.	PART NO.	FIG. NO. -REF. NO.
09181-50022	60 - 9 61 - 9 62 - 9	09181-70011	63 - 30 64 - 30		100 - 17 101 - 17
09181-50023	59 - 9 60 - 9	09181-70012	63 - 30 64 - 30	09206-13019	2 - 9
		09202-06031	37 - 15	09229-04025	105 - 4 106 - 4
09181-50024	61 - 9 62 - 9 59 - 9 60 - 9 61 - 9		38 - 15 39 - 15 40 - 15 41 - 15 42 - 15		107 - 4 108 - 4 109 - 4 110 - 4 105 - 5
09181-50025	62 - 9 59 - 9 60 - 9 61 - 9 62 - 9	09202-07002	59 - 14 60 - 14 61 - 14 62 - 14 63 - 39		106 - 5 107 - 5 108 - 5 109 - 5 110 - 5
09181-50026	59 - 9 60 - 9 61 - 9 62 - 9	09202-08006	64 - 39 97 - 3 98 - 16 99 - 16	09246-05006	2 - 13
09181-50027	59 - 9		100 - 16	09247-12013	26 - 14 28 - 14 30 - 14
09181-50028	60 - 9 61 - 9 62 - 9 59 - 9 60 - 9	09204-01006	101 - 16 102 - 15 103 - 15 52 - 9 88 - 27	09248-10008	98 - 18
09181-50029	61 - 9 62 - 9 59 - 9 60 - 9 61 - 9	09204-03003	98 - 29 99 - 29 100 - 29 101 - 29 102 - 28	09248-12009	51 - 11
09181-70001	62 - 9 63 - 30 64 - 30	09205-02006	103 - 24 49 - 5	09248-12011	96 - 18
09181-70002	63 - 30 64 - 30	09205-04014	53 - 8 54 - 8 55 - 8	09248-18011	2 - 6
09181-70003	63 - 30 64 - 30		56 - 8 57 - 8	09250-10001	88 - 13
09181-70004	63 - 30 64 - 30	09205-10006	52 - 16	09250-12013	105 - 14
09181-70006	63 - 30	09206-08001	1 - 4		
09181-70009	64 - 30 63 - 30 64 - 30	09206-09012	96 - 12 63 - 12 64 - 12	09251-07003	111 - 9
09181-70010	63 - 30 64 - 30		98 - 17 99 - 17	09251-09002	76 - 4 77 - 4 78 - 4 79 - 4
				09260-10005	80 - 4 81 - 4 52 - 17
				09261-05006	50 - 9
				09262-17019	96 - 2

DF100/115 E01 012

PART NO.	FIG. NO. -REF. NO.	PART NO.	FIG. NO. -REF. NO.	PART NO.	FIG. NO. -REF. NO.
09262-35068	10 - 6	09280-22020	50 - 10	09282-30007	63 - 6
09262-35069	10 - 7	09280-22022	10 - 8		64 - 6
	96 - 7	09280-26005	31 - 12	09282-39001	88 - 14
09263-28016	98 - 2		32 - 14	09283-10011	53 - 10
	99 - 2		33 - 12		54 - 10
	100 - 2		34 - 14		55 - 10
	101 - 2		35 - 12		56 - 10
	102 - 2		36 - 14		57 - 10
	103 - 2	09280-26006	1 - 20		58 - 10
09263-28047	59 - 23		43 - 8	09283-32044	96 - 4
	60 - 23		44 - 8	09283-52004	9 - 11
	61 - 23		45 - 8	09289-06003	11 - 11
	62 - 23		46 - 8		12 - 11
09263-30051	63 - 3		47 - 8		13 - 11
	64 - 3		48 - 8		14 - 11
09263-45004	63 - 13		96 - 13		15 - 11
	64 - 13	09280-46004	59 - 30		16 - 11
09263-50001	63 - 4		60 - 30	09289-18001	96 - 5
	64 - 4		61 - 30	09306-06004	52 - 10
09265-25040	59 - 3		62 - 30	09306-10001	52 - 11
	60 - 3		63 - 9	09306-10020	138 - 65
	61 - 3		64 - 9	09306-13008	104 - 25
	62 - 3	09280-69001	53 - 9	09307-13006	104 - 24
	63 - 21		54 - 9	09320-05016	31 - 7
	64 - 21		55 - 9		32 - 9
09265-50003	59 - 8		56 - 9		33 - 7
	60 - 8		57 - 9		34 - 9
	61 - 8		58 - 9		35 - 7
	62 - 8	09280-97001	59 - 24		36 - 9
	98 - 3		60 - 24	09320-08062	25 - 14
	99 - 3		61 - 24		26 - 16
	100 - 3		62 - 24		27 - 14
	101 - 3		63 - 5		28 - 16
	102 - 3		64 - 5		29 - 14
	103 - 3	09282-24003	96 - 3		30 - 16
09269-30014	63 - 20	09282-24004	59 - 31	09320-08501	25 - 13
	64 - 20		60 - 31		26 - 15
09269-60001	63 - 31		61 - 31		27 - 13
	64 - 31		62 - 31		28 - 15
09269-70001	63 - 32		63 - 10		29 - 13
	64 - 32		64 - 10		30 - 15
09280-09005	51 - 6	09282-28002	59 - 25	09320-09039	18 - 7
09280-09008	51 - 15		60 - 25		19 - 20
09280-13005	51 - 12		61 - 25		20 - 20
09280-22019	1 - 6		62 - 25		21 - 20

PART NO.	FIG. NO. -REF. NO.	PART NO.	FIG. NO. -REF. NO.	PART NO.	FIG. NO. -REF. NO.
09320-09039	22 - 20 23 - 20 24 - 20		29 - 17 29 - 18 30 - 17		46 - 10 46 - 11 46 - 12
09320-10008	67 - 10		30 - 18		46 - 13
09320-11013	104 - 12		30 - 19		46 - 14
09320-12011	67 - 11		30 - 20		46 - 15
09321-08022	104 - 13	09352-11153-600	43 - 9		46 - 16
09329-01007	67 - 12		44 - 9		47 - 10
09329-10022	105 - 12 106 - 12		45 - 9 46 - 9		47 - 11 47 - 12
	107 - 12 108 - 12 109 - 12 110 - 12		47 - 9 48 - 9		47 - 13 47 - 14
09329-10023	105 - 13	09352-50823-600	19 - 21 20 - 21 21 - 21		47 - 15 47 - 16 48 - 10
	106 - 13 107 - 13 108 - 13 109 - 13 110 - 13		22 - 21 23 - 21 24 - 21		48 - 11 48 - 12 48 - 13
		09352-50903-00B	43 - 17 44 - 17		48 - 14 48 - 15
09329-12004	17 - 8		45 - 17		48 - 16
09343-70503-600	31 - 14 32 - 15 33 - 14 34 - 15		46 - 17 47 - 17 48 - 17		116 - 2 116 - 3 117 - 2
		09352-50903-600	43 - 10		117 - 3
	35 - 14 36 - 15		43 - 11 43 - 12		118 - 2 118 - 3
09343-75001-600	25 - 15 25 - 16 25 - 17		43 - 13 43 - 14 43 - 15		119 - 2 119 - 3 120 - 2
	25 - 18 26 - 17 26 - 18 26 - 19 26 - 20		43 - 16 44 - 10 44 - 11 44 - 12 44 - 13	09355-13207-00B 09355-40805-00B	120 - 3 121 - 2 121 - 3 1 - 21 98 - 19
	27 - 15 27 - 16 27 - 17 27 - 18 28 - 17		44 - 14 44 - 15 44 - 16 45 - 10 45 - 11		98 - 19 99 - 19 99 - 19 100 - 19 100 - 19
	28 - 18 28 - 19 28 - 20 29 - 15 29 - 16		45 - 12 45 - 13 45 - 14 45 - 15 45 - 16		101 - 19 101 - 19 102 - 17 102 - 17 103 - 17

DF100/115 E01 012

PART NO.	FIG. NO. -REF. NO.	PART NO.	FIG. NO. -REF. NO.	PART NO.	FIG. NO. -REF. NO.
09355-40805-00B	103 - 17		64 - 7		47 - 20
09360-12008	25 - 19	09401-08412	19 - 22		48 - 20
	27 - 19		20 - 22	09401-20409	1 - 22
	29 - 19		21 - 22	09401-31407	43 - 21
09360-12013	26 - 21		22 - 22		44 - 21
	28 - 21		23 - 22		45 - 21
	30 - 21		24 - 22		46 - 21
09362-09008	98 - 20	09401-08413	43 - 19		47 - 21
	99 - 20		44 - 19		48 - 21
	100 - 20		45 - 19	09403-06316	76 - 15
	101 - 20		46 - 19		77 - 15
	102 - 18		47 - 19		78 - 15
09363-08004	103 - 18		48 - 19		79 - 15
	25 - 20		116 - 5		80 - 15
	27 - 20		117 - 5		81 - 15
	29 - 20		118 - 5	09403-13408	19 - 23
09367-06002	43 - 18		119 - 5		20 - 23
	44 - 18		120 - 5		21 - 23
	45 - 18	09401-11423	121 - 5		22 - 23
	46 - 18		31 - 4		23 - 23
	47 - 18		31 - 16		24 - 23
	48 - 18		32 - 6		52 - 18
09367-06006	116 - 4		32 - 16	09403-20308	89 - 12
	117 - 4		33 - 4		90 - 12
	118 - 4		33 - 16		91 - 12
	119 - 4		34 - 6		92 - 12
	120 - 4		34 - 16		93 - 12
09367-08001	121 - 4		35 - 4		94 - 12
	111 - 10		35 - 16		104 - 33
09380-22015	89 - 11		36 - 6	09407-08401	124 - 8
	90 - 11		36 - 16		124 - 24
	91 - 11	09401-11425	111 - 8		125 - 8
	92 - 11		20 - 28		125 - 24
	93 - 11		22 - 28		126 - 8
	94 - 11		24 - 28		126 - 24
09380-38003	88 - 15		25 - 21		127 - 8
09381-21002	9 - 4		26 - 22		127 - 24
09383-08004	52 - 12		27 - 21		128 - 8
09385-06012	112 - 8		28 - 22		128 - 24
09387-45001	97 - 4		29 - 21		128 - 34
09387-52001	59 - 27		30 - 22		129 - 8
	60 - 27	09401-14409	43 - 20		129 - 24
	61 - 27		44 - 20		129 - 34
	62 - 27		45 - 20	09407-10404	75 - 15
	63 - 7		46 - 20		98 - 21

PART NO.	FIG. NO. -REF. NO.	PART NO.	FIG. NO. -REF. NO.	PART NO.	FIG. NO. -REF. NO.
09407-10404	99 - 21 100 - 21 101 - 21 102 - 19 103 - 19	09408-00124	47 - 23 48 - 23 19 - 24 20 - 24 21 - 24		74 - 16 74 - 18 114 - 2 114 - 9 114 - 13
09407-14403	69 - 10 70 - 10 71 - 10 72 - 10 73 - 10	09409-05302-5PK 09420-05009	22 - 24 23 - 24 24 - 24 104 - 14 37 - 16	09481-05501 09481-10501	114 - 15 114 - 19 123 - 5 123 - 12 122 - 6
09407-14407	74 - 10 138 - 63 69 - 10 70 - 10 71 - 10		38 - 16 39 - 16 40 - 16 41 - 16 42 - 16	09481-15501	130 - 55 131 - 55 132 - 55 133 - 55 75 - 14
	72 - 10 73 - 10 74 - 10 75 - 16 76 - 11	09440-07071 09440-09040	52 - 19 59 - 16 60 - 16 61 - 16 62 - 16	09481-30501 09481-60401 09482-00427 09800-81840	75 - 4 75 - 9 1 - 26 105 - 26 106 - 26
	77 - 11 78 - 11 79 - 11 80 - 11 81 - 11	09440-12027 09440-19028 09440-49004	63 - 36 64 - 36 138 - 58 88 - 28 59 - 19		107 - 26 108 - 26 109 - 26 110 - 26
09407-25402	114 - 6 114 - 18 104 - 27 116 - 7 117 - 7		60 - 19 61 - 19 62 - 19 63 - 40 64 - 40		
09408-00024	118 - 7 119 - 7 120 - 7 121 - 7 43 - 22	09471-12028 09471-12077	114 - 4 69 - 6 70 - 6 71 - 6 72 - 6		
	44 - 22 45 - 22 46 - 22 47 - 22 48 - 22	09471-12103	73 - 6 74 - 6 114 - 22 69 - 16 70 - 16		
09408-00035 09408-00069	68 - 7 43 - 23 44 - 23 45 - 23 46 - 23		70 - 18 71 - 16 72 - 16 72 - 18 73 - 16		

DF100/115 E01 012

SUZUKI DF100/DF115 PARTS CATALOGUE

1ST EDITION

PUBLISHED IN APR 2011

2011 **SUZUKI MOTOR CORPORATION** All rights reserved.

No part of this document may be modified reproduced, distributed, sold or transmitted in any form or by any means, electronic or mechanical, for any purpose, without the express written permission of Suzuki Motor Corporation.

SUZUKI MOTOR CORPORATION

FIELD QUALITY ASSURANCE GROUP

MOTORCYCLE QUALITY ASSURANCE DEPARTMENT

QUALITY CONTROL

300 TAKATUKA, MINAMI, HAMAMATU, JAPAN

SUZUKI MOTOR CORPORATION

PRINTED IN JAPAN

9900B-45222