

SUZUKI

PARTS CATALOGUE

DF9. 9B/15A/20A

DF9.9B

DF9.9BR

DF15A

DF15AR

DF20A

DF20AR



OUTBOARD MOTOR

P01/P40

2012-11

2ND EDITION

This part catalogue supersedes all the following part catalogue with immediate effect

Model of catalogue	Parts catalogue No.
DF15A/20A P01 013	9900B-45247

PREFACE

When it becomes necessary to replace parts on SUZUKI OUTBOARD MOTORS, always use SUZUKI GENUINE PARTS which have passed a strict inspection which guarantees quality and performance.

This parts catalogue covers the list of all service parts for SUZUKI DF9.9B/15A/20A production start 2012.

INSTRUCTIONS FOR QUOTING THE CATALOGUE

1. DIMENSIONS

Dimensions of the parts in this catalogue are indicated in unit millimeters.

2. ABBREVIATIONS

Abbreviations used in this catalogue are as follows:

AR	: As required	NT	: Number of teeth
ASSY	: Assembly	OPT	: Optional
E. NO.	: Engine number	OS	: Over size
F. NO.	: Frame number	STD	: Standard
D	: Diameter of material	T	: Thickness
ID	: Inside diameter	US	: Under size
OD	: Outside diameter	W	: Width
L	: Length	W/	: with
LH(PORT)	: Left hand side	S,L	: Transom type
RH(STBD)	: Right hand side	SUS	: Stainless steel
~123456	: Up to E. NO. 02002F-123456		
123456~	: From E. NO. 02002F-123456		

12 x 34 x 5.6..... Figures in the description column

| | | show the dimensions of parts.

ID OD T(or W, L)

→12345-56781 (Parts No.) : indicates that the parts number was changed to 12345-56781 and the new parts are interchangeable with the former ones but the former ones are not interchangeable with new ones.

←12345-56781 (Parts No.) : indicates that the former and new parts are interchangeable with each other and both are usable.

3. INNER PARTS OF ASSEMBLY

Part name with a dot (.) in front as shown in the description column indicates the component of the assembly also available individually.

4. MODIFICATION NOTICE

A parts bulletin will be sent to you on all occasions when changes in parts occur, including interchangeable modifications between new parts and old ones.

5. NOTE

5-1. There are some different parts from those of production models among spare parts for the administrative reasons and common use of them with other models.

5-2. In respect of rubber hoses and vinyl tubes, please be sure to use them by cutting off according to the length mentioned on parts catalogue or what is actually required on the vehicle.

5-3. Note that the drawings on the illustration page are for ready reference of spare parts number, not to be used as an assembly manual. When assembling, use "SUZUKI SERVICE MANUAL".

6. SPECIFICATION CODE

This catalogue contains the parts for the model designed for the following spec.:

spec. code :	DF9.9B : P1	DF9.9BR : P1
	DF15A : P1	DF15AR : P1
	DF20A : P1, P40	DF20AR : P1

7. MODEL NAME AND ENGINE NUMBER

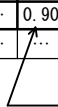
MODEL	DESTINATION	TYPE	TRANSOM	ENGINE NO.
DF9.9B	P01	00995F	S, L	00995F-310001~
DF9.9BR	P01	00995F	S, L	00995F-310001~
DF15A	P01	01504F	S, L	01504F-310001~
DF15AR	P01	01504F	S, L	01504F-310001~
DF20A	P01, P40	02002F	S, L	02002F-310001~
DF20AR	P01	02002F	S, L	02002F-310001~

MILLIMETER → INCH CONVERSION CHART

	0	1	2	3	4	5	6	7	8	9
00	.000	.039	.079	.118	.157	.197	.236	.276	.315	.354
10	.394	.433	.472	.512	.551	.591	.630	.669	.709	.748
20	.787	.827	.866	.906	.945	.984	1.024	1.063	1.102	1.142
30	1.181	1.220	1.260	1.299	1.339	1.378	1.417	1.457	1.496	1.535
40	1.575	1.614	1.654	1.693	1.732	1.772	1.811	1.850	1.890	1.929
50	1.969	2.008	2.047	2.087	2.126	2.165	2.205	2.214	2.283	2.323
60	2.362	2.402	2.441	2.480	2.520	2.559	2.598	2.638	2.677	2.717
70	2.756	2.795	2.835	2.874	2.913	2.953	2.992	3.031	3.071	3.110
80	3.150	3.189	3.228	3.268	3.307	3.346	3.386	3.425	3.465	3.504
90	3.543	3.583	3.622	3.661	3.701	3.740	3.780	3.819	3.858	3.898

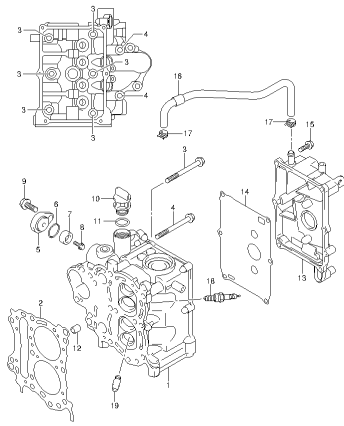
How to read

	0	1	2	3	4
00
10
20	0.906	...
30


 23 millimeters equal 0.906 inch

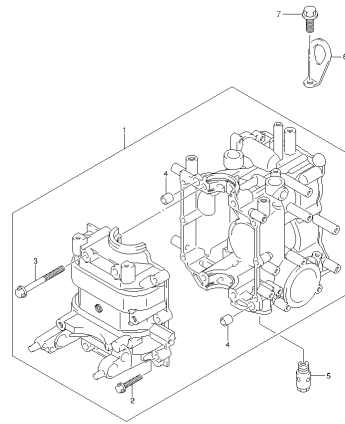
Contents are subject to change without notice or obligation.

FIG.1



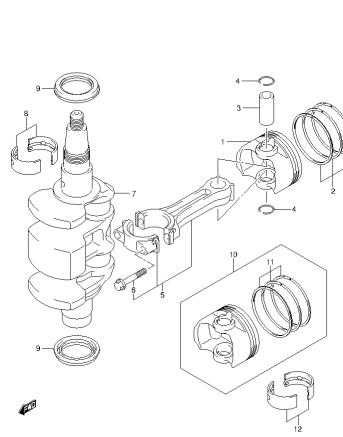
DF20A_F01_013_001
CYLINDER HEAD

FIG.2



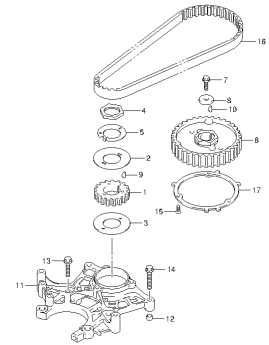
DF20A_F01_013_002
CYLINDER BLOCK

FIG.3



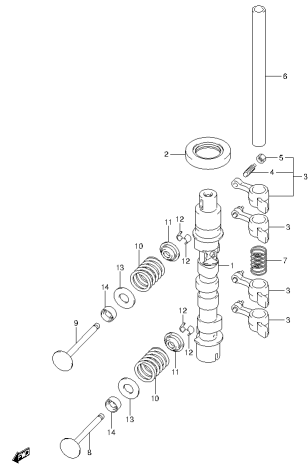
DF20A_F01_013_003
CRANKSHAFT

FIG.4



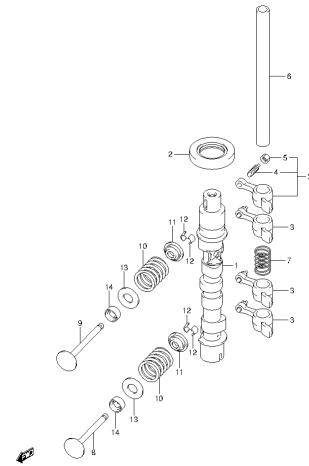
DF20A_F01_013_004
TIMING BELT

FIG.5



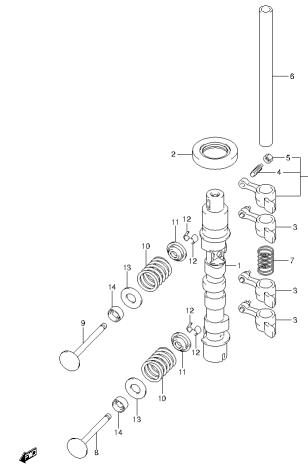
DF20A_F01_013_005
CAMSHAFT

FIG.6



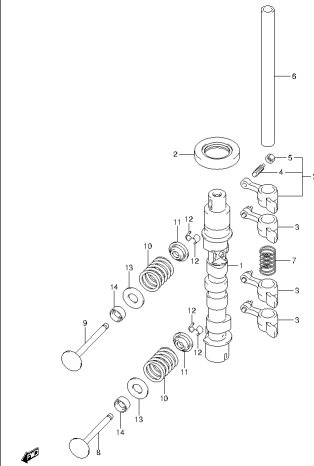
DF20A_F01_013_006
CAMSHAFT

FIG.7



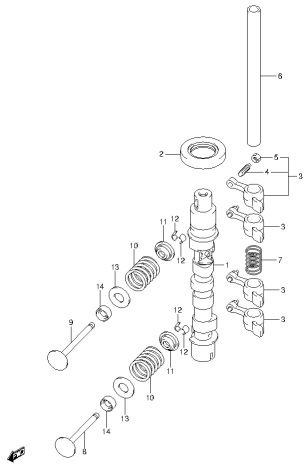
DF20A_F01_013_007
CAMSHAFT

FIG.8



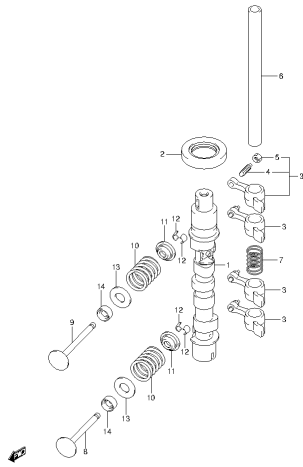
DF20A_F01_013_008
CAMSHAFT

FIG.9



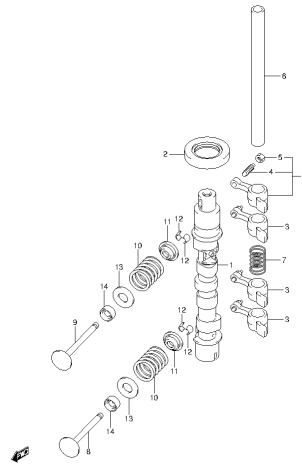
DF20A_F01_013_009
CAMSHAFT

FIG.10



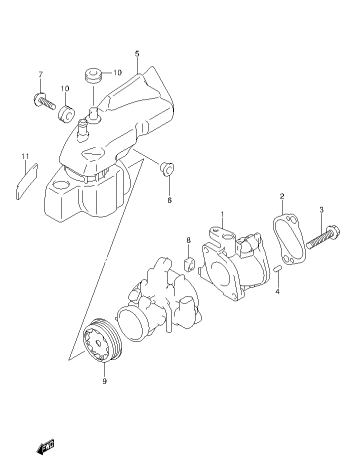
DF20A_F01_013_010
CAMSHAFT

FIG.11



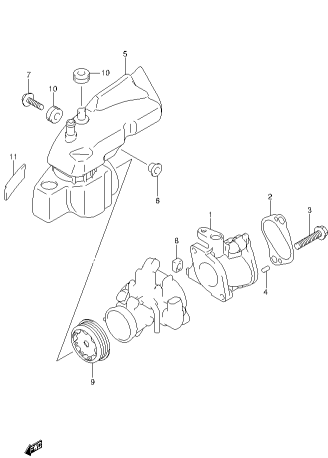
DF20A_F01_013_011
CAMSHAFT

FIG.12



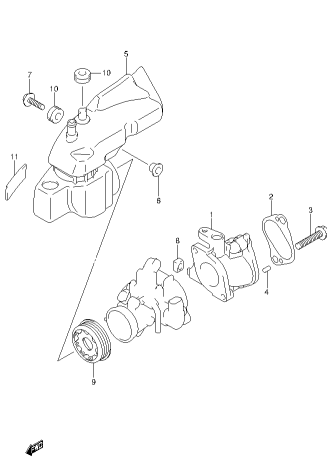
DF20A_F01_013_012
INLET MANIFOLD

FIG.13



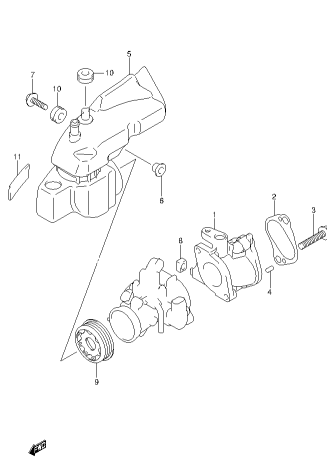
DF20A_F01_013_013
INLET MANIFOLD

FIG.14



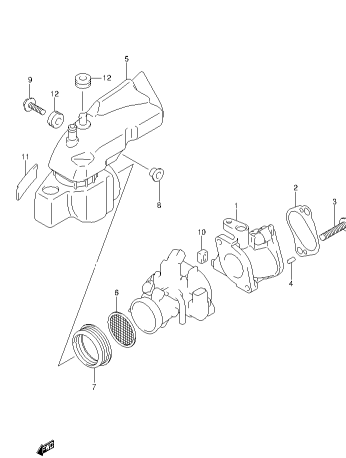
DF20A_F01_013_014
INLET MANIFOLD

FIG.15



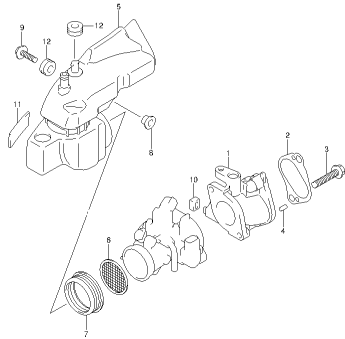
DF20A_F01_013_015
INLET MANIFOLD

FIG.16



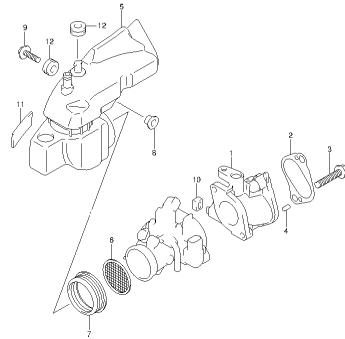
DF20A_F01_013_016
INLET MANIFOLD

FIG.17



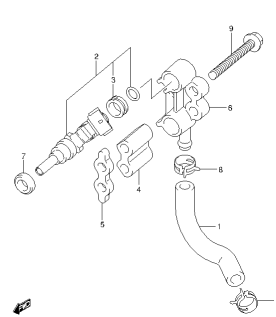
DF20A_F01_013_017
INLET MANIFOLD

FIG.18



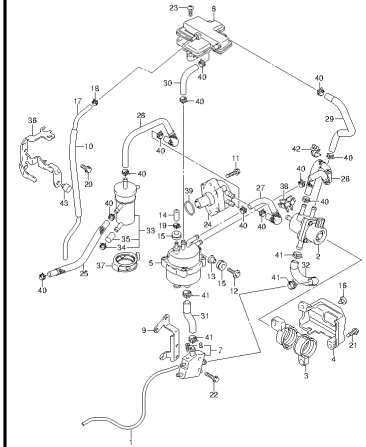
DF20A_F01_013_018
INLET MANIFOLD

FIG.19



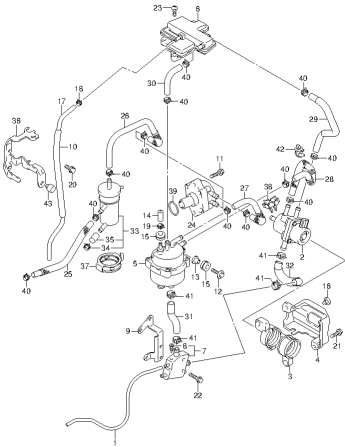
DF20A_F01_013_019
FUEL INJECTOR

FIG.20



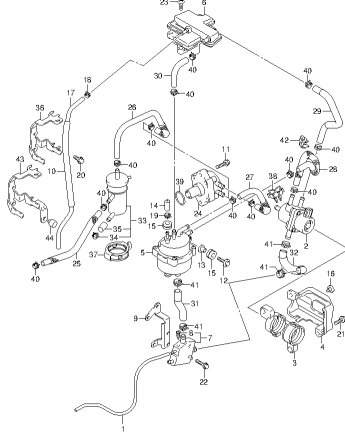
DF20A_F01_013_020
FUEL PUMP

FIG.21



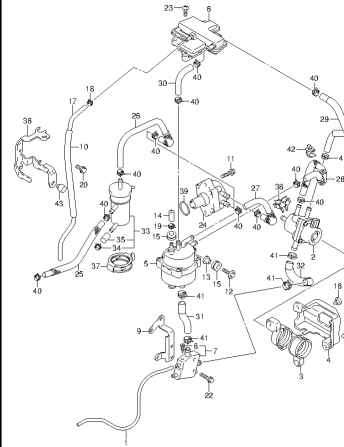
DF20A_F01_013_021
FUEL PUMP

FIG.22



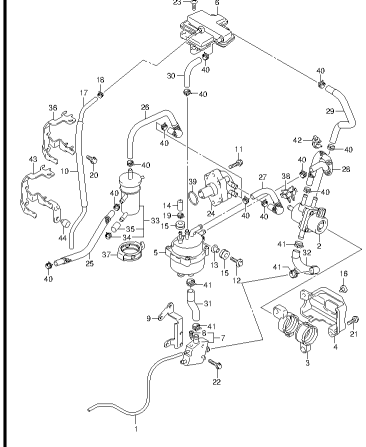
DF20A_F01_013_022
FUEL PUMP

FIG.23

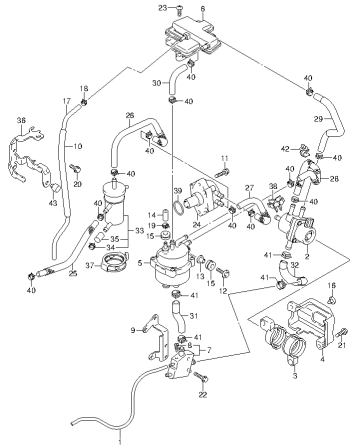


DF20A_F01_013_023
FUEL PUMP

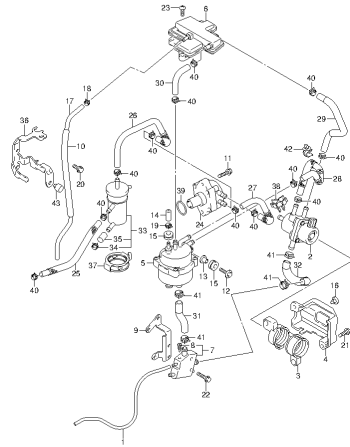
FIG.24



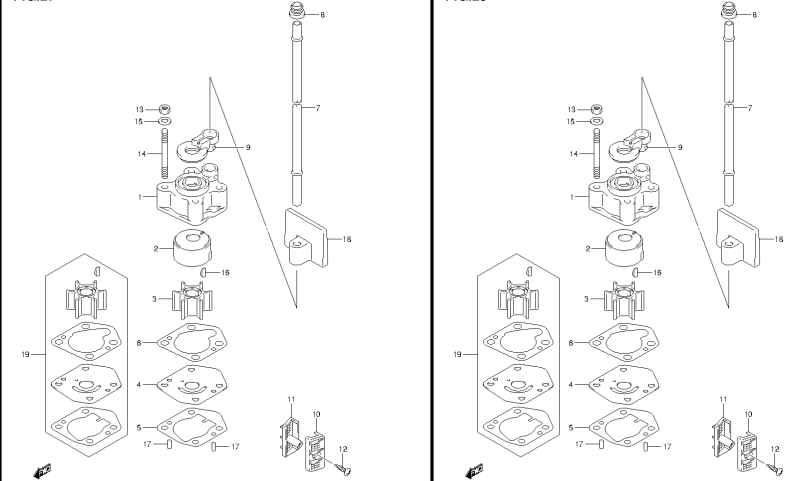
DF20A_F01_013_024
FUEL PUMP

FIG.25

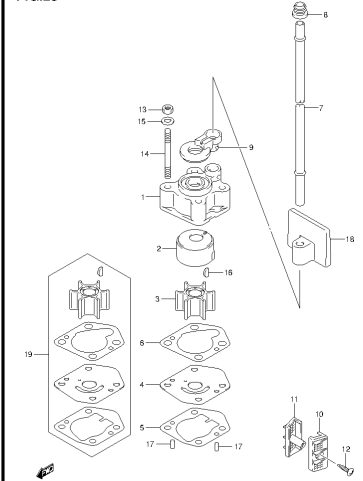
DF20A_F01_013_025
FUEL PUMP

FIG.26

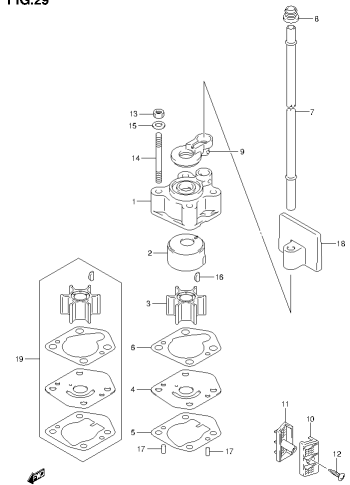
DF20A_F01_013_026
FUEL PUMP

FIG.27

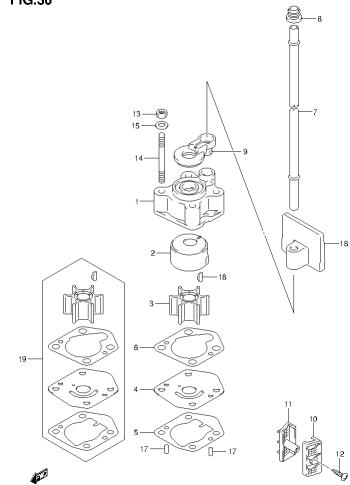
DF20A_F01_013_027
WATER PUMP

FIG.28

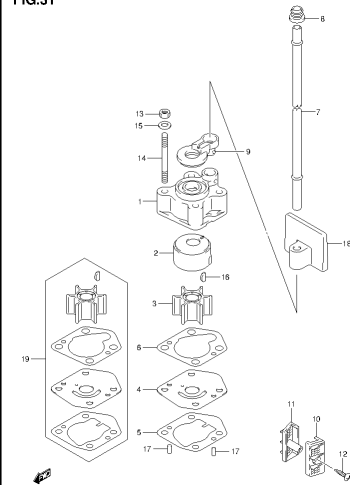
DF20A_F01_013_028
WATER PUMP

FIG.29

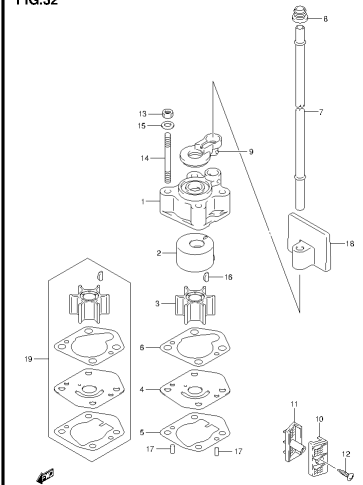
DF20A_F01_013_029
WATER PUMP

FIG.30

DF20A_F01_013_030
WATER PUMP

FIG.31

DF20A_F01_013_031
WATER PUMP

FIG.32

DF20A_F01_013_032
WATER PUMP

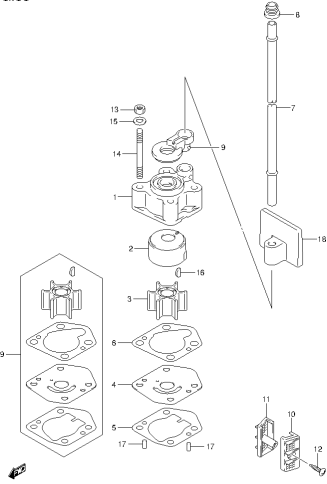
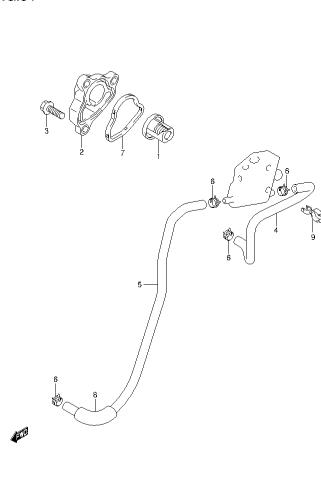
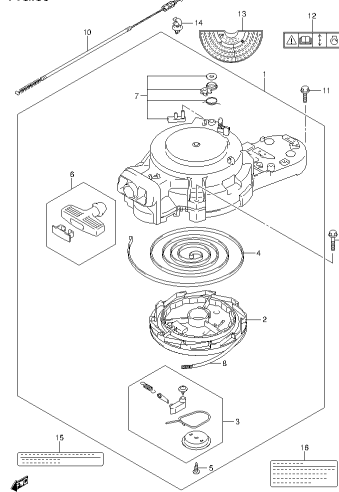
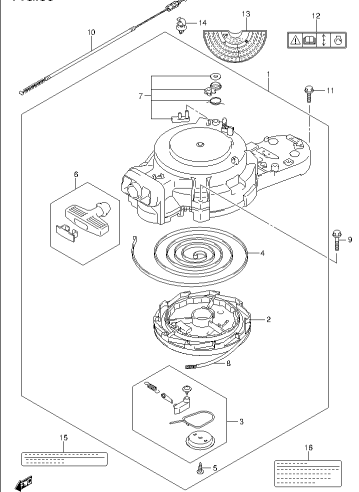
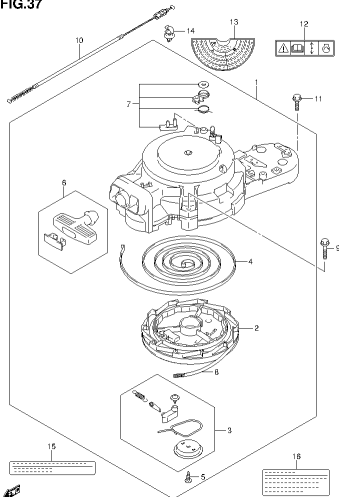
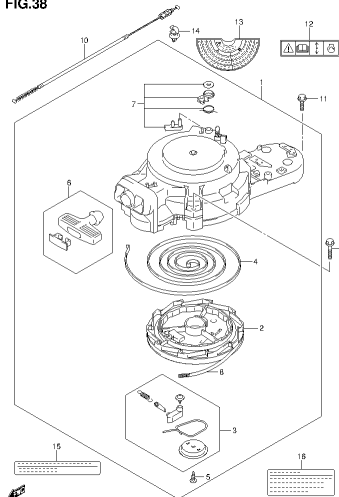
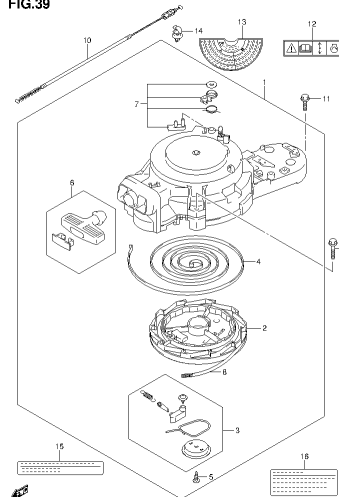
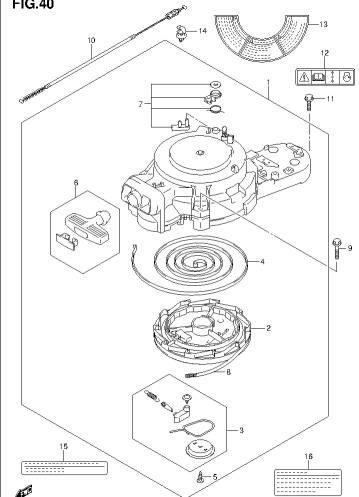
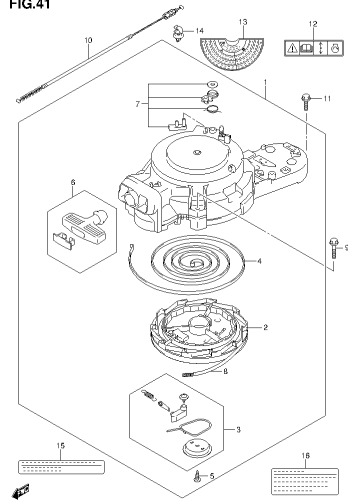
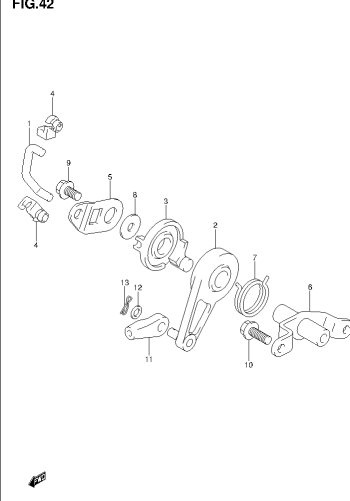
FIG.33DF20A_F01_013_033
WATER PUMP**FIG.34**DF20A_F01_013_034
THERMOCUPLE**FIG.35**DF20A_F01_013_035
RECOIL STARTER**FIG.36**DF20A_F01_013_036
RECOIL STARTER**FIG.37**DF20A_F01_013_037
RECOIL STARTER**FIG.38**DF20A_F01_013_038
RECOIL STARTER**FIG.39**DF20A_F01_013_039
RECOIL STARTER**FIG.40**DF20A_F01_013_040
RECOIL STARTER

FIG.41



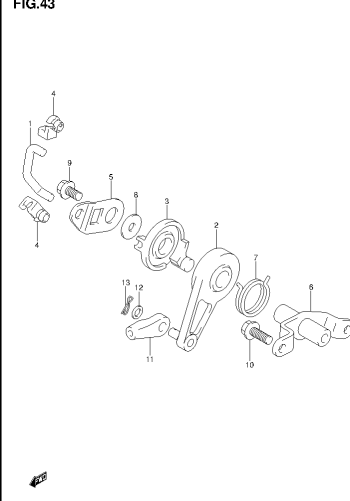
DF20A_F01_013_041
RECOIL STARTER

FIG.42



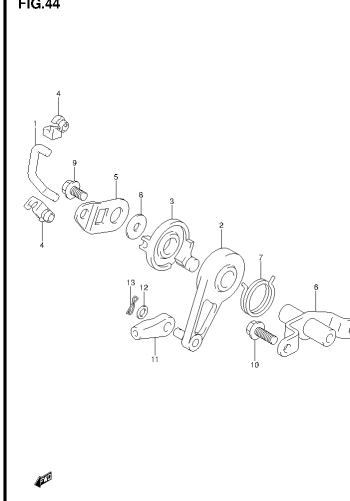
DF20A_F01_013_042
THROTTLE CONTROL

FIG.43



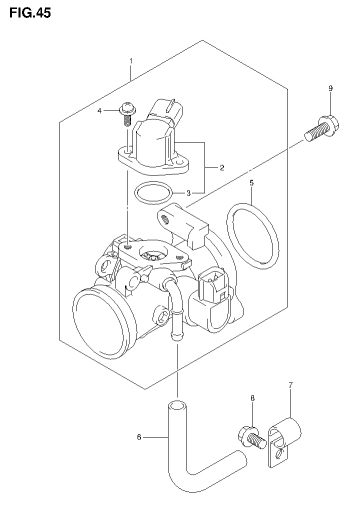
DF20A_F01_013_043
THROTTLE CONTROL

FIG.44



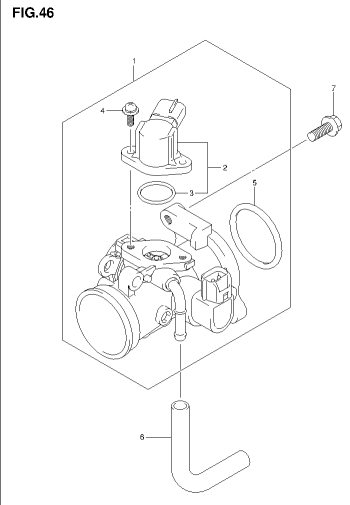
DF20A_F01_013_044
THROTTLE CONTROL

FIG.45



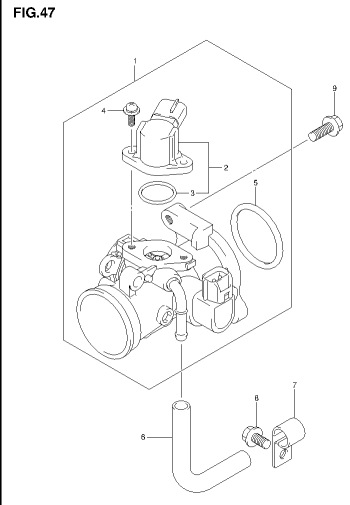
DF20A_F01_013_045
THROTTLE BODY

FIG.46



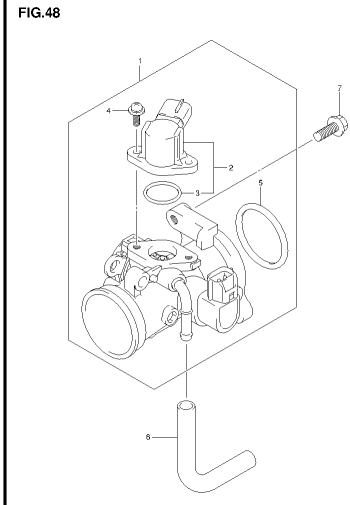
DF20A_F01_013_046
THROTTLE BODY

FIG.47



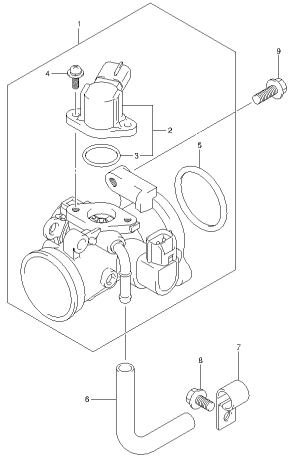
DF20A_F01_013_047
THROTTLE BODY

FIG.48



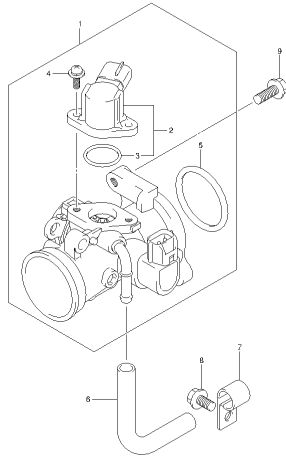
DF20A_F01_013_048
THROTTLE BODY

FIG.49



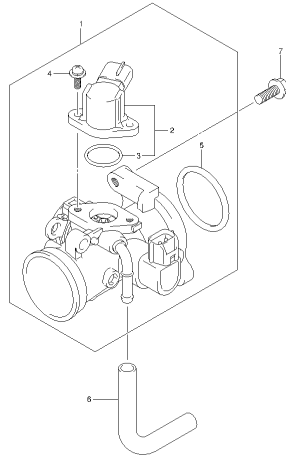
DF20A_F01_013_049
THROTTLE BODY

FIG.50



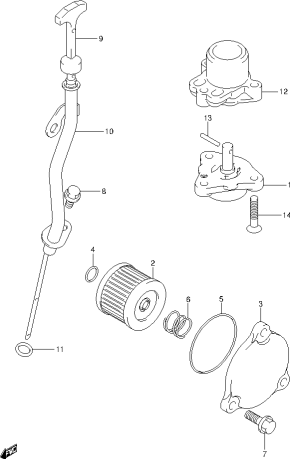
DF20A_F01_013_050
THROTTLE BODY

FIG.51



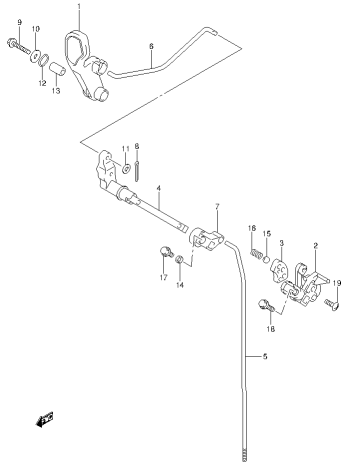
DF20A_F01_013_051
THROTTLE BODY

FIG.52



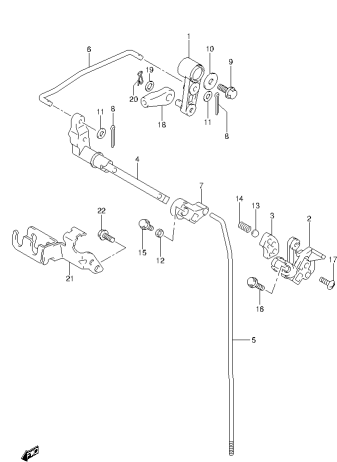
DF20A_F01_013_052
OIL PUMP

FIG.53



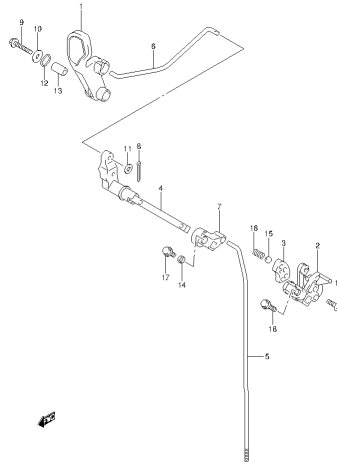
DF20A_F01_013_053
CLUTCH ROD

FIG.54



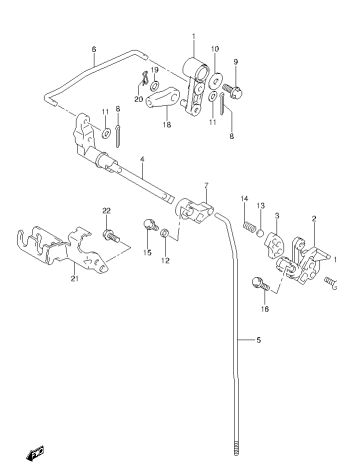
DF20A_F01_013_054
CLUTCH ROD

FIG.55



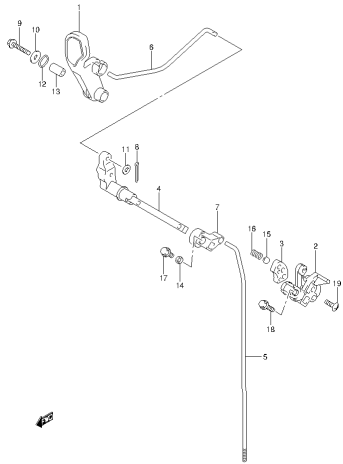
DF20A_F01_013_055
CLUTCH ROD

FIG.56



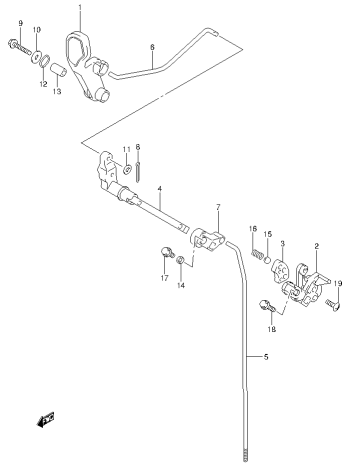
DF20A_F01_013_056
CLUTCH ROD

FIG.57



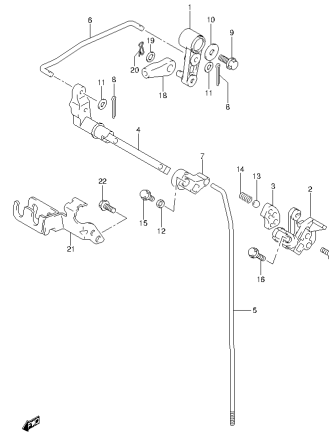
DF20A_F01_013_057
CLUTCH FORK

FIG.58



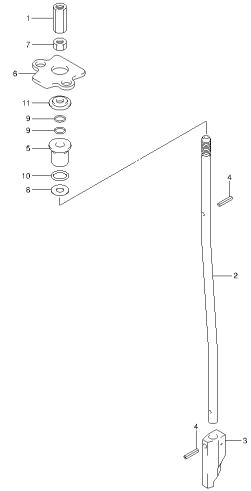
DF20A_F01_013_058
CLUTCH FORK

FIG.59



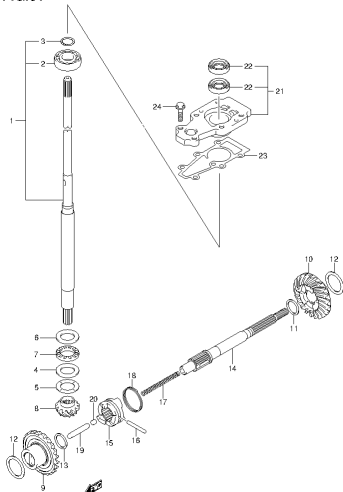
DF20A_F01_013_059
CLUTCH FORK

FIG.60



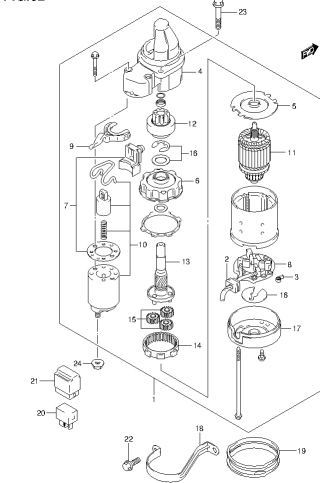
DF20A_F01_013_060
SHIFT FORK

FIG.61



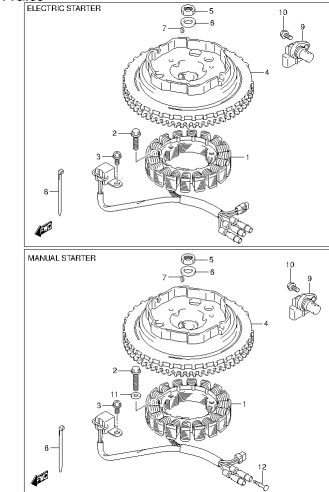
DF20A_F01_013_061
TRANSMISSION

FIG.62



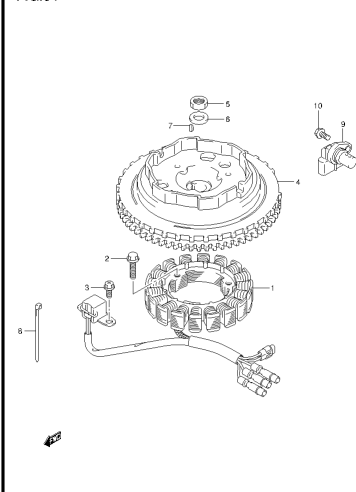
DF20A_F01_013_082
STARTING MOTOR (ELECTRIC STARTER)

FIG.63

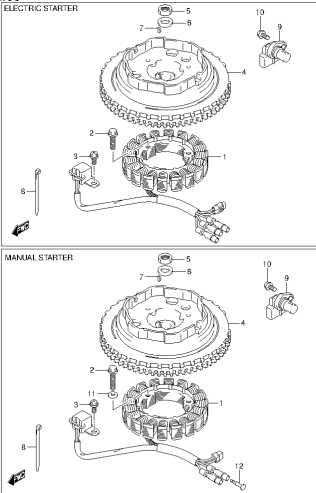


DF20A_F01_013_083
MAGNETO

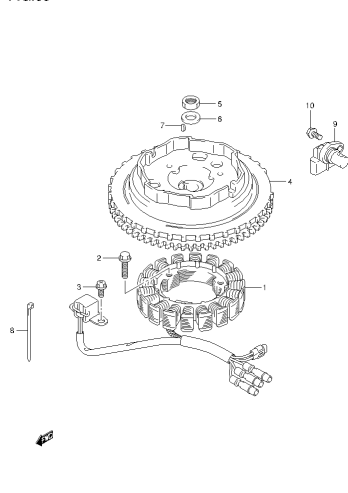
FIG.64



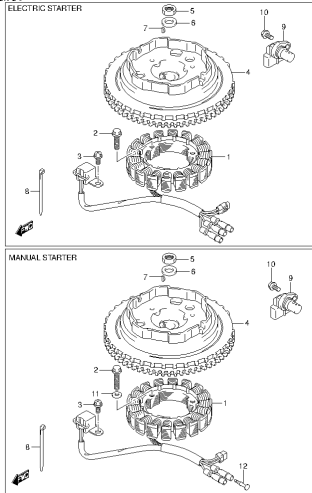
DF20A_F01_013_084
MAGNETO

FIG.65

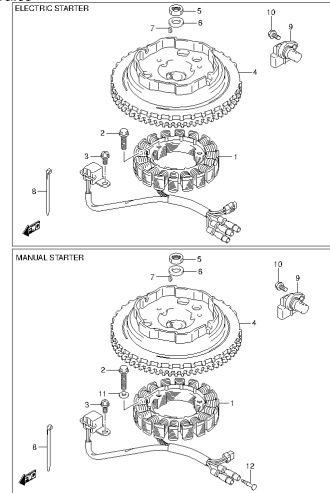
DF20A_F01_013_065
MAGNETO

FIG.66

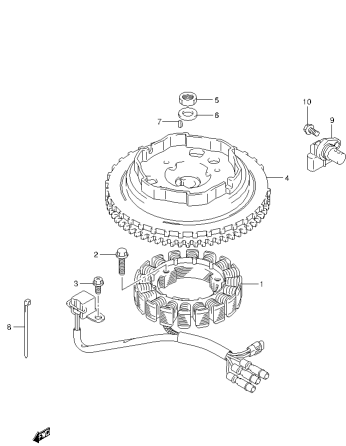
DF20A_F01_013_066
MAGNETO

FIG.67

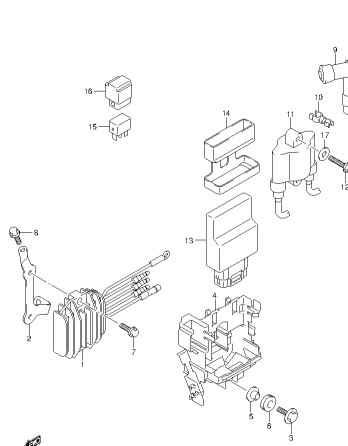
DF20A_F01_013_067
MAGNETO

FIG.68

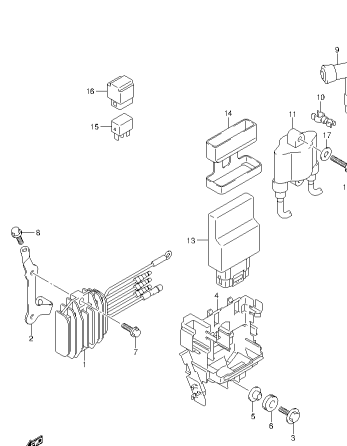
DF20A_F01_013_068
MAGNETO

FIG.69

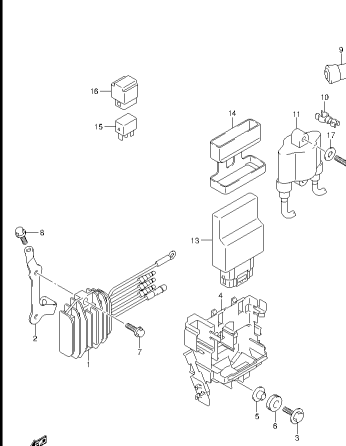
DF20A_F01_013_069
MAGNETO

FIG.70

DF20A_F01_013_070
RECTIFIER/IGNITION COIL

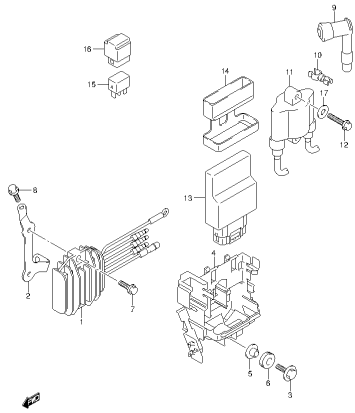
FIG.71

DF20A_F01_013_071
RECTIFIER/IGNITION COIL

FIG.72

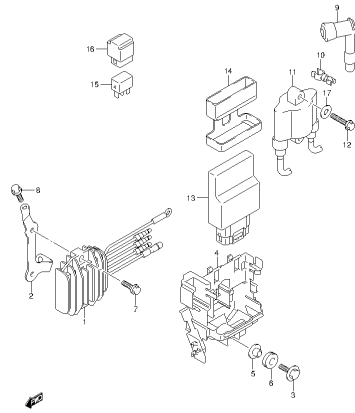
DF20A_F01_013_072
RECTIFIER/IGNITION COIL

FIG.73



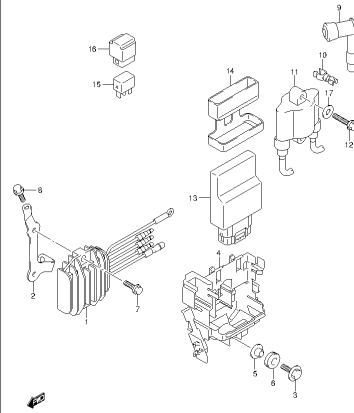
DF20A_F01_013_073
RECTIFIER IGNITION COIL

FIG.74



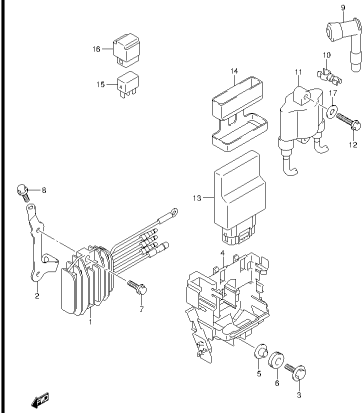
DF20A_F01_013_074
RECTIFIER IGNITION COIL

FIG.75



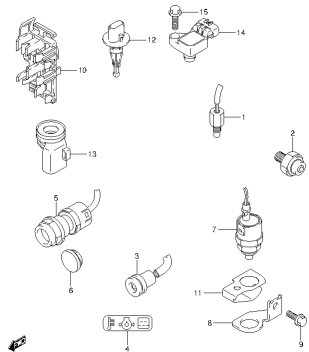
DF20A_F01_013_075
RECTIFIER IGNITION COIL

FIG.76



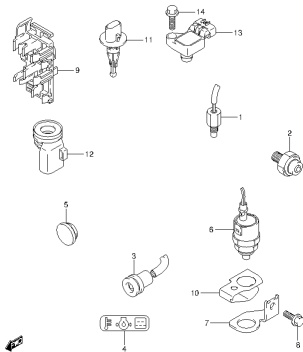
DF20A_F01_013_076
RECTIFIER IGNITION COIL

FIG.77



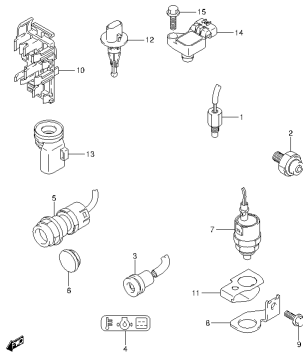
DF20A_F01_013_077
SENSOR SWITCH

FIG.78



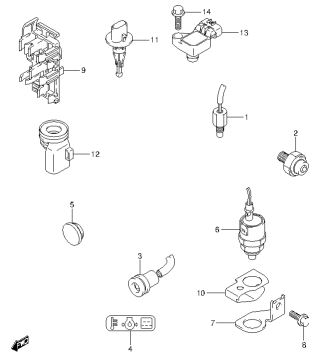
DF20A_F01_013_078
SENSOR SWITCH

FIG.79



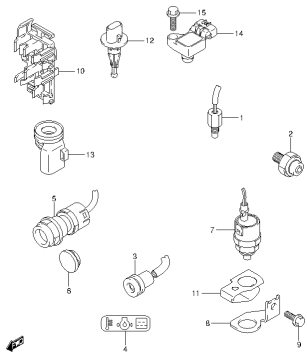
DF20A_F01_013_079
SENSOR SWITCH

FIG.80



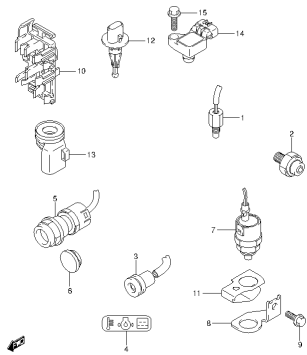
DF20A_F01_013_080
SENSOR SWITCH

FIG.81



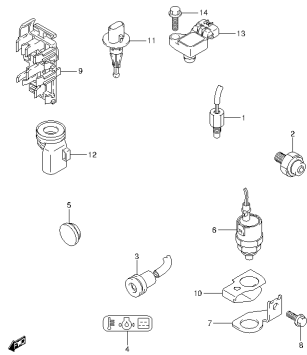
DF20A_F01_013_081
SENSOR/SWITCH

FIG.82



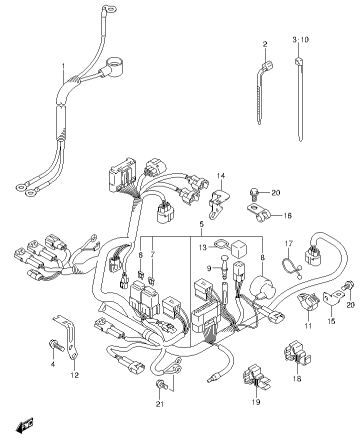
DF20A_F01_013_082
SENSOR/SWITCH

FIG.83



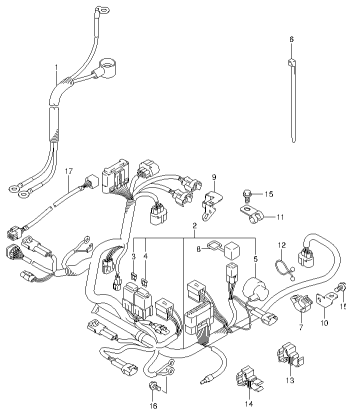
DF20A_F01_013_083
SENSOR/SWITCH

FIG.84



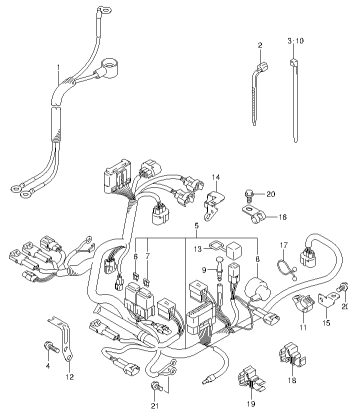
DF20A_F01_013_084
HARNESS

FIG.85



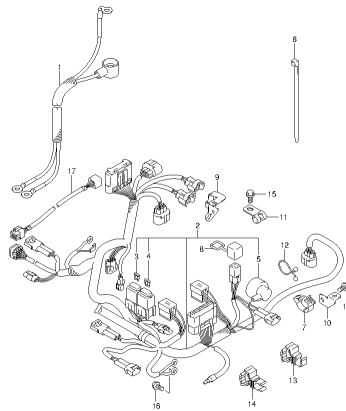
DF20A_F01_013_085
HARNESS

FIG.86



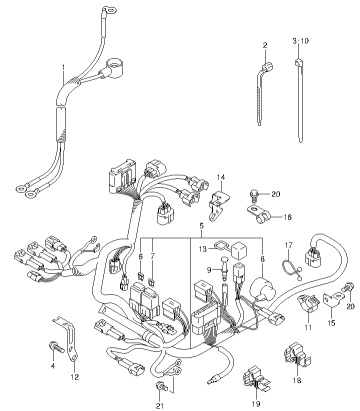
DF20A_F01_013_086
HARNESS

FIG.87



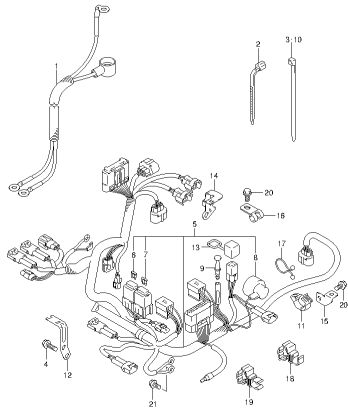
DF20A_F01_013_087
HARNESS

FIG.88



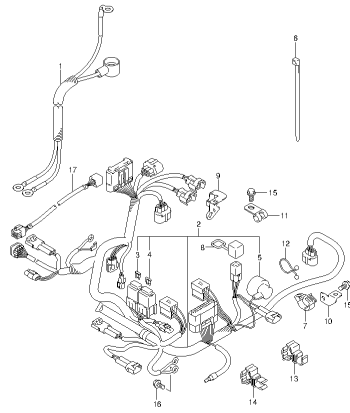
DF20A_F01_013_088
HARNESS

FIG.89



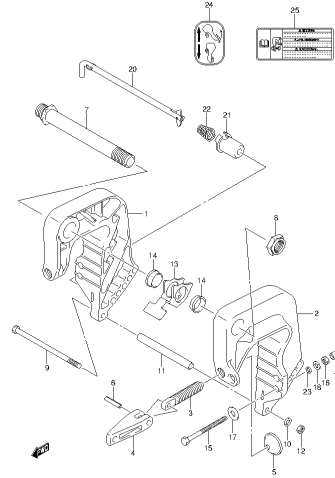
DF20A_F01_013_089
HARNES

FIG.90



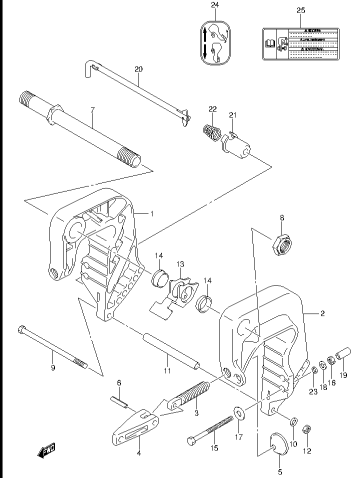
DF20A_F01_013_090
HARNES

FIG.91



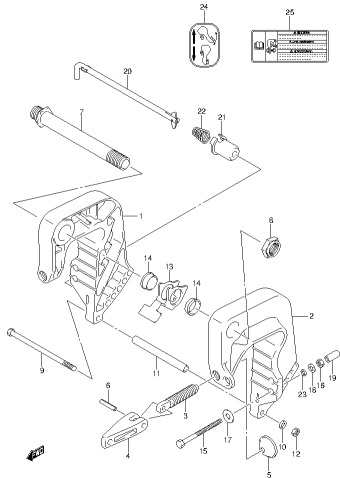
DF20A_F01_013_091
CLAMP BRACKET

FIG.92



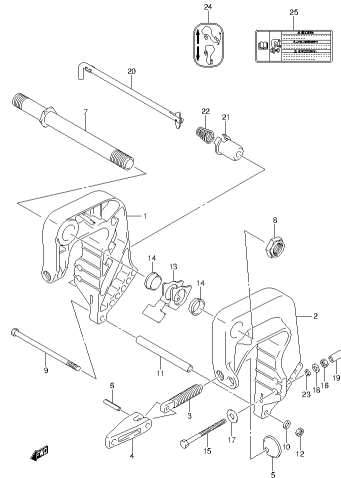
DF20A_F01_013_092
CLAMP BRACKET

FIG.93



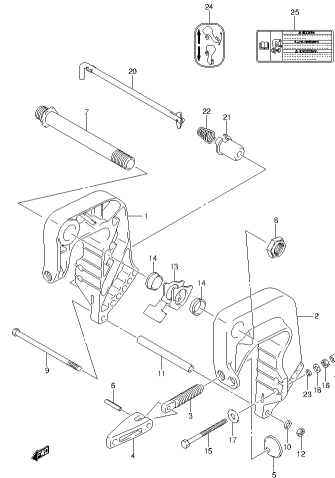
DF20A_F01_013_093
CLAMP BRACKET

FIG.94



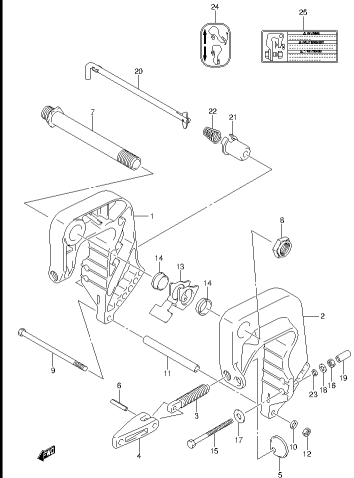
DF20A_F01_013_094
CLAMP BRACKET

FIG.95



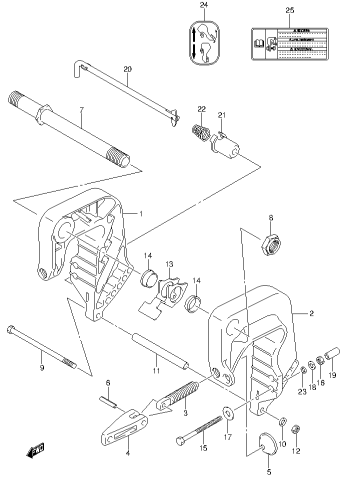
DF20A_F01_013_095
CLAMP BRACKET

FIG.96



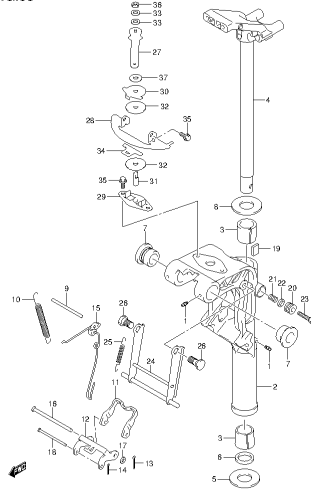
DF20A_F01_013_096
CLAMP BRACKET

FIG.97



DF20A_F01_013_097
CLAMP BRACKET

FIG.98



DF20A_F01_013_098
SWIVEL BRACKET

FIG.99

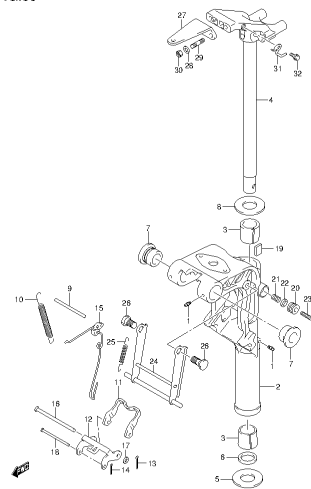
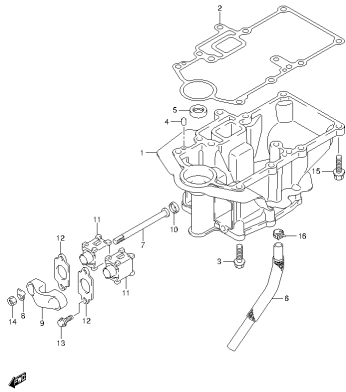
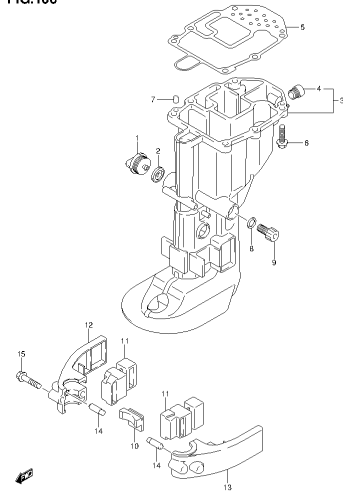


FIG.105



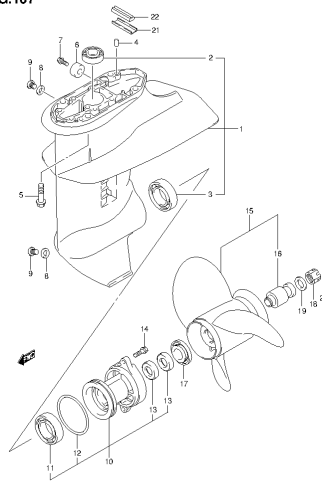
DF20A_F01_013_105
ENGINE HOLDER

FIG.106



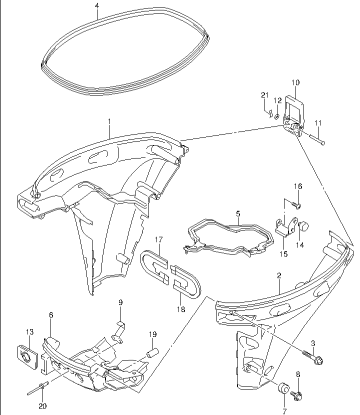
DF20A_F01_013_106
DRIVE SHAFT HOUSING

FIG.107



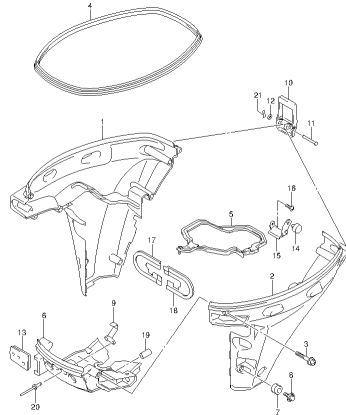
DF20A_F01_013_107
GEAR CASE

FIG.108



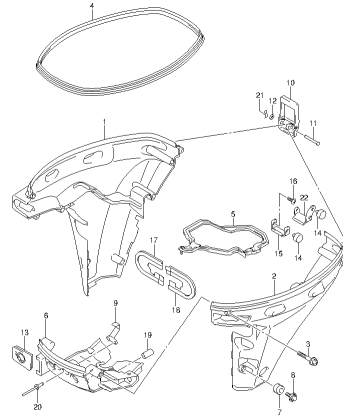
DF20A_F01_013_108
SIDE COVER

FIG.109



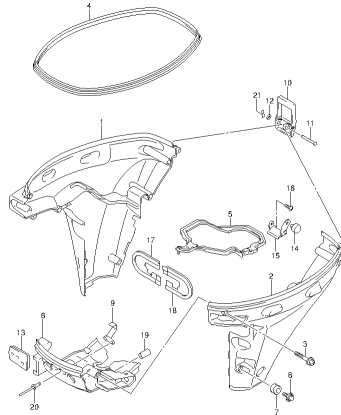
DF20A_F01_013_109
SIDE COVER

FIG.110



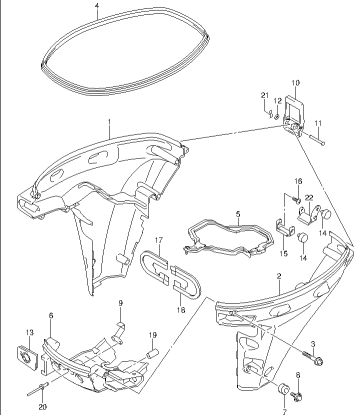
DF20A_F01_013_110
SIDE COVER

FIG.111



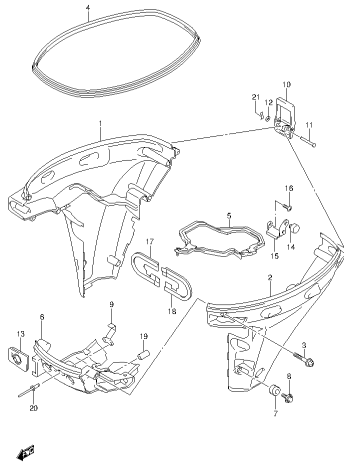
DF20A_F01_013_111
SIDE COVER

FIG.112



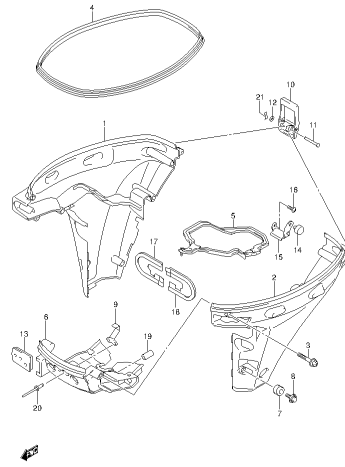
DF20A_F01_013_112
SIDE COVER

FIG.113



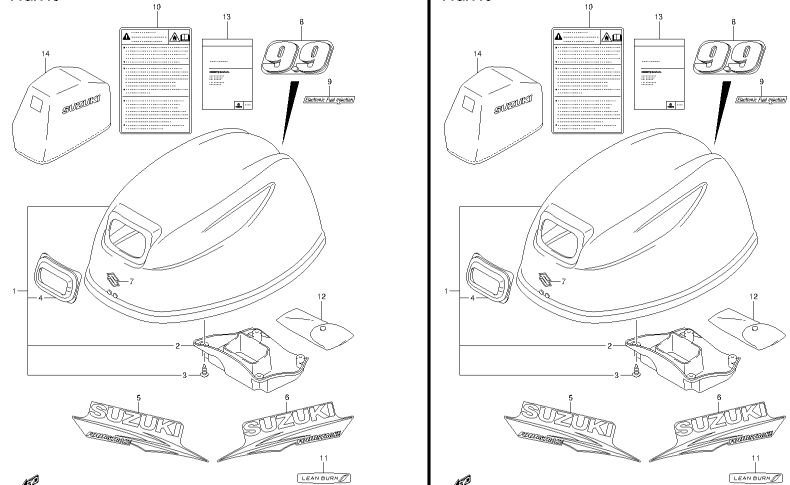
DF20A_F01_013_113
SIDE COVER

FIG.114



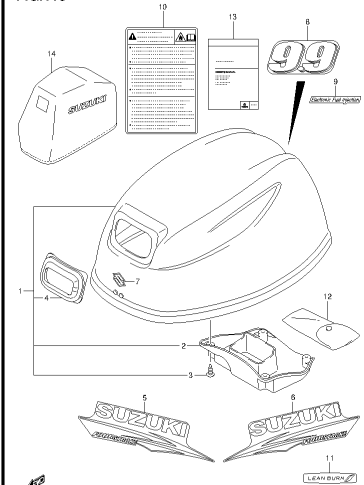
DF20A_F01_013_114
SIDE COVER

FIG.115



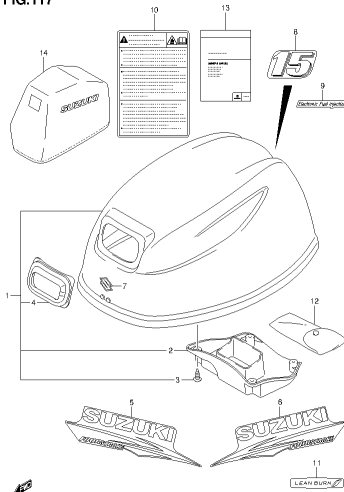
DF20A_F01_013_115
ENGINE COVER

FIG.116



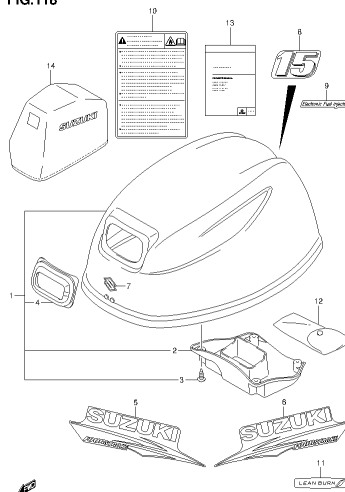
DF20A_F01_013_116
ENGINE COVER

FIG.117



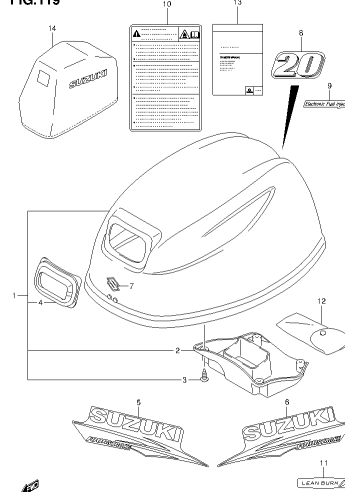
DF20A_F01_013_117
ENGINE COVER

FIG.118



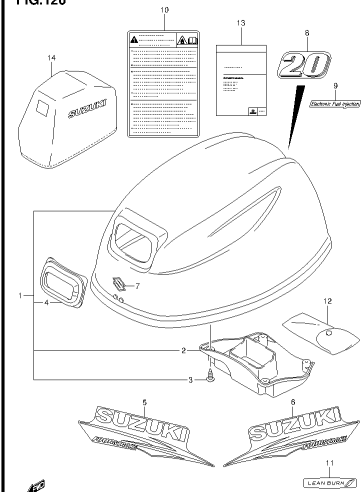
DF20A_F01_013_118
ENGINE COVER

FIG.119

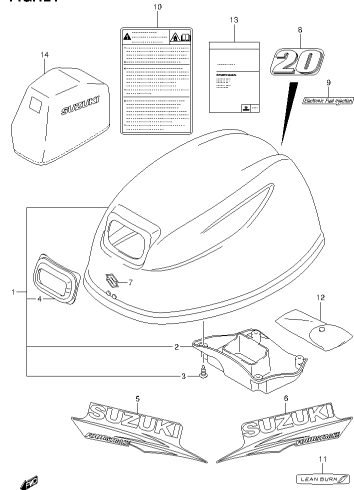


DF20A_F01_013_119
ENGINE COVER

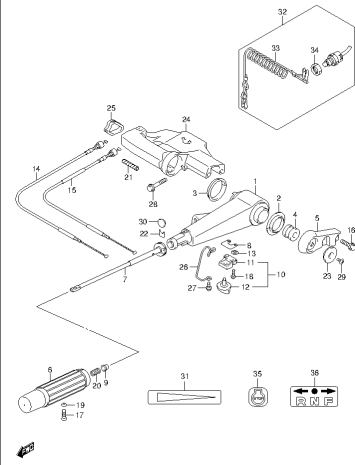
FIG.120



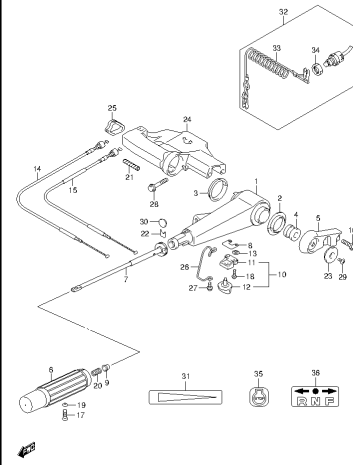
DF20A_F01_013_120
ENGINE COVER

FIG.121

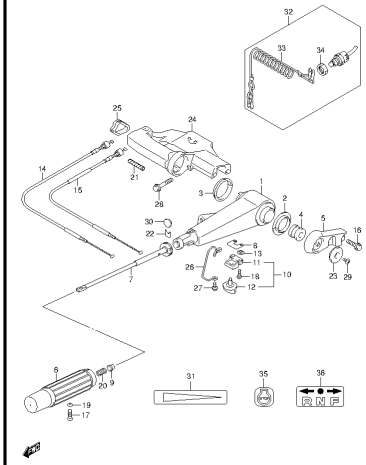
DF20A_F01_013_121
ENGINE COVER

FIG.122

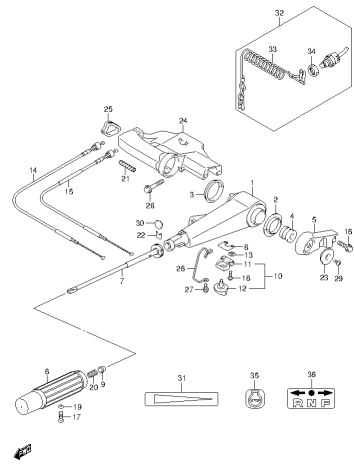
DF20A_F01_013_122
TILLER HANDLE

FIG.123

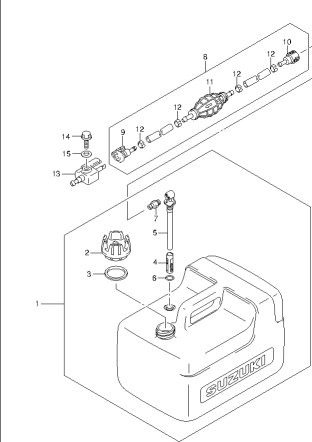
DF20A_F01_013_123
TILLER HANDLE

FIG.124

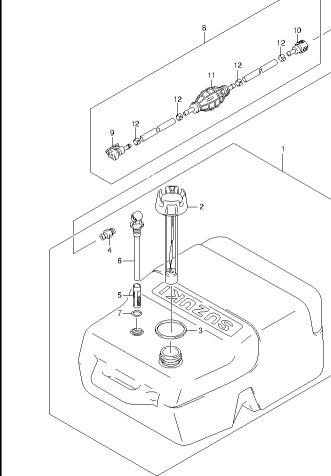
DF20A_F01_013_124
TILLER HANDLE

FIG.125

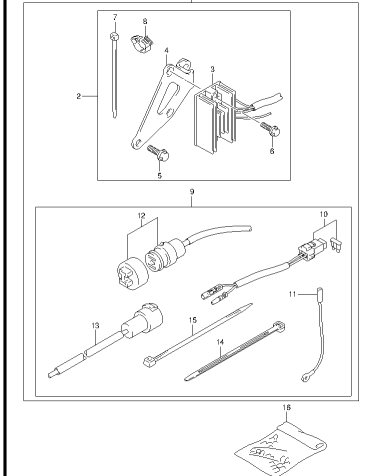
DF20A_F01_013_125
TILLER HANDLE

FIG.126

DF20A_F01_013_126
FUEL TANK

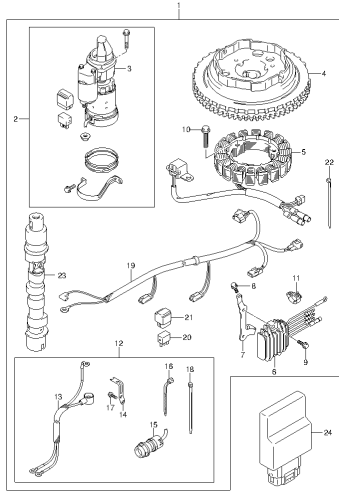
FIG.127

DF20A_F01_013_127
OPT.FUEL TANK (RESIN 25L)

FIG.128

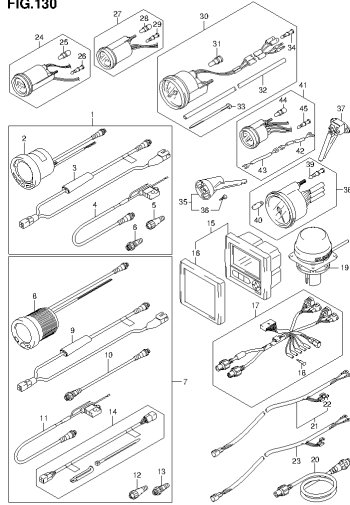
DF20A_F01_013_128
OPT.ELECTRICAL (MANUAL STARTER)

FIG.129



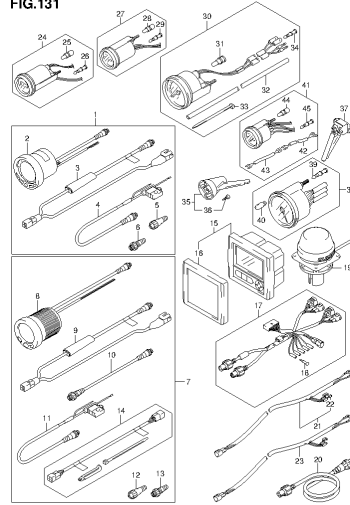
DF20A_F01_013_129
OPT STARTING MOTOR (MANUAL STARTER)

FIG.130



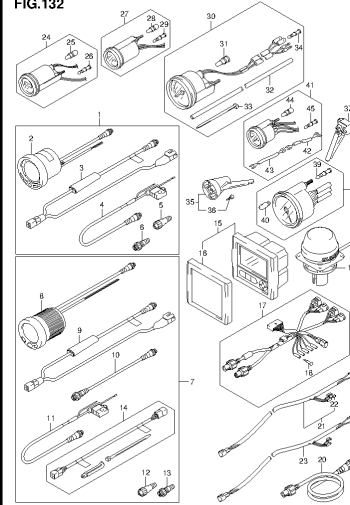
DF20A_F01_013_130
OPTI-METER

FIG.131



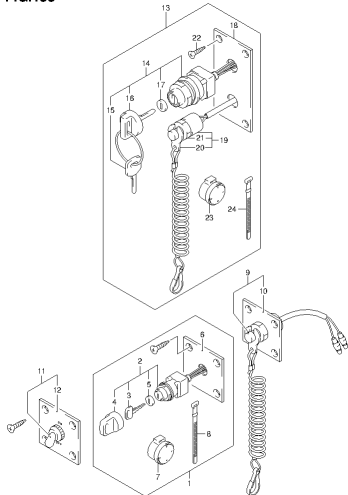
DF20A_F01_013_131
OPTI-METER

FIG.132



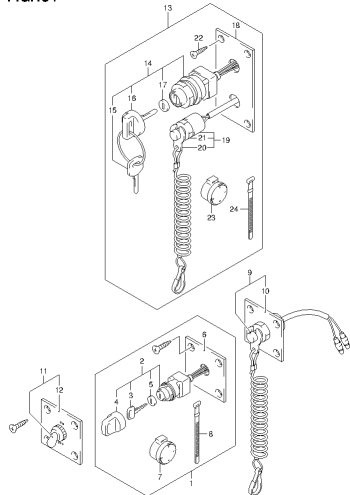
DF20A_F01_013_132
OPTI-METER

FIG.133



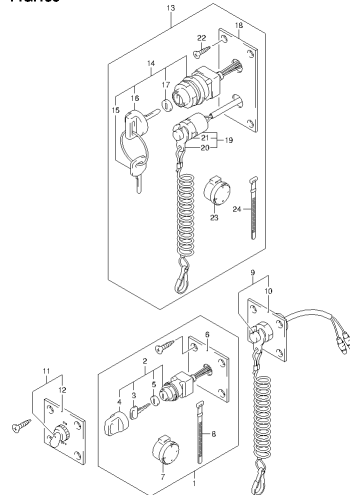
DF20A_F01_013_133
OPTI-SWITCH

FIG.134



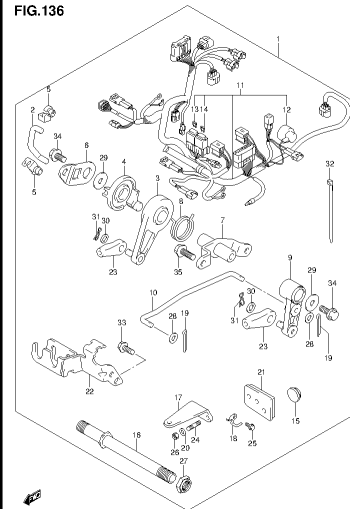
DF20A_F01_013_134
OPTI-SWITCH

FIG.135



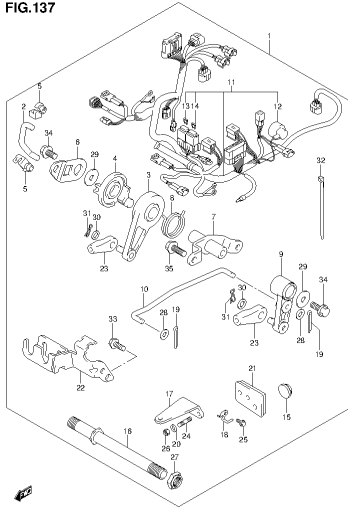
DF20A_F01_013_135
OPTI-SWITCH

FIG.136



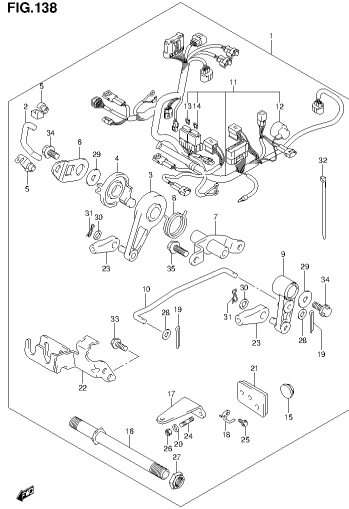
DF20A_F01_013_136
OPTI-REMOTE CONTROL PARTS

FIG.137



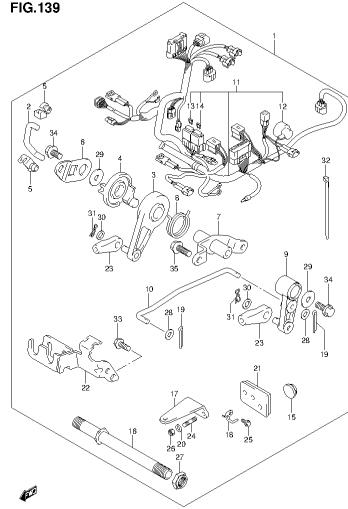
DF20A_F01_013_137
OPT.REMOTE CONTROL PARTS

FIG.138



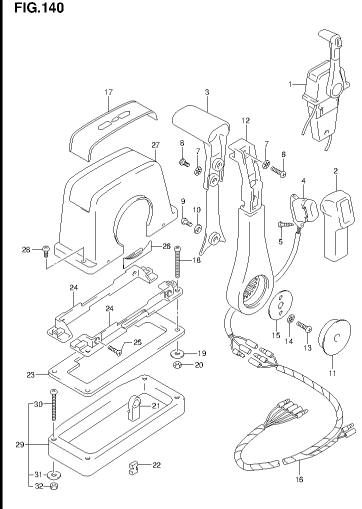
DF20A_F01_013_138
OPT.REMOTE CONTROL PARTS

FIG.139



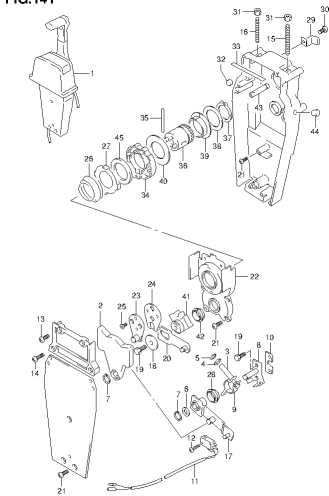
DF20A_F01_013_139
OPT.REMOTE CONTROL PARTS

FIG.140



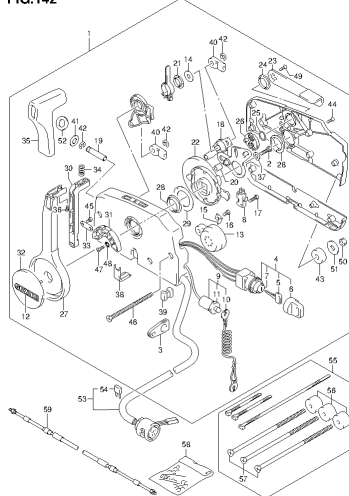
DF20A_F01_013_140
OPT.REMOTE CONTROL ASSY SINGLE (1)

FIG.141



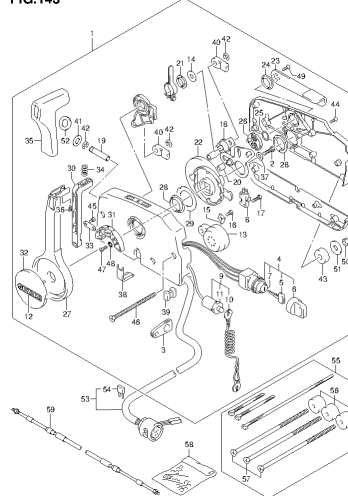
DF20A_F01_013_141
OPT.REMOTE CONTROL ASSY SINGLE (2)

FIG.142



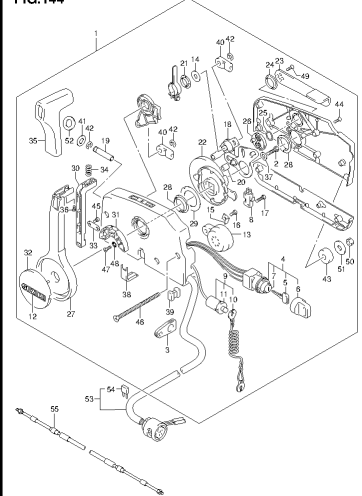
DF20A_F01_013_142
OPT.REMOTE CONTROL

FIG.143



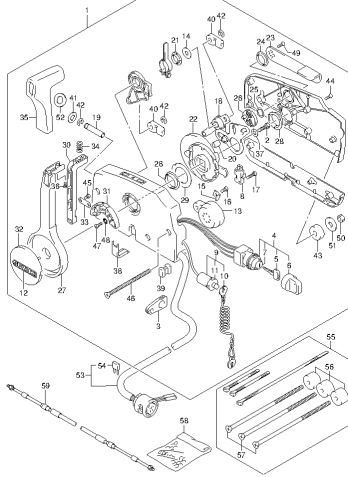
DF20A_F01_013_143
OPT.REMOTE CONTROL

FIG.144



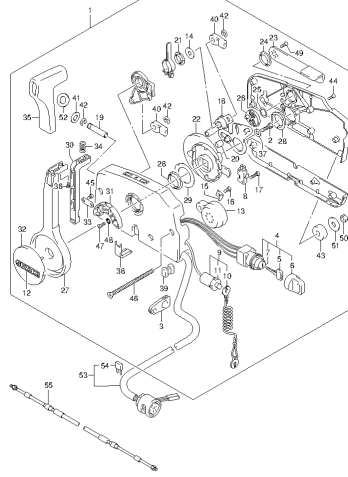
DF20A_F01_013_144
OPT.REMOTE CONTROL

FIG.145



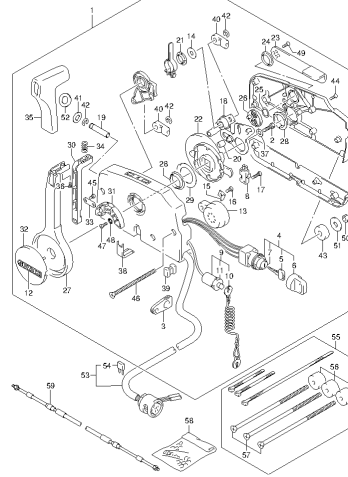
DF20A_F01_013_145
OPT.REMOTE CONTROL

FIG.146



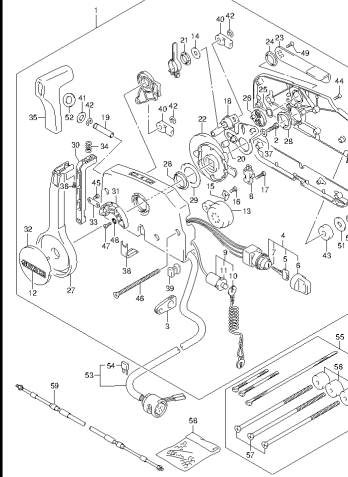
DF20A_F01_013_146
OPT.REMOTE CONTROL

FIG.147



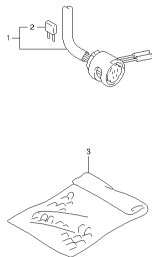
DF20A_F01_013_147
OPT.REMOTE CONTROL

FIG.148



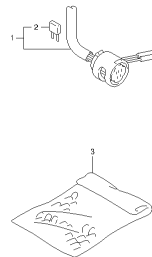
DF20A_F01_013_148
OPT.REMOTE CONTROL

FIG.149



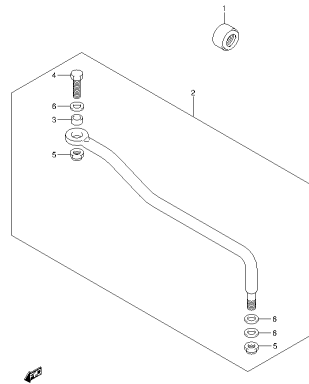
DF20A_F01_013_149
OPT.REMOCN CABLE (ELECTRIC STARTER)

FIG.150



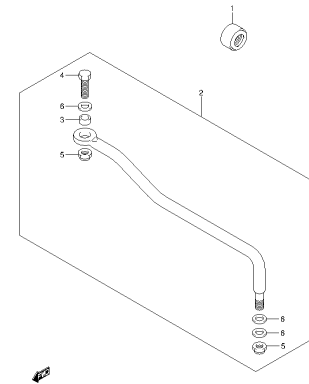
DF20A_F01_013_150
OPT.REMOCN CABLE (ELECTRIC STARTER)

FIG.151



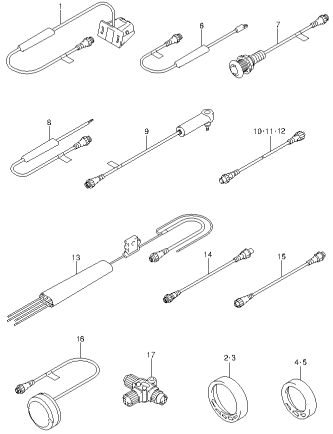
DF20A_F01_013_151
OPT.DRAG LINK

FIG.152



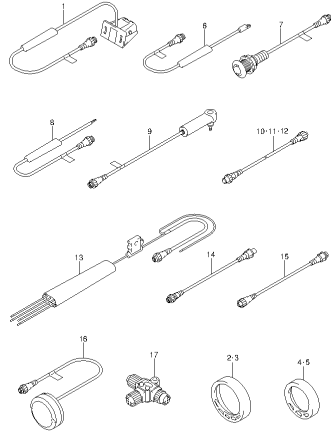
DF20A_F01_013_152
OPT.DRAG LINK

FIG.153



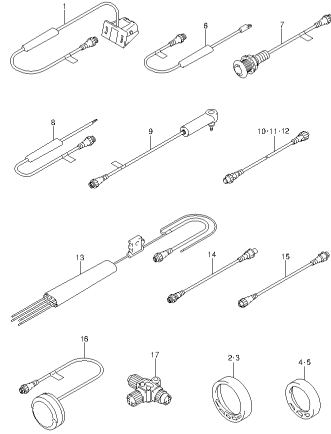
DF20A_F90_013_153
DIFFUSOR GAUGE

FIG.154



DF20A_F90_013_154
DIFFUSOR GAUGE

FIG.155



DF20A_F90_013_155
DIFFUSOR GAUGE

FIG.1

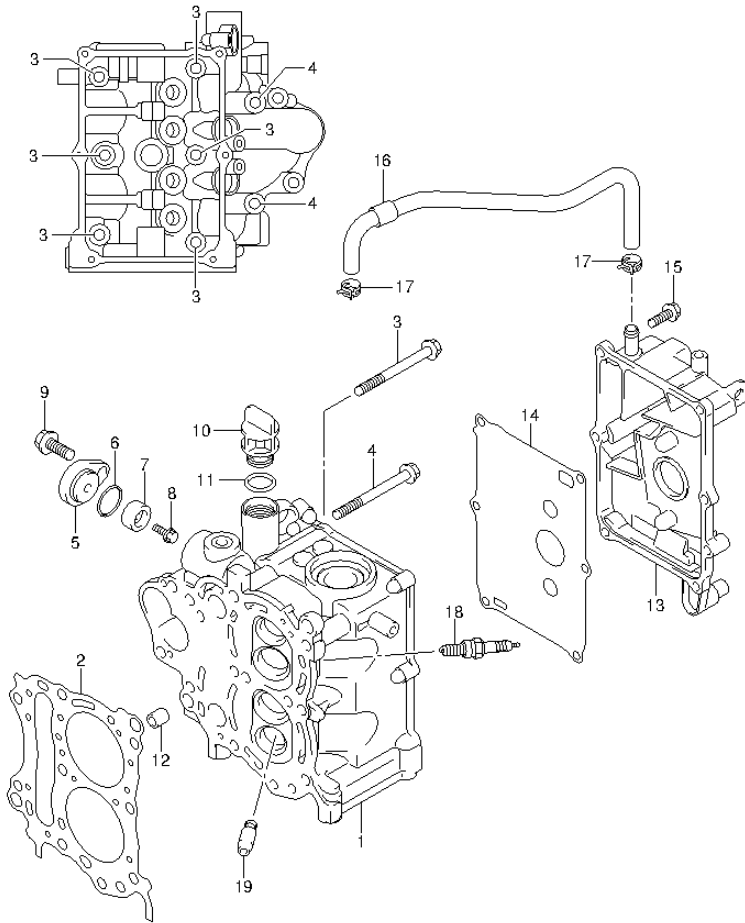


FIG.1 (1-B-2) CYLINDER HEAD

REF NO.	PART NO.	DESCRIPTION	Q'TY	REMARKS
1-1	11110-89L00	HEAD, CYLINDER	1	UP TO VIN.312386 FOR DF15A UP TO VIN.312386 FOR DF15AR UP TO VIN.312652 FOR DF20A UP TO VIN.312652 FOR DF20AR
1-2	11110-89L01	HEAD, CYLINDER	1	FOR DF9.9B FOR DF9.9BR FROM VIN.312387 FOR DF15A FROM VIN.312387 FOR DF15AR FROM VIN.312653 FOR DF20A FROM VIN.312653 FOR DF20AR
2	11141-89L00	GASKET, CYLINDER HEAD	1	
3	09119-08L02	BOLT (8X72)	6	
4	09119-08L01	BOLT (8X77)	2	
5	11261-93J00	COVER, PROTECTION ANODE	1	
6	09280-22019	O RING (D:1.9,ID:21.8)	1	
7	55321-87J00	ANODE, PROTECTION	1	
8	09103-06281	BOLT (6X14)	1	
9	01550-08207	BOLT	1	
10	11382-93E00	CAP, OIL FILLER	1	
11	09280-17003	O RING (D:3.1,ID:16.8)	1	
12	04211-11129	PIN	2	
13	11170-89L00	COVER, CYLINDER HEAD	1	
14	11162-89L00	GASKET, CYLINDER HEAD COVER	1	
15	01550-06207	BOLT	6	
16	11174-89L00	HOSE, BREATHER	1	
17	09401-12413	CLIP	2	
18	09482-00L04	SPARK PLUG (NGK, CPR6EA-9)	2	
19	11115-93E00-001	GUIDE, VALVE (OS:0.3)	4	OPT

FIG.2

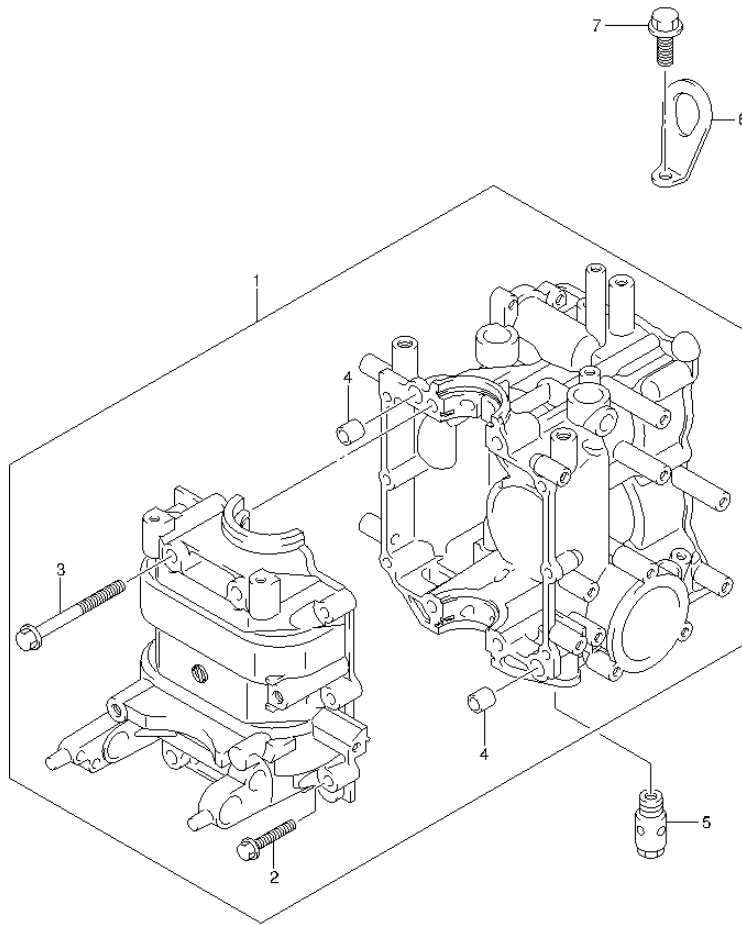


FIG.2 (1-B-3) CYLINDER BLOCK

REF NO.	PART NO.	DESCRIPTION	Q'TY	REMARKS
1	11300-89L00	BLOCK ASSY, CYLINDER	1	
2	01550-06357	.BOLT	6	
3	01560-08757	.BOLT	4	
4	04211-11129	.PIN	2	
5	16440-11D00	REGULATOR ASSY, ENGINE	1	
6	11291-91B50	HOOK, ENGINE	1	OPT
7	01550-08207	BOLT	1	OPT



FIG.3

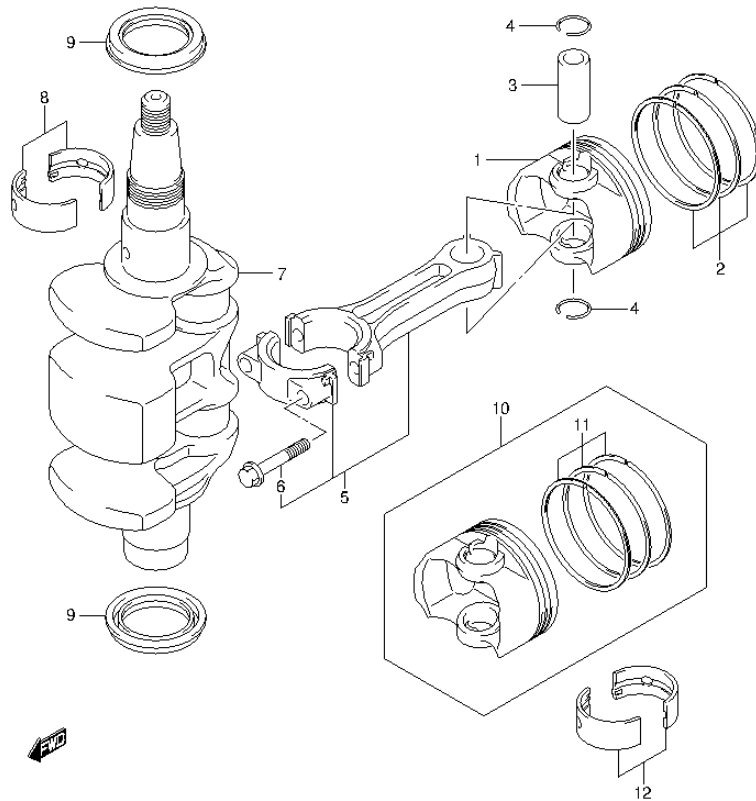


FIG.3 (1-B-4) CRANKSHAFT

REF NO.	PART NO.	DESCRIPTION	Q'TY	REMARKS
1	12111-89L00-0B0	PISTON	2	
2	12140-89L00	RING SET, PISTON	2	
3	12151-89L00	PIN, PISTON	2	
4	09381-16001	CIRCLIP	4	
5	12160-89L00	CONNROD ASSY	2	
6	12163-89L00	.BOLT, CONNROD	4	
7	12220-89L00	CRANKSHAFT	1	
8	12229-33C00-0A0	BEARING, CRANKSHAFT	4	
9	09283-32039	OIL SEAL (32X44X6.5)	2	
10	12100-89L00-050	PISTON SET (OS:0.50)	2	OPT
11	12140-89L00-050	.RING SET, PISTON	2	OPT
12	12229-33C00-0D0	BEARING, CRANKSHAFT	4	OPT

FIG.4

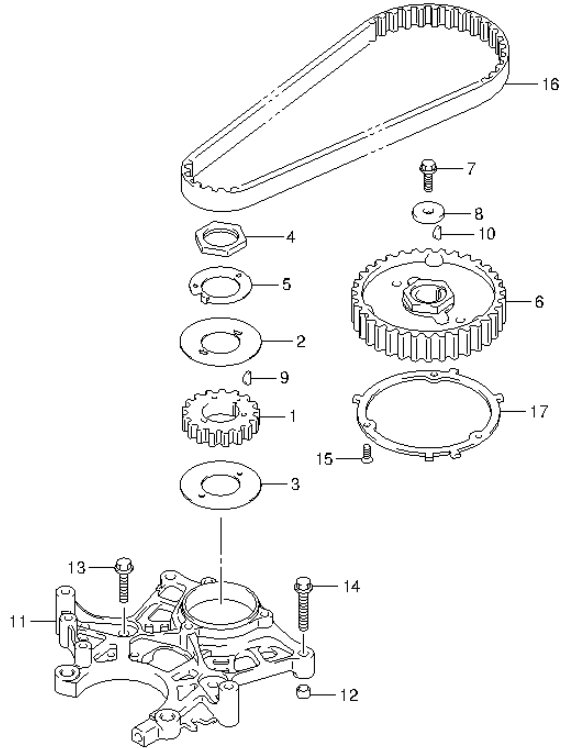


FIG.4 (1-B-5) TIMING BELT

REF NO.	PART NO.	DESCRIPTION	Q'TY	REMARKS
1	12631-89L10	PULLEY, CRANKSHAFT (NT:17)	1	
2	12635-89L00	GUIDE, TIMING BELT	1	
3	12636-89L00	GUIDE, TIMING BELT (LOWER)	1	
4	12637-89L00	NUT, TIMING PULLEY	1	
5	12638-89L00	WASHER, PULLEY NUT LOCK	1	
6	12741-89L00	PULLEY, CAMSHAFT (NT:34)	1	
7	09103-06267	BOLT (6X18)	1	
8	09160-06160	WASHER (6.5X24X4)	1	
9	08341-31039	KEY	1	
10	08341-31039	KEY	1	
11	12625-89L00	BASE, STATOR	1	
12	04211-09149	PIN	2	
13	01550-06257	BOLT	2	
14	01550-06357	BOLT	2	
15	02122-04127	SCREW	3	
16	12761-93E0	BELT, TIMING	1	
17	12744-89L00	PLATE, SENSING	1	



FIG.5

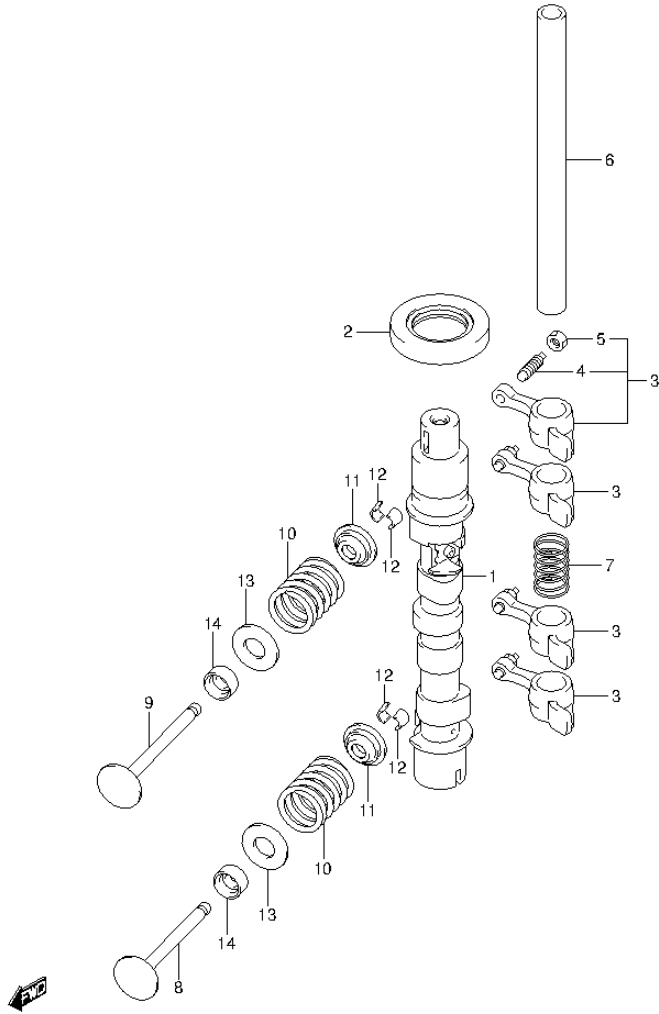


FIG.5 (1-B-6) CAMSHAFT (DF9.9B P01)

REF NO.	PART NO.	DESCRIPTION	Q'TY	REMARKS
1-1	12700-89L00	CAMSHAFT ASSY	1	W/MANUAL STARTER
1-2	12700-89L20	CAMSHAFT ASSY	1	W/ELECTRIC STARTER
2	09283-25096	OIL SEAL (25X44X7)	1	
3	12840-89L00	ARM, ROCKER	4	
4	12842-49201	.SCREW, TAPPET ADJUSTING	4	
5	12843-27A00	.NUT, TAPPET ADJUSTING	4	
6	12861-89L00	SHAFT, ROCKER ARM	1	
7	12891-94J00	SPRING, ROCKER SHAFT	1	
8	12911-93E00	VALVE, INTAKE	2	
9	12915-93E00	VALVE, EXHAUST	2	
10	12921-89L00	SPRING, VALVE	4	
11	12931-78G00	RETAINER, VALVE SPRING	4	
12	12932-24400	COTTER, VALVE	8	
13	12933-71C00	SEAT, VALVE SPRING	4	
14	09289-05012	OIL SEAL (5.5X11.5X9.3)	4	

FIG.6

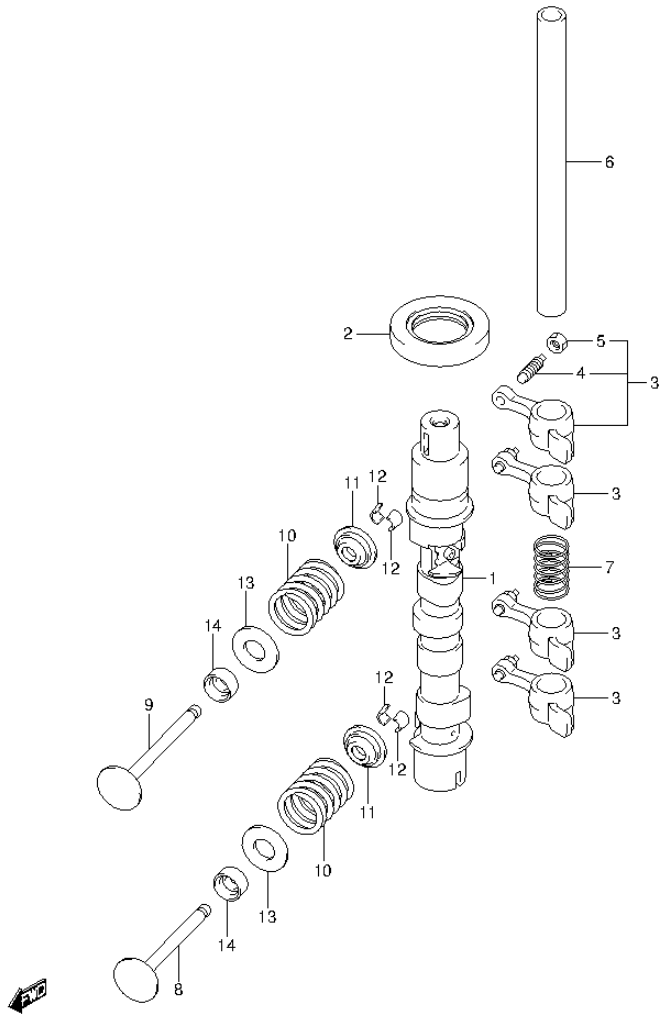


FIG.6 (1-B-7) CAMSHAFT (DF9.9BR P01)

REF NO.	PART NO.	DESCRIPTION	Q'TY	REMARKS
1	12700-89L20	CAMSHAFT ASSY	1	
2	09283-25096	OIL SEAL (25X44X7)	1	
3	12840-89L00	ARM, ROCKER	4	
4	12842-49201	.SCREW, TAPPET ADJUSTING	4	
5	12843-27A00	.NUT, TAPPET ADJUSTING	4	
6	12861-89L00	SHAFT, ROCKER ARM	1	
7	12891-94J00	SPRING, ROCKER SHAFT	1	
8	12911-93E00	VALVE, INTAKE	2	
9	12915-93E00	VALVE, EXHAUST	2	
10	12921-89L00	SPRING, VALVE	4	
11	12931-78G00	RETAINER, VALVE SPRING	4	
12	12932-24400	COTTER, VALVE	8	
13	12933-71C00	SEAT, VALVE SPRING	4	
14	09289-05012	OIL SEAL (5.5X11.5X9.3)	4	

FIG.7

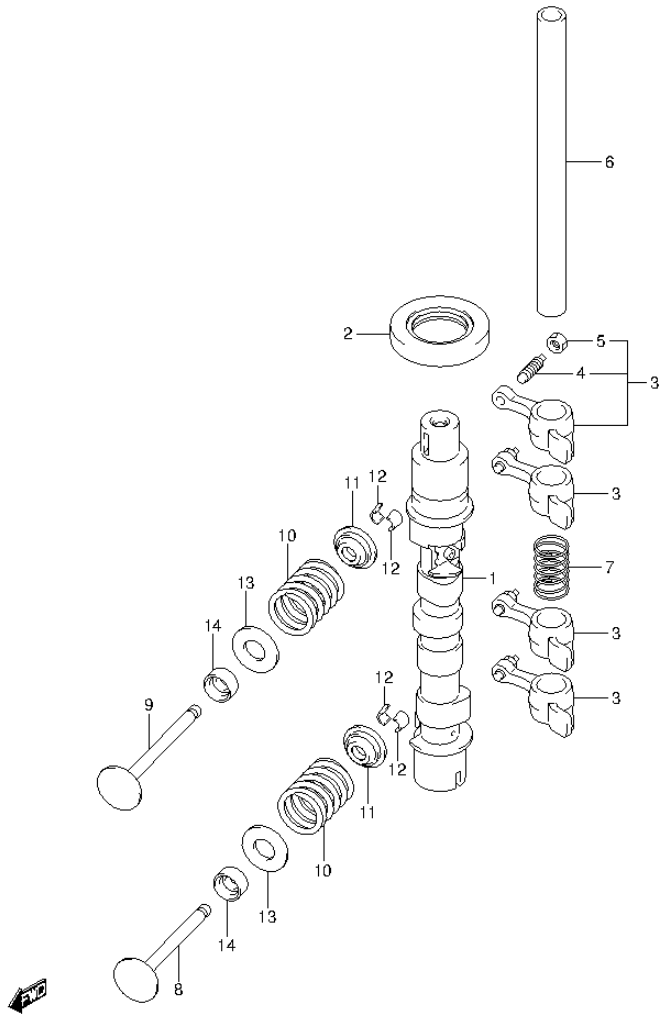


FIG.7 (1-B-8) CAMSHAFT (DF15A P01)

REF NO.	PART NO.	DESCRIPTION	Q'TY	REMARKS
1-1	12700-89L00	CAMSHAFT ASSY	1	W/MANUAL STARTER
1-2	12700-89L20	CAMSHAFT ASSY	1	W/ELECTRIC STARTER
2	09283-25096	OIL SEAL (25X44X7)	1	
3	12840-89L00	ARM, ROCKER	4	
4	12842-49201	.SCREW, TAPPET ADJUSTING	4	
5	12843-27A00	.NUT, TAPPET ADJUSTING	4	
6	12861-89L00	SHAFT, ROCKER ARM	1	
7	12891-94J00	SPRING, ROCKER SHAFT	1	
8	12911-93E00	VALVE, INTAKE	2	
9	12915-93E00	VALVE, EXHAUST	2	
10	12921-89L00	SPRING, VALVE	4	
11	12931-78G00	RETAINER, VALVE SPRING	4	
12	12932-24400	COTTER, VALVE	8	
13	12933-71C00	SEAT, VALVE SPRING	4	
14	09289-05012	OIL SEAL (5.5X11.5X9.3)	4	

FIG.8

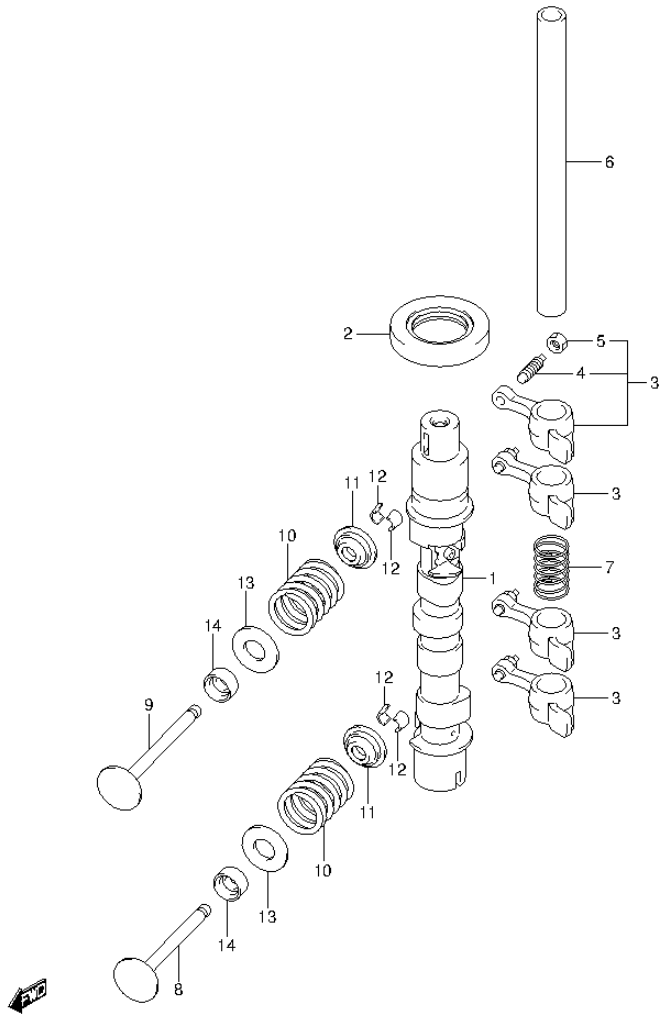


FIG.8 (1-B-9) CAMSHAFT (DF15AR P01)

REF NO.	PART NO.	DESCRIPTION	Q'TY	REMARKS
1	12700-89L20	CAMSHAFT ASSY	1	
2	09283-25096	OIL SEAL (25X44X7)	1	
3	12840-89L00	ARM, ROCKER	4	
4	12842-49201	.SCREW, TAPPET ADJUSTING	4	
5	12843-27A00	.NUT, TAPPET ADJUSTING	4	
6	12861-89L00	SHAFT, ROCKER ARM	1	
7	12891-94J00	SPRING, ROCKER SHAFT	1	
8	12911-93E00	VALVE, INTAKE	2	
9	12915-93E00	VALVE, EXHAUST	2	
10	12921-89L00	SPRING, VALVE	4	
11	12931-78G00	RETAINER, VALVE SPRING	4	
12	12932-24400	COTTER, VALVE	8	
13	12933-71C00	SEAT, VALVE SPRING	4	
14	09289-05012	OIL SEAL (5.5X11.5X9.3)	4	

FIG.9

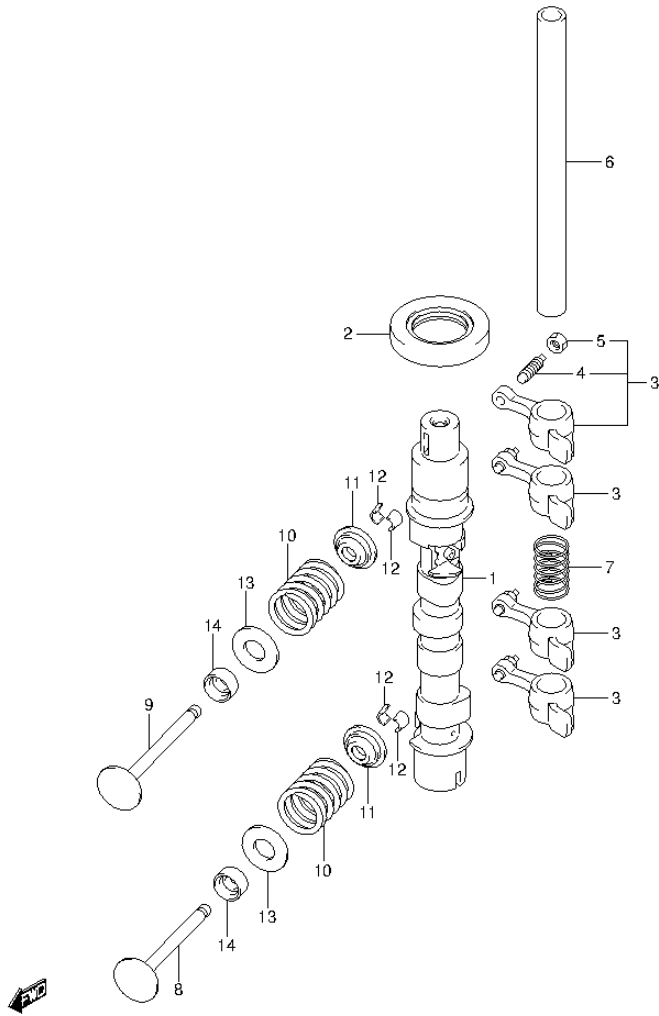


FIG.9 (1-B-10) CAMSHAFT (DF20A P01)

REF NO.	PART NO.	DESCRIPTION	Q'TY	REMARKS
1-1	12700-89L00	CAMSHAFT ASSY	1	W/MANUAL STARTER
1-2	12700-89L20	CAMSHAFT ASSY	1	W/ELECTRIC STARTER
2	09283-25096	OIL SEAL (25X44X7)	1	
3	12840-89L00	ARM, ROCKER	4	
4	12842-49201	.SCREW, TAPPET ADJUSTING	4	
5	12843-27A00	.NUT, TAPPET ADJUSTING	4	
6	12861-89L00	SHAFT, ROCKER ARM	1	
7	12891-94J00	SPRING, ROCKER SHAFT	1	
8	12911-93E00	VALVE, INTAKE	2	
9	12915-93E00	VALVE, EXHAUST	2	
10	12921-89L00	SPRING, VALVE	4	
11	12931-78G00	RETAINER, VALVE SPRING	4	
12	12932-24400	COTTER, VALVE	8	
13	12933-71C00	SEAT, VALVE SPRING	4	
14	09289-05012	OIL SEAL (5.5X11.5X9.3)	4	

FIG.10

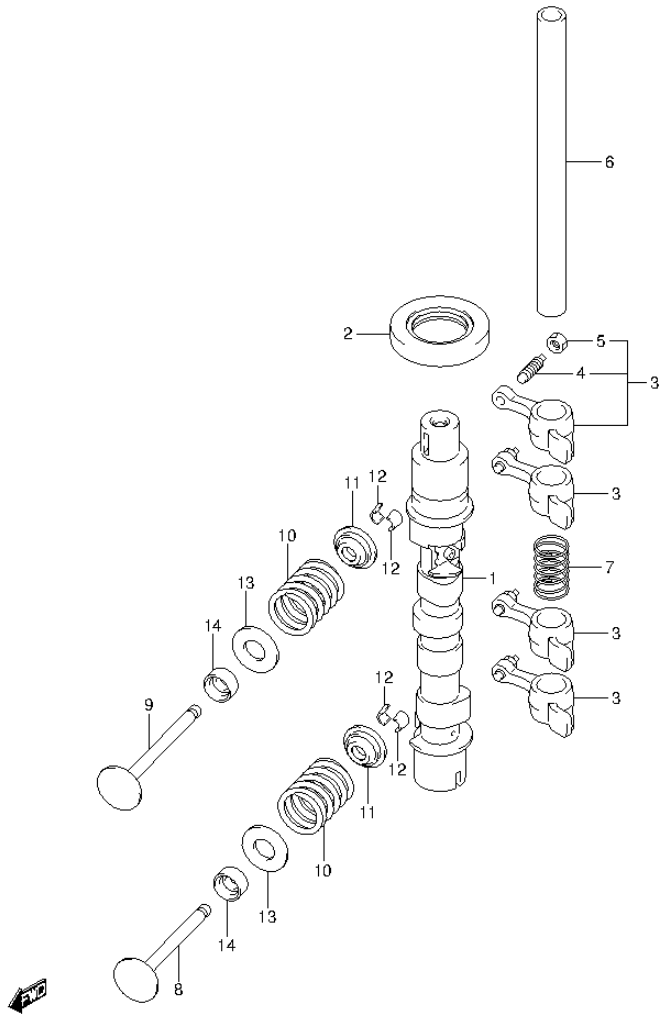


FIG.10 (1-B-11) CAMSHAFT (DF20A P40)

REF NO.	PART NO.	DESCRIPTION	Q'TY	REMARKS
1-1	12700-89L00	CAMSHAFT ASSY	1	W/MANUAL STARTER
1-2	12700-89L20	CAMSHAFT ASSY	1	W/ELECTRIC STARTER
2	09283-25096	OIL SEAL (25X44X7)	1	
3	12840-89L00	ARM, ROCKER	4	
4	12842-49201	.SCREW, TAPPET ADJUSTING	4	
5	12843-27A00	.NUT, TAPPET ADJUSTING	4	
6	12861-89L00	SHAFT, ROCKER ARM	1	
7	12891-94J00	SPRING, ROCKER SHAFT	1	
8	12911-93E00	VALVE, INTAKE	2	
9	12915-93E00	VALVE, EXHAUST	2	
10	12921-89L00	SPRING, VALVE	4	
11	12931-78G00	RETAINER, VALVE SPRING	4	
12	12932-24400	COTTER, VALVE	8	
13	12933-71C00	SEAT, VALVE SPRING	4	
14	09289-05012	OIL SEAL (5.5X11.5X9.3)	4	

FIG.11

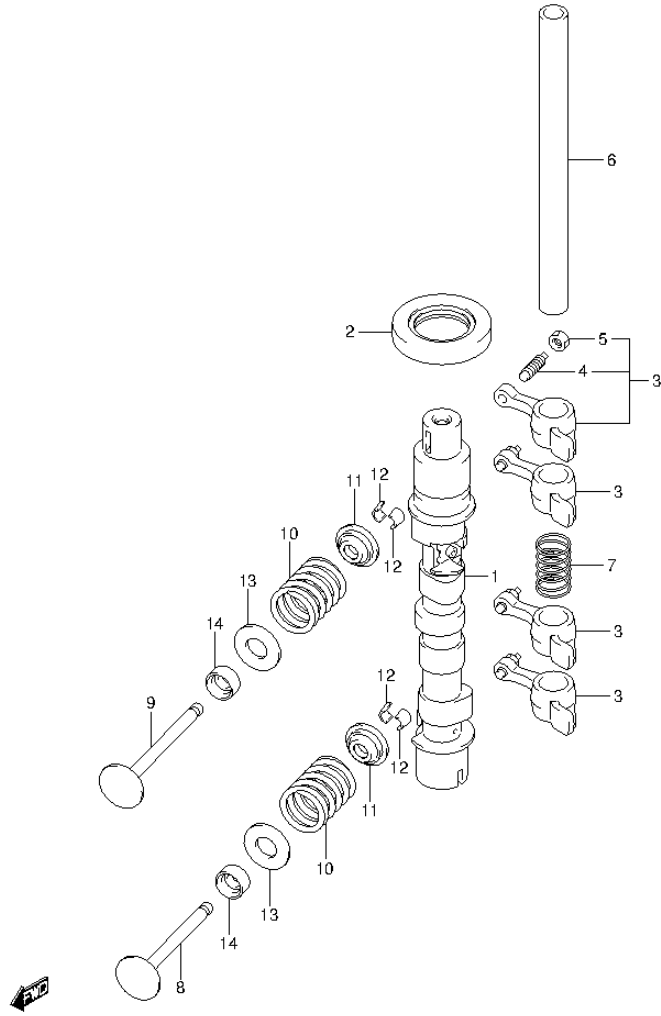


FIG.11 (1-B-12) CAMSHAFT (DF20AR P01)

REF NO.	PART NO.	DESCRIPTION	Q'TY	REMARKS
1	12700-89L20	CAMSHAFT ASSY	1	
2	09283-25096	OIL SEAL (25X44X7)	1	
3	12840-89L00	ARM, ROCKER	4	
4	12842-49201	.SCREW, TAPPET ADJUSTING	4	
5	12843-27A00	.NUT, TAPPET ADJUSTING	4	
6	12861-89L00	SHAFT, ROCKER ARM	1	
7	12891-94J00	SPRING, ROCKER SHAFT	1	
8	12911-93E00	VALVE, INTAKE	2	
9	12915-93E00	VALVE, EXHAUST	2	
10	12921-89L00	SPRING, VALVE	4	
11	12931-78G00	RETAINER, VALVE SPRING	4	
12	12932-24400	COTTER, VALVE	8	
13	12933-71C00	SEAT, VALVE SPRING	4	
14	09289-05012	OIL SEAL (5.5X11.5X9.3)	4	

FIG.12

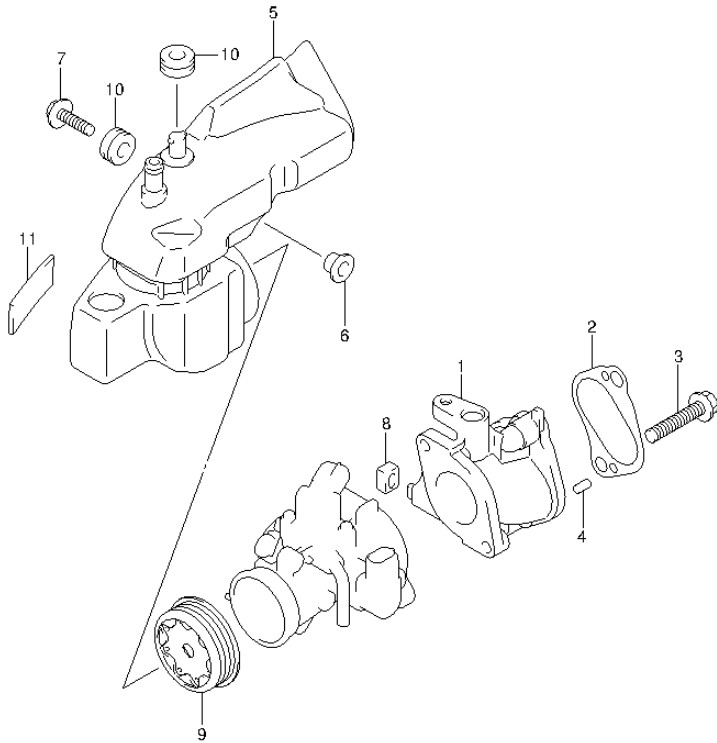


FIG.12 (1-B-13) INLET MANIFOLD (DF9.9B P01)

REF NO.	PART NO.	DESCRIPTION	Q'TY	REMARKS
1	13111-89L00	MANIFOLD, INLET	1	
2	13119-89L00	GASKET, INLET MANIFOLD	1	
3	01550-08407	BOLT	2	
4	04221-05109	PIN	2	
5	13811-89L00	SILENCER	1	
6	09169-06062	WASHER	1	
7	09116-06202	BOLT (6X25)	1	
8	13116-94J00	CAP, INLET MANIFOLD	1	
9	13820-89L10	HOLDER, RESTRICTOR	1	
10	09320-09052	CUSHION	2	
11	13831-89L00	CUSHION, AIR INLET PIPE	1	



FIG.13

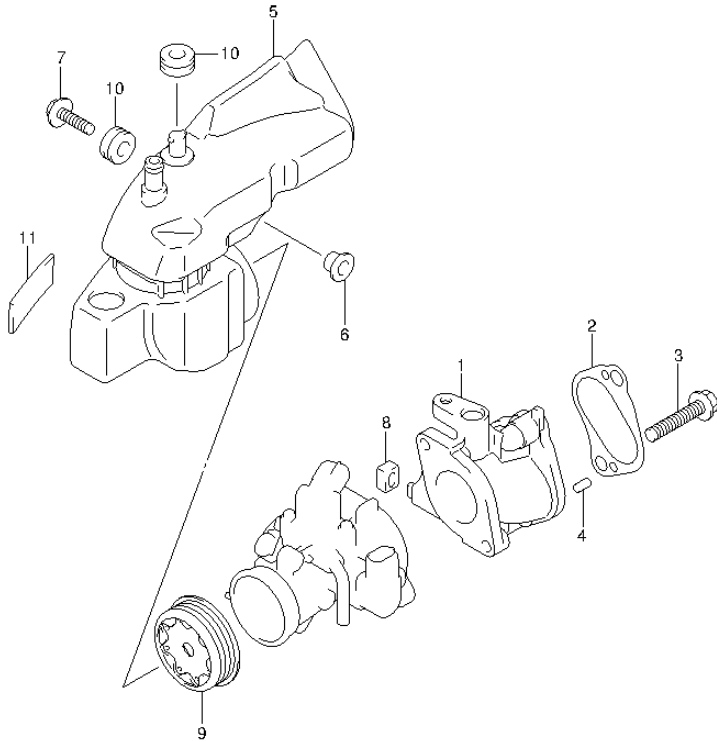


FIG.13 (1-B-14) INLET MANIFOLD (DF9.9BR P01)

REF NO.	PART NO.	DESCRIPTION	Q'TY	REMARKS
1	13111-89L00	MANIFOLD, INLET	1	
2	13119-89L00	GASKET, INLET MANIFOLD	1	
3	01550-08407	BOLT	2	
4	04221-05109	PIN	2	
5	13811-89L00	SILENCER	1	
6	09169-06062	WASHER	1	
7	09116-06202	BOLT (6X25)	1	
8	13116-94J00	CAP, INLET MANIFOLD	1	
9	13820-89L10	HOLDER, RESTRICTOR	1	
10	09320-09052	CUSHION	2	
11	13831-89L00	CUSHION, AIR INLET PIPE	1	



FIG.14

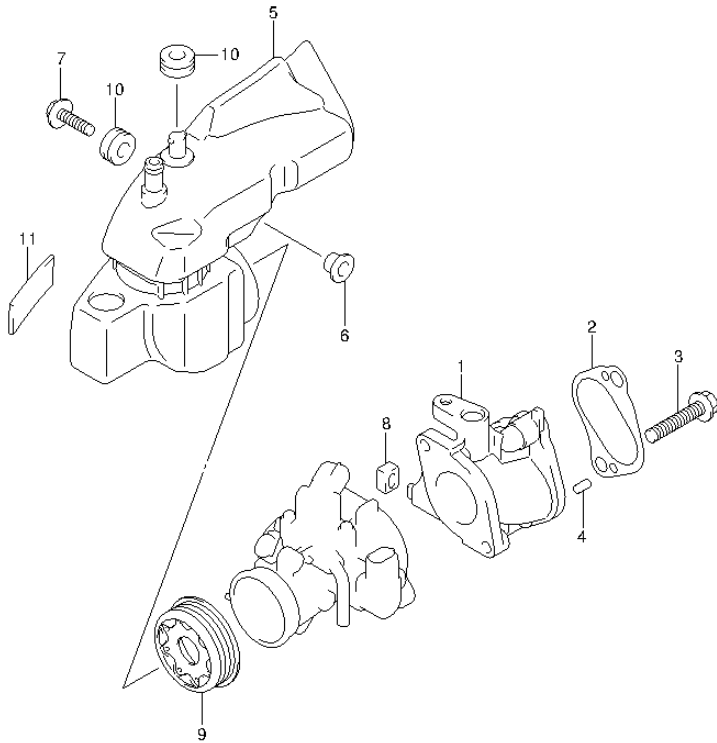


FIG.14 (1-B-15) INLET MANIFOLD (DF15A P01)

REF NO.	PART NO.	DESCRIPTION	Q'TY	REMARKS
1	13111-89L00	MANIFOLD, INLET	1	
2	13119-89L00	GASKET, INLET MANIFOLD	1	
3	01550-08407	BOLT	2	
4	04221-05109	PIN	2	
5	13811-89L00	SILENCER	1	
6	09169-06062	WASHER	1	
7	09116-06202	BOLT (6X25)	1	
8	13116-94J00	CAP, INLET MANIFOLD	1	
9	13820-89L00	HOLDER, RESTRICTOR	1	
10	09320-09052	CUSHION	2	
11	13831-89L00	CUSHION, AIR INLET PIPE	1	



FIG.15

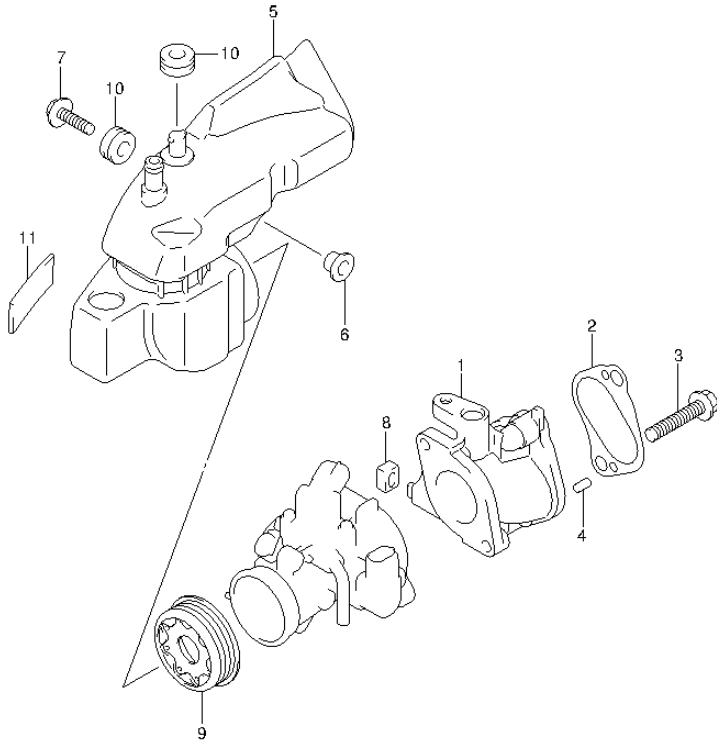


FIG.15 (1-C-2) INLET MANIFOLD (DF15AR P01)

REF NO.	PART NO.	DESCRIPTION	Q'TY	REMARKS
1	13111-89L00	MANIFOLD, INLET	1	
2	13119-89L00	GASKET, INLET MANIFOLD	1	
3	01550-08407	BOLT	2	
4	04221-05109	PIN	2	
5	13811-89L00	SILENCER	1	
6	09169-06062	WASHER	1	
7	09116-06202	BOLT (6X25)	1	
8	13116-94J00	CAP, INLET MANIFOLD	1	
9	13820-89L00	HOLDER, RESTRICTOR	1	
10	09320-09052	CUSHION	2	
11	13831-89L00	CUSHION, AIR INLET PIPE	1	



FIG.16

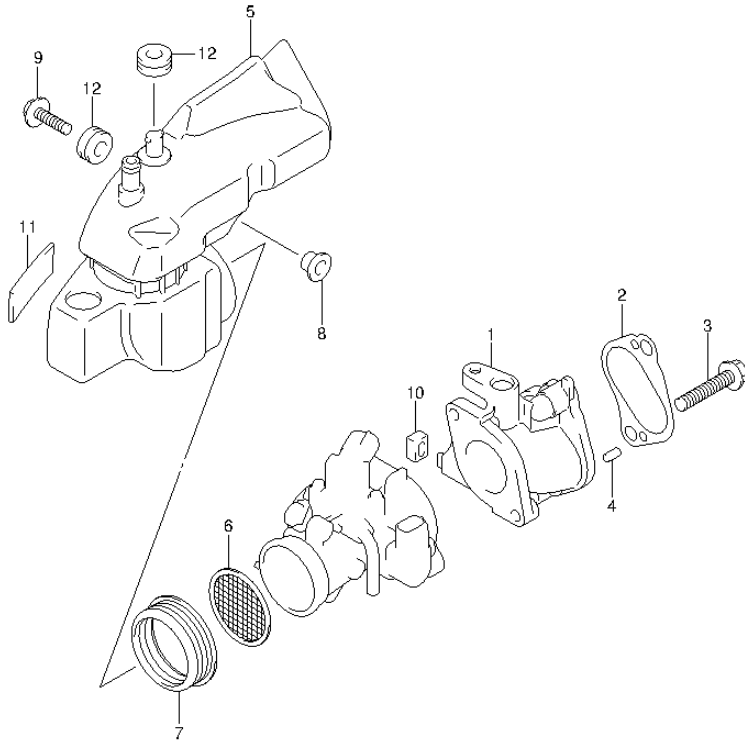


FIG.16 (1-C-3) INLET MANIFOLD (DF20A P01)

REF NO.	PART NO.	DESCRIPTION	Q'TY	REMARKS
1	13111-89L00	MANIFOLD, INLET	1	
2	13119-89L00	GASKET, INLET MANIFOLD	1	
3	01550-08407	BOLT	2	
4	04221-05109	PIN	2	
5	13811-89L00	SILENCER	1	
6	13710-89L00	ARRESTER, FLAME	1	
7	13832-89L00	SEAL, SILENCER	1	
8	09169-06062	WASHER	1	
9	09116-06202	BOLT (6X25)	1	
10	13116-94J00	CAP, INLET MANIFOLD	1	
11	13831-89L00	CUSHION, AIR INLET PIPE	1	
12	09320-09052	CUSHION	2	



FIG.17

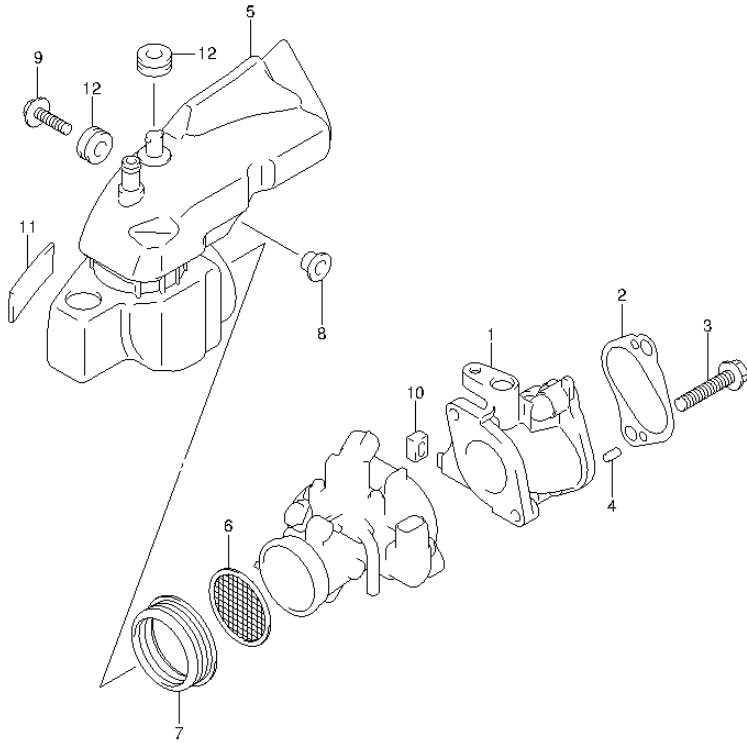


FIG.17 (1-C-4) INLET MANIFOLD (DF20A P40)

REF NO.	PART NO.	DESCRIPTION	Q'TY	REMARKS
1	13111-89L00	MANIFOLD, INLET	1	
2	13119-89L00	GASKET, INLET MANIFOLD	1	
3	01550-08407	BOLT	2	
4	04221-05109	PIN	2	
5	13811-89L00	SILENCER	1	
6	13710-89L00	ARRESTER, FLAME	1	
7	13832-89L00	SEAL, SILENCER	1	
8	09169-06062	WASHER	1	
9	09116-06202	BOLT (6X25)	1	
10	13116-94J00	CAP, INLET MANIFOLD	1	
11	13831-89L00	CUSHION, AIR INLET PIPE	1	
12	09320-09052	CUSHION	2	



FIG.18

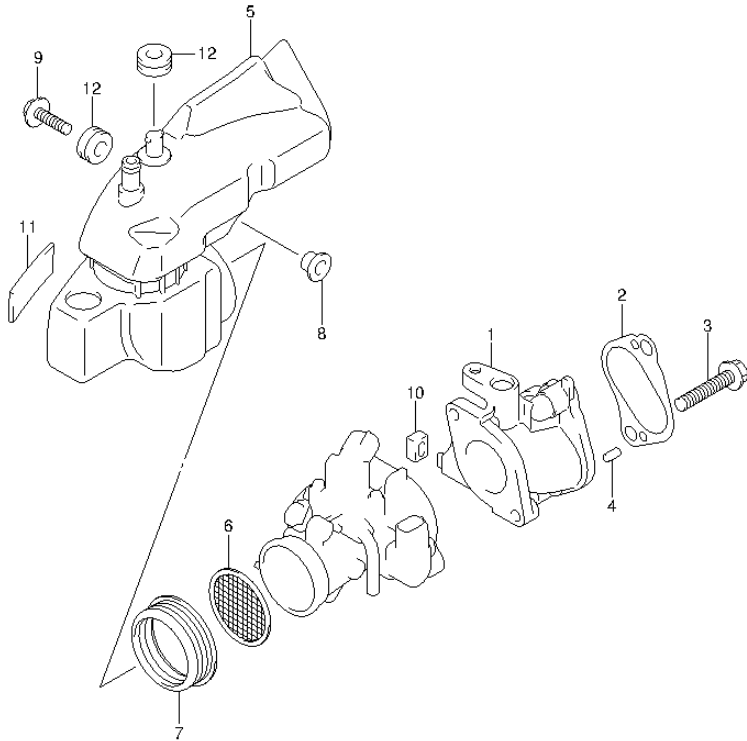


FIG.18 (1-C-5) INLET MANIFOLD (DF20AR P01)

REF NO.	PART NO.	DESCRIPTION	Q'TY	REMARKS
1	13111-89L00	MANIFOLD, INLET	1	
2	13119-89L00	GASKET, INLET MANIFOLD	1	
3	01550-08407	BOLT	2	
4	04221-05109	PIN	2	
5	13811-89L00	SILENCER	1	
6	13710-89L00	ARRESTER, FLAME	1	
7	13832-89L00	SEAL, SILENCER	1	
8	09169-06062	WASHER	1	
9	09116-06202	BOLT (6X25)	1	
10	13116-94J00	CAP, INLET MANIFOLD	1	
11	13831-89L00	CUSHION, AIR INLET PIPE	1	
12	09320-09052	CUSHION	2	



FIG.19

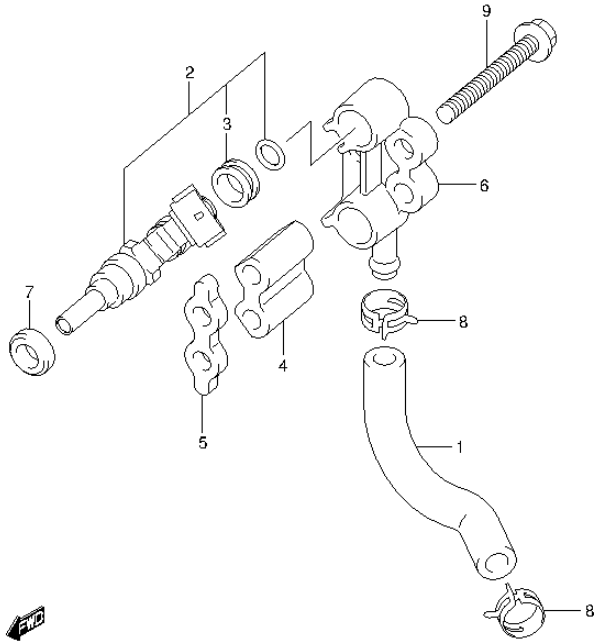


FIG.19 (1-C-6) FUEL INJECTOR

REF NO.	PART NO.	DESCRIPTION	Q'TY	REMARKS
1	15681-89L00	HOSE, FUEL(PUMP TO DLVY)	1	
2	15710-89L00	INJECTOR ASSY, FUEL	2	
3	15716-65DT0	.GROMMET SET, FUEL INJECTOR	2	
4	15734-89L00	SPACER, DELIVERY PIPE	1	
5	15735-89L00	INSULATOR, DELIVERY PIPE	1	
6	15751-89L00	PIPE, DELIVERY	1	
7	09320-08062	CUSHION	2	
8	09401-11425	CLIP	2	
9	01550-06507	BOLT	2	

FIG.20

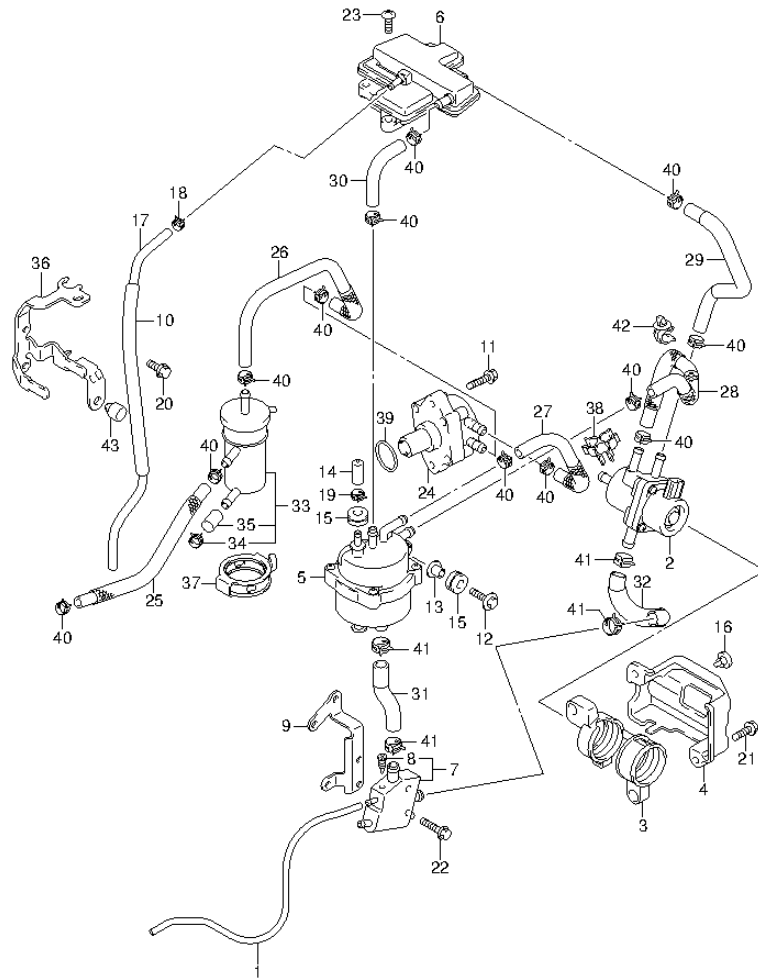


FIG.20 (1-C-7) FUEL PUMP (DF9.9B P01)

REF NO.	PART NO.	DESCRIPTION	Q'TY	REMARKS
1	13684-89L00	HOSE, DRAIN	1	
2	15200-89L00	PUMP ASSY, FUEL (H)	1	
3	15217-89L00	CUSHION, FUEL PUMP (H)	1	
4	15218-89L00	BRACKET, FUEL PUMP (H)	1	
5	15600-89L00	SEPARATOR ASSY, FUEL VAPOR	1	
6	15690-89L00	CHAMBER, EVAPORATION	1	
7	15770-89L00	COOLER, FUEL	1	
8	15629-89L00	.SCREW, FUEL DRAIN	1	
9	15790-89L00	BRACKET, FUEL COOLER	1	
10	18498-87JC0	PROTECTOR (L:450)	1	L:450->200
11	01550-06257	BOLT	2	
12	09116-06202	BOLT (6X25)	1	
13	09169-06062	WASHER	1	
14	09251-05006	CAP	1	
15	09320-09052	CUSHION	3	
16	09321-08022	CUSHION	1	
17	09352-50823-600	HOSE (5X8.2X600)	1	L:600->420
18	09401-08412	CLIP	1	
19	09401-10412	CLIP	1	
20	01550-06167	BOLT	2	
21	01550-06207	BOLT	2	
22	01550-06257	BOLT	2	
23	03542-06209	SCREW	3	
24	15100-89L00	PUMP ASSY, FUEL (L)	1	
25	15191-89L00	HOSE, FUEL (CONN TO FILTER)	1	
26	15192-89L00	HOSE, FUEL (FILTER TO PUMP(L))	1	
27	15192-89L10	HOSE, FUEL (PUMP (L) TO SEP)	1	
28	15192-89L20	HOSE, FUEL (PUMP (H) TO SEP)	1	
29	15192-89L30	HOSE, FUEL (PUMP (H) TO 3WAY)	1	
30	15192-89L40	HOSE, FUEL (SEPARATOR TO EVAP)	1	
31	15193-89L00	HOSE, FUEL (SEPARATOR TO COOLER)	1	
32	15194-89L00	HOSE, FUEL (COOLER TO PUMP(H))	1	



FIG.20

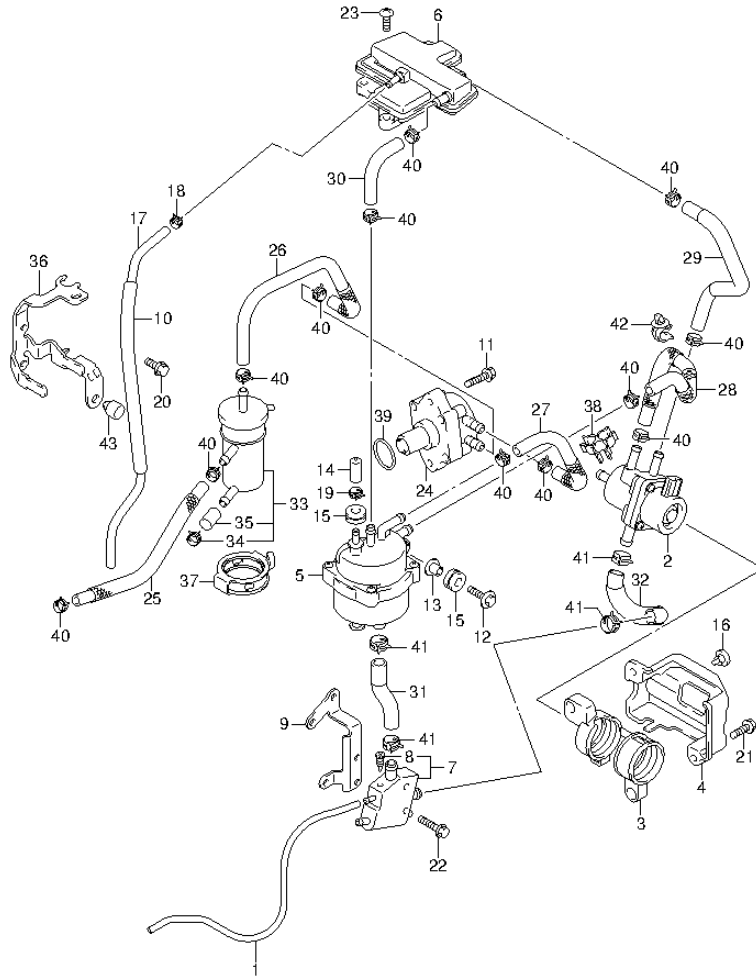


FIG.20 (1-C-8) FUEL PUMP (DF9.9B P01)

REF NO.	PART NO.	DESCRIPTION	Q'TY	REMARKS
33	15410-87L00	FILTER, FUEL (L)	1	
34	09401-11423	.CLIP	1	
35	15419-87J00	.CAP, FUEL FILTER	1	
36	15421-89L01	BRACKET, FUEL FILTER	1	
37	15422-89L00	CLAMP, FUEL FILTER	1	
38	15685-89L00	CLAMP, FUEL HOSE	1	
39	09280-26005	O RING (D:2.4, ID:26.2)	1	
40	09401-11423	CLIP	12	
41	09401-13423	CLIP	4	
42	09403-11320	CLAMP	2	
43	61151-91J11	CUSHION, FUEL FILTER BRACKET	1	



FIG.21

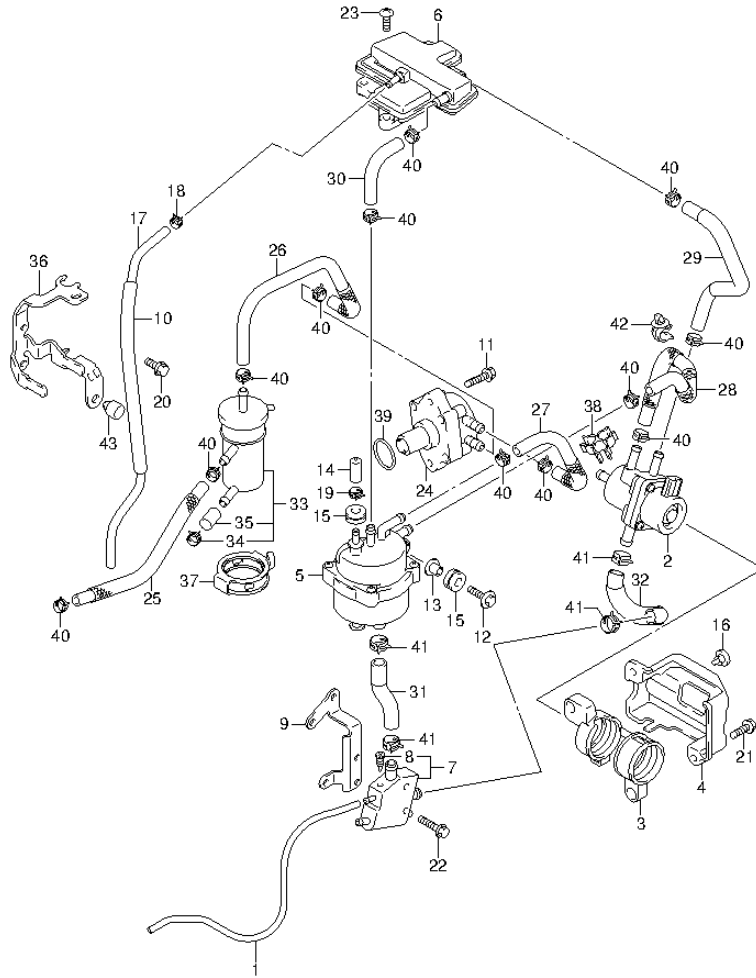


FIG.21 (1-C-9) FUEL PUMP (DF9.9BR P01)

REF NO.	PART NO.	DESCRIPTION	Q'TY	REMARKS
1	13684-89L00	HOSE, DRAIN	1	
2	15200-89L00	PUMP ASSY, FUEL (H)	1	
3	15217-89L00	CUSHION, FUEL PUMP (H)	1	
4	15218-89L00	BRACKET, FUEL PUMP (H)	1	
5	15600-89L00	SEPARATOR ASSY, FUEL VAPOR	1	
6	15690-89L00	CHAMBER, EVAPORATION	1	
7	15770-89L00	COOLER, FUEL	1	
8	15629-89L00	.SCREW, FUEL DRAIN	1	
9	15790-89L00	BRACKET, FUEL COOLER	1	
10	18498-87JC0	PROTECTOR (L:450)	1	L:450->200
11	01550-06257	BOLT	2	
12	09116-06202	BOLT (6X25)	1	
13	09169-06062	WASHER	1	
14	09251-05006	CAP	1	
15	09320-09052	CUSHION	3	
16	09321-08022	CUSHION	1	
17	09352-50823-600	HOSE (5X8.2X600)	1	L:600->420
18	09401-08412	CLIP	1	
19	09401-10412	CLIP	1	
20	01550-06167	BOLT	2	
21	01550-06207	BOLT	2	
22	01550-06257	BOLT	2	
23	03542-06209	SCREW	3	
24	15100-89L00	PUMP ASSY, FUEL (L)	1	
25	15191-89L00	HOSE, FUEL (CONN TO FILTER)	1	
26	15192-89L00	HOSE, FUEL (FILTER TO PUMP(L))	1	
27	15192-89L10	HOSE, FUEL (PUMP (L) TO SEP)	1	
28	15192-89L20	HOSE, FUEL (PUMP (H) TO SEP)	1	
29	15192-89L30	HOSE, FUEL (PUMP (H) TO 3WAY)	1	
30	15192-89L40	HOSE, FUEL (SEPARATOR TO EVAP)	1	
31	15193-89L00	HOSE, FUEL (SEPARATOR TO COOLER)	1	
32	15194-89L00	HOSE, FUEL (COOLER TO PUMP(H))	1	

FIG.21

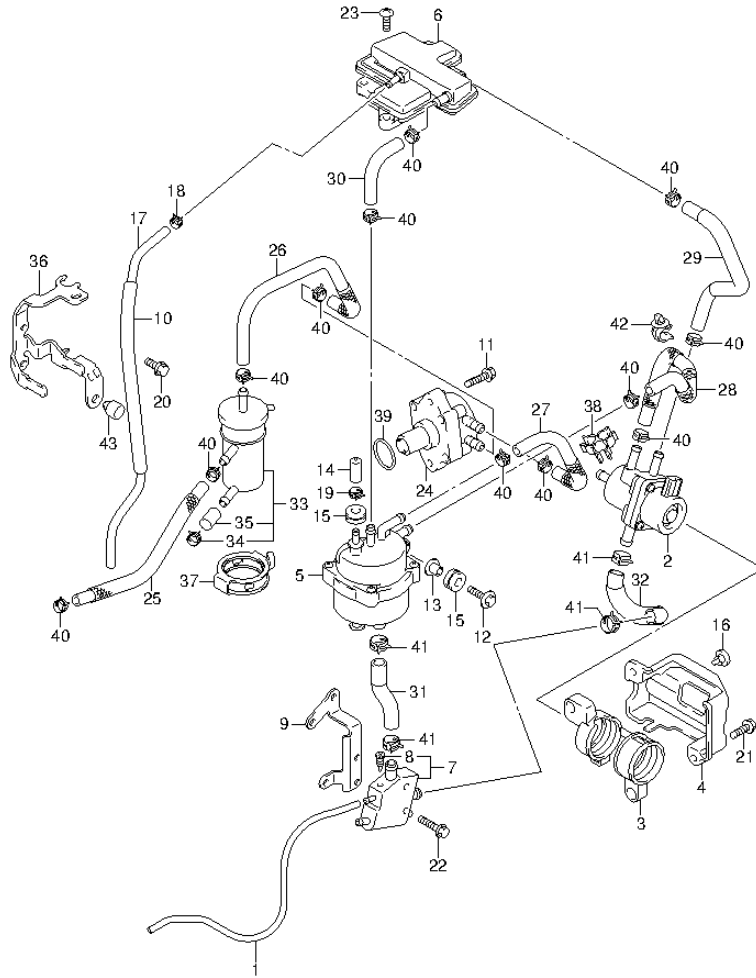


FIG.21 (1-C-10) FUEL PUMP (DF9.9BR P01)

REF NO.	PART NO.	DESCRIPTION	Q'TY	REMARKS
33	15410-87L00	FILTER, FUEL (L)	1	
34	09401-11423	.CLIP	1	
35	15419-87J00	.CAP, FUEL FILTER	1	
36	15421-89L01	BRACKET, FUEL FILTER	1	
37	15422-89L00	CLAMP, FUEL FILTER	1	
38	15685-89L00	CLAMP, FUEL HOSE	1	
39	09280-26005	O RING (D:2.4, ID:26.2)	1	
40	09401-11423	CLIP	12	
41	09401-13423	CLIP	4	
42	09403-11320	CLAMP	2	
43	61151-91J11	CUSHION, FUEL FILTER BRACKET	1	

FIG.22

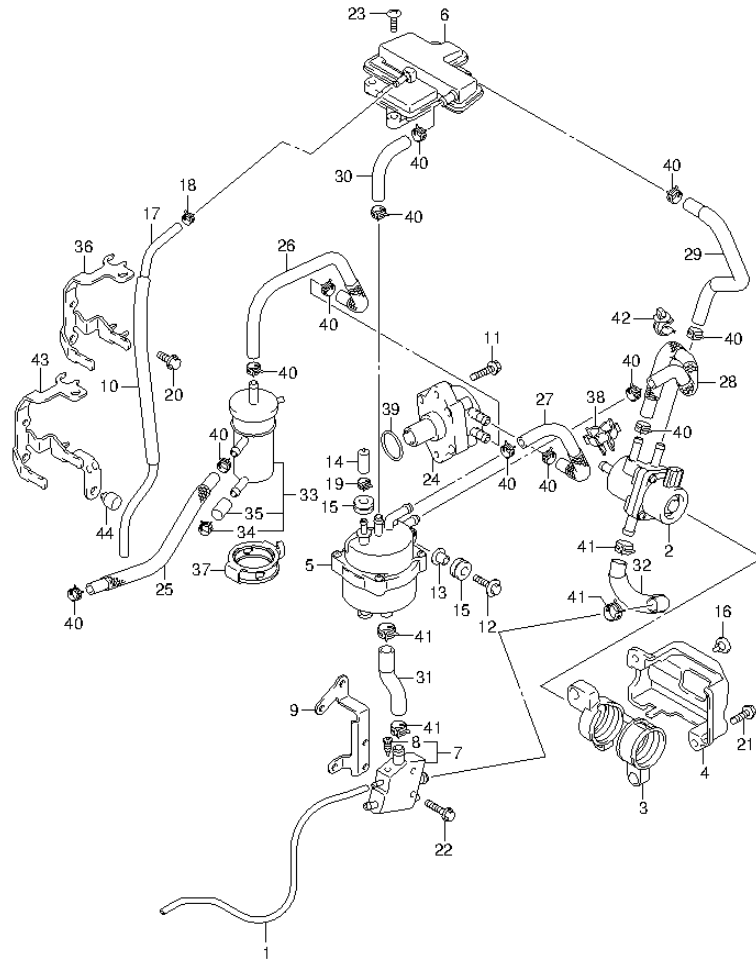


FIG.22 (1-C-11) FUEL PUMP (DF15A P01)

REF NO.	PART NO.	DESCRIPTION	Q'TY	REMARKS
1	13684-89L00	HOSE, DRAIN	1	
2	15200-89L00	PUMP ASSY, FUEL (H)	1	
3	15217-89L00	CUSHION, FUEL PUMP (H)	1	
4	15218-89L00	BRACKET, FUEL PUMP (H)	1	
5	15600-89L00	SEPARATOR ASSY, FUEL VAPOR	1	
6	15690-89L00	CHAMBER, EVAPORATION	1	
7	15770-89L00	COOLER, FUEL	1	
8	15629-89L00	.SCREW, FUEL DRAIN	1	
9	15790-89L00	BRACKET, FUEL COOLER	1	
10	18498-87JC0	PROTECTOR (L:450)	1	L:450->200
11	01550-06257	BOLT	2	
12	09116-06202	BOLT (6X25)	1	
13	09169-06062	WASHER	1	
14	09251-05006	CAP	1	
15	09320-09052	CUSHION	3	
16	09321-08022	CUSHION	1	
17	09352-50823-600	HOSE (5X8.2X600)	1	L:600->420
18	09401-08412	CLIP	1	
19	09401-10412	CLIP	1	
20	01550-06167	BOLT	2	
21	01550-06207	BOLT	2	
22	01550-06257	BOLT	2	
23	03542-06209	SCREW	3	
24	15100-89L00	PUMP ASSY, FUEL (L)	1	
25	15191-89L00	HOSE, FUEL (CONN TO FILTER)	1	
26	15192-89L00	HOSE, FUEL (FILTER TO PUMP(L))	1	
27	15192-89L10	HOSE, FUEL (PUMP (L) TO SEP)	1	
28	15192-89L20	HOSE, FUEL (PUMP (H) TO SEP)	1	
29	15192-89L30	HOSE, FUEL (PUMP (H) TO 3WAY)	1	
30	15192-89L40	HOSE, FUEL (SEPARATOR TO EVAP)	1	
31	15193-89L00	HOSE, FUEL (SEPARATOR TO COOLER)	1	
32	15194-89L00	HOSE, FUEL (COOLER TO PUMP(H))	1	



FIG.22

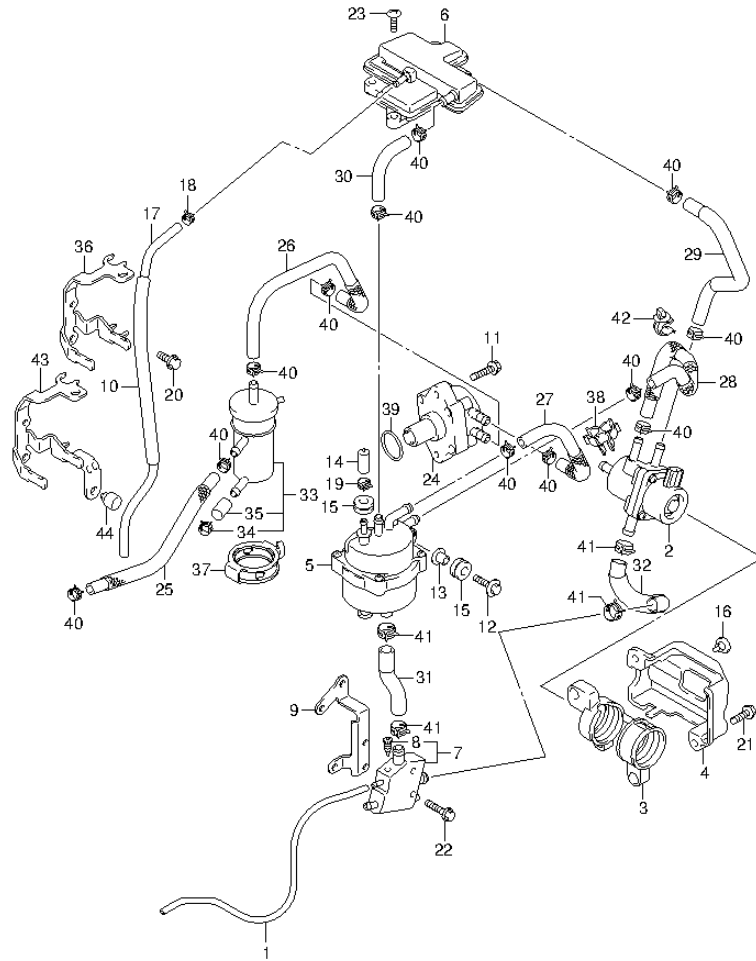


FIG.22 (1-C-12) FUEL PUMP (DF15A P01)

REF NO.	PART NO.	DESCRIPTION	Q'TY	REMARKS
33	15410-87L00	FILTER, FUEL (L)	1	
34	09401-11423	.CLIP	1	
35	15419-87J00	.CAP, FUEL FILTER	1	
36	15421-89L00	BRACKET, FUEL FILTER	1	UP TO VIN.311516
37	15422-89L00	CLAMP, FUEL FILTER	1	
38	15685-89L00	CLAMP, FUEL HOSE	1	
39	09280-26005	O RING (D:2.4,ID:26.2)	1	
40	09401-11423	CLIP	12	
41	09401-13423	CLIP	4	
42	09403-11320	CLAMP	2	
43	15421-89L01	BRACKET, FUEL FILTER	1	FROM VIN.311517
44	61151-91J11	CUSHION, FUEL FILTER BRACKET	1	FROM VIN.311517



FIG.23

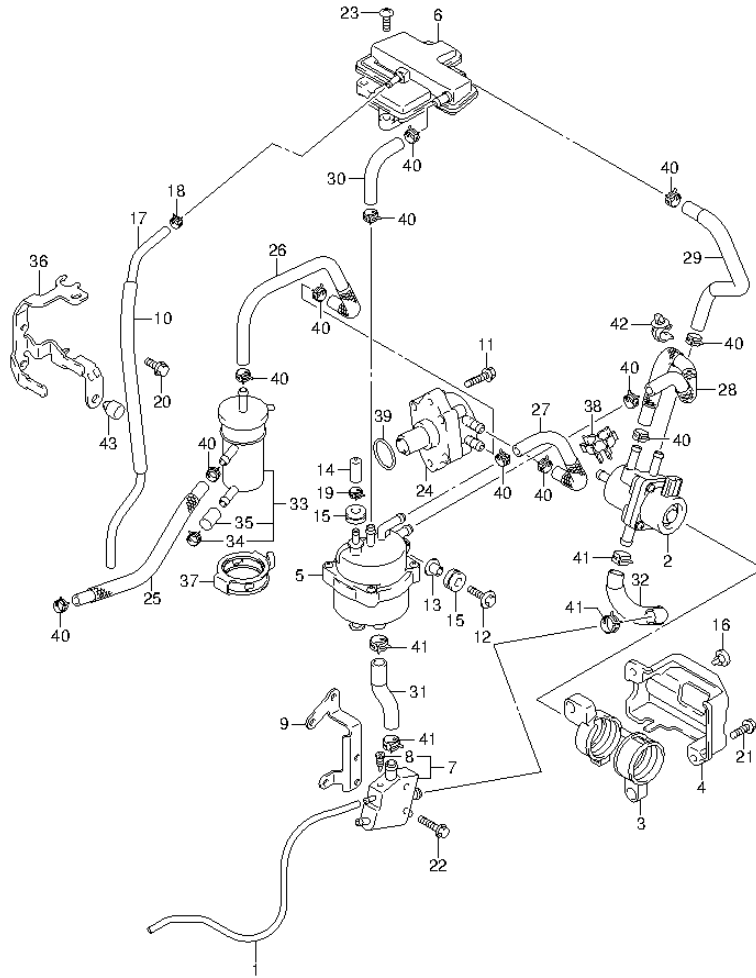


FIG.23 (1-C-13) FUEL PUMP (DF15AR P01)

REF NO.	PART NO.	DESCRIPTION	Q'TY	REMARKS
1	13684-89L00	HOSE, DRAIN	1	
2	15200-89L00	PUMP ASSY, FUEL (H)	1	
3	15217-89L00	CUSHION, FUEL PUMP (H)	1	
4	15218-89L00	BRACKET, FUEL PUMP (H)	1	
5	15600-89L00	SEPARATOR ASSY, FUEL VAPOR	1	
6	15690-89L00	CHAMBER, EVAPORATION	1	
7	15770-89L00	COOLER, FUEL	1	
8	15629-89L00	.SCREW, FUEL DRAIN	1	
9	15790-89L00	BRACKET, FUEL COOLER	1	
10	18498-87JC0	PROTECTOR (L:450)	1	L:450->200
11	01550-06257	BOLT	2	
12	09116-06202	BOLT (6X25)	1	
13	09169-06062	WASHER	1	
14	09251-05006	CAP	1	
15	09320-09052	CUSHION	3	
16	09321-08022	CUSHION	1	
17	09352-50823-600	HOSE (5X8.2X600)	1	L:600->420
18	09401-08412	CLIP	1	
19	09401-10412	CLIP	1	
20	01550-06167	BOLT	2	
21	01550-06207	BOLT	2	
22	01550-06257	BOLT	2	
23	03542-06209	SCREW	3	
24	15100-89L00	PUMP ASSY, FUEL (L)	1	
25	15191-89L00	HOSE, FUEL (CONN TO FILTER)	1	
26	15192-89L00	HOSE, FUEL (FILTER TO PUMP(L))	1	
27	15192-89L10	HOSE, FUEL (PUMP (L) TO SEP)	1	
28	15192-89L20	HOSE, FUEL (PUMP (H) TO SEP)	1	
29	15192-89L30	HOSE, FUEL (PUMP (H) TO 3WAY)	1	
30	15192-89L40	HOSE, FUEL (SEPARATOR TO EVAP)	1	
31	15193-89L00	HOSE, FUEL (SEPARATOR TO COOLER)	1	
32	15194-89L00	HOSE, FUEL (COOLER TO PUMP(H))	1	

FIG.23

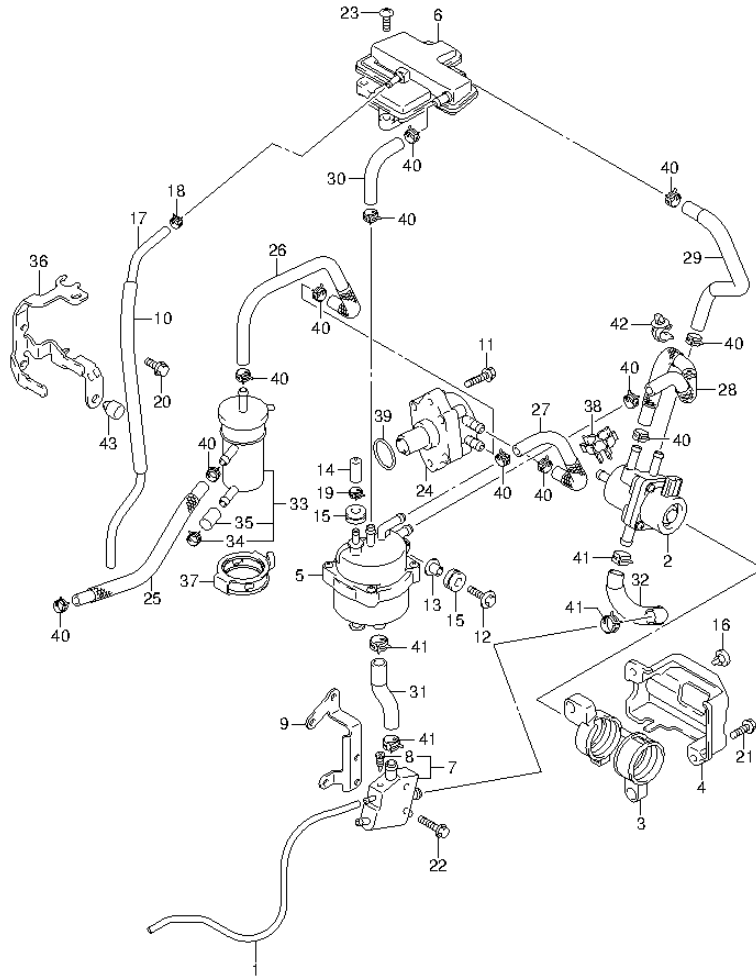


FIG.23 (1-C-14) FUEL PUMP (DF15AR P01)

REF NO.	PART NO.	DESCRIPTION	Q'TY	REMARKS
33	15410-87L00	FILTER, FUEL (L)	1	
34	09401-11423	.CLIP	1	
35	15419-87J00	.CAP, FUEL FILTER	1	
36	15421-89L01	BRACKET, FUEL FILTER	1	
37	15422-89L00	CLAMP, FUEL FILTER	1	
38	15685-89L00	CLAMP, FUEL HOSE	1	
39	09280-26005	O RING (D:2.4,ID:26.2)	1	
40	09401-11423	CLIP	12	
41	09401-13423	CLIP	4	
42	09403-11320	CLAMP	2	
43	61151-91J11	CUSHION, FUEL FILTER BRACKET	1	



FIG.24

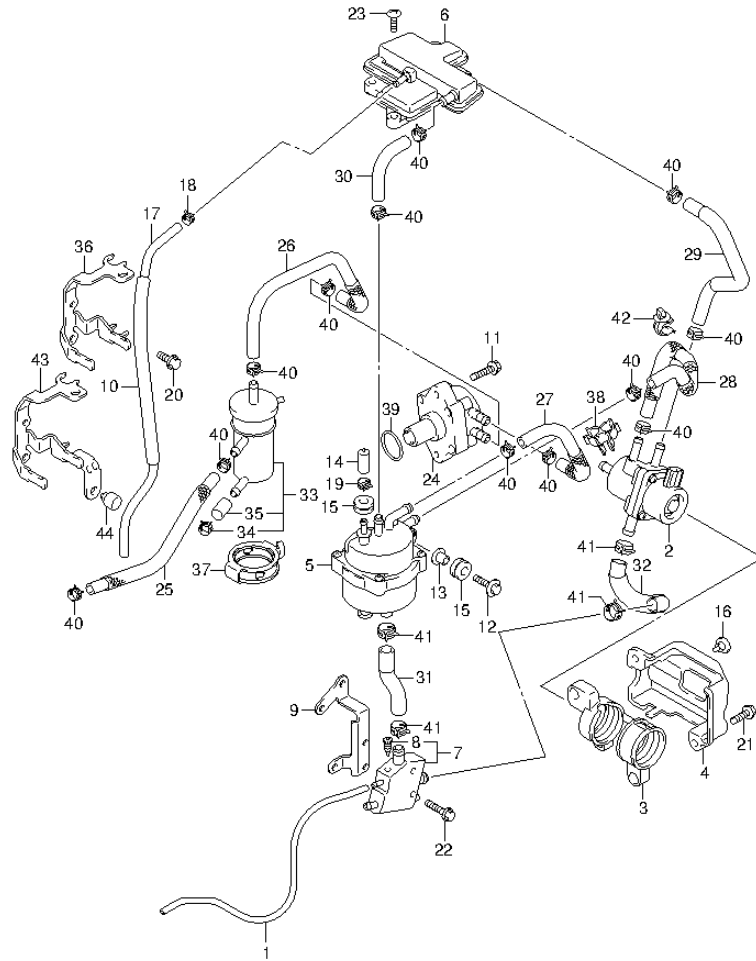


FIG.24 (1-C-15) FUEL PUMP (DF20A P01)

REF NO.	PART NO.	DESCRIPTION	Q'TY	REMARKS
1	13684-89L00	HOSE, DRAIN	1	
2	15200-89L00	PUMP ASSY, FUEL (H)	1	
3	15217-89L00	CUSHION, FUEL PUMP (H)	1	
4	15218-89L00	BRACKET, FUEL PUMP (H)	1	
5	15600-89L00	SEPARATOR ASSY, FUEL VAPOR	1	
6	15690-89L00	CHAMBER, EVAPORATION	1	
7	15770-89L00	COOLER, FUEL	1	
8	15629-89L00	.SCREW, FUEL DRAIN	1	
9	15790-89L00	BRACKET, FUEL COOLER	1	
10	18498-87JC0	PROTECTOR (L:450)	1	L:450->200
11	01550-06257	BOLT	2	
12	09116-06202	BOLT (6X25)	1	
13	09169-06062	WASHER	1	
14	09251-05006	CAP	1	
15	09320-09052	CUSHION	3	
16	09321-08022	CUSHION	1	
17	09352-50823-600	HOSE (5X8.2X600)	1	L:600->420
18	09401-08412	CLIP	1	
19	09401-10412	CLIP	1	
20	01550-06167	BOLT	2	
21	01550-06207	BOLT	2	
22	01550-06257	BOLT	2	
23	03542-06209	SCREW	3	
24	15100-89L00	PUMP ASSY, FUEL (L)	1	
25	15191-89L00	HOSE, FUEL (CONN TO FILTER)	1	
26	15192-89L00	HOSE, FUEL (FILTER TO PUMP(L))	1	
27	15192-89L10	HOSE, FUEL (PUMP (L) TO SEP)	1	
28	15192-89L20	HOSE, FUEL (PUMP (H) TO SEP)	1	
29	15192-89L30	HOSE, FUEL (PUMP (H) TO 3WAY)	1	
30	15192-89L40	HOSE, FUEL (SEPARATOR TO EVAP)	1	
31	15193-89L00	HOSE, FUEL (SEPARATOR TO COOLER)	1	
32	15194-89L00	HOSE, FUEL (COOLER TO PUMP(H))	1	



FIG.24

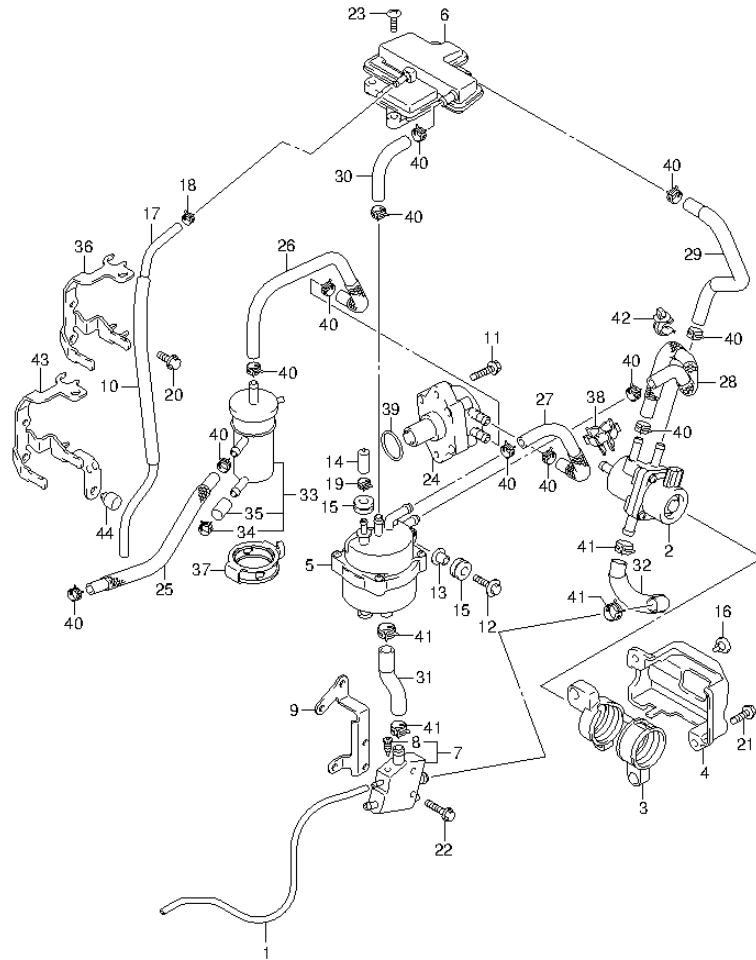


FIG.24 (1-D-2) FUEL PUMP (DF20A P01)

REF NO.	PART NO.	DESCRIPTION	Q'TY	REMARKS
33	15410-87L00	FILTER, FUEL (L)	1	
34	09401-11423	.CLIP	1	
35	15419-87J00	.CAP, FUEL FILTER	1	
36	15421-89L00	BRACKET, FUEL FILTER	1	UP TO VIN.311329
37	15422-89L00	CLAMP, FUEL FILTER	1	
38	15685-89L00	CLAMP, FUEL HOSE	1	
39	09280-26005	O RING (D:2.4,ID:26.2)	1	
40	09401-11423	CLIP	12	
41	09401-13423	CLIP	4	
42	09403-11320	CLAMP	2	
43	15421-89L01	BRACKET, FUEL FILTER	1	FROM VIN.311330
44	61151-91J11	CUSHION, FUEL FILTER BRACKET	1	FROM VIN.311330

FIG.25

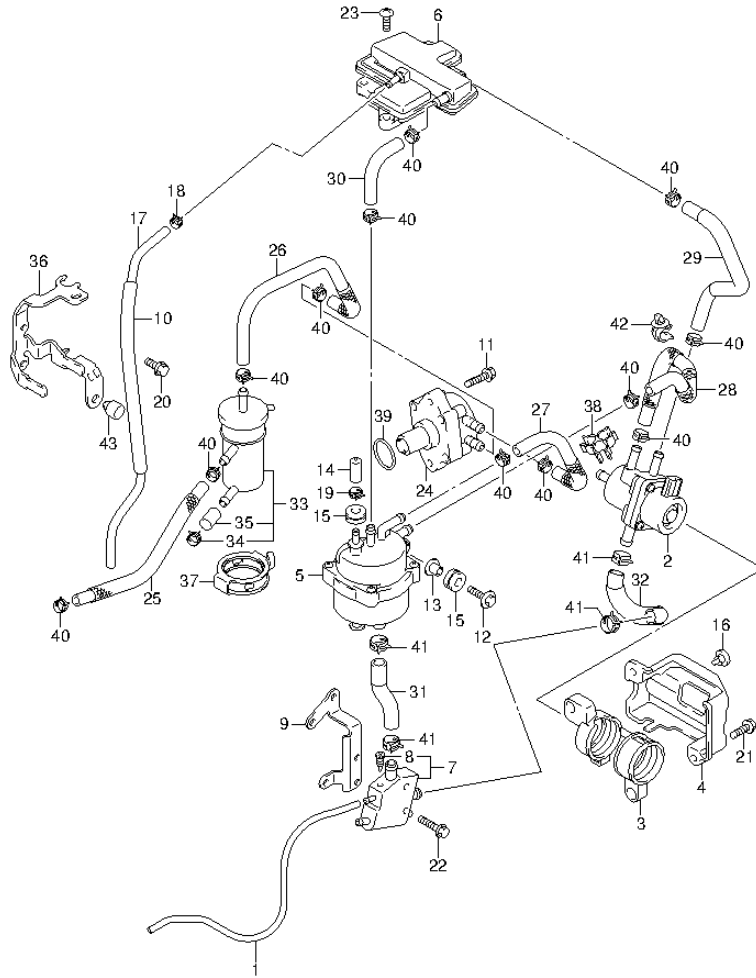


FIG.25 (1-D-3) FUEL PUMP (DF20A P40)

REF NO.	PART NO.	DESCRIPTION	Q'TY	REMARKS
1	13684-89L00	HOSE, DRAIN	1	
2	15200-89L00	PUMP ASSY, FUEL (H)	1	
3	15217-89L00	CUSHION, FUEL PUMP (H)	1	
4	15218-89L00	BRACKET, FUEL PUMP (H)	1	
5	15600-89L00	SEPARATOR ASSY, FUEL VAPOR	1	
6	15690-89L00	CHAMBER, EVAPORATION	1	
7	15770-89L00	COOLER, FUEL	1	
8	15629-89L00	.SCREW, FUEL DRAIN	1	
9	15790-89L00	BRACKET, FUEL COOLER	1	
10	18498-87JC0	PROTECTOR (L:450)	1	L:450->200
11	01550-06257	BOLT	2	
12	09116-06202	BOLT (6X25)	1	
13	09169-06062	WASHER	1	
14	09251-05006	CAP	1	
15	09320-09052	CUSHION	3	
16	09321-08022	CUSHION	1	
17	09352-50823-600	HOSE (5X8.2X600)	1	L:600->420
18	09401-08412	CLIP	1	
19	09401-10412	CLIP	1	
20	01550-06167	BOLT	2	
21	01550-06207	BOLT	2	
22	01550-06257	BOLT	2	
23	03542-06209	SCREW	3	
24	15100-89L00	PUMP ASSY, FUEL (L)	1	
25	15191-89L00	HOSE, FUEL (CONN TO FILTER)	1	
26	15192-89L00	HOSE, FUEL (FILTER TO PUMP(L))	1	
27	15192-89L10	HOSE, FUEL (PUMP (L) TO SEP)	1	
28	15192-89L20	HOSE, FUEL (PUMP (H) TO SEP)	1	
29	15192-89L30	HOSE, FUEL (PUMP (H) TO 3WAY)	1	
30	15192-89L40	HOSE, FUEL (SEPARATOR TO EVAP)	1	
31	15193-89L00	HOSE, FUEL (SEPARATOR TO COOLER)	1	
32	15194-89L00	HOSE, FUEL (COOLER TO PUMP(H))	1	

FIG.25

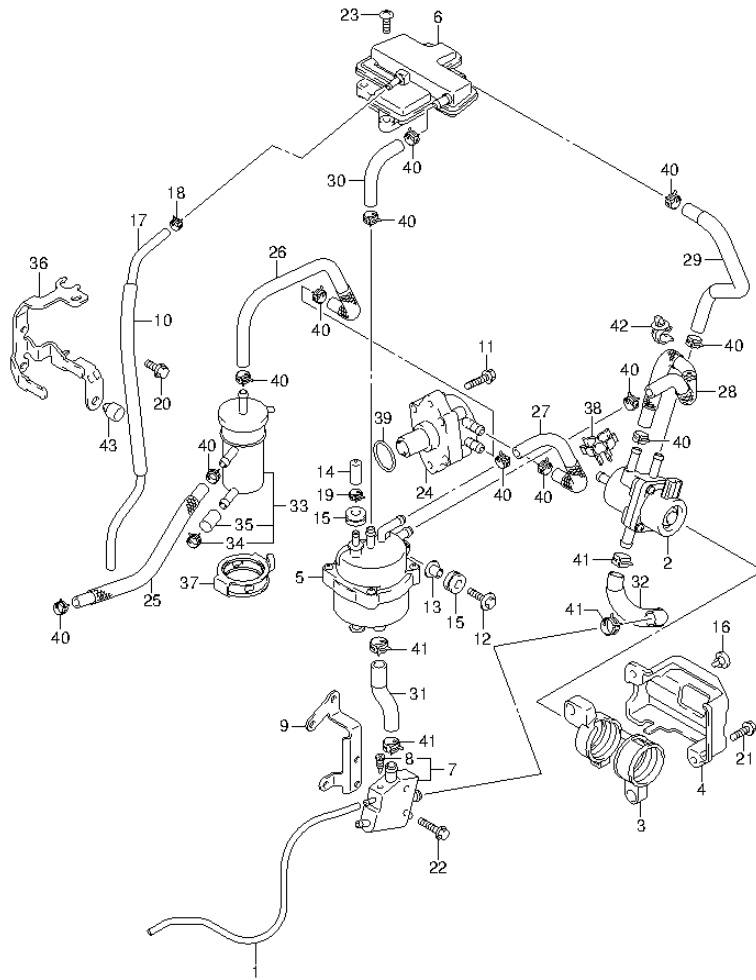


FIG.25 (1-D-4) FUEL PUMP (DF20A P40)

REF NO.	PART NO.	DESCRIPTION	Q'TY	REMARKS
33	15410-87L00	FILTER, FUEL (L)	1	
34	09401-11423	.CLIP	1	
35	15419-87J00	.CAP, FUEL FILTER	1	
36	15421-89L01	BRACKET, FUEL FILTER	1	
37	15422-89L00	CLAMP, FUEL FILTER	1	
38	15685-89L00	CLAMP, FUEL HOSE	1	
39	09280-26005	O RING (D:2.4,ID:26.2)	1	
40	09401-11423	CLIP	12	
41	09401-13423	CLIP	4	
42	09403-11320	CLAMP	2	
43	61151-91J11	CUSHION, FUEL FILTER BRACKET	1	



FIG.26

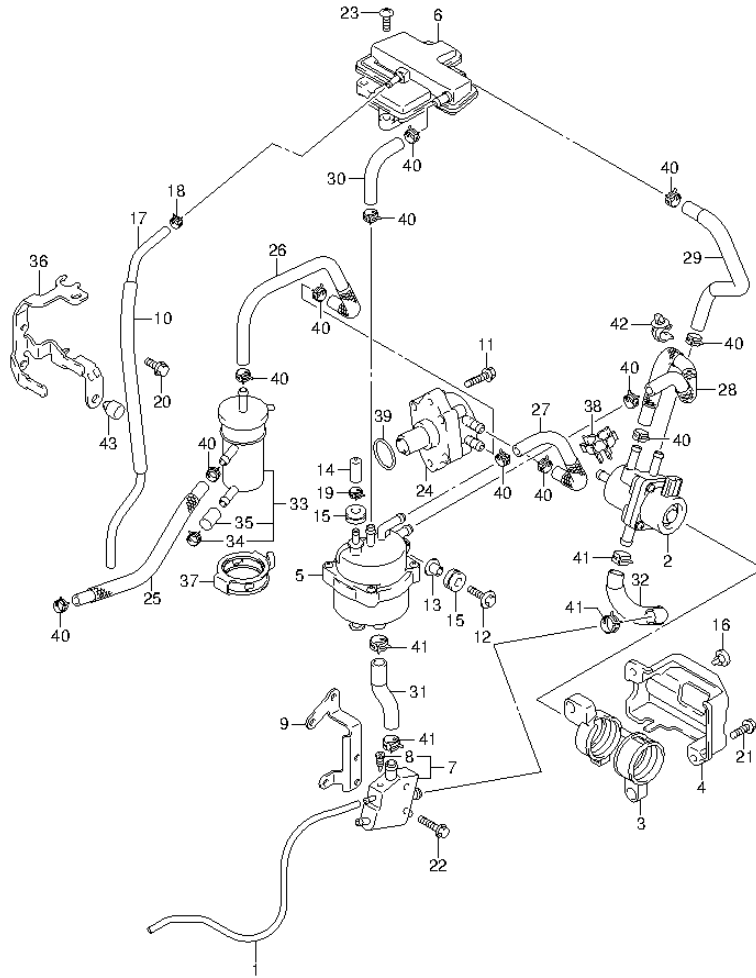


FIG.26 (1-D-5) FUEL PUMP (DF20AR P01)

REF NO.	PART NO.	DESCRIPTION	Q'TY	REMARKS
1	13684-89L00	HOSE, DRAIN	1	
2	15200-89L00	PUMP ASSY, FUEL (H)	1	
3	15217-89L00	CUSHION, FUEL PUMP (H)	1	
4	15218-89L00	BRACKET, FUEL PUMP (H)	1	
5	15600-89L00	SEPARATOR ASSY, FUEL VAPOR	1	
6	15690-89L00	CHAMBER, EVAPORATION	1	
7	15770-89L00	COOLER, FUEL	1	
8	15629-89L00	.SCREW, FUEL DRAIN	1	
9	15790-89L00	BRACKET, FUEL COOLER	1	
10	18498-87JC0	PROTECTOR (L:450)	1	L:450->200
11	01550-06257	BOLT	2	
12	09116-06202	BOLT (6X25)	1	
13	09169-06062	WASHER	1	
14	09251-05006	CAP	1	
15	09320-09052	CUSHION	3	
16	09321-08022	CUSHION	1	
17	09352-50823-600	HOSE (5X8.2X600)	1	L:600->420
18	09401-08412	CLIP	1	
19	09401-10412	CLIP	1	
20	01550-06167	BOLT	2	
21	01550-06207	BOLT	2	
22	01550-06257	BOLT	2	
23	03542-06209	SCREW	3	
24	15100-89L00	PUMP ASSY, FUEL (L)	1	
25	15191-89L00	HOSE, FUEL (CONN TO FILTER)	1	
26	15192-89L00	HOSE, FUEL (FILTER TO PUMP(L))	1	
27	15192-89L10	HOSE, FUEL (PUMP (L) TO SEP)	1	
28	15192-89L20	HOSE, FUEL (PUMP (H) TO SEP)	1	
29	15192-89L30	HOSE, FUEL (PUMP (H) TO 3WAY)	1	
30	15192-89L40	HOSE, FUEL (SEPARATOR TO EVAP)	1	
31	15193-89L00	HOSE, FUEL (SEPARATOR TO COOLER)	1	
32	15194-89L00	HOSE, FUEL (COOLER TO PUMP(H))	1	

FIG.26

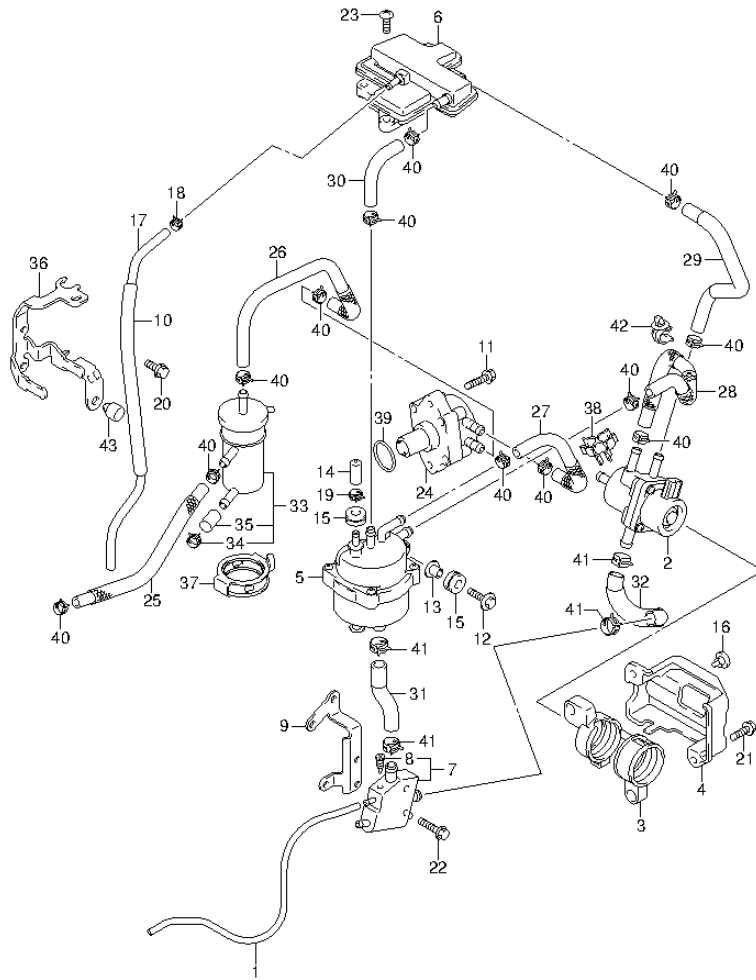


FIG.26 (1-D-6) FUEL PUMP (DF20AR P01)

REF NO.	PART NO.	DESCRIPTION	Q'TY	REMARKS
33	15410-87L00	FILTER, FUEL (L)	1	
34	09401-11423	.CLIP	1	
35	15419-87J00	.CAP, FUEL FILTER	1	
36	15421-89L01	BRACKET, FUEL FILTER	1	
37	15422-89L00	CLAMP, FUEL FILTER	1	
38	15685-89L00	CLAMP, FUEL HOSE	1	
39	09280-26005	O RING (D:2.4,ID:26.2)	1	
40	09401-11423	CLIP	12	
41	09401-13423	CLIP	4	
42	09403-11320	CLAMP	2	
43	61151-91J11	CUSHION, FUEL FILTER BRACKET	1	

FIG.27

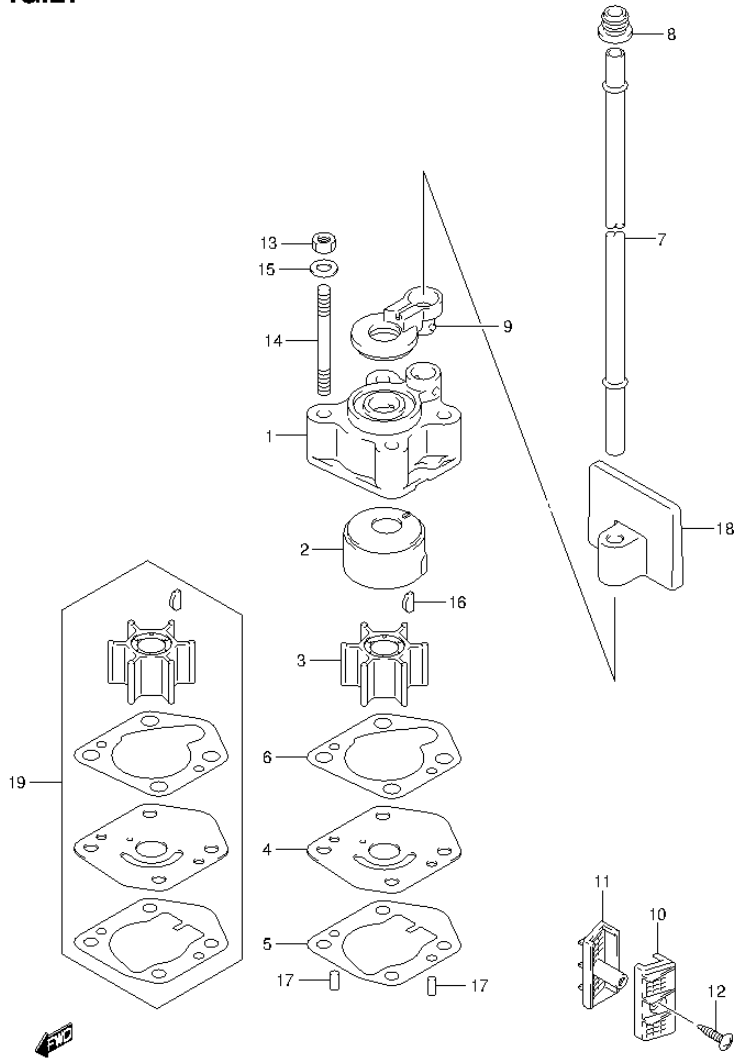


FIG.27 (1-D-7) WATER PUMP (DF9.9B P01)

REF NO.	PART NO.	DESCRIPTION	Q'TY	REMARKS
1	17411-94J00	CASE, WATER PUMP	1	
2	17413-94J00	SLEEVE, WATER PUMP CASE	1	
3	17461-939M0	IMPELLER, WATER PUMP	1	
4	17471-99J00	PANEL, PUMP CASE UNDER	1	
5	17472-99J00	GASKET, PUMP CASE PANEL	1	
6	17473-94J00	GASKET, WATER PUMP CASE	1	
7-1	17561-99J00	TUBE, WATER (S)	1	W/TRANSOM(S)
7-2	17561-99J10	TUBE, WATER (L)	1	W/TRANSOM(L)
8	17563-94J00	BUSH, WATER TUBE MIDDLE	1	
9	17564-99J00	BUSH, WATER PUMP CASE	1	
10	17631-99J20	FILTER, WATER PORT SIDE	1	
11	17632-99J30	FILTER, WATER STBD SIDE	1	
12	03141-0416A	SCREW	1	
13	29141-93J00	NUT, WATER PUMP CASE	4	
14	09108-06141	STUD BOLT	4	
15	09160-06082	WASHER (6.5X13X1.0)	4	
16	09420-03005	KEY	1	
17	09202-04008	PIN (4X9)	2	
18	17565-99J00	GUIDE, WATER TUBE	1	
19	17400-99J00	KIT, WATER PUMP REPAIR	1	OPT

FIG.28

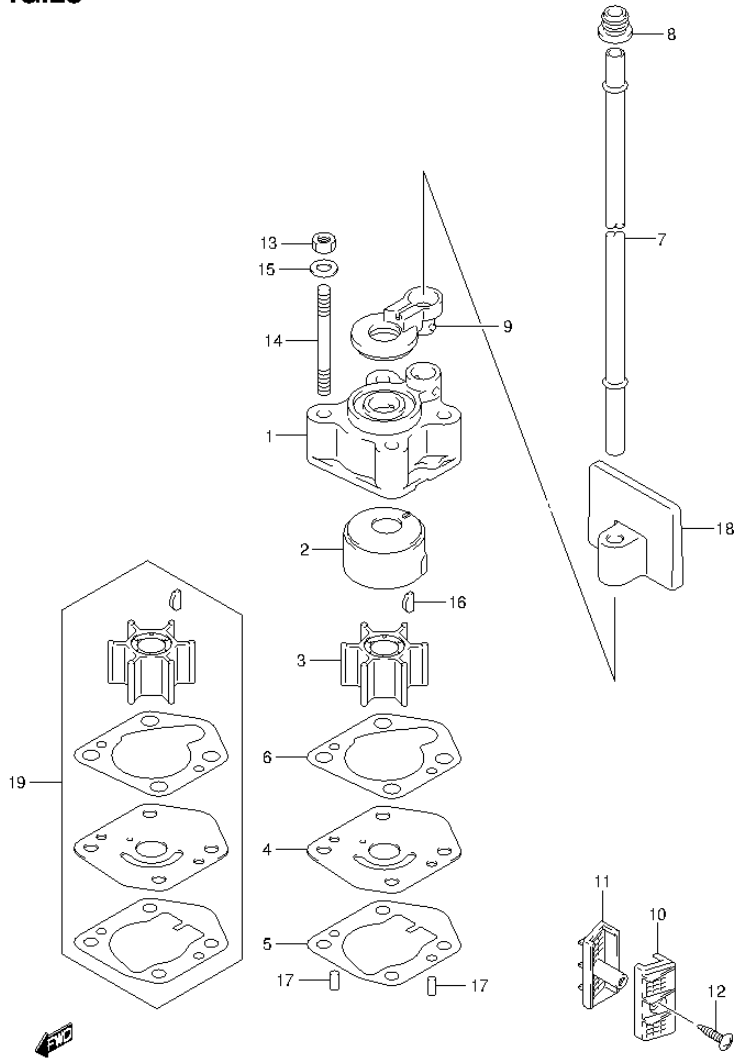


FIG.28 (1-D-8) WATER PUMP (DF9.9BR P01)

REF NO.	PART NO.	DESCRIPTION	Q'TY	REMARKS
1	17411-94J00	CASE, WATER PUMP	1	
2	17413-94J00	SLEEVE, WATER PUMP CASE	1	
3	17461-939M0	IMPELLER, WATER PUMP	1	
4	17471-99J00	PANEL, PUMP CASE UNDER	1	
5	17472-99J00	GASKET, PUMP CASE PANEL	1	
6	17473-94J00	GASKET, WATER PUMP CASE	1	
7-1	17561-99J00	TUBE, WATER (S)	1	W/TRANSOM(S)
7-2	17561-99J10	TUBE, WATER (L)	1	W/TRANSOM(L)
8	17563-94J00	BUSH, WATER TUBE MIDDLE	1	
9	17564-99J00	BUSH, WATER PUMP CASE	1	
10	17631-99J20	FILTER, WATER PORT SIDE	1	
11	17632-99J30	FILTER, WATER STBD SIDE	1	
12	03141-0416A	SCREW	1	
13	29141-93J00	NUT, WATER PUMP CASE	4	
14	09108-06141	STUD BOLT	4	
15	09160-06082	WASHER (6.5X13X1.0)	4	
16	09420-03005	KEY	1	
17	09202-04008	PIN (4X9)	2	
18	17565-99J00	GUIDE, WATER TUBE	1	
19	17400-99J00	KIT, WATER PUMP REPAIR	1	OPT

FIG.29

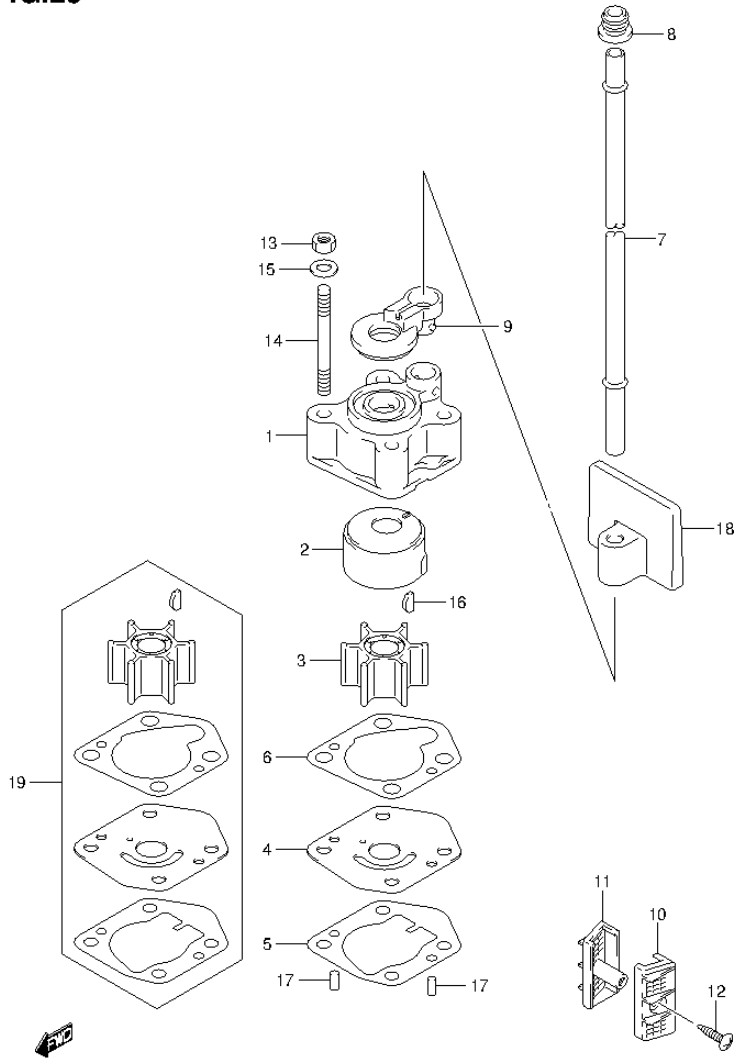


FIG.29 (1-D-9) WATER PUMP (DF15A P01)

REF NO.	PART NO.	DESCRIPTION	Q'TY	REMARKS
1	17411-94J00	CASE, WATER PUMP	1	
2	17413-94J00	SLEEVE, WATER PUMP CASE	1	
3	17461-939M0	IMPELLER, WATER PUMP	1	
4	17471-99J00	PANEL, PUMP CASE UNDER	1	
5	17472-99J00	GASKET, PUMP CASE PANEL	1	
6	17473-94J00	GASKET, WATER PUMP CASE	1	
7-1	17561-99J00	TUBE, WATER (S)	1	W/TRANSOM(S)
7-2	17561-99J10	TUBE, WATER (L)	1	W/TRANSOM(L)
8	17563-94J00	BUSH, WATER TUBE MIDDLE	1	
9	17564-99J00	BUSH, WATER PUMP CASE	1	
10	17631-99J20	FILTER, WATER PORT SIDE	1	
11	17632-99J30	FILTER, WATER STBD SIDE	1	
12	03141-0416A	SCREW	1	
13	29141-93J00	NUT, WATER PUMP CASE	4	
14	09108-06141	STUD BOLT	4	
15	09160-06082	WASHER (6.5X13X1.0)	4	
16	09420-03005	KEY	1	
17	09202-04008	PIN (4X9)	2	
18	17565-99J00	GUIDE, WATER TUBE	1	
19	17400-99J00	KIT, WATER PUMP REPAIR	1	OPT

FIG.30

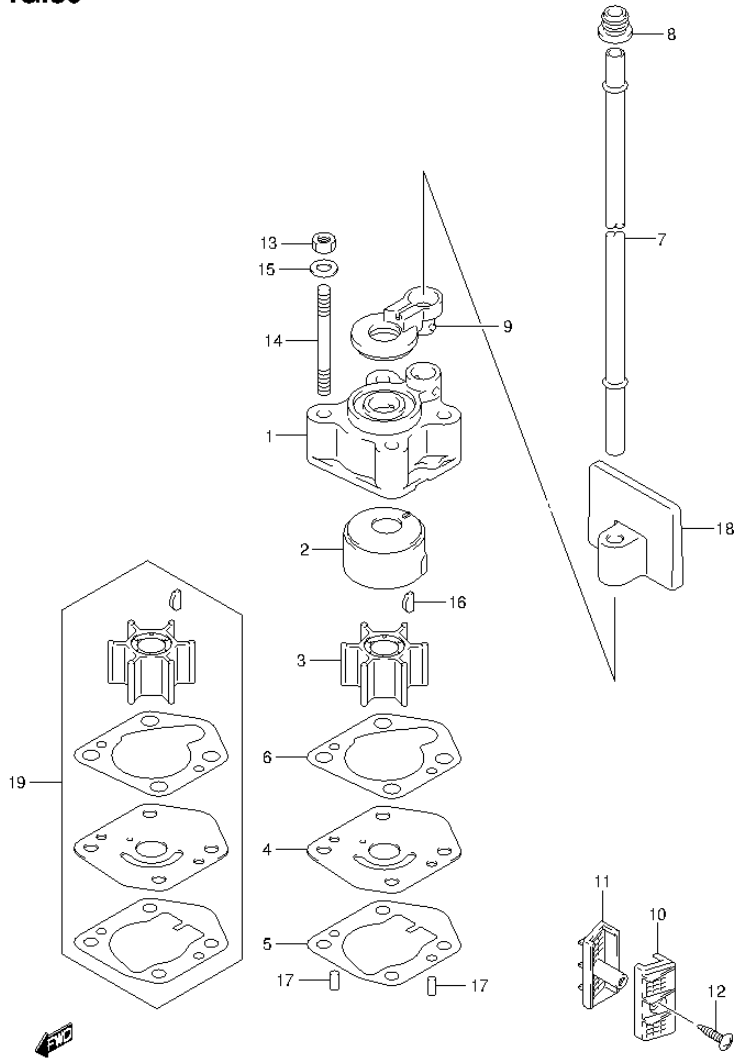


FIG.30 (1-D-10) WATER PUMP (DF15AR P01)

REF NO.	PART NO.	DESCRIPTION	Q'TY	REMARKS
1	17411-94J00	CASE, WATER PUMP	1	
2	17413-94J00	SLEEVE, WATER PUMP CASE	1	
3	17461-939M0	IMPELLER, WATER PUMP	1	
4	17471-99J00	PANEL, PUMP CASE UNDER	1	
5	17472-99J00	GASKET, PUMP CASE PANEL	1	
6	17473-94J00	GASKET, WATER PUMP CASE	1	
7-1	17561-99J00	TUBE, WATER (S)	1	W/TRANSOM(S)
7-2	17561-99J10	TUBE, WATER (L)	1	W/TRANSOM(L)
8	17563-94J00	BUSH, WATER TUBE MIDDLE	1	
9	17564-99J00	BUSH, WATER PUMP CASE	1	
10	17631-99J20	FILTER, WATER PORT SIDE	1	
11	17632-99J30	FILTER, WATER STBD SIDE	1	
12	03141-0416A	SCREW	1	
13	29141-93J00	NUT, WATER PUMP CASE	4	
14	09108-06141	STUD BOLT	4	
15	09160-06082	WASHER (6.5X13X1.0)	4	
16	09420-03005	KEY	1	
17	09202-04008	PIN (4X9)	2	
18	17565-99J00	GUIDE, WATER TUBE	1	
19	17400-99J00	KIT, WATER PUMP REPAIR	1	OPT

FIG.31

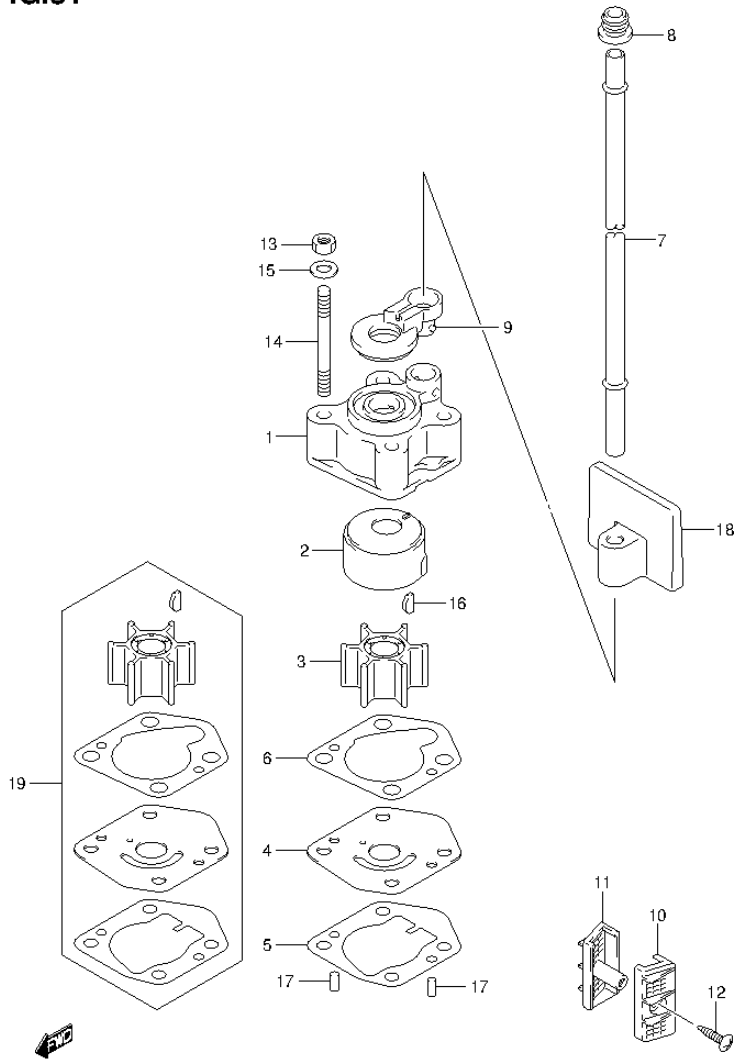


FIG.31 (1-D-11) WATER PUMP (DF20A P01)

REF NO.	PART NO.	DESCRIPTION	Q'TY	REMARKS
1	17411-94J00	CASE, WATER PUMP	1	
2	17413-94J00	SLEEVE, WATER PUMP CASE	1	
3	17461-939M0	IMPELLER, WATER PUMP	1	
4	17471-99J00	PANEL, PUMP CASE UNDER	1	
5	17472-99J00	GASKET, PUMP CASE PANEL	1	
6	17473-94J00	GASKET, WATER PUMP CASE	1	
7-1	17561-99J00	TUBE, WATER (S)	1	W/TRANSOM(S)
7-2	17561-99J10	TUBE, WATER (L)	1	W/TRANSOM(L)
8	17563-94J00	BUSH, WATER TUBE MIDDLE	1	
9	17564-99J00	BUSH, WATER PUMP CASE	1	
10	17631-99J20	FILTER, WATER PORT SIDE	1	
11	17632-99J30	FILTER, WATER STBD SIDE	1	
12	03141-0416A	SCREW	1	
13	29141-93J00	NUT, WATER PUMP CASE	4	
14	09108-06141	STUD BOLT	4	
15	09160-06082	WASHER (6.5X13X1.0)	4	
16	09420-03005	KEY	1	
17	09202-04008	PIN (4X9)	2	
18	17565-99J00	GUIDE, WATER TUBE	1	
19	17400-99J00	KIT, WATER PUMP REPAIR	1	OPT

FIG.32

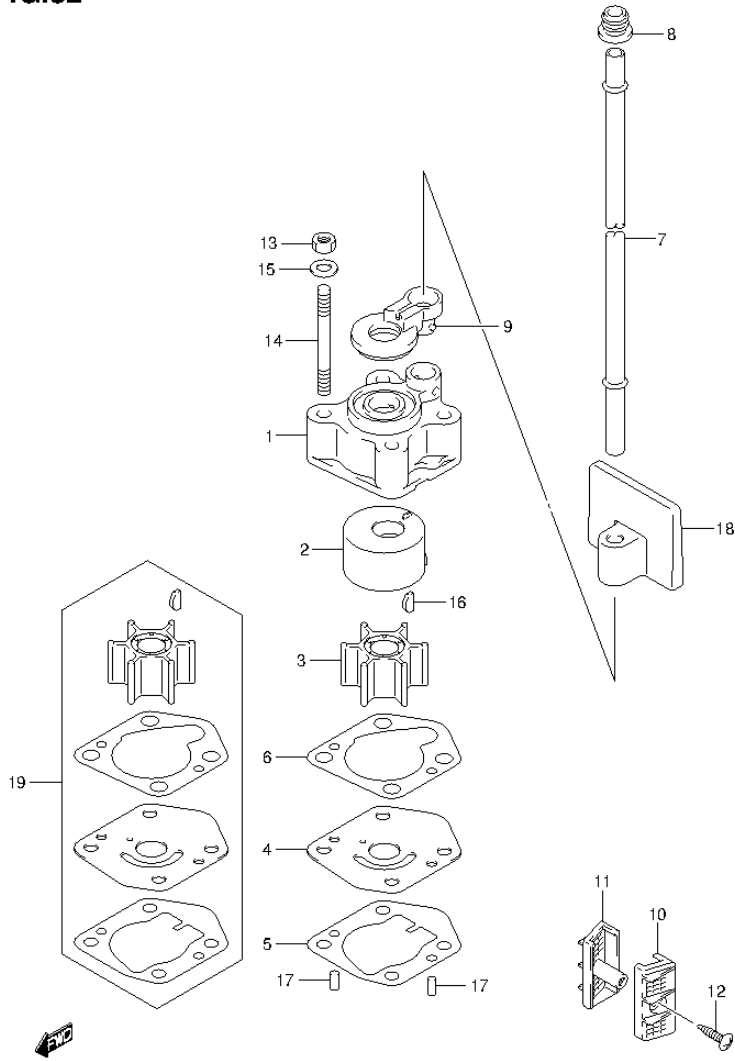


FIG.32 (1-D-12) WATER PUMP (DF20A P40)

REF NO.	PART NO.	DESCRIPTION	Q'TY	REMARKS
1	17411-94J00	CASE, WATER PUMP	1	
2	17413-94J10	SLEEVE, WATER PUMP CASE	1	
3	17461-939M0	IMPELLER, WATER PUMP	1	
4	17471-99J10	PANEL, PUMP CASE UNDER	1	
5	17472-99J00	GASKET, PUMP CASE PANEL	1	
6	17473-94J00	GASKET, WATER PUMP CASE	1	
7-1	17561-99J00	TUBE, WATER (S)	1	W/TRANSOM(S)
7-2	17561-99J10	TUBE, WATER (L)	1	W/TRANSOM(L)
8	17563-94J00	BUSH, WATER TUBE MIDDLE	1	
9	17564-99J00	BUSH, WATER PUMP CASE	1	
10	17631-99J20	FILTER, WATER PORT SIDE	1	
11	17632-99J30	FILTER, WATER STBD SIDE	1	
12	03141-0416A	SCREW	1	
13	29141-93J00	NUT, WATER PUMP CASE	4	
14	09108-06141	STUD BOLT	4	
15	09160-06082	WASHER (6.5X13X1.0)	4	
16	09420-03005	KEY	1	
17	09202-04008	PIN (4X9)	2	
18	17565-99J00	GUIDE, WATER TUBE	1	
19	17400-99J10	KIT, WATER PUMP REPAIR	1	OPT

FIG.33

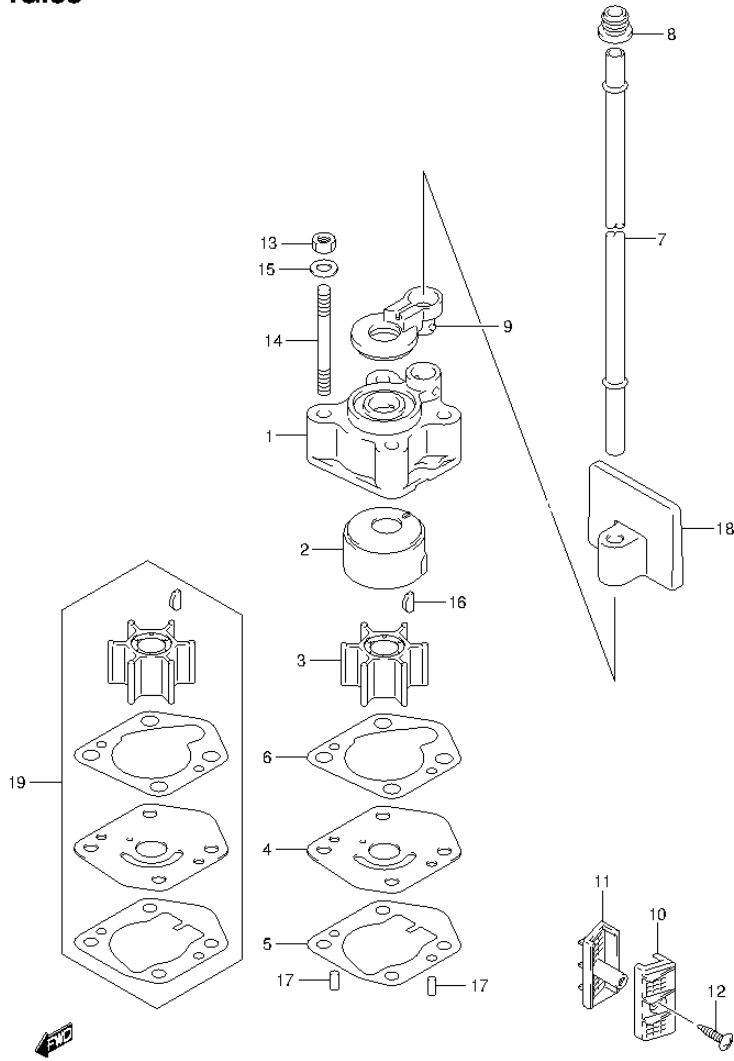


FIG.33 (1-D-13) WATER PUMP (DF20AR P01)

REF NO.	PART NO.	DESCRIPTION	Q'TY	REMARKS
1	17411-94J00	CASE, WATER PUMP	1	
2	17413-94J00	SLEEVE, WATER PUMP CASE	1	
3	17461-939M0	IMPELLER, WATER PUMP	1	
4	17471-99J00	PANEL, PUMP CASE UNDER	1	
5	17472-99J00	GASKET, PUMP CASE PANEL	1	
6	17473-94J00	GASKET, WATER PUMP CASE	1	
7-1	17561-99J00	TUBE, WATER (S)	1	W/TRANSOM(S)
7-2	17561-99J10	TUBE, WATER (L)	1	W/TRANSOM(L)
8	17563-94J00	BUSH, WATER TUBE MIDDLE	1	
9	17564-99J00	BUSH, WATER PUMP CASE	1	
10	17631-99J20	FILTER, WATER PORT SIDE	1	
11	17632-99J30	FILTER, WATER STBD SIDE	1	
12	03141-0416A	SCREW	1	
13	29141-93J00	NUT, WATER PUMP CASE	4	
14	09108-06141	STUD BOLT	4	
15	09160-06082	WASHER (6.5X13X1.0)	4	
16	09420-03005	KEY	1	
17	09202-04008	PIN (4X9)	2	
18	17565-99J00	GUIDE, WATER TUBE	1	
19	17400-99J00	KIT, WATER PUMP REPAIR	1	OPT

FIG.34

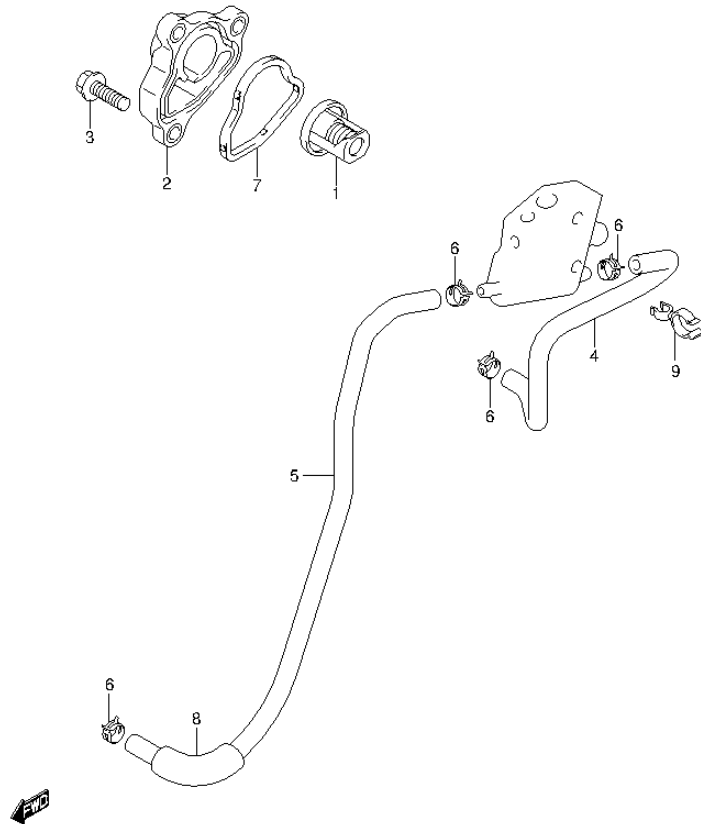


FIG.34 (1-D-14) THERMOSTAT

REF NO.	PART NO.	DESCRIPTION	Q'TY	REMARKS
1	17670-91J00	THERMOSTAT (50C)	1	
2	17680-89L00	COVER, THERMOSTAT	1	
3	01550-06207	BOLT	3	
4	17712-89L10	HOSE, WATER (COOLER TO HOUSING)	1	
5	17712-89L00	HOSE, WATER (HOUSING TO COOLER)	1	
6	09401-08413	CLIP	4	
7	17685-89L00	SEAL, THERMOSTAT COVER	1	
8	18498-94J20	PROTECTOR, FUEL HOSE (L:320)	1	L:320->50
9	09408-00070	CLAMP	1	

FIG.35

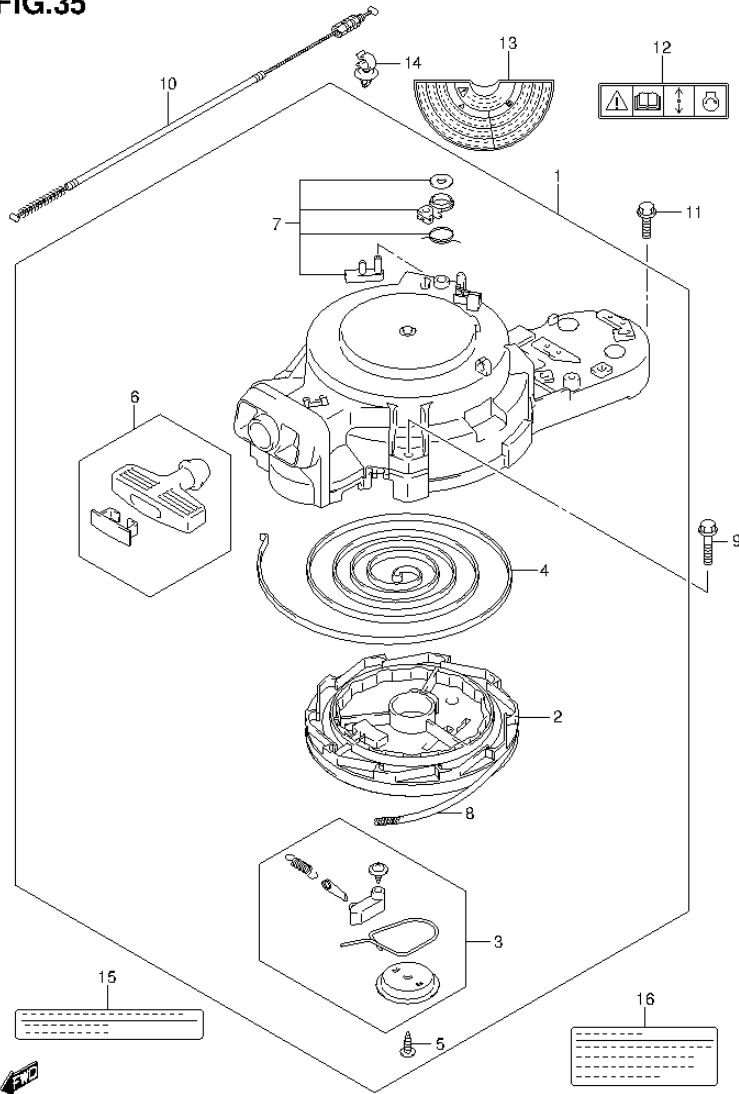


FIG.35 (1-D-15) RECOIL STARTER (DF9.9B P01)

REF NO.	PART NO.	DESCRIPTION	Q'TY	REMARKS
1	18100-94JM0	STARTER ASSY, RECOIL	1	
2	18121-94JL0	.REEL	1	
3	18130-93E01	.RATCHET SET	1	
4	18142-93E00	.SPRING, SPIRAL	1	
5	18132-89L00	.SCREW, TAPPING	1	
6	18210-93002	.GRIP ASSY	1	
7	18280-93E00	.NSI SET	1	
8	99000-81158-50M	ROPE	1	OPT L:50000->1200
9	01550-06307	BOLT	3	
10	18290-94J01	CABLE ASSY, NSI	1	
11	01550-06207	BOLT	1	
12	69711-93E10	LABEL (S.I.G.P.)	1	
13	61472-94J10	LABEL, RECOIL STARTER	1	
14	09403-12415	CLAMP	1	
15	61493-94J00	LABEL, CLEARANCE	1	
16	61494-94J00	LABEL, OIL	1	

FIG.36

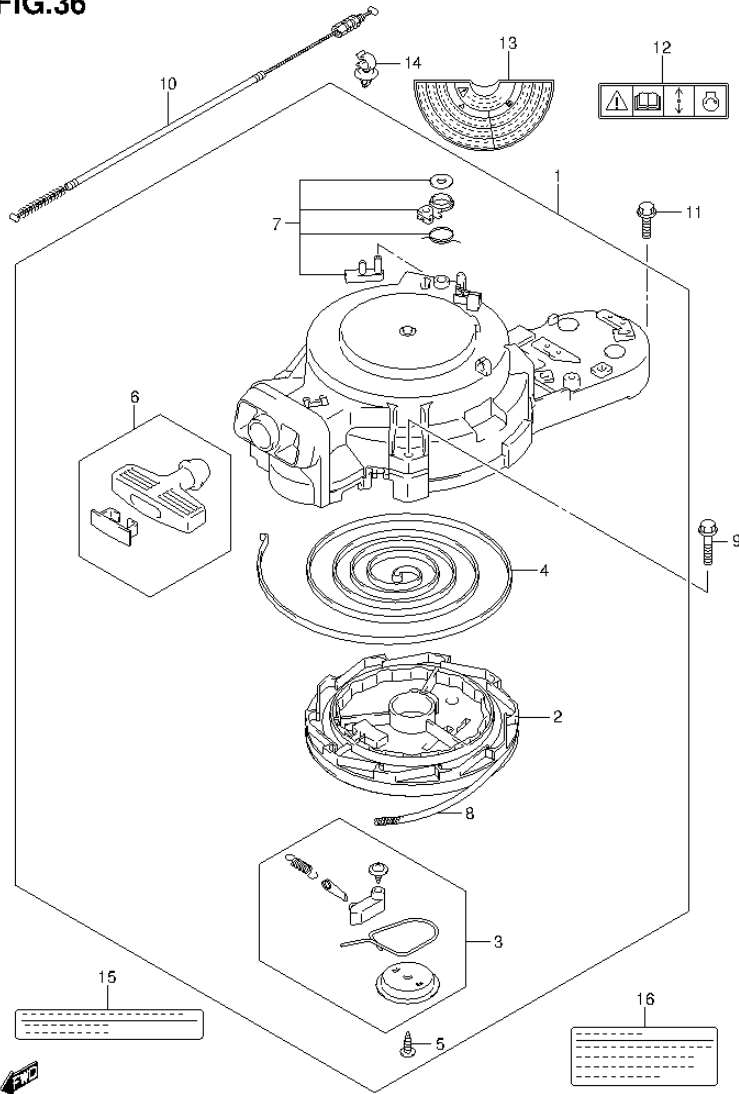


FIG.36 (1-E-2) RECOIL STARTER (DF9.9BR P01)

REF NO.	PART NO.	DESCRIPTION	Q'TY	REMARKS
1	18100-94JM0	STARTER ASSY, RECOIL	1	
2	18121-94JL0	.REEL	1	
3	18130-93E01	.RATCHET SET	1	
4	18142-93E00	.SPRING, SPIRAL	1	
5	18132-89L00	.SCREW, TAPPING	1	
6	18210-93002	.GRIP ASSY	1	
7	18280-93E00	.NSI SET	1	
8	99000-81158-50M	ROPE	1	OPT L:50000->1200
9	01550-06307	BOLT	3	
10	18290-94J01	CABLE ASSY, NSI	1	
11	01550-06207	BOLT	1	
12	69711-93E10	LABEL (S.I.G.P.)	1	
13	61472-94J10	LABEL, RECOIL STARTER	1	
14	09403-12415	CLAMP	1	
15	61493-94J00	LABEL, CLEARANCE	1	
16	61494-94J00	LABEL, OIL	1	

FIG.37

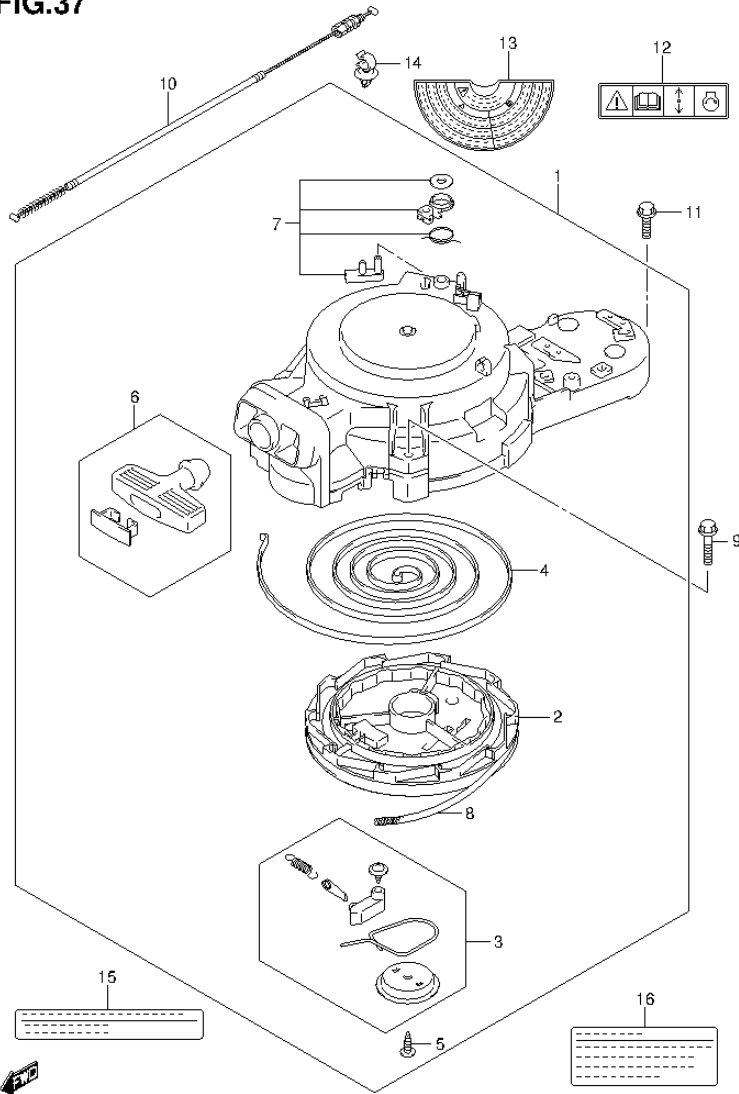


FIG.37 (1-E-3) RECOIL STARTER (DF15A P01)

REF NO.	PART NO.	DESCRIPTION	Q'TY	REMARKS
1	18100-94JM0	STARTER ASSY, RECOIL	1	
2	18121-94JL0	.REEL	1	
3	18130-93E01	.RATCHET SET	1	
4	18142-93E00	.SPRING, SPIRAL	1	
5	18132-89L00	.SCREW, TAPPING	1	
6	18210-93002	.GRIP ASSY	1	
7	18280-93E00	.NSI SET	1	
8	99000-81158-50M	ROPE	1	OPT L:50000->1200
9	01550-06307	BOLT	3	
10	18290-94J01	CABLE ASSY, NSI	1	
11	01550-06207	BOLT	1	
12	69711-93E10	LABEL (S.I.G.P.)	1	
13	61472-94J10	LABEL, RECOIL STARTER	1	
14	09403-12415	CLAMP	1	
15	61493-94J00	LABEL, CLEARANCE	1	
16	61494-94J00	LABEL, OIL	1	

FIG.38

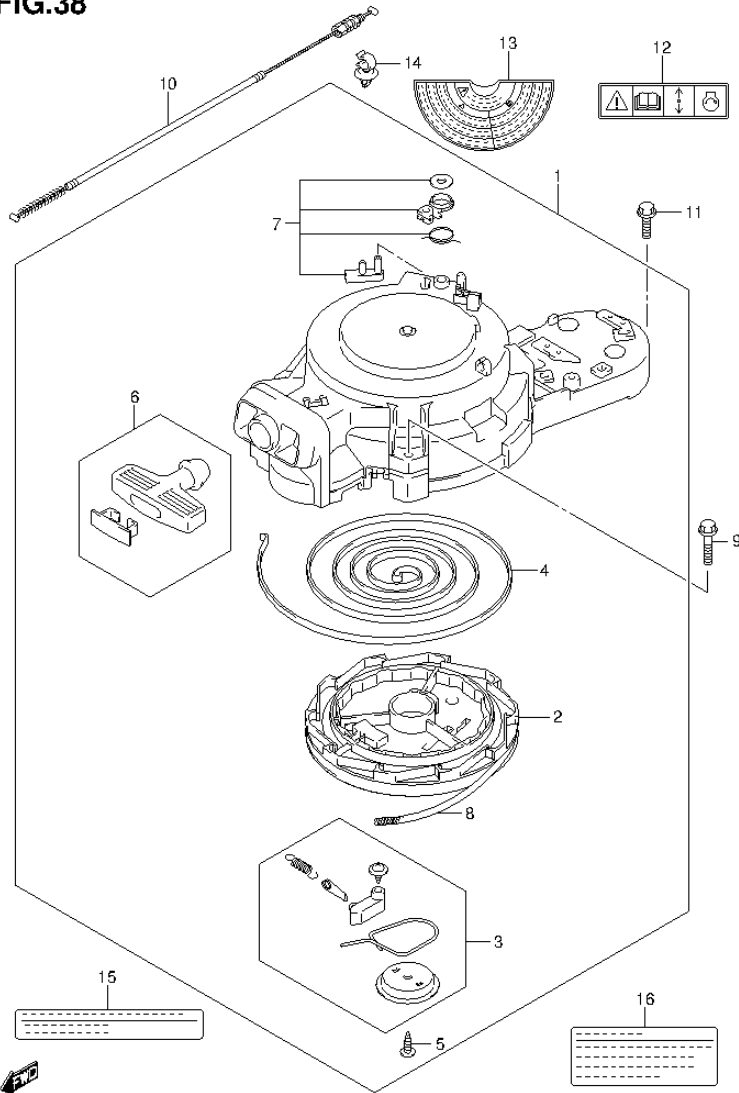


FIG.38 (1-E-4) RECOIL STARTER (DF15AR P01)

REF NO.	PART NO.	DESCRIPTION	Q'TY	REMARKS
1	18100-94JM0	STARTER ASSY, RECOIL	1	
2	18121-94JL0	.REEL	1	
3	18130-93E01	.RATCHET SET	1	
4	18142-93E00	.SPRING, SPIRAL	1	
5	18132-89L00	.SCREW, TAPPING	1	
6	18210-93002	.GRIP ASSY	1	
7	18280-93E00	.NSI SET	1	
8	99000-81158-50M	ROPE	1	OPT L:50000->1200
9	01550-06307	BOLT	3	
10	18290-94J01	CABLE ASSY, NSI	1	
11	01550-06207	BOLT	1	
12	69711-93E10	LABEL (S.I.G.P.)	1	
13	61472-94J10	LABEL, RECOIL STARTER	1	
14	09403-12415	CLAMP	1	
15	61493-94J00	LABEL, CLEARANCE	1	
16	61494-94J00	LABEL, OIL	1	

FIG.39

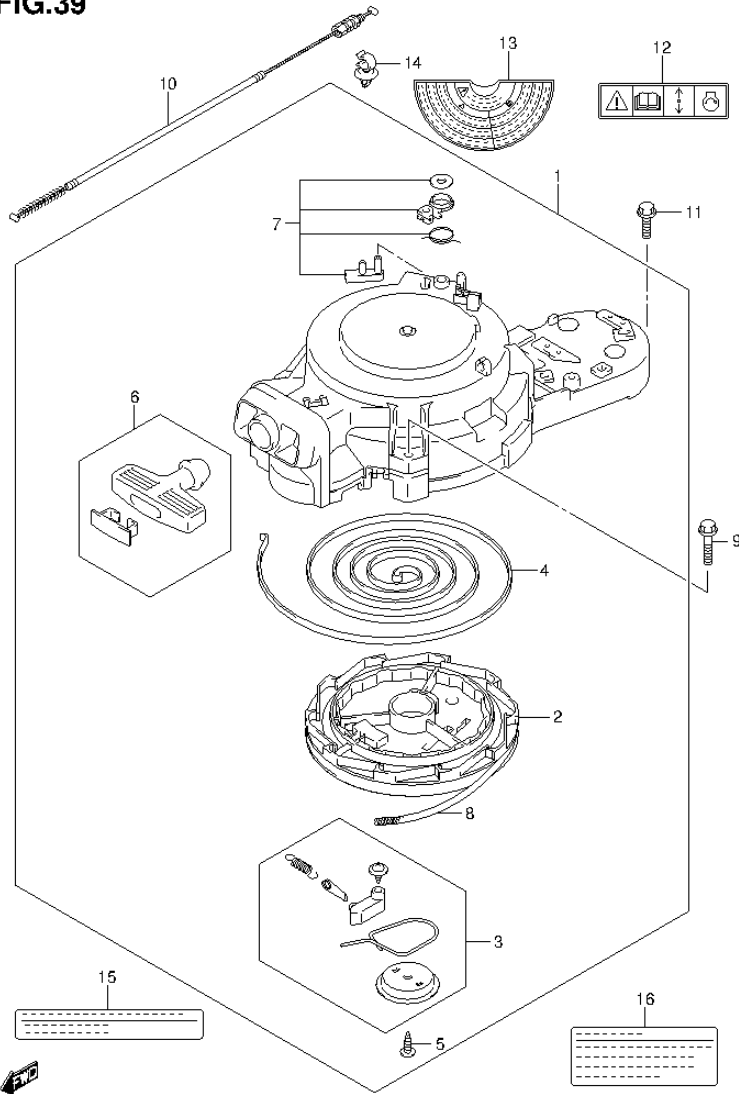


FIG.39 (1-E-5) RECOIL STARTER (DF20A P01)

REF NO.	PART NO.	DESCRIPTION	Q'TY	REMARKS
1	18100-94JM0	STARTER ASSY, RECOIL	1	
2	18121-94JL0	.REEL	1	
3	18130-93E01	.RATCHET SET	1	
4	18142-93E00	.SPRING, SPIRAL	1	
5	18132-89L00	.SCREW, TAPPING	1	
6	18210-93002	.GRIP ASSY	1	
7	18280-93E00	.NSI SET	1	
8	99000-81158-50M	ROPE	1	OPT L:50000->1200
9	01550-06307	BOLT	3	
10	18290-94J01	CABLE ASSY, NSI	1	
11	01550-06207	BOLT	1	
12	69711-93E10	LABEL (S.I.G.P.)	1	
13	61472-94J10	LABEL, RECOIL STARTER	1	
14	09403-12415	CLAMP	1	
15	61493-94J00	LABEL, CLEARANCE	1	
16	61494-94J00	LABEL, OIL	1	

FIG.40

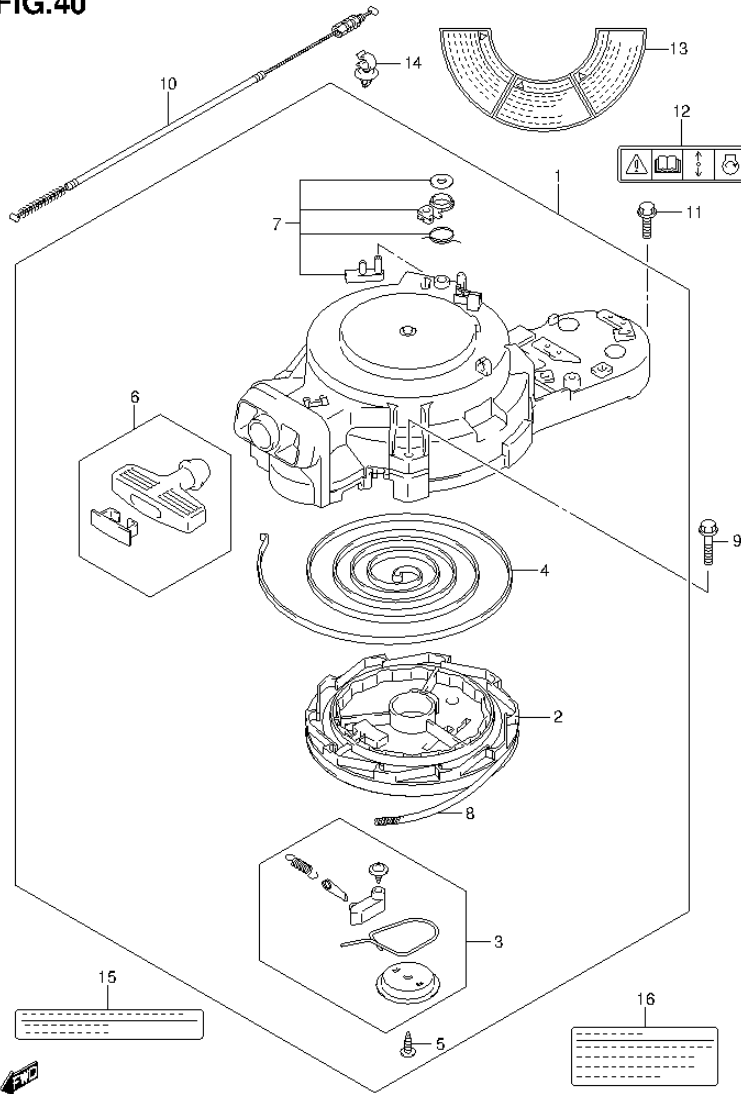


FIG.40 (1-E-6) RECOIL STARTER (DF20A P40)

REF NO.	PART NO.	DESCRIPTION	Q'TY	REMARKS
1	18100-94JM0	STARTER ASSY, RECOIL	1	
2	18121-94JL0	.REEL	1	
3	18130-93E01	.RATCHET SET	1	
4	18142-93E00	.SPRING, SPIRAL	1	
5	18132-89L00	.SCREW, TAPPING	1	
6	18210-93002	.GRIP ASSY	1	
7	18280-93E00	.NSI SET	1	
8	99000-81158-50M	ROPE	1	OPT L:50000->1200
9	01550-06307	BOLT	3	
10	18290-94J01	CABLE ASSY, NSI	1	
11	01550-06207	BOLT	1	
12	69711-93E10	LABEL (S.I.G.P.)	1	
13	61472-94J00	LABEL, RECOIL STARTER	1	
14	09403-12415	CLAMP	1	
15	61493-94J00	LABEL, CLEARANCE	1	
16	61494-94J00	LABEL, OIL	1	

FIG.41

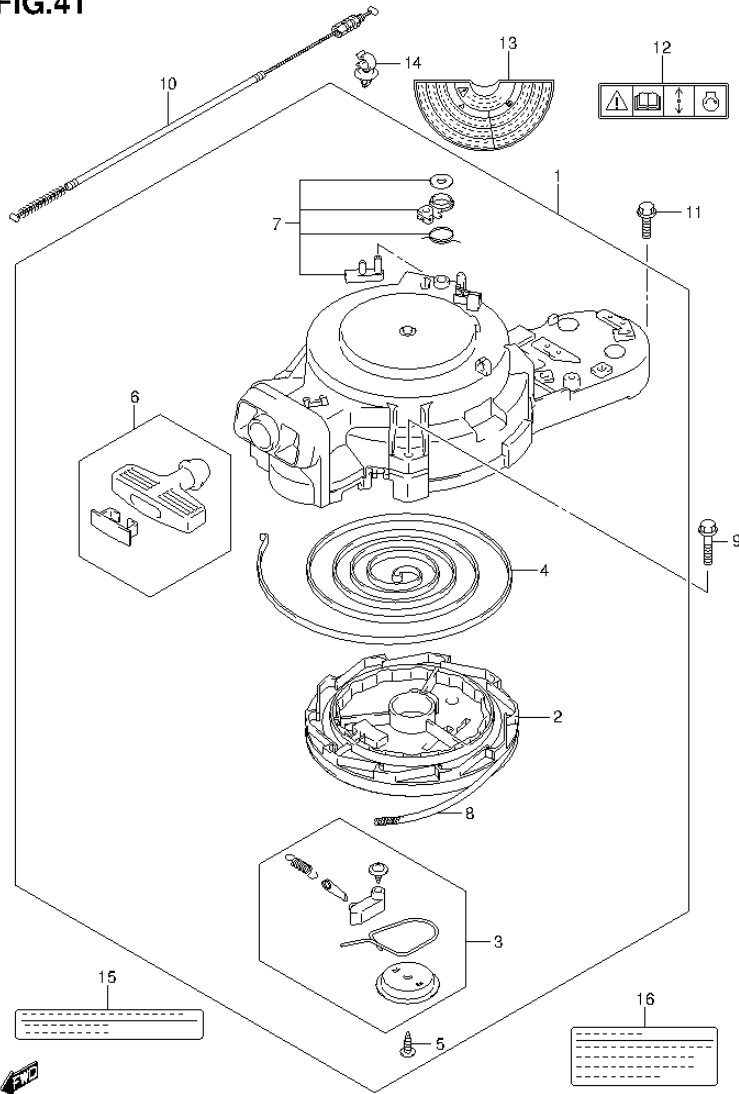


FIG.41 (1-E-7) RECOIL STARTER (DF20AR P01)

REF NO.	PART NO.	DESCRIPTION	Q'TY	REMARKS
1	18100-94JM0	STARTER ASSY, RECOIL	1	
2	18121-94JL0	.REEL	1	
3	18130-93E01	.RATCHET SET	1	
4	18142-93E00	.SPRING, SPIRAL	1	
5	18132-89L00	.SCREW, TAPPING	1	
6	18210-93002	.GRIP ASSY	1	
7	18280-93E00	.NSI SET	1	
8	99000-81158-50M	ROPE	1	OPT L:50000->1200
9	01550-06307	BOLT	3	
10	18290-94J01	CABLE ASSY, NSI	1	
11	01550-06207	BOLT	1	
12	69711-93E10	LABEL (S.I.G.P.)	1	
13	61472-94J10	LABEL, RECOIL STARTER	1	
14	09403-12415	CLAMP	1	
15	61493-94J00	LABEL, CLEARANCE	1	
16	61494-94J00	LABEL, OIL	1	

FIG.42

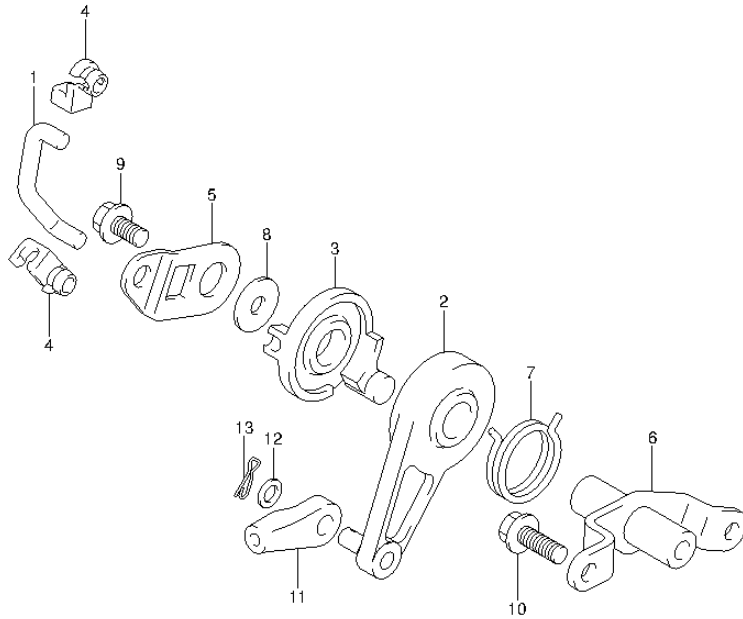


FIG.42 (1-E-8) THROTTLE CONTROL (DF9.9BR P01)

REF NO.	PART NO.	DESCRIPTION	Q'TY	REMARKS
1	13513-89L10	ROD, THROTTLE	1	
2	19120-99J10	LEVER, THROTTLE CONTROL	1	
3	19122-99J00	LEVER, INTERLINK THROTTLE NO.2	1	
4	19131-89L00	CONNECTOR	2	
5	19148-89L10	LEVER, INTERLINK THROTTLE NO.1	1	
6	19150-89L00	BRACKET, THROTTLE LEVER	1	
7	19185-99J00	SPRING, THROTTLE LEVER	1	
8	09160-06046	WASHER (6.5X20X1.5)	1	
9	01550-06127	BOLT	1	
10	01550-06167	BOLT	2	
11	67467-89J01	CONNECTOR	1	
12	09160-06055	WASHER (7X12X1)	1	
13	09385-06012	CLIP	1	



FIG.43

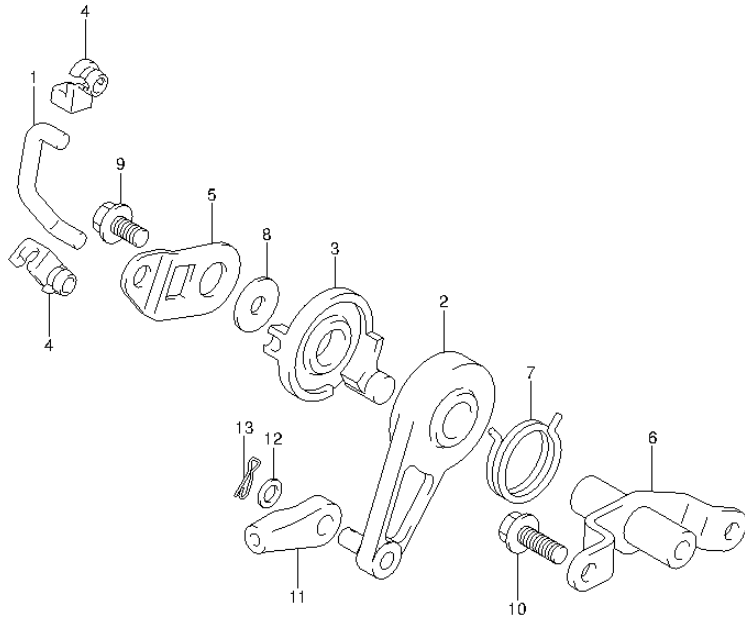


FIG.43 (1-E-9) THROTTLE CONTROL (DF15AR P01)

REF NO.	PART NO.	DESCRIPTION	Q'TY	REMARKS
1	13513-89L10	ROD, THROTTLE	1	
2	19120-99J10	LEVER, THROTTLE CONTROL	1	
3	19122-99J00	LEVER, INTERLINK THROTTLE NO.2	1	
4	19131-89L00	CONNECTOR	2	
5	19148-89L10	LEVER, INTERLINK THROTTLE NO.1	1	
6	19150-89L00	BRACKET, THROTTLE LEVER	1	
7	19185-99J00	SPRING, THROTTLE LEVER	1	
8	09160-06046	WASHER (6.5X20X1.5)	1	
9	01550-06127	BOLT	1	
10	01550-06167	BOLT	2	
11	67467-89J01	CONNECTOR	1	
12	09160-06055	WASHER (7X12X1)	1	
13	09385-06012	CLIP	1	



FIG.44

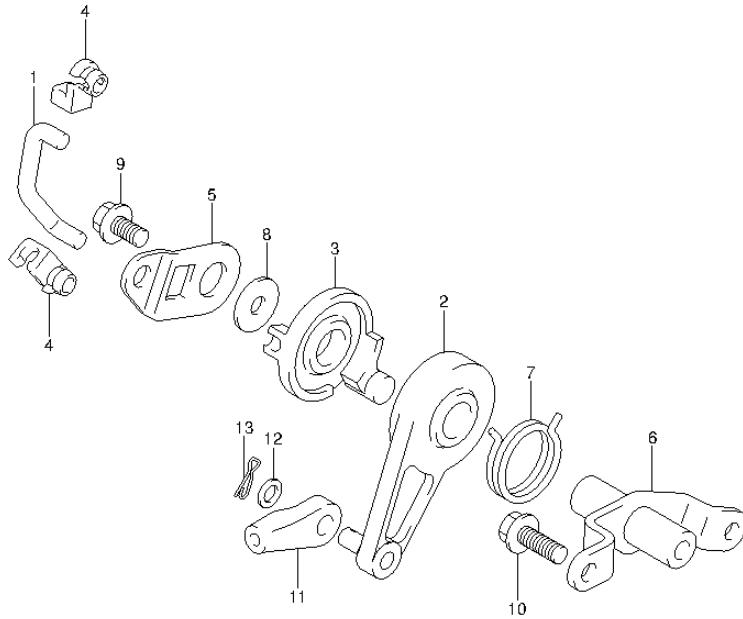


FIG.44 (1-E-10) THROTTLE CONTROL (DF20AR P01)

REF NO.	PART NO.	DESCRIPTION	Q'TY	REMARKS
1	13513-89L10	ROD, THROTTLE	1	
2	19120-99J10	LEVER, THROTTLE CONTROL	1	
3	19122-99J00	LEVER, INTERLINK THROTTLE NO.2	1	
4	19131-89L00	CONNECTOR	2	
5	19148-89L10	LEVER, INTERLINK THROTTLE NO.1	1	
6	19150-89L00	BRACKET, THROTTLE LEVER	1	
7	19185-99J00	SPRING, THROTTLE LEVER	1	
8	09160-06046	WASHER (6.5X20X1.5)	1	
9	01550-06127	BOLT	1	
10	01550-06167	BOLT	2	
11	67467-89J01	CONNECTOR	1	
12	09160-06055	WASHER (7X12X1)	1	
13	09385-06012	CLIP	1	



FIG.45

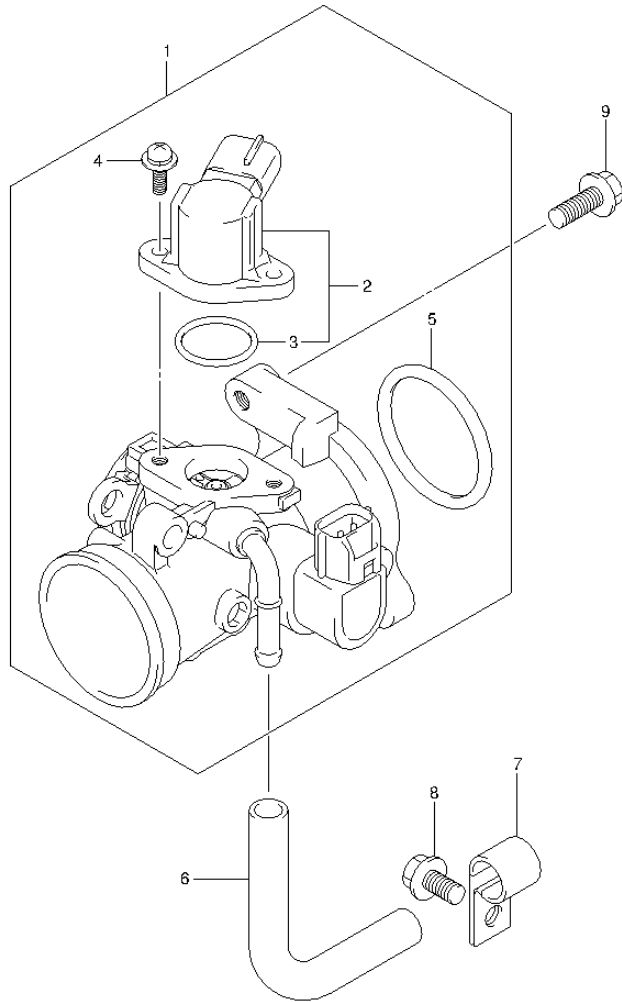


FIG.45 (1-E-11) THROTTLE BODY (DF9.9B P01)

REF NO.	PART NO.	DESCRIPTION	Q'TY	REMARKS
1	13300-89L00	BODY ASSY, THROTTLE	1	
2	13420-16HA0	.SOLENOID ASSY	1	
3	13425-33G00	..O RING	1	
4	13326-89L00	.SCREW	2	
5	13421-89L00	.O RING, FLANGE	1	
6	15211-91J00-130	HOSE, IAC	1	
7	09403-12406	CLAMP	1	
8	01550-06127	BOLT	1	
9	01550-06207	BOLT	2	

FIG.46

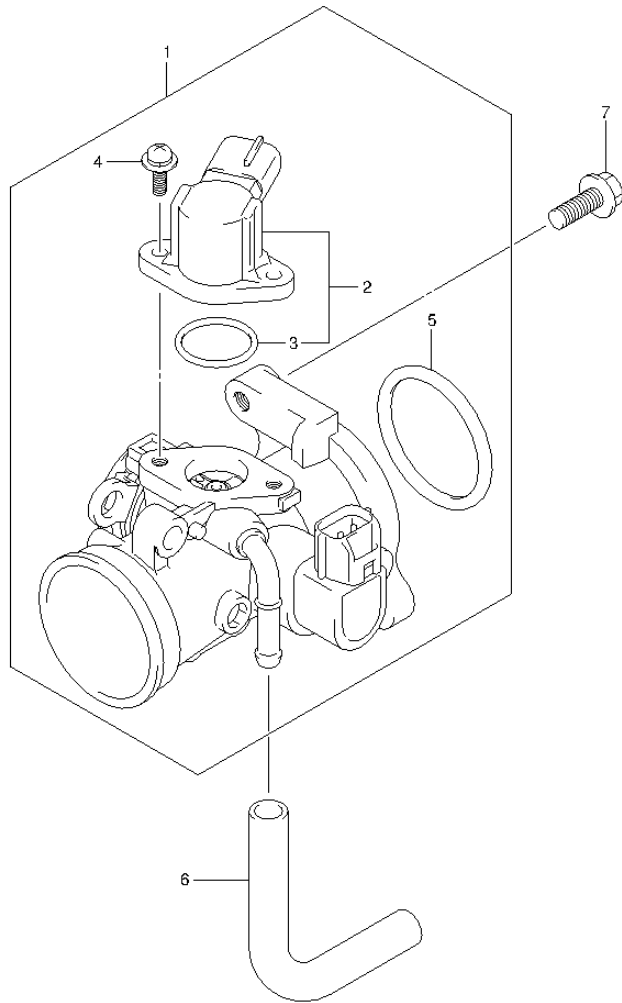


FIG.46 (1-E-12) THROTTLE BODY (DF9.9BR P01)

REF NO.	PART NO.	DESCRIPTION	Q'TY	REMARKS
1	13300-89L10	BODY ASSY, THROTTLE	1	
2	13420-16HA0	.SOLENOID ASSY	1	
3	13425-33G00	..O RING	1	
4	13326-89L00	.SCREW	2	
5	13421-89L00	.O RING, FLANGE	1	
6	15211-91J00-130	HOSE, IAC	1	
7	01550-06207	BOLT	2	

FIG.47

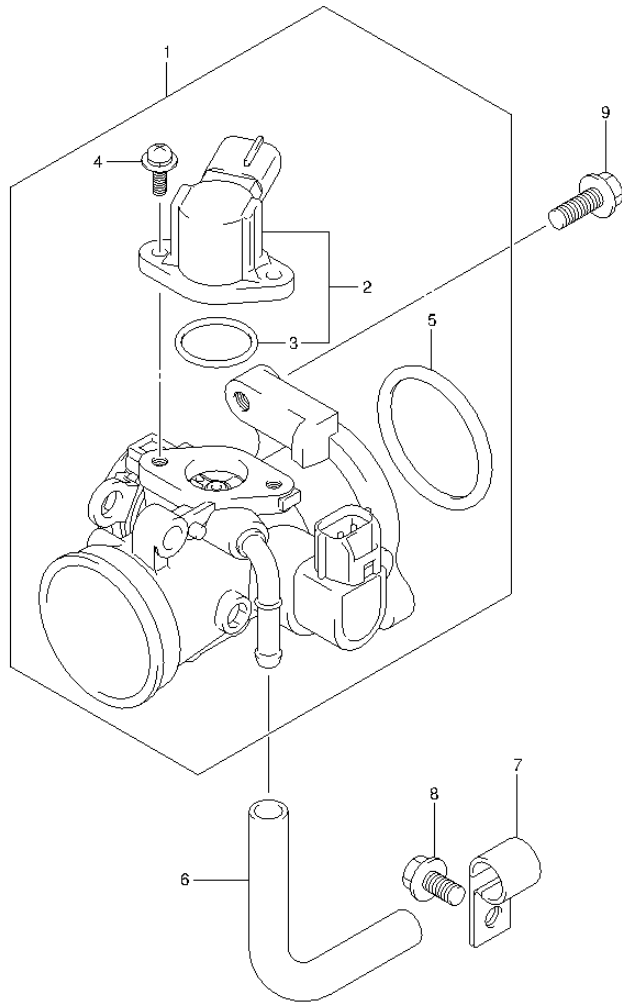


FIG.47 (1-E-13) THROTTLE BODY (DF15A P01)

REF NO.	PART NO.	DESCRIPTION	Q'TY	REMARKS
1	13300-89L00	BODY ASSY, THROTTLE	1	
2	13420-16HA0	.SOLENOID ASSY	1	
3	13425-33G00	..O RING	1	
4	13326-89L00	.SCREW	2	
5	13421-89L00	.O RING, FLANGE	1	
6	15211-91J00-130	HOSE, IAC	1	
7	09403-12406	CLAMP	1	
8	01550-06127	BOLT	1	
9	01550-06207	BOLT	2	

FIG.48

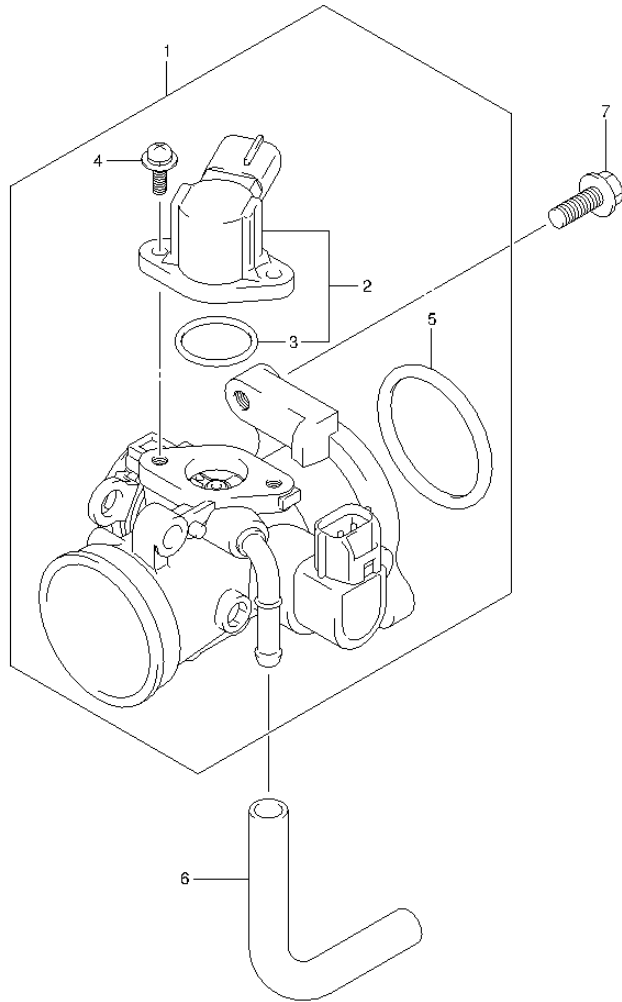


FIG.48 (1-E-14) THROTTLE BODY (DF15AR P01)

REF NO.	PART NO.	DESCRIPTION	Q'TY	REMARKS
1	13300-89L10	BODY ASSY, THROTTLE	1	
2	13420-16HA0	.SOLENOID ASSY	1	
3	13425-33G00	..O RING	1	
4	13326-89L00	.SCREW	2	
5	13421-89L00	.O RING, FLANGE	1	
6	15211-91J00-130	HOSE, IAC	1	
7	01550-06207	BOLT	2	

FIG.49

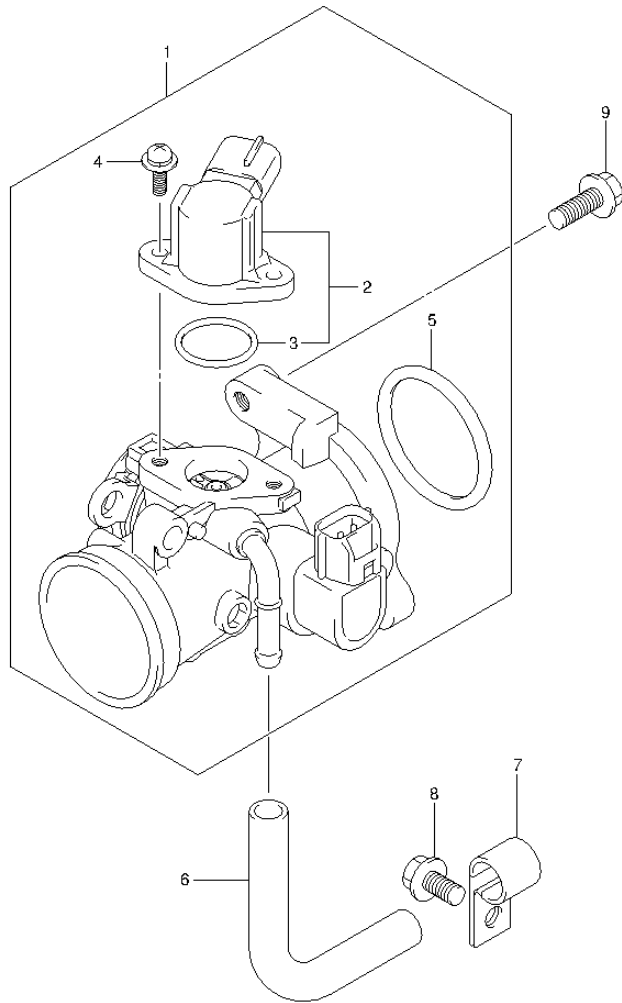


FIG.49 (1-E-15) THROTTLE BODY (DF20A P01)

REF NO.	PART NO.	DESCRIPTION	Q'TY	REMARKS
1	13300-89L00	BODY ASSY, THROTTLE	1	
2	13420-16HA0	.SOLENOID ASSY	1	
3	13425-33G00	..O RING	1	
4	13326-89L00	.SCREW	2	
5	13421-89L00	.O RING, FLANGE	1	
6	15211-91J00-130	HOSE, IAC	1	
7	09403-12406	CLAMP	1	
8	01550-06127	BOLT	1	
9	01550-06207	BOLT	2	

FIG.50

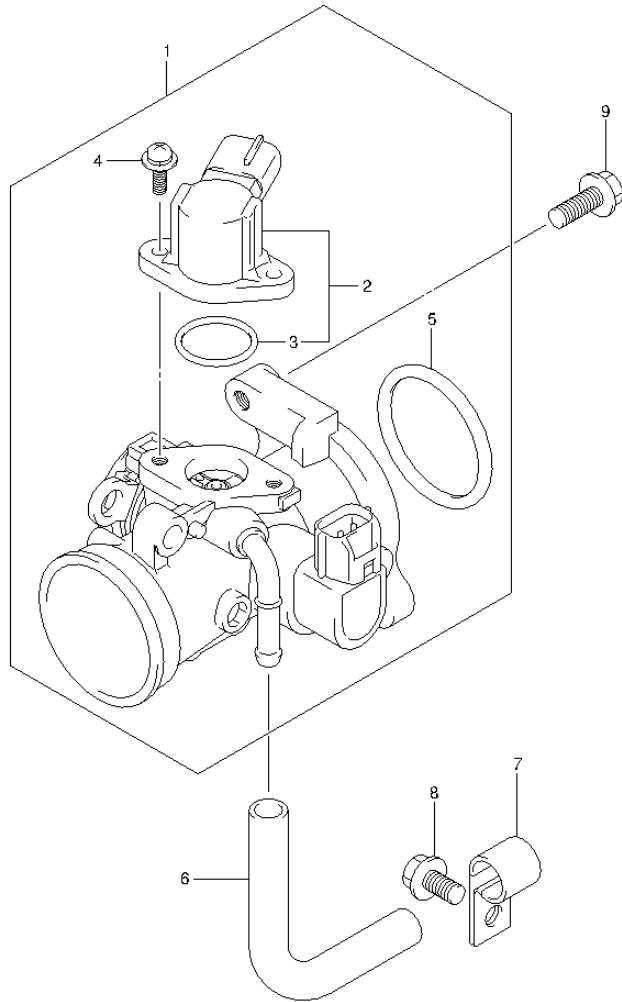


FIG.50 (1-F-2) THROTTLE BODY (DF20A P40)

REF NO.	PART NO.	DESCRIPTION	Q'TY	REMARKS
1	13300-89L00	BODY ASSY, THROTTLE	1	
2	13420-16HA0	.SOLENOID ASSY	1	
3	13425-33G00	..O RING	1	
4	13326-89L00	.SCREW	2	
5	13421-89L00	.O RING, FLANGE	1	
6	15211-91J00-130	HOSE, IAC	1	
7	09403-12406	CLAMP	1	
8	01550-06127	BOLT	1	
9	01550-06207	BOLT	2	

FIG.51

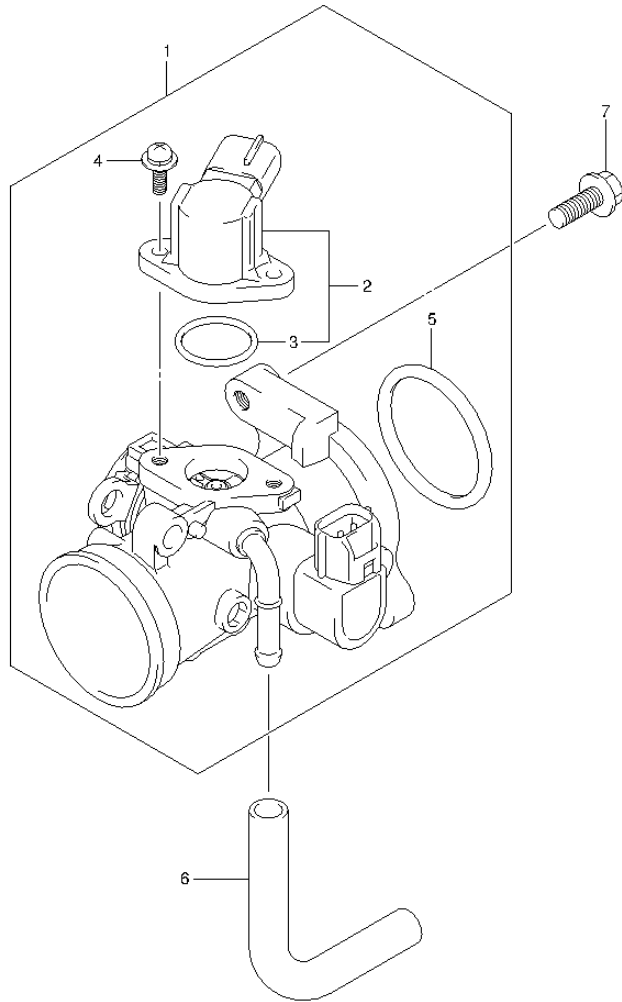


FIG.51 (1-F-3) THROTTLE BODY (DF20AR P01)

REF NO.	PART NO.	DESCRIPTION	Q'TY	REMARKS
1	13300-89L10	BODY ASSY, THROTTLE	1	
2	13420-16HA0	.SOLENOID ASSY	1	
3	13425-33G00	..O RING	1	
4	13326-89L00	.SCREW	2	
5	13421-89L00	.O RING, FLANGE	1	
6	15211-91J00-130	HOSE, IAC	1	
7	01550-06207	BOLT	2	

FIG.52

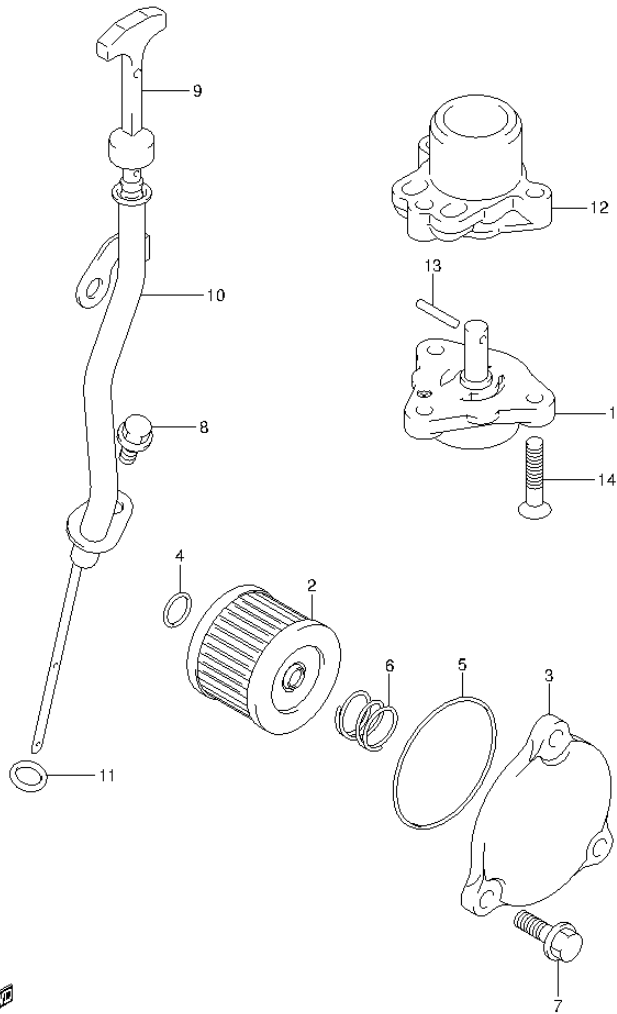


FIG.52 (1-F-4) OIL PUMP

REF NO.	PART NO.	DESCRIPTION	Q'TY	REMARKS
1	16400-89L00	PUMP ASSY, OIL	1	
2	16510-45H10	FILTER, ENGINE OIL	1	
3	16512-99J00	CAP, OIL FILTER	1	
4	09280-13004	O RING (D:1.9,ID:13)	1	
5	09280-54001	O RING (D:2.4,ID:52.6)	1	
6	09440-18002	SPRING	1	
7	01550-06207	BOLT	3	
8	01550-06127	BOLT	1	
9	16910-89L00	GAUGE, OIL LEVEL	1	
10	16930-89L00	GUIDE, OIL LEVEL GAUGE	1	
11	09280-09008	O RING (D:2.1,ID:8.8)	1	
12	16431-89L00	BLOCK, OIL GALLERY	1	
13	59262-94J00	PIN, OIL PUMP	1	
14	02122-0630A	SCREW	3	



FIG.54

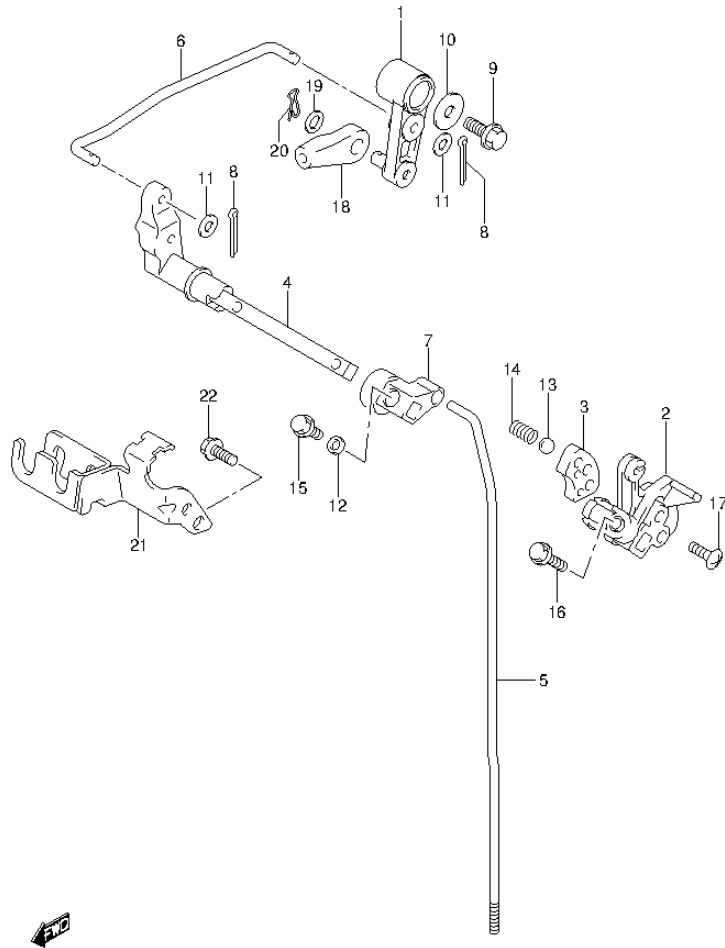


FIG.54 (1-F-6) CLUTCH ROD (DF9.9BR P01)

REF NO.	PART NO.	DESCRIPTION	Q'TY	REMARKS
1	21110-89L10	LEVER, CLUTCH	1	
2	21120-89L00	LEVER, CLUTCH NOTCH	1	
3	21122-89L00	PLATE, CLUTCH NOTCH	1	
4	21210-89L00	SHAFT, CLUTCH LEVER	1	
5-1	23111-89L00	ROD, CLUTCH (S)	1	W/TRANSOM(S)
5-2	23111-89L10	ROD, CLUTCH (L)	1	W/TRANSOM(L)
6	23115-89L10	LINK, CLUTCH LEVER	1	
7	23211-89L00	ARM, CLUTCH ROD	1	
8	09204-01002	PIN	2	
9	01550-06127	BOLT	1	
10	09160-06046	WASHER (6.5X20X1.5)	1	
11	09160-05029	WASHER (5.5X12X0.8)	2	
12	09180-06362	SPACER (6.5X10.5X4)	1	
13	09260-12003	BALL	1	
14	09440-09041	SPRING	1	
15	01550-06127	BOLT	1	
16	01550-06257	BOLT	1	
17	02142-06207	SCREW	2	
18	67467-89J01	CONNECTOR	1	
19	09160-06055	WASHER (7X12X1)	1	
20	09385-06012	CLIP	1	
21	67340-89L00	HOLDER, R/CON CABLE	1	
22	01547-06167	BOLT	2	

FIG.55

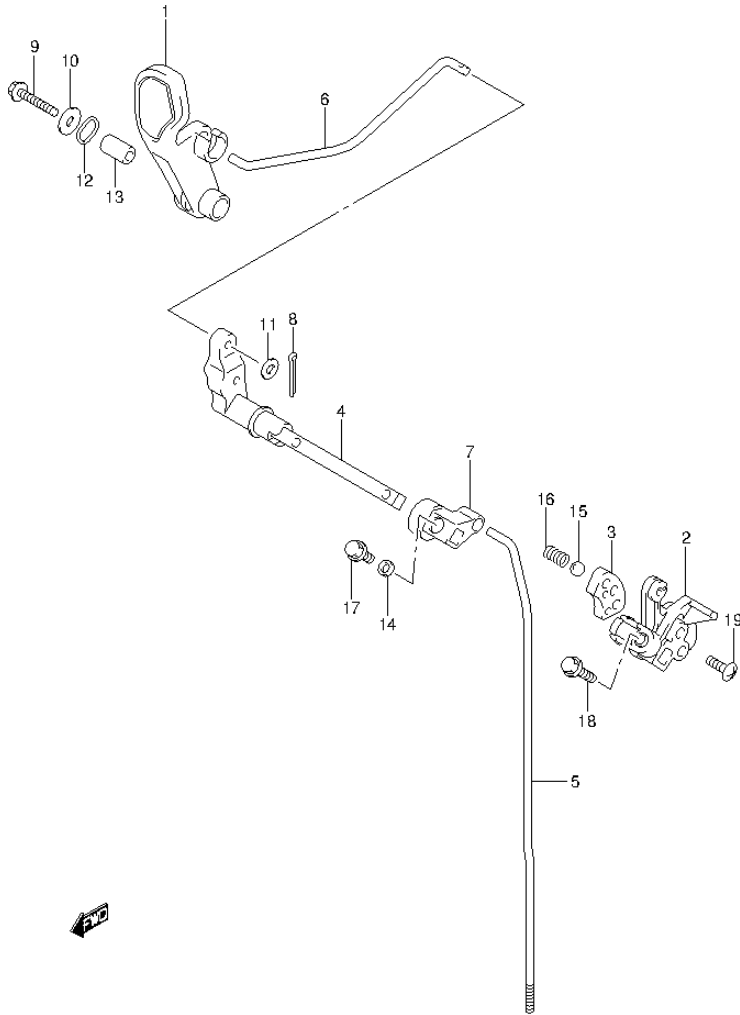


FIG.55 (1-F-7) CLUTCH ROD (DF15A P01)

REF NO.	PART NO.	DESCRIPTION	Q'TY	REMARKS
1	21111-89L00	LEVER, CLUTCH	1	
2	21120-89L00	LEVER, CLUTCH NOTCH	1	
3	21122-89L00	PLATE, CLUTCH NOTCH	1	
4	21210-89L00	SHAFT, CLUTCH LEVER	1	
5-1	23111-89L00	ROD, CLUTCH (S)	1	W/TRANSOM(S)
5-2	23111-89L10	ROD, CLUTCH (L)	1	W/TRANSOM(L)
6	23115-89L00	LINK, CLUTCH LEVER	1	
7	23211-89L00	ARM, CLUTCH ROD	1	
8	09204-01002	PIN	1	
9	09116-06234	BOLT (6X35)	1	
10	09160-06046	WASHER (6.5X20X1.5)	1	
11	09160-06094	WASHER (6.5X15X1.5)	1	
12	09164-14008	WASHER	2	
13	09180-06186	SPACER (6.2X12.6X21)	1	
14	09180-06362	SPACER (6.5X10.5X4)	1	
15	09260-12003	BALL	1	
16	09440-09041	SPRING	1	
17	01550-06127	BOLT	1	
18	01550-06257	BOLT	1	
19	02142-06207	SCREW	2	

FIG.56

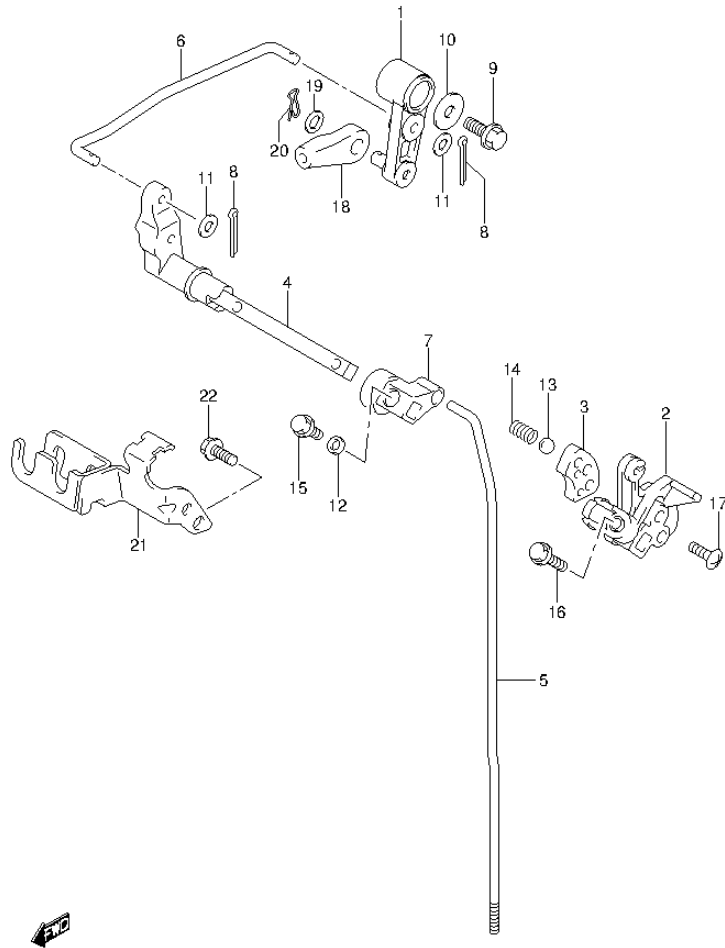


FIG.56 (1-F-8) CLUTCH ROD (DF15AR P01)

REF NO.	PART NO.	DESCRIPTION	Q'TY	REMARKS
1	21110-89L10	LEVER, CLUTCH	1	
2	21120-89L00	LEVER, CLUTCH NOTCH	1	
3	21122-89L00	PLATE, CLUTCH NOTCH	1	
4	21210-89L00	SHAFT, CLUTCH LEVER	1	
5-1	23111-89L00	ROD, CLUTCH (S)	1	W/TRANSOM(S)
5-2	23111-89L10	ROD, CLUTCH (L)	1	W/TRANSOM(L)
6	23115-89L10	LINK, CLUTCH LEVER	1	
7	23211-89L00	ARM, CLUTCH ROD	1	
8	09204-01002	PIN	2	
9	01550-06127	BOLT	1	
10	09160-06046	WASHER (6.5X20X1.5)	1	
11	09160-05029	WASHER (5.5X12X0.8)	2	
12	09180-06362	SPACER (6.5X10.5X4)	1	
13	09260-12003	BALL	1	
14	09440-09041	SPRING	1	
15	01550-06127	BOLT	1	
16	01550-06257	BOLT	1	
17	02142-06207	SCREW	2	
18	67467-89J01	CONNECTOR	1	
19	09160-06055	WASHER (7X12X1)	1	
20	09385-06012	CLIP	1	
21	67340-89L00	HOLDER, R/CON CABLE	1	
22	01547-06167	BOLT	2	

FIG.57

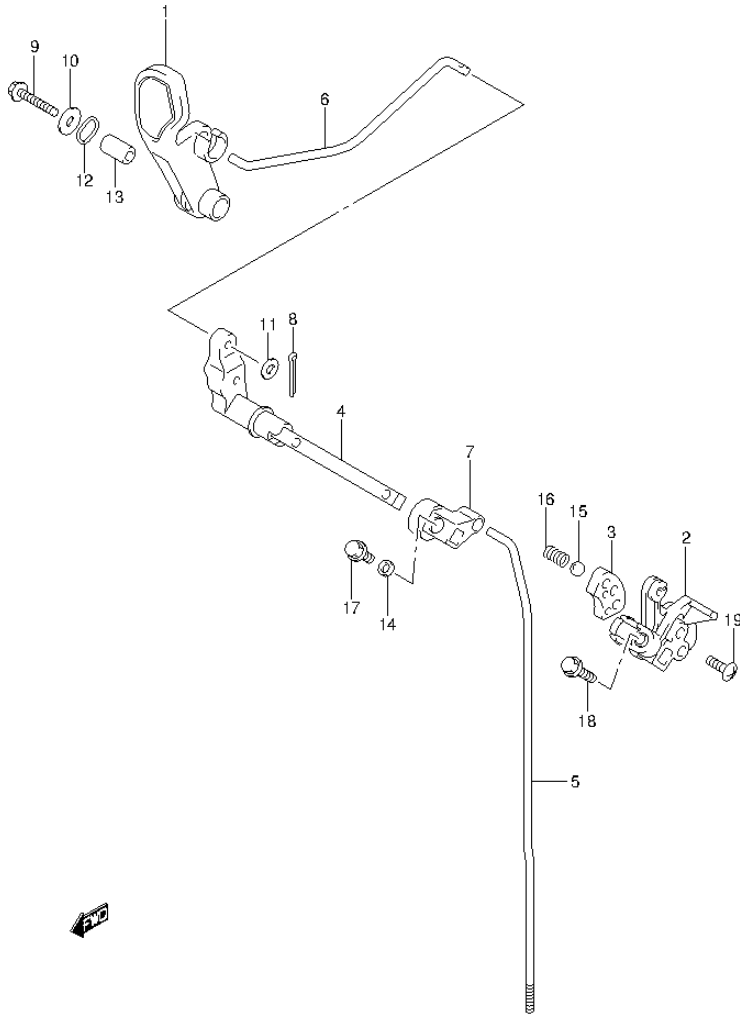


FIG.57 (1-F-9) CLUTCH ROD (DF20A P01)

REF NO.	PART NO.	DESCRIPTION	Q'TY	REMARKS
1	21111-89L00	LEVER, CLUTCH	1	
2	21120-89L00	LEVER, CLUTCH NOTCH	1	
3	21122-89L00	PLATE, CLUTCH NOTCH	1	
4	21210-89L00	SHAFT, CLUTCH LEVER	1	
5-1	23111-89L00	ROD, CLUTCH (S)	1	W/TRANSOM(S)
5-2	23111-89L10	ROD, CLUTCH (L)	1	W/TRANSOM(L)
6	23115-89L00	LINK, CLUTCH LEVER	1	
7	23211-89L00	ARM, CLUTCH ROD	1	
8	09204-01002	PIN	1	
9	09116-06234	BOLT (6X35)	1	
10	09160-06046	WASHER (6.5X20X1.5)	1	
11	09160-06094	WASHER (6.5X15X1.5)	1	
12	09164-14008	WASHER	2	
13	09180-06186	SPACER (6.2X12.6X21)	1	
14	09180-06362	SPACER (6.5X10.5X4)	1	
15	09260-12003	BALL	1	
16	09440-09041	SPRING	1	
17	01550-06127	BOLT	1	
18	01550-06257	BOLT	1	
19	02142-06207	SCREW	2	

FIG.58

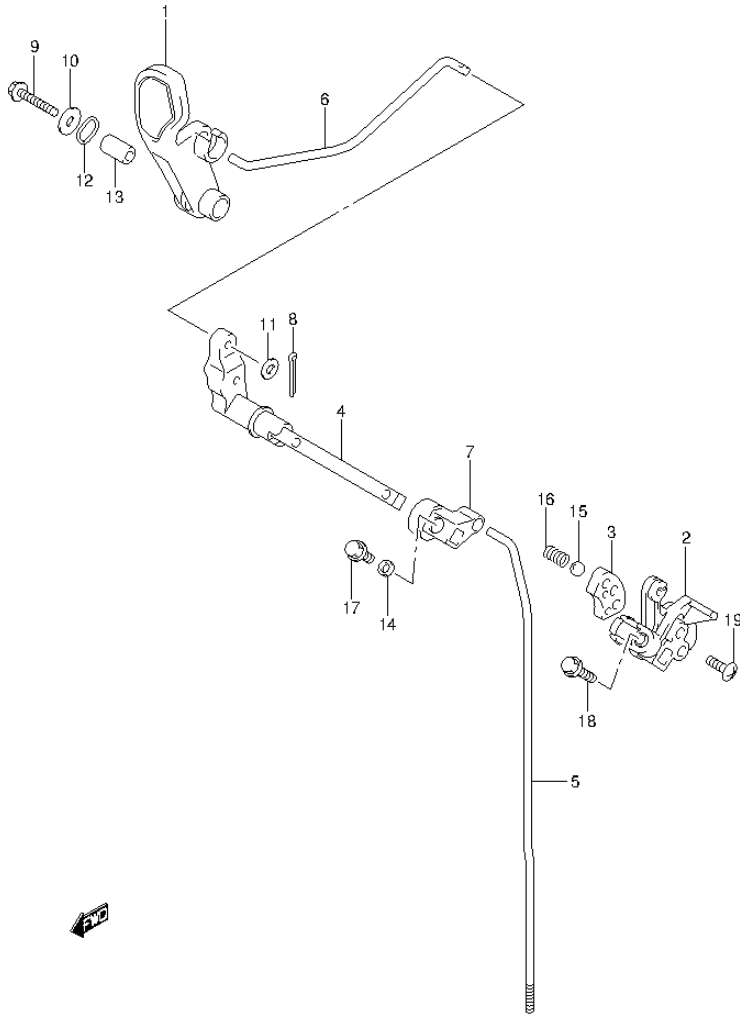


FIG.58 (1-F-10) CLUTCH ROD (DF20A P40)

REF NO.	PART NO.	DESCRIPTION	Q'TY	REMARKS
1	21111-89L00	LEVER, CLUTCH	1	
2	21120-89L00	LEVER, CLUTCH NOTCH	1	
3	21122-89L00	PLATE, CLUTCH NOTCH	1	
4	21210-89L00	SHAFT, CLUTCH LEVER	1	
5-1	23111-89L00	ROD, CLUTCH (S)	1	W/TRANSOM(S)
5-2	23111-89L10	ROD, CLUTCH (L)	1	W/TRANSOM(L)
6	23115-89L00	LINK, CLUTCH LEVER	1	
7	23211-89L00	ARM, CLUTCH ROD	1	
8	09204-01002	PIN	1	
9	09116-06234	BOLT (6X35)	1	
10	09160-06046	WASHER (6.5X20X1.5)	1	
11	09160-06094	WASHER (6.5X15X1.5)	1	
12	09164-14008	WASHER	2	
13	09180-06186	SPACER (6.2X12.6X21)	1	
14	09180-06362	SPACER (6.5X10.5X4)	1	
15	09260-12003	BALL	1	
16	09440-09041	SPRING	1	
17	01550-06127	BOLT	1	
18	01550-06257	BOLT	1	
19	02142-06207	SCREW	2	

FIG.59

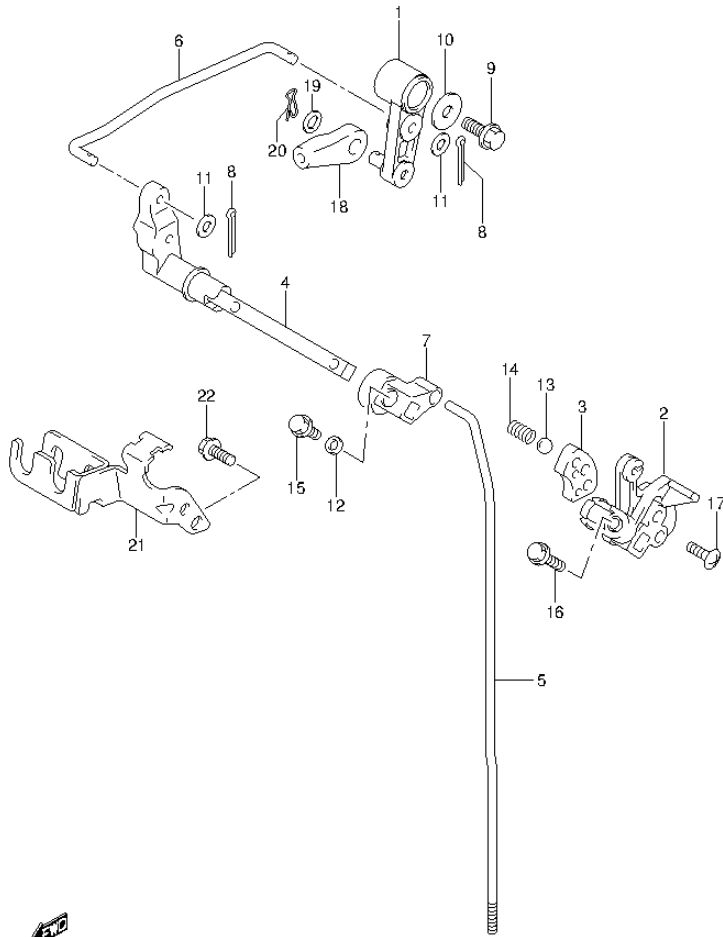


FIG.59 (1-F-11) CLUTCH ROD (DF20AR P01)

REF NO.	PART NO.	DESCRIPTION	Q'TY	REMARKS
1	21110-89L10	LEVER, CLUTCH	1	
2	21120-89L00	LEVER, CLUTCH NOTCH	1	
3	21122-89L00	PLATE, CLUTCH NOTCH	1	
4	21210-89L00	SHAFT, CLUTCH LEVER	1	
5-1	23111-89L00	ROD, CLUTCH (S)	1	W/TRANSOM(S)
5-2	23111-89L10	ROD, CLUTCH (L)	1	W/TRANSOM(L)
6	23115-89L10	LINK, CLUTCH LEVER	1	
7	23211-89L00	ARM, CLUTCH ROD	1	
8	09204-01002	PIN	2	
9	01550-06127	BOLT	1	
10	09160-06046	WASHER (6.5X20X1.5)	1	
11	09160-05029	WASHER (5.5X12X0.8)	2	
12	09180-06362	SPACER (6.5X10.5X4)	1	
13	09260-12003	BALL	1	
14	09440-09041	SPRING	1	
15	01550-06127	BOLT	1	
16	01550-06257	BOLT	1	
17	02142-06207	SCREW	2	
18	67467-89J01	CONNECTOR	1	
19	09160-06055	WASHER (7X12X1)	1	
20	09385-06012	CLIP	1	
21	67340-89L00	HOLDER, R/CON CABLE	1	
22	01547-06167	BOLT	2	

FIG.60

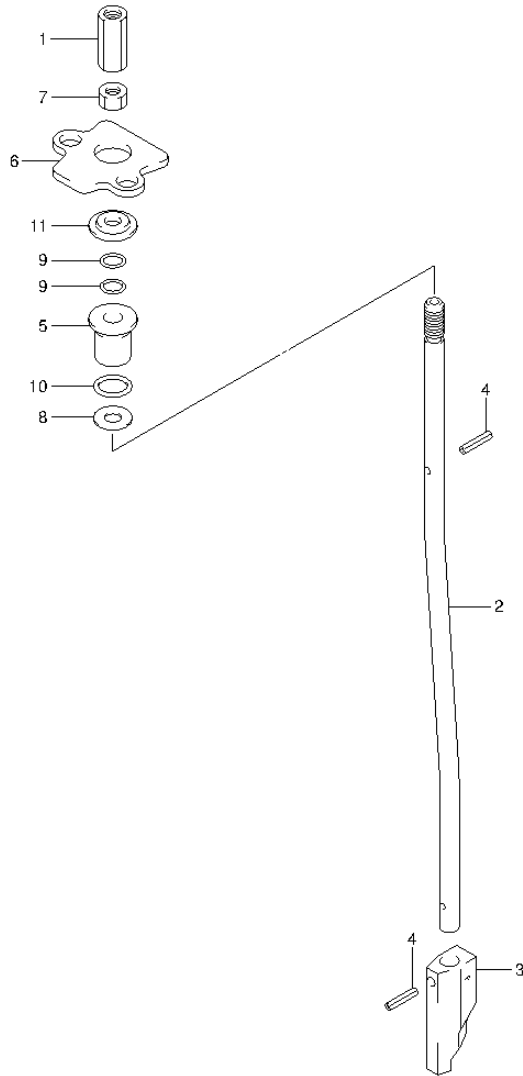


FIG.60 (1-F-12) SHIFT ROD

REF NO.	PART NO.	DESCRIPTION	Q'TY	REMARKS
1	23311-95J00	CONNECTOR, CLUTCH ROD	1	
2	25111-99J00	ROD, SHIFT	1	
3	25311-99J00	CAM, SHIFT	1	
4	09205-02004	SPRING PIN (2.5X12)	2	
5	25211-99JL0	GUIDE, SHIFT ROD	1	
6	25215-99J00	STOPPER, SHIFT ROD GUIDE	1	
7	29141-93J00	NUT, CLUTCH ROD (M6)	1	
8	09160-06082	WASHER (6.5X13X1.0)	1	
9	09280-06012	O RING (D:1.7,ID:5.8)	2	
10	09280-09012	O RING (D:2.3,ID:9)	1	
11	09289-06L02	DUST SEAL (5X17X3.5)	1	

FIG.61

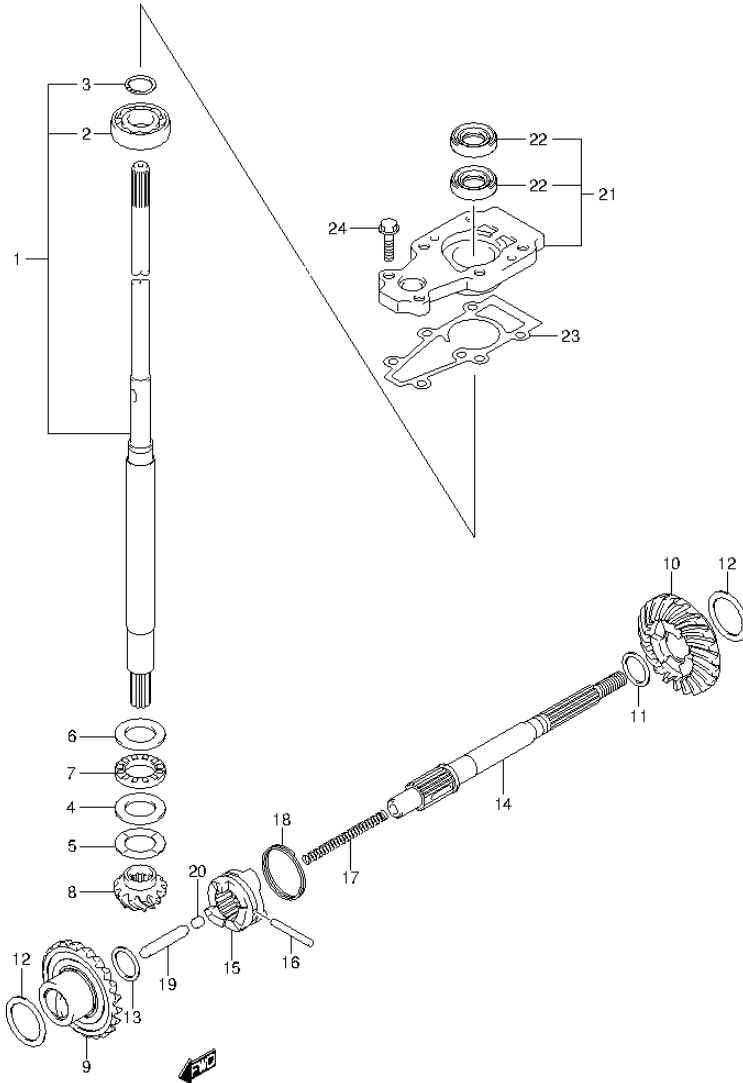


FIG.61 (1-F-13) TRANSMISSION

REF NO.	PART NO.	DESCRIPTION	Q'TY	REMARKS
1-1	57100-90L40	SHAFT ASSY, DRIVE (S)	1	W/TRANSOM(S)
1-2	57100-90L30	SHAFT ASSY, DRIVE (L)	1	W/TRANSOM(L)
2	08110-60020	.BEARING	1	
3	09380-15001	.SNAP RING	1	
4	09160-20027	WASHER (20X35X2.75)	1	
5-1	09181-20251	SHIM (T:1.0)	1	
5-2	09160-20042	SHIM (T:1.1)	1	
5-3	09160-20043	SHIM (T:1.2)	1	
5-4	09160-20044	SHIM (T:1.3)	1	
5-5	09181-20244	SHIM (T:0.7)	1	
5-6	09181-20246	SHIM (T:0.8)	1	
5-7	09181-20248	SHIM (T:0.9)	1	
6	09160-21009	WASHER (21X35X2.75)	1	
7	09263-20L04	BEARING (20X35X4.5)	1	
8	57311-99J10	PINION	1	
9	57510-99J10	GEAR, FORWARD (NT:25)	1	
10	57521-99J10	GEAR, REVERSE (NT:25)	1	
11-1	09160-17024	WASHER (T:1.1)	1	
11-2	09160-17039	WASHER (T:1.2)	1	
11-3	09160-17025	WASHER (T:1.3)	1	
11-4	09160-17040	WASHER (T:1.4)	1	
11-5	09160-17026	WASHER (T:1.5)	1	
11-6	09160-17041	WASHER (T:1.6)	1	
11-7	09160-17027	WASHER (T:1.7)	1	
11-8	09160-17042	WASHER (T:1.8)	1	
11-9	09160-17028	WASHER (T:1.9)	1	
12-1	09181-25160	SHIM (T:0.7)	2	
12-2	09181-25162	SHIM (T:0.8)	2	
12-3	09181-25164	SHIM (T:0.9)	2	
12-4	09160-25040	WASHER (T:1.0)	2	
12-5	09160-25041	WASHER (T:1.1)	2	
12-6	09160-25042	WASHER (T:1.2)	2	
12-7	09181-25181	SHIM (T:1.3)	2	
13	09181-15241	WASHER (15X22X2)	1	

FIG.61

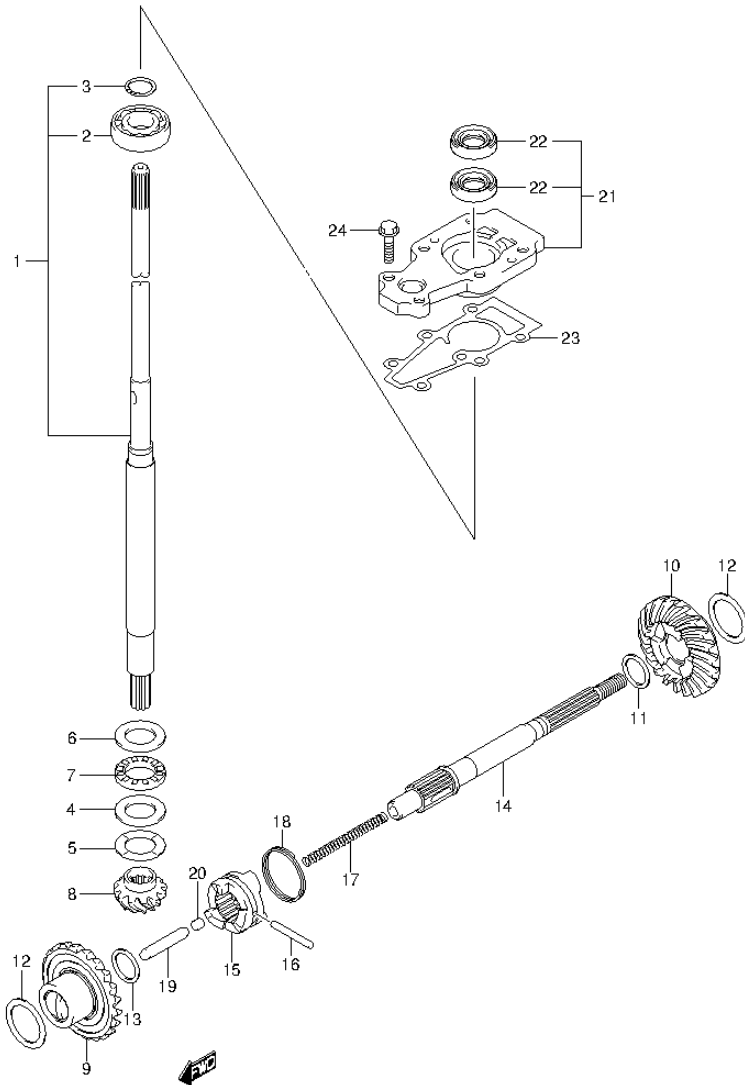


FIG.61 (1-F-14) TRANSMISSION

REF NO.	PART NO.	DESCRIPTION	Q'TY	REMARKS
14	57610-99JL0	SHAFT, PROPELLER	1	
15	57621-99J11	SHIFTER, CLUTCH DOG	1	
16	09202-04025	PIN (4X31)	1	
17	59441-94J00	SPRING, RETURN	1	
18	59441-99J00	SPRING, DOG	1	
19	57631-93901	ROD, PUSH	1	
20	57632-98501	PIN (6X6)	1	
21	56130-99J30	HOUSING, DRIVE SHAFT	1	
22	09282-13L01	.OIL SEAL (12.5X25X7)	2	
23	56132-99J10	GASKET, DRIVE SHAFT BRG HSG	1	
24	09116-06229	BOLT (6X25)	2	

FIG.62

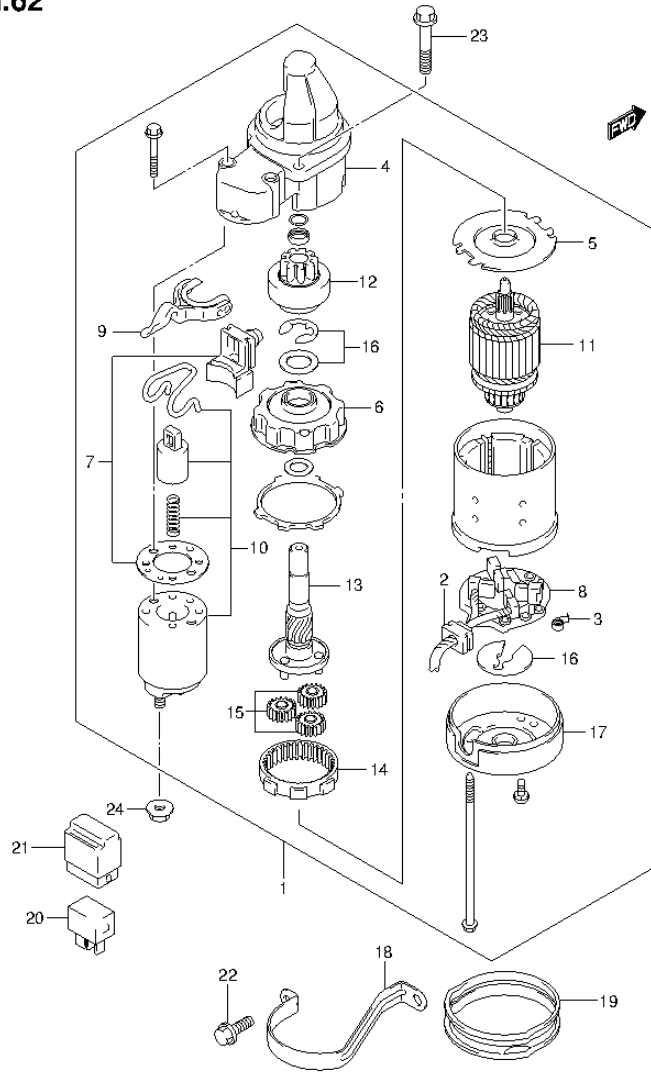


FIG.62 (1-F-15) STARTING MOTOR (ELECTRIC STARTER)

REF NO.	PART NO.	DESCRIPTION	Q'TY	REMARKS
1	31100-94J21	STARTING MOTOR	1	
2	31131-94J00	.BRUSH SET, PLUS	1	
3	31135-90J00	.SPRING	4	
4	31151-94J00	.CASE, GEAR	1	
5	31152-90J00	.PLATE, CENTER	1	
6	31153-90J00	.BRACKET, PLANET GEAR	1	
7	31171-96J00	.COVER KIT, DUST	1	
8	31173-94J00	.HOLDER ASSY, BRUSH	1	
9	31191-96J00	.LEVER, SHIFT	1	
10	31220-94J00	.SWITCH, MAGNET	1	
11	31310-90J00	.ARMATURE	1	
12	31320-94J00	.PINION	1	
13	31341-94J00	.SHAFT, PINION	1	
14	31343-90J00	.INTERNAL GEAR	1	
15	31344-90J00	.GEAR, PLANETARY	3	
16	31360-93J01	.WASHER SET	1	
17	31170-94J00	.COVER ASSY, STATER MOTOR REAR	1	
18	31912-89L00	BAND, STARTING MOTOR	1	
19	31918-94J00	DAMPER, LOWER	1	
20	38860-76F01	RELAY, STARTING MOTOR	1	
21	38915-90J00	HOLDER, RELAY	1	
22	01550-08207	BOLT	2	LOWER
23	01550-08257	BOLT	2	
24	08316-10087	NUT	1	

FIG.63

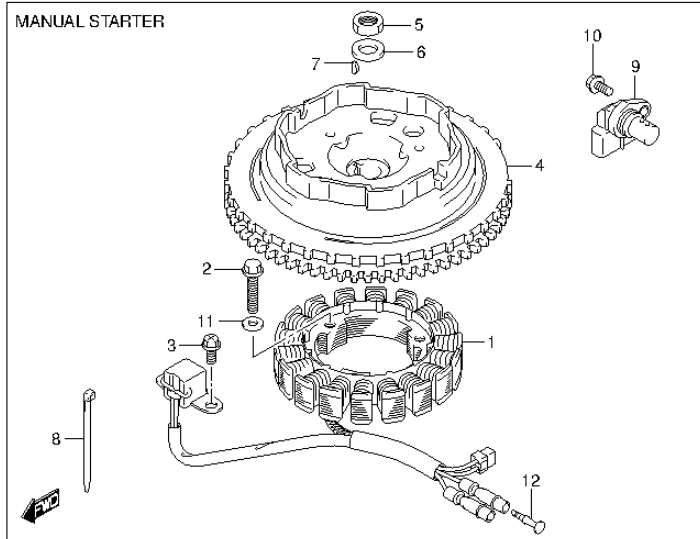
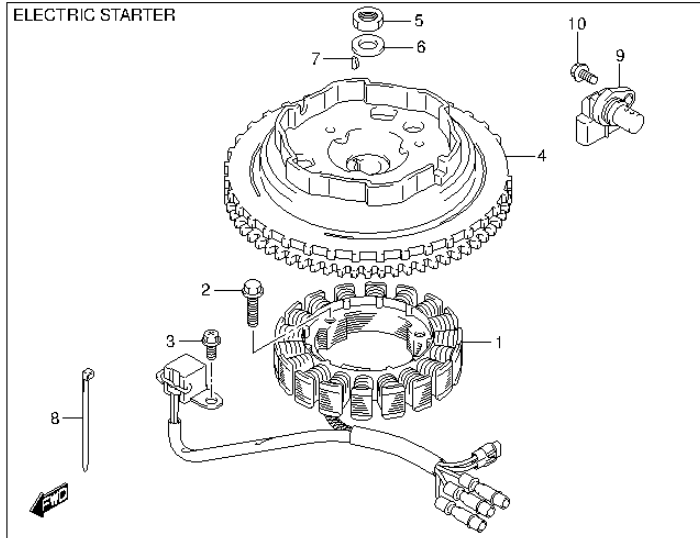


FIG.63 (1-G-2) MAGNETO (DF9.9B P01)

REF NO.	PART NO.	DESCRIPTION	Q'TY	REMARKS
1-1	32120-89L00	COIL, STATOR & PULSER	1	W/ELECTRIC SATRTER
1-2	32120-89L10	COIL, STATOR & PULSER	1	W/MANUAL STARTER
2-1	01547-0625A	BOLT	3	W/ELECTRIC SATRTER
2-2	01547-0630A	BOLT	3	W/MANUAL STARTER
3	02162-05127	SCREW	2	
4-1	32102-89L00	FLYWHEEL	1	W/ELECTRIC SATRTER
4-2	32102-89L10	FLYWHEEL	1	W/MANUAL STARTER
5	09140-14008	NUT	1	
6	09160-15057	WASHER (15X27X4)	1	
7	08341-31039	KEY	1	
8-1	09407-14407	CLAMP (L:145)	7	W/MANUAL STARTER
8-2	09407-14407	CLAMP (L:145)	8	W/ELECTRIC SATRTER
9	33220-89L00	SENSOR ASSY CMP	1	
10	01550-06167	BOLT	1	
11	08322-0106A	WASHER	3	W/MANUAL STARTER
12	36615-96300	TERMINAL, RESIN	2	W/MANUAL STARTER

FIG.64

FIG.64 (1-G-3) MAGNETO (DF9.9BR P01)

REF NO.	PART NO.	DESCRIPTION	Q'TY	REMARKS
1	32120-89L00	COIL, STATOR & PULSER	1	
2	01547-0625A	BOLT	3	
3	02162-05127	SCREW	2	
4	32102-89L00	FLYWHEEL	1	
5	09140-14008	NUT	1	
6	09160-15057	WASHER (15X27X4)	1	
7	08341-31039	KEY	1	
8	09407-14407	CLAMP (L:145)	8	
9	33220-89L00	SENSOR ASSY CMP	1	
10	01550-06167	BOLT	1	

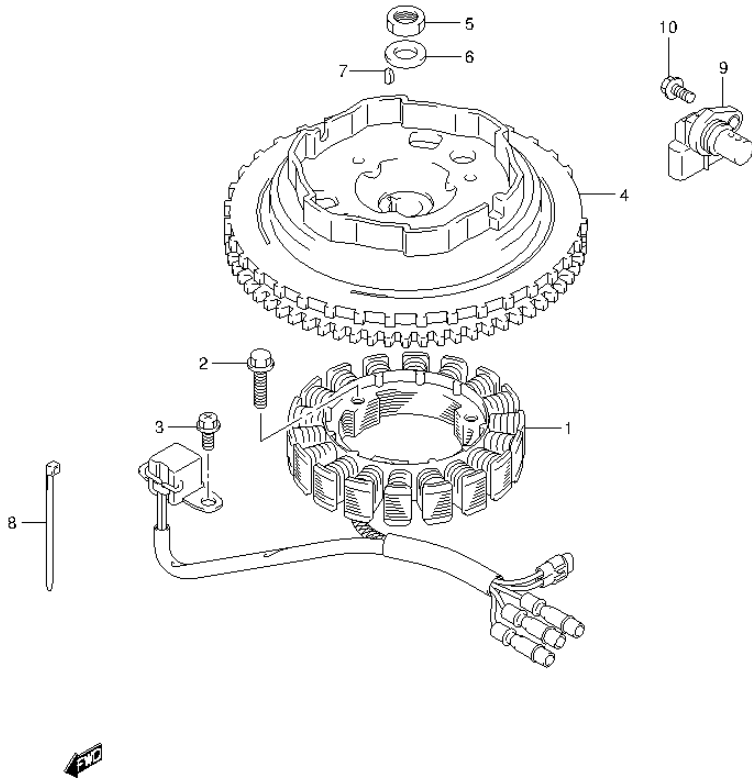


FIG.65

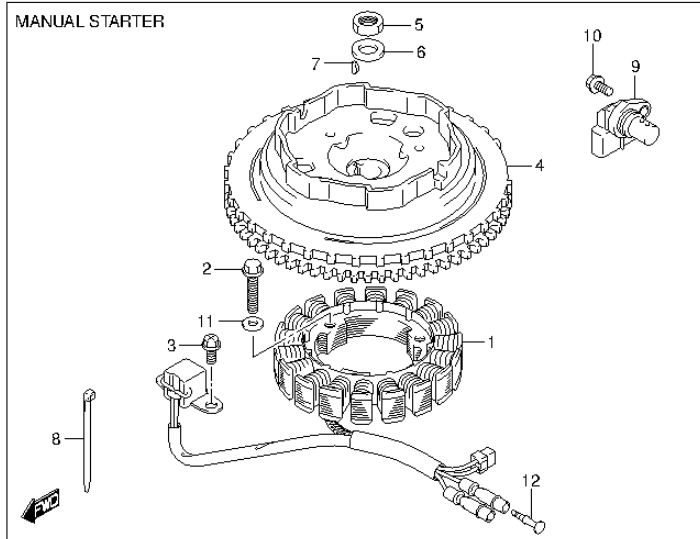
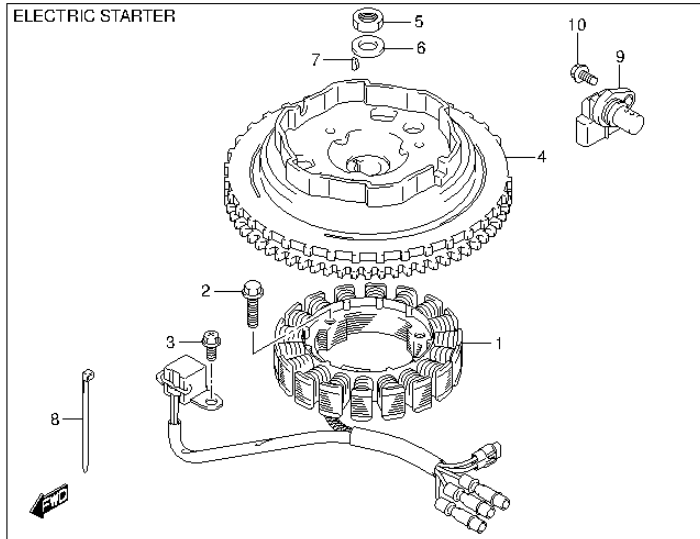


FIG.65 (1-G-4) MAGNETO (DF15A P01)

REF NO.	PART NO.	DESCRIPTION	Q'TY	REMARKS
1-1	32120-89L00	COIL, STATOR & PULSER	1	W/ELECTRIC SATRTER
1-2	32120-89L10	COIL, STATOR & PULSER	1	W/MANUAL STARTER
2-1	01547-0625A	BOLT	3	W/ELECTRIC SATRTER
2-2	01547-0630A	BOLT	3	W/MANUAL STARTER
3	02162-05127	SCREW	2	
4-1	32102-89L00	FLYWHEEL	1	W/ELECTRIC SATRTER
4-2	32102-89L10	FLYWHEEL	1	W/MANUAL STARTER
5	09140-14008	NUT	1	
6	09160-15057	WASHER (15X27X4)	1	
7	08341-31039	KEY	1	
8-1	09407-14407	CLAMP (L:145)	7	W/MANUAL STARTER
8-2	09407-14407	CLAMP (L:145)	8	W/ELECTRIC SATRTER
9	33220-89L00	SENSOR ASSY CMP	1	
10	01550-06167	BOLT	1	
11	08322-0106A	WASHER	3	W/MANUAL STARTER
12	36615-96300	TERMINAL, RESIN	2	W/MANUAL STARTER

FIG.66

FIG.66 (1-G-5) MAGNETO (DF15AR P01)

REF NO.	PART NO.	DESCRIPTION	Q'TY	REMARKS
1	32120-89L00	COIL, STATOR & PULSER	1	
2	01547-0625A	BOLT	3	
3	02162-05127	SCREW	2	
4	32102-89L00	FLYWHEEL	1	
5	09140-14008	NUT	1	
6	09160-15057	WASHER (15X27X4)	1	
7	08341-31039	KEY	1	
8	09407-14407	CLAMP (L:145)	8	
9	33220-89L00	SENSOR ASSY CMP	1	
10	01550-06167	BOLT	1	

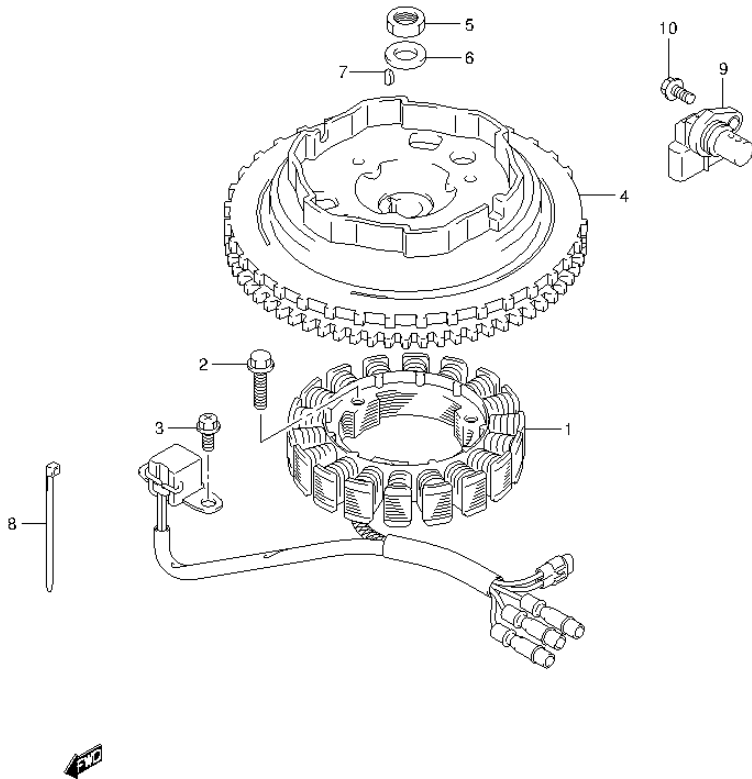


FIG.67

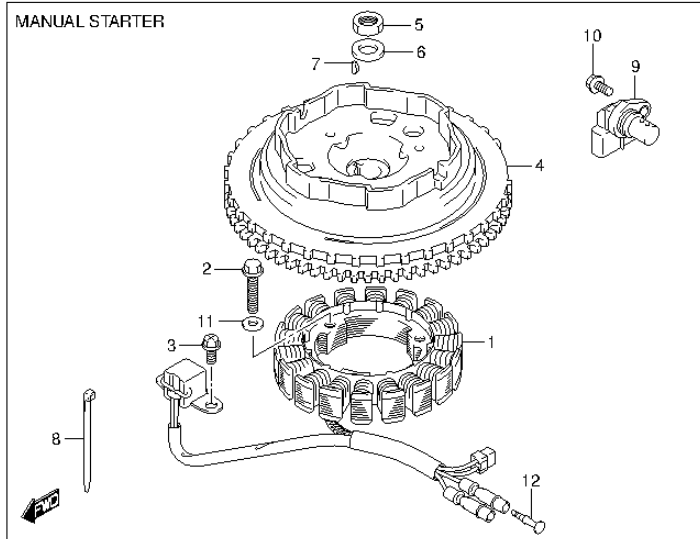
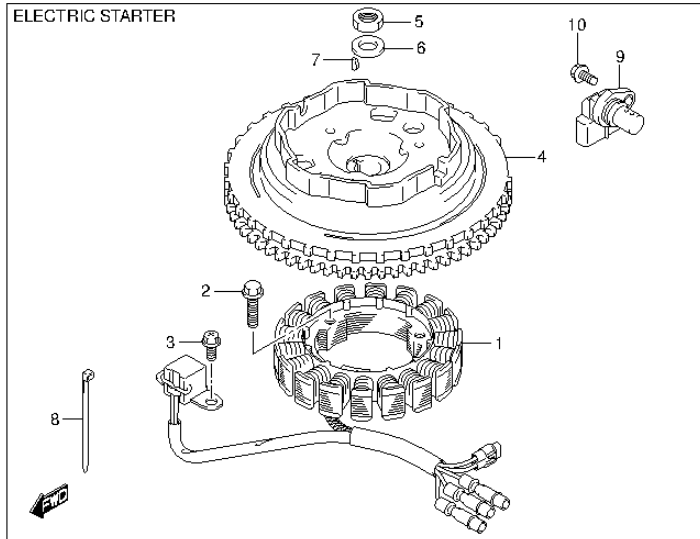


FIG.67 (1-G-6) MAGNETO (DF20A P01)

REF NO.	PART NO.	DESCRIPTION	Q'TY	REMARKS
1-1	32120-89L00	COIL, STATOR & PULSER	1	W/ELECTRIC SATRTER
1-2	32120-89L10	COIL, STATOR & PULSER	1	W/MANUAL STARTER
2-1	01547-0625A	BOLT	3	W/ELECTRIC SATRTER
2-2	01547-0630A	BOLT	3	W/MANUAL STARTER
3	02162-05127	SCREW	2	
4-1	32102-89L00	FLYWHEEL	1	W/ELECTRIC SATRTER
4-2	32102-89L10	FLYWHEEL	1	W/MANUAL STARTER
5	09140-14008	NUT	1	
6	09160-15057	WASHER (15X27X4)	1	
7	08341-31039	KEY	1	
8-1	09407-14407	CLAMP (L:145)	7	W/MANUAL STARTER
8-2	09407-14407	CLAMP (L:145)	8	W/ELECTRIC SATRTER
9	33220-89L00	SENSOR ASSY CMP	1	
10	01550-06167	BOLT	1	
11	08322-0106A	WASHER	3	W/MANUAL STARTER
12	36615-96300	TERMINAL, RESIN	2	W/MANUAL STARTER

FIG.68

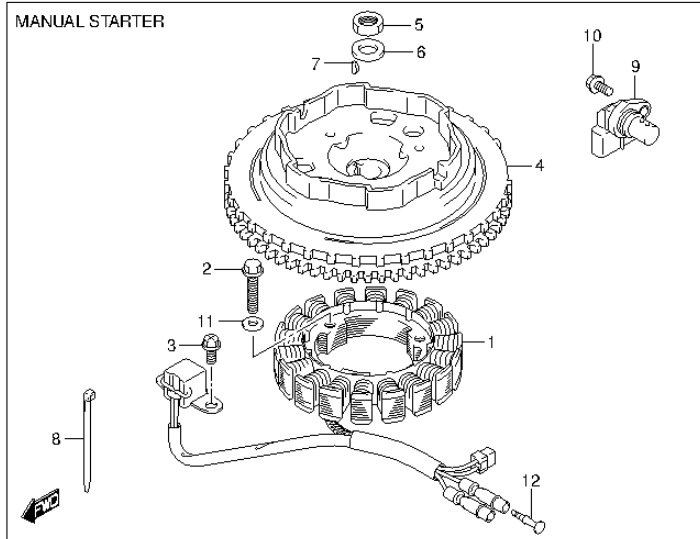
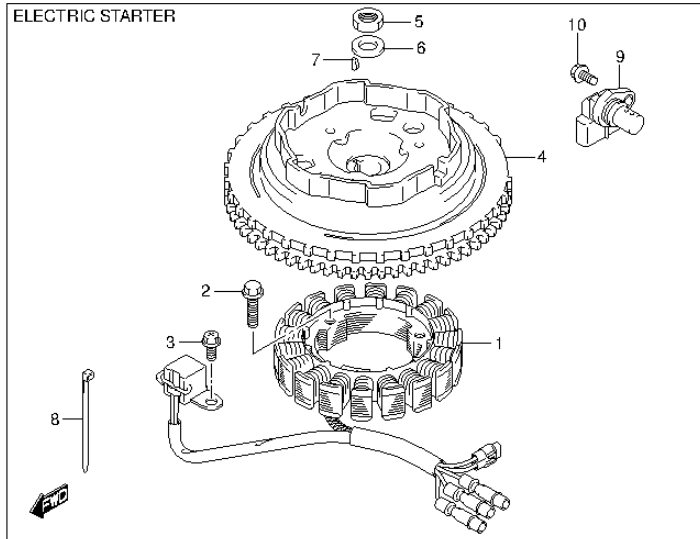


FIG.68 (1-G-7) MAGNETO (DF20A P40)

REF NO.	PART NO.	DESCRIPTION	Q'TY	REMARKS
1-1	32120-89L00	COIL, STATOR & PULSER	1	W/ELECTRIC SATRTER
1-2	32120-89L10	COIL, STATOR & PULSER	1	W/MANUAL STARTER
2-1	01547-0625A	BOLT	3	W/ELECTRIC SATRTER
2-2	01547-0630A	BOLT	3	W/MANUAL STARTER
3	02162-05127	SCREW	2	
4-1	32102-89L00	FLYWHEEL	1	W/ELECTRIC SATRTER
4-2	32102-89L10	FLYWHEEL	1	W/MANUAL STARTER
5	09140-14008	NUT	1	
6	09160-15057	WASHER (15X27X4)	1	
7	08341-31039	KEY	1	
8-1	09407-14407	CLAMP (L:145)	7	W/MANUAL STARTER
8-2	09407-14407	CLAMP (L:145)	8	W/ELECTRIC SATRTER
9	33220-89L00	SENSOR ASSY CMP	1	
10	01550-06167	BOLT	1	
11	08322-0106A	WASHER	3	W/MANUAL STARTER
12	36615-96300	TERMINAL, RESIN	2	W/MANUAL STARTER

FIG.69

FIG.69 (1-G-8) MAGNETO (DF20AR P01)

REF NO.	PART NO.	DESCRIPTION	Q'TY	REMARKS
1	32120-89L00	COIL, STATOR & PULSER	1	
2	01547-0625A	BOLT	3	
3	02162-05127	SCREW	2	
4	32102-89L00	FLYWHEEL	1	
5	09140-14008	NUT	1	
6	09160-15057	WASHER (15X27X4)	1	
7	08341-31039	KEY	1	
8	09407-14407	CLAMP (L:145)	8	
9	33220-89L00	SENSOR ASSY CMP	1	
10	01550-06167	BOLT	1	

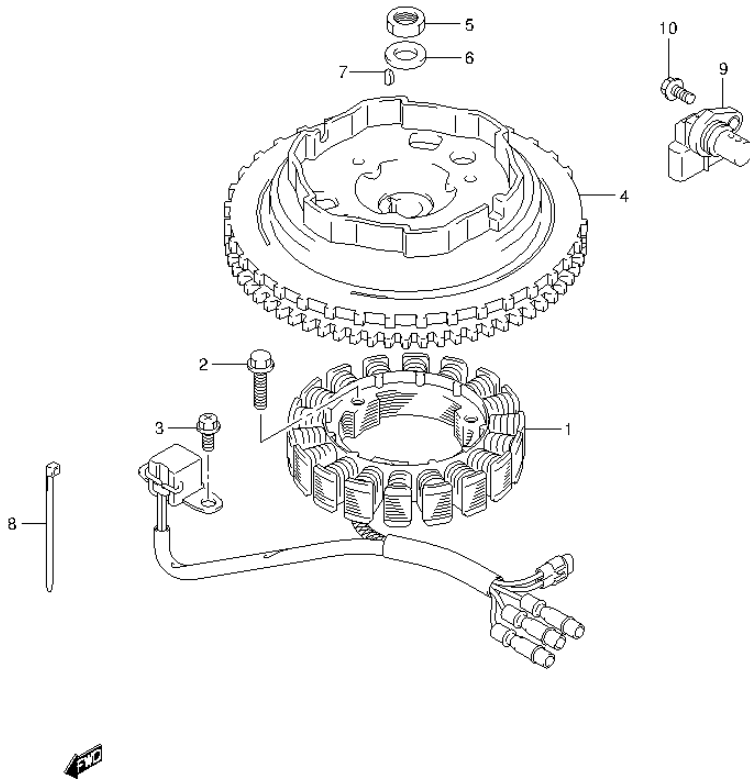


FIG.70

FIG.70 (1-G-9) RECTIFIER/IGNITION COIL (DF9.9B P01)

REF NO.	PART NO.	DESCRIPTION	Q'TY	REMARKS
1	32800-89L00	RECTIFIER/REGULATOR ASSY	1	W/ELECTRIC STARTER
2	32815-89L00	BRACKET, RECTIFIER	1	W/ELECTRIC STARTER
3	09116-06196	BOLT (6X20)	2	
4	32890-89L00	HOLDER, ELECTRIC PARTS	1	
5	09169-06063	WASHER	2	
6	09320-08051	CUSHION	2	
7	01550-06207	BOLT	2	W/ELECTRIC STARTER
8	01550-06167	BOLT	1	W/ELECTRIC STARTER
9	33500-07H00	CAP, SPARK PLUG	2	
10	09408-00159	CLAMP	2	
11	33410-89L00	COIL, IGNITION	1	
12	01550-06307	BOLT	2	
13-1	33920-89L40	UNIT, ENGINE CONTROL	1	W/ELECTRIC STARTER
13-2	33920-89L50	UNIT, ENGINE CONTROL	1	W/MANUAL STARTER
14	33925-89L00	CUSHION, ENGINE CONTROL UNIT	1	
15	38860-76F01	RELAY, ENGINE CONTROL UNIT	1	W/ELECTRIC STARTER
16	38915-90J00	HOLDER, RELAY	1	W/ELECTRIC STARTER
17	09160-06168	WASHER (6X14X1)	1	

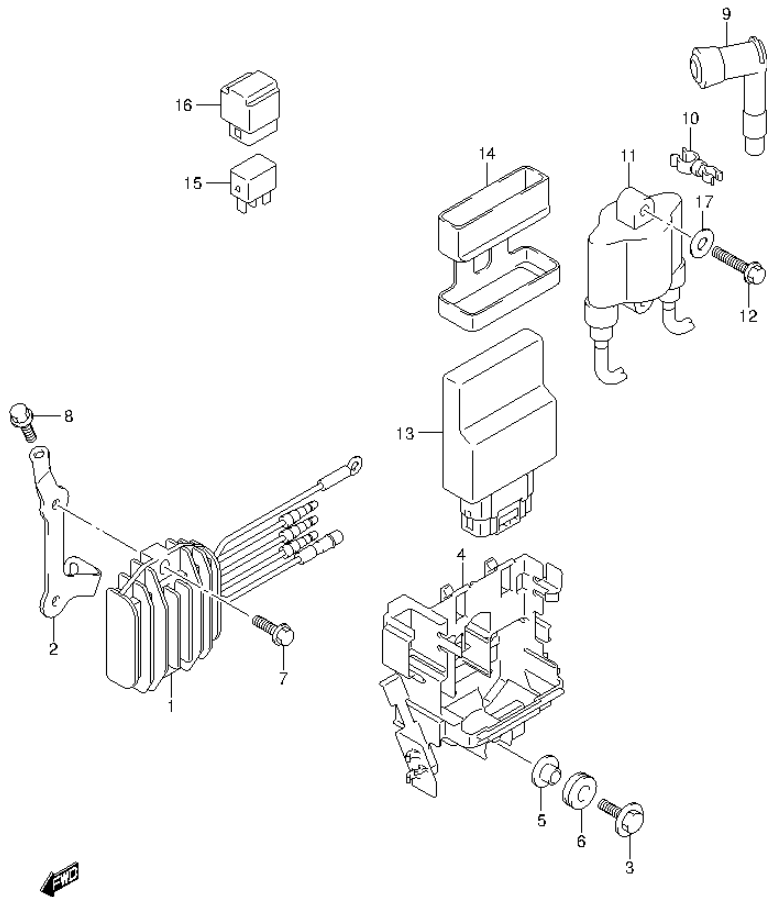


FIG.71

FIG.71 (1-G-10) RECTIFIER/IGNITION COIL (DF9.9BR P01)

REF NO.	PART NO.	DESCRIPTION	Q'TY	REMARKS
1	32800-89L00	RECTIFIER/REGULATOR ASSY	1	
2	32815-89L00	BRACKET, RECTIFIER	1	
3	09116-06196	BOLT (6X20)	2	
4	32890-89L00	HOLDER, ELECTRIC PARTS	1	
5	09169-06063	WASHER	2	
6	09320-08051	CUSHION	2	
7	01550-06207	BOLT	2	
8	01550-06167	BOLT	1	
9	33500-07H00	CAP, SPARK PLUG	2	
10	09408-00159	CLAMP	2	
11	33410-89L00	COIL, IGNITION	1	
12	01550-06307	BOLT	2	
13	33920-89L40	UNIT, ENGINE CONTROL	1	
14	33925-89L00	CUSHION, ENGINE CONTROL UNIT	1	
15	38860-76F01	RELAY, ENGINE CONTROL UNIT	1	
16	38915-90J00	HOLDER, RELAY	1	
17	09160-06168	WASHER (6X14X1)	1	

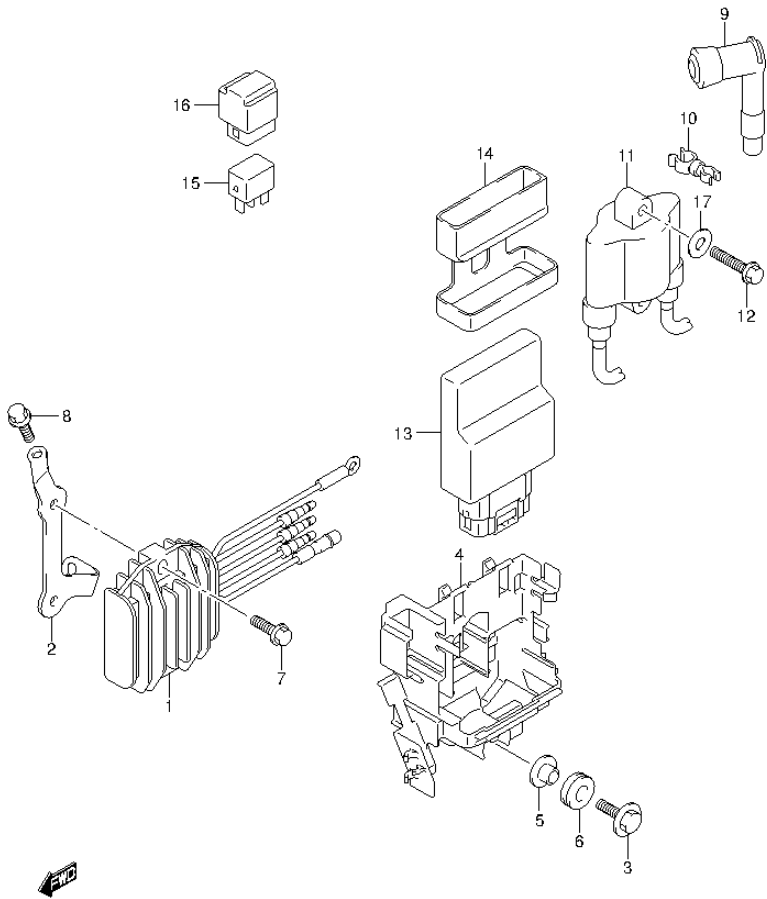


FIG.72

FIG.72 (1-G-11) RECTIFIER/IGNITION COIL (DF15A P01)

REF NO.	PART NO.	DESCRIPTION	Q'TY	REMARKS
1	32800-89L00	RECTIFIER/REGULATOR ASSY	1	W/ELECTRIC STARTER
2	32815-89L00	BRACKET, RECTIFIER	1	W/ELECTRIC STARTER
3	09116-06196	BOLT (6X20)	2	
4	32890-89L00	HOLDER, ELECTRIC PARTS	1	
5	09169-06063	WASHER	2	
6	09320-08051	CUSHION	2	
7	01550-06207	BOLT	2	W/ELECTRIC STARTER
8	01550-06167	BOLT	1	W/ELECTRIC STARTER
9	33500-07H00	CAP, SPARK PLUG	2	
10	09408-00159	CLAMP	2	
11	33410-89L00	COIL, IGNITION	1	
12	01550-06307	BOLT	2	
13-1	33920-89L01	UNIT, ENGINE CONTROL	1	W/ELECTRIC STARTER
13-2	33920-89L11	UNIT, ENGINE CONTROL	1	W/MANUAL STARTER
14	33925-89L00	CUSHION, ENGINE CONTROL UNIT	1	
15	38860-76F01	RELAY, ENGINE CONTROL UNIT	1	W/ELECTRIC STARTER
16	38915-90J00	HOLDER, RELAY	1	W/ELECTRIC STARTER
17	09160-06168	WASHER (6X14X1)	1	

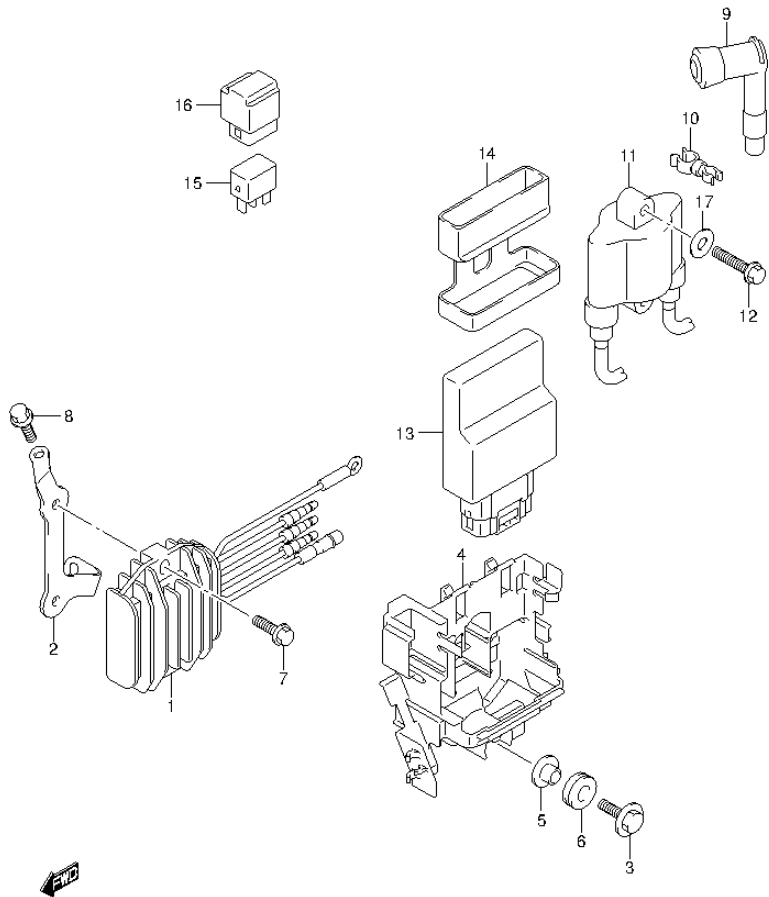


FIG.73

FIG.73 (1-G-12) RECTIFIER/IGNITION COIL (DF15AR P01)

REF NO.	PART NO.	DESCRIPTION	Q'TY	REMARKS
1	32800-89L00	RECTIFIER/REGULATOR ASSY	1	
2	32815-89L00	BRACKET, RECTIFIER	1	
3	09116-06196	BOLT (6X20)	2	
4	32890-89L00	HOLDER, ELECTRIC PARTS	1	
5	09169-06063	WASHER	2	
6	09320-08051	CUSHION	2	
7	01550-06207	BOLT	2	
8	01550-06167	BOLT	1	
9	33500-07H00	CAP, SPARK PLUG	2	
10	09408-00159	CLAMP	2	
11	33410-89L00	COIL, IGNITION	1	
12	01550-06307	BOLT	2	
13	33920-89L01	UNIT, ENGINE CONTROL	1	
14	33925-89L00	CUSHION, ENGINE CONTROL UNIT	1	
15	38860-76F01	RELAY, ENGINE CONTROL UNIT	1	
16	38915-90J00	HOLDER, RELAY	1	
17	09160-06168	WASHER (6X14X1)	1	

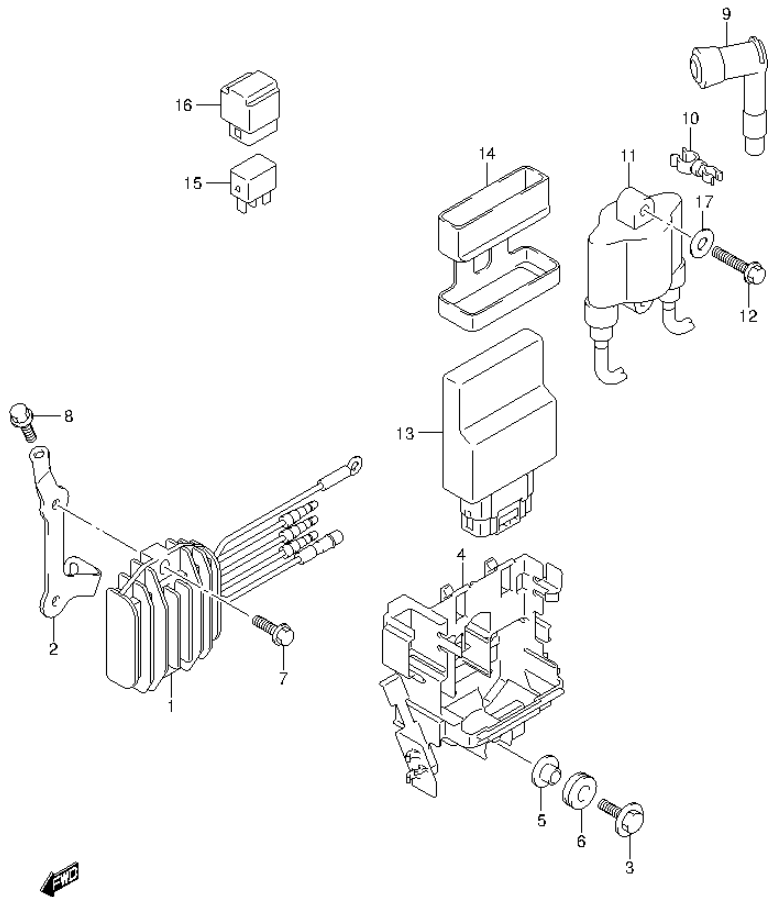


FIG.74

FIG.74 (1-G-13) RECTIFIER/IGNITION COIL (DF20A P01)

REF NO.	PART NO.	DESCRIPTION	Q'TY	REMARKS
1	32800-89L00	RECTIFIER/REGULATOR ASSY	1	W/ELECTRIC STARTER
2	32815-89L00	BRACKET, RECTIFIER	1	W/ELECTRIC STARTER
3	09116-06196	BOLT (6X20)	2	
4	32890-89L00	HOLDER, ELECTRIC PARTS	1	
5	09169-06063	WASHER	2	
6	09320-08051	CUSHION	2	
7	01550-06207	BOLT	2	W/ELECTRIC STARTER
8	01550-06167	BOLT	1	W/ELECTRIC STARTER
9	33500-07H00	CAP, SPARK PLUG	2	
10	09408-00159	CLAMP	2	
11	33410-89L00	COIL, IGNITION	1	
12	01550-06307	BOLT	2	
13-1	33920-89L21	UNIT, ENGINE CONTROL	1	W/ELECTRIC STARTER
13-2	33920-89L31	UNIT, ENGINE CONTROL	1	W/MANUAL STARTER
14	33925-89L00	CUSHION, ENGINE CONTROL UNIT	1	
15	38860-76F01	RELAY, ENGINE CONTROL UNIT	1	W/ELECTRIC STARTER
16	38915-90J00	HOLDER, RELAY	1	W/ELECTRIC STARTER
17	09160-06168	WASHER (6X14X1)	1	

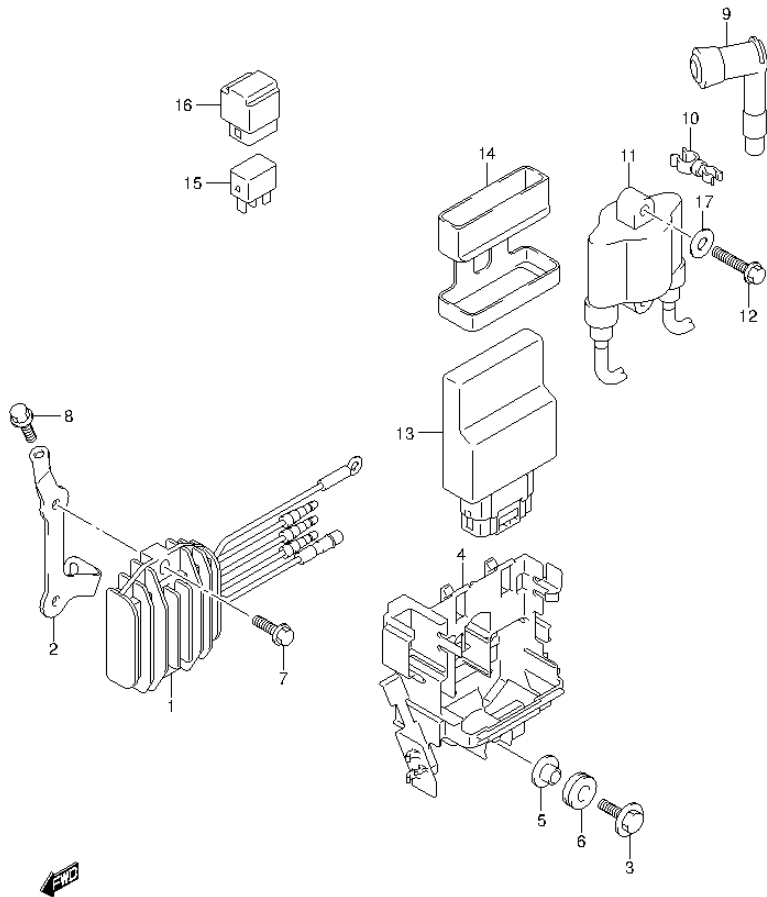


FIG.75

FIG.75 (1-G-14) RECTIFIER/IGNITION COIL (DF20A P40)

REF NO.	PART NO.	DESCRIPTION	Q'TY	REMARKS
1	32800-89L00	RECTIFIER/REGULATOR ASSY	1	W/ELECTRIC STARTER
2	32815-89L00	BRACKET, RECTIFIER	1	W/ELECTRIC STARTER
3	09116-06196	BOLT (6X20)	2	
4	32890-89L00	HOLDER, ELECTRIC PARTS	1	
5	09169-06063	WASHER	2	
6	09320-08051	CUSHION	2	
7	01550-06207	BOLT	2	W/ELECTRIC STARTER
8	01550-06167	BOLT	1	W/ELECTRIC STARTER
9	33500-07H00	CAP, SPARK PLUG	2	
10	09408-00159	CLAMP	2	
11	33410-89L00	COIL, IGNITION	1	
12	01550-06307	BOLT	2	
13-1	33920-89L60	UNIT, ENGINE CONTROL	1	W/ELECTRIC STARTER
13-2	33920-89L70	UNIT, ENGINE CONTROL	1	W/MANUAL STARTER
14	33925-89L00	CUSHION, ENGINE CONTROL UNIT	1	
15	38860-76F01	RELAY, ENGINE CONTROL UNIT	1	W/ELECTRIC STARTER
16	38915-90J00	HOLDER, RELAY	1	W/ELECTRIC STARTER
17	09160-06168	WASHER (6X14X1)	1	

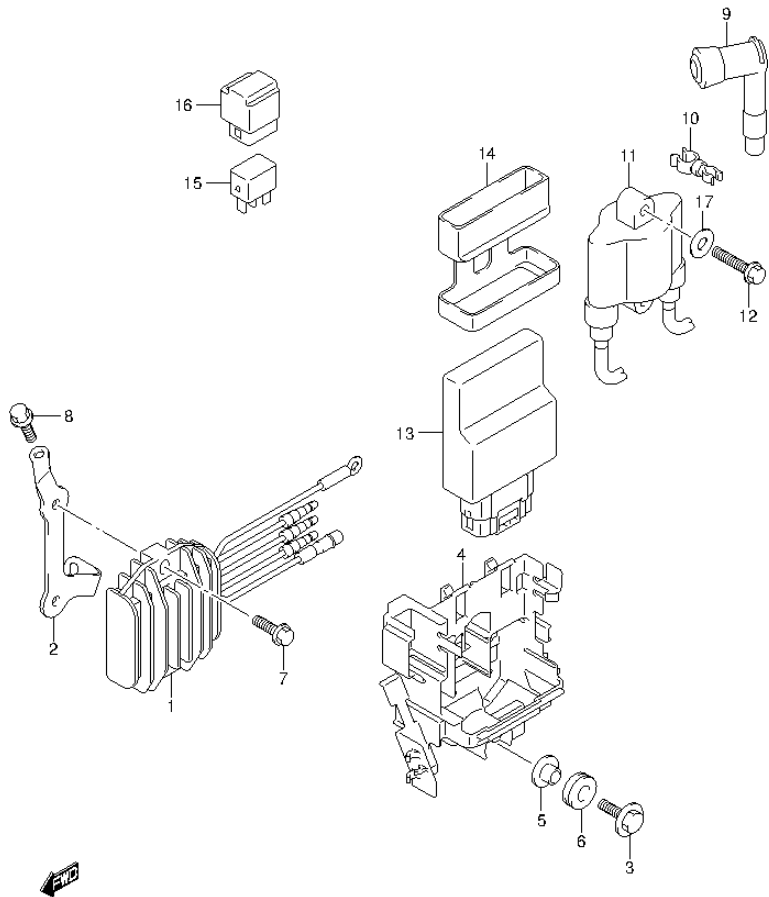


FIG.76

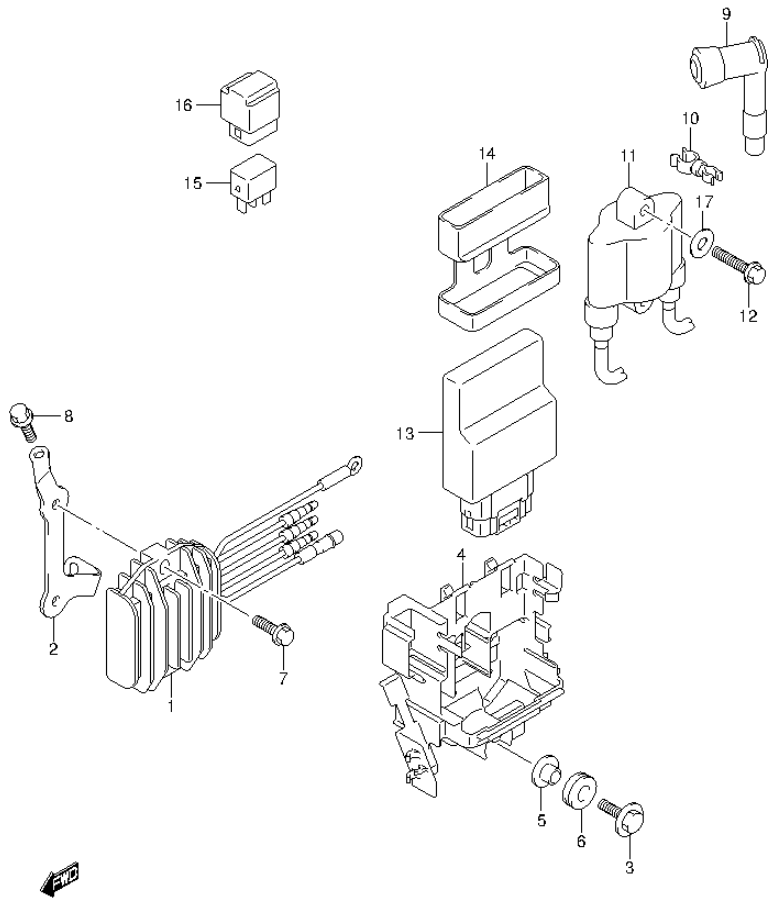


FIG.76 (1-G-15) RECTIFIER/IGNITION COIL (DF20AR P01)

REF NO.	PART NO.	DESCRIPTION	Q'TY	REMARKS
1	32800-89L00	RECTIFIER/REGULATOR ASSY	1	
2	32815-89L00	BRACKET, RECTIFIER	1	
3	09116-06196	BOLT (6X20)	2	
4	32890-89L00	HOLDER, ELECTRIC PARTS	1	
5	09169-06063	WASHER	2	
6	09320-08051	CUSHION	2	
7	01550-06207	BOLT	2	
8	01550-06167	BOLT	1	
9	33500-07H00	CAP, SPARK PLUG	2	
10	09408-00159	CLAMP	2	
11	33410-89L00	COIL, IGNITION	1	
12	01550-06307	BOLT	2	
13	33920-89L21	UNIT, ENGINE CONTROL	1	
14	33925-89L00	CUSHION, ENGINE CONTROL UNIT	1	
15	38860-76F01	RELAY, ENGINE CONTROL UNIT	1	
16	38915-90J00	HOLDER, RELAY	1	
17	09160-06168	WASHER (6X14X1)	1	

FIG.77

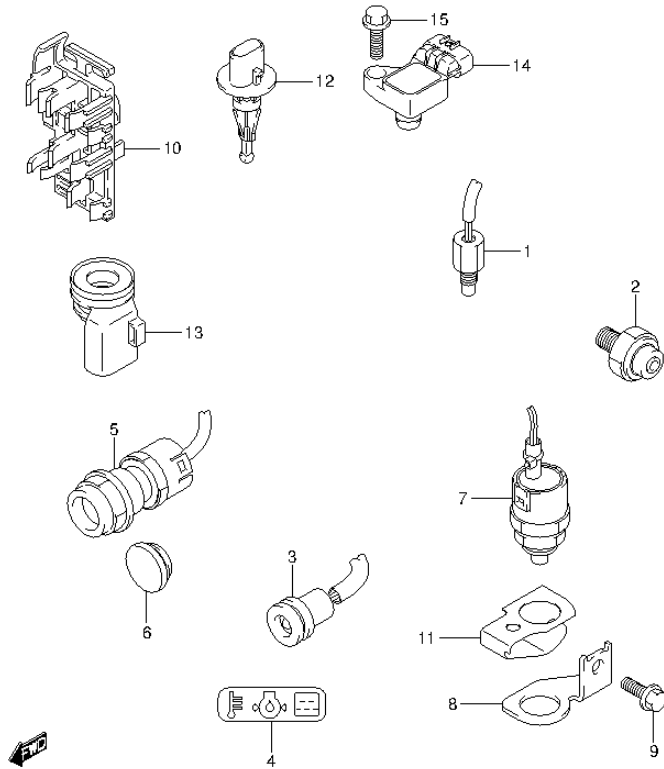


FIG.77 (1-H-2) SENSOR/SWITCH (DF9.9B P01)

REF NO.	PART NO.	DESCRIPTION	Q'TY	REMARKS
1	13640-32G00	SENSOR ENGINE, TEMP	1	
2	37820-93E10	SWITCH ASSY, OIL PRESSURE	1	
3	36360-99J10	INDICATOR, OIL PRESSURE	1	
4	36367-89L00	LABEL, WARNING	1	
5	37161-89L00	SWITCH ASSY, STARTER MOTOR	1	W/ELECTRIC STARTER
6	37163-89L00	PLUG, STARTING SWITCH HOLE	1	W/MANUAL STARTER
7	37721-89L00	SWITCH ASSY, NEUTRAL	1	
8	37726-89L00	BRACKET, NEUTRAL SWITCH	1	
9	01550-06167	BOLT	1	
10	36616-89L01	HOLDER, CONNECTOR	1	
11	37725-89L00	ACTUATOR, NEUTRAL SWITCH	1	
12	13650-52G00	SENSOR, INLET AIR TEMP	1	
13	13655-89L00	GROMMET, INLET AIR TEMP SENSOR	1	
14	18590-58M00	SENSOR, MAP	1	
15	01550-06207	BOLT	1	

FIG.78

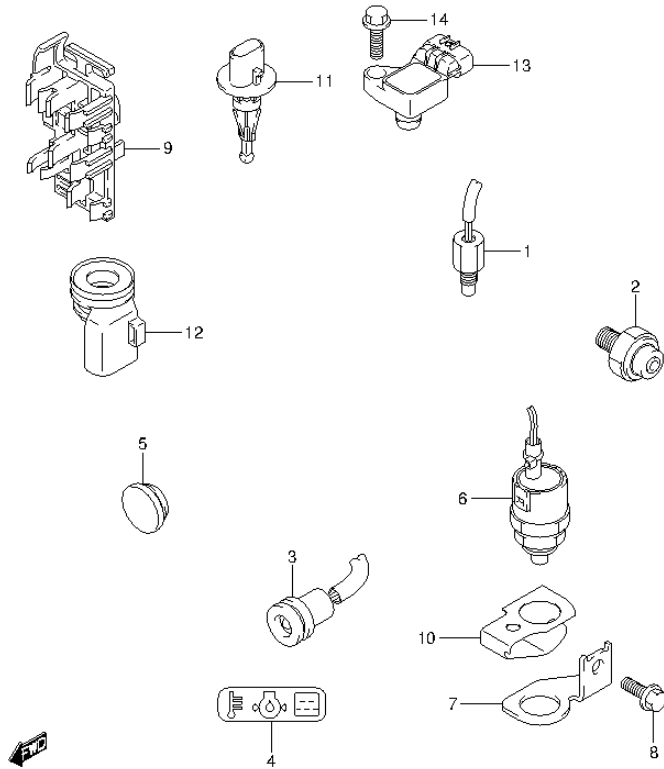


FIG.78 (1-H-3) SENSOR/SWITCH (DF9.9BR P01)

REF NO.	PART NO.	DESCRIPTION	Q'TY	REMARKS
1	13640-32G00	SENSOR ENGINE, TEMP	1	
2	37820-93E10	SWITCH ASSY, OIL PRESSURE	1	
3	36360-99J10	INDICATOR, OIL PRESSURE	1	
4	36367-89L00	LABEL, WARNING	1	
5	37163-89L00	PLUG, STARTING SWITCH HOLE	1	
6	37721-89L00	SWITCH ASSY, NEUTRAL	1	
7	37726-89L00	BRACKET, NEUTRAL SWITCH	1	
8	01550-06167	BOLT	1	
9	36616-89L01	HOLDER, CONNECTOR	1	
10	37725-89L00	ACTUATOR, NEUTRAL SWITCH	1	
11	13650-52G00	SENSOR, INLET AIR TEMP	1	
12	13655-89L00	GROMMET, INLET AIR TEMP SENSOR	1	
13	18590-58M00	SENSOR, MAP	1	
14	01550-06207	BOLT	1	

FIG.79

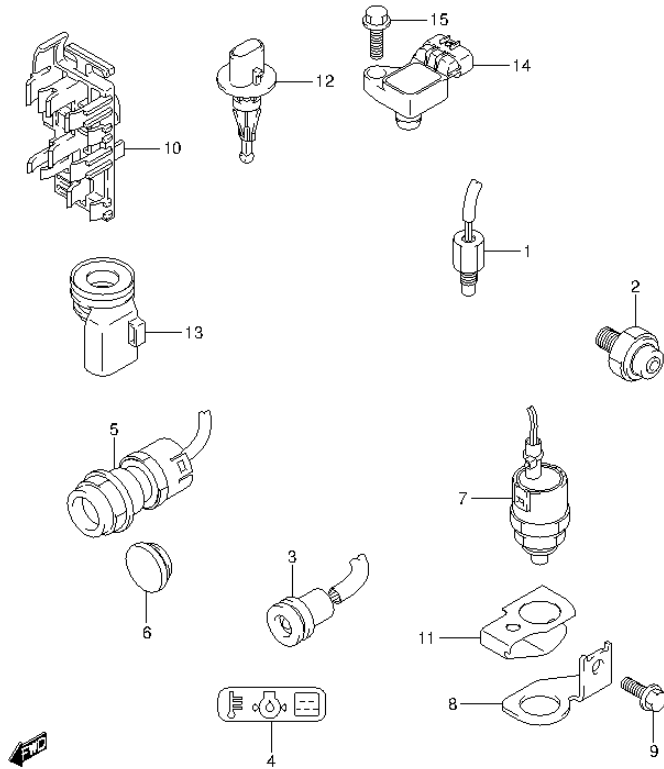


FIG.79 (1-H-4) SENSOR/SWITCH (DF15A P01)

REF NO.	PART NO.	DESCRIPTION	Q'TY	REMARKS
1	13640-32G00	SENSOR ENGINE, TEMP	1	
2	37820-93E10	SWITCH ASSY, OIL PRESSURE	1	
3	36360-99J10	INDICATOR, OIL PRESSURE	1	
4	36367-89L00	LABEL, WARNING	1	
5	37161-89L00	SWITCH ASSY, STARTER MOTOR	1	W/ELECTRIC STARTER
6	37163-89L00	PLUG, STARTING SWITCH HOLE	1	W/MANUAL STARTER
7	37721-89L00	SWITCH ASSY, NEUTRAL	1	
8	37726-89L00	BRACKET, NEUTRAL SWITCH	1	
9	01550-06167	BOLT	1	
10	36616-89L01	HOLDER, CONNECTOR	1	
11	37725-89L00	ACTUATOR, NEUTRAL SWITCH	1	
12	13650-52G00	SENSOR, INLET AIR TEMP	1	
13	13655-89L00	GROMMET, INLET AIR TEMP SENSOR	1	
14	18590-58M00	SENSOR, MAP	1	
15	01550-06207	BOLT	1	

FIG.80

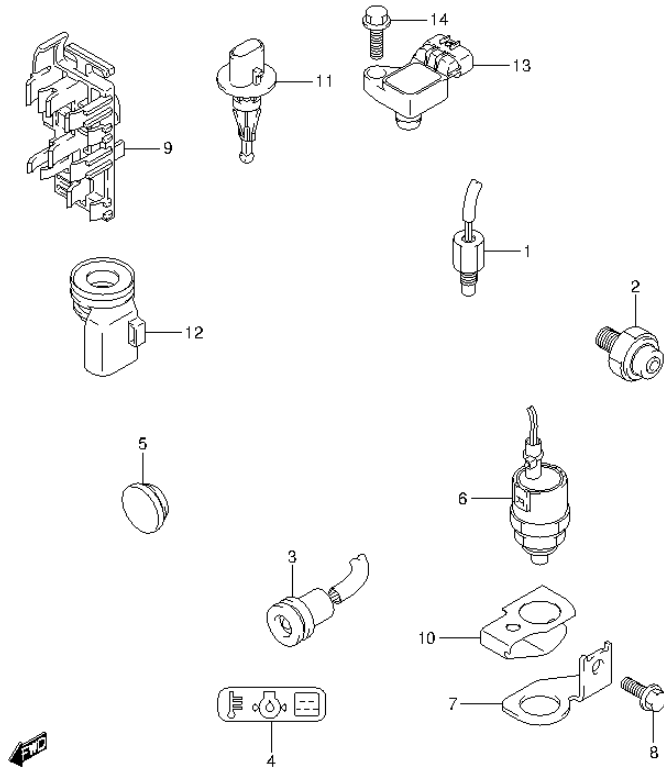


FIG.80 (1-H-5) SENSOR/SWITCH (DF15AR P01)

REF NO.	PART NO.	DESCRIPTION	Q'TY	REMARKS
1	13640-32G00	SENSOR ENGINE, TEMP	1	
2	37820-93E10	SWITCH ASSY, OIL PRESSURE	1	
3	36360-99J10	INDICATOR, OIL PRESSURE	1	
4	36367-89L00	LABEL, WARNING	1	
5	37163-89L00	PLUG, STARTING SWITCH HOLE	1	
6	37721-89L00	SWITCH ASSY, NEUTRAL	1	
7	37726-89L00	BRACKET, NEUTRAL SWITCH	1	
8	01550-06167	BOLT	1	
9	36616-89L01	HOLDER, CONNECTOR	1	
10	37725-89L00	ACTUATOR, NEUTRAL SWITCH	1	
11	13650-52G00	SENSOR, INLET AIR TEMP	1	
12	13655-89L00	GROMMET, INLET AIR TEMP SENSOR	1	
13	18590-58M00	SENSOR, MAP	1	
14	01550-06207	BOLT	1	

FIG.81

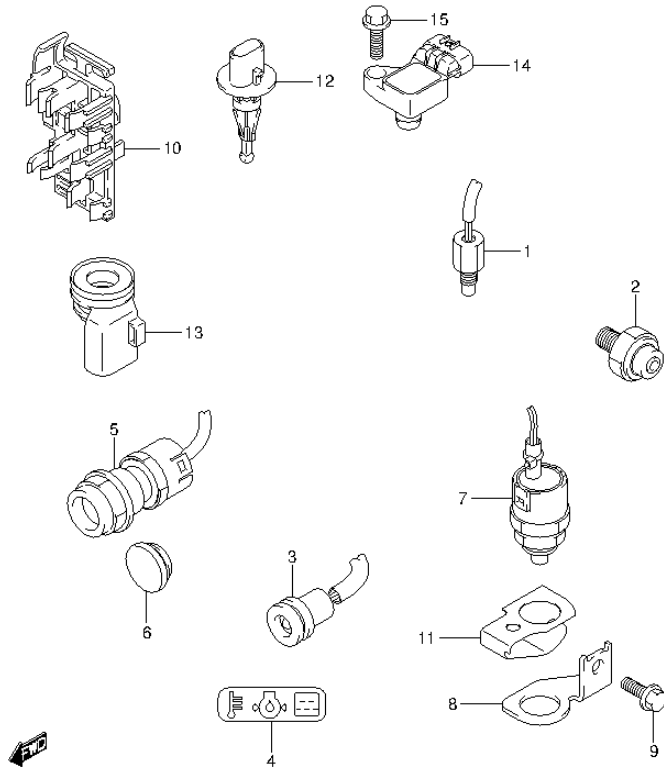


FIG.81 (1-H-6) SENSOR/SWITCH (DF20A P01)

REF NO.	PART NO.	DESCRIPTION	Q'TY	REMARKS
1	13640-32G00	SENSOR ENGINE, TEMP	1	
2	37820-93E10	SWITCH ASSY, OIL PRESSURE	1	
3	36360-99J10	INDICATOR, OIL PRESSURE	1	
4	36367-89L00	LABEL, WARNING	1	
5	37161-89L00	SWITCH ASSY, STARTER MOTOR	1	W/ELECTRIC STARTER
6	37163-89L00	PLUG, STARTING SWITCH HOLE	1	W/MANUAL STARTER
7	37721-89L00	SWITCH ASSY, NEUTRAL	1	
8	37726-89L00	BRACKET, NEUTRAL SWITCH	1	
9	01550-06167	BOLT	1	
10	36616-89L01	HOLDER, CONNECTOR	1	
11	37725-89L00	ACTUATOR, NEUTRAL SWITCH	1	
12	13650-52G00	SENSOR, INLET AIR TEMP	1	
13	13655-89L00	GROMMET, INLET AIR TEMP SENSOR	1	
14	18590-58M00	SENSOR, MAP	1	
15	01550-06207	BOLT	1	

FIG.82

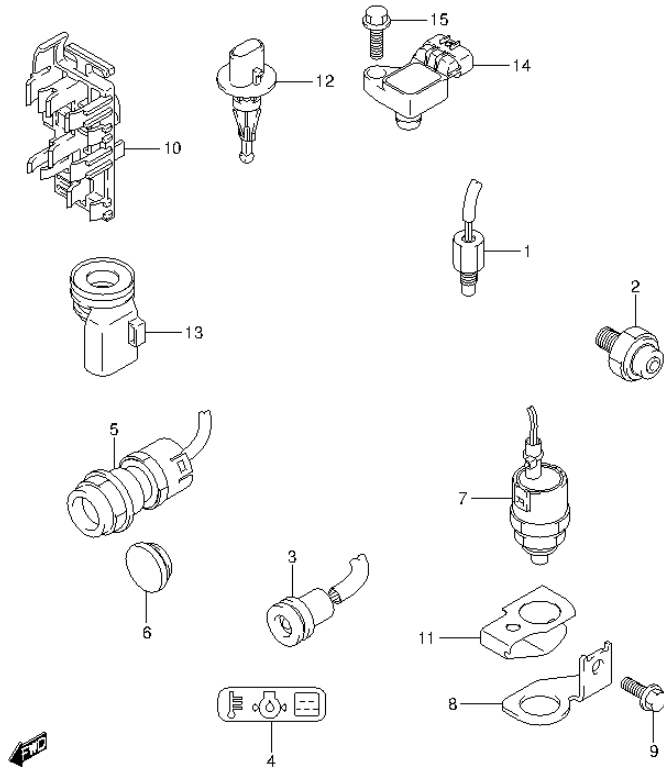


FIG.82 (1-H-7) SENSOR/SWITCH (DF20A P40)

REF NO.	PART NO.	DESCRIPTION	Q'TY	REMARKS
1	13640-32G00	SENSOR ENGINE, TEMP	1	
2	37820-93E10	SWITCH ASSY, OIL PRESSURE	1	
3	36360-99J10	INDICATOR, OIL PRESSURE	1	
4	36367-89L00	LABEL, WARNING	1	
5	37161-89L00	SWITCH ASSY, STARTER MOTOR	1	W/ELECTRIC STARTER
6	37163-89L00	PLUG, STARTING SWITCH HOLE	1	W/MANUAL STARTER
7	37721-89L00	SWITCH ASSY, NEUTRAL	1	
8	37726-89L00	BRACKET, NEUTRAL SWITCH	1	
9	01550-06167	BOLT	1	
10	36616-89L01	HOLDER, CONNECTOR	1	
11	37725-89L00	ACTUATOR, NEUTRAL SWITCH	1	
12	13650-52G00	SENSOR, INLET AIR TEMP	1	
13	13655-89L00	GROMMET, INLET AIR TEMP SENSOR	1	
14	18590-58M00	SENSOR, MAP	1	
15	01550-06207	BOLT	1	

FIG.83

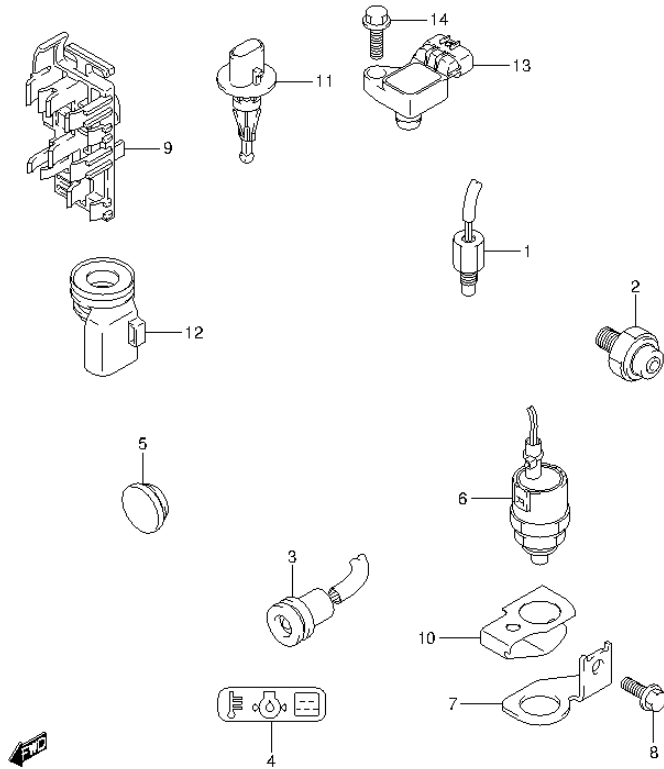


FIG.83 (1-H-8) SENSOR/SWITCH (DF20AR P01)

REF NO.	PART NO.	DESCRIPTION	Q'TY	REMARKS
1	13640-32G00	SENSOR ENGINE, TEMP	1	
2	37820-93E10	SWITCH ASSY, OIL PRESSURE	1	
3	36360-99J10	INDICATOR, OIL PRESSURE	1	
4	36367-89L00	LABEL, WARNING	1	
5	37163-89L00	PLUG, STARTING SWITCH HOLE	1	
6	37721-89L00	SWITCH ASSY, NEUTRAL	1	
7	37726-89L00	BRACKET, NEUTRAL SWITCH	1	
8	01550-06167	BOLT	1	
9	36616-89L01	HOLDER, CONNECTOR	1	
10	37725-89L00	ACTUATOR, NEUTRAL SWITCH	1	
11	13650-52G00	SENSOR, INLET AIR TEMP	1	
12	13655-89L00	GROMMET, INLET AIR TEMP SENSOR	1	
13	18590-58M00	SENSOR, MAP	1	
14	01550-06207	BOLT	1	

FIG.84

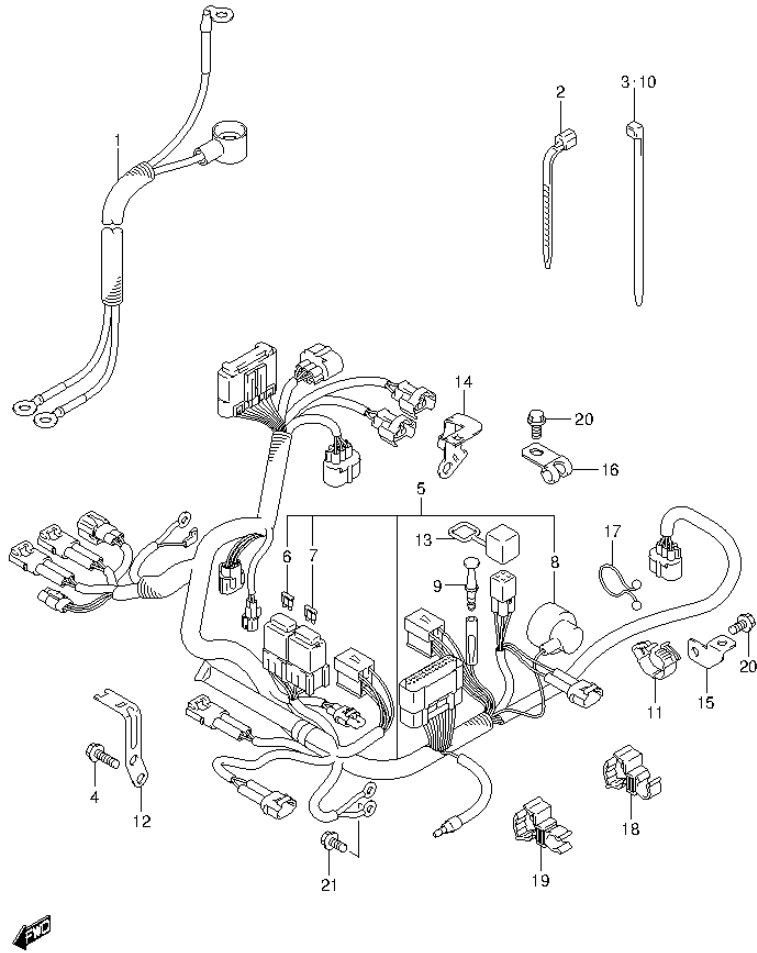


FIG.84 (1-H-9) HARNESS (DF9.9B P01)

REF NO.	PART NO.	DESCRIPTION	Q'TY	REMARKS
1	33810-89L00	CABLE, STARTER	1	W/ELECTRIC STARTER
2	09407-14403	CLAMP (L:125)	1	W/ELECTRIC STARTER
3	09407-14407	CLAMP (L:145)	1	W/ELECTRIC STARTER
4	01547-06167	BOLT	2	W/ELECTRIC STARTER
5-1	36610-89L01	HARNESS ASSY, WIRING	1	W/ELECTRIC STARTER
5-2	36610-89L11	HARNESS ASSY, WIRING	1	W/MANUAL STARTER
6	09481-10501	.FUSE (10A)	1	W/ELECTRIC STARTER
7	09481-30501	.FUSE (30A)	1	W/ELECTRIC STARTER
8	36618-43410	.CAP, OIL PRESSURE SWITCH	1	
9	36615-96300	TERMINAL, RESIN	1	
10	09407-14407	CLAMP (L:145)	4	
11	09408-00184	CLAMP	1	W/ELECTRIC STARTER
12	36617-89L10	BRACKET, HARNESS	1	W/ELECTRIC STARTER
13	33634-96J00	CAP, SERVICE CONNECTOR	1	
14	36617-89L01	BRACKET, HARNESS	1	
15	36617-91J00	BRACKET, SWITCH LEAD	1	
16	09403-08404	CLAMP	1	
17	09408-00008	CLIP (ID:20)	1	
18	09408-00252	CLAMP	1	
19	09408-00297	CLAMP	1	
20	01550-06127	BOLT	2	
21	01550-06127	BOLT	1	

FIG.85

FIG.85 (1-H-10) HARNESS (DF9.9BR P01)

REF NO.	PART NO.	DESCRIPTION	Q'TY	REMARKS
1	33810-89L00	CABLE, STARTER	1	
2	36610-89L20	HARNESS ASSY, WIRING	1	
3	09481-10501	.FUSE (10A)	1	
4	09481-30501	.FUSE (30A)	1	
5	36618-43410	.CAP, OIL PRESSURE SWITCH	1	
6	09407-14407	CLAMP (L:145)	4	
7	09408-00184	CLAMP	1	
8	33634-96J00	CAP, SERVICE CONNECTOR	1	
9	36617-89L01	BRACKET, HARNESS	1	
10	36617-91J00	BRACKET, SWITCH LEAD	1	
11	09403-08404	CLAMP	1	
12	09408-00008	CLIP (ID:20)	1	
13-1	09408-00252	CLAMP	1	UP TO VIN.310251
13-2	09408-00296	CLAMP	1	FROM VIN.310252
14	09408-00297	CLAMP	1	
15	01550-06127	BOLT	2	
16	01550-06127	BOLT	1	
17-1	36620-93J10	WIRE ASSY, REMOCON EXTENSION	1	OPT L:2000
17-2	36620-93J40	WIRE ASSY, REMOCON EXTENSION	1	OPT L:3000

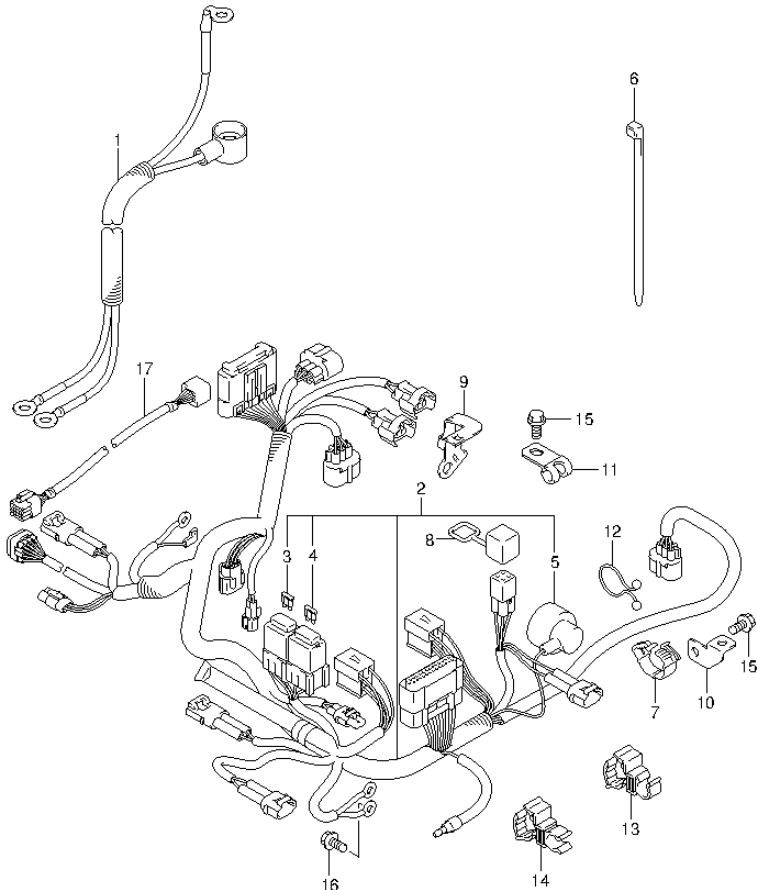


FIG.86

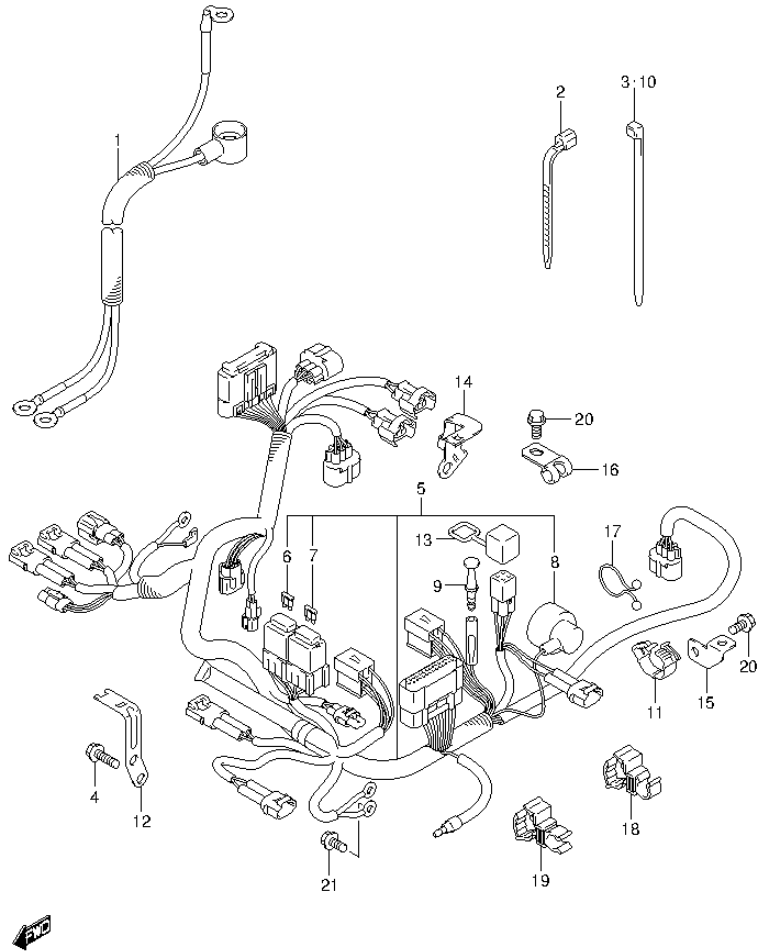


FIG.86 (1-H-11) HARNESS (DF15A P01)

REF NO.	PART NO.	DESCRIPTION	Q'TY	REMARKS
1	33810-89L00	CABLE, STARTER	1	W/ELECTRIC STARTER
2	09407-14403	CLAMP (L:125)	1	W/ELECTRIC STARTER
3	09407-14407	CLAMP (L:145)	1	W/ELECTRIC STARTER
4	01547-06167	BOLT	2	W/ELECTRIC STARTER
5-1	36610-89L01	HARNESS ASSY, WIRING	1	W/ELECTRIC STARTER
5-2	36610-89L11	HARNESS ASSY, WIRING	1	W/MANUAL STARTER
6	09481-10501	.FUSE (10A)	1	W/ELECTRIC STARTER
7	09481-30501	.FUSE (30A)	1	W/ELECTRIC STARTER
8	36618-43410	.CAP, OIL PRESSURE SWITCH	1	
9	36615-96300	TERMINAL, RESIN	1	
10	09407-14407	CLAMP (L:145)	4	
11	09408-00184	CLAMP	1	W/ELECTRIC STARTER
12	36617-89L10	BRACKET, HARNESS	1	W/ELECTRIC STARTER
13	33634-96J00	CAP, SERVICE CONNECTOR	1	
14	36617-89L01	BRACKET, HARNESS	1	
15	36617-91J00	BRACKET, SWITCH LEAD	1	
16	09403-08404	CLAMP	1	
17	09408-00008	CLIP (ID:20)	1	
18	09408-00252	CLAMP	1	
19	09408-00297	CLAMP	1	
20	01550-06127	BOLT	2	
21	01550-06127	BOLT	1	

FIG.87

FIG.87 (1-H-12) HARNESS (DF15AR P01)

REF NO.	PART NO.	DESCRIPTION	Q'TY	REMARKS
1	33810-89L00	CABLE, STARTER	1	
2	36610-89L20	HARNESS ASSY, WIRING	1	
3	09481-10501	.FUSE (10A)	1	
4	09481-30501	.FUSE (30A)	1	
5	36618-43410	.CAP, OIL PRESSURE SWITCH	1	
6	09407-14407	CLAMP (L:145)	4	
7	09408-00184	CLAMP	1	
8	33634-96J00	CAP, SERVICE CONNECTOR	1	
9	36617-89L01	BRACKET, HARNESS	1	
10	36617-91J00	BRACKET, SWITCH LEAD	1	
11	09403-08404	CLAMP	1	
12	09408-00008	CLIP (ID:20)	1	
13-1	09408-00252	CLAMP	1	UP TO VIN.313256
13-2	09408-00296	CLAMP	1	FROM VIN.313257
14	09408-00297	CLAMP	1	
15	01550-06127	BOLT	2	
16	01550-06127	BOLT	1	
17-1	36620-93J10	WIRE ASSY, REMOCON EXTENSION	1	OPT L:2000
17-2	36620-93J40	WIRE ASSY, REMOCON EXTENSION	1	OPT L:3000

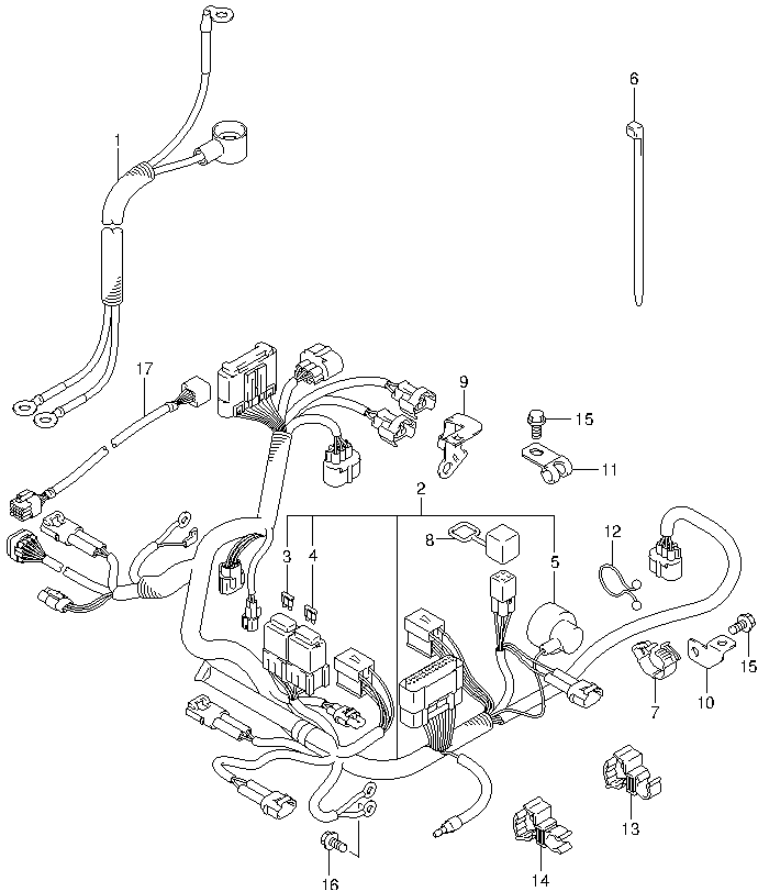


FIG.88

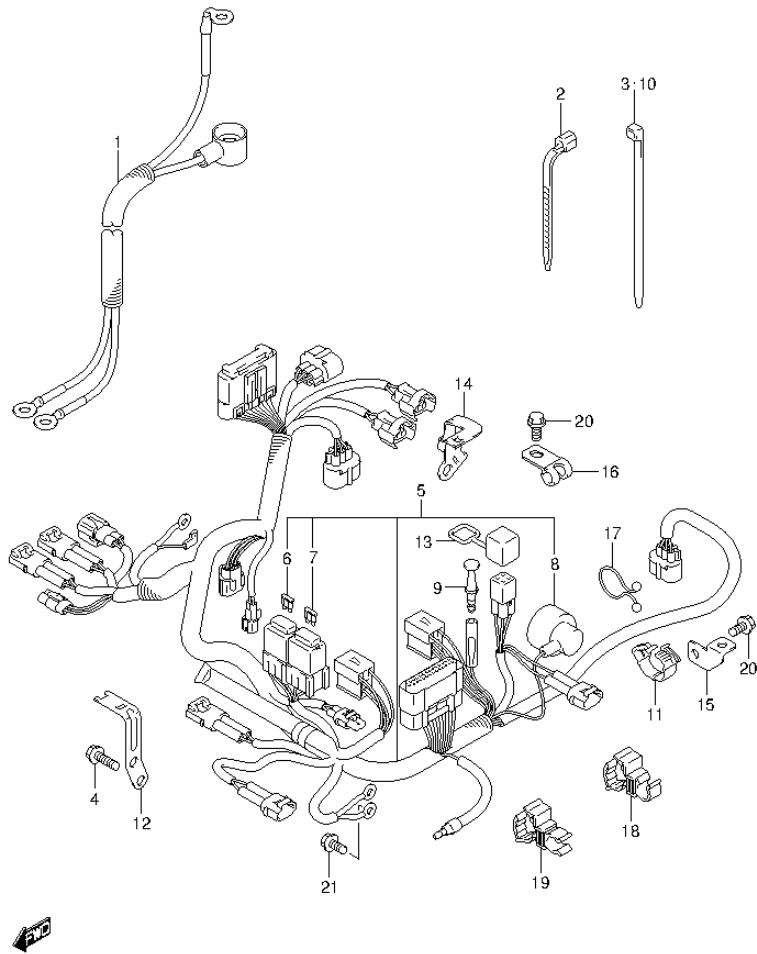


FIG.88 (1-H-13) HARNESS (DF20A P01)

REF NO.	PART NO.	DESCRIPTION	Q'TY	REMARKS
1	33810-89L00	CABLE, STARTER	1	W/ELECTRIC STARTER
2	09407-14403	CLAMP (L:125)	1	W/ELECTRIC STARTER
3	09407-14407	CLAMP (L:145)	1	W/ELECTRIC STARTER
4	01547-06167	BOLT	2	W/ELECTRIC STARTER
5-1	36610-89L01	HARNESS ASSY, WIRING	1	W/ELECTRIC STARTER
5-2	36610-89L11	HARNESS ASSY, WIRING	1	W/MANUAL STARTER
6	09481-10501	.FUSE (10A)	1	W/ELECTRIC STARTER
7	09481-30501	.FUSE (30A)	1	W/ELECTRIC STARTER
8	36618-43410	.CAP, OIL PRESSURE SWITCH	1	
9	36615-96300	TERMINAL, RESIN	1	
10	09407-14407	CLAMP (L:145)	4	
11	09408-00184	CLAMP	1	W/ELECTRIC STARTER
12	36617-89L10	BRACKET, HARNESS	1	W/ELECTRIC STARTER
13	33634-96J00	CAP, SERVICE CONNECTOR	1	
14	36617-89L01	BRACKET, HARNESS	1	
15	36617-91J00	BRACKET, SWITCH LEAD	1	
16	09403-08404	CLAMP	1	
17	09408-00008	CLIP (ID:20)	1	
18	09408-00252	CLAMP	1	
19	09408-00297	CLAMP	1	
20	01550-06127	BOLT	2	
21	01550-06127	BOLT	1	

FIG.89

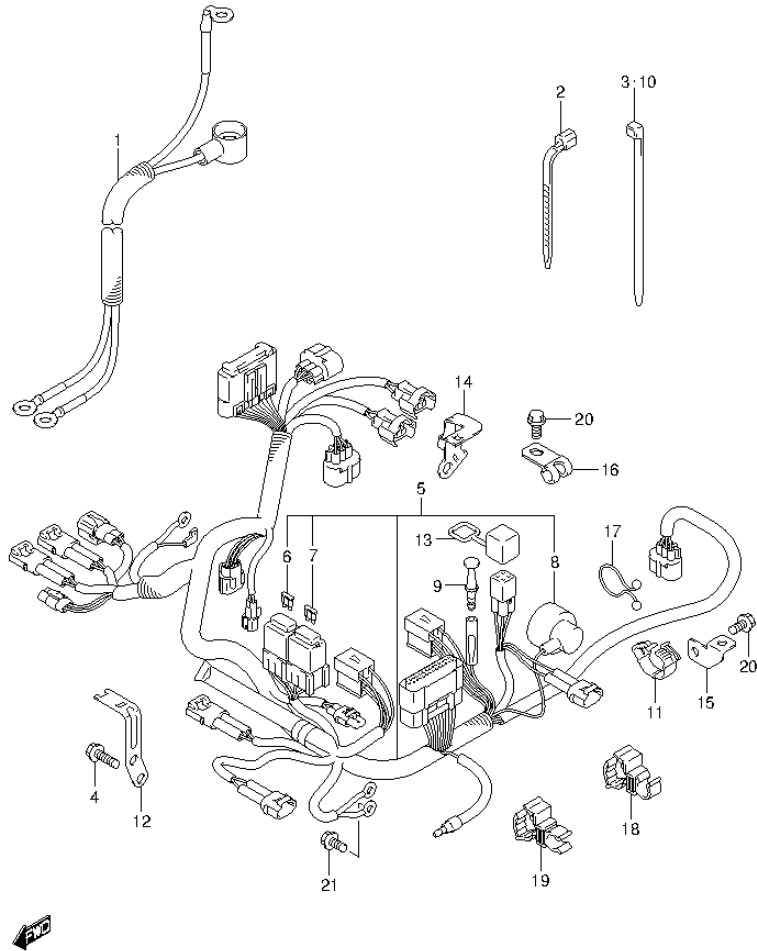


FIG.89 (1-H-14) HARNESS (DF20A P40)

REF NO.	PART NO.	DESCRIPTION	Q'TY	REMARKS
1	33810-89L00	CABLE, STARTER	1	W/ELECTRIC STARTER
2	09407-14403	CLAMP (L:125)	1	W/ELECTRIC STARTER
3	09407-14407	CLAMP (L:145)	1	W/ELECTRIC STARTER
4	01547-06167	BOLT	2	W/ELECTRIC STARTER
5-1	36610-89L01	HARNESS ASSY, WIRING	1	W/ELECTRIC STARTER
5-2	36610-89L11	HARNESS ASSY, WIRING	1	W/MANUAL STARTER
6	09481-10501	.FUSE (10A)	1	W/ELECTRIC STARTER
7	09481-30501	.FUSE (30A)	1	W/ELECTRIC STARTER
8	36618-43410	.CAP, OIL PRESSURE SWITCH	1	
9	36615-96300	TERMINAL, RESIN	1	
10	09407-14407	CLAMP (L:145)	4	
11	09408-00184	CLAMP	1	W/ELECTRIC STARTER
12	36617-89L10	BRACKET, HARNESS	1	W/ELECTRIC STARTER
13	33634-96J00	CAP, SERVICE CONNECTOR	1	
14	36617-89L01	BRACKET, HARNESS	1	
15	36617-91J00	BRACKET, SWITCH LEAD	1	
16	09403-08404	CLAMP	1	
17	09408-00008	CLIP (ID:20)	1	
18	09408-00252	CLAMP	1	
19	09408-00297	CLAMP	1	
20	01550-06127	BOLT	2	
21	01550-06127	BOLT	1	

FIG.90

FIG.90 (1-H-15) HARNESS (DF20AR P01)

REF NO.	PART NO.	DESCRIPTION	Q'TY	REMARKS
1	33810-89L00	CABLE, STARTER	1	
2	36610-89L20	HARNESS ASSY, WIRING	1	
3	09481-10501	.FUSE (10A)	1	
4	09481-30501	.FUSE (30A)	1	
5	36618-43410	.CAP, OIL PRESSURE SWITCH	1	
6	09407-14407	CLAMP (L:145)	4	
7	09408-00184	CLAMP	1	
8	33634-96J00	CAP, SERVICE CONNECTOR	1	
9	36617-89L01	BRACKET, HARNESS	1	
10	36617-91J00	BRACKET, SWITCH LEAD	1	
11	09403-08404	CLAMP	1	
12	09408-00008	CLIP (ID:20)	1	
13-1	09408-00252	CLAMP	1	UP TO VIN.313582
13-2	09408-00296	CLAMP	1	FROM VIN.313583
14	09408-00297	CLAMP	1	
15	01550-06127	BOLT	2	
16	01550-06127	BOLT	1	
17-1	36620-93J10	WIRE ASSY, REMOCON EXTENSION	1	OPT L:2000
17-2	36620-93J40	WIRE ASSY, REMOCON EXTENSION	1	OPT L:3000

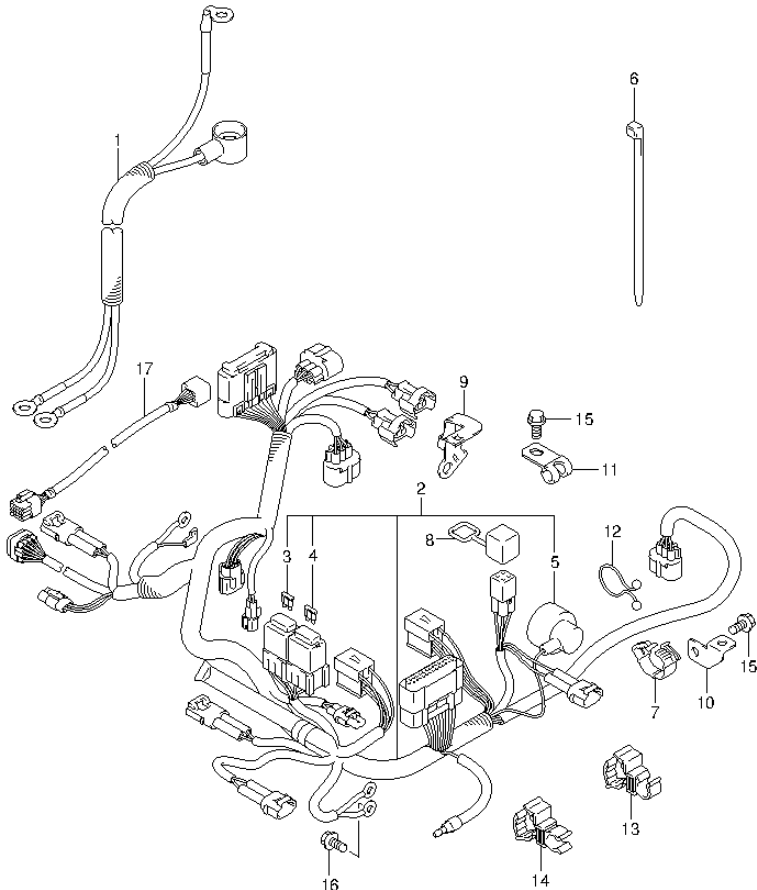
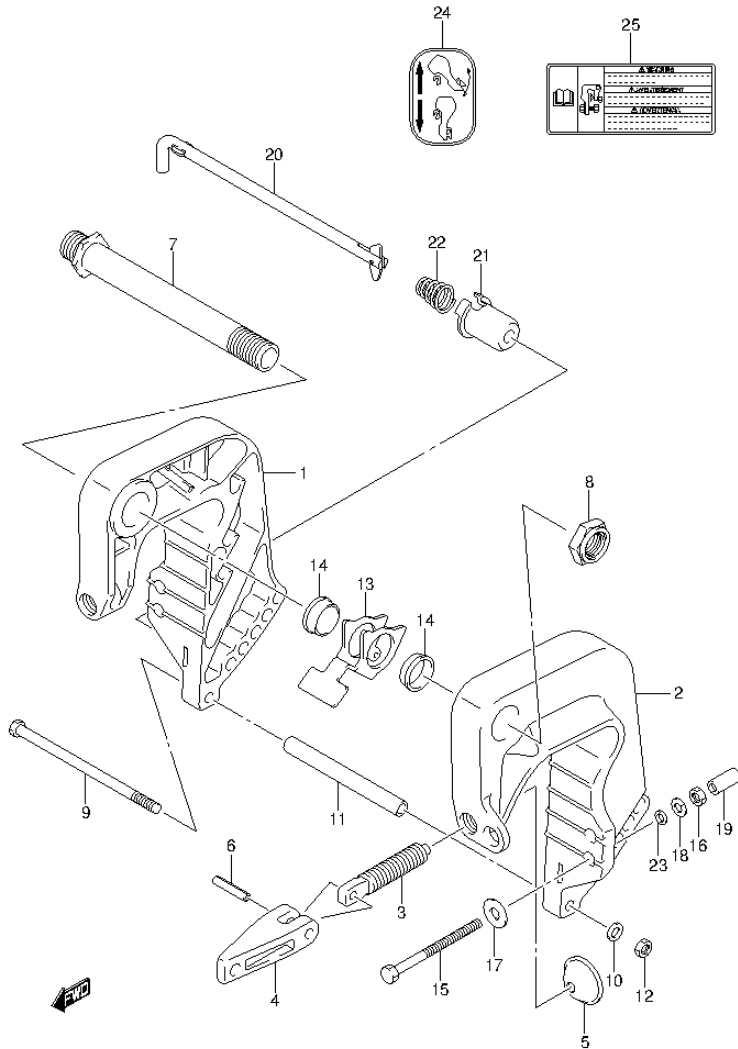


FIG.91

FIG.91 (1-1-2) CLAMP BRACKET (DF9.9B P01)



REF NO.	PART NO.	DESCRIPTION	Q'TY	REMARKS
1	41111-89L00-OEP	BRACKET, CLAMP STBD (BLACK)	1	
2	41121-89L00-OEP	BRACKET, CLAMP PORT (BLACK)	1	
3	41211-99JL0	SCREW, CLAMP	2	
4	41212-91J00	HANDLE, CLAMP	2	
5	41213-98100	PLATE, CLAMP	2	
6	09205-06007	SPRING PIN (6X25)	2	
7	41130-90L00	SHAFT, CLAMP BRACKET	1	
8	09159-22006	NUT	1	
9	09100-06178	BOLT (6X150)	1	
10	09160-06082	WASHER (6.5X13X1.0)	1	
11	09180-06366	SPACER (6.5X10.5X114)	1	
12	29141-93J00	NUT, CLAMP BRKT LOWER (M6)	1	
13	45261-89L00	LEVER, RELEASE	1	
14	09306-22006	BUSH	2	
15	09100-08311	BOLT (8X90)	2	
16	09140-08023-XC0	NUT	2	
17	09160-08081	WASHER (8.5X23X1.5)	2	
18	29162-93J10	WASHER, TRANSOM BOLT LOCK	2	
19	41153-96300	CAP, TRANSOM BOLT	2	
20	45420-89L00	PIN, TILT LOCK	1	
21	45425-94J00	STOPPER, TILT LOCK PIN	1	
22	09441-17001	SPRING	1	
23	09160-08170	WASHER (8.5X16X2)	2	
24	45269-89L00	MARK, REVERSE LOCK	1	
25	69911-91J40	MARK, CLAMP BRACKET	1	
26	41210-99JL1	SCREW SET, CLAMP	1	

OPT
NOT ILLUSTRATED

FIG.92

FIG.92 (1-1-3) CLAMP BRACKET (DF9.9BR P01)

REF NO.	PART NO.	DESCRIPTION	Q'TY	REMARKS
1	41111-89L00-OEP	BRACKET, CLAMP STBD (BLACK)	1	
2	41121-89L00-OEP	BRACKET, CLAMP PORT (BLACK)	1	
3	41211-99JL0	SCREW, CLAMP	2	
4	41212-91J00	HANDLE, CLAMP	2	
5	41213-98100	PLATE, CLAMP	2	
6	09205-06007	SPRING PIN (6X25)	2	
7	41130-89L00	SHAFT, CLAMP BRACKET	1	
8	09159-22006	NUT	1	
9	09100-06178	BOLT (6X150)	1	
10	09160-06082	WASHER (6.5X13X1.0)	1	
11	09180-06366	SPACER (6.5X10.5X114)	1	
12	29141-93J00	NUT, CLAMP BRKT LOWER (M6)	1	
13	45261-89L00	LEVER, RELEASE	1	
14	09306-22006	BUSH	2	
15	09100-08311	BOLT (8X90)	2	
16	09140-08023-XC0	NUT	2	
17	09160-08081	WASHER (8.5X23X1.5)	2	
18	29162-93J10	WASHER, TRANSOM BOLT LOCK	2	
19	41153-96300	CAP, TRANSOM BOLT	2	
20	45420-89L00	PIN, TILT LOCK	1	
21	45425-94J00	STOPPER, TILT LOCK PIN	1	
22	09441-17001	SPRING	1	
23	09160-08170	WASHER (8.5X16X2)	2	
24	45269-89L00	MARK, REVERSE LOCK	1	
25	69911-91J40	MARK, CLAMP BRACKET	1	
26	41210-99JL1	SCREW SET, CLAMP	1	

OPT
NOT ILLUSTRATED

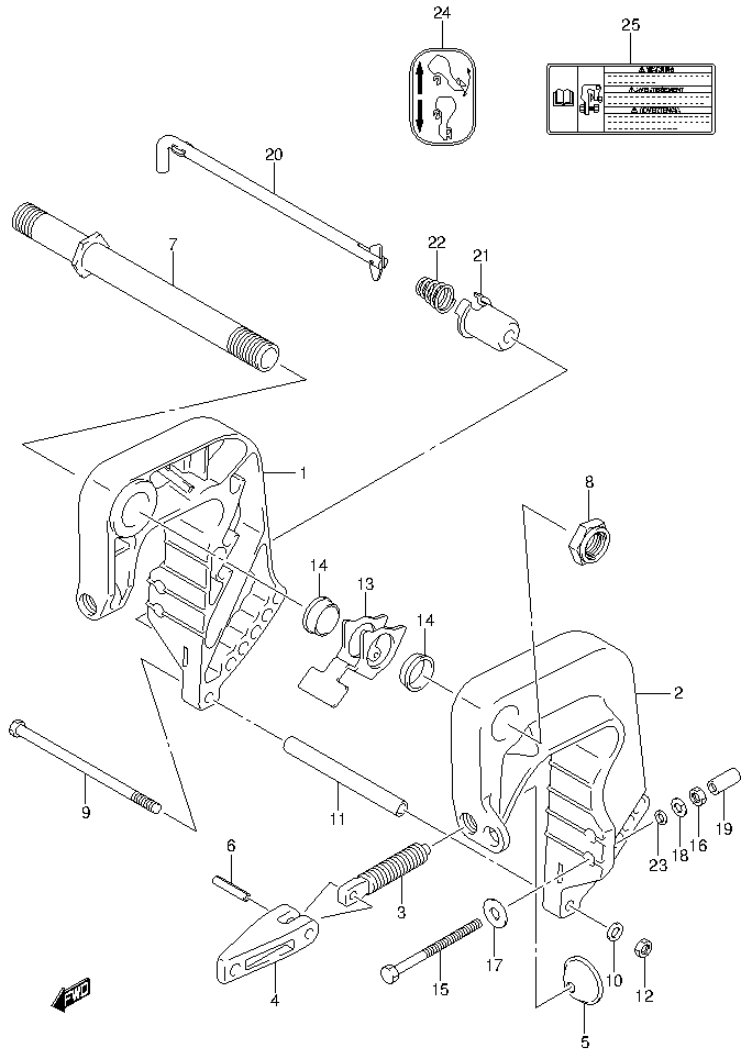


FIG.93

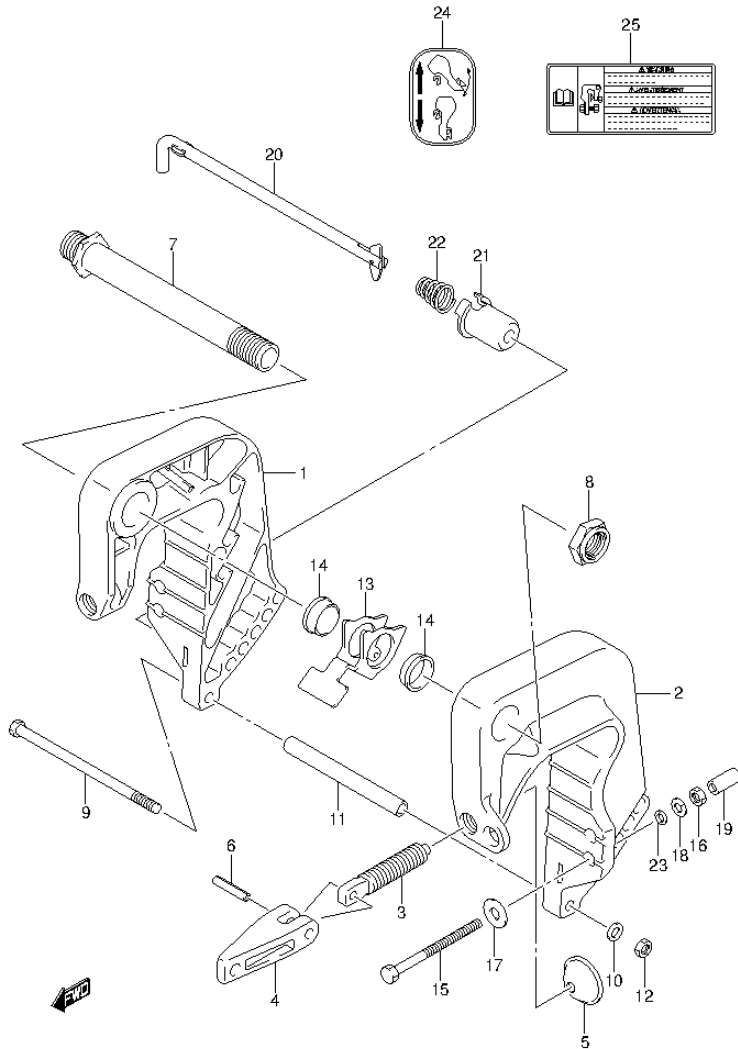


FIG.93 (1-1-4) CLAMP BRACKET (DF15A P01)

REF NO.	PART NO.	DESCRIPTION	Q'TY	REMARKS
1	41111-89L00-OEP	BRACKET, CLAMP STBD (BLACK)	1	
2	41121-89L00-OEP	BRACKET, CLAMP PORT (BLACK)	1	
3	41211-99JL0	SCREW, CLAMP	2	
4	41212-91J00	HANDLE, CLAMP	2	
5	41213-98100	PLATE, CLAMP	2	
6	09205-06007	SPRING PIN (6X25)	2	
7	41130-90L00	SHAFT, CLAMP BRACKET	1	
8	09159-22006	NUT	1	
9	09100-06178	BOLT (6X150)	1	
10	09160-06082	WASHER (6.5X13X1.0)	1	
11	09180-06366	SPACER (6.5X10.5X114)	1	
12	29141-93J00	NUT, CLAMP BRKT LOWER (M6)	1	
13	45261-89L00	LEVER, RELEASE	1	
14	09306-22006	BUSH	2	
15	09100-08311	BOLT (8X90)	2	
16	09140-08023-XC0	NUT	2	
17	09160-08081	WASHER (8.5X23X1.5)	2	
18	29162-93J10	WASHER, TRANSOM BOLT LOCK	2	
19	41153-96300	CAP, TRANSOM BOLT	2	
20	45420-89L00	PIN, TILT LOCK	1	
21	45425-94J00	STOPPER, TILT LOCK PIN	1	
22	09441-17001	SPRING	1	
23	09160-08170	WASHER (8.5X16X2)	2	
24	45269-89L00	MARK, REVERSE LOCK	1	
25	69911-91J40	MARK, CLAMP BRACKET	1	
26	41210-99JL1	SCREW SET, CLAMP	1	

OPT
NOT ILLUSTRATED

FIG.94

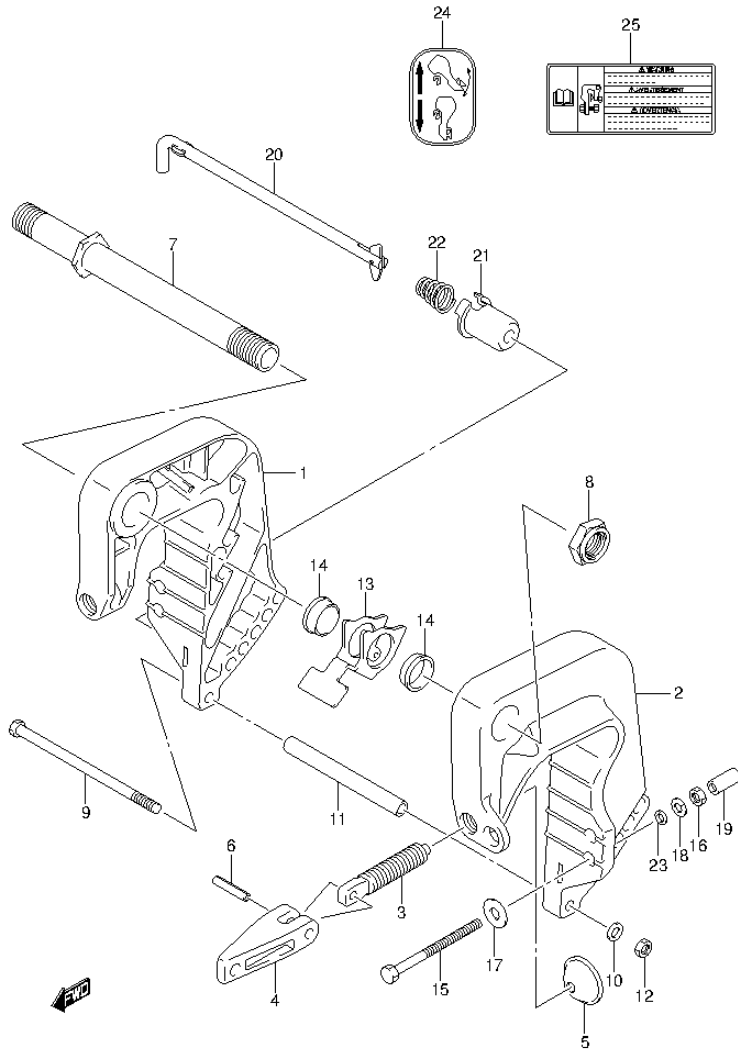


FIG.94 (1-1-5) CLAMP BRACKET (DF15AR P01)

REF NO.	PART NO.	DESCRIPTION	Q'TY	REMARKS
1	41111-89L00-OEP	BRACKET, CLAMP STBD (BLACK)	1	
2	41121-89L00-OEP	BRACKET, CLAMP PORT (BLACK)	1	
3	41211-99JL0	SCREW, CLAMP	2	
4	41212-91J00	HANDLE, CLAMP	2	
5	41213-98100	PLATE, CLAMP	2	
6	09205-06007	SPRING PIN (6X25)	2	
7	41130-89L00	SHAFT, CLAMP BRACKET	1	
8	09159-22006	NUT	1	
9	09100-06178	BOLT (6X150)	1	
10	09160-06082	WASHER (6.5X13X1.0)	1	
11	09180-06366	SPACER (6.5X10.5X114)	1	
12	29141-93J00	NUT, CLAMP BRKT LOWER (M6)	1	
13	45261-89L00	LEVER, RELEASE	1	
14	09306-22006	BUSH	2	
15	09100-08311	BOLT (8X90)	2	
16	09140-08023-XC0	NUT	2	
17	09160-08081	WASHER (8.5X23X1.5)	2	
18	29162-93J10	WASHER, TRANSOM BOLT LOCK	2	
19	41153-96300	CAP, TRANSOM BOLT	2	
20	45420-89L00	PIN, TILT LOCK	1	
21	45425-94J00	STOPPER, TILT LOCK PIN	1	
22	09441-17001	SPRING	1	
23	09160-08170	WASHER (8.5X16X2)	2	
24	45269-89L00	MARK, REVERSE LOCK	1	
25	69911-91J40	MARK, CLAMP BRACKET	1	
26	41210-99JL1	SCREW SET, CLAMP	1	

OPT
NOT ILLUSTRATED

FIG.95

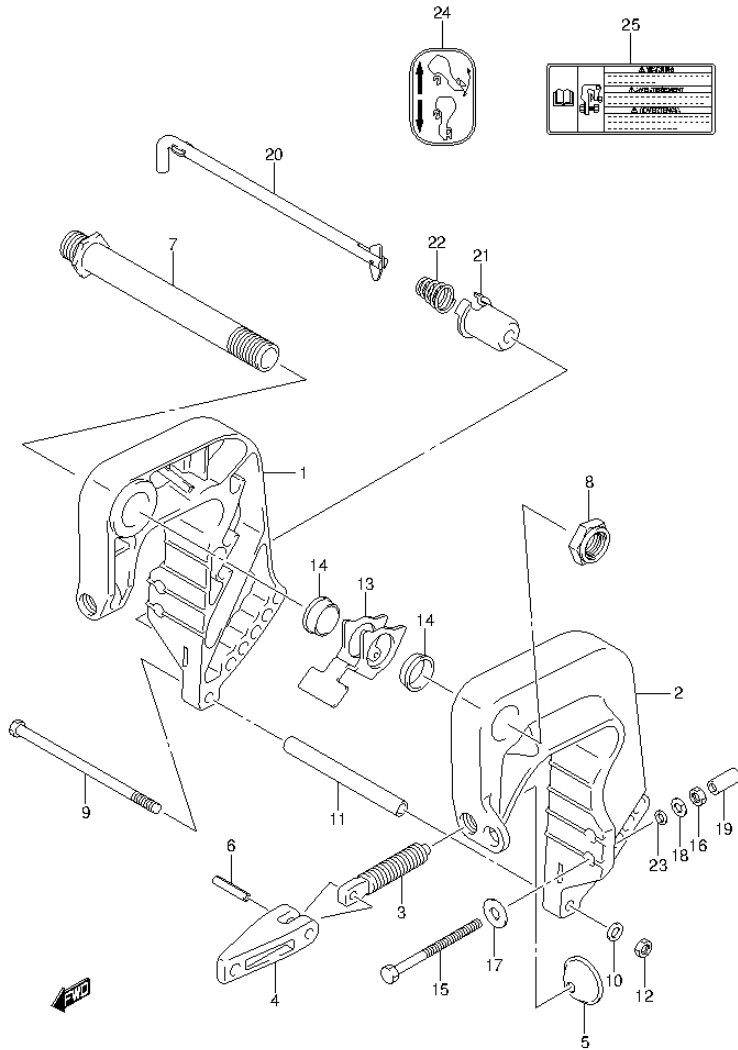


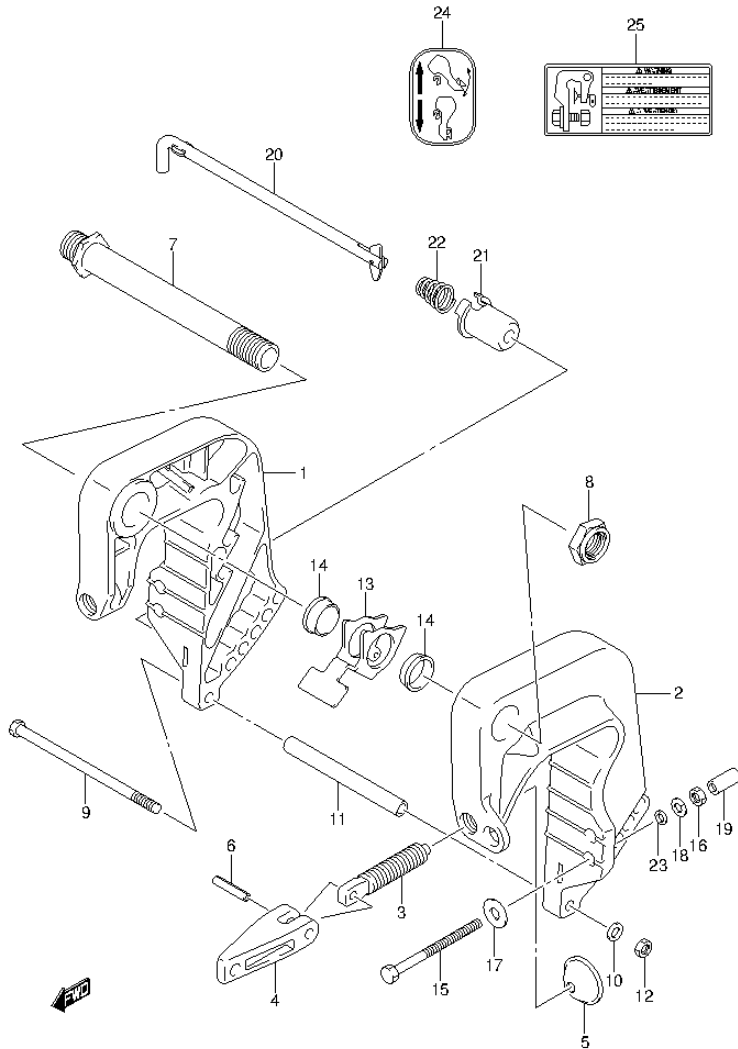
FIG.95 (1-1-6) CLAMP BRACKET (DF20A P01)

REF NO.	PART NO.	DESCRIPTION	Q'TY	REMARKS
1	41111-89L00-OEP	BRACKET, CLAMP STBD (BLACK)	1	
2	41121-89L00-OEP	BRACKET, CLAMP PORT (BLACK)	1	
3	41211-99JL0	SCREW, CLAMP	2	
4	41212-91J00	HANDLE, CLAMP	2	
5	41213-98100	PLATE, CLAMP	2	
6	09205-06007	SPRING PIN (6X25)	2	
7	41130-90L00	SHAFT, CLAMP BRACKET	1	
8	09159-22006	NUT	1	
9	09100-06178	BOLT (6X150)	1	
10	09160-06082	WASHER (6.5X13X1.0)	1	
11	09180-06366	SPACER (6.5X10.5X114)	1	
12	29141-93J00	NUT, CLAMP BRKT LOWER (M6)	1	
13	45261-89L00	LEVER, RELEASE	1	
14	09306-22006	BUSH	2	
15	09100-08311	BOLT (8X90)	2	
16	09140-08023-XC0	NUT	2	
17	09160-08081	WASHER (8.5X23X1.5)	2	
18	29162-93J10	WASHER, TRANSOM BOLT LOCK	2	
19	41153-96300	CAP, TRANSOM BOLT	2	
20	45420-89L00	PIN, TILT LOCK	1	
21	45425-94J00	STOPPER, TILT LOCK PIN	1	
22	09441-17001	SPRING	1	
23	09160-08170	WASHER (8.5X16X2)	2	
24	45269-89L00	MARK, REVERSE LOCK	1	
25	69911-91J40	MARK, CLAMP BRACKET	1	
26	41210-99JL1	SCREW SET, CLAMP	1	

OPT
NOT ILLUSTRATED

FIG.96

FIG.96 (1-1-7) CLAMP BRACKET (DF20A P40)



REF NO.	PART NO.	DESCRIPTION	Q'TY	REMARKS
1	41111-89L00-OEP	BRACKET, CLAMP STBD (BLACK)	1	
2	41121-89L00-OEP	BRACKET, CLAMP PORT (BLACK)	1	
3	41211-99JL0	SCREW, CLAMP	2	
4	41212-91J00	HANDLE, CLAMP	2	
5	41213-98100	PLATE, CLAMP	2	
6	09205-06007	SPRING PIN (6X25)	2	
7	41130-90L00	SHAFT, CLAMP BRACKET	1	
8	09159-22006	NUT	1	
9	09100-06178	BOLT (6X150)	1	
10	09160-06082	WASHER (6.5X13X1.0)	1	
11	09180-06366	SPACER (6.5X10.5X114)	1	
12	29141-93J00	NUT, CLAMP BRKT LOWER (M6)	1	
13	45261-89L00	LEVER, RELEASE	1	
14	09306-22006	BUSH	2	
15	09100-08311	BOLT (8X90)	2	
16	09140-08023-XC0	NUT	2	
17	09160-08081	WASHER (8.5X23X1.5)	2	
18	29162-93J10	WASHER, TRANSOM BOLT LOCK	2	
19	41153-96300	CAP, TRANSOM BOLT	2	
20	45420-89L00	PIN, TILT LOCK	1	
21	45425-94J00	STOPPER, TILT LOCK PIN	1	
22	09441-17001	SPRING	1	
23	09160-08170	WASHER (8.5X16X2)	2	
24	45269-89L00	MARK, REVERSE LOCK	1	
25	69911-91J00	MARK, CLAMP BRACKET	1	
26	41210-99JL1	SCREW SET, CLAMP	1	OPT NOT ILLUSTRATED

FIG.97

FIG.97 (1-1-8) CLAMP BRACKET (DF20AR P01)

REF NO.	PART NO.	DESCRIPTION	Q'TY	REMARKS
1	41111-89L00-OEP	BRACKET, CLAMP STBD (BLACK)	1	
2	41121-89L00-OEP	BRACKET, CLAMP PORT (BLACK)	1	
3	41211-99JL0	SCREW, CLAMP	2	
4	41212-91J00	HANDLE, CLAMP	2	
5	41213-98100	PLATE, CLAMP	2	
6	09205-06007	SPRING PIN (6X25)	2	
7	41130-89L00	SHAFT, CLAMP BRACKET	1	
8	09159-22006	NUT	1	
9	09100-06178	BOLT (6X150)	1	
10	09160-06082	WASHER (6.5X13X1.0)	1	
11	09180-06366	SPACER (6.5X10.5X114)	1	
12	29141-93J00	NUT, CLAMP BRKT LOWER (M6)	1	
13	45261-89L00	LEVER, RELEASE	1	
14	09306-22006	BUSH	2	
15	09100-08311	BOLT (8X90)	2	
16	09140-08023-XC0	NUT	2	
17	09160-08081	WASHER (8.5X23X1.5)	2	
18	29162-93J10	WASHER, TRANSOM BOLT LOCK	2	
19	41153-96300	CAP, TRANSOM BOLT	2	
20	45420-89L00	PIN, TILT LOCK	1	
21	45425-94J00	STOPPER, TILT LOCK PIN	1	
22	09441-17001	SPRING	1	
23	09160-08170	WASHER (8.5X16X2)	2	
24	45269-89L00	MARK, REVERSE LOCK	1	
25	69911-91J40	MARK, CLAMP BRACKET	1	
26	41210-99JL1	SCREW SET, CLAMP	1	

OPT
NOT ILLUSTRATED

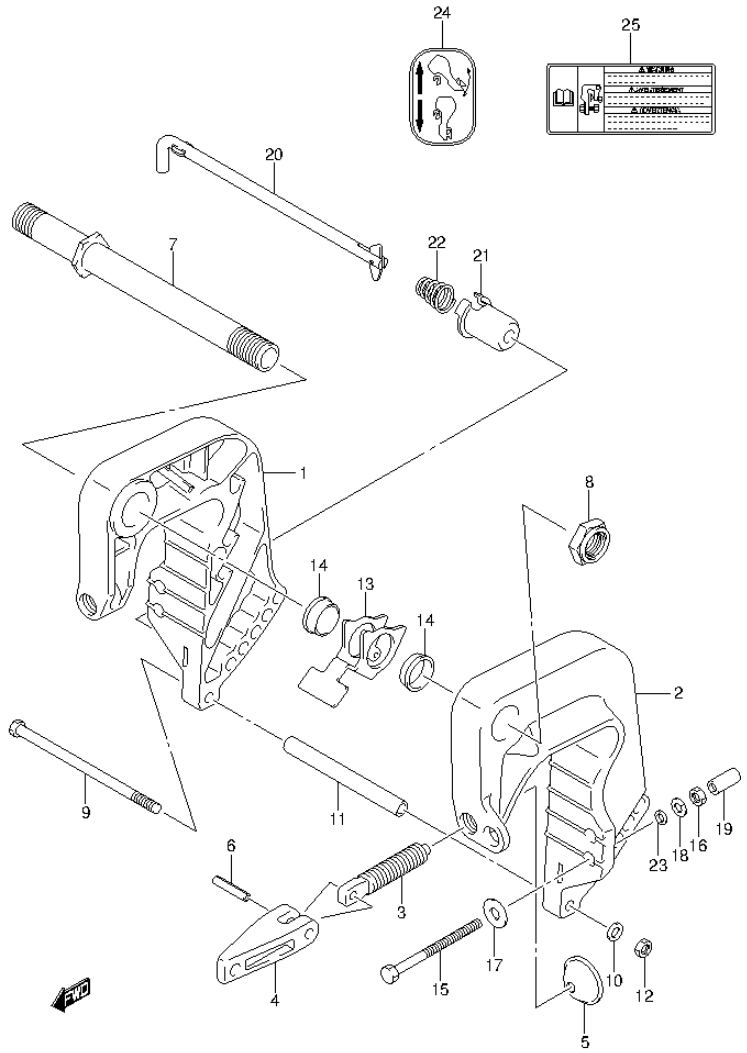


FIG.98

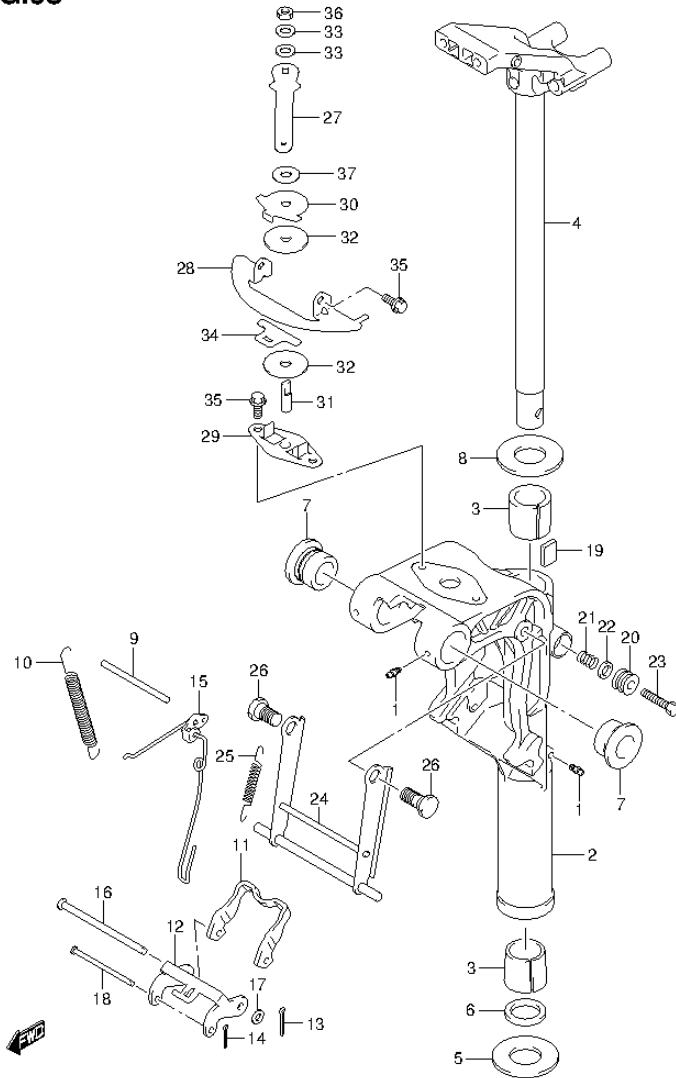


FIG.98 (1-I-9) SWIVEL BRACKET (DF9.9B P01)

REF NO.	PART NO.	DESCRIPTION	Q'TY	REMARKS
1	22511-92L00	NIPPLE	3	
2-1	43111-89L00-0EP	BRACKET, SWIVEL (S) (BLACK)	1	W/TRANSOM(S)
2-2	43111-89L10-0EP	BRACKET, SWIVEL (L) (BLACK)	1	W/TRANSOM(L)
3	43711-99J00	BUSH, STEERING	2	
4-1	43750-99J40-0EP	BRACKET, STEERING (S) (BLACK)	1	W/TRANSOM(S)
4-2	43750-99J50-0EP	BRACKET, STEERING (L) (BLACK)	1	W/TRANSOM(L)
5	09160-27013	WASHER (27.5X47X2)	1	
6	09282-27002	OIL SEAL (26X39X5)	1	
7	43211-87JL0	BUSH, SWIVEL BRACKET	2	
8	09160-27012	WASHER (27.5X47X1)	1	
9	41225-89L00	PIN, RELEASE ARM	1	
10	45212-89L00	SPRING, REVERSE LOCK ARM	2	
11	45231-89L00	ARM, REVERSE LOCK	1	
12	45241-89L00	LINK, REVERSE LOCK ARM	1	
13	09204-01002	PIN	1	
14	45247-99J00	PIN, REV LOCK ARM COTTER	1	
15	45250-89L00	LINK, RELEASE	1	
16	09200-06061	PIN	1	
17	09160-06082	WASHER (6.5X13X1.0)	1	
18	09200-05014	PIN	1	
19	43411-939L0	PLATE, STEERING ADJUSTER	1	
20	43412-93900	COVER, STEERING ADJUSTER	1	
21	29440-93J00	SPRING, STEERING ADJUSTER	1	
22	09160-08082	WASHER (8.5X16X1.2)	1	
23	09100-08232	BOLT (8X30)	1	
24	45710-89L00	ARM, SHALLOW DRIVE	1	
25	45722-94J11	SPRING, ARM	1	
26	09111-10067	BOLT	2	
27	43411-89L00	LEVER, STEERING ADJUSTER	1	
28	43415-89L00	PLATE, STEERING ADJUSTER(H)	1	
29	43420-89L00	PLATE, STRG ADJ FRICTION	1	
30	43425-89L00	PLATE, STRG ADJ UPPER	1	
31	43512-89L00	SHAFT, STRG ADJ THREAD(H)	1	
32	43515-88L00	WASHER, STRG ADJ FRICTIONPLATE	2	

FIG.98

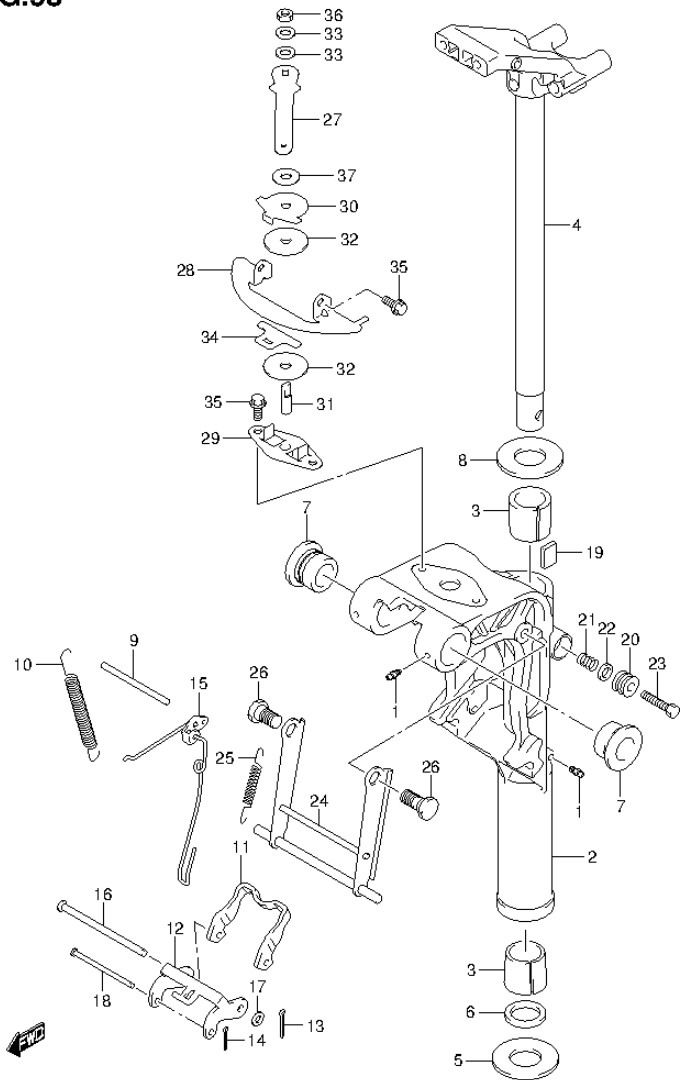


FIG.98 (1-I-10) SWIVEL BRACKET (DF9.9B P01)

REF NO.	PART NO.	DESCRIPTION	Q'TY	REMARKS
33	43516-89J00	WASHER, STEERING ADJUSTER	2	
34	43517-89L00	SPACER, STEERING ADJUSTER	1	
35	09116-06225	BOLT (6X15)	4	
36	09159-08L02	NUT	1	
37	09161-08019	WASHER (8.2X18X1.2)	1	

FIG.99

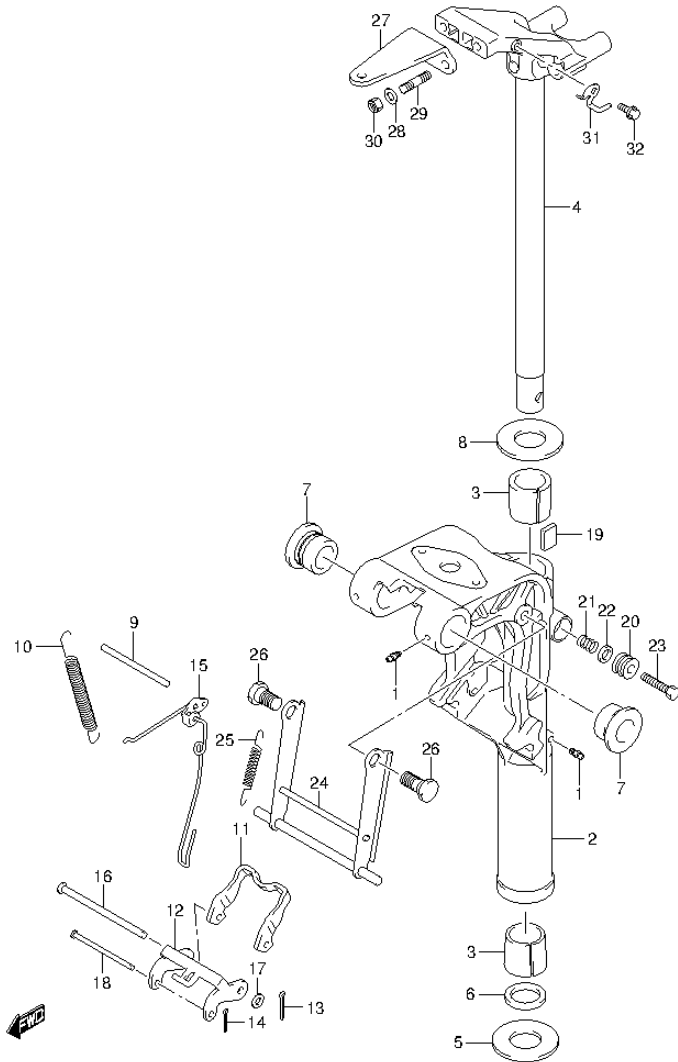


FIG.99 (1-I-11) SWIVEL BRACKET (DF9.9BR P01)

REF NO.	PART NO.	DESCRIPTION	Q'TY	REMARKS
1	22511-92L00	NIPPLE	3	
2-1	43111-89L00-0EP	BRACKET, SWIVEL (S) (BLACK)	1	W/TRANSOM(S)
2-2	43111-89L10-0EP	BRACKET, SWIVEL (L) (BLACK)	1	W/TRANSOM(L)
3	43711-99J00	BUSH, STEERING	2	
4-1	43750-99J40-0EP	BRACKET, STEERING (S) (BLACK)	1	W/TRANSOM(S)
4-2	43750-99J50-0EP	BRACKET, STEERING (L) (BLACK)	1	W/TRANSOM(L)
5	09160-27013	WASHER (27.5X47X2)	1	
6	09282-27002	OIL SEAL (26X39X5)	1	
7	43211-87JL0	BUSH, SWIVEL BRACKET	2	
8	09160-27012	WASHER (27.5X47X1)	1	
9	41225-89L00	PIN, RELEASE ARM	1	
10	45212-89L00	SPRING, REVERSE LOCK ARM	2	
11	45231-89L00	ARM, REVERSE LOCK	1	
12	45241-89L00	LINK, REVERSE LOCK ARM	1	
13	09204-01002	PIN	1	
14	45247-99J00	PIN, REV LOCK ARM COTTER	1	
15	45250-89L00	LINK, RELEASE	1	
16	09200-06061	PIN	1	
17	09160-06082	WASHER (6.5X13X1.0)	1	
18	09200-05014	PIN	1	
19	43411-939L0	PLATE, STEERING ADJUSTER	1	
20	43412-93900	COVER, STEERING ADJUSTER	1	
21	29440-93J00	SPRING, STEERING ADJUSTER	1	
22	09160-08082	WASHER (8.5X16X1.2)	1	
23	09100-08232	BOLT (8X30)	1	
24	45710-89L00	ARM, SHALLOW DRIVE	1	
25	45722-94J11	SPRING, ARM	1	
26	09111-10067	BOLT	2	
27	43755-99J00	ATTACHMENT, STEERING BRACKET	1	
28	09160-08082	WASHER (8.5X16X1.2)	2	
29	09108-08286	STUD BOLT	2	
30	09159-08059	NUT	2	
31	43759-89L00	HOLDER, DRAIN HOSE	1	
32	09116-06225	BOLT (6X15)	1	

FIG.100

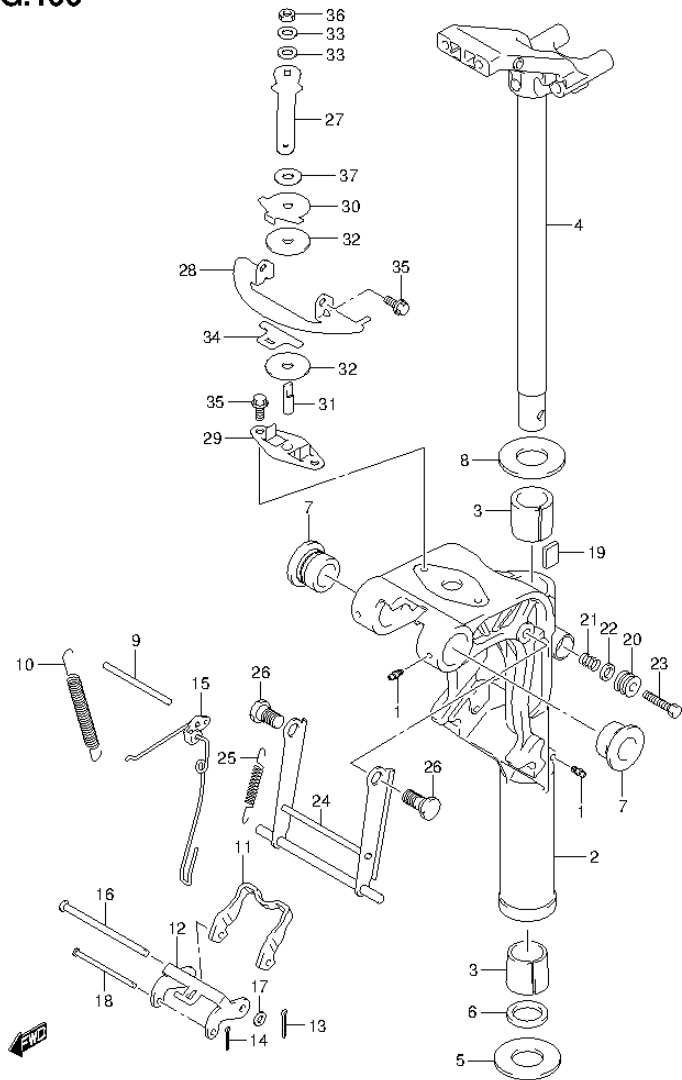


FIG.100 (1-I-12) SWIVEL BRACKET (DF15A P01)

REF NO.	PART NO.	DESCRIPTION	Q'TY	REMARKS
1	22511-92L00	NIPPLE	3	
2-1	43111-89L00-0EP	BRACKET, SWIVEL (S) (BLACK)	1	W/TRANSOM(S)
2-2	43111-89L10-0EP	BRACKET, SWIVEL (L) (BLACK)	1	W/TRANSOM(L)
3	43711-99J00	BUSH, STEERING	2	
4-1	43750-99J40-0EP	BRACKET, STEERING (S) (BLACK)	1	W/TRANSOM(S)
4-2	43750-99J50-0EP	BRACKET, STEERING (L) (BLACK)	1	W/TRANSOM(L)
5	09160-27013	WASHER (27.5X47X2)	1	
6	09282-27002	OIL SEAL (26X39X5)	1	
7	43211-87JL0	BUSH, SWIVEL BRACKET	2	
8	09160-27012	WASHER (27.5X47X1)	1	
9	41225-89L00	PIN, RELEASE ARM	1	
10	45212-89L00	SPRING, REVERSE LOCK ARM	2	
11	45231-89L00	ARM, REVERSE LOCK	1	
12	45241-89L00	LINK, REVERSE LOCK ARM	1	
13	09204-01002	PIN	1	
14	45247-99J00	PIN, REV LOCK ARM COTTER	1	
15	45250-89L00	LINK, RELEASE	1	
16	09200-06061	PIN	1	
17	09160-06082	WASHER (6.5X13X1.0)	1	
18	09200-05014	PIN	1	
19	43411-939L0	PLATE, STEERING ADJUSTER	1	
20	43412-93900	COVER, STEERING ADJUSTER	1	
21	29440-93J00	SPRING, STEERING ADJUSTER	1	
22	09160-08082	WASHER (8.5X16X1.2)	1	
23	09100-08232	BOLT (8X30)	1	
24	45710-89L00	ARM, SHALLOW DRIVE	1	
25	45722-94J11	SPRING, ARM	1	
26	09111-10067	BOLT	2	
27	43411-89L00	LEVER, STEERING ADJUSTER	1	
28	43415-89L00	PLATE, STRG ADJ(H)	1	
29	43420-89L00	PLATE, STRG ADJ FRICTION	1	
30	43425-89L00	PLATE, STRG ADJ UPPER	1	
31	43512-89L00	SHAFT, STRG ADJ THREAD(H)	1	
32	43515-88L00	WASHER, STRG ADJ FRICTIONPLAT	2	

FIG.100

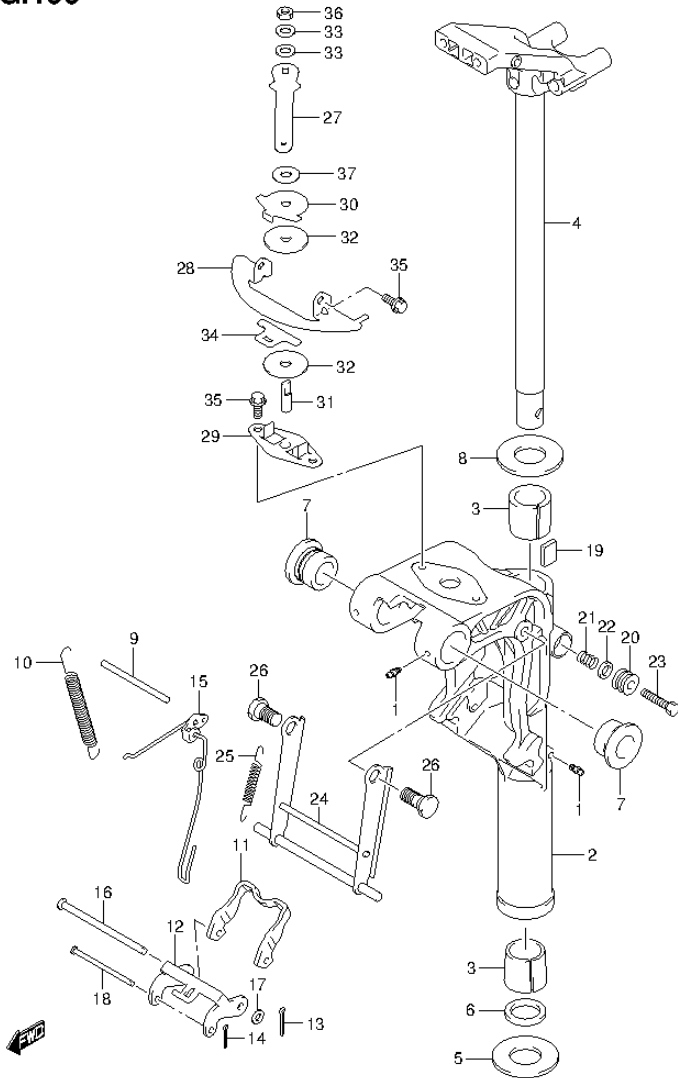


FIG.100 (1-I-13) SWIVEL BRACKET (DF15A P01)

REF NO.	PART NO.	DESCRIPTION	Q'TY	REMARKS
33	43516-89J00	WASHER, STEERING ADJUSTER	2	
34	43517-89L00	SPACER, STEERING ADJUSTER	1	
35	09116-06225	BOLT (6X15)	4	
36	09159-08L02	NUT	1	
37	09161-08019	WASHER (8.2X18X1.2)	1	

FIG.101

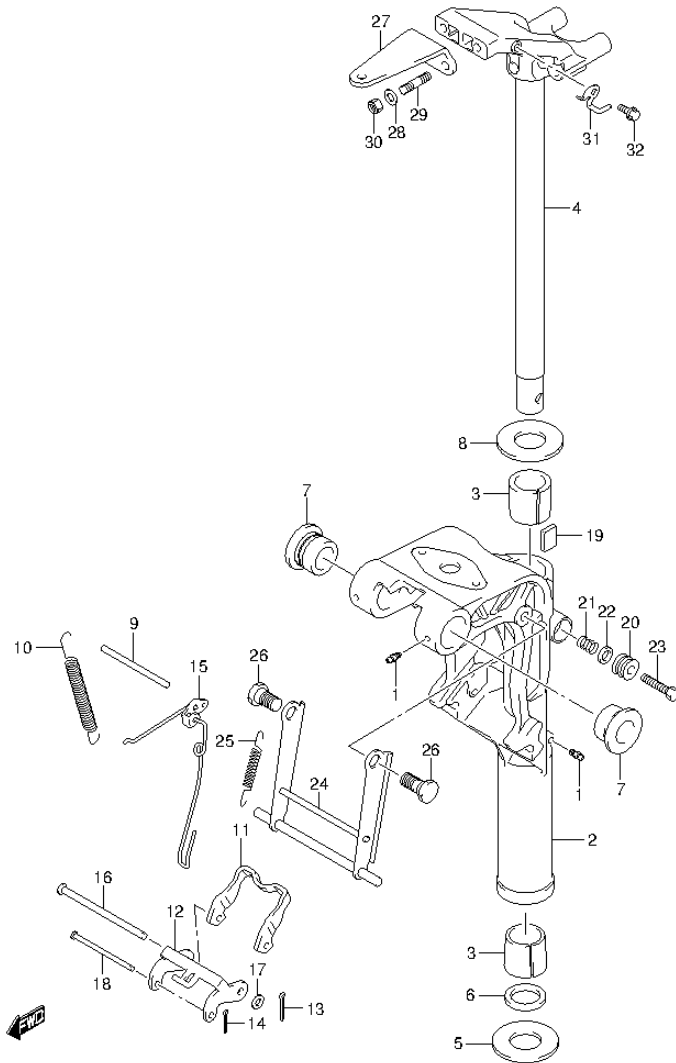


FIG.101 (1-I-14) SWIVEL BRACKET (DF15AR P01)

REF NO.	PART NO.	DESCRIPTION	Q'TY	REMARKS
1	22511-92L00	NIPPLE	3	
2-1	43111-89L00-0EP	BRACKET, SWIVEL (S) (BLACK)	1	W/TRANSOM(S)
2-2	43111-89L10-0EP	BRACKET, SWIVEL (L) (BLACK)	1	W/TRANSOM(L)
3	43711-99J00	BUSH, STEERING	2	
4-1	43750-99J40-0EP	BRACKET, STEERING (S) (BLACK)	1	W/TRANSOM(S)
4-2	43750-99J50-0EP	BRACKET, STEERING (L) (BLACK)	1	W/TRANSOM(L)
5	09160-27013	WASHER (27.5X47X2)	1	
6	09282-27002	OIL SEAL (26X39X5)	1	
7	43211-87JL0	BUSH, SWIVEL BRACKET	2	
8	09160-27012	WASHER (27.5X47X1)	1	
9	41225-89L00	PIN, RELEASE ARM	1	
10	45212-89L00	SPRING, REVERSE LOCK ARM	2	
11	45231-89L00	ARM, REVERSE LOCK	1	
12	45241-89L00	LINK, REVERSE LOCK ARM	1	
13	09204-01002	PIN	1	
14	45247-99J00	PIN, REV LOCK ARM COTTER	1	
15	45250-89L00	LINK, RELEASE	1	
16	09200-06061	PIN	1	
17	09160-06082	WASHER (6.5X13X1.0)	1	
18	09200-05014	PIN	1	
19	43411-939L0	PLATE, STEERING ADJUSTER	1	
20	43412-93900	COVER, STEERING ADJUSTER	1	
21	29440-93J00	SPRING, STEERING ADJUSTER	1	
22	09160-08082	WASHER (8.5X16X1.2)	1	
23	09100-08232	BOLT (8X30)	1	
24	45710-89L00	ARM, SHALLOW DRIVE	1	
25	45722-94J11	SPRING, ARM	1	
26	09111-10067	BOLT	2	
27	43755-99J00	ATTACHMENT, STEERING BRACKET	1	
28	09160-08082	WASHER (8.5X16X1.2)	2	
29	09108-08286	STUD BOLT	2	
30	09159-08059	NUT	2	
31	43759-89L00	HOLDER, DRAIN HOSE	1	
32	09116-06225	BOLT (6X15)	1	

FIG.102

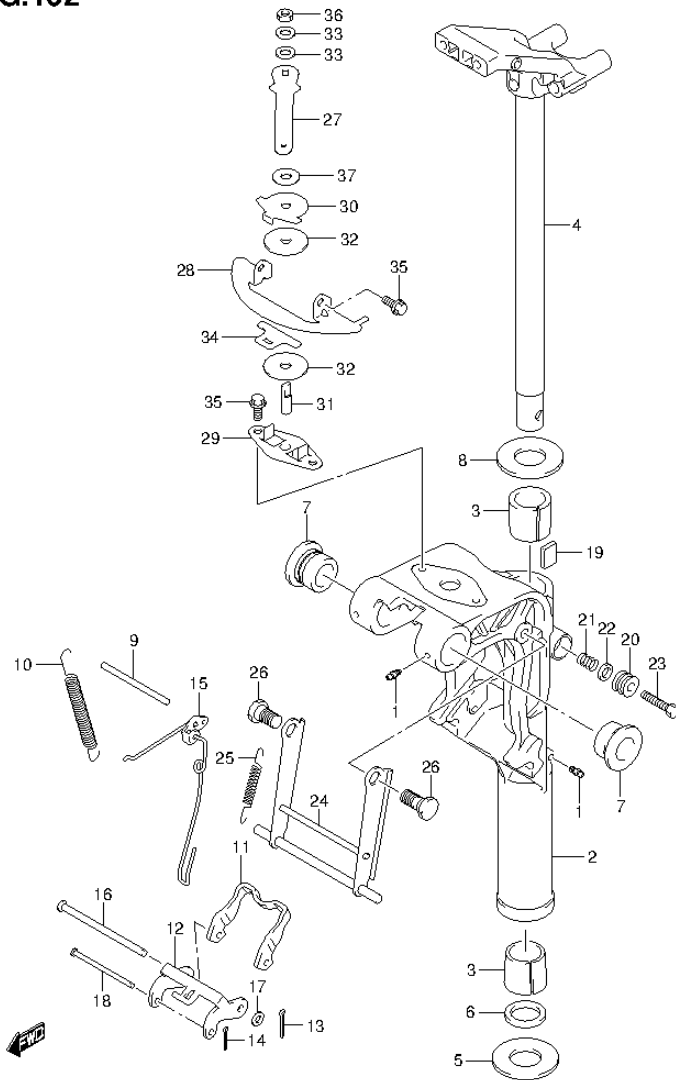


FIG.102 (1-I-15) SWIVEL BRACKET (DF20A P01)

REF NO.	PART NO.	DESCRIPTION	Q'TY	REMARKS
1	22511-92L00	NIPPLE	3	
2-1	43111-89L00-0EP	BRACKET, SWIVEL (S) (BLACK)	1	W/TRANSOM(S)
2-2	43111-89L10-0EP	BRACKET, SWIVEL (L) (BLACK)	1	W/TRANSOM(L)
3	43711-99J00	BUSH, STEERING	2	
4-1	43750-99J40-0EP	BRACKET, STEERING (S) (BLACK)	1	W/TRANSOM(S)
4-2	43750-99J50-0EP	BRACKET, STEERING (L) (BLACK)	1	W/TRANSOM(L)
5	09160-27013	WASHER (27.5X47X2)	1	
6	09282-27002	OIL SEAL (26X39X5)	1	
7	43211-87JL0	BUSH, SWIVEL BRACKET	2	
8	09160-27012	WASHER (27.5X47X1)	1	
9	41225-89L00	PIN, RELEASE ARM	1	
10	45212-89L00	SPRING, REVERSE LOCK ARM	2	
11	45231-89L00	ARM, REVERSE LOCK	1	
12	45241-89L00	LINK, REVERSE LOCK ARM	1	
13	09204-01002	PIN	1	
14	45247-99J00	PIN, REV LOCK ARM COTTER	1	
15	45250-89L00	LINK, RELEASE	1	
16	09200-06061	PIN	1	
17	09160-06082	WASHER (6.5X13X1.0)	1	
18	09200-05014	PIN	1	
19	43411-939L0	PLATE, STEERING ADJUSTER	1	
20	43412-93900	COVER, STEERING ADJUSTER	1	
21	29440-93J00	SPRING, STEERING ADJUSTER	1	
22	09160-08082	WASHER (8.5X16X1.2)	1	
23	09100-08232	BOLT (8X30)	1	
24	45710-89L00	ARM, SHALLOW DRIVE	1	
25	45722-94J11	SPRING, ARM	1	
26	09111-10067	BOLT	2	
27	43411-89L00	LEVER, STEERING ADJUSTER	1	
28	43415-89L00	PLATE, STRG ADJ(H)	1	
29	43420-89L00	PLATE, STRG ADJ FRICTION	1	
30	43425-89L00	PLATE, STRG ADJ UPPER	1	
31	43512-89L00	SHAFT, STRG ADJ THREAD(H)	1	
32	43515-88L00	WASHER, STRG ADJ FRICTIONPLAT	2	

FIG.102

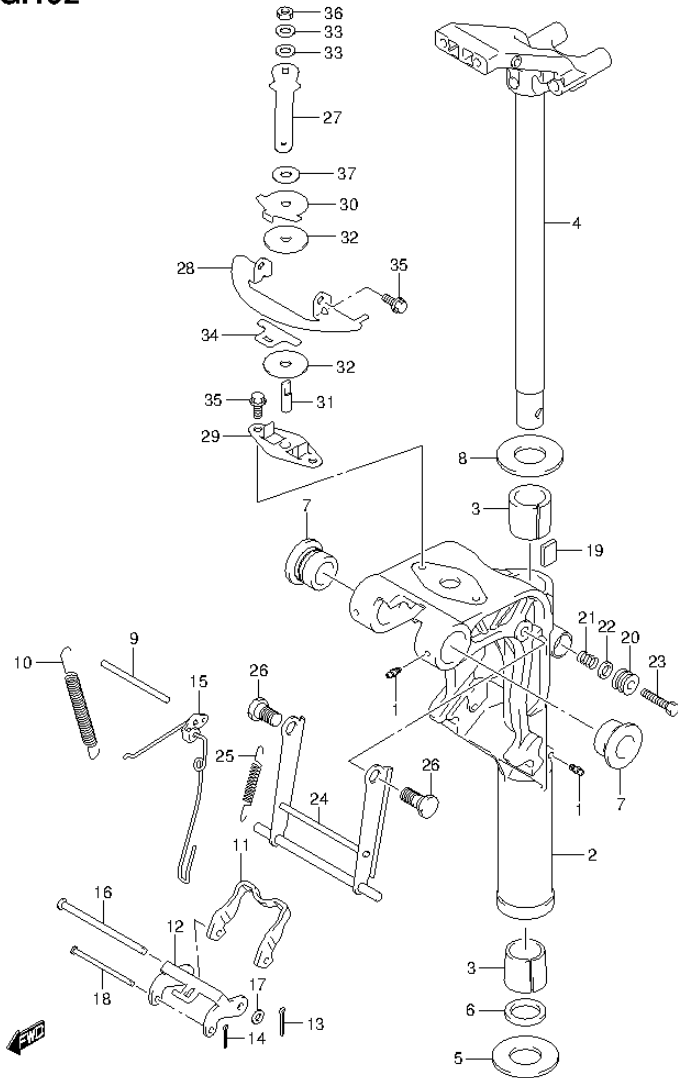


FIG.102 (1-J-2) SWIVEL BRACKET (DF20A P01)

REF NO.	PART NO.	DESCRIPTION	Q'TY	REMARKS
33	43516-89J00	WASHER, STEERING ADJUSTER	2	
34	43517-89L00	SPACER, STEERING ADJUSTER	1	
35	09116-06225	BOLT (6X15)	4	
36	09159-08L02	NUT	1	
37	09161-08019	WASHER (8.2X18X1.2)	1	

FIG.103

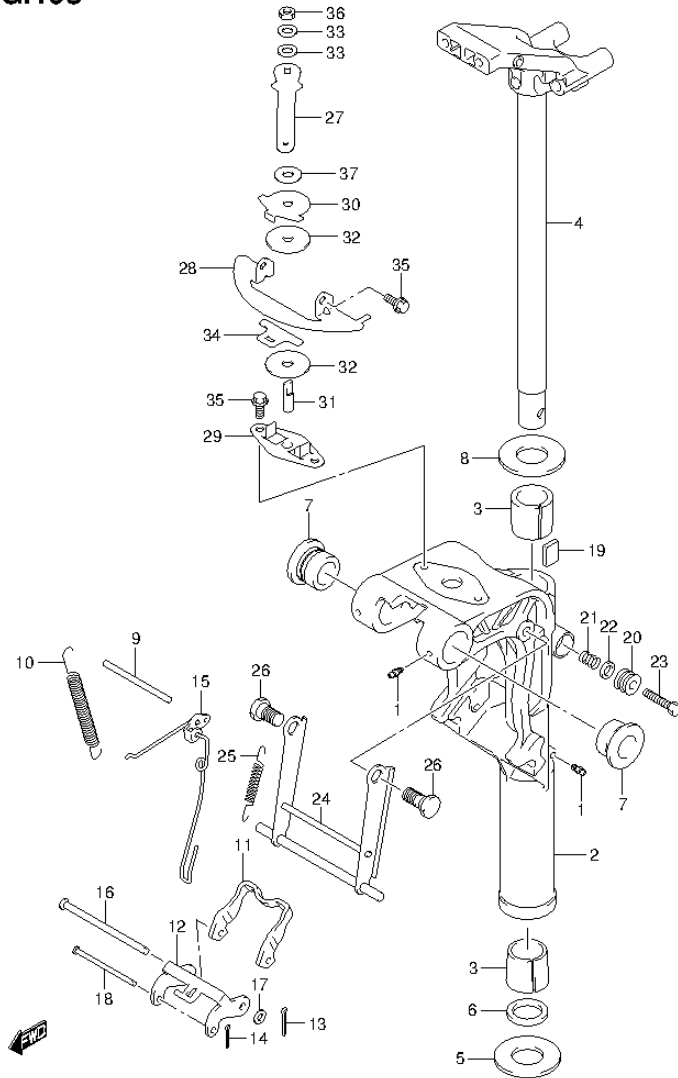


FIG.103 (1-J-3) SWIVEL BRACKET (DF20A P40)

REF NO.	PART NO.	DESCRIPTION	Q'TY	REMARKS
1	22511-92L00	NIPPLE	3	
2-1	43111-89L00-0EP	BRACKET, SWIVEL (S) (BLACK)	1	W/TRANSOM(S)
2-2	43111-89L10-0EP	BRACKET, SWIVEL (L) (BLACK)	1	W/TRANSOM(L)
3	43711-99J00	BUSH, STEERING	2	
4-1	43750-99J40-0EP	BRACKET, STEERING (S) (BLACK)	1	W/TRANSOM(S)
4-2	43750-99J50-0EP	BRACKET, STEERING (L) (BLACK)	1	W/TRANSOM(L)
5	09160-27013	WASHER (27.5X47X2)	1	
6	09282-27002	OIL SEAL (26X39X5)	1	
7	43211-87JL0	BUSH, SWIVEL BRACKET	2	
8	09160-27012	WASHER (27.5X47X1)	1	
9	41225-89L00	PIN, RELEASE ARM	1	
10	45212-89L00	SPRING, REVERSE LOCK ARM	2	
11	45231-89L00	ARM, REVERSE LOCK	1	
12	45241-89L00	LINK, REVERSE LOCK ARM	1	
13	09204-01002	PIN	1	
14	45247-99J00	PIN, REV LOCK ARM COTTER	1	
15	45250-89L00	LINK, RELEASE	1	
16	09200-06061	PIN	1	
17	09160-06082	WASHER (6.5X13X1.0)	1	
18	09200-05014	PIN	1	
19	43411-939L0	PLATE, STEERING ADJUSTER	1	
20	43412-93900	COVER, STEERING ADJUSTER	1	
21	29440-93J00	SPRING, STEERING ADJUSTER	1	
22	09160-08082	WASHER (8.5X16X1.2)	1	
23	09100-08232	BOLT (8X30)	1	
24	45710-89L00	ARM, SHALLOW DRIVE	1	
25	45722-94J11	SPRING, ARM	1	
26	09111-10067	BOLT	2	
27	43411-89L00	LEVER, STEERING ADJUSTER	1	
28	43415-89L00	PLATE, STEERING ADJUSTER(H)	1	
29	43420-89L00	PLATE, STRG ADJ FRICTION	1	
30	43425-89L00	PLATE, STRG ADJ UPPER	1	
31	43512-89L00	SHAFT, STRG ADJ THREAD(H)	1	
32	43515-88L00	WASHER, STRG ADJ FRICTIONPLATE	2	

FIG.103

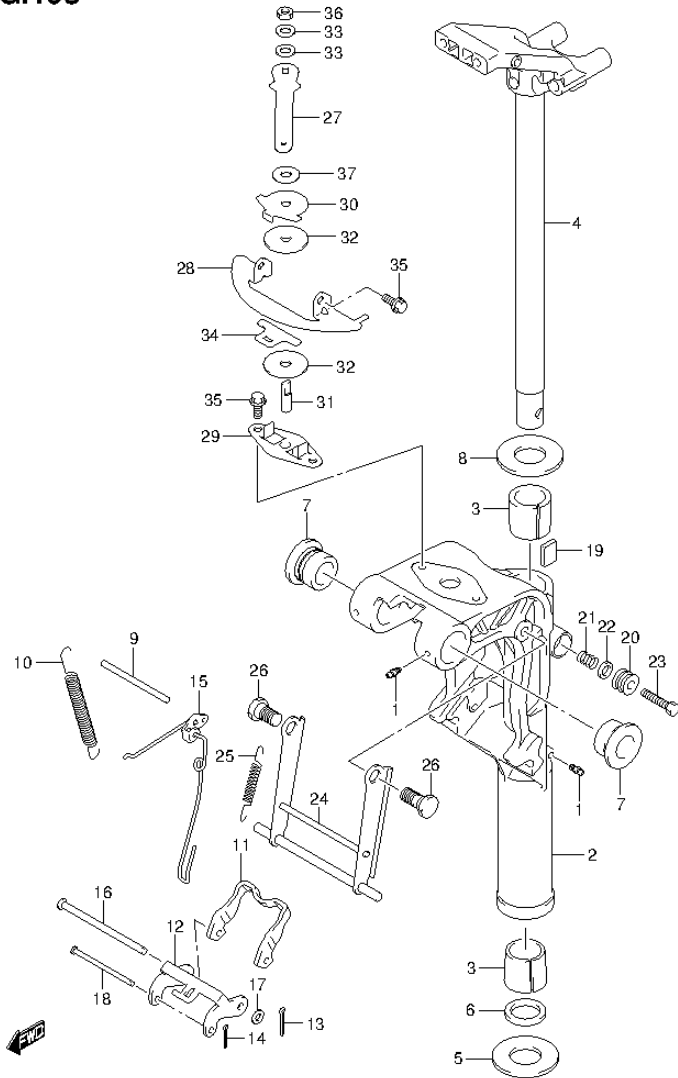


FIG.103 (1-J-4) SWIVEL BRACKET (DF20A P40)

REF NO.	PART NO.	DESCRIPTION	Q'TY	REMARKS
33	43516-89J00	WASHER, STEERING ADJUSTER	2	
34	43517-89L00	SPACER, STEERING ADJUSTER	1	
35	09116-06225	BOLT (6X15)	4	
36	09159-08L02	NUT	1	
37	09161-08019	WASHER (8.2X18X1.2)	1	

FIG.104

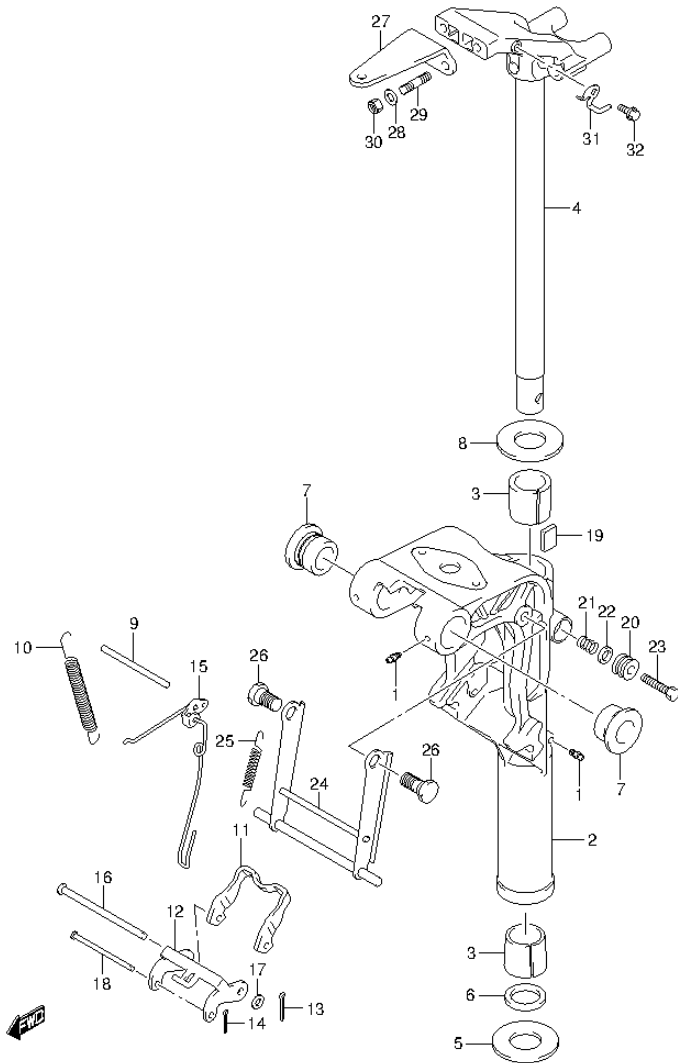


FIG.104 (1-J-5) SWIVEL BRACKET (DF20AR P01)

REF NO.	PART NO.	DESCRIPTION	Q'TY	REMARKS
1	22511-92L00	NIPPLE	3	
2-1	43111-89L00-0EP	BRACKET, SWIVEL (S) (BLACK)	1	W/TRANSOM(S)
2-2	43111-89L10-0EP	BRACKET, SWIVEL (L) (BLACK)	1	W/TRANSOM(L)
3	43711-99J00	BUSH, STEERING	2	
4-1	43750-99J40-0EP	BRACKET, STEERING (S) (BLACK)	1	W/TRANSOM(S)
4-2	43750-99J50-0EP	BRACKET, STEERING (L) (BLACK)	1	W/TRANSOM(L)
5	09160-27013	WASHER (27.5X47X2)	1	
6	09282-27002	OIL SEAL (26X39X5)	1	
7	43211-87JL0	BUSH, SWIVEL BRACKET	2	
8	09160-27012	WASHER (27.5X47X1)	1	
9	41225-89L00	PIN, RELEASE ARM	1	
10	45212-89L00	SPRING, REVERSE LOCK ARM	2	
11	45231-89L00	ARM, REVERSE LOCK	1	
12	45241-89L00	LINK, REVERSE LOCK ARM	1	
13	09204-01002	PIN	1	
14	45247-99J00	PIN, REV LOCK ARM COTTER	1	
15	45250-89L00	LINK, RELEASE	1	
16	09200-06061	PIN	1	
17	09160-06082	WASHER (6.5X13X1.0)	1	
18	09200-05014	PIN	1	
19	43411-939L0	PLATE, STEERING ADJUSTER	1	
20	43412-93900	COVER, STEERING ADJUSTER	1	
21	29440-93J00	SPRING, STEERING ADJUSTER	1	
22	09160-08082	WASHER (8.5X16X1.2)	1	
23	09100-08232	BOLT (8X30)	1	
24	45710-89L00	ARM, SHALLOW DRIVE	1	
25	45722-94J11	SPRING, ARM	1	
26	09111-10067	BOLT	2	
27	43755-99J00	ATTACHMENT, STEERING BRACKET	1	
28	09160-08082	WASHER (8.5X16X1.2)	2	
29	09108-08286	STUD BOLT	2	
30	09159-08059	NUT	2	
31	43759-89L00	HOLDER, DRAIN HOSE	1	
32	09116-06225	BOLT (6X15)	1	

FIG.105

FIG.105 (1-J-6) ENGINE HOLDER

REF NO.	PART NO.	DESCRIPTION	Q'TY	REMARKS
1-1	51110-89L00	HOLDER, ENGINE	1	UP TO VIN.312386 FOR DF15A UP TO VIN.312386 FOR DF15AR UP TO VIN.312652 FOR DF20A UP TO VIN.312652 FOR DF20AR
1-2	51110-89L01	HOLDER, ENGINE	1	FOR DF9.9B FOR DF9.9BR FROM VIN.312387 FOR DF15A FROM VIN.312387 FOR DF15AR FROM VIN.312653 FOR DF20A FROM VIN.312653 FOR DF20AR
2	51211-89L00	GASKET, ENGINE HOLDER	1	
3	09116-08151	BOLT (8X30)	3	
4	09202-06023	PIN (6X10)	2	
5	09282-12L04	OIL SEAL (12X25X7)	1	
6	16515-89L00	HOSE, OIL	1	
7	54112-99J01	BOLT, UPR MOUNT (L:123)	2	
8	54113-99JL0	WASHER, UPPER MOUNT BOLT	2	
9	54127-89L00	MOUNT, UPRER SIDE	1	
10	54125-99J00	STOPPER, UPR REVERSE THRUST	2	
11	54130-89L00	MOUNT, UPPER	2	
12	54137-89L00	COVER, UPPER MOUNT	2	
13	09116-08137	BOLT (8X22)	4	
14	09140-10031	NUT	2	
15	01560-08307	BOLT	7	
16	09401-12413	CLIP	1	

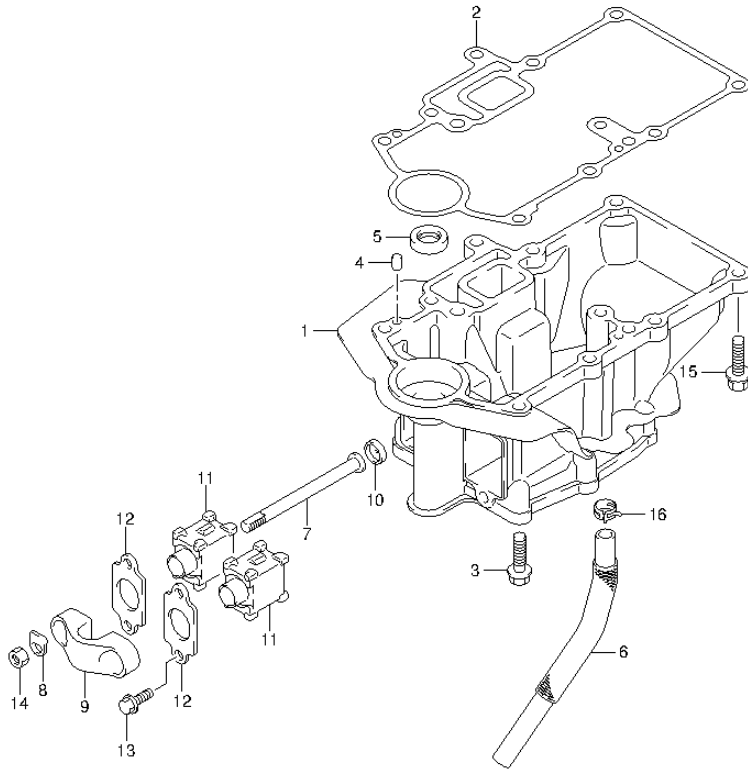


FIG.106

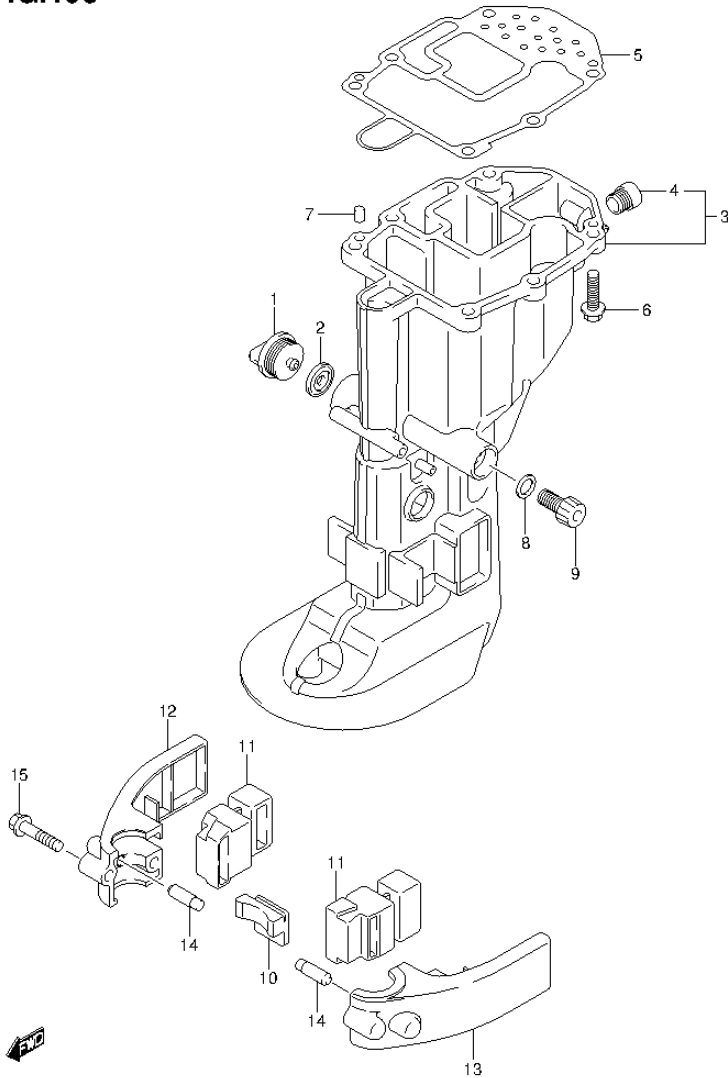


FIG.106 (1-J-7) DRIVE SHAFT HOUSING

REF NO.	PART NO.	DESCRIPTION	Q'TY	REMARKS
1	17913-93J00	PLUG, WATER	1	
2	17914-93JL0	GASKET, WATER PLUG	1	
3-1	52110-89L00-0EP	HOUSING, DRIVE SHAFT (S) (BLACK)	1	W/TRANSOM(S)
3-2	52110-89L10-0EP	HOUSING, DRIVE SHAFT (L) (BLACK)	1	W/TRANSOM(L)
4	43112-99E00	.PIPE, EXHAUST	1	
5	52113-89L00	GASKET, DRIVE SHAFT HOUSING	1	
6	09116-08151	BOLT (8X30)	6	
7	09202-06023	PIN (6X10)	2	
8	09168-12017	GASKET (12X17X1)	1	
9	09248-12009	PLUG (12X18.65)	1	
10	54151-99J00	MOUNT, LOWER THRUST	1	
11	54167-99J00	MOUNT, LOWER SIDE	2	
12	54211-99J00-0EP	COVER, LWR MOUNT STBD (BLACK)	1	
13	54221-99J00-0EP	COVER, LWR MOUNT PORT (BLACK)	1	
14	54213-93901	PIN, KNOCK	2	
15	09116-08154	BOLT (8X40)	2	

FIG.107

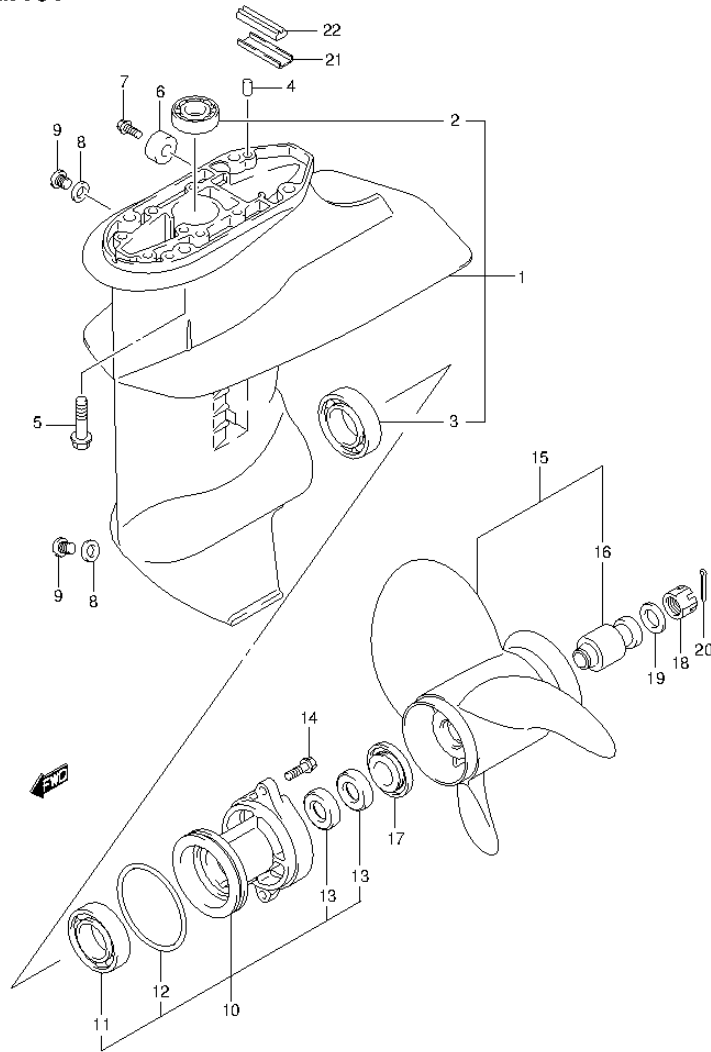


FIG.107 (1-J-8) GEAR CASE

REF NO.	PART NO.	DESCRIPTION	Q'TY	REMARKS
1	55100-99J40-0EP	CASE, GEAR (BLACK)	1	
2	09263-17L03	.BEARING (17X24X27.5)	1	
3	09262-25003	.BEARING (25X52X15)	1	
4	09202-06023	PIN (6X10)	2	
5	09116-08151	BOLT (8X30)	4	
6	55321-87J00	ANODE, PROTECTION	1	
7	09103-06281	BOLT (6X14)	1	
8	59178-97J00	GASKET, DRAIN PLUG	2	
9	09248-08001	PLUG (8X7.5)	2	
10	56120-99J40-0EP	HOUSING, PROPELLER SHAFT (BLACK)	1	
11	08110-60050	.BEARING	1	
12	09280-57002	.O RING (D:3.5,ID:65.2)	1	
13	09289-17L02	.OIL SEAL (17X30X6)	2	
14	09116-06227	BOLT (6X20)	2	
15-1	58100-89L00-019	PROPELLER, 3X9-1/4X7 (M701) (BLACK)	1	
15-2	58100-89L20-019	PROPELLER, 3X9-1/4X9 (M930) (BLACK)	1	
15-3	58100-89L30-019	PROPELLER, 3X9-1/4X10 (M1001) (BLACK)	1	
15-4	58100-89L40-019	PROPELLER, 3X9-1/4X11 (M1101) (BLACK)	1	
15-5	58100-90L40-019	PROPELLER, 3X9-1/4X8 (M821) (BLACK)	1	
15-6	58100-90L50-019	PROPELLER, 3X9-1/4X9 (M911) (BLACK)	1	
15-7	58100-90L60-019	PROPELLER, 3X9-1/4X10 (M1011) (BLACK)	1	
16	58120-89L00	.BUSH, PROPELLER	1	

FIG.107

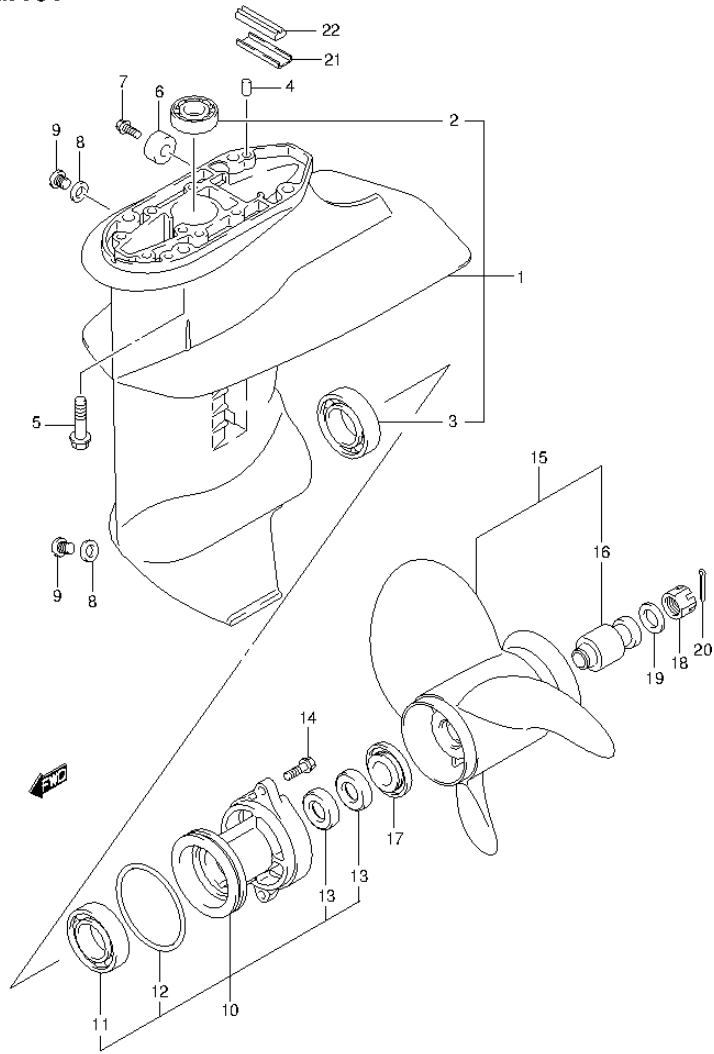


FIG.107 (1-J-9) GEAR CASE

REF NO.	PART NO.	DESCRIPTION	Q'TY	REMARKS
17	57632-94J00	STOPPER, PROPELLER BUSH	1	
18	09141-12005	NUT	1	
19	09160-12066	WASHER (12.5X22X2.5)	1	
20	09204-02004	PIN	1	
21	55331-99J10	CORE, EXHAUST SEAL	1	
22	55332-99J10	RUBBER, EXHAUST SEAL	1	
23	17917-87L00	CONNECTOR, FLUSH WATER	1	OPT NOT ILLUSTRATED
24	55321-87J10	ANODE (MAGNESIUM)	1	OPT NOT ILLUSTRATED

FIG.108

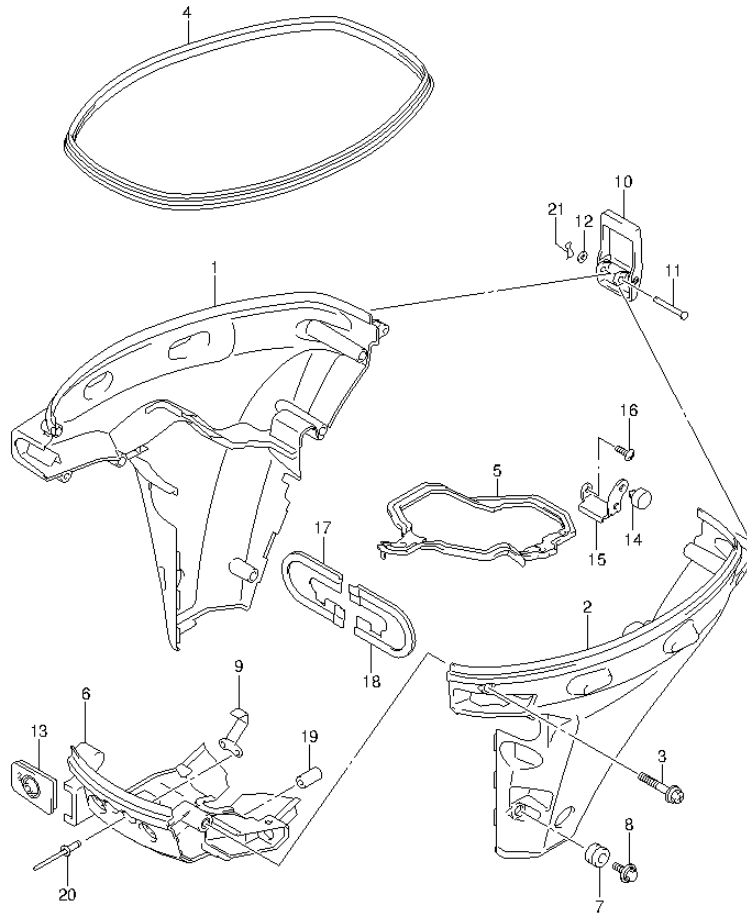


FIG.108 (1-J-10) SIDE COVER (DF9.9B P01)

REF NO.	PART NO.	DESCRIPTION	Q'TY	REMARKS
1	61810-89L00-RB4	COVER, SIDE STBD (BLACK)	1	
2	61820-89L00-RB4	COVER, SIDE PORT (BLACK)	1	
3	09136-06169	SCREW (6X35)	8	
4	61112-89L00	RUBBER, SIDE COVER	1	
5	61134-89L00	SEAL, SIDE COVER	1	
6	61831-89L00-0EP	PANEL, FRONT (BLACK)	1	
7	09320-11017	CUSHION	2	
8	09136-06168	SCREW (6X17)	2	
9	61412-89L00	HOOK, FRONT PANEL	1	
10	61610-90L00	FASTENER	1	
11	61616-93EL0	PIN, LEVER	1	
12	09161-04012	WASHER (4.2X11X1)	1	
13	61124-89L00	GROMMET, CABLE	1	
14	61151-91J11	CUSHION, LOWER COVER HOLDER	1	
15	61827-89L00	HOLDER, SIDE COVER	1	
16	02142-06167	SCREW	1	
17	54144-89L10	SEAL, UPPER MOUNT STBD	1	
18	54145-89L00	SEAL, UPPER MOUNT PORT	1	
19	09251-09007	CUSHION	2	
20	09229-04005	RIVET	2	
21	09385-04003	CLIP	1	

FIG.109

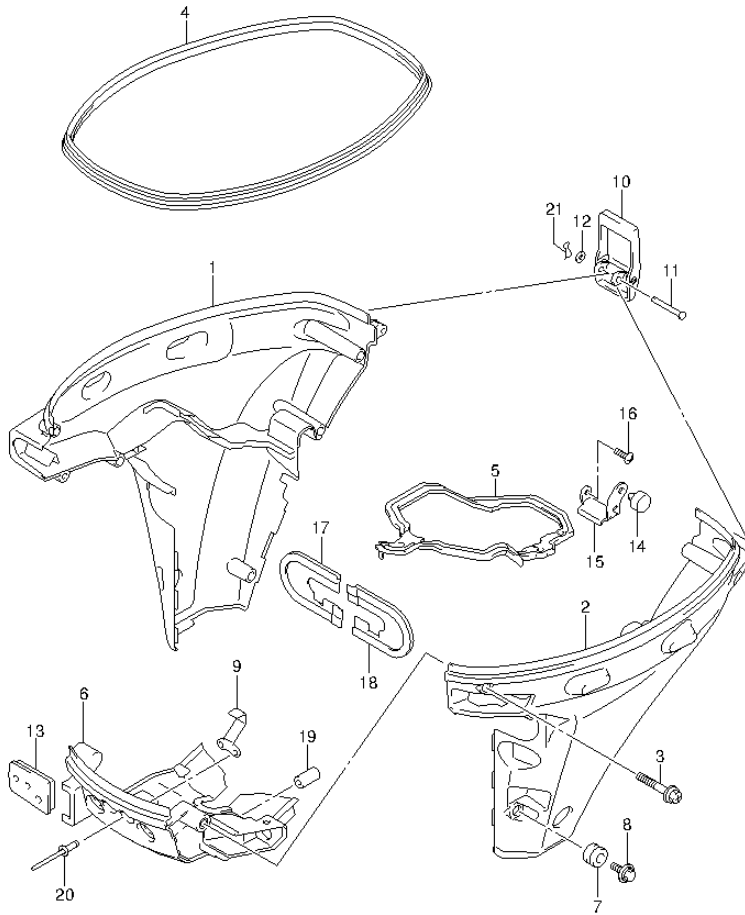


FIG.109 (1-J-11) SIDE COVER (DF9.9BR P01)

REF NO.	PART NO.	DESCRIPTION	Q'TY	REMARKS
1	61810-89L00-RB4	COVER, SIDE STBD (BLACK)	1	
2	61820-89L00-RB4	COVER, SIDE PORT (BLACK)	1	
3	09136-06169	SCREW (6X35)	8	
4	61112-89L00	RUBBER, SIDE COVER	1	
5	61134-89L00	SEAL, SIDE COVER	1	
6	61831-89L00-0EP	PANEL, FRONT (BLACK)	1	
7	09320-11017	CUSHION	2	
8	09136-06168	SCREW (6X17)	2	
9	61412-89L00	HOOK, FRONT PANEL	1	
10	61610-90L00	FASTENER	1	
11	61616-93EL0	PIN, LEVER	1	
12	09161-04012	WASHER (4.2X11X1)	1	
13	61124-89L20	GROMMET, CABLE	1	
14	61151-91J11	CUSHION, LOWER COVER HOLDER	1	
15	61827-89L00	HOLDER, SIDE COVER	1	
16	02142-06167	SCREW	1	
17	54144-89L10	SEAL, UPPER MOUNT STBD	1	
18	54145-89L00	SEAL, UPPER MOUNT PORT	1	
19	09251-09007	CUSHION	2	
20	09229-04005	RIVET	2	
21	09385-04003	CLIP	1	

FIG.110

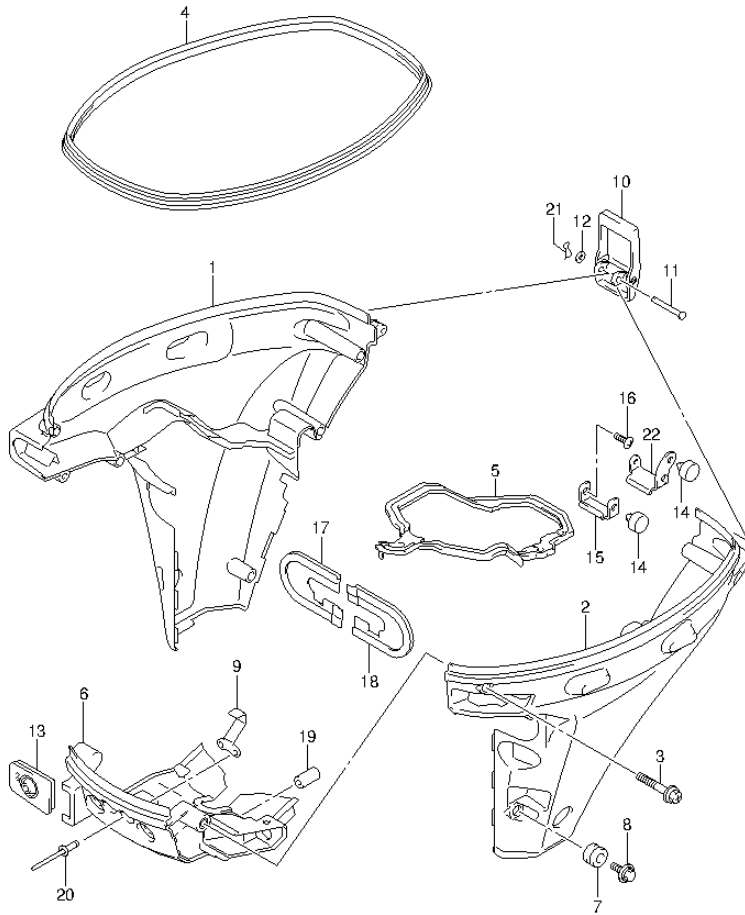


FIG.110 (1-J-12) SIDE COVER (DF15A P01)

REF NO.	PART NO.	DESCRIPTION	Q'TY	REMARKS
1	61810-89L00-RB4	COVER, SIDE STBD (BLACK)	1	
2	61820-89L00-RB4	COVER, SIDE PORT (BLACK)	1	
3	09136-06169	SCREW (6X35)	8	
4	61112-89L00	RUBBER, SIDE COVER	1	
5	61134-89L00	SEAL, SIDE COVER	1	
6	61831-89L00-0EP	PANEL, FRONT (BLACK)	1	
7	09320-11017	CUSHION	2	
8	09136-06168	SCREW (6X17)	2	
9	61412-89L00	HOOK, FRONT PANEL	1	
10	61610-90L00	FASTENER	1	
11	61616-93EL0	PIN, LEVER	1	
12	09161-04012	WASHER (4.2X11X1)	1	
13	61124-89L00	GROMMET, CABLE	1	
14	61151-91J11	CUSHION, LOWER COVER HOLDER	1	
15	61827-94J01	HOLDER, SIDE COVER	1	UP TO VIN.311516
16	02142-06167	SCREW	1	
17	54144-89L10	SEAL, UPPER MOUNT STBD	1	
18	54145-89L00	SEAL, UPPER MOUNT PORT	1	
19	09251-09007	CUSHION	2	
20	09229-04005	RIVET	2	
21	09385-04003	CLIP	1	
22	61827-89L00	HOLDER, SIDE COVER	1	FROM VIN.311517

FIG.111

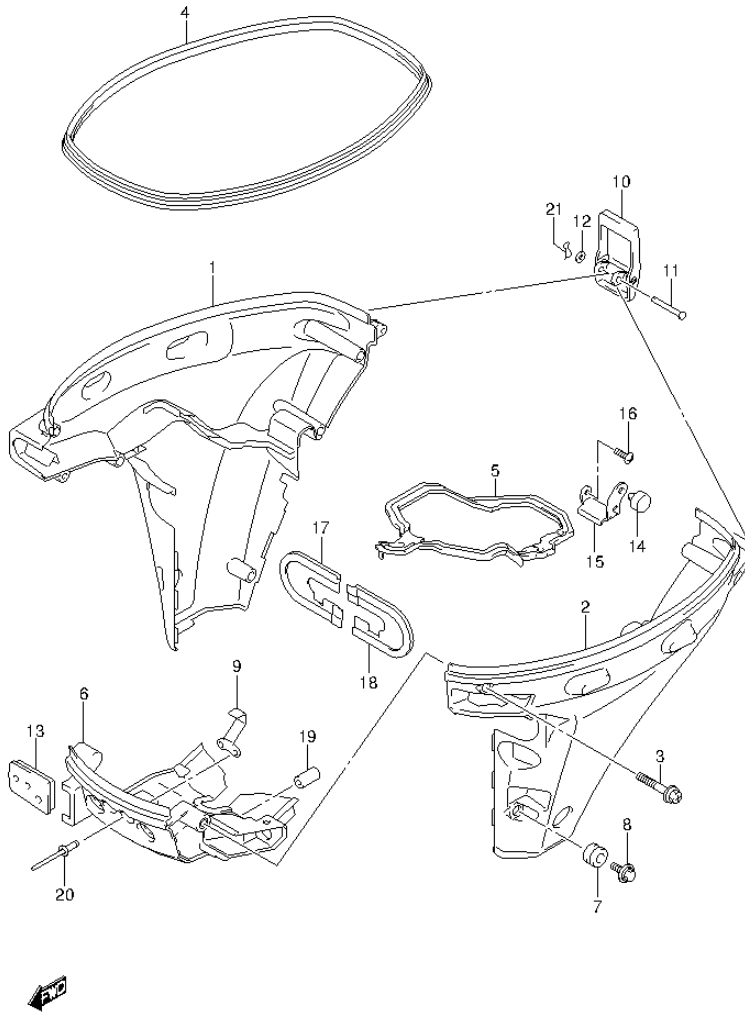


FIG.111 (1-J-13) SIDE COVER (DF15AR P01)

REF NO.	PART NO.	DESCRIPTION	Q'TY	REMARKS
1	61810-89L00-RB4	COVER, SIDE STBD (BLACK)	1	
2	61820-89L00-RB4	COVER, SIDE PORT (BLACK)	1	
3	09136-06169	SCREW (6X35)	8	
4	61112-89L00	RUBBER, SIDE COVER	1	
5	61134-89L00	SEAL, SIDE COVER	1	
6	61831-89L00-0EP	PANEL, FRONT (BLACK)	1	
7	09320-11017	CUSHION	2	
8	09136-06168	SCREW (6X17)	2	
9	61412-89L00	HOOK, FRONT PANEL	1	
10	61610-90L00	FASTENER	1	
11	61616-93EL0	PIN, LEVER	1	
12	09161-04012	WASHER (4.2X11X1)	1	
13	61124-89L20	GROMMET, CABLE	1	
14	61151-91J11	CUSHION, LOWER COVER HOLDER	1	
15	61827-89L00	HOLDER, SIDE COVER	1	
16	02142-06167	SCREW	1	
17	54144-89L10	SEAL, UPPER MOUNT STBD	1	
18	54145-89L00	SEAL, UPPER MOUNT PORT	1	
19	09251-09007	CUSHION	2	
20	09229-04005	RIVET	2	
21	09385-04003	CLIP	1	

FIG.112

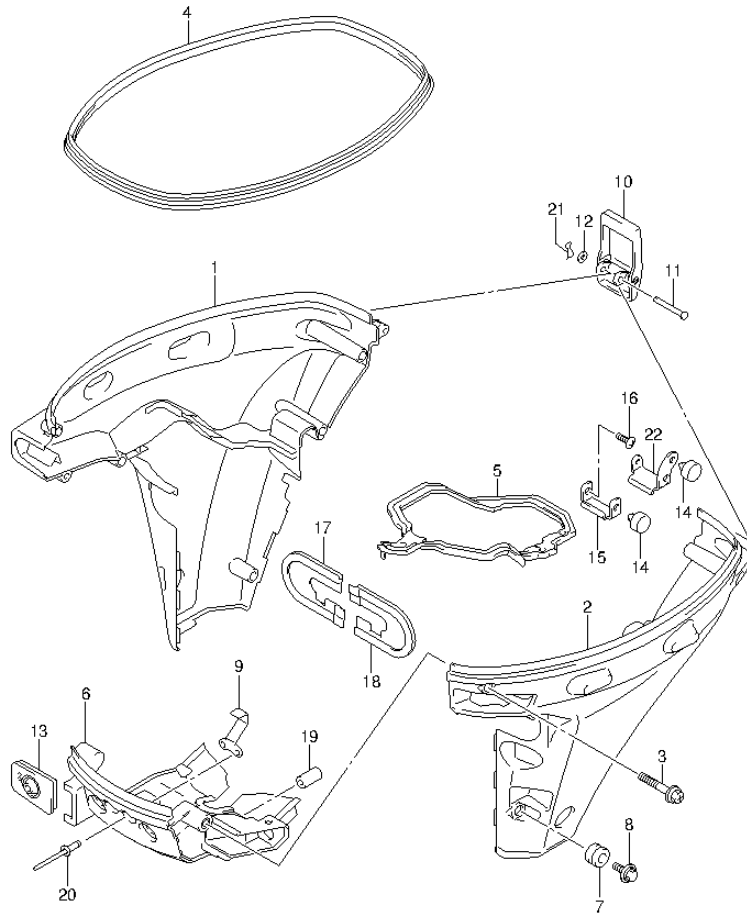


FIG.112 (1-J-14) SIDE COVER (DF20A P01)

REF NO.	PART NO.	DESCRIPTION	Q'TY	REMARKS
1	61810-89L00-RB4	COVER, SIDE STBD (BLACK)	1	
2	61820-89L00-RB4	COVER, SIDE PORT (BLACK)	1	
3	09136-06169	SCREW (6X35)	8	
4	61112-89L00	RUBBER, SIDE COVER	1	
5	61134-89L00	SEAL, SIDE COVER	1	
6	61831-89L00-0EP	PANEL, FRONT (BLACK)	1	
7	09320-11017	CUSHION	2	
8	09136-06168	SCREW (6X17)	2	
9	61412-89L00	HOOK, FRONT PANEL	1	
10	61610-90L00	FASTENER	1	
11	61616-93EL0	PIN, LEVER	1	
12	09161-04012	WASHER (4.2X11X1)	1	
13	61124-89L00	GROMMET, CABLE	1	
14	61151-91J11	CUSHION, LOWER COVER HOLDER	1	
15	61827-94J01	HOLDER, SIDE COVER	1	UP TO VIN.311329
16	02142-06167	SCREW	1	
17	54144-89L10	SEAL, UPPER MOUNT STBD	1	
18	54145-89L00	SEAL, UPPER MOUNT PORT	1	
19	09251-09007	CUSHION	2	
20	09229-04005	RIVET	2	
21	09385-04003	CLIP	1	
22	61827-89L00	HOLDER, SIDE COVER	1	FROM VIN.311330

FIG.113

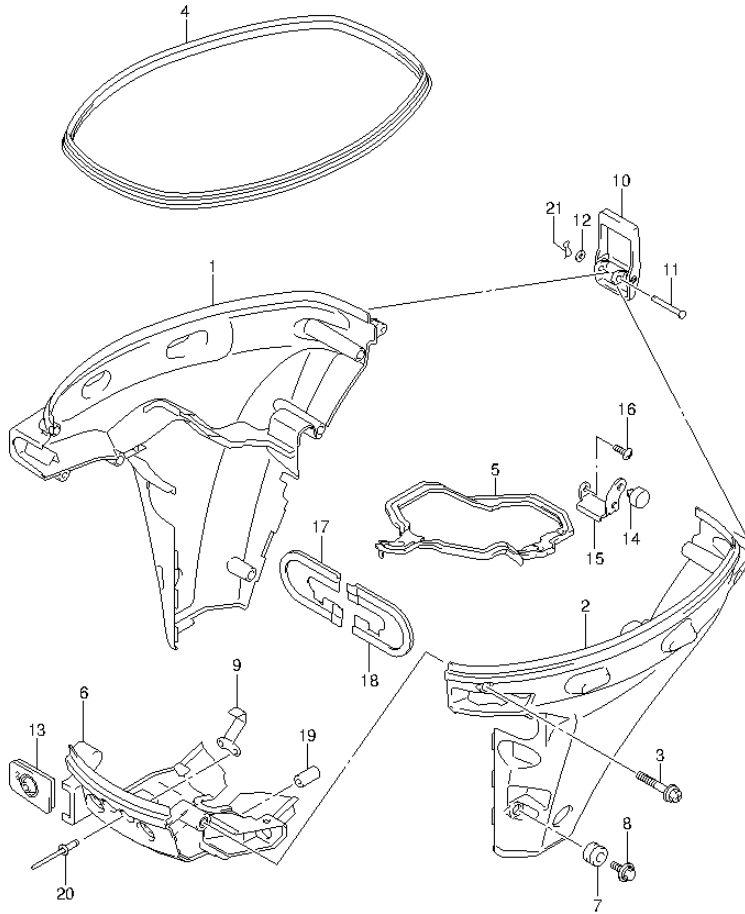


FIG.113 (1-J-15) SIDE COVER (DF20A P40)

REF NO.	PART NO.	DESCRIPTION	Q'TY	REMARKS
1	61810-89L00-RB4	COVER, SIDE STBD (BLACK)	1	
2	61820-89L00-RB4	COVER, SIDE PORT (BLACK)	1	
3	09136-06169	SCREW (6X35)	8	
4	61112-89L00	RUBBER, SIDE COVER	1	
5	61134-89L00	SEAL, SIDE COVER	1	
6	61831-89L00-0EP	PANEL, FRONT (BLACK)	1	
7	09320-11017	CUSHION	2	
8	09136-06168	SCREW (6X17)	2	
9	61412-89L00	HOOK, FRONT PANEL	1	
10	61610-90L00	FASTENER	1	
11	61616-93EL0	PIN, LEVER	1	
12	09161-04012	WASHER (4.2X11X1)	1	
13	61124-89L00	GROMMET, CABLE	1	
14	61151-91J11	CUSHION, LOWER COVER HOLDER	1	
15	61827-89L00	HOLDER, SIDE COVER	1	
16	02142-06167	SCREW	1	
17	54144-89L10	SEAL, UPPER MOUNT STBD	1	
18	54145-89L00	SEAL, UPPER MOUNT PORT	1	
19	09251-09007	CUSHION	2	
20	09229-04005	RIVET	2	
21	09385-04003	CLIP	1	

FIG.114

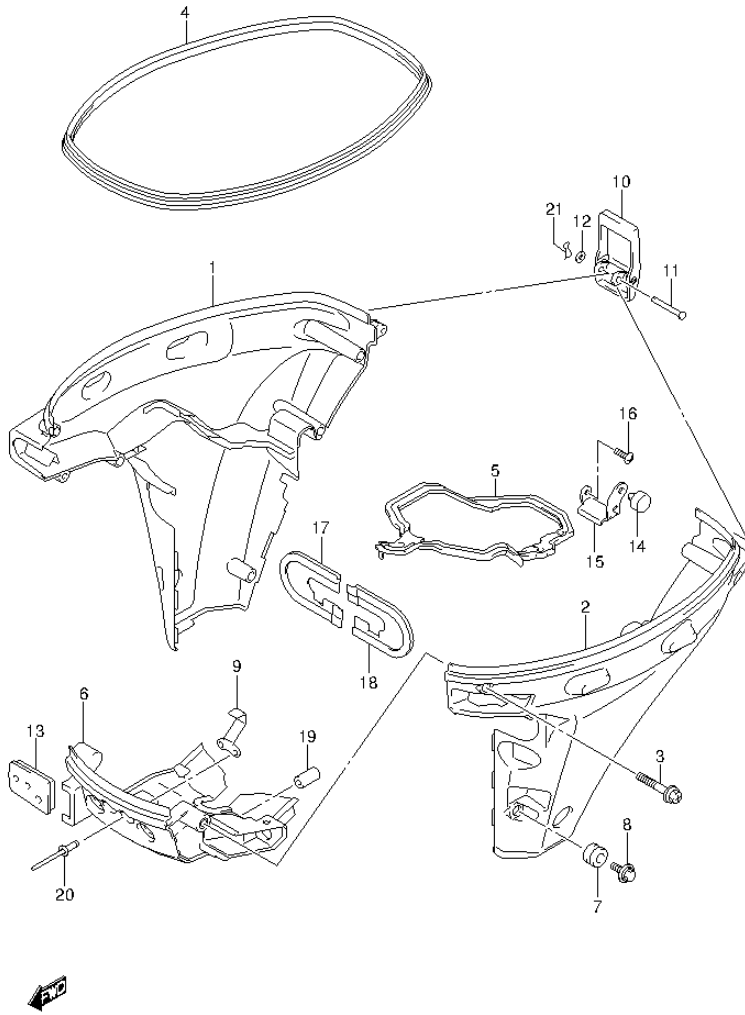


FIG.114 (1-K-2) SIDE COVER (DF20AR P01)

REF NO.	PART NO.	DESCRIPTION	Q'TY	REMARKS
1	61810-89L00-RB4	COVER, SIDE STBD (BLACK)	1	
2	61820-89L00-RB4	COVER, SIDE PORT (BLACK)	1	
3	09136-06169	SCREW (6X35)	8	
4	61112-89L00	RUBBER, SIDE COVER	1	
5	61134-89L00	SEAL, SIDE COVER	1	
6	61831-89L00-0EP	PANEL, FRONT (BLACK)	1	
7	09320-11017	CUSHION	2	
8	09136-06168	SCREW (6X17)	2	
9	61412-89L00	HOOK, FRONT PANEL	1	
10	61610-90L00	FASTENER	1	
11	61616-93EL0	PIN, LEVER	1	
12	09161-04012	WASHER (4.2X11X1)	1	
13	61124-89L20	GROMMET, CABLE	1	
14	61151-91J11	CUSHION, LOWER COVER HOLDER	1	
15	61827-89L00	HOLDER, SIDE COVER	1	
16	02142-06167	SCREW	1	
17	54144-89L10	SEAL, UPPER MOUNT STBD	1	
18	54145-89L00	SEAL, UPPER MOUNT PORT	1	
19	09251-09007	CUSHION	2	
20	09229-04005	RIVET	2	
21	09385-04003	CLIP	1	

FIG.115

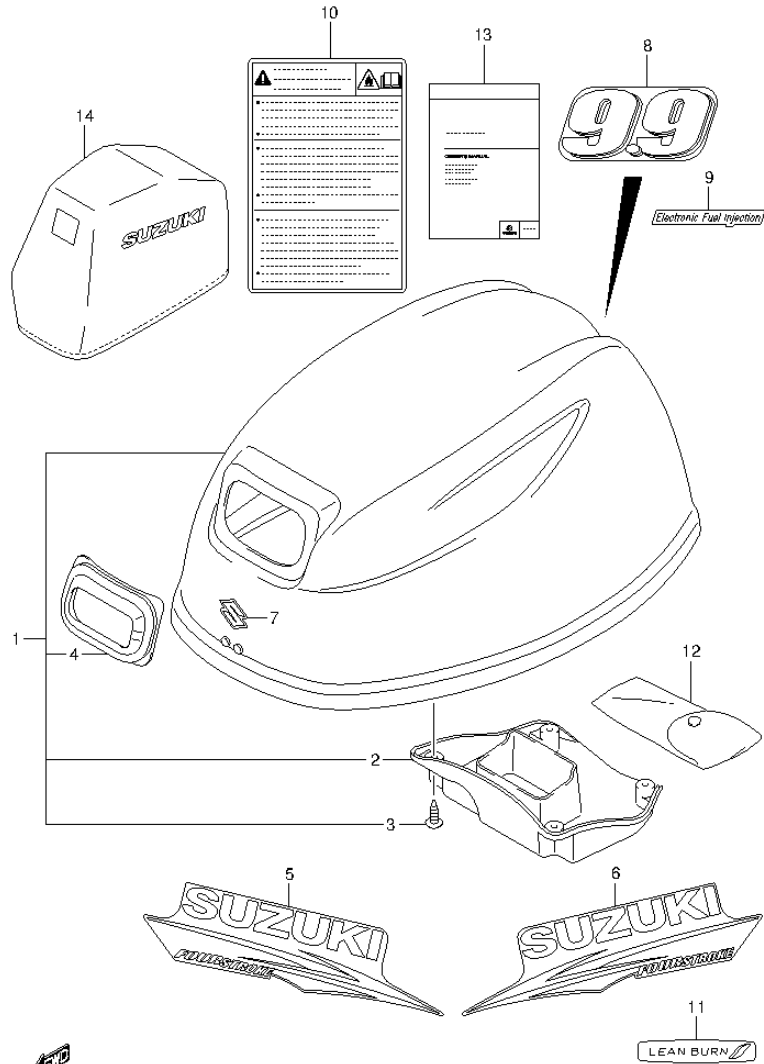


FIG.115 (1-K-3) ENGINE COVER (DF9.9B P01)

REF NO.	PART NO.	DESCRIPTION	Q'TY	REMARKS
1	61400-89L00-OEP	COVER ASSY, ENGINE (BLACK)	1	
2	61433-89L00	.COVER, AIR INTAKE INNER	1	
3	03542-05169	.SCREW	4	
4	61622-90L00	.SEAL, RECOIL STARTER	1	
5	61443-99J00	STRIPE, ENGINE COVER STBD	1	
6	61453-99J00	STRIPE, ENGINE COVER PORT	1	
7	68111-89L00	EMBLEM (S)	1	
8	61435-99J10	MARK, EMBLEM REAR (9.9)	1	
9	61446-89L00	DECAL, EFI	1	
10	61458-89L00	LABEL, ENGINE COVER	1	
11	61471-89L00	DECAL, LEAN BURN	1	
12	59800-89L00	TOOL ASSY	1	
13	99011-89L01-055	MANUAL, OWNER'S	1	
14	68110-89L00	COVER, WEATHER	1	OPT

FIG.116

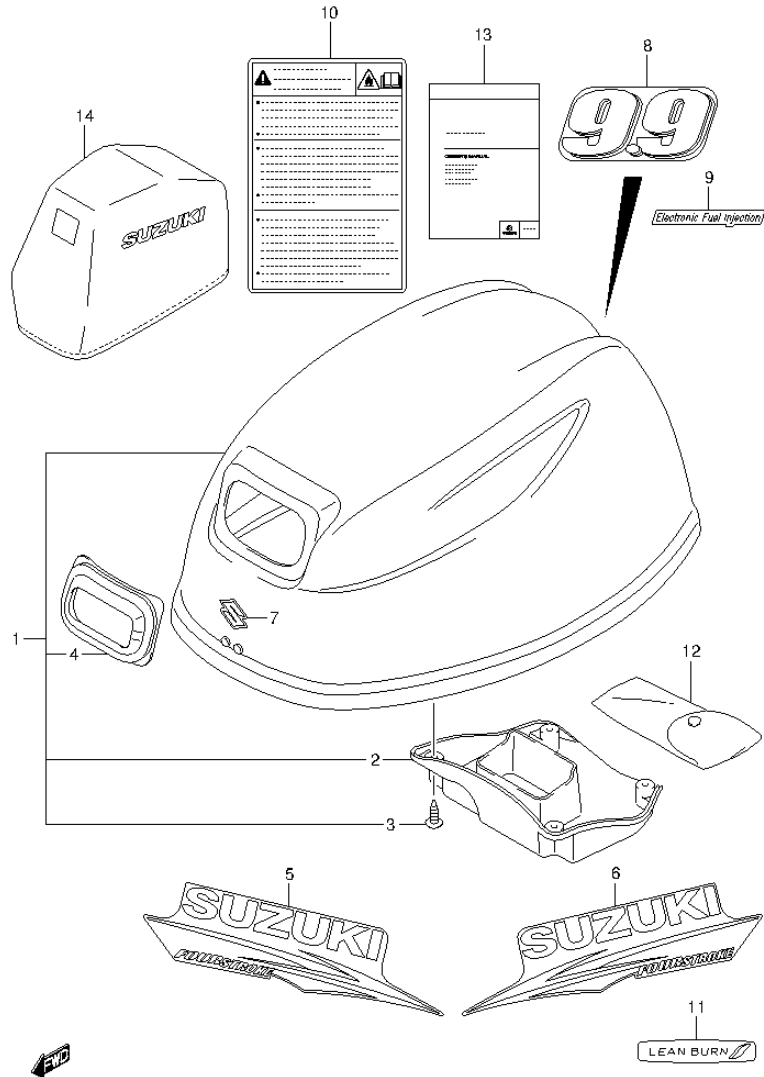


FIG.116 (1-K-4) ENGINE COVER (DF9.9BR P01)

REF NO.	PART NO.	DESCRIPTION	Q'TY	REMARKS
1	61400-89L00-OEP	COVER ASSY, ENGINE (BLACK)	1	
2	61433-89L00	.COVER, AIR INTAKE INNER	1	
3	03542-05169	.SCREW	4	
4	61622-90L00	.SEAL, RECOIL STARTER	1	
5	61443-99J00	STRIPE, ENGINE COVER STBD	1	
6	61453-99J00	STRIPE, ENGINE COVER PORT	1	
7	68111-89L00	EMBLEM (S)	1	
8	61435-99J10	MARK, EMBLEM REAR (9.9)	1	
9	61446-89L00	DECAL, EFI	1	
10	61458-89L00	LABEL, ENGINE COVER	1	
11	61471-89L00	DECAL, LEAN BURN	1	
12	59800-89L00	TOOL ASSY	1	
13	99011-89L01-055	MANUAL, OWNER'S	1	
14	68110-89L00	COVER, WEATHER	1	OPT

FIG.117

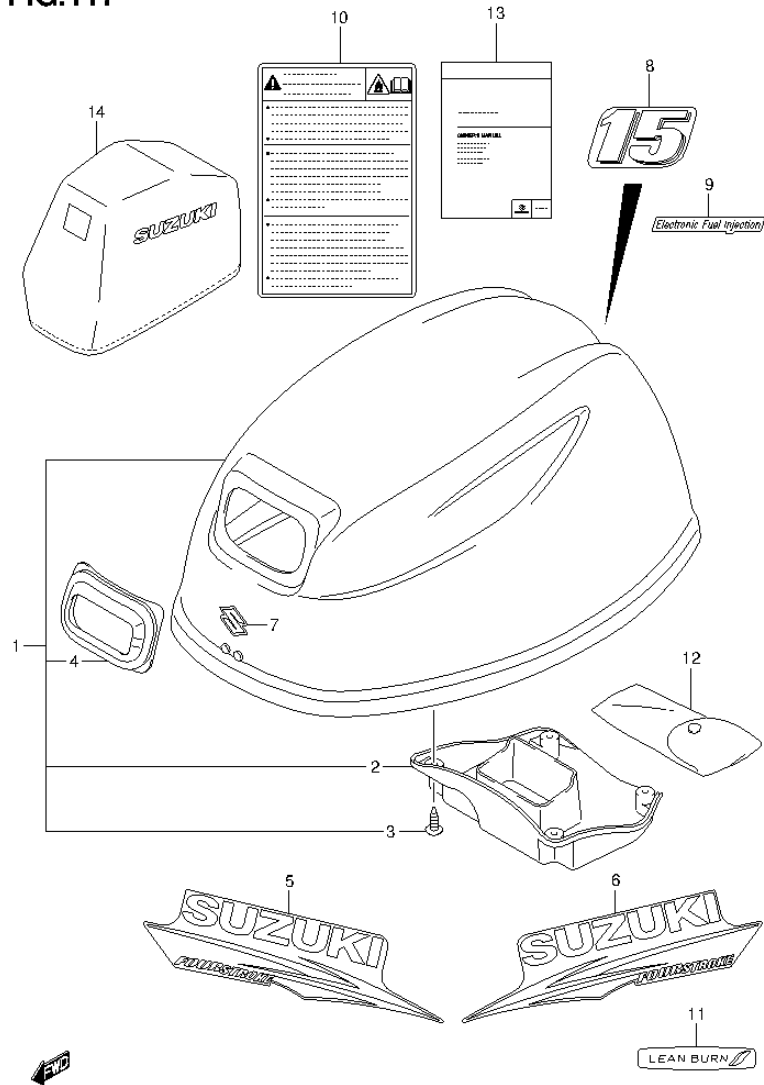


FIG.117 (1-K-5) ENGINE COVER (DF15A P01)

REF NO.	PART NO.	DESCRIPTION	Q'TY	REMARKS
1	61400-89L00-0EP	COVER ASSY, ENGINE (BLACK)	1	
2	61433-89L00	.COVER, AIR INTAKE INNER	1	
3	03542-05169	.SCREW	4	
4	61622-90L00	.SEAL, RECOIL STARTER	1	
5	61443-99J00	STRIPE, ENGINE COVER STBD	1	
6	61453-99J00	STRIPE, ENGINE COVER PORT	1	
7	68111-89L00	EMBLEM (S)	1	
8	61435-94J30	MARK, EMBLEM REAR (15)	1	
9	61446-89L00	DECAL, EFI	1	
10	61458-89L00	LABEL, ENGINE COVER	1	
11	61471-89L00	DECAL, LEAN BURN	1	
12	59800-89L00	TOOL ASSY	1	
13	99011-89L01-055	MANUAL, OWNER'S	1	
14	68110-89L00	COVER, WEATHER	1	OPT

FIG.118

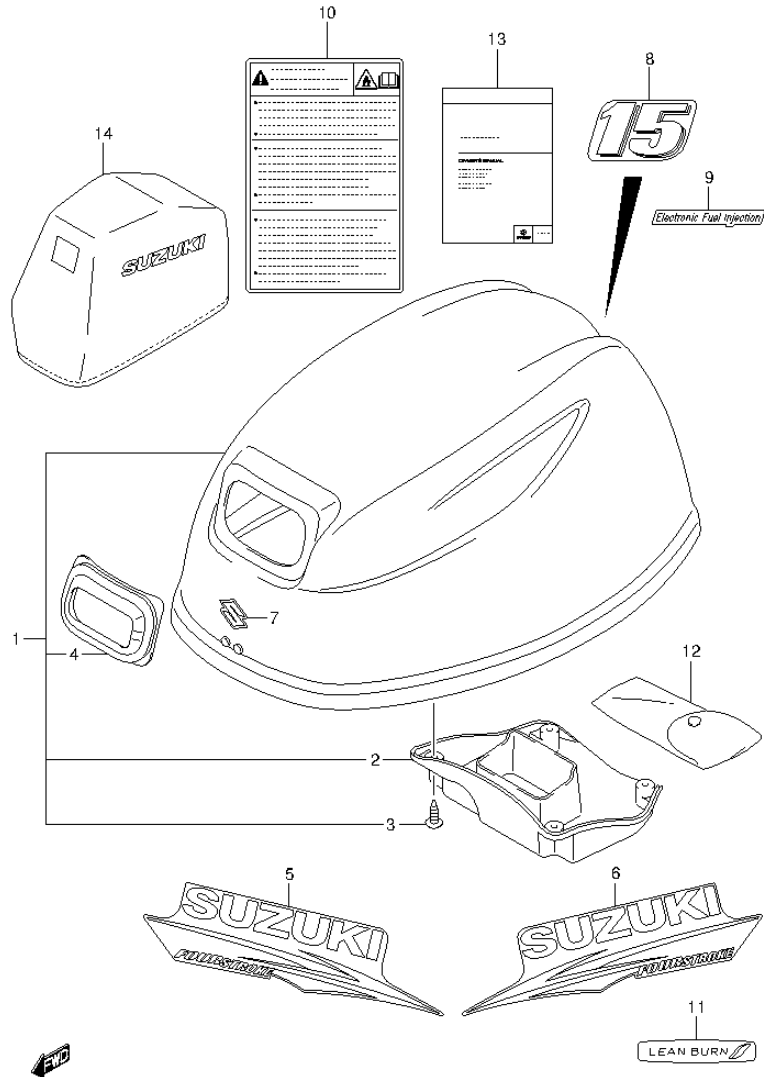


FIG.118 (1-K-6) ENGINE COVER (DF15AR P01)

REF NO.	PART NO.	DESCRIPTION	Q'TY	REMARKS
1	61400-89L00-OEP	COVER ASSY, ENGINE (BLACK)	1	
2	61433-89L00	.COVER, AIR INTAKE INNER	1	
3	03542-05169	.SCREW	4	
4	61622-90L00	.SEAL, RECOIL STARTER	1	
5	61443-99J00	STRIPE, ENGINE COVER STBD	1	
6	61453-99J00	STRIPE, ENGINE COVER PORT	1	
7	68111-89L00	EMBLEM (S)	1	
8	61435-94J30	MARK, EMBLEM REAR (15)	1	
9	61446-89L00	DECAL, EFI	1	
10	61458-89L00	LABEL, ENGINE COVER	1	
11	61471-89L00	DECAL, LEAN BURN	1	
12	59800-89L00	TOOL ASSY	1	
13	99011-89L01-055	MANUAL, OWNER'S	1	
14	68110-89L00	COVER, WEATHER	1	OPT

FIG.119

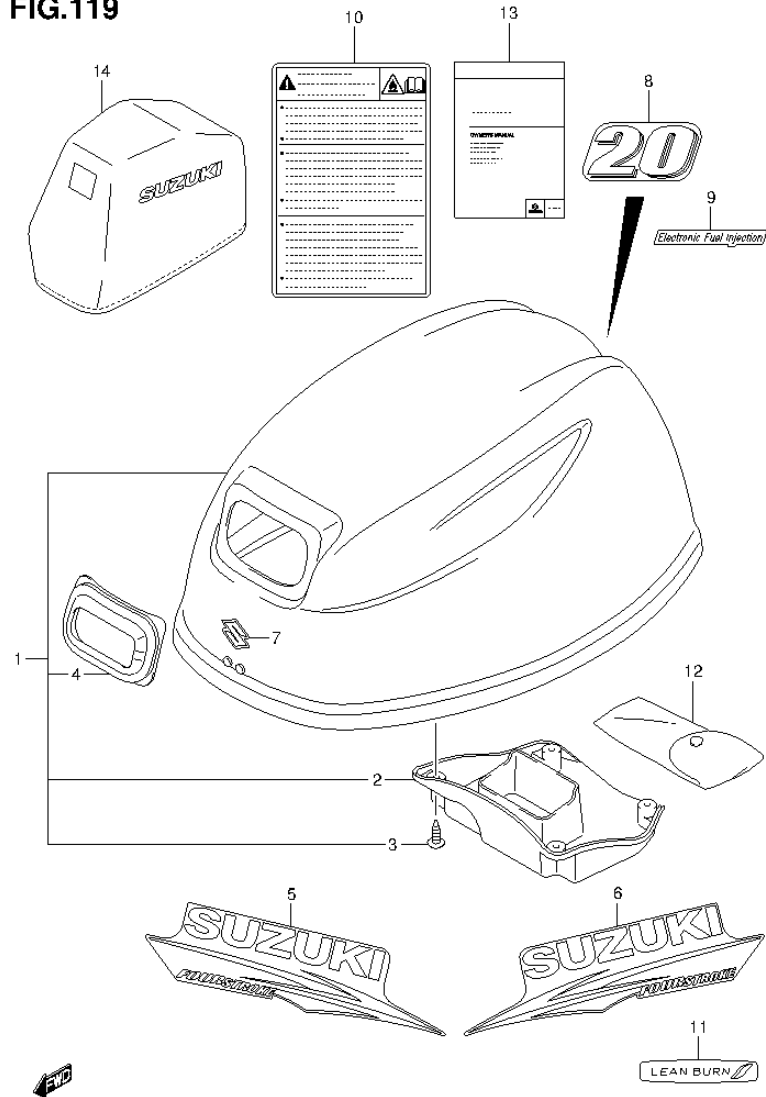


FIG.119 (1-K-7) ENGINE COVER (DF20A P01)

REF NO.	PART NO.	DESCRIPTION	Q'TY	REMARKS
1	61400-89L00-0EP	COVER ASSY, ENGINE (BLACK)	1	
2	61433-89L00	.COVER, AIR INTAKE INNER	1	
3	03542-05169	.SCREW	4	
4	61622-90L00	.SEAL, RECOIL STARTER	1	
5	61443-99J00	STRIPE, ENGINE COVER STBD	1	
6	61453-99J00	STRIPE, ENGINE COVER PORT	1	
7	68111-89L00	EMBLEM (S)	1	
8	61435-89L00	MARK, EMBLEM REAR (20)	1	
9	61446-89L00	DECAL, EFI	1	
10	61458-89L00	LABEL, ENGINE COVER	1	
11	61471-89L00	DECAL, LEAN BURN	1	
12	59800-89L00	TOOL ASSY	1	
13	99011-89L01-055	MANUAL, OWNER'S	1	
14	68110-89L00	COVER, WEATHER	1	OPT

FIG.120

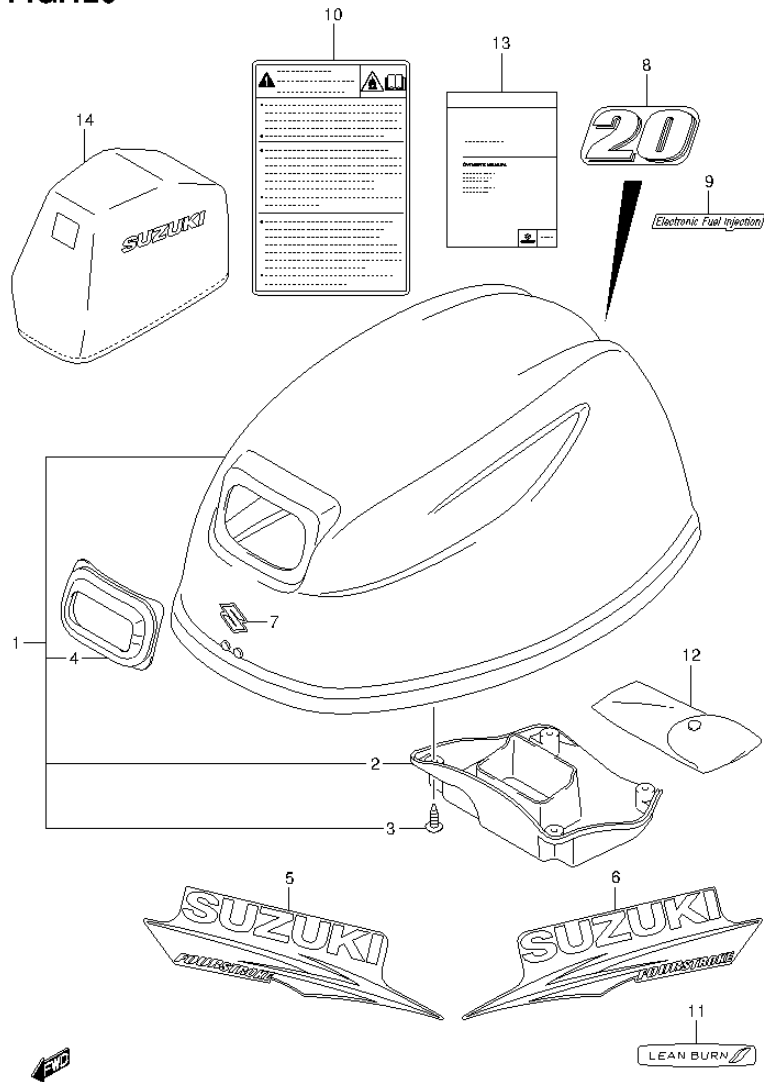


FIG.120 (1-K-8) ENGINE COVER (DF20A P40)

REF NO.	PART NO.	DESCRIPTION	Q'TY	REMARKS
1	61400-89L00-0EP	COVER ASSY, ENGINE (BLACK)	1	
2	61433-89L00	.COVER, AIR INTAKE INNER	1	
3	03542-05169	.SCREW	4	
4	61622-90L00	.SEAL, RECOIL STARTER	1	
5	61443-99J00	STRIPE, ENGINE COVER STBD	1	
6	61453-99J00	STRIPE, ENGINE COVER PORT	1	
7	68111-89L00	EMBLEM (S)	1	
8	61435-89L00	MARK, EMBLEM REAR (20)	1	
9	61446-89L00	DECAL, EFI	1	
10	61458-89L00	LABEL, ENGINE COVER	1	
11	61471-89L00	DECAL, LEAN BURN	1	
12	59800-89L00	TOOL ASSY	1	
13	99011-89L01-055	MANUAL, OWNER'S	1	
14	68110-89L00	COVER, WEATHER	1	OPT

FIG.121

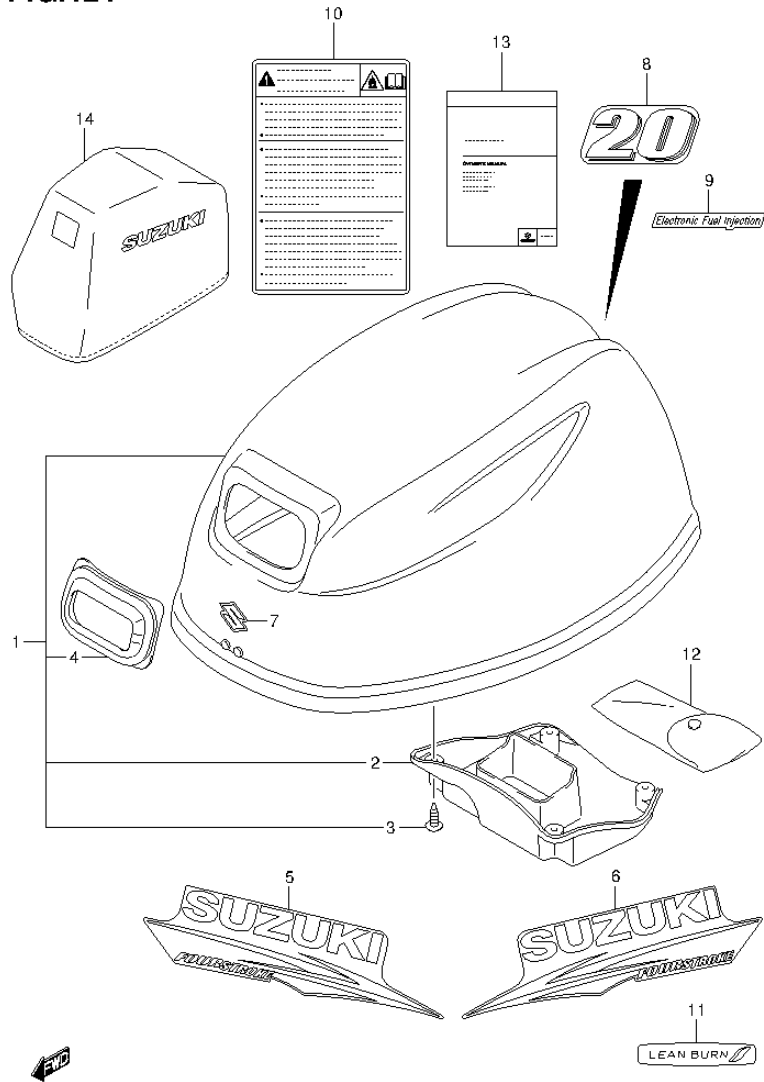
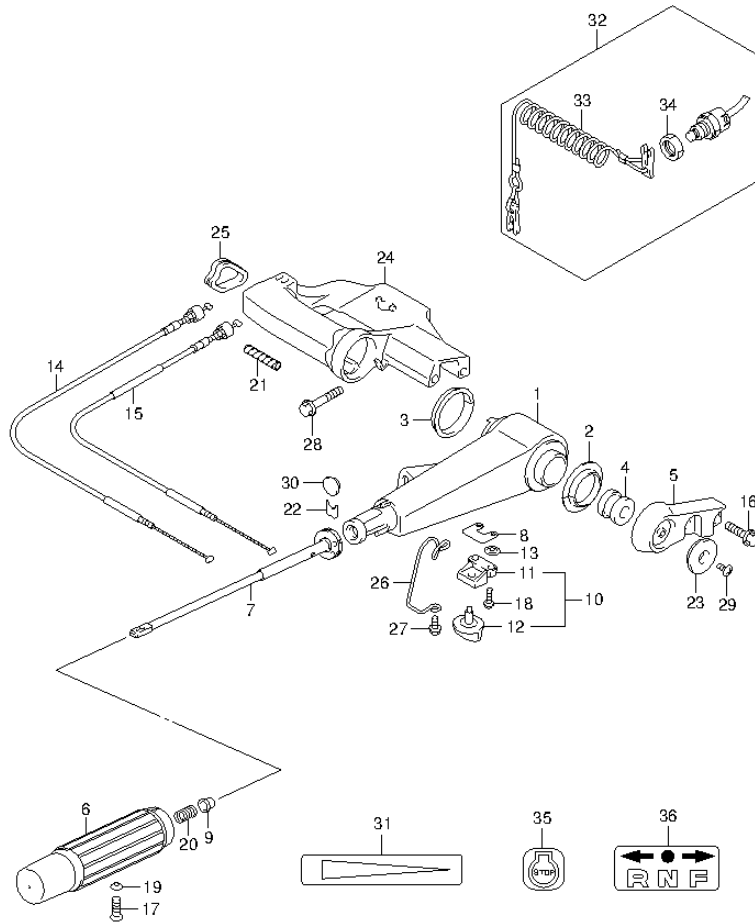


FIG.121 (1-K-9) ENGINE COVER (DF20AR P01)

REF NO.	PART NO.	DESCRIPTION	Q'TY	REMARKS
1	61400-89L00-0EP	COVER ASSY, ENGINE (BLACK)	1	
2	61433-89L00	.COVER, AIR INTAKE INNER	1	
3	03542-05169	.SCREW	4	
4	61622-90L00	.SEAL, RECOIL STARTER	1	
5	61443-99J00	STRIPE, ENGINE COVER STBD	1	
6	61453-99J00	STRIPE, ENGINE COVER PORT	1	
7	68111-89L00	EMBLEM (S)	1	
8	61435-89L00	MARK, EMBLEM REAR (20)	1	
9	61446-89L00	DECAL, EFI	1	
10	61458-89L00	LABEL, ENGINE COVER	1	
11	61471-89L00	DECAL, LEAN BURN	1	
12	59800-89L00	TOOL ASSY	1	
13	99011-89L01-055	MANUAL, OWNER'S	1	
14	68110-89L00	COVER, WEATHER	1	OPT

FIG.122

FIG.122 (1-K-10) TILLER HANDLE (DF9.9B P01)



REF NO.	PART NO.	DESCRIPTION	Q'TY	REMARKS
1	63111-89L00-0EP	HANDLE, TILLER (BLACK)	1	
2	63115-99J10	BUSH, TILLER HANDLE NO.1	1	
3	63115-99J00	BUSH, TILLER HANDLE NO.2	1	
4	63116-99J00	RUBBER, FRICTION	1	
5	63121-99J00-0EP	COVER, TILLER HANDLE (BLACK)	1	
6	63210-89L10	GRIP, HANDLE	1	
7	63220-89L00	ROD, HANDLE	1	
8	63225-94J00	PLATE, HANDLE ROD ADJUSTER	1	
9	63225-93200	BUSH, HANDLE ROD	1	
10	63240-94J10	ADJUSTER SET, HANDLE	1	
11	63241-986B0	.SUPPORT, ROD	1	
12	63244-94J00	.KNOB, ADJUSTER	1	
13	09148-06008	NUT	1	
14	63610-89L00	CABLE ASSY, THROTTLE	1	
15	63610-89L10	CABLE ASSY, THROTTLE	1	
16	09116-08151	BOLT (8X30)	2	
17	09126-06015	SCREW (6X23)	1	
18	09136-05041	SCREW (5X20)	2	
19	09163-06001	LOCK WASHER	1	
20	09440-12027	SPRING	1	
21	33833-91J00	TUBE, THROTTLE CABLE	1	L:250->50
22	63114-99J01	PLATE, WARNING INDICATOR	1	
23	63122-99J00	PROTECTOR, HANDLE COVER	1	
24	63131-99J10-0EP	BRACKET, TILLER HANDLE (BLACK)	1	
25	63133-89L00	GROMMET, TILLER HANDLE BRACKET	1	
26	65793-89L00	HOLDER, FUEL HOSE	1	
27	09116-06225	BOLT (6X15)	1	
28	09116-08155	BOLT (8X45)	2	
29	09125-05042	SCREW (5X10)	1	
30	09250-12006	CAP (OD:20)	1	
31	63215-93110	MARK, HANDLE GRIP	1	

FIG.122

FIG.122 (1-K-11) TILLER HANDLE (DF9.9B P01)

REF NO.	PART NO.	DESCRIPTION	Q'TY	REMARKS
32	37830-89L00	SWITCH ASSY, EMERGENCY	1	
33	37823-97J00	.PLATE, LOCK	1	
34	37826-97J00	.NUT	1	
35	37835-95D00	LABEL, STOP	1	
36	21131-94J00	MARK, CLUTCH SHIFT	1	

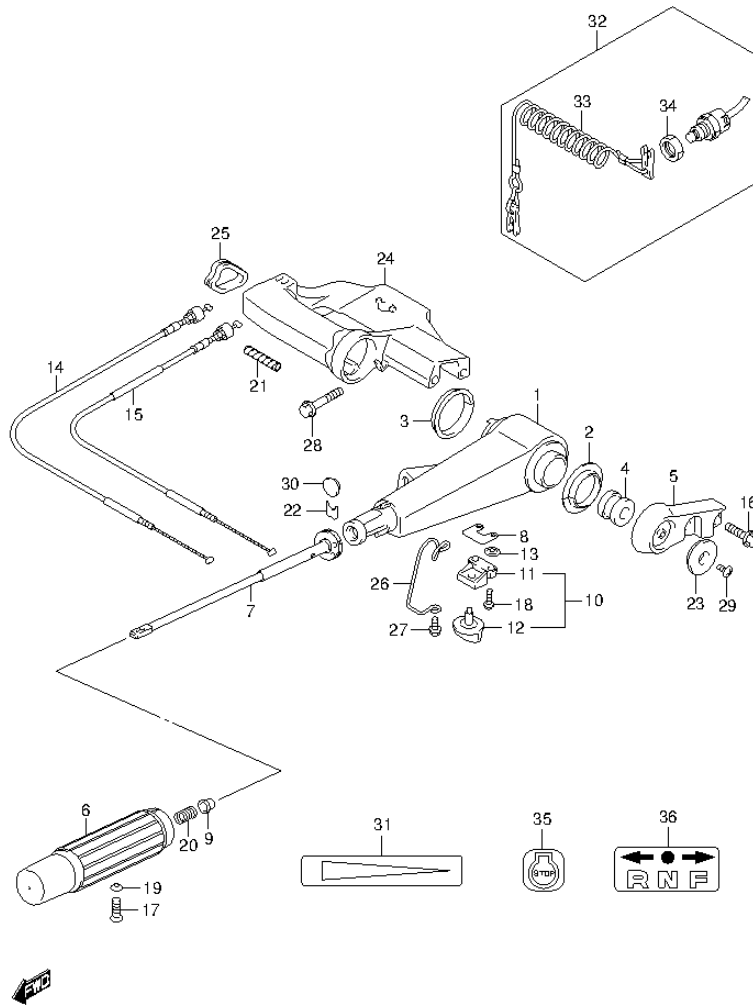


FIG.123

FIG.123 (1-K-12) TILLER HANDLE (DF15A P01)

REF NO.	PART NO.	DESCRIPTION	Q'TY	REMARKS
1	63111-89L00-0EP	HANDLE, TILLER (BLACK)	1	
2	63115-99J10	BUSH, TILLER HANDLE NO.1	1	
3	63115-99J00	BUSH, TILLER HANDLE NO.2	1	
4	63116-99J00	RUBBER, FRICTION	1	
5	63121-99J00-0EP	COVER, TILLER HANDLE (BLACK)	1	
6	63210-89L10	GRIP, HANDLE	1	
7	63220-89L00	ROD, HANDLE	1	
8	63225-94J00	PLATE, HANDLE ROD ADJUSTER	1	
9	63225-93200	BUSH, HANDLE ROD	1	
10	63240-94J10	ADJUSTER SET, HANDLE	1	
11	63241-986B0	.SUPPORT, ROD	1	
12	63244-94J00	.KNOB, ADJUSTER	1	
13	09148-06008	NUT	1	
14	63610-89L00	CABLE ASSY, THROTTLE	1	
15	63610-89L10	CABLE ASSY, THROTTLE	1	
16	09116-08151	BOLT (8X30)	2	
17	09126-06015	SCREW (6X23)	1	
18	09136-05041	SCREW (5X20)	2	
19	09163-06001	LOCK WASHER	1	
20	09440-12027	SPRING	1	
21	33833-91J00	TUBE, THROTTLE CABLE	1	L:250->50
22	63114-99J01	PLATE, WARNING INDICATOR	1	
23	63122-99J00	PROTECTOR, HANDLE COVER	1	
24	63131-99J10-0EP	BRACKET, TILLER HANDLE (BLACK)	1	
25	63133-89L00	GROMMET, TILLER HANDLE BRACKET	1	
26	65793-89L00	HOLDER, FUEL HOSE	1	
27	09116-06225	BOLT (6X15)	1	
28	09116-08155	BOLT (8X45)	2	
29	09125-05042	SCREW (5X10)	1	
30	09250-12006	CAP (OD:20)	1	
31	63215-93110	MARK, HANDLE GRIP	1	

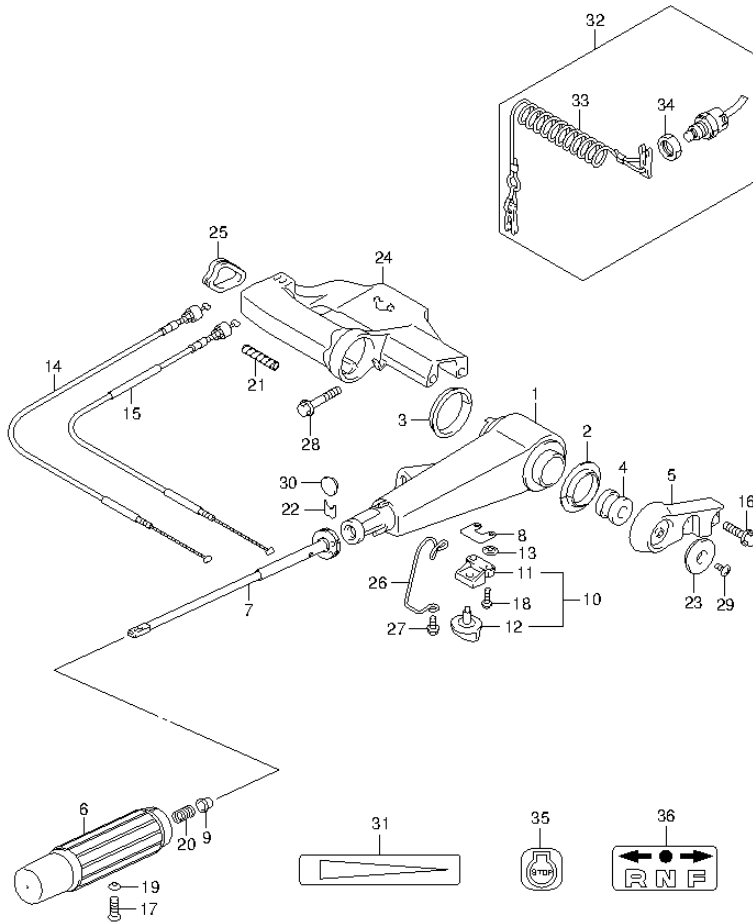


FIG.123

FIG.123 (1-K-13) TILLER HANDLE (DF15A P01)

REF NO.	PART NO.	DESCRIPTION	Q'TY	REMARKS
32	37830-89L00	SWITCH ASSY, EMERGENCY	1	
33	37823-97J00	.PLATE, LOCK	1	
34	37826-97J00	.NUT	1	
35	37835-95D00	LABEL, STOP	1	
36	21131-94J00	MARK, CLUTCH SHIFT	1	

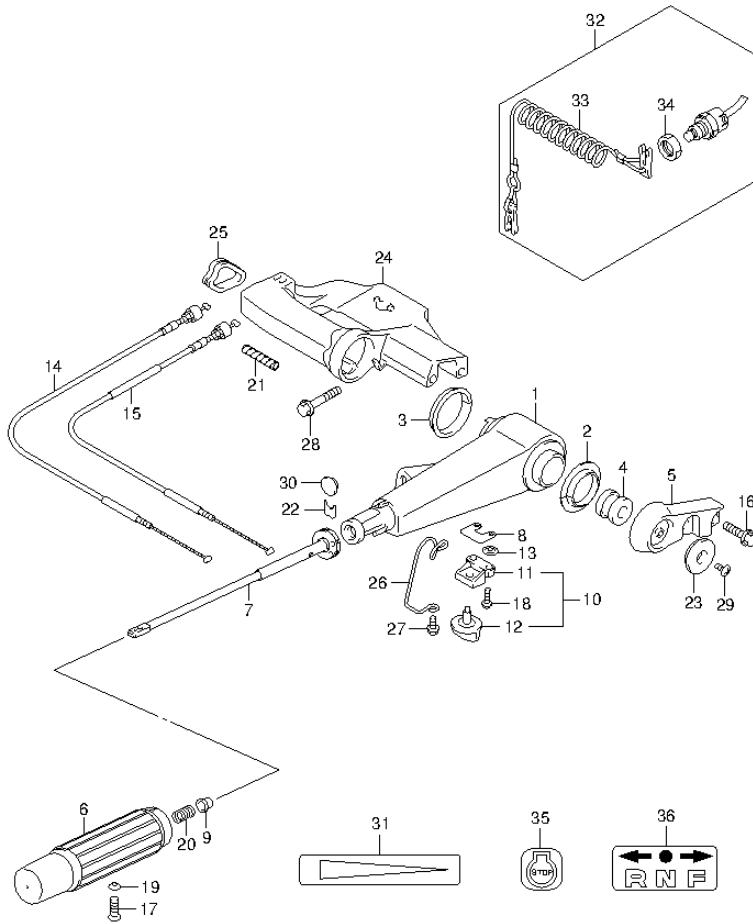
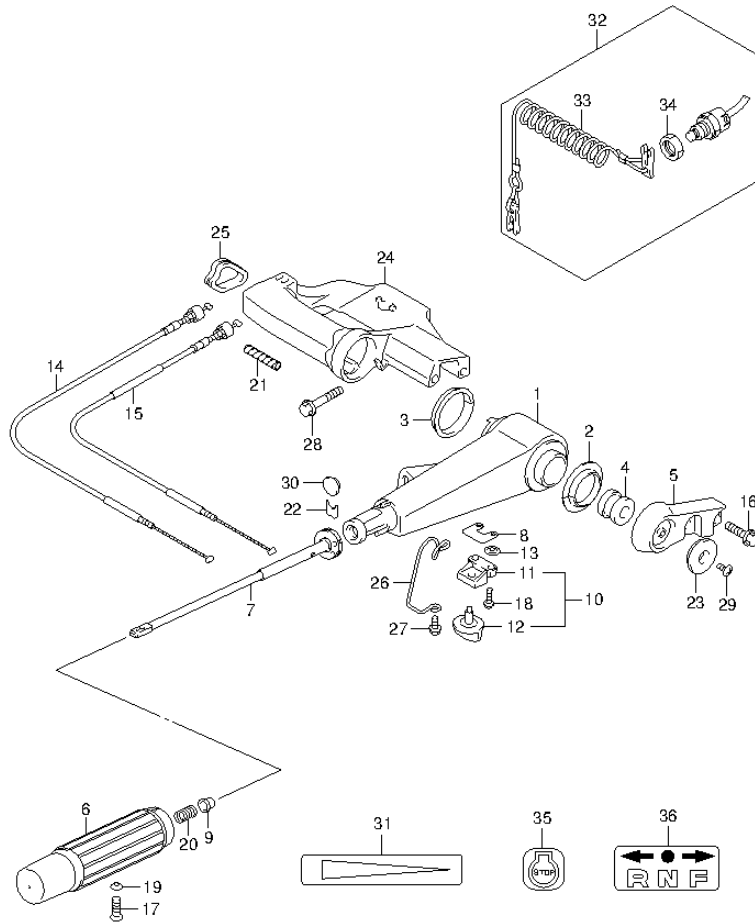


FIG.124

FIG.124 (1-K-14) TILLER HANDLE (DF20A P01)



REF NO.	PART NO.	DESCRIPTION	Q'TY	REMARKS
1	63111-89L00-0EP	HANDLE, TILLER (BLACK)	1	
2	63115-99J10	BUSH, TILLER HANDLE NO.1	1	
3	63115-99J00	BUSH, TILLER HANDLE NO.2	1	
4	63116-99J00	RUBBER, FRICTION	1	
5	63121-99J00-0EP	COVER, TILLER HANDLE (BLACK)	1	
6	63210-89L10	GRIP, HANDLE	1	
7	63220-89L00	ROD, HANDLE	1	
8	63225-94J00	PLATE, HANDLE ROD ADJUSTER	1	
9	63225-93200	BUSH, HANDLE ROD	1	
10	63240-94J10	ADJUSTER SET, HANDLE	1	
11	63241-986B0	.SUPPORT, ROD	1	
12	63244-94J00	.KNOB, ADJUSTER	1	
13	09148-06008	NUT	1	
14	63610-89L00	CABLE ASSY, THROTTLE	1	
15	63610-89L10	CABLE ASSY, THROTTLE	1	
16	09116-08151	BOLT (8X30)	2	
17	09126-06015	SCREW (6X23)	1	
18	09136-05041	SCREW (5X20)	2	
19	09163-06001	LOCK WASHER	1	
20	09440-12027	SPRING	1	
21	33833-91J00	TUBE, THROTTLE CABLE	1	L:250->50
22	63114-99J01	PLATE, WARNING INDICATOR	1	
23	63122-99J00	PROTECTOR, HANDLE COVER	1	
24	63131-99J10-0EP	BRACKET, TILLER HANDLE (BLACK)	1	
25	63133-89L00	GROMMET, TILLER HANDLE BRACKET	1	
26	65793-89L00	HOLDER, FUEL HOSE	1	
27	09116-06225	BOLT (6X15)	1	
28	09116-08155	BOLT (8X45)	2	
29	09125-05042	SCREW (5X10)	1	
30	09250-12006	CAP (OD:20)	1	
31	63215-93110	MARK, HANDLE GRIP	1	

FIG.124

FIG.124 (1-K-15) TILLER HANDLE (DF20A P01)

REF NO.	PART NO.	DESCRIPTION	Q'TY	REMARKS
32	37830-89L00	SWITCH ASSY, EMERGENCY	1	
33	37823-97J00	.PLATE, LOCK	1	
34	37826-97J00	.NUT	1	
35	37835-95D00	LABEL, STOP	1	
36	21131-94J00	MARK, CLUTCH SHIFT	1	

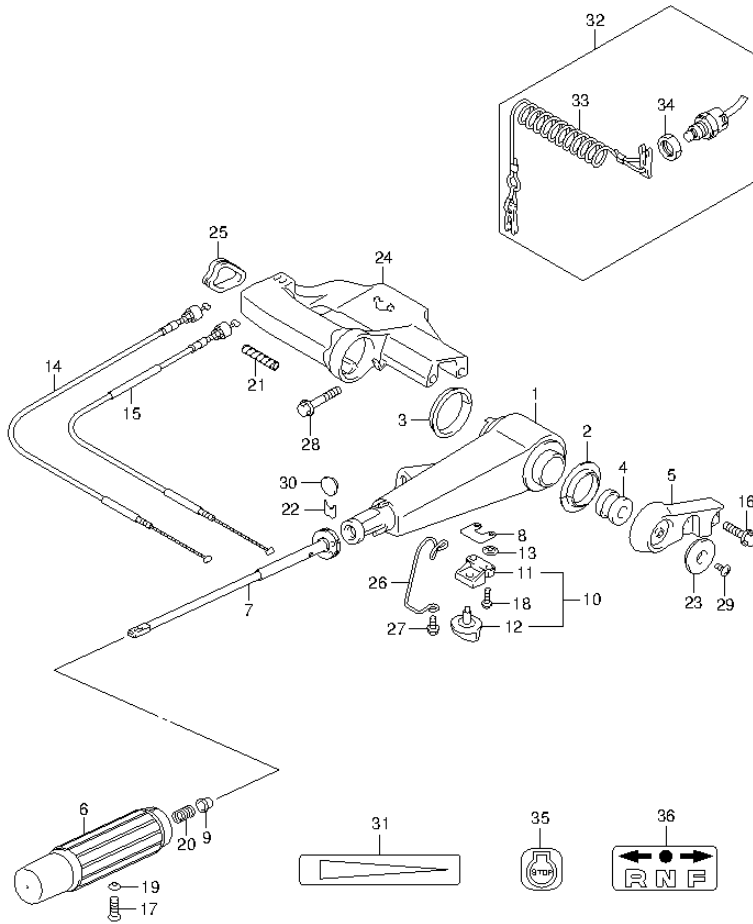
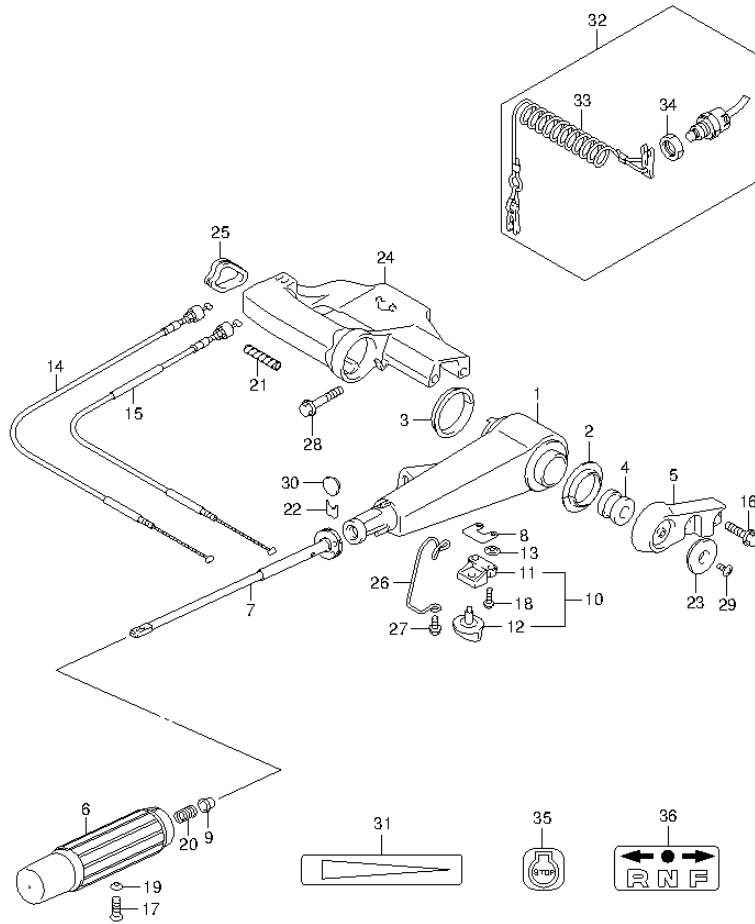


FIG.125

FIG.125 (1-L-2) TILLER HANDLE (DF20A P40)



REF NO.	PART NO.	DESCRIPTION	Q'TY	REMARKS
1	63111-89L00-0EP	HANDLE, TILLER (BLACK)	1	
2	63115-99J10	BUSH, TILLER HANDLE NO.1	1	
3	63115-99J00	BUSH, TILLER HANDLE NO.2	1	
4	63116-99J00	RUBBER, FRICTION	1	
5	63121-99J00-0EP	COVER, TILLER HANDLE (BLACK)	1	
6	63210-89L10	GRIP, HANDLE	1	
7	63220-89L00	ROD, HANDLE	1	
8	63225-94J00	PLATE, HANDLE ROD ADJUSTER	1	
9	63225-93200	BUSH, HANDLE ROD	1	
10	63240-94J10	ADJUSTER SET, HANDLE	1	
11	63241-986B0	.SUPPORT, ROD	1	
12	63244-94J00	.KNOB, ADJUSTER	1	
13	09148-06008	NUT	1	
14	63610-89L00	CABLE ASSY, THROTTLE	1	
15	63610-89L10	CABLE ASSY, THROTTLE	1	
16	09116-08151	BOLT (8X30)	2	
17	09126-06015	SCREW (6X23)	1	
18	09136-05041	SCREW (5X20)	2	
19	09163-06001	LOCK WASHER	1	
20	09440-12027	SPRING	1	
21	33833-91J00	TUBE, THROTTLE CABLE	1	L:250->50
22	63114-99J01	PLATE, WARNING INDICATOR	1	
23	63122-99J00	PROTECTOR, HANDLE COVER	1	
24	63131-99J10-0EP	BRACKET, TILLER HANDLE (BLACK)	1	
25	63133-89L00	GROMMET, TILLER HANDLE BRACKET	1	
26	65793-89L00	HOLDER, FUEL HOSE	1	
27	09116-06225	BOLT (6X15)	1	
28	09116-08155	BOLT (8X45)	2	
29	09125-05042	SCREW (5X10)	1	
30	09250-12006	CAP (OD:20)	1	
31	63215-93110	MARK, HANDLE GRIP	1	

FIG.125

FIG.125 (1-L-3) TILLER HANDLE (DF20A P40)

REF NO.	PART NO.	DESCRIPTION	Q'TY	REMARKS
32	37830-89L00	SWITCH ASSY, EMERGENCY	1	
33	37823-97J00	.PLATE, LOCK	1	
34	37826-97J00	.NUT	1	
35	37835-95D00	LABEL, STOP	1	
36	21131-94J00	MARK, CLUTCH SHIFT	1	

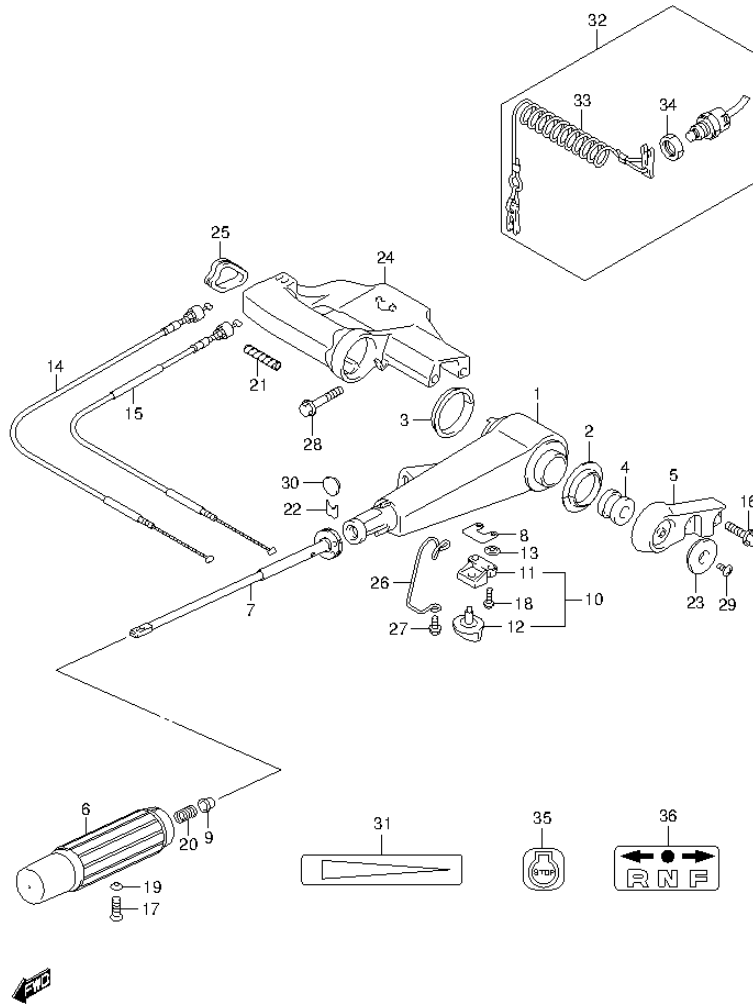


FIG.126

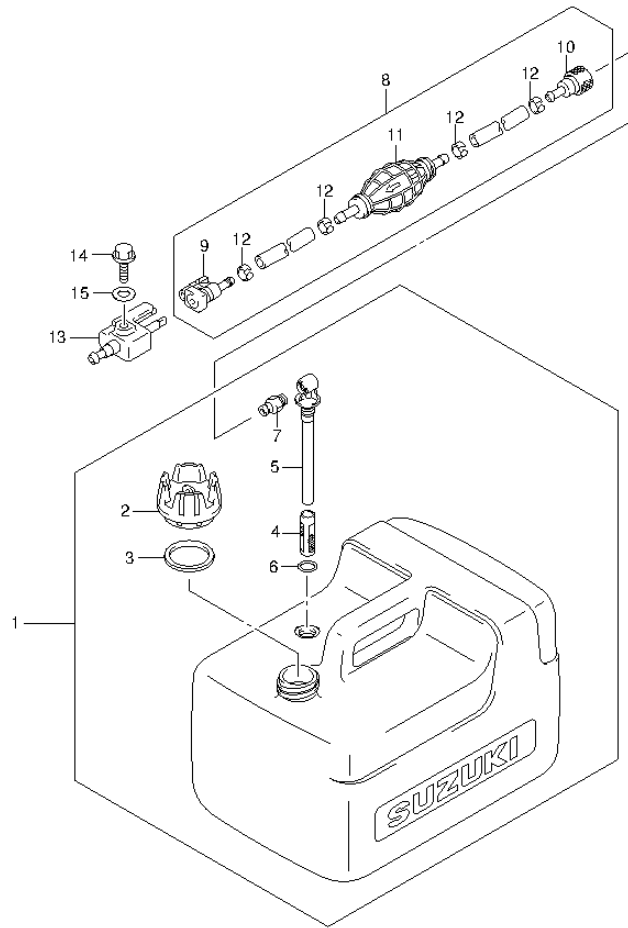


FIG.126 (1-L-4) FUEL TANK

REF NO.	PART NO.	DESCRIPTION	Q'TY	REMARKS
1	65000-99100	TANK ASSY, FUEL (12L)	1	
2	65520-99100	.CAP ASSY, FUEL TANK	1	
3	65561-95D00	.GASKET, TANK CAP	1	
4	65831-95D00	.FILTER, OUTLET	1	
5	65890-99100	.OUTLET	1	
6	65892-95D00	.O RING	1	
7	65740-99100	.PLUG, FUEL CONNECTOR	1	
8	65700-99JL0	HOSE, FUEL	1	
9	65750-87J11	.SOCKET, FUEL HOSE	1	
10	65750-98505	.SOCKET, FUEL HOSE	1	
11	65770-99JL0	.PUMP, SQUEEZE	1	
12	65781-99JM0	.CLIP	4	
13	65720-986L0	PLUG, FUEL CONNECTOR	1	
14	09103-06237	BOLT (6X12.5)	1	
15	09160-06085	WASHER (6.5X15X1)	1	

FIG.127

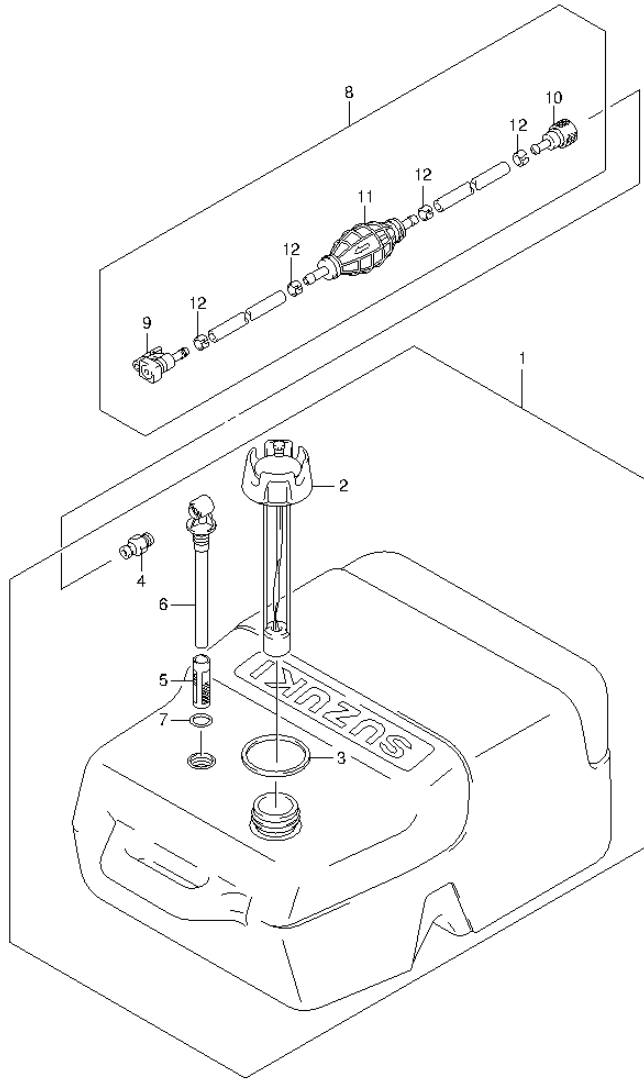


FIG.127 (1-L-5) OPT:FUEL TANK (RESIN 25L)

REF NO.	PART NO.	DESCRIPTION	Q'TY	REMARKS
1	65000-95D01	TANK ASSY, FUEL (25L)	1	
2	65520-95D00	.CAP, FUEL TANK	1	
3	65561-95D00	.GASKET, TANK CAP	1	
4	65740-95D01	.PLUG, FUEL CONNECTOR	1	
5	65831-95D00	.FILTER, OUTLET	1	
6	65890-95D00	.OUTLET ASSY	1	
7	65892-95D00	.O RING	1	
8	65700-87J15	HOSE, FUEL	1	
9	65750-87J11	.SOCKET, FUEL HOSE	1	
10	65750-95500	.SOCKET, FUEL HOSE	1	
11	65770-90J11	.PUMP, SQUEEZE	1	
12	65781-98500	.CLIP	4	

FIG.128

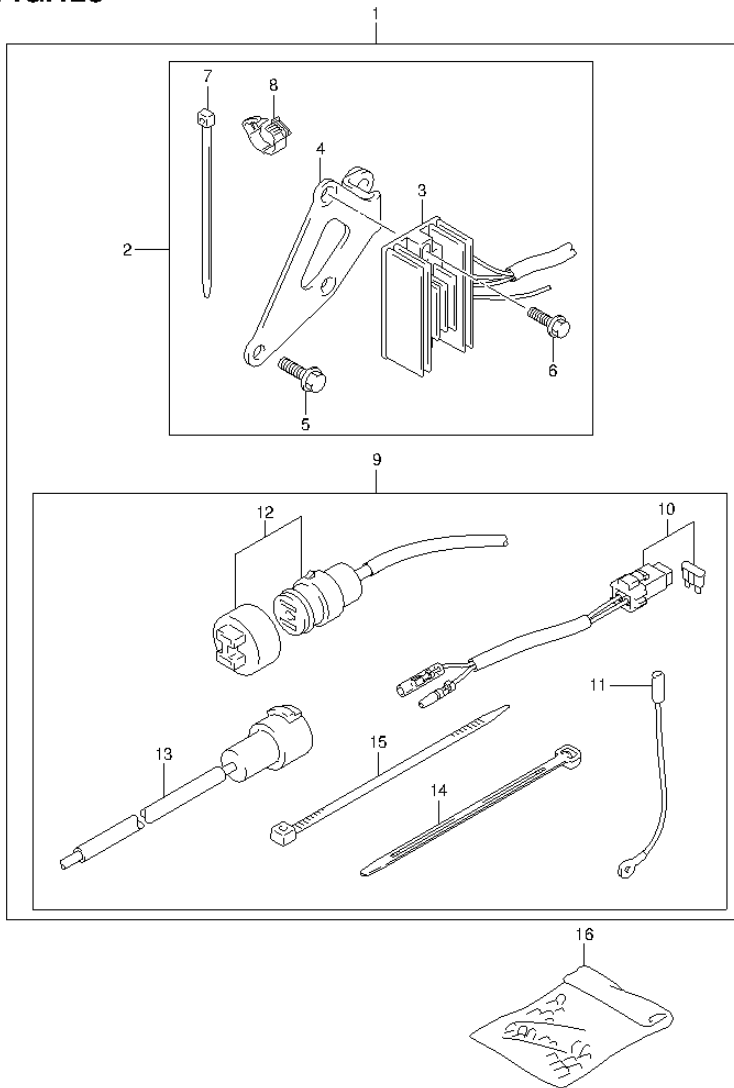


FIG.128 (1-L-6) OPT:ELECTRICAL (MANUAL STARTER)

REF NO.	PART NO.	DESCRIPTION	Q'TY	REMARKS
1	32000-89L00	KIT,BATTERY CHARGING	1	
2	32801-89L00	..RECTIFIER & REGULATOR SET	1	
3	32800-94J11	..RECTIFIER/REGULATOR ASSY	1	
4	32815-89L10	..BRACKET, RECTIFIER	1	
5	01550-08207	..BOLT	1	
6	01550-06207	..BOLT	2	
7	09407-14407	..CLAMP (L:145)	3	
8	09408-00184	..CLAMP, HARNESS	1	
9	39600-89L00	..RECEPTACLE SET	1	
10	36740-94J00	..CASE ASSY, FUSE	1	
11	37801-98300	..LEAD RECEPTACLE GROUND	1	
12	39601-95D00	..RECEPTACLE ASSY, LIGHTING	1	
13	39602-93900	..PLUG, RECEPTACLE	1	
14	09407-14403	..CLAMP (L:125)	2	
15	09407-14407	..CLAMP (L:145)	3	
16	36990-87D00	TERMINAL & SLEEVE SET	1	

FIG.129

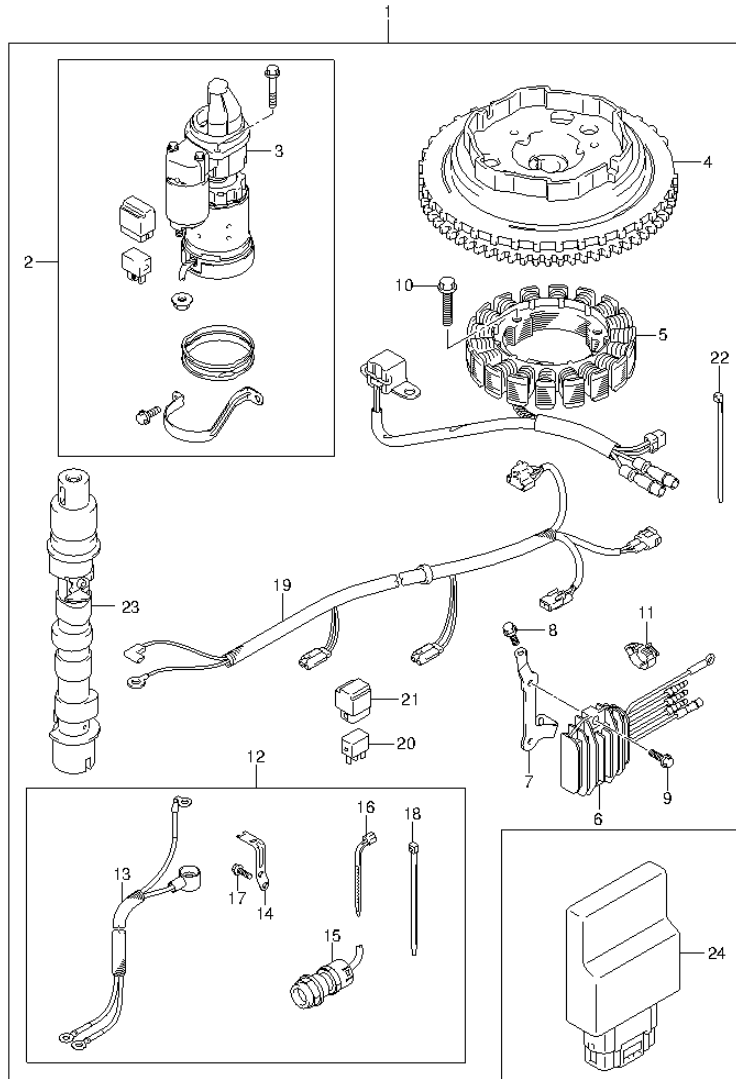
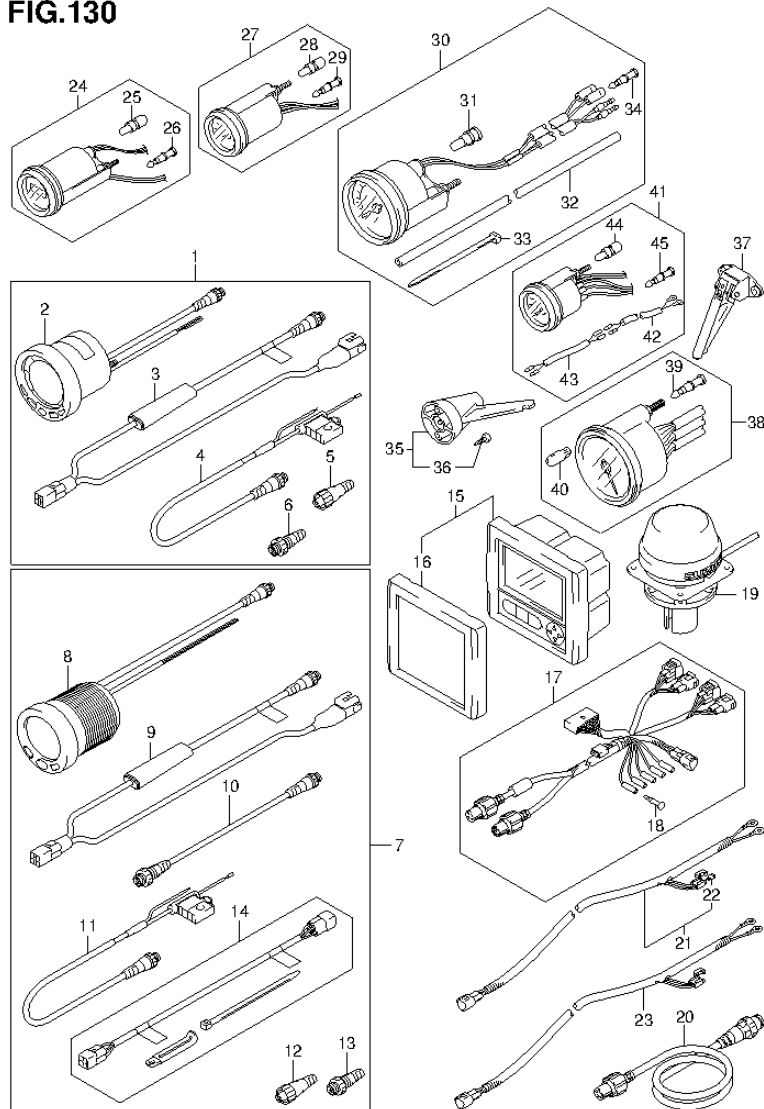


FIG.129 (1-L-7) OPT:STARTING MOTOR (MANUAL STARTER)

REF NO.	PART NO.	DESCRIPTION	Q'TY	REMARKS
1	31000-89L01	STARTER SET, ELECTRIC	1	
2	31101-89L00	.MOTOR SET, STARTING	1	
3	31100-94J21	..MOTOR ASSY, STARTING	1	
4	32102-89L00	.FLYWHEEL, MAGNETO	1	
5	32120-89L00	.COIL, STATOR & PULSER	1	
6	32800-89L00	.RECTIFIER/REGULATOR ASSY	1	
7	32815-89L00	.BRACKET, RECTIFIER	1	
8	01550-06167	.BOLT	1	
9	01550-06207	.BOLT	2	
10	01547-0625A	.BOLT	3	
11	09408-00184	.CLAMP, HARNESS	1	
12	33800-89L00	.CABLE SET, STARTER	1	
13	33810-89L00	..CABLE, STARTER	1	
14	36617-89L10	..BRACKET, HARNESS	1	
15	37161-89L00	..SWITCH ASSY, STARTER	1	
16	09407-14403	..CLAMP (L:125)	1	
17	01547-06167	..BOLT	2	
18	09407-14407	..CLAMP (L:145)	1	
19	36610-89L01	.HARNESS ASSY, WIRING	1	
20	38860-76F01	.RELAY ASSY	1	
21	38915-90J00	.HOLDER, RELAY	1	
22	09407-14407	.CLAMP (L:145)	11	
23	12700-89L20	.CAMSHAFT ASSY	1	
24-1	33920-89L01	UNIT, ENGINE CONTROL	1	DF15A P01 DF15AR P01
24-2	33920-89L21	UNIT, ENGINE CONTROL	1	DF20A P01 DF20AR P01
24-3	33920-89L40	UNIT, ENGINE CONTROL	1	DF9.9B P01 DF9.9BR P01
24-4	33920-89L60	UNIT, ENGINE CONTROL	1	DF20A P40

FIG.130



DF20A_P01_013_130
OPT:METER

FIG.130 (1-L-8) OPT:METER (DF9.9BR P01)

REF NO.	PART NO.	DESCRIPTION	Q'TY	REMARKS
1	34011-88L02	KIT, 4 IN MULTI GAUGE	1	
2	34200-88L02	.GAUGE ASSY, 4 IN MULTI	1	
3	34922-88L01	.UNIT, INTERFACE	1	
4	36663-88L00	.HARNES ASSY, NETWORK POWER	1	
5	36665-88L00	.UNIT, RESISTOR FEMALE	1	
6	36665-88L10	.UNIT, RESISTOR MALE	1	
7	34011-89L00	KIT, 2 IN MULTI GAUGE	1	
8	34800-88L01	.GAUGE ASSY, 2 IN MULTI	1	
9	34922-88L01	.UNIT, INTERFACE	1	
10	36662-88L00	.WIRE, 25 EXTENSION	1	
11	36663-88L00	.HARNES ASSY, NETWORK POWER	1	
12	36665-88L00	.UNIT, RESISTOR FEMALE	1	
13	36665-88L10	.UNIT, RESISTOR MALE	1	
14	36660-89L00	.SET, ENG TO INTERFACE WIRE	1	
15	34200-87L11	GAUGE ASSY, MULTI	1	
16	34211-87L00	.COVER, FRONT	1	
17	36661-87L00	ADAPTER, GAUGE	1	
18	36615-96300	.TERMINAL, RESIN	5	
19	39950-87L00	MODULE ASSY, GPS RECIVER	1	
20	36666-87L00	WIRE, NETWORK	1	
21	36663-98J00	WIRE, GAUGE POWER	1	
22	09481-05501	.FUSE (5A)	1	
23	36663-98J10	HARNES, ACTIVE HUB POWER	1	
24-1	34500-93J00	METER ASSY, HOUR	1	BLACK
24-2	34500-93J11	METER ASSY, HOUR	1	WHITE
25	09471-12103	.BULB (12V,3W,T6.5)	1	
26	36615-96300	.TERMINAL	4	
27-1	34600-93J00	METER ASSY, VOLTAGE	1	BLACK
27-2	34600-93J11	METER ASSY, VOLTAGE	1	WHITE
28	09471-12103	.BULB (12V,3W,T6.5)	1	
29	36615-96300	.TERMINAL	4	

DF20A_P01_013

FIG.130

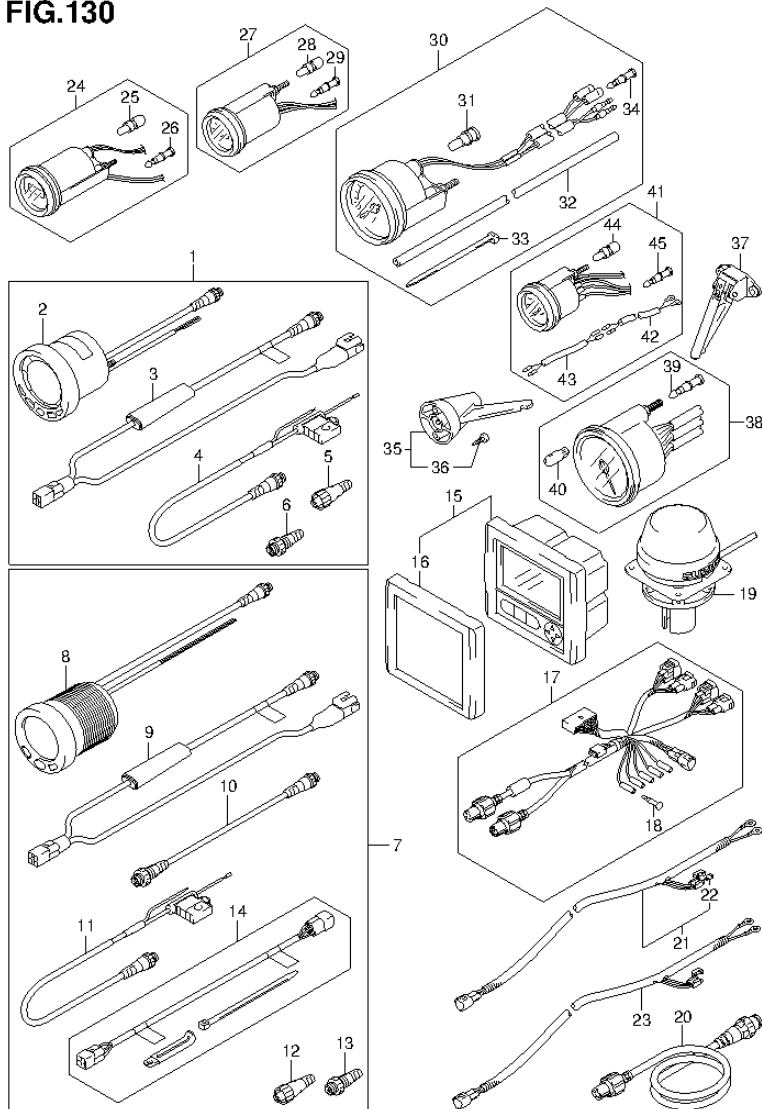
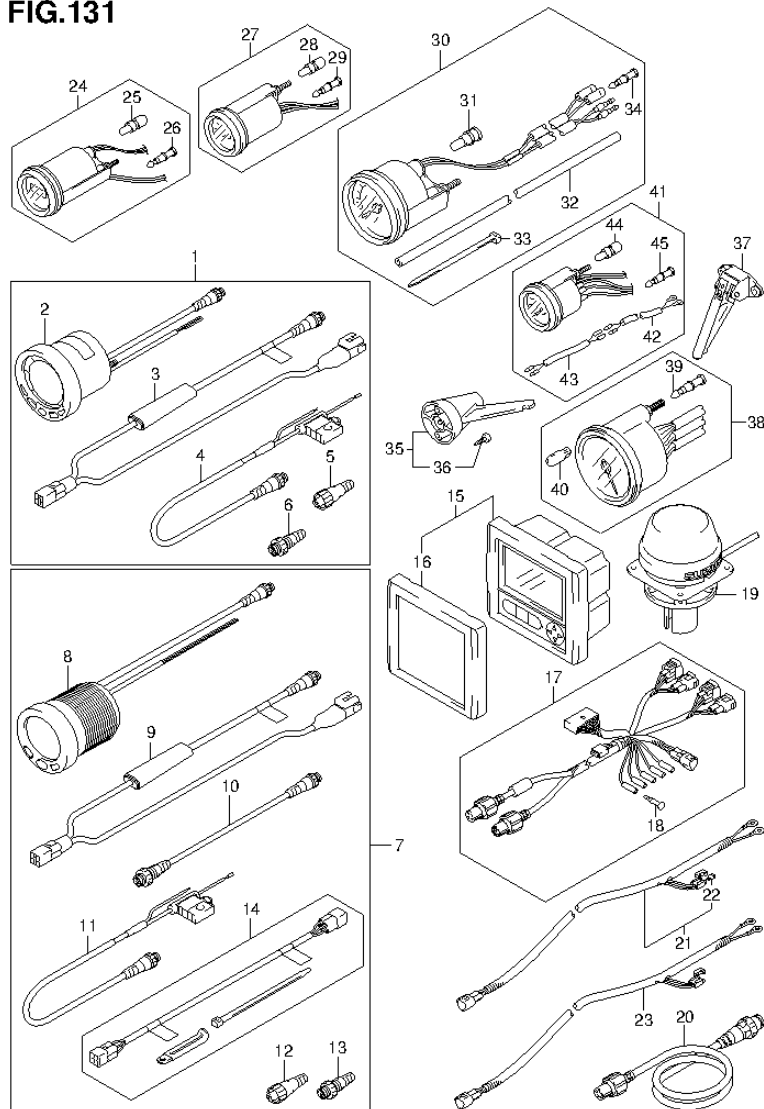


FIG.130 (1-L-9) OPT:METER (DF9.9BR P01)

REF NO.	PART NO.	DESCRIPTION	Q'TY	REMARKS
30-1	34100-93J20	SPEEDOMETER ASSY	1	MAX 80KM/H BLACK
30-2	34100-93J31	SPEEDOMETER ASSY	1	MAX 80KM/H WHITE
30-3	34100-93J40	SPEEDOMETER ASSY	1	MAX 45KNOTS BLACK
30-4	34100-93J51	SPEEDOMETER ASSY	1	MAX 45KNOTS WHITE
31	09471-12028	.BULB (12V,3.4W)	1	
32	34191-92E00	.TUBE	1	
33	09407-14407	.CLAMP (L:145)	2	
34	36615-96300	.TERMINAL, RESIN	2	
35	34190-95500	SENDER ASSY, SPEEDOMETER	1	
36	03112-06303	.SCREW	2	
37	34190-87D00	SENDER ASSY, SPEEDOMETER	1	
38-1	34200-93J20	TACHOMETER ASSY	1	BLACK
38-2	34200-93J31	TACHOMETER ASSY	1	WHITE
39	36615-96300	.TERMINAL	4	
40	09471-12028	.BULB (12V,3.4W)	1	
41-1	34300-93J00	GAUGE ASSY, FUEL	1	BLACK
41-2	34300-93J11	GAUGE ASSY, FUEL	1	WHITE
42	34310-92E00	.LEAD, FUEL GAUGE	1	
43	34360-92E00	ADAPTER, FUEL GAUGE	1	
44	09471-12103	.BULB (12V,3W,T6.5)	1	
45	36615-96300	.TERMINAL	5	

FIG.131



DF20A_P01_013_131
OPT:METER

FIG.131 (1-L-10) OPT:METER (DF15AR P01)

REF NO.	PART NO.	DESCRIPTION	Q'TY	REMARKS
1	34011-88L02	KIT, 4 IN MULTI GAUGE	1	
2	34200-88L02	.GAUGE ASSY, 4 IN MULTI	1	
3	34922-88L01	.UNIT, INTERFACE	1	
4	36663-88L00	.HARNES ASSY, NETWORK POWER	1	
5	36665-88L00	.UNIT, RESISTOR FEMALE	1	
6	36665-88L10	.UNIT, RESISTOR MALE	1	
7	34011-89L00	KIT, 2 IN MULTI GAUGE	1	
8	34800-88L01	.GAUGE ASSY, 2 IN MULTI	1	
9	34922-88L01	.UNIT, INTERFACE	1	
10	36662-88L00	.WIRE, 25 EXTENSION	1	
11	36663-88L00	.HARNES ASSY, NETWORK POWER	1	
12	36665-88L00	.UNIT, RESISTOR FEMALE	1	
13	36665-88L10	.UNIT, RESISTOR MALE	1	
14	36660-89L00	.SET, ENG TO INTERFACE WIRE	1	
15	34200-87L11	GAUGE ASSY, MULTI	1	
16	34211-87L00	.COVER, FRONT	1	
17	36661-87L00	ADAPTER, GAUGE	1	
18	36615-96300	.TERMINAL, RESIN	5	
19	39950-87L00	MODULE ASSY, GPS RECIVER	1	
20	36666-87L00	WIRE, NETWORK	1	
21	36663-98J00	WIRE, GAUGE POWER	1	
22	09481-05501	.FUSE (5A)	1	
23	36663-98J10	HARNES, ACTIVE HUB POWER	1	
24-1	34500-93J00	METER ASSY, HOUR	1	BLACK
24-2	34500-93J11	METER ASSY, HOUR	1	WHITE
25	09471-12103	.BULB (12V,3W,T6.5)	1	
26	36615-96300	.TERMINAL	4	
27-1	34600-93J00	METER ASSY, VOLTAGE	1	BLACK
27-2	34600-93J11	METER ASSY, VOLTAGE	1	WHITE
28	09471-12103	.BULB (12V,3W,T6.5)	1	
29	36615-96300	.TERMINAL	4	

DF20A_P01_013

FIG.131

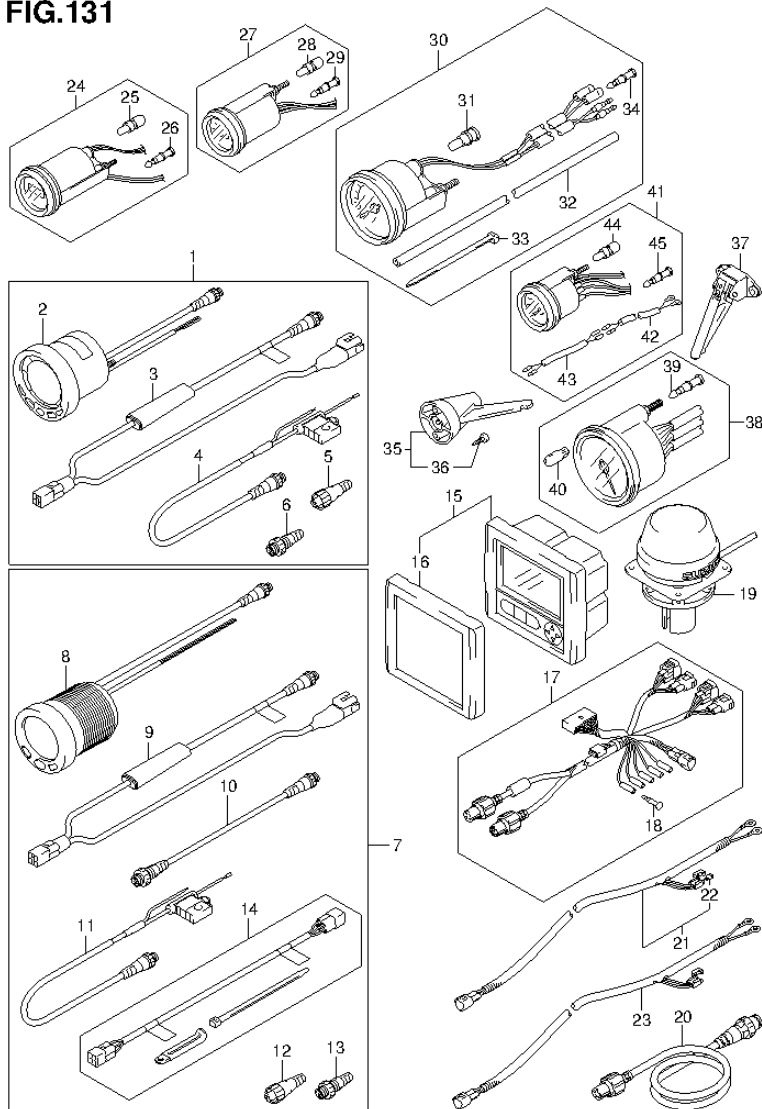
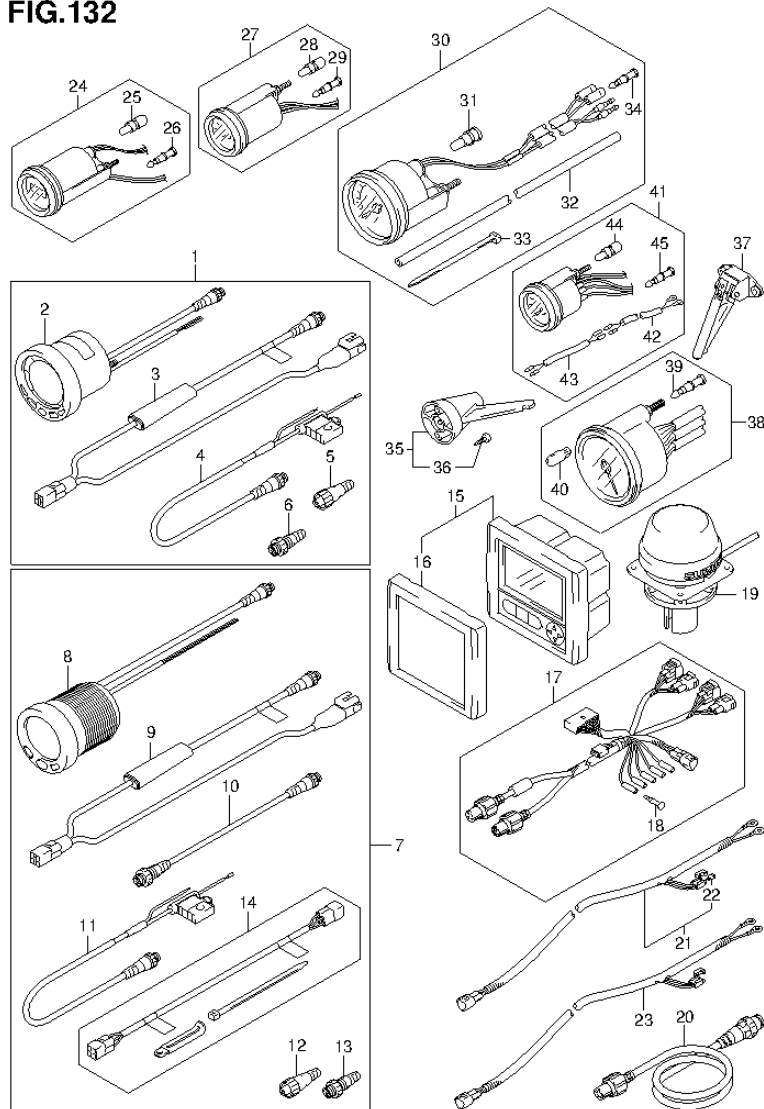


FIG.131 (1-L-11) OPT:METER (DF15AR P01)

REF NO.	PART NO.	DESCRIPTION	Q'TY	REMARKS
30-1	34100-93J20	SPEEDOMETER ASSY	1	MAX 80KM/H BLACK
30-2	34100-93J31	SPEEDOMETER ASSY	1	MAX 80KM/H WHITE
30-3	34100-93J40	SPEEDOMETER ASSY	1	MAX 45KNOTS BLACK
30-4	34100-93J51	SPEEDOMETER ASSY	1	MAX 45KNOTS WHITE
31	09471-12028	.BULB (12V,3.4W)	1	
32	34191-92E00	.TUBE	1	
33	09407-14407	.CLAMP (L:145)	2	
34	36615-96300	.TERMINAL, RESIN	2	
35	34190-95500	SENDER ASSY, SPEEDOMETER	1	
36	03112-06303	.SCREW	2	
37	34190-87D00	SENDER ASSY, SPEEDOMETER	1	
38-1	34200-93J20	TACHOMETER ASSY	1	BLACK
38-2	34200-93J31	TACHOMETER ASSY	1	WHITE
39	36615-96300	.TERMINAL	4	
40	09471-12028	.BULB (12V,3.4W)	1	
41-1	34300-93J00	GAUGE ASSY, FUEL	1	BLACK
41-2	34300-93J11	GAUGE ASSY, FUEL	1	WHITE
42	34310-92E00	.LEAD, FUEL GAUGE	1	
43	34360-92E00	ADAPTER, FUEL GAUGE	1	
44	09471-12103	.BULB (12V,3W,T6.5)	1	
45	36615-96300	.TERMINAL	5	

FIG.132



DF20A_P01_013_132
OPT:METER

FIG.132 (1-L-12) OPT:METER (DF20AR P01)

REF NO.	PART NO.	DESCRIPTION	Q'TY	REMARKS
1	34011-88L02	KIT, 4 IN MULTI GAUGE	1	
2	34200-88L02	.GAUGE ASSY, 4 IN MULTI	1	
3	34922-88L01	.UNIT, INTERFACE	1	
4	36663-88L00	.HARNESS ASSY, NETWORK POWER	1	
5	36665-88L00	.UNIT, RESISTOR FEMALE	1	
6	36665-88L10	.UNIT, RESISTOR MALE	1	
7	34011-89L00	KIT, 2 IN MULTI GAUGE	1	
8	34800-88L01	.GAUGE ASSY, 2 IN MULTI	1	
9	34922-88L01	.UNIT, INTERFACE	1	
10	36662-88L00	.WIRE, 25 EXTENSION	1	
11	36663-88L00	.HARNESS ASSY, NETWORK POWER	1	
12	36665-88L00	.UNIT, RESISTOR FEMALE	1	
13	36665-88L10	.UNIT, RESISTOR MALE	1	
14	36660-89L00	.SET, ENG TO INTERFACE WIRE	1	
15	34200-87L11	GAUGE ASSY, MULTI	1	
16	34211-87L00	.COVER, FRONT	1	
17	36661-87L00	ADAPTER, GAUGE	1	
18	36615-96300	.TERMINAL, RESIN	5	
19	39950-87L00	MODULE ASSY, GPS RECIVER	1	
20	36666-87L00	WIRE, NETWORK	1	
21	36663-98J00	WIRE, GAUGE POWER	1	
22	09481-05501	.FUSE (5A)	1	
23	36663-98J10	HARNESS, ACTIVE HUB POWER	1	
24-1	34500-93J00	METER ASSY, HOUR	1	BLACK
24-2	34500-93J11	METER ASSY, HOUR	1	WHITE
25	09471-12103	.BULB (12V,3W,T6.5)	1	
26	36615-96300	.TERMINAL	4	
27-1	34600-93J00	METER ASSY, VOLTAGE	1	BLACK
27-2	34600-93J11	METER ASSY, VOLTAGE	1	WHITE
28	09471-12103	.BULB (12V,3W,T6.5)	1	
29	36615-96300	.TERMINAL	4	

DF20A_P01_013

FIG.132

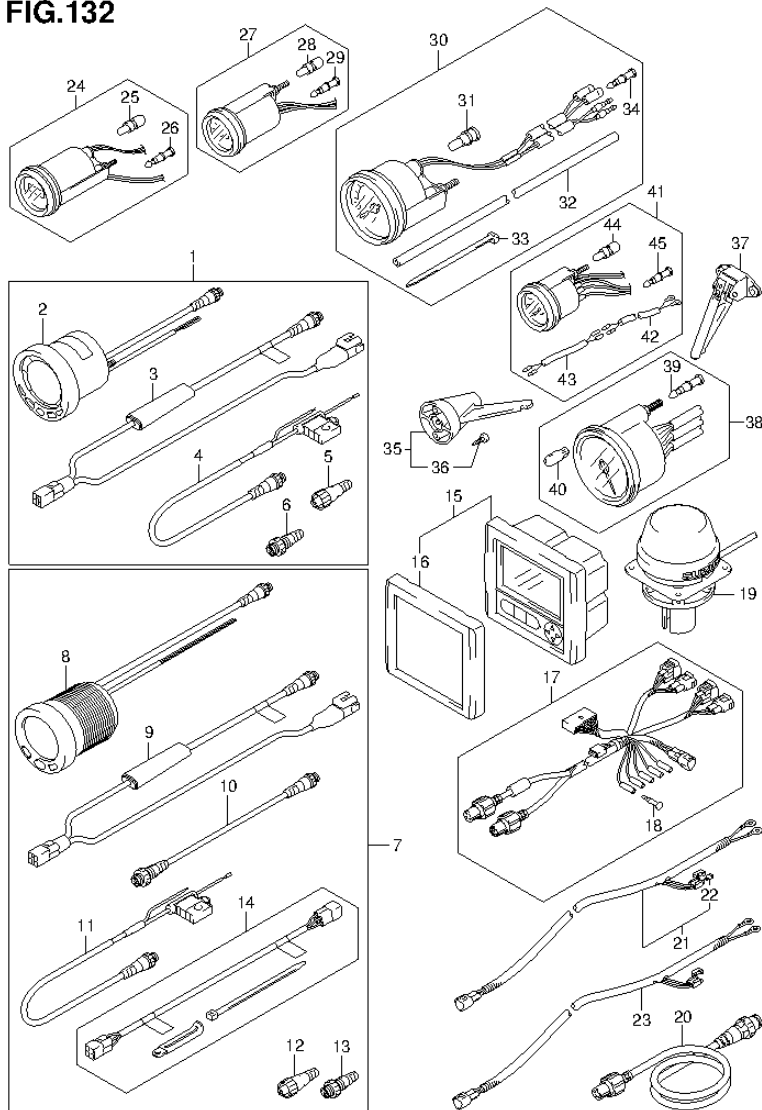


FIG.132 (1-L-13) OPT:METER (DF20AR P01)

REF NO.	PART NO.	DESCRIPTION	Q'TY	REMARKS
30-1	34100-93J20	SPEEDOMETER ASSY	1	MAX 80KM/H BLACK
30-2	34100-93J31	SPEEDOMETER ASSY	1	MAX 80KM/H WHITE
30-3	34100-93J40	SPEEDOMETER ASSY	1	MAX 45KNOTS BLACK
30-4	34100-93J51	SPEEDOMETER ASSY	1	MAX 45KNOTS WHITE
31	09471-12028	.BULB (12V,3.4W)	1	
32	34191-92E00	.TUBE	1	
33	09407-14407	.CLAMP (L:145)	2	
34	36615-96300	.TERMINAL, RESIN	2	
35	34190-95500	SENDER ASSY, SPEEDOMETER	1	
36	03112-06303	.SCREW	2	
37	34190-87D00	SENDER ASSY, SPEEDOMETER	1	
38-1	34200-93J20	TACHOMETER ASSY	1	BLACK
38-2	34200-93J31	TACHOMETER ASSY	1	WHITE
39	36615-96300	.TERMINAL	4	
40	09471-12028	.BULB (12V,3.4W)	1	
41-1	34300-93J00	GAUGE ASSY, FUEL	1	BLACK
41-2	34300-93J11	GAUGE ASSY, FUEL	1	WHITE
42	34310-92E00	.LEAD, FUEL GAUGE	1	
43	34360-92E00	ADAPTER, FUEL GAUGE	1	
44	09471-12103	.BULB (12V,3W,T6.5)	1	
45	36615-96300	.TERMINAL	5	

FIG.133

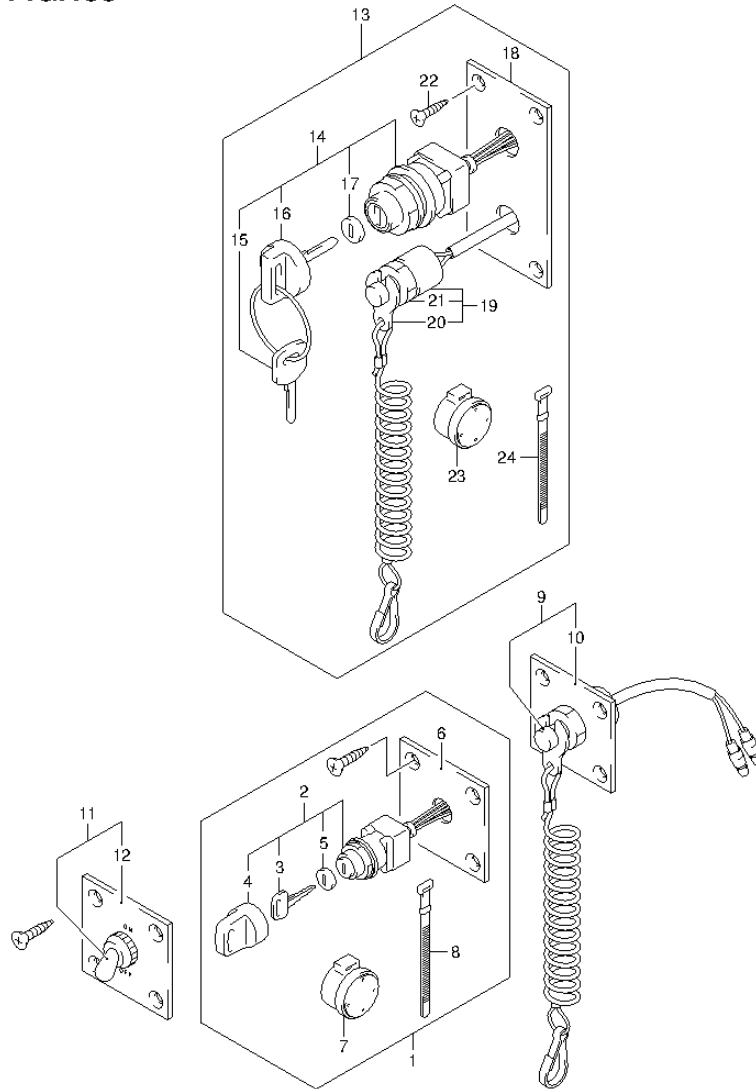


FIG.133 (1-L-14) OPT:SWITCH (DF9.9BR P01)

REF NO.	PART NO.	DESCRIPTION	Q'TY	REMARKS
1	37100-96J00	PANEL ASSY, IGNITION SW	1	
2	37110-93J01	.SWITCH ASSY, IGNITION	1	
3-1	37141-99E00	..KEY (931)	2	
3-2	37141-99E10	..KEY (932)	2	
3-3	37141-99E20	..KEY (933)	2	
3-4	37141-99E30	..KEY (934)	2	
3-5	37141-99E40	..KEY (935)	2	
3-6	37141-99E50	..KEY (936)	2	
3-7	37141-99E60	..KEY (937)	2	
3-8	37141-99E70	..KEY (938)	2	
3-9	37141-99E80	..KEY (939)	2	
3-10	37141-99E90	..KEY (940)	2	
3-11	37141-99EA0	..KEY (941)	2	
3-12	37141-99EB0	..KEY (942)	2	
4	37143-99E00	..CAP, KEY	1	
5	37149-93J00	..CAP, CYLINDER BODY	1	
6	37139-99E00	.PANEL, IGNITION SW	1	
7	38500-93J90	.BUZZER ASSY, WARNING	1	
8	09407-08401	.CLAMP (L:80)	1	
9	37803-93J03	PANEL ASSY, EMERGENCY SW	1	
10	37825-99E00	.PANEL, EMERGENCY SW	1	
11	37210-93J00	PANEL ASSY, LIGHTING SW	1	
12	37212-93J00	.PANEL, LIGHTING SW	1	

FIG.133

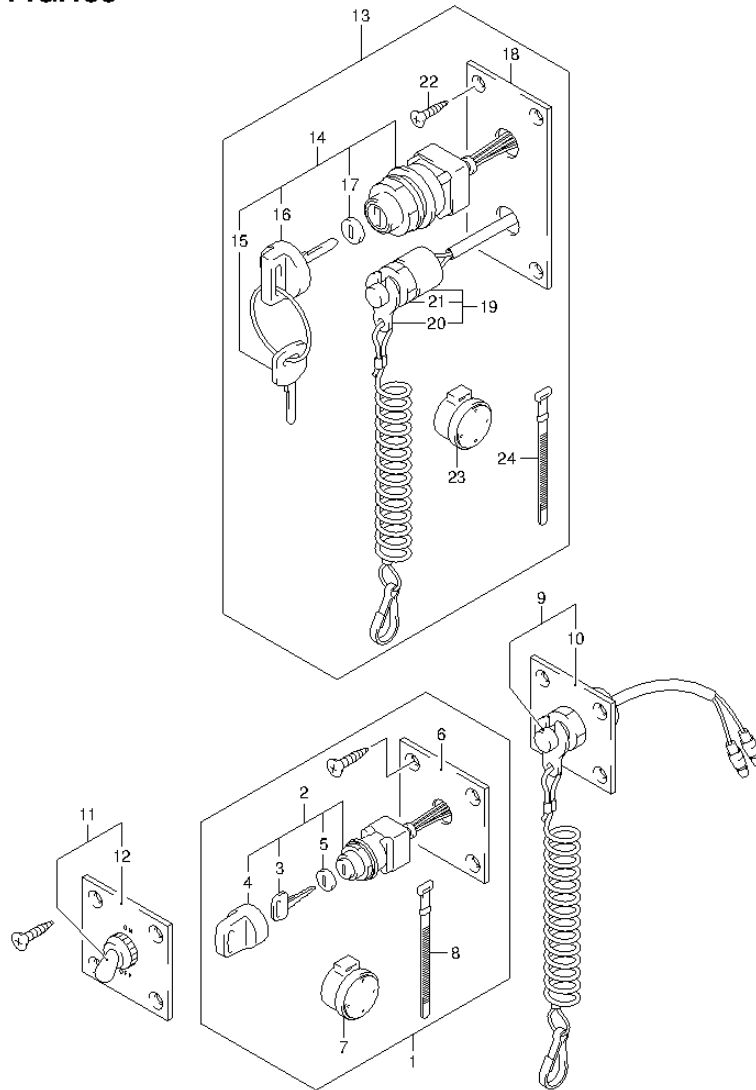


FIG.133 (1-L-15) OPT:SWITCH (DF9.9BR P01)

REF NO.	PART NO.	DESCRIPTION	Q'TY	REMARKS
13	37100-96J23	PANEL ASSY, ENGINE SW	1	
14	37110-93J01	.SWITCH ASSY, IGNITION	1	
15-1	37141-99E00	..KEY (931)	2	
15-2	37141-99E10	..KEY (932)	2	
15-3	37141-99E20	..KEY (933)	2	
15-4	37141-99E30	..KEY (934)	2	
15-5	37141-99E40	..KEY (935)	2	
15-6	37141-99E50	..KEY (936)	2	
15-7	37141-99E60	..KEY (937)	2	
15-8	37141-99E70	..KEY (938)	2	
15-9	37141-99E80	..KEY (939)	2	
15-10	37141-99E90	..KEY (940)	2	
15-11	37141-99EA0	..KEY (941)	2	
15-12	37141-99EB0	..KEY (942)	2	
16	37143-99E00	..CAP, KEY	1	
17	37149-93J00	..CAP, CYLINDER BODY	1	
18	37139-99E20	.PANEL, IGNITION SWITCH	1	
19	37820-93J03	.SWITCH ASSY, EMERGENCY	1	
20	37823-92E01	..PLATE ASSY, EMERGENCY	1	
21	37826-92E00	..NUT	1	
22	03121-0516A	.SCREW	4	
23	38500-93J90	.BUZZER ASSY, WARNING	1	
24	09407-08401	.CLAMP (L:80)	1	

FIG.134

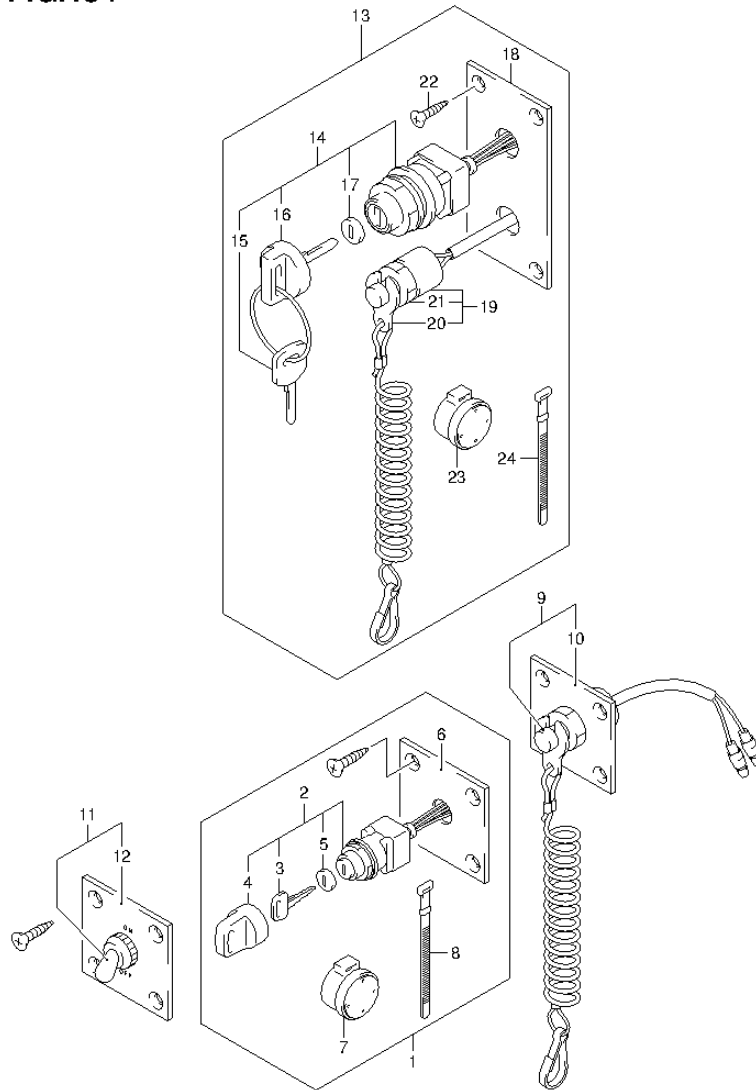
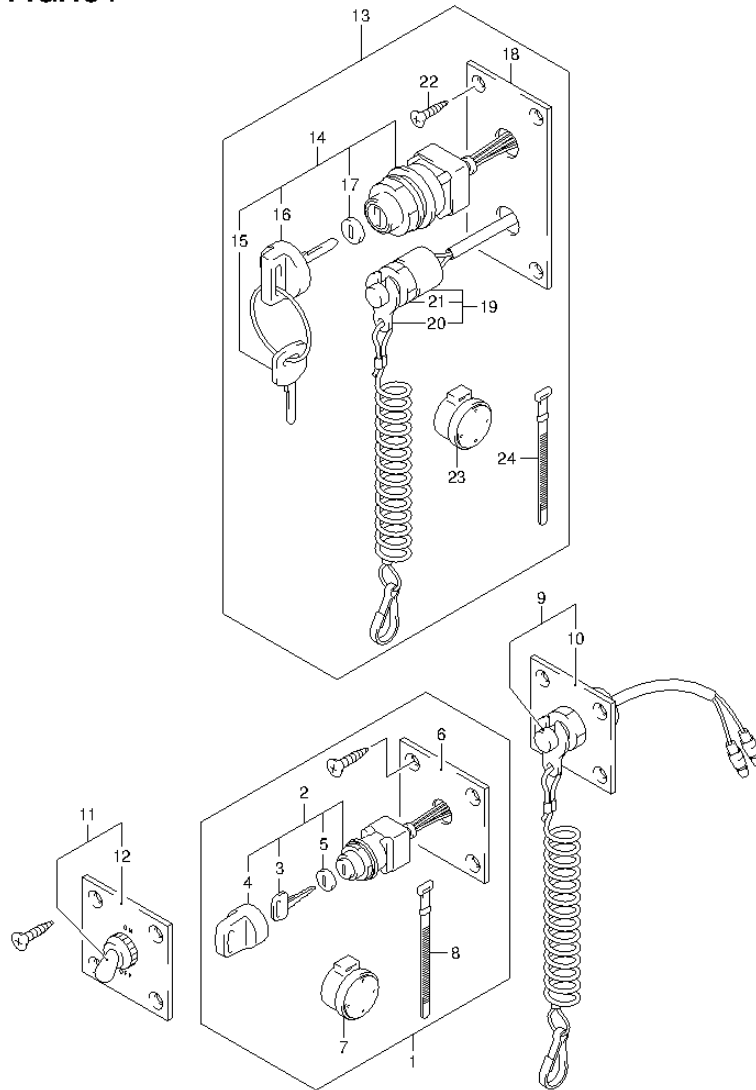


FIG.134 (2-B-2) OPT:SWITCH (DF15AR P01)

REF NO.	PART NO.	DESCRIPTION	Q'TY	REMARKS
1	37100-96J00	PANEL ASSY, IGNITION SW	1	
2	37110-93J01	.SWITCH ASSY, IGNITION	1	
3-1	37141-99E00	..KEY (931)	2	
3-2	37141-99E10	..KEY (932)	2	
3-3	37141-99E20	..KEY (933)	2	
3-4	37141-99E30	..KEY (934)	2	
3-5	37141-99E40	..KEY (935)	2	
3-6	37141-99E50	..KEY (936)	2	
3-7	37141-99E60	..KEY (937)	2	
3-8	37141-99E70	..KEY (938)	2	
3-9	37141-99E80	..KEY (939)	2	
3-10	37141-99E90	..KEY (940)	2	
3-11	37141-99EA0	..KEY (941)	2	
3-12	37141-99EB0	..KEY (942)	2	
4	37143-99E00	..CAP, KEY	1	
5	37149-93J00	..CAP, CYLINDER BODY	1	
6	37139-99E00	.PANEL, IGNITION SW	1	
7	38500-93J90	.BUZZER ASSY, WARNING	1	
8	09407-08401	.CLAMP (L:80)	1	
9	37803-93J03	PANEL ASSY, EMERGENCY SW	1	
10	37825-99E00	.PANEL, EMERGENCY SW	1	
11	37210-93J00	PANEL ASSY, LIGHTING SW	1	
12	37212-93J00	.PANEL, LIGHTING SW	1	

FIG.134



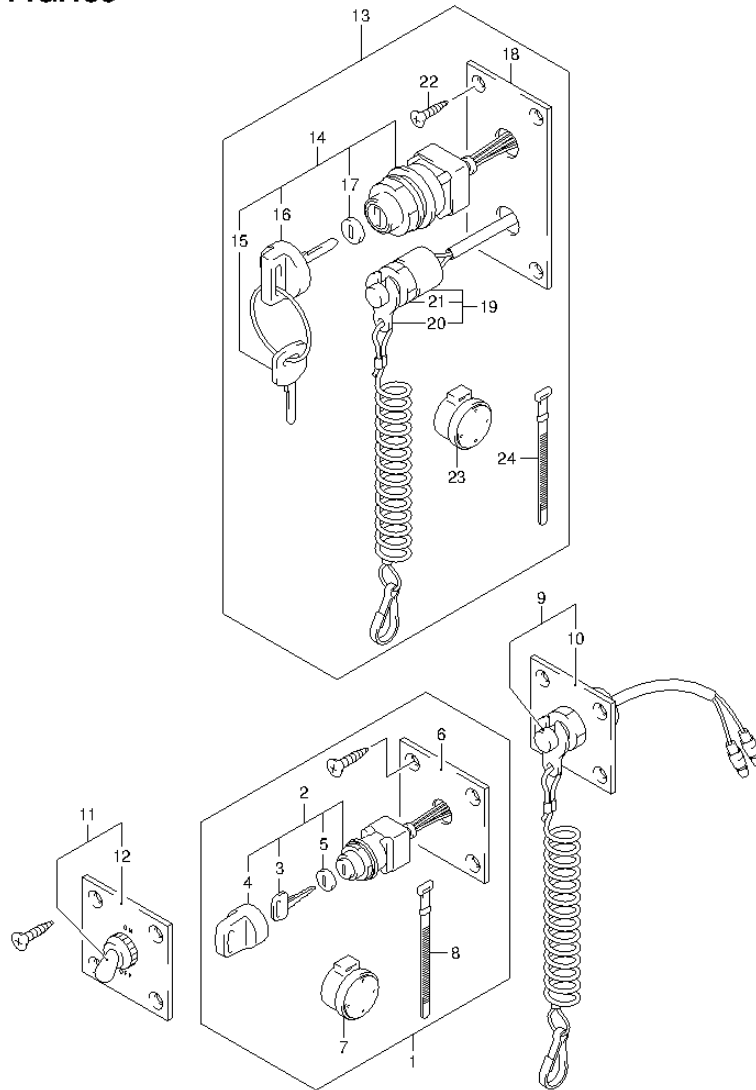
DF20A_P01_013_134
OPT:SWITCH

FIG.134 (2-B-3) OPT:SWITCH (DF15AR P01)

REF NO.	PART NO.	DESCRIPTION	Q'TY	REMARKS
13	37100-96J23	PANEL ASSY, ENGINE SW	1	
14	37110-93J01	.SWITCH ASSY, IGNITION	1	
15-1	37141-99E00	..KEY (931)	2	
15-2	37141-99E10	..KEY (932)	2	
15-3	37141-99E20	..KEY (933)	2	
15-4	37141-99E30	..KEY (934)	2	
15-5	37141-99E40	..KEY (935)	2	
15-6	37141-99E50	..KEY (936)	2	
15-7	37141-99E60	..KEY (937)	2	
15-8	37141-99E70	..KEY (938)	2	
15-9	37141-99E80	..KEY (939)	2	
15-10	37141-99E90	..KEY (940)	2	
15-11	37141-99EA0	..KEY (941)	2	
15-12	37141-99EB0	..KEY (942)	2	
16	37143-99E00	..CAP, KEY	1	
17	37149-93J00	..CAP, CYLINDER BODY	1	
18	37139-99E20	.PANEL, IGNITION SWITCH	1	
19	37820-93J03	.SWITCH ASSY, EMERGENCY	1	
20	37823-92E01	..PLATE ASSY, EMERGENCY	1	
21	37826-92E00	..NUT	1	
22	03121-0516A	.SCREW	4	
23	38500-93J90	.BUZZER ASSY, WARNING	1	
24	09407-08401	.CLAMP (L:80)	1	

DF20A_P01_013

FIG.135



DF20A_P01_013_135
OPT:SWITCH

FIG.135 (2-B-4) OPT:SWITCH (DF20AR P01)

REF NO.	PART NO.	DESCRIPTION	Q'TY	REMARKS
1	37100-96J00	PANEL ASSY, IGNITION SW	1	
2	37110-93J01	.SWITCH ASSY, IGNITION	1	
3-1	37141-99E00	..KEY (931)	2	
3-2	37141-99E10	..KEY (932)	2	
3-3	37141-99E20	..KEY (933)	2	
3-4	37141-99E30	..KEY (934)	2	
3-5	37141-99E40	..KEY (935)	2	
3-6	37141-99E50	..KEY (936)	2	
3-7	37141-99E60	..KEY (937)	2	
3-8	37141-99E70	..KEY (938)	2	
3-9	37141-99E80	..KEY (939)	2	
3-10	37141-99E90	..KEY (940)	2	
3-11	37141-99EA0	..KEY (941)	2	
3-12	37141-99EB0	..KEY (942)	2	
4	37143-99E00	..CAP, KEY	1	
5	37149-93J00	..CAP, CYLINDER BODY	1	
6	37139-99E00	.PANEL, IGNITION SW	1	
7	38500-93J90	.BUZZER ASSY, WARNING	1	
8	09407-08401	.CLAMP (L:80)	1	
9	37803-93J03	PANEL ASSY, EMERGENCY SW	1	
10	37825-99E00	.PANEL, EMERGENCY SW	1	
11	37210-93J00	PANEL ASSY, LIGHTING SW	1	
12	37212-93J00	.PANEL, LIGHTING SW	1	

DF20A_P01_013

FIG.135

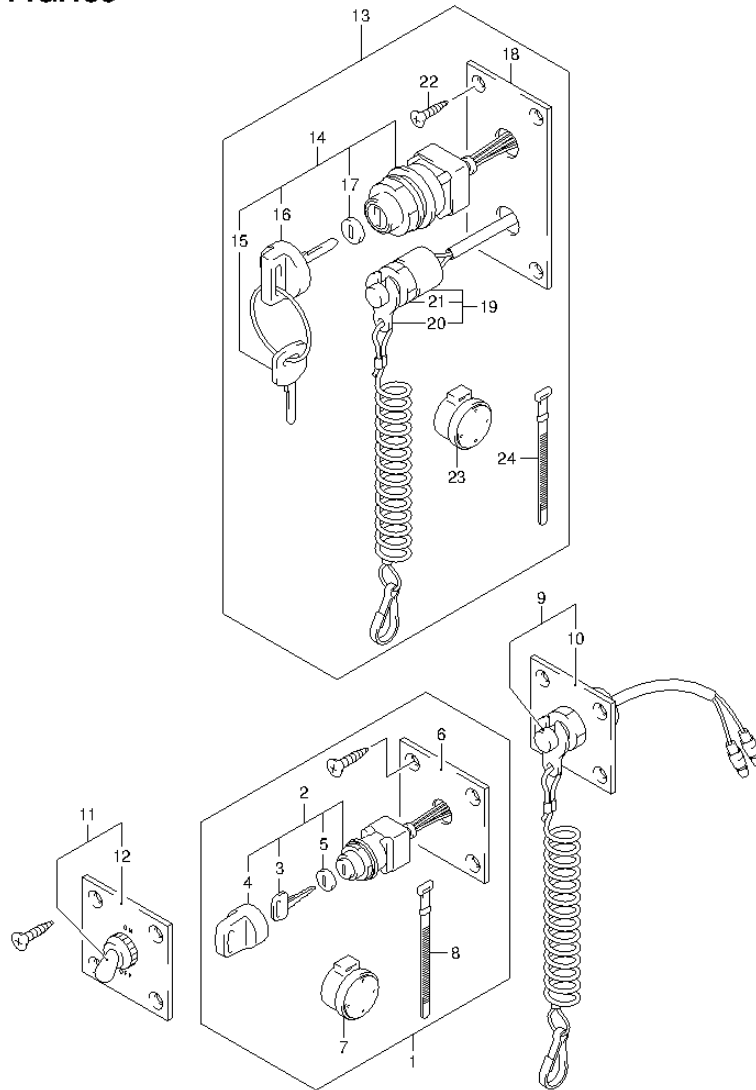


FIG.135 (2-B-5) OPT:SWITCH (DF20AR P01)

REF NO.	PART NO.	DESCRIPTION	Q'TY	REMARKS
13	37100-96J23	PANEL ASSY, ENGINE SW	1	
14	37110-93J01	..SWITCH ASSY, IGNITION	1	
15-1	37141-99E00	..KEY (931)	2	
15-2	37141-99E10	..KEY (932)	2	
15-3	37141-99E20	..KEY (933)	2	
15-4	37141-99E30	..KEY (934)	2	
15-5	37141-99E40	..KEY (935)	2	
15-6	37141-99E50	..KEY (936)	2	
15-7	37141-99E60	..KEY (937)	2	
15-8	37141-99E70	..KEY (938)	2	
15-9	37141-99E80	..KEY (939)	2	
15-10	37141-99E90	..KEY (940)	2	
15-11	37141-99EA0	..KEY (941)	2	
15-12	37141-99EB0	..KEY (942)	2	
16	37143-99E00	..CAP, KEY	1	
17	37149-93J00	..CAP, CYLINDER BODY	1	
18	37139-99E20	..PANEL, IGNITION SWITCH	1	
19	37820-93J03	..SWITCH ASSY, EMERGENCY	1	
20	37823-92E01	..PLATE ASSY, EMERGENCY	1	
21	37826-92E00	..NUT	1	
22	03121-0516A	..SCREW	4	
23	38500-93J90	..BUZZER ASSY, WARNING	1	
24	09407-08401	..CLAMP (L:80)	1	

FIG.136

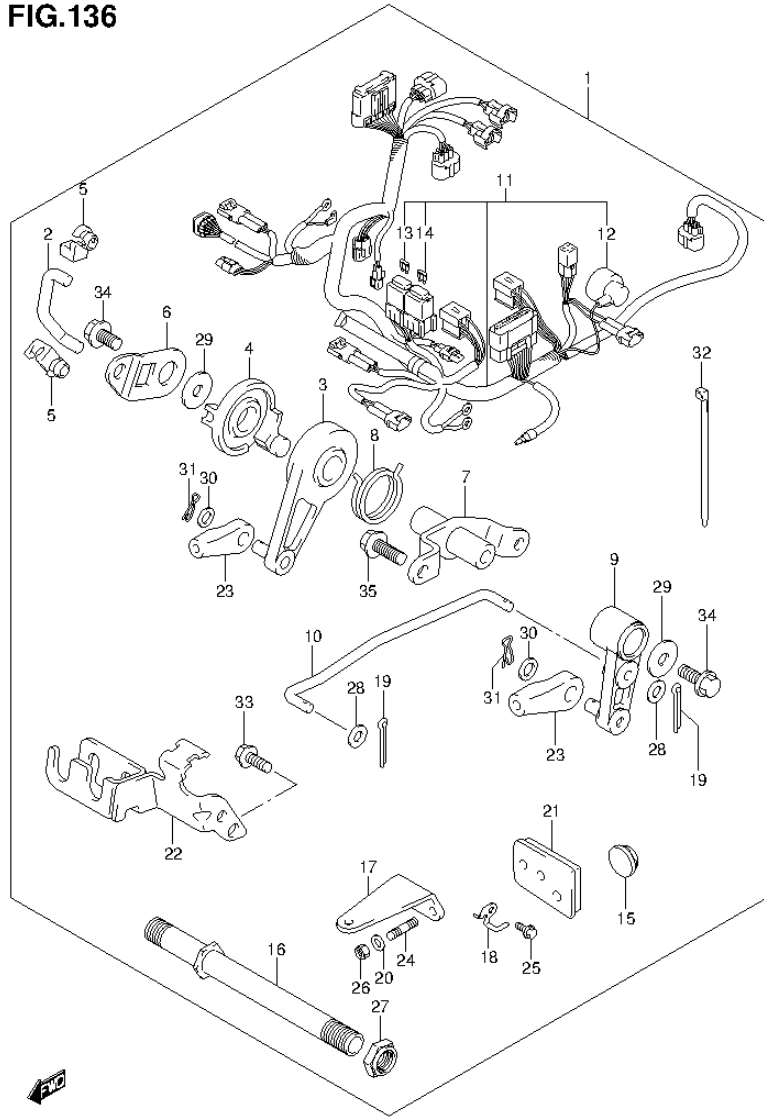


FIG.136 (2-B-6) OPT:REMOTE CONTROL PARTS (DF9.9B P01)

REF NO.	PART NO.	DESCRIPTION	Q'TY	REMARKS
1	67130-89L00	PARTS SET, R/CON	1	
2	13513-89L10	.ROD,THROTTLE	1	
3	19120-99J10	.LEVER, THROTTLE CONTROL	1	
4	19122-99J00	.LEVER, INTERLINK THROTTLE NO.2	1	
5	19131-89L00	.CONNECTOR	2	
6	19148-89L10	.LEVER, INTERLINK THROTTLE NO.1	1	
7	19150-89L00	.BRACKET, THROTTLE LEVER	1	
8	19185-99J00	.SPRING,THROTTLE LEVER	1	
9	21110-89L10	.LEVER, CLUTCH	1	
10	23115-89L10	.LINK, CLUTCH LEVER	1	
11	36610-89L20	.HARNES ASSY, WIRING	1	
12	36618-43410	..CAP, OIL PRESSURE SWITCH	1	
13	09481-10501	..FUSE (10A)	1	
14	09481-30501	..FUSE (30A)	1	
15	37163-89L00	.PLUG, STARTING SWITCH HOLE	1	
16	41130-89L00	.SHAFT, CLAMP BRACKET	1	
17	43755-99J00	.ATTACHMENT, STEERING BRACKET	1	
18	43759-89L00	.HOLDER, DRAIN HOSE	1	
19	09204-01002	.PIN	2	
20	09160-08082	.WASHER (8.5X16X1.2)	2	
21	61124-89L20	.GROMMET, R/CON CABLE	1	
22	67340-89L00	.HOLDER, R/CON CABLE	1	
23	67467-89J01	.CONNECTOR	2	
24	09108-08286	.STUD BOLT	2	
25	09116-06225	.BOLT (6X15)	1	
26	09159-08059	.NUT	2	
27	09159-22006	.NUT	1	

FIG.136

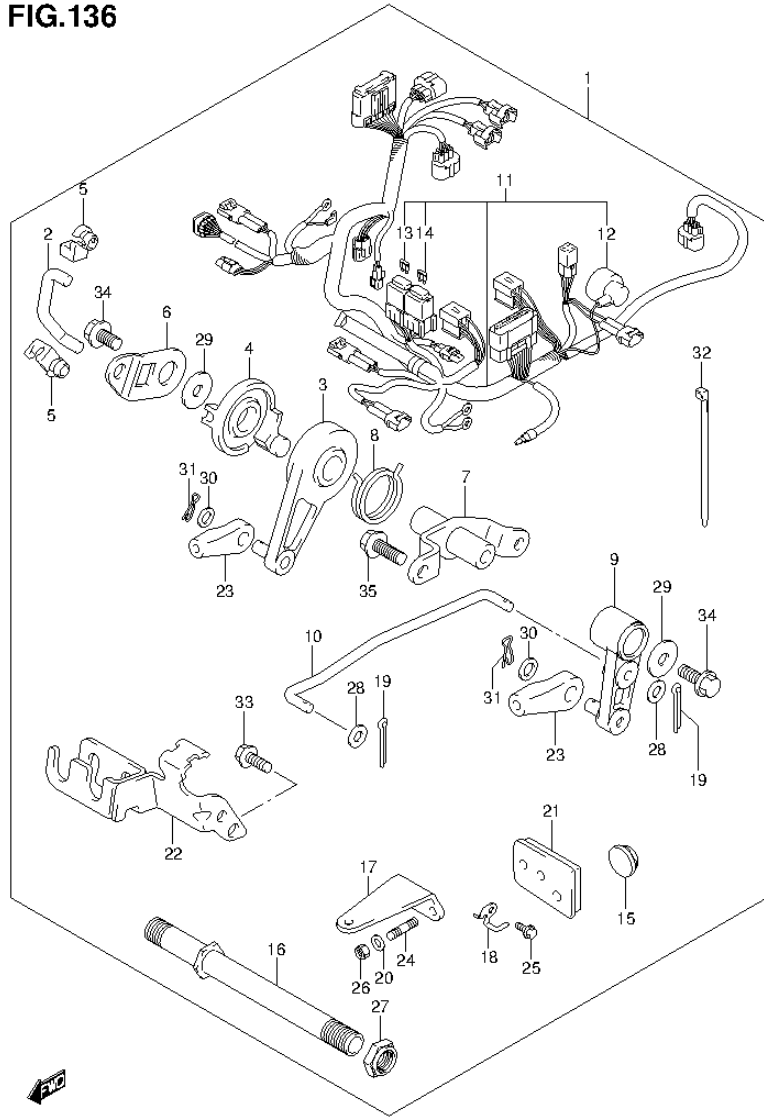


FIG.136 (2-B-7) OPT:REMOTE CONTROL PARTS (DF9.9B P01)

REF NO.	PART NO.	DESCRIPTION	Q'TY	REMARKS
28	09160-05029	.WASHER (5.5X12X0.8)	2	
29	09160-06046	.WASHER (6.5X20X1.5)	2	
30	09160-06055	.WASHER (7X12X1)	2	
31	09385-06012	.CLIP	2	
32	09407-14407	.CLAMP (L:145)	12	
33	01547-06167	.BOLT	2	
34	01550-06127	.BOLT	2	
35	01550-06167	.BOLT	2	

FIG.137

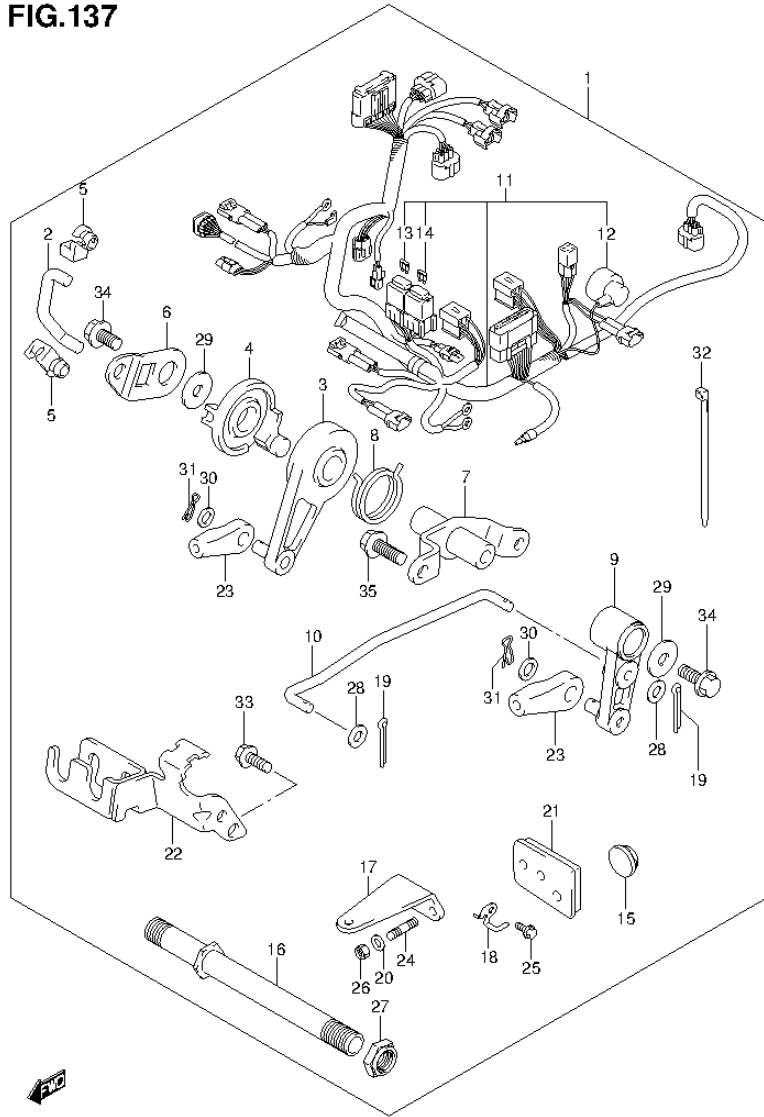


FIG.137 (2-B-8) OPT:REMOTE CONTROL PARTS (DF15A P01)

REF NO.	PART NO.	DESCRIPTION	Q'TY	REMARKS
1	67130-89L00	PARTS SET, R/CON	1	
2	13513-89L10	.ROD,THROTTLE	1	
3	19120-99J10	.LEVER, THROTTLE CONTROL	1	
4	19122-99J00	.LEVER, INTERLINK THROTTLE NO.2	1	
5	19131-89L00	.CONNECTOR	2	
6	19148-89L10	.LEVER, INTERLINK THROTTLE NO.1	1	
7	19150-89L00	.BRACKET, THROTTLE LEVER	1	
8	19185-99J00	.SPRING,THROTTLE LEVER	1	
9	21110-89L10	.LEVER, CLUTCH	1	
10	23115-89L10	.LINK, CLUTCH LEVER	1	
11	36610-89L20	.HARNES ASSY, WIRING	1	
12	36618-43410	..CAP, OIL PRESSURE SWITCH	1	
13	09481-10501	..FUSE (10A)	1	
14	09481-30501	..FUSE (30A)	1	
15	37163-89L00	.PLUG, STARTING SWITCH HOLE	1	
16	41130-89L00	.SHAFT, CLAMP BRACKET	1	
17	43755-99J00	.ATTACHMENT, STEERING BRACKET	1	
18	43759-89L00	.HOLDER, DRAIN HOSE	1	
19	09204-01002	.PIN	2	
20	09160-08082	.WASHER (8.5X16X1.2)	2	
21	61124-89L20	.GROMMET, R/CON CABLE	1	
22	67340-89L00	.HOLDER, R/CON CABLE	1	
23	67467-89J01	.CONNECTOR	2	
24	09108-08286	.STUD BOLT	2	
25	09116-06225	.BOLT (6X15)	1	
26	09159-08059	.NUT	2	
27	09159-22006	.NUT	1	

FIG.137

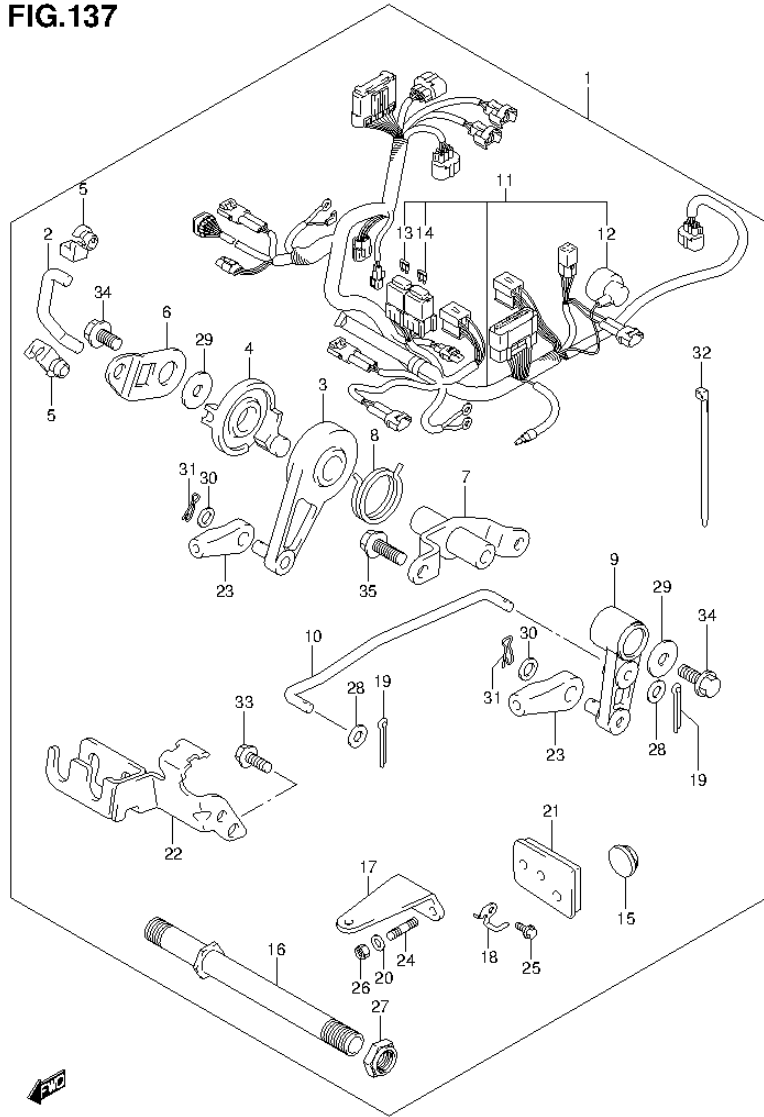


FIG.137 (2-B-9) OPT:REMOTE CONTROL PARTS (DF15A P01)

REF NO.	PART NO.	DESCRIPTION	Q'TY	REMARKS
28	09160-05029	.WASHER (5.5X12X0.8)	2	
29	09160-06046	.WASHER (6.5X20X1.5)	2	
30	09160-06055	.WASHER (7X12X1)	2	
31	09385-06012	.CLIP	2	
32	09407-14407	.CLAMP (L:145)	12	
33	01547-06167	.BOLT	2	
34	01550-06127	.BOLT	2	
35	01550-06167	.BOLT	2	



FIG.138

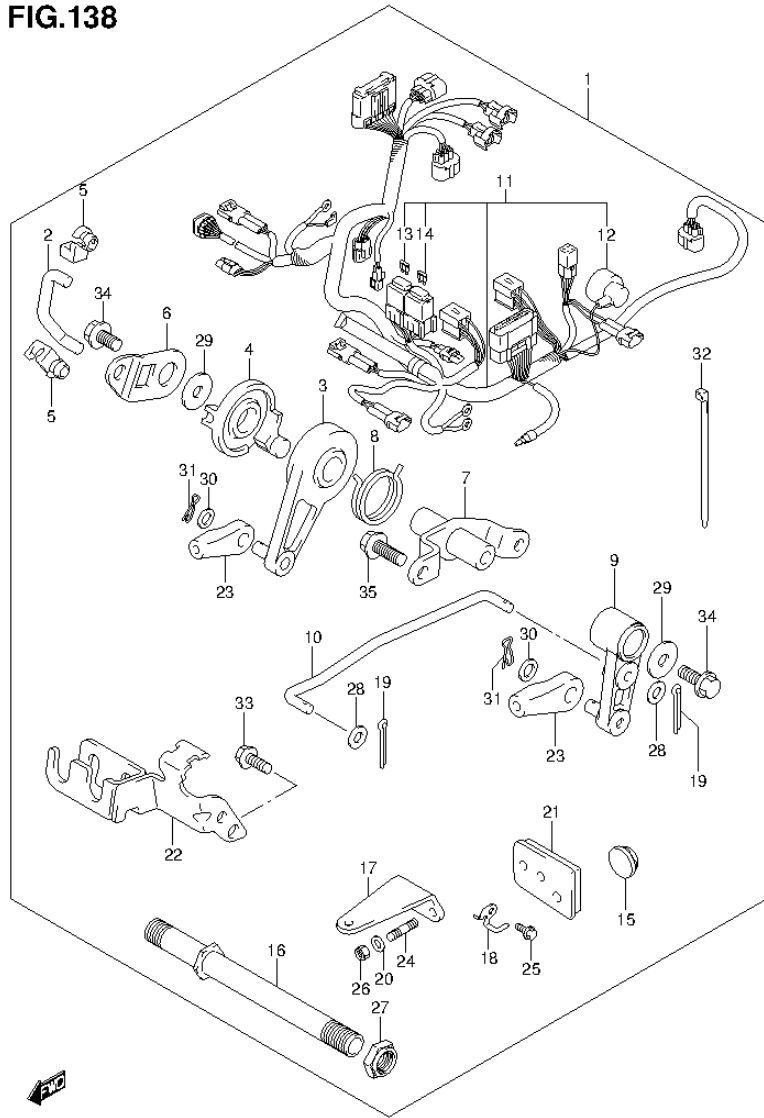


FIG.138 (2-B-10) OPT:REMOTE CONTROL PARTS (DF20A P01)

REF NO.	PART NO.	DESCRIPTION	Q'TY	REMARKS
1	67130-89L00	PARTS SET, R/CON	1	
2	13513-89L10	.ROD,THROTTLE	1	
3	19120-99J10	.LEVER, THROTTLE CONTROL	1	
4	19122-99J00	.LEVER, INTERLINK THROTTLE NO.2	1	
5	19131-89L00	.CONNECTOR	2	
6	19148-89L10	.LEVER, INTERLINK THROTTLE NO.1	1	
7	19150-89L00	.BRACKET, THROTTLE LEVER	1	
8	19185-99J00	.SPRING,THROTTLE LEVER	1	
9	21110-89L10	.LEVER, CLUTCH	1	
10	23115-89L10	.LINK, CLUTCH LEVER	1	
11	36610-89L20	.HARNES ASSY, WIRING	1	
12	36618-43410	..CAP, OIL PRESSURE SWITCH	1	
13	09481-10501	..FUSE (10A)	1	
14	09481-30501	..FUSE (30A)	1	
15	37163-89L00	.PLUG, STARTING SWITCH HOLE	1	
16	41130-89L00	.SHAFT, CLAMP BRACKET	1	
17	43755-99J00	.ATTACHMENT, STEERING BRACKET	1	
18	43759-89L00	.HOLDER, DRAIN HOSE	1	
19	09204-01002	.PIN	2	
20	09160-08082	.WASHER (8.5X16X1.2)	2	
21	61124-89L20	.GROMMET, R/CON CABLE	1	
22	67340-89L00	.HOLDER, R/CON CABLE	1	
23	67467-89J01	.CONNECTOR	2	
24	09108-08286	.STUD BOLT	2	
25	09116-06225	.BOLT (6X15)	1	
26	09159-08059	.NUT	2	
27	09159-22006	.NUT	1	

FIG.138

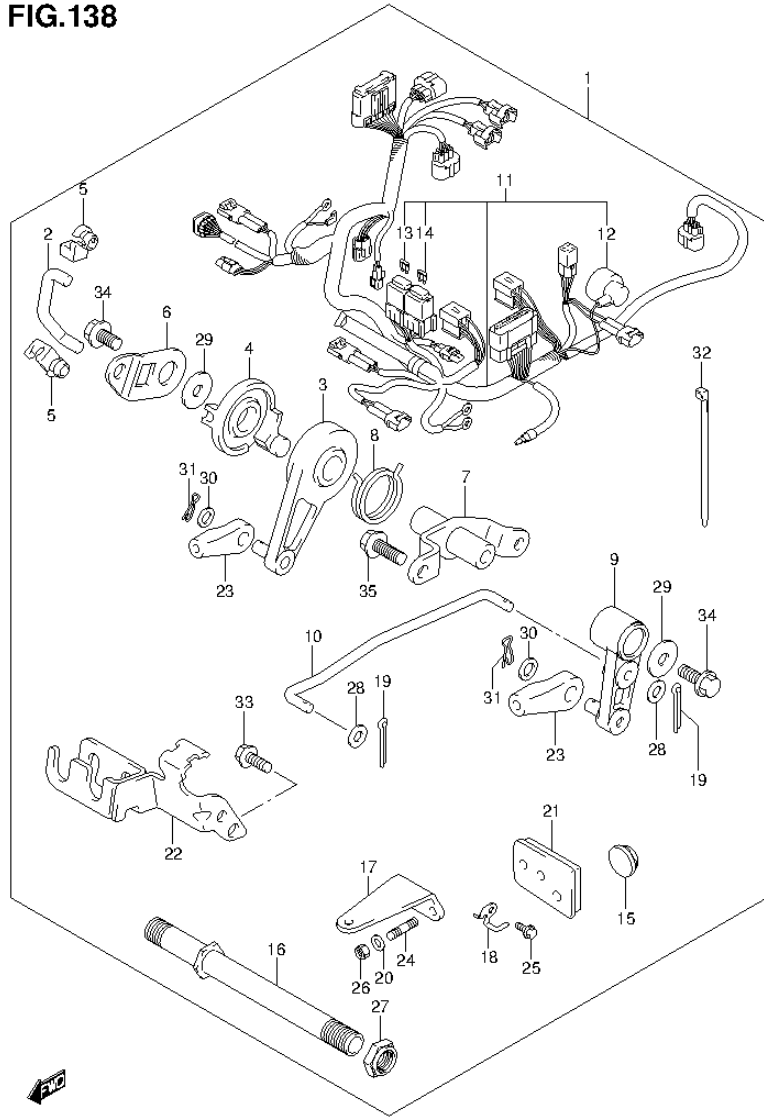


FIG.138 (2-B-11) OPT:REMOTE CONTROL PARTS (DF20A P01)

REF NO.	PART NO.	DESCRIPTION	Q'TY	REMARKS
28	09160-05029	.WASHER (5.5X12X0.8)	2	
29	09160-06046	.WASHER (6.5X20X1.5)	2	
30	09160-06055	.WASHER (7X12X1)	2	
31	09385-06012	.CLIP	2	
32	09407-14407	.CLAMP (L:145)	12	
33	01547-06167	.BOLT	2	
34	01550-06127	.BOLT	2	
35	01550-06167	.BOLT	2	

FIG.139

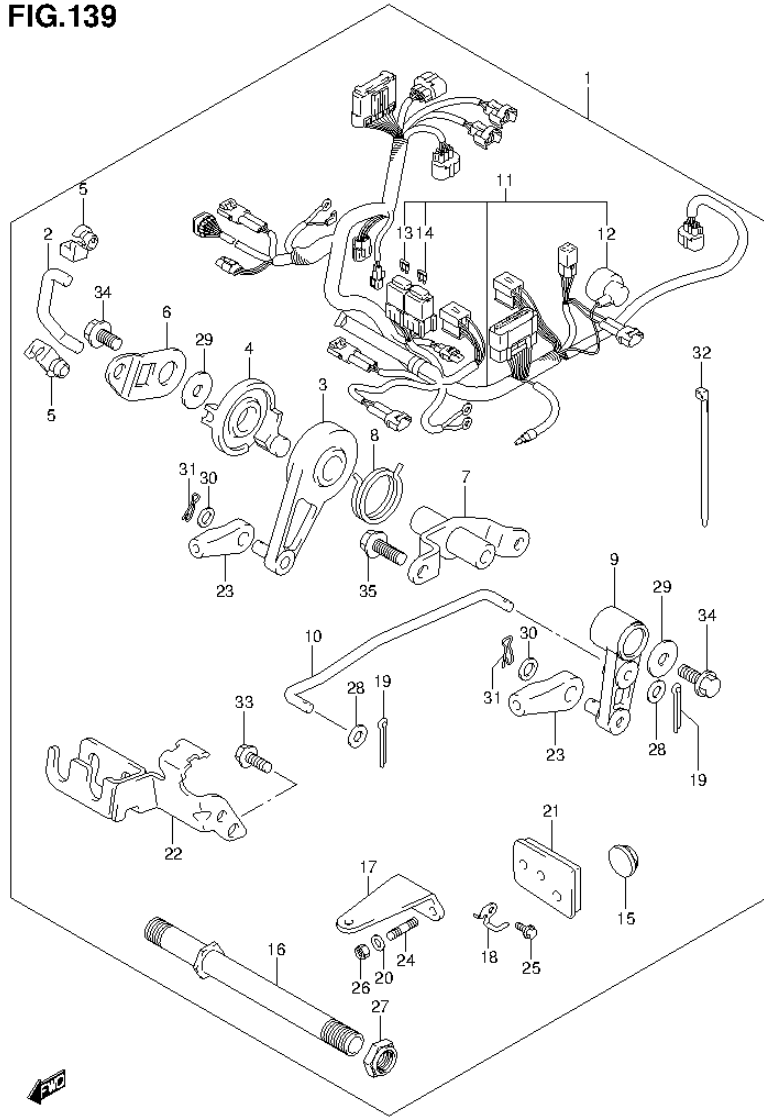


FIG.139 (2-B-12) OPT:REMOTE CONTROL PARTS (DF20A P40)

REF NO.	PART NO.	DESCRIPTION	Q'TY	REMARKS
1	67130-89L00	PARTS SET, R/CON	1	
2	13513-89L10	.ROD,THROTTLE	1	
3	19120-99J10	.LEVER, THROTTLE CONTROL	1	
4	19122-99J00	.LEVER, INTERLINK THROTTLE NO.2	1	
5	19131-89L00	.CONNECTOR	2	
6	19148-89L10	.LEVER, INTERLINK THROTTLE NO.1	1	
7	19150-89L00	.BRACKET, THROTTLE LEVER	1	
8	19185-99J00	.SPRING,THROTTLE LEVER	1	
9	21110-89L10	.LEVER, CLUTCH	1	
10	23115-89L10	.LINK, CLUTCH LEVER	1	
11	36610-89L20	.HARNES ASSY, WIRING	1	
12	36618-43410	..CAP, OIL PRESSURE SWITCH	1	
13	09481-10501	..FUSE (10A)	1	
14	09481-30501	..FUSE (30A)	1	
15	37163-89L00	.PLUG, STARTING SWITCH HOLE	1	
16	41130-89L00	.SHAFT, CLAMP BRACKET	1	
17	43755-99J00	.ATTACHMENT, STEERING BRACKET	1	
18	43759-89L00	.HOLDER, DRAIN HOSE	1	
19	09204-01002	.PIN	2	
20	09160-08082	.WASHER (8.5X16X1.2)	2	
21	61124-89L20	.GROMMET, R/CON CABLE	1	
22	67340-89L00	.HOLDER, R/CON CABLE	1	
23	67467-89J01	.CONNECTOR	2	
24	09108-08286	.STUD BOLT	2	
25	09116-06225	.BOLT (6X15)	1	
26	09159-08059	.NUT	2	
27	09159-22006	.NUT	1	

FIG.139

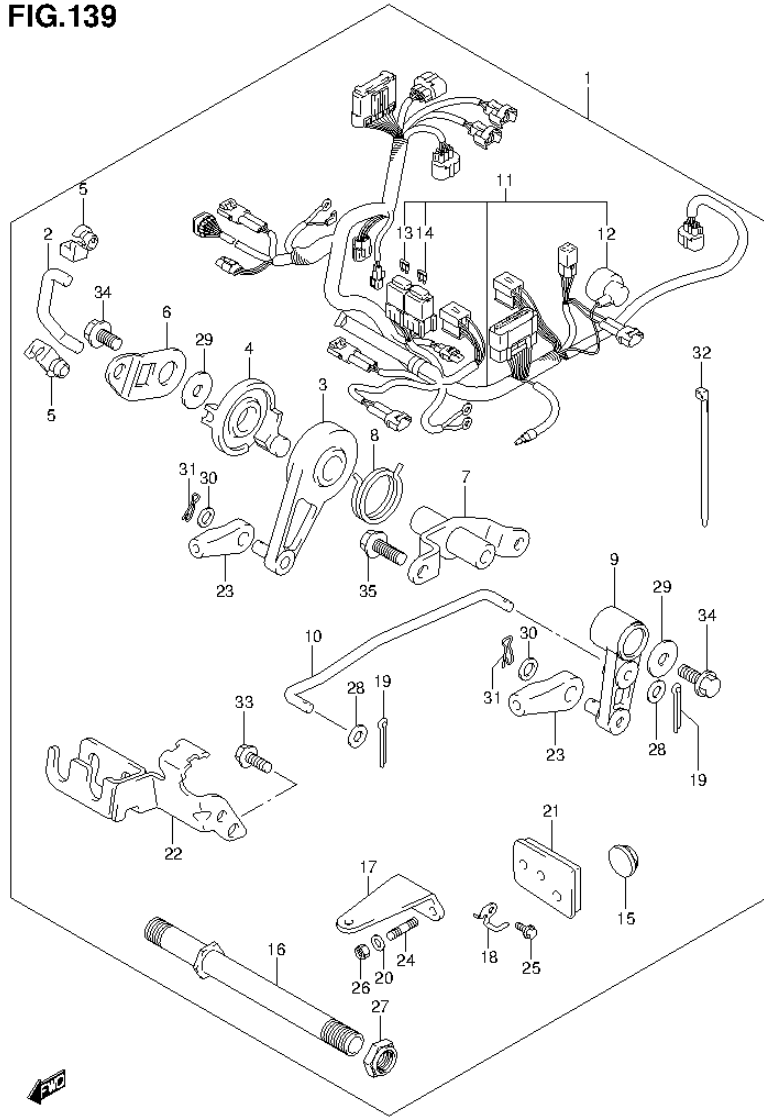


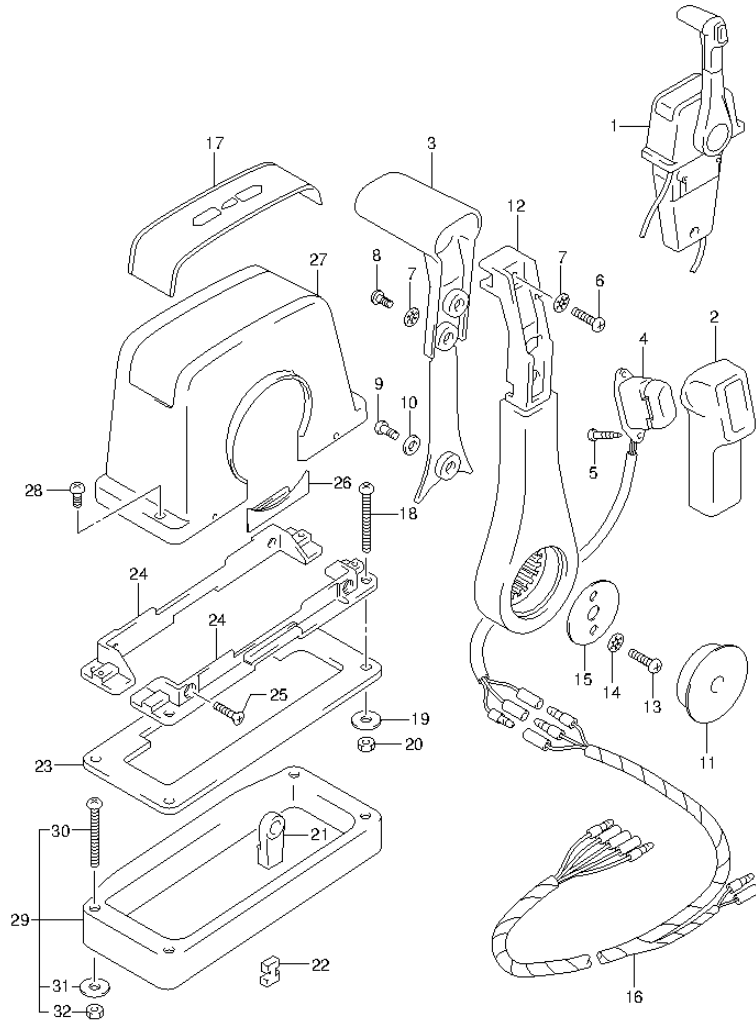
FIG.139 (2-B-13) OPT:REMOTE CONTROL PARTS (DF20A P40)

REF NO.	PART NO.	DESCRIPTION	Q'TY	REMARKS
28	09160-05029	.WASHER (5.5X12X0.8)	2	
29	09160-06046	.WASHER (6.5X20X1.5)	2	
30	09160-06055	.WASHER (7X12X1)	2	
31	09385-06012	.CLIP	2	
32	09407-14407	.CLAMP (L:145)	12	
33	01547-06167	.BOLT	2	
34	01550-06127	.BOLT	2	
35	01550-06167	.BOLT	2	



FIG.140

FIG.140 (2-B-14) OPT:REMOTE CONTROL ASSY SINGLE (1)



REF NO.	PART NO.	DESCRIPTION	Q'TY	REMARKS
1	67200-93J13	REMOTE CONTROL ASSY	1	PUSH
2	67261-93J00	.GRIP, NO.1	1	
3	67263-93J00	.GRIP, NO.2	1	
4	37850-93J10	.SWITCH ASSY, PTT	1	
5	67295-92E10	.SCREW	2	
6	67296-88D10	.SCREW	1	
7	67288-92E20	.WASHER	3	
8	67295-92E00	.SCREW	2	
9	67296-92E70	.SCREW	1	
10	67288-92E40	.WASHER	1	
11	67257-92E00	.CAP, LEVER	1	
12	67251-93J00	.LEVER, HANDLE	1	
13	67296-92E60	.SCREW	2	
14	67288-92E30	.WASHER	2	
15	67253-92E00	.WASHER	1	
16	36890-93J00	.WIRE HARNESS	1	
17	67281-93J00	.DECAL	1	
18	67296-92E30	.SCREW	4	
19	09160-05024	.WASHER (5.5X16X1.5)	4	
20	67287-92E00	.NUT	4	
21	67275-95600	.END, CABLE	2	
22	67273-95600	.SPACER	1	
23	67273-92E00	.GROMMET	1	
24	67274-92E00	.FLANGE	2	
25	67296-95610	.SCREW	4	
26	67271-92E00	.COVER	1	
27	67211-93J00	.COVER	1	
28	67296-92E70	.SCREW	2	
29	67500-93J00	KIT, REMOCON SPACER SINGLE	1	
30	09125-05135	.SCREW (5X65)	4	
31	09160-05029	.WASHER (5.5X12X0.8)	4	
32	09140-05005	.NUT	4	

FIG.141

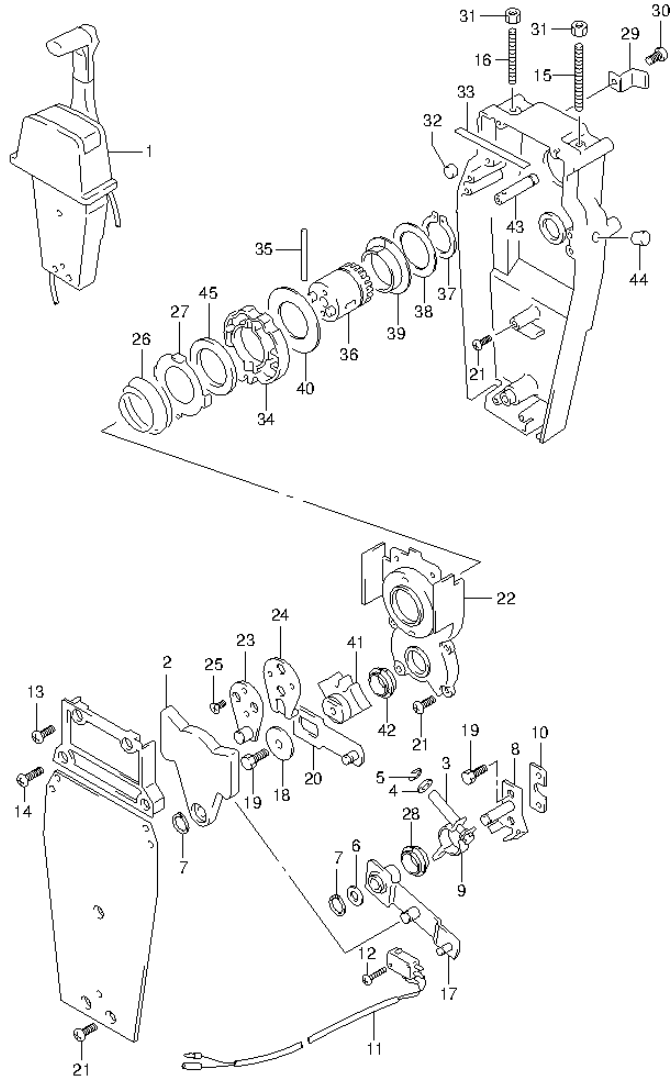


FIG.141 (2-B-15) OPT:REMOTE CONTROL ASSY SINGLE (2)

REF NO.	PART NO.	DESCRIPTION	Q'TY	REMARKS
1	67200-93J13	REMOTE CONTROL ASSY	1	PUSH
2	67222-92E00	.DUAL PLATE	1	
3	67223-92E00	.BRAKE ADJUST	1	
4	67288-92E00	.WASHER	1	
5	67292-94300	.E RING	4	
6	67288-92E10	.WASHER	1	
7	67291-92E00	.SNAP RING	2	
8	67221-92E00	.SHIFT ASSY	1	
9	67224-92E00	.BRAKE ARM ASSY	1	
10	67294-92E00	.SPACER	1	
11	37721-95500	.SWITCH ASSY, N/R	1	
12	67296-92E10	.SCREW (3X15)	2	
13	67296-88D10	.SCREW (5X16)	2	
14	67296-92E20	.SCREW (5X25)	2	
15	67226-92E00	.BOLT, STOPPER FRONT	1	
16	67226-92E10	.BOLT, STOPPER REAR	1	
17	67240-92E00	.ARM ASSY, THROTTLE	1	
18	67228-92E00	.WASHER	1	
19	67286-92E00	.BOLT (6X18)	3	
20	67230-92E00	.SHIFT ARM ASSY	1	
21	09125-05042	.SCREW (5X10)	9	
22	67234-92E00	.CASE, GEAR	1	
23	67245-92E00	.LEVER ASSY, THROTTLE	1	
24	67227-92E00	.STOPPER	1	
25	09126-06006	.SCREW (6X20)	2	
26	67233-92E00	.SPRING	1	
27	67235-92E00	.PLATE, SHIFT LOCK	1	
28	67232-95620	.BUSH	1	
29	67269-92E00	.BRACKET	1	
30	67296-88D10	.SCREW	1	
31	09140-06020	.NUT	2	
32	67236-92E00	.ROLLER	1	
33	67237-92E01	.SPRING	6	
34	67238-92E00	.GEAR, DRIVE	1	

FIG.141

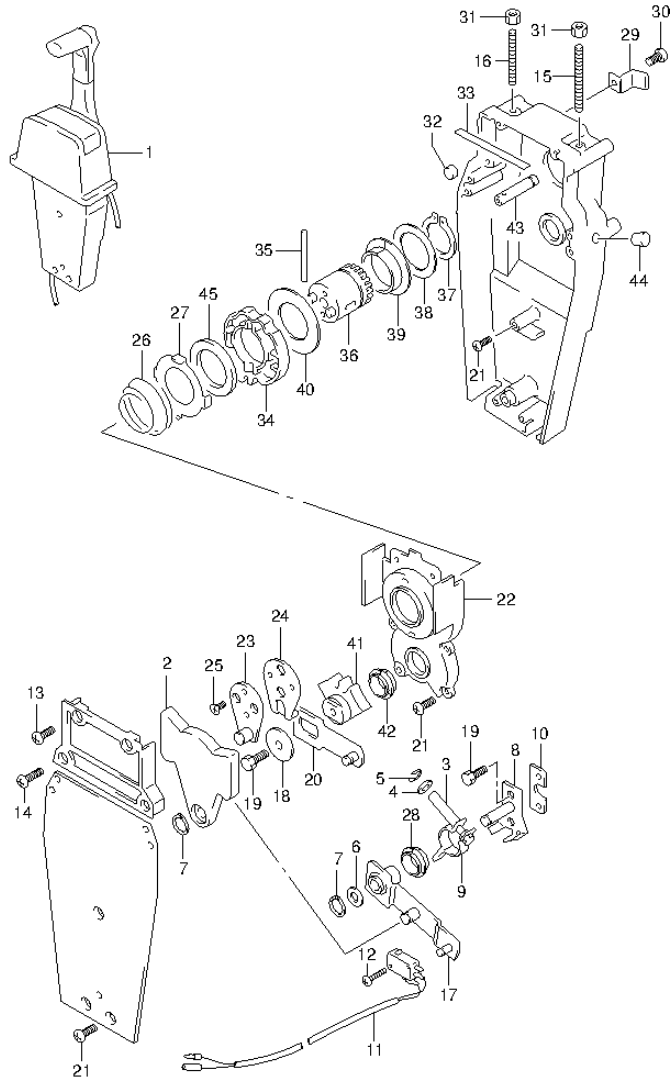


FIG.141 (2-C-2) OPT:REMOTE CONTROL ASSY SINGLE (2)

REF NO.	PART NO.	DESCRIPTION	Q'TY	REMARKS
35	67239-92E00	.PIN	1	
36	67246-92E00	.SHIFT, DRIVE	1	
37	67291-92E10	.SNAP RING	1	
38	67253-92E10	.WASHER	1	
39	67252-92E10	.BUSH	1	
40	67253-95600	.WASHER	1	
41	67231-92E00	.GEAR, SHIFT	1	
42	67232-95600	.BUSH	1	
43	67241-92E10	.ROD, FREE ACC	1	
44	67243-92E00	.CAP, HOLE	1	
45	67239-92E10	.PLATE, SHIFT PIN	1	

FIG.142

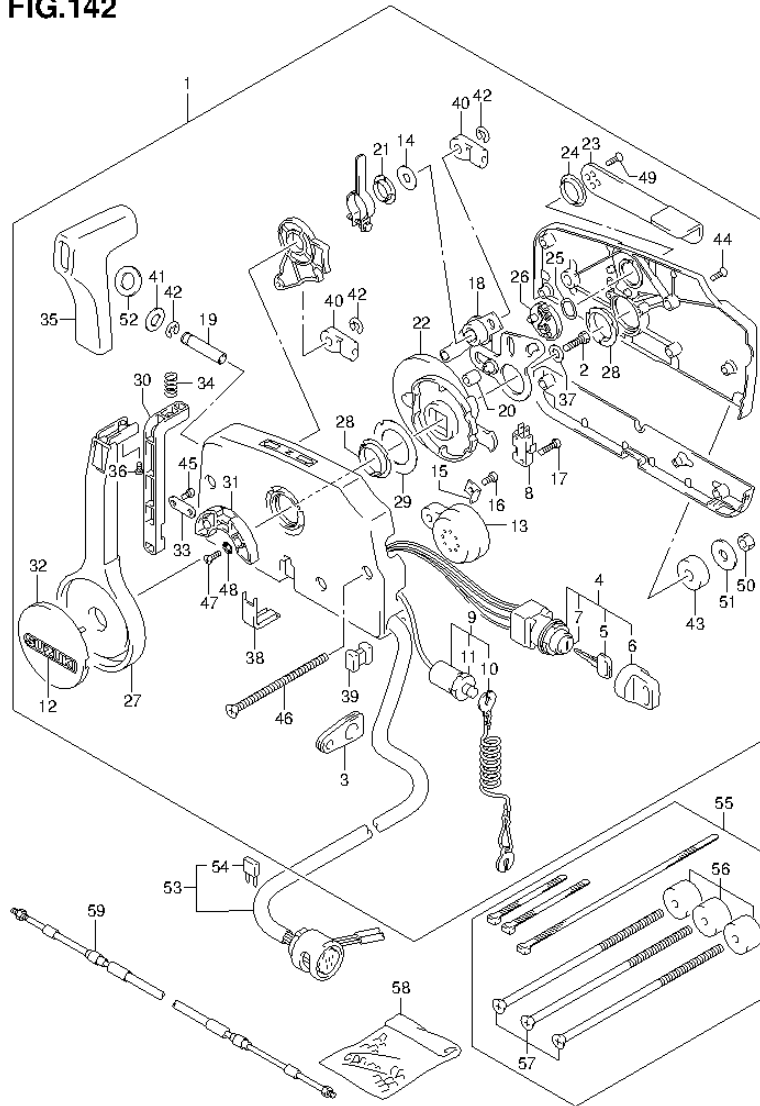


FIG.142 (2-C-3) OPT:REMOTE CONTROL (DF9.9B P01)

REF NO.	PART NO.	DESCRIPTION	Q'TY	REMARKS
1	67200-94J15	REMOTE CONTROL ASSY	1	
2	09100-08232	.BOLT (8X30)	1	
3	36628-92E00	.GROMMET, WIRE HARNESS	1	
4	37110-94J02	.SWITCH ASSY, IGNITION	1	
5-1	37141-99E00	..KEY (931)	2	
5-2	37141-99E10	..KEY (932)	2	
5-3	37141-99E20	..KEY (933)	2	
5-4	37141-99E30	..KEY (934)	2	
5-5	37141-99E40	..KEY (935)	2	
5-6	37141-99E50	..KEY (936)	2	
5-7	37141-99E60	..KEY (937)	2	
5-8	37141-99E70	..KEY (938)	2	
5-9	37141-99E80	..KEY (939)	2	
5-10	37141-99E90	..KEY (940)	2	
5-11	37141-99EA0	..KEY (941)	2	
5-12	37141-99EB0	..KEY (942)	2	
6	37143-99E00	..CAP, KEY	2	
7	37149-93J00	..CAP, CYLINDER BODY	1	
8	37721-93J90	.SWITCH, NEUTRAL	1	
9	37820-93J03	.SWITCH ASSY, EMERGENCY	1	
10	37823-92E01	..PLATE	1	
11	37826-92E00	..NUT	1	
12	68165-16B00-13L	.EMBLEM, SUZUKI (SILVER)	1	
13	38500-93J00	.BUZZER	1	
14	67212-95600	.WASHER	1	
15	67213-92E00	.BRACKET, BUZZER	1	
16	09125-05042	.SCREW (5X10)	1	
17	67296-92E10	.SCREW, NEUTRAL SW	2	
18	67220-95630	.PLATE ASSY	1	
19	67223-99E10	.KNOB, BRAKE ADJUST	1	
20	67229-95600	.ROLLER	1	
21	67232-95600	.BUSH	1	
22	67238-87D00	.GEAR, DRIVE	1	
23	67241-99E10	.LEVER, FREE THROTTLE	1	

FIG.142

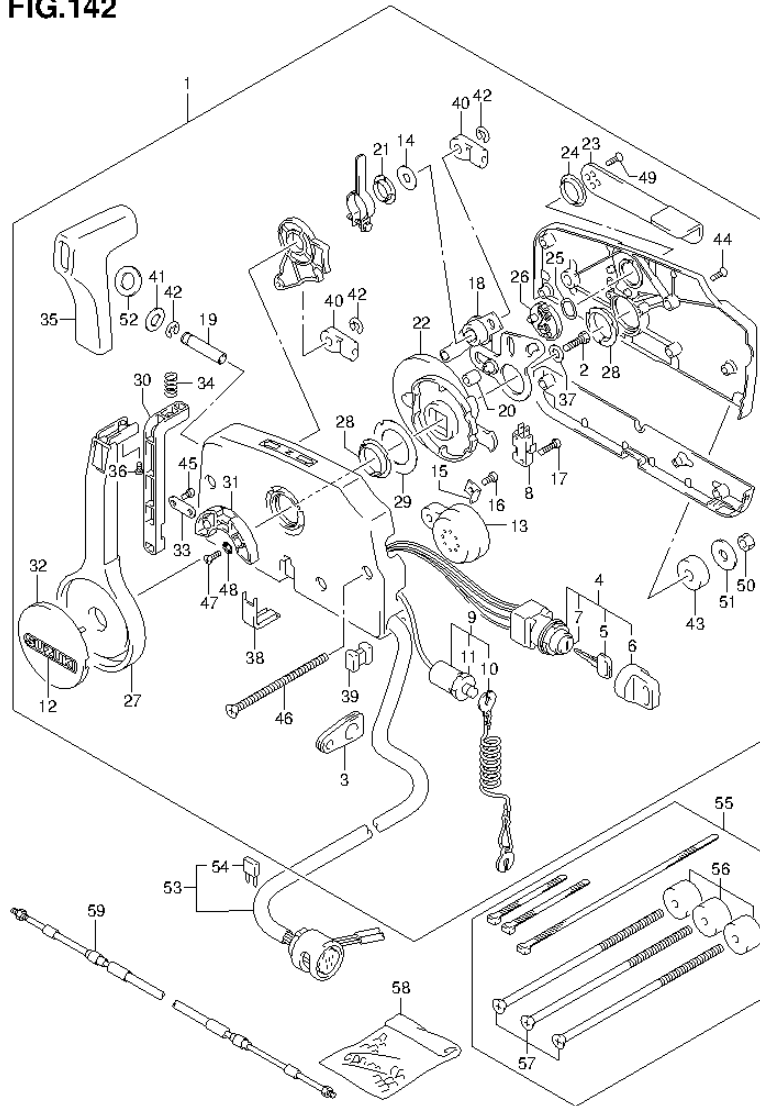


FIG.142 (2-C-4) OPT:REMOTE CONTROL (DF9.9B P01)

REF NO.	PART NO.	DESCRIPTION	Q'TY	REMARKS
24	67243-95600	.BUSH	1	
25	67244-95600	.WASHER, WAVE	1	
26	67245-95600	.DRUM, FREE THROTTLE	1	
27	67251-99E10	.LEVER, HANDLE	1	
28	67252-95600	.BUSH	2	
29	67253-95600	.WASHER	1	
30	67255-99E00	.ARM, LOCK	1	
31	67256-95600	.HOLDER, NEUT LOCK	1	
32	67257-99E00	.CAP, LEVER	1	
33	67258-99E00	.BRACKET, LOCK ARM	1	
34	67259-87D00	.SPRING, NEUTRAL ARM	1	
35	67261-99E00	.GRIP	1	
36	67296-94310	.SCREW	1	
37	67264-95600	.WASHER	1	
38	67267-93J00	.COVER, WIRE	1	
39	67273-95600	.SPACER	1	
40	67275-95600	.END, CABLE	2	
41	67288-92E00	.WASHER, BRAKE ADJ KNOB	1	
42	67292-94300	.E RING	3	
43	67294-95600	.SPACER	3	
44	67296-90J00	.SCREW	5	
45	67296-94300	.SCREW	2	
46	67296-95600	.SCREW	3	
47	67296-95610	.SCREW	2	
48	67297-95600	.WASHER	2	
49	09126-05003	.SCREW (5X12)	2	
50	09140-06020	.NUT	3	
51	09160-06104	.WASHER (6.5X24X2)	3	
52	37859-90J00	.SPACER	1	
53	36620-94J01	WIRE ASSY, REMOTE CONTROL	1	
54	09481-10501	.FUSE (10A)	1	
55	67140-95600	ATTACHMENT, TWIN REMOCON KIT	1	
56	67294-95600	.SPACER	3	
57	67296-95620	.SCREW (L:165)	3	

FIG.142

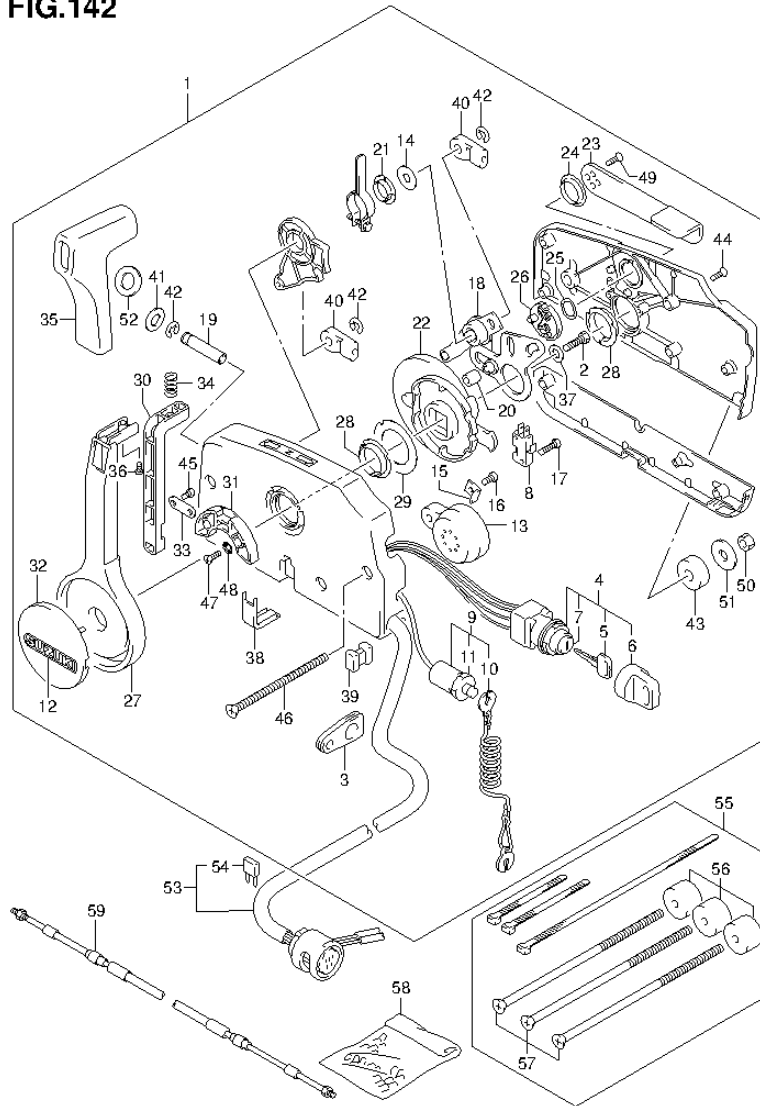


FIG.142 (2-C-5) OPT:REMOTE CONTROL (DF9.9B P01)

REF NO.	PART NO.	DESCRIPTION	Q'TY	REMARKS
58	36990-87D00	TERMINAL & SLEEVE SET	1	
59-1	67320-93J00	CABLE, REMOCON 8F (2.4M)	1	
59-2	67320-93J10	CABLE, REMOCON 10F (3.1M)	1	
59-3	67320-93J20	CABLE, REMOCON 12F (3.7M)	1	
59-4	67320-93J30	CABLE, REMOCON 14F (4.2M)	1	
59-5	67320-93J40	CABLE, REMOCON 16F (4.8M)	1	
59-6	67320-93J50	CABLE, REMOCON 18F (5.4M)	1	
59-7	67320-93J60	CABLE, REMOCON 20F (6.1M)	1	
59-8	67320-93J70	CABLE, REMOCON 22F (6.7M)	1	
59-9	67320-93J80	CABLE, REMOCON 24F (7.3M)	1	

FIG.143

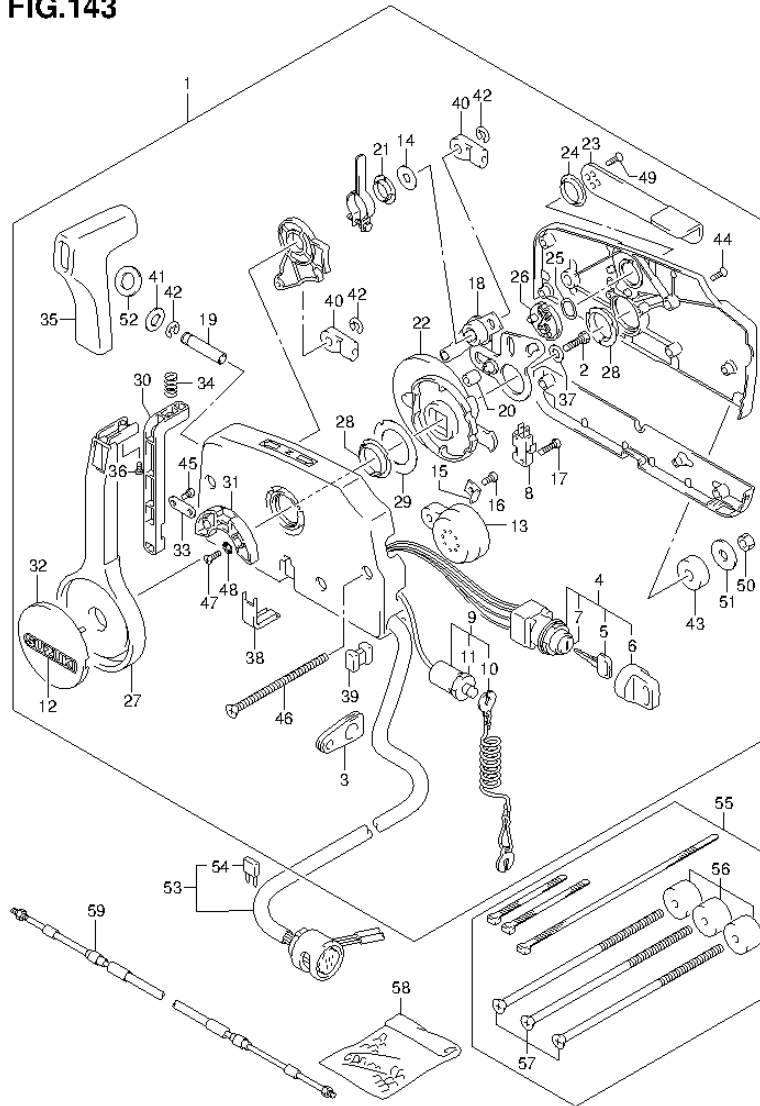
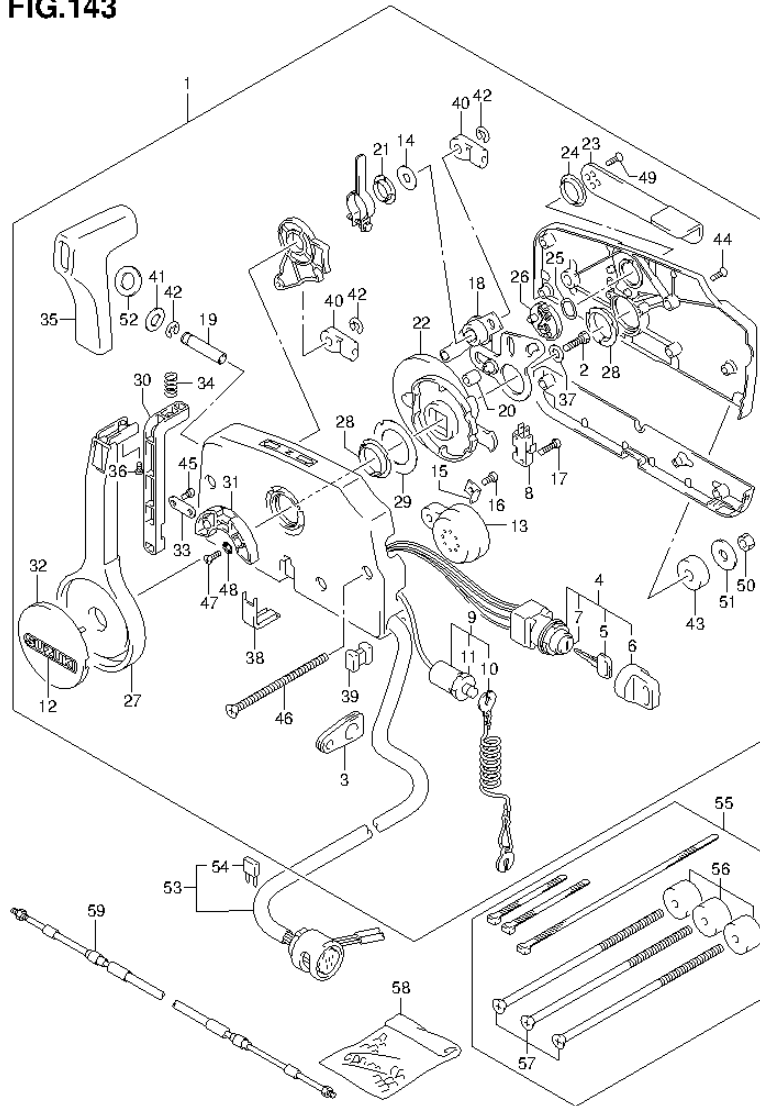


FIG.143 (2-C-6) OPT:REMOTE CONTROL (DF9.9BR P01)

REF NO.	PART NO.	DESCRIPTION	Q'TY	REMARKS
1	67200-94J15	REMOTE CONTROL ASSY	1	
2	09100-08232	.BOLT (8X30)	1	
3	36628-92E00	.GROMMET, WIRE HARNESS	1	
4	37110-94J02	.SWITCH ASSY, IGNITION	1	
5-1	37141-99E00	..KEY (931)	2	
5-2	37141-99E10	..KEY (932)	2	
5-3	37141-99E20	..KEY (933)	2	
5-4	37141-99E30	..KEY (934)	2	
5-5	37141-99E40	..KEY (935)	2	
5-6	37141-99E50	..KEY (936)	2	
5-7	37141-99E60	..KEY (937)	2	
5-8	37141-99E70	..KEY (938)	2	
5-9	37141-99E80	..KEY (939)	2	
5-10	37141-99E90	..KEY (940)	2	
5-11	37141-99EA0	..KEY (941)	2	
5-12	37141-99EB0	..KEY (942)	2	
6	37143-99E00	..CAP, KEY	2	
7	37149-93J00	..CAP, CYLINDER BODY	1	
8	37721-93J90	.SWITCH, NEUTRAL	1	
9	37820-93J03	.SWITCH ASSY, EMERGENCY	1	
10	37823-92E01	..PLATE	1	
11	37826-92E00	..NUT	1	
12	68165-16B00-13L	.EMBLEM, SUZUKI (SILVER)	1	
13	38500-93J00	.BUZZER	1	
14	67212-95600	.WASHER	1	
15	67213-92E00	.BRACKET, BUZZER	1	
16	09125-05042	.SCREW (5X10)	1	
17	67296-92E10	.SCREW, NEUTRAL SW	2	
18	67220-95630	.PLATE ASSY	1	
19	67223-99E10	.KNOB, BRAKE ADJUST	1	
20	67229-95600	.ROLLER	1	
21	67232-95600	.BUSH	1	
22	67238-87D00	.GEAR, DRIVE	1	
23	67241-99E10	.LEVER, FREE THROTTLE	1	

FIG.143



DF20A_P01_013_143
OPT:REMOTE CONTROL

FIG.143 (2-C-7) OPT:REMOTE CONTROL (DF9.9BR P01)

REF NO.	PART NO.	DESCRIPTION	Q'TY	REMARKS
24	67243-95600	.BUSH	1	
25	67244-95600	.WASHER, WAVE	1	
26	67245-95600	.DRUM, FREE THROTTLE	1	
27	67251-99E10	.LEVER, HANDLE	1	
28	67252-95600	.BUSH	2	
29	67253-95600	.WASHER	1	
30	67255-99E00	.ARM, LOCK	1	
31	67256-95600	.HOLDER, NEUT LOCK	1	
32	67257-99E00	.CAP, LEVER	1	
33	67258-99E00	.BRACKET, LOCK ARM	1	
34	67259-87D00	.SPRING, NEUTRAL ARM	1	
35	67261-99E00	.GRIP	1	
36	67296-94310	.SCREW	1	
37	67264-95600	.WASHER	1	
38	67267-93J00	.COVER, WIRE	1	
39	67273-95600	.SPACER	1	
40	67275-95600	.END, CABLE	2	
41	67288-92E00	.WASHER, BRAKE ADJ KNOB	1	
42	67292-94300	E RING	3	
43	67294-95600	.SPACER	3	
44	67296-90J00	.SCREW	5	
45	67296-94300	.SCREW	2	
46	67296-95600	.SCREW	3	
47	67296-95610	.SCREW	2	
48	67297-95600	.WASHER	2	
49	09126-05003	.SCREW (5X12)	2	
50	09140-06020	.NUT	3	
51	09160-06104	.WASHER (6.5X24X2)	3	
52	37859-90J00	.SPACER	1	
53	36620-94J01	WIRE ASSY, REMOTE CONTROL	1	
54	09481-10501	.FUSE (10A)	1	
55	67140-95600	ATTACHMENT, TWIN REMOCON KIT	1	
56	67294-95600	.SPACER	3	
57	67296-95620	.SCREW (L:165)	3	

DF20A_P01_013

FIG.143

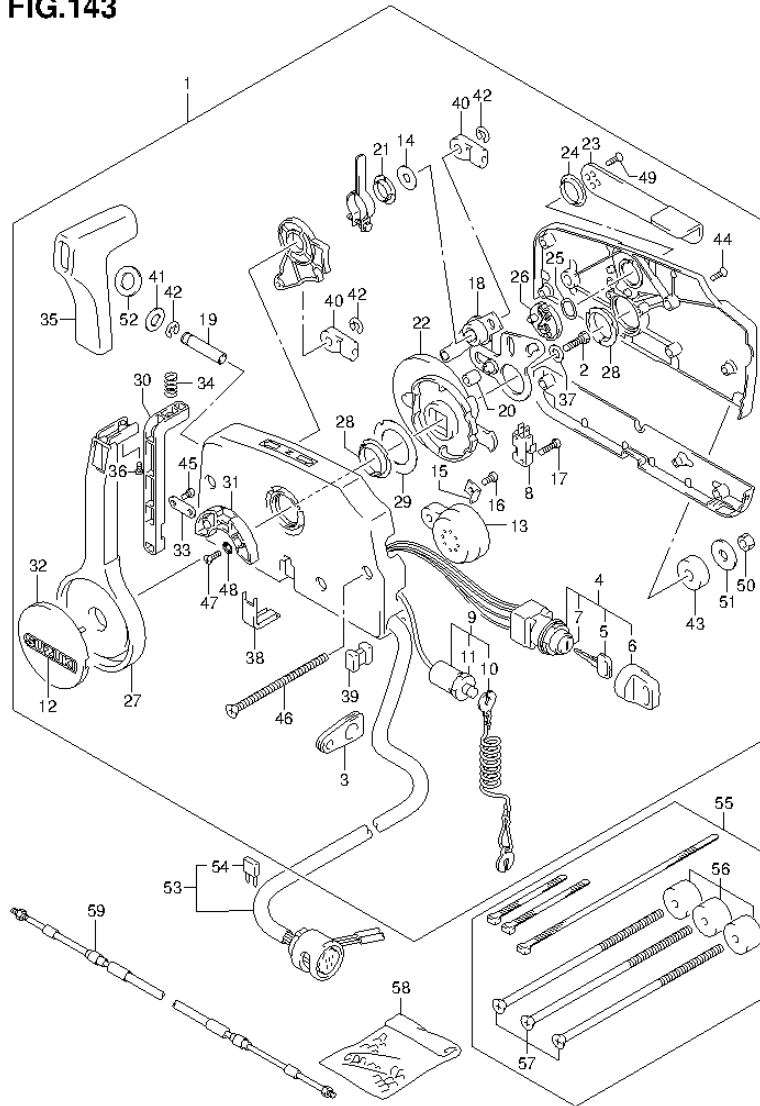


FIG.143 (2-C-8) OPT:REMOTE CONTROL (DF9.9BR P01)

REF NO.	PART NO.	DESCRIPTION	Q'TY	REMARKS
58	36990-87D00	TERMINAL & SLEEVE SET	1	
59-1	67320-93J00	CABLE, REMOCON 8F (2.4M)	1	
59-2	67320-93J10	CABLE, REMOCON 10F (3.1M)	1	
59-3	67320-93J20	CABLE, REMOCON 12F (3.7M)	1	
59-4	67320-93J30	CABLE, REMOCON 14F (4.2M)	1	
59-5	67320-93J40	CABLE, REMOCON 16F (4.8M)	1	
59-6	67320-93J50	CABLE, REMOCON 18F (5.4M)	1	
59-7	67320-93J60	CABLE, REMOCON 20F (6.1M)	1	
59-8	67320-93J70	CABLE, REMOCON 22F (6.7M)	1	
59-9	67320-93J80	CABLE, REMOCON 24F (7.3M)	1	

FIG.144

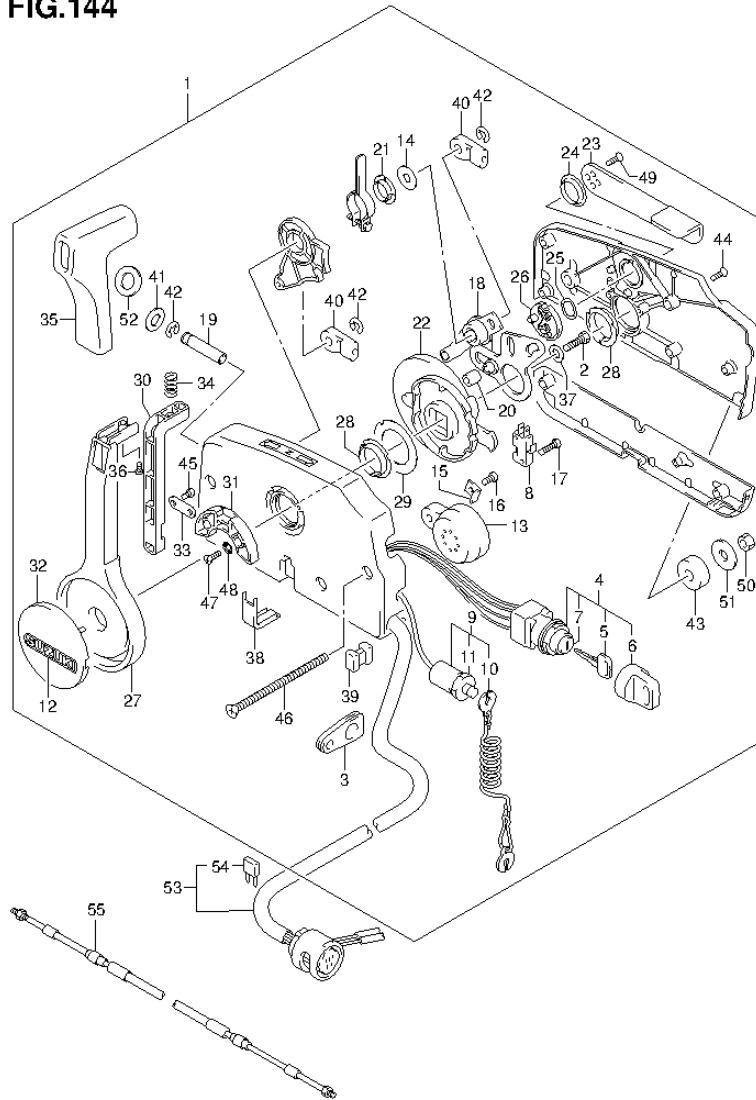


FIG.144 (2-C-9) OPT:REMOTE CONTROL (DF15A P01)

REF NO.	PART NO.	DESCRIPTION	Q'TY	REMARKS
1	67200-94J15	REMOTE CONTROL ASSY	1	
2	09100-08232	.BOLT (8X30)	1	
3	36628-92E00	.GROMMET, WIRE HARNESS	1	
4	37110-94J02	.SWITCH ASSY, IGNITION	1	
5-1	37141-99E00	..KEY (931)	2	
5-2	37141-99E10	..KEY (932)	2	
5-3	37141-99E20	..KEY (933)	2	
5-4	37141-99E30	..KEY (934)	2	
5-5	37141-99E40	..KEY (935)	2	
5-6	37141-99E50	..KEY (936)	2	
5-7	37141-99E60	..KEY (937)	2	
5-8	37141-99E70	..KEY (938)	2	
5-9	37141-99E80	..KEY (939)	2	
5-10	37141-99E90	..KEY (940)	2	
5-11	37141-99EA0	..KEY (941)	2	
5-12	37141-99EB0	..KEY (942)	2	
6	37143-99E00	..CAP, KEY	2	
7	37149-93J00	..CAP, CYLINDER BODY	1	
8	37721-93J90	.SWITCH, NEUTRAL	1	
9	37820-93J03	.SWITCH ASSY, EMERGENCY	1	
10	37823-92E01	..PLATE	1	
11	37826-92E00	..NUT	1	
12	68165-16B00-13L	.EMBLEM, SUZUKI (SILVER)	1	
13	38500-93J00	.BUZZER	1	
14	67212-95600	.WASHER	1	
15	67213-92E00	.BRACKET, BUZZER	1	
16	09125-05042	.SCREW (5X10)	1	
17	67296-92E10	.SCREW, NEUTRAL SW	2	
18	67220-95630	.PLATE ASSY	1	
19	67223-99E10	.KNOB, BRAKE ADJ	1	
20	67229-95600	.ROLLER	1	
21	67232-95600	.BUSH	1	
22	67238-87D00	.GEAR, DRIVE	1	
23	67241-99E10	.LEVER, FREE THROTTLE	1	

FIG.144

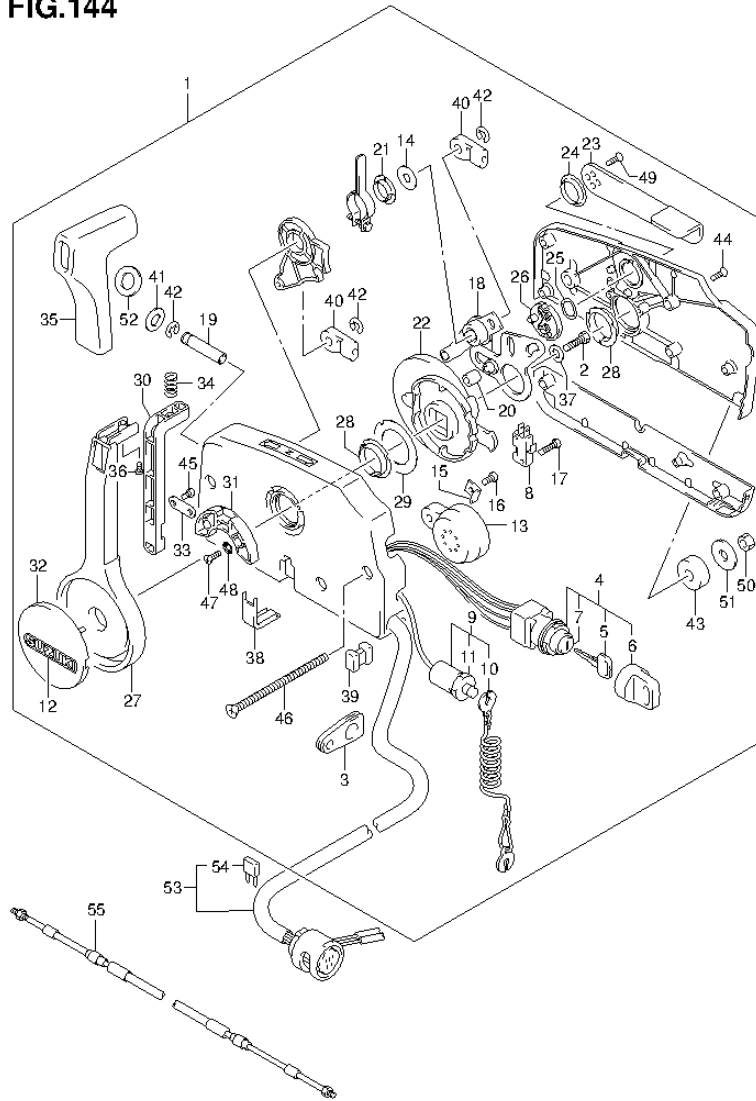


FIG.144 (2-C-10) OPT:REMOTE CONTROL (DF15A P01)

REF NO.	PART NO.	DESCRIPTION	Q'TY	REMARKS
24	67243-95600	.BUSH	1	
25	67244-95600	.WASHER, WAVE	1	
26	67245-95600	.DRUM, FREE THROTTLE	1	
27	67251-99E10	.LEVER, HANDLE	1	
28	67252-95600	.BUSH	2	
29	67253-95600	.WASHER	1	
30	67255-99E00	.ARM, LOCK	1	
31	67256-95600	.HOLDER, NEUT LOCK	1	
32	67257-99E00	.CAP, LEVER	1	
33	67258-99E00	.BRACKET, LOCK ARM	1	
34	67259-87D00	.SPRING, NEUTRAL ARM	1	
35	67261-99E00	.GRIP	1	
36	67296-94310	.SCREW	1	
37	67264-95600	.WASHER	1	
38	67267-93J00	.COVER, WIRE	1	
39	67273-95600	.SPACER	1	
40	67275-95600	.END, CABLE	2	
41	67288-92E00	.WASHER, BRAKE ADJ KNOB	1	
42	67292-94300	.E RING	3	
43	67294-95600	.SPACER	3	
44	67296-90J00	.SCREW	5	
45	67296-94300	.SCREW	2	
46	67296-95600	.SCREW	3	
47	67296-95610	.SCREW	2	
48	67297-95600	.WASHER	2	
49	09126-05003	.SCREW (5X12)	2	
50	09140-06020	.NUT	3	
51	09160-06104	.WASHER (6.5X24X2)	3	
52	37859-90J00	.SPACER	1	
53	36620-94J01	WIRE ASSY, REMOTE CONTROL	1	
54	09481-10501	.FUSE (10A)	1	

FIG.144

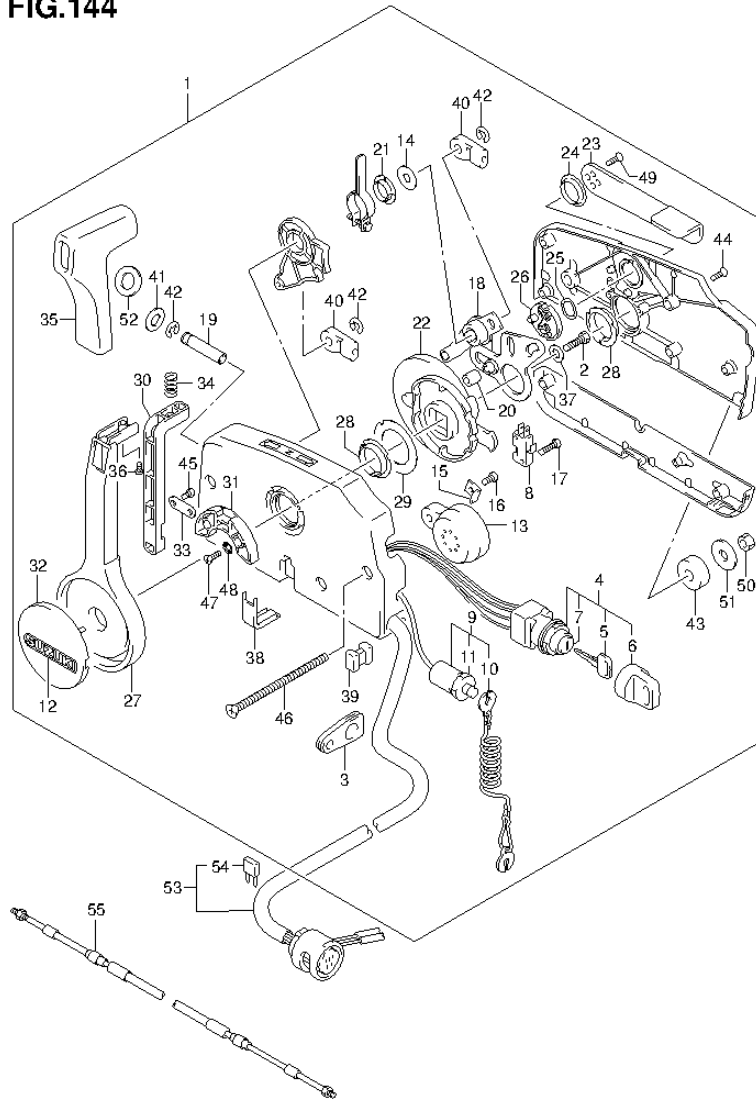


FIG.144 (2-C-11) OPT:REMOTE CONTROL (DF15A P01)

REF NO.	PART NO.	DESCRIPTION	Q'TY	REMARKS
55-1	67320-93J00	CABLE, REMOCON 8F (2.4M)	1	
55-2	67320-93J10	CABLE, REMOCON 10F (3.1M)	1	
55-3	67320-93J20	CABLE, REMOCON 12F (3.7M)	1	
55-4	67320-93J30	CABLE, REMOCON 14F (4.2M)	1	
55-5	67320-93J40	CABLE, REMOCON 16F (4.8M)	1	
55-6	67320-93J50	CABLE, REMOCON 18F (5.4M)	1	
55-7	67320-93J60	CABLE, REMOCON 20F (6.1M)	1	
55-8	67320-93J70	CABLE, REMOCON 22F (6.7M)	1	
55-9	67320-93J80	CABLE, REMOCON 24F (7.3M)	1	

FIG.145

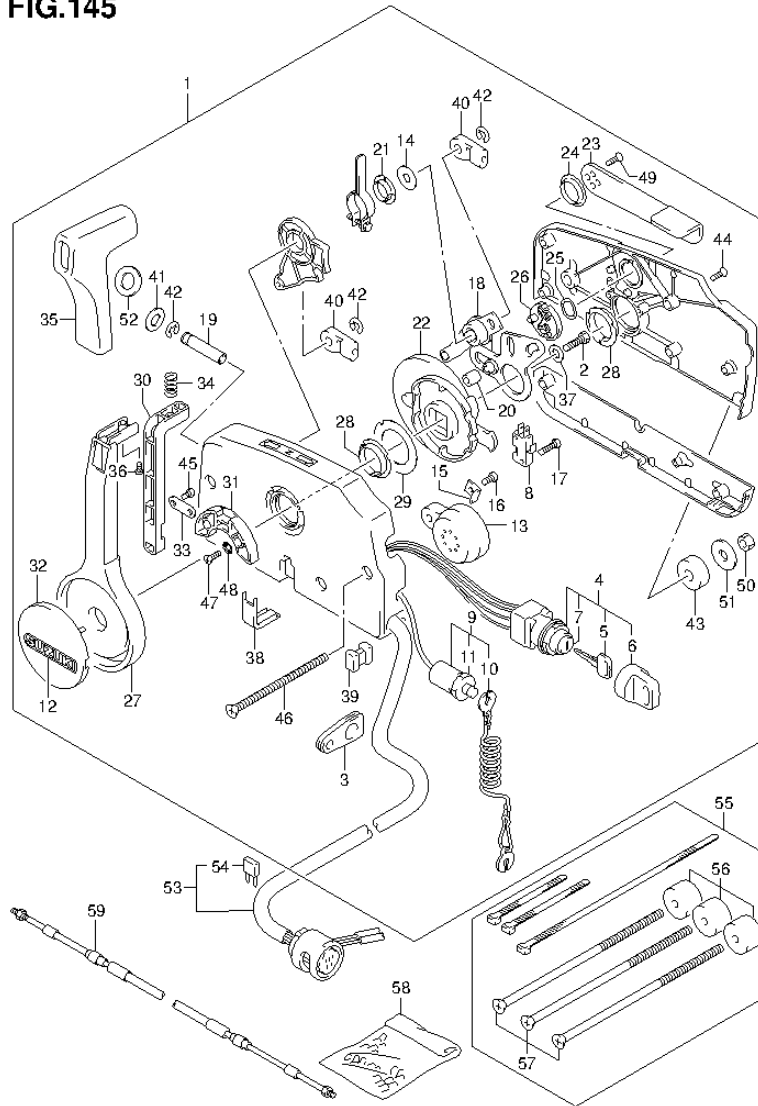


FIG.145 (2-C-12) OPT:REMOTE CONTROL (DF15AR P01)

REF NO.	PART NO.	DESCRIPTION	Q'TY	REMARKS
1	67200-94J15	REMOTE CONTROL ASSY	1	
2	09100-08232	.BOLT (8X30)	1	
3	36628-92E00	.GROMMET, WIRE HARNESS	1	
4	37110-94J02	.SWITCH ASSY, IGNITION	1	
5-1	37141-99E00	..KEY (931)	2	
5-2	37141-99E10	..KEY (932)	2	
5-3	37141-99E20	..KEY (933)	2	
5-4	37141-99E30	..KEY (934)	2	
5-5	37141-99E40	..KEY (935)	2	
5-6	37141-99E50	..KEY (936)	2	
5-7	37141-99E60	..KEY (937)	2	
5-8	37141-99E70	..KEY (938)	2	
5-9	37141-99E80	..KEY (939)	2	
5-10	37141-99E90	..KEY (940)	2	
5-11	37141-99EA0	..KEY (941)	2	
5-12	37141-99EB0	..KEY (942)	2	
6	37143-99E00	..CAP, KEY	2	
7	37149-93J00	..CAP, CYLINDER BODY	1	
8	37721-93J90	.SWITCH, NEUTRAL	1	
9	37820-93J03	.SWITCH ASSY, EMERGENCY	1	
10	37823-92E01	..PLATE	1	
11	37826-92E00	..NUT	1	
12	68165-16B00-13L	.EMBLEM, SUZUKI (SILVER)	1	
13	38500-93J00	.BUZZER	1	
14	67212-95600	.WASHER	1	
15	67213-92E00	.BRACKET, BUZZER	1	
16	09125-05042	.SCREW (5X10)	1	
17	67296-92E10	.SCREW, NEUTRAL SW	2	
18	67220-95630	.PLATE ASSY	1	
19	67223-99E10	.KNOB, BRAKE ADJUST	1	
20	67229-95600	.ROLLER	1	
21	67232-95600	.BUSH	1	
22	67238-87D00	.GEAR, DRIVE	1	
23	67241-99E10	.LEVER, FREE THROTTLE	1	

FIG.145

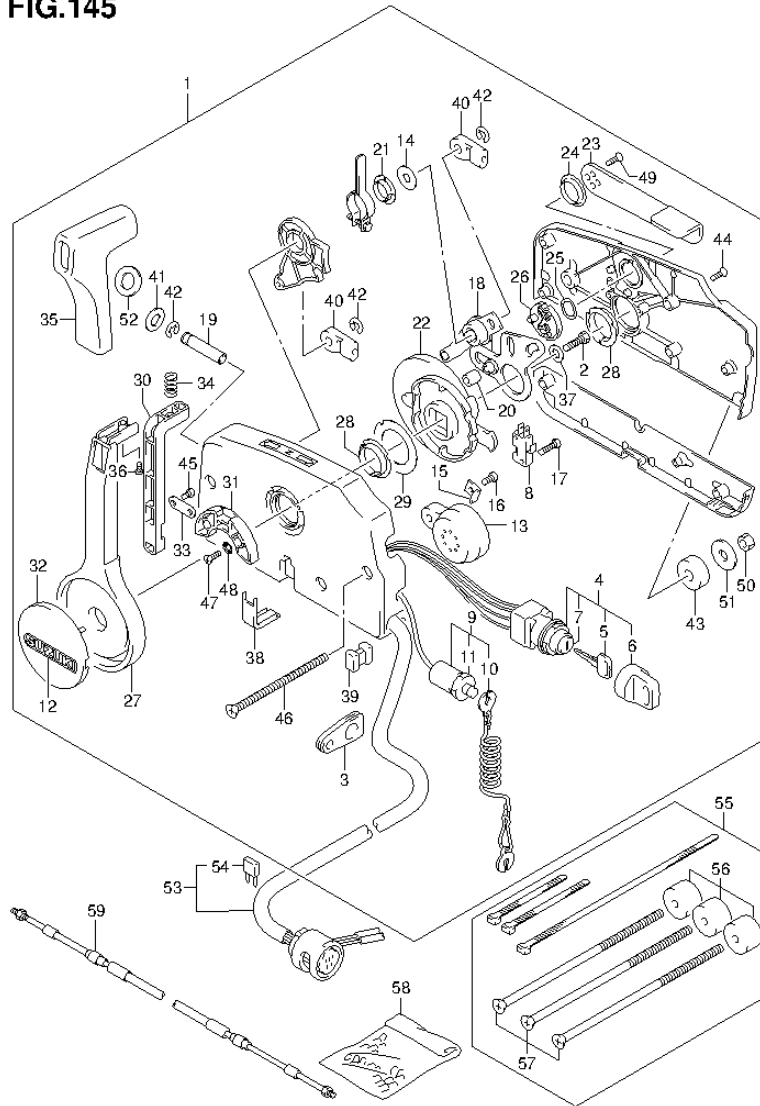
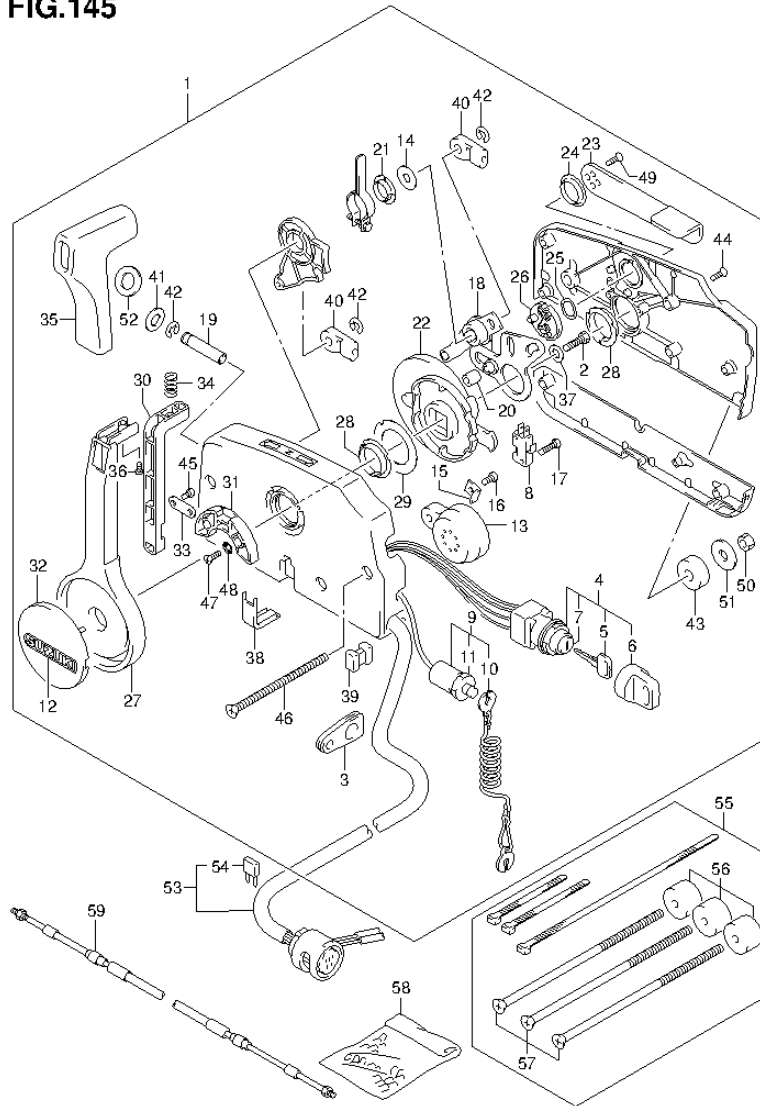


FIG.145 (2-C-13) OPT:REMOTE CONTROL (DF15AR P01)

REF NO.	PART NO.	DESCRIPTION	Q'TY	REMARKS
24	67243-95600	.BUSH	1	
25	67244-95600	.WASHER, WAVE	1	
26	67245-95600	.DRUM, FREE THROTTLE	1	
27	67251-99E10	.LEVER, HANDLE	1	
28	67252-95600	.BUSH	2	
29	67253-95600	.WASHER	1	
30	67255-99E00	.ARM, LOCK	1	
31	67256-95600	.HOLDER, NEUT LOCK	1	
32	67257-99E00	.CAP, LEVER	1	
33	67258-99E00	.BRACKET, LOCK ARM	1	
34	67259-87D00	.SPRING, NEUTRAL ARM	1	
35	67261-99E00	.GRIP	1	
36	67296-94310	.SCREW	1	
37	67264-95600	.WASHER	1	
38	67267-93J00	.COVER, WIRE	1	
39	67273-95600	.SPACER	1	
40	67275-95600	.END, CABLE	2	
41	67288-92E00	.WASHER, BRAKE ADJ KNOB	1	
42	67292-94300	.E RING	3	
43	67294-95600	.SPACER	3	
44	67296-90J00	.SCREW	5	
45	67296-94300	.SCREW	2	
46	67296-95600	.SCREW	3	
47	67296-95610	.SCREW	2	
48	67297-95600	.WASHER	2	
49	09126-05003	.SCREW (5X12)	2	
50	09140-06020	.NUT	3	
51	09160-06104	.WASHER (6.5X24X2)	3	
52	37859-90J00	.SPACER	1	
53	36620-94J01	.WIRE ASSY, REMOTE CONTROL	1	
54	09481-10501	.FUSE (10A)	1	
55	67140-95600	.ATTACHMENT, TWIN REMOCON KIT	1	
56	67294-95600	.SPACER	3	
57	67296-95620	.SCREW (L:165)	3	

FIG.145



DF20A_P01_013_145
OPT:REMOTE CONTROL

FIG.145 (2-C-14) OPT:REMOTE CONTROL (DF15AR P01)

REF NO.	PART NO.	DESCRIPTION	Q'TY	REMARKS
58	36990-87D00	TERMINAL & SLEEVE SET	1	
59-1	67320-93J00	CABLE, REMOCON 8F (2.4M)	1	
59-2	67320-93J10	CABLE, REMOCON 10F (3.1M)	1	
59-3	67320-93J20	CABLE, REMOCON 12F (3.7M)	1	
59-4	67320-93J30	CABLE, REMOCON 14F (4.2M)	1	
59-5	67320-93J40	CABLE, REMOCON 16F (4.8M)	1	
59-6	67320-93J50	CABLE, REMOCON 18F (5.4M)	1	
59-7	67320-93J60	CABLE, REMOCON 20F (6.1M)	1	
59-8	67320-93J70	CABLE, REMOCON 22F (6.7M)	1	
59-9	67320-93J80	CABLE, REMOCON 24F (7.3M)	1	

DF20A_P01_013

FIG.146

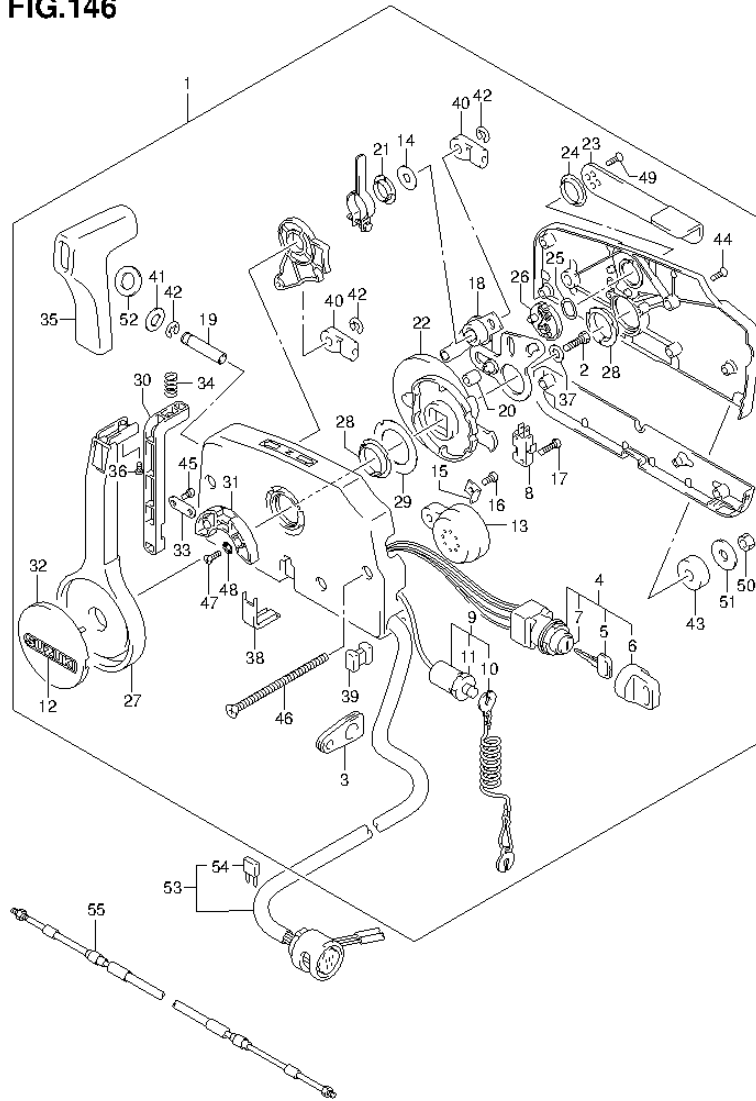


FIG.146 (2-C-15) OPT:REMOTE CONTROL (DF20A P01)

REF NO.	PART NO.	DESCRIPTION	Q'TY	REMARKS
1	67200-94J15	REMOTE CONTROL ASSY	1	
2	09100-08232	.BOLT (8X30)	1	
3	36628-92E00	.GROMMET, WIRE HARNESS	1	
4	37110-94J02	.SWITCH ASSY, IGNITION	1	
5-1	37141-99E00	..KEY (931)	2	
5-2	37141-99E10	..KEY (932)	2	
5-3	37141-99E20	..KEY (933)	2	
5-4	37141-99E30	..KEY (934)	2	
5-5	37141-99E40	..KEY (935)	2	
5-6	37141-99E50	..KEY (936)	2	
5-7	37141-99E60	..KEY (937)	2	
5-8	37141-99E70	..KEY (938)	2	
5-9	37141-99E80	..KEY (939)	2	
5-10	37141-99E90	..KEY (940)	2	
5-11	37141-99EA0	..KEY (941)	2	
5-12	37141-99EB0	..KEY (942)	2	
6	37143-99E00	..CAP, KEY	2	
7	37149-93J00	..CAP, CYLINDER BODY	1	
8	37721-93J90	.SWITCH, NEUTRAL	1	
9	37820-93J03	.SWITCH ASSY, EMERGENCY	1	
10	37823-92E01	..PLATE	1	
11	37826-92E00	..NUT	1	
12	68165-16B00-13L	.EMBLEM, SUZUKI (SILVER)	1	
13	38500-93J00	.BUZZER	1	
14	67212-95600	.WASHER	1	
15	67213-92E00	.BRACKET, BUZZER	1	
16	09125-05042	.SCREW (5X10)	1	
17	67296-92E10	.SCREW, NEUTRAL SW	2	
18	67220-95630	.PLATE ASSY	1	
19	67223-99E10	.KNOB, BRAKE ADJ	1	
20	67229-95600	.ROLLER	1	
21	67232-95600	.BUSH	1	
22	67238-87D00	.GEAR, DRIVE	1	
23	67241-99E10	.LEVER, FREE THROTTLE	1	

FIG.146

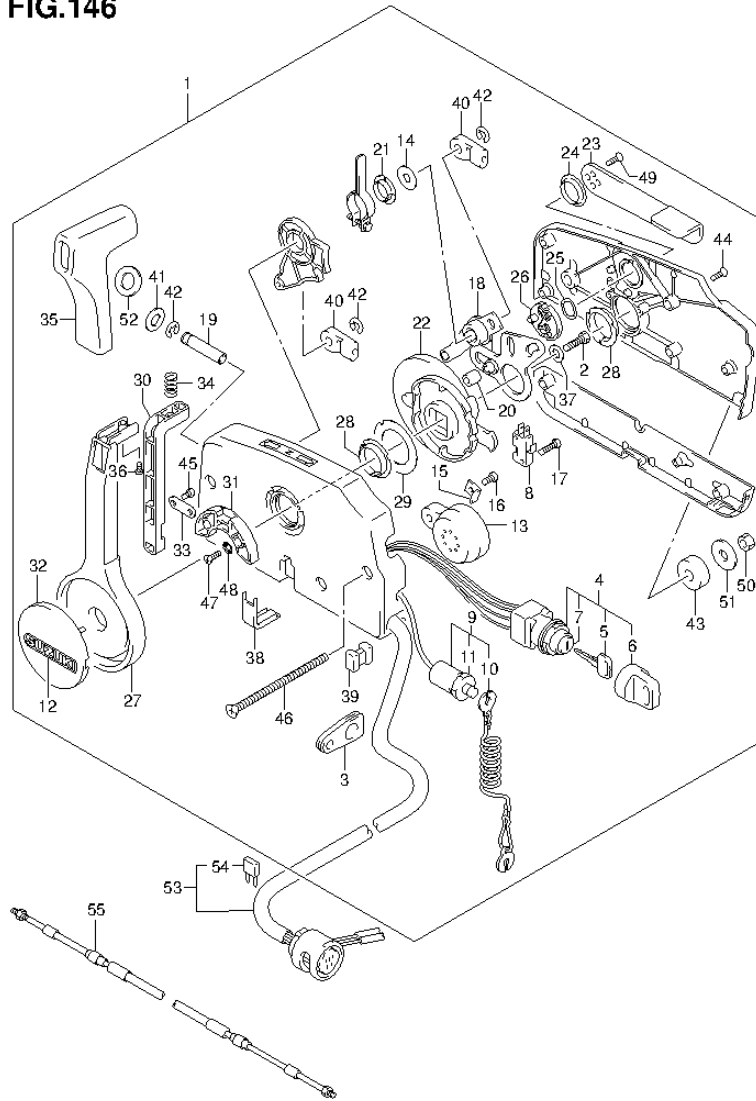


FIG.146 (2-D-2) OPT:REMOTE CONTROL (DF20A P01)

REF NO.	PART NO.	DESCRIPTION	Q'TY	REMARKS
24	67243-95600	.BUSH	1	
25	67244-95600	.WASHER, WAVE	1	
26	67245-95600	.DRUM, FREE THROTTLE	1	
27	67251-99E10	.LEVER, HANDLE	1	
28	67252-95600	.BUSH	2	
29	67253-95600	.WASHER	1	
30	67255-99E00	.ARM, LOCK	1	
31	67256-95600	.HOLDER, NEUT LOCK	1	
32	67257-99E00	.CAP, LEVER	1	
33	67258-99E00	.BRACKET, LOCK ARM	1	
34	67259-87D00	.SPRING, NEUTRAL ARM	1	
35	67261-99E00	.GRIP	1	
36	67296-94310	.SCREW	1	
37	67264-95600	.WASHER	1	
38	67267-93J00	.COVER, WIRE	1	
39	67273-95600	.SPACER	1	
40	67275-95600	.END, CABLE	2	
41	67288-92E00	.WASHER, BRAKE ADJ KNOB	1	
42	67292-94300	.E RING	3	
43	67294-95600	.SPACER	3	
44	67296-90J00	.SCREW	5	
45	67296-94300	.SCREW	2	
46	67296-95600	.SCREW	3	
47	67296-95610	.SCREW	2	
48	67297-95600	.WASHER	2	
49	09126-05003	.SCREW (5X12)	2	
50	09140-06020	.NUT	3	
51	09160-06104	.WASHER (6.5X24X2)	3	
52	37859-90J00	.SPACER	1	
53	36620-94J01	.WIRE ASSY, REMOTE CONTROL	1	
54	09481-10501	.FUSE (10A)	1	

FIG.146

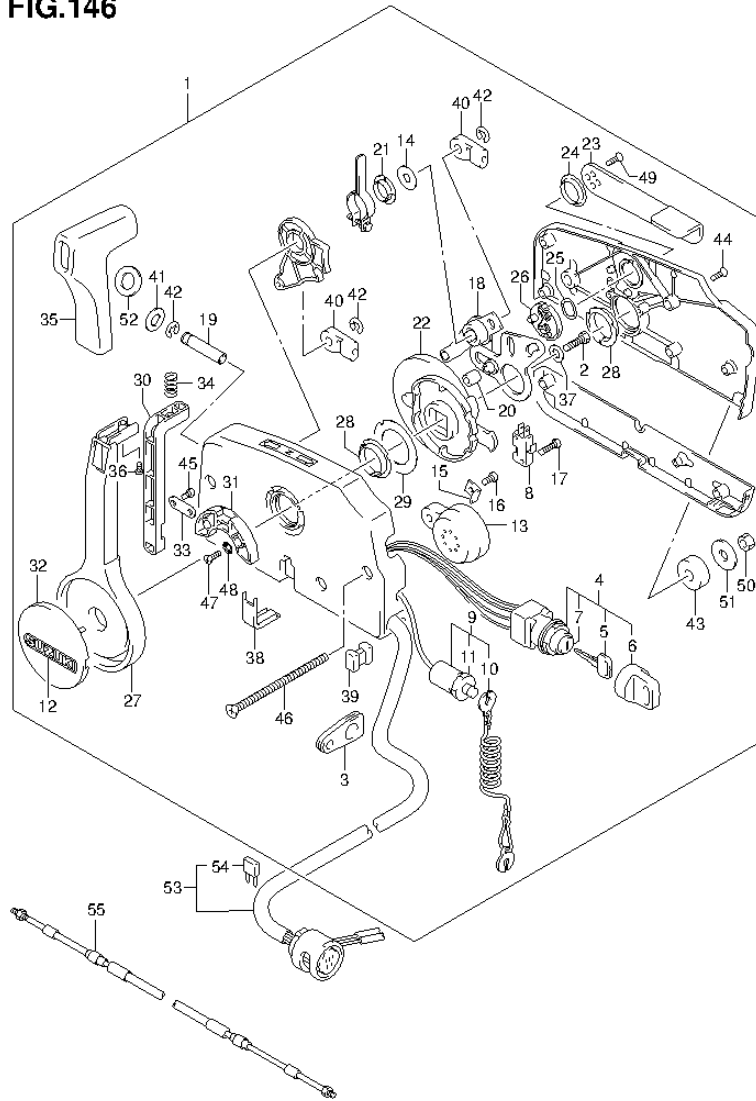


FIG.146 (2-D-3) OPT:REMOTE CONTROL (DF20A P01)

REF NO.	PART NO.	DESCRIPTION	Q'TY	REMARKS
55-1	67320-93J00	CABLE, REMOCON 8F (2.4M)	1	
55-2	67320-93J10	CABLE, REMOCON 10F (3.1M)	1	
55-3	67320-93J20	CABLE, REMOCON 12F (3.7M)	1	
55-4	67320-93J30	CABLE, REMOCON 14F (4.2M)	1	
55-5	67320-93J40	CABLE, REMOCON 16F (4.8M)	1	
55-6	67320-93J50	CABLE, REMOCON 18F (5.4M)	1	
55-7	67320-93J60	CABLE, REMOCON 20F (6.1M)	1	
55-8	67320-93J70	CABLE, REMOCON 22F (6.7M)	1	
55-9	67320-93J80	CABLE, REMOCON 24F (7.3M)	1	

FIG.147

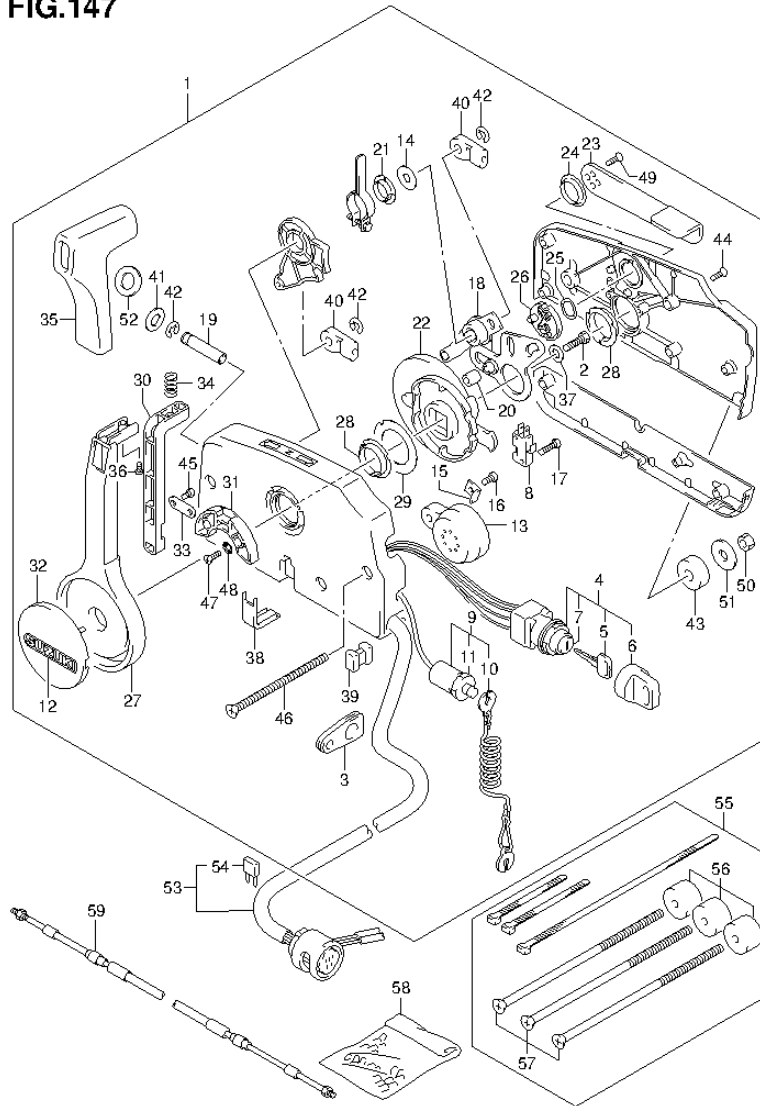
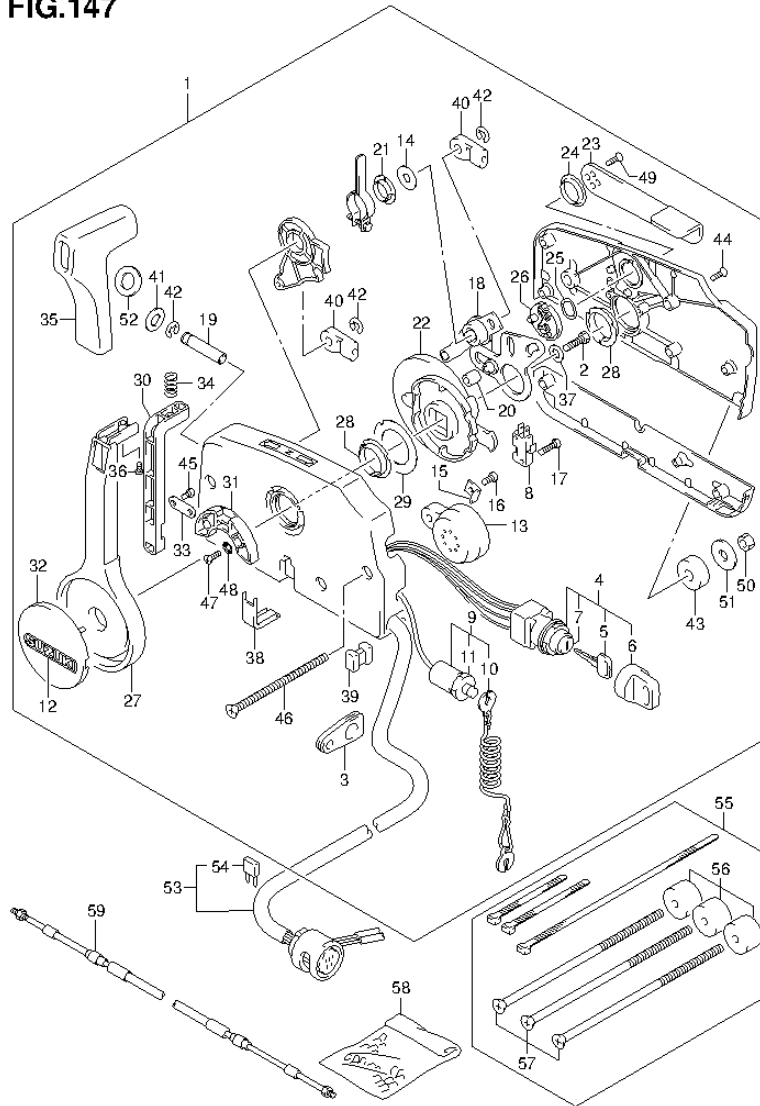


FIG.147 (2-D-4) OPT:REMOTE CONTROL (DF20A P40)

REF NO.	PART NO.	DESCRIPTION	Q'TY	REMARKS
1	67200-94J15	REMOTE CONTROL ASSY	1	
2	09100-08232	.BOLT (8X30)	1	
3	36628-92E00	.GROMMET, WIRE HARNESS	1	
4	37110-94J02	.SWITCH ASSY, IGNITION	1	
5-1	37141-99E00	..KEY (931)	2	
5-2	37141-99E10	..KEY (932)	2	
5-3	37141-99E20	..KEY (933)	2	
5-4	37141-99E30	..KEY (934)	2	
5-5	37141-99E40	..KEY (935)	2	
5-6	37141-99E50	..KEY (936)	2	
5-7	37141-99E60	..KEY (937)	2	
5-8	37141-99E70	..KEY (938)	2	
5-9	37141-99E80	..KEY (939)	2	
5-10	37141-99E90	..KEY (940)	2	
5-11	37141-99EA0	..KEY (941)	2	
5-12	37141-99EB0	..KEY (942)	2	
6	37143-99E00	..CAP, KEY	2	
7	37149-93J00	..CAP, CYLINDER BODY	1	
8	37721-93J90	.SWITCH, NEUTRAL	1	
9	37820-93J03	.SWITCH ASSY, EMERGENCY	1	
10	37823-92E01	..PLATE	1	
11	37826-92E00	..NUT	1	
12	68165-16B00-13L	.EMBLEM, SUZUKI (SILVER)	1	
13	38500-93J00	.BUZZER	1	
14	67212-95600	.WASHER	1	
15	67213-92E00	.BRACKET, BUZZER	1	
16	09125-05042	.SCREW (5X10)	1	
17	67296-92E10	.SCREW, NEUTRAL SW	2	
18	67220-95630	.PLATE ASSY	1	
19	67223-99E10	.KNOB, BRAKE ADJUST	1	
20	67229-95600	.ROLLER	1	
21	67232-95600	.BUSH	1	
22	67238-87D00	.GEAR, DRIVE	1	
23	67241-99E10	.LEVER, FREE THROTTLE	1	

FIG.147



DF20A_P01_013_147
OPT:REMOTE CONTROL

FIG.147 (2-D-5) OPT:REMOTE CONTROL (DF20A P40)

REF NO.	PART NO.	DESCRIPTION	Q'TY	REMARKS
24	67243-95600	.BUSH	1	
25	67244-95600	.WASHER, WAVE	1	
26	67245-95600	.DRUM, FREE THROTTLE	1	
27	67251-99E10	.LEVER, HANDLE	1	
28	67252-95600	.BUSH	2	
29	67253-95600	.WASHER	1	
30	67255-99E00	.ARM, LOCK	1	
31	67256-95600	.HOLDER, NEUT LOCK	1	
32	67257-99E00	.CAP, LEVER	1	
33	67258-99E00	.BRACKET, LOCK ARM	1	
34	67259-87D00	.SPRING, NEUTRAL ARM	1	
35	67261-99E00	.GRIP	1	
36	67296-94310	.SCREW	1	
37	67264-95600	.WASHER	1	
38	67267-93J00	.COVER, WIRE	1	
39	67273-95600	.SPACER	1	
40	67275-95600	.END, CABLE	2	
41	67288-92E00	.WASHER, BRAKE ADJ KNOB	1	
42	67292-94300	.E RING	3	
43	67294-95600	.SPACER	3	
44	67296-90J00	.SCREW	5	
45	67296-94300	.SCREW	2	
46	67296-95600	.SCREW	3	
47	67296-95610	.SCREW	2	
48	67297-95600	.WASHER	2	
49	09126-05003	.SCREW (5X12)	2	
50	09140-06020	.NUT	3	
51	09160-06104	.WASHER (6.5X24X2)	3	
52	37859-90J00	.SPACER	1	
53	36620-94J01	WIRE ASSY, REMOTE CONTROL	1	
54	09481-10501	.FUSE (10A)	1	
55	67140-95600	ATTACHMENT, TWIN REMOCON KIT	1	
56	67294-95600	.SPACER	3	
57	67296-95620	.SCREW (L:165)	3	

DF20A_P01_013

FIG.147

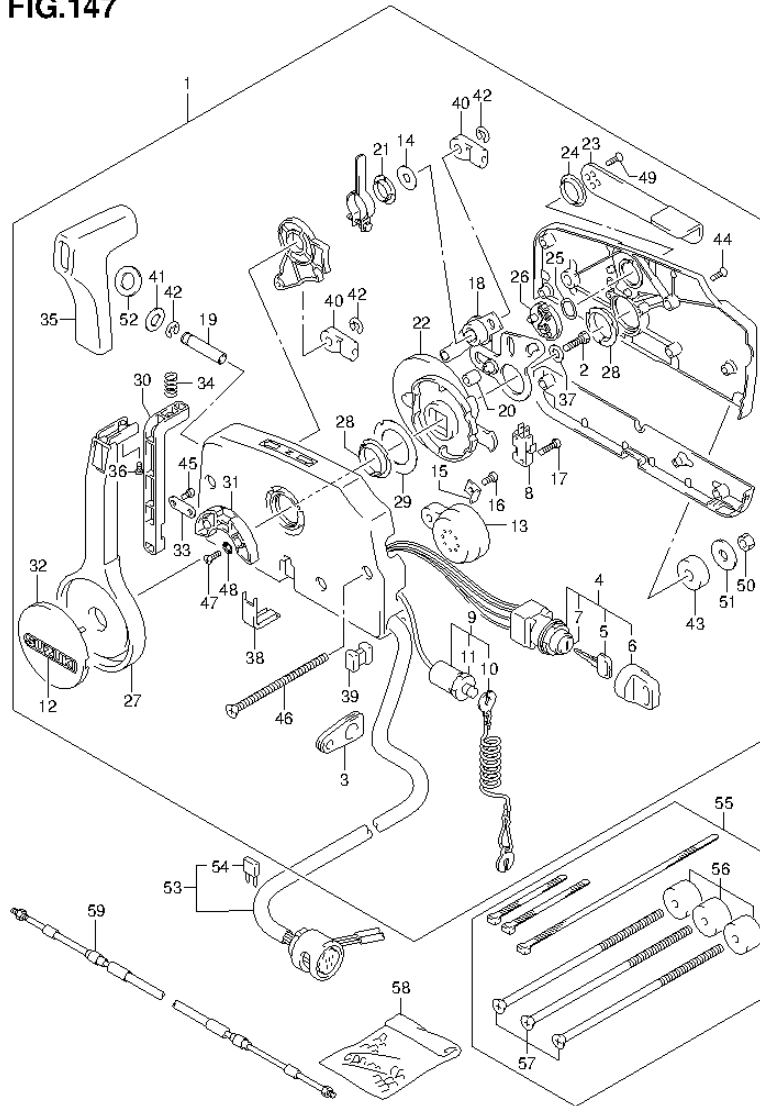


FIG.147 (2-D-6) OPT:REMOTE CONTROL (DF20A P40)

REF NO.	PART NO.	DESCRIPTION	Q'TY	REMARKS
58	36990-87D00	TERMINAL & SLEEVE SET	1	
59-1	67320-93J00	CABLE, REMOCON 8F (2.4M)	1	
59-2	67320-93J10	CABLE, REMOCON 10F (3.1M)	1	
59-3	67320-93J20	CABLE, REMOCON 12F (3.7M)	1	
59-4	67320-93J30	CABLE, REMOCON 14F (4.2M)	1	
59-5	67320-93J40	CABLE, REMOCON 16F (4.8M)	1	
59-6	67320-93J50	CABLE, REMOCON 18F (5.4M)	1	
59-7	67320-93J60	CABLE, REMOCON 20F (6.1M)	1	
59-8	67320-93J70	CABLE, REMOCON 22F (6.7M)	1	
59-9	67320-93J80	CABLE, REMOCON 24F (7.3M)	1	

FIG.148

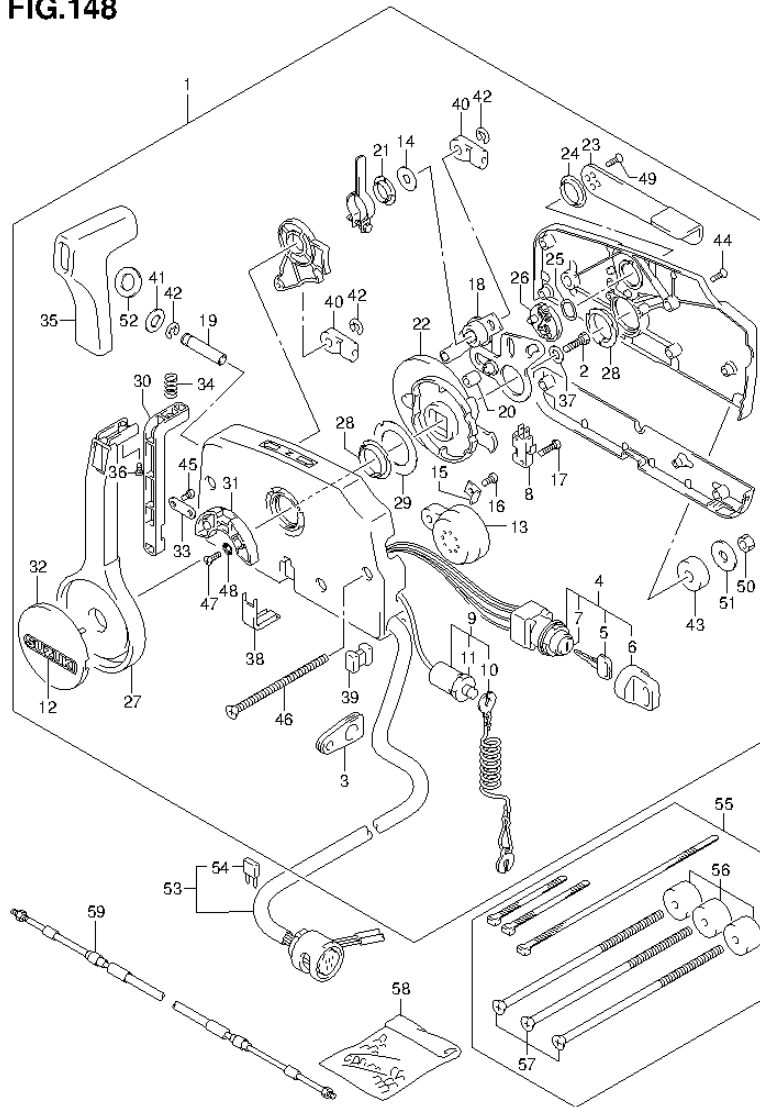
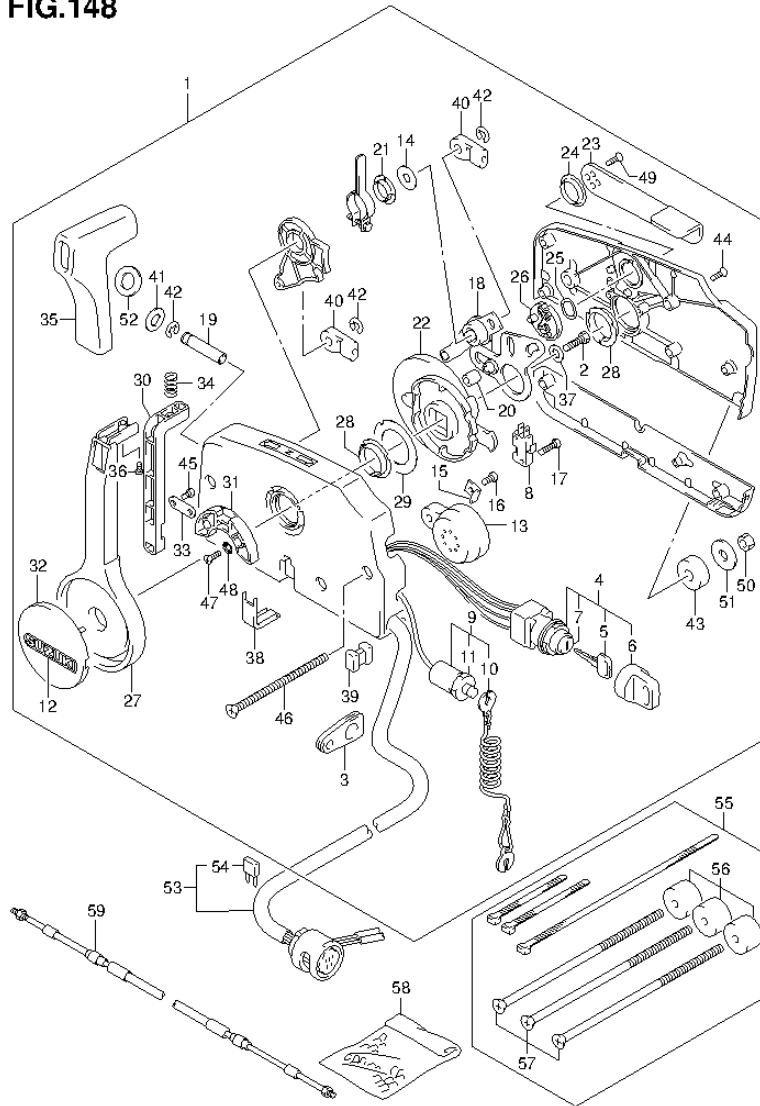


FIG.148 (2-D-7) OPT:REMOTE CONTROL (DF20AR P01)

REF NO.	PART NO.	DESCRIPTION	Q'TY	REMARKS
1	67200-94J15	REMOTE CONTROL ASSY	1	
2	09100-08232	.BOLT (8X30)	1	
3	36628-92E00	.GROMMET, WIRE HARNESS	1	
4	37110-94J02	.SWITCH ASSY, IGNITION	1	
5-1	37141-99E00	..KEY (931)	2	
5-2	37141-99E10	..KEY (932)	2	
5-3	37141-99E20	..KEY (933)	2	
5-4	37141-99E30	..KEY (934)	2	
5-5	37141-99E40	..KEY (935)	2	
5-6	37141-99E50	..KEY (936)	2	
5-7	37141-99E60	..KEY (937)	2	
5-8	37141-99E70	..KEY (938)	2	
5-9	37141-99E80	..KEY (939)	2	
5-10	37141-99E90	..KEY (940)	2	
5-11	37141-99EA0	..KEY (941)	2	
5-12	37141-99EB0	..KEY (942)	2	
6	37143-99E00	..CAP, KEY	2	
7	37149-93J00	..CAP, CYLINDER BODY	1	
8	37721-93J90	.SWITCH, NEUTRAL	1	
9	37820-93J03	.SWITCH ASSY, EMERGENCY	1	
10	37823-92E01	..PLATE	1	
11	37826-92E00	..NUT	1	
12	68165-16B00-13L	.EMBLEM, SUZUKI (SILVER)	1	
13	38500-93J00	.BUZZER	1	
14	67212-95600	.WASHER	1	
15	67213-92E00	.BRACKET, BUZZER	1	
16	09125-05042	.SCREW (5X10)	1	
17	67296-92E10	.SCREW, NEUTRAL SW	2	
18	67220-95630	.PLATE ASSY	1	
19	67223-99E10	.KNOB, BRAKE ADJUST	1	
20	67229-95600	.ROLLER	1	
21	67232-95600	.BUSH	1	
22	67238-87D00	.GEAR, DRIVE	1	
23	67241-99E10	.LEVER, FREE THROTTLE	1	

FIG.148



DF20A_P01_013_148
OPT:REMOTE CONTROL

FIG.148 (2-D-8) OPT:REMOTE CONTROL (DF20AR P01)

REF NO.	PART NO.	DESCRIPTION	Q'TY	REMARKS
24	67243-95600	.BUSH	1	
25	67244-95600	.WASHER, WAVE	1	
26	67245-95600	.DRUM, FREE THROTTLE	1	
27	67251-99E10	.LEVER, HANDLE	1	
28	67252-95600	.BUSH	2	
29	67253-95600	.WASHER	1	
30	67255-99E00	.ARM, LOCK	1	
31	67256-95600	.HOLDER, NEUT LOCK	1	
32	67257-99E00	.CAP, LEVER	1	
33	67258-99E00	.BRACKET, LOCK ARM	1	
34	67259-87D00	.SPRING, NEUTRAL ARM	1	
35	67261-99E00	.GRIP	1	
36	67296-94310	.SCREW	1	
37	67264-95600	.WASHER	1	
38	67267-93J00	.COVER, WIRE	1	
39	67273-95600	.SPACER	1	
40	67275-95600	.END, CABLE	2	
41	67288-92E00	.WASHER, BRAKE ADJ KNOB	1	
42	67292-94300	.E RING	3	
43	67294-95600	.SPACER	3	
44	67296-90J00	.SCREW	5	
45	67296-94300	.SCREW	2	
46	67296-95600	.SCREW	3	
47	67296-95610	.SCREW	2	
48	67297-95600	.WASHER	2	
49	09126-05003	.SCREW (5X12)	2	
50	09140-06020	.NUT	3	
51	09160-06104	.WASHER (6.5X24X2)	3	
52	37859-90J00	.SPACER	1	
53	36620-94J01	.WIRE ASSY, REMOTE CONTROL	1	
54	09481-10501	.FUSE (10A)	1	
55	67140-95600	.ATTACHMENT, TWIN REMOCON KIT	1	
56	67294-95600	.SPACER	3	
57	67296-95620	.SCREW (L:165)	3	

DF20A_P01_013

FIG.148

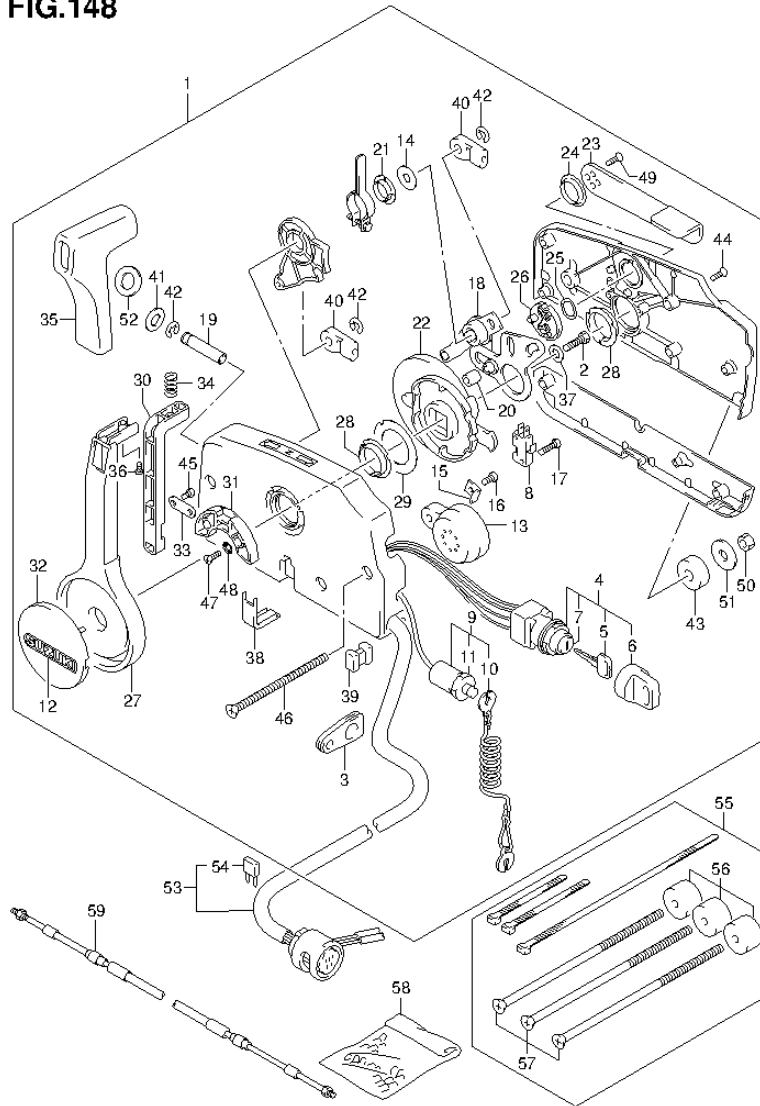


FIG.148 (2-D-9) OPT:REMOTE CONTROL (DF20AR P01)

REF NO.	PART NO.	DESCRIPTION	Q'TY	REMARKS
58	36990-87D00	TERMINAL & SLEEVE SET	1	
59-1	67320-93J00	CABLE, REMOCON 8F (2.4M)	1	
59-2	67320-93J10	CABLE, REMOCON 10F (3.1M)	1	
59-3	67320-93J20	CABLE, REMOCON 12F (3.7M)	1	
59-4	67320-93J30	CABLE, REMOCON 14F (4.2M)	1	
59-5	67320-93J40	CABLE, REMOCON 16F (4.8M)	1	
59-6	67320-93J50	CABLE, REMOCON 18F (5.4M)	1	
59-7	67320-93J60	CABLE, REMOCON 20F (6.1M)	1	
59-8	67320-93J70	CABLE, REMOCON 22F (6.7M)	1	
59-9	67320-93J80	CABLE, REMOCON 24F (7.3M)	1	

FIG.149

FIG.149 (2-D-10) OPT:REMOCON CABLE (ELECTRIC STARTER) (DF15A P01)

REF NO.	PART NO.	DESCRIPTION	Q'TY	REMARKS
1	36620-94J01	WIRE ASSY, REMOTE CONTROL	1	
2	09481-10501	.FUSE (10A)	1	
3	36990-87D00	TERMINAL & SLEEVE SET	1	

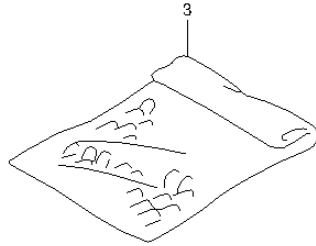
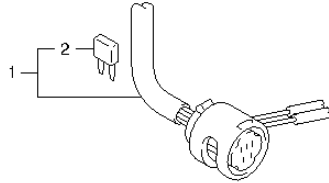


FIG.150

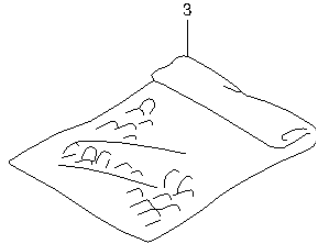
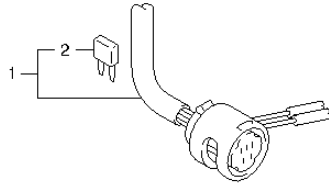


FIG.150 (2-D-11) OPT:REMOCON CABLE (ELECTRIC STARTER) (DF20A P01)

REF NO.	PART NO.	DESCRIPTION	Q'TY	REMARKS
1	36620-94J01	WIRE ASSY, REMOTE CONTROL	1	
2	09481-10501	.FUSE (10A)	1	
3	36990-87D00	TERMINAL & SLEEVE SET	1	

FIG.151

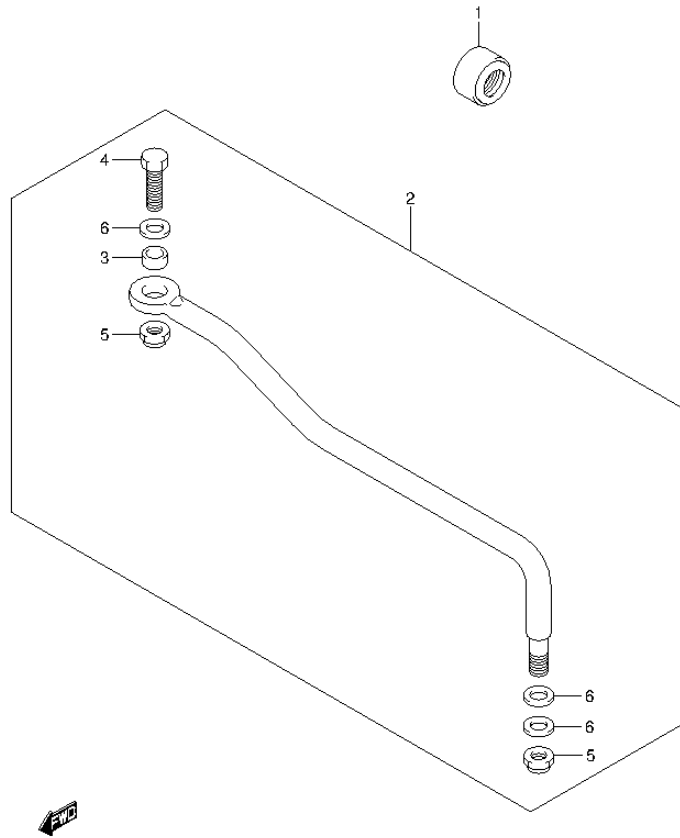


FIG.151 (2-D-12) OPT:DRAG LINK (DF15A P01)

REF NO.	PART NO.	DESCRIPTION	Q'TY	REMARKS
1	41161-94400	SEAL, STEERING CABLE	1	
2	67701-99J01	LINK ASSY, DRAG	1	
3	67721-89J00	.SPACER	1	
4	67725-99J00	.BOLT	1	
5	67726-99E00	.NUT	2	
6	67728-99E00	.WASHER	3	

FIG.152

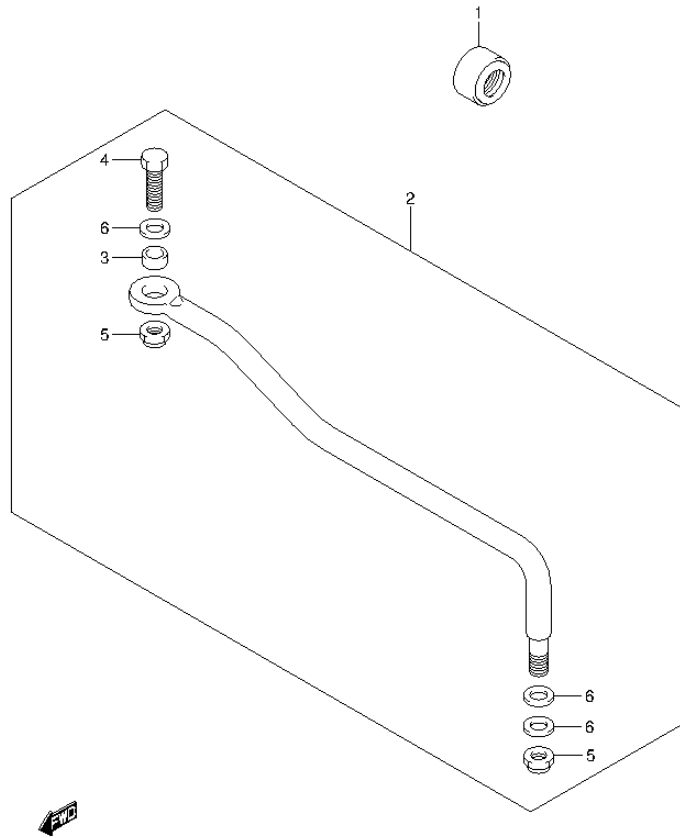


FIG.152 (2-D-13) OPT:DRAG LINK (DF20A P01)

REF NO.	PART NO.	DESCRIPTION	Q'TY	REMARKS
1	41161-94400	SEAL, STEERING CABLE	1	
2	67701-99J01	LINK ASSY, DRAG	1	
3	67721-89J00	.SPACER	1	
4	67725-99J00	.BOLT	1	
5	67726-99E00	.NUT	2	
6	67728-99E00	.WASHER	3	

FIG.153

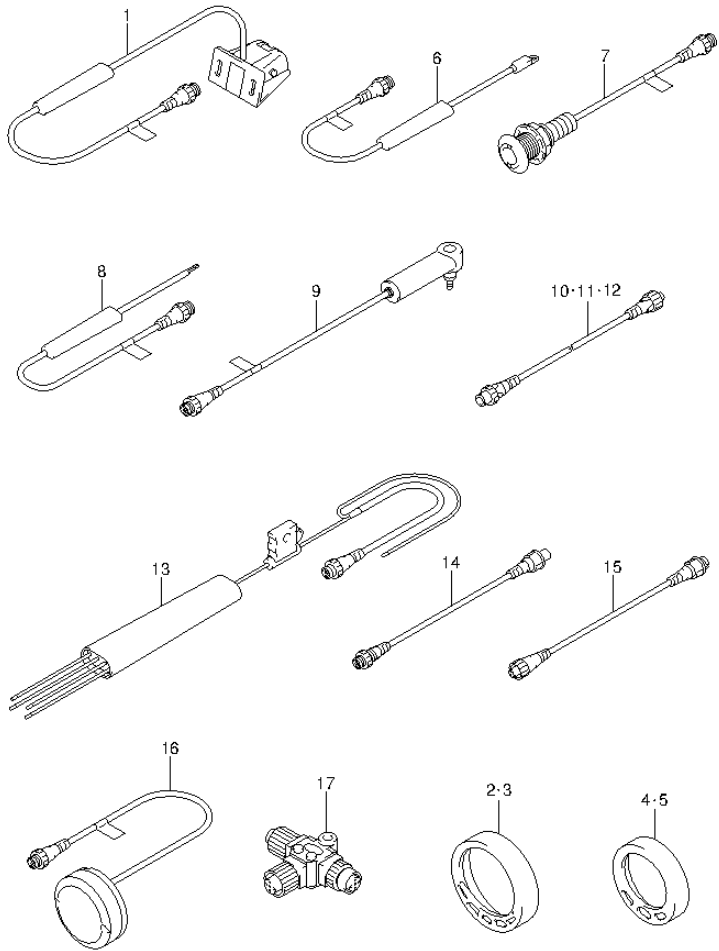


FIG.153 (2-D-14) OPT:LOWRANCE GAUGE (DF9.9BR P01)

REF NO.	PART NO.	DESCRIPTION	Q'TY	REMARKS
1	34190-88L00	SENSOR ASSY,PAD WHEEL	1	
2	34193-88L00	BEZEL, 4 IN CHR	1	
3	34193-88L20	BEZEL, 4 IN WHITE	1	
4	34193-88L40	BEZEL, 2 IN CHR	1	
5	34193-88L60	BEZEL, 2 IN WHITE	1	
6	34455-88L00	SENSOR ASSY, WATER TEMP	1	
7	34455-88L10	SENSOR ASSY, WATER TEMP	1	
8	34810-88L00	SENSOR ASSY, FLUID LEVEL	1	
9	34960-88L00	SENSOR ASSY, WATER PRESSURE	1	
10	36662-88L10	WIRE, 2 EXTENSION	1	
11	36662-88L20	WIRE, 6 EXTENSION	1	
12	36662-88L30	WIRE, 15 EXTENSION	1	
13	36663-88L10	HARNESS ASSY, NETWORK POWER	1	
14	36666-88L00	WIRE, ADAPTER TO N NETWORK	1	
15	36666-88L10	WIRE, ADAPTER TO L NETWORK	1	
16	39950-88L00	MODULE ASSY, GPS RECEIVER	1	
17	36664-88L00	CONNECTOR, BRANCH	1	

FIG.154

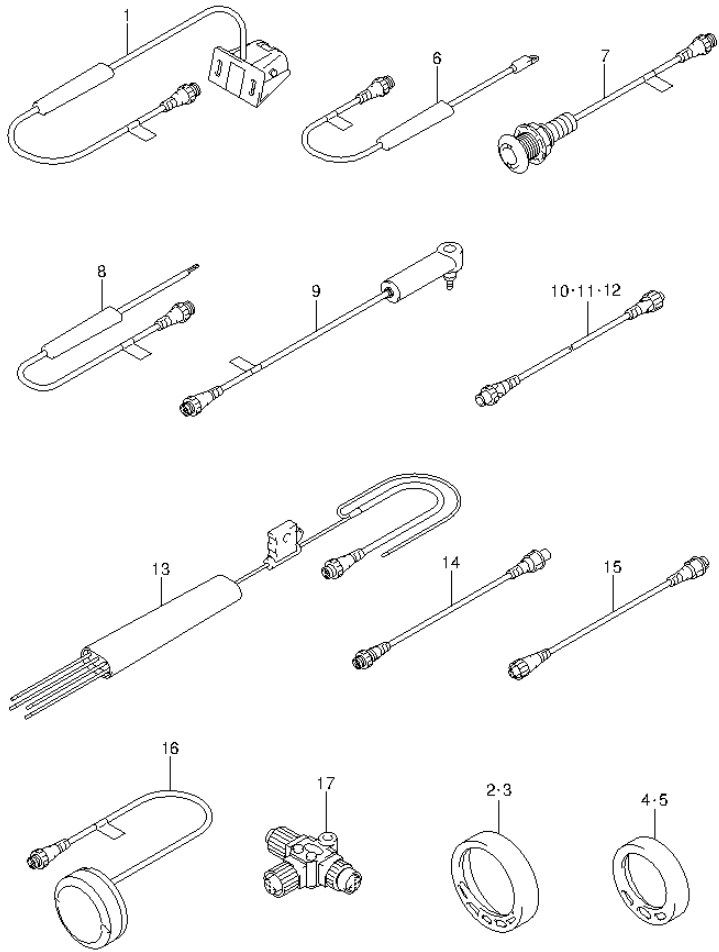


FIG.154 (2-D-15) OPT:LOWRANCE GAUGE (DF15AR P01)

REF NO.	PART NO.	DESCRIPTION	Q'TY	REMARKS
1	34190-88L00	SENSOR ASSY,PAD WHEEL	1	
2	34193-88L00	BEZEL, 4 IN CHR	1	
3	34193-88L20	BEZEL, 4 IN WHITE	1	
4	34193-88L40	BEZEL, 2 IN CHR	1	
5	34193-88L60	BEZEL, 2 IN WHITE	1	
6	34455-88L00	SENSOR ASSY, WATER TEMP	1	
7	34455-88L10	SENSOR ASSY, WATER TEMP	1	
8	34810-88L00	SENSOR ASSY, FLUID LEVEL	1	
9	34960-88L00	SENSOR ASSY, WATER PRESSURE	1	
10	36662-88L10	WIRE, 2 EXTENSION	1	
11	36662-88L20	WIRE, 6 EXTENSION	1	
12	36662-88L30	WIRE, 15 EXTENSION	1	
13	36663-88L10	HARNESS ASSY, NETWORK POWER	1	
14	36666-88L00	WIRE, ADAPTER TO N NETWORK	1	
15	36666-88L10	WIRE, ADAPTER TO L NETWORK	1	
16	39950-88L00	MODULE ASSY, GPS RECEIVER	1	
17	36664-88L00	CONNECTOR, BRANCH	1	

FIG.155

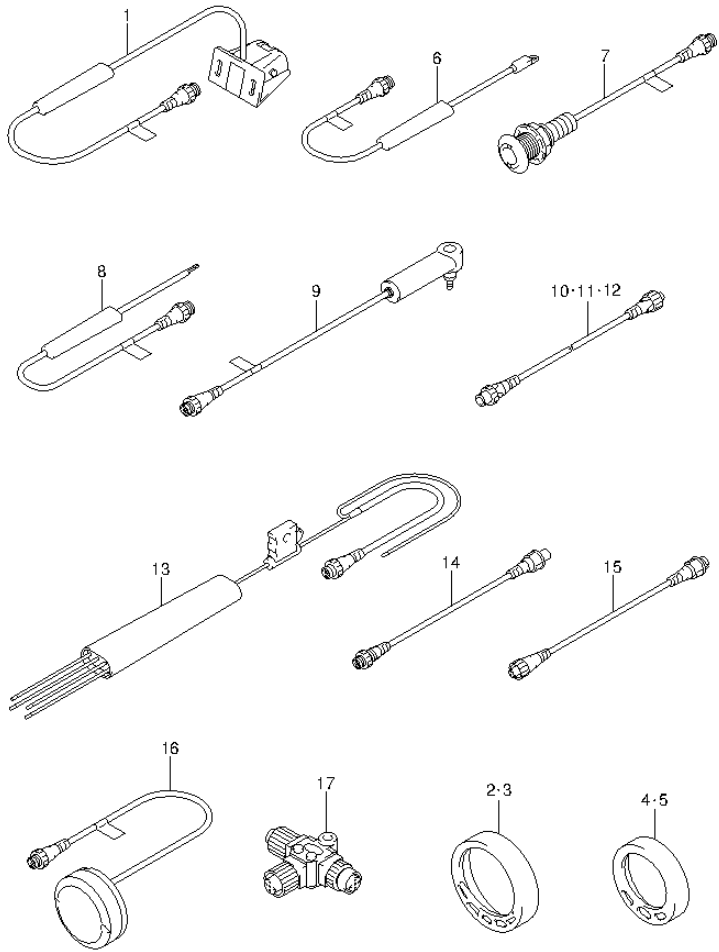


FIG.155 (2-E-2) OPT:LOWRANCE GAUGE (DF20AR P01)

REF NO.	PART NO.	DESCRIPTION	Q'TY	REMARKS
1	34190-88L00	SENSOR ASSY,PAD WHEEL	1	
2	34193-88L00	BEZEL, 4 IN CHR	1	
3	34193-88L20	BEZEL, 4 IN WHITE	1	
4	34193-88L40	BEZEL, 2 IN CHR	1	
5	34193-88L60	BEZEL, 2 IN WHITE	1	
6	34455-88L00	SENSOR ASSY, WATER TEMP	1	
7	34455-88L10	SENSOR ASSY, WATER TEMP	1	
8	34810-88L00	SENSOR ASSY, FLUID LEVEL	1	
9	34960-88L00	SENSOR ASSY, WATER PRESSURE	1	
10	36662-88L10	WIRE, 2 EXTENSION	1	
11	36662-88L20	WIRE, 6 EXTENSION	1	
12	36662-88L30	WIRE, 15 EXTENSION	1	
13	36663-88L10	HARNESS ASSY, NETWORK POWER	1	
14	36666-88L00	WIRE, ADAPTER TO N NETWORK	1	
15	36666-88L10	WIRE, ADAPTER TO L NETWORK	1	
16	39950-88L00	MODULE ASSY, GPS RECEIVER	1	
17	36664-88L00	CONNECTOR, BRANCH	1	

PART NO.	FIG.NO.-REF.NO.	PART NO.	FIG.NO.-REF.NO.	PART NO.	FIG.NO.-REF.NO.
10000			8-3		9-10
			9-3		10-10
			10-3		11-10
			11-3	12931-78G00	5-11
		12842-49201	5-4		6-11
11110-89L00	1-1-1		6-4		7-11
11110-89L01	1-1-2		7-4		8-11
11115-93E00-001	1-19		8-4		9-11
11141-89L00	1-2		9-4		10-11
11162-89L00	1-14		10-4		11-11
11170-89L00	1-13		11-4	12932-24400	5-12
11174-89L00	1-16	12843-27A00	5-5		6-12
11261-93J00	1-5		6-5		7-12
11291-91B50	2-6		7-5		8-12
11300-89L00	2-1		8-5		9-12
11382-93E00	1-10		9-5		10-12
12100-89L00-050	3-10		10-5		11-12
12111-89L00-0B0	3-1		11-5	12933-71C00	5-13
12140-89L00	3-2	12861-89L00	5-6		6-13
12140-89L00-050	3-11		6-6		7-13
12151-89L00	3-3		7-6		8-13
12160-89L00	3-5		8-6		9-13
12163-89L00	3-6		9-6		10-13
12220-89L00	3-7		10-6		11-13
12229-33C00-0A0	3-8		11-6	13111-89L00	12-1
12229-33C00-0D0	3-12	12891-94J00	5-7		13-1
12625-89L00	4-11		6-7		14-1
12631-89L10	4-1		7-7		15-1
12635-89L00	4-2		8-7		16-1
12636-89L00	4-3		9-7		17-1
12637-89L00	4-4		10-7		18-1
12638-89L00	4-5		11-7	13116-94J00	12-8
12700-89L00	5-1-1	12911-93E00	5-8		13-8
	7-1-1		6-8		14-8
	9-1-1		7-8		15-8
	10-1-1		8-8		16-10
12700-89L20	5-1-2		9-8		17-10
	6-1		10-8		18-10
	7-1-2		11-8	13119-89L00	12-2
	8-1	12915-93E00	5-9		13-2
	9-1-2		6-9		14-2
	10-1-2		7-9		15-2
	11-1		8-9		16-2
	129-23		9-9		17-2
12741-89L00	4-6		10-9		18-2
12744-89L00	4-17		11-9	13300-89L00	45-1
12761-93EL0	4-16	12921-89L00	5-10		47-1
12840-89L00	5-3		6-10		49-1
	6-3		7-10		50-1
	7-3		8-10	13300-89L10	46-1

PART NO.	FIG.NO.-REF.NO.	PART NO.	FIG.NO.-REF.NO.	PART NO.	FIG.NO.-REF.NO.
			48-1		83-11
13326-89L00		13655-89L00	51-1		77-13
			45-4		78-12
			46-4	15192-89L00	79-13
			47-4		80-12
			48-4		81-13
			49-4		82-13
		13684-89L00	50-4		83-12
			51-4		20-1
13420-16HA0			45-2		21-1
			46-2		22-1
			47-2	15192-89L10	23-1
			48-2		24-1
			49-2		25-1
			50-2		26-1
		13710-89L00	51-2		16-6
13421-89L00			45-5		17-6
			46-5		18-6
		13811-89L00	47-5		12-5
			48-5		13-5
			49-5		14-5
			50-5		15-5
			51-5		16-5
13425-33G00			45-3		17-5
			46-3		18-5
		13820-89L00	47-3		14-9
			48-3		15-9
		13820-89L10	49-3		12-9
			50-3		13-9
		13831-89L00	51-3		12-11
13513-89L10			42-1		13-11
			43-1		14-11
			44-1		15-11
			136-2		16-11
			137-2		17-11
			138-2		18-11
		13832-89L00	139-2		16-7
13640-32G00			77-1		17-7
			78-1		18-7
		15100-89L00	79-1		20-24
			80-1		21-24
			81-1		22-24
			82-1		23-24
			83-1		24-24
13650-52G00			77-12		25-24
			78-11		26-24
		15191-89L00	79-12		20-25
			80-11		21-25
			81-12		22-25
			82-12		23-25
					24-32
					25-31
					26-31
					27-31
					28-31
					29-31
					30-31
					31-31
					32-31
					33-31
					34-31
					35-31
					36-31
					37-31
					38-31
					39-31
					40-31
					41-31
					42-31
					43-31
					44-31
					45-31
					46-31
					47-31
					48-31
					49-31
					50-31
					51-31
					52-31
					53-31
					54-31
					55-31
					56-31
					57-31
					58-31
					59-31
					60-31
					61-31
					62-31
					63-31
					64-31
					65-31
					66-31
					67-31
					68-31
					69-31
					70-31
					71-31
					72-31
					73-31
					74-31
					75-31
					76-31
					77-31
					78-31
					79-31
					80-31
					81-31
					82-31
					83-31
					84-31
					85-31
					86-31
					87-31
					88-31
					89-31
					90-31
					91-31
					92-31
					93-31
					94-31
					95-31
					96-31
					97-31
					98-31
					99-31
					100-31

PART NO.	FIG.NO.-REF.NO.	PART NO.	FIG.NO.-REF.NO.	PART NO.	FIG.NO.-REF.NO.	
15200-89L00	25-32	15422-89L00	24-43	15790-89L00	26-7	
	26-32		25-36		20-9	
	20-2		26-36		21-9	
	21-2		20-37		22-9	
	22-2		21-37		23-9	
15211-91J00-130	23-2	15600-89L00	22-37	16400-89L00	24-9	
	24-2		23-37		25-9	
	25-2		24-37		26-9	
	26-2		25-37		52-1	
	45-6		26-37		16431-89L00	52-12
	46-6		20-5		16440-11D00	2-5
	47-6		21-5		16510-45H10	52-2
	48-6		22-5		16512-99J00	52-3
	49-6		23-5		16515-89L00	105-6
	50-6		24-5		16910-89L00	52-9
15217-89L00	51-6	15629-89L00	25-5	17400-99J00	52-10	
	20-3		26-5		27-19	
	21-3		20-8		28-19	
	22-3		21-8		29-19	
	23-3		22-8		30-19	
15218-89L00	24-3	15681-89L00	23-8	17400-99J10	31-19	
	25-3		24-8		33-19	
	26-3		25-8		32-19	
	20-4		26-8		17411-94J00	27-1
	21-4		19-1		28-1	
	22-4		15685-89L00		20-38	29-1
	23-4		21-38		30-1	
	24-4		22-38		31-1	
	25-4		23-38		32-1	
	26-4		24-38		33-1	
15410-87L00	20-33	15690-89L00	25-38	17413-94J00	27-2	
	21-33		26-38		28-2	
	22-33		20-6		29-2	
	23-33		21-6		30-2	
	24-33		22-6		31-2	
15419-87J00	25-33	15710-89L00	23-6	17413-94J10	33-2	
	26-33		24-6		32-2	
	20-35		25-6		27-3	
	21-35		26-6		28-3	
	22-35		19-2		29-3	
15421-89L00	23-35	15716-65DT0	19-3	17461-939M0	30-3	
	24-35	15734-89L00	19-4		31-3	
	25-35	15735-89L00	19-5		32-3	
	26-35	15751-89L00	19-6		33-3	
	22-36	15770-89L00	20-7		17471-99J00	27-4
15421-89L01	24-36	15770-89L00	21-7	17471-99J00	28-4	
	20-36		22-7		29-4	
	21-36		23-7		30-4	
	22-43		24-7		31-4	
	23-36		25-7		33-4	

PART NO.	FIG.NO.-REF.NO.	PART NO.	FIG.NO.-REF.NO.	PART NO.	FIG.NO.-REF.NO.	
17471-99J10	32-4	17631-99J20	27-10	18142-93E00	35-4	
	17472-99J00		27-5		28-10	36-4
	28-5		29-10		37-4	
	29-5		30-10		38-4	
	30-5		31-10		39-4	
17473-94J00	31-5	17632-99J30	32-10	18210-93002	40-4	
	32-5		33-10		41-4	
	33-5		27-11		35-6	
	27-6		28-11		36-6	
	28-6		29-11		37-6	
	29-6		30-11		38-6	
	30-6		31-11		39-6	
	31-6		32-11		40-6	
	32-6		33-11		41-6	
	33-6		17670-91J00		34-1	18280-93E00
17561-99J00	27-7-1	17680-89L00	34-2	18280-93E00	36-7	
	28-7-1	17685-89L00	34-7		37-7	
	29-7-1	17712-89L00	34-5		38-7	
	30-7-1	17712-89L10	34-4		39-7	
	31-7-1	17913-93J00	106-1		40-7	
17561-99J10	32-7-1	17914-93JL0	106-2	18290-94J01	41-7	
	33-7-1	17917-87L00	107-23		35-10	
	27-7-2	18100-94JM0	35-1		36-10	
	28-7-2	36-1	37-10			
	29-7-2	37-1	38-10			
	30-7-2	38-1	39-10			
	31-7-2	39-1	40-10			
	32-7-2	40-1	41-10			
	33-7-2	41-1	20-10			
	27-8	18121-94JL0	35-2		18498-87JCO	21-10
17563-94J00	28-8	18130-93E01	36-2	18498-94J20	22-10	
	29-8		37-2		23-10	
	30-8		38-2		24-10	
	31-8		39-2		25-10	
	32-8		40-2		26-10	
	33-8		41-2		34-8	
	27-9		35-3		77-14	
	28-9		36-3		78-13	
	29-9		37-3		79-14	
	30-9		38-3		80-13	
17564-99J00	31-9	18132-89L00	39-3	18590-58M00	81-14	
	32-9		40-3		82-14	
	33-9		41-3		83-13	
	27-18		35-5		42-2	
	28-18		36-5		43-2	
17565-99J00	29-18	18132-89L00	37-5	19120-99J10	44-2	
	30-18		38-5		136-3	
	31-18		39-5		137-3	
	32-18		40-5		138-3	
	33-18		41-5		139-3	

PART NO.	FIG.NO.-REF.NO.	PART NO.	FIG.NO.-REF.NO.	PART NO.	FIG.NO.-REF.NO.
19122-89J00	42-3	21120-89L00	58-1	23115-89L10	58-6
	43-3		53-2		54-6
	44-3		54-2		56-6
	136-4		55-2		59-6
	137-4		56-2		136-10
19131-89L00	138-4	21122-89L00	57-2	23211-89L00	137-10
	139-4		58-2		138-10
	42-4		59-2		139-10
	43-4		53-3		53-7
	44-4		54-3		54-7
19148-89L10	136-5	21131-94J00	55-3	23311-95J00	55-7
	137-5		56-3		56-7
	138-5		57-3		57-7
	139-5		58-3		58-7
	42-5		59-3		59-7
19150-89L00	43-5	21210-89L00	122-36	25111-99J00	60-1
	44-5		123-36		60-2
	136-6		124-36		60-5
	137-6		125-36		60-6
	138-6		53-4		60-3
19185-99J00	139-6	22511-92L00	54-4	29141-93J00	27-13
	42-6		55-4		28-13
	43-6		56-4		29-13
	44-6		57-4		30-13
	136-7		58-4		31-13
19185-99J00	137-7	22511-92L00	59-4	29141-93J00	32-13
	138-7		98-1		33-13
	139-7		99-1		60-7
	42-7		100-1		91-12
	43-7		101-1		92-12
20000	44-7	23111-89L00	102-1	29162-93J10	93-12
	136-8		103-1		94-12
	137-8		104-1		95-12
	138-8		53-5-1		96-12
	139-8		54-5-1		97-12
21110-89L10	54-1	23111-89L10	55-5-1	29440-93J00	91-18
	56-1		56-5-1		92-18
	59-1		57-5-1		93-18
	136-9		58-5-1		94-18
	137-9		59-5-1		95-18
21111-89L00	138-9	23115-89L00	53-5-2	29440-93J00	96-18
	139-9		54-5-2		97-18
	53-1		55-5-2		98-21
	55-1		56-5-2		99-21
	57-1		57-5-2		100-21
			58-5-2		101-21
			59-5-2		102-21
			53-6		103-21
			55-6		104-21
			57-6		

PART NO.	FIG.NO.-REF.NO.	PART NO.	FIG.NO.-REF.NO.	PART NO.	FIG.NO.-REF.NO.	
30000		32800-89L00	67-1-2		85-8	
			68-1-2		86-13	
			70-1		87-8	
			71-1		88-13	
			72-1		89-13	
			73-1		90-8	
			74-1		33800-89L00	129-12
			75-1		33810-89L00	84-1
			76-1			85-1
			129-6			86-1
			128-3			87-1
			128-2			88-1
			70-2			89-1
			71-2			90-1
			72-2			129-13
73-2	33833-91J00	122-21				
74-2		123-21				
75-2		124-21				
76-2		125-21				
62-11		72-13-1				
62-12	32815-89L10	73-13				
62-13	32890-89L00	129-24-1				
62-14		33920-89L11	72-13-2			
62-15		33920-89L21	74-13-1			
62-16			76-13			
62-18			129-24-2			
62-19		33920-89L31	74-13-2			
128-1		33920-89L40	70-13-1			
63-4-1	33220-89L00		71-13			
64-4			129-24-3			
65-4-1		33920-89L50	70-13-2			
66-4		33920-89L60	75-13-1			
67-4-1			129-24-4			
68-4-1		33920-89L70	75-13-2			
69-4		33925-89L00	70-14			
129-4	33410-89L00		71-14			
63-4-2			72-14			
65-4-2			73-14			
67-4-2			74-14			
68-4-2			75-14			
63-1-1			76-14			
64-1		34011-88L02	130-1			
65-1-1	33500-07H00		131-1			
66-1			132-1			
67-1-1		34011-89L00	130-7			
68-1-1			131-7			
69-1			132-7			
129-5		34100-93J20	130-30-1			
63-1-2			131-30-1			
65-1-2	33634-96J00		132-30-1			

PART NO.	FIG.NO.-REF.NO.	PART NO.	FIG.NO.-REF.NO.	PART NO.	FIG.NO.-REF.NO.
34100-93J31	130-30-2 131-30-2 132-30-2	34300-93J11	132-41-1 130-41-2 131-41-2	36367-89L00	77-4 78-4 79-4
34100-93J40	130-30-3 131-30-3 132-30-3	34310-92E00	132-41-2 130-42 131-42		80-4 81-4 82-4
34100-93J51	130-30-4 131-30-4 132-30-4	34360-92E00	132-42 130-43 131-43	36610-89L01	83-4 84-5-1 86-5-1
34190-87D00	130-37 131-37 132-37	34455-88L00	132-43 153-6 154-6		88-5-1 89-5-1 129-19
34190-88L00	153-1 154-1 155-1	34455-88L10	155-6 153-7 154-7	36610-89L11	84-5-2 86-5-2 88-5-2
34190-95500	130-35 131-35 132-35	34500-93J00	155-7 154-7 155-7	36610-89L20	89-5-2 85-2 87-2
34191-92E00	130-32 131-32 132-32	34500-93J11	130-24-1 131-24-1 132-24-1		90-2 136-11 137-11
34193-88L00	153-2 154-2 155-2	34600-93J00	130-24-2 131-24-2 132-24-2		138-11 139-11 63-12
34193-88L20	153-3 154-3 155-3	34600-93J11	130-27-1 131-27-1 132-27-1	36615-96300	65-12 67-12 68-12
34193-88L40	154-3 153-4 154-4 155-4	34600-93J11	130-27-2 131-27-2 132-27-2		84-8 85-5 86-8
34193-88L60	153-5 154-5 155-5	34800-88L01	130-8 131-8 132-8		87-5 88-8 89-8
34200-87L11	130-15 131-15 132-15	34810-88L00	130-8 153-8 154-8		90-5 130-18 130-26
34200-88L02	130-2 131-2 132-2	34922-88L01	155-8 130-3 130-9		130-29 130-34 130-39
34200-93J20	130-38-1 131-38-1 132-38-1		131-9 132-3 132-9		130-45 131-18 131-26
34200-93J31	130-38-2 131-38-2 132-38-2	34960-88L00	132-9 153-9 154-9		131-29 131-34 131-39
34211-87L00	130-16 131-16 132-16	36360-99J10	77-3 78-3 79-3		131-45 132-18 132-26
34300-93J00	130-41-1 131-41-1		80-3 81-3 82-3 83-3	36616-89L01	132-29 132-34 132-39 132-45 77-10

PART NO.	FIG.NO.-REF.NO.	PART NO.	FIG.NO.-REF.NO.	PART NO.	FIG.NO.-REF.NO.
	78-9 79-10 80-9 81-10 82-10 83-9		150-1 142-3 143-3 144-3 145-3 146-3	36628-92E00	130-6 130-13 131-6 131-13 132-6 132-13
36617-89L01	84-14 85-9 86-14 87-9 88-14 89-14	36660-89L00	147-3 148-3 130-14 131-14 132-14	36666-87L00	130-20 131-20 132-20 153-14 154-14
36617-89L10	90-9 94-12 86-12 88-12 89-12 129-14	36661-87L00	130-17 131-17 132-17 130-10 131-10	36666-88L10	155-14 153-15 154-15 155-15 128-10
36617-91J00	84-15 85-10 86-15 87-10 88-12 89-12	36662-88L00	130-10 131-10 132-10 153-10 154-10	36740-94J00 36890-93J00 36990-87D00	128-10 140-16 128-16 142-58 143-58
36618-43410	84-8 85-5 86-8 87-5 88-8 89-8	36662-88L20	155-10 153-11 154-11 155-11 153-12 154-12		145-58 147-58 148-58 149-3 150-3
	90-5 136-12 137-12 138-12 139-12 85-17-1	36663-88L00	155-12 130-4 130-11 131-4 131-11 132-4	37100-96J00 37100-96J23	133-1 134-1 135-1 133-13 134-13 135-13
36620-93J10	90-5 136-12 137-12 138-12 139-12 87-17-1	36663-88L10	132-11 153-13 154-13 155-13 130-21 131-21	37110-93J01	133-2 133-14 134-2 134-14 135-2 135-14
36620-93J40	85-17-1 87-17-1 90-17-1 85-17-2 87-17-2 90-17-2	36663-98J00	130-21 131-21 132-21 130-23 131-23 132-23	37110-94J02	142-4 143-4 144-4 145-4 146-4
36620-94J01	142-53 143-53 144-53 145-53 146-53 147-53	36664-88L00	153-17 154-17 155-17 130-5 130-12	37139-99E00	147-4 148-4 133-6 134-6 135-6
	148-53 149-1	36665-88L00	130-5 131-5 131-12 132-5 132-12	37139-99E20	133-6 134-6 133-18 134-18 135-18

PART NO.	FIG.NO.-REF.NO.	PART NO.	FIG.NO.-REF.NO.	PART NO.	FIG.NO.-REF.NO.
37141-99E00	133-3-1	37141-99E40	147-5-4	37141-99E80	145-5-8
	133-15-1		148-5-4		146-5-8
	134-3-1		133-3-5		147-5-8
	134-15-1		133-15-5		148-5-8
	135-3-1		134-3-5		133-3-9
37141-99E10	135-15-1	37141-99E50	134-15-5	37141-99E90	133-15-9
	142-5-1		135-3-5		134-3-9
	143-5-1		135-15-5		134-15-9
	144-5-1		142-5-5		135-3-9
	145-5-1		143-5-5		135-15-9
	146-5-1		144-5-5		142-5-9
	147-5-1		145-5-5		143-5-9
	148-5-1		146-5-5		144-5-9
	133-3-2		147-5-5		145-5-9
	133-15-2		148-5-5		146-5-9
37141-99E20	134-3-2	37141-99E60	133-3-6	37141-99EA0	147-5-9
	134-15-2		133-15-6		148-5-9
	135-3-2		134-3-6		133-3-10
	135-15-2		134-15-6		133-15-10
	142-5-2		135-3-6		134-3-10
	143-5-2		135-15-6		134-15-10
	144-5-2		142-5-6		135-3-10
	145-5-2		143-5-6		135-15-10
	146-5-2		144-5-6		142-5-10
	147-5-2		145-5-6		143-5-10
37141-99E30	148-5-2	37141-99E70	146-5-6	37141-99EB0	144-5-10
	133-3-3		147-5-6		145-5-10
	133-15-3		148-5-6		146-5-10
	134-3-3		133-3-7		147-5-10
	134-15-3		133-15-7		148-5-10
	135-3-3		134-3-7		133-3-11
	135-15-3		134-15-7		133-15-11
	142-5-3		135-3-7		134-3-11
	143-5-3		135-15-7		134-15-11
	144-5-3		142-5-7		135-3-11
37141-99E40	145-5-3	37141-99E80	143-5-7	37141-99EC0	135-15-11
	146-5-3		144-5-7		142-5-11
	147-5-3		145-5-7		143-5-11
	148-5-3		146-5-7		144-5-11
	133-3-4		147-5-7		145-5-11
	133-15-4		148-5-7		146-5-11
	134-3-4		133-3-8		147-5-11
	134-15-4		133-15-8		148-5-11
	135-3-4		134-3-8		133-3-12
	135-15-4		134-15-8		133-15-12
37141-99E50	142-5-4	37141-99E90	135-3-8	37141-99ED0	134-3-12
	143-5-4		135-15-8		134-15-12
	144-5-4		142-5-8		135-3-12
	145-5-4		143-5-8		135-15-12
	146-5-4		144-5-8		142-5-12

PART NO.	FIG.NO.-REF.NO.	PART NO.	FIG.NO.-REF.NO.	PART NO.	FIG.NO.-REF.NO.
37143-99E00	143-5-12	37212-93J00	135-11	37721-89L00	145-9
	144-5-12		133-12		146-9
	145-5-12		134-12		147-9
	146-5-12		135-12		148-9
	147-5-12		77-7		133-20
	148-5-12		78-6		134-20
	133-4		79-7		135-20
	133-16		80-6		142-10
	134-4		81-7		143-10
	134-16		82-7		144-10
37149-93J00	135-4	37721-93J90	83-6	37721-95500	145-10
	135-16		142-8		146-10
	142-6		143-8		147-10
	143-6		144-8		148-10
	144-6		145-8		122-33
	145-6		146-8		123-33
	146-6		147-8		124-33
	147-6		148-8		125-33
	148-6		141-11		133-10
	133-5		77-11		134-10
37161-89L00	133-17	37725-89L00	78-10	37726-89L00	135-10
	134-5		79-11		133-21
	134-17		80-10		134-21
	135-5		81-11		135-21
	135-17		82-11		142-11
	142-7		83-10		143-11
	143-7		77-8		144-11
	144-7		78-7		145-11
	145-7		79-8		146-11
	146-7		80-7		147-11
37163-89L00	147-7	37801-98300	81-8	37803-93J03	148-11
	148-7		82-8		122-34
	77-5		83-7		123-34
	79-5		128-11		124-34
	81-5		133-9		125-34
	82-5		134-9		122-32
	129-15		135-9		123-32
	77-6		77-2		124-32
	78-5		78-2		125-32
	79-6		79-2		122-35
37210-93J00	80-5	37820-93E10	80-2	37820-93J03	123-35
	81-6		81-2		124-35
	82-6		82-2		125-35
	83-5		83-2		140-4
	136-15		133-19		142-52
	137-15		134-19		143-52
	138-15		135-19		144-52
	139-15		142-9		145-52
	133-11		143-9		146-52
	134-11		144-9		147-52

PART NO.	FIG.NO.-REF.NO.	PART NO.	FIG.NO.-REF.NO.	PART NO.	FIG.NO.-REF.NO.			
38500-93J00	148-52	41111-89L00-0EP	91-1	41213-98100	93-4			
	142-13		92-1		94-4			
	143-13		93-1		95-4			
	144-13		94-1		96-4			
	145-13		95-1		97-4			
38500-93J90	146-13	41121-89L00-0EP	96-1	41225-89L00	91-5			
	147-13		97-1		92-5			
	148-13		91-2		93-5			
	133-7		92-2		94-5			
	133-23		93-2		95-5			
38860-76F01	134-7	41130-89L00	94-2	41111-89L00-0EP	96-5			
	134-23		95-2		97-5			
	135-7		96-2		98-9			
	135-23		97-2		99-9			
	62-20		92-7		100-9			
38915-90J00	70-15	41130-90L00	94-7	41153-96300	101-9			
	71-15		97-7		102-9			
	72-15		136-16		103-9			
	73-15		137-16		104-9			
	74-15		138-16		98-2-1			
39600-89L00	75-15	41161-94400	139-16	41210-99JL1	99-2-1			
	76-15		91-7		100-2-1			
	129-20		93-7		101-2-1			
	62-21		95-7		102-2-1			
	70-16		96-7		103-2-1			
39601-95D00	71-16	41121-89L10-0EP	91-19	43111-87JL0	104-2-1			
	72-16		92-19		98-2-2			
	73-16		93-19		99-2-2			
	74-16		94-19		100-2-2			
	75-16		95-19		101-2-2			
39602-93900	76-16	41210-99JL1	96-19	43112-99E00	102-2-2			
	129-21		97-19		103-2-2			
	128-9		151-1		104-2-2			
	128-12		152-1		106-4			
	128-13		91-26		98-7			
39950-87L00	130-19	41211-99JL0	92-26	43411-89L00	99-7			
	131-19		93-26		100-7			
	132-19		94-26		101-7			
	39950-88L00		153-16		41211-99JL0	95-26	43411-939L0	102-7
			154-16			96-26		103-7
155-16		97-26	104-7					
91-3		98-27	98-19					
92-3		100-27	99-19					
40000	93-3	41212-91J00	102-27	41212-91J00	100-19			
	94-3		103-3		101-19			
	95-3		104-3		101-19			
	96-3		94-3		101-19			
	97-3		99-3		102-19			

PART NO.	FIG.NO.-REF.NO.	PART NO.	FIG.NO.-REF.NO.	PART NO.	FIG.NO.-REF.NO.
43412-93900	103-19	43750-99J50-0EP	104-4-1	45250-89L00	98-15
	104-19		98-4-2		99-15
	98-20		99-4-2		100-15
	99-20		100-4-2		101-15
	100-20		101-4-2		102-15
43415-89L00	101-20	43755-99J00	102-4-2	45261-89L00	103-15
	102-20		103-4-2		104-15
	103-20		104-4-2		91-13
	104-20		99-27		92-13
	98-28		101-27		93-13
43420-89L00	100-28	43759-89L00	104-27	45269-89L00	94-13
	102-28		99-31		95-13
	103-28		101-31		96-13
	98-29		103-17		97-13
	100-29		138-17		97-13
43425-89L00	102-29	45212-89L00	139-17	45420-89L00	91-24
	103-29		99-31		92-24
	98-30		101-31		93-24
	100-30		104-31		94-24
	102-30		136-18		95-24
43512-89L00	103-30	45212-89L00	137-18	45425-94J00	96-24
	98-31		138-18		97-24
	100-31		139-18		91-20
	102-31		98-10		92-20
	103-31		99-10		93-20
43515-88L00	98-32	45231-89L00	100-10	45710-89L00	94-20
	100-32		101-10		95-20
	102-32		102-10		96-20
	103-32		103-10		97-20
	98-33		104-10		91-21
43517-89L00	100-33	43711-99J00	98-11	45722-94J11	92-21
	102-33		99-11		93-21
	103-33		100-11		94-21
	98-34		101-11		95-21
	100-34		102-11		96-21
43711-99J00	102-34	45241-89L00	103-11	45710-89L00	97-21
	103-34		104-11		98-24
	98-3		98-12		99-24
	99-3		99-12		100-24
	100-3		100-12		101-24
43750-99J40-0EP	101-3	45247-99J00	101-12	45722-94J11	102-24
	101-3		102-12		103-24
	102-3		103-12		104-24
	103-3		104-12		98-25
	104-3		98-14		99-25
43750-99J40-0EP	98-4-1	45247-99J00	99-14	45722-94J11	100-25
	99-4-1		100-14		101-25
	100-4-1		101-14		102-25
	101-4-1		102-14		103-25
	102-4-1		103-14		104-25
103-4-1	104-14				

PART NO.	FIG.NO.-REF.NO.	PART NO.	FIG.NO.-REF.NO.	PART NO.	FIG.NO.-REF.NO.	
50000		57610-99JL0	61-14		110-5	
		57621-99J11	61-15		111-5	
		57631-93901	61-19		112-5	
		57632-94J00	107-17		113-5	
		57632-98501	61-20		114-5	
	51110-89L00	105-1-1	58100-89L00-019	107-15-1	61151-91J11	20-43
	51110-89L01	105-1-2	58100-89L20-019	107-15-2		21-43
	51211-89L00	105-2	58100-89L30-019	107-15-3		22-44
	52110-89L00-0EP	106-3-1	58100-89L40-019	107-15-4		23-43
	52110-89L10-0EP	106-3-2	58100-90L40-019	107-15-5		24-44
52113-89L00	106-5	58100-90L50-019	107-15-6		25-43	
54112-99J01	105-7	58100-90L60-019	107-15-7		26-43	
54113-99JL0	105-8	58120-89L00	107-16		108-14	
54125-99J00	105-10	59178-97J00	107-8		109-14	
54127-89L00	105-9	59262-94J00	52-13		110-14	
54130-89L00	105-11	59441-94J00	61-17		111-14	
54137-89L00	105-12	59441-99J00	61-18		112-14	
54144-89L10	108-17	59800-89L00	115-12		113-14	
	109-17		116-12		114-14	
	110-17		117-12	61400-89L00-0EP	115-1	
	111-17		118-12		116-1	
	112-17		119-12		117-1	
	113-17		120-12		118-1	
	114-17		121-12		119-1	
54145-89L00	108-18				120-1	
	109-18				121-1	
	110-18			61412-89L00	108-9	
	111-18				109-9	
	112-18	60000			110-9	
	113-18				111-9	
	114-18	61112-89L00	108-4		112-9	
54151-99J00	106-10		109-4		113-9	
54167-99J00	106-11		110-4		114-9	
54211-99J00-0EP	106-12		111-4	61433-89L00	115-2	
54213-93901	106-14		112-4		116-2	
54221-99J00-0EP	106-13		113-4		117-2	
55100-99J40-0EP	107-1		114-4		118-2	
55321-87J00	1-7	61124-89L00	108-13		119-2	
	107-6		110-13		120-2	
55321-87J10	107-24		112-13		121-2	
55331-99J10	107-21		113-13	61435-89L00	119-8	
55332-99J10	107-22	61124-89L20	109-13		120-8	
56120-99J40-0EP	107-10		111-13		121-8	
56130-99J30	61-21		114-13	61435-94J30	117-8	
56132-99J10	61-23		136-21		118-8	
57100-90L30	61-1-2		137-21	61435-99J10	115-8	
57100-90L40	61-1-1		138-21		116-8	
57311-99J10	61-8		139-21	61443-99J00	115-5	
57510-99J10	61-9	61134-89L00	108-5		116-5	
57521-99J10	61-10		109-5		117-5	

PART NO.	FIG.NO.-REF.NO.	PART NO.	FIG.NO.-REF.NO.	PART NO.	FIG.NO.-REF.NO.
	118-5		39-16		111-6
	119-5		40-16		112-6
	120-5		41-16		113-6
	121-5	61610-90L00	108-10		114-6
61446-89L00	115-9		109-10	63111-89L00-0EP	122-1
	116-9		110-10		123-1
	117-9		111-10		124-1
	118-9		112-10		125-1
	119-9		113-10	63114-99J01	122-22
	120-9		114-10		123-22
	121-9	61616-93ELO	108-11		124-22
61453-99J00	115-6		109-11		125-22
	116-6		110-11	63115-99J00	122-3
	117-6		111-11		123-3
	118-6		112-11		124-3
	119-6		113-11		125-3
	120-6		114-11	63115-99J10	122-2
	121-6	61622-90L00	115-4		123-2
61458-89L00	115-10		116-4		124-2
	116-10		117-4		125-2
	117-10		118-4	63116-99J00	122-4
	118-10		119-4		123-4
	119-10		120-4		124-4
	120-10		121-4		125-4
	121-10	61810-89L00-RB4	108-1	63121-99J00-0EP	122-5
61471-89L00	115-11		109-1		123-5
	116-11		110-1		124-5
	117-11		111-1		125-5
	118-11		112-1	63122-99J00	122-23
	119-11		113-1		123-23
	120-11		114-1		124-23
61472-94J00	40-13	61820-89L00-RB4	108-2		125-23
61472-94J10	35-13		109-2	63131-99J10-0EP	122-24
	36-13		110-2		123-24
	37-13		111-2		124-24
	38-13		112-2		125-24
	39-13		113-2	63133-89L00	122-25
	41-13	61827-89L00	114-2		123-25
	35-15		108-15		124-25
61493-94J00	36-15		109-15		125-25
	37-15		110-22	63210-89L10	122-6
	38-15		111-15		123-6
	39-15		112-22		124-6
	40-15		113-15		125-6
	41-15		114-15	63215-93110	122-31
61494-94J00	35-16	61827-94J01	110-15		123-31
	36-16		112-15		124-31
	37-16	61831-89L00-0EP	108-6		125-31
	38-16		109-6	63220-89L00	122-7
			110-6		123-7

PART NO.	FIG.NO.-REF.NO.	PART NO.	FIG.NO.-REF.NO.	PART NO.	FIG.NO.-REF.NO.
63225-93200	124-7	65831-95D00	123-26	67222-92E00	141-2
	125-7		124-26	67223-92E00	141-3
	122-9		125-26	67223-99E10	142-19
	123-9		126-4		143-19
	124-9		127-5		144-19
63225-94J00	125-9	65890-95D00	127-6		145-19
	122-8	65890-99100	126-5		146-19
	123-8	65892-95D00	126-6		147-19
	124-8		127-7		148-19
	125-8	67130-89L00	136-1	67224-92E00	141-9
63240-94J10	122-10		137-1	67226-92E00	141-15
	123-10		138-1	67226-92E10	141-16
	124-10		139-1	67227-92E00	141-24
63241-986B0	125-10	67140-95600	142-55	67228-92E00	141-18
	122-11		143-55	67229-95600	142-20
	123-11		145-55		143-20
	124-11		147-55		144-20
	125-11		148-55		145-20
63244-94J00	122-12	67200-93J13	140-1		146-20
	123-12		141-1		147-20
	124-12	67200-94J15	142-1		148-20
	125-12		143-1	67230-92E00	141-20
	122-14		144-1	67231-92E00	141-41
63610-89L00	123-14		145-1	67232-95600	141-42
	124-14		146-1		142-21
	125-14		147-1		143-21
	122-15		148-1		144-21
	123-15	67211-93J00	140-27		145-21
63610-89L10	124-15	67212-95600	142-14		146-21
	125-15		143-14		147-21
	127-1		144-14		148-21
	126-1		145-14	67232-95620	141-28
	127-2		146-14	67233-92E00	141-26
65520-95D00		147-14	67234-92E00	141-22	
65520-99100		148-14	67235-92E00	141-27	
65561-95D00		67213-92E00	142-15	67236-92E00	141-32
65700-87J15	127-3		143-15	67237-92E01	141-33
	127-8		144-15	67238-87D00	142-22
	65700-99JL0		145-15		143-22
	65720-986L0		146-15		144-22
	65740-95D01		147-15		145-22
65740-99100	126-7		148-15		146-22
	126-9		142-18		147-22
	127-9	67220-95630	143-18		148-22
	127-10		144-18	67238-92E00	141-34
	65750-98505		145-18	67239-92E00	141-35
65770-90J11		146-18	67239-92E10	141-45	
65770-99JL0		147-18	67240-92E00	141-17	
65781-98500		148-18	67241-92E10	141-43	
65781-99JM0		67221-92E00	141-8	67241-99E10	142-23
65793-89L00	122-26				

PART NO.	FIG.NO.-REF.NO.	PART NO.	FIG.NO.-REF.NO.	PART NO.	FIG.NO.-REF.NO.	
	143-23		143-29	67263-93J00	140-3	
	144-23		144-29	67264-95600	142-37	
	145-23		145-29		143-37	
	146-23		146-29		144-37	
	147-23		147-29		145-37	
67243-92E00	148-23	67255-99E00	148-29		146-37	
	141-44		142-30		147-37	
	67243-95600		142-24		148-37	
			143-24	67267-93J00	142-38	
			144-24		143-38	
	145-24		146-30		144-38	
	146-24		147-30		145-38	
	147-24		148-30		146-38	
	148-24		142-31		147-38	
	67244-95600		142-25	67256-95600	142-31	147-38
	143-25		143-31		148-38	
	143-25		144-31	67269-92E00	141-29	
	144-25		145-31	67271-92E00	140-26	
	145-25		146-31	67273-92E00	140-23	
	146-25		147-31	67273-95600	140-22	
	147-25		148-31		142-39	
	148-25		140-11		143-39	
	67245-92E00		67257-92E00	142-32	144-39	
	67245-95600		67257-99E00	143-32	145-39	
				144-32	146-39	
	144-26		145-32		147-39	
	145-26		146-32		148-39	
	146-26		147-32	67274-92E00	140-24	
	147-26		148-32	67275-95600	140-21	
	148-26		142-33		142-40	
	141-36		143-33		143-40	
	67246-92E00		140-12		144-40	
	67251-93J00		142-27		145-40	
	67251-99E10		143-27		146-40	
			144-27		147-40	
	145-27		148-33		148-40	
	146-27		67259-87D00	142-34	67281-93J00	140-17
	147-27			143-34	67286-92E00	141-19
	148-27			144-34	67287-92E00	140-20
	67252-92E10		141-39	145-34	67288-92E00	141-4
	67252-95600		142-28		142-41	
			143-28		143-41	
			144-28		144-41	
			145-28	67261-93J00	140-2	
			146-28	67261-99E00	142-35	
	147-28		143-35		147-41	
	148-28		144-35		148-41	
	67253-92E00		140-15	67288-92E10	141-6	
	67253-92E10		141-38	67288-92E20	140-7	
	67253-95600		141-40	67288-92E30	140-14	
	142-29	148-35	67288-92E40	140-10		

PART NO.	FIG.NO.-REF.NO.	PART NO.	FIG.NO.-REF.NO.	PART NO.	FIG.NO.-REF.NO.
67291-92E00	141-7		144-45		146-55-2
67291-92E10	141-37		145-45		147-59-2
67292-94300	141-5		146-45		148-59-2
	142-42		147-45	67320-93J20	142-59-3
	143-42		148-45		143-59-3
	144-42	67296-94310	142-36		144-55-3
	145-42		143-36		145-59-3
	146-42		144-36		146-55-3
	147-42		145-36		147-59-3
	148-42		146-36		148-59-3
67294-92E00	141-10		147-36	67320-93J30	142-59-4
67294-95600	142-43		148-36		143-59-4
	142-56	67296-95600	142-46		144-55-4
	143-43		143-46		145-59-4
	143-56		144-46		146-55-4
	144-43		145-46		147-59-4
	145-43		146-46	67320-93J40	148-59-4
	145-56		147-46		142-59-5
	146-43		148-46		143-59-5
	147-43	67296-95610	140-25		144-55-5
	147-56		142-47		145-59-5
	148-43		143-47		146-55-5
	148-56		144-47		147-59-5
67295-92E00	140-8		145-47		148-59-5
67295-92E10	140-5		146-47	67320-93J50	142-59-6
67296-88D10	140-6		147-47		143-59-6
	141-13		148-47		144-55-6
	141-30	67296-95620	142-57		145-59-6
67296-90J00	142-44		143-57		146-55-6
	143-44		145-57		147-59-6
	144-44		147-57		148-59-6
	145-44	67297-95600	148-57	67320-93J60	142-59-7
	146-44		142-48		143-59-7
	147-44		143-48		144-55-7
	148-44		144-48		145-59-7
67296-92E10	141-12		145-48		146-55-7
	142-17		146-48		147-59-7
	143-17		147-48		148-59-7
	144-17		148-48	67320-93J70	142-59-8
	145-17	67320-93J00	142-59-1		143-59-8
	146-17		143-59-1		144-55-8
	147-17		144-55-1		145-59-8
	148-17		145-59-1		146-55-8
67296-92E20	141-14		146-55-1		147-59-8
67296-92E30	140-18		147-59-1		148-59-8
67296-92E60	140-13		148-59-1	67320-93J80	142-59-9
67296-92E70	140-9	67320-93J10	142-59-2		143-59-9
	140-28		143-59-2		144-55-9
67296-94300	142-45		144-55-2		145-59-9
	143-45		145-59-2		146-55-9

PART NO.	FIG.NO.-REF.NO.	PART NO.	FIG.NO.-REF.NO.	PART NO.	FIG.NO.-REF.NO.
			147-59-9		148-12
			148-59-9	69711-93E10	35-12
67340-89L00			54-21		36-12
			56-21		37-12
			59-21		38-12
			136-22		39-12
			137-22		40-12
			138-22		41-12
			139-22	69911-91J00	96-25
			42-11	69911-91J40	91-25
67467-89J01			43-11		92-25
			44-11		93-25
			54-18		94-25
			56-18		95-25
			59-18		97-25
			136-23		
			137-23		
			138-23	90000	
			139-23		
67500-93J00			140-29		
67701-99J01			151-2	99000-81158-50M	35-8
			152-2		36-8
67721-89J00			151-3		37-8
			152-3		38-8
67725-99J00			151-4		39-8
			152-4		40-8
67726-99E00			151-5		41-8
			152-5		115-13
67728-99E00			151-6	99011-89L01-055	116-13
			152-6		117-13
68110-89L00			115-14		118-13
			116-14		119-13
			117-14		120-13
			118-14		121-13
			119-14		
			120-14		85-16
			121-14		86-20
68111-89L00			115-7		86-21
			116-7		87-15
			117-7		87-16
			118-7	01547-06167	54-22
			119-7		56-22
			120-7		59-22
			121-7		84-4
68165-16B00-13L			142-12		86-4
			143-12		88-4
			144-12		89-4
			145-12		129-17
			146-12		136-33
			147-12		137-33
					138-34
					139-34

PART NO.	FIG.NO.-REF.NO.	PART NO.	FIG.NO.-REF.NO.	PART NO.	FIG.NO.-REF.NO.
01550-06167	20-20		40-11		37-9
	21-20		41-11		38-9
	22-20		45-9		39-9
	23-20		46-7		40-9
	24-20		47-9		41-9
	25-20		48-7		70-12
	26-20		49-9		71-12
	42-10		50-9		72-12
	43-10		51-7		73-12
	44-10		52-7		74-12
63-10		70-7		75-12	
64-10		71-7		76-12	
65-10		72-7	01550-06357	2-2	
66-10		73-7		4-14	
67-10		74-7	01550-06507	19-9	
68-10		75-7	01550-08207	1-9	
69-10		76-7		2-7	
70-8		77-15		62-22	
71-8		78-14		128-5	
72-8		79-15	01550-08257	62-23	
73-8		80-14	01550-08407	12-3	
74-8		81-15		13-3	
75-8		82-15		14-3	
76-8		83-14		15-3	
77-9		128-6		16-3	
78-8		129-9		17-3	
79-9	01550-06257	4-13		18-3	
80-8		20-11	01560-08307	105-15	
81-9		20-22	01560-08757	2-3	
82-9		21-11	02122-04127	4-15	
83-8		21-22	02122-0630A	52-14	
129-8		22-11	02142-06167	108-16	
136-35		22-22		109-16	
137-35		23-11		110-16	
138-35		23-22		111-16	
139-35		24-11		112-16	
01550-06207	1-15	24-22		113-16	
	20-21	25-11		114-16	
	21-21	25-22	02142-06207	53-19	
	22-21	26-11		54-17	
	23-21	26-22		55-19	
	24-21	53-18		56-17	
	25-21	54-16		57-19	
	26-21	55-18		58-19	
	34-3	56-16		59-17	
	35-11	57-18	02162-05127	63-3	
	36-11	58-18		64-3	
	37-11	59-16		65-3	
	38-11	35-9	01550-06307	66-3	
	39-11	36-9		67-3	

PART NO.	FIG.NO.-REF.NO.	PART NO.	FIG.NO.-REF.NO.	PART NO.	FIG.NO.-REF.NO.
	68-3		65-7		139-24
03112-06303	69-3		66-7	09111-10067	98-26
	130-36		67-7		99-26
	131-36		68-7		100-26
	132-36		69-7		101-26
03121-0516A	133-22	09100-06178	91-9		102-26
	134-22		92-9		103-26
	135-22		93-9		104-26
03141-0416A	27-12		94-9	09116-06196	70-3
	28-12		95-9		71-3
	29-12		96-9		72-3
	30-12		97-9		73-3
	31-12	09100-08232	98-23		74-3
	32-12		99-23		75-3
	33-12		100-23		76-3
03542-05169	115-3		101-23	09116-06202	12-7
	116-3		102-23		13-7
	117-3		103-23		14-7
	118-3		104-23		15-7
	119-3		142-2		16-9
	120-3		143-2		17-9
03542-06209	121-3		144-2		18-9
	20-23		145-2		20-12
	21-23		146-2		21-12
	22-23		147-2		22-12
	23-23		148-2		23-12
	24-23	09100-08311	91-15		24-12
	25-23		92-15		25-12
	26-23		93-15		26-12
04211-09149	4-12		94-15	09116-06225	98-35
04211-11129	1-12		95-15		99-32
	2-4		96-15		100-35
04221-05109	12-4		97-15		101-32
	13-4	09103-06237	126-14		102-35
	14-4	09103-06267	4-7		103-35
	15-4	09103-06281	1-8		104-32
	16-4		107-7		122-27
	17-4	09108-06141	27-14		123-27
	18-4		28-14		124-27
08110-60020	61-2		29-14		125-27
08110-60050	107-11		30-14		136-25
08316-10087	62-24		31-14		137-25
08322-0106A	63-11		32-14		138-25
	65-11		33-14		139-25
	67-11	09108-08286	99-29	09116-06227	107-14
	68-11		101-29	09116-06229	61-24
08341-31039	4-9		104-29	09116-06234	53-9
	4-10		136-24		55-9
	63-7		137-24		57-9
	64-7		138-24		58-9

PART NO.	FIG.NO.-REF.NO.	PART NO.	FIG.NO.-REF.NO.	PART NO.	FIG.NO.-REF.NO.
09116-08137	105-13		114-8		93-8
09116-08151	105-3	09136-06169	108-3		94-8
	106-6		109-3		95-8
	107-5		110-3		96-8
	122-16		111-3		97-8
	123-16		112-3		136-27
	124-16		113-3		137-27
09116-08154	125-16	09140-05005	114-3		138-27
	106-15		140-32		139-27
09116-08155	122-28	09140-06020	141-31	09160-05024	140-19
	123-28		142-50	09160-05029	54-11
	124-28		143-50		56-11
	125-28		144-50		59-11
09119-08L01	1-4		145-50		136-28
09119-08L02	1-3		146-50		137-28
09125-05042	122-29		147-50		138-28
	123-29	09140-08023-XC0	148-50		139-28
	124-29		91-16	09160-06046	140-31
	125-29		92-16		42-8
	141-21		93-16		43-8
	142-16		94-16		44-8
	143-16		95-16		53-10
	144-16		96-16		54-10
	145-16		97-16		55-10
	146-16	09140-10031	105-14		56-10
	147-16	09140-14008	63-5		57-10
	148-16		64-5		58-10
09125-05135	140-30		65-5		59-10
09126-05003	142-49		66-5		136-29
	143-49		67-5		137-29
	144-49		68-5	09160-06055	138-29
	145-49		69-5		139-29
	146-49	09141-12005	107-18		42-12
	147-49	09148-06008	122-13		43-12
	148-49		123-13		44-12
09126-06006	141-25		124-13		54-19
09126-06015	122-17		125-13		56-19
	123-17	09159-08059	99-30		59-19
	124-17		101-30		136-30
	125-17		104-30		137-30
09136-05041	122-18		136-26		138-30
	123-18		137-26		139-30
	124-18		138-26	09160-06082	27-15
	125-18		139-26		28-15
09136-06168	108-8	09159-08L02	98-36		29-15
	109-8		100-36		30-15
	110-8		102-36		31-15
	111-8		103-36		32-15
	112-8	09159-22006	91-8		33-15
	113-8		92-8		60-8

PART NO.	FIG.NO.-REF.NO.	PART NO.	FIG.NO.-REF.NO.	PART NO.	FIG.NO.-REF.NO.
	91-10		104-28		104-5
	92-10		136-20	09161-04012	108-12
	93-10		137-20		109-12
	94-10		138-20		110-12
	95-10		139-20		111-12
	96-10	09160-08170	91-23		112-12
	97-10		92-23		113-12
	98-17		93-23		114-12
	99-17		94-23	09161-08019	98-37
	100-17		95-23		100-37
	101-17		96-23		102-37
	102-17		97-23		103-37
	103-17	09160-12066	107-19	09163-06001	122-19
	104-17	09160-15057	63-6		123-19
09160-06085	126-15		64-6		124-19
09160-06094	53-11		65-6		125-19
	55-11		66-6	09164-14008	53-12
	57-11		67-6		55-12
	58-11		68-6		57-12
09160-06104	142-51		69-6		58-12
	143-51	09160-17024	61-11-1	09168-12017	106-8
	144-51	09160-17025	61-11-3	09169-06062	12-6
	145-51	09160-17026	61-11-5		13-6
	146-51	09160-17027	61-11-7		14-6
	147-51	09160-17028	61-11-9		15-6
	148-51	09160-17039	61-11-2		16-8
09160-06160	4-8	09160-17040	61-11-4		17-8
09160-06168	70-17	09160-17041	61-11-6		18-8
	71-17	09160-17042	61-11-8		20-13
	72-17	09160-20027	61-4		21-13
	73-17	09160-20042	61-5-2		22-13
	74-17	09160-20043	61-5-3		23-13
	75-17	09160-20044	61-5-4		24-13
	76-17	09160-21009	61-6		25-13
09160-08081	91-17	09160-25040	61-12-4		26-13
	92-17	09160-25041	61-12-5	09169-06063	70-5
	93-17	09160-25042	61-12-6		71-5
	94-17	09160-27012	98-8		72-5
	95-17		99-8		73-5
	96-17		100-8		74-5
	97-17		101-8		75-5
09160-08082	98-22		102-8		76-5
	99-22		103-8	09180-06186	53-13
	99-28		104-8		55-13
	100-22	09160-27013	98-5		57-13
	101-22		99-5		58-13
	101-28		100-5	09180-06362	53-14
	102-22		101-5		54-12
	103-22		102-5		55-14
	104-22		103-5		56-12

PART NO.	FIG.NO.-REF.NO.	PART NO.	FIG.NO.-REF.NO.	PART NO.	FIG.NO.-REF.NO.
09180-06366	57-14		59-8		55-15
	58-14		98-13		56-13
	59-12		99-13		57-15
	91-11		100-13		58-15
	92-11		101-13		59-13
	93-11		102-13	09262-25003	107-3
	94-11		103-13	09263-17L03	107-2
	95-11		104-13	09263-20L04	61-7
	96-11		136-19	09280-06012	60-9
	97-11		137-19	09280-09008	52-11
09181-15241	61-13		138-19	09280-09012	60-10
09181-20244	61-5-5		139-19	09280-13004	52-4
09181-20246	61-5-6	09204-02004	107-20	09280-17003	1-11
09181-20248	61-5-7	09205-02004	60-4	09280-22019	1-6
09181-20251	61-5-1	09205-06007	91-6	09280-26005	20-39
09181-25160	61-12-1		92-6		21-39
09181-25162	61-12-2		93-6		22-39
09181-25164	61-12-3		94-6		23-39
09181-25181	61-12-7		95-6		24-39
09200-05014	98-18		96-6		25-39
	99-18		97-6		26-39
	100-18	09229-04005	108-20	09280-54001	52-5
	101-18		109-20	09280-57002	107-12
	102-18		110-20	09282-12L04	105-5
	103-18		111-20	09282-13L01	61-22
09200-06061	104-18		112-20	09282-27002	98-6
	98-16		113-20		99-6
	99-16		114-20		100-6
	100-16	09248-08001	107-9		101-6
	101-16	09248-12009	106-9		102-6
	102-16	09250-12006	122-30		103-6
09202-04008	103-16		123-30	09283-25096	5-2
	104-16		124-30		6-2
	27-17		125-30		7-2
	28-17	09251-05006	20-14		8-2
	29-17		21-14		9-2
	30-17		22-14		10-2
	31-17		23-14		11-2
	32-17		24-14		3-9
	33-17		25-14	09283-32039	5-14
09202-04025	61-16		26-14	09289-05012	6-14
09202-06023	105-4	09251-09007	108-19		7-14
	106-7		109-19		8-14
	107-4		110-19		9-14
09204-01002	53-8		111-19		10-14
	54-8		112-19		11-14
	55-8		113-19		60-11
	56-8		114-19	09289-06L02	107-13
	57-8	09260-12003	53-15	09289-17L02	91-14
	58-8		54-13	09306-22006	

PART NO.	FIG.NO.-REF.NO.	PART NO.	FIG.NO.-REF.NO.	PART NO.	FIG.NO.-REF.NO.
	92-14	09381-16001	3-4	09401-13423	20-41
	93-14	09385-04003	108-21		21-41
	94-14		109-21		22-41
	95-14		110-21		23-41
	96-14		111-21		24-41
	97-14		112-21		25-41
09320-08051	70-6		113-21		26-41
	71-6		114-21	09403-08404	84-16
	72-6	09385-06012	42-13		85-11
	73-6		43-13		86-16
	74-6		44-13		87-11
	75-6		54-20		88-16
	76-6		56-20		89-16
09320-08062	19-7		59-20		90-11
09320-09052	12-10		136-31	09403-11320	20-42
	13-10		137-31		21-42
	14-10		138-31		22-42
	15-10		139-31		23-42
	16-12	09401-08412	20-18		24-42
	17-12		21-18		25-42
	18-12		22-18		26-42
	20-15		23-18	09403-12406	45-7
	21-15		24-18		47-7
	22-15		25-18		49-7
	23-15		26-18		50-7
	24-15	09401-08413	34-6	09403-12415	35-14
	25-15	09401-10412	20-19		36-14
	26-15		21-19		37-14
09320-11017	108-7		22-19		38-14
	109-7		23-19		39-14
	110-7		24-19		40-14
	111-7		25-19		41-14
	112-7		26-19	09407-08401	133-8
	113-7	09401-11423	20-34		133-24
	114-7		20-40		134-8
09321-08022	20-16		21-34		134-24
	21-16		21-40		135-8
	22-16		22-34		135-24
	23-16		22-40	09407-14403	84-2
	24-16		23-34		86-2
	25-16		23-40		88-2
	26-16		24-34		89-2
09352-50823-600	20-17		24-40		128-14
	21-17		25-34		129-16
	22-17		25-40	09407-14407	63-8-1
	23-17		26-34		63-8-2
	24-17		26-40		64-8
	25-17	09401-11425	19-8		65-8-1
	26-17	09401-12413	1-17		65-8-2
09380-15001	61-3		105-16		66-8

SUZUKI DF9.9B/15A/20A PARTS CATALOGUE

SUZUKI MOTOR CORPORATION All rights reserved

No part of this document may be reproduced or transmitted in any form or by any means, electronic or mechanical, for any purpose, without the express written permission of Suzuki Motor Corporation.

SUZUKI MOTOR CORPORATION

Technical Readiness Group, Quality Administration Department
300 Takatsuka, Minami, Hamamatsu, Japan

Reprint Prohibited

SUZUKI MOTOR CORPORATION