

# SUZUKI

PARTS CATALOGUE

# DF25

DF25  
DF25R  
DF25Q  
(V2)



**OUTBOARD MOTOR**

E01

2012-11

1<sup>ST</sup> EDITION

## PREFACE

When it becomes necessary to replace parts on SUZUKI OUTBOARD MOTORS, always use SUZUKI GENUINE PARTS which have passed a strict inspection which guarantees quality and performance.

This parts catalogue covers the list of all service parts for SUZUKI DF25 production start 2012.

### INSTRUCTIONS FOR QUOTING THE CATALOGUE

#### 1. DIMENSIONS

Dimensions of the parts in this catalogue are indicated in unit millimeters.

#### 2. ABBREVIATIONS

Abbreviations used in this catalogue are as follows:

AR	: As required	NT	: Number of teeth
ASSY	: Assembly	OPT	: Optional
E. NO.	: Engine number	OS	: Over size
F. NO.	: Frame number	STD	: Standard
D	: Diameter of material	T	: Thickness
ID	: Inside diameter	US	: Under size
OD	: Outside diameter	W	: Width
L	: Length	W/	: With
LH(PORT)	: Left hand side	S, L	: Transom type
RH(STBD)	: Right hand side	SUS	: Stainless steel
~031234	: Up to E.No. 02502F-031234	PTT	: Power trim and tilt
031234~	: From E.No. 02502F-031234		

$\frac{12}{|} \times \frac{34}{|} \times \frac{5.6}{|}$ ..... Figures in the description column

show the dimensions of parts.

ID OD T(or W, L)

→12345-56781 (Parts No.) : indicates that the parts number was changed to 12345-56781 and the new parts are interchangeable with the former ones but the former ones are not interchangeable with new ones.

←12345-56781 (Parts No.) : indicates that the former and new parts are interchangeable with each other and both are usable.

#### 3. INNER PARTS OF ASSEMBLY

Part name with a dot (.) in front as shown in the description column indicates the component of the assembly also available individually.

#### 4. MODIFICATION NOTICE

A parts bulletin will be sent to you on all occasions when changes in parts occur, including interchangeable modifications between new parts and old ones.

#### 5. NOTE

5-1. There are some different parts from those of production models among spare parts for the administrative reasons and common use of them with other models.

5-2. In respect of rubber hoses and vinyl tubes, please be sure to use them by cutting off according to the length mentioned on parts catalogue or what is actually required on the vehicle.

5-3. Note that the drawings on the illustration page are for ready reference of spare parts number, not to be used as an assembly manual. When assembling, use "SUZUKI SERVICE MANUAL".

#### 6. MODEL NAME AND ENGINE NUMBER

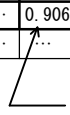
MODEL	DESTINATION	TYPE	TRANSOM	ENGINE No.
DF25	E01	02503F	S, L	02503F-310001~
DF25R	E01	02503F	S, L	02503F-310001~
DF25Q	E01	02503F	S, L	02503F-310001~

MILLIMETER → INCH CONVERSION CHART

	0	1	2	3	4	5	6	7	8	9
00	.000	.039	.079	.118	.157	.197	.236	.276	.315	.354
10	.394	.433	.472	.512	.551	.591	.630	.669	.709	.748
20	.787	.827	.866	.906	.945	.984	1.024	1.063	1.102	1.142
30	1.181	1.220	1.260	1.299	1.339	1.378	1.417	1.457	1.496	1.535
40	1.575	1.614	1.654	1.693	1.732	1.772	1.811	1.850	1.890	1.929
50	1.969	2.008	2.047	2.087	2.126	2.165	2.205	2.214	2.283	2.323
60	2.362	2.402	2.441	2.480	2.520	2.559	2.598	2.638	2.677	2.717
70	2.756	2.795	2.835	2.874	2.913	2.953	2.992	3.031	3.071	3.110
80	3.150	3.189	3.228	3.268	3.307	3.346	3.386	3.425	3.465	3.504
90	3.543	3.583	3.622	3.661	3.701	3.740	3.780	3.819	3.858	3.898

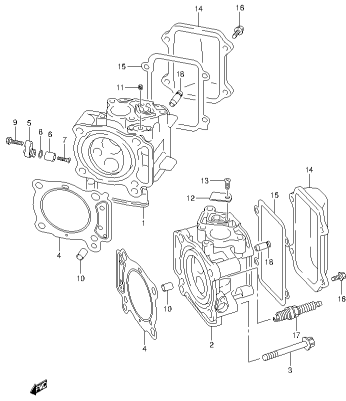
How to read

	0	1	2	3	4
00	...	...	...	...	...
10	...	...	...	...	...
20	...	...	...	0.906	...
30	...	...	...	...	...


 23 millimeters equal 0.906 inch

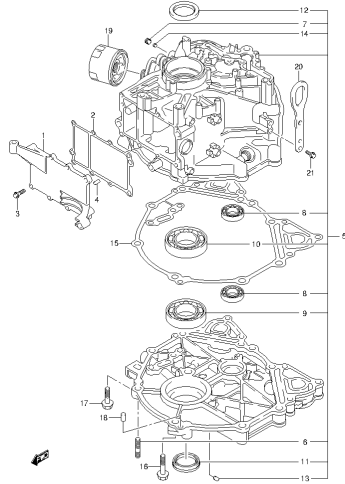
Contents are subject to change without notice or obligation.

FIG.1



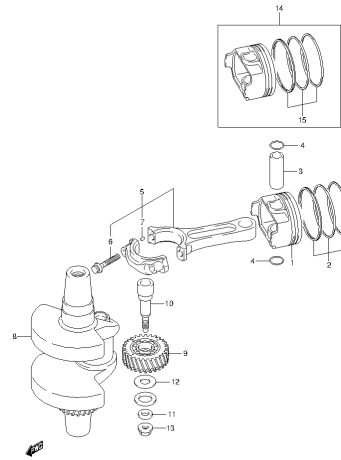
DF25\_E01\_013\_001  
CYLINDER HEAD

FIG.2



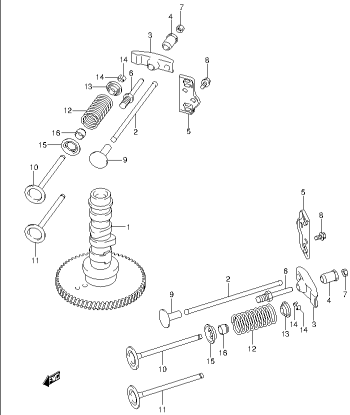
DF25\_E01\_013\_002  
CYLINDER BLOCK

FIG.3



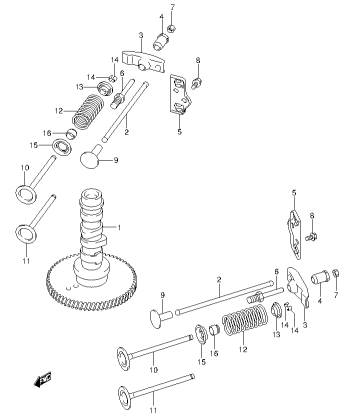
DF25\_E01\_013\_003  
CRANKSHAFT

FIG.4



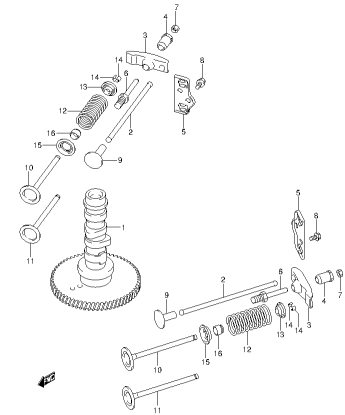
DF25\_E01\_013\_004  
CAMSHAFT

FIG.5



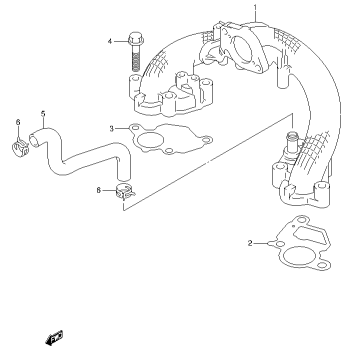
DF25\_E01\_013\_005  
CAMSHAFT

FIG.6



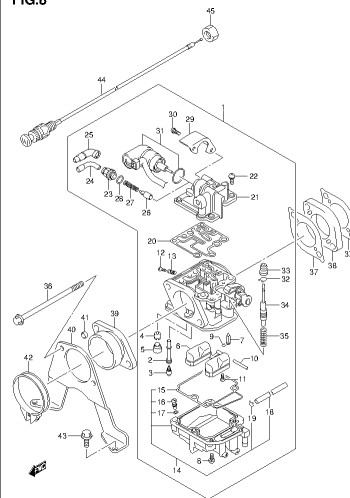
DF25\_E01\_013\_006  
CAMSHAFT

FIG.7



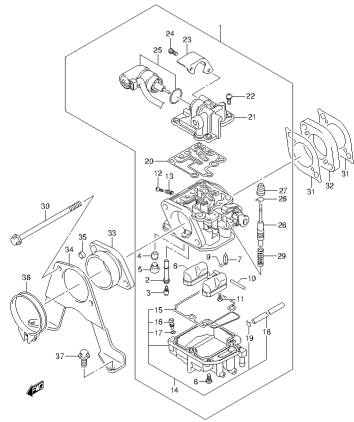
DF25\_E01\_013\_007  
INTAKE MANIFOLD

FIG.8



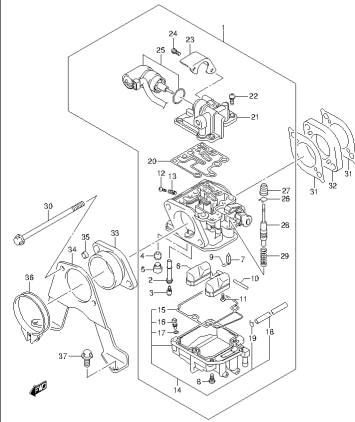
DF25\_E01\_013\_008  
CARBURETOR

FIG.9



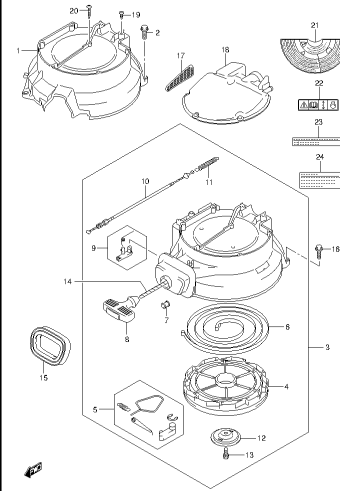
DF25\_E01\_013\_009  
CARBURETOR

FIG.10



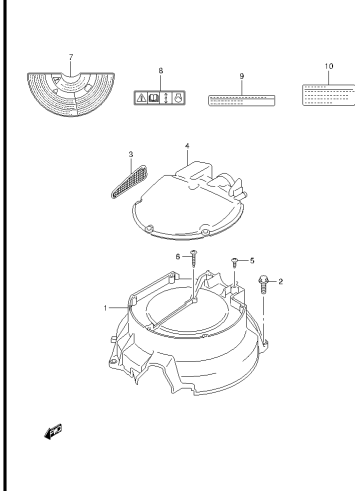
DF25\_E01\_013\_010  
CARBURETOR

FIG.11



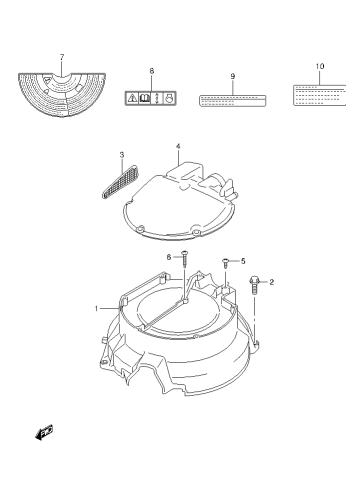
DF25\_E01\_013\_011  
MAGNETO COVER/LEAKER

FIG.12



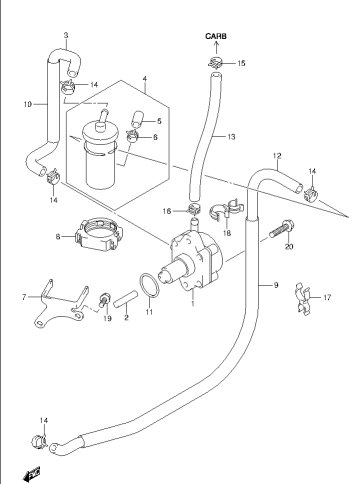
DF25\_E01\_013\_012  
MAGNETO COVER/LEAKER

FIG.13



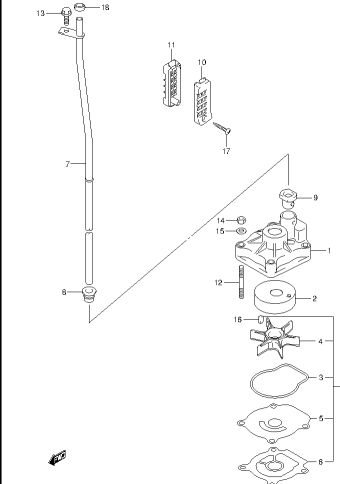
DF25\_E01\_013\_013  
MAGNETO COVER/LEAKER

FIG.14



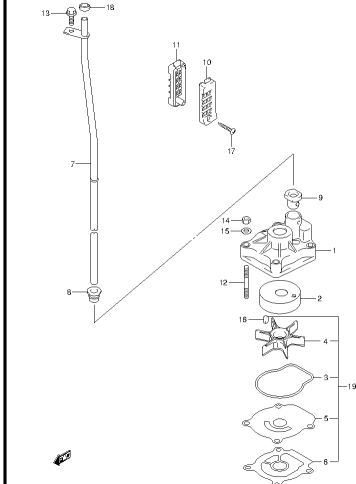
DF25\_E01\_013\_014  
FUEL PUMP

FIG.15

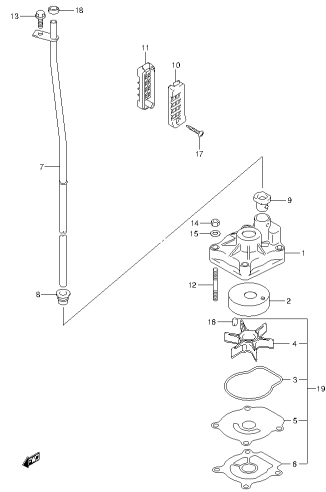


DF25\_E01\_013\_015  
WATER PUMP

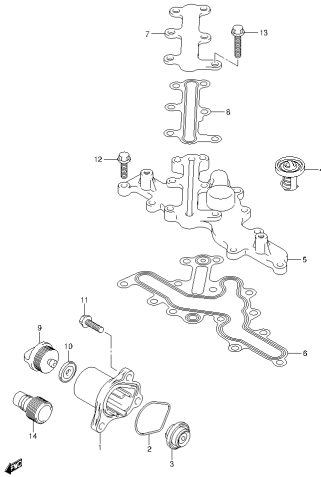
FIG.16



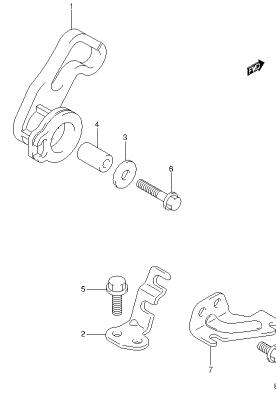
DF25\_E01\_013\_016  
WATER PUMP

**FIG.17**

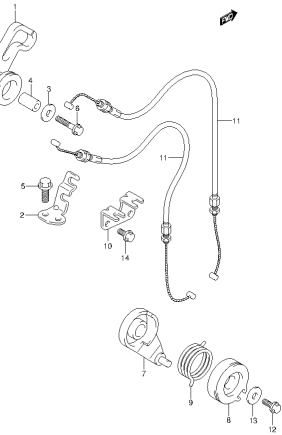
DF25\_E01\_015\_017  
WATER PUMP

**FIG.18**

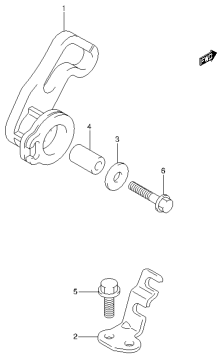
DF25\_E01\_015\_018  
THERMOSTAT

**FIG.19**

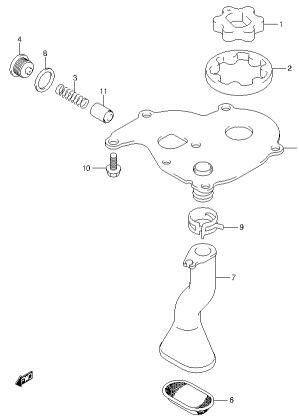
DF25\_E01\_013\_019  
THROTTLE CONTROL

**FIG.20**

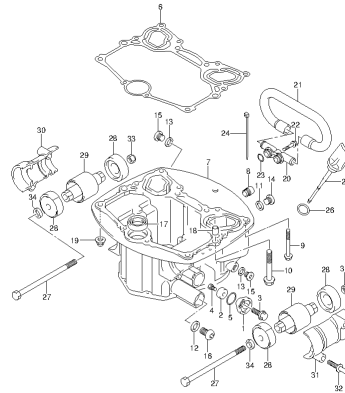
DF25\_E01\_013\_020  
THROTTLE CONTROL

**FIG.21**

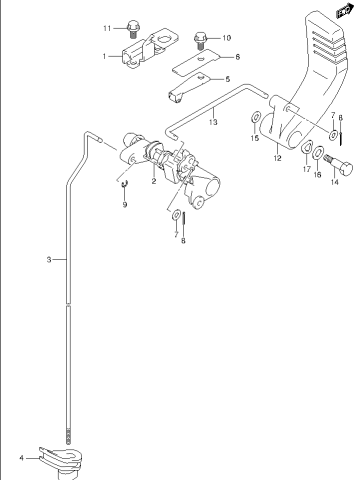
DF25\_E01\_013\_021  
THROTTLE CONTROL

**FIG.22**

DF25\_E01\_013\_022  
OIL PUMP

**FIG.23**

DF25\_E01\_013\_023  
OIL PAN

**FIG.24**

DF25\_E01\_013\_024  
CLUTCH SHAFT

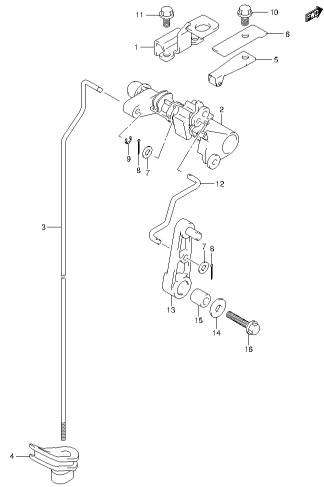
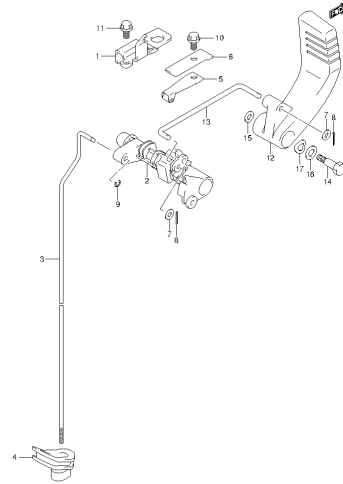
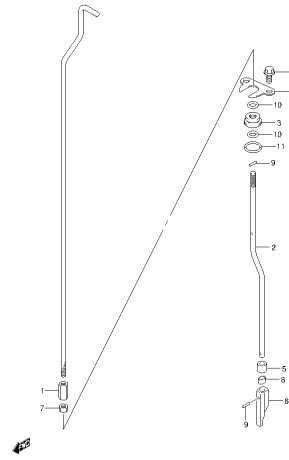
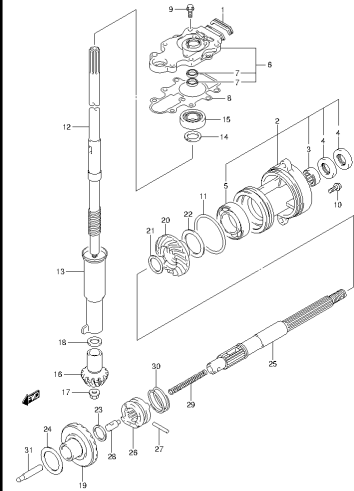
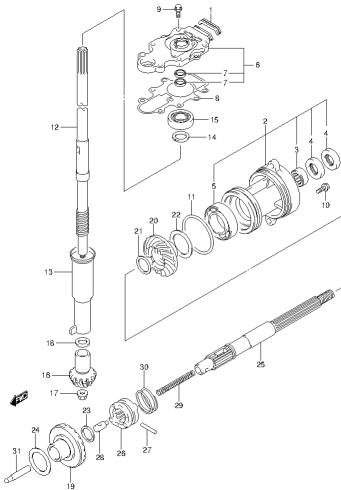
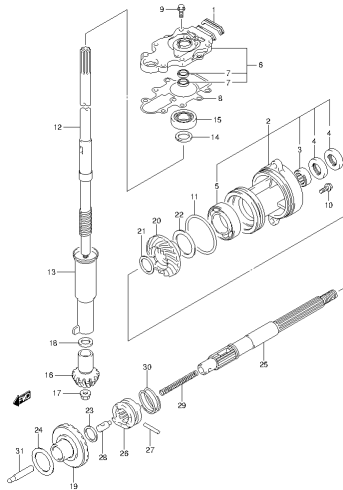
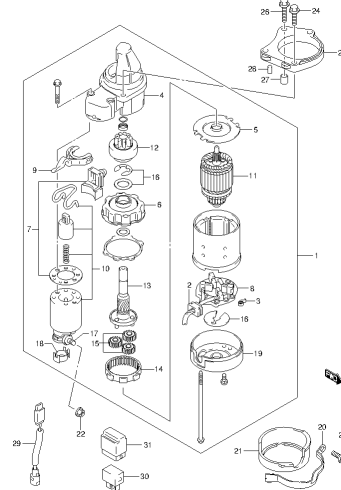
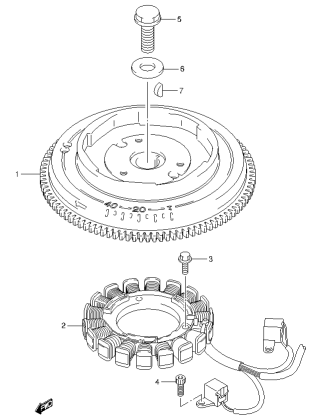
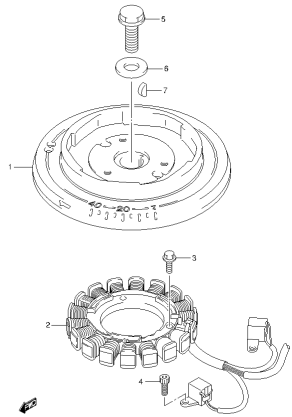
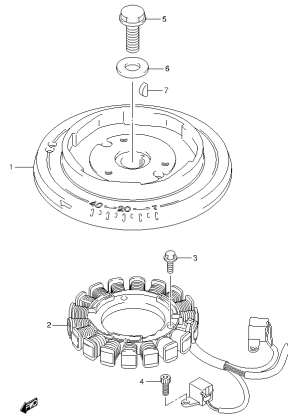
**FIG.25**DF25\_E01\_013\_005  
CLUTCH SHAFT**FIG.26**DF25\_E01\_013\_006  
CLUTCH SHAFT**FIG.27**DF25\_E01\_013\_007  
CLUTCH ROD**FIG.28**DF25\_E01\_013\_008  
TRANSMISSION**FIG.29**DF25\_E01\_013\_009  
TRANSMISSION**FIG.30**DF25\_E01\_013\_030  
TRANSMISSION**FIG.31**DF25\_E01\_013\_031  
STARTING MOTOR**FIG.32**DF25\_E01\_013\_032  
MAGNETO

FIG.33



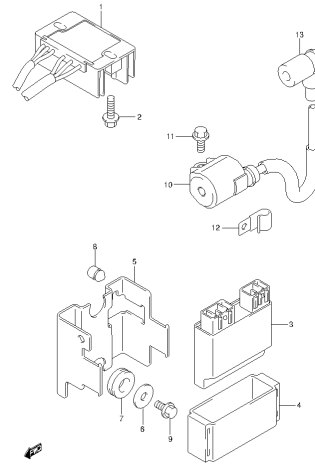
DF25\_E01\_013\_003  
MAGNETO

FIG.34



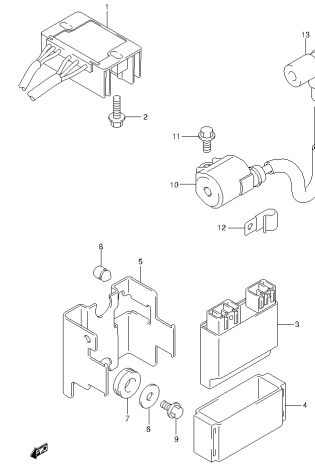
DF25\_E01\_013\_004  
MAGNETO

FIG.35



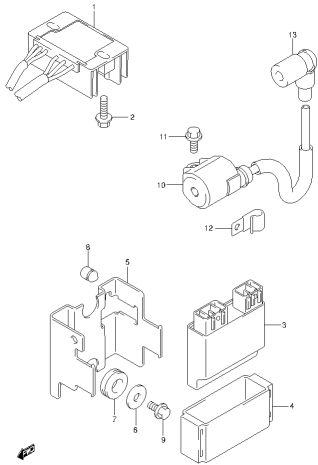
DF25\_E01\_013\_005  
RECTIFIER/IGNITION COIL

FIG.36



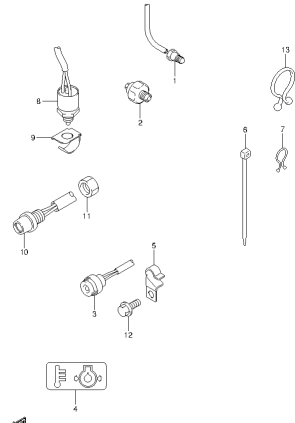
DF25\_E01\_013\_006  
RECTIFIER/IGNITION COIL

FIG.37



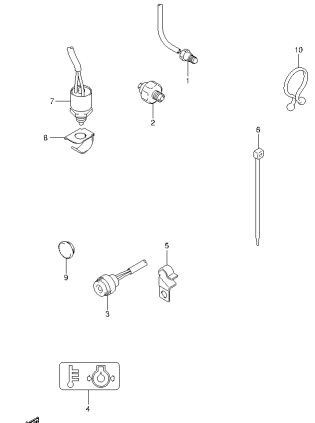
DF25\_E01\_013\_007  
RECTIFIER/IGNITION COIL

FIG.38



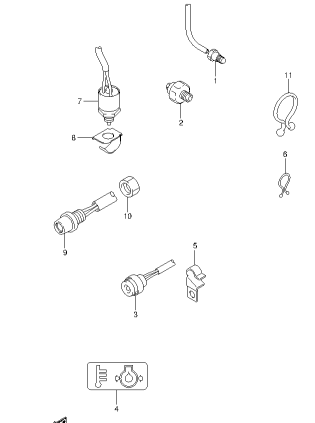
DF25\_E01\_013\_008  
SENSOR SWITCH

FIG.39



DF25\_E01\_013\_009  
SENSOR SWITCH

FIG.40



DF25\_E01\_013\_040  
SENSOR SWITCH



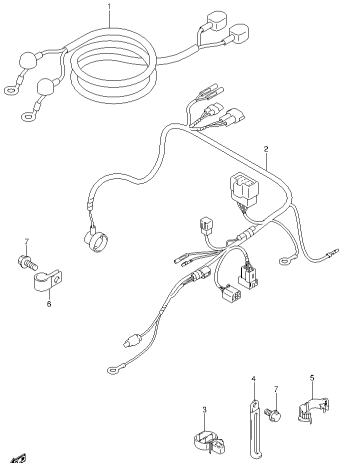
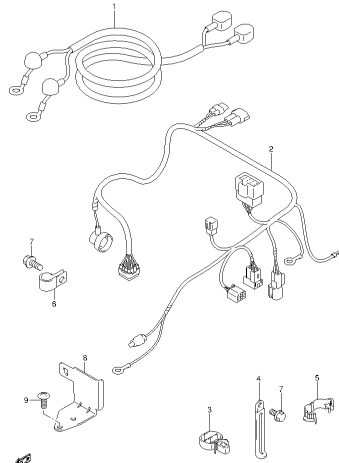
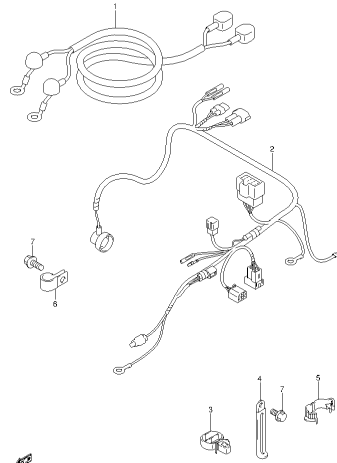
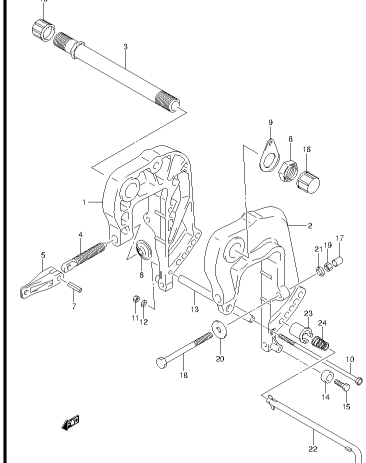
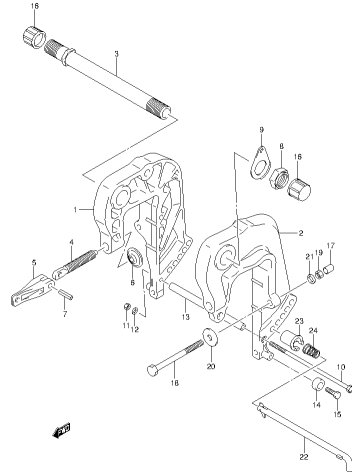
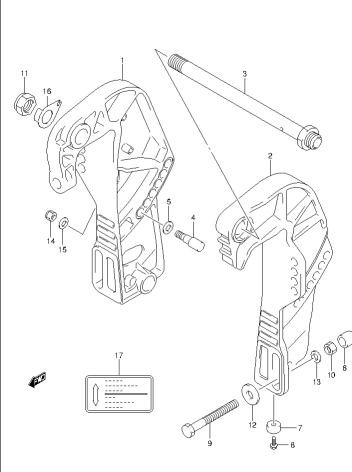
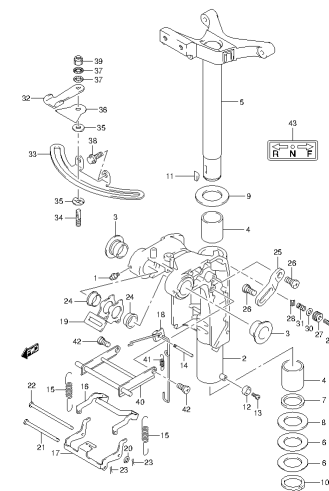
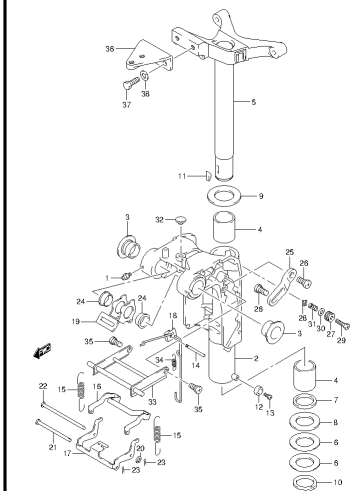
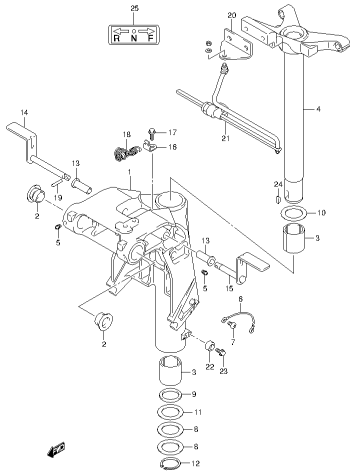
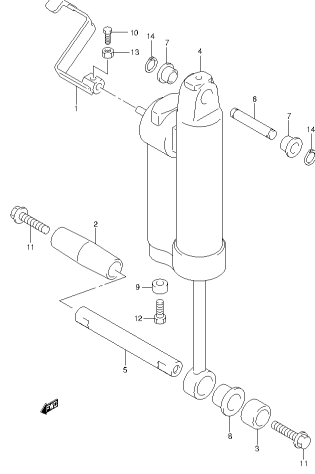
**FIG.41**DF25\_E01\_013\_041  
HARNES**FIG.42**DF25\_E01\_013\_042  
HARNES**FIG.43**DF25\_E01\_013\_043  
HARNES**FIG.44**DF25\_E01\_013\_044  
CLAMP BRACKET**FIG.45**DF25\_E01\_013\_045  
CLAMP BRACKET**FIG.46**DF25\_E01\_013\_046  
CLAMP BRACKET**FIG.47**DF25\_E01\_013\_047  
SWIVEL BRACKET**FIG.48**DF25\_E01\_013\_048  
SWIVEL BRACKET

FIG.49



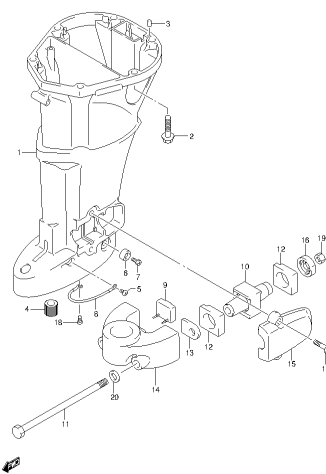
DF25\_E01\_013\_049  
SWIVEL BRACKET

FIG.50



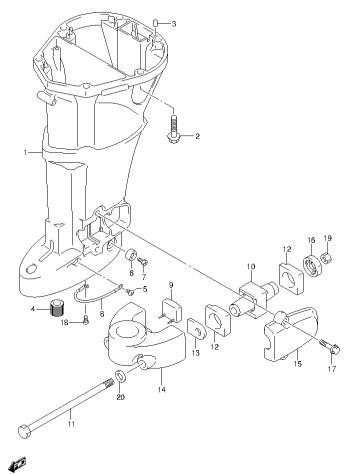
DF25\_E01\_013\_050  
GAS CYLINDER

FIG.51



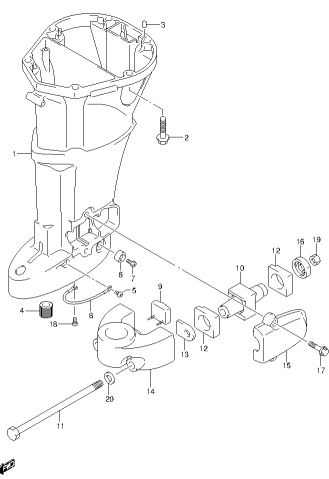
DF25\_E01\_013\_051  
DRIVE SHAFT HOUSING

FIG.52



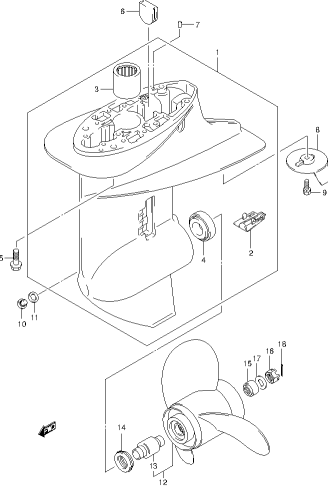
DF25\_E01\_013\_052  
DRIVE SHAFT HOUSING

FIG.53



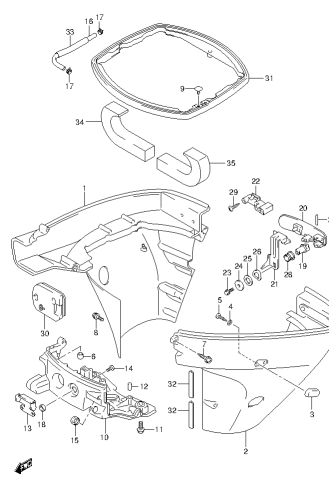
DF25\_E01\_013\_053  
DRIVE SHAFT HOUSING

FIG.54



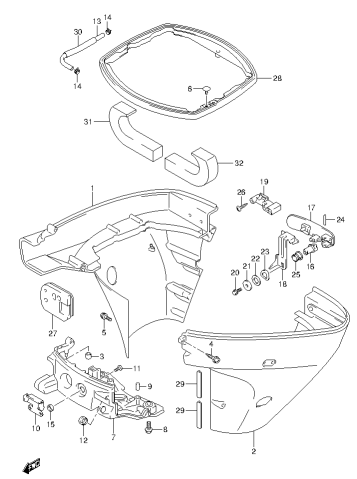
DF25\_E01\_013\_054  
GEAR CASE

FIG.55



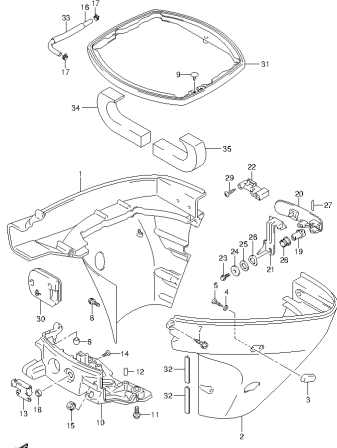
DF25\_E01\_013\_055  
SIDE COVER

FIG.56



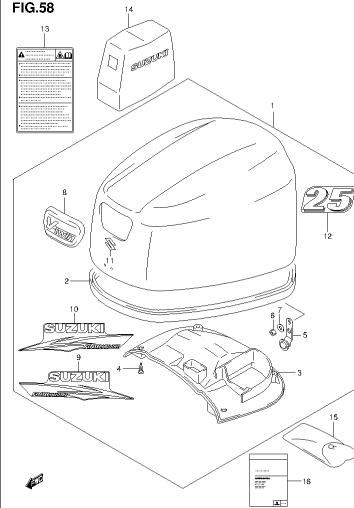
DF25\_E01\_013\_056  
SIDE COVER

FIG.57



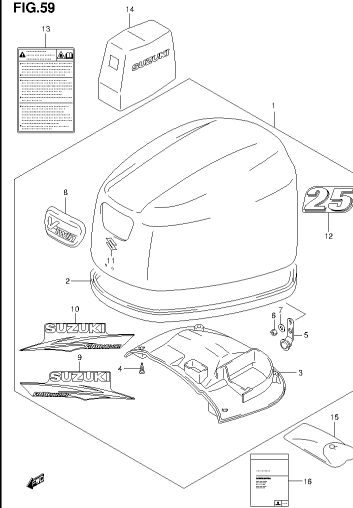
DF25\_E01\_013\_067  
SIDE COVER

FIG.58



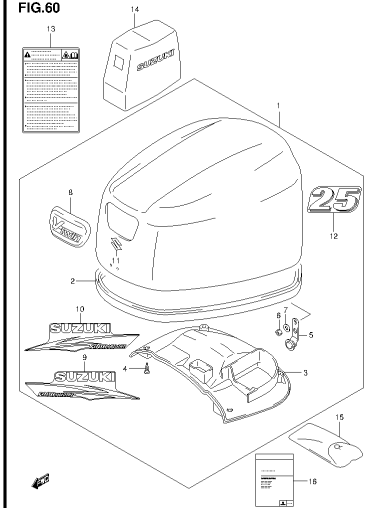
DF25\_E01\_013\_068  
ENGINE COVER

FIG.59



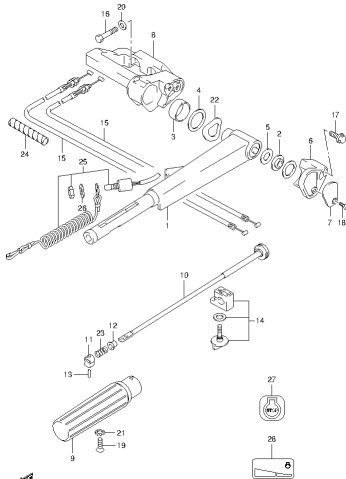
DF25\_E01\_013\_069  
ENGINE COVER

FIG.60



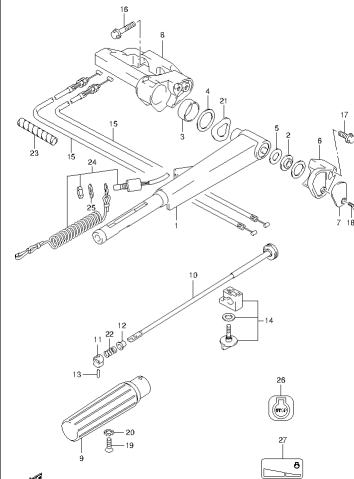
DF25\_E01\_013\_060  
ENGINE COVER

FIG.61



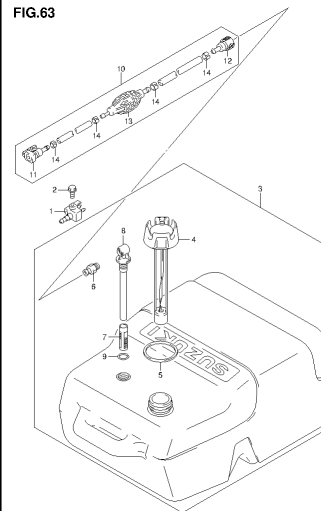
DF25\_E01\_013\_081  
TILLER HANDLE

FIG.62



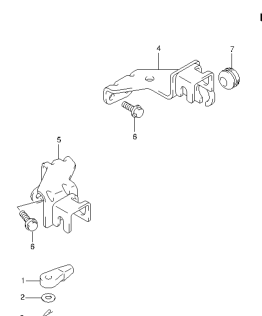
DF25\_E01\_013\_082  
TILLER HANDLE

FIG.63



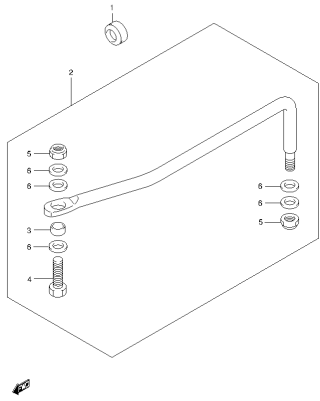
DF25\_E01\_013\_083  
FUEL TANK

FIG.64



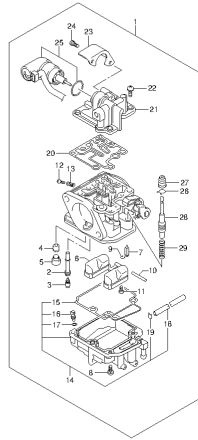
DF25\_E01\_013\_084  
REMOCOM CABLE

FIG.65



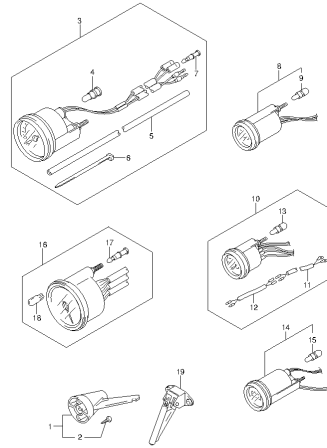
DF25\_E01\_013\_065  
DRAG LINK

FIG.66



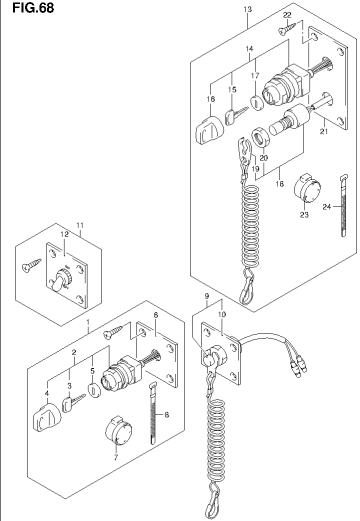
DF25\_E01\_013\_066  
OPT. CARBURETOR

FIG.67



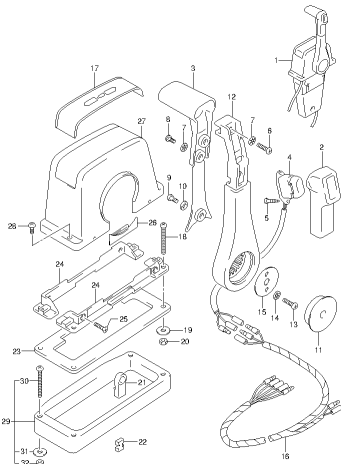
DF25\_E01\_013\_067  
OPT. METER

FIG.68



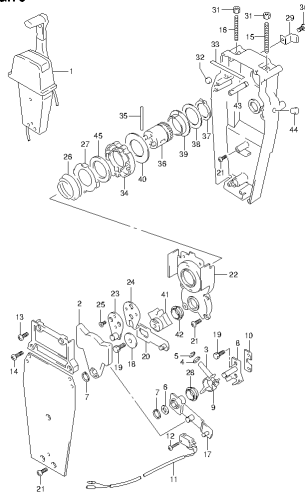
DF25\_E01\_013\_068  
OPT. SWITCH

FIG.69



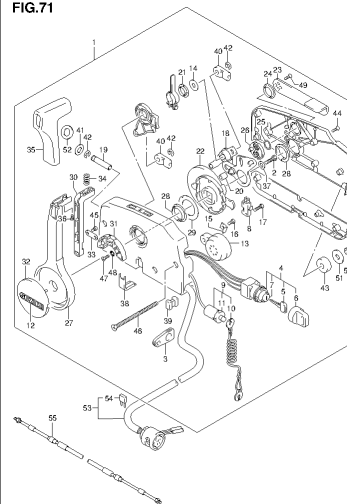
DF25\_E01\_013\_069  
OPT. REMOTE CONTROL ASSY SINGLE (1)

FIG.70



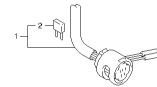
DF25\_E01\_013\_070  
OPT. REMOTE CONTROL ASSY SINGLE (2)

FIG.71



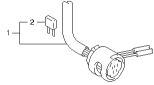
DF25\_E01\_013\_071  
OPT. REMOTE CONTROL

FIG.72



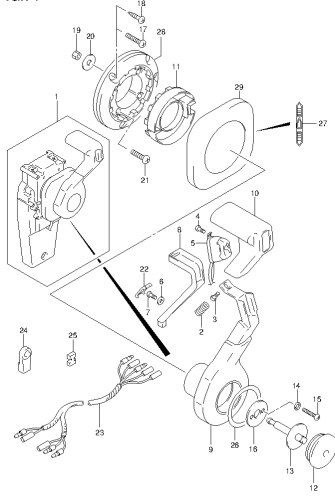
DF25\_E01\_013\_072  
OPT. REMOCCN. CABLE

FIG.73



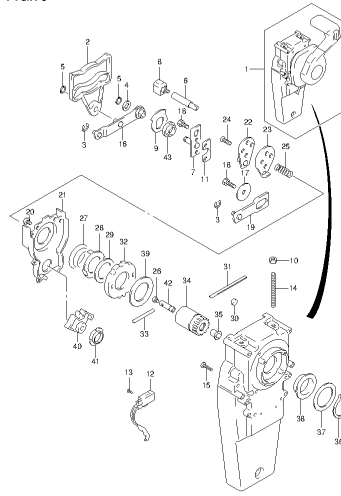
DF25\_E01\_013\_073  
OPT REMOCCN CABLE

FIG.74



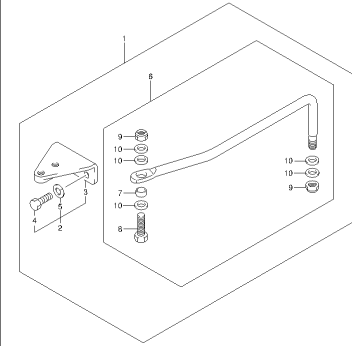
DF25\_E01\_013\_074  
OPT CONGEALED REMOCCN (1)

FIG.75



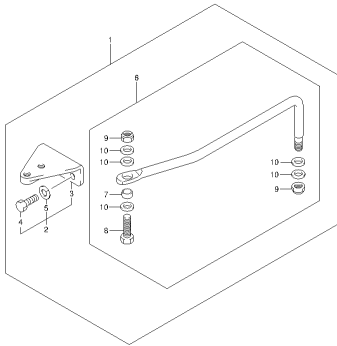
DF25\_E01\_013\_075  
OPT CONGEALED REMOCCN (2)

FIG.76



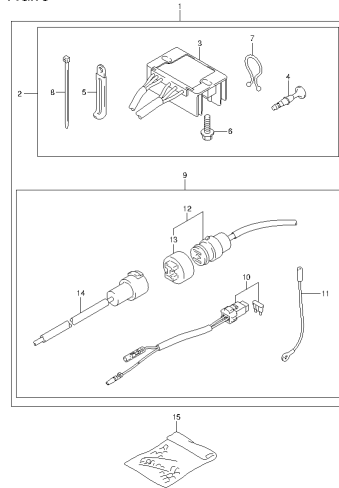
DF25\_E01\_013\_076  
OPT REMOCCN ATTACHMENT

FIG.77



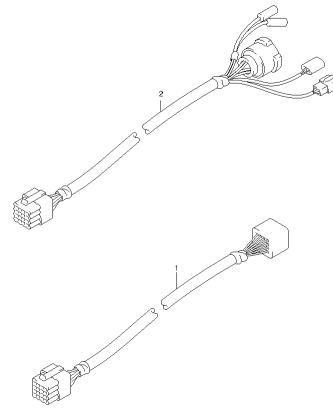
DF25\_E01\_013\_077  
OPT REMOCCN ATTACHMENT

FIG.78



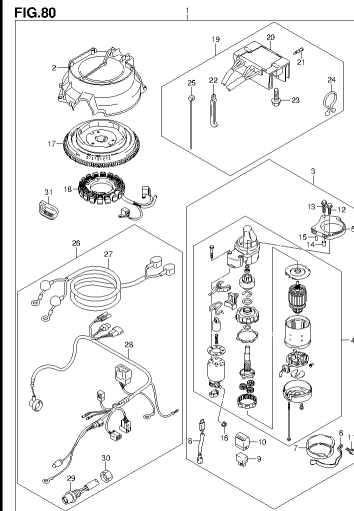
DF25\_E01\_013\_078  
OPT ELECTRICAL

FIG.79



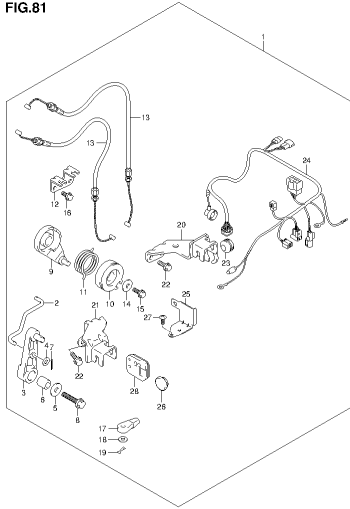
DF25\_E01\_013\_079  
OPT HARNESS

FIG.80



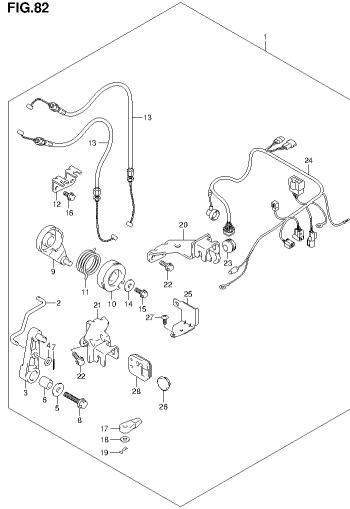
DF25\_E01\_013\_080  
OPT STARTING MOTOR

FIG.81



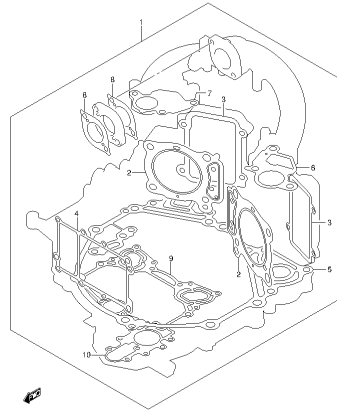
DP25\_E01\_013\_061  
CPI REMOCCN PARTS SET

FIG.82



DP25\_E01\_013\_062  
CPI REMOCCN PARTS SET

FIG.83



DP25\_E01\_013\_063  
CPI GASKET SET

FIG.1

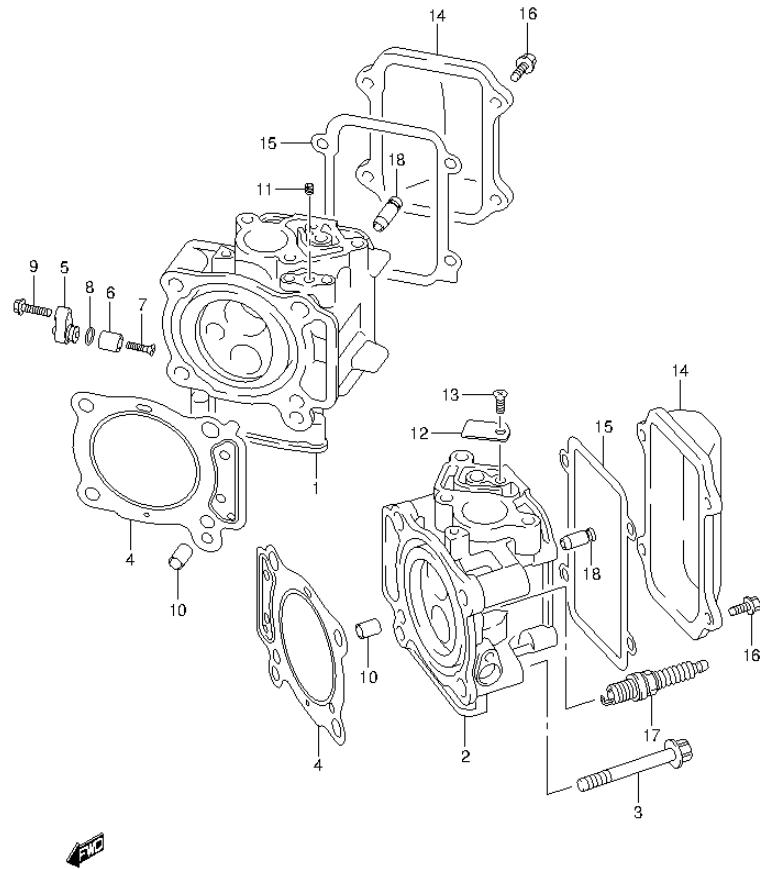


FIG.1 (1-B-2) CYLINDER HEAD

REF NO.	PART NO.	DESCRIPTION	Q'TY	REMARKS
1	11110-95J00	HEAD, CYLINDER STBD	1	
2	11120-95J00	HEAD, CYLINDER PORT	1	
3	11119-95J01	BOLT	8	
4	11141-95J00	GASKET, CYL HEAD	2	
5	11261-99E00	COVER, PROTECTION ANODE	2	
6	55321-95J00	ANODE, PROTECTION	2	
7	09126-05011	SCREW (5X20)	2	
8	09280-10013	O RING (D:2.4, ID:9.6)	2	
9	01550-06207	BOLT	2	
10	04211-13189	PIN	4	
11	09493-20012	JET, OIL	1	STBD
12	11452-95J00	VALVE, REED	1	PORT
13	02112-0612A	SCREW	1	PORT
14	11171-95J00	COVER, CYLINDER HEAD	2	
15	11189-95J00	GASKET, CYLINDER HEAD COVER	2	
16	01550-06127	BOLT	8	
17	09482-00427	SPARK PLUG (NGK, BKR6E)	2	
18	11115-93J10-001	GUIDE, VALVE (OS)	4	OPT

FIG.2

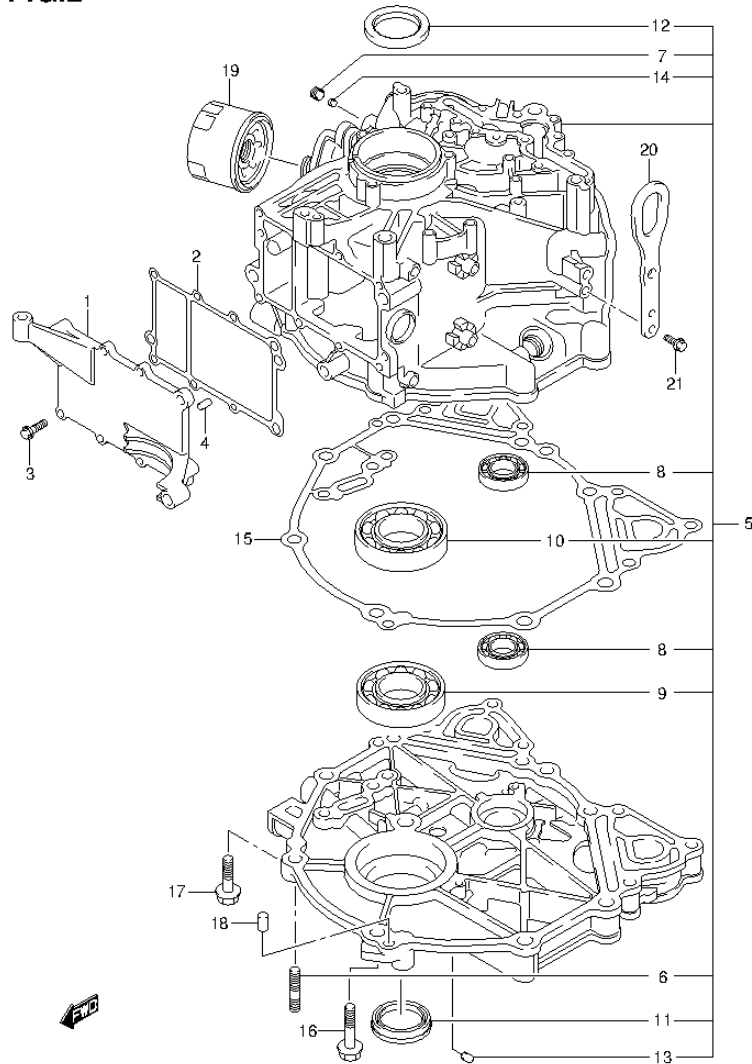


FIG.2 (1-B-3) CYLINDER BLOCK

REF NO.	PART NO.	DESCRIPTION	Q'TY	REMARKS
1	11218-95J00	COVER, CYLINDER BLOCK	1	
2	11219-95J01	GASKET, CYLINDER BLOCK COVER	1	
3	01547-06207	BOLT	8	
4	04221-06129	PIN	2	
5	11300-95851	BLOCK SET, CYLINDER	1	
6	09108-08281	.STUD BOLT	2	
7	09246-05006	.PLUG	1	
8	09262-25145	.BEARING (25X42X9)	2	
9	09262-35067	.BEARING (35X72X17)	1	
10	08110-62080	.BEARING	1	
11	09283-34014	.OIL SEAL (34X46X8)	1	
12	09283-38025	.OIL SEAL (38X56X7)	1	
13	11112-53A00	.PLUG, OIL VENTURI	1	FOR CRANKSHAFT CASE
14	09493-20012	.JET, OIL VENTURI	1	FOR CYLINDER BLOCK
15	11351-95J01	GASKET, CRANKCASE	1	
16	09116-10143	BOLT (10X40)	2	
17	09116-08128	BOLT (8X40)	2	
18	04221-08149	PIN	2	
19	16510-87J00	FILTER ASSY, OIL	1	
20	11291-95J00	HOOK, ENGINE	2	
21	01550-06167	BOLT	4	



FIG.3

FIG.3 (1-B-4) CRANKSHAFT

REF NO.	PART NO.	DESCRIPTION	Q'TY	REMARKS
1	12111-95J00-0B0	PISTON	2	
2	12140-75F30	RING SET, PISTON	2	
3	12151-54A50	PIN, PISTON	2	
4	09381-17005	CIRCLIP	4	
5-1	12160-95J01-0A0	CONNROD ASSY	2	RED
5-2	12160-95J01-0B0	CONNROD ASSY	2	NO PAINT
6	12163-69J00	.BOLT, CONNROD	4	
7	04221-03059	.PIN	4	
8	12220-95J00-0B0	CRANKSHAFT	1	
9	12730-95J10	GEAR ASSY, IDLE (NT:29)	1	
10	12735-95J10	SHAFT, IDLE GEAR	1	
11	09160-08122	WASHER (8.5X18X3.20)	1	
12	09160-12067	WASHER (12.5X23X1)	1	
13	08316-1008A	NUT	1	
14	12100-95J00-050	PISTON SET (OS:0.50)	2	OPT
15	12140-75F30-050	.RING SET, PISTON (OS:0.50)	2	OPT

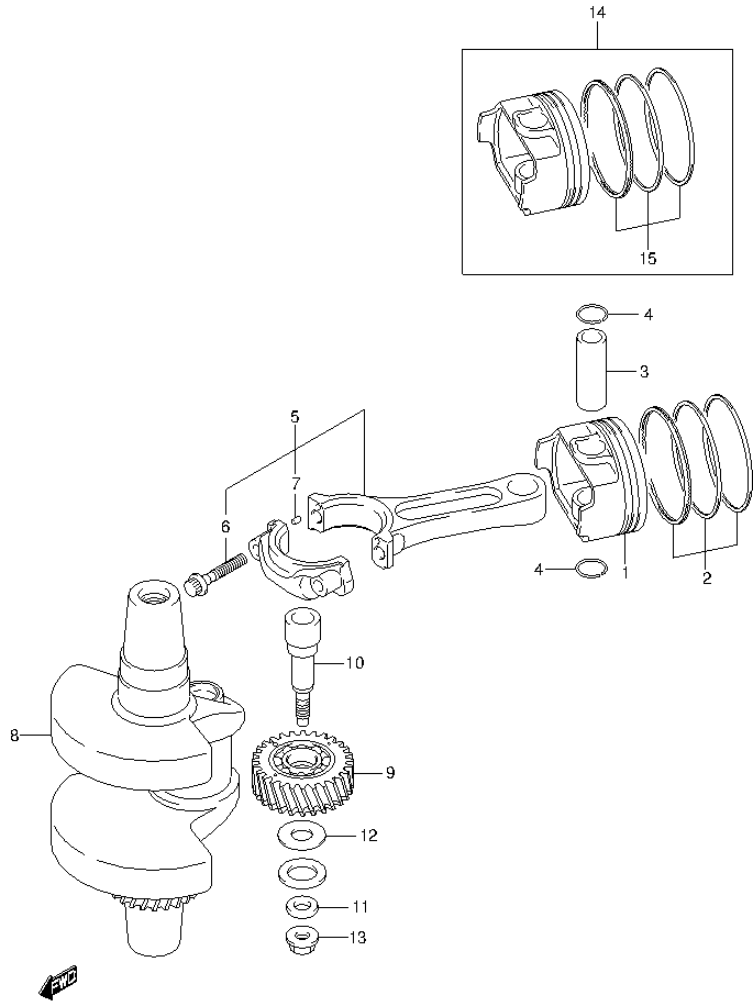


FIG.4

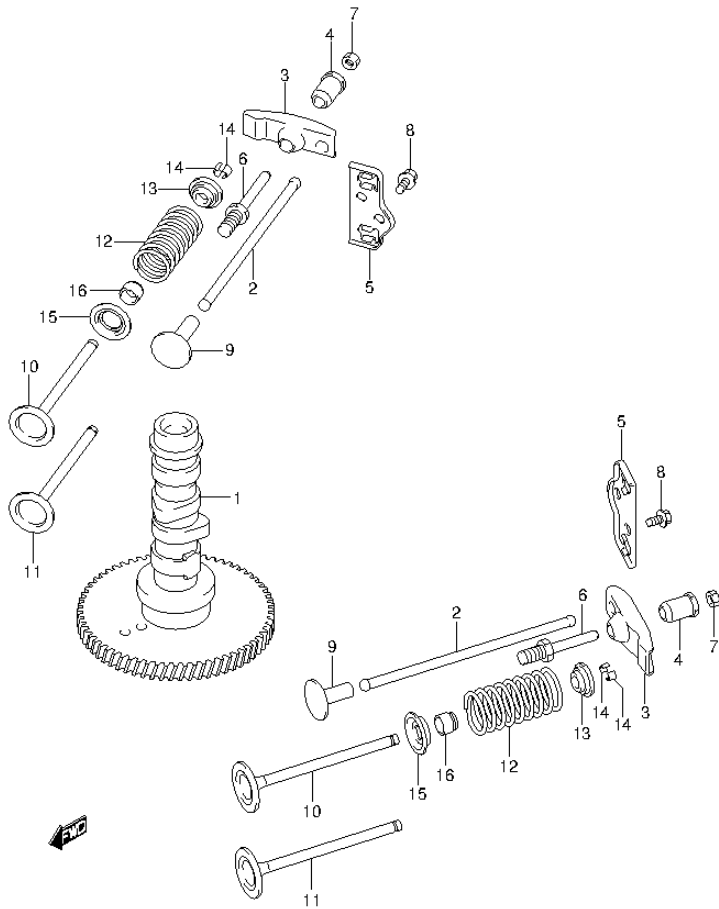


FIG.4 (1-B-5) CAMSHAFT (DF25 E01)

REF NO.	PART NO.	DESCRIPTION	Q'TY	REMARKS
1-1	12710-95J00	CAMSHAFT	1	W/MANUAL STARTER
1-2	12710-95J10	CAMSHAFT	1	W/ELECTRIC STARTER
2	12894-95J00	ROD, PUSH	4	
3	12961-95J00	ARM, ROCKER	4	
4	12962-88C00	PIVOT	4	
5	12966-95J00	GUIDE, PUSH ROD	2	
6	09108-06125	STUD BOLT	4	
7	09140-06021	NUT	4	
8	01547-0612A	BOLT	4	
9	12891-95J00	TAPPET	4	
10	12911-95J00	VALVE, INTAKE	2	
11	12915-95J00	VALVE, EXHAUST	2	
12	12921-95J00	SPRING, VALVE	4	
13	12931-78G00	RETAINER, VALVE SPRING	4	
14	12932-24400	COTTER, VALVE	8	
15	12933-51E00	SEAT, VALVE SPRING	4	
16	09289-05012	OIL SEAL (5.5X11.5X9.3)	4	

FIG.5

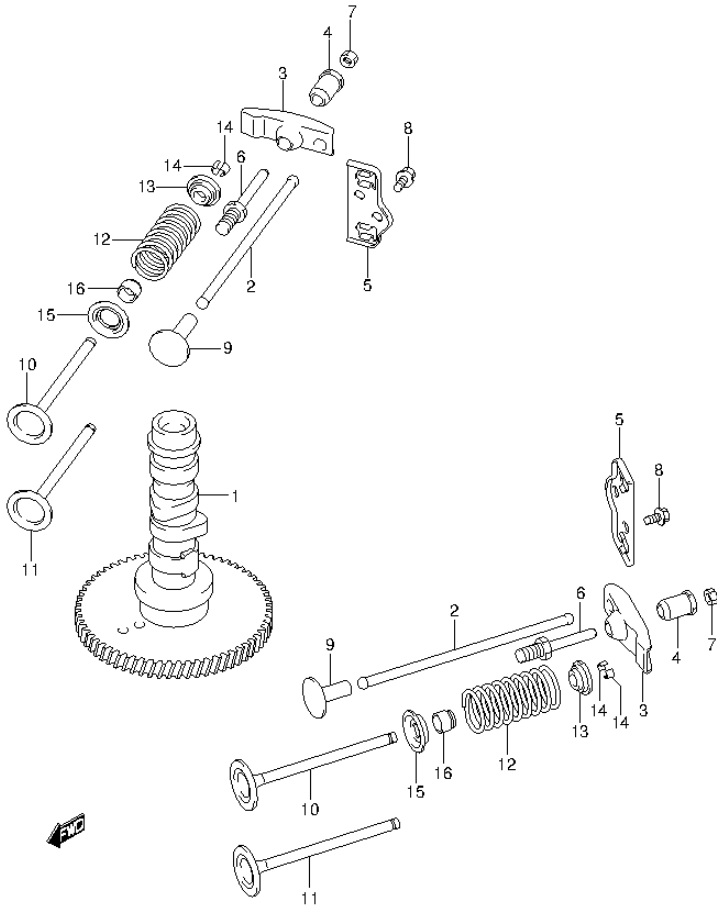


FIG.5 (1-B-6) CAMSHAFT (DF25R E01)

REF NO.	PART NO.	DESCRIPTION	Q'TY	REMARKS
1	12710-95J10	CAMSHAFT	1	
2	12894-95J00	ROD, PUSH	4	
3	12961-95J00	ARM, ROCKER	4	
4	12962-88C00	PIVOT	4	
5	12966-95J00	GUIDE, PUSH ROD	2	
6	09108-06125	STUD BOLT	4	
7	09140-06021	NUT	4	
8	01547-0612A	BOLT	4	
9	12891-95J00	TAPPET	4	
10	12911-95J00	VALVE, INTAKE	2	
11	12915-95J00	VALVE, EXHAUST	2	
12	12921-95J00	SPRING, VALVE	4	
13	12931-78G00	RETAINER, VALVE SPRING	4	
14	12932-24400	COTTER, VALVE	8	
15	12933-51E00	SEAT, VALVE SPRING	4	
16	09289-05012	OIL SEAL (5.5X11.5X9.3)	4	

FIG.6

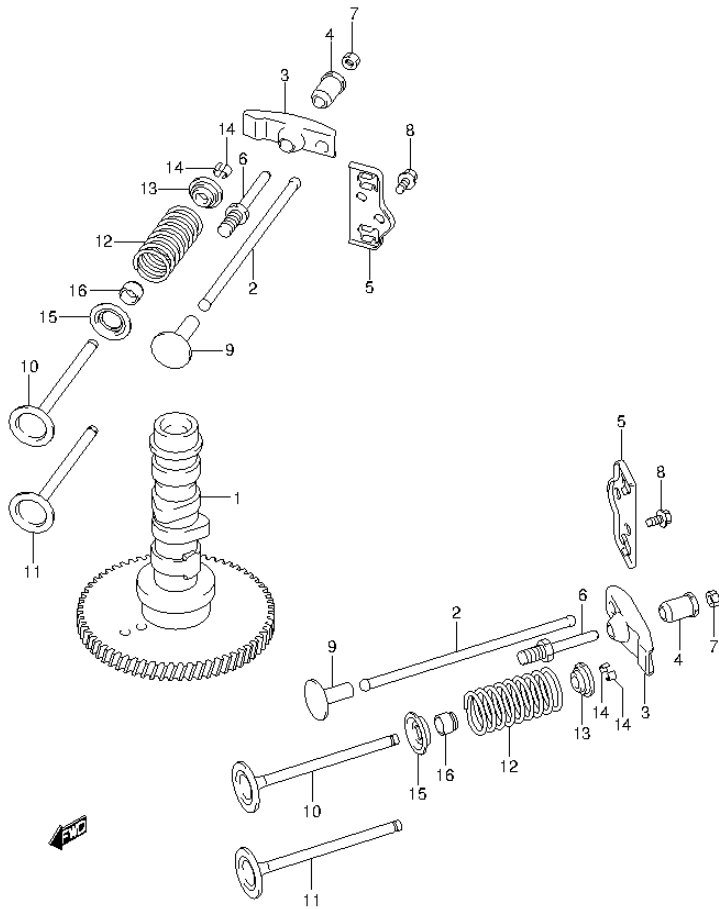


FIG.6 (1-B-7) CAMSHAFT (DF25Q E01)

REF NO.	PART NO.	DESCRIPTION	Q'TY	REMARKS
1	12710-95J10	CAMSHAFT	1	
2	12894-95J00	ROD, PUSH	4	
3	12961-95J00	ARM, ROCKER	4	
4	12962-88C00	PIVOT	4	
5	12966-95J00	GUIDE, PUSH ROD	2	
6	09108-06125	STUD BOLT	4	
7	09140-06021	NUT	4	
8	01547-0612A	BOLT	4	
9	12891-95J00	TAPPET	4	
10	12911-95J00	VALVE, INTAKE	2	
11	12915-95J00	VALVE, EXHAUST	2	
12	12921-95J00	SPRING, VALVE	4	
13	12931-78G00	RETAINER, VALVE SPRING	4	
14	12932-24400	COTTER, VALVE	8	
15	12933-51E00	SEAT, VALVE SPRING	4	
16	09289-05012	OIL SEAL (5.5X11.5X9.3)	4	

FIG.7

FIG.7 (1-B-8) INTAKE MANIFOLD

REF NO.	PART NO.	DESCRIPTION	Q'TY	REMARKS
1	13110-95J01	MANIFOLD, INTAKE	1	
2	13119-95J00	GASKET, INTAKE MANIFOLD PORT	1	
3	13122-95J00	GASKET, INTAKE MANIFOLD STBD	1	
4	01550-08407	BOLT	6	
5	11184-95J00	HOSE, BREATHER	1	PORT
6	09401-14409	CLIP	2	PORT

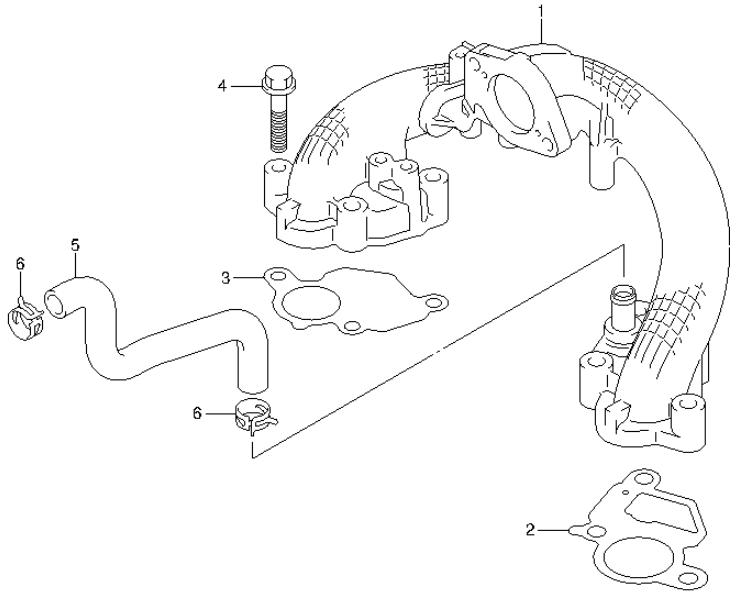


FIG.8

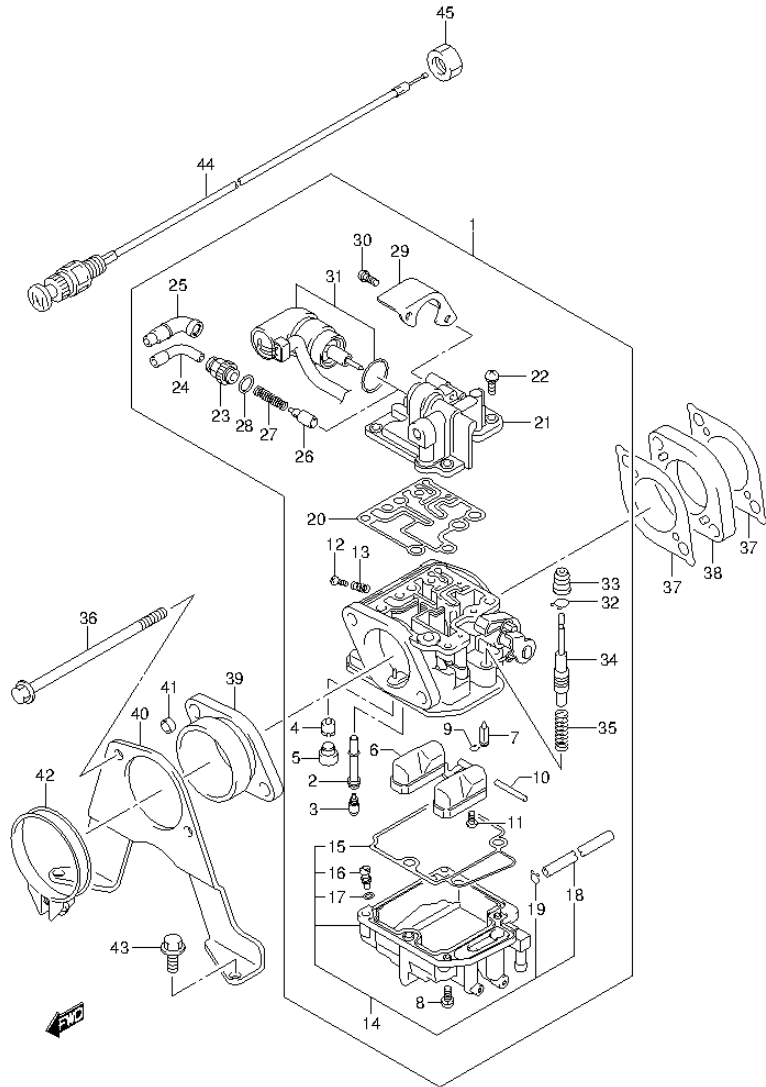


FIG.8 (1-B-9) CARBURETOR (DF25 E01)

REF NO.	PART NO.	DESCRIPTION	Q'TY	REMARKS
1-1	13200-95J20	CARBURETOR ASSY	1	W/ELECTRIC STARTER
1-2	13200-95J30	CARBURETOR ASSY	1	W/MANUAL STARTER
2	13236-95J00	.NOZZLE, MAIN	1	
3	09491-26020	.JET, MAIN (132)	1	
4	09492-48016	.JET, PILOT (48)	1	
5	13239-94J00	.CAP, RUBBER	1	
6	13250-94J00	.FLOAT	1	
7	13370-94J00	.VALVE, FLOAT	1	
8	13247-94J00	.SCREW	4	
9	13375-26E00	.CLIP	1	
10	13254-94J00	.PIN, ARM	1	
11	13802-94J00	.SCREW	1	
12	13534-94J00	.SCREW, STOP	1	
13	13268-94J00	.SPRING	1	
14-1	13240-95J00	.CHAMBER, ASSY FLOAT	1	W/ELECTRIC STARTER
14-2	13240-95J10	.CHAMBER, ASSY FLOAT	1	W/MANUAL STARTER
15	13251-94J00	..GASKET, FLOAT CHAMBER	1	
16	13279-94J00	..SCREW, DRAIN	1	
17	13523-94J00	..O RING	1	
18	13684-94J00	..PIPE	1	
19	09401-05402-XC0	..CLIP	1	
20	13345-94J00	.J RING	1	
21-1	13346-95J00	.COVER	1	W/ELECTRIC STARTER
21-2	13346-95J10	.COVER	1	W/MANUAL STARTER
22	13247-94J00	.SCREW	4	
23	13361-94J00	.HOLDER, CABLE	1	W/MANUAL STARTER
24	13362-94J00	.GUIDE, CABLE	1	W/MANUAL STARTER
25	13363-94J00	.CAP, CABLE SEALING	1	W/MANUAL STARTER
26	13364-94J00	.VALVE, STARTER	1	W/MANUAL STARTER
27	13365-94J00	.SPRING	1	W/MANUAL STARTER
28	13295-14G00	.O RING	1	W/MANUAL STARTER
29	13428-95J00	.GUARD, HEATER	1	W/ELECTRIC STARTER
30	13367-94J00	.SCREW	2	W/ELECTRIC STARTER
31	13368-95J00	.STARTER ASSY	1	W/ELECTRIC STARTER

FIG.8

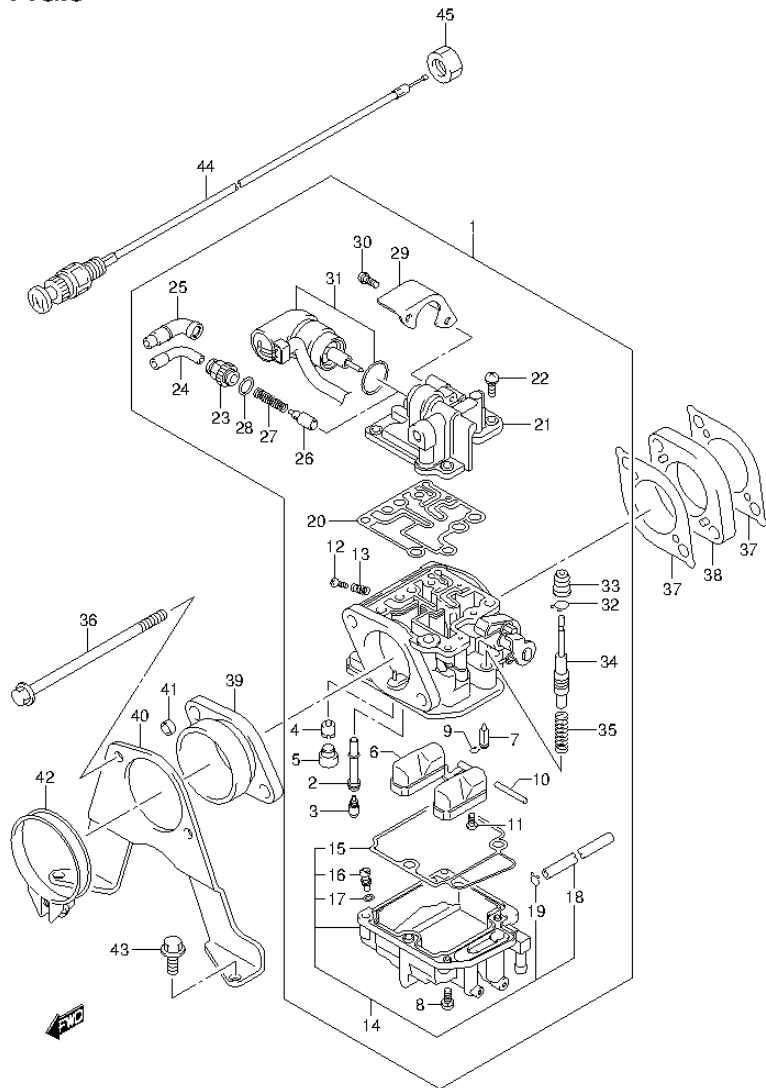


FIG.8 (1-B-10) CARBURETOR (DF25 E01)

REF NO.	PART NO.	DESCRIPTION	Q'TY	REMARKS
32	13494-94J00	.CLIP	1	
33	13495-94J00	.CAP, RUBBER	1	
34	13493-95J00	.PLUNGER	1	
35	13441-94J00	.SPRING	1	
36	09103-06228	BOLT (6X105)	2	
37	13125-95J00	GASKET, CARBURETOR	2	
38	13124-95J00	INSULATOR	1	
39	13880-95J00	TUBE, OUTLET	1	
40	13882-95J00	PLATE, OUTLET TUBE	1	
41	09180-06353	SPACER (6.5X10X5)	2	
42	17895-95J00	CLAMP, OUTLET TUBE	1	
43	01550-06167	BOLT	2	
44	13640-95J00	KNOB ASSY, STARTER	1	W/MANUAL STARTER
45	09159-14032	NUT	1	W/MANUAL STARTER

FIG.9

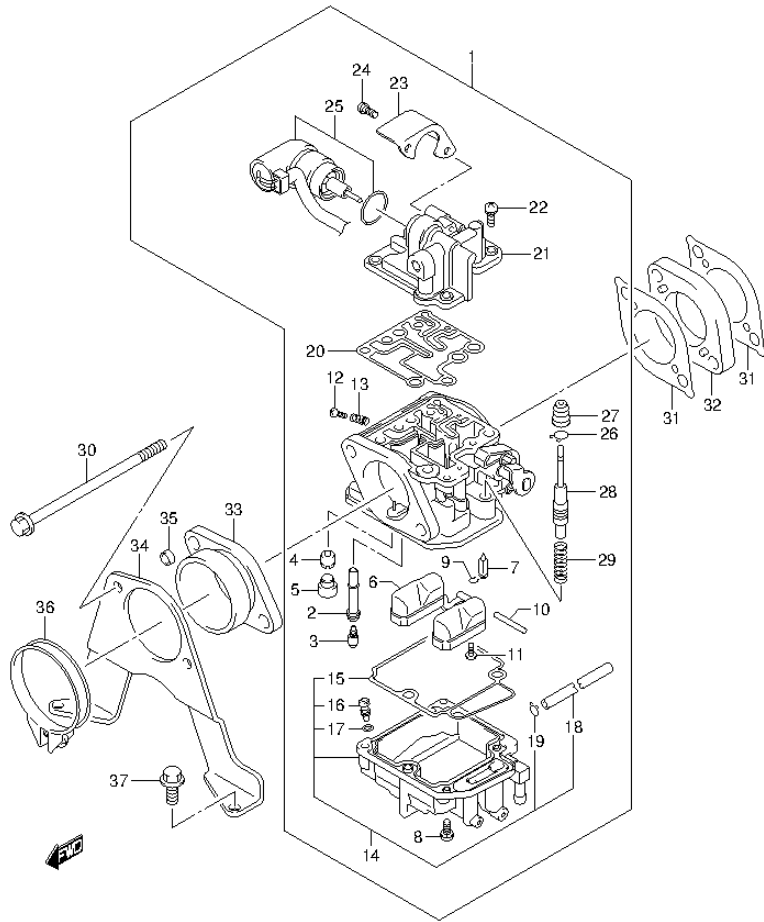


FIG.9 (1-B-11) CARBURETOR (DF25R E01)

REF NO.	PART NO.	DESCRIPTION	Q'TY	REMARKS
1	13200-95J20	CARBURETOR ASSY	1	
2	13236-95J00	.NOZZLE, MAIN	1	
3	09491-26020	.JET, MAIN (132)	1	
4	09492-48016	.JET, PILOT (48)	1	
5	13239-94J00	.CAP, RUBBER	1	
6	13250-94J00	.FLOAT	1	
7	13370-94J00	.VALVE, FLOAT	1	
8	13247-94J00	.SCREW	4	
9	13375-26E00	.CLIP	1	
10	13254-94J00	.PIN, ARM	1	
11	13802-94J00	.SCREW	1	
12	13534-94J00	.SCREW, STOP	1	
13	13268-94J00	.SPRING	1	
14	13240-95J00	.CHAMBER, ASSY FLOAT	1	
15	13251-94J00	.GASKET, FLOAT CHAMBER	1	
16	13279-94J00	.SCREW, DRAIN	1	
17	13523-94J00	.O RING	1	
18	13684-94J00	.PIPE	1	
19	09401-05402-XC0	.CLIP	1	
20	13345-94J00	.U RING	1	
21	13346-95J00	.COVER	1	
22	13247-94J00	.SCREW	4	
23	13428-95J00	.GUARD, HEATER	1	
24	13367-94J00	.SCREW	2	
25	13368-95J00	.STARTER ASSY	1	
26	13494-94J00	.CLIP	1	
27	13495-94J00	.CAP, RUBBER	1	
28	13493-95J00	.PLUNGER	1	
29	13441-94J00	.SPRING	1	



FIG.9

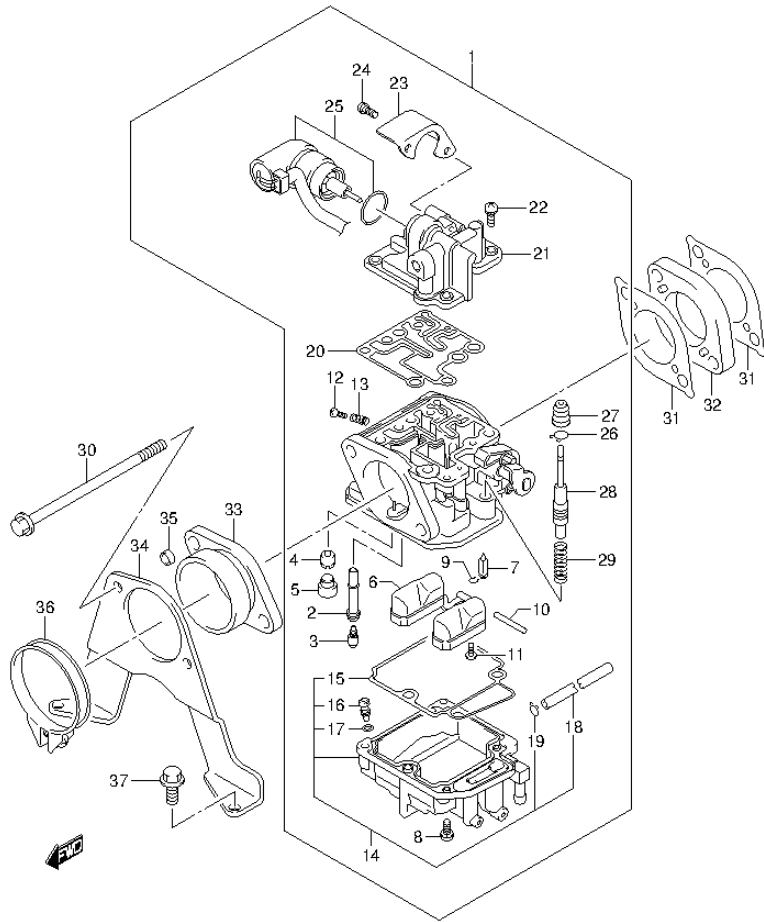
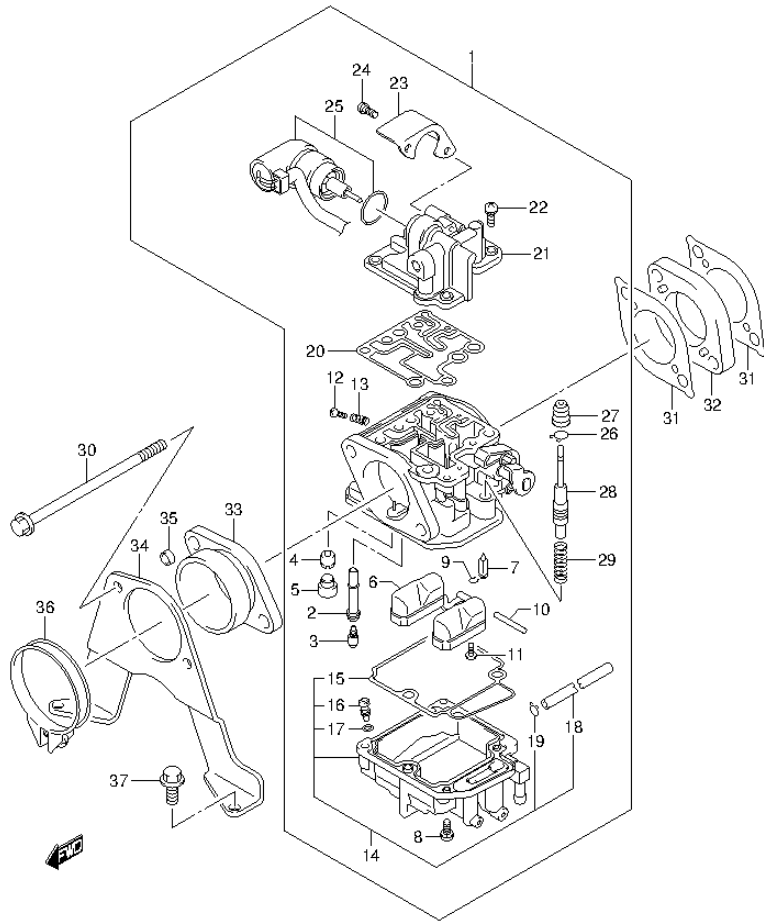


FIG.9 (1-B-12) CARBURETOR (DF25R E01)

REF NO.	PART NO.	DESCRIPTION	Q'TY	REMARKS
30	09103-06228	BOLT (6X105)	2	
31	13125-95J00	GASKET, CARBURETOR	2	
32	13124-95J00	INSULATOR	1	
33	13880-95J00	TUBE, OUTLET	1	
34	13882-95J00	PLATE, OUTLET TUBE	1	
35	09180-06353	SPACER (6.5X10X5)	2	
36	17895-95J00	CLAMP, OUTLET TUBE	1	
37	01550-06167	BOLT	2	

FIG.10



DF25\_E01\_013\_010  
CARBURETOR

FIG.10 (1-B-13) CARBURETOR (DF25Q E01)

REF NO.	PART NO.	DESCRIPTION	Q'TY	REMARKS
1	13200-95J20	CARBURETOR ASSY	1	
2	13236-95J00	.NOZZLE, MAIN	1	
3	09491-26020	.JET, MAIN (132)	1	
4	09492-48016	.JET, PILOT (48)	1	
5	13239-94J00	.CAP, RUBBER	1	
6	13250-94J00	.FLOAT	1	
7	13370-94J00	.VALVE, FLOAT	1	
8	13247-94J00	.SCREW	4	
9	13375-26E00	.CLIP	1	
10	13254-94J00	.PIN, ARM	1	
11	13802-94J00	.SCREW	1	
12	13534-94J00	.SCREW, STOP	1	
13	13268-94J00	.SPRING	1	
14	13240-95J00	.CHAMBER, ASSY FLOAT	1	
15	13251-94J00	.GASKET, FLOAT CHAMBER	1	
16	13279-94J00	.SCREW, DRAIN	1	
17	13523-94J00	.O RING	1	
18	13684-94J00	.PIPE	1	
19	09401-05402-XC0	.CLIP	1	
20	13345-94J00	.U RING	1	
21	13346-95J00	.COVER	1	
22	13247-94J00	.SCREW	4	
23	13428-95J00	.GUARD, HEATER	1	
24	13367-94J00	.SCREW	2	
25	13368-95J00	.STARTER ASSY	1	
26	13494-94J00	.CLIP	1	
27	13495-94J00	.CAP, RUBBER	1	
28	13493-95J00	.PLUNGER	1	
29	13441-94J00	.SPRING	1	

DF25\_E01\_013

FIG.10

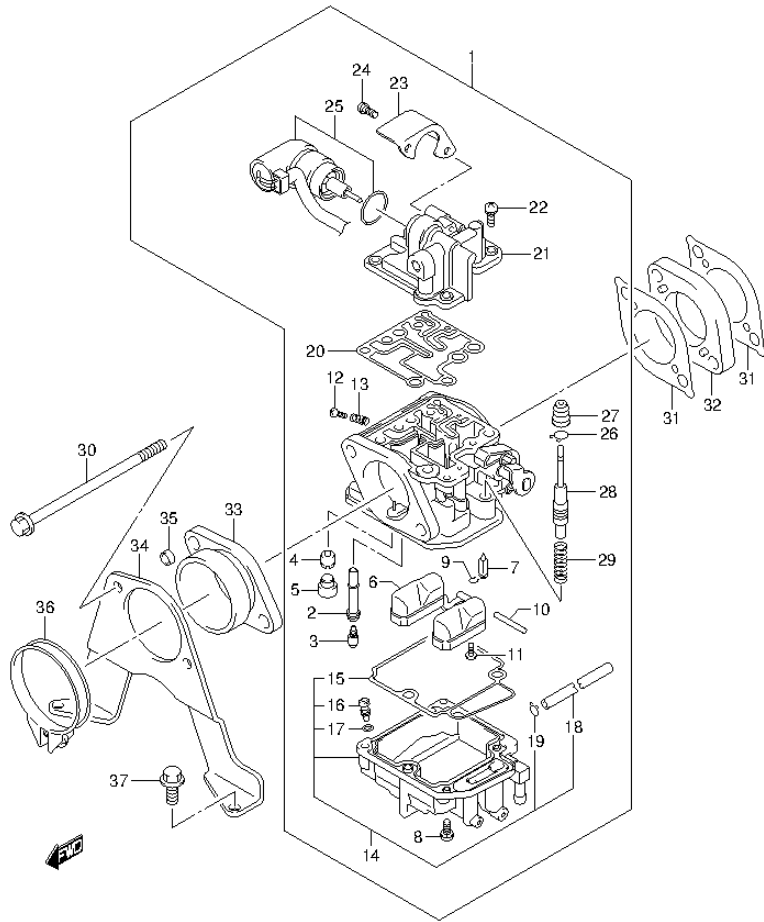


FIG.10 (1-B-14) CARBURETOR (DF25Q E01)

REF NO.	PART NO.	DESCRIPTION	Q'TY	REMARKS
30	09103-06228	BOLT (6X105)	2	
31	13125-95J00	GASKET, CARBURETOR	2	
32	13124-95J00	INSULATOR	1	
33	13880-95J00	TUBE, OUTLET	1	
34	13882-95J00	PLATE, OUTLET TUBE	1	
35	09180-06353	SPACER (6.5X10X5)	2	
36	17895-95J00	CLAMP, OUTLET TUBE	1	
37	01550-06167	BOLT	2	

FIG.11

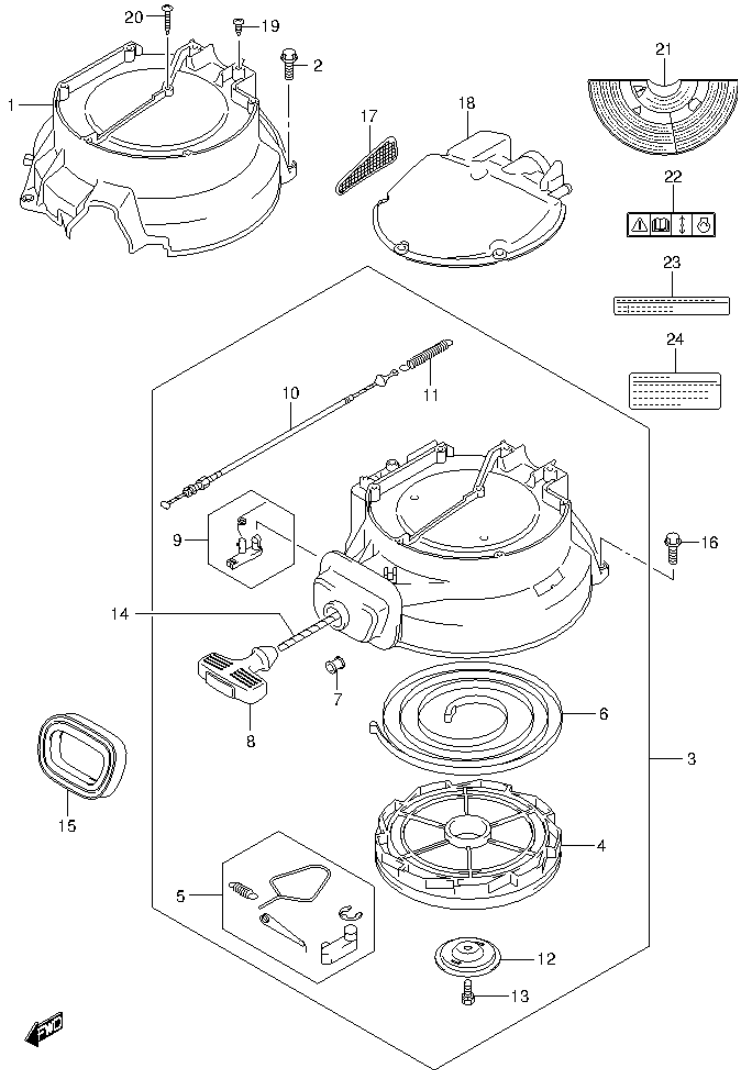


FIG.11 (1-B-15) MAGNETO COVER/RECOIL STARTER/SILENCER (DF25 E01)

REF NO.	PART NO.	DESCRIPTION	Q'TY	REMARKS
1	11511-95J01	COVER, MAGNETO	1	W/ELECTRIC STARTER
2	01550-08257	BOLT	3	W/ELECTRIC STARTER
3	18100-95J01	STARTER ASSY, RECOIL	1	W/MANUAL STARTER
4	18120-96320	.REEL	1	W/MANUAL STARTER
5	18130-89J00	.RATCHET SET	1	W/MANUAL STARTER
6	18142-89J00	.SPRING, SPIRAL	1	W/MANUAL STARTER
7	18191-95J00	.GUIDE, ROPE	1	W/MANUAL STARTER
8	18210-93002	.GRIP ASSY	1	W/MANUAL STARTER
9	18280-95J00	.NSI SET	1	W/MANUAL STARTER
10	18290-95J01	.WIRE	1	W/MANUAL STARTER
11	18293-89J00	.SPRING	1	W/MANUAL STARTER
12	18151-96310	.PLATE, FRICTION	1	W/MANUAL STARTER
13	01570-06167	.BOLT	1	W/MANUAL STARTER
14	99000-81159-50M	ROPE	1	OPT L:50000->1750
15	18193-95J00	SEAL, RECOIL STARTER	1	W/MANUAL STARTER
16	01550-08257	BOLT	3	W/MANUAL STARTER
17	13710-95J00	ARRESTER, FLAME	1	
18	13811-95J00	SILENCER, UPPER COVER	1	
19	03542-05169	SCREW	7	
20	03542-05359	SCREW	1	
21	61472-93E40	LABEL, RECOIL STARTER	1	
22	69711-93E10	LABEL (S.I.G.P.)	1	
23	61493-95J00	LABEL, CLEARANCE	1	
24	61494-95J00	LABEL, OIL	1	

FIG.12

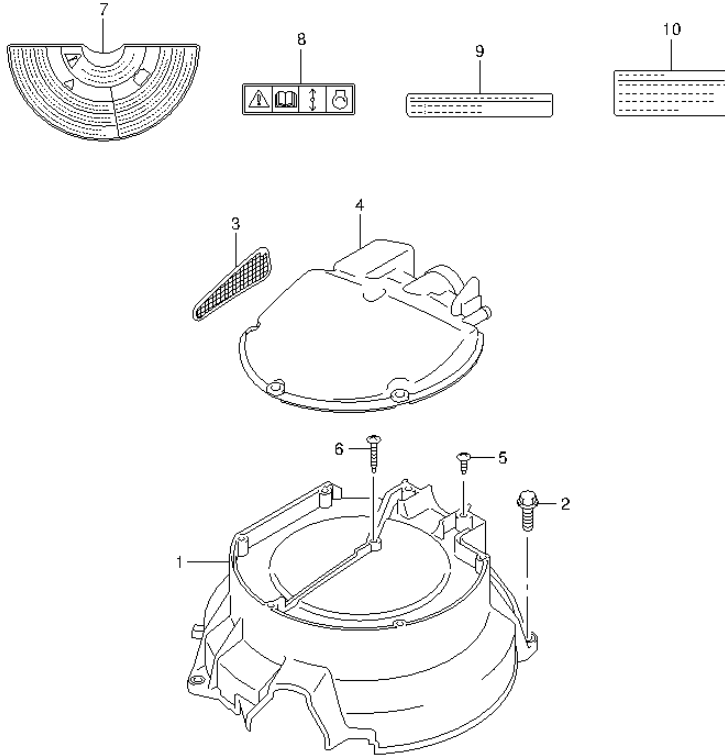


FIG.12 (1-C-2) MAGNETO COVER/SILENCER (DF25R E01)

REF NO.	PART NO.	DESCRIPTION	Q'TY	REMARKS
1	11511-95J01	COVER, MAGNETO	1	
2	01550-08257	BOLT	3	
3	13710-95J00	ARRESTER, FLAME	1	
4	13811-95J00	SILENCER, UPPER COVER	1	
5	03542-05169	SCREW	7	
6	03542-05359	SCREW	1	
7	61472-93E40	LABEL, RECOIL STARTER	1	
8	69711-93E10	LABEL (S.I.G.P.)	1	
9	61493-95J00	LABEL, CLEARANCE	1	
10	61494-95J00	LABEL, OIL	1	

FIG.13

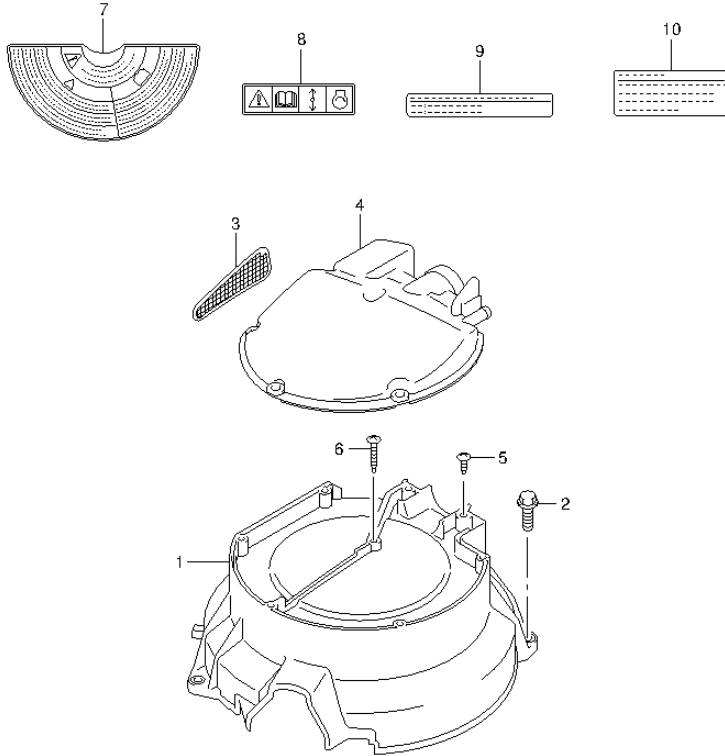


FIG.13 (1-C-3) MAGNETO COVER/SILENCER (DF25Q E01)

REF NO.	PART NO.	DESCRIPTION	Q'TY	REMARKS
1	11511-95J01	COVER, MAGNETO	1	
2	01550-08257	BOLT	3	
3	13710-95J00	ARRESTER, FLAME	1	
4	13811-95J00	SILENCER, UPPER COVER	1	
5	03542-05169	SCREW	7	
6	03542-05359	SCREW	1	
7	61472-93E40	LABEL, RECOIL STARTER	1	
8	69711-93E10	LABEL (S.I.G.P.)	1	
9	61493-95J00	LABEL, CLEARANCE	1	
10	61494-95J00	LABEL, OIL	1	



FIG.14

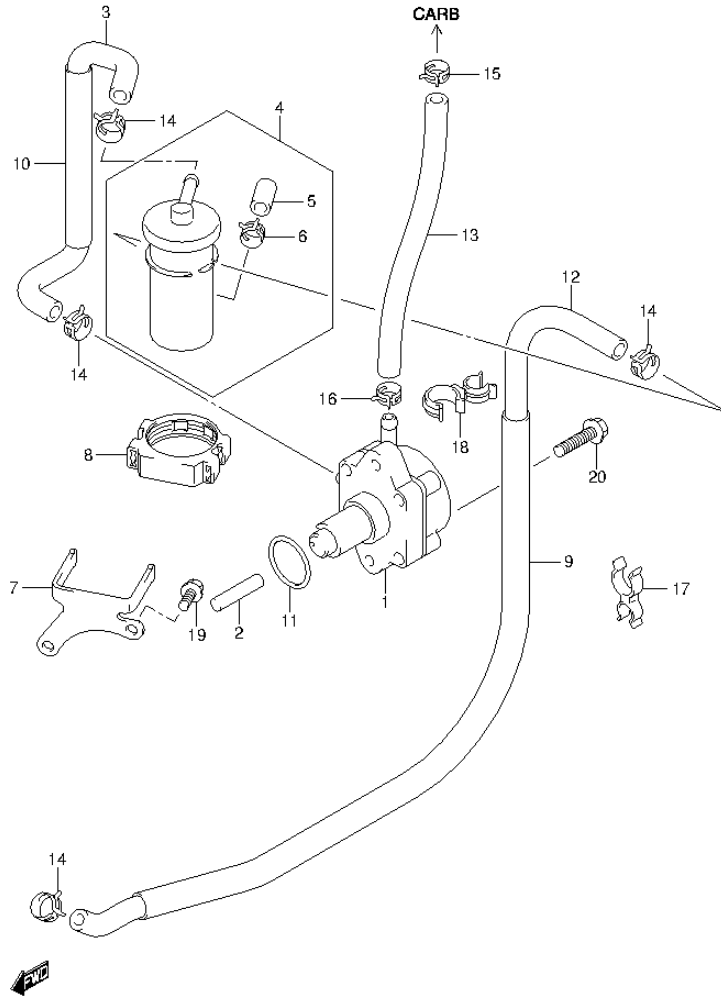
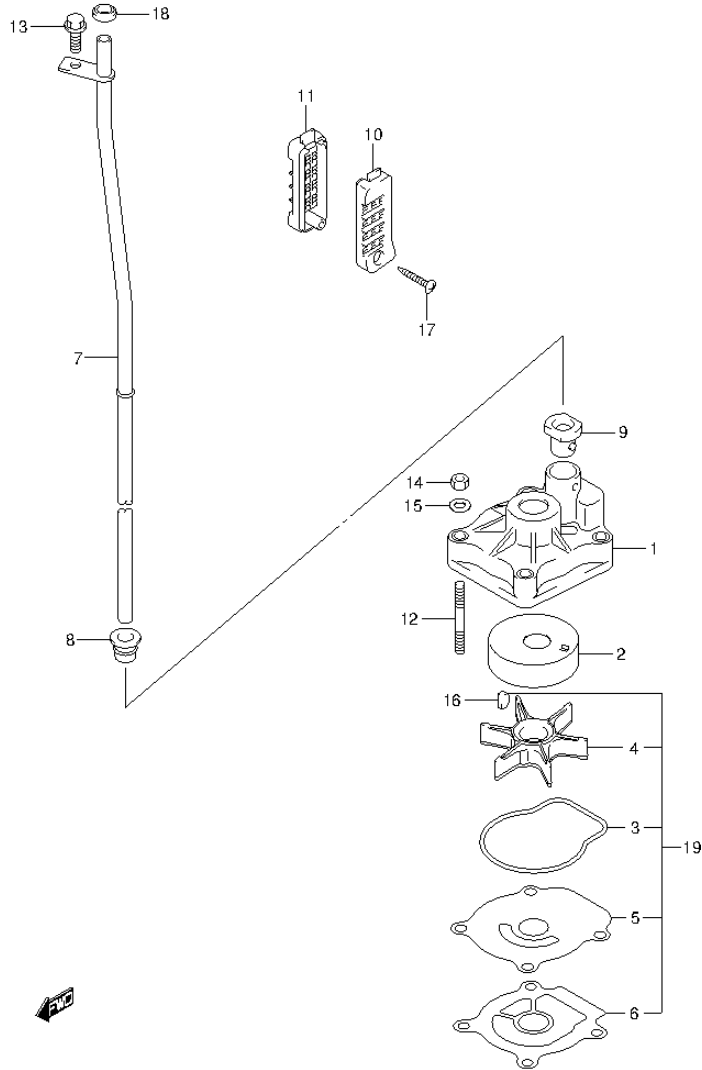


FIG.14 (1-C-4) FUEL PUMP

REF NO.	PART NO.	DESCRIPTION	Q'TY	REMARKS
1	15100-95J03	PUMP ASSY, FUEL	1	
2	15131-99E00	ROD, FUEL PUMP	1	
3	15192-95J11	HOSE, FUEL (FILTER TO PUMP)	1	
4	15410-87J30	FILTER, FUEL	1	
5	15419-87J00	.CAP, FUEL FILTER	1	
6	09401-11423	.CLIP	1	
7	15421-95J00	BRACKET, FUEL FILTER	1	
8	15422-96J00	BRACKET, FUEL FILTER	1	
9	18498-99E10	PROTECTOR, FUEL HOSE	1	L:610->560
10	18498-96J20	PROTECTOR, FUEL HOSE	1	L:370->110
11	09280-26005	O RING (D:2.4, ID:26.2)	1	
12	09343-70503-00B	HOSE (7X12X2000)	1	L:2000->720
13	15193-95J11	HOSE, FUEL (PUMP TO CARB)	1	
14	09401-11423	CLIP	4	
15	09401-10412	CLIP	1	
16	09401-12412	CLIP	1	
17	09408-00069	CLIP	1	
18	09408-00105	CLAMP	1	
19	01550-06127	BOLT	2	
20	01550-06257	BOLT	2	

**FIG.15**

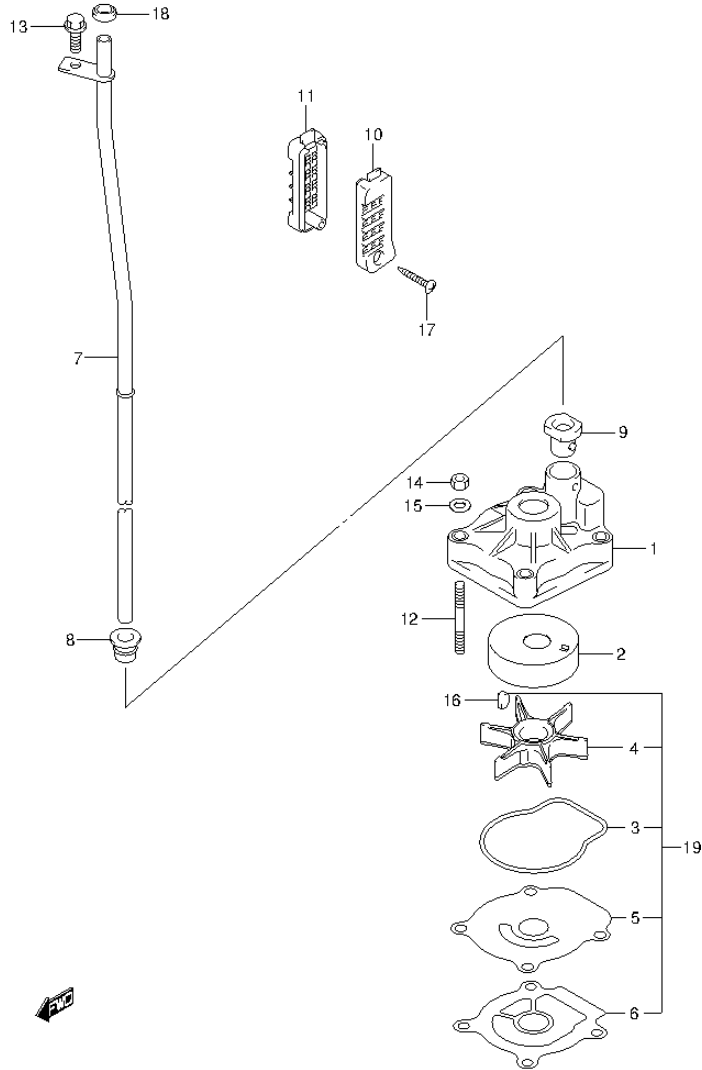


**FIG.15 (1-C-5) WATER PUMP (DF25 E01)**

REF NO.	PART NO.	DESCRIPTION	Q'TY	REMARKS
1	17410-95J00	CASE, WATER PUMP	1	
2	17413-95J00	SLEEVE, CASE	1	
3	17416-95J00	SEALING, CASE	1	
4	17461-96312	IMPELLER, WATER PUMP	1	
5	17471-95J01	PANEL, PUMP CASE UNDER	1	
6	17472-96303	GASKET, PUMP CASE PANEL	1	
7-1	17560-95J00	TUBE, WATER (S)	1	W/TRANSOM(S)
7-2	17560-95J10	TUBE, WATER (L)	1	W/TRANSOM(L)
8	17565-96300	GROMMET, WATER TUBE	2	
9	17566-96302	GROMMET, WATER TUBE LOWER	1	
10	17631-95J00	FILTER, WATER PORT SIDE	1	
11	17632-95J00	FILTER, WATER STBD SIDE	1	
12	09108-06146	STUD BOLT	4	
13	09116-06236	BOLT (6X16)	1	
14	29141-93J00	NUT, PUMP CASE (M6)	4	
15	09160-06082	WASHER (6.5X13X1.0)	4	
16	09420-04006	KEY	1	
17	03142-04259	SCREW	1	
18	09320-08062	CUSHION	1	
19	17400-95J02	WATER PUMP REPAIR KIT	1	OPT



**FIG.16**



**FIG.16 (1-C-6) WATER PUMP (DF25R E01)**

REF NO.	PART NO.	DESCRIPTION	Q'TY	REMARKS
1	17410-95J00	CASE, WATER PUMP	1	
2	17413-95J00	SLEEVE, CASE	1	
3	17416-95J00	SEALING, CASE	1	
4	17461-96312	IMPELLER, WATER PUMP	1	
5	17471-95J01	PANEL, PUMP CASE UNDER	1	
6	17472-96303	GASKET, PUMP CASE PANEL	1	
7-1	17560-95J00	TUBE, WATER (S)	1	W/TRANSOM(S)
7-2	17560-95J10	TUBE, WATER (L)	1	W/TRANSOM(L)
8	17565-96300	GROMMET, WATER TUBE	2	
9	17566-96302	GROMMET, WATER TUBE LOWER	1	
10	17631-95J00	FILTER, WATER PORT SIDE	1	
11	17632-95J00	FILTER, WATER STBD SIDE	1	
12	09108-06146	STUD BOLT	4	
13	09116-06236	BOLT (6X16)	1	
14	29141-93J00	NUT, PUMP CASE (M6)	4	
15	09160-06082	WASHER (6.5X13X1.0)	4	
16	09420-04006	KEY	1	
17	03142-04259	SCREW	1	
18	09320-08062	CUSHION	1	
19	17400-95J02	WATER PUMP REPAIR KIT	1	OPT

FIG.17

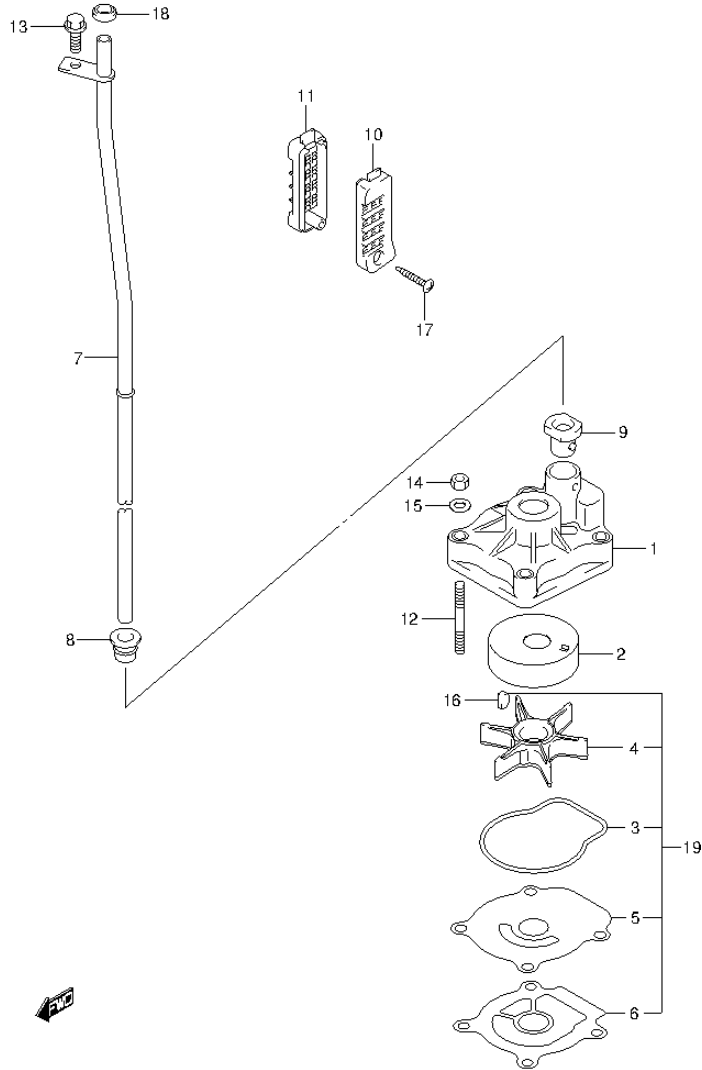


FIG.17 (1-C-7) WATER PUMP (DF25Q E01)

REF NO.	PART NO.	DESCRIPTION	Q'TY	REMARKS
1	17410-95J00	CASE, WATER PUMP	1	
2	17413-95J00	SLEEVE, CASE	1	
3	17416-95J00	SEALING, CASE	1	
4	17461-96312	IMPELLER, WATER PUMP	1	
5	17471-95J01	PANEL, PUMP CASE UNDER	1	
6	17472-96303	GASKET, PUMP CASE PANEL	1	
7	17560-95J10	TUBE, WATER (L)	1	
8	17565-96300	GROMMET, WATER TUBE	2	
9	17566-96302	GROMMET, WATER TUBE LOWER	1	
10	17631-95J00	FILTER, WATER PORT SIDE	1	
11	17632-95J00	FILTER, WATER STBD SIDE	1	
12	09108-06146	STUD BOLT	4	
13	09116-06236	BOLT (6X16)	1	
14	29141-93J00	NUT, PUMP CASE (M6)	4	
15	09160-06082	WASHER (6.5X13X1.0)	4	
16	09420-04006	KEY	1	
17	03142-04259	SCREW	1	
18	09320-08062	CUSHION	1	
19	17400-95J02	WATER PUMP REPAIR KIT	1	OPT

FIG.18

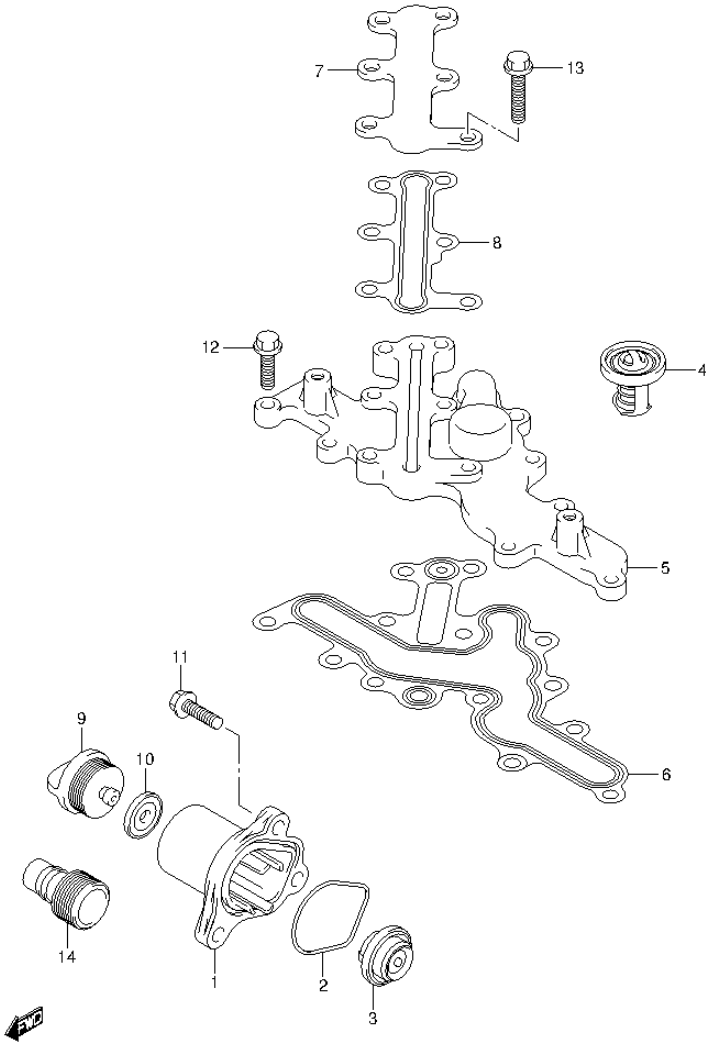
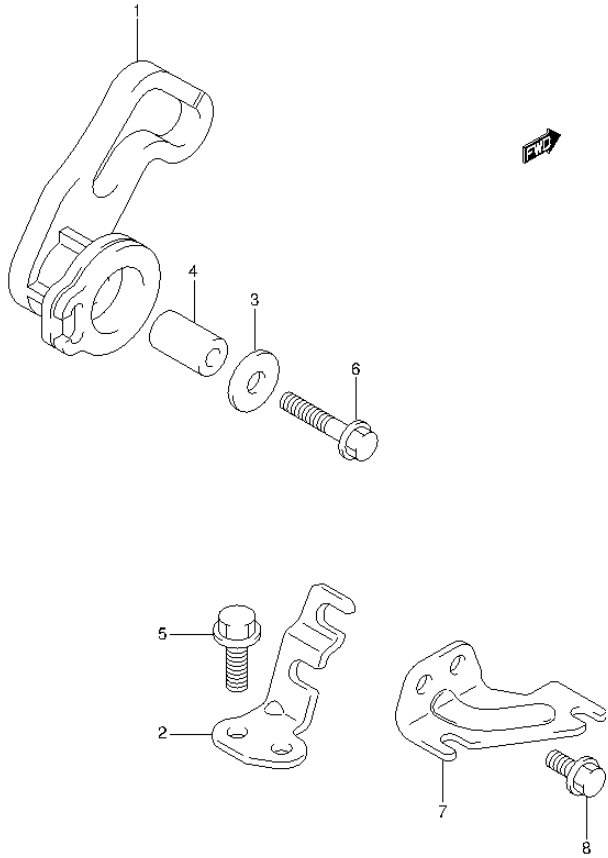


FIG.18 (1-C-8) THERMOSTAT

REF NO.	PART NO.	DESCRIPTION	Q'TY	REMARKS
1	17610-95J00-0EP	COVER, WATER PRESS VALVE (BLACK)	1	
2	17616-95J00	O RING, PRESS VALVE COVER	1	
3	17660-99E01	VALVE, WATER PRESSURE	1	
4	17670-94J00	THERMOSTAT (60C)	1	
5	17681-95J00	COVER, THERMOSTAT	1	
6	17685-95J11	GASKET, THERMOSTAT COVER	1	
7	17689-95J00	PLATE, OIL GALLERY	1	
8	17693-95J00	GASKET, OIL GALLERY	1	
9	17913-93J00	PLUG, WATER FLUSH	1	
10	17914-93J00	GASKET, WATER FLUSH PLUG	1	
11	09103-06093	BOLT (6X20)	3	
12	01550-06207	BOLT	7	
13	01550-06257	BOLT	6	
14	17917-87L00	CONNECTOR, FLUSH WATER	1	OPT

**FIG.19**



**FIG.19 (1-C-9) THROTTLE CONTROL (DF25 E01)**

REF NO.	PART NO.	DESCRIPTION	Q'TY	REMARKS
1	19141-95J00	CAM, THROTTLE	1	
2	19184-95J00	BRACKET, THROTTLE CABLE	1	
3	09160-06047	WASHER (6.5X20X2)	1	
4	09180-06186	SPACER (6.2X12.6X21)	1	
5	01550-06167	BOLT	2	
6	01550-06357	BOLT	1	
7	18642-95J00	BRACKET, NSI CABLE	1	W/MANUAL STARTER
8	01550-06167	BOLT	2	W/MANUAL STARTER

FIG.20

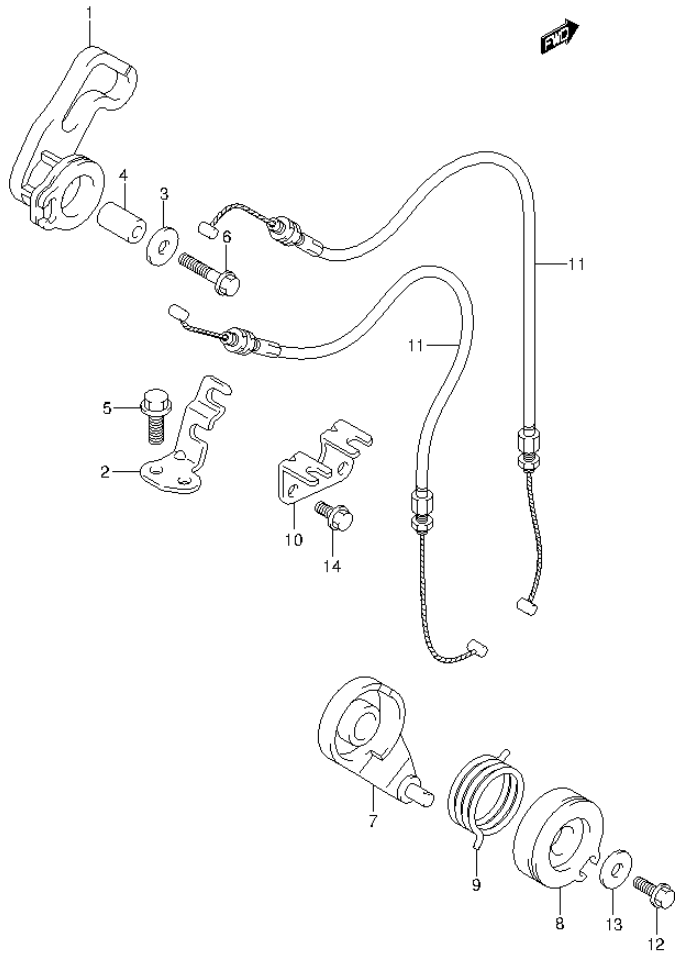


FIG.20 (1-C-10) THROTTLE CONTROL (DF25R E01)

REF NO.	PART NO.	DESCRIPTION	Q'TY	REMARKS
1	19141-95J00	CAM, THROTTLE	1	
2	19184-95J00	BRACKET, THROTTLE CABLE	1	
3	09160-06047	WASHER (6.5X20X2)	1	
4	09180-06186	SPACER (6.2X12.6X21)	1	
5	01550-06167	BOLT	2	
6	01550-06357	BOLT	1	
7	19120-95J00	LEVER, THROTTLE CONTROL	1	
8	19122-95J00	LEVER, INTERLINK THROTTLE	1	
9	19185-95J00	SPRING, THROTTLE LEVER	1	
10	19761-95J00	STAY, THROTTLE CABLE	1	
11	63610-95J11	CABLE ASSY, THROTTLE	2	
12	01550-06127	BOLT	1	
13	09160-06047	WASHER (6.5X20X2)	1	
14	01550-06167	BOLT	2	

FIG.21

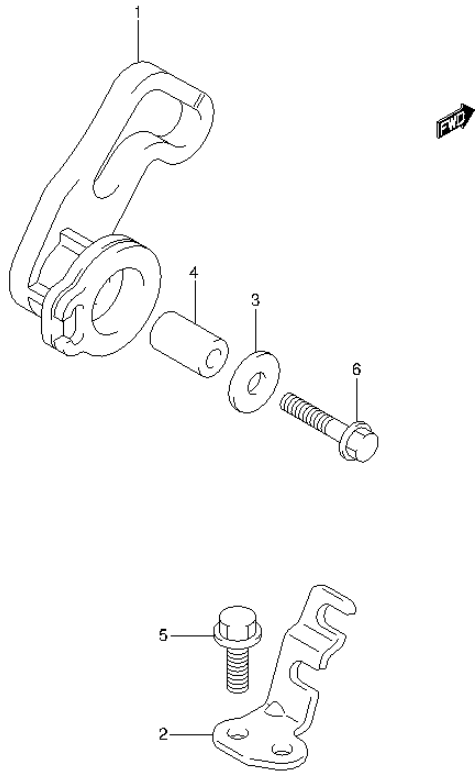


FIG.21 (1-C-11) THROTTLE CONTROL (DF25Q E01)

REF NO.	PART NO.	DESCRIPTION	Q'TY	REMARKS
1	19141-95J00	CAM, THROTTLE	1	
2	19184-95J00	BRACKET, THROTTLE CABLE	1	
3	09160-06047	WASHER (6.5X20X2)	1	
4	09180-06186	SPACER (6.2X12.6X21)	1	
5	01550-06167	BOLT	2	
6	01550-06357	BOLT	1	

FIG.22

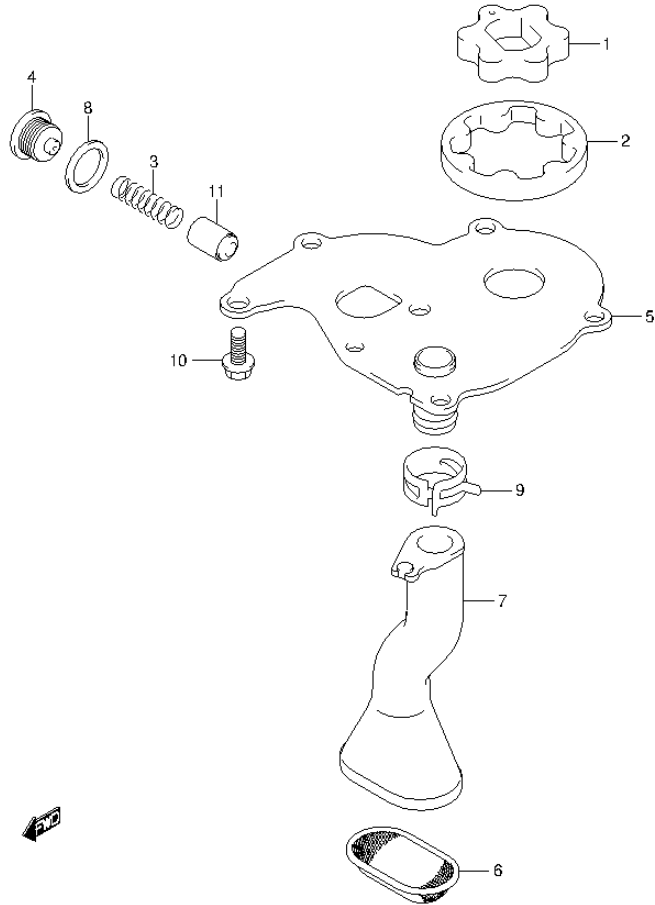


FIG.22 (1-C-12) OIL PUMP

REF NO.	PART NO.	DESCRIPTION	Q'TY	REMARKS
1	16131-95J00	ROTOR, OIL PUMP INNER	1	
2	16132-95J00	ROTOR, OIL PUMP OUTER	1	
3	16152-95J00	SPRING, OIL RELIEF	1	
4	16153-95J00	RETAINER, RELIEF VALVE SPRING	1	
5	16161-95J00	PLATE, OIL PUMP	1	
6	16520-95J00	STRAINER, OIL	1	
7	16522-95J01	PIPE, OIL STRAINER	1	
8	09168-16002	GASKET (16X22X2)	1	
9	09401-18411	CLIP	1	
10	01550-0616A	BOLT	7	
11	16151-95J00	VALVE, OIL PUMP RELIEF	1	

FIG.23

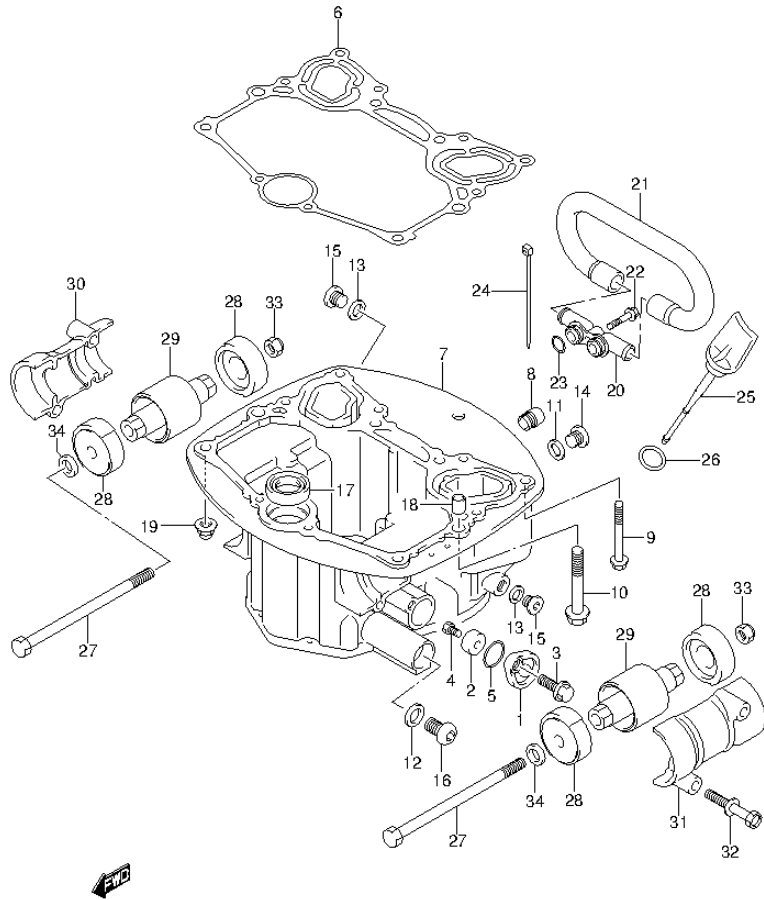


FIG.23 (1-C-13) OIL PAN

REF NO.	PART NO.	DESCRIPTION	Q'TY	REMARKS
1	11261-93J00	COVER, PROTECTION ANODE	1	
2-1	55321-87J00	ANODE, PROTECTION	1	
2-2	55321-87J10	ANODE (MAGNESIUM)	1	OPT
3	29103-93J30	BOLT, ANODE COVER (8X25)	1	
4	09103-06281	BOLT (6X14)	1	
5	09280-22019	O RING (D:1.9,ID:21.8)	1	
6	11489-95J01	GASKET, OIL PAN	1	
7	11501-95J02-0EP	PAN, OIL (BLACK)	1	
8	43112-99E00	PIPE, EXHAUST	1	
9	09116-08126	BOLT (8X65)	6	
10	09116-10137	BOLT (10X70)	6	
11	09168-12011	GASKET (12.1X19X1.5)	2	
12	09168-12012	GASKET (12.5X20X2.5)	1	
13	09168-12017	GASKET (12X17X1)	2	
14	09248-12007	PLUG (12X9)	2	
15	09248-12007	PLUG (12X9)	2	
16	09248-12009	PLUG (12X18.65)	1	OIL DRAIN
17	09282-15008	OIL SEAL (14.7X25X6.5)	2	
18	04211-13149	PIN	2	
19	08313-20087	NUT	2	
20	11540-95J00	PIPE, EXHAUST	1	
21	11543-95J00	HOSE, EXHAUST	1	
22	09103-06196	BOLT (6X30)	1	
23	09280-15003	O RING (D:2.4,ID:14.8)	2	
24	09407-14407	CLAMP (L:145)	2	
25	11381-95J00	GAUGE, OIL LEVEL	1	
26	09280-16013	O RING (D:3.1,ID:16.6)	1	
27	54112-95J01	BOLT, UPPER MOUNT	2	
28	54120-95J00	MOUNT, UPPER THRUST	4	
29	54130-95J00	MOUNT, UPPER	2	



FIG.23

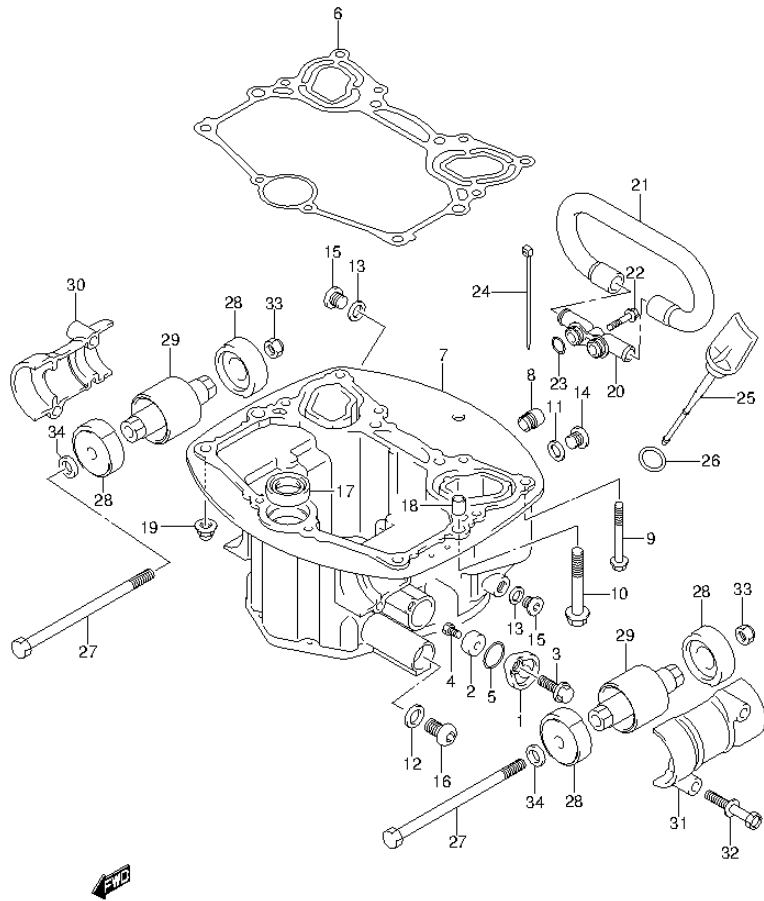


FIG.23 (1-C-14) OIL PAN

REF NO.	PART NO.	DESCRIPTION	Q'TY	REMARKS
30	54148-95J00-0EP	COVER, UPPER MT STBD (BLACK)	1	
31	54149-95J00-0EP	COVER, UPPER MT PORT (BLACK)	1	
32	09116-08131	BOLT (8X45)	4	
33	09159-10050	NUT	2	
34	09160-10140	WASHER (10.5X18X3)	2	

FIG.24

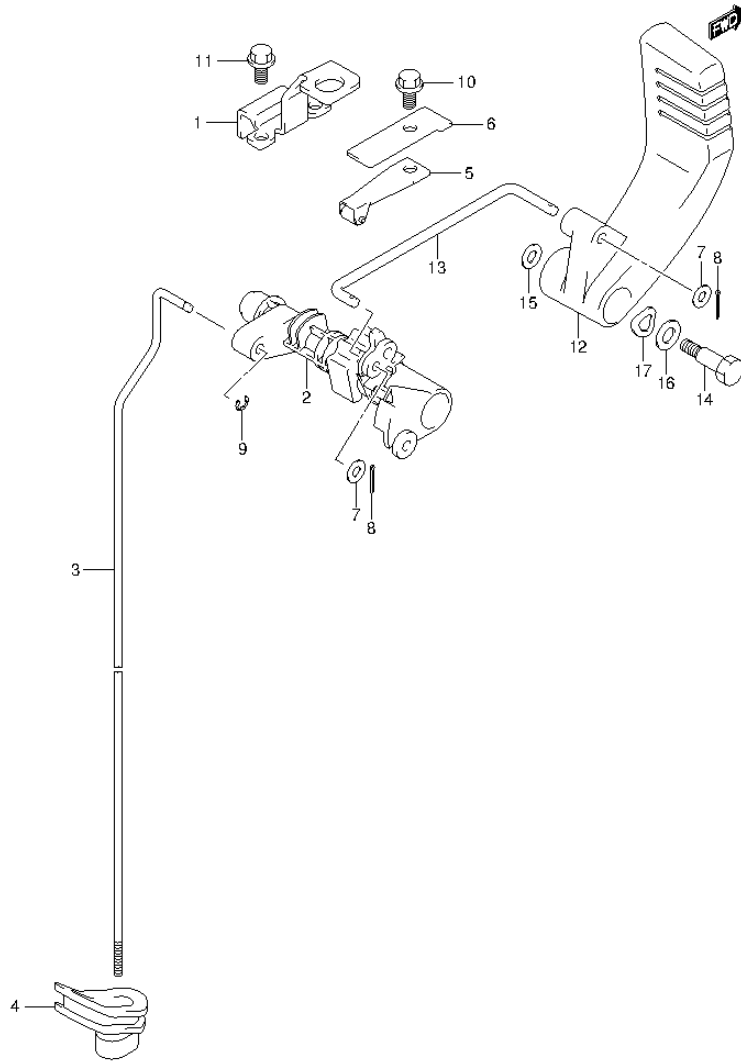
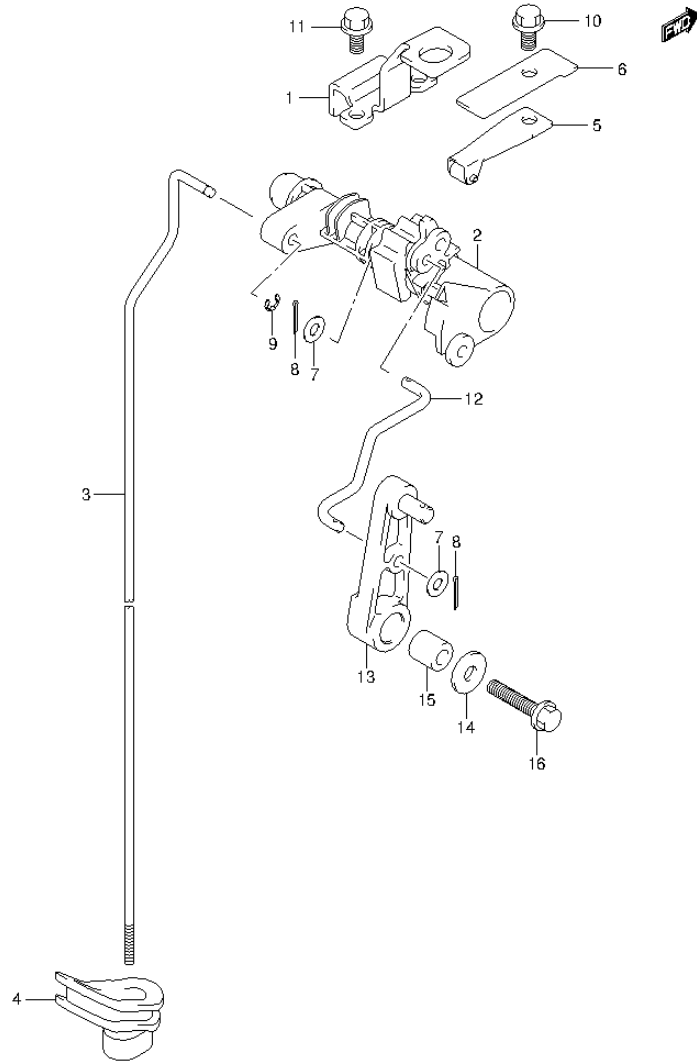


FIG.24 (1-C-15) CLUTCH SHAFT (DF25 E01)

REF NO.	PART NO.	DESCRIPTION	Q'TY	REMARKS
1	21126-95J01	HOLDER, CLUTCH SHAFT	1	
2	21211-95J01	SHAFT, CLUTCH	1	
3-1	23111-95J00	ROD, CLUTCH (S)	1	W/TRANSOM(S)
3-2	23111-95J10	ROD, CLUTCH (L)	1	W/TRANSOM(L)
4	23131-95J00	BOOT, CLUTCH ROD	1	
5	23213-89J01	SPRING, NOTCH PLATE NO.1	1	
6	23214-89J10	SPRING, NOTCH PLATE NO.2	1	
7	09160-05029	WASHER (5.5X12X0.8)	2	
8	09204-01002	PIN	2	
9	09383-04002	E RING	1	
10	01550-06127	BOLT	1	
11	01550-06127	BOLT	2	
12	21111-95J00	LEVER, FRONT SHIFT	1	
13	23115-95J00	LINK, SHIFT LEVER	1	
14	09111-06069	BOLT (6X28.8)	1	
15	09160-06082	WASHER (6.5X13X1.0)	1	
16	09160-08082	WASHER (8.5X16X1.2)	1	
17	09164-08017	WASHER	1	

**FIG.25**



**FIG.25 (1-D-2) CLUTCH SHAFT (DF25R E01)**

REF NO.	PART NO.	DESCRIPTION	Q'TY	REMARKS
1	21126-95J01	HOLDER, CLUTCH SHAFT	1	
2	21211-95J01	SHAFT, CLUTCH	1	
3-1	23111-95J00	ROD, CLUTCH (S)	1	W/TRANSOM(S)
3-2	23111-95J10	ROD, CLUTCH (L)	1	W/TRANSOM(L)
4	23131-95J00	BOOT, CLUTCH ROD	1	
5	23213-89J01	SPRING, NOTCH PLATE NO.1	1	
6	23214-89J10	SPRING, NOTCH PLATE NO.2	1	
7	09160-05029	WASHER (5.5X12X0.8)	2	
8	09204-01002	PIN	2	
9	09383-04002	E RING	1	
10	01550-06127	BOLT	1	
11	01550-06127	BOLT	2	
12	21241-95J00	LINK, CLUTCH LEVER	1	
13	23210-95J00	LEVER, CLUTCH CONTROL	1	
14	09160-06084	WASHER (6.5X18X1.6)	1	
15	09180-06230	SPACER (6.2X12.6X12.5)	1	
16	01550-06257	BOLT	1	

FIG.26

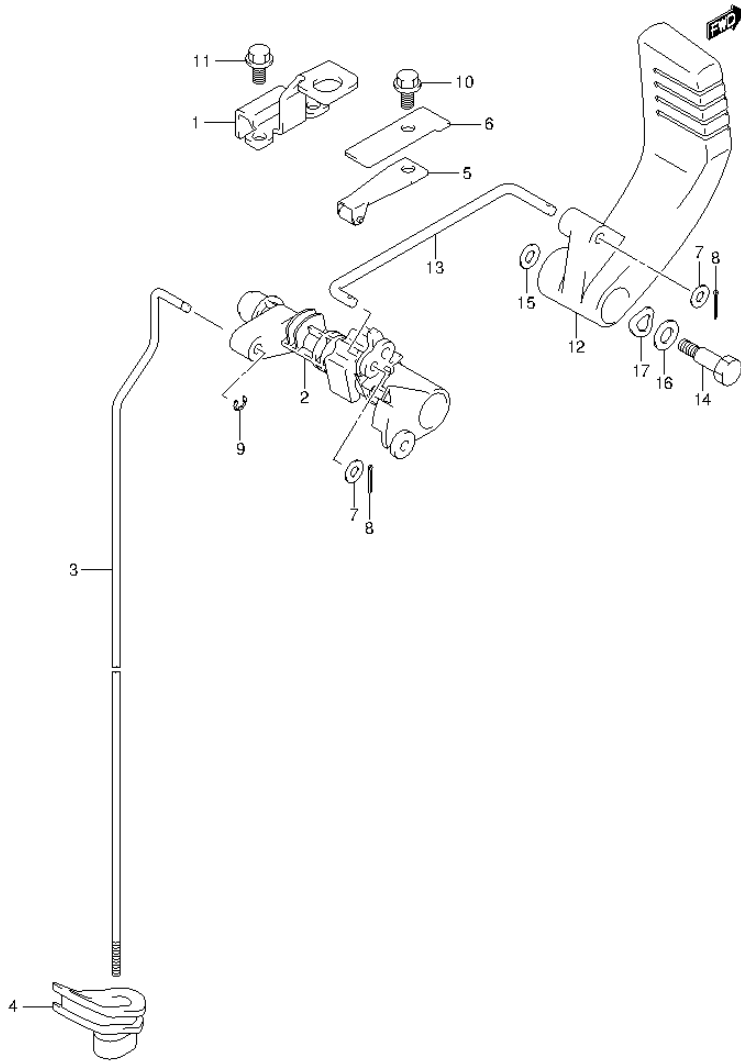
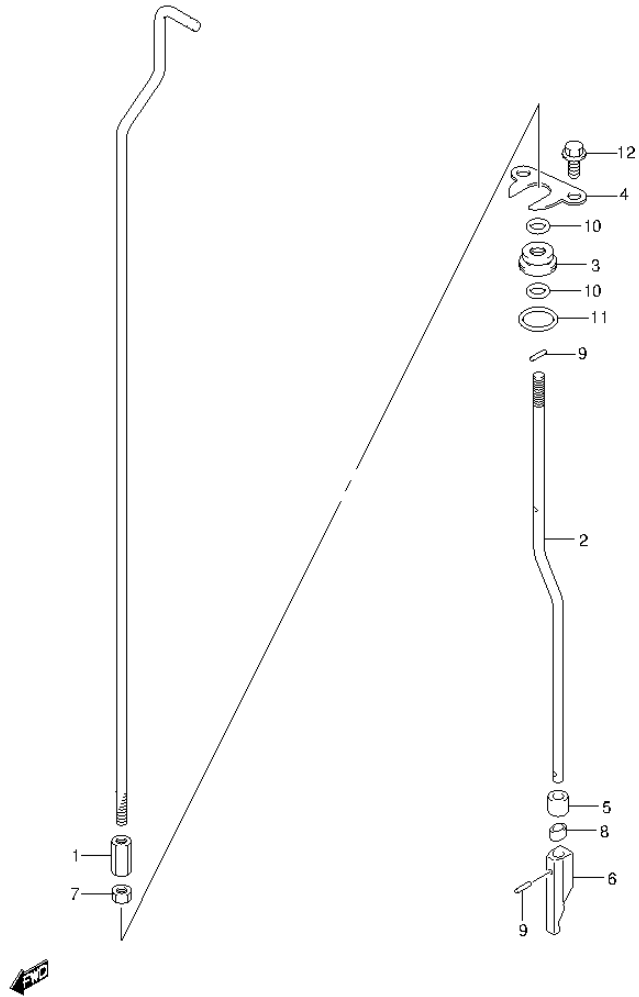


FIG.26 (1-D-3) CLUTCH SHAFT (DF25Q E01)

REF NO.	PART NO.	DESCRIPTION	Q'TY	REMARKS
1	21126-95J01	HOLDER, CLUTCH SHAFT	1	
2	21211-95J01	SHAFT, CLUTCH	1	
3	23111-95J10	ROD, CLUTCH (L)	1	
4	23131-95J00	BOOT, CLUTCH ROD	1	
5	23213-89J01	SPRING, NOTCH PLATE NO.1	1	
6	23214-89J10	SPRING, NOTCH PLATE NO.2	1	
7	09160-05029	WASHER (5.5X12X0.8)	2	
8	09204-01002	PIN	2	
9	09383-04002	E RING	1	
10	01550-06127	BOLT	1	
11	01550-06127	BOLT	2	
12	21111-95J00	LEVER, FRONT SHIFT	1	
13	23115-95J00	LINK, SHIFT LEVER	1	
14	09111-06069	BOLT (6X28.8)	1	
15	09160-06082	WASHER (6.5X13X1.0)	1	
16	09160-08082	WASHER (8.5X16X1.2)	1	
17	09164-08017	WASHER	1	

**FIG.27**



**FIG.27 (1-D-4) CLUTCH ROD**

REF NO.	PART NO.	DESCRIPTION	Q'TY	REMARKS
1	23311-95J00	CONNECTOR, CLUTCH ROD	1	
2	25111-95J20	ROD, SHIFT	1	
3	25211-95J10	GUIDE, SHIFT ROD	1	
4	25215-95J01	STOPPER, SHIFT ROD GUIDE	1	
5	25232-96302	MAGNET, GEAR CASE	1	
6	25311-95J00	CAM, SHIFT	1	
7	29141-93J00	NUT, CLUTCH ROD	1	
8	25231-96301	SPACER, MAGNET	1	
9	09205-02004	SPRING PIN (2.5X12)	2	
10	09280-08005	O RING (D:1.7,ID:7.7)	2	
11	09280-15007	O RING (D:2.4,ID:15.8)	1	
12	29116-93J00	BOLT, SHIFT ROD GUIDE	2	

FIG.28

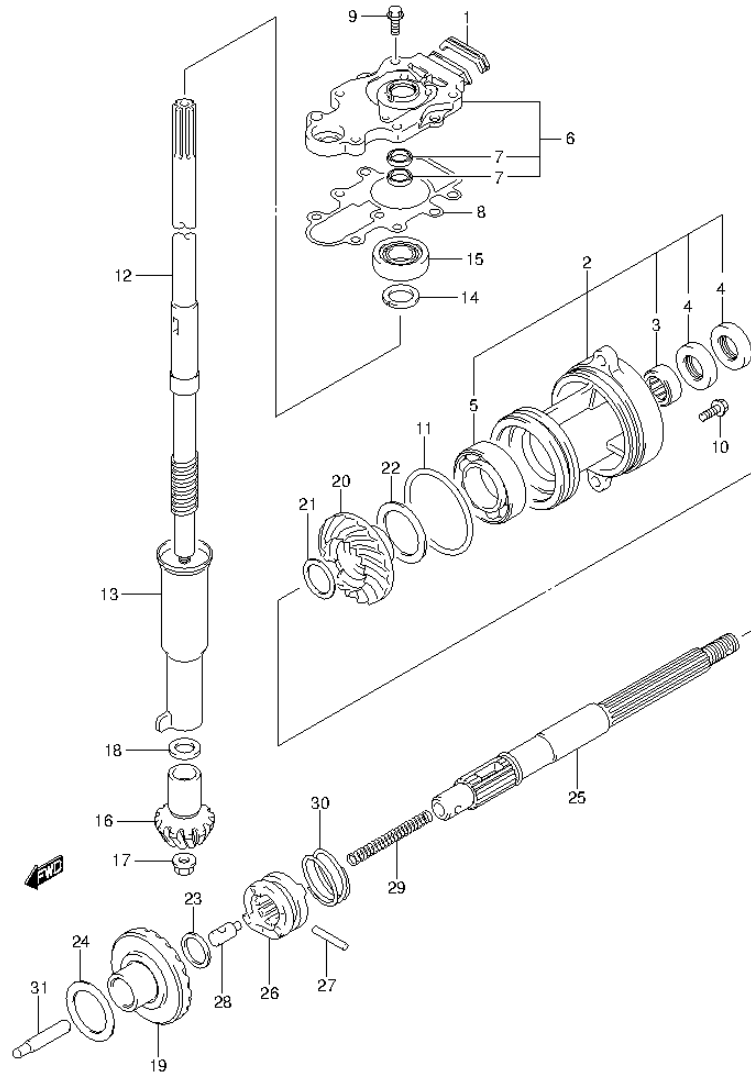
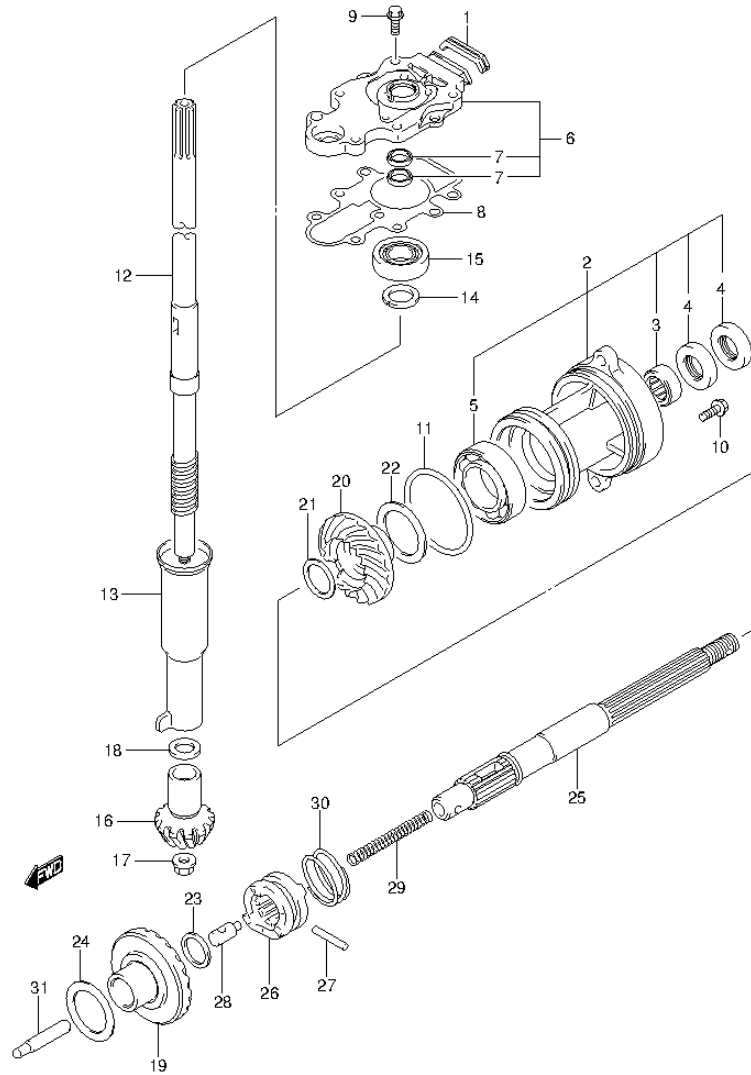


FIG.28 (1-D-5) TRANSMISSION (DF25 E01)

REF NO.	PART NO.	DESCRIPTION	Q'TY	REMARKS
1	55332-95J00	RUBBER, EXHAUST SEAL	1	
2	56120-96332-0EP	HOUSING, PROP SFT BRG (BLACK)	1	
3	09263-20047	.BEARING (20X26X20)	1	
4	09289-20009	.OIL SEAL (20X34X6.5)	2	
5	08113-60060	.BEARING	1	
6	56130-95J02-0EP	HOUSING, DRIVE SHAFT OIL SEAL (BLACK)	1	
7	09282-17006	.OIL SEAL (17X30X4.5)	2	
8	56132-95J00	GASKET, OIL SEAL HOUSING	1	
9	09116-06236	BOLT (6X16)	2	
10	09116-06121	BOLT (6X25)	2	
11	09280-75002	O RING (D:3.5,ID:68.6)	1	
12-1	57110-95J00	SHAFT, DRIVE (S)	1	W/TRANSOM(S)
12-2	57110-95J10	SHAFT, DRIVE (L)	1	W/TRANSOM(L)
13	57133-95J00	COLLAR, DRIVE SHAFT	1	
14	09166-17005	WASHER	1	
15	09265-17002	BEARING (17X40X17.25)	1	
16	57311-96320	PINION (NT:11)	1	
17	09159-08046	NUT	1	
18-1	09160-15030	WASHER (15X20X1.7)	1	
18-2	09160-15031	WASHER (15X20X1.8)	1	
18-3	09160-15032	WASHER (15X20X1.9)	1	
18-4	08211-15203	WASHER	1	
18-5	09160-15033	WASHER (15X20X2.1)	1	
18-6	08211-15204	WASHER	1	
19	57510-89J00	GEAR, FORWARD (NT:23)	1	
20	57521-89J00	GEAR, REVERSE (NT:23)	1	
21-1	09160-20068	WASHER (T:1.6)	1	REV GEAR
21-2	09160-20069	WASHER (T:1.8)	1	
21-3	09160-20070	WASHER (T:2.0)	1	
21-4	09160-20071	WASHER (T:2.2)	1	
21-5	09160-20072	WASHER (T:2.4)	1	
21-6	09160-20073	WASHER (T:2.6)	1	

FIG.28



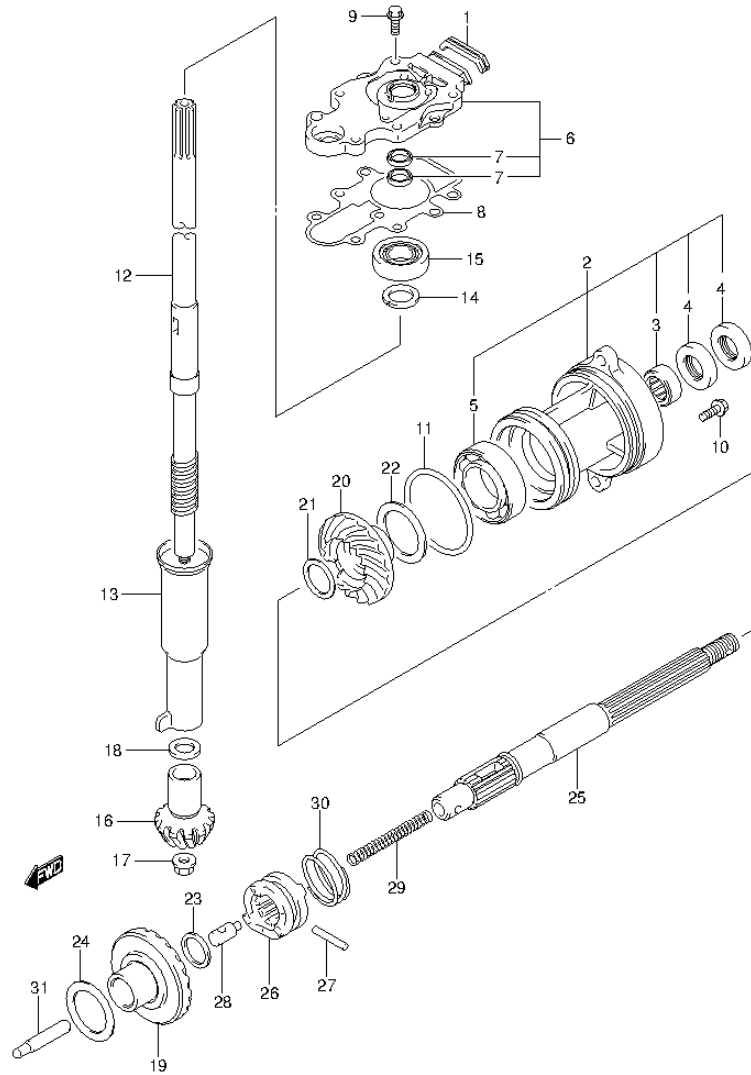
DF25\_E01\_013\_028  
TRANSMISSION

FIG.28 (1-D-6) TRANSMISSION (DF25 E01)

REF NO.	PART NO.	DESCRIPTION	Q'TY	REMARKS
22-1	08221-30404	SHIM (T:0.2)	1	REV GEAR
22-2	09181-30158	SHIM (T:0.5)	1	
22-3	09181-30162	SHIM (T:0.8)	1	
22-4	09181-30167	SHIM (T:1.0)	1	
23	09181-16008	SHIM (16X24X2)	1	FWD GEAR
24-1	09181-25190	SHIM (25X36X0.8)	1	FWD GEAR
24-2	09181-25248	SHIM (25X40X0.9)	1	
24-3	09181-25251	SHIM (25X40X1)	1	
24-4	09160-25032	WASHER (25X40X1.1)	1	
24-5	09160-25033	WASHER (25X40X1.2)	1	
24-6	09160-25034	WASHER (25X40X1.3)	1	
24-7	09160-25035	WASHER (25X40X1.4)	1	
24-8	09181-25268	SHIM (25X40X1.5)	1	
25	57610-96311	SHAFT, PROPELLER	1	
26	57621-89J10	SHIFTER, CLUTCH DOG	1	
27	09202-05021	PIN (5X34)	1	
28	09209-08016	PIN	1	
29	09440-07074	SPRING	1	
30	09440-35004	SPRING	1	
31	57631-95J00	ROD, PUSH	1	

DF25\_E01\_013

FIG.29



DF25\_E01\_013\_029  
TRANSMISSION

FIG.29 (1-D-7) TRANSMISSION (DF25R E01)

REF NO.	PART NO.	DESCRIPTION	Q'TY	REMARKS
1	55332-95J00	RUBBER, EXHAUST SEAL	1	
2	56120-96332-0EP	HOUSING, PROP SFT BRG (BLACK)	1	
3	09263-20047	.BEARING (20X26X20)	1	
4	09289-20009	.OIL SEAL (20X34X6.5)	2	
5	08113-60060	.BEARING	1	
6	56130-95J02-0EP	HOUSING, DRIVE SHAFT OIL SEAL (BLACK)	1	
7	09282-17006	.OIL SEAL (17X30X4.5)	2	
8	56132-95J00	GASKET, OIL SEAL HOUSING	1	
9	09116-06236	BOLT (6X16)	2	
10	09116-06121	BOLT (6X25)	2	
11	09280-75002	O RING (D:3.5, ID:68.6)	1	
12-1	57110-95J00	SHAFT, DRIVE (S)	1	W/TRANSOM(S)
12-2	57110-95J10	SHAFT, DRIVE (L)	1	W/TRANSOM(L)
13	57133-95J00	COLLAR, DRIVE SHAFT	1	
14	09166-17005	WASHER	1	
15	09265-17002	BEARING (17X40X17.25)	1	
16	57311-96320	PINION (NT:11)	1	
17	09159-08046	NUT	1	
18-1	09160-15030	WASHER (15X20X1.7)	1	
18-2	09160-15031	WASHER (15X20X1.8)	1	
18-3	09160-15032	WASHER (15X20X1.9)	1	
18-4	08211-15203	WASHER	1	
18-5	09160-15033	WASHER (15X20X2.1)	1	
18-6	08211-15204	WASHER	1	
19	57510-89J00	GEAR, FORWARD (NT:23)	1	
20	57521-89J00	GEAR, REVERSE (NT:23)	1	
21-1	09160-20068	WASHER (T:1.6)	1	REV GEAR
21-2	09160-20069	WASHER (T:1.8)	1	
21-3	09160-20070	WASHER (T:2.0)	1	
21-4	09160-20071	WASHER (T:2.2)	1	
21-5	09160-20072	WASHER (T:2.4)	1	
21-6	09160-20073	WASHER (T:2.6)	1	

DF25\_E01\_013



FIG.29

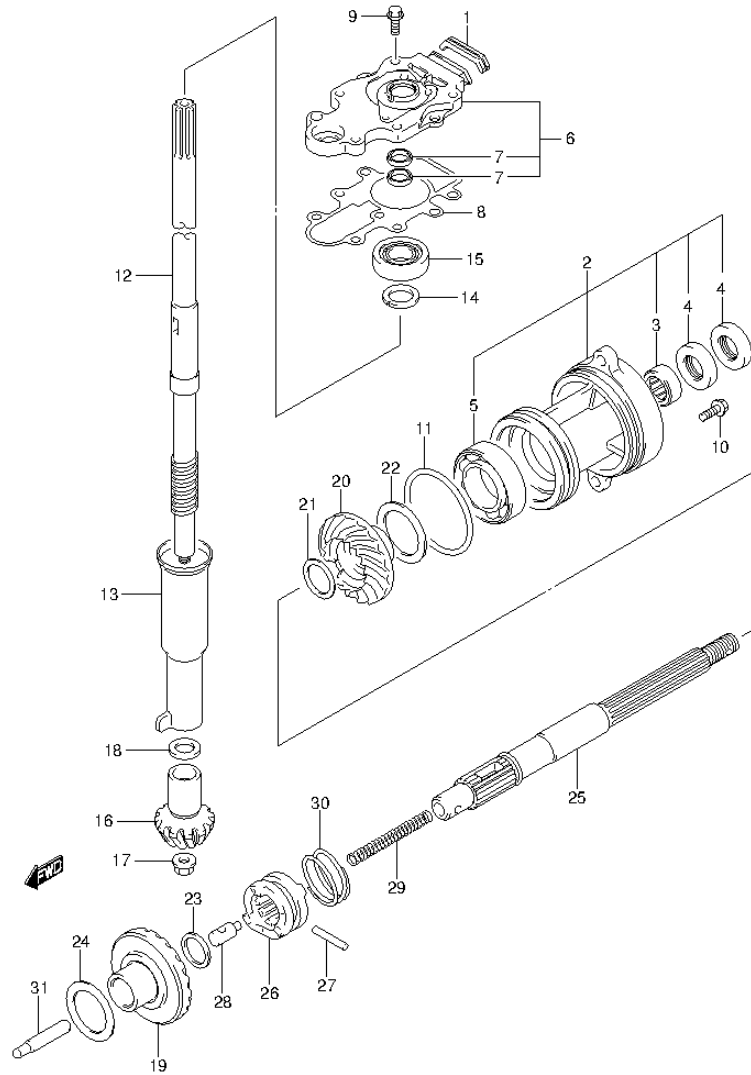


FIG.29 (1-D-8) TRANSMISSION (DF25R E01)

REF NO.	PART NO.	DESCRIPTION	Q'TY	REMARKS
22-1	08221-30404	SHIM (T:0.2)	1	REV GEAR
22-2	09181-30158	SHIM (T:0.5)	1	
22-3	09181-30162	SHIM (T:0.8)	1	
22-4	09181-30167	SHIM (T:1.0)	1	
23	09181-16008	SHIM (16X24X2)	1	FWD GEAR
24-1	09181-25190	SHIM (25X36X0.8)	1	FWD GEAR
24-2	09181-25248	SHIM (25X40X0.9)	1	
24-3	09181-25251	SHIM (25X40X1)	1	
24-4	09160-25032	WASHER (25X40X1.1)	1	
24-5	09160-25033	WASHER (25X40X1.2)	1	
24-6	09160-25034	WASHER (25X40X1.3)	1	
24-7	09160-25035	WASHER (25X40X1.4)	1	
24-8	09181-25268	SHIM (25X40X1.5)	1	
25	57610-96311	SHAFT, PROPELLER	1	
26	57621-89J10	SHIFTER, CLUTCH DOG	1	
27	09202-05021	PIN (5X34)	1	
28	09209-08016	PIN	1	
29	09440-07074	SPRING	1	
30	09440-35004	SPRING	1	
31	57631-95J00	ROD, PUSH	1	

FIG.30

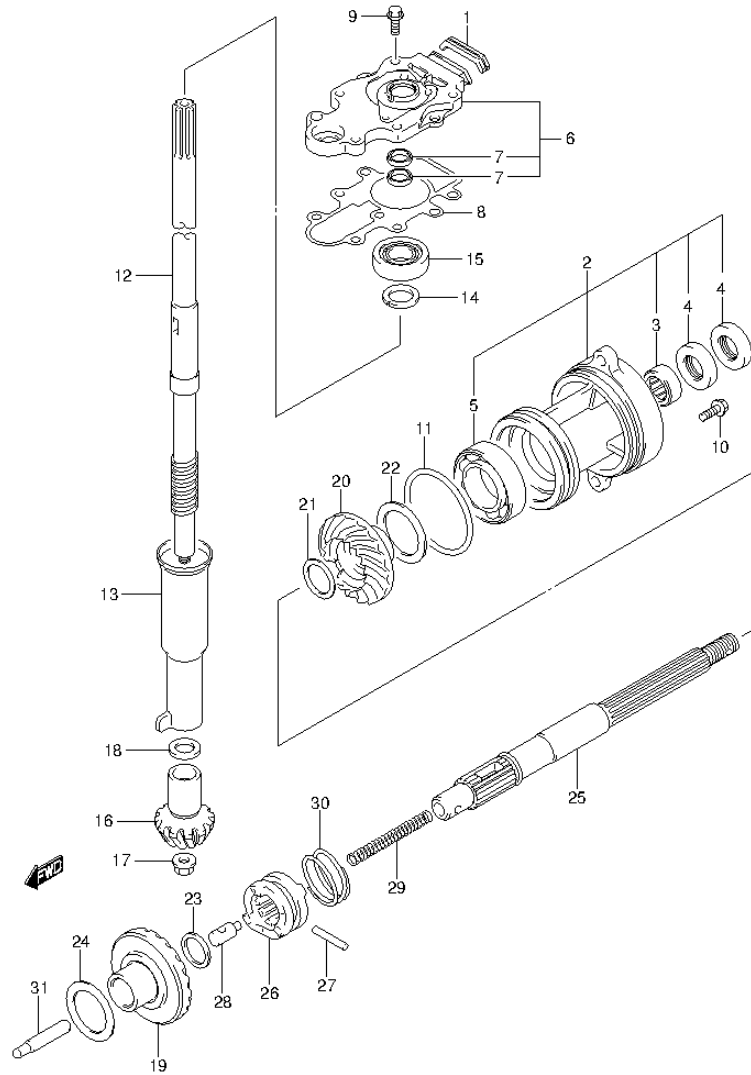


FIG.30 (1-D-9) TRANSMISSION (DF25Q E01)

REF NO.	PART NO.	DESCRIPTION	Q'TY	REMARKS
1	55332-95J00	RUBBER, EXHAUST SEAL	1	
2	56120-96332-0EP	HOUSING, PROP SFT BRG (BLACK)	1	
3	09263-20047	.BEARING (20X26X20)	1	
4	09289-20009	.OIL SEAL (20X34X6.5)	2	
5	08113-60060	.BEARING	1	
6	56130-95J02-0EP	HOUSING, DRIVE SHAFT OIL SEAL (BLACK)	1	
7	09282-17006	.OIL SEAL (17X30X4.5)	2	
8	56132-95J00	GASKET, OIL SEAL HOUSING	1	
9	09116-06236	BOLT (6X16)	2	
10	09116-06121	BOLT (6X25)	2	
11	09280-75002	O RING (D:3.5,ID:68.6)	1	
12	57110-95J10	SHAFT, DRIVE (L)	1	
13	57133-95J00	COLLAR, DRIVE SHAFT	1	
14	09166-17005	WASHER	1	
15	09265-17002	BEARING (17X40X17.25)	1	
16	57311-96320	PINION (NT:11)	1	
17	09159-08046	NUT	1	
18-1	09160-15030	WASHER (15X20X1.7)	1	
18-2	09160-15031	WASHER (15X20X1.8)	1	
18-3	09160-15032	WASHER (15X20X1.9)	1	
18-4	08211-15203	WASHER	1	
18-5	09160-15033	WASHER (15X20X2.1)	1	
18-6	08211-15204	WASHER	1	
19	57510-89J00	GEAR, FORWARD (NT:23)	1	
20	57521-89J00	GEAR, REVERSE (NT:23)	1	
21-1	09160-20068	WASHER (T:1.6)	1	REV GEAR
21-2	09160-20069	WASHER (T:1.8)	1	
21-3	09160-20070	WASHER (T:2.0)	1	
21-4	09160-20071	WASHER (T:2.2)	1	
21-5	09160-20072	WASHER (T:2.4)	1	
21-6	09160-20073	WASHER (T:2.6)	1	

FIG.30

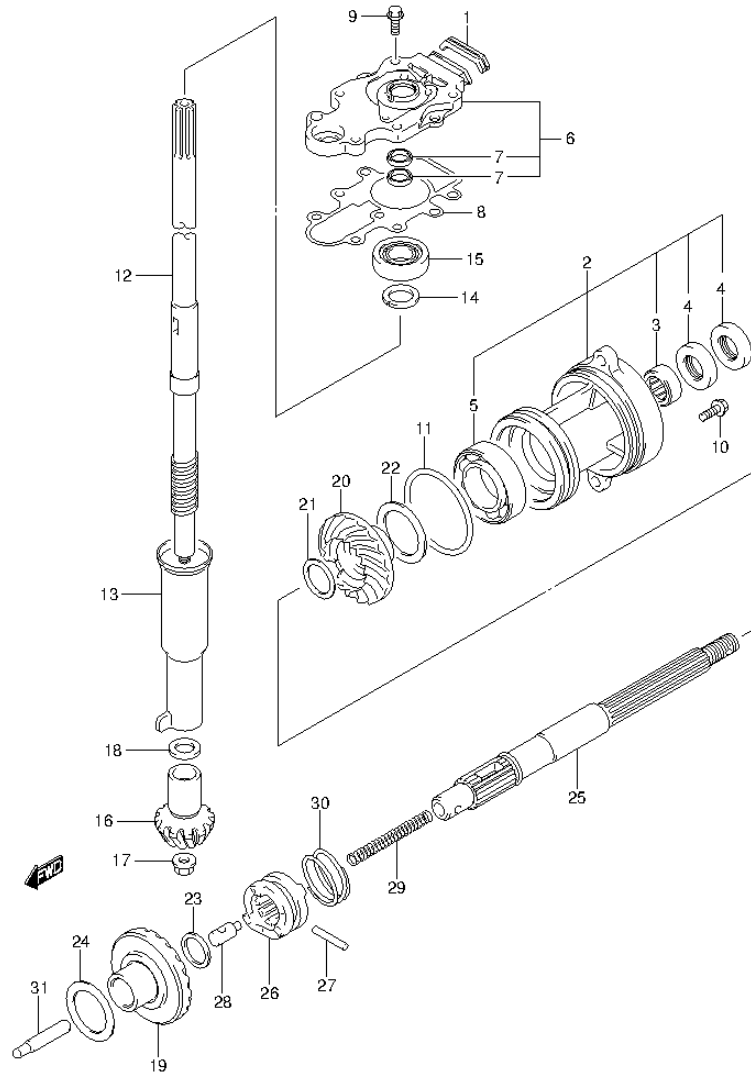


FIG.30 (1-D-10) TRANSMISSION (DF25Q E01)

REF NO.	PART NO.	DESCRIPTION	Q'TY	REMARKS
22-1	08221-30404	SHIM (T:0.2)	1	REV GEAR
22-2	09181-30158	SHIM (T:0.5)	1	
22-3	09181-30162	SHIM (T:0.8)	1	
22-4	09181-30167	SHIM (T:1.0)	1	
23	09181-16008	SHIM (16X24X2)	1	FWD GEAR
24-1	09181-25190	SHIM (25X36X0.8)	1	FWD GEAR
24-2	09181-25248	SHIM (25X40X0.9)	1	
24-3	09181-25251	SHIM (25X40X1)	1	
24-4	09160-25032	WASHER (25X40X1.1)	1	
24-5	09160-25033	WASHER (25X40X1.2)	1	
24-6	09160-25034	WASHER (25X40X1.3)	1	
24-7	09160-25035	WASHER (25X40X1.4)	1	
24-8	09181-25268	SHIM (25X40X1.5)	1	
25	57610-96311	SHAFT, PROPELLER	1	
26	57621-89J10	SHIFTER, CLUTCH DOG	1	
27	09202-05021	PIN (5X34)	1	
28	09209-08016	PIN	1	
29	09440-07074	SPRING	1	
30	09440-35004	SPRING	1	
31	57631-95J00	ROD, PUSH	1	

FIG.31

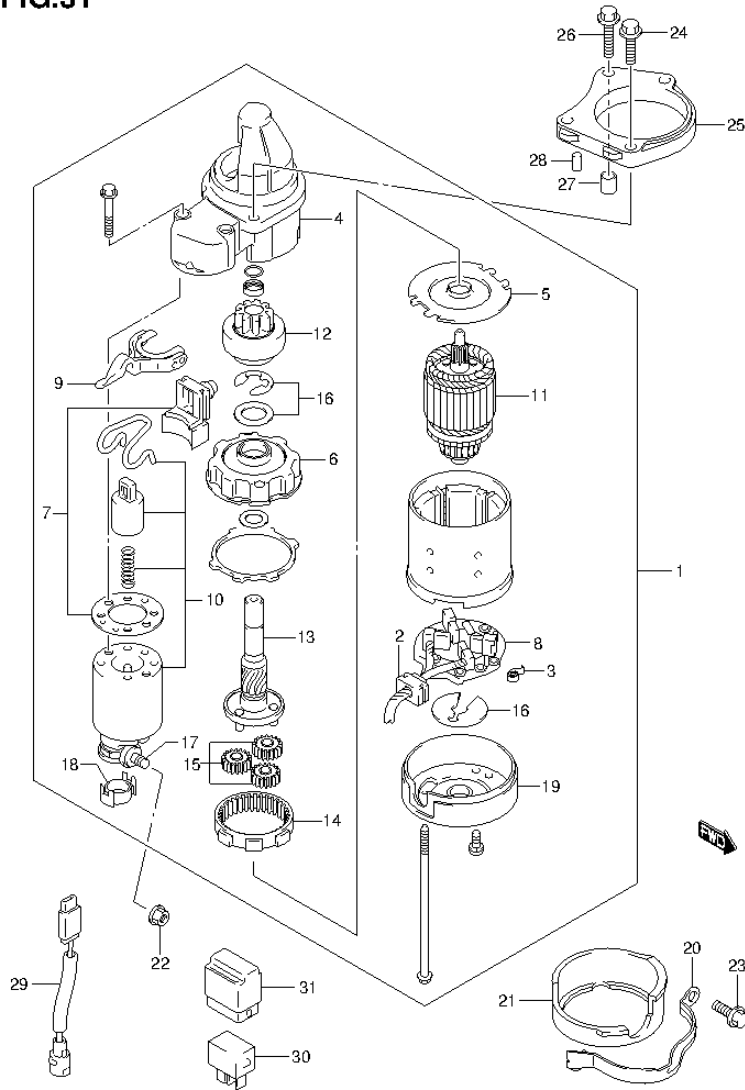


FIG.31 (1-D-11) STARTING MOTOR

REF NO.	PART NO.	DESCRIPTION	Q'TY	REMARKS
1	31100-95J01	STARTING MOTOR	1	
2	31131-94J00	.BRUSH SET, PLUS	1	
3	31135-90J00	.SPRING	4	
4	31151-94J00	.CASE, GEAR	1	
5	31152-90J00	.PLATE, CENTER	1	
6	31153-90J00	.BRACKET, PLANET GEAR	1	
7	31171-96J00	.COVER KIT, DUST	1	
8	31173-94J00	.HOLDER ASSY, BRUSH	1	
9	31191-96J00	.LEVER, SHIFT	1	
10	31220-94J00	.SWITCH, MAGNET	1	
11	31310-90J00	.ARMATURE	1	
12	31320-94J00	.PINION	1	
13	31341-94J00	.SHAFT, PINION	1	
14	31343-90J00	.INTERNAL GEAR	1	
15	31344-90J00	.GEAR, PLANETARY	3	
16	31360-93J01	.WASHER SET	1	
17	31913-93J00	.TERMINAL	1	
18	31914-93J00	.CAP, TERMINAL	1	
19	31170-94J00	.COVER ASSY, STARTER MOTOR REAR		
20	31912-95J00	BAND, STARTER MOTOR	1	
21	31918-95J00	DAMPER, LOWER	1	
22	08316-10087	NUT	1	
23	01550-08207	BOLT	2	
24	01550-08257	BOLT	2	
25	31911-95J00	BRACKET, STARTER MOTOR	1	
26	01550-08307	BOLT	2	
27	04211-11129	PIN	1	
28	04221-06129	PIN	1	
29	36645-94J00	LEAD WIRE, STARTER MOTOR	1	
30	38860-76F01	RELAY ASSY, STARTER MOTOR	1	
31	38915-90J00	HOLDER, RELAY	1	

FIG.32

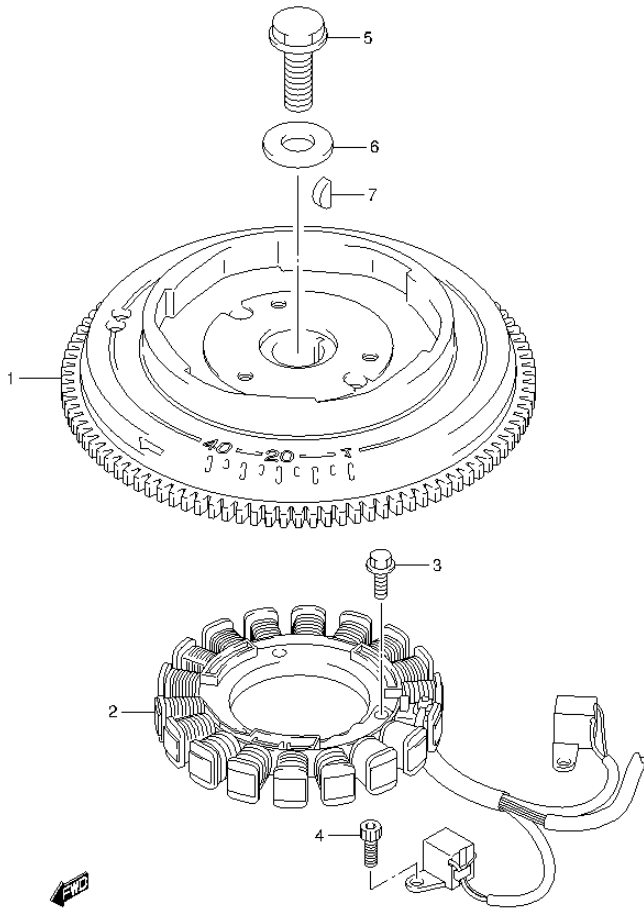


FIG.32 (1-D-12) MAGNETO (DF25 E01)

REF NO.	PART NO.	DESCRIPTION	Q'TY	REMARKS
1-1	32102-95J00	FLYWHEEL	1	W/ELECTRIC STARTER
1-2	32102-95J10	FLYWHEEL	1	W/MANUAL STARTER
2-1	32120-95J00	COIL, STATOR & PULSER	1	W/ELECTRIC STARTER
2-2	32120-95J10	COIL, STATOR & PULSER	1	W/MANUAL STARTER
3	01550-06257	BOLT	3	
4	09106-05030	BOLT (5X10)	4	
5	09103-16005	BOLT	1	
6	09160-16046	WASHER (16.5X36X4.5)	1	
7	09420-04008	KEY	1	

FIG.33

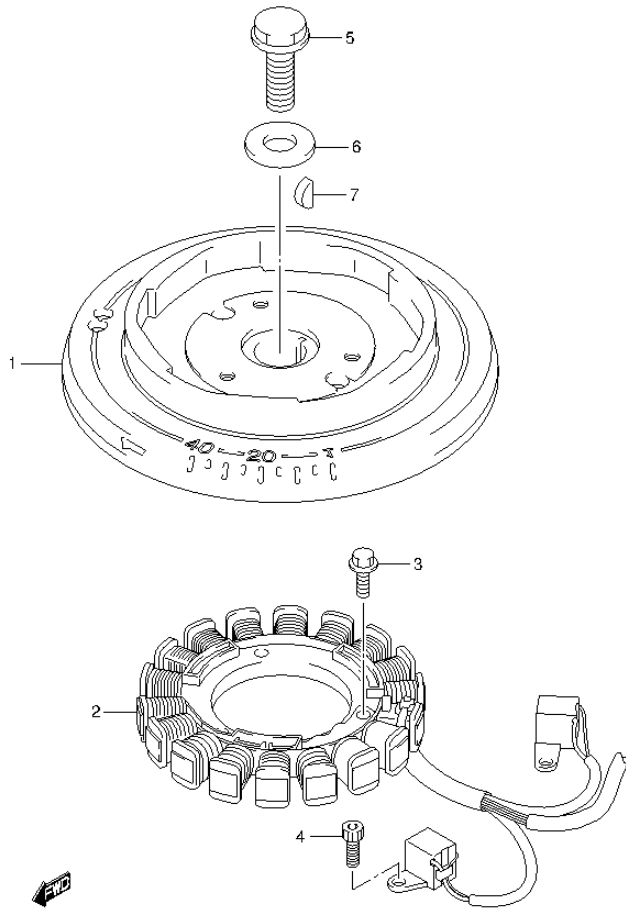


FIG.33 (1-D-13) MAGNETO (DF25R E01)

REF NO.	PART NO.	DESCRIPTION	Q'TY	REMARKS
1	32102-95J00	FLYWHEEL	1	
2	32120-95J00	COIL, STATOR & PULSER	1	
3	01550-06257	BOLT	3	
4	09106-05030	BOLT (5X10)	4	
5	09103-16005	BOLT	1	
6	09160-16046	WASHER (16.5X36X4.5)	1	
7	09420-04008	KEY	1	

FIG.34

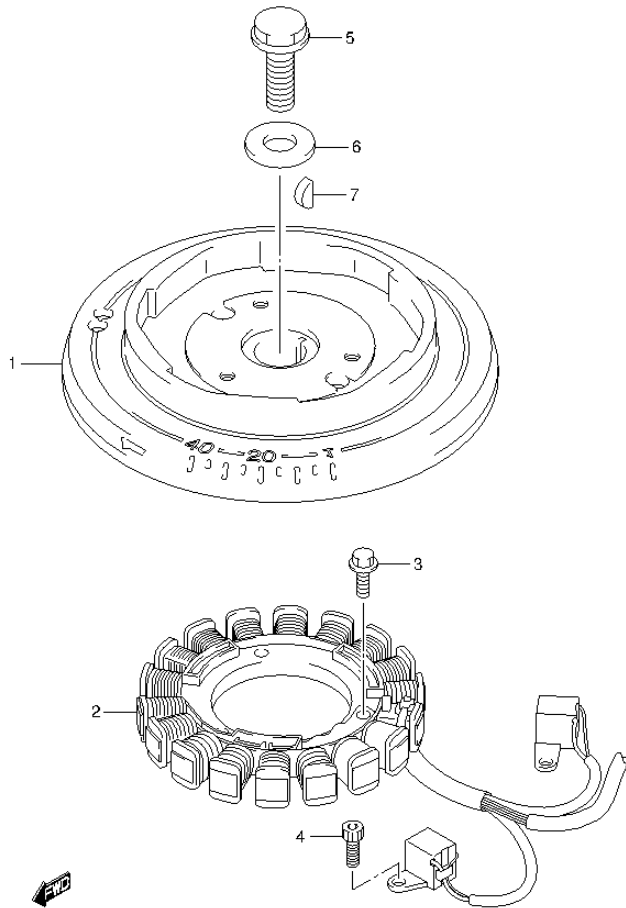
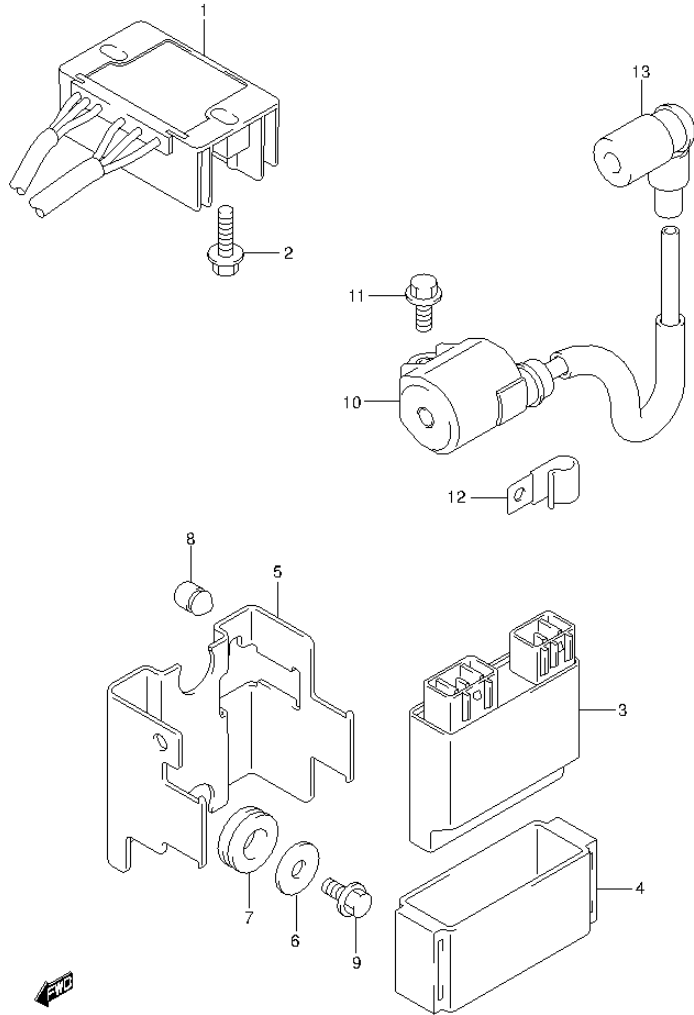


FIG.34 (1-D-14) MAGNETO (DF25Q E01)

REF NO.	PART NO.	DESCRIPTION	Q'TY	REMARKS
1	32102-95J00	FLYWHEEL	1	
2	32120-95J00	COIL, STATOR & PULSER	1	
3	01550-06257	BOLT	3	
4	09106-05030	BOLT (5X10)	4	
5	09103-16005	BOLT	1	
6	09160-16046	WASHER (16.5X36X4.5)	1	
7	09420-04008	KEY	1	

**FIG.35**

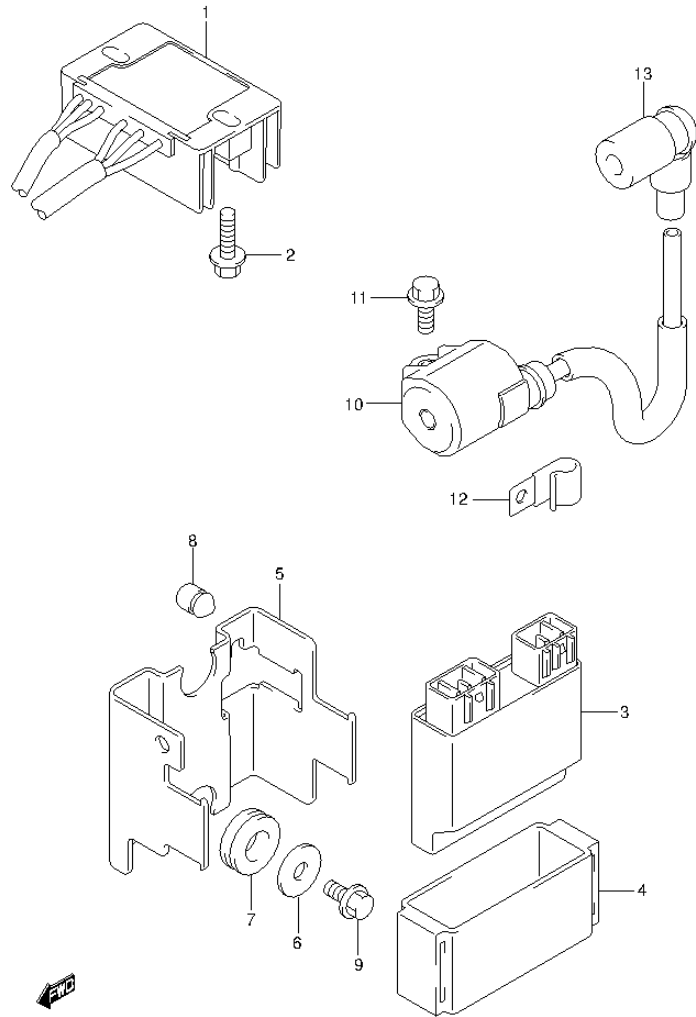


**FIG.35 (1-D-15) RECTIFIER/IGNITION COIL (DF25 E01)**

REF NO.	PART NO.	DESCRIPTION	Q'TY	REMARKS
1	32800-95J01	RECTIFIER & REGULATOR ASSY	1	W/ELECTRIC STARTER
2	01550-06257	BOLT	2	W/ELECTRIC STARTER
3	32900-95J00	UNIT, CDI	1	
4	32980-38F00	HOLDER, CDI UNIT	1	
5	32890-95J01	HOLDER, ELECTRIC PARTS	1	
6	09160-06054	WASHER (6.5X22X1.6)	2	
7	09320-12011	CUSHION	2	
8	09321-06013	CUSHION	2	
9	01550-06127	BOLT	2	
10	33410-95J00	COIL ASSY, IGNITION	2	
11	01550-06167	BOLT	2	
12	09403-09316	CLAMP	2	
13	33510-93E00	CAP ASSY, SPARK PLUG	2	



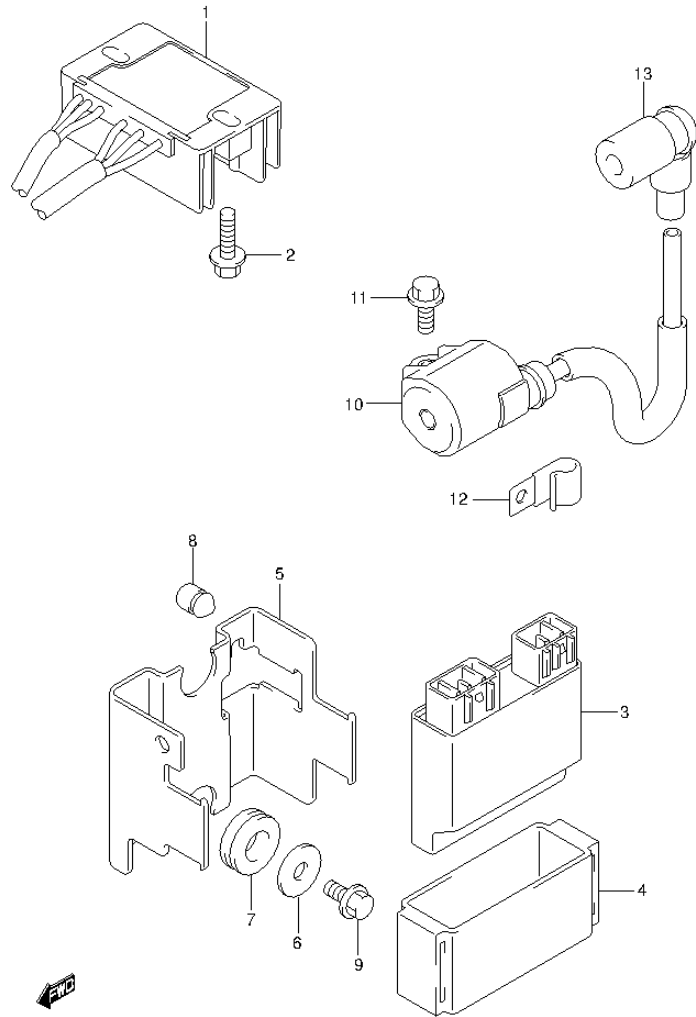
**FIG.36**



**FIG.36 (1-E-2) RECTIFIER/IGNITION COIL (DF25R E01)**

REF NO.	PART NO.	DESCRIPTION	Q'TY	REMARKS
1	32800-95J01	RECTIFIER & REGULATOR ASSY	1	
2	01550-06257	BOLT	2	
3	32900-95J00	UNIT, CDI	1	
4	32980-38F00	HOLDER, CDI UNIT	1	
5	32890-95J01	HOLDER, ELECTRIC PARTS	1	
6	09160-06054	WASHER (6.5X22X1.6)	2	
7	09320-12011	CUSHION	2	
8	09321-06013	CUSHION	2	
9	01550-06127	BOLT	2	
10	33410-95J00	COIL ASSY, IGNITION	2	
11	01550-06167	BOLT	2	
12	09403-09316	CLAMP	2	
13	33510-93E00	CAP ASSY, SPARK PLUG	2	

**FIG.37**



**FIG.37 (1-E-3) RECTIFIER/IGNITION COIL (DF25Q E01)**

REF NO.	PART NO.	DESCRIPTION	Q'TY	REMARKS
1	32800-95J01	RECTIFIER & REGULATOR ASSY	1	
2	01550-06257	BOLT	2	
3	32900-95J00	UNIT, CDI	1	
4	32980-38F00	HOLDER, CDI UNIT	1	
5	32890-95J01	HOLDER, ELECTRIC PARTS	1	
6	09160-06054	WASHER (6.5X22X1.6)	2	
7	09320-12011	CUSHION	2	
8	09321-06013	CUSHION	2	
9	01550-06127	BOLT	2	
10	33410-95J00	COIL ASSY, IGNITION	2	
11	01550-06167	BOLT	2	
12	09403-09316	CLAMP	2	
13	33510-93E00	CAP ASSY, SPARK PLUG	2	

FIG.38

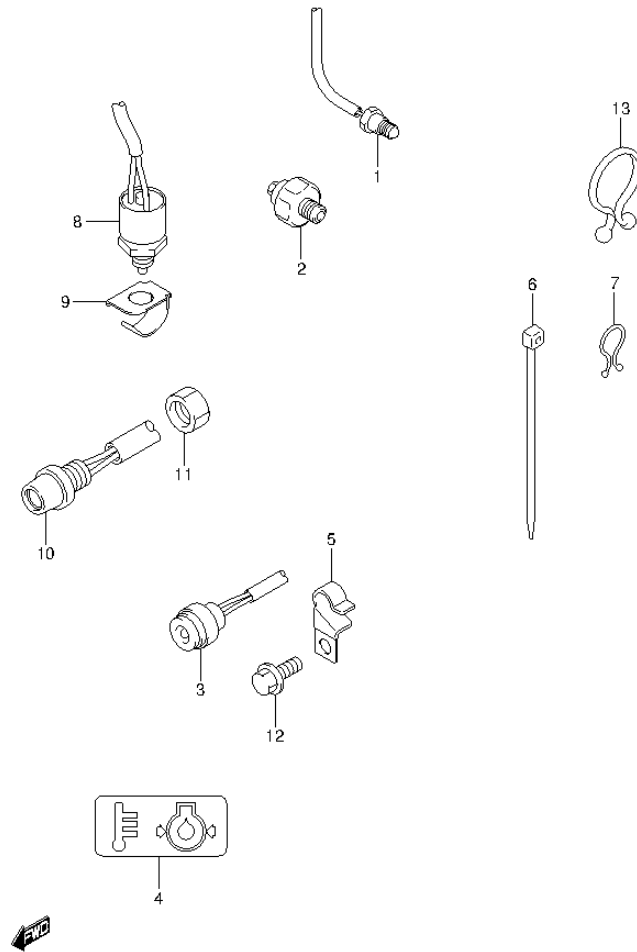


FIG.38 (1-E-4) SENSOR/SWITCH (DF25 E01)

REF NO.	PART NO.	DESCRIPTION	Q'TY	REMARKS
1	34830-87J20	SENSOR ASSY, TEMP	1	
2	37820-95J00	SWITCH ASSY, OIL PRESSURE	1	
3	36360-89J00	INDICATOR ASSY, WARNING	1	
4	36367-89J00	LABEL, WARNING	1	
5	09403-12308	CLAMP	1	
6	09407-10404	CLAMP (L:100)	1	W/MANUAL STARER
7	09408-00012	CLIP (ID:11.5)	1	
8	37721-95J01	SWITCH ASSY, NEUTRAL	1	
9	37725-95600	ACTUATOR, NEUTRAL SWITCH	1	
10	37161-89E13	SWITCH ASSY, START	1	W/ELECTRIC SATRTER
11	09159-14032	NUT	1	W/ELECTRIC SATRTER
12	01550-08127	BOLT	1	W/MANUAL STARTER
13	09408-00024	CLIP (ID:23)	1	W/ELECTRIC STARTER

FIG.39

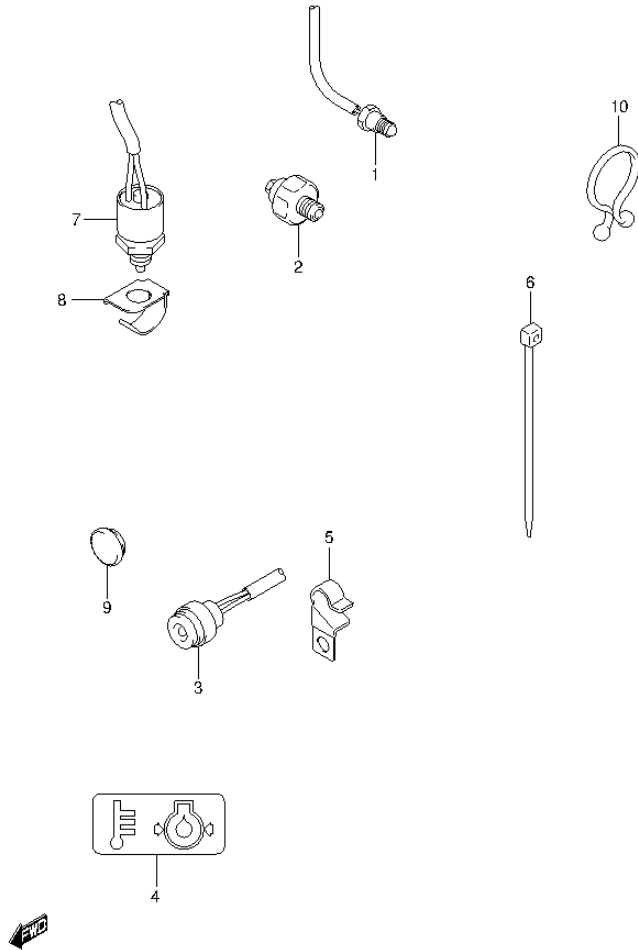


FIG.39 (1-E-5) SENSOR/SWITCH (DF25R E01)

REF NO.	PART NO.	DESCRIPTION	Q'TY	REMARKS
1	34830-87J20	SENSOR ASSY, TEMP	1	
2	37820-95J00	SWITCH ASSY, OIL PRESSURE	1	
3	36360-89J00	INDICATOR ASSY, WARNING	1	
4	36367-89J00	LABEL, WARNING	1	
5	09403-12308	CLAMP	1	
6	09407-10404	CLAMP (L:100)	1	
7	37721-95J01	SWITCH ASSY, NEUTRAL	1	
8	37725-95600	ACTUATOR, NEUTRAL SWITCH	1	
9	37163-95J00	PLUG, STARTING SWITCH HOLE	1	
10	09408-00024	CLIP (ID:23)	1	

FIG.40

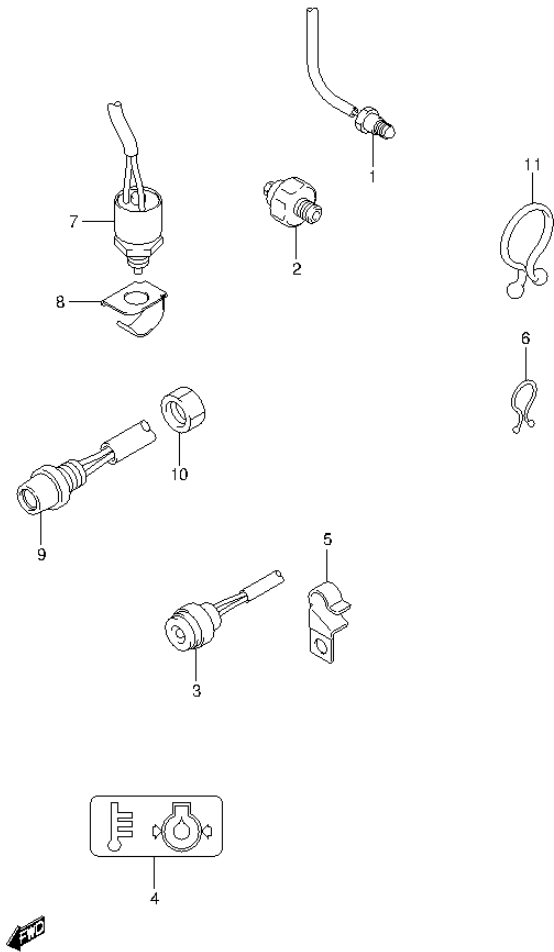
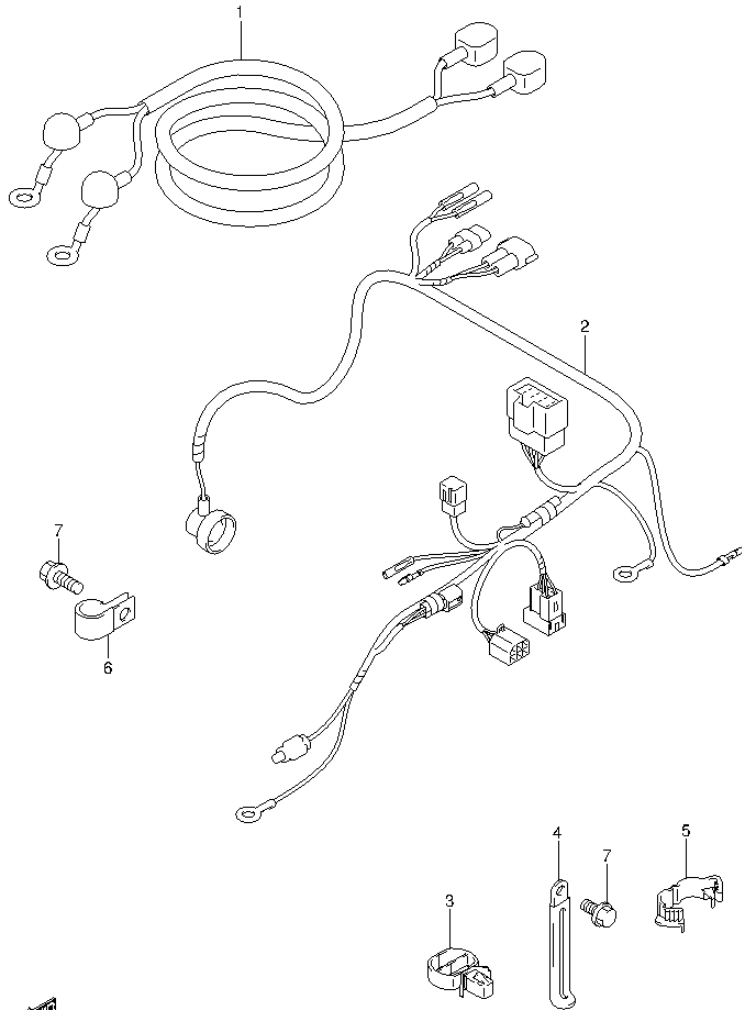


FIG.40 (1-E-6) SENSOR/SWITCH (DF25Q E01)

REF NO.	PART NO.	DESCRIPTION	Q'TY	REMARKS
1	34830-87J20	SENSOR ASSY, TEMP	1	
2	37820-95J00	SWITCH ASSY, OIL PRESSURE	1	
3	36360-89J00	INDICATOR ASSY, WARNING	1	
4	36367-89J00	LABEL, WARNING	1	
5	09403-12308	CLAMP	1	
6	09408-00012	CLIP (ID:11.5)	1	
7	37721-95J01	SWITCH ASSY, NEUTRAL	1	
8	37725-95600	ACTUATOR, NEUTRAL SWITCH	1	
9	37161-89E13	SWITCH ASSY, START	1	
10	09159-14032	NUT	1	
11	09408-00024	CLIP (ID:23)	1	

**FIG.41**



**FIG.41 (1-E-7) HARNESS (DF25 E01)**

REF NO.	PART NO.	DESCRIPTION	Q'TY	REMARKS
1	33810-95J00	CABLE ASSY, STARTER	1	W/ELECTRIC STARTER
2-1	36610-95J01	HARNESS ASSY, WIRING	1	W/ELECTRIC STARTER
2-2	36610-95J10	HARNESS ASSY, WIRING	1	MANUAL STARTER
3	09403-14315	CLAMP	2	
4-1	29404-93J10	CLAMP, HARNESS	5	W/ELECTRIC STARTER
4-2	29404-93J10	CLAMP, HARNESS	4	W/MANUAL STARTER
5	09408-00184	CLAMP	1	
6	09403-13408	CLAMP	2	
7-1	01550-06127	BOLT	5	W/ELECTRIC STARTER
7-2	01550-06127	BOLT	4	W/MANUAL STARTER



FIG.42

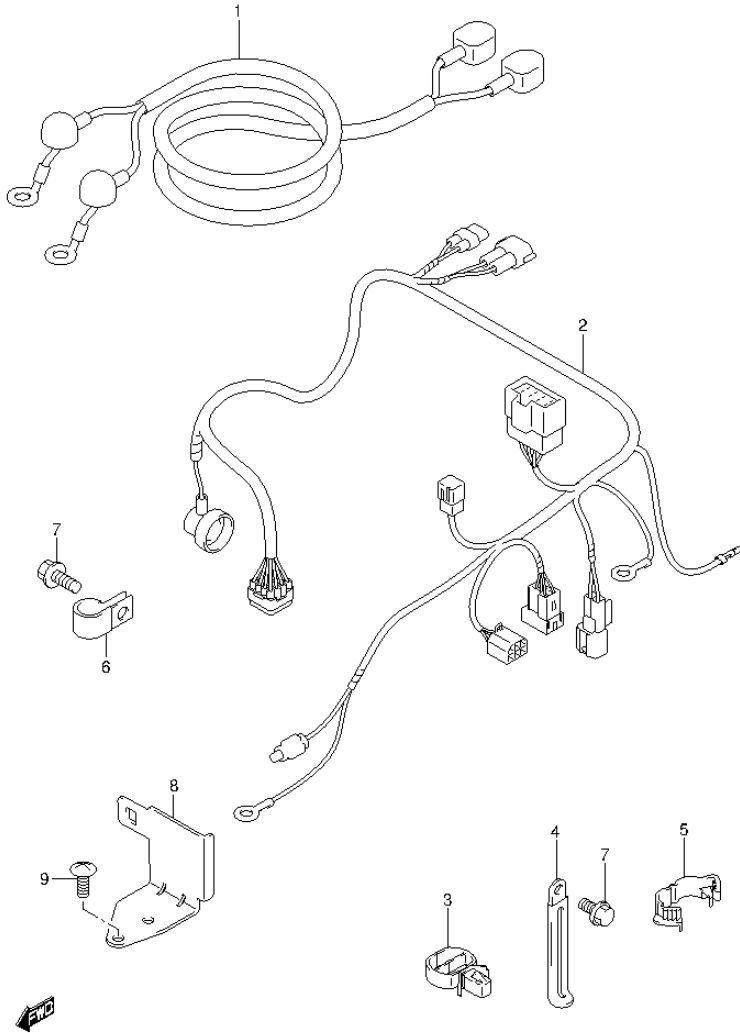


FIG.42 (1-E-8) HARNESS (DF25R E01)

REF NO.	PART NO.	DESCRIPTION	Q'TY	REMARKS
1	33810-95J00	CABLE ASSY, STARTER	1	
2	36610-95J20	HARNESS ASSY, WIRING	1	
3	09403-14315	CLAMP	2	
4	29404-93J10	CLAMP, HARNESS	5	
5	09408-00184	CLAMP	1	
6	09403-13408	CLAMP	2	
7	01550-06127	BOLT	4	
8	36616-95J00	HOLDER, CONNECTOR	1	
9	02142-06167	SCREW	2	

FIG.43

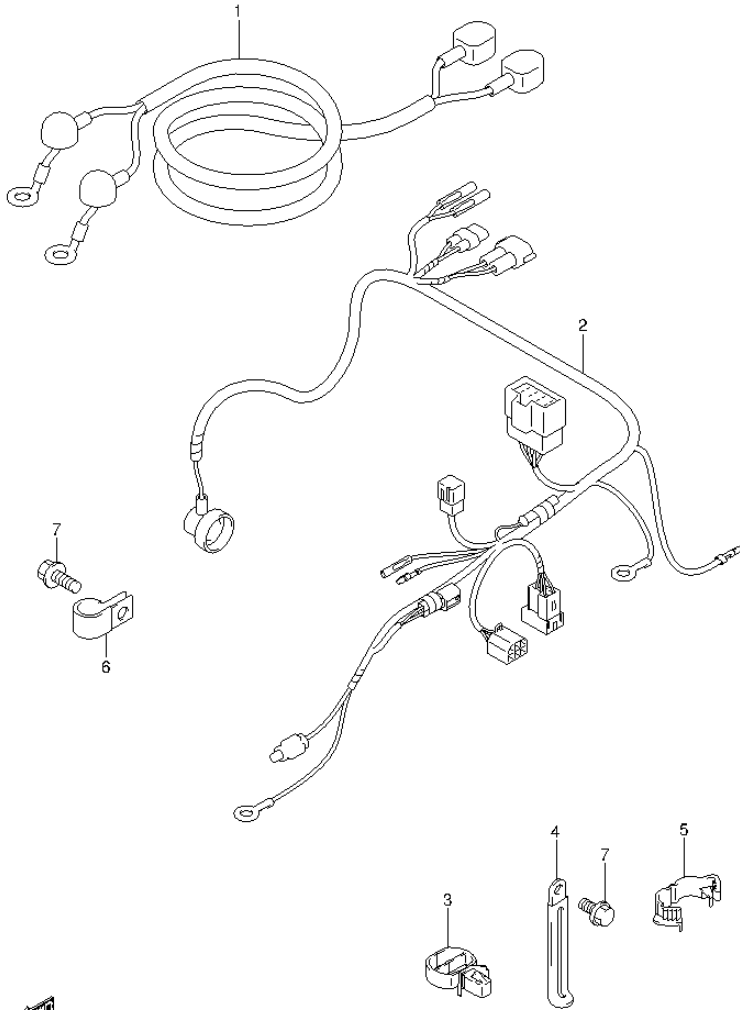
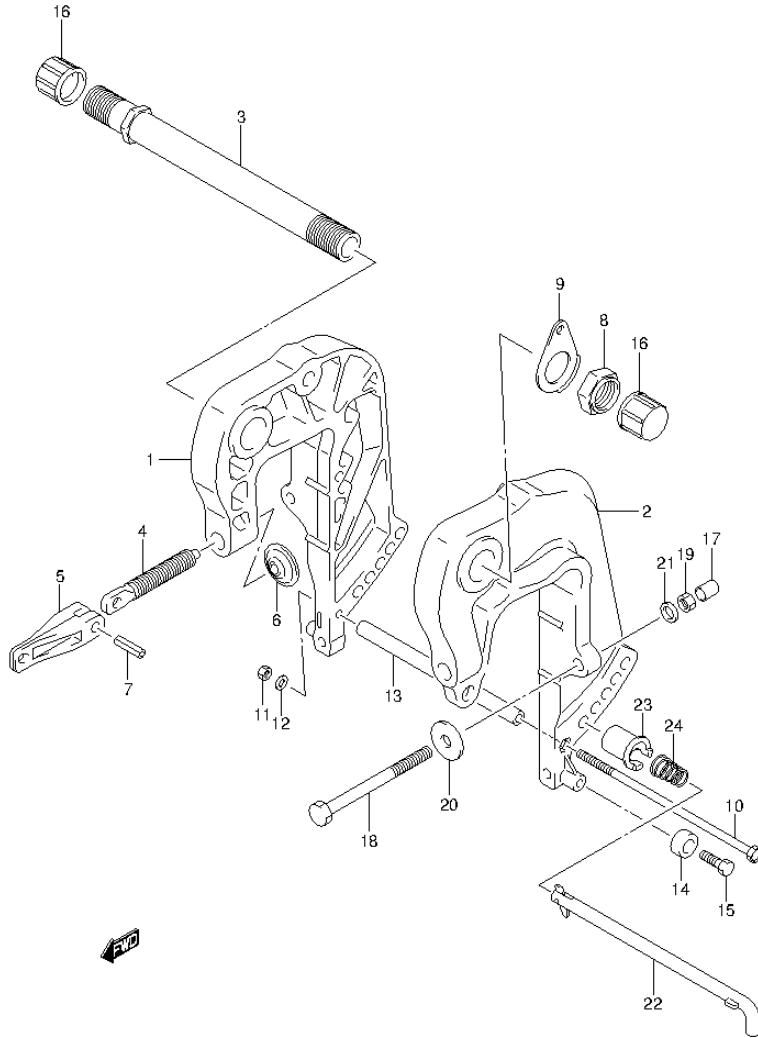


FIG.43 (1-E-9) HARNESS (DF25Q E01)

REF NO.	PART NO.	DESCRIPTION	Q'TY	REMARKS
1	33810-95J00	CABLE ASSY, STARTER	1	
2	36610-95J01	HARNESS ASSY, WIRING	1	
3	09403-14315	CLAMP	2	
4	29404-93J10	CLAMP, HARNESS	5	
5	09408-00184	CLAMP	1	
6	09403-13408	CLAMP	2	
7	01550-06127	BOLT	5	



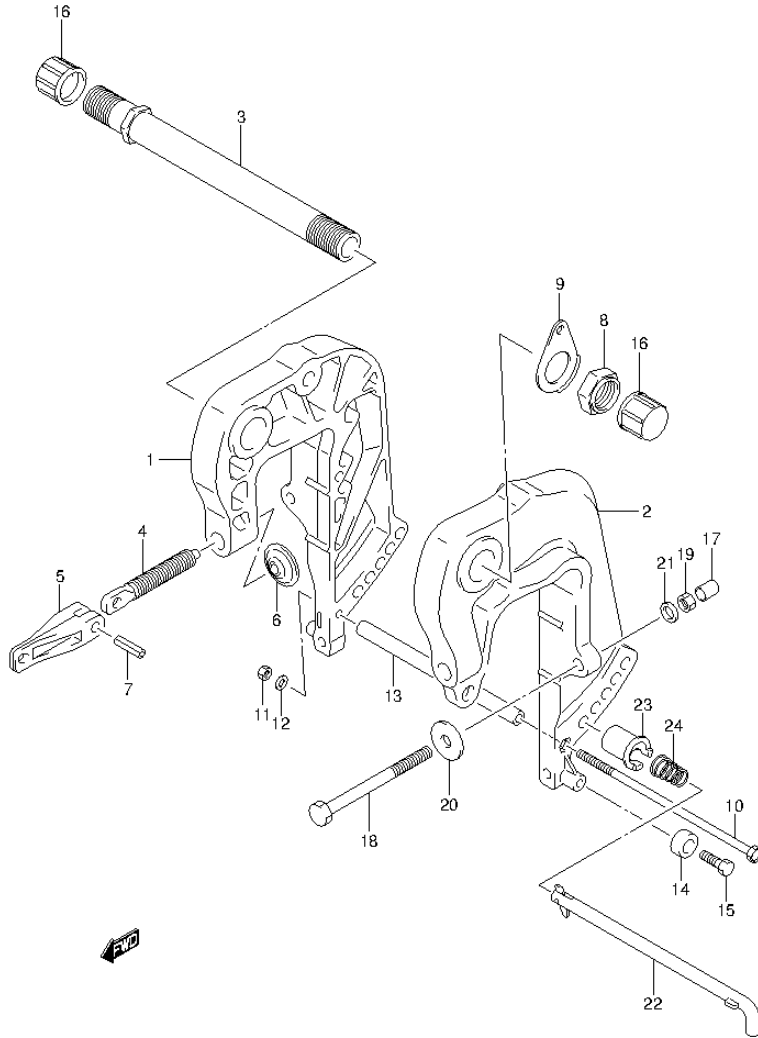
**FIG.44**



**FIG.44 (1-E-10) CLAMP BRACKET (DF25 E01)**

REF NO.	PART NO.	DESCRIPTION	Q'TY	REMARKS
1	41111-95J01-0EP	BRACKET, CLAMP STBD (BLACK)	1	
2	41121-95J00-0EP	BRACKET, CLAMP PORT (BLACK)	1	
3	41130-95J02	SHAFT, CLAMP BRACKET	1	
4	41211-95J00	SCREW, CLAMP	2	
5	41212-91J00	HANDLE, CLAMP	2	
6	41213-98100	PLATE, CLAMP	2	
7	09205-06007	SPRING PIN (6X25)	2	
8	09159-22006	NUT	1	
9	41135-93J00	WASHER, CLAMP BRACKET SHAFT	1	
10	09100-06165	BOLT (6X180)	1	
11	29141-93J00	NUT, CLAMP BRACKET LOWER	1	
12	09160-06082	WASHER (6.5X13X1.0)	1	
13	09180-06342	SPACER (6.1X9X138)	1	
14	55321-87J00	ANODE, PROTECTION	2	
15	09103-06281	BOLT (6X14)	2	
16	41151-94500	CAP, CLAMP BRACKET SHAFT	2	
17	41153-95J00	CAP, TRANSOM BOLT	2	
18	09100-10309	BOLT (10X110)	2	
19	09159-10050	NUT	2	
20	09160-10139	WASHER (10.5X35X3)	2	
21	09160-10140	WASHER (10.5X18X3)	2	
22	45420-95J01	PIN, TILT LOCK	1	
23	45425-95J00	STOPPER, TILT LOCK PIN	1	
24	09441-17004	SPRING	1	

**FIG.45**



**FIG.45 (1-E-11) CLAMP BRACKET (DF25R E01)**

REF NO.	PART NO.	DESCRIPTION	Q'TY	REMARKS
1	41111-95J01-0EP	BRACKET, CLAMP STBD (BLACK)	1	
2	41121-95J00-0EP	BRACKET, CLAMP PORT (BLACK)	1	
3	41130-95J02	SHAFT, CLAMP BRACKET	1	
4	41211-95J00	SCREW, CLAMP	2	
5	41212-91J00	HANDLE, CLAMP	2	
6	41213-98100	PLATE, CLAMP	2	
7	09205-06007	SPRING PIN (6X25)	2	
8	09159-22006	NUT	1	
9	41135-93J00	WASHER, CLAMP BRACKET SHAFT	1	
10	09100-06165	BOLT (6X180)	1	
11	29141-93J00	NUT, CLAMP BRACKET LOWER	1	
12	09160-06082	WASHER (6.5X13X1.0)	1	
13	09180-06342	SPACER (6.1X9X138)	1	
14	55321-87J00	ANODE, PROTECTION	2	
15	09103-06281	BOLT (6X14)	2	
16	41151-94500	CAP, CLAMP BRACKET SHAFT	2	
17	41153-95J00	CAP, TRANSOM BOLT	2	
18	09100-10309	BOLT (10X110)	2	
19	09159-10050	NUT	2	
20	09160-10139	WASHER (10.5X35X3)	2	
21	09160-10140	WASHER (10.5X18X3)	2	
22	45420-95J01	PIN, TILT LOCK	1	
23	45425-95J00	STOPPER, TILT LOCK PIN	1	
24	09441-17004	SPRING	1	

FIG.46

FIG.46 (1-E-12) CLAMP BRACKET (DF25Q E01)

REF NO.	PART NO.	DESCRIPTION	Q'TY	REMARKS
1	41111-89J21-0EP	BRACKET, CLAMP STBD (BLACK)	1	
2	41121-95J10-0EP	BRACKET, CLAMP PORT (BLACK)	1	
3	41130-87J11	SHAFT, CLAMP BRACKET	1	
4	45421-89J00	PIN, TILT LOCK	2	
5	09160-12066	WASHER (12.5X22X2.5)	2	
6	41153-94500	CAP, TRANSOM BOLT	4	
7	55321-87J00	ANODE, PROTECTION	2	
8	09103-06281	BOLT (6X14)	2	
9	09100-12093	BOLT (12X100)	4	
10	09159-12014	NUT	4	
11	09159-22006	NUT	1	
12	09160-12044	WASHER (12.5X35X3.2)	4	
13	09160-12110	WASHER (12.5X22X3)	4	
14	09159-10050	NUT	2	
15	09160-10082	WASHER (10.5X19X2)	2	
16	41135-93J00	WASHER, CLAMP BRACKET SHAFT	1	
17	43241-87J00	MARK, RELEASE LEVER	1	

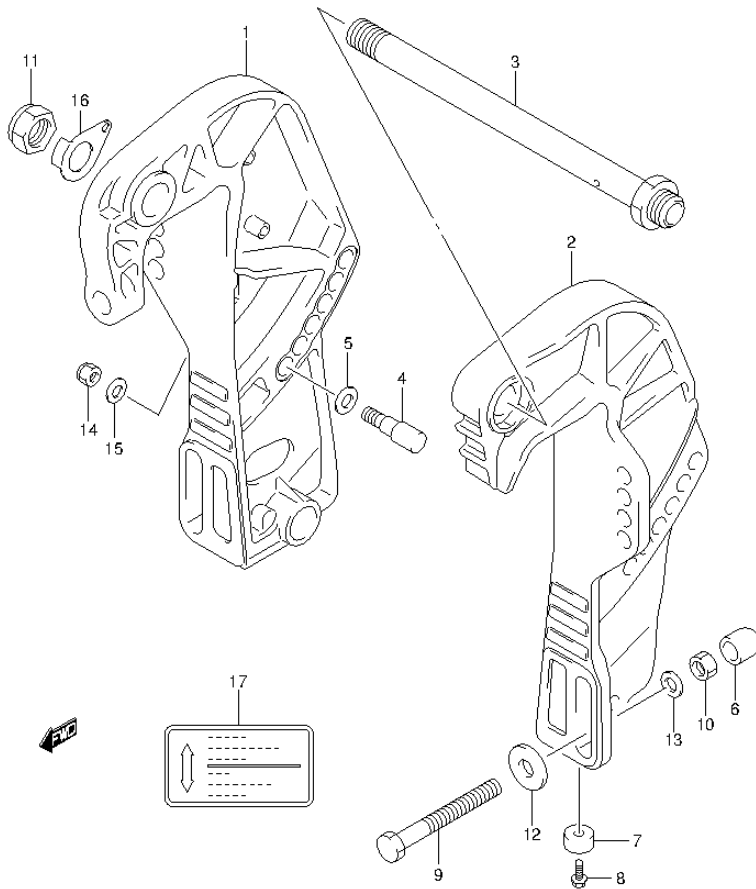


FIG.47

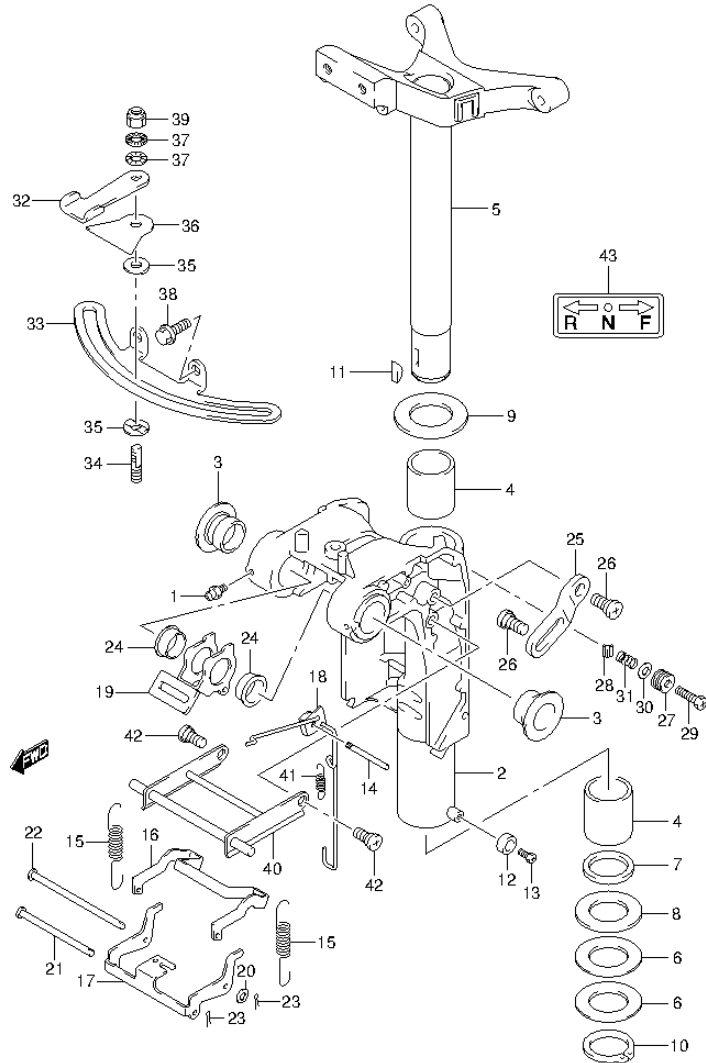


FIG.47 (1-E-13) SWIVEL BRACKET (DF25 E01)

REF NO.	PART NO.	DESCRIPTION	Q'TY	REMARKS
1	22511-99011	NIPPLE, GREASE SWIVEL BRACKET	4	
2-1	43111-95J00-0EP	BRACKET, SWIVEL (S) (BLACK)	1	W/TRANSOM(S)
2-2	43111-95J10-0EP	BRACKET, SWIVEL (L) (BLACK)	1	W/TRANSOM(L)
3	43211-87J00	BUSH, SWIVEL BRACKET	2	
4	43711-89J10	BUSH, STEERING	2	
5-1	43750-95J21-0EP	BRACKET, STEERING (S) (BLACK)	1	W/TRANSOM(S)
5-2	43750-95J31-0EP	BRACKET, STEERING (L) (BLACK)	1	W/TRANSOM(L)
6	09181-39001	SHIM (39.5X64X0.3)	AR	
7	09282-39001	OIL SEAL (39X51X5)	1	
8	09160-39001	WASHER (39.5X64X1)	1	
9	43721-95J00	PLATE, STEERING UPPER (39.5X71X1)	1	
10	09380-38003	CIRCLIP	1	
11	09420-05003	KEY	1	
12	55321-87J00	ANODE, PROTECTION	1	
13	09103-06281	BOLT (6X14)	1	
14	41225-94502	PIN, RELEASE ARM	1	
15	45211-95J00	SPRING, REVERSE LOCK	2	
16	45231-95J00	ARM, REVERSE LOCK	1	
17	45241-95J00	LINK, REVERSE LOCK ARM	1	
18	45250-95J00	LINK, RELEASE	1	
19	45261-95J00	LEVER, RELEASE	1	
20	09160-06082	WASHER (6.5X13X1.0)	1	
21	09200-06069	PIN	1	
22	09200-06070	PIN	1	
23	09204-01002	PIN	2	
24	09306-22006	BUSH (22.6X27X8)	2	
25	41223-95J01	ARM, TILT STOP	2	
26	09106-10078	BOLT (10X28.5)	4	
27	43412-93900	COVER, STEERING ADJUSTER	1	
28	43417-95J00	ADJUSTER, STEERING	1	
29	09100-08227	BOLT (8X27)	1	
30	09160-08091	WASHER (8.5X14X1.0)	1	
31	29440-93J00	SPRING, STEERING ADJUSTER	1	

FIG.47

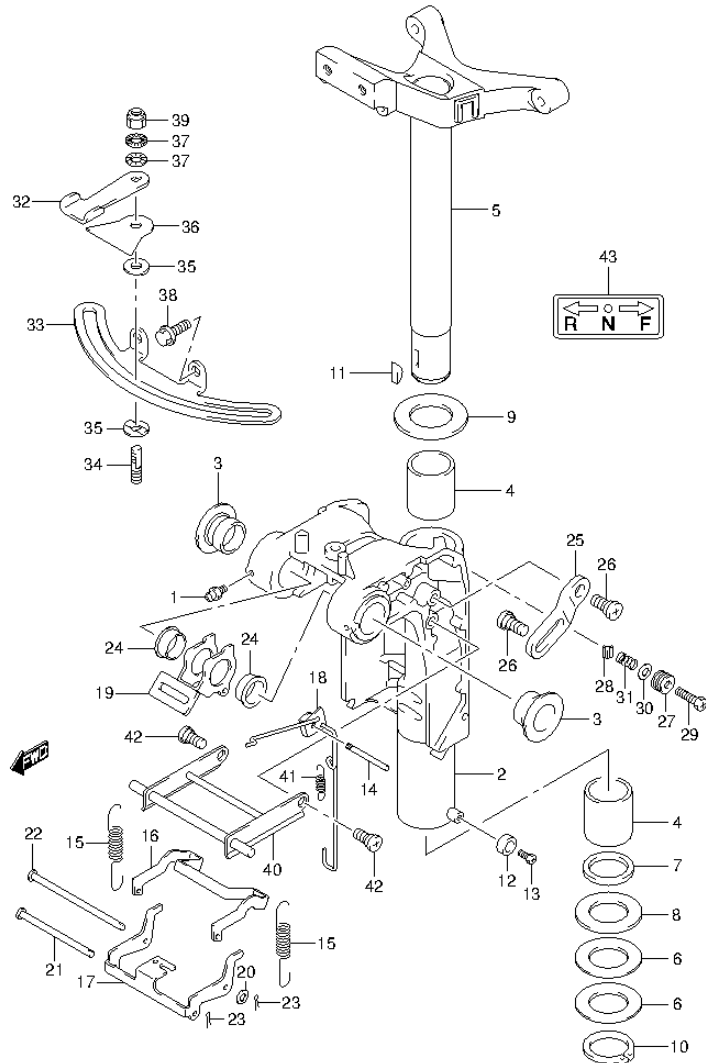


FIG.47 (1-E-14) SWIVEL BRACKET (DF25 E01)

REF NO.	PART NO.	DESCRIPTION	Q'TY	REMARKS
32	43411-95J00	LEVER, STEERING ADJUSTER	1	
33	43415-95J00	PLATE, STEERING ADJUSTER	1	
34	43512-95J00	SHAFT, STEERING ADJUSTER	1	
35	43514-95J00	WASHER, FRICTION PLATE	2	
36	43514-95J10	PLATE, STEERING ADJ FRICTION	1	
37	43516-89J00	WASHER, STEERING ADJUSTER	2	
38	09116-08137	BOLT (8X22)	2	
39	09159-08131	NUT	1	
40	45710-95J01	ARM, SHALLOW WATER DRIVE	1	
41	45722-95J00	SPRING, SHALLOW WATER DRIVE	1	
		ARM		
42	09106-10078	BOLT (10X28.5)	2	
43	21131-96010	MARK, CLUTCH SHIFT	1	

FIG.48

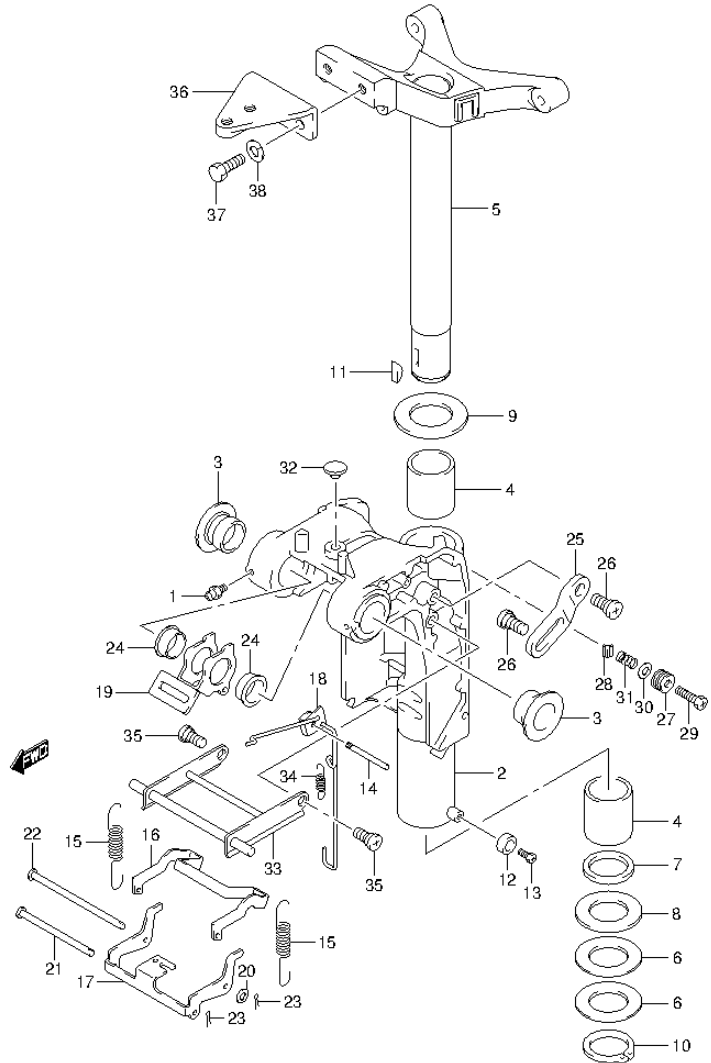
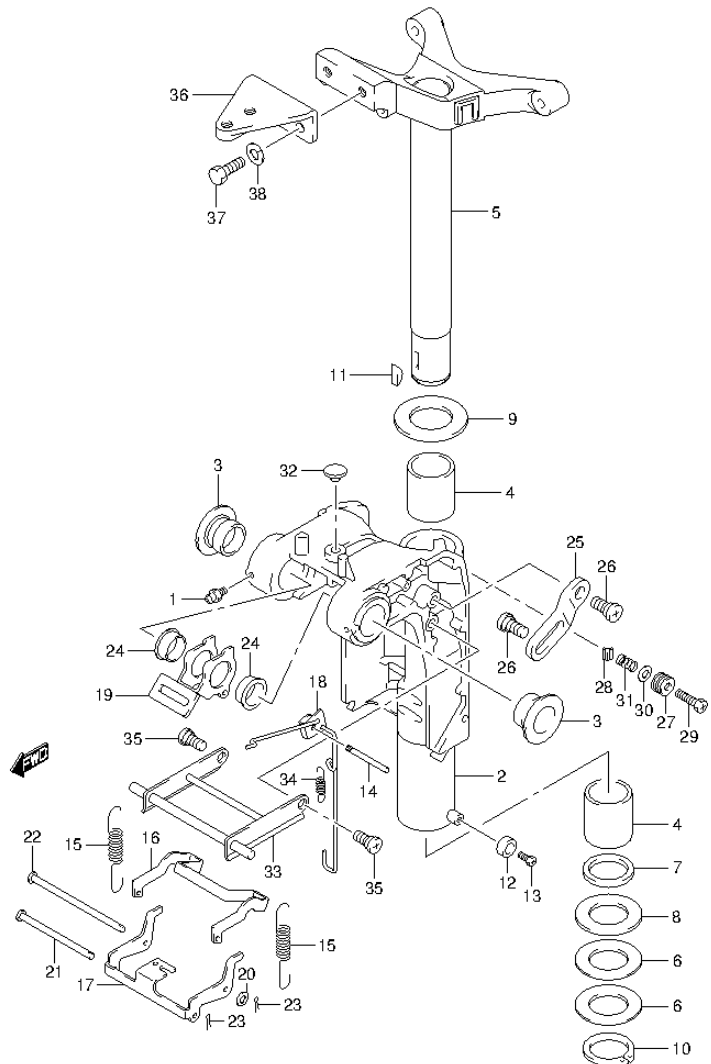


FIG.48 (1-E-15) SWIVEL BRACKET (DF25R E01)

REF NO.	PART NO.	DESCRIPTION	Q'TY	REMARKS
1	22511-99011	NIPPLE, GREASE SWIVEL BRACKET	4	
2-1	43111-95J00-0EP	BRACKET, SWIVEL (S) (BLACK)	1	W/TRANSOM(S)
2-2	43111-95J10-0EP	BRACKET, SWIVEL (L) (BLACK)	1	W/TRANSOM(L)
3	43211-87J00	BUSH, SWIVEL BRACKET	2	
4	43711-89J10	BUSH, STEERING	2	
5-1	43750-95J21-0EP	BRACKET, STEERING (S) (BLACK)	1	W/TRANSOM(S)
5-2	43750-95J31-0EP	BRACKET, STEERING (L) (BLACK)	1	W/TRANSOM(L)
6	09181-39001	SHIM (39.5X64X0.3)	AR	
7	09282-39001	OIL SEAL (39X51X5)	1	
8	09160-39001	WASHER (39.5X64X1)	1	
9	43721-95J00	PLATE, STEERING UPPER (39.5X71X1)	1	
10	09380-38003	CIRCLIP	1	
11	09420-05003	KEY	1	
12	55321-87J00	ANODE, PROTECTION	1	
13	09103-06281	BOLT (6X14)	1	
14	41225-94502	PIN, RELEASE ARM	1	
15	45211-95J00	SPRING, REVERSE LOCK	2	
16	45231-95J00	ARM, REVERSE LOCK	1	
17	45241-95J00	LINK, REVERSE LOCK ARM	1	
18	45250-95J00	LINK, RELEASE	1	
19	45261-95J00	LEVER, RELEASE	1	
20	09160-06082	WASHER (6.5X13X1.0)	1	
21	09200-06069	PIN	1	
22	09200-06070	PIN	1	
23	09204-01002	PIN	2	
24	09306-22006	BUSH (22.6X27X8)	2	
25	41223-95J01	ARM, TILT STOP	2	
26	09106-10078	BOLT (10X28.5)	4	
27	43412-93900	COVER, STEERING ADJUSTER	1	
28	43417-95J00	ADJUSTER, STEERING	1	
29	09100-08227	BOLT (8X27)	1	
30	09160-08091	WASHER (8.5X14X1.0)	1	
31	29440-93J00	SPRING, STEERING ADJUSTER	1	

**FIG.48**



**FIG.48 (1-F-2) SWIVEL BRACKET (DF25R E01)**

REF NO.	PART NO.	DESCRIPTION	Q'TY	REMARKS
32	09250-08010	CAP (OD:20)	1	
33	45710-95J01	ARM, SHALLOW WATER DRIVE	1	
34	45722-95J00	SPRING, SHALLOW WATER DRIVE ARM	1	
35	09106-10078	BOLT (10X28.5)	2	
36	43755-95J01	ATTACHMENT, STEERING BRACKET	1	
37	09100-10270	BOLT (10X25)	2	
38	09162-10005	LOCK WASHER	2	

FIG.49

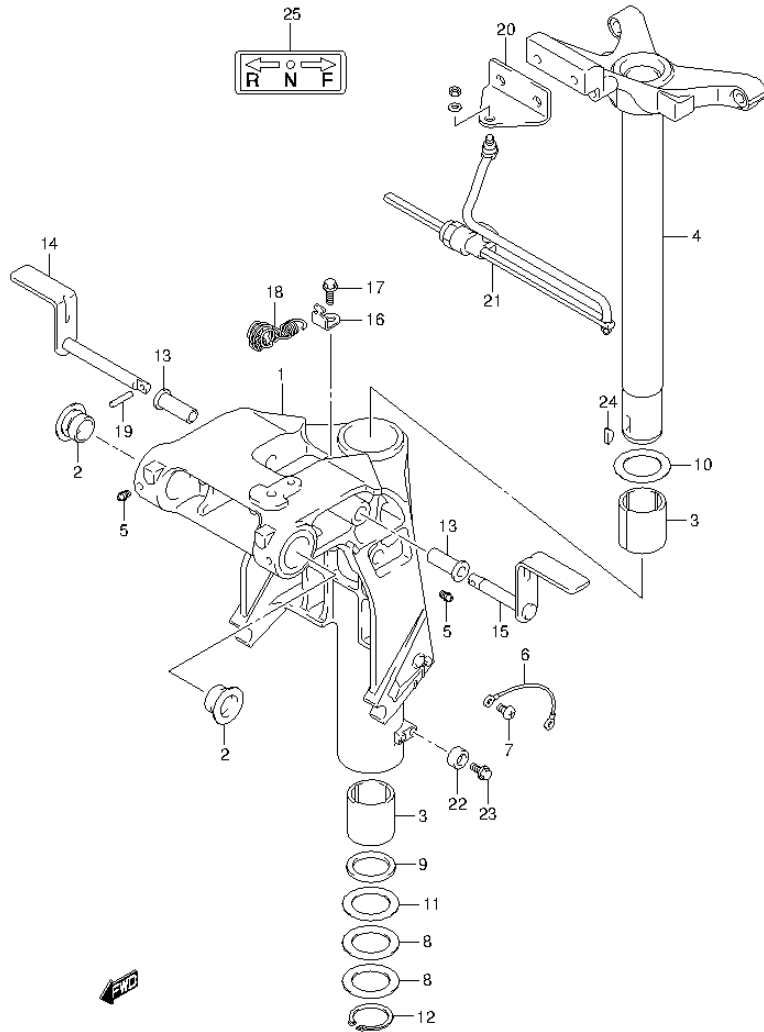
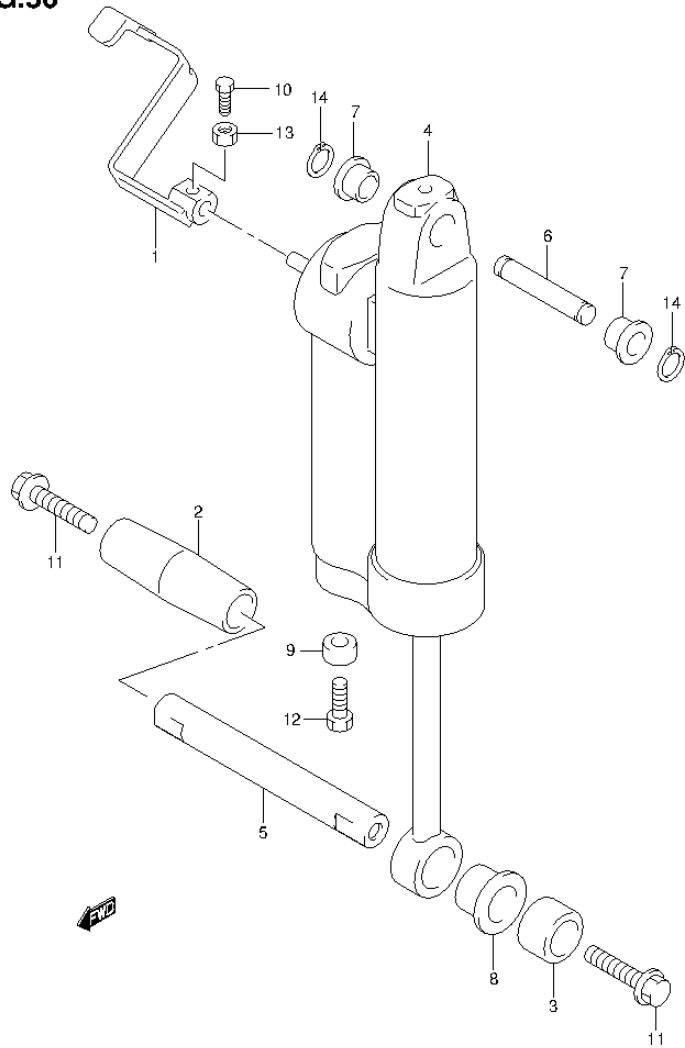


FIG.49 (1-F-3) SWIVEL BRACKET (DF25Q E01)

REF NO.	PART NO.	DESCRIPTION	Q'TY	REMARKS
1	43111-88L61-0EP	BRACKET, SWIVEL (L) (BLACK)	1	
2	43211-87J00	BUSH, SWIVEL BRACKET	2	
3	43711-89J10	BUSH, STEERING	2	
4	43750-95J50-0EP	BRACKET, STEERING (L) (BLACK)	1	
5	22511-99011	NIPPLE, GREASE	3	
6	36894-95201	LEAD(L:165)	1	
7	09125-05050	SCREW (5X8)	2	
8	09160-39003	WASHER (39.5X58X0.3)	2	
9	09282-39001	OIL SEAL (39X51X5)	1	
10	43721-95J00	PLATE, STEERING UPPER	1	
11	09160-39002	WASHER (39.5X58X1)	1	
12	09380-38003	CIRCLIP	1	
13	41226-97E00	BUSH, TILT LOCK LEVER	2	
14	41270-89J10	LEVER, TILT LOCK STBD	1	
15	41280-89J04	LEVER, TILT LOCK PORT	1	
16	45731-96312	BRACKET, SPRING	1	
17	09116-06236	BOLT (6X16)	1	
18	41230-97E10	SPRING, TILT LOCK	1	
19	09205-03012	SPRING PIN (3X16)	1	
20	43755-95J10	ATTACHMENT, STEERING ADJUSTER	1	
21	43770-95J00	ADJUSTER ASSY, STEERING	1	
22	55321-87J00	ANODE, PROTECTION	1	
23	09103-06281	BOLT (6X14)	1	
24	09420-05003	KEY	1	
25	21131-96010	MARK, CLUTCH SHIFT	1	



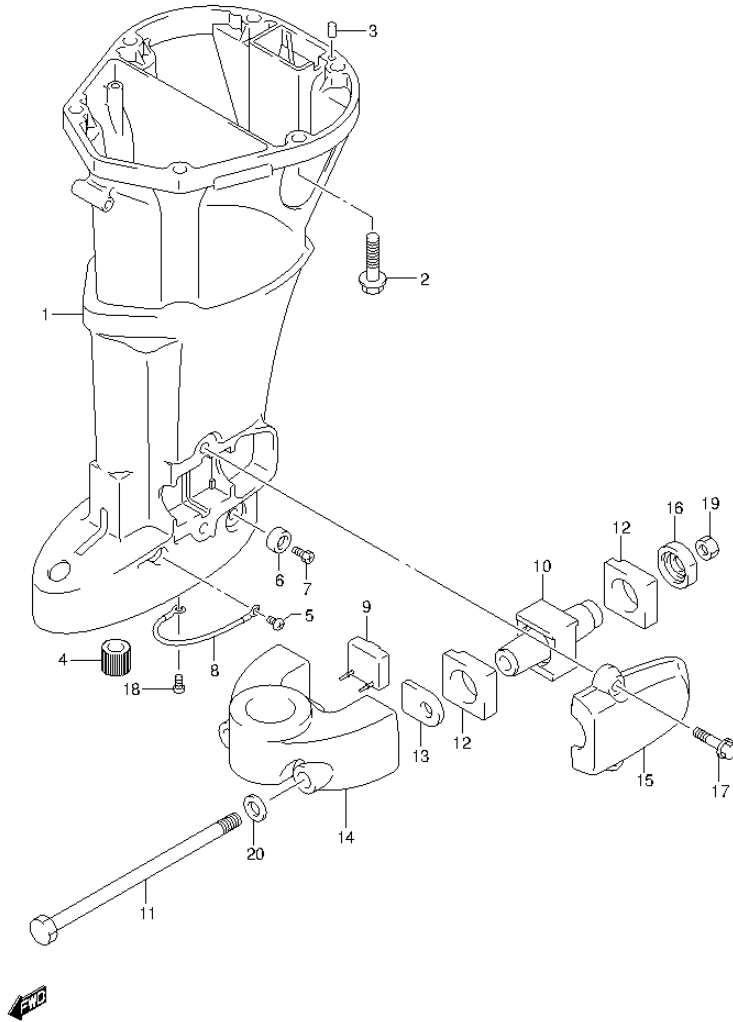
**FIG.50**



**FIG.50 (1-F-4) GAS CYLINDER (DF25Q E01)**

REF NO.	PART NO.	DESCRIPTION	Q'TY	REMARKS
1	45260-89J00	LEVER, RELEASE	1	
2	47225-89J00	COLLAR, TILT CYL LOWER STBD	1	
3	47226-89J00	COLLAR, TILT CYLINDER LOWER	1	
4	47400-95J00	CYLINDER ASSY, GAS	1	
5	48121-89J10	SHAFT, TILT CYLINDER LOWER	1	
6	48321-89J11	SHAFT, TILT CYLINDER UPPER	1	
7	48325-89J00	BUSH, TILT CYLINDER UPPER	2	
8	48326-89J00	BUSH, TILT CYLINDER LOWER	1	
9	55321-87J00	ANODE, PROTECTION	1	
10	09100-06113	BOLT (6X16)	1	
11	09116-10174	BOLT (10X35)	2	
12	09103-06281	BOLT (6X14)	1	
13	09140-06020	NUT	1	
14	09380-12002	SNAP RING	2	

**FIG.51**



**FIG.51 (1-F-5) DRIVE SHAFT HOUSING (DF25 E01)**

REF NO.	PART NO.	DESCRIPTION	Q'TY	REMARKS
1-1	52111-95J00-0EP	HOUSING, DRIVE SHAFT (S) (BLACK)	1	W/TRANSOM(S)
1-2	52111-95J10-0EP	HOUSING, DRIVE SHAFT (L) (BLACK)	1	W/TRANSOM(L)
2	09116-10143	BOLT (10X40)	6	
3	09202-06023	PIN (6X10)	2	
4	57130-96300	BUSH, DRIVE SHAFT	1	W/TRANSOM(L)
5	09125-06063	SCREW (6X10)	1	
6	55321-87J00	ANODE, PROTECTION	1	
7	09103-06281	BOLT (6X14)	1	
8	36894-87D00	LEAD, MOUNT BRACKET TO HSG	1	
9	54151-95J00	MOUNT, LOWER THRUST	1	
10	54160-95J00	MOUNT, LOWER	2	
11	54166-95J02	BOLT, LOWER MOUNT	2	
12	54167-95J00	MOUNT, LOWER SIDE	4	
13	54170-95J00	CUSHION, LOWER SIDE	2	
14	54211-95J00-0EP	BRACKET, LOWER MOUNT (BLACK)	1	
15	54221-95J00-0EP	COVER, LOWER MOUNT (BLACK)	2	
16	54240-95J00	MOUNT, LOWER THRUST REV	2	
17	29116-93J10	BOLT, LOWER MOUNT COVER (8X35)	4	
18	09125-06063	SCREW (6X10)	1	
19	09159-12014	NUT	2	
20	09160-12110	WASHER (12.5X22X3)	2	

FIG.52

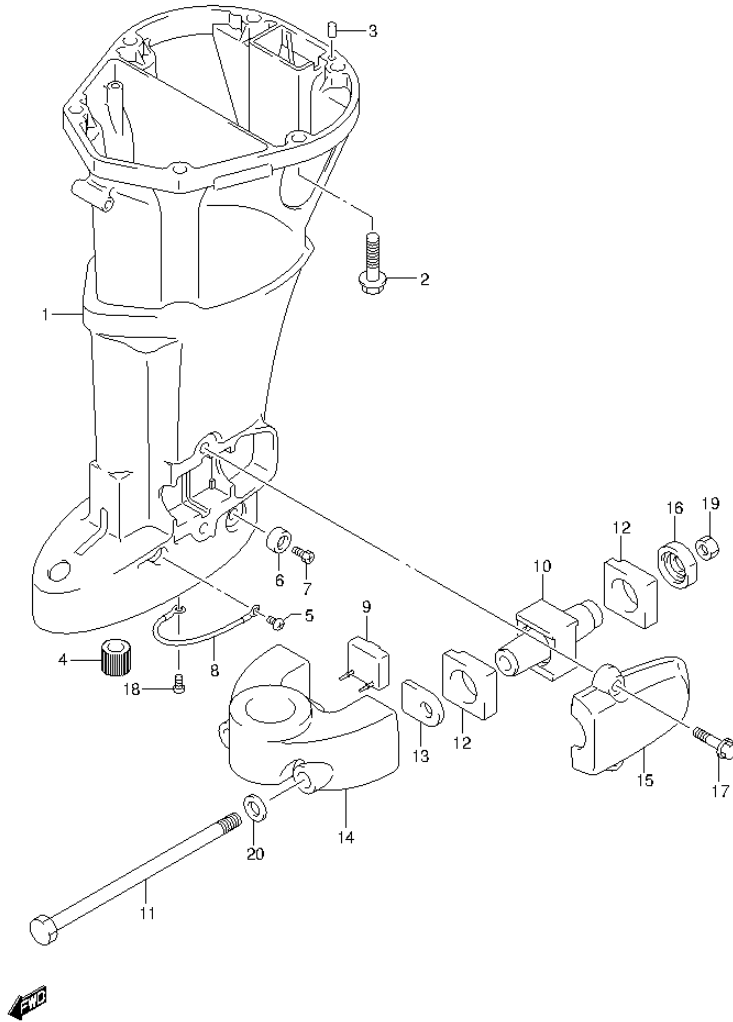


FIG.52 (1-F-6) DRIVE SHAFT HOUSING (DF25R E01)

REF NO.	PART NO.	DESCRIPTION	Q'TY	REMARKS
1-1	52111-95J00-0EP	HOUSING, DRIVE SHAFT (S) (BLACK)	1	W/TRANSOM(S)
1-2	52111-95J10-0EP	HOUSING, DRIVE SHAFT (L) (BLACK)	1	W/TRANSOM(L)
2	09116-10143	BOLT (10X40)	6	
3	09202-06023	PIN (6X10)	2	
4	57130-96300	BUSH, DRIVE SHAFT	1	W/TRANSOM(L)
5	09125-06063	SCREW (6X10)	1	
6	55321-87J00	ANODE, PROTECTION	1	
7	09103-06281	BOLT (6X14)	1	
8	36894-87D00	LEAD, MOUNT BRACKET TO HSG	1	
9	54151-95J00	MOUNT, LOWER THRUST	1	
10	54160-95J00	MOUNT, LOWER	2	
11	54166-95J02	BOLT, LOWER MOUNT	2	
12	54167-95J00	MOUNT, LOWER SIDE	4	
13	54170-95J00	CUSHION, LOWER SIDE	2	
14	54211-95J00-0EP	BRACKET, LOWER MOUNT (BLACK)	1	
15	54221-95J00-0EP	COVER, LOWER MOUNT (BLACK)	2	
16	54240-95J00	MOUNT, LOWER THRUST REV	2	
17	29116-93J10	BOLT, LOWER MOUNT COVER (8X35)	4	
18	09125-06063	SCREW (6X10)	1	
19	09159-12014	NUT	2	
20	09160-12110	WASHER (12.5X22X3)	2	

FIG.53

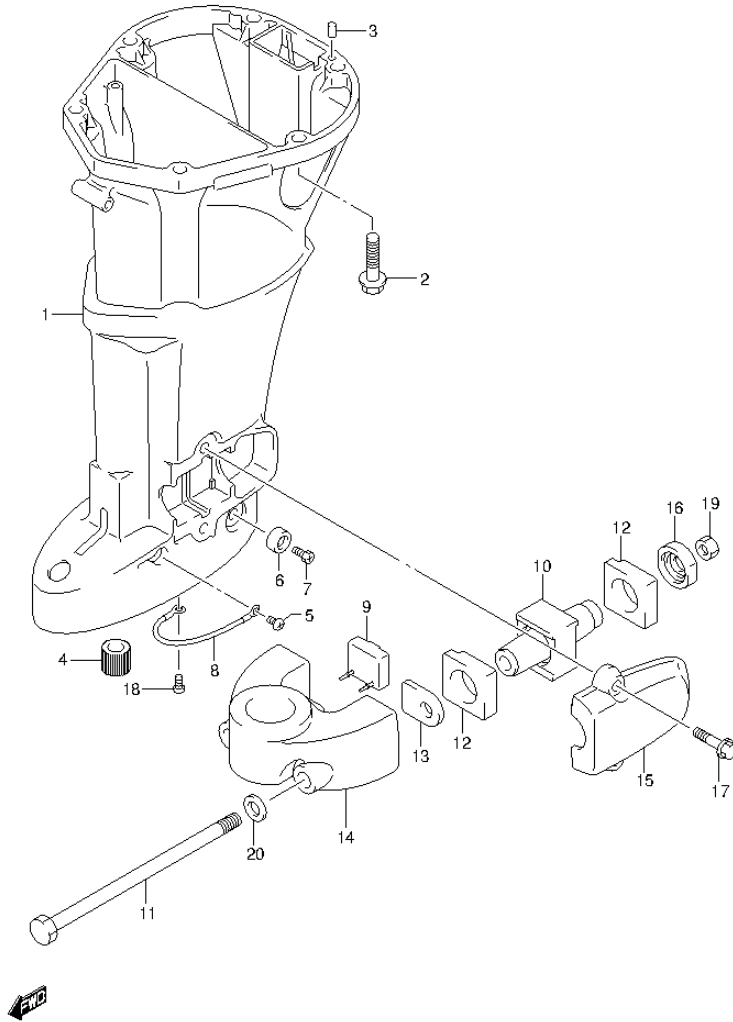


FIG.53 (1-F-7) DRIVE SHAFT HOUSING (DF25Q E01)

REF NO.	PART NO.	DESCRIPTION	Q'TY	REMARKS
1	52111-95J10-0EP	HOUSING, DRIVE SHAFT (L) (BLACK)	1	
2	09116-10143	BOLT (10X40)	6	
3	09202-06023	PIN (6X10)	2	
4	57130-96300	BUSH, DRIVE SHAFT	1	
5	09125-06063	SCREW (6X10)	1	
6	55321-87J00	ANODE, PROTECTION	1	
7	09103-06281	BOLT (6X14)	1	
8	36894-87D00	LEAD, MOUNT BRACKET TO HSG	1	
9	54151-95J00	MOUNT, LOWER THRUST	1	
10	54160-95J00	MOUNT, LOWER	2	
11	54166-95J02	BOLT, LOWER MOUNT	2	
12	54167-95J00	MOUNT, LOWER SIDE	4	
13	54170-95J00	CUSHION, LOWER SIDE	2	
14	54211-95J00-0EP	BRACKET, LOWER MOUNT (BLACK)	1	
15	54221-95J00-0EP	COVER, LOWER MOUNT (BLACK)	2	
16	54240-95J00	MOUNT, LOWER THRUST REV	2	
17	29116-93J10	BOLT, LOWER MOUNT COVER (8X35)	4	
18	09125-06063	SCREW (6X10)	1	
19	09159-12014	NUT	2	
20	09160-12110	WASHER (12.5X22X3)	2	

FIG.54

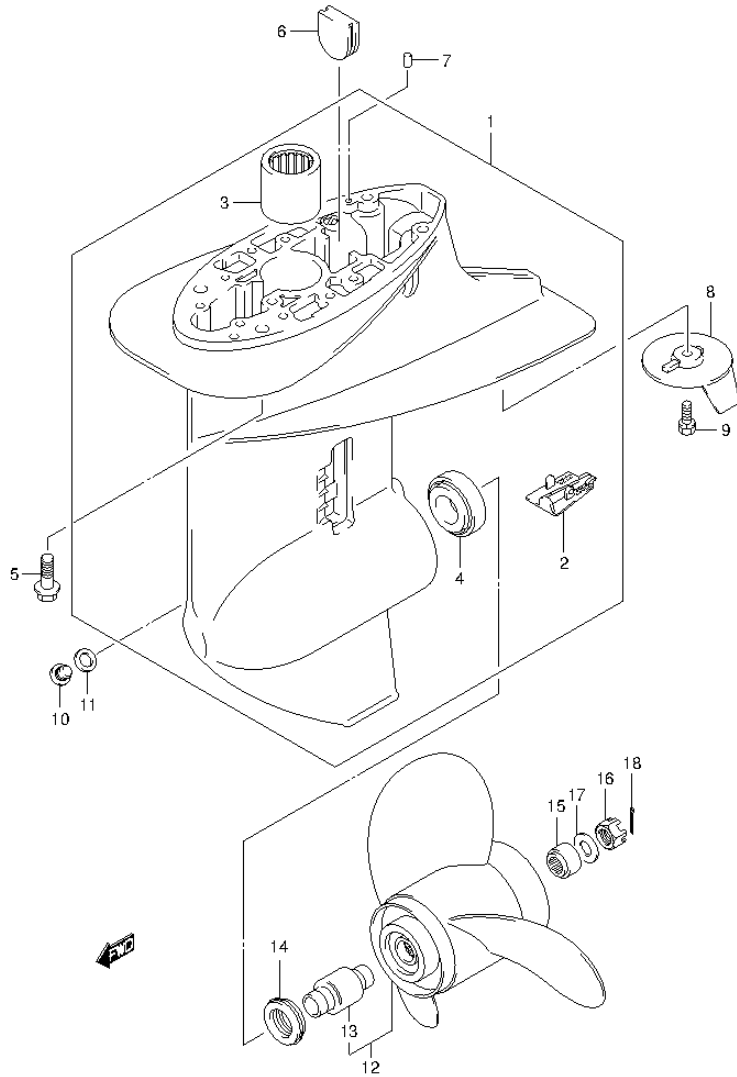


FIG.54 (1-F-8) GEAR CASE

REF NO.	PART NO.	DESCRIPTION	Q'TY	REMARKS
1	55100-95J00-0EP	CASE ASSY, GEAR (BLACK)	1	
2	55114-96310	.COVER, GEAR CASE UNDER	1	
3	09263-20046	.BEARING (20.6X27X25.4)	1	
4	09265-25015	.BEARING (25X52X19.25)	1	
5	09116-08122	BOLT (8X30)	4	
6	17566-87D11	GROMMET, GEAR CASE	1	
7	09202-06023	PIN (6X10)	2	
8	55125-96310	TAB, TRIM	1	
9	09116-08137	BOLT (8X22)	1	
10	09248-10008	PLUG (10X7.5)	2	
11	09168-10022	GASKET (10X17X1.5)	2	
12-1	58100-96411-019	PROPELLER (3X10-1/4X10)	1	
12-2	58100-96421-019	PROPELLER (3X10-1/4X11)	1	
12-3	58100-91L00-019	PROPELLER (3X10-1/4X12)	1	
12-4	58100-91L10-019	PROPELLER (3X10-1/4X13)	1	
12-5	58100-95D01-019	PROPELLER (3X10-1/4X14)	1	
12-6	58100-96371-019	PROPELLER (3X10-1/4X9)	1	OPT
12-7	58100-96471-019	PROPELLER (3X10-1/4X10)	1	OPT
12-8	58100-96481-019	PROPELLER (3X10-1/4X12)	1	OPT
12-9	58100-96491-019	PROPELLER (3X10-1/4X13)	1	OPT
12-10	58100-96461-019	PROPELLER (3X10-1/4X15)	1	OPT
13	58120-96401	.BUSH, PROPELLER	1	
14	57632-95J00	STOPPER, PROPELLER BUSH	1	
15	57633-96300	SPACER, PROPELLER NUT	1	
16	09141-14008	NUT	1	
17	09160-14028	WASHER (14.5X30X2.5)	1	
18	09204-03003	COTTER PIN	1	
19	57630-96300	PROPELLER NUT KIT	1	OPT
20	25700-95J00	SEALING KIT, GEAR CASE	1	OPT
				NOT ILLUSTRATED

FIG.55

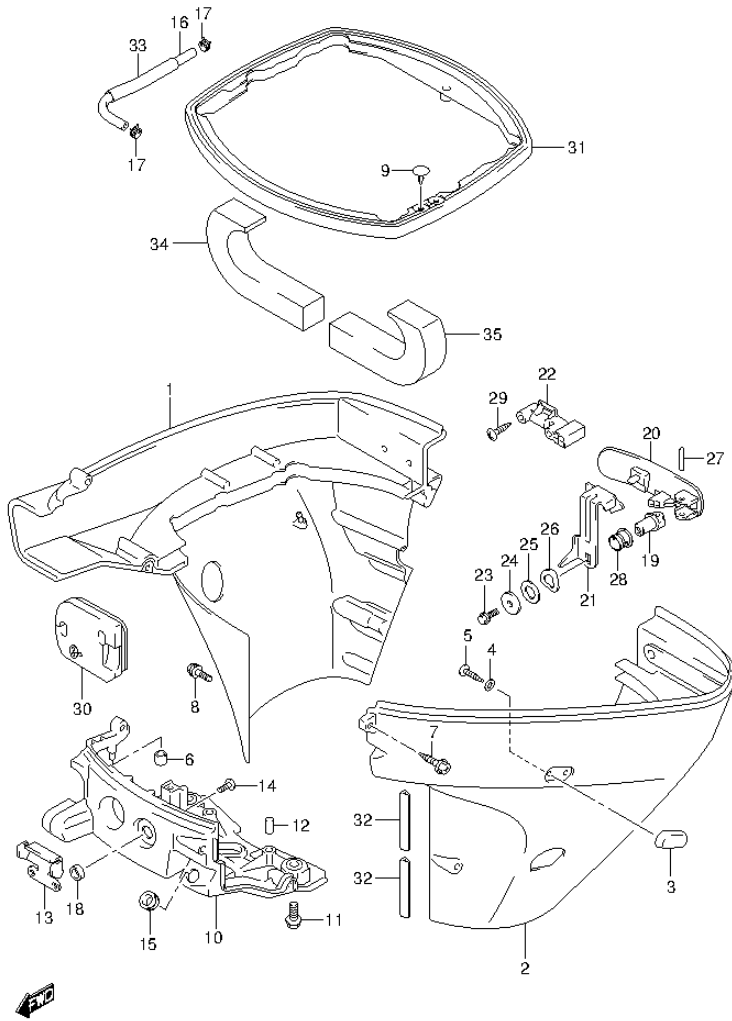


FIG.55 (1-F-9) SIDE COVER (DF25 E01)

REF NO.	PART NO.	DESCRIPTION	Q'TY	REMARKS
1	61810-95J10-0EP	COVER, SIDE STBD (BLACK)	1	
2	61821-95J20-0EP	COVER, SIDE PORT (BLACK)	1	
3	61851-95J01	PROTECTOR, SIDE COVER	1	
4	09160-05024	WASHER (5.5X16X1.5)	2	
5	03542-05129	SCREW	2	
6	09320-05016	CUSHION	1	
7	09136-06148	SCREW (6X35)	6	
8	09136-06149	SCREW (6X55)	1	
9	09409-05302-5PK	CLIP (BLACK)	3	
10	61831-95J01-0EP	PANEL, FRONT (BLACK)	1	
11	09116-08137	BOLT (8X22)	2	
12	09202-08006	PIN (8X12)	2	
13	61412-95J00	HOOK, INSTRUMENT PANEL	1	
14	02142-05127	SCREW	2	
15	09308-12012	GROMMET	1	
16	61157-89J00	HOSE, WATER INDICATOR	1	
17	09401-08413	CLIP	2	
18	09320-13024	CUSHION	1	
19	61632-93J00	SHAFT, ENGINE COVER HOOK	1	
20	61633-95J01	LEVER, HOOK REAR	1	
21	61641-95J00	HOOK, ENGINE COVER	1	
22	61673-95J00	LATCH, HOOK LEVER	1	
23	09103-06092	BOLT (6X15)	1	
24	09160-06160	WASHER (6.5X24X4)	1	
25	09160-13008	WASHER (13.5X31.5X0.5)	1	
26	09164-14008	WASHER	1	
27	09202-04022	PIN	1	
28	09306-13007	BUSH	1	
29	03542-06209	SCREW	2	

FIG.55

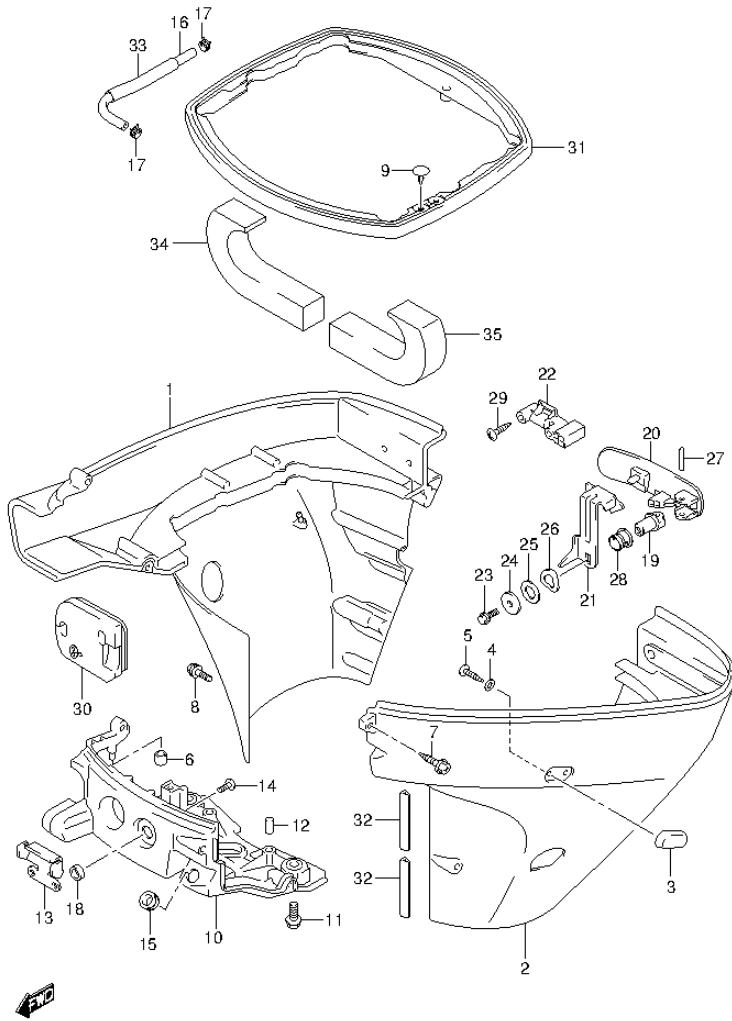


FIG.55 (1-F-10) SIDE COVER (DF25 E01)

REF NO.	PART NO.	DESCRIPTION	Q'TY	REMARKS
30-1	61124-95J00	GROMMET, CABLE	1	W/MANUAL STARTER
30-2	61124-95J10	GROMMET, CABLE	1	W/ELECTRIC STARTER
31	61134-95J01	SEAL, SIDE COVER	1	
32	61135-95J00	CUSHION, SIDE COVER	2	
33	18498-90J00	PROTECTOR, WTR INDICATOR HOSE	1	L:290->140
34	54144-95J00	SEAL, UPPER MOUNT STBD	1	
35	54145-95J00	SEAL, UPPER MOUNT PORT	1	

FIG.56

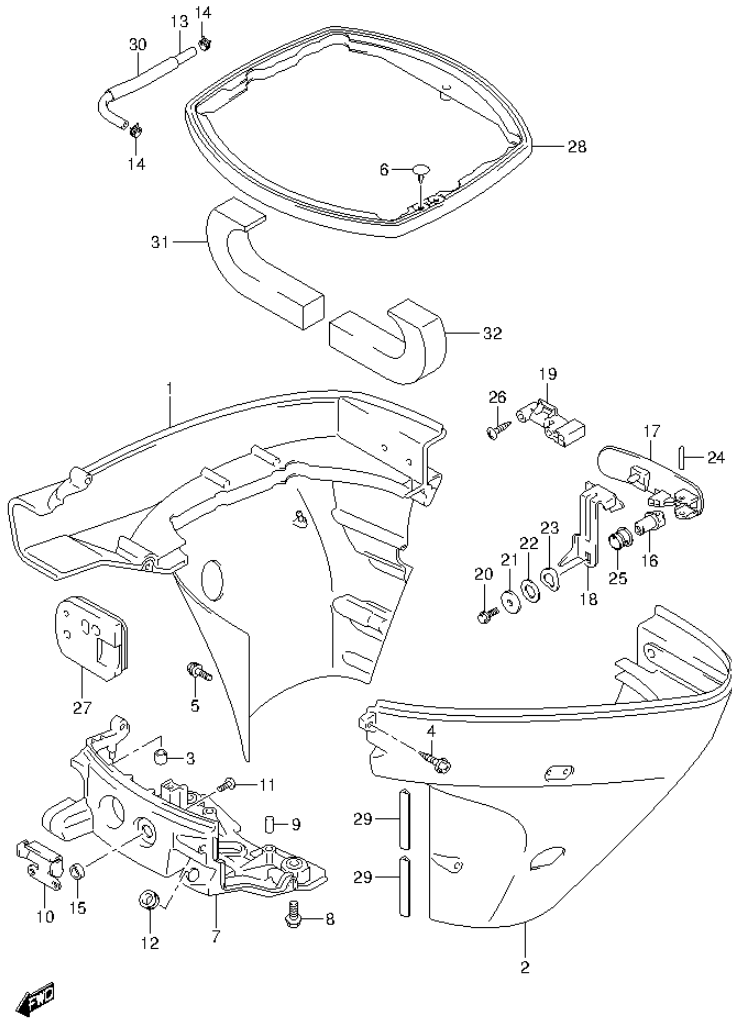


FIG.56 (1-F-11) SIDE COVER (DF25R E01)

REF NO.	PART NO.	DESCRIPTION	Q'TY	REMARKS
1	61810-95J10-0EP	COVER, SIDE STBD (BLACK)	1	
2	61821-95J30-0EP	COVER, SIDE PORT (R) (BLACK)	1	
3	09320-05016	CUSHION	1	
4	09136-06148	SCREW (6X35)	6	
5	09136-06149	SCREW (6X55)	1	
6	09409-05302-5PK	CLIP (BLACK)	3	
7	61831-95J01-0EP	PANEL, FRONT (BLACK)	1	
8	09116-08137	BOLT (8X22)	2	
9	09202-08006	PIN (8X12)	2	
10	61412-95J00	HOOK, INSTRUMENT PANEL	1	
11	02142-05127	SCREW	2	
12	09308-12012	GROMMET	1	
13	61157-89J00	HOSE, WATER INDICATOR	1	
14	09401-08413	CLIP	2	
15	09320-13024	CUSHION	1	
16	61632-93J00	SHAFT, ENGINE COVER HOOK	1	
17	61633-95J01	LEVER, HOOK REAR	1	
18	61641-95J00	HOOK, ENGINE COVER	1	
19	61673-95J00	LATCH, HOOK LEVER	1	
20	09103-06092	BOLT (6X15)	1	
21	09160-06160	WASHER (6.5X24X4)	1	
22	09160-13008	WASHER (13.5X31.5X0.5)	1	
23	09164-14008	WASHER	1	
24	09202-04022	PIN	1	
25	09306-13007	BUSH	1	
26	03542-06209	SCREW	2	
27	61124-95J20	GROMMET, CABLE	1	
28	61134-95J01	SEAL, SIDE COVER	1	
29	61135-95J00	CUSHION, SIDE COVER	2	
30	18498-90J00	PROTECTOR, WTR INDICATOR HOSE	1	L:290->140
31	54144-95J00	SEAL, UPPER MOUNT STBD	1	
32	54145-95J00	SEAL, UPPER MOUNT PORT	1	



FIG.57

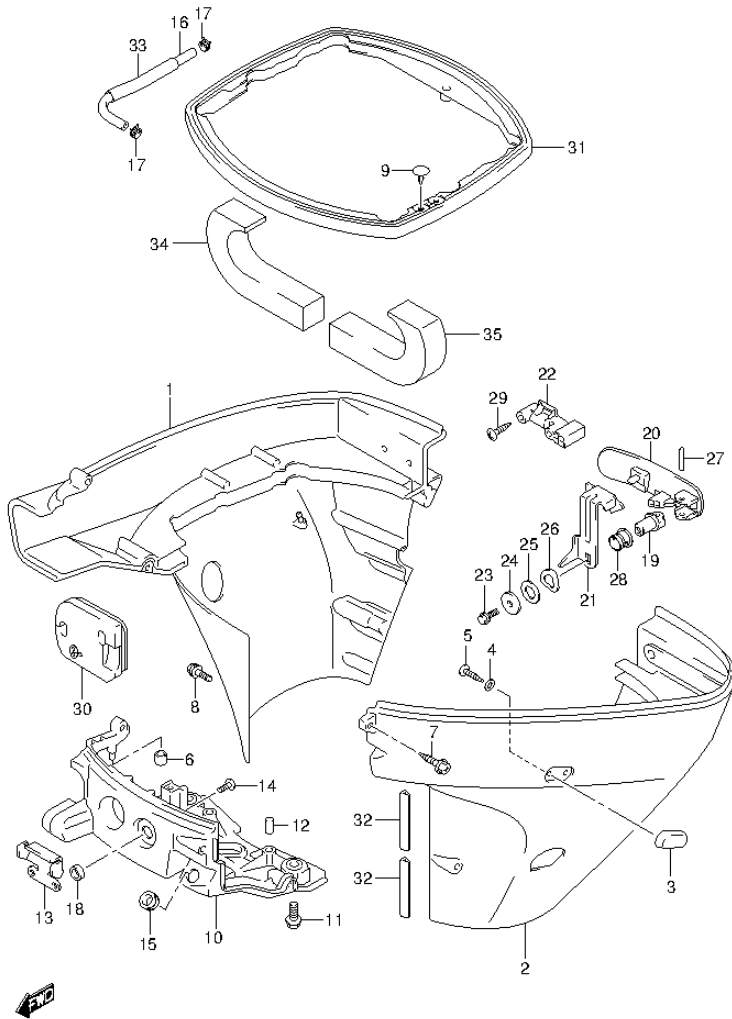


FIG.57 (1-F-12) SIDE COVER (DF25Q E01)

REF NO.	PART NO.	DESCRIPTION	Q'TY	REMARKS
1	61810-95J10-0EP	COVER, SIDE STBD (BLACK)	1	
2	61821-95J20-0EP	COVER, SIDE PORT (BLACK)	1	
3	61851-95J01	PROTECTOR, SIDE COVER	1	
4	09160-05024	WASHER (5.5X16X1.5)	2	
5	03542-05129	SCREW	2	
6	09320-05016	CUSHION	1	
7	09136-06148	SCREW (6X35)	6	
8	09136-06149	SCREW (6X55)	1	
9	09409-05302-5PK	CLIP (BLACK)	3	
10	61831-95J01-0EP	PANEL, FRONT (BLACK)	1	
11	09116-08137	BOLT (8X22)	2	
12	09202-08006	PIN (8X12)	2	
13	61412-95J00	HOOK, INSTRUMENT PANEL	1	
14	02142-05127	SCREW	2	
15	09308-12012	GROMMET	1	
16	61157-89J00	HOSE, WATER INDICATOR	1	
17	09401-08413	CLIP	2	
18	09320-13024	CUSHION	1	
19	61632-93J00	SHAFT, ENGINE COVER HOOK	1	
20	61633-95J01	LEVER, HOOK REAR	1	
21	61641-95J00	HOOK, ENGINE COVER	1	
22	61673-95J00	LATCH, HOOK LEVER	1	
23	09103-06092	BOLT (6X15)	1	
24	09160-06160	WASHER (6.5X24X4)	1	
25	09160-13008	WASHER (13.5X31.5X0.5)	1	
26	09164-14008	WASHER	1	
27	09202-04022	PIN	1	
28	09306-13007	BUSH	1	
29	03542-06209	SCREW	2	
30	61124-95J10	GROMMET, CABLE	1	

FIG.57

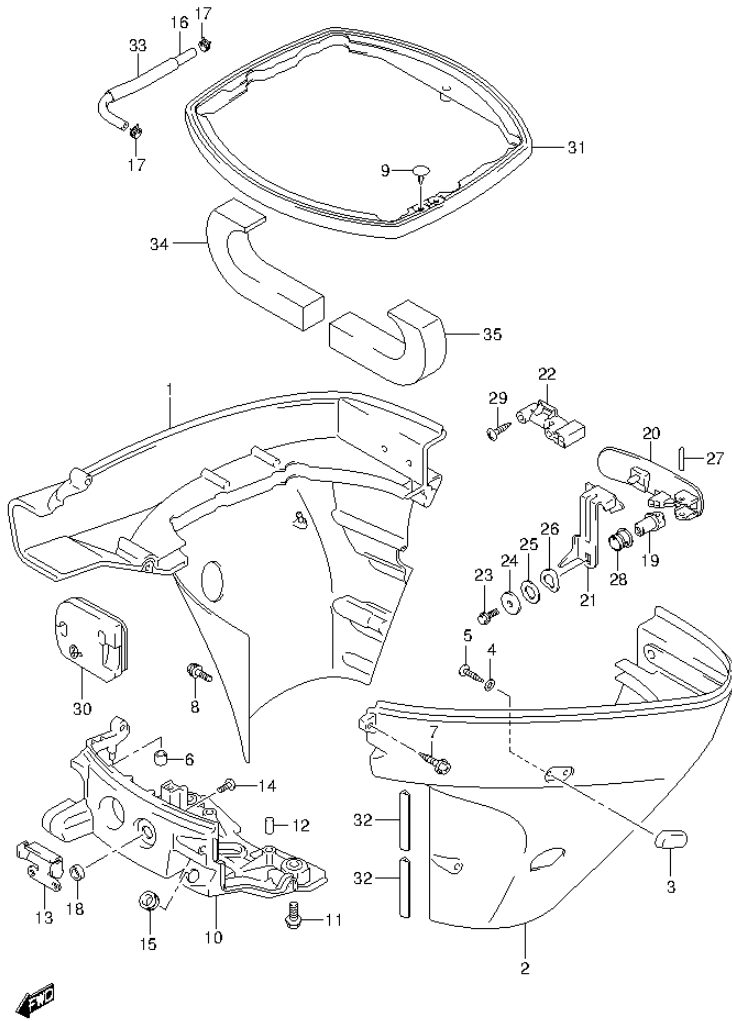


FIG.57 (1-F-13) SIDE COVER (DF25Q E01)

REF NO.	PART NO.	DESCRIPTION	Q'TY	REMARKS
31	61134-95J01	SEAL, SIDE COVER	1	
32	61135-95J00	CUSHION, SIDE COVER	2	
33	18498-90J00	PROTECTOR, WTR INDICATOR HOSE	1	L:290->140
34	54144-95J00	SEAL, UPPER MOUNT STBD	1	
35	54145-95J00	SEAL, UPPER MOUNT PORT	1	

FIG.58

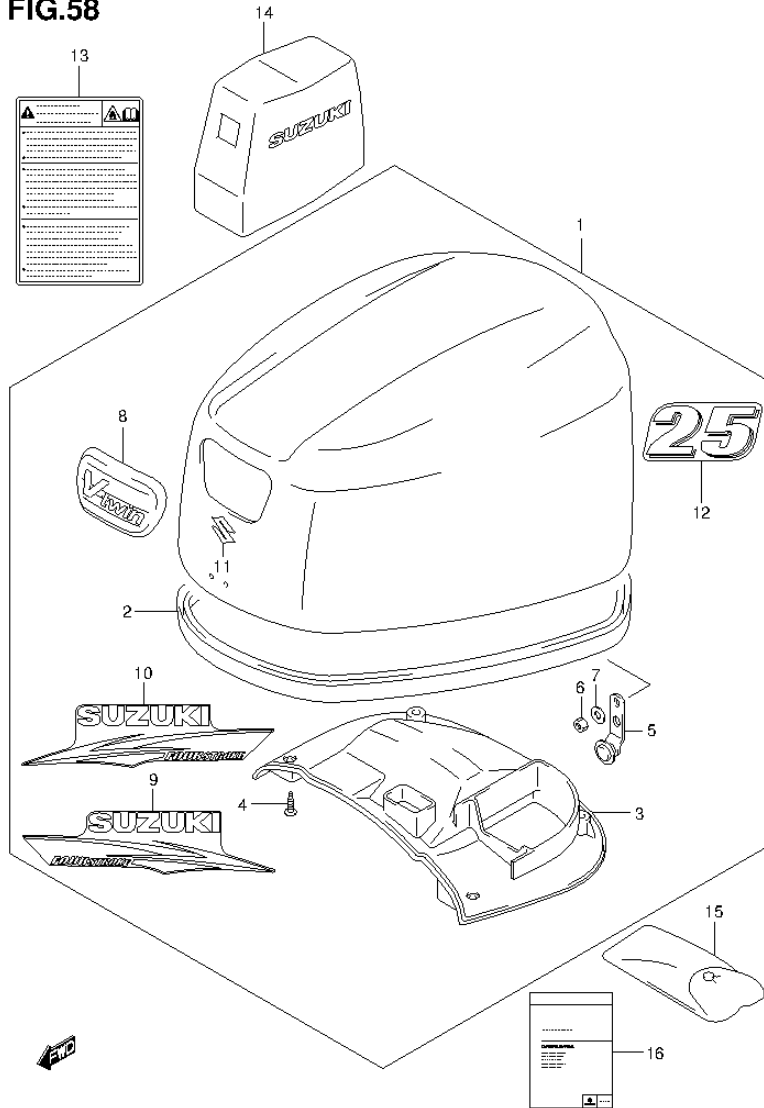


FIG.58 (1-F-14) ENGINE COVER (DF25 E01)

REF NO.	PART NO.	DESCRIPTION	Q'TY	REMARKS
1-1	61400-95Y53-0EP	COVER SET, ENGINE (BLACK)	1	W/MANUAL STARTER
1-2	61400-95Y63-0EP	COVER SET, ENGINE (BLACK)	1	W/ELECTRIC STARTER
2	61112-95J00	.RUBBER, ENGINE COVER	1	
3	61433-95J00	.COVER, AIR INTAKE INNER	1	
4	03542-05209	.SCREW	4	
5	61610-95J00	.FASTENER, REAR	1	
6	09140-06020	.NUT	1	
7	09160-06094	.WASHER (6.5X15X1.5)	1	
8	61465-95J00	.EMBLEM, ENGINE COVER	1	W/ELECTRIC STARTER
9	61443-95J22	.STRIPE, ENGINE COVER STBD	1	
10	61453-95J22	.STRIPE, ENGINE COVER PORT	1	
11	68111-18G20	.EMBLEM, "S"	1	
12	61435-95J42	.MARK, EMBLEM REAR (25)	1	
13	61458-99E70	LABEL, ENGINE COVER	1	
14	68110-88L00	COVER, WEATHER	1	OPT
15	09800-81822	TOOL SET	1	
16	99011-95J20-056	MANUAL OWNER'S	1	

FIG.59

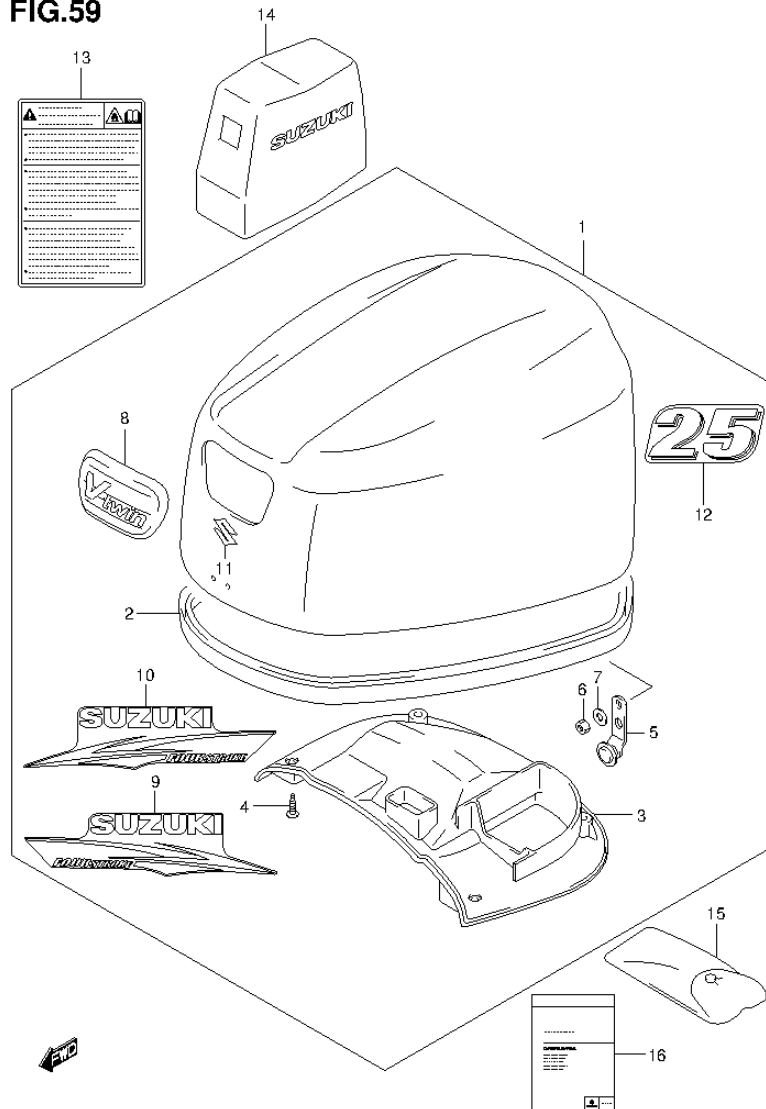


FIG.59 (1-F-15) ENGINE COVER (DF25R E01)

REF NO.	PART NO.	DESCRIPTION	Q'TY	REMARKS
1	61400-95Y63-0EP	COVER SET, ENGINE (BLACK)	1	
2	61112-95J00	.RUBBER, ENGINE COVER	1	
3	61433-95J00	.COVER, AIR INTAKE INNER	1	
4	03542-05209	.SCREW	4	
5	61610-95J00	.FASTENER, REAR	1	
6	09140-06020	.NUT	1	
7	09160-06094	.WASHER (6.5X15X1.5)	1	
8	61465-95J00	.EMBLEM, ENGINE COVER	1	
9	61443-95J22	.STRIPE, ENGINE COVER STBD	1	
10	61453-95J22	.STRIPE, ENGINE COVER PORT	1	
11	68111-18G20	.EMBLEM, "S"	1	
12	61435-95J42	.MARK, EMBLEM REAR (25)	1	
13	61458-99E70	LABEL, ENGINE COVER	1	
14	68110-88L00	COVER, WEATHER	1	OPT
15	09800-81822	TOOL SET	1	
16	99011-95J20-056	MANUAL OWNER'S	1	

FIG.60

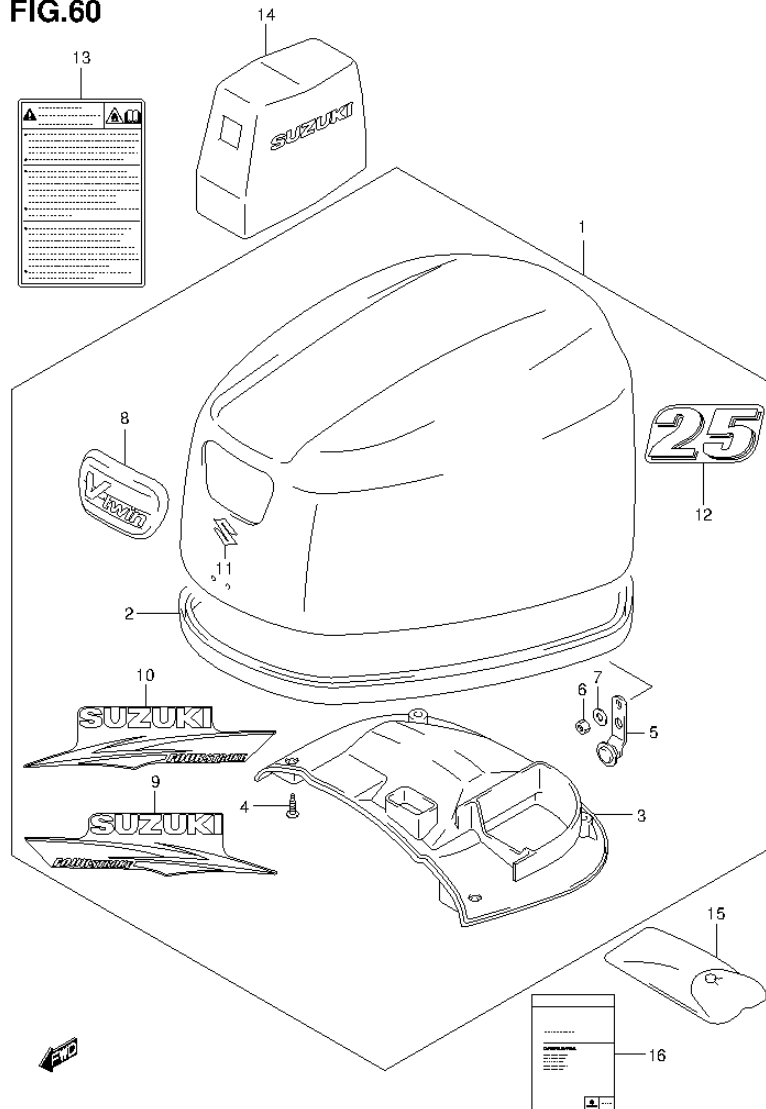
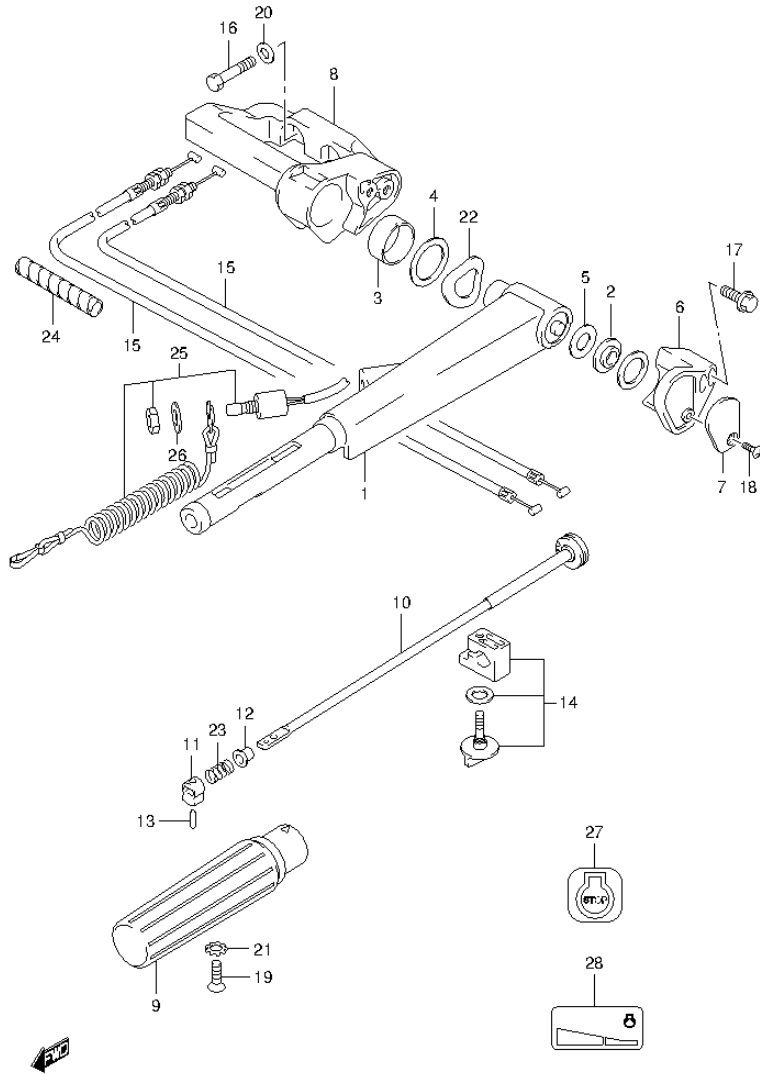


FIG.60 (1-G-2) ENGINE COVER (DF25Q E01)

REF NO.	PART NO.	DESCRIPTION	Q'TY	REMARKS
1	61400-95Y63-0EP	COVER SET, ENGINE (BLACK)	1	
2	61112-95J00	.RUBBER, ENGINE COVER	1	
3	61433-95J00	.COVER, AIR INTAKE INNER	1	
4	03542-05209	.SCREW	4	
5	61610-95J00	.FASTENER, REAR	1	
6	09140-06020	.NUT	1	
7	09160-06094	.WASHER (6.5X15X1.5)	1	
8	61465-95J00	.EMBLEM, ENGINE COVER	1	
9	61443-95J22	.STRIPE, ENGINE COVER STBD	1	
10	61453-95J22	.STRIPE, ENGINE COVER PORT	1	
11	68111-18G20	.EMBLEM, "S"	1	
12	61435-95J42	.MARK, EMBLEM REAR (25)	1	
13	61458-99E70	LABEL, ENGINE COVER	1	
14	68110-88L00	COVER, WEATHER	1	OPT
15	09800-81822	TOOL SET	1	
16	99011-95J20-056	MANUAL OWNER'S	1	

FIG.61

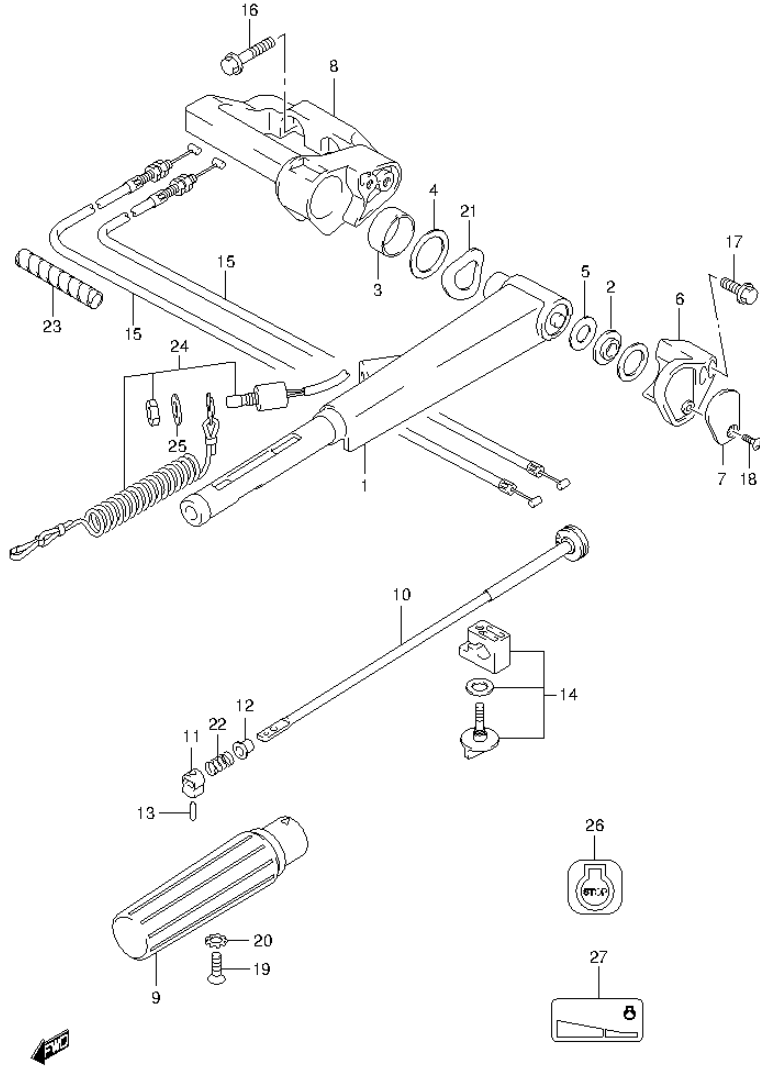
FIG.61 (1-G-3) TILLER HANDLE (DF25 E01)



REF NO.	PART NO.	DESCRIPTION	Q'TY	REMARKS
1	63111-95J00-0EP	HANDLE, TILLER (BLACK)	1	
2	63114-94300	SPACER, HANDLE COVER	1	
3	63115-89J00	BUSH, TILLER HANDLE	1	
4	63115-96310	SPACER, HANDLE COVER INSIDE	1	
5	63118-94300	SHIM (13.2X31X0.3)	1	
6	63121-95J00-0EP	COVER, TILLER HANDLE (BLACK)	1	
7	63122-95J00	PROTECTOR, HANDLE COVER	1	
8	63131-95J00-0EP	BRACKET, TILLER HANDLE (BLACK)	1	
9	63210-93E30	GRIP, HANDLE	1	
10	63220-96320	ROD, HANDLE	1	
11	63223-89J00	STOPPER, HANDLE ROD	1	
12	63225-93200	BUSH, HANDLE ROD	1	
13	63227-93200	PIN, HANDLE ROD	1	
14	63240-97E10	ADJUSTER SET, HANDLE GRIP	1	
15	63610-95J01	CABLE ASSY, THROTTLE	2	
16	09100-10220	BOLT (10X35)	2	
17	09116-08137	BOLT (8X22)	2	
18	09125-05042	SCREW (5X10)	1	
19	09126-06015	SCREW (6X23)	1	
20	09160-10098	WASHER (10X18X1)	2	
21	09163-06001	LOCK WASHER	1	
22	09164-32005	WASHER	1	
23	09440-12027	SPRING	1	
24	33833-91J00	TUBE, THROTTLE CABLE	1	
25	37830-95J02	SWITCH ASSY, EMERGENCY & STOP	1	
26	09160-12067	WASHER (12.5X23X1)	1	
27	37835-95D00	LABEL, STOP	1	
28	69714-95J00	MARK, HANDLE GRIP	1	

FIG.62

FIG.62 (1-G-4) TILLER HANDLE (DF25Q E01)



REF NO.	PART NO.	DESCRIPTION	Q'TY	REMARKS
1	63111-95J00-0EP	HANDLE, TILLER (BLACK)	1	
2	63114-94300	SPACER, HANDLE COVER	1	
3	63115-89J00	BUSH, TILLER HANDLE	1	
4	63115-96310	SPACER, HANDLE COVER INSIDE	1	
5	63118-94300	SHIM (13.2X31X0.3)	1	
6	63121-95J00-0EP	COVER, TILLER HANDLE (BLACK)	1	
7	63122-95J00	PROTECTOR, HANDLE COVER	1	
8	63131-95J00-0EP	BRACKET, TILLER HANDLE (BLACK)	1	
9	63210-93E30	GRIP, HANDLE	1	
10	63220-96320	ROD, HANDLE	1	
11	63223-89J00	STOPPER, HANDLE ROD	1	
12	63225-93200	BUSH, HANDLE ROD	1	
13	63227-93200	PIN, HANDLE ROD	1	
14	63240-97E10	ADJUSTER SET, HANDLE GRIP	1	
15	63610-95J01	CABLE ASSY, THROTTLE	2	
16	09116-10143	BOLT (10X40)	2	
17	09116-08137	BOLT (8X22)	2	
18	09125-05042	SCREW (5X10)	1	
19	09126-06015	SCREW (6X23)	1	
20	09163-06001	LOCK WASHER	1	
21	09164-32005	WASHER	1	
22	09440-12027	SPRING	1	
23	33833-91J00	TUBE, THROTTLE CABLE	1	
24	37830-95J02	SWITCH ASSY, EMERGENCY & STOP	1	
25	09160-12067	WASHER (12.5X23X1)	1	
26	37835-95D00	LABEL, STOP	1	
27	69714-95J00	MARK, HANDLE GRIP	1	

FIG.63

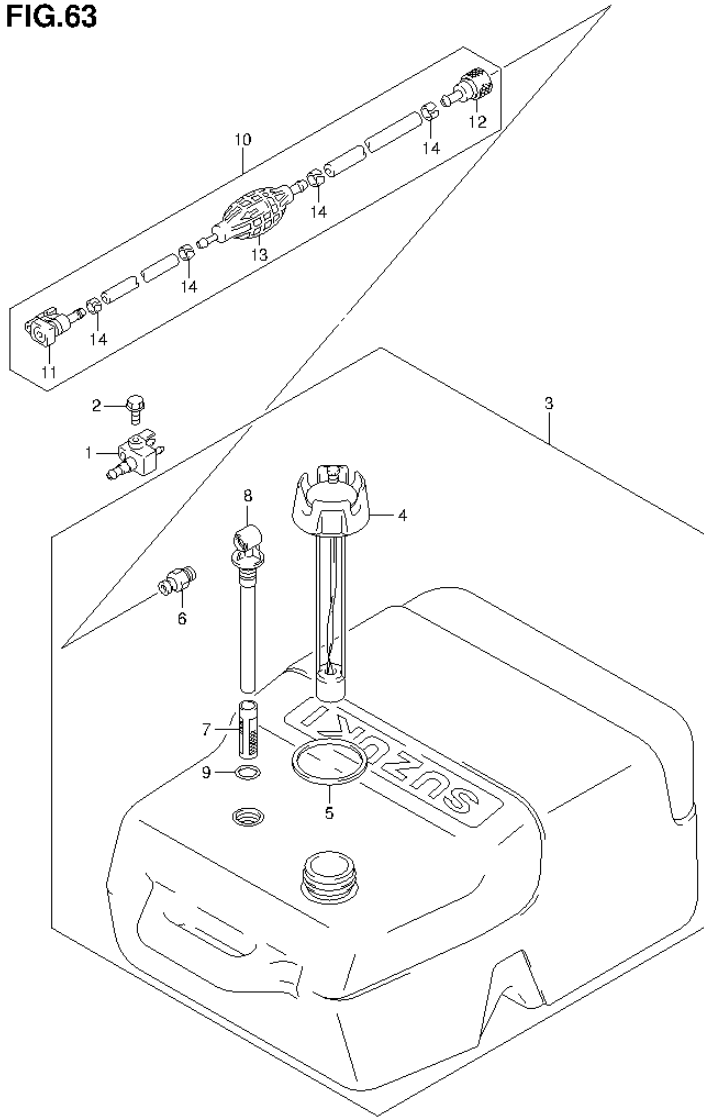
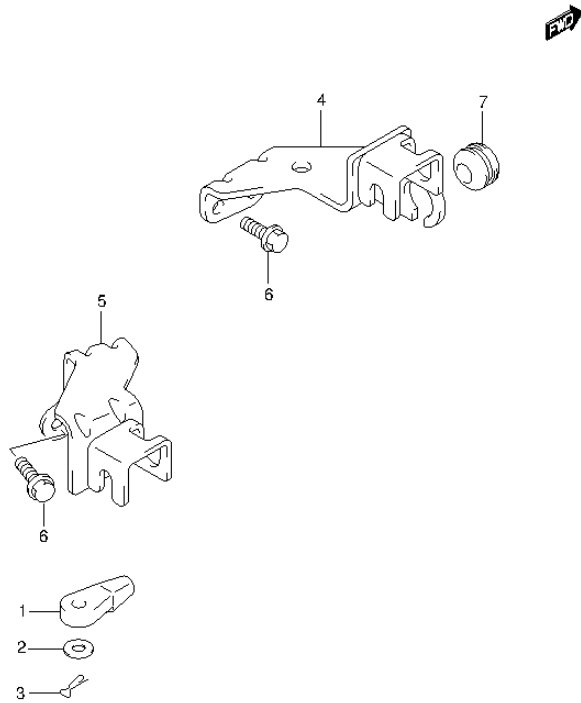


FIG.63 (1-G-5) FUEL TANK (RESIN)

REF NO.	PART NO.	DESCRIPTION	Q'TY	REMARKS
1	65720-986L0	PLUG, FUEL CONNECTOR	1	
2	09103-06237	BOLT (6X12.5)	1	
3	65000-95D01	TANK ASSY, FUEL (25L)	1	
4	65520-95D00	.CAP	1	
5	65561-95D00	.GASKET, TANK CAP	1	
6	65740-95D01	.PLUG, FUEL CONNECTOR	1	
7	65831-95D00	.FILTER, OUTLET	1	
8	65890-95D00	.OUTLET ASSY	1	
9	65892-95D00	.O RING, OUTLET	1	
10	65700-87J15	HOSE, FUEL (TANK TO CONN)	1	
11	65750-87J11	.SOCKET, FUEL HOSE	1	
12	65750-95500	.SOCKET, FUEL HOSE	1	
13	65770-90J11	.PUMP, SQUEEZE	1	
14	65781-98500	.CLIP	4	



**FIG.64**



**FIG.64 (1-G-6) REMOCON CABLE (DF25R E01)**

REF NO.	PART NO.	DESCRIPTION	Q'TY	REMARKS
1	67467-89J01	CONNECTOR, REMOCON CABLE	2	
2	09160-06055	WASHER (7X12X1)	2	
3	09385-06012	CLIP	2	
4	67340-95J01	HOLDER, REMOCON CABLE	1	CLUTCH
5	67350-95J01	HOLDER, REMOCON CABLE	1	THROTTLE
6	09116-06236	BOLT (6X16)	4	
7	09308-08013	GROMMET	1	

FIG.65

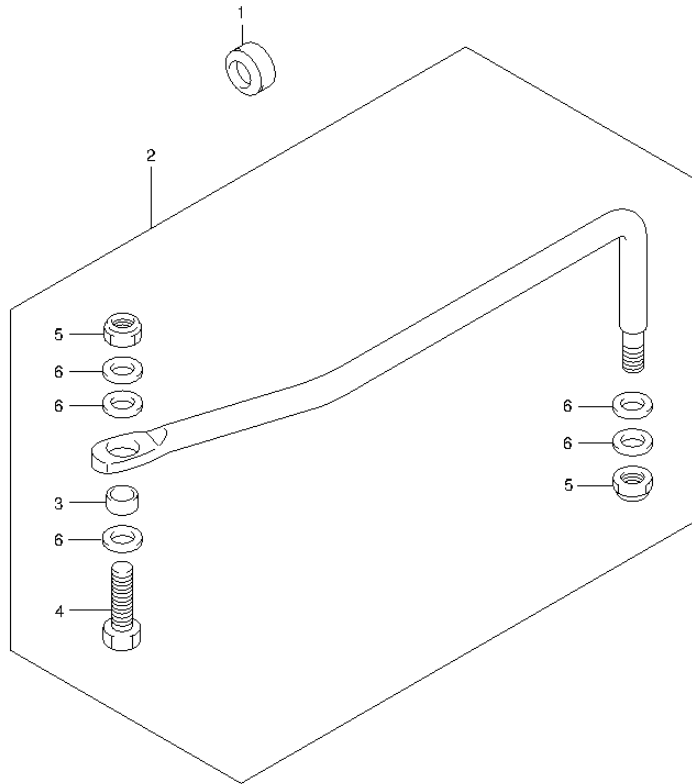


FIG.65 (1-G-7) DRAG LINK (DF25R E01)

REF NO.	PART NO.	DESCRIPTION	Q'TY	REMARKS
1	41161-94400	SEAL, STEERING CABLE	1	
2	67701-95J00	LINK ASSY, DRAG	1	
3	67721-89J00	.SPACER	1	
4	67725-96J00	.BOLT, DRAG LINK	1	
5	67726-99E00	.NUT	2	
6	67728-99E00	.WASHER	5	



FIG.66

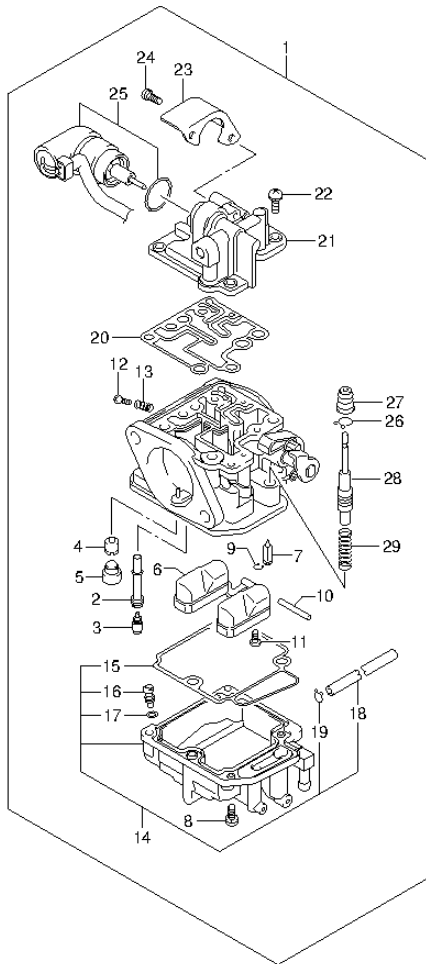


FIG.66 (1-G-8) OPT:CARBURETOR (MANUAL STARTER) (DF25 E01)

REF NO.	PART NO.	DESCRIPTION	Q'TY	REMARKS
1	13200-95J20	CARBURETOR ASSY	1	
2	13236-95J00	.NOZZLE, MAIN	1	
3	09491-26020	.JET, MAIN (132)	1	
4	09492-48016	.JET, PILOT (48)	1	
5	13239-94J00	.CAP, RUBBER	1	
6	13250-94J00	.FLOAT	1	
7	13370-94J00	.VALVE, FLOAT	1	
8	13247-94J00	.SCREW	4	
9	13375-26E00	.CLIP	1	
10	13254-94J00	.PIN, ARM	1	
11	13802-94J00	.SCREW	1	
12	13534-94J00	.SCREW, STOP	1	
13	13268-94J00	.SPRING	1	
14	13240-95J00	.CHAMBER, ASSY FLOAT	1	
15	13251-94J00	.GASKET, FLOAT CHAMBER	1	
16	13279-94J00	.SCREW, DRAIN	1	
17	13523-94J00	.O RING	1	
18	13684-94J00	.PIPE	1	
19	09401-05402-XC0	.CLIP	1	
20	13345-94J00	.U RING	1	
21	13346-95J00	.COVER	1	
22	13247-94J00	.SCREW	4	
23	13428-95J00	.GUARD, HEATER	1	
24	13367-94J00	.SCREW	2	
25	13368-95J00	.STARTER ASSY	1	
26	13494-94J00	.CLIP	1	
27	13495-94J00	.CAP, RUBBER	1	
28	13493-95J00	.PLUNGER	1	
29	13441-94J00	.SPRING	1	

FIG.67

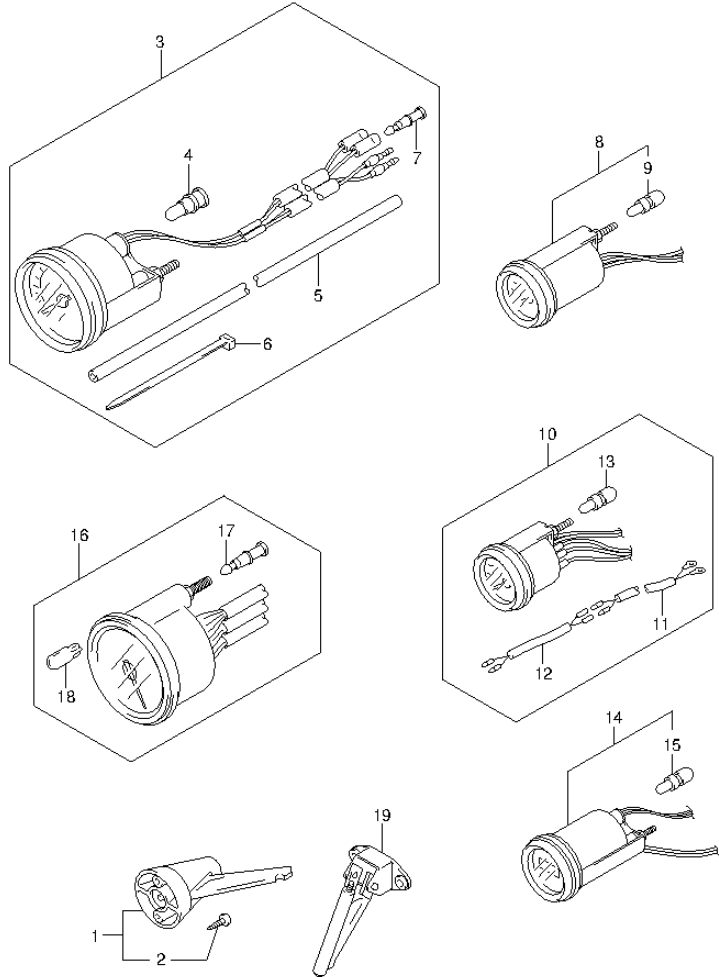


FIG.67 (1-G-9) OPT:METER (DF25R E01)

REF NO.	PART NO.	DESCRIPTION	Q'TY	REMARKS
1	34190-95500	SENDER ASSY, SPEEDOMETER	1	
2	03112-06303	.SCREW	2	
3-1	34100-93J20	SPEEDOMETER ASSY	1	MAX 80KM/H BLACK
3-2	34100-93J31	SPEEDOMETER ASSY	1	MAX 80KM/H WHITE
3-3	34100-93J40	SPEEDOMETER ASSY	1	MAX 45KNOTS BLACK
3-4	34100-93J51	SPEEDOMETER ASSY	1	MAX 45KNOTS WHITE
4	09471-12028	.BULB (12V,3.4W)	1	
5	34191-92E00	.TUBE	1	
6	09407-14407	.CLAMP (L:145)	2	
7	36615-96300	.TERMINAL, RESIN	2	
8-1	34600-93J00	METER ASSY, VOLTAGE	1	BLACK
8-2	34600-93J11	METER ASSY, VOLTAGE	1	WHITE
9	09471-12103	.BULB (12V,3W,T6.5)	1	
10-1	34300-93J00	GAUGE ASSY, FUEL	1	BLACK
10-2	34300-93J11	GAUGE ASSY, FUEL	1	WHITE
11	34310-92E00	.LEAD, FUEL GAUGE	1	
12	34360-92E00	.ADAPTER, FUEL GAUGE	1	
13	09471-12103	.BULB (12V,3W,T6.5)	1	
14-1	34500-93J00	METER ASSY, HOUR	1	BLACK
14-2	34500-93J11	METER ASSY, HOUR	1	WHITE
15	09471-12103	.BULB (12V,3W,T6.5)	1	
16-1	34200-93J20	TACHOMETER ASSY	1	BLACK
16-2	34200-93J31	TACHOMETER ASSY	1	WHITE
17	36615-96300	.TERMINAL, RESIN	4	
18	09471-12028	.BULB (12V,3.4W)	1	
19	34190-87D00	SENDER, SPEEDOMETER	1	

FIG.68

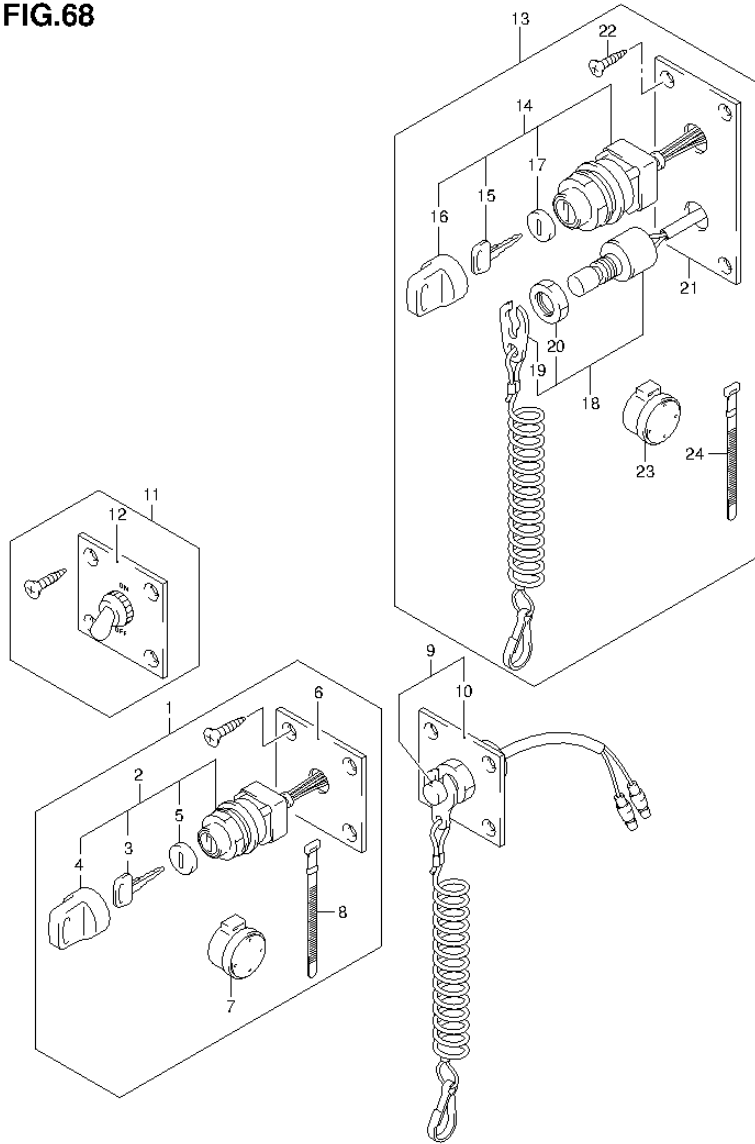


FIG.68 (1-G-10) OPT:SWITCH (DF25R E01)

REF NO.	PART NO.	DESCRIPTION	Q'TY	REMARKS
1	37100-96J00	PANEL ASSY, IGNITION SW	1	
2	37110-93J01	..SWITCH ASSY, IGNITION	1	
3-1	37141-99E00	..KEY (931)	2	
3-2	37141-99E10	..KEY (932)	2	
3-3	37141-99E20	..KEY (933)	2	
3-4	37141-99E30	..KEY (934)	2	
3-5	37141-99E40	..KEY (935)	2	
3-6	37141-99E50	..KEY (936)	2	
3-7	37141-99E60	..KEY (937)	2	
3-8	37141-99E70	..KEY (938)	2	
3-9	37141-99E80	..KEY (939)	2	
3-10	37141-99E90	..KEY (940)	2	
3-11	37141-99EA0	..KEY (941)	2	
3-12	37141-99EB0	..KEY (942)	2	
4	37143-99E00	..CAP, KEY	1	
5	37149-93J00	..CAP, CYLINDER BODY	1	
6	37139-99E00	..PANEL, IGNITION SW	1	
7	38500-93J90	..BUZZER ASSY, WARNING	1	
8	09407-08401	..CLAMP (L:80)	1	
9	37803-93J03	PANEL ASSY, EMERGENCY SW	1	
10	37825-99E00	..PANEL, EMERGENCY SW	1	
11	37210-93J00	PANEL ASSY, LIGHTING SW	1	
12	37212-93J00	..PANEL, LIGHTING SW	1	
13	37100-96J23	PANEL ASSY, ENGINE SW	1	
14	37110-93J01	..SWITCH ASSY, IGNITION	1	
15-1	37141-99E00	..KEY (931)	2	
15-2	37141-99E10	..KEY (932)	2	
15-3	37141-99E20	..KEY (933)	2	
15-4	37141-99E30	..KEY (934)	2	
15-5	37141-99E40	..KEY (935)	2	
15-6	37141-99E50	..KEY (936)	2	
15-7	37141-99E60	..KEY (937)	2	
15-8	37141-99E70	..KEY (938)	2	
15-9	37141-99E80	..KEY (939)	2	

FIG.68

FIG.68 (1-G-11) OPT:SWITCH (DF25R E01)

REF NO.	PART NO.	DESCRIPTION	Q'TY	REMARKS
15-10	37141-99E90	..KEY (940)	2	
15-11	37141-99EA0	..KEY (941)	2	
15-12	37141-99EB0	..KEY (942)	2	
16	37143-99E00	..CAP, KEY	1	
17	37149-93J00	..CAP, CYLINDER BODY	1	
18	37820-93J03	..SWITCH ASSY, EMERGENCY	1	
19	37823-92E01	..PLATE ASSY, EMERGENCY SW LOCK	1	
20	37826-92E00	..NUT	1	
21	37139-99E20	..PANEL	1	
22	03121-0516A	..SCREW	4	
23	38500-93J90	..BUZZER ASSY, WARNING	1	
24	09407-08401	..CLAMP (L:80)	1	

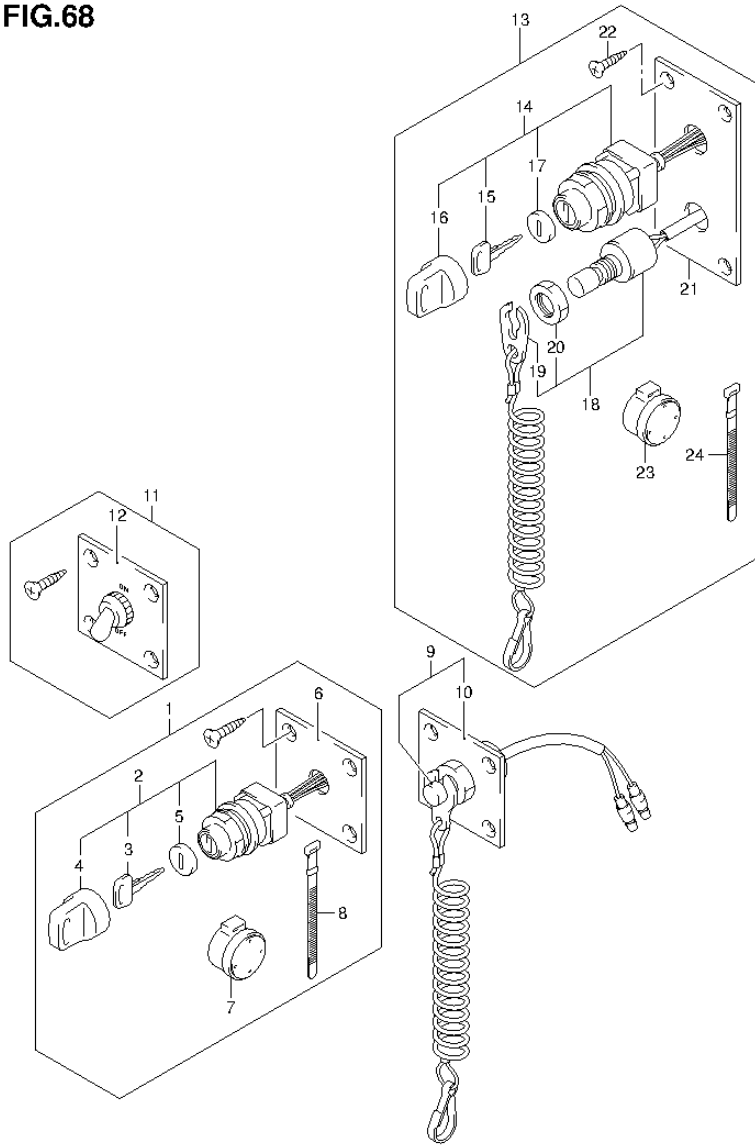
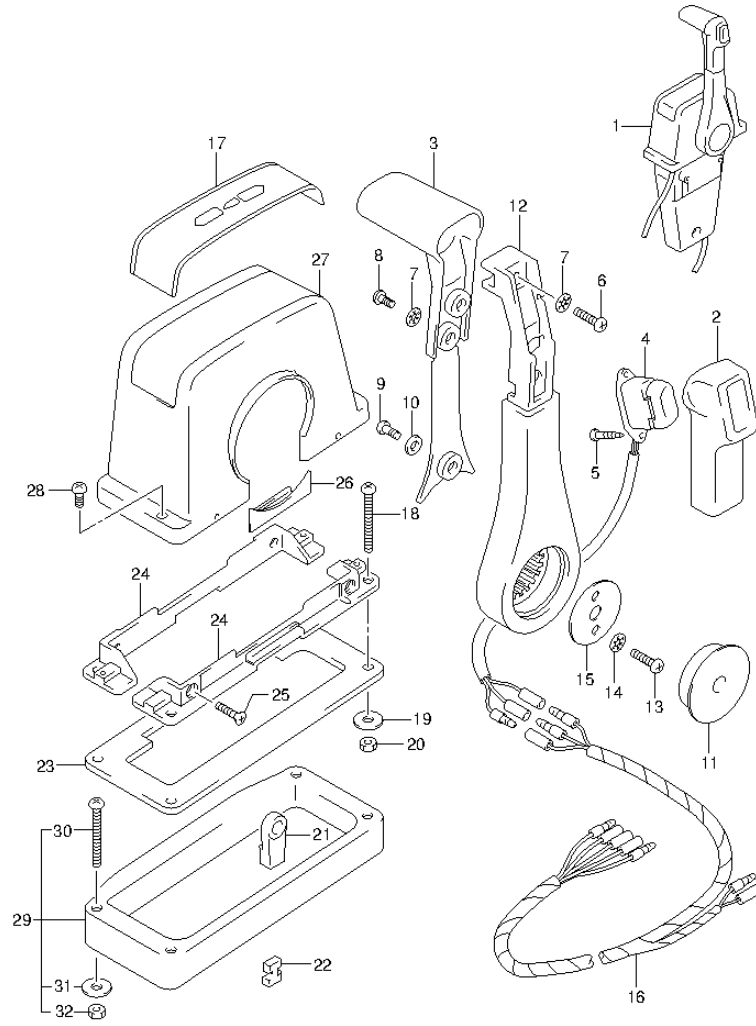


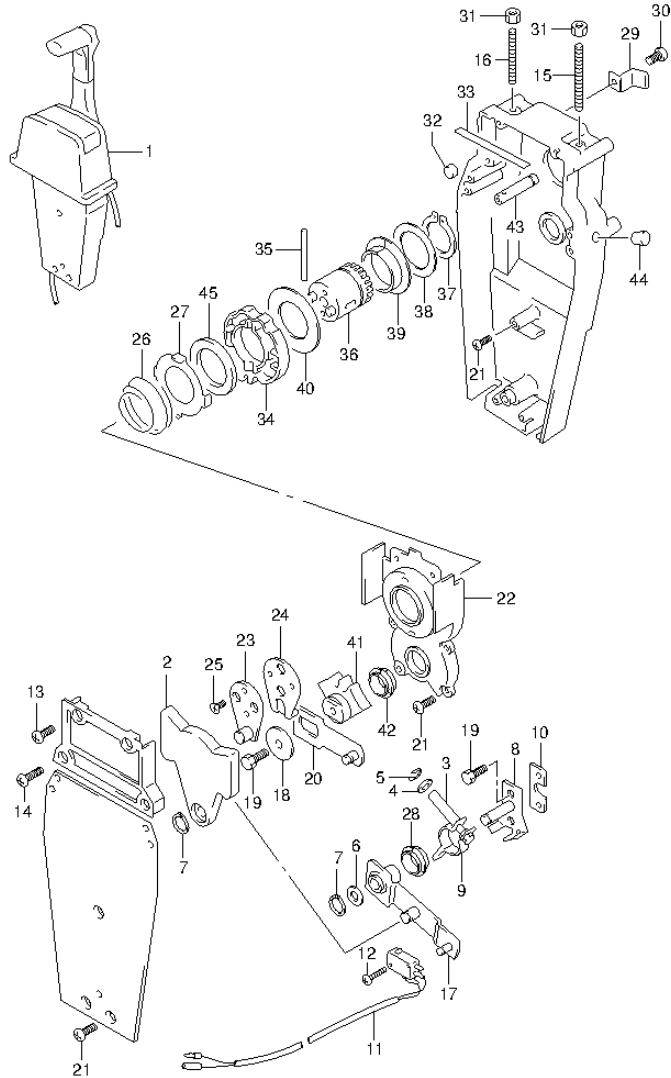
FIG.69

FIG.69 (1-G-12) OPT:REMOTE CONTROL ASSY SINGLE (1) (DF25R E01)



REF NO.	PART NO.	DESCRIPTION	Q'TY	REMARKS
1	67200-93J13	REMOTE CONTROL ASSY	1	PUSH
2	67261-93J00	.GRIP, NO.1	1	
3	67263-93J00	.GRIP, NO.2	1	
4	37850-93J10	.SWITCH ASSY, PTT	1	
5	67295-92E10	.SCREW	2	
6	67296-88D10	.SCREW	1	
7	67288-92E20	.WASHER	3	
8	67295-92E00	.SCREW	2	
9	67296-92E70	.SCREW	1	
10	67288-92E40	.WASHER	1	
11	67257-92E00	.CAP, LEVER	1	
12	67251-93J00	.LEVER, HANDLE	1	
13	67296-92E60	.SCREW	2	
14	67288-92E30	.WASHER	2	
15	67253-92E00	.WASHER	1	
16	36890-93J00	.WIRE, NEUTRAL & PTT SWITCH	1	
17	67281-93J00	.DECAL	1	
18	67296-92E30	.SCREW	4	
19	09160-05024	.WASHER (5.5X16X1.5)	4	
20	67287-92E00	.NUT	4	
21	67275-95600	.END, CABLE	2	
22	67273-95600	.SPACER	1	
23	67273-92E00	.GROMMET	1	
24	67274-92E00	.FLANGE	2	
25	67296-95610	.SCREW	4	
26	67271-92E00	.COVER	1	
27	67211-93J00	.COVER, BODY	1	
28	67296-92E70	.SCREW	2	
29	67500-93J00	KIT, REMOCON SPACER SINGLE	1	
30	09125-05135	.SCREW (5X65)	4	
31	09160-05029	.WASHER (5.5X12X0.8)	4	
32	09140-05005	.NUT	4	

**FIG.70**

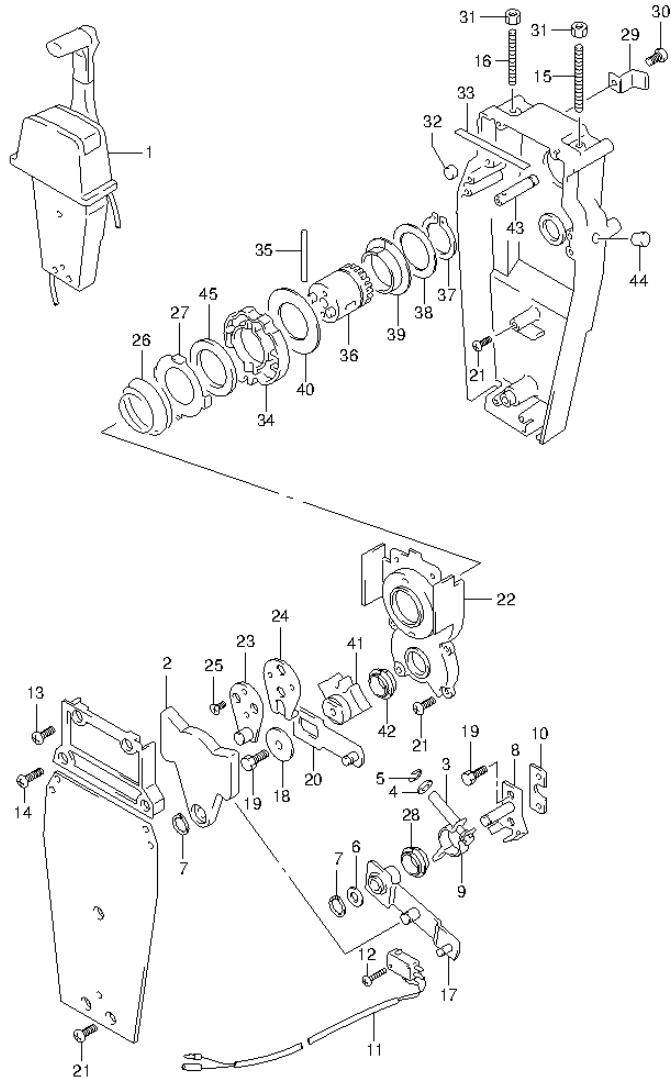


**FIG.70 (1-G-13) OPT:REMOTE CONTROL ASSY SINGLE (2) (DF25R E01)**

REF NO.	PART NO.	DESCRIPTION	Q'TY	REMARKS
1	67200-93J13	REMOTE CONTROL ASSY	1	PUSH
2	67222-92E00	.DUAL PLATE	1	
3	67223-92E00	.BRAKE ADJUST	1	
4	67288-92E00	.WASHER	1	
5	67292-94300	.E RING	4	
6	67288-92E10	.WASHER	1	
7	67291-92E00	.SNAP RING	2	
8	67221-92E00	.SHIFT ASSY	1	
9	67224-92E00	.BRAKE ARM ASSY	1	
10	67294-92E00	.SPACER	1	
11	37721-95500	.SWITCH ASSY, NEUTRAL	1	
12	67296-92E10	.SCREW (3X15)	2	
13	67296-88D10	.SCREW (5X16)	2	
14	67296-92E20	.SCREW (5X25)	2	
15	67226-92E00	.BOLT, STOPPER FRONT	1	
16	67226-92E10	.BOLT, STOPPER REAR	1	
17	67240-92E00	.ARM ASSY, THROTTLE	1	
18	67228-92E00	.WASHER	1	
19	67286-92E00	.BOLT (6X18)	3	
20	67230-92E00	.SHIFT ARM ASSY	1	
21	09125-05042	.SCREW (5X10)	9	
22	67234-92E00	.CASE, GEAR	1	
23	67245-92E00	.LEVER ASSY, THROTTLE	1	
24	67227-92E00	.STOPPER	1	
25	09126-06006	.SCREW (6X20)	2	
26	67233-92E00	.SPRING	1	
27	67235-92E00	.PLATE, SHIFT LOCK	1	
28	67232-95620	.BUSH	1	
29	67269-92E00	.BRACKET	1	
30	67296-88D10	.SCREW	1	
31	09140-06020	.NUT	2	
32	67236-92E00	.ROLLER	1	
33	67237-92E01	.SPRING	6	
34	67238-92E00	.GEAR, DRIVE	1	



**FIG.70**



**FIG.70 (1-G-14) OPT:REMOTE CONTROL ASSY SINGLE (2) (DF25R E01)**

REF NO.	PART NO.	DESCRIPTION	Q'TY	REMARKS
35	67239-92E00	.PIN	1	
36	67246-92E00	.SHAFT, DRIVE	1	
37	67291-92E10	.SNAP RING	1	
38	67253-92E10	.WASHER	1	
39	67252-92E10	.BUSH	1	
40	67253-95600	.WASHER	1	
41	67231-92E00	.GEAR, SHIFT	1	
42	67232-95600	.BUSH	1	
43	67241-92E10	.ROD, FREE ACC	1	
44	67243-92E00	.CAP, HOLE	1	
45	67239-92E10	.PLATE, SHIFT PIN	1	

FIG.71

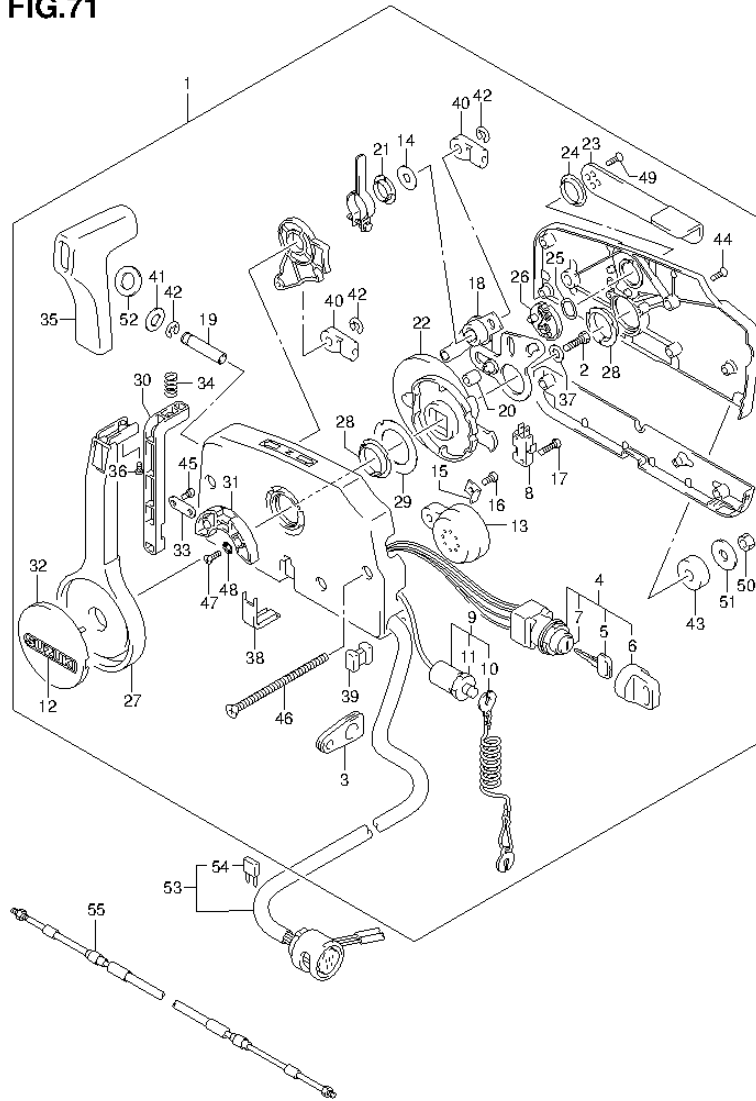


FIG.71 (1-G-15) OPT:REMOTE CONTROL (DF25R E01)

REF NO.	PART NO.	DESCRIPTION	Q'TY	REMARKS
1	67200-94J15	REMOTE CONTROL ASSY	1	
2	09100-08232	.BOLT (8X30)	1	
3	36628-92E00	.GROMMET, WIRE HARNESS	1	
4	37110-94J02	.SWITCH ASSY, IGNITION	1	
5-1	37141-99E00	..KEY (931)	2	
5-2	37141-99E10	..KEY (932)	2	
5-3	37141-99E20	..KEY (933)	2	
5-4	37141-99E30	..KEY (934)	2	
5-5	37141-99E40	..KEY (935)	2	
5-6	37141-99E50	..KEY (936)	2	
5-7	37141-99E60	..KEY (937)	2	
5-8	37141-99E70	..KEY (938)	2	
5-9	37141-99E80	..KEY (939)	2	
5-10	37141-99E90	..KEY (940)	2	
5-11	37141-99EA0	..KEY (941)	2	
5-12	37141-99EB0	..KEY (942)	2	
6	37143-99E00	..CAP, KEY	2	
7	37149-93J00	..CAP, CYLINDER BODY	1	
8	37721-93J90	.SWITCH, ASSY NEUTRAL	1	
9	37820-93J03	.SWITCH ASSY, EMERGENCY	1	
10	37823-92E01	..PLATE	1	
11	37826-92E00	..NUT	1	
12	68165-16B00-13L	.EMBLEM, SUZUKI (SILVER)	1	
13	38500-93J00	.BUZZER	1	
14	67212-95600	.WASHER	1	
15	67213-92E00	.BRACKET, BUZZER	1	
16	09125-05042	.SCREW (5X10)	1	
17	67296-92E10	.SCREW, NEUTRAL SW	2	
18	67220-95630	.PLATE ASSY	1	
19	67223-99E10	.KNOB, BRAKE ADJUST	1	
20	67229-95600	.ROLLER	1	
21	67232-95600	.BUSH	1	
22	67238-87D00	.GEAR, DRIVE	1	
23	67241-99E10	.LEVER, FREE THROTTLE	1	

FIG.71

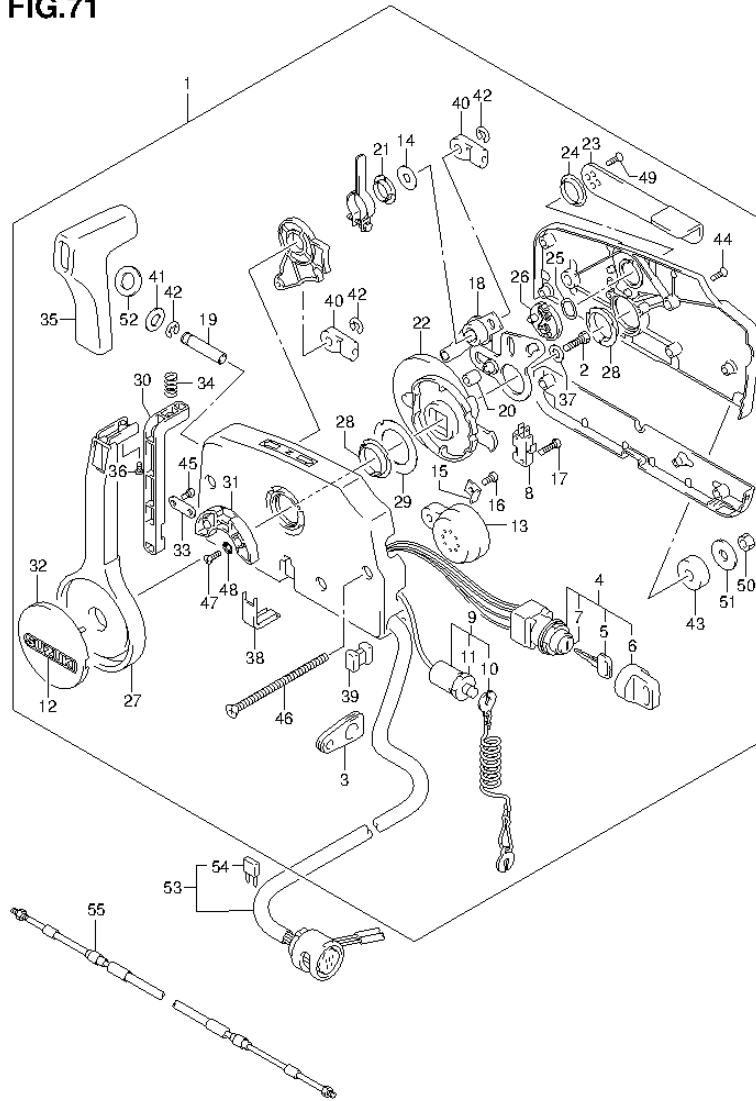


FIG.71 (1-H-2) OPT:REMOTE CONTROL (DF25R E01)

REF NO.	PART NO.	DESCRIPTION	Q'TY	REMARKS
24	67243-95600	.BUSH	1	
25	67244-95600	.WASHER, WAVE	1	
26	67245-95600	.DRUM, FREE THROTTLE	1	
27	67251-99E10	.LEVER, HANDLE	1	
28	67252-95600	.BUSH	2	
29	67253-95600	.WASHER	1	
30	67255-99E00	.ARM, LOCK	1	
31	67256-95600	.HOLDER, NEUT LOCK	1	
32	67257-99E00	.CAP, LEVER	1	
33	67258-99E00	.BRACKET, LOCK ARM	1	
34	67259-87D00	.SPRING, NEUTRAL ARM	1	
35	67261-99E00	.GRIP	1	
36	67296-94310	.SCREW	1	
37	67264-95600	.WASHER	1	
38	67267-93J00	.COVER, WIRE	1	
39	67273-95600	.SPACER	1	
40	67275-95600	.END, CABLE	2	
41	67288-92E00	.WASHER, BRAKE ADJ KNOB	1	
42	67292-94300	.E RING	3	
43	67294-95600	.SPACER	3	
44	67296-90J00	.SCREW	5	
45	67296-94300	.SCREW	2	
46	67296-95600	.SCREW	3	
47	67296-95610	.SCREW	2	
48	67297-95600	.WASHER	2	
49	09126-05003	.SCREW (5X12)	2	
50	09140-06020	.NUT	3	
51	09160-06104	.WASHER (6.5X24X2)	3	
52	37859-90J00	.SPACER	1	

FIG.71

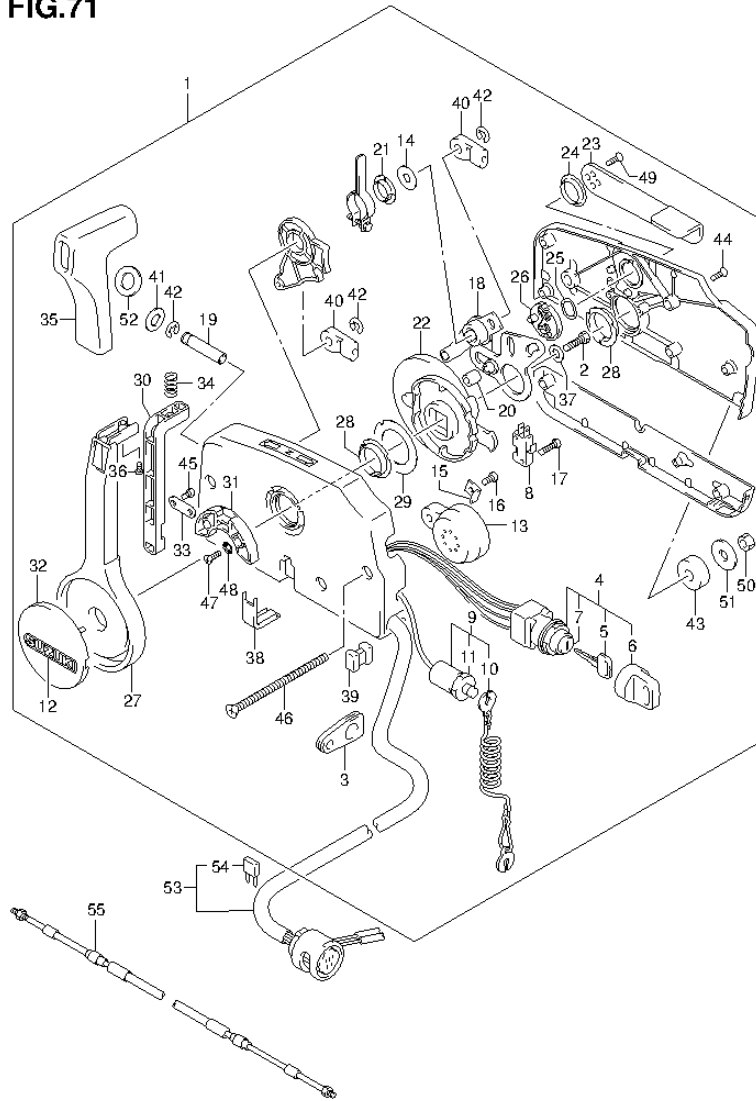


FIG.71 (1-H-3) OPT:REMOTE CONTROL (DF25R E01)

REF NO.	PART NO.	DESCRIPTION	Q'TY	REMARKS
53	36620-94J01	WIRE ASSY, REMOTE CONTROL	1	
54	09481-10501	.FUSE (10A)	1	
55-1	67320-93J00	CABLE, REMOCON 8F (2.4M)	2	
55-2	67320-93J10	CABLE, REMOCON 10F (3.1M)	2	
55-3	67320-93J20	CABLE, REMOCON 12F (3.7M)	2	
55-4	67320-93J30	CABLE, REMOCON 14F (4.2M)	2	
55-5	67320-93J40	CABLE, REMOCON 16F (4.8M)	2	
55-6	67320-93J50	CABLE, REMOCON 18F (5.4M)	2	
55-7	67320-93J60	CABLE, REMOCON 20F (6.1M)	2	
55-8	67320-93J70	CABLE, REMOCON 22F (6.7M)	2	
55-9	67320-93J80	CABLE, REMOCON 24F (7.3M)	2	

FIG.72

FIG.72 (1-H-4) OPT:REMOCON CABLE (DF25 E01)

REF NO.	PART NO.	DESCRIPTION	Q'TY	REMARKS
1	36620-94J01	WIRE ASSY, REMOTE CONTROL	1	
2	09481-10501	.FUSE (10A)	1	

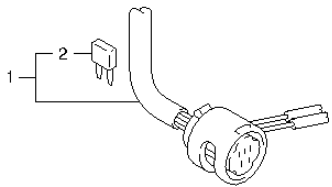


FIG.73

FIG.73 (1-H-5) OPT:REMOCON CABLE (DF25Q E01)

REF NO.	PART NO.	DESCRIPTION	Q'TY	REMARKS
1	36620-94J01	WIRE ASSY, REMOTE CONTROL	1	
2	09481-10501	.FUSE (10A)	1	

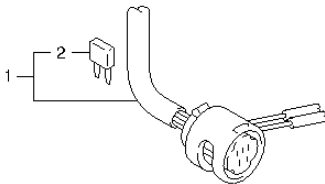


FIG.74

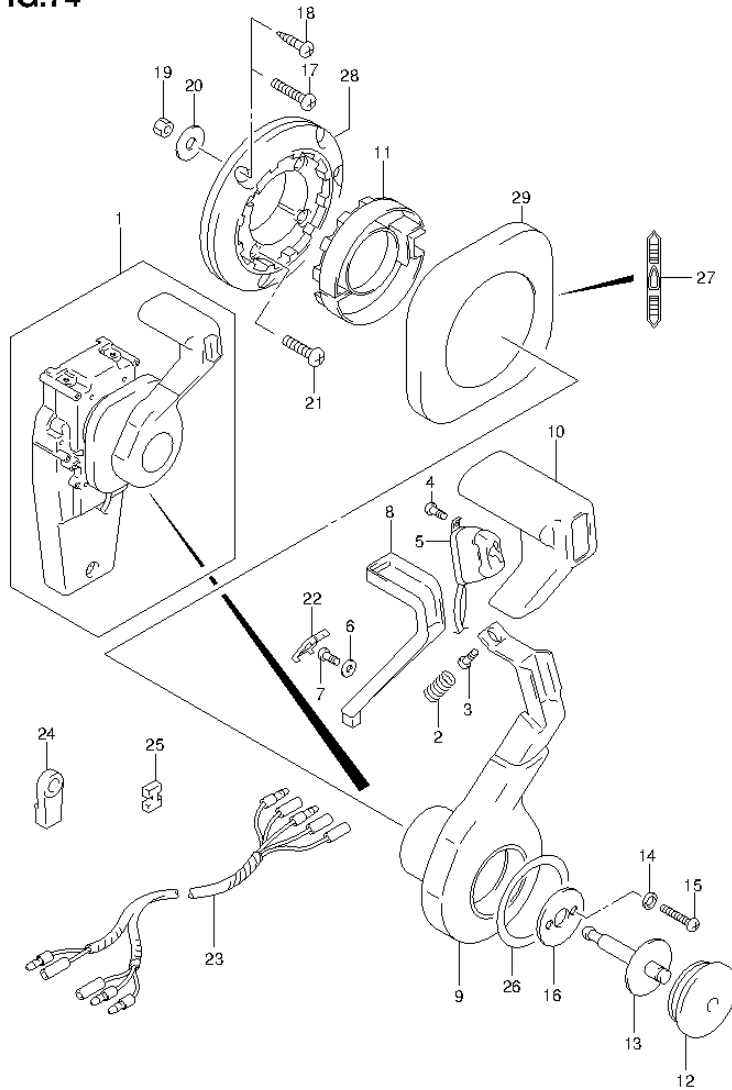


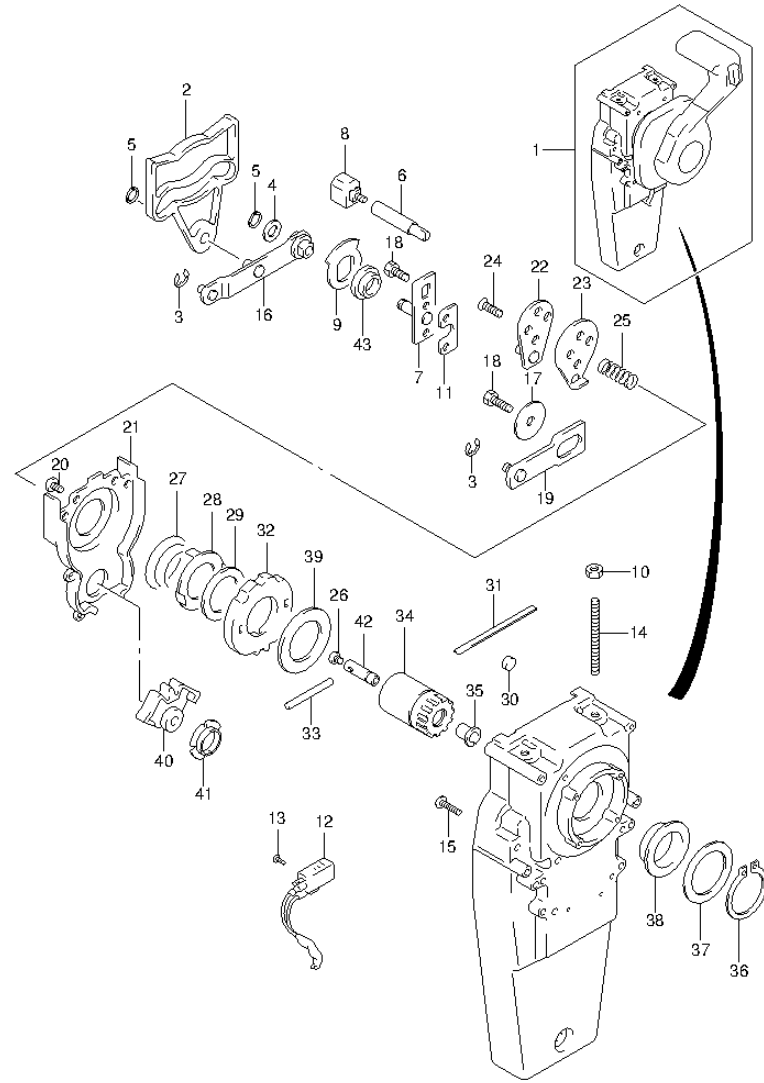
FIG.74 (1-H-6) OPT:CONCEALED REMOCON (1) (DF25R E01)

REF NO.	PART NO.	DESCRIPTION	Q'TY	REMARKS
1	67200-93J32	REMOTE CONTROL ASSY	1	
2	67298-92E50	.SPRING	1	
3	67296-94310	.SCREW	1	
4	67295-92E10	.SCREW	2	
5	37850-92E26	.SWITCH ASSY, PTT	1	
6	67288-92E60	.WASHER	1	
7	09125-04021	.SCREW (4X20)	1	
8	67255-92E50	.ARM, NEUTRAL LOCK	1	
9	67251-92E50	.LEVER	1	
10	67261-92E50	.GRIP	1	
11	67256-92E50	.HOLDER, NEUTRAL LOCK	1	
12	67257-92E00	.CAP, LEVER	1	
13	67242-92E50	.SHAFT, FREE ACC	1	
14	67288-92E20	.WASHER	6	
15	67296-88D10	.SCREW (5X16)	4	
16	67288-92E70	.WASHER	1	
17	67296-88D20	.SCREW	3	
18	67295-92E50	.SCREW	3	
19	67287-92E50	.NUT	3	
20	09160-06104	.WASHER (6.5X24X2)	3	
21	67296-88D30	.SCREW	4	
22	67254-92E50	.COVER, LOCK ARM	1	
23	36890-93J00	.WIRING ASSY	1	
24	67275-95600	.END CABLE	2	
25	67273-95600	.SPACER	1	
26	67283-92E50	.DECAL, LEVER	1	
27	67284-92E50	.DECAL, CLUTCH	1	
28	67274-92E50	.BASE	1	
29	67211-92E50	.COVER	1	

FIG.75

FIG.75 (1-H-7) OPT:CONCEALED REMOCON (2) (DF25R E01)

REF NO.	PART NO.	DESCRIPTION	Q'TY	REMARKS
1	67200-93J32	REMOTE CONTROL ASSY	1	
2	67222-92E50	.DUEL PLATE	1	
3	67292-94300	.E RING	3	
4	67288-92E10	.WASHER	1	
5	67291-92E00	.SNAP RING	2	
6	67223-92E50	.BRAKE ADJUST	1	
7	67221-92E50	.HOLDER ASSY	1	
8	67224-92E50	.BRAKE SHOE ASSY	1	
9	67225-92E50	.DISK, BRAKE	1	
10	09140-06020	.NUT	2	
11	67294-92E00	.SPACER	1	
12	37721-95500	.SWITCH ASSY, NEUTRAL	1	
13	67296-92E10	.SCREW	2	
14	67226-92E10	.BOLT, STOPPER (REAR)	2	
15	67296-92E20	.SCREW (5X25)	2	
16	67240-92E50	ARM ASSY, THROTTLE	1	
17	67228-92E00	.WASHER	1	
18	67286-92E00	.BOLT (6X18)	3	
19	67230-92E00	ARM ASSY, SHIFT	1	
20	09125-05042	.SCREW (5X10)	11	
21	67234-92E00	.GEAR CASE	1	
22	67245-92E00	LEVER ASSY, THROTTLE	1	
23	67227-92E00	.STOPPER	1	
24	67296-88D10	.SCREW (5X16)	2	
25	67225-92E00	.SPRING	1	
26	09125-04004	.SCREW (4X6)	1	
27	67233-92E00	.SPRING	1	
28	67235-92E00	.PLATE, SHIFT LOCK	1	
29	67239-92E10	.PLATE, SHIFT PIN	1	
30	67236-92E00	.ROLLER	1	
31	67237-92E01	.SPRING	5	
32	67238-92E50	.GEAR, DRIVE	1	
33	67239-92E00	.PIN	1	
34	67246-92E50	.SHAFT, DRIVE	1	





**FIG.75**

**FIG.75 (1-H-8) OPT:CONCEALED REMOCON (2) (DF25R E01)**

REF NO.	PART NO.	DESCRIPTION	Q'TY	REMARKS
35	67252-92E00	.BUSH	1	
36	67291-92E10	.SNAP RING	1	
37	67253-92E10	.WASHER	1	
38	67252-92E10	.BUSH	1	
39	67253-95600	.WASHER	1	
40	67231-92E00	.GEAR, SHIFT	1	
41	67232-95600	.BUSH	1	
42	67241-92E50	.ROD, FREE ACC	1	
43	67232-92E50	.BUSH	1	

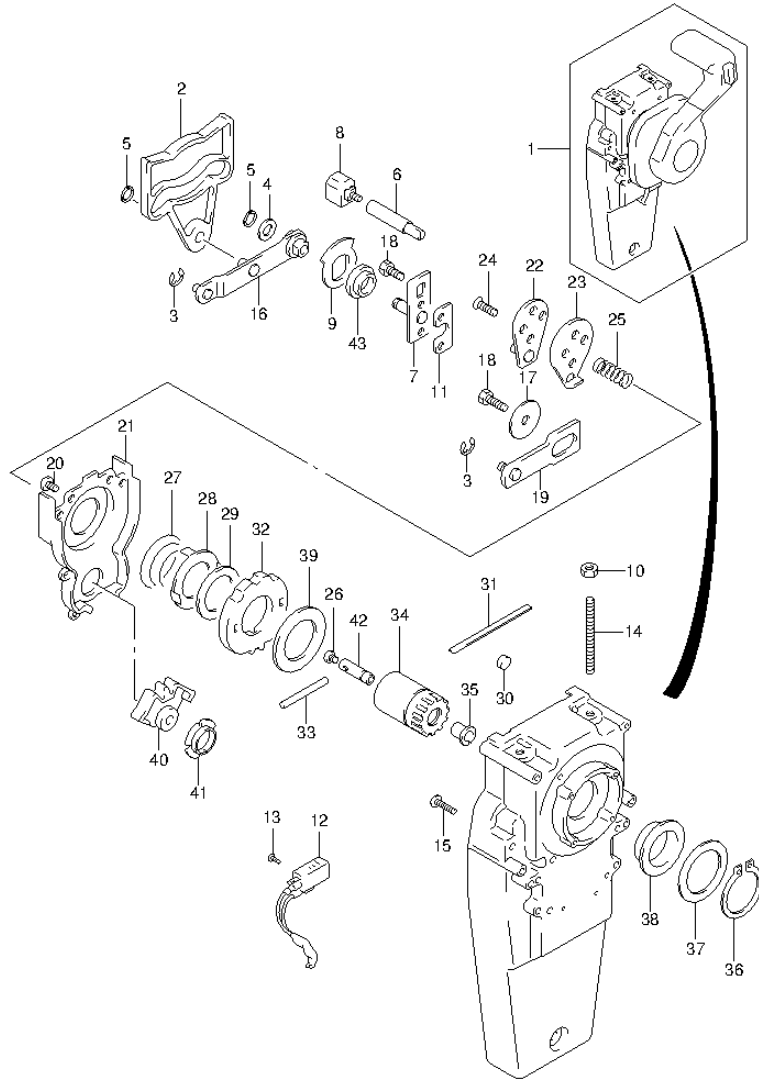


FIG.76

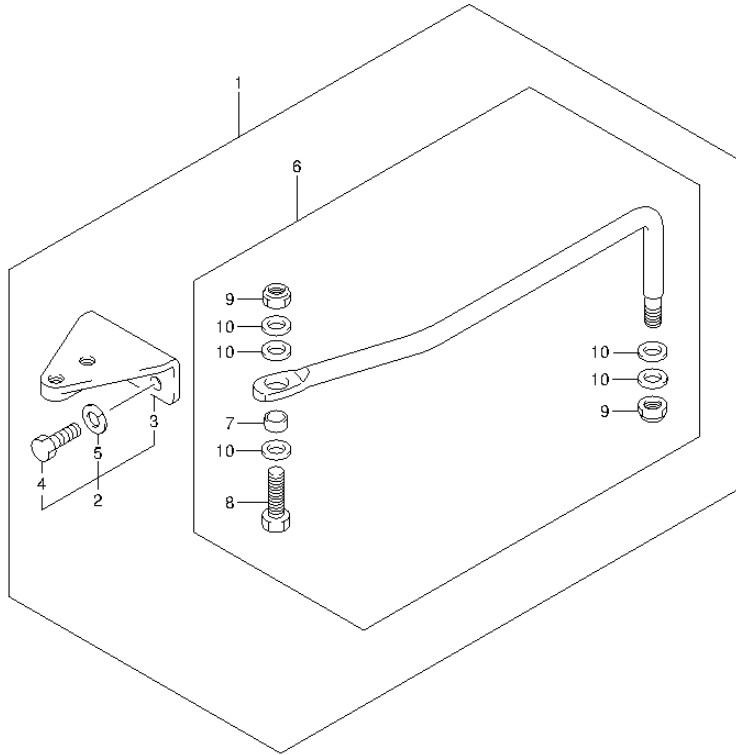


FIG.76 (1-H-9) OPT:REMOCON ATTACHMENT (DF25 E01)

REF NO.	PART NO.	DESCRIPTION	Q'TY	REMARKS
1	67700-95J01	LINK SET, DRAG	1	
2	67100-95J01	..ATTACHMENT SET, REMOCOCON	1	
3	43755-95J01	..ATTACHMENT, STEERING	1	
4	09100-10270	..BOLT (10X25)	2	
5	09162-10005	..LOCK WASHER	2	
6	67701-95J00	..LINK ASSY, DRAG	1	
7	67721-89J00	..SPACER	1	
8	67725-96J00	..BOLT	1	
9	67726-99E00	..NUT	2	
10	67728-99E00	..WASHER	5	

FIG.77

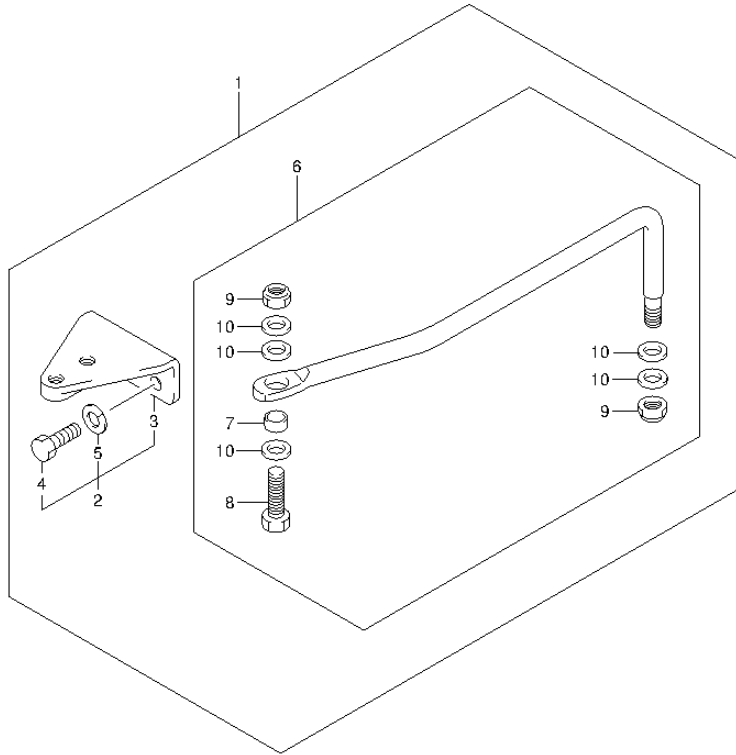


FIG.77 (1-H-10) OPT:REMOCON ATTACHMENT (DF25Q E01)

REF NO.	PART NO.	DESCRIPTION	Q'TY	REMARKS
1	67700-95J01	LINK SET, DRAG	1	
2	67100-95J01	..ATTACHMENT SET, REMOCON	1	
3	43755-95J01	..ATTACHMENT, STEERING	1	
4	09100-10270	..BOLT (10X25)	2	
5	09162-10005	..LOCK WASHER	2	
6	67701-95J00	..LINK ASSY, DRAG	1	
7	67721-89J00	..SPACER	1	
8	67725-96J00	..BOLT	1	
9	67726-99E00	..NUT	2	
10	67728-99E00	..WASHER	5	

FIG.78

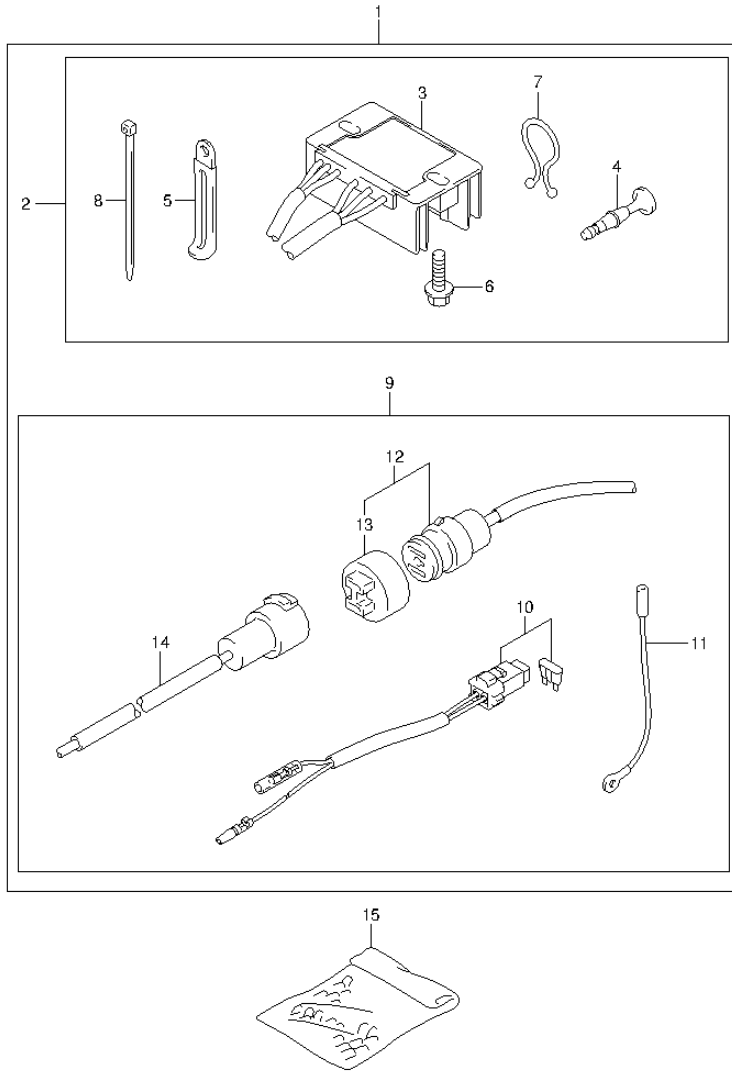


FIG.78 (1-H-11) OPT:ELECTRICAL (DF25 E01)

REF NO.	PART NO.	DESCRIPTION	Q'TY	REMARKS
1	32000-95J01	KIT, BATTERY CHARGING	1	
2	32801-95J01	..RECTIFIER / REGULATOR SET	1	
3	32800-95J01	..RECTIFIER / REGULATOR ASSY	1	
4	36615-96300	..TERMINAL, RESIN	2	
5	29404-93J10	..CLAMP, RECT / RGLTR LEAD	1	
6	01550-06257	..BOLT	2	
7	09408-00024	..CLIP (ID:23)	1	
8	09407-10404	..CLAMP (L:100)	1	
9	39600-95J01	..RECEPTACLE SET	1	
10	36740-95J00	..CASE ASSY, FUSE	1	
11	37801-98300	..LEAD, RECEPTACLE GROUND	1	
12	39601-95D00	..RECEPTACLE ASSY, LIGHTING	1	
13	36634-93910	...CAP	1	
14	39602-93900	..PLUG ASSY, LIGHTING	1	
15	36990-87D00	TERMINAL & SLEEVE SET	1	

FIG.79

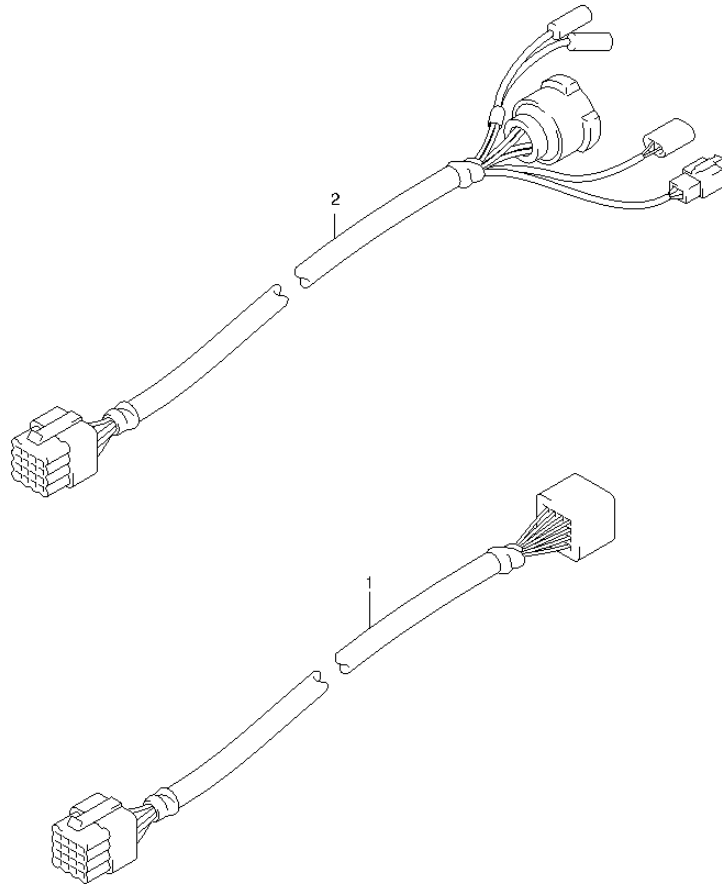
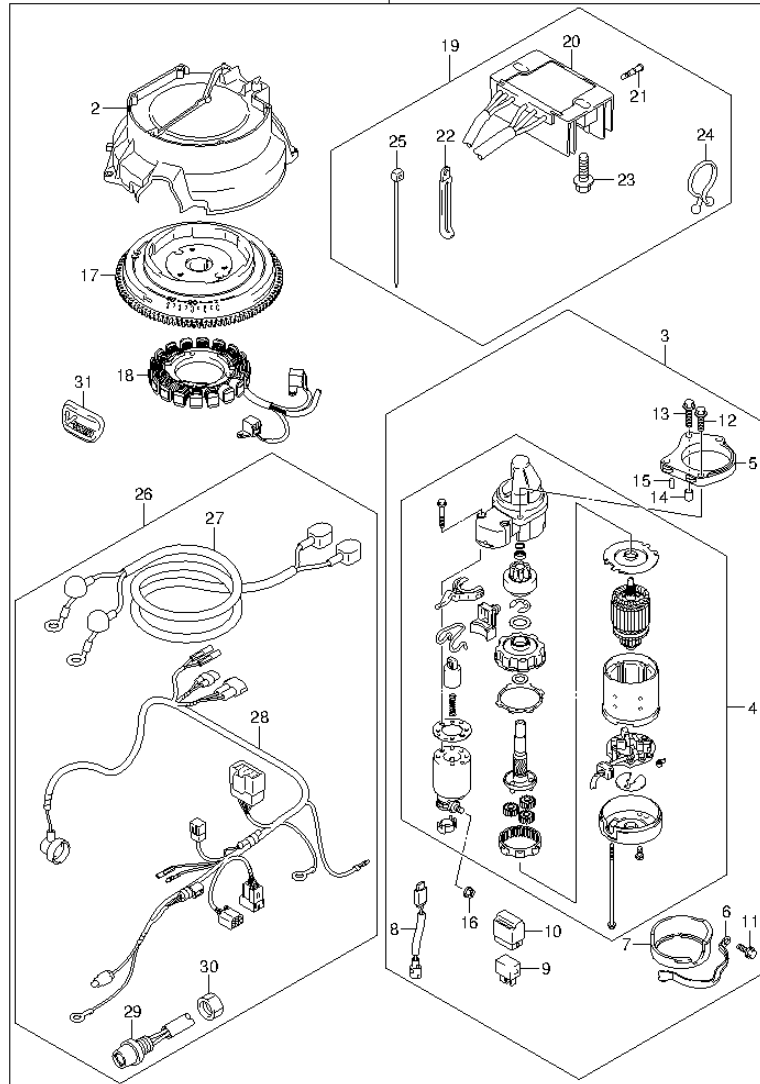


FIG.79 (1-H-12) OPT:HARNESS (DF25R E01)

REF NO.	PART NO.	DESCRIPTION	Q'TY	REMARKS
1	36620-93J10	WIRE ASSY, REMOCON EXTENSION	1	L:2000
2	36620-93J30	WIRE ASSY, REMOCON ADAPTER	1	L:2000

FIG.80



DF25\_E01\_013\_080  
OPT:STARTING MOTOR

FIG.80 (1-H-13) OPT:STARTING MOTOR (MANUAL STARTER) (DF25 E01)

REF NO.	PART NO.	DESCRIPTION	Q'TY	REMARKS
1	31000-95J10	STARTER SET, ELECTRIC	1	
2	11511-95J01	..COVER, MAGNETO	1	
3	31101-95J00	..MOTOR SET, STARTING	1	
4	31100-95J01	..MOTOR ASSY, STARTING	1	
5	31911-95J00	..BRACKET, STARTER MOTOR	1	
6	31912-95J00	..BAND, STARTER MOTOR	1	
7	31918-95J00	..DAMPER, LOWER	1	
8	36645-94J00	..LEAD WIRE	1	
9	38860-76F01	..RELAY ASSY, STARTER MOTOR	1	
10	38915-90J00	..HOLDER, RELAY	1	
11	01550-08207	..BOLT	2	
12	01550-08257	..BOLT	2	
13	01550-08307	..BOLT	2	
14	04211-11129	..PIN	1	
15	04221-06129	..PIN	1	
16	08316-10087	..NUT	1	
17	32102-95J00	..FLYWHEEL	1	
18	32120-95J00	..COIL, STATOR & PULSER	1	
19	32801-95J01	..RECTIFIER & REGULATOR SET	1	
20	32800-95J01	..RECTIFIER & REGULATOR ASSY	1	
21	36615-96300	..TERMINAL, RESIN	2	
22	29404-93J10	..CLAMP, RECT / RGLTR LEAD	1	
23	01550-06257	..BOLT	2	
24	09408-00024	..CLIP (ID:23)	1	
25	09407-10404	..CLAMP (L:100)	1	
26	33800-95J10	..CABLE SET, STARTING WITH SW	1	
27	33810-95J00	..CABLE ASSY, STARTER MOTOR	1	
28	36610-95J01	..HARNES ASSY, WIRING	1	
29	37161-89E13	..SWITCH ASSY, START	1	
30	09159-14032	..NUT	1	
31	61465-95J00	..EMBLEM, ENGINE COVER	1	

DF25\_E01\_013

FIG.81

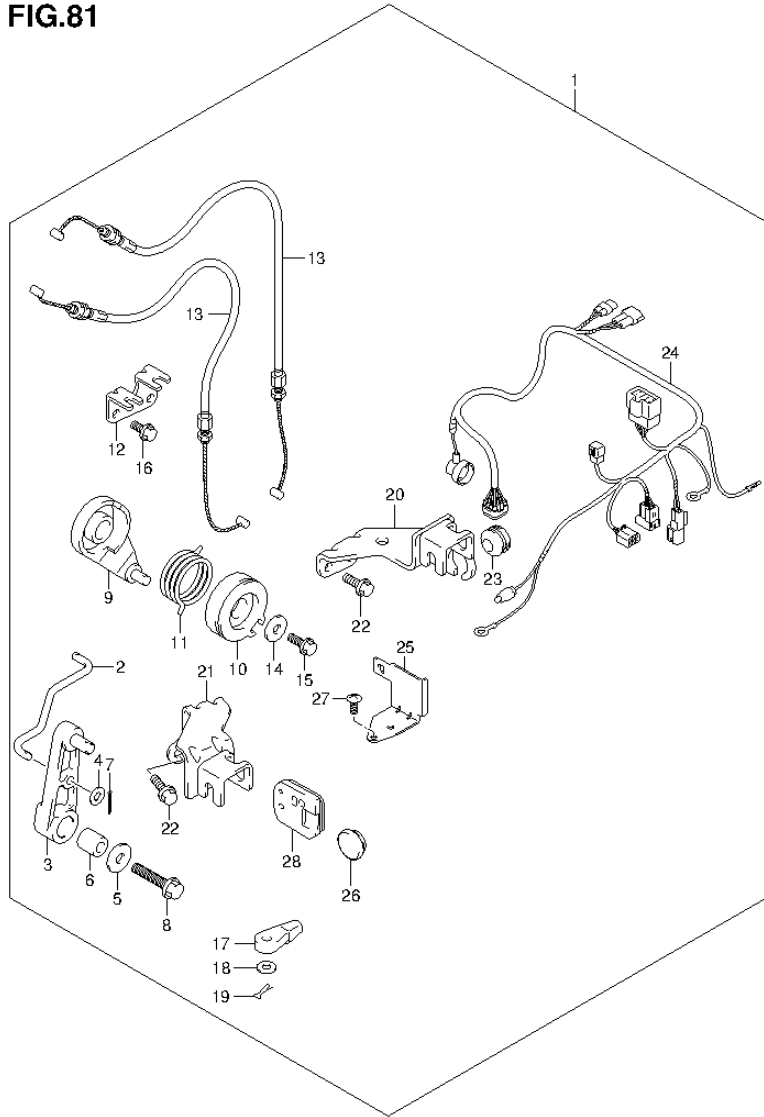


FIG.81 (1-H-14) OPT:REMOCON PARTS SET (DF25 E01)

REF NO.	PART NO.	DESCRIPTION	Q'TY	REMARKS
1	67130-95J02	KIT, REMOCON ATTACHMENT	1	
2	21241-95J00	.LINK, CLUTCH LEVER	1	
3	23210-95J00	.LEVER, CLUTCH CONTROL	1	
4	09160-05029	.WASHER (5.5X12X0.8)	2	
5	09160-06084	.WASHER (6.5X18X1.6)	1	
6	09180-06230	.SPACER (6.2X12.6X12.5)	1	
7	09204-01002	.PIN	2	
8	01550-06257	.BOLT	1	
9	19120-95J00	.LEVER, THROTTLE CONTROL	1	
10	19122-95J00	.LEVER, INTERLINK THROTTLE	1	
11	19185-95J00	.SPRING, THROTTLE LEVER	1	
12	19761-95J00	.STAY, THROTTLE CABLE	1	
13	63610-95J11	.CABLE ASSY, THROTTLE	2	
14	09160-06047	.WASHER (6.5X20X2)	1	
15	01550-06127	.BOLT	1	
16	01550-06167	.BOLT	2	
17	67467-89J01	.CONNECTOR, REMOCON CABLE	2	
18	09160-06055	.WASHER (7X12X1)	2	
19	09385-06012	.CLIP	2	
20	67340-95J01	.HOLDER, REMOCON CABLE	1	
21	67350-95J01	.HOLDER, REMOCON CABLE	1	
22	09116-06236	.BOLT (6X16)	4	
23	09308-08013	.GROMMET	1	
24	36610-95J20	.HARNESS ASSY, WIRING	1	
25	36616-95J00	.HOLDER, CONNECTOR	1	
26	37163-95J00	.PLUG, STARTING SWITCH HOLE	1	
27	02142-06167	.SCREW	1	
28	61124-95J20	.GROMMET, CABLE	1	

FIG.82

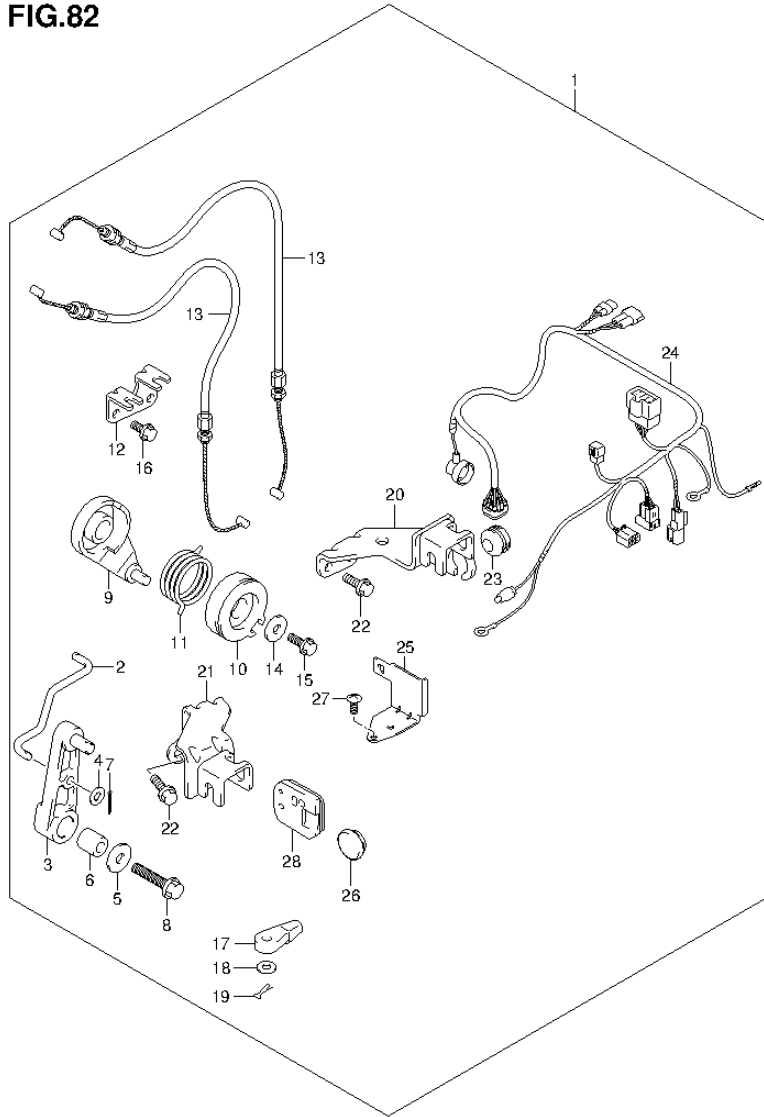


FIG.82 (1-H-15) OPT:REMOCON PARTS SET (DF25Q E01)

REF NO.	PART NO.	DESCRIPTION	Q'TY	REMARKS
1	67130-95J02	KIT, REMOCON ATTACHMENT	1	
2	21241-95J00	.LINK, CLUTCH LEVER	1	
3	23210-95J00	.LEVER, CLUTCH CONTROL	1	
4	09160-05029	.WASHER (5.5X12X0.8)	2	
5	09160-06084	.WASHER (6.5X18X1.6)	1	
6	09180-06230	.SPACER (6.2X12.6X12.5)	1	
7	09204-01002	.PIN	2	
8	01550-06257	.BOLT	1	
9	19120-95J00	.LEVER, THROTTLE CONTROL	1	
10	19122-95J00	.LEVER, INTERLINK THROTTLE	1	
11	19185-95J00	.SPRING, THROTTLE LEVER	1	
12	19761-95J00	.STAY, THROTTLE CABLE	1	
13	63610-95J11	.CABLE ASSY, THROTTLE	2	
14	09160-06047	.WASHER (6.5X20X2)	1	
15	01550-06127	.BOLT	1	
16	01550-06167	.BOLT	2	
17	67467-89J01	.CONNECTOR, REMOCON CABLE	2	
18	09160-06055	.WASHER (7X12X1)	2	
19	09385-06012	.CLIP	2	
20	67340-95J01	.HOLDER, REMOCON CABLE	1	
21	67350-95J01	.HOLDER, REMOCON CABLE	1	
22	09116-06236	.BOLT (6X16)	4	
23	09308-08013	.GROMMET	1	
24	36610-95J20	.HARNESS ASSY, WIRING	1	
25	36616-95J00	.HOLDER, CONNECTOR	1	
26	37163-95J00	.PLUG, STARTING SWITCH HOLE	1	
27	02142-06167	.SCREW	1	
28	61124-95J20	.GROMMET, CABLE	1	



FIG.83

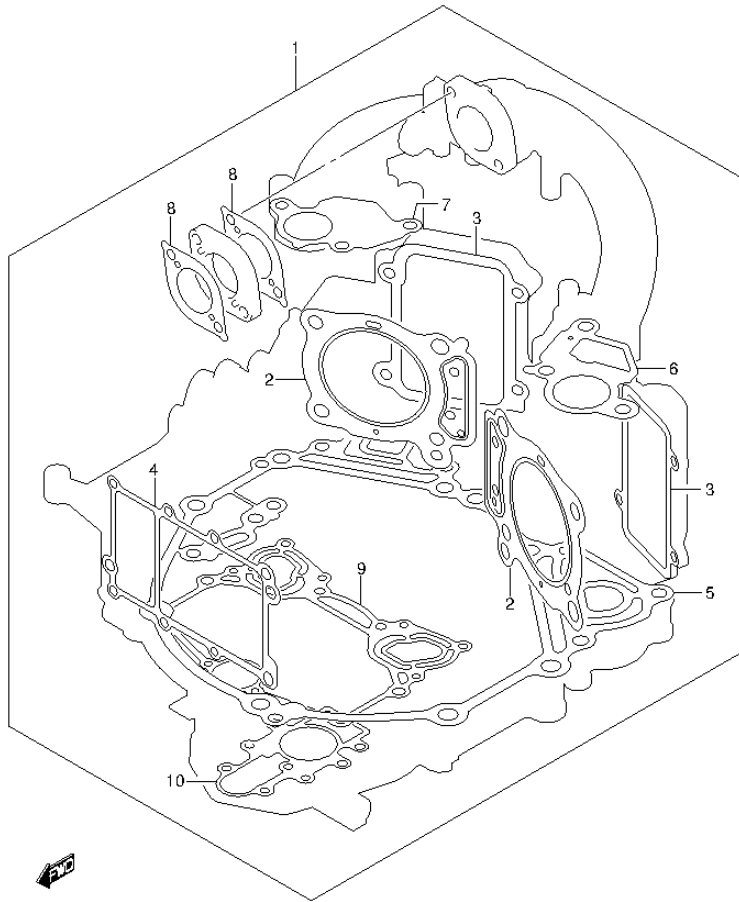


FIG.83 (1-I-2) OPT:GASKET SET

REF NO.	PART NO.	DESCRIPTION	Q'TY	REMARKS
1	11410-95811	GASKET SET	1	
2	11141-95J00	.GASKET, CYLINDER HEAD	2	
3	11189-95J00	.GASKET, CYLINDER HEAD COVER	2	
4	11219-95J01	.GASKET, CYLINDER BLOCK COVER	1	
5	11351-95J01	.GASKET, CRANKCASE	1	
6	13119-95J00	.GASKET, INTAKE MANIFOLD	1	
7	13122-95J00	.GASKET, INTAKE MANIFOLD STBD	1	
8	13125-95J00	.GASKET, CARBURETOR	2	
9	11489-95J01	.GASKET, OIL PAN	1	
10	56132-95J00	.GASKET, DRIVE SFAFT OIL SEAL HOUSING	1	

PART NO.	FIG.NO.-REF.NO.	PART NO.	FIG.NO.-REF.NO.	PART NO.	FIG.NO.-REF.NO.	
10000		12730-95J10	3-9		66-1	
		12735-95J10	3-10	13200-95J30	8-1-2	
		12891-95J00	4-9	13236-95J00	8-2	
			5-9		9-2	
			6-9		10-2	
	11110-95J00	1-1	12894-95J00	4-2		66-2
	11112-53A00	2-13		5-2	13239-94J00	8-5
	11115-93J10-001	1-18		6-2		9-5
	11119-95J01	1-3	12911-95J00	4-10		10-5
	11120-95J00	1-2		5-10		66-5
11141-95J00	1-4		6-10	13240-95J00	8-14-1	
	83-2	12915-95J00	4-11		9-14	
11171-95J00	1-14		5-11		10-14	
11184-95J00	7-5		6-11		66-14	
11189-95J00	1-15	12921-95J00	4-12	13240-95J10	8-14-2	
	83-3		5-12	13247-94J00	8-8	
11218-95J00	2-1		6-12		8-22	
11219-95J01	2-2	12931-78G00	4-13		9-8	
	83-4		5-13		9-22	
11261-93J00	23-1		6-13		10-8	
11261-99E00	1-5	12932-24400	4-14		10-22	
11291-95J00	2-20		5-14		66-8	
11300-95851	2-5		6-14		66-22	
11351-95J01	2-15	12933-51E00	4-15	13250-94J00	8-6	
	83-5		5-15		9-6	
11381-95J00	23-25		6-15		10-6	
11410-95811	83-1	12961-95J00	4-3		66-6	
11452-95J00	1-12		5-3	13251-94J00	8-15	
11489-95J01	23-6		6-3		9-15	
	83-9	12962-88C00	4-4		10-15	
11501-95J02-0EP	23-7		5-4		66-15	
11511-95J01	11-1		6-4	13254-94J00	8-10	
	12-1	12966-95J00	4-5		9-10	
	13-1		5-5		10-10	
	80-2		6-5		66-10	
11540-95J00	23-20	13110-95J01	7-1	13268-94J00	8-13	
11543-95J00	23-21	13119-95J00	7-2		9-13	
12100-95J00-050	3-14		83-6		10-13	
12111-95J00-0B0	3-1	13122-95J00	7-3		66-13	
12140-75F30	3-2		83-7	13279-94J00	8-16	
12140-75F30-050	3-15	13124-95J00	8-38		9-16	
12151-54A50	3-3		9-32		10-16	
12160-95J01-0A0	3-5-1		10-32		66-16	
12160-95J01-0B0	3-5-2	13125-95J00	8-37	13295-14G00	8-28	
12163-69J00	3-6		9-31	13345-94J00	8-20	
12220-95J00-0B0	3-8		10-31		9-20	
12710-95J00	4-1-1		83-8		10-20	
12710-95J10	4-1-2	13200-95J20	8-1-1		66-20	
	5-1		9-1	13346-95J00	8-21-1	
	6-1		10-1		9-21	

PART NO.	FIG.NO.-REF.NO.	PART NO.	FIG.NO.-REF.NO.	PART NO.	FIG.NO.-REF.NO.
					10-12
					16-3
					66-21
					66-12
13346-95J10	8-21-2	13640-95J00	8-44	17461-96312	17-3
13361-94J00	8-23	13684-94J00	8-18		15-4
13362-94J00	8-24		9-18		16-4
13363-94J00	8-25		10-18	17471-95J01	17-4
13364-94J00	8-26		66-18		15-5
13365-94J00	8-27	13710-95J00	11-17		16-5
13367-94J00	8-30		12-3	17472-96303	17-5
	9-24		13-3		15-6
	10-24	13802-94J00	8-11		16-6
	66-24		9-11		17-6
13368-95J00	8-31		10-11	17560-95J00	15-7-1
	9-25		66-11	17560-95J10	16-7-1
	10-25	13811-95J00	11-18		15-7-2
	66-25		12-4		16-7-2
13370-94J00	8-7		13-4	17565-96300	17-7
	9-7	13880-95J00	8-39		15-8
	10-7		9-33		16-8
	66-7		10-33	17566-87D11	17-8
13375-26E00	8-9	13882-95J00	8-40	17566-96302	54-6
	9-9		9-34		15-9
	10-9		10-34		16-9
	66-9	15100-95J03	14-1	17610-95J00-0EP	17-9
13428-95J00	8-29	15131-99E00	14-2	17616-95J00	18-1
	9-23	15192-95J11	14-3	17631-95J00	18-2
	10-23	15193-95J11	14-13		15-10
	66-23	15410-87J30	14-4		16-10
13441-94J00	8-35	15419-87J00	14-5	17632-95J00	17-10
	9-29	15421-95J00	14-7		15-11
	10-29	15422-96J00	14-8		16-11
	66-29	16131-95J00	22-1	17660-99E01	17-11
13493-95J00	8-34	16132-95J00	22-2	17670-94J00	18-3
	9-28	16151-95J00	22-11	17670-94J00	18-4
	10-28	16152-95J00	22-3	17681-95J00	18-5
	66-28	16153-95J00	22-4	17685-95J11	18-6
13494-94J00	8-32	16161-95J00	22-5	17689-95J00	18-7
	9-26	16510-87J00	2-19	17693-95J00	18-8
	10-26	16520-95J00	22-6	17895-95J00	8-42
	66-26	16522-95J01	22-7		9-36
13495-94J00	8-33	17400-95J02	15-19		10-36
	9-27		16-19	17913-93J00	18-9
	10-27		17-19	17914-93J00	18-10
	66-27	17410-95J00	15-1	17917-87L00	18-14
13523-94J00	8-17		16-1	18100-95J01	11-3
	9-17		17-1	18120-96320	11-4
	10-17	17413-95J00	15-2	18130-89J00	11-5
	66-17		16-2	18142-89J00	11-6
13534-94J00	8-12		17-2	18151-96310	11-12
	9-12	17416-95J00	15-3	18191-95J00	11-7
				18193-95J00	11-15

PART NO.	FIG.NO.-REF.NO.	PART NO.	FIG.NO.-REF.NO.	PART NO.	FIG.NO.-REF.NO.
18210-93002	11-8		49-5		
18280-95J00	11-9	23111-95J00	24-3-1		
18290-95J01	11-10		25-3-1		
18293-89J00	11-11	23111-95J10	24-3-2		
18498-90J00	55-33		25-3-2		
	56-30		26-3	31000-95J10	80-1
	57-33	23115-95J00	24-13	31100-95J01	31-1
18498-96J20	14-10		26-13		80-4
18498-99E10	14-9	23131-95J00	24-4	31101-95J00	80-3
18642-95J00	19-7		25-4	31131-94J00	31-2
19120-95J00	20-7		26-4	31135-90J00	31-3
	81-9	23210-95J00	25-13	31151-94J00	31-4
	82-9		81-3	31152-90J00	31-5
19122-95J00	20-8		82-3	31153-90J00	31-6
	81-10	23213-89J01	24-5	31170-94J00	31-19
	82-10		25-5	31171-96J00	31-7
19141-95J00	19-1		26-5	31173-94J00	31-8
	20-1	23214-89J10	24-6	31191-96J00	31-9
	21-1		25-6	31220-94J00	31-10
19184-95J00	19-2		26-6	31310-90J00	31-11
	20-2	23311-95J00	27-1	31320-94J00	31-12
	21-2	25111-95J20	27-2	31341-94J00	31-13
19185-95J00	20-9	25211-95J10	27-3	31343-90J00	31-14
	81-11	25215-95J01	27-4	31344-90J00	31-15
	82-11	25231-96301	27-8	31360-93J01	31-16
19761-95J00	20-10	25232-96302	27-5	31911-95J00	31-25
	81-12	25311-95J00	27-6		80-5
	82-12	25700-95J00	54-20	31912-95J00	31-20
		29103-93J30	23-3		80-6
		29116-93J00	27-12	31913-93J00	31-17
		29116-93J10	51-17	31914-93J00	31-18
			52-17	31918-95J00	31-21
			53-17		80-7
20000		29141-93J00	15-14	32000-95J01	78-1
			16-14	32102-95J00	32-1-1
21111-95J00	24-12		17-14		33-1
	26-12		27-7		34-1
21126-95J01	24-1		44-11		80-17
	25-1		45-11	32102-95J10	32-1-2
	26-1	29404-93J10	41-4-1	32120-95J00	32-2-1
21131-96010	47-43		41-4-2		33-2
	49-25		42-4		34-2
21211-95J01	24-2		43-4		80-18
	25-2		78-5	32120-95J10	32-2-2
	26-2		80-22	32800-95J01	35-1
21241-95J00	25-12	29440-93J00	47-31		36-1
	81-2		48-31		37-1
	82-2				78-3
22511-99011	47-1				80-20
	48-1			32801-95J01	78-2

PART NO.	FIG.NO.-REF.NO.	PART NO.	FIG.NO.-REF.NO.	PART NO.	FIG.NO.-REF.NO.
	80-19		43-2		68-15-5
32890-95J01	35-5		80-28		71-5-5
	36-5	36610-95J10	41-2-2	37141-99E50	68-3-6
	37-5	36610-95J20	42-2		68-15-6
32900-95J00	35-3		81-24		71-5-6
	36-3		82-24	37141-99E60	68-3-7
	37-3	36615-96300	67-7		68-15-7
32980-38F00	35-4		67-17		71-5-7
	36-4		78-4	37141-99E70	68-3-8
	37-4		80-21		68-15-8
33410-95J00	35-10	36616-95J00	42-8		71-5-8
	36-10		81-25	37141-99E80	68-3-9
	37-10		82-25		68-15-9
33510-93E00	35-13	36620-93J10	79-1		71-5-9
	36-13	36620-93J30	79-2	37141-99E90	68-3-10
	37-13	36620-94J01	71-53		68-15-10
33800-95J10	80-26		72-1		71-5-10
33810-95J00	41-1		73-1	37141-99EA0	68-3-11
	42-1	36628-92E00	71-3		68-15-11
	43-1	36634-93910	78-13		71-5-11
	80-27	36645-94J00	31-29	37141-99EB0	68-3-12
33833-91J00	61-24		80-8		68-15-12
	62-23	36740-95J00	78-10		71-5-12
34100-93J20	67-3-1	36890-93J00	69-16	37143-99E00	68-4
34100-93J31	67-3-2		74-23		68-16
34100-93J40	67-3-3	36894-87D00	51-8		71-6
34100-93J51	67-3-4		52-8	37149-93J00	68-5
34190-87D00	67-19		53-8		68-17
34190-95500	67-1	36894-95201	49-6		71-7
34191-92E00	67-5	36990-87D00	78-15	37161-89E13	38-10
34200-93J20	67-16-1	37100-96J00	68-1		40-9
34200-93J31	67-16-2	37100-96J23	68-13		80-29
34300-93J00	67-10-1	37110-93J01	68-2	37163-95J00	39-9
34300-93J11	67-10-2		68-14		81-26
34310-92E00	67-11	37110-94J02	71-4		82-26
34360-92E00	67-12	37139-99E00	68-6	37210-93J00	68-11
34500-93J00	67-14-1	37139-99E20	68-21	37212-93J00	68-12
34500-93J11	67-14-2	37141-99E00	68-3-1	37721-93J90	71-8
34600-93J00	67-8-1		68-15-1	37721-95500	70-11
34600-93J11	67-8-2		71-5-1		75-12
34830-87J20	38-1	37141-99E10	68-3-2	37721-95J01	38-8
	39-1		68-15-2		39-7
	40-1		71-5-2		40-7
36360-89J00	38-3	37141-99E20	68-3-3	37725-95600	38-9
	39-3		68-15-3		39-8
	40-3		71-5-3		40-8
36367-89J00	38-4	37141-99E30	68-3-4	37801-98300	78-11
	39-4		68-15-4	37803-93J03	68-9
	40-4		71-5-4	37820-93J03	68-18
36610-95J01	41-2-1	37141-99E40	68-3-5		71-9

PART NO.	FIG.NO.-REF.NO.	PART NO.	FIG.NO.-REF.NO.	PART NO.	FIG.NO.-REF.NO.
37820-95J00	38-2	41212-91J00	44-5	45231-95J00	47-16
	39-2		45-5		48-16
	40-2	41213-98100	44-6	45241-95J00	47-17
37823-92E01	68-19		45-6		48-17
	71-10	41223-95J01	47-25	45250-95J00	47-18
37825-99E00	68-10		48-25		48-18
37826-92E00	68-20	41225-94502	47-14	45260-89J00	50-1
	71-11		48-14	45261-95J00	47-19
37830-95J02	61-25	41226-97E00	49-13		48-19
	62-24	41230-97E10	49-18	45420-95J01	44-22
37835-95D00	61-27	41270-89J10	49-14		45-22
	62-26	41280-89J04	49-15	45421-89J00	46-4
37850-92E26	74-5	43111-88L61-0EP	49-1	45425-95J00	44-23
37850-93J10	69-4	43111-95J00-0EP	47-2-1		45-23
37859-90J00	71-52		48-2-1	45710-95J01	47-40
38500-93J00	71-13	43111-95J10-0EP	47-2-2		48-33
38500-93J90	68-7		48-2-2	45722-95J00	47-41
	68-23	43112-99E00	23-8		48-34
38860-76F01	31-30	43211-87J00	47-3	45731-96312	49-16
	80-9		48-3	47225-89J00	50-2
38915-90J00	31-31		49-2	47226-89J00	50-3
	80-10	43241-87J00	46-17	47400-95J00	50-4
39600-95J01	78-9	43411-95J00	47-32	48121-89J10	50-5
39601-95D00	78-12	43412-93900	47-27	48321-89J11	50-6
39602-93900	78-14		48-27	48325-89J00	50-7
		43415-95J00	47-33	48326-89J00	50-8
		43417-95J00	47-28		
			48-28		
		43512-95J00	47-34		
		43514-95J00	47-35		
		43514-95J10	47-36		
		43516-89J00	47-37		
		43711-89J10	47-4		
			48-4		
			49-3		
		43721-95J00	47-9	52111-95J00-0EP	51-1-1
			48-9		52-1-1
			49-10	52111-95J10-0EP	51-1-2
		43750-95J21-0EP	47-5-1		52-1-2
			48-5-1		53-1
		43750-95J31-0EP	47-5-2	54112-95J01	23-27
			48-5-2	54120-95J00	23-28
		43750-95J50-0EP	49-4	54130-95J00	23-29
		43755-95J01	48-36	54144-95J00	55-34
			76-3		56-31
			77-3		57-34
		43755-95J10	49-20	54145-95J00	55-35
		43770-95J00	49-21		56-32
		45211-95J00	47-15		57-35
			48-15	54148-95J00-0EP	23-30

40000

50000

PART NO.	FIG.NO.-REF.NO.	PART NO.	FIG.NO.-REF.NO.	PART NO.	FIG.NO.-REF.NO.
54149-95J00-0EP	23-31	56132-95J00	28-8		
54151-95J00	51-9		29-8		
	52-9		30-8		
	53-9		83-10		
54160-95J00	51-10	57110-95J00	28-12-1		
	52-10		29-12-1	61112-95J00	58-2
	53-10	57110-95J10	28-12-2		59-2
54166-95J02	51-11		29-12-2		60-2
	52-11		30-12	61124-95J00	55-30-1
	53-11	57130-96300	51-4	61124-95J10	55-30-2
54167-95J00	51-12		52-4		57-30
	52-12		53-4	61124-95J20	56-27
	53-12	57133-95J00	28-13		81-28
54170-95J00	51-13		29-13		82-28
	52-13		30-13	61134-95J01	55-31
	53-13	57311-96320	28-16		56-28
54211-95J00-0EP	51-14		29-16		57-31
	52-14		30-16	61135-95J00	55-32
	53-14	57510-89J00	28-19		56-29
54221-95J00-0EP	51-15		29-19		57-32
	52-15		30-19	61157-89J00	55-16
	53-15	57521-89J00	28-20		56-13
54240-95J00	51-16		29-20		57-16
	52-16		30-20	61400-95Y53-0EP	58-1-1
	53-16	57610-96311	28-25	61400-95Y63-0EP	58-1-2
55100-95J00-0EP	54-1		29-25		59-1
55114-96310	54-2		30-25		60-1
55125-96310	54-8	57621-89J10	28-26	61412-95J00	55-13
55321-87J00	23-2-1		29-26		56-10
	44-14		30-26		57-13
	45-14	57630-96300	54-19	61433-95J00	58-3
	46-7	57631-95J00	28-31		59-3
	47-12		29-31		60-3
	48-12		30-31	61435-95J42	58-12
	49-22	57632-95J00	54-14		59-12
	50-9	57633-96300	54-15		60-12
	51-6	58100-91L00-019	54-12-3	61443-95J22	58-9
	52-6	58100-91L10-019	54-12-4		59-9
	53-6	58100-95D01-019	54-12-5		60-9
55321-87J10	23-2-2	58100-96371-019	54-12-6	61453-95J22	58-10
55321-95J00	1-6	58100-96411-019	54-12-1		59-10
55332-95J00	28-1	58100-96421-019	54-12-2		60-10
	29-1	58100-96461-019	54-12-10	61458-99E70	58-13
	30-1	58100-96471-019	54-12-7		59-13
56120-96332-0EP	28-2	58100-96481-019	54-12-8		60-13
	29-2	58100-96491-019	54-12-9	61465-95J00	58-8
	30-2	58120-96401	54-13		59-8
56130-95J02-0EP	28-6				60-8
	29-6				80-31
	30-6			61472-93E40	11-21

60000

PART NO.	FIG.NO.-REF.NO.	PART NO.	FIG.NO.-REF.NO.	PART NO.	FIG.NO.-REF.NO.
61493-95J00	12-7	63210-93E30	61-9	67223-99E10	71-19
	13-7		62-9	67224-92E00	70-9
	11-23	63220-96320	61-10	67224-92E50	75-8
	12-9		62-10	67225-92E00	75-25
61494-95J00	13-9	63223-89J00	61-11	67225-92E50	75-9
	11-24		62-11	67226-92E00	70-15
	12-10	63225-93200	61-12	67226-92E10	70-16
61610-95J00	13-10		62-12		75-14
	58-5	63227-93200	61-13	67227-92E00	70-24
	59-5		62-13		75-23
	60-5	63240-97E10	61-14	67228-92E00	70-18
61632-93J00	55-19		62-14		75-17
	56-16	63610-95J01	61-15	67229-95600	71-20
	57-19		62-15	67230-92E00	70-20
61633-95J01	55-20	63610-95J11	20-11		75-19
	56-17		81-13	67231-92E00	70-41
61641-95J00	57-20		82-13		75-40
	55-21	65000-95D01	63-3	67232-92E50	75-43
	56-18	65520-95D00	63-4	67232-95600	70-42
	57-21	65561-95D00	63-5		71-21
61673-95J00	55-22	65700-87J15	63-10		75-41
	56-19	65720-986L0	63-1	67232-95620	70-28
	57-22	65740-95D01	63-6	67233-92E00	70-26
	55-1	65750-87J11	63-11		75-27
61821-95J20-0EP	56-1	65750-95500	63-12	67234-92E00	70-22
	57-1	65770-90J11	63-13		75-21
	55-2	65781-98500	63-14	67235-92E00	70-27
	57-2	65831-95D00	63-7		75-28
61821-95J30-0EP	56-2	65890-95D00	63-8	67236-92E00	70-32
61831-95J01-0EP	55-10	65892-95D00	63-9		75-30
61851-95J01	56-7	67100-95J01	76-2	67237-92E01	70-33
	57-10		77-2		75-31
	55-3	67130-95J02	81-1	67238-87D00	71-22
	57-3		82-1	67238-92E00	70-34
63111-95J00-0EP	61-1	67200-93J13	69-1	67238-92E50	75-32
	62-1		70-1	67239-92E00	70-35
63114-94300	61-2	67200-93J32	74-1		75-33
63115-89J00	62-2		75-1	67239-92E10	70-45
	61-3	67200-94J15	71-1		75-29
63115-96310	62-3	67211-92E50	74-29	67240-92E00	70-17
	61-4	67211-93J00	69-27	67240-92E50	75-16
	62-4	67212-95600	71-14	67241-92E10	70-43
	61-5	67213-92E00	71-15	67241-92E50	75-42
63118-94300	62-5	67220-95630	71-18	67241-99E10	71-23
	61-6	67221-92E00	70-8	67242-92E50	74-13
63121-95J00-0EP	62-6	67221-92E50	75-7	67243-92E00	70-44
	61-7	67222-92E00	70-2	67243-95600	71-24
63122-95J00	62-7	67222-92E50	75-2	67244-95600	71-25
	61-8	67223-92E00	70-3	67245-92E00	70-23
63131-95J00-0EP	62-8	67223-92E50	75-6		75-22

PART NO.	FIG.NO.-REF.NO.	PART NO.	FIG.NO.-REF.NO.	PART NO.	FIG.NO.-REF.NO.
67245-95600	71-26	67288-92E00	70-4	67320-93J10	71-55-2
	67246-92E00		71-41	67320-93J20	71-55-3
	67246-92E50	67288-92E10	70-6	67320-93J30	71-55-4
	67251-92E50		74-9	67320-93J40	71-55-5
67251-93J00	69-12	67288-92E20	69-7	67320-93J50	71-55-6
	67251-99E10		71-27	67320-93J60	71-55-7
	67252-92E00	67288-92E30	69-14	67320-93J70	71-55-8
67252-92E10	70-39	67288-92E40	69-10	67320-93J80	71-55-9
	75-38	67288-92E60	74-6	67340-95J01	64-4
	67252-95600	67288-92E70	74-16		81-20
	67253-92E00	67291-92E00	70-7		82-20
67253-92E10	70-38		75-5	67350-95J01	64-5
	75-37	67291-92E10	70-37		81-21
	70-40		75-36		82-21
	67253-95600	67292-94300	70-5	67467-89J01	64-1
67254-92E50	71-29		71-42		81-17
	74-22		75-3		82-17
	67255-92E50	67294-92E00	70-10	67500-93J00	69-29
	67255-99E00		75-11	67700-95J01	76-1
67256-92E50	74-11	67294-95600	71-43		77-1
	67256-95600	67295-92E00	69-8	67701-95J00	65-2
	67257-92E00	67295-92E10	69-5		76-6
			74-4		77-6
67257-99E00	71-32	67295-92E50	74-18	67721-89J00	65-3
	67258-99E00	67296-88D10	69-6		76-7
	67259-87D00		70-13		77-7
	67261-92E50		70-30	67725-96J00	65-4
67261-93J00	69-2		74-15		76-8
	67261-99E00		75-24		77-8
	67263-93J00	67296-88D20	74-17	67726-99E00	65-5
	67264-95600	67296-88D30	74-21		76-9
67267-93J00	71-38	67296-90J00	71-44		77-9
	67269-92E00	67296-92E10	70-12	67728-99E00	65-6
	67271-92E00		71-17		76-10
	67273-92E00		75-13		77-10
67273-95600	69-22	67296-92E20	70-14	68110-88L00	58-14
	71-39		75-15		59-14
	74-25	67296-92E30	69-18		60-14
	69-24	67296-92E60	69-13	68111-18G20	58-11
67274-92E50	74-28	67296-92E70	69-9		59-11
	69-21		69-28		60-11
	71-40	67296-94300	71-45	68165-16B00-13L	71-12
	74-24	67296-94310	71-36	69711-93E10	11-22
67281-93J00	69-17		74-3		12-8
	67283-92E50	67296-95600	71-46		13-8
67284-92E50	74-27	67296-95610	69-25	69714-95J00	61-28
	67286-92E00		71-47		62-27
67287-92E00	75-18	67297-95600	71-48		
	69-20	67298-92E50	74-2		
67287-92E50	74-19	67320-93J00	71-55-1		

PART NO.	FIG.NO.-REF.NO.	PART NO.	FIG.NO.-REF.NO.	PART NO.	FIG.NO.-REF.NO.	
90000		01550-0616A	82-16	03542-05209	58-4	
		01550-06207	22-10		59-4	
			1-9		60-4	
		01550-06257	18-12	03542-05359	11-20	
			14-20		12-6	
99000-81159-50M	11-14		18-13		13-6	
99011-95J20-056	58-16		25-16	03542-06209	55-29	
	59-16		32-3		56-26	
	60-16		33-3		57-29	
			34-3	04211-11129	31-27	
			35-2		80-14	
00000			36-2	04211-13149	23-18	
			37-2	04211-13189	1-10	
			78-6	04221-03059	3-7	
			80-23	04221-06129	2-4	
	01547-0612A	4-8		81-8	31-28	
		5-8		82-8	80-15	
		6-8	01550-06357	19-6	04221-08149	2-18
	01547-06207	2-3		20-6	08110-62080	2-10
	01550-06127	1-16		21-6	08113-60060	28-5
		14-19	01550-08127	38-12		29-5
	20-12	01550-08207	31-23		30-5	
	24-10		80-11	08211-15203	28-18-4	
	24-11		11-2		29-18-4	
	25-10		11-16		30-18-4	
	25-11		12-2	08211-15204	28-18-6	
	26-10		13-2		29-18-6	
	26-11		31-24		30-18-6	
	35-9		80-12	08221-30404	28-22-1	
	36-9	01550-08307	31-26		29-22-1	
	37-9		80-13		30-22-1	
	41-7-1	01550-08407	7-4	08313-20087	23-19	
	41-7-2	01570-06167	11-13	08316-10087	31-22	
	42-7	02112-0612A	1-13		80-16	
	43-7	02142-05127	55-14	08316-1008A	3-13	
01550-06167			56-11	09100-06113	50-10	
			57-14	09100-06165	44-10	
			42-9		45-10	
			81-27	09100-08227	47-29	
			82-27		48-29	
		10-37	03112-06303	67-2	09100-08232	71-2
		19-5	03121-0516A	68-22	09100-10220	61-16
		19-8	03142-04259	15-17	09100-10270	48-37
		20-5		16-17		76-4
		20-14		17-17		77-4
	21-5	03542-05129	55-5	09100-10309	44-18	
	35-11		57-5		45-18	
	36-11	03542-05169	11-19	09100-12093	46-9	
	37-11		12-5	09103-06092	55-23	
	81-16		13-5		56-20	

PART NO.	FIG.NO.-REF.NO.	PART NO.	FIG.NO.-REF.NO.	PART NO.	FIG.NO.-REF.NO.
			57-23	09116-08122	54-5
09103-06093	18-11		23-22	09116-08126	23-9
09103-06196	23-22		8-36	09116-08128	2-17
09103-06228	9-30		10-30	09116-08131	23-32
			9-30	09116-08137	47-38
			63-2		54-9
09103-06237	23-4		44-15		55-11
09103-06281	45-15		46-8		56-8
			47-13	09116-10137	57-11
			48-13	09116-10143	61-17
			49-23		62-17
			50-12		23-10
			51-7		2-16
			52-7		51-2
			53-7		52-2
09103-16005	32-5		33-5		53-2
	34-5		34-5		52-2
	32-4		32-4		53-2
09106-05030	33-4		34-4		62-16
	34-4		47-26		50-11
	47-42		47-42		75-26
	48-26		48-26		74-7
	48-35		48-35		61-18
09108-06125	4-6		5-6		62-18
	5-6		6-6		70-21
	15-12		16-12		71-16
09108-06146	16-12		17-12		75-20
	17-12		2-6		49-7
	2-6		24-14		09125-05050
09108-08281	26-14		26-14		09125-05135
09111-06069	28-10		28-10		09125-06063
	29-10		29-10		51-5
	30-10		30-10		51-18
	15-13		16-13		52-5
09116-06236	16-13		17-13		52-18
	28-9		28-9		53-5
	29-9		29-9		53-18
	30-9		30-9		71-49
	49-17		49-17		09126-05003
	64-6		64-6		09126-05011
	81-22		81-22		09126-06006
	82-22		82-22		09126-06015
					1-7
					70-25
					61-19
					62-19
					55-7
					56-4
					57-7
					55-8
					56-5
					57-8
					69-32
					50-13
					58-6
					59-6
					60-6
					70-31
					71-50
					75-10
					4-7
					5-7
					6-7
					54-16
					28-17
					29-17
					30-17
					47-39
					23-33
					44-19
					45-19
					46-14
					46-10
					51-19
					52-19
					53-19
					8-45
					38-11
					40-10
					80-30
					44-8
					45-8
					46-11
					55-4
					57-4
					69-19
					24-7
					25-7
					26-7
					69-31
					81-4
					82-4
					19-3
					20-3
					20-13
					21-3
					81-14
					82-14
					35-6
					36-6
					37-6
					64-2
					81-18
					82-18
					15-15
					16-15
					17-15
					24-15

PART NO.	FIG.NO.-REF.NO.	PART NO.	FIG.NO.-REF.NO.	PART NO.	FIG.NO.-REF.NO.
	26-15	09160-15033	28-18-5	09164-32005	61-22
	44-12		29-18-5		62-21
	45-12		30-18-5	09166-17005	28-14
	47-20	09160-16046	32-6		29-14
	48-20		33-6		30-14
09160-06084	25-14		34-6	09168-10022	54-11
	81-5	09160-20068	28-21-1	09168-12011	23-11
	82-5		29-21-1	09168-12012	23-12
09160-06094	58-7		30-21-1	09168-12017	23-13
	59-7	09160-20069	28-21-2	09168-16002	22-8
	60-7		29-21-2	09180-06186	19-4
09160-06104	71-51		30-21-2		20-4
	74-20	09160-20070	28-21-3		21-4
09160-06160	55-24		29-21-3	09180-06230	25-15
	56-21		30-21-3		81-6
	57-24	09160-20071	28-21-4		82-6
09160-08082	24-16		29-21-4	09180-06342	44-13
	26-16		30-21-4		45-13
09160-08091	47-30	09160-20072	28-21-5	09180-06353	8-41
	48-30		29-21-5		9-35
09160-08122	3-11		30-21-5		10-35
09160-10082	46-15	09160-20073	28-21-6	09181-16008	28-23
09160-10098	61-20		29-21-6		29-23
09160-10139	44-20		30-21-6		30-23
	45-20	09160-25032	28-24-4	09181-25190	28-24-1
09160-10140	23-34		29-24-4		29-24-1
	44-21		30-24-4		30-24-1
	45-21	09160-25033	28-24-5	09181-25248	28-24-2
09160-12044	46-12		29-24-5		29-24-2
09160-12066	46-5		30-24-5		30-24-2
09160-12067	3-12	09160-25034	28-24-6	09181-25251	28-24-3
	61-26		29-24-6		29-24-3
	62-25		30-24-6		30-24-3
09160-12110	46-13	09160-25035	28-24-7	09181-25268	28-24-8
	51-20		29-24-7		29-24-8
	52-20		30-24-7		30-24-8
	53-20	09160-39001	47-8	09181-30158	28-22-2
09160-13008	55-25		48-8		29-22-2
	56-22	09160-39002	49-11		30-22-2
	57-25	09160-39003	49-8	09181-30162	28-22-3
09160-14028	54-17	09162-10005	48-38		29-22-3
09160-15030	28-18-1		76-5		30-22-3
	29-18-1		77-5	09181-30167	28-22-4
	30-18-1	09163-06001	61-21		29-22-4
09160-15031	28-18-2		62-20		30-22-4
	29-18-2	09164-08017	24-17	09181-39001	47-6
	30-18-2		26-17		48-6
09160-15032	28-18-3	09164-14008	55-26	09200-06069	47-21
	29-18-3		56-23		48-21
	30-18-3		57-26	09200-06070	47-22

PART NO.	FIG.NO.-REF.NO.	PART NO.	FIG.NO.-REF.NO.	PART NO.	FIG.NO.-REF.NO.
	48-22	09280-22019	23-5		49-12
09202-04022	55-27	09280-26005	14-11	09381-17005	3-4
	56-24	09280-75002	28-11	09383-04002	24-9
	57-27		29-11		25-9
09202-05021	28-27		30-11		26-9
	29-27	09282-15008	23-17	09385-06012	64-3
	30-27	09282-17006	28-7		81-19
09202-06023	51-3		29-7		82-19
	52-3		30-7	09401-05402-XC0	8-19
	53-3	09282-39001	47-7		9-19
	54-7		48-7		10-19
09202-08006	55-12		49-9		66-19
	56-9	09283-34014	2-11	09401-08413	55-17
	57-12	09283-38025	2-12		56-14
09204-01002	24-8	09289-05012	4-16		57-17
	25-8		5-16	09401-10412	14-15
	26-8		6-16	09401-11423	14-6
	47-23	09289-20009	28-4		14-14
	48-23		29-4	09401-12412	14-16
	81-7		30-4	09401-14409	7-6
	82-7	09306-13007	55-28	09401-18411	22-9
09204-03003	54-18		56-25	09403-09316	35-12
09205-02004	27-9		57-28		36-12
09205-03012	49-19	09306-22006	47-24		37-12
09205-06007	44-7		48-24	09403-12308	38-5
	45-7	09308-08013	64-7		39-5
09209-08016	28-28		81-23		40-5
	29-28		82-23	09403-13408	41-6
	30-28	09308-12012	55-15		42-6
09246-05006	2-7		56-12		43-6
09248-10008	54-10		57-15	09403-14315	41-3
09248-12007	23-14	09320-05016	55-6		42-3
	23-15		56-3		43-3
09248-12009	23-16		57-6	09407-08401	68-8
09250-08010	48-32	09320-08062	15-18		68-24
09262-25145	2-8		16-18	09407-10404	38-6
09262-35067	2-9		17-18		39-6
09263-20046	54-3	09320-12011	35-7		78-8
09263-20047	28-3		36-7		80-25
	29-3		37-7	09407-14407	23-24
	30-3	09320-13024	55-18		67-6
09265-17002	28-15		56-15	09408-00012	38-7
	29-15		57-18		40-6
	30-15	09321-06013	35-8	09408-00024	38-13
09265-25015	54-4		36-8		39-10
09280-08005	27-10		37-8		40-11
09280-10013	1-8	09343-70503-00B	14-12		78-7
09280-15003	23-23	09380-12002	50-14		80-24
09280-15007	27-11	09380-38003	47-10	09408-00069	14-17
09280-16013	23-26		48-10	09408-00105	14-18





## SUZUKI **DF25** PARTS CATALOGUE

---

SUZUKI MOTOR CORPORATION All rights reserved

No part of this document may be reproduced or transmitted in any form or by any means, electronic or mechanical, for any purpose, without the express written permission of Suzuki Motor Corporation.

SUZUKI MOTOR CORPORATION

Technical Readiness Group, Quality Administration Department  
300 Takatsuka, Minami, Hamamatsu, Japan

---

Reprint Prohibited

**SUZUKI MOTOR CORPORATION**