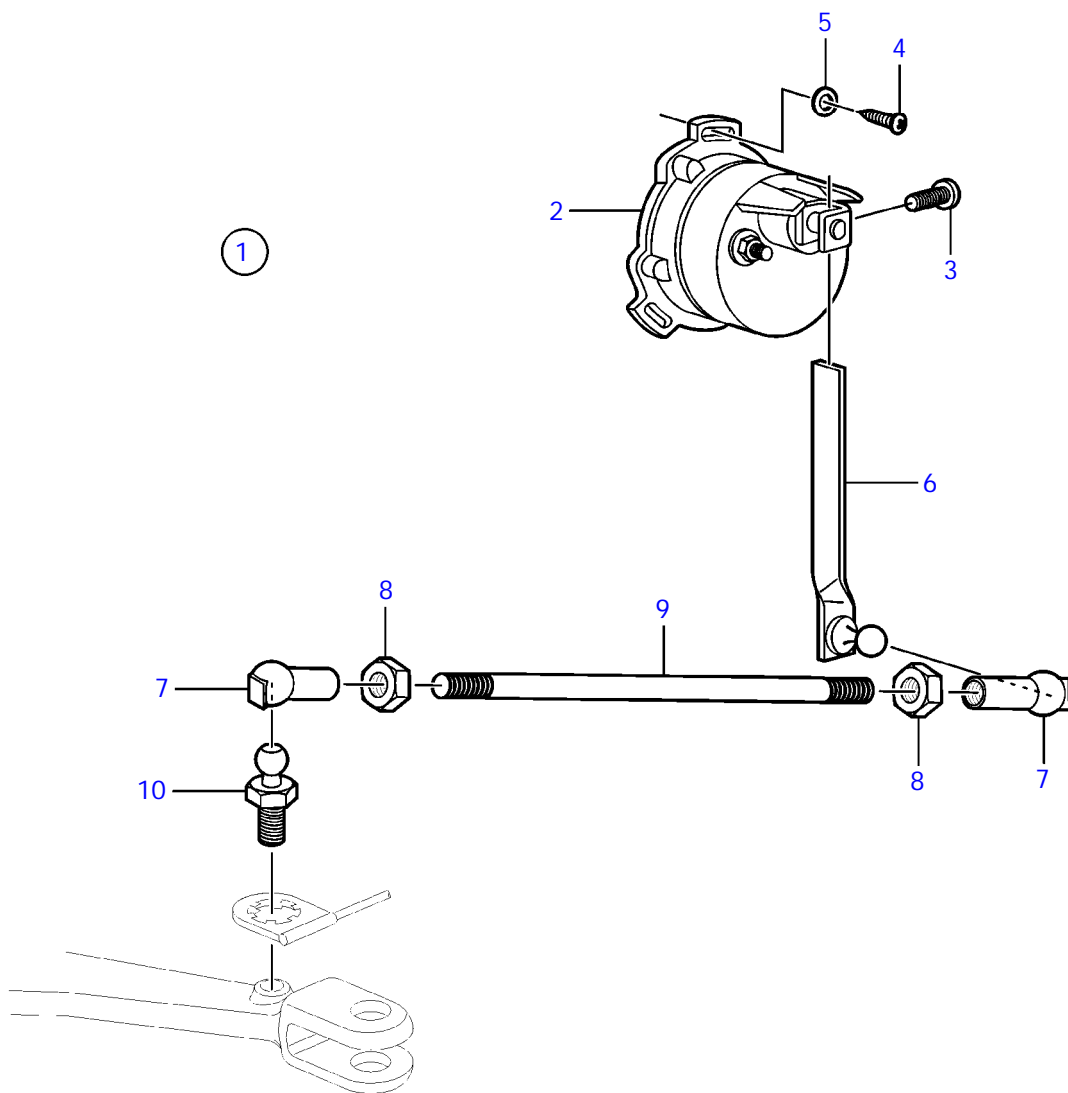
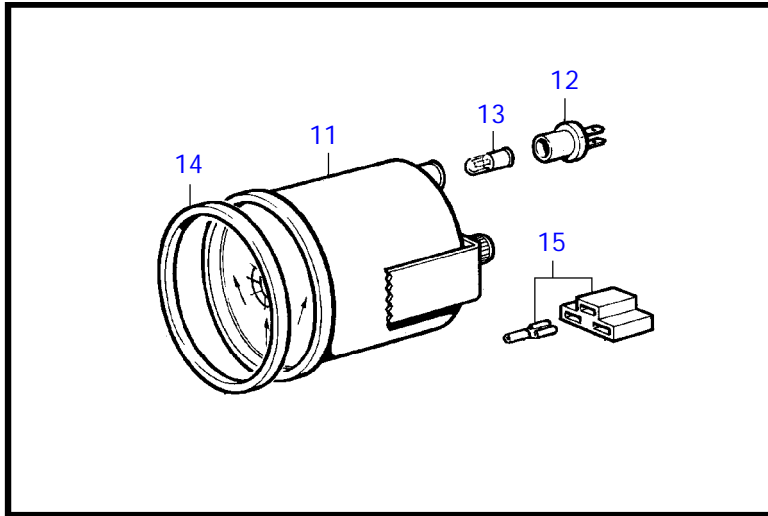


SX-A, SX-A, SX-AAC, SX-AAC, SX-AACLT32, SX-AACLT32, SX-AACLT42, SX-AACLT42, SX-ALT32, SX-ALT32, SX-ALT42, SX-ALT42



24824

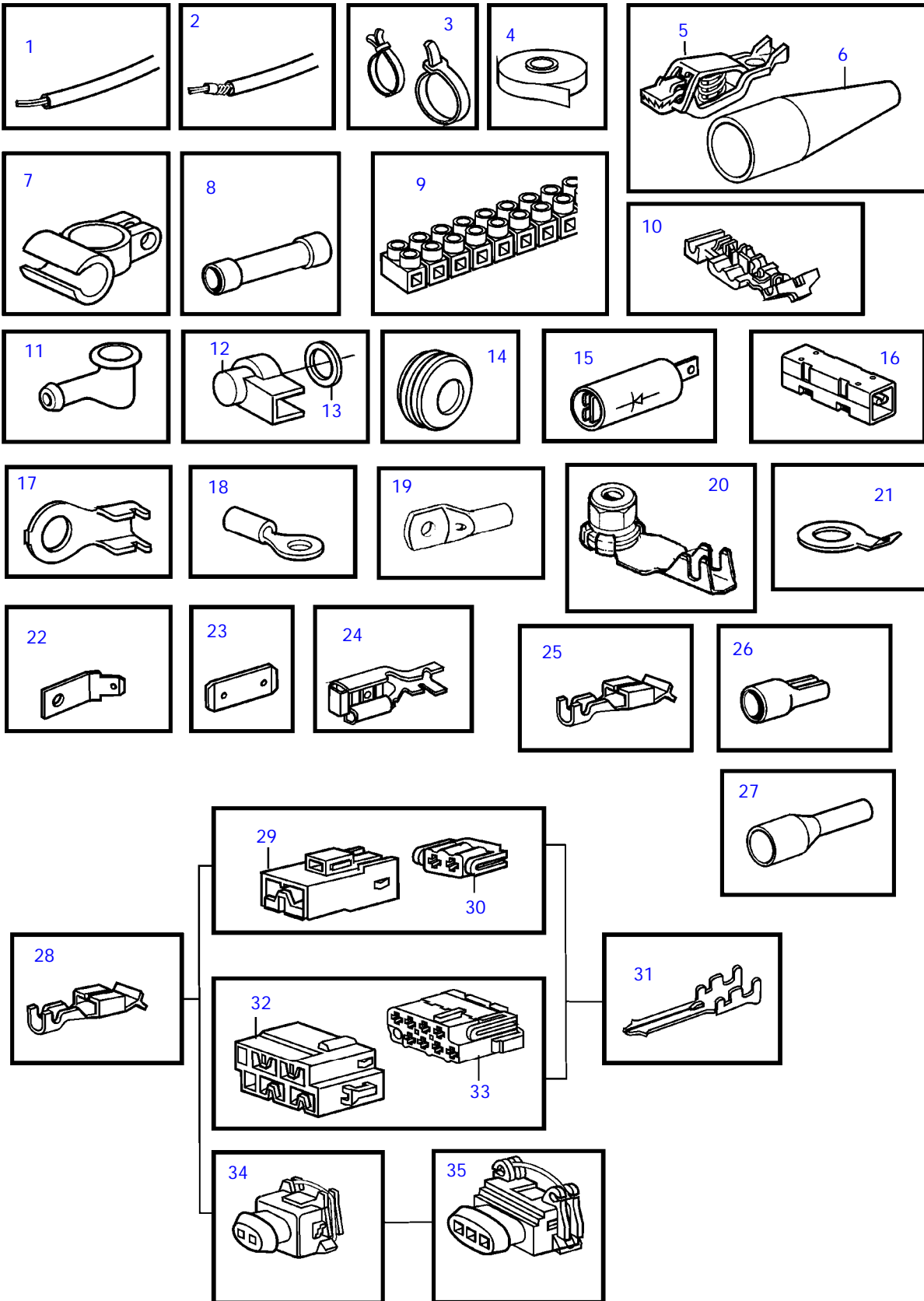
SX-A, SX-A, SX-AAC, SX-AAC, SX-AACLT32, SX-AACLT32, SX-AACLT42, SX-AACLT42, SX-ALT32, SX-ALT32, SX-ALT42, SX-ALT42

REF	PART NO.	QTY	DESCRIPTION	NOTES
1	21323189	1	Sensor	
2	837772	1	• Position sensor	
3		1	• • Screw	Not sold separately
		2	• • Nut	Not sold separately
		2	• • Lock washer	Not sold separately
4	955132	3	• Cross recessed screw	
5	955891	3	• Washer	
6	3863388	1	• Arm	
7	946704	1	• Ball socket	Left hand threads
	946703	1	• Ball socket	Right hand threads
8	942836	1	• Hexagon nut	Left hand threads
	955780	1	• Hexagon nut	Right hand threads
9	943549	1	• Control rod	
10	21319346	1	• Ball stud	
11	863944	1	Rudder indicator	
	873207	1	• Brace kit	
		2	• • Nut	
		2	• Spacer	
12	863945	1	• Lamp socket	
13	863946	1	• Bulb	
14	858643	1	Front ring	
15		X	Connector	

DPS-A OXi

REF	PART NO.	QTY	DESCRIPTION	NOTES
1	21174634	1	Sensor	WID- water in drive oil
2		1	• O-ring	Not sold separately
3	21124251	1	Wiring harness	
4		1	• Plug	Not sold separately
5		1	• Grommet	Not sold separately
6		1	• Connector housing	
		1	• • Seal	Not sold separately
7		3	• Terminal	Not sold separately
8		1	• Boot	Not sold separately
9	3852555	1	Retainer	
10	21174636	6	Attaching clamp	
11	21206915	1	Module	
12	21206919	1	Wiring harness	
		3	• Connector housing	Not sold separately
		X	• Terminal	Not sold separately
13	21210873	1	Bracket	
14	946544	2	Flange screw	
15		X	Cable harness, engine	
16	21292836	1	Sensor	WIB - water in bellows
		1	• Housing	Not sold separately
17		2	• Terminal	Not sold separately
18	3852033	1	• O-ring	
19		1	Connector housing	
20		X		See engine catalog, "Engine Harness" section

SX-A, DPS-A, DPS-A OXi



18567

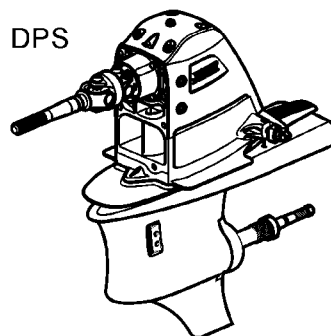
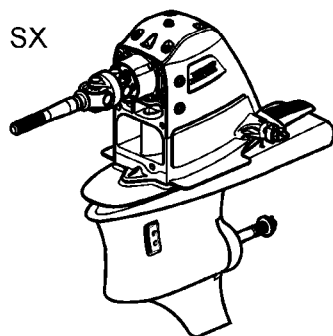
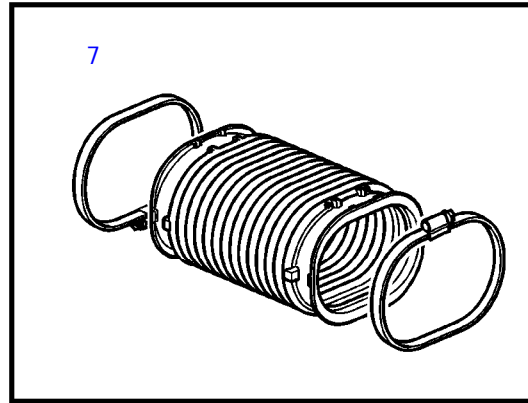
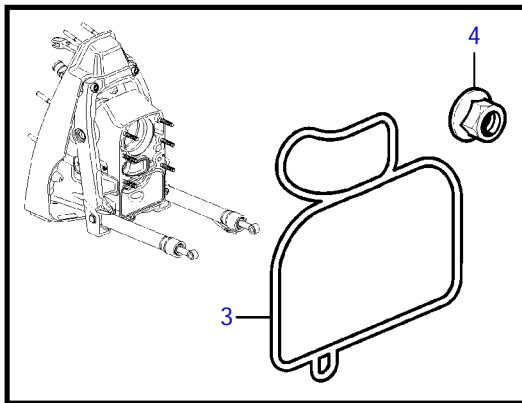
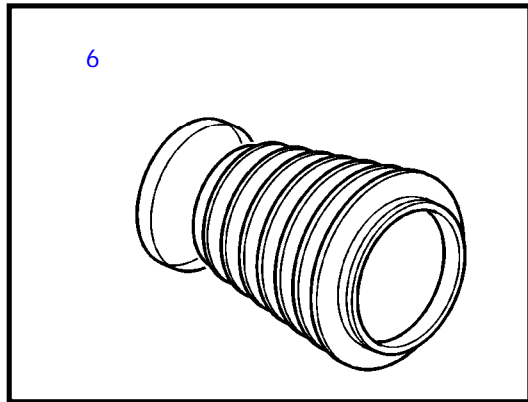
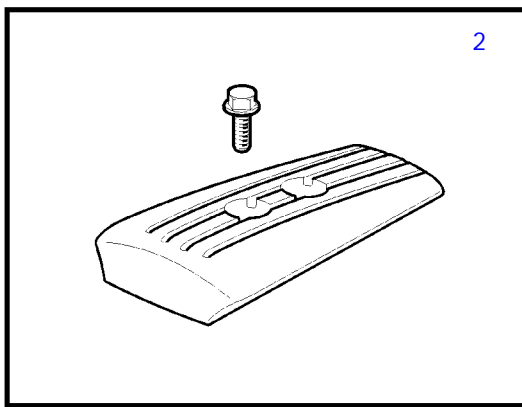
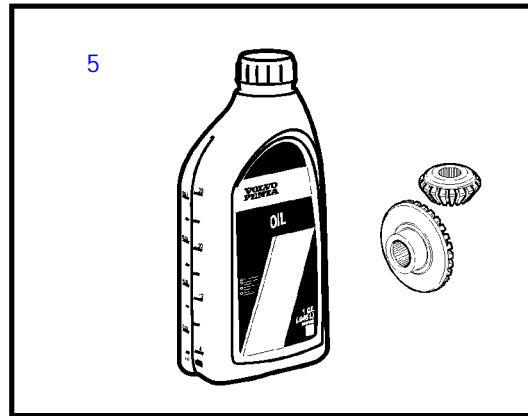
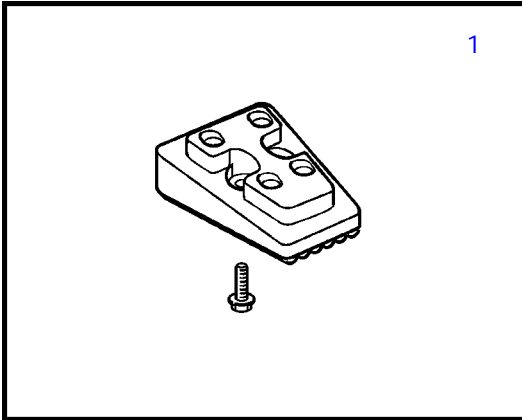
SX-A, DPS-A, DPS-A OXi

REF	PART NO.	DESCRIPTION	NOTES
1	970624	Electric cable, type RK	1,5mm ² , black
	970626	Electric cable, type RK	1,5mm ² , red
	970661	Electric cable, type R2	1,5mm ² , red
	(970663)	Electric cable, type R2	Obsolete part, 2,5mm ² , black
	970698	Electric cable, type R2	2,5mm ² , red
	970700	Electric cable, type RK	4,0mm ² , black
	(970709)	Electric cable, type RK	Obsolete part, 6,0mm ² , black
	970711	Electric cable, type R2	6,0mm ² , red
	954485	Electric cable, type RK	16,0mm ² , red
	(954500)	Electric cable, type RK	Obsolete part, 25,0mm ² , red
	954502	Electric cable, type RK	35,0mm ² , red
2	874854	Power cable	Non reinforced ship cable approved by classification societies., 2x1,5mm ²
	(863657)	Cable	Obsolete part, Reinforced ship cable approved by classification societies., 4,0mm ² , red
	874855	Power cable	Non reinforced ship cable approved by classification societies., 2x2,5mm ²
	(842092)	Cable	Obsolete part, Non reinforced ship cable approved by classification societies., 3x1,5mm ²
	(874858)	Power cable	Obsolete part, Non reinforced ship cable approved by classification societies., 6,0mm ² , black
	(842090)	Cable	Obsolete part, Non reinforced ship cable approved by classification societies., 16,0mm ² , red
	874861	Power cable	Non reinforced ship cable approved by classification societies., 25,0mm ² , red
	874862	Power cable	Non reinforced ship cable approved by classification societies., 35,0mm ² , red
	846639	Electric cable	Non reinforced ship cable approved by classification societies., 2x1,5mm ²
	874870	Power cable	Non reinforced ship cable approved by classification societies., 2x1,5mm ²
	872679	Wiring harness	(846346)
	872939	Adapter	(846346)
	(874346)	Electric cable	Obsolete part, Reinforced ship cable approved by classification societies., RFOU 0,6/1kv
3	948211	Cable tie	3x1,5mm ²
	949666	Cable tie, with mount. Hole	3x4,0mm ²
	948616	Cable tie	3x6,0mm ²
	862832	Cable tie, steel	4x1,5mm ²
4	858283	Tape	4x2,5mm ²
5	844280	Clip, battery cable +pole	16x1,5mm ²
6	(844278)	Isolation	Obsolete part, Red
	(844279)	Isolation	Obsolete part, Black
7	954505	Cable terminal, battery cable -pole	D=77mm L=280mm
	954506	Cable terminal, battery cable +pole	D=42mm L=170mm
8	956956	Splice	D=102mm L=362mm
	956958	Splice	1,5-2,5mm ² , blue
	956960	Splice	L=61mm
9	926219	Coupling piece	Black
10	944306	Connector	Blue
11	829200	Protective cap	0,5-1,0mm ² , red
12	1234326	Protecting casing	1,5-2,5mm ² , blue
13	960140	Washer	3-6mm ² , yellow
14	941269	Plug	Max 20mm ² , 12-pole
	821053	Protecting bushing	I.D=35mm
	943920	Plug	I.D=40mm
15		Diode	
16		Diode	
17	970788	Cable terminal	M5x1,1-2,5mm ²
	970789	Cable terminal	M6x1,1-2,5mm ²
	(970791)	Cable terminal	Obsolete part, M10x1,1-2,5mm ²
18	881492	Cable terminal	M4x1,1-2,5mm ²
	881493	Cable terminal	M5x1,1-2,5mm ²
	881508	Cable terminal	M6x1,1-2,5mm ²
	881494	Cable terminal	M8x1,1-2,5mm ²
	881504	Cable terminal	M10x1,1-2,5mm ²

SX-A, DPS-A, DPS-A OXi

REF	PART NO.	DESCRIPTION	NOTES
	881506	Cable terminal	M4x2,6-6,0mm ²
	881495	Cable terminal	M5x2,6-6,0mm ²
	881496	Cable terminal	M6x2,6-6,0mm ²
	881497	Cable terminal	M8x2,6-6,0mm ²
	881498	Cable terminal	M10x2,6-6,0mm ²
	940331	Cable terminal	M5x6,1-10,0mm ²
	940332	Cable terminal	M6x6,1-10,0mm ²
	940333	Cable terminal	M8x6,1-10,0mm ²
	(940334)	Cable terminal	Obsolete part, M10x6,1-10,0mm ²
	881512	Cable terminal	M5x10,1-16,0mm ²
	940335	Cable terminal	M6x10,1-16,0mm ²
	940336	Cable terminal	M8x10,1-16,0mm ²
	940337	Cable terminal	M10x10,1-16,0mm ²
19	949587	Cable terminal	M10x10mm ²
20	8140576	Nut	M4
21	865758	Cable terminal	I.D=12,5 D=23mm
22	944485	Cable terminal	6,3xM5x180
23	839328	Tab	16,3x6,3x0,8
24	881491	Cable terminal	6,3x0,75-2,1mm ²
25	853015	Cable terminal	For trim instrument., For 853866, Yasaki
26	942429	Cable terminal	For 853866, Yasaki
27	3829867	Cable terminal	
	3829868	Cable terminal	
28	970777	Cable terminal	
29	968377	Housing	2,8x2 natural
	968379	Housing	2,8x2 gray
30	968376	Housing	4,8/2,8x2 natural
	968378	Housing	4,8/2,8x2 gray
31	974313	Cable terminal	2,8x0,8x1,1-2,5mm ²
32	968401	Housing	2,8x8 natural
33	968400	Housing	4,8/2,8x8 natural
34	976256	Housing	2-pole
35	967713	Housing	3-pole

SX-A, DPS-A, DPS-A OXi

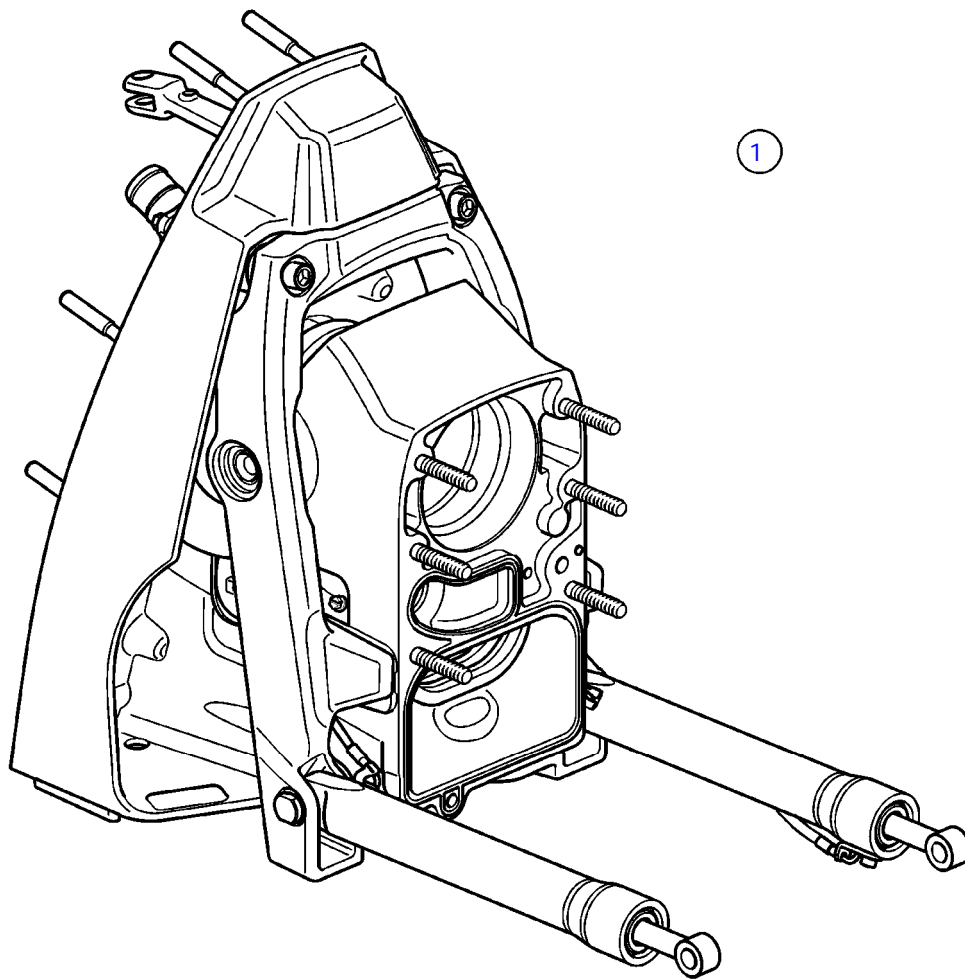


25153

SX-A, DPS-A, DPS-A OXi

REF	PART NO.	QTY	DESCRIPTION	NOTES
1	3888816	1	Anode kit, aluminum	
	3888817	1	Anode kit, zinc	
	3888818	1	Anode kit, magnesium	
2	3888813	1	Anode kit, aluminum	
	3888814	1	Anode kit, zinc	
	3888815	1	Anode kit, magnesium	
3	3889788	1	Gasket	
4	3853329	6	Nut	
5		X	Transmission oil	Fill level is determined by dipstick
		X	Transmission oil	USA
	1141679	3	Transmission oil	12x1 qt
	1141680	1	Transmission oil	4x1 gal
	1141681	1	Transmission oil	5 gal
		X	Transmission oil	Europe and other markets
	3809443	3	Transmission oil	1L
	1161995	1	Oil	5L
	3809441	1	Transmission oil	20L
6	3841481	1	Bellows kit, u-joint	
	853012	1	• Hose clamp	
7	3888916	1	Kit, exhaust	
	3852604	2	• Hose clamp	

SX-A, SX-A, SX-AAC, SX-AAC, SX-AACLT32, SX-AACLT32, SX-AACLT42, SX-AACLT42, SX-ALT32, SX-ALT32, SX-ALT42, SX-ALT42

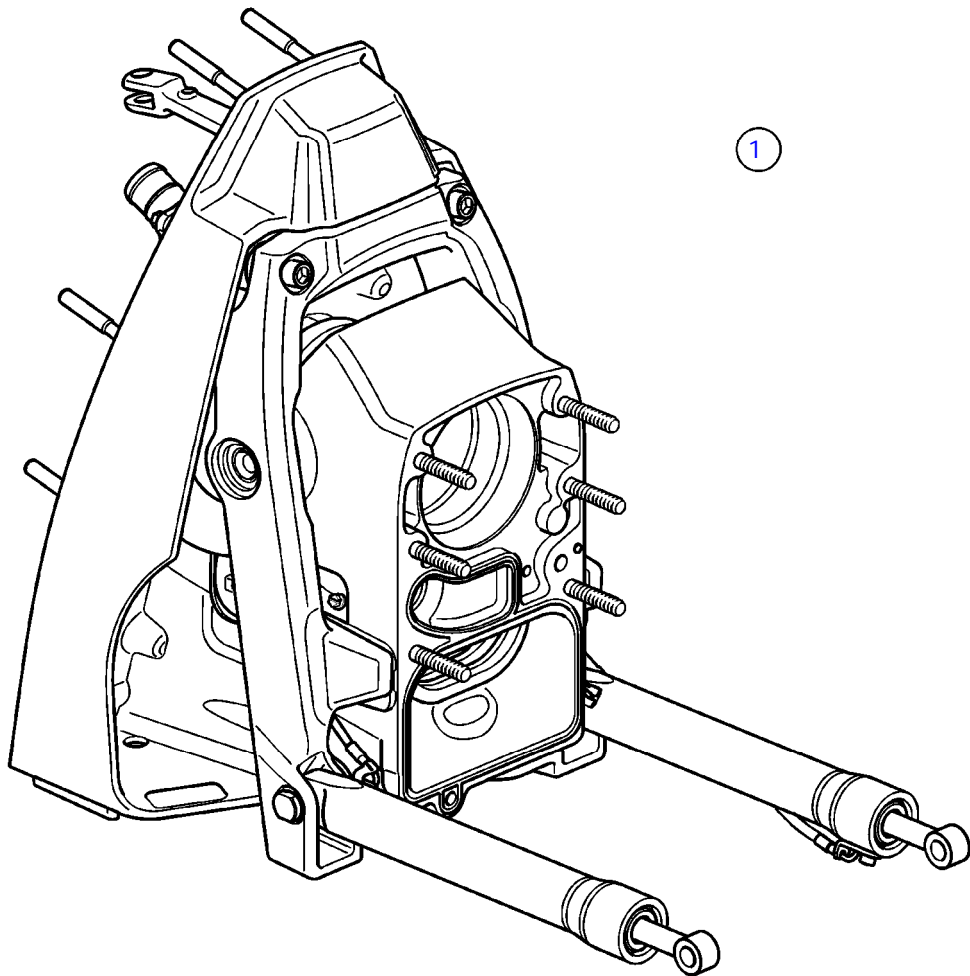


22893

SX-A, SX-A, SX-AAC, SX-AAC, SX-AACLT32, SX-AACLT32, SX-AACLT42, SX-AACLT42, SX-ALT32, SX-ALT32, SX-ALT42, SX-ALT42

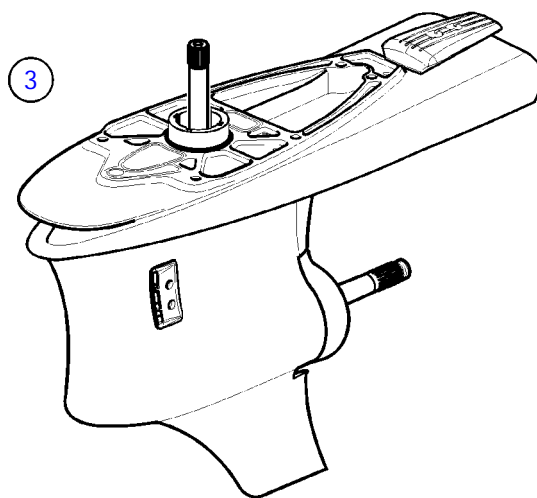
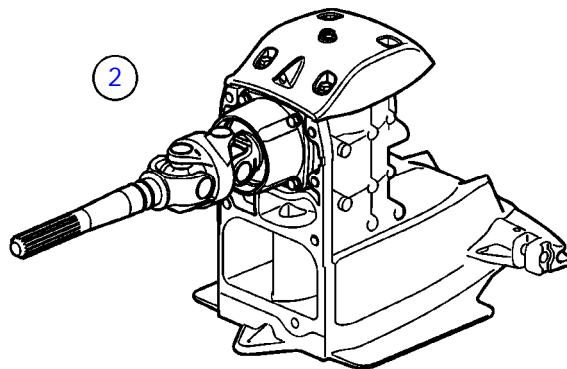
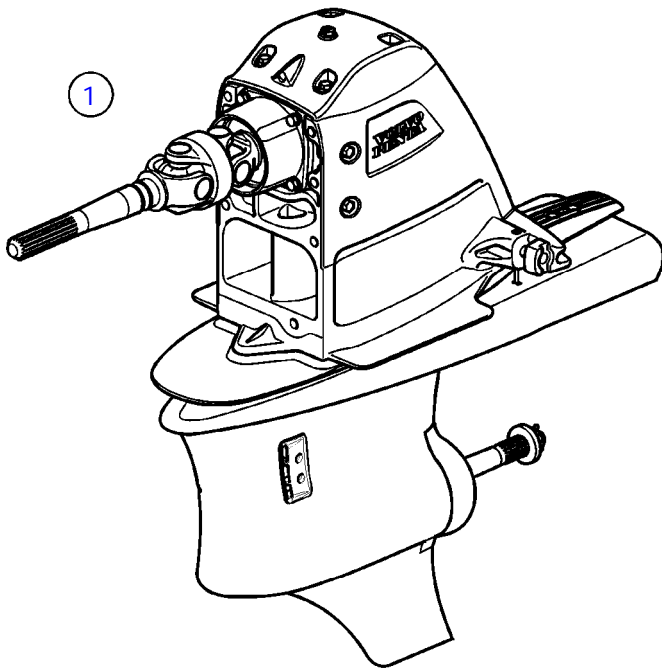
REF	PART NO.	QTY	DESCRIPTION	NOTES
1	3883769	1	Kit	other, Full Tilt, replaced by next part number
	40869166	1	Transom shield	other, Full Tilt
	3883770	1	Kit	42° tilt limit, replaced by next part number
	40869172	1	Transom shield	42° tilt limit
	3883771	1	Kit	32° tilt limit, replaced by next part number
	40869171	1	Transom shield	32° tilt limit
	3883772	1	Kit	ACP, Full tilt, replaced by next part number
	40869167	1	Transom shield	ACP, Full tilt
		1	Transom shield	42° tilt limit, ACP, replaced by next part number
		1	Transom shield	42° tilt limit, ACP
		1	Transom shield	32° tilt limit, ACP, replaced by next part number
		1	Transom shield	32° tilt limit, ACP

SXAACL-T-OXi-32, SXAACL-T-OXi-32, SXAACL-T-OXi-42, SXAACL-T-OXi-42, SX-OXi-AAC, SX-OXi-AAC



22893

SX-A

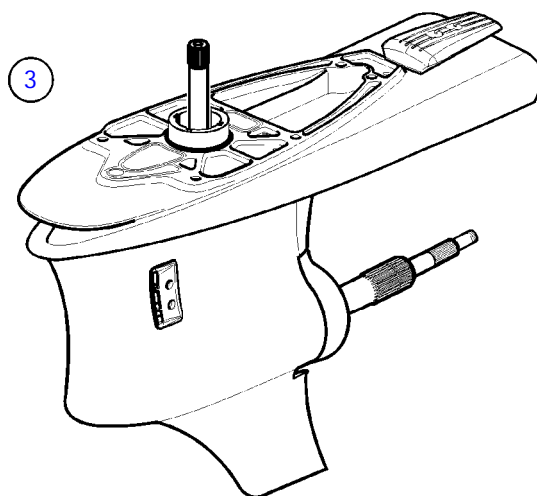
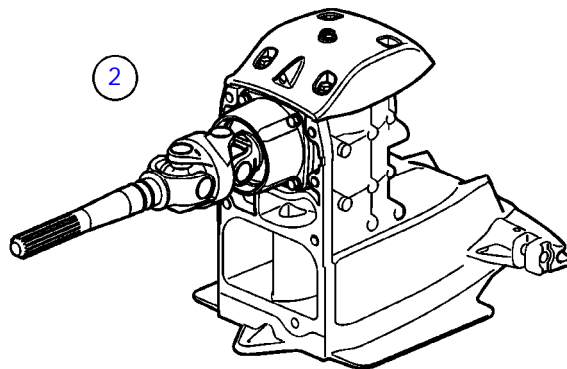
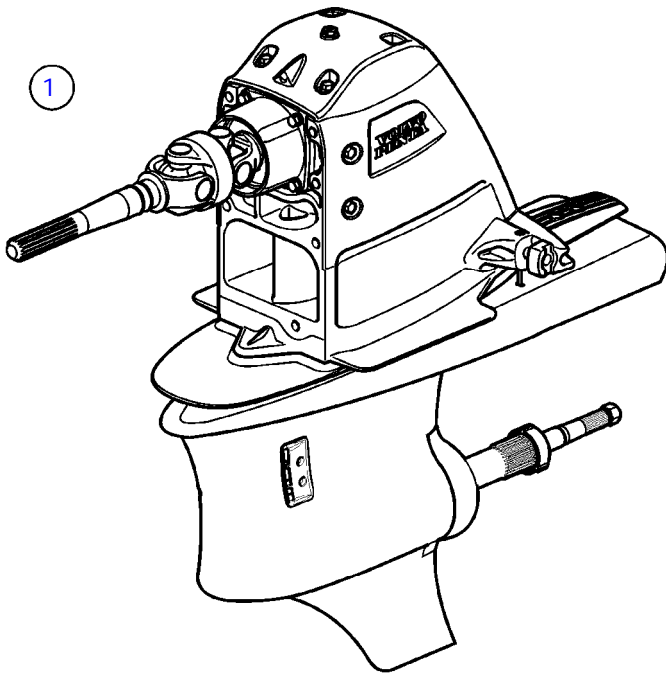


22891

SX-A

REF	PART NO.	QTY	DESCRIPTION	NOTES
1	3883599	1	Drive unit, SX-A	1.43:1
	3883600	1	Drive unit, SX-A	1.51:1
	3801209	1	Aquamatic drive, exc, SX-A, exch	1.51:1
	3883601	1	Drive unit, SX-A	1.60:1
	3883602	1	Drive unit, SX-A	1.66:1
	3801210	1	Aquamatic drive, exc, SX-A, exch	1.66:1
	3883603	1	Drive unit, SX-A	1.97:1
	3883604	1	Drive unit, SX-A	1.89:1
	3883605	1	Drive unit, SX-A	2.18:1
	3883623	1	Drive unit, SX-A	1.79:1
2	3842918	1	• Upper gear, complete	SX-A 1.43, 1.51, 1.60, 1.66, DPS-A 1.68, 1.78, 1.95
	3801213	1	• Upper gear, exch, complete, exch	SX-A 1.43, 1.51, 1.60, 1.66, DPS-A 1.68, 1.78, 1.95
	3842919	1	• Upper gear, complete	SX-A 1.79, 1.89, 1.97, 2.18, DPS-A 2.11, 2.32
	3801214	1	• Upper gear, exch, complete, exch	SX-A 1.79, 1.89, 1.97, 2.18, DPS-A 2.11, 2.32
3	3842602	1	• Gear housing, complete	1.43:1
	3842603	1	• Gear housing, complete	1.51:1 & 1.79:1
	3801215	1	• Lower gear, exch, complete, exch	1.51:1 & 1.79:1
	3842604	1	• Gear housing, complete	1.60:1 & 1.89:1
	3842605	1	• Gear housing, complete	1.66:1 & 1.97:1
	3801216	1	• Lower gear, exch, complete, exch	1.66:1 & 1.97:1
	3842606	1	• Gear housing, complete	2.18:1

DPS-A

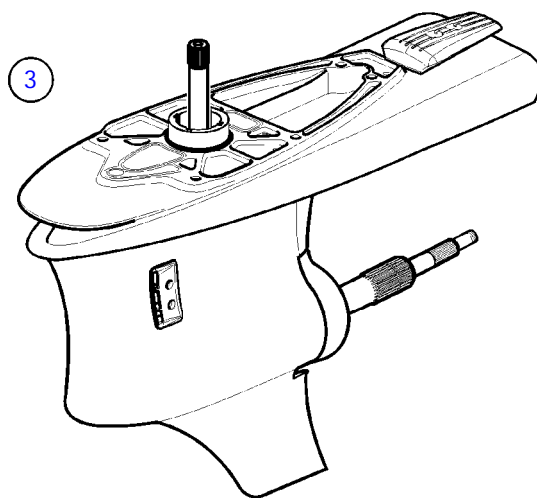
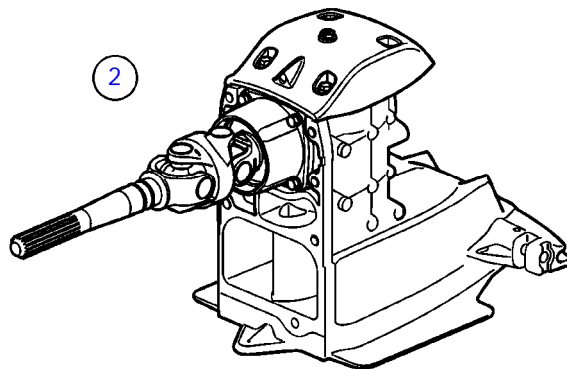
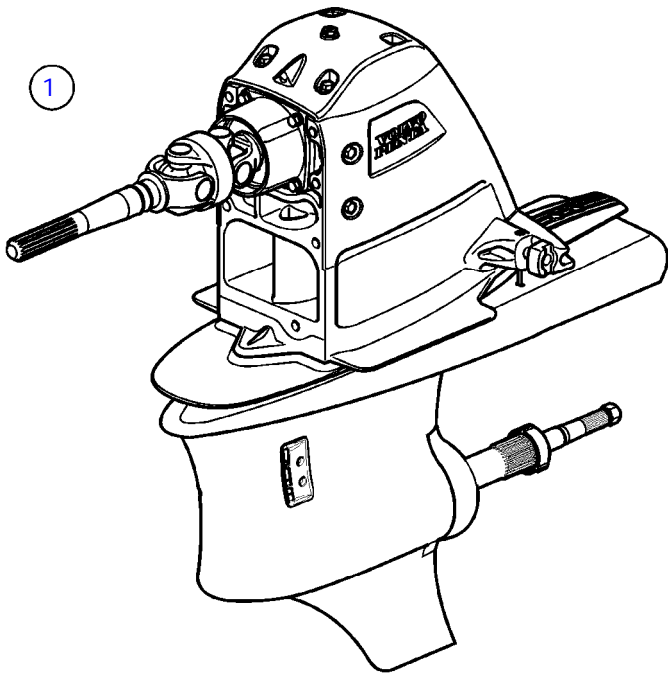


22892

DPS-A

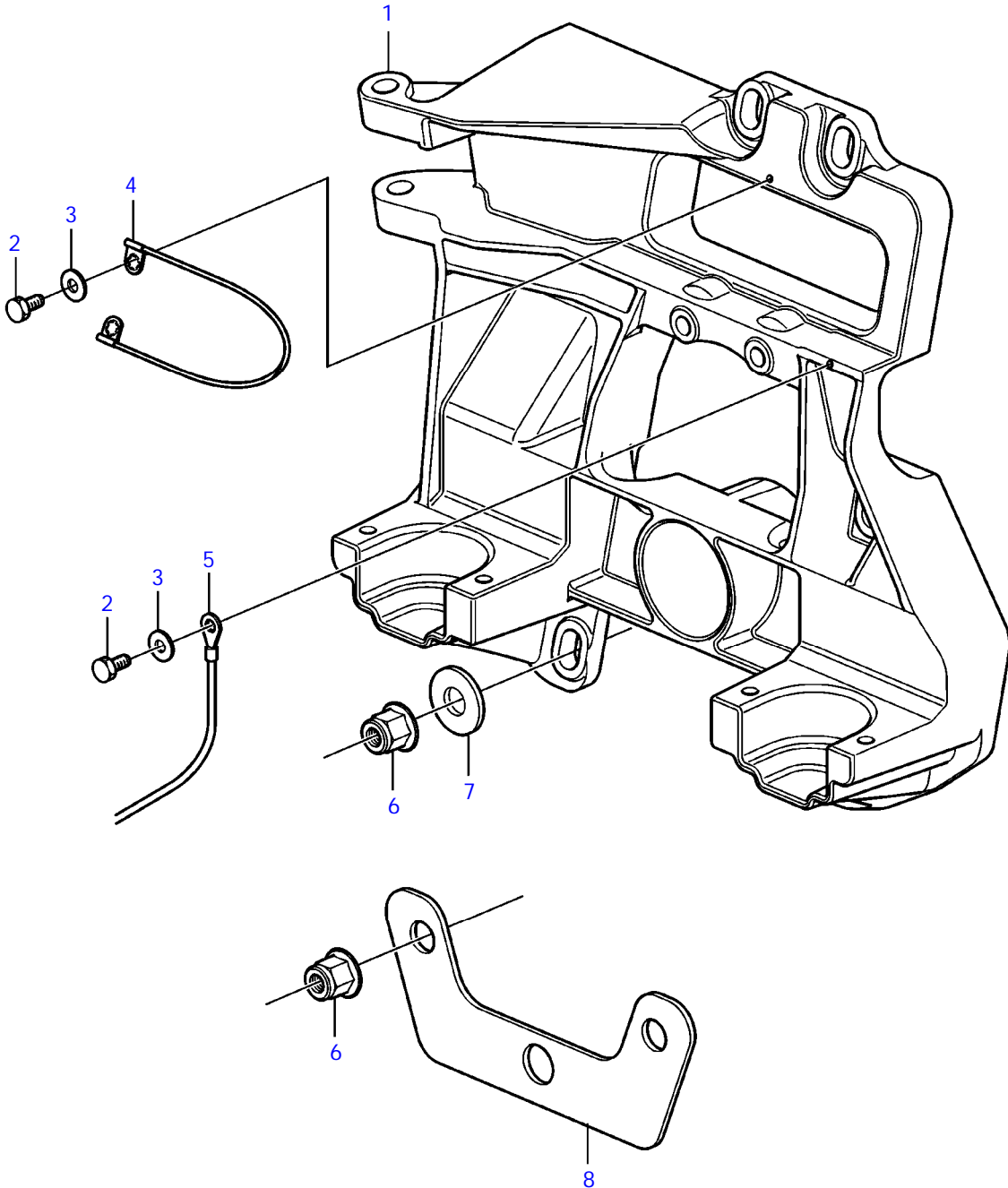
REF	PART NO.	QTY	DESCRIPTION	NOTES
1	3883606	1	Drive unit, DPS-A	1.68:1
	3883607	1	Drive unit, DPS-A	1.78:1
	3883609	1	Drive unit, DPS-A	1.95:1
	3801211	1	Aquamatic drive, exc, DPS-A, exch	1.95:1
	3883610	1	Drive unit, DPS-A	2.32:1
	3883624	1	Drive unit, DPS-A	2.11:1
	3801212	1	Aquamatic drive, exc, DPS-A, exch	2.11:1
	3869463	1	Drive, DPS-A	2.14:1
2	3842918	1	• Upper gear, complete	SX-A 1.43, 1.51, 1.60, 1.66, DPS-A 1.68, 1.78, 1.95
	3801213	1	• Upper gear, exch, complete, exch	SX-A 1.43, 1.51, 1.60, 1.66, DPS-A 1.68, 1.78, 1.95
	3842919	1	• Upper gear, complete	SX-A 1.79, 1.89, 1.97, 2.18, DPS-A 2.11, 2.32
	3801214	1	• Upper gear, exch, complete, exch	SX-A 1.79, 1.89, 1.97, 2.18, DPS-A 2.11, 2.32
	21591372	1	• Upper gear, complete	DPS-A, 2.14:1
3	3842843	1	• Gear housing, complete	1.68:1
	3842842	1	• Gear housing, complete	2.11:1 & 1.78:1
	3801217	1	• Lower gear, exch, complete, exch	2.11:1 & 1.78:1
	3842844	1	• Gear housing, complete	2.32:1, 2.14:1, 1.95:1
	3801218	1	• Lower gear, exch, complete, exch	2.32:1, 2.14:1, 1.95:1

DPS-A OXi



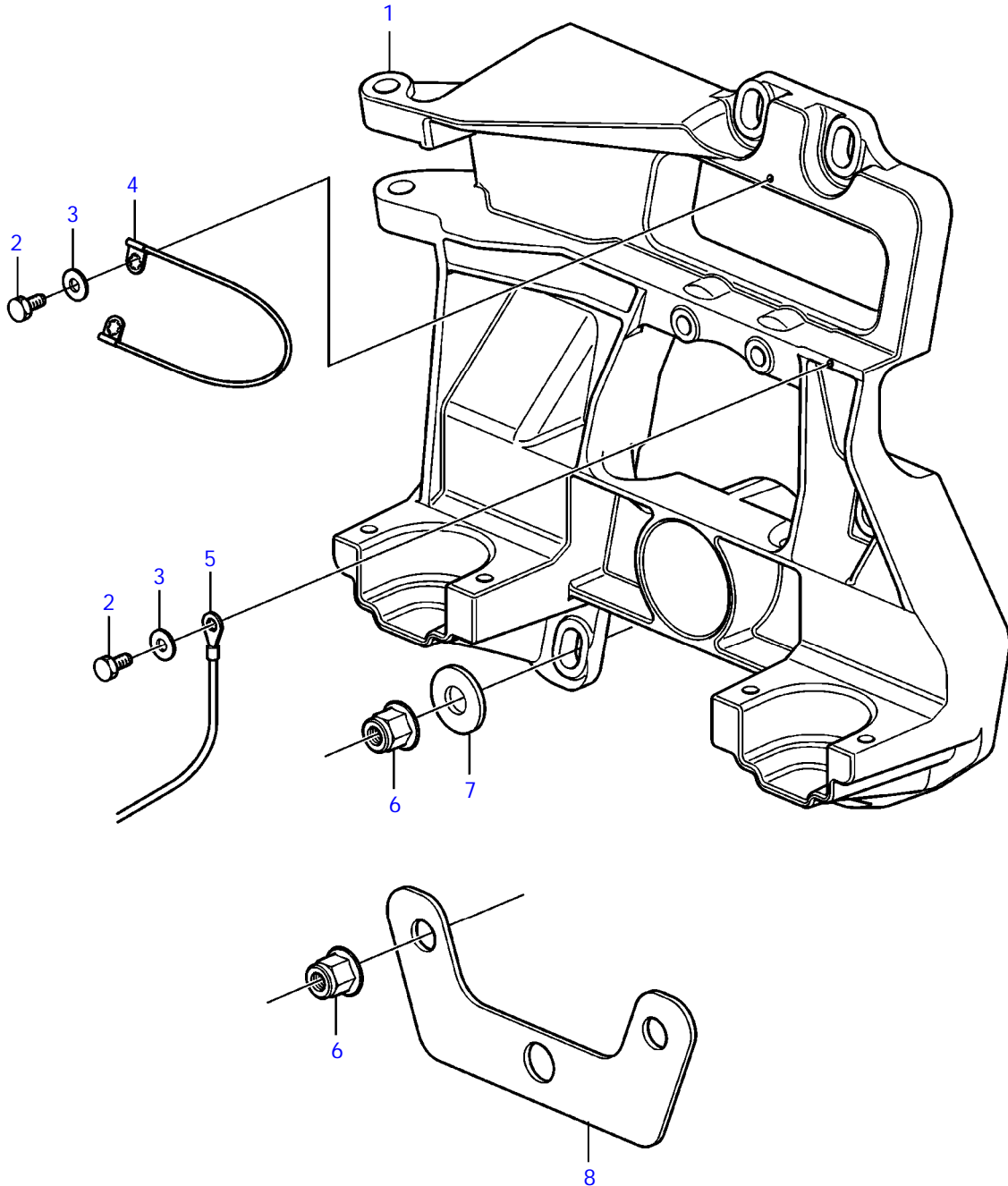
22892

SX-A, SX-AAC, SX-AACLT32, SX-AACLT42, SX-ALT32, SX-ALT42, SXAACLT-OXi-32, SXAACLT-OXi-42, SX-OXI-AAC



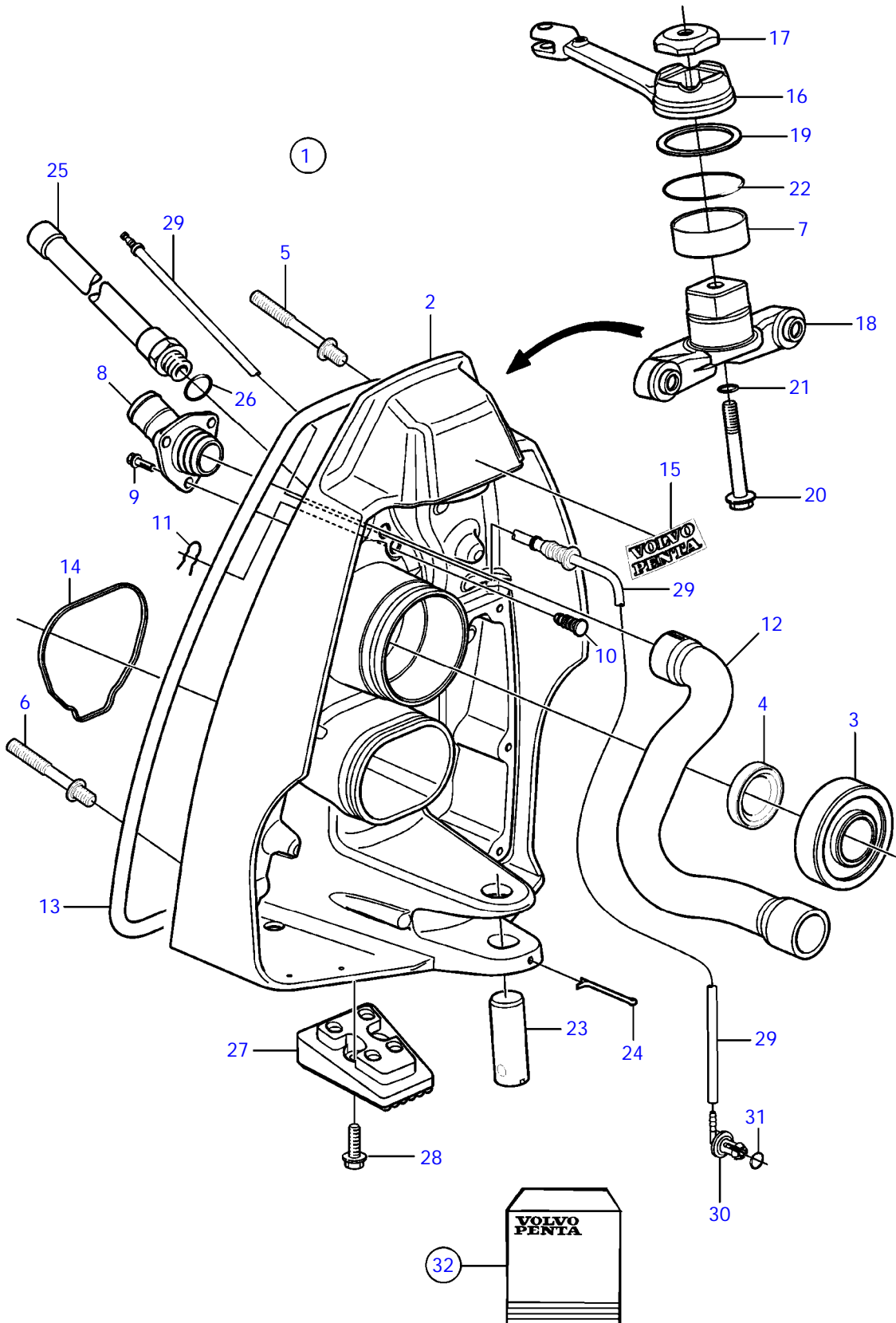
23235

SX-A, SX-AAC, SX-AACLT32, SX-AACLT42, SX-ALT32, SX-ALT42, SXAACLT-OXI-32, SXAACLT-OXI-42, SX-OXI-AAC



23235

SX-A, SX-A, SX-AAC, SX-AAC, SX-AACT32, SX-AACT32, SX-AACT42, SX-AACT42, SX-ALT32, SX-ALT32, SX-ALT42, SX-ALT42



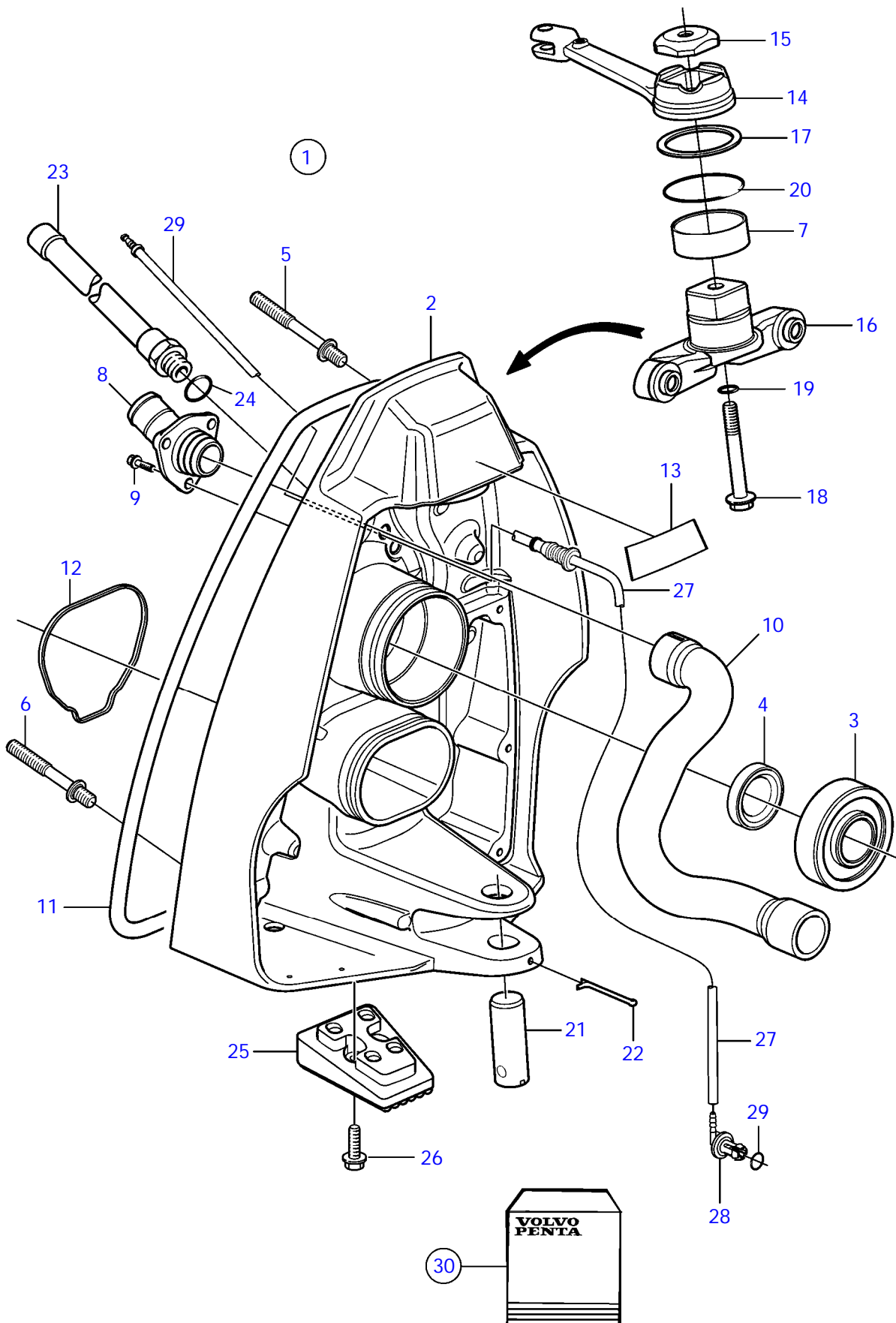
23242



SX-A, SX-A, SX-AAC, SX-AAC, SX-AACLT32, SX-AACLT32, SX-AACLT42, SX-AACLT42, SX-ALT32, SX-ALT32, SX-ALT42, SX-ALT42

REF	PART NO.	QTY	DESCRIPTION	SEE SEC.	NOTES
1	3840776	1	Shield		
2	3840774	1	• Shield		
3	3888555	1	• Bearing		
4	3883257	1	• Sealing		
5	3883255	6	• Stud		L=86mm
6	3883256	2	• Stud		L=74mm
7	3840761	1	• Bushing		
8	3840997	1	• Fitting		
9	990857	3	• Flange screw		
10	3851975	1	• Plug		
11	3852555	1	• Retainer		
12	3883777	1	• Hose		
13	3841011	1	• Gasket		
14	3841013	1	• Gasket		
15	3842849	1	• Decal		
16	3840757	1	Spindle arm		
17	3840759	1	Retainer		
18	3841017	1	Steering shaft		
19	3841141	1	Washer		
20	3842383	1	Flange screw		
21	3852045	1	O-ring		
22	946056	1	O-ring		
23	3840764	1	Steering shaft		
24	3885523	1	Split pin		
25	3856800	1	Hose		
26	3852537	1	O-ring		
27	3888816	1	Anode kit, aluminum		
	3888817	1	Anode kit, zinc		
	3888818	1	Anode kit, magnesium		
28		2	• Screw		
29	3883479	1	Tube		
30	3883719	1	• Fitting		
31	976106	1	• O-ring		
32	3888820	1	Gasket kit	9943	

SXAACL-T-OXi-32, SXAACL-T-OXi-32, SXAACL-T-OXi-42, SXAACL-T-OXi-42, SX-OXi-AAC, SX-OXi-AAC



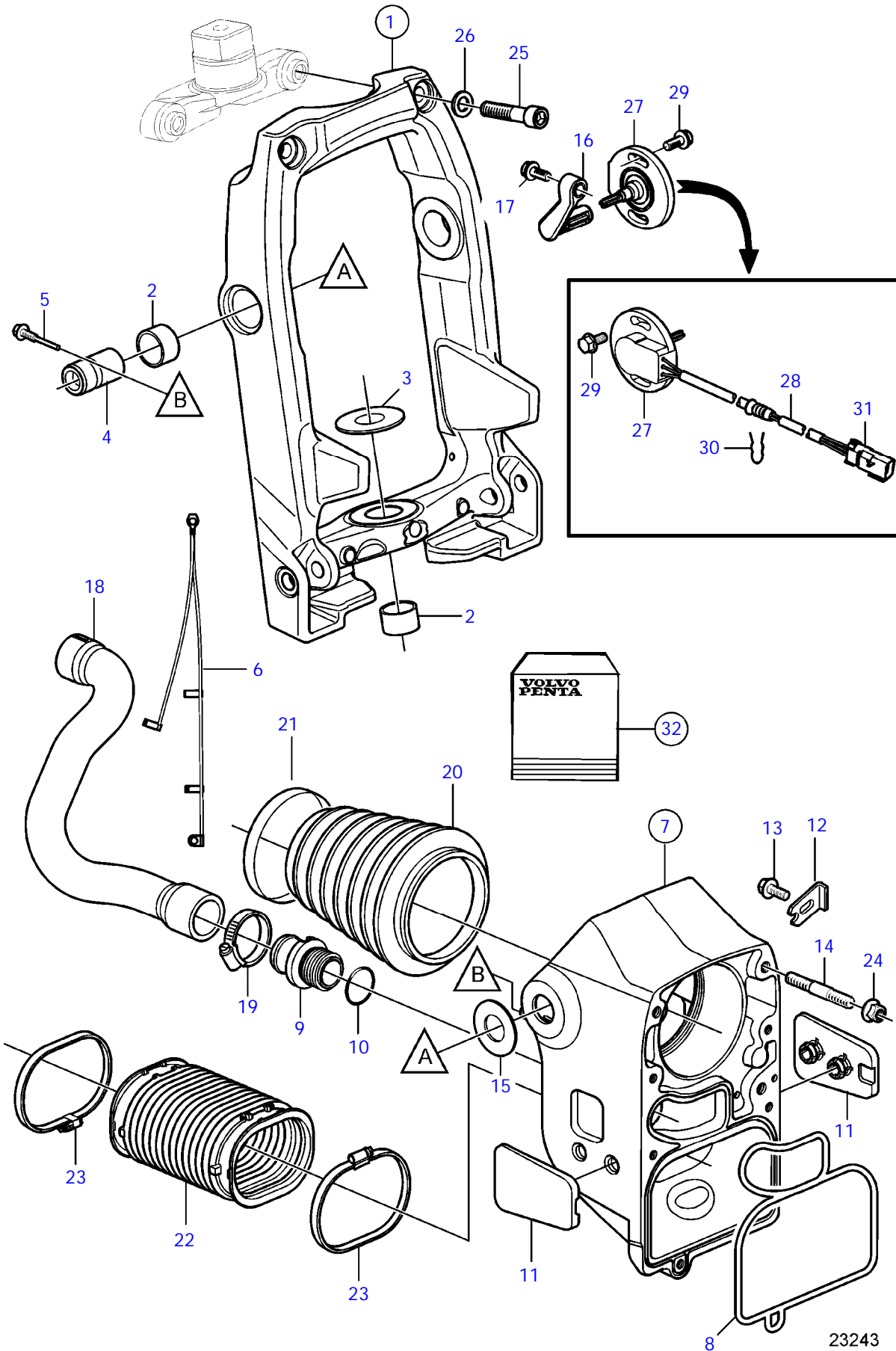
24928



SXAACL-T-OXi-32, SXAACL-T-OXi-32, SXAACL-T-OXi-42, SXAACL-T-OXi-42, SX-OXi-AAC, SX-OXi-AAC

REF	PART NO.	QTY	DESCRIPTION	SEE SEC.	NOTES
1	21176077	1	Shield		
2	21176076	1	• Shield		
3	3888555	1	• Bearing		
4	3883257	1	• Sealing		
5	3883255	6	• Stud		L=86mm
6	3883256	2	• Stud		L=74mm
7	3840761	1	• Bushing		
8	3840997	1	• Fitting		
9	990857	3	• Flange screw		
10	3883777	1	• Hose		
11	3841011	1	• Gasket		
12	3841013	1	• Gasket		
13	21235940	1	• Decal		OceanX
14	3840757	1	Spindle arm		
15	3840759	1	Retainer		
16	21145372	1	Steering shaft		
17	3841141	1	Washer		
18	3842383	1	Flange screw		
19	3852045	1	O-ring		
20	946056	1	O-ring		
21	3840764	1	Steering shaft		
22	3885523	1	Split pin		
23	3856800	1	Hose		
24	3852537	1	O-ring		
25	3888816	1	Anode kit, aluminum		
	3888817	1	Anode kit, zinc		
	3888818	1	Anode kit, magnesium		
26		2	• Screw		
27	3883479	1	Tube		
28	3883719	1	• Fitting		
29	976106	1	• O-ring		
30	3888820	1	Gasket kit	9943	

SX-A, SX-A, SX-AAC, SX-AAC, SX-AACT32, SX-AACT32, SX-AACT42, SX-AACT42, SX-ALT32, SX-ALT32, SX-ALT42, SX-ALT42

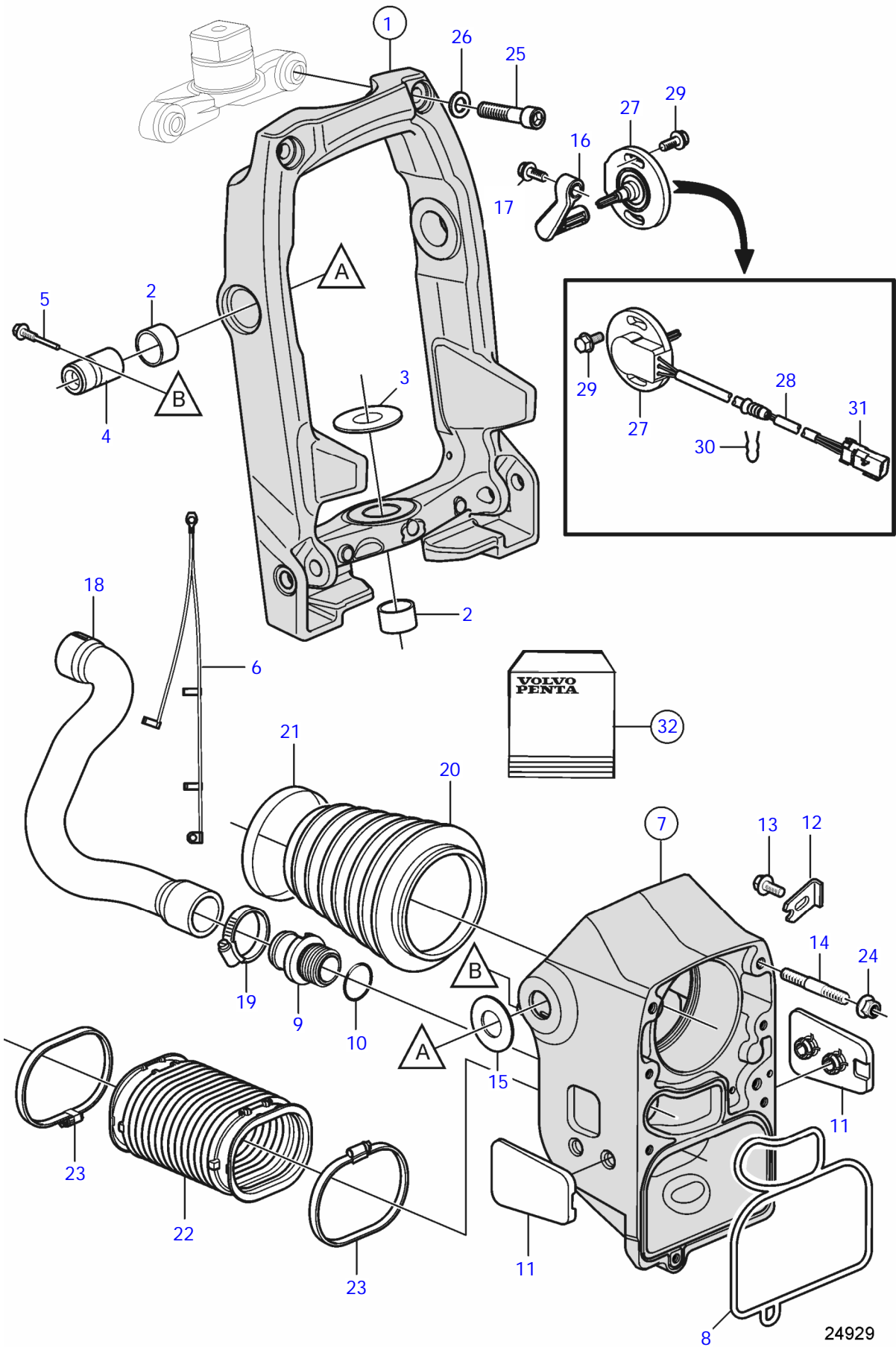


SX-A, SX-A, SX-AAC, SX-AAC, SX-AACLT32, SX-AACLT32, SX-AACLT42, SX-AACLT42, SX-ALT32, SX-ALT32, SX-ALT42, SX-ALT42

REF	PART NO.	QTY	DESCRIPTION	SEE SEC.	NOTES
1	3840770	1	Ring		
2	3808228	3	• Bearing bushing		
3	3852558	1	• Washer		
4	3841005	2	Pivot pin		
5	3883496	2	Flange screw		
6	3842406	1	Chassie ground cable		
7	3840850	1	Housing		replaced by next part number
	21176080	1	Housing		
8	3883572	1	• Gasket		replaced by next part number
	3889788	1	• Gasket		
9	3883597	1	• Fitting		
10	947490	1	• O-ring		
11	3841295	2	• Pad		
12	3888766	1	• Retainer		Shift cable
13	3852006	1	• Screw		
14	3852551	6	• Stud		
15	3852558	2	• Washer		
16	3840999	1	• Shaft		
17	990857	1	• Flange screw		
18	3883777	1	Hose		
19	3889653	1	Hose clamp		
20	3841481	1	Bellows kit		
21	853012	1	• Hose clamp		
22	3888916	1	Kit		
23	3852604	2	• Hose clamp		
24	3853329	6	Nut		
25	3888124	2	Hex. socket screw		
26	3850676	2	Washer		
27	3841840	1	Sensor, trim		replaced by next part number
	21484383	1	Sensor		
28		1	• Wiring harness		
29	990857	2	Flange screw		
30	3852555	1	Retainer		
31	3884945	1	Cable connection		
32	3888820	1	Gasket kit	9943	



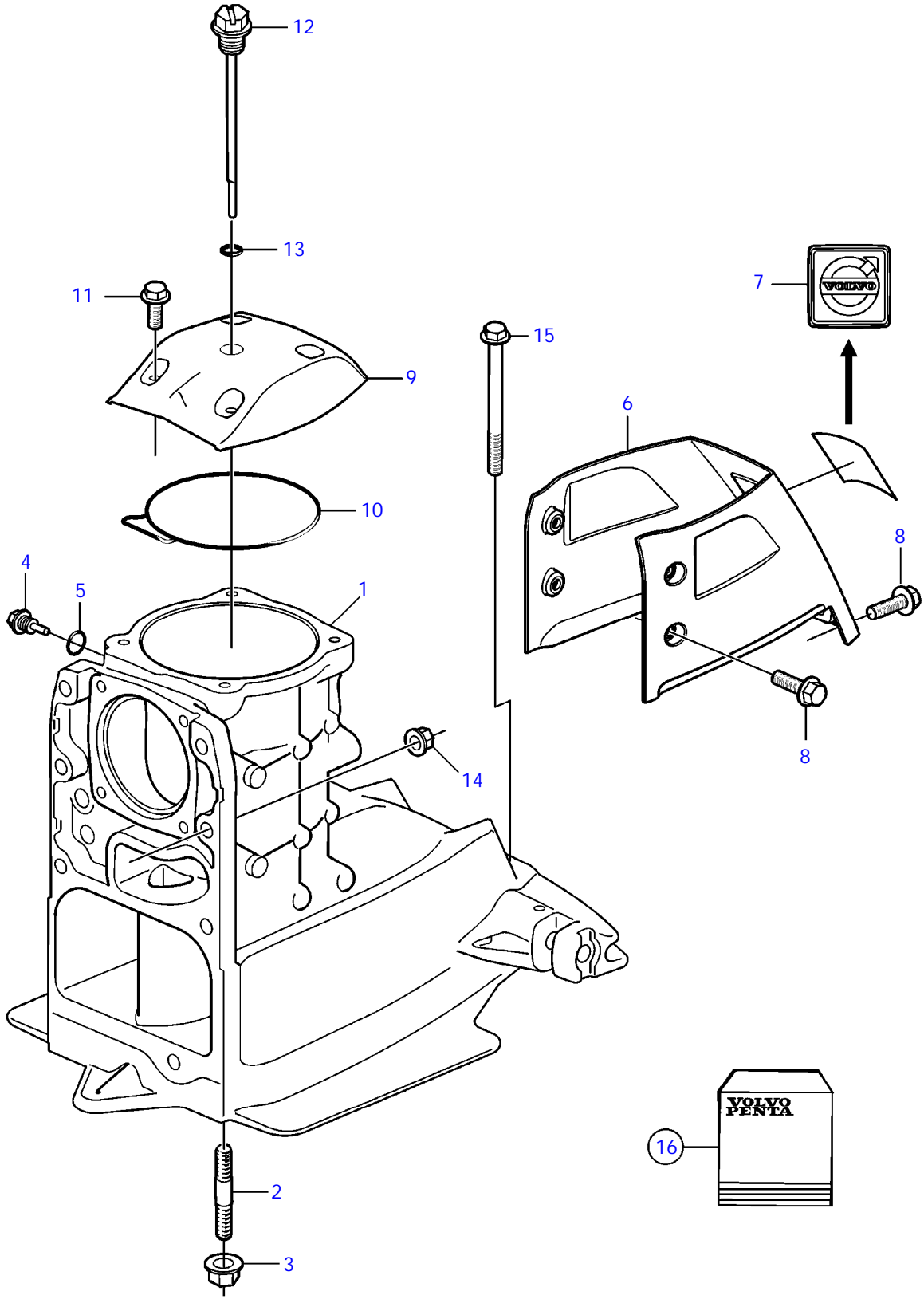
SXAACL-T-OXi-32, SXAACL-T-OXi-32, SXAACL-T-OXi-42, SXAACL-T-OXi-42, SX-OXi-AAC, SX-OXi-AAC



SXAACL-T-OXi-32, SXAACL-T-OXi-32, SXAACL-T-OXi-42, SXAACL-T-OXi-42, SX-OXi-AAC, SX-OXi-AAC

REF	PART NO.	QTY	DESCRIPTION	SEE SEC.	NOTES
1	21145375	1	Ring		
2	3808228	3	• Bearing bushing		
3	3852558	1	• Washer		
4	3841005	2	Pivot pin		
5	3883496	2	Flange screw		
6	3842406	1	Chassie ground cable		
7	21176081	1	Housing		
8	3889788	1	• Gasket		
9	3883597	1	• Fitting		
10	947490	1	• O-ring		
11	3841295	2	• Pad		
12	3888766	1	• Retainer		Shift cable
13	3852006	1	• Screw		
14	3852551	6	• Stud		
15	3852558	2	• Washer		
16	3840999	1	• Shaft		
17	990857	1	• Flange screw		
18	3883777	1	Hose		
19	3889653	1	Hose clamp		
20	3841481	1	Bellows kit		
21	853012	1	• Hose clamp		
22	3888916	1	Kit		
23	3852604	2	• Hose clamp		
24	3853329	6	Nut		
25	3888124	2	Hex. socket screw		
26	3850676	2	Washer		
27	3841840	1	Sensor, trim		replaced by next part number
	21484383	1	Sensor		
28		1	• Wiring harness		
29	990857	2	Flange screw		
30	3852555	1	Retainer		
31	3884945	1	Cable connection		
32	3888820	1	Gasket kit	9943	

SX-A, DPS-A



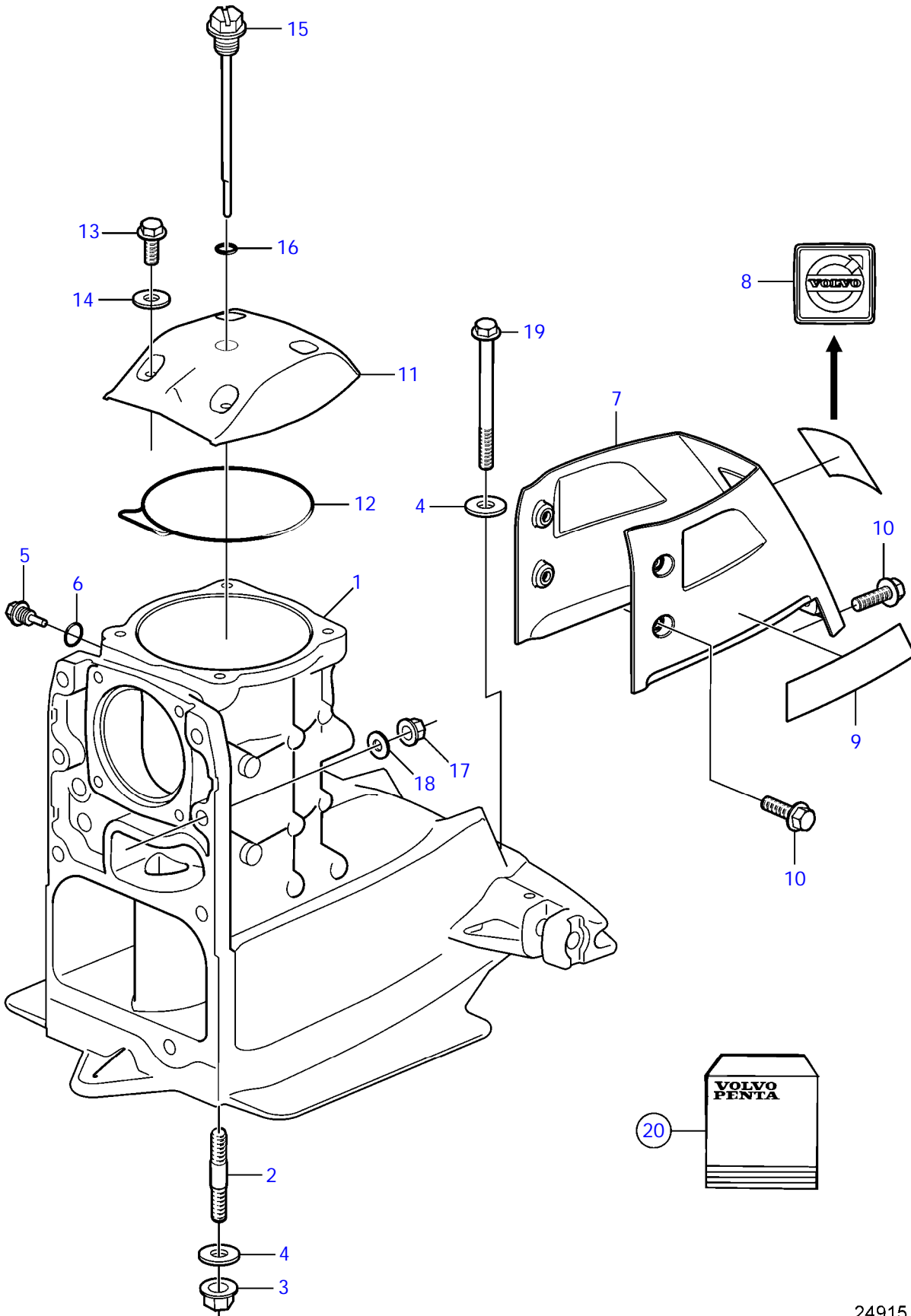
23244



SX-A, DPS-A

REF	PART NO.	QTY	DESCRIPTION	SEE SEC.	NOTES
1	3840844	1	Gear housing		replaced by next part number
	21119788	1	Gear housing		
2	977298	4	Stud		
3	984054	4	Flange lock nut		
4	3854539	1	Plug		
5	3855081	1	• O-ring		
6	3842136	1	Cover		
7	3863409	1	Decal		replaced by next part number
	3887432	1	Decal		
8	990859	5	Flange screw		
9	3842916	1	Cover		replaced by next part number
			• Bulletin P-44-1-16	P-44-1-16-EN	Drive Service Kits
9		1	Cover		
10	3841964	1	Gasket		replaced by next part number
	3889782	1	Gasket		
11	990859	4	Flange screw		
12	3888544	1	Dipstick		
13	3852045	1	O-ring		
14	3853329	6	Nut		
15	990860	2	Flange screw		
16	3888917	1	Gasket kit	9943	

DPS-A OXi

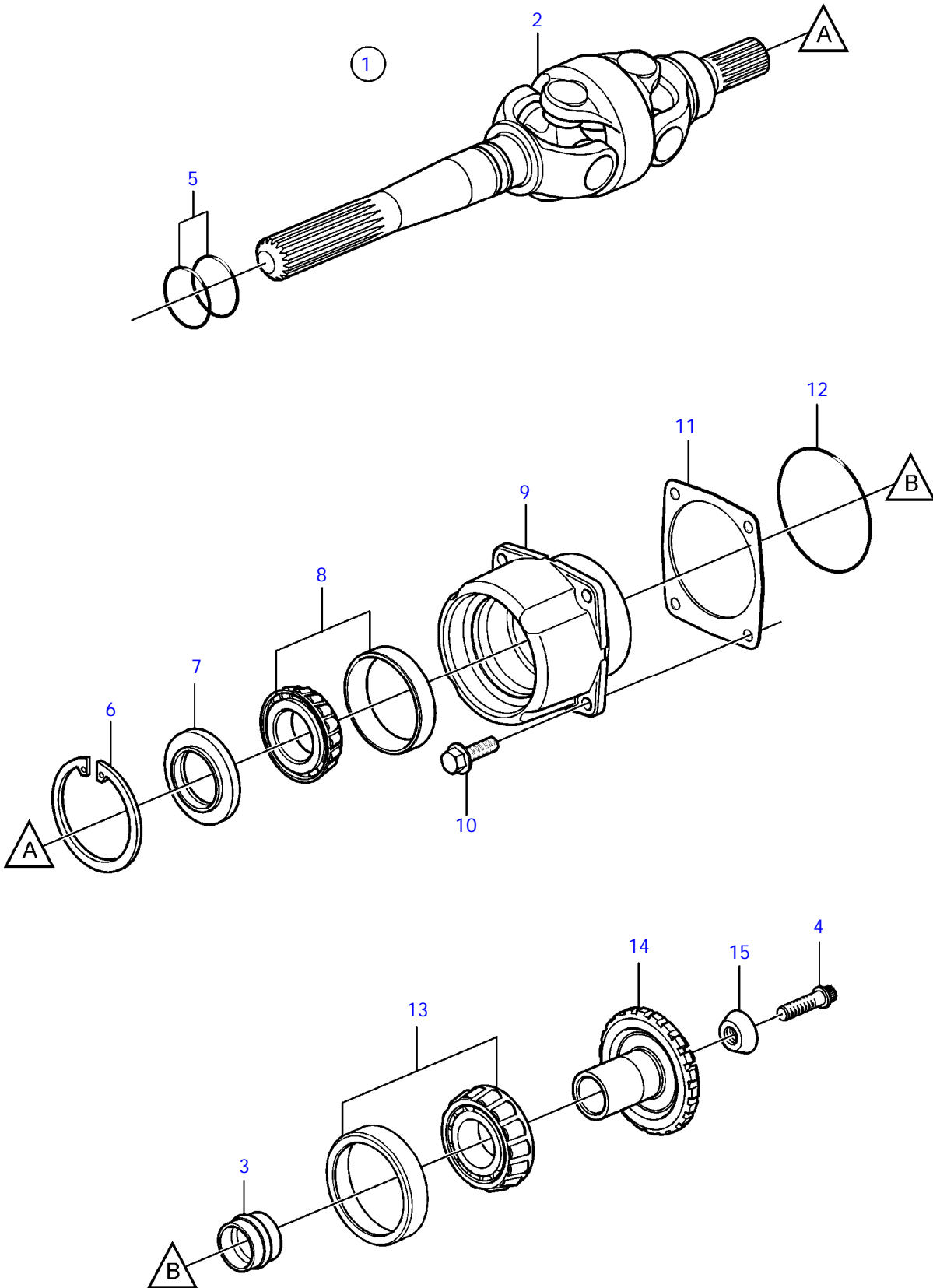


24915

DPS-A OXi

REF	PART NO.	QTY	DESCRIPTION	SEE SEC.	NOTES
1	21120518	1	Gear housing		
2	977298	4	Stud		
3	984054	4	Flange lock nut		
4	980933	6	Washer		
5	3887005	1	Magnetic plug		
6	949187	1	• O-ring		
7	21390286	1	Cover		
8	3887432	1	Decal		
9	21235943	2	Decal		OceanX, replaced by next part number
	21606399	2	Decal		OceanX
10	990859	5	Flange screw		
11	21136721	1	Cover		
12	3889782	1	Gasket		
13	990859	4	Flange screw		
14	982408	4	Washer		
15	3888544	1	Dipstick		
16	3852045	1	O-ring		
17	3853329	6	Nut		
18	3854496	6	Washer		
19	990860	2	Flange screw		
20	3888917	1	Gasket kit	9943	

SX-A, DPS-A

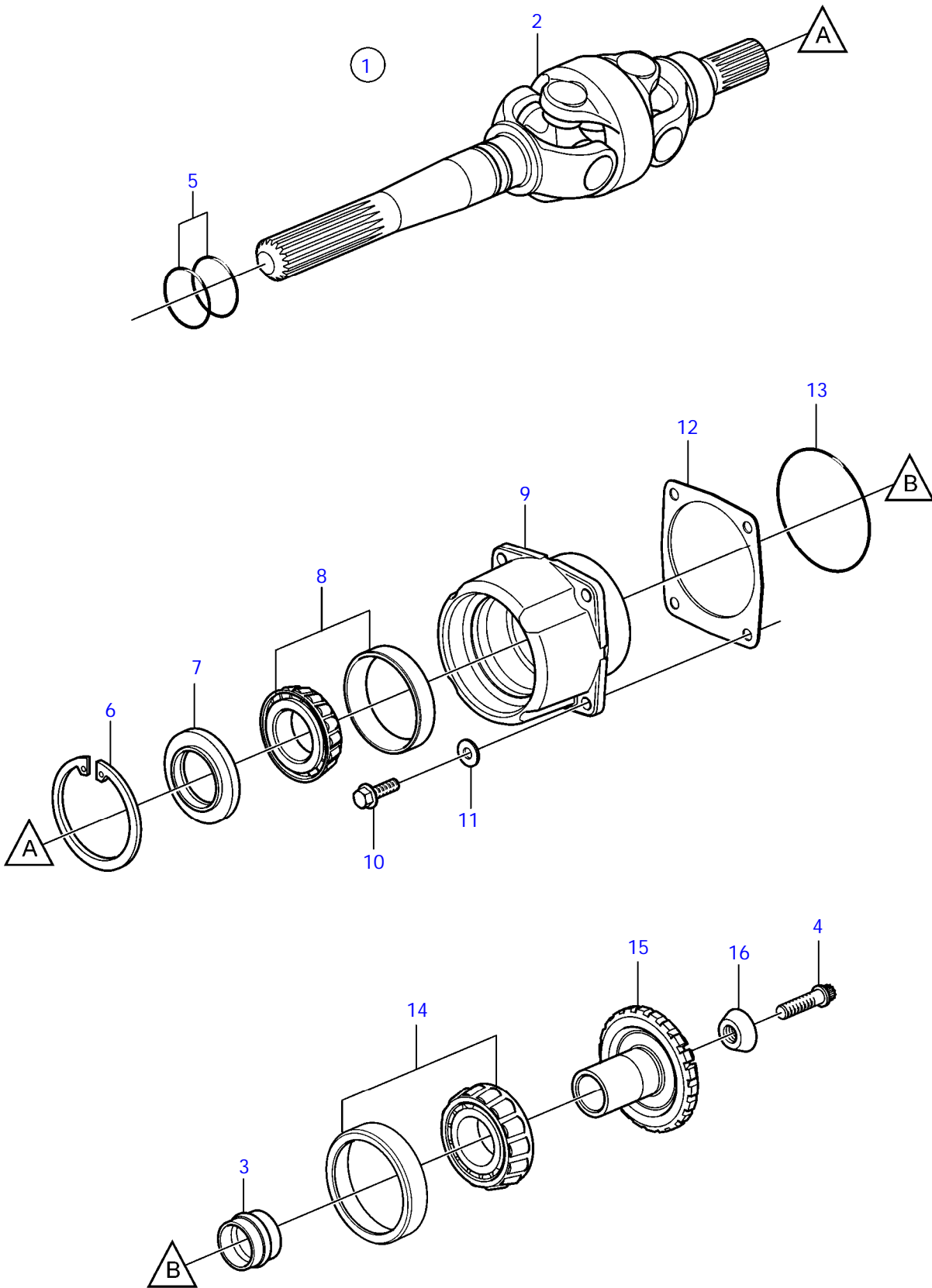


23245

SX-A, DPS-A

REF	PART NO.	QTY	DESCRIPTION	SEE SEC.	NOTES
1	3860842	1	Kit		
			• Bulletin P-44-1-5	P-44-1-5-EN	U-joints
2		1	• Universal joint		Not sold separately
3	3852304	1	• Sleeve		
4	3860364	1	• Screw		
5	3852565	2	O-ring		
6	914538	1	Snap ring		
7	3852272	1	Sealing		
8	3850853	1	Bearing		replaced by next part number
	183247	1	Roller bearing		
9	3840838	1	Bearing carrier		
10	990859	4	Flange screw		
11	3842039	1	Shim		TH=0.003"
	3842040	1	Shim		TH=0.004"
	3842041	1	Shim		TH=0.005"
	3842042	1	Shim		TH=0.010"
12	925095	1	O-ring		replaced by next part number
	967344	1	O-ring		
13	3850852	1	Bearing		
14	21130692	1	Kit	9934	SX-A 1.43, 1.51, 1.60, 1.66, DPS-A 1.68, 1.78, 1.95
	21130693	1	Kit	35587	SX-A 1.79, 1.89, 1.97, 2.18, DPS-A 2.11, 2.32
	21276164	1	Kit	35588	DPS-A, 2.14:1
15	853026	1	Washer		

DPS-A OXi

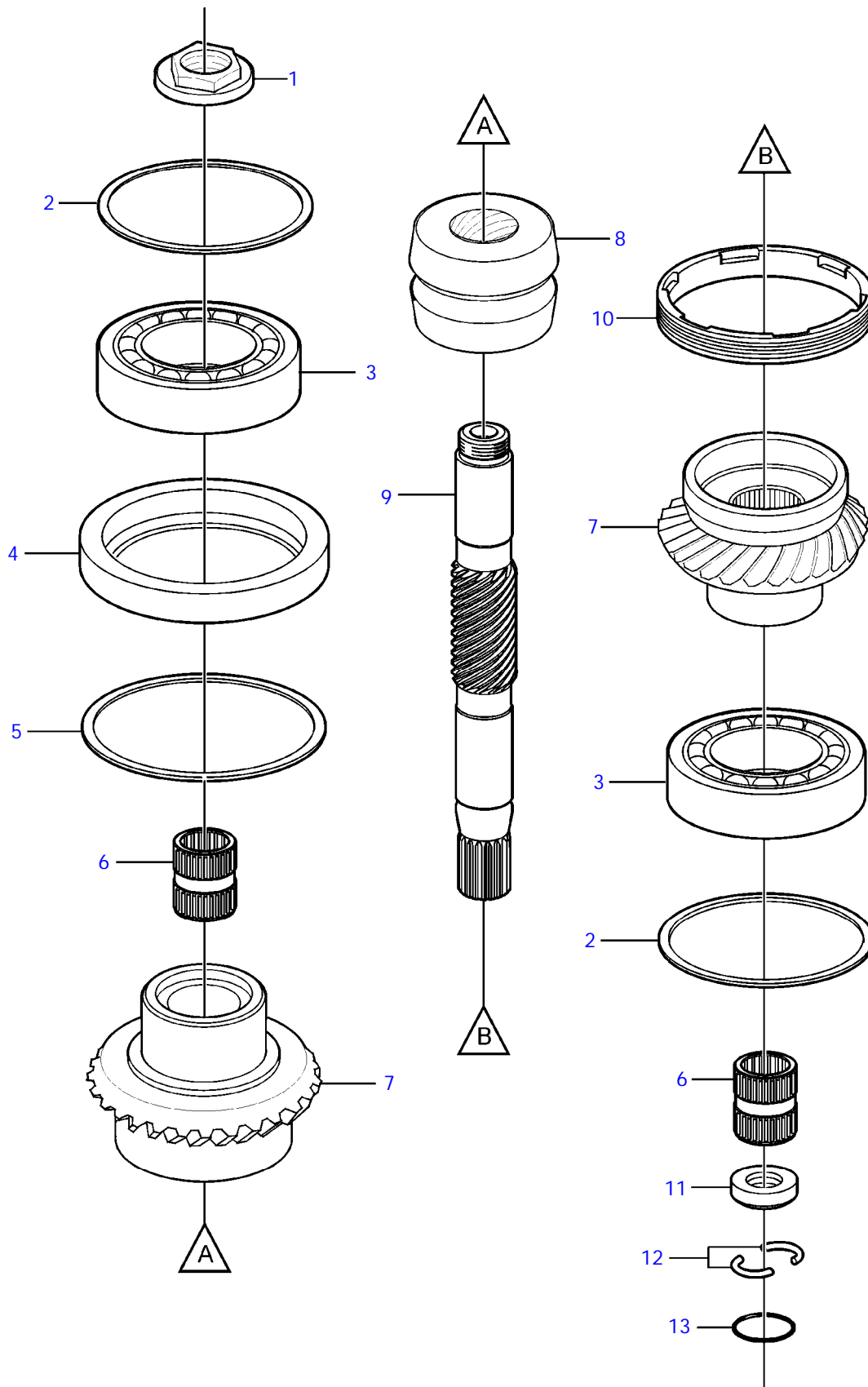


24919

DPS-A OXi

REF	PART NO.	QTY	DESCRIPTION	SEE SEC.	NOTES
1	3860842	1	Kit		
			• Bulletin P-44-1-5	P-44-1-5-EN	U-joints
2		1	• Universal joint		Not sold separately
3	3852304	1	• Sleeve		
4	3860364	1	• Screw		
5	3852565	2	O-ring		
6	914538	1	Snap ring		
7	3852272	1	Sealing		
8	3850853	1	Bearing		replaced by next part number
	183247	1	Roller bearing		
9	3840838	1	Bearing carrier		
10	990859	4	Flange screw		
11	982408	4	Washer		
12	3842039	1	Shim		TH=0.003"
	3842040	1	Shim		TH=0.004"
	3842041	1	Shim		TH=0.005"
	3842042	1	Shim		TH=0.010"
13	925095	1	O-ring		replaced by next part number
	967344	1	O-ring		
14	3850852	1	Bearing		
15	21130692	1	Kit	9934	1.78:1, 1.95:1
	21276164	1	Kit	35588	2.14:1
16	853026	1	Washer		

SX-A 1.43, SX-A 1.51, SX-A 1.60, DPS-A 1.68, DPS-A 1.78, DPS-A 1.95, DPS-A OXI 1.78, DPS-A OXI 1.95

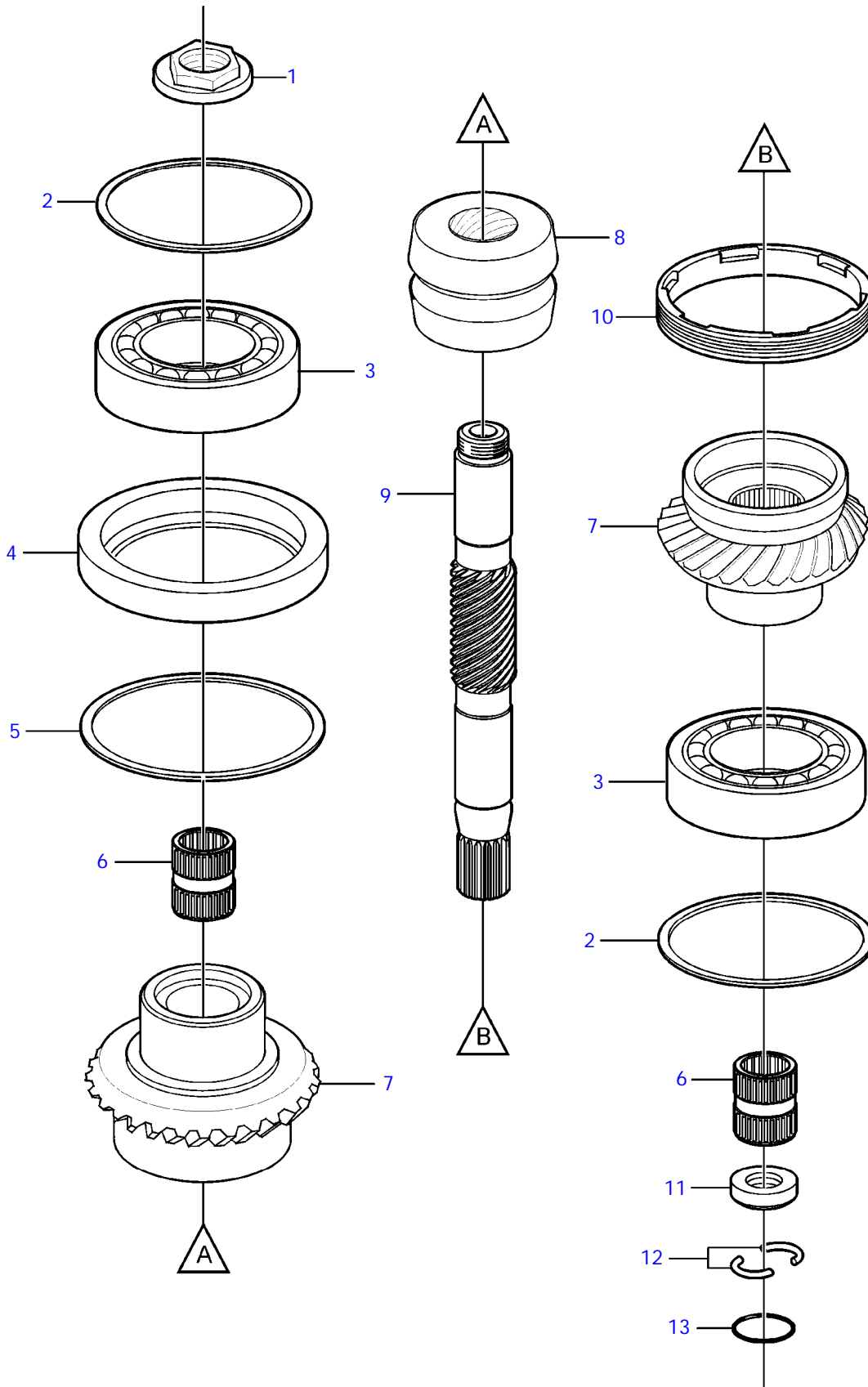


23246

SX-A 1.43, SX-A 1.51, SX-A 1.60, DPS-A 1.68, DPS-A 1.78, DPS-A 1.95, DPS-A OXi 1.78, DPS-A OXi 1.95

REF	PART NO.	QTY	DESCRIPTION	NOTES
1	3852301	1	Nut	TH=0.00
	3852302	1	Nut	TH=0.20mm
	3852303	1	Nut	TH=0.40mm
	3852375	1	Nut	TH=0.60mm
2	3860615	1	Shim	TH=0.002"
	3860616	1	Shim	TH=0.003"
	3860617	1	Shim	TH=0.004"
	3860618	1	Shim	TH=0.005"
	3860619	1	Shim	TH=0.010"
3	11028	2	Ball bearing	
4	3841970	1	Ring	
5	3842161	1	Shim	TH=0.002"
	3842162	1	Shim	TH=0.003"
	3842163	1	Shim	TH=0.004"
	3842164	1	Shim	TH=0.005"
	3842165	1	Shim	TH=0.010"
6	3852390	2	Bearing	
7	21130692	1	Kit	
		1	• Gear set	
8	3807613	1	• Sliding sleeve	
9	3852292	1	Spindle	
10	3860106	1	Ring	
11	3860273	1	Spacer ring	
12	3852295	2	Locking clip	
13	949656	1	O-ring	

SX-A 1.79, SX-A 1.89, SX-A 1.97, SX-A 2.18, DPS-A 2.11, DPS-A 2.32

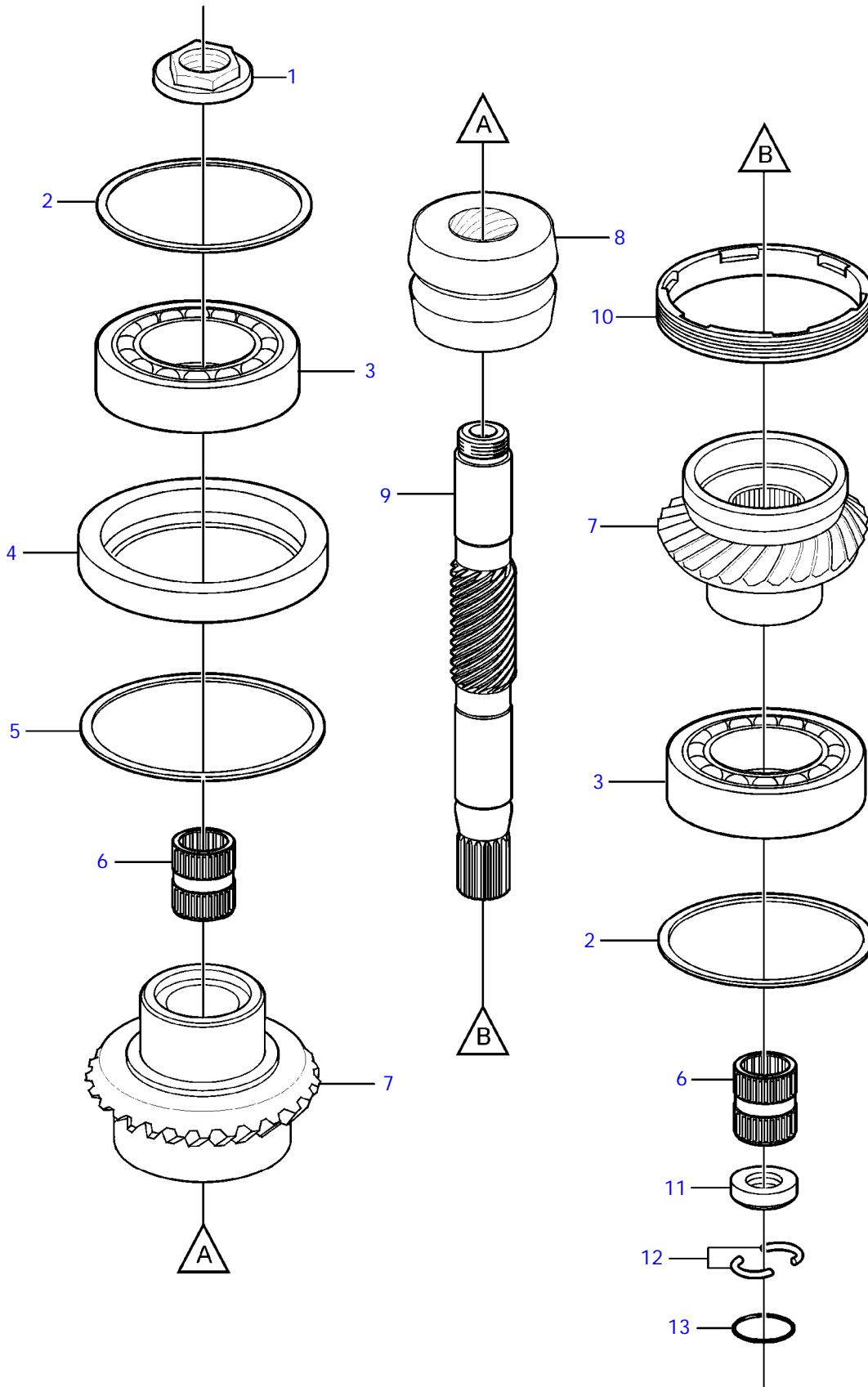


23246

SX-A 1.79, SX-A 1.89, SX-A 1.97, SX-A 2.18, DPS-A 2.11, DPS-A 2.32

REF	PART NO.	QTY	DESCRIPTION	NOTES
1	3852301	1	Nut	TH=0.00
	3852302	1	Nut	TH=0.20mm
	3852303	1	Nut	TH=0.40mm
	3852375	1	Nut	TH=0.60mm
2	3860615	1	Shim	TH=0.002"
	3860616	1	Shim	TH=0.003"
	3860617	1	Shim	TH=0.004"
	3860618	1	Shim	TH=0.005"
	3860619	1	Shim	TH=0.010"
3	11028	2	Ball bearing	
4	3841970	1	Ring	
5	3842161	1	Shim	TH=0.002"
	3842162	1	Shim	TH=0.003"
	3842163	1	Shim	TH=0.004"
	3842164	1	Shim	TH=0.005"
	3842165	1	Shim	TH=0.010"
6	3852390	2	Bearing	
7	21130693	1	Kit	
		1	• Gear set	
8	3807613	1	• Sliding sleeve	
9	3852292	1	Spindle	
10	3860106	1	Ring	
11		1	Spacer ring	
12	3852295	2	Locking clip	
13	949656	1	O-ring	

DPS-A 2.14, DPS-A OXi 2.14

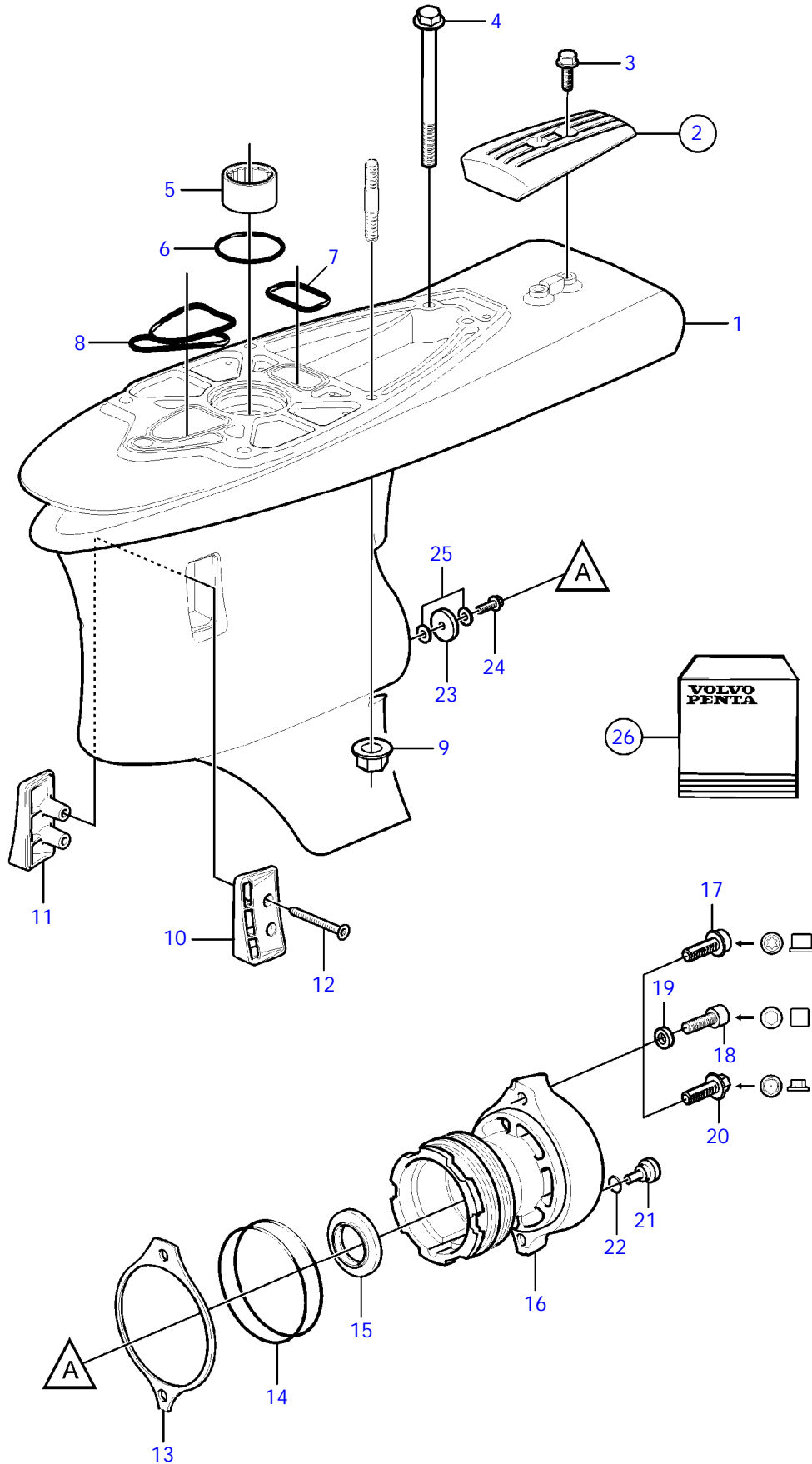


23246

DPS-A 2.14, DPS-A OXi 2.14

REF	PART NO.	QTY	DESCRIPTION	NOTES
1	3852301	1	Nut	TH=0.00
	3852302	1	Nut	TH=0.20mm
	3852303	1	Nut	TH=0.40mm
	3852375	1	Nut	TH=0.60mm
2	3860615	1	Shim	TH=0.002"
	3860616	1	Shim	TH=0.003"
	3860617	1	Shim	TH=0.004"
	3860618	1	Shim	TH=0.005"
	3860619	1	Shim	TH=0.010"
3	11028	2	Ball bearing	
4	3841970	1	Ring	
5	3842161	1	Shim	TH=0.002"
	3842162	1	Shim	TH=0.003"
	3842163	1	Shim	TH=0.004"
	3842164	1	Shim	TH=0.005"
	3842165	1	Shim	TH=0.010"
6	3852390	2	Bearing	
7	21276164	1	Kit	
		1	• Gear set	
8	3807613	1	• Sliding sleeve	
9	3852292	1	Spindle	
10	3860106	1	Ring	
11		1	Spacer ring	
12	3852295	2	Locking clip	
13	949656	1	O-ring	

SX-A



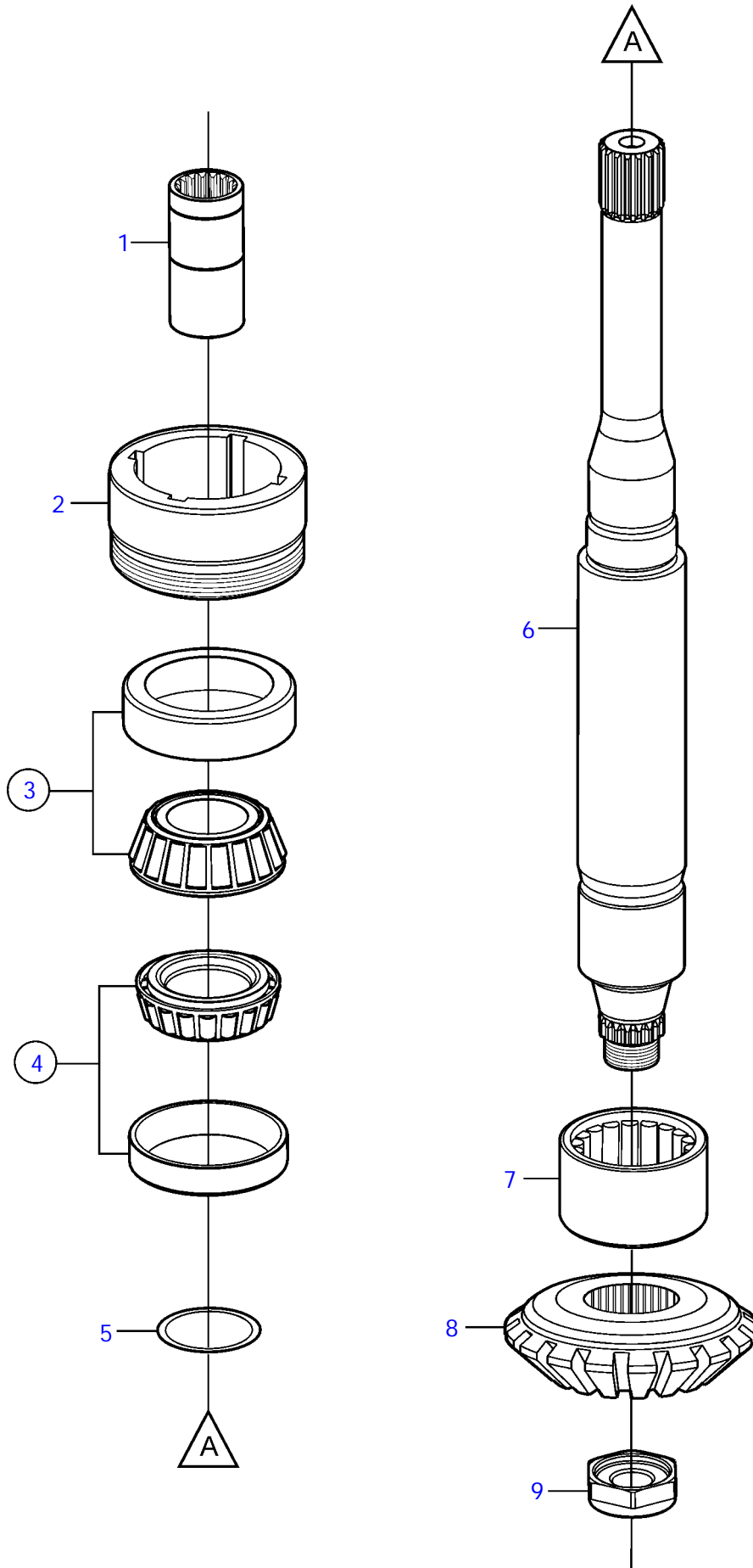
23247



SX-A

REF	PART NO.	QTY	DESCRIPTION	SEE SEC.	NOTES
1	3842607	1	Gear housing		replaced by next part number
	21119783	1	Gear housing		
2	3888813	1	Anode kit, aluminum		
	3888814	1	Anode kit, zinc		
	3888815	1	Anode kit, magnesium		
3		2	• Screw		
4	990860	2	Flange screw		
5	3853934	1	Bearing		
6	3852866	1	O-ring		
7	3841968	1	Gasket		replaced by next part number
	3889786	1	Gasket		
8	3841966	1	Gasket		replaced by next part number
	3889784	1	Gasket		
9	984054	4	Flange lock nut		
10	3841960	1	Water inlet		
11	3841962	1	Water inlet		
12	3887570	2	Allen head sunk scre		
13	3883814	1	Shim		TH=0.004"
	3883815	1	Shim		TH=0.15mm
	3883817	1	Shim		TH=0.010"
	3883818	1	Shim		TH=0.35mm
14	925259	2	O-ring		
15	3863090	1	Sealing		
16	3843298	1	Bearing carrier		replaced by next part number
			• Bulletin P-44-1-16	P-44-1-16-EN	Drive Service Kits
16	21141697	1	Bearing carrier		
17		2	Screw, torx		Use 1 ea. 984275 and 1 ea. 3888785 to replace screw.
18	984275	2	Hex. socket screw		
19	3888785	2	Spacer		
20		2	Flange screw		Use 1 ea. 984275 and 1 ea. 3888785 to replace screw.
21	3854539	1	Plug		
22	3855081	1	• O-ring		
23	854096	1	Magnet		
24	990857	1	Flange screw		
25	3852193	2	Washer		
26	3888821	1	Gasket kit	9943	SX-A

SX-A



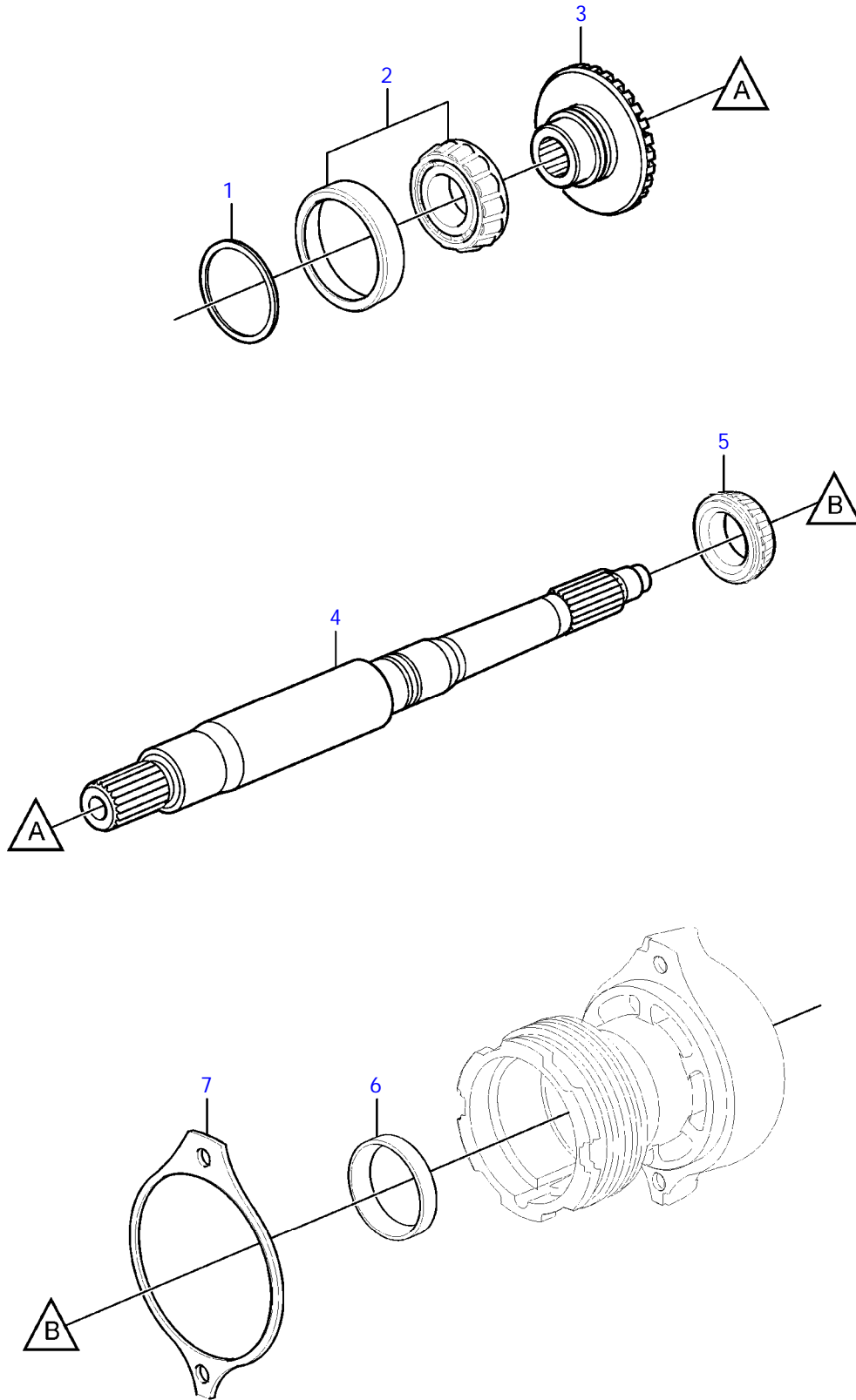
19622



SX-A

REF	PART NO.	QTY	DESCRIPTION	NOTES
1	3852268	1	Splined sleeve	
2	3855636	1	Retainer	
3	3854250	1	Roller bearing	
4	3854249	1	Roller bearing	
5	3852889	1	Shim	TH=0.003"
	3852890	1	Shim	TH=0.004"
	3852891	1	Shim	TH=0.005"
	3852892	1	Shim	TH=0.010"
6	3851342	1	Countershaft	
7	3853934	1	Bearing	
8	3883615	1	Gear set	1.43:1
	3883616	1	Gear set	1.51:1 & 1.79:1
	3883617	1	Gear set	1.60:1 & 1.89:1
	3883618	1	Gear set	1.66:1 & 1.97:1
	3883619	1	Gear set	2.18:1
9	3851003	1	Nut	

SX-A

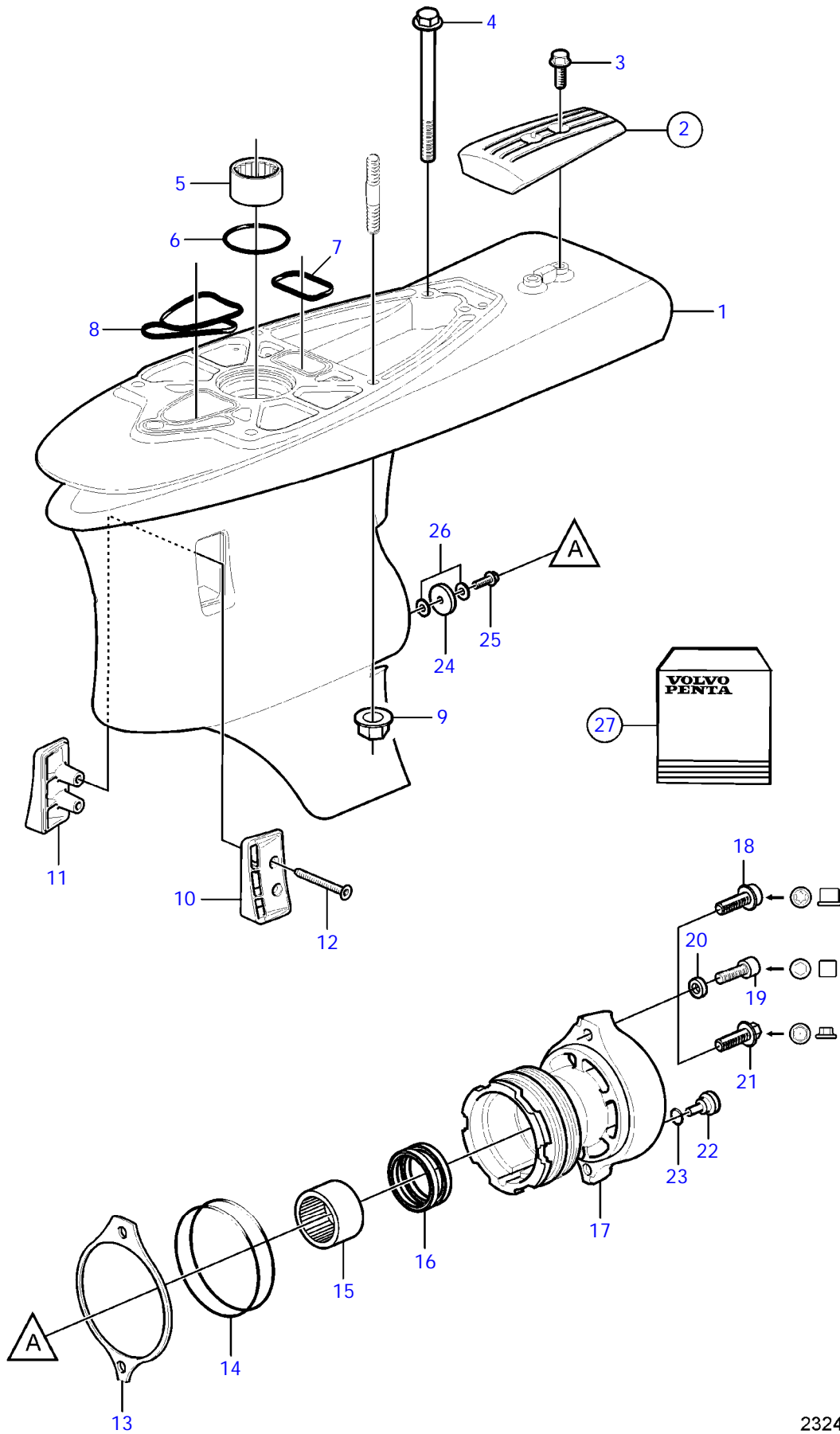


23250

SX-A

REF	PART NO.	QTY	DESCRIPTION	NOTES
1	3888343	1	Shim	TH=0.002"
	3888344	1	Shim	TH=0.003"
	3888345	1	Shim	TH=0.004"
	3888346	1	Shim	TH=0.005"
	3888347	1	Shim	TH=0.010"
2	3859037	1	Bearing	replaced by next part number
	994697	1	Roller bearing	
3	3883615	1	Gear set	1.43:1
	3883616	1	Gear set	1.51:1 & 1.79:1
	3883617	1	Gear set	1.60:1 & 1.89:1
	3883618	1	Gear set	1.66:1 & 1.97:1
	3883619	1	Gear set	2.18:1
4	3841871	1	Propeller shaft	
5	3854249	1	Roller bearing	
6		1	* Cup	
7	3883814	1	Shim	TH=0.004"
	3883815	1	Shim	TH=0.15mm
	3883817	1	Shim	TH=0.010"
	3883818	1	Shim	TH=0.35mm

DPS-A



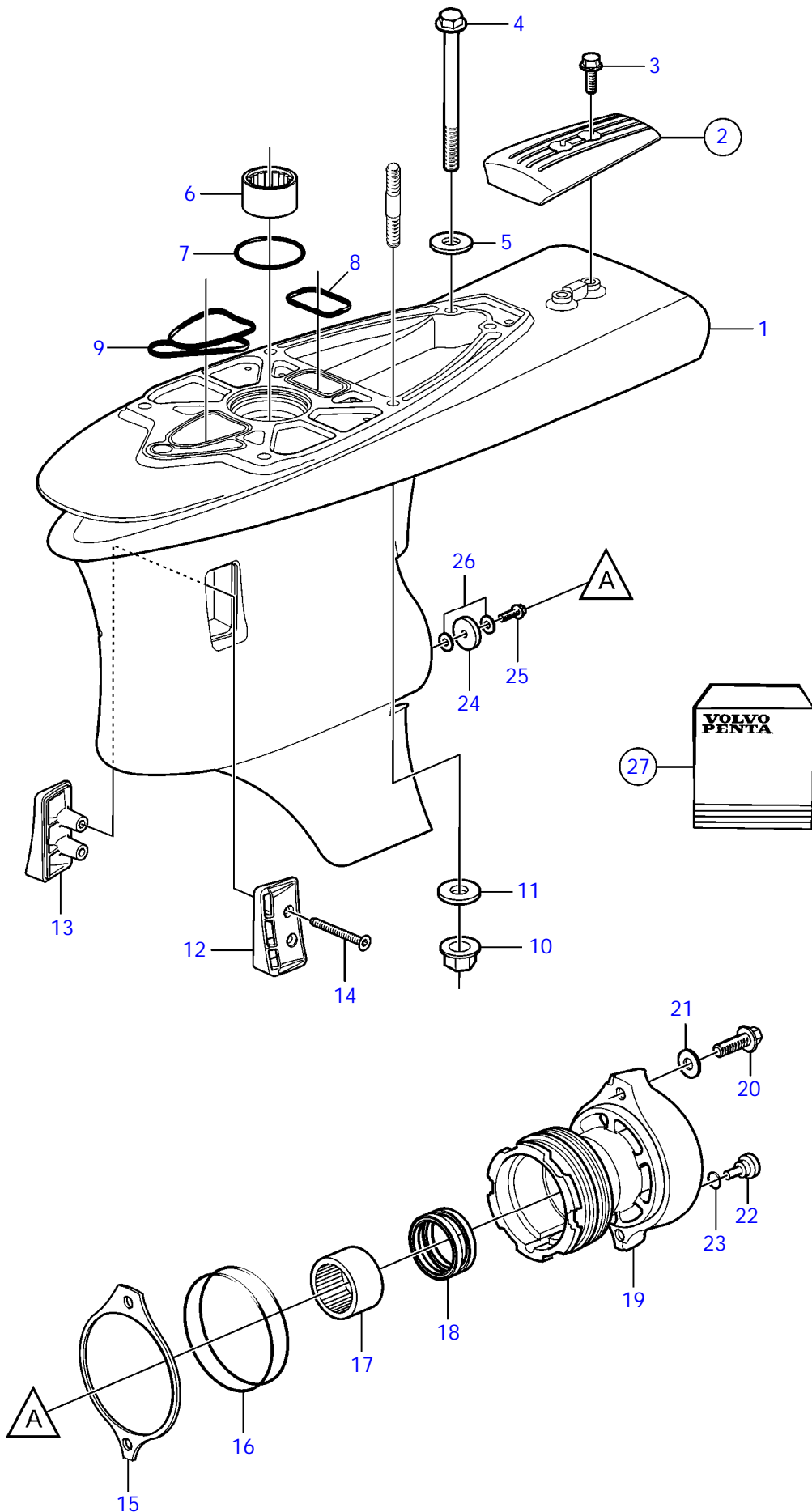
23248



DPS-A

REF	PART NO.	QTY	DESCRIPTION	SEE SEC.	NOTES
1	3842840	1	Gear housing		replaced by next part number
	21119779	1	Gear housing		
2	3888813	1	Anode kit, aluminum		
	3888814	1	Anode kit, zinc		
	3888815	1	Anode kit, magnesium		
3		2	• Screw		
4	990860	2	Flange screw		
5	184654	1	Needle roller bushin		
6	3852866	1	O-ring		
7	3841968	1	Gasket		replaced by next part number
	3889786	1	Gasket		
8	3841966	1	Gasket		replaced by next part number
	3889784	1	Gasket		
9	984054	4	Flange lock nut		
10	3841960	1	Water inlet		
11	3841962	1	Water inlet		
12	3887570	2	Allen head sunk scre		
13	3883814	1	Shim		TH=0.004"
	3883815	1	Shim		TH=0.15mm
	3883817	1	Shim		TH=0.010"
	3883818	1	Shim		TH=0.35mm
14	925259	2	O-ring		
15	183859	1	Needle roller bushin		
16	851407	2	Sealing ring		
17	3843299	1	Bearing carrier		replaced by next part number
			• Bulletin P-44-1-16	P-44-1-16-EN	Drive Service Kits
17	21141698	1	Bearing carrier		
18		2	Screw, torx		Use 1 ea. 984275 and 1 ea. 3888785 to replace screw.
19	984275	2	Hex. socket screw		
20	3888785	2	Spacer		
21		2	Screw, flange		Use 1 ea. 984275 and 1 ea. 3888785 to replace screw.
22	3854539	1	Plug		
23	3855081	1	• O-ring		
24	854096	1	Magnet		
25	990857	1	Flange screw		
26	3852193	2	Washer		
27	3888822	1	Gasket kit	9943	DPS-A

DPS-A OXi



24921

Upd:2011-02-16

24921

7746270-44-35833

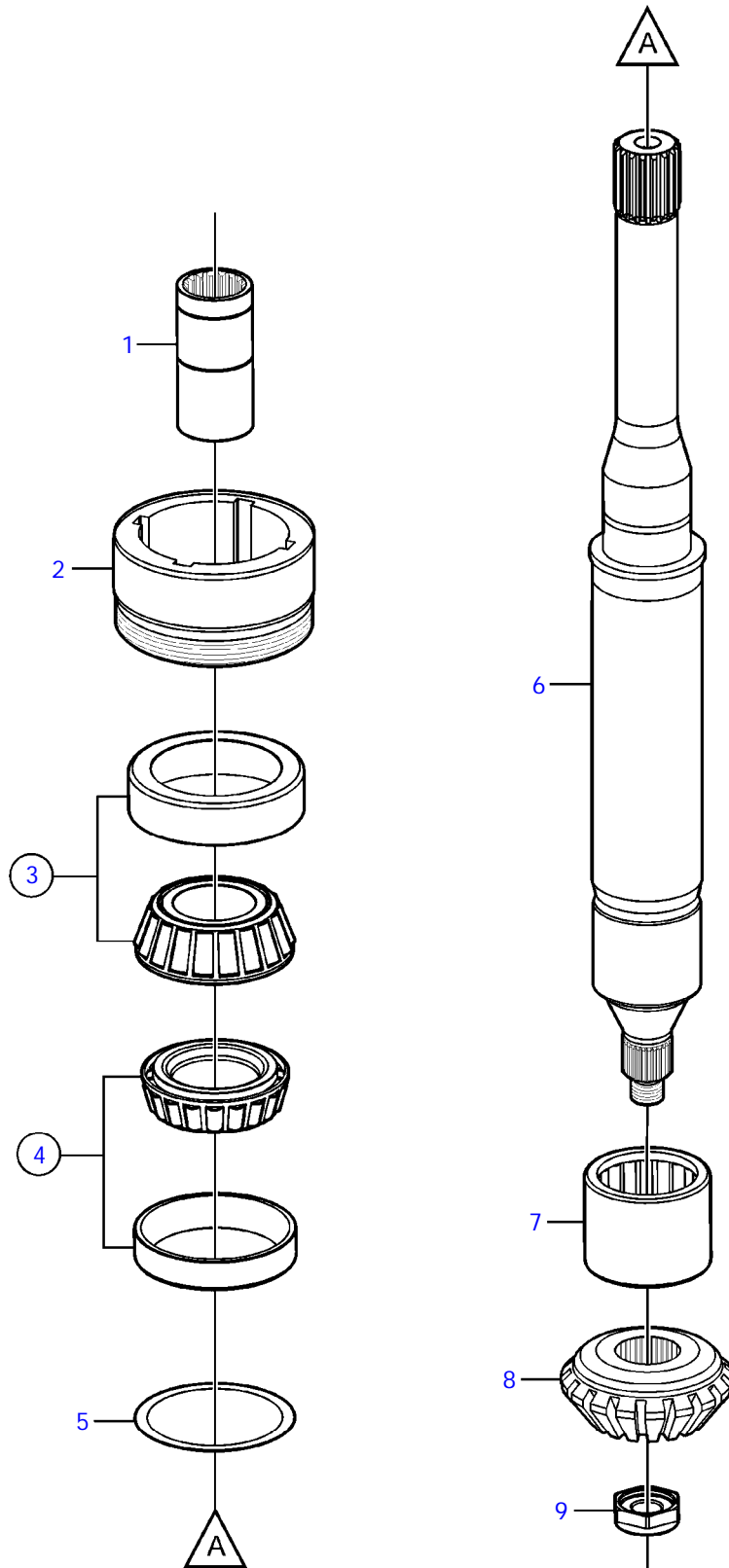


SX-A, DPS-A, DPS-A OXi, SX-A 1.43, SX-A 1.51, SX-A 1.60, SX-A 1.66, SX-A 1.79, SX-A 1.89, SX-A 1.97, SX-A 2.18, SX-AAC, SX-AACLT

DPS-A OXi

REF	PART NO.	QTY	DESCRIPTION	SEE SEC.	NOTES
1	21120512	1	Gear housing		
2	3888813	1	Anode kit, aluminum		
	3888814	1	Anode kit, zinc		
	3888815	1	Anode kit, magnesium		
3		2	• Screw		
4	990860	2	Flange screw		
5	980933	2	Washer		
6	184654	1	Needle roller bushin		
7	3852866	1	O-ring		
8	3889786	1	Gasket		
9	3889784	1	Gasket		
10	984054	4	Flange lock nut		
11	980933	4	Washer		
12	3841960	1	Water inlet		
13	3841962	1	Water inlet		
14	3887570	2	Allen head sunk scre		
15	3883814	1	Shim		TH=0.004"
	3883815	1	Shim		TH=0.15mm
	3883817	1	Shim		TH=0.010"
	3883818	1	Shim		TH=0.35mm
16	925259	2	O-ring		
17	183859	1	Needle roller bushin		
18	851407	2	Sealing ring		
19	21141700	1	Bearing carrier		
20		2	Flange screw		Use 1 ea. 984275 and 1 ea. 3888785 to replace screw.
21		2	Washer		Use 1 ea. 984275 and 1 ea. 3888785 to replace screw.
22	3887005	1	Magnetic plug		
23	949187	1	• O-ring		
24	854096	1	Magnet		
25	990857	1	Flange screw		
26	955893	2	Washer		
27	3888822	1	Gasket kit	9943	DPS-A

DPS-A, DPS-A OXi

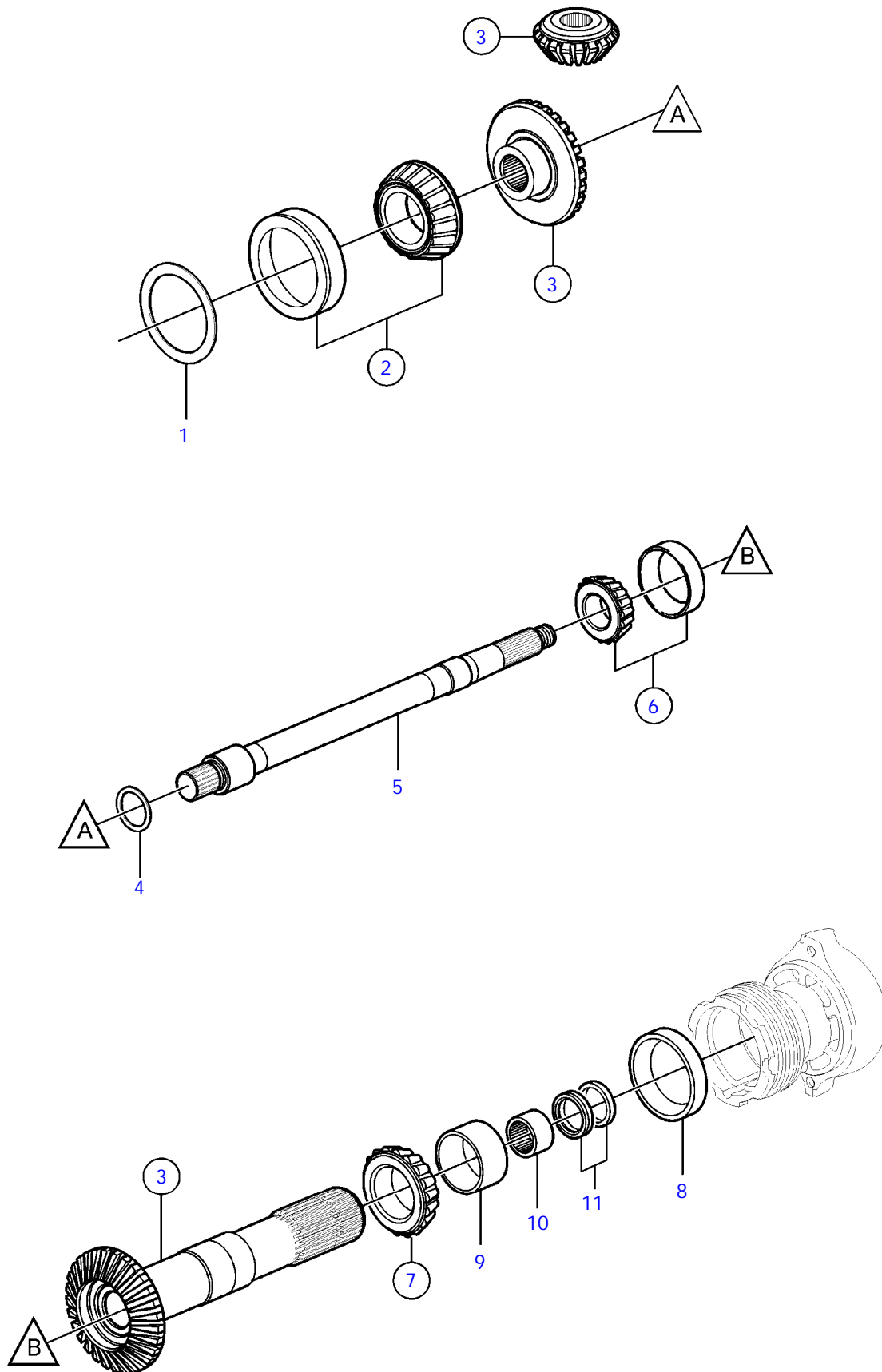


23249

DPS-A, DPS-A OXi

REF	PART NO.	QTY	DESCRIPTION	NOTES
1	3852268	1	Splined sleeve	
2	3855636	1	Retainer	
3	3854250	1	Roller bearing	
4	3854249	1	Roller bearing	
5	3852889	1	Shim	TH=0.003"
	3852890	1	Shim	TH=0.004"
	3852891	1	Shim	TH=0.005"
	3852892	1	Shim	TH=0.010"
6	3841867	1	Countershaft	
7	184654	1	Needle roller bushin	
8	3860894	1	Gear set	1.68:1
	3861861	1	Gear set	2.11:1 & 1.78:1
	3860904	1	Gear set	2.32:1, 2.14:1, 1.95:1
9	852212	1	Nut	

DPS-A, DPS-A OXi

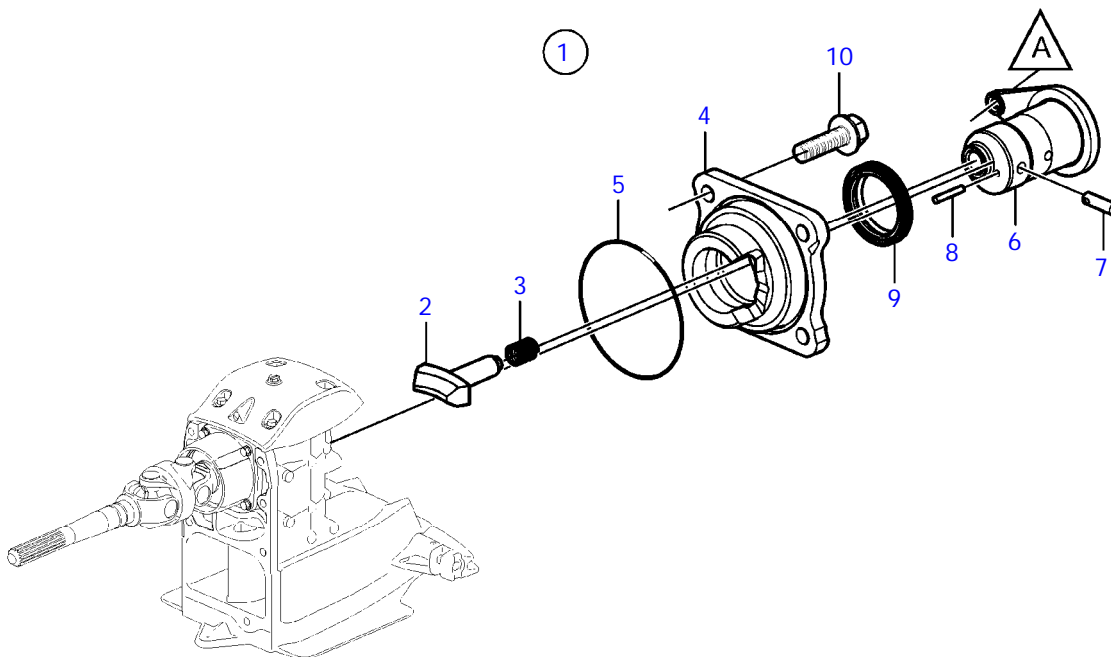
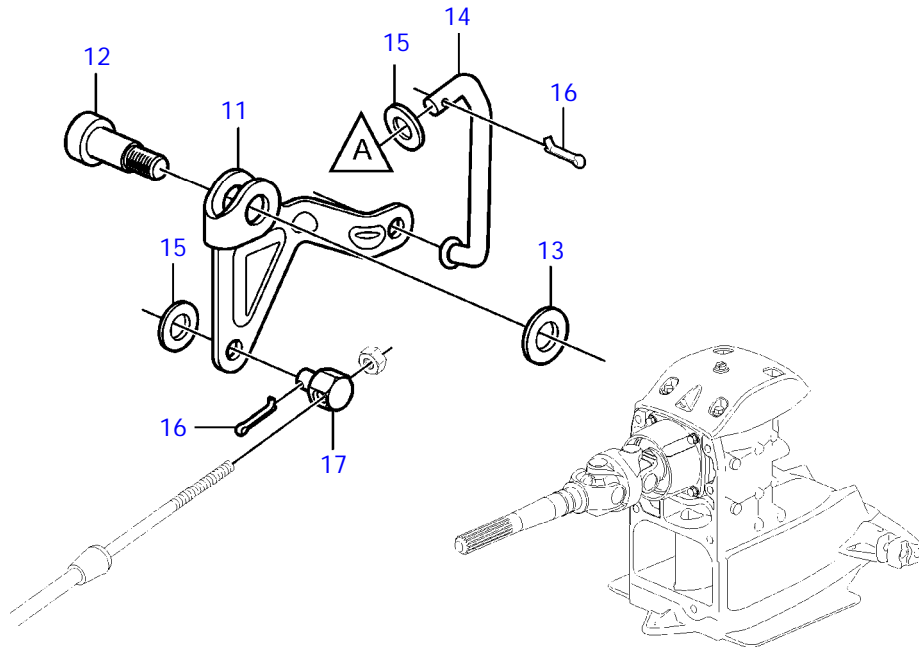


23251

DPS-A, DPS-A OXi

REF	PART NO.	QTY	DESCRIPTION	NOTES
1	3888343	1	Shim	TH=0.002"
	3888344	1	Shim	TH=0.003"
	3888345	1	Shim	TH=0.004"
	3888346	1	Shim	TH=0.005"
	3888347	1	Shim	TH=0.010"
	3888348	1	Shim	TH=0.015"
2	3859037	1	Bearing	replaced by next part number
	994697	1	Roller bearing	
3	3860894	1	Gear set	1.68:1
	3861861	1	Gear set	2.11:1, 1.78:1
	3860904	1	Gear set	2.32:1, 2.14:1, 1.95:1
4	3886895	1	Shim	TH=0.105"
	3886896	1	Shim	TH=2,69mm
	3886897	1	Shim	TH=2,74mm
	3886898	1	Shim	TH=2,77mm
	3886899	1	Shim	TH=0.111
	3886900	1	Shim	TH=0.116"
	3886901	1	Shim	TH=0.118"
	3886902	1	Shim	TH=0.119"
	3886903	1	Shim	TH=0.120"
	3886904	1	Shim	TH=0.122"
	3886905	1	Shim	TH=3,12mm
5	3841869	1	Propeller shaft	
6	3859038	1	Bearing	
7	184765	1	Roller bearing	
8		1	• Cup	Not sold separately
9	184683	1	Inner ring	
10	183272	1	Needle roller bushin	
11	853871	1	Sealing ring	
	853807	1	• Sealing ring	
	853808	1	• Sealing ring	

SX-A, DPS-A

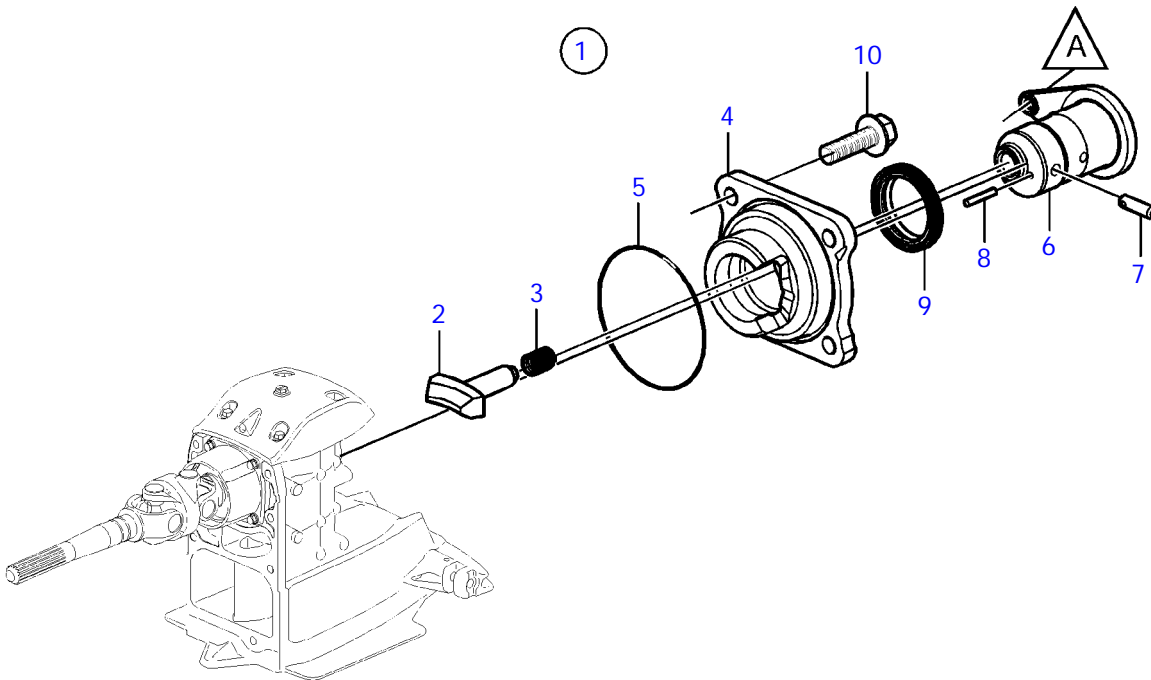
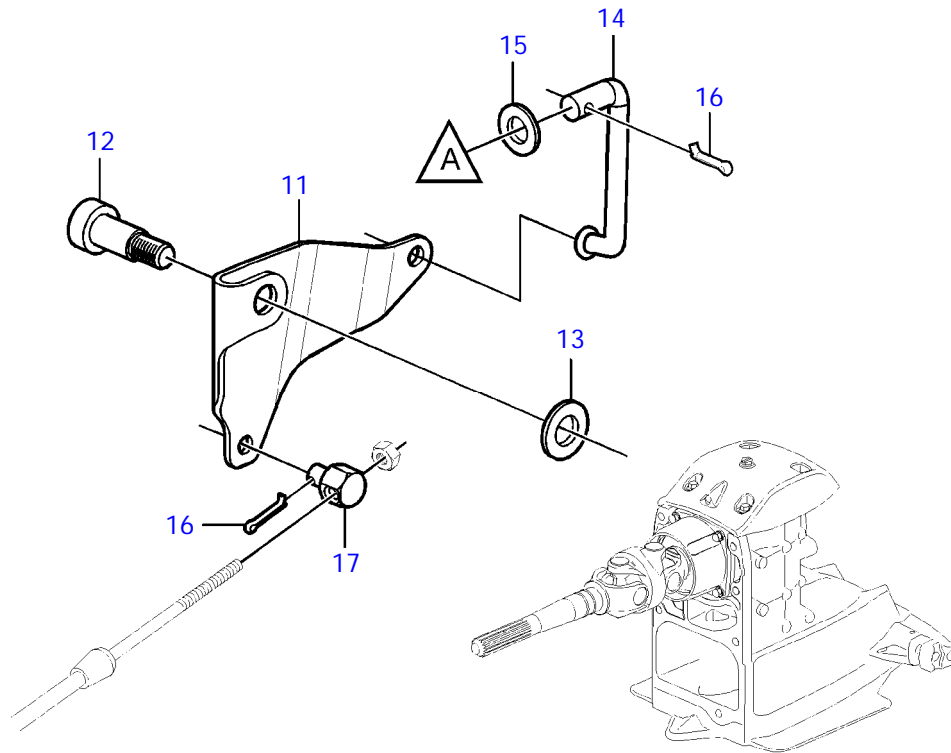


23252

SX-A, DPS-A

REF	PART NO.	QTY	DESCRIPTION	NOTES
1	3843471	1	Shift mechanism	
2		1	• Shoe	Not sold separately
3	814184	1	• Spring	
4		1	• Housing	Not sold separately
5	925093	1	• O-ring	
6		1	• Eccentric piston	Not sold separately
7	3862867	1	• Pin	
8	951936	1	• Spring pin	
9	3863085	1	• Sealing ring	
10	990859	4	Flange screw	
11	3841112	1	Bracket	
12	3886432	1	Shoulder screw	
13	3887872	1	Wear washer	
14	3841112	1	Bracket	
15	3852193	2	Washer	
16	3854480	2	Split pin	
17	3852329	1	Cube	

SX-A, DPS-A

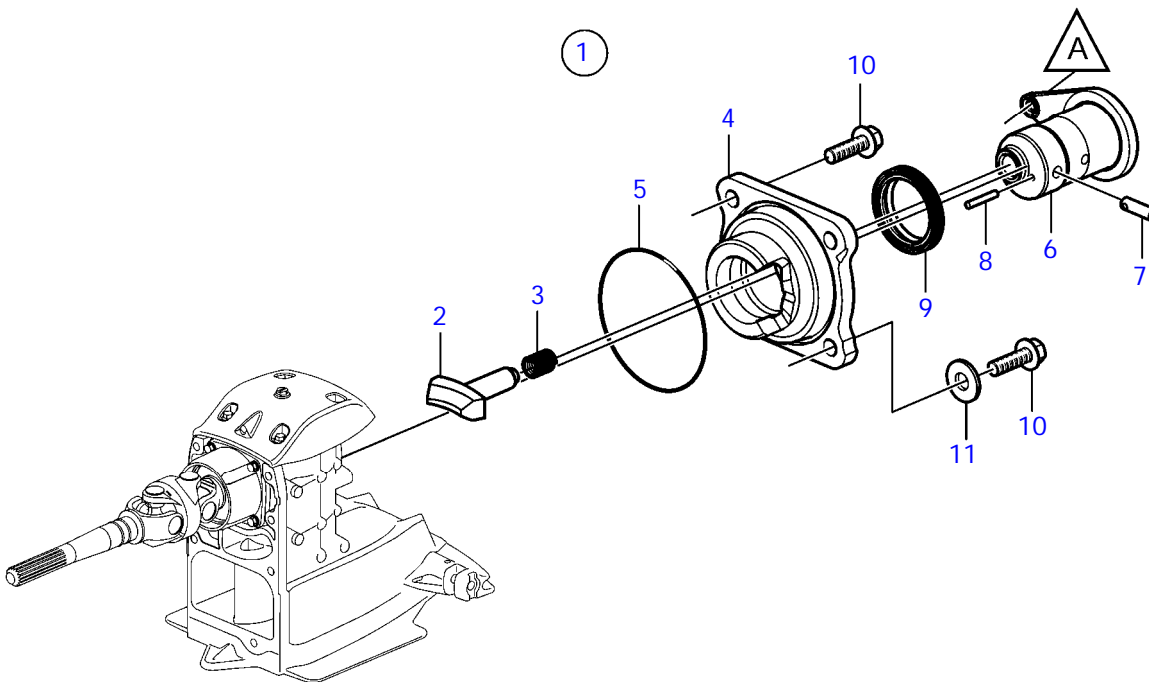
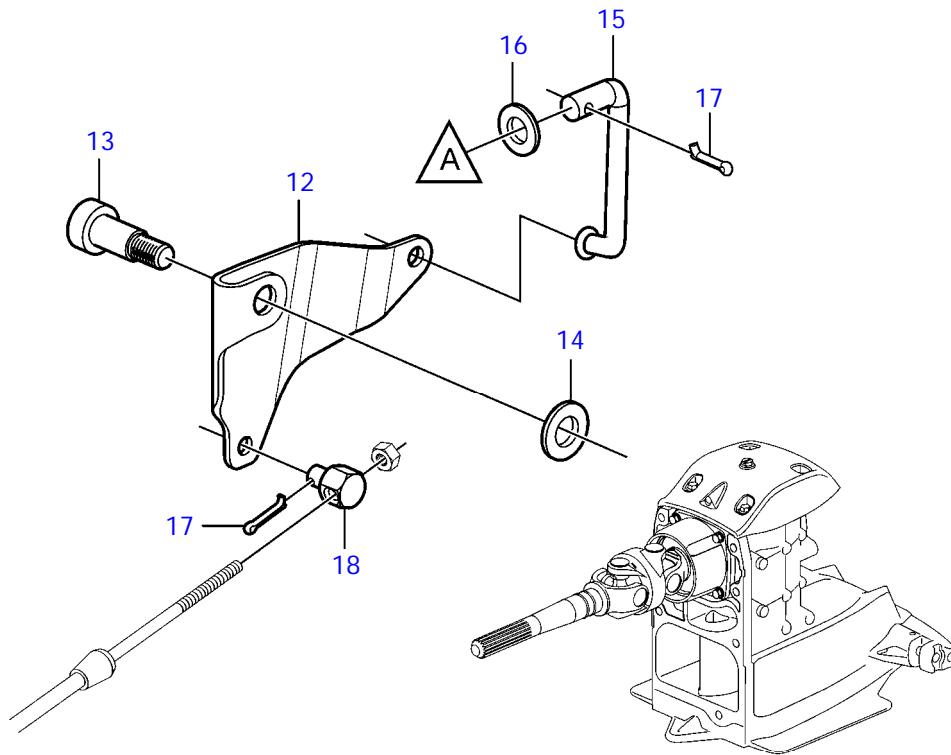


23627

SX-A, DPS-A

REF	PART NO.	QTY	DESCRIPTION	NOTES
1	3889982	1	Shift mechanism	
2		1	• Shoe	
3	814184	1	• Spring	
4		1	• Housing	
5	925093	1	• O-ring	
6		1	• Eccentric piston	
7	3862867	1	• Pin	
8	951936	1	• Spring pin	
9	3863085	1	• Sealing ring	
10	990859	4	Flange screw	
11	3889945	1	Bracket	
12	3886432	1	Shoulder screw	
13	3887872	1	Wear washer	
14	3847639	1	Link rod	replaced by next part number
	21407172	1	Rod	
15	3852193	1	Washer	
16	3854480	2	Split pin	
17	3852329	1	Cube	

DPS-A OXi

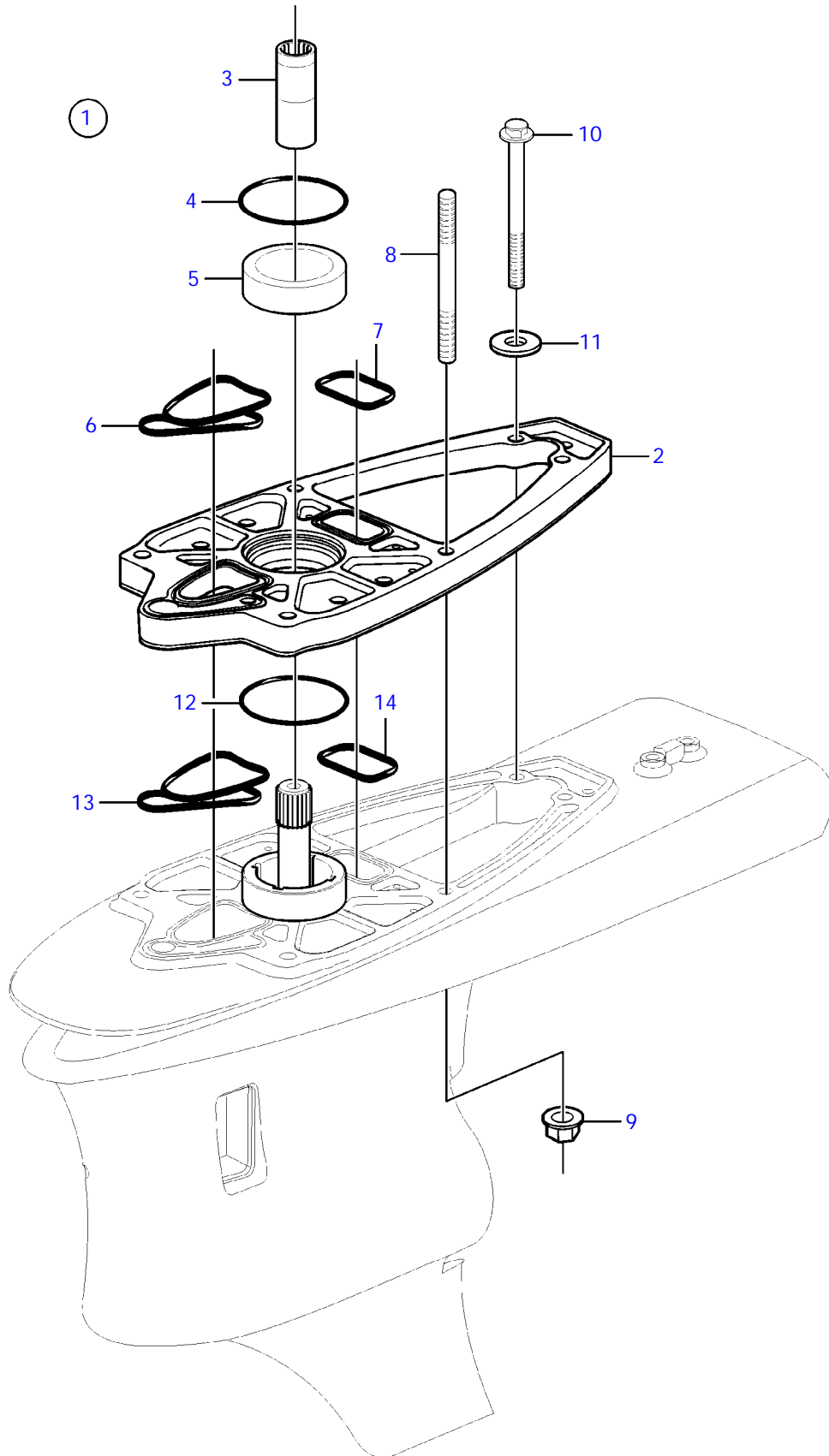


24920

DPS-A OXi

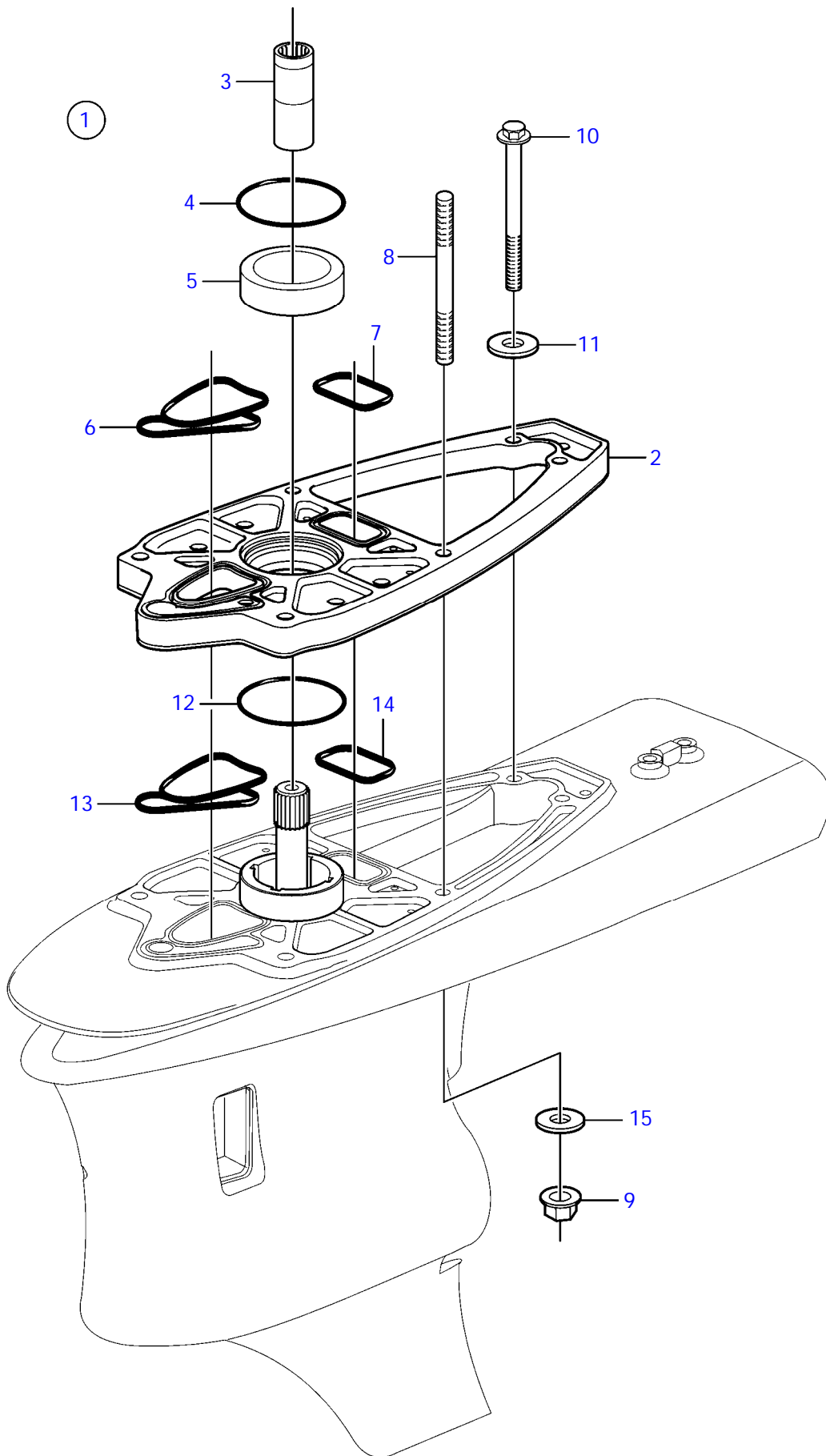
REF	PART NO.	QTY	DESCRIPTION
1	21256410	1	Shift mechanism
2	3843517	1	• Dog
3	814184	1	• Spring
4		1	• Bearing housing
5	925093	1	• O-ring
6		1	• Piston
7	3862867	1	• Pin
8	951936	1	• Spring pin
9	3863085	1	• Sealing ring
10	990859	4	Flange screw
11	982408	2	Washer
12	3889945	1	Bracket
13	3886432	1	Shoulder screw
14	3887872	1	Wear washer
15	21407172	1	Rod
16	3852193	1	Washer
17	3854480	2	Split pin
18	3852329	1	Cube

SX-A, DPS-A



23253

DPS-A OXi



24922

Upd:2011-02-16

24922

7746270-44-35832

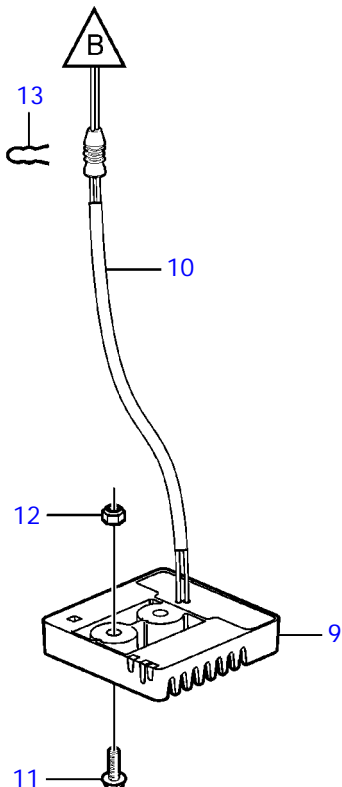
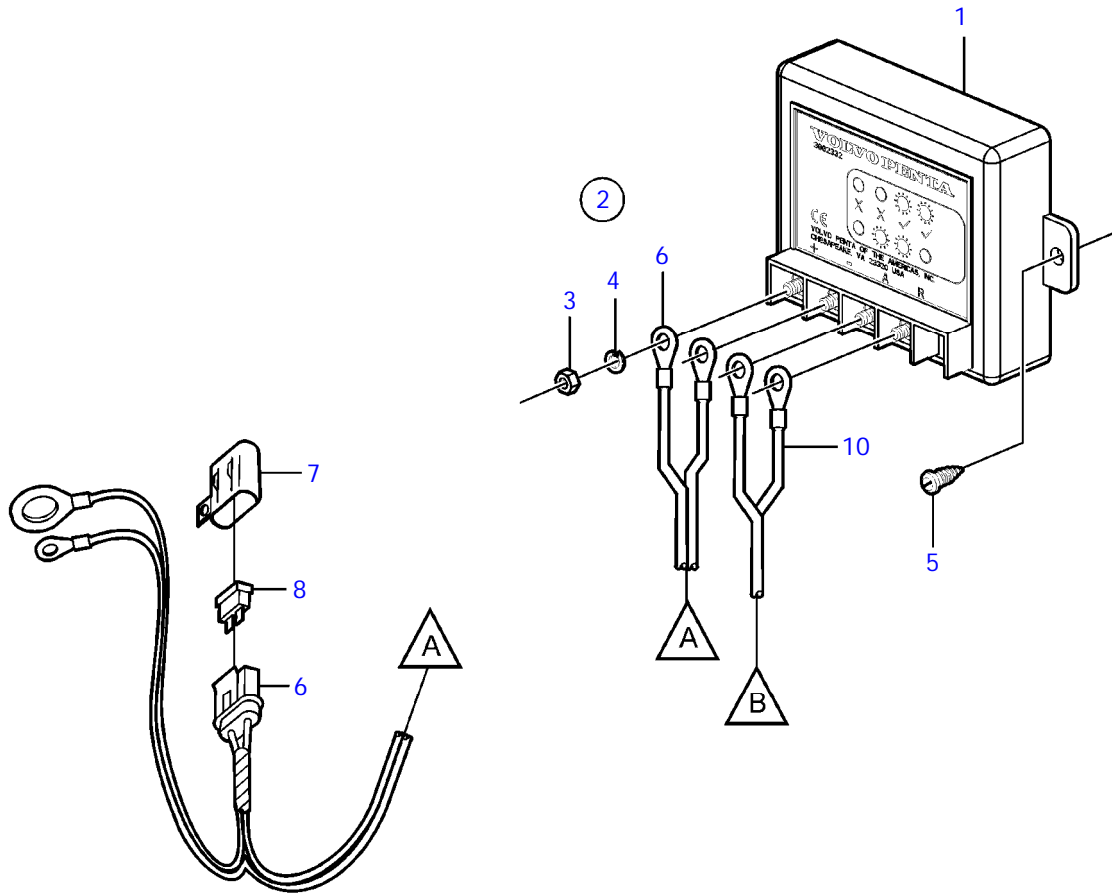


SX-A, DPS-A, DPS-A OXi, SX-A 1.43, SX-A 1.51, SX-A 1.60, SX-A 1.66, SX-A 1.79, SX-A 1.89, SX-A 1.97, SX-A 2.18, SX-AAC, SX-AACLT

DPS-A OXi

REF	PART NO.	QTY	DESCRIPTION
1	21326945	1	Kit
2		1	• Plate
3	854684	1	• Splined sleeve
4	3852866	1	• O-ring
5	3855633	1	• Retainer
6	3889784	1	• Gasket
7	3889786	1	• Gasket
8	21326988	4	• Stud
9	984054	4	• Flange lock nut
10	3888560	2	• Flange screw
11	942551	2	• Washer
12	3852866	1	O-ring
13	3889784	1	Gasket
14	3889786	1	Gasket
15	980933	4	Washer

SX-A, SX-AAC, SX-AAC, SX-AACLT32, SX-AACLT32, SX-AACLT42, SX-AACLT42, SX-ALT32, SX-ALT42, SXAACLT-OXi-32, SXAACLT-OXi-32, SXAACLT-OXi-42, SXAACLT-OXi-42, SX-OXi-AAC, SX-OXi-AAC

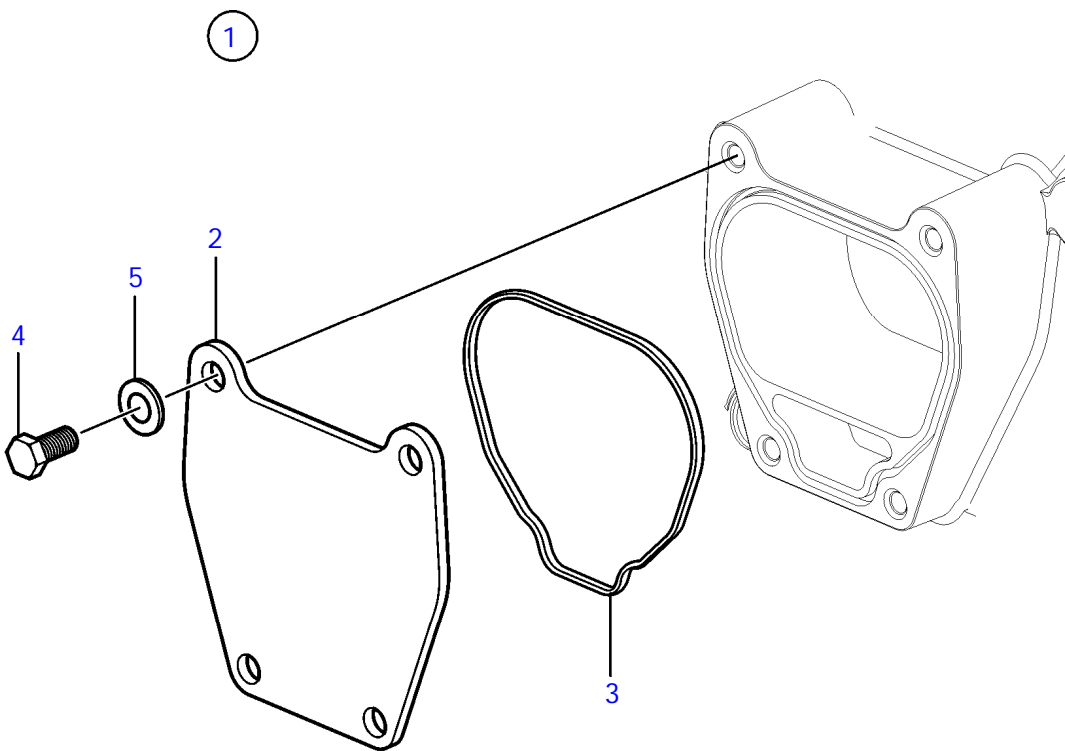


23254

SX-A, SX-AAC, SX-AAC, SX-AACT32, SX-AACT32, SX-AACT42, SX-AACT42, SX-ALT32, SX-ALT42, SXAACT-OXi-32, SXAACT-OXi-32, SXAACT-OXi-42, SXAACT-OXi-42, SX-OXi-AAC, SX-OXi-AAC

REF	PART NO.	QTY	DESCRIPTION	NOTES
1	3862332	1	Electronic unit	
2	3587790	1	Kit	
3	940119	4	• Hexagon nut	
4		4	• Lock washer	
5		2	• Screw	
6	3855793	1	Wiring harness	
7	8072808	1	• Cover	
8	983966	1	• Fuse	1 amp
9	3842997	1	Anode	
10		1	• Cable harness	
11	990857	2	Flange screw	
12	3842765	2	Nut	
13	3852555	1	Retainer	

SX-A, SX-AAC, SX-AACLT32, SX-AACLT42, SX-ALT32, SX-ALT42

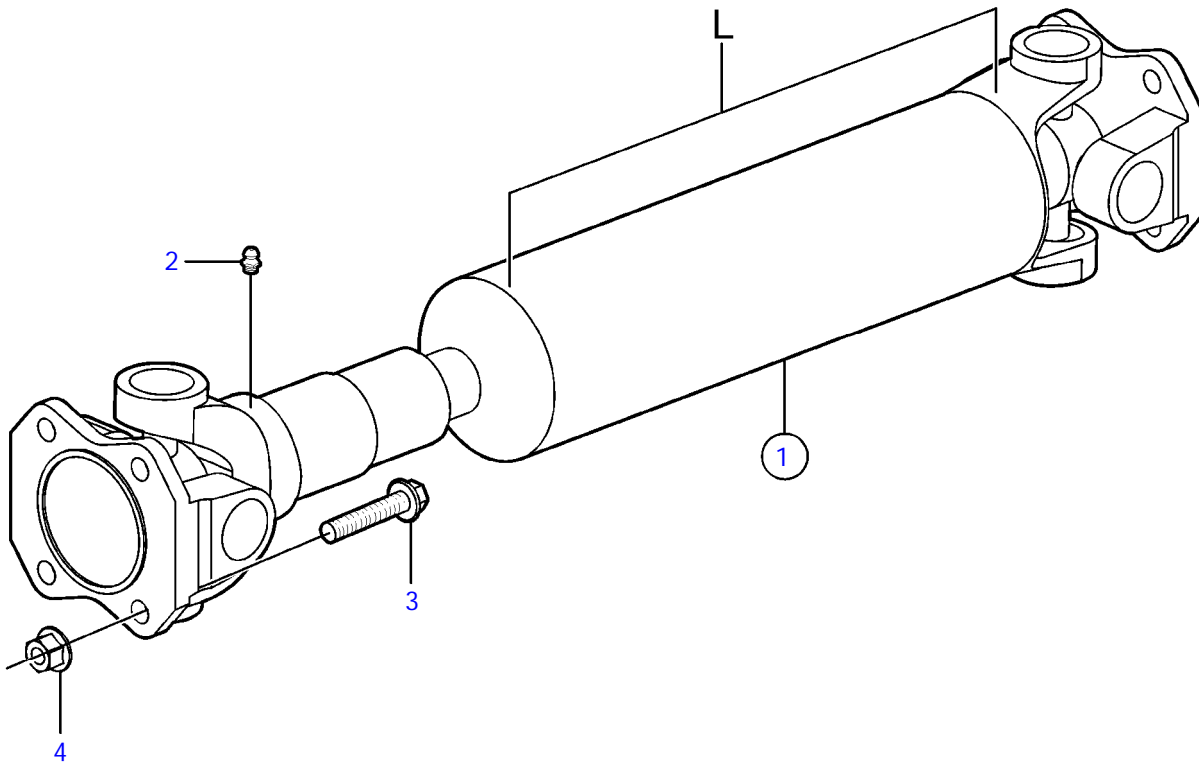


24118

SX-A, SX-AAC, SX-AACLT32, SX-AACLT42, SX-ALT32, SX-ALT42

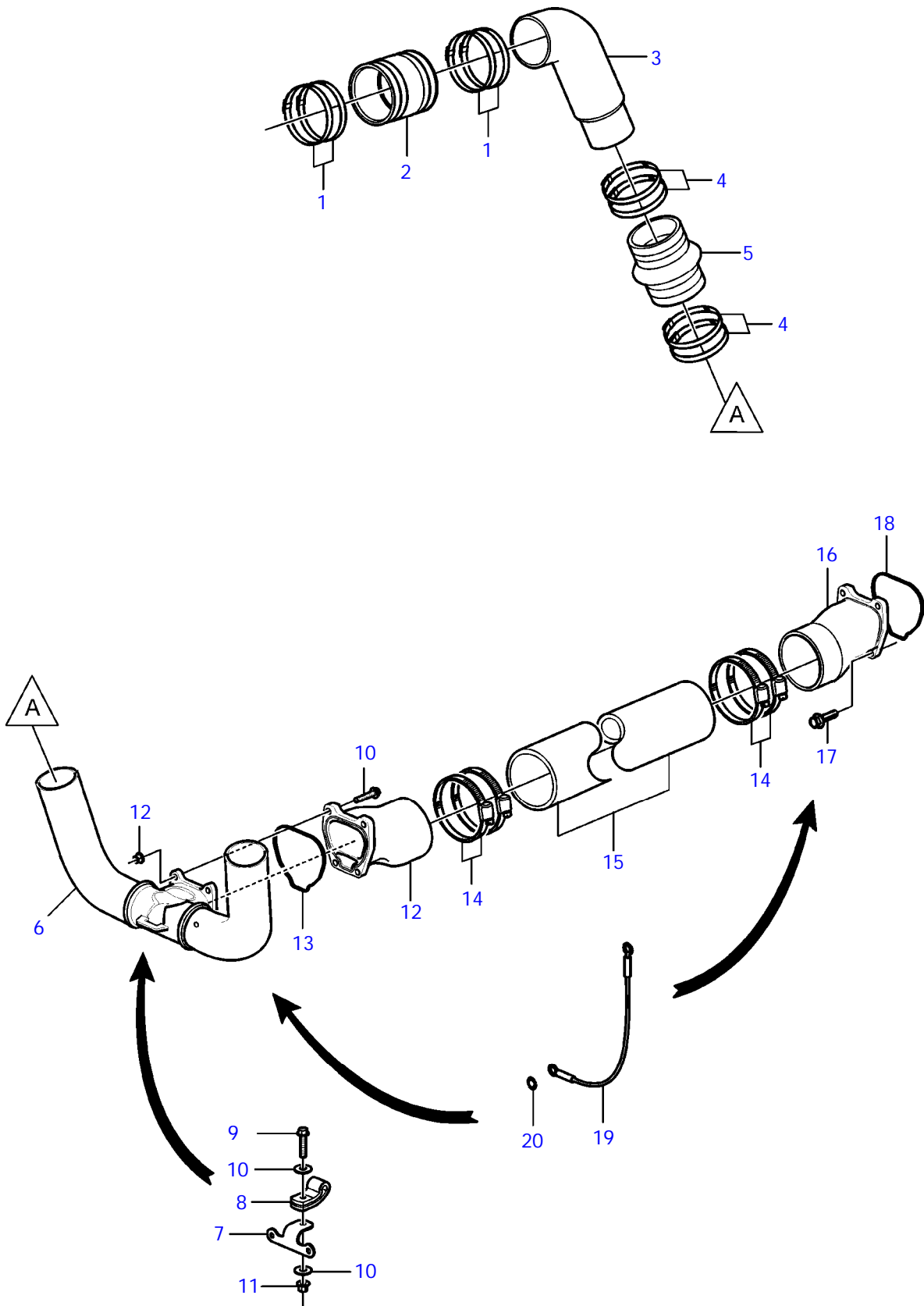
REF	PART NO.	QTY	DESCRIPTION	NOTES
1	3888819	1	Kit	
2		1	• Plate	Not sold separately
3	3841013	1	• Gasket	
4	3855227	4	• Hexagon screw	
5	3852002	4	• Spring washer	

SX-A, SX-AAC, SX-AACT32, SX-AACT42, SX-ALT32, SX-ALT42



20839

SX-A, SX-AAC, SX-AACLT32, SX-AACLT42, SX-ALT32, SX-ALT42

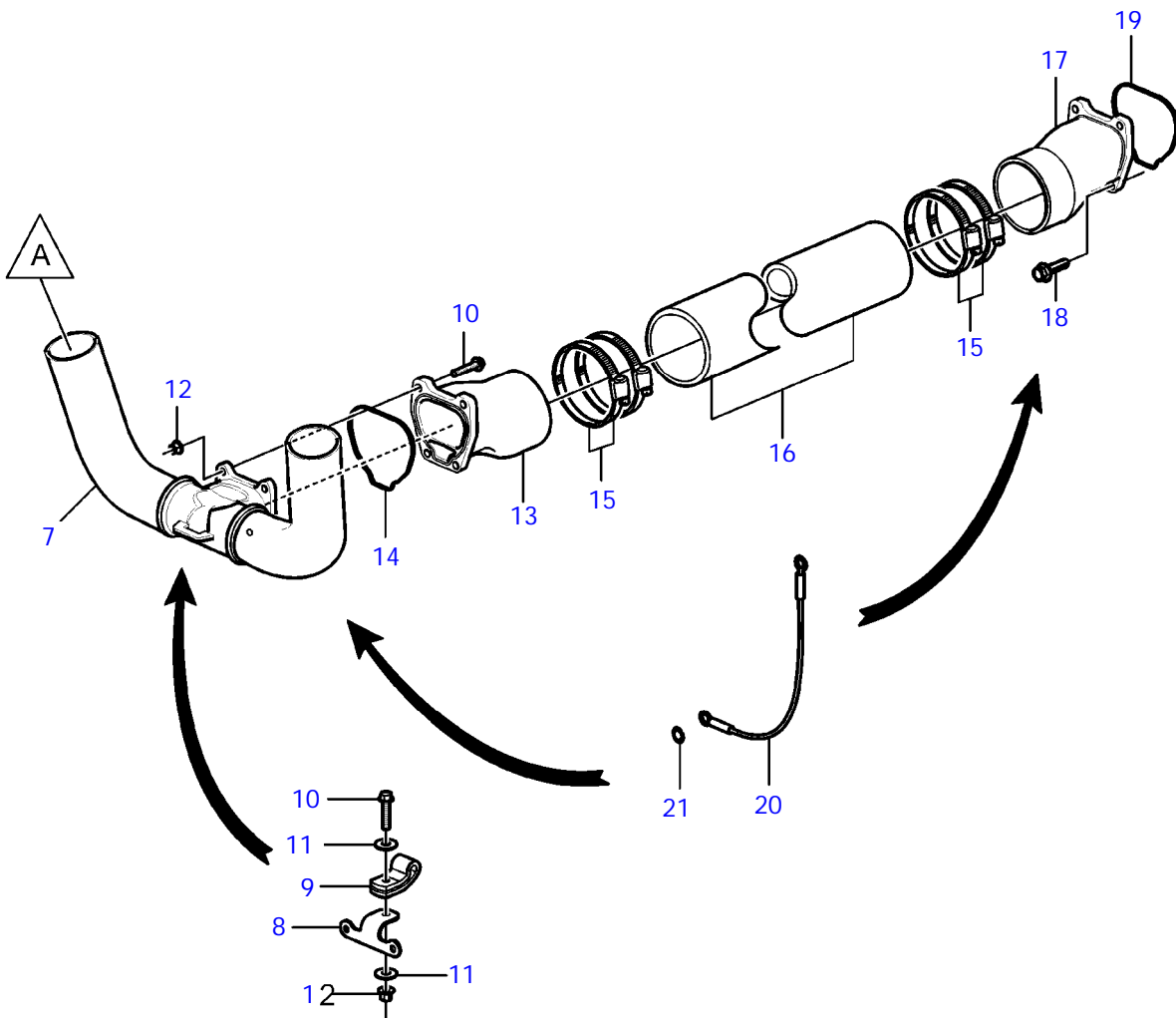
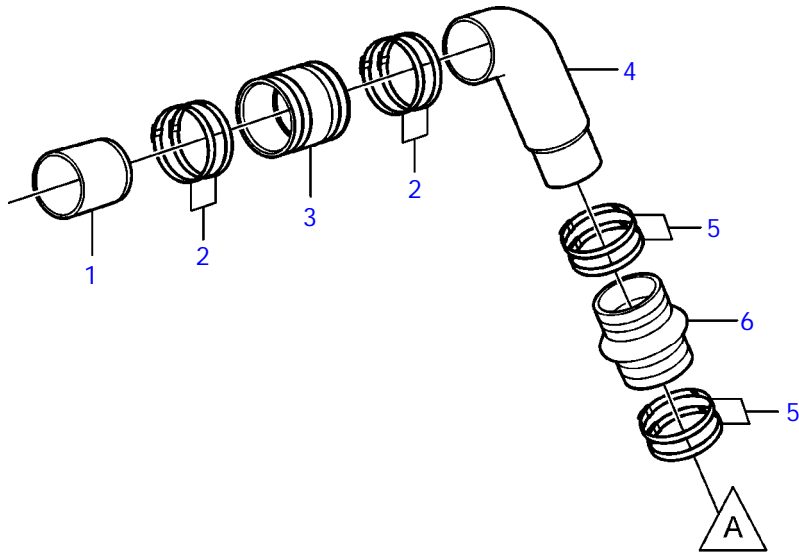


24225

SX-A, SX-AAC, SX-AACLT32, SX-AACLT42, SX-ALT32, SX-ALT42

REF	PART NO.	QTY	DESCRIPTION	NOTES
1	3863443	8	Hose clamp	
2	3852696	1	Hose	
3	3863189	2	Elbow	
4	3863442	8	Hose clamp	
5	3863450	2	Bellows	
6	3886419	1	Exhaust pipe	
7	(3862519)	1	Bracket	Obsolete part
8	(3862518)	1	Strap	Obsolete part
9	965220	5	Flange screw	
10	944633	2	Washer	
11	971098	5	Flange lock nut	
12	3886405	1	Exhaust pipe	
13	3841013	1	Gasket	
14	3843170	4	Hose clamp	
15		1	Hose, exhaust	Cut to length
16	3886407	1	Exhaust pipe	
17	3841928	4	Flange screw	
18	3841013	1	Gasket	
19	3853927	2	Chassie ground cable	
20	(3852070)	2	Washer	Obsolete part

SX-A, SX-AAC, SX-AACLT32, SX-AACLT42, SX-ALT32, SX-ALT42

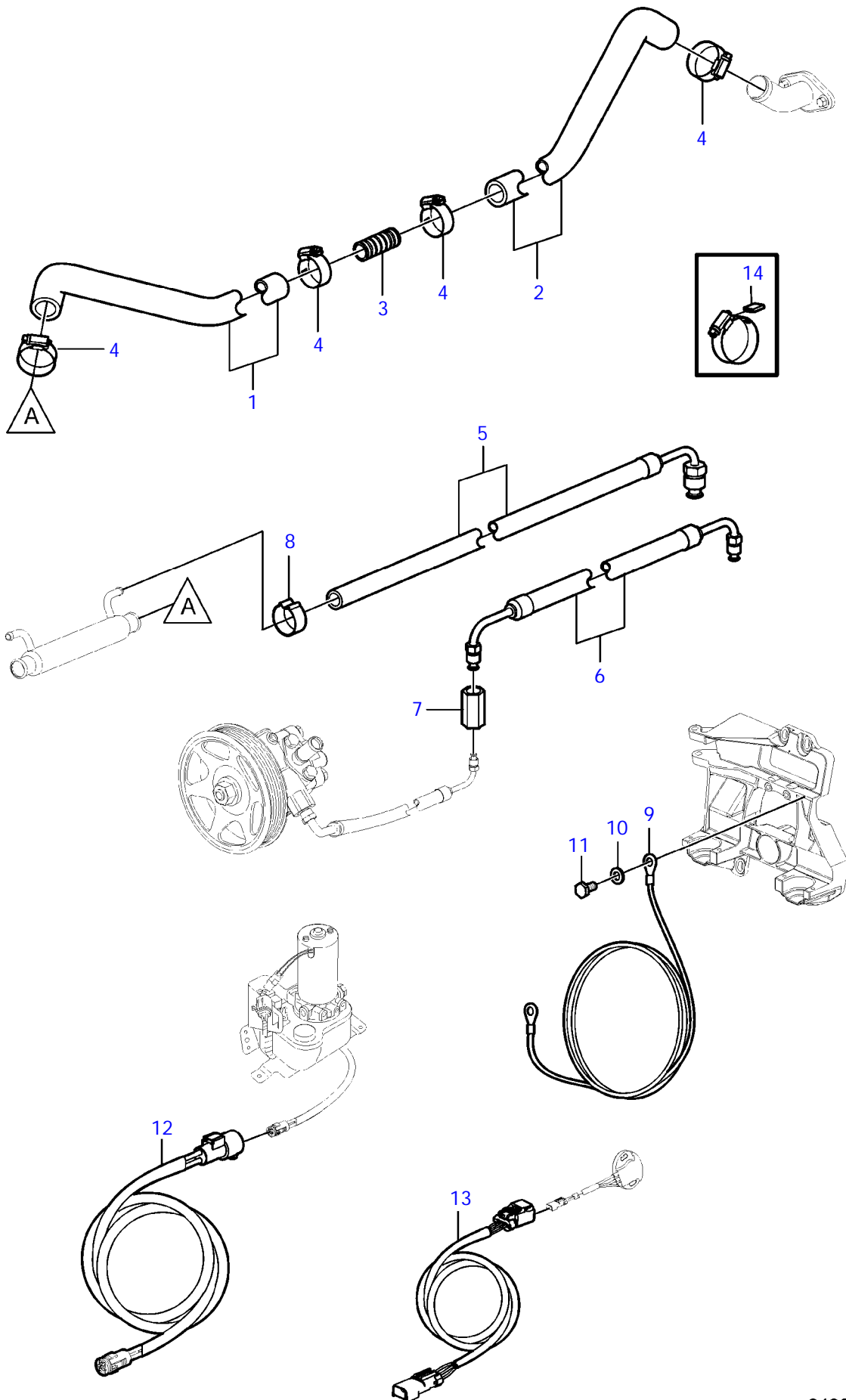


24227

SX-A, SX-AAC, SX-AACLT32, SX-AACLT42, SX-ALT32, SX-ALT42

REF	PART NO.	QTY	DESCRIPTION	NOTES
1	3862841	2	Pipe	
2	3863443	8	Hose clamp	
3	3852696	1	Hose	
4	3863189	2	Elbow	5.0L, 5.7L
	3847731	2	Exhaust pipe	8.1L
5	3863442	8	Hose clamp	
6	3863450	2	Bellows	
7	3886419	1	Exhaust pipe	
8	(3862519)	1	Bracket	Obsolete part
9	(3862518)	1	Strap	Obsolete part
10	965220	5	Flange screw	
11	944633	2	Washer	
12	971098	5	Flange lock nut	
13	3886405	1	Exhaust pipe	
14	3841013	1	Gasket	
15	3843170	4	Hose clamp	
16		1	Hose, exhaust	Cut to length
17	3886407	1	Exhaust pipe	
18	3841928	4	Flange screw	
19	3841013	1	Gasket	
20	3853927	2	Chassie ground cable	
21	(3852070)	2	Washer	Obsolete part

SX-A, SX-AAC, SX-AACLT32, SX-AACLT42, SX-ALT32, SX-ALT42



24229

Upd:2011-02-16

24229

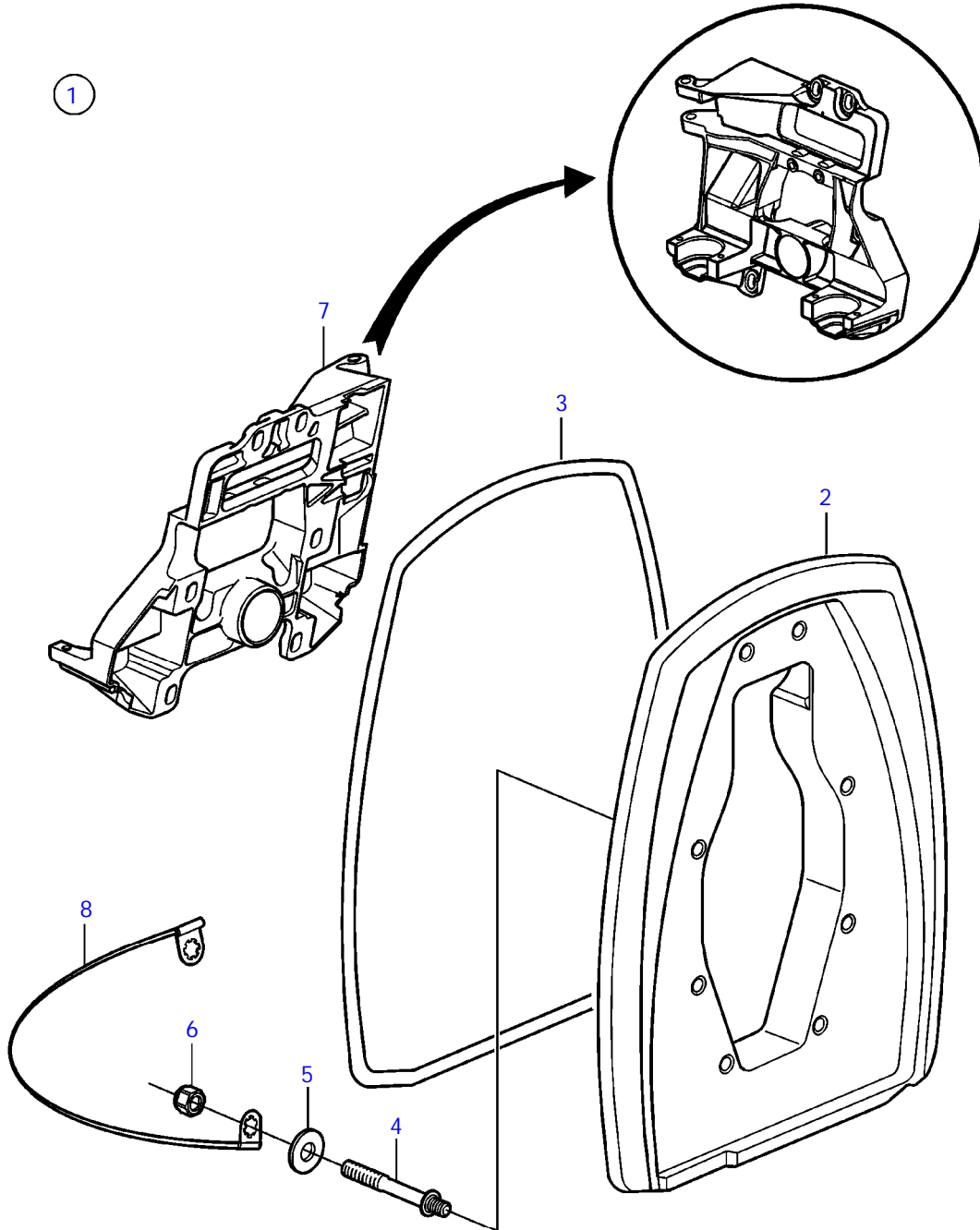
7746270-44-22381



SX-A, SX-AAC, SX-AACLT32, SX-AACLT42, SX-ALT32, SX-ALT42

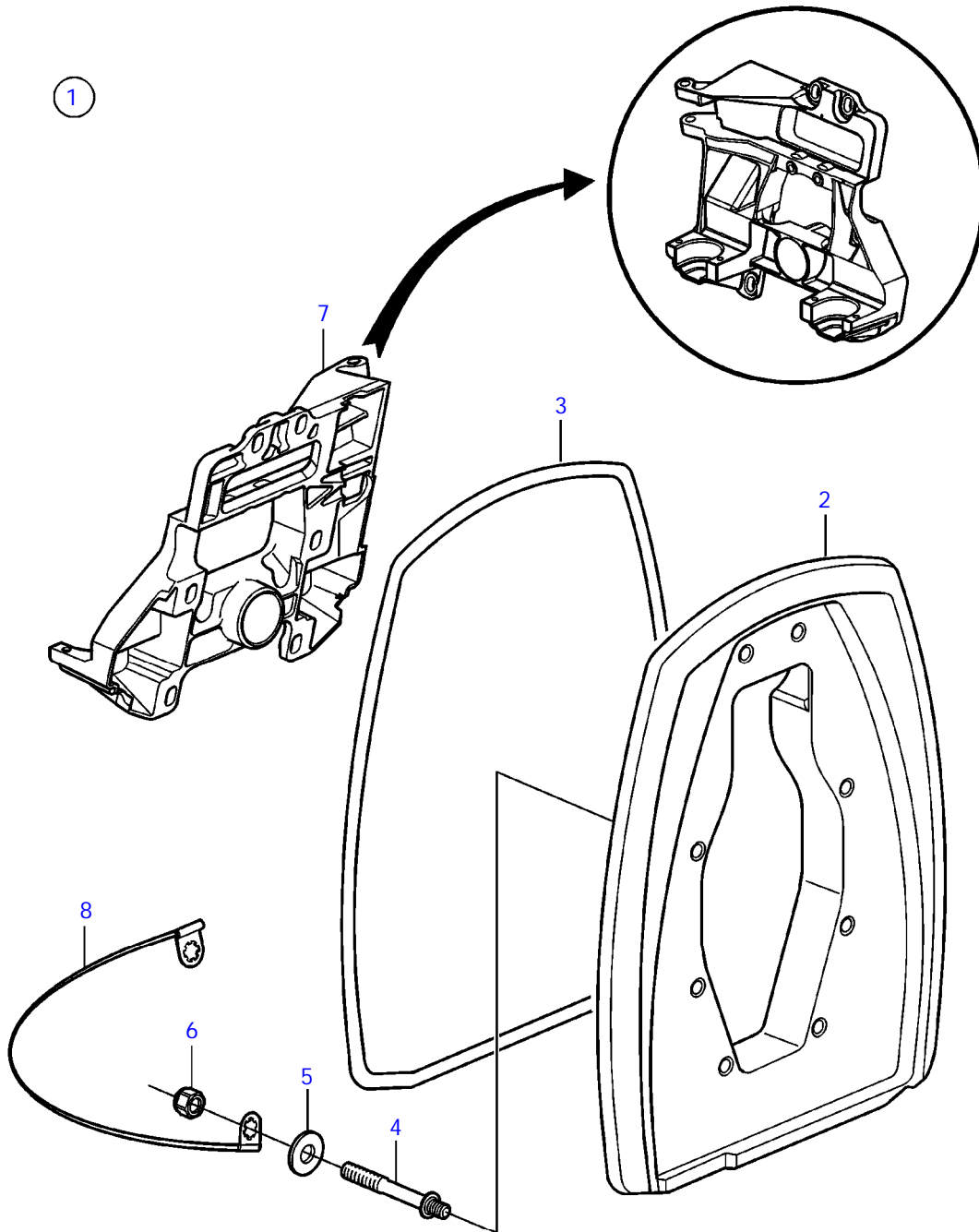
REF	PART NO.	QTY	DESCRIPTION	NOTES
1	3860824	1	Hose	Cut to length
2	3843007	1	Hose	Cut to length
3	3851594	1	Connection pipe	
4	3852602	4	Hose clamp	
5	3860830	1	Hose, return	
6	3860831	1	Hose, pressure	
7	984378	1	Nipple	
8	982663	1	Hose clamp	
9	(3862894)	1	Cable, ground	Obsolete part, L=3050mm
10	3852193	1	Washer	
11	3852050	1	Screw	
12	3842400	1	Wiring harness	Trim pump
13	3886946	1	Wiring harness	Trim sender, FCI connector
14	3858532	X	Cover, clamp	

SX-A, SX-A, SX-AAC, SX-AAC, SX-AACLT32, SX-AACLT32, SX-AACLT42, SX-AACLT42, SX-ALT32, SX-ALT32, SX-ALT42, SX-ALT42



24034

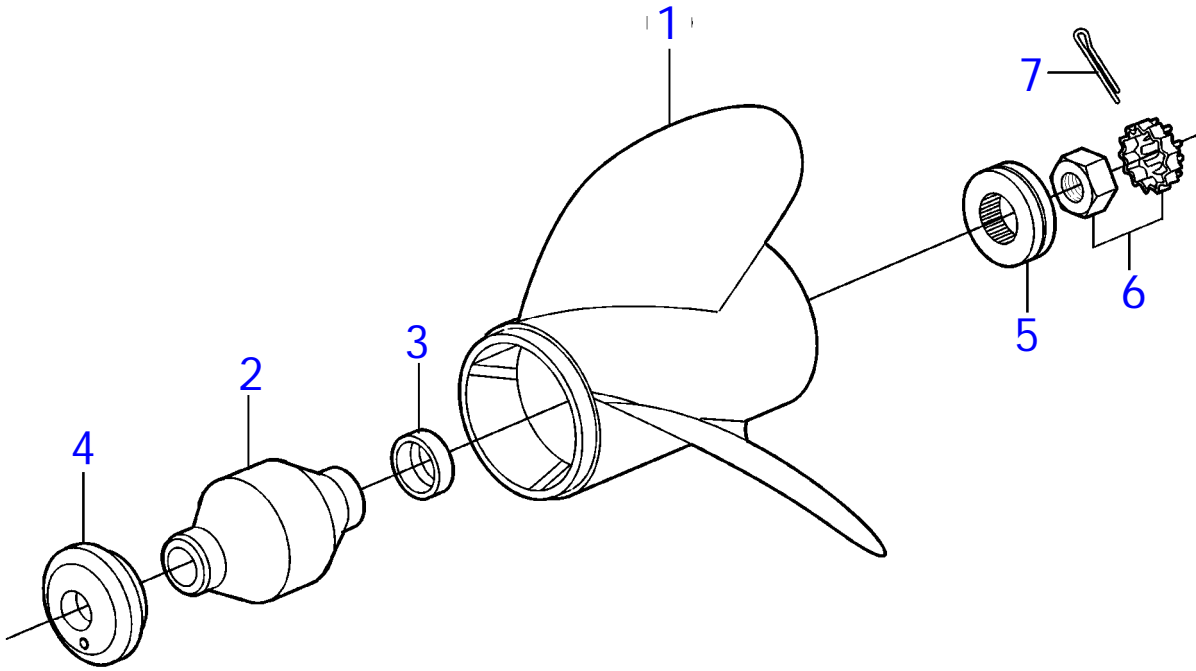
SXAACL-T-OXi-32, SXAACL-T-OXi-32, SXAACL-T-OXi-42, SXAACL-T-OXi-42, SX-OXi-AAC, SX-OXi-AAC



24034

SXAACL-T-OXi-32, SXAACL-T-OXi-32, SXAACL-T-OXi-42, SXAACL-T-OXi-42, SX-OXi-AAC, SX-OXi-AAC

REF	PART NO.	QTY	DESCRIPTION	NOTES
1	21327006	1	Kit	
2		1	• Adapter	
3		1	• • Seal	
4	3883255	8	• • Stud	
5	190878	8	• Washer	
6	3853329	8	• Nut	
7	3593817	1	• Plate	replaced by next part number
	21587626	1	• Plate	
8	3853928	1	• Chassie ground cable	

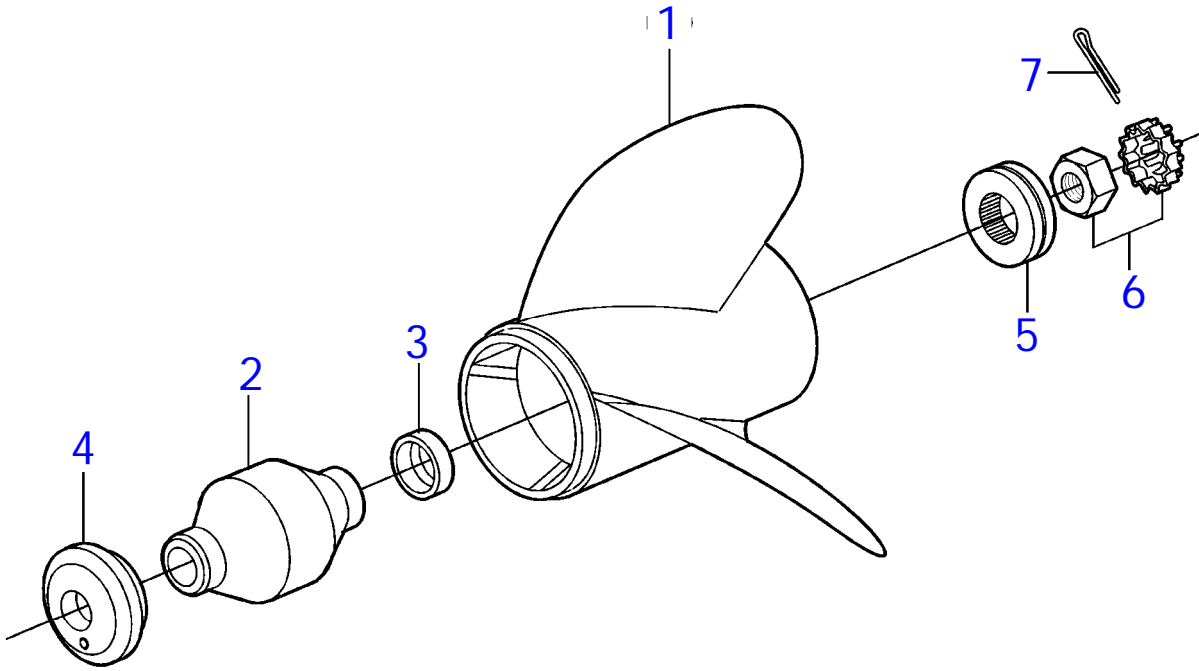


21270

SX-A

REF	PART NO.	QTY	DESCRIPTION	NOTES
1	3817469	1	Propeller	RH, 14.25 X 21
	3817470	1	Propeller	RH, 14.25 X 23
	3817468	1	Propeller	RH, 14.5 X 19
	3817473	1	Propeller	LH, 14.5 x 19
	3817467	1	Propeller	RH, 15 X 17
	3817472	1	Propeller	LH, 15 x 17
	3855476	1	Propeller	LH, 15.5 x 12
	3840720	1	Propeller	RH 16X13
	3855477	1	Propeller	LH, 15.5 x 13
	3855478	1	Propeller	LH, 15.5 x 14
	3817466	1	Propeller	RH, 15.5 X 15
	3855479	1	Propeller	LH, 15.5 x 15
	3817471	1	Propeller	LH, 15 x 15
2	3862086	1	• Bushing	
3	3850831	1	• • Sleeve	
4	3852020	1	Bushing	
5	3852350	1	Spacer	
6	3850984	1	Propeller nut	
		1	• Nut	
		1	• Retainer	
7	3852056	1	Split pin	

SX-A

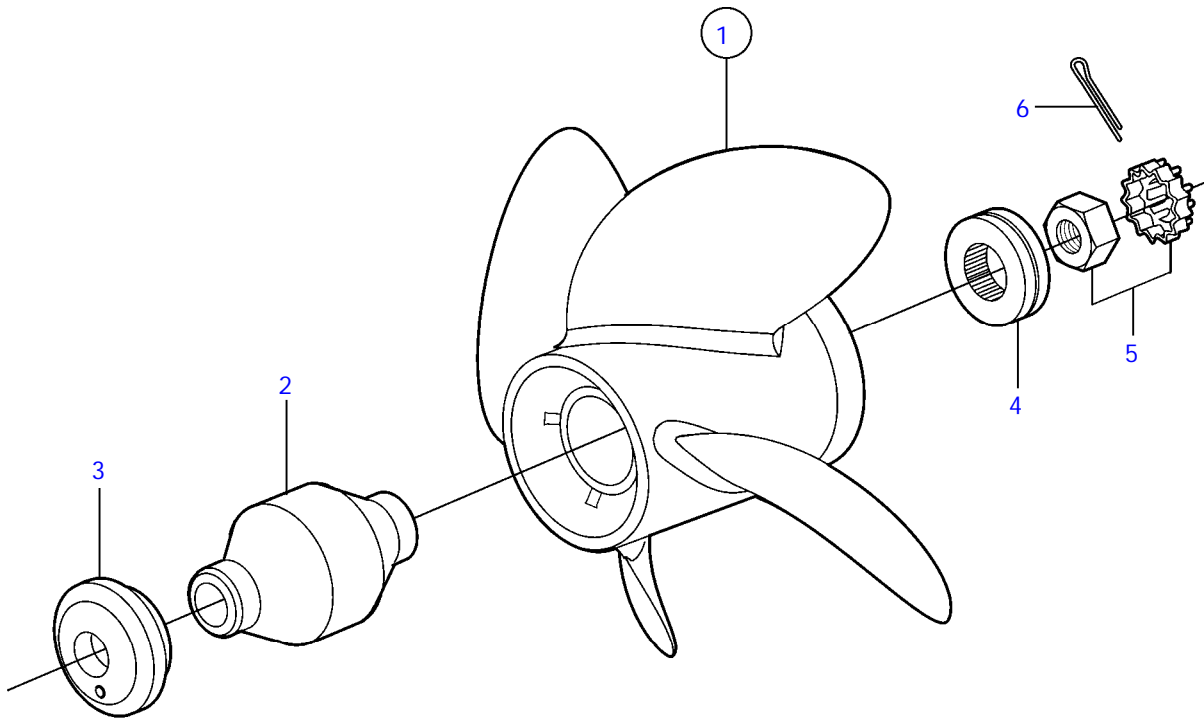


21270

SX-A

REF	PART NO.	QTY	DESCRIPTION	NOTES
1	3862462	1	Propeller	RH, 14.75 X 17
	3860708	1	Propeller	RH, 14.75 X 19
	3860709	1	Propeller	RH, 14.75 X 21
	3860710	1	Propeller	RH, 14.25 X 23
	3860714	1	Propeller	LH, 14.75 x 17
	3860715	1	Propeller	LH, 14.75 x 19
	3860716	1	Propeller	LH, 14.75 x 21
	3860717	1	Propeller	LH, 14.25 x 23
2	3862086	1	• Bushing	
3	3850831	1	• • Sleeve	
4	3852020	1	Bushing	
5	3852350	1	Spacer	
6	3850984	1	Propeller nut	
		1	• Nut	
		1	• Retainer	
7	3852056	1	Split pin	

SX-A

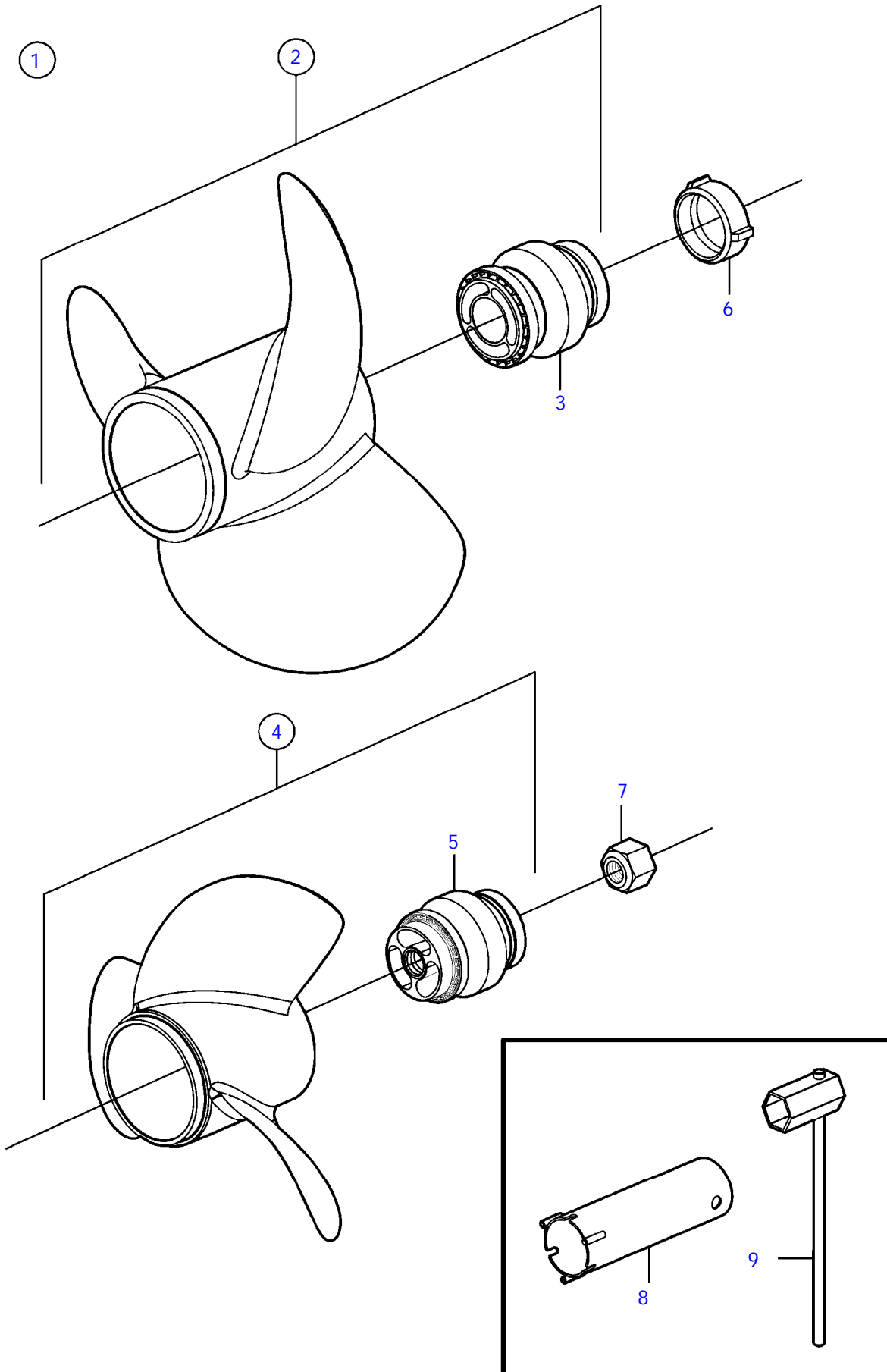


19812

SX-A

REF	PART NO.	QTY	DESCRIPTION	NOTES
1	3587524	1	Propeller	RH 14.0 X 21
	3587525	1	Propeller	LH 14 x 21
	3587526	1	Propeller	RH 14.0 X 23
	3587522	1	Propeller	RH 14.25 X 19
	3587523	1	Propeller	LH 14.25 x 19
	3587520	1	Propeller	RH 14.5 X 17
	3587521	1	Propeller	LH 14.5 x 17
	3587517	1	Propeller	RH 14.75 X 15
	3587519	1	Propeller	LH 14.75 x 15
2	3587601	1	• Propeller bushing	
3	3852020	1	Bushing	
4	3852350	1	Spacer	
5	3850984	1	Propeller nut	
		1	• Nut	
		1	• Retainer	
6	3852056	1	Split pin	

DPS-A, DPS-A OXi, DPS-A OXi 1.78, DPS-A OXi 1.95, DPS-A OXi 2.14

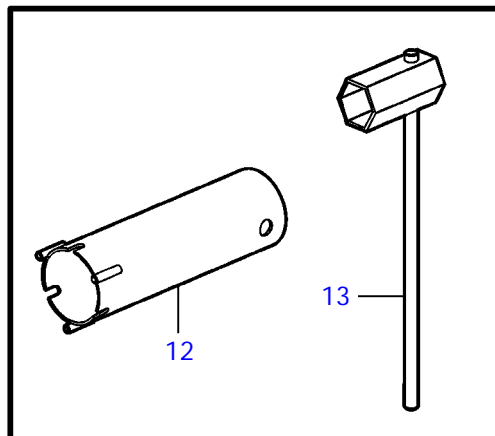
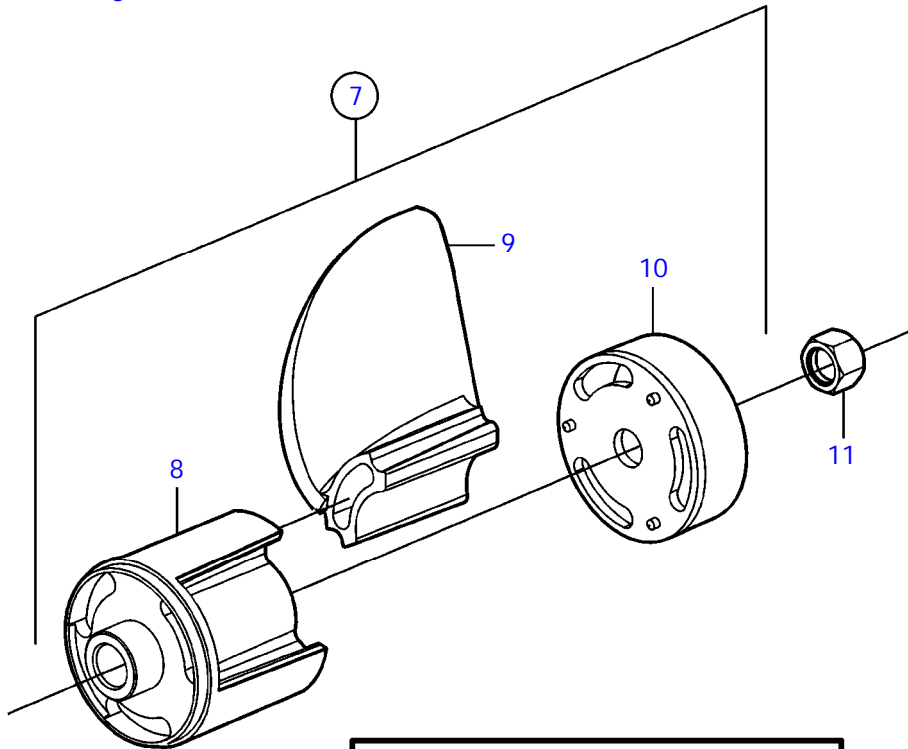
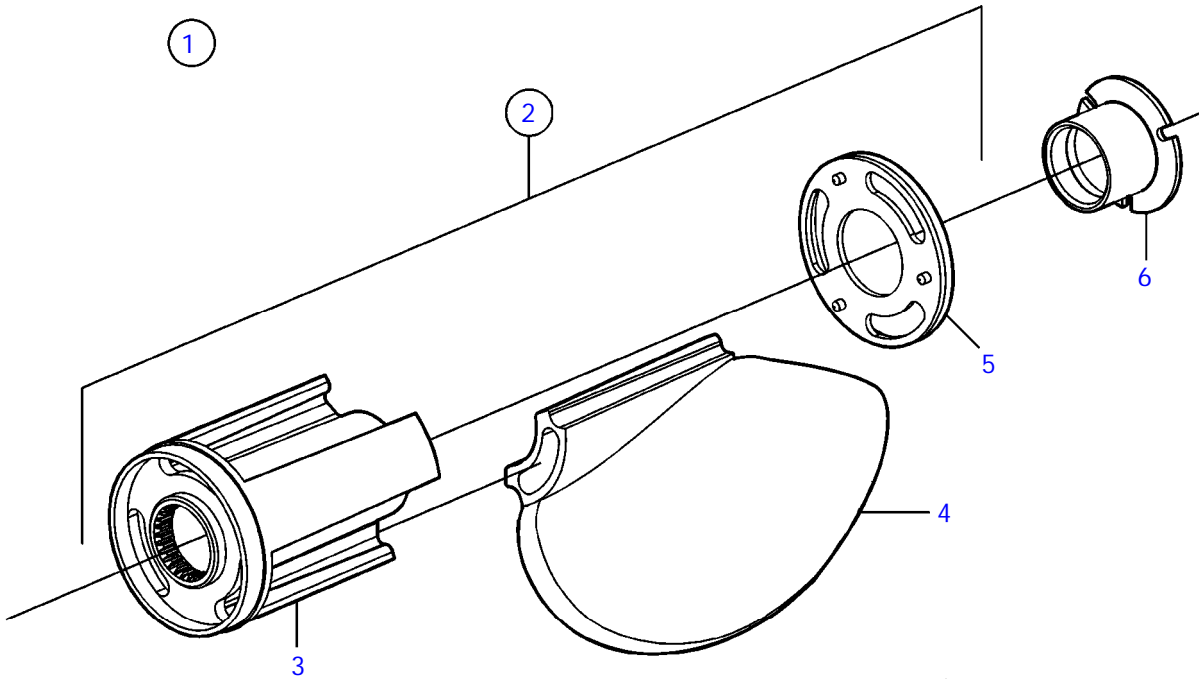


18080

DPS-A, DPS-A OXi, DPS-A OXI 1.78, DPS-A OXi 1.95, DPS-A OXi 2.14

REF	PART NO.	QTY	DESCRIPTION	SEE SEC.	NOTES
1	3851480	1	Propeller, aluminum		Set, D0
			• Bulletin P-44-7-1	P-44-7-1-EN	Duoprop Propellers
1	3851481	1	Propeller, aluminum		Set, D1
	3851482	1	Propeller, aluminum		Set, D2
	3851483	1	Propeller, aluminum		Set, D3
	3851484	1	Propeller, aluminum		Set, D4
	3856365	1	Propeller, aluminum		Set, D5
	3856366	1	Propeller, aluminum		Set, D6
	3856367	1	Propeller, aluminum		Set, D7
	3857563	1	Propeller, stainless steel		Set, F2
	3857564	1	Propeller, stainless steel		Set, F3
	3851494	1	Propeller, stainless steel		Set, F4
	3851495	1	Propeller, stainless steel		Set, F5
	3851496	1	Propeller, stainless steel		Set, F6
	3851497	1	Propeller, stainless steel		Set, F7
	3851498	1	Propeller, stainless steel		Set, F8
	3851499	1	Propeller, stainless steel		Set, F9
2	3851420	1	• Propeller, aluminum		Front, D0
	3851421	1	• Propeller, aluminum		Front, D1
	3851422	1	• Propeller, aluminum		Front, D2
	3851423	1	• Propeller, aluminum		Front, D3
	3851424	1	• Propeller, aluminum		Front, D4
	3856345	1	• Propeller, aluminum		Front, D5
	3856346	1	• Propeller, aluminum		Front, D6
	3856347	1	• Propeller, aluminum		Front, D7
	3857557	1	• Propeller, stainless steel		Front, F2
	3857559	1	• Propeller, stainless steel		Front, F3
	3851464	1	• Propeller, stainless steel		Front, F4
	3851465	1	• Propeller, stainless steel		Front, F5
	3851466	1	• Propeller, stainless steel		Front, F6
	3851467	1	• Propeller, stainless steel		Front, F7
	3851468	1	• Propeller, stainless steel		Front, F8
	3851469	1	• Propeller, stainless steel		Front, F9
3	3851258	1	• • Bushing, front		
4	3851440	1	• Propeller, aluminum		Rear, D0
	3851441	1	• Propeller, aluminum		Rear, D1
	3851442	1	• Propeller, aluminum		Rear, D2
	3851443	1	• Propeller, aluminum		Rear, D3
	3851444	1	• Propeller, aluminum		Rear, D4
	3856355	1	• Propeller, aluminum		Rear, D5
	3856356	1	• Propeller, aluminum		Rear, D6
	3856357	1	• Propeller, aluminum		Rear, D7
	3857558	1	• Propeller, stainless steel		Rear, F2
	3857560	1	• Propeller, stainless steel		Rear, F3
	3851474	1	• Propeller, stainless steel		Rear, F4
	3851475	1	• Propeller, stainless steel		Rear, F5
	3851476	1	• Propeller, stainless steel		Rear, F6
	3851477	1	• Propeller, stainless steel		Rear, F7
	3851478	1	• Propeller, stainless steel		Rear, F8
	3851479	1	• Propeller, stainless steel		Rear, F9
5	3851259	1	• • Bushing, rear		
6	3851569	1	Propeller nut, front		
7	3851341	1	Propeller nut, rear		
8	3862797	1	Tool, front		
9	3862808	1	Tool, rear		

DPS-A

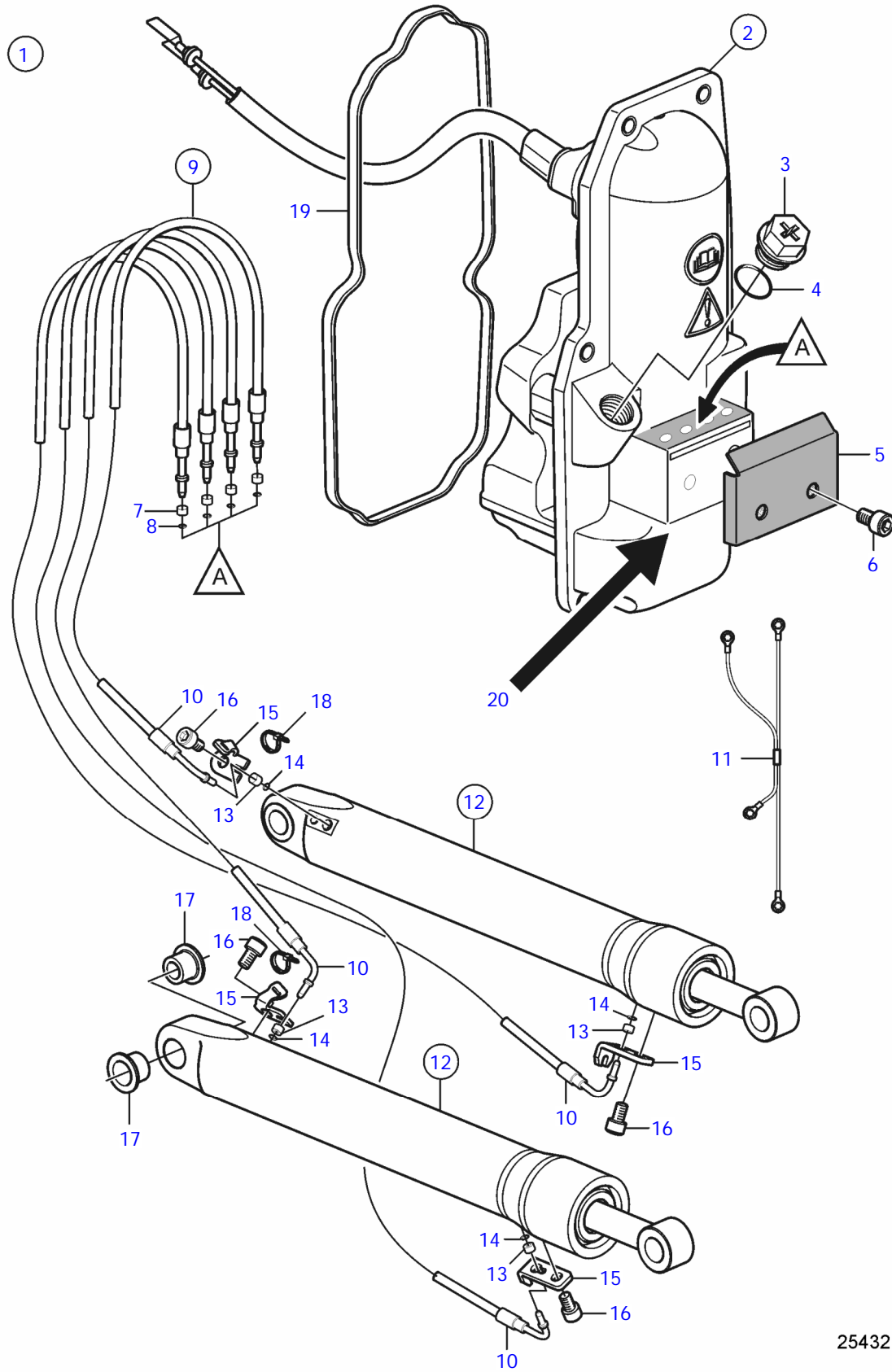


18889

DPS-A

REF	PART NO.	QTY	DESCRIPTION	SEE SEC.	NOTES
1	3807959	1	Kit, set		X2
			• Bulletin P-44-7-1	P-44-7-1-EN	Duoprop Propellers
1	3807958	1	Kit, set		X3
	3807957	1	Kit, set		X4
	3807956	1	Kit, set		X5
	3807955	1	Kit, set		X6
	3807954	1	Kit, set		X7
	3807953	1	Kit, set		X8
	3807952	1	Kit, set		X9
2	(888654)	1	• Propeller, front		Obsolete part, X2
	(3807949)	1	• Propeller, front		Obsolete part, X3
	(3807945)	1	• Propeller, front		Obsolete part, X4
	(3807941)	1	• Propeller, front		Obsolete part, X5
	(3807937)	1	• Propeller, front		Obsolete part, X6
	(3807932)	1	• Propeller, front		Obsolete part, X7
	3861623	1	• Propeller, front		X8
	(889562)	1	• Propeller, front		Obsolete part, X9
3		1	• • Propeller hub, front		
4	888651	3	• • Propeller blade		Obsolete part, X2
	3861590	3	• • Blade		X3
	3861592	3	• • Blade		X4
	3861594	3	• • Blade		X5
	3861596	3	• • Blade		X6
	3861598	3	• • Blade		X7
	3861600	3	• • Propeller		X8
	889557	3	• • Propeller blade		Obsolete part, X9
5	3861604	1	• • Cardboard tube, front		Obsolete part
6	3861794	1	• Propeller nut, front		
7	(888655)	1	• Propeller, rear		Obsolete part, X2
	3861614	1	• Propeller, rear		X3
	(3807946)	1	• Propeller, rear		Obsolete part, X4
	(3807942)	1	• Propeller, rear		Obsolete part, X5
	(3807938)	1	• Propeller, rear		Obsolete part, X6
	(3807933)	1	• Propeller, rear		Obsolete part, X7
	3861624	1	• Propeller, rear		X8
	(889564)	1	• Propeller, rear		Obsolete part, X9
8		1	• • Propeller hub, rear		
9	888652	3	• • Propeller blade		Obsolete part, X2
	3861591	3	• • Blade		X3
	3861593	3	• • Blade		X4
	3861595	3	• • Propeller		X5
	3861597	3	• • Blade		X6
	3861599	3	• • Blade		X7
	3861601	3	• • Blade		X8
	889559	3	• • Propeller blade		Obsolete part, X9
10	3861605	1	• • Cardboard tube, rear		Obsolete part
11	3851341	1	Propeller nut, rear		
12	3862797	1	Tool, front		
13	3862808	1	Tool, rear		

SX-A, SX-A, SX-AAC, SX-AAC, SX-AACLT32, SX-AACLT32, SX-AACLT42, SX-AACLT42, SX-ALT32, SX-ALT32, SX-ALT42, SX-ALT42

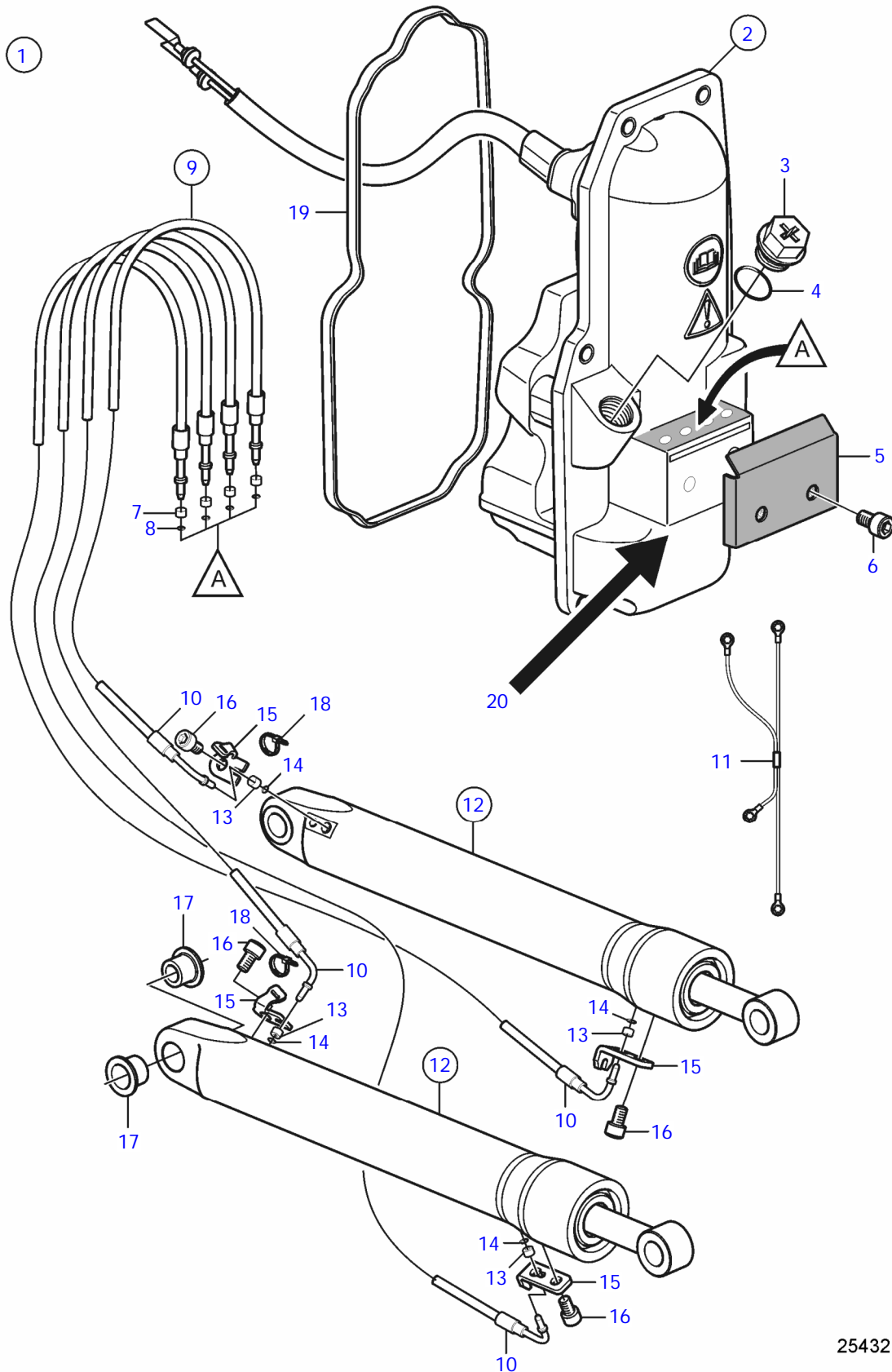


25432

SX-A, SX-A, SX-AAC, SX-AAC, SX-AACLT32, SX-AACLT32, SX-AACLT42, SX-AACLT42, SX-ALT32, SX-ALT32, SX-ALT42, SX-ALT42

REF	PART NO.	QTY	DESCRIPTION	SEE SEC.	NOTES
1	3848793	1	Trimming cylind kit • Bulletin P-44-5-9	P-44-5-9-EN	Full tilt New Trim System, SX-A
1	3848794	1	Trimming cylind kit		42° tilt limit
	3848795	1	Trimming cylind kit		32° tilt limit
2	3848796	1	• Pump unit • Bulletin P-44-5-9	P-44-5-9-EN	New Trim System, SX-A
3		1	• • Cap		
4		1	• • O-ring		
5		1	• • Retainer		
6		2	• • Screw		
7		4	• • Retainer		
8		4	• • O-ring		
9	3884410	1	• Hose kit		
10		4	• • Hydraulic hose		
11		1	• Ground cable		
12		2	• Trimming cylinder	36314	
13		2	• • Retainer		
14		2	• • O-ring		
15		4	• Clamp		
16		4	• Screw		
17		2	• Bushing		
18		2	• Tie straps		
19	3841015	1	• Gasket		
20		X			changed in next design

SXAACL-T-OXi-32, SXAACL-T-OXi-32, SXAACL-T-OXi-42, SXAACL-T-OXi-42, SX-OXi-AAC, SX-OXi-AAC

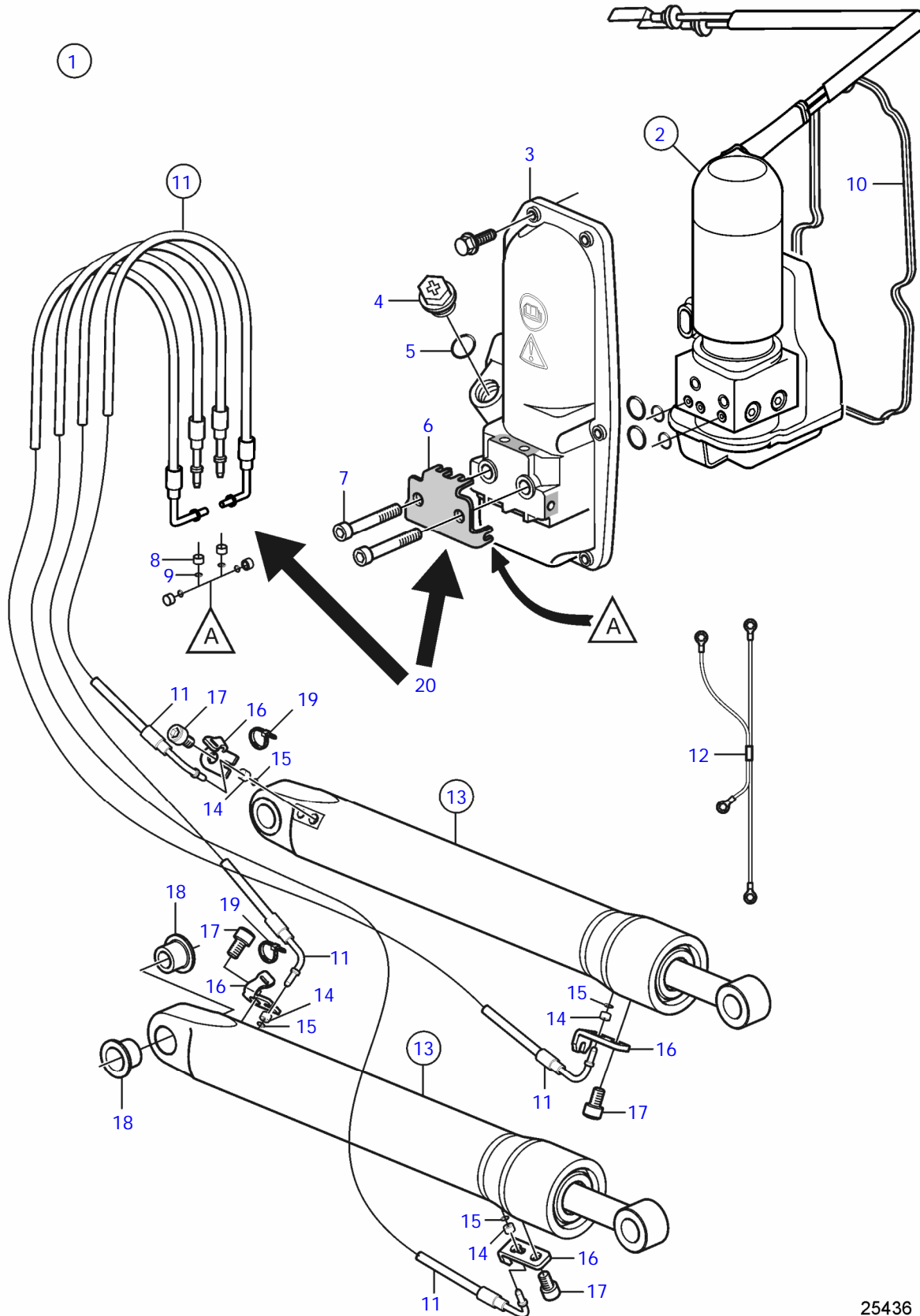


25432

SXAACL-T-OXI-32, SXAACL-T-OXI-32, SXAACL-T-OXI-42, SXAACL-T-OXi-42, SX-OXI-AAC, SX-OXI-AAC

REF	PART NO.	QTY	DESCRIPTION	SEE SEC.	NOTES
1	21174573	1	Trimming cylind kit		Full tilt
			• Bulletin P-44-5-9	P-44-5-9-EN	New Trim System, SX-A
1	21174574	1	Trimming cylind kit		42° tilt limit
	21174575	1	Trimming cylind kit		32° tilt limit
2	3848796	1	• Pump unit		
			• Bulletin P-44-5-9	P-44-5-9-EN	New Trim System, SX-A
3		1	• • Cap		
4		1	• • O-ring		
5		1	• • Retainer		
6		2	• • Screw		
7		4	• • Retainer		
8		4	• • O-ring		
9	3884410	1	• Hose kit		
10		4	• • Hydraulic hose		
11		1	• Ground cable		
12		2	• Trimming cylinder	36315	OceanX
13		2	• • Retainer		
14		2	• • O-ring		
15		4	• Clamp		
16		4	• Screw		
17		2	• Bushing		
18		2	• Tie straps		
19	3841015	1	• Gasket		
20		X			changed in next design

SX-A, SX-A, SX-AAC, SX-AAC, SX-AACT32, SX-AACT32, SX-AACT42, SX-AACT42, SX-ALT32, SX-ALT32, SX-ALT42, SX-ALT42

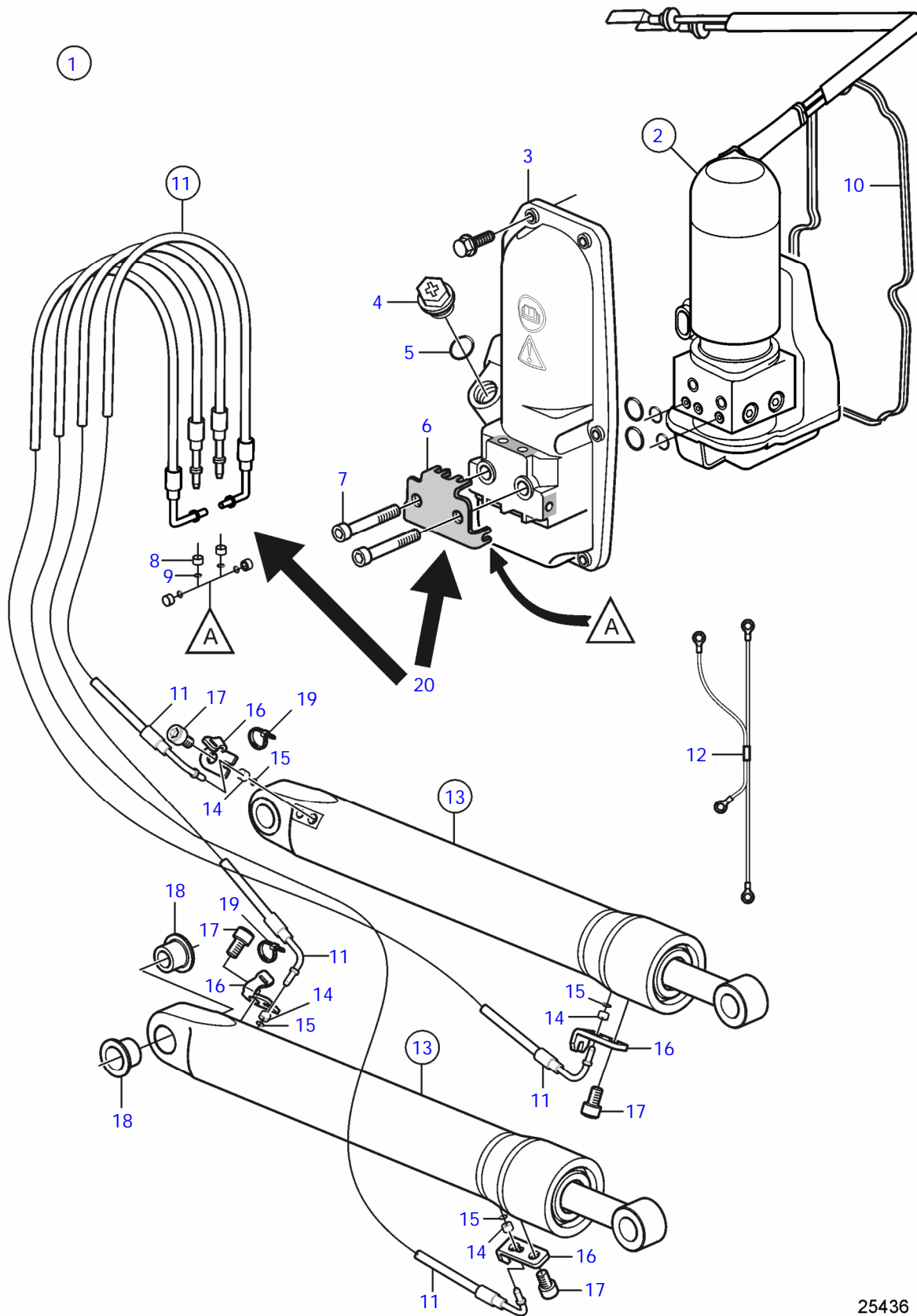


25436

SX-A, SX-A, SX-AAC, SX-AAC, SX-AACLT32, SX-AACLT32, SX-AACLT42, SX-AACLT42, SX-ALT32, SX-ALT32, SX-ALT42, SX-ALT42

REF	PART NO.	QTY	DESCRIPTION	SEE SEC.	NOTES
1	21481300	1	Trimming cylind kit		Full tilt
	21481301	1	Trimming cylind kit		42° tilt limit
	21481302	1	Trimming cylind kit		32° tilt limit
2	21573834	1	• Kit, trim pump	36320	
3	21573835	1	• Kit, cover	36321	
4		1	• Cap	36322	
5		1	• O-ring		
6		1	• Retainer		
7		2	• Screw		
8		4	• Retainer		
9		4	• O-ring		
10	3841015	1	• Gasket		
11	21481309	1	• Hose kit		
		4	• • Hydraulic hose		
12		1	• • Ground cable		
13		2	• Trimming cylinder	36314	
14		2	• Retainer		
15		2	• O-ring		
16		4	• Clamp		
17		4	• Screw		
18		2	• Bushing		
19		2	• Tie straps		
20		X			changed in next design

SXAACL-T-OXI-32, SXAACL-T-OXI-42, SX-OXI-AAC

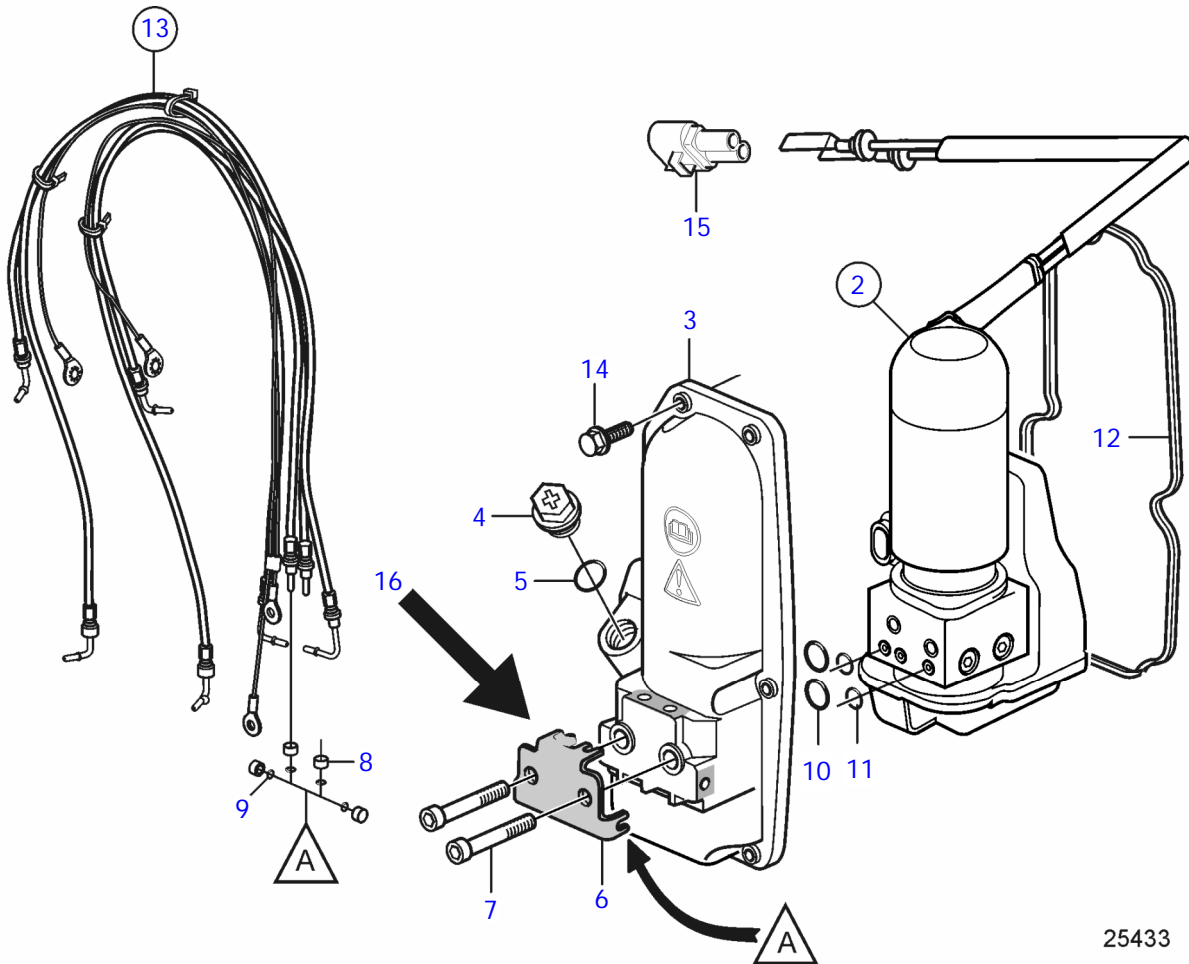
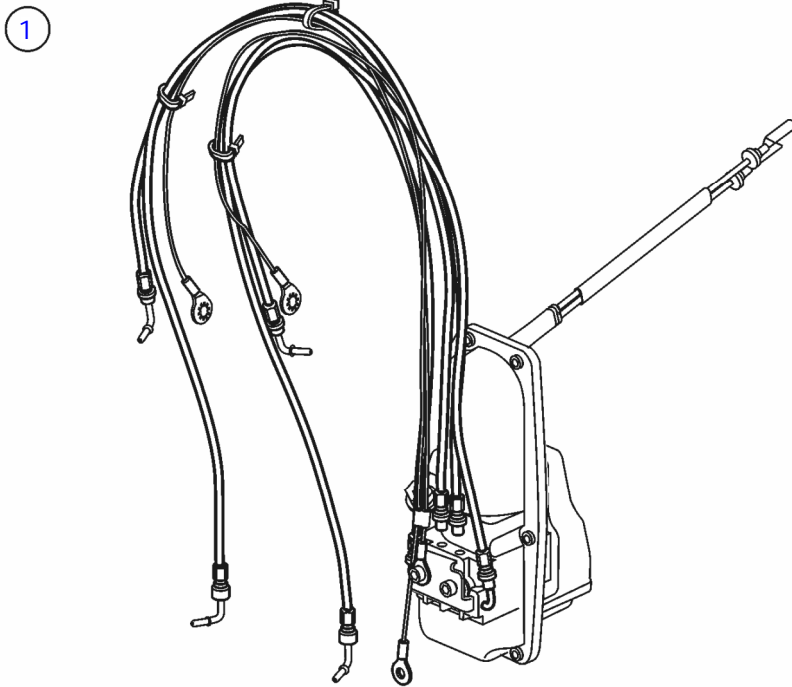


25436

SXAACL-T-OXI-32, SXAACL-T-OXI-42, SX-OXI-AAC

REF	PART NO.	QTY	DESCRIPTION	SEE SEC.	NOTES
1	21481303	1	Trimming cylind kit		Full tilt
	21481304	1	Trimming cylind kit		42° tilt limit
	21481305	1	Trimming cylind kit		32° tilt limit
2	21573834	1	• Kit, trim pump	36320	
3	21573835	1	• Kit, cover	36321	
4		1	• Cap	36322	
5		1	• O-ring		
6		1	• Retainer		
7		2	• Screw		
8		4	• Retainer		
9		4	• O-ring		
10	3841015	1	• Gasket		
11	21481309	1	• Hose kit		
		4	• • Hydraulic hose		
12		1	• • Ground cable		
13		2	• Trimming cylinder	36315	
14		2	• Retainer		
15		2	• O-ring		
16		4	• Clamp		
17		4	• Screw		
18		2	• Bushing		
19		2	• Tie straps		
20		X			changed in next design

SX-A, SX-AAC, SX-AACLT32, SX-AACLT42, SX-ALT32, SX-ALT42, SXAACLT-OXI-32, SXAACLT-OXI-42, SX-OXI-AAC



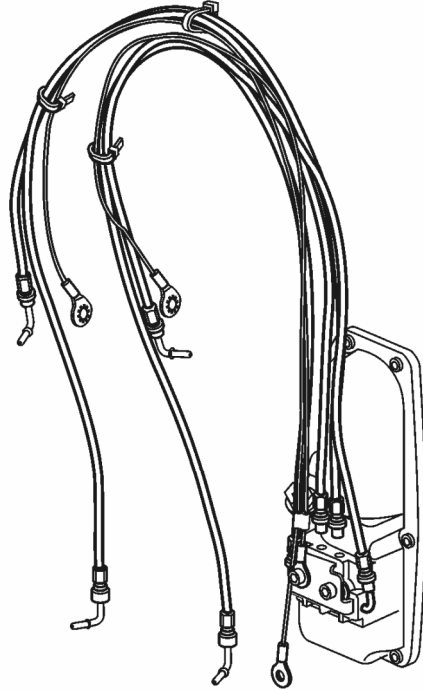
25433

SX-A, SX-AAC, SX-AACLT32, SX-AACLT42, SX-ALT32, SX-ALT42, SXAACLT-OXI-32, SXAACLT-OXI-42, SX-OXI-AAC

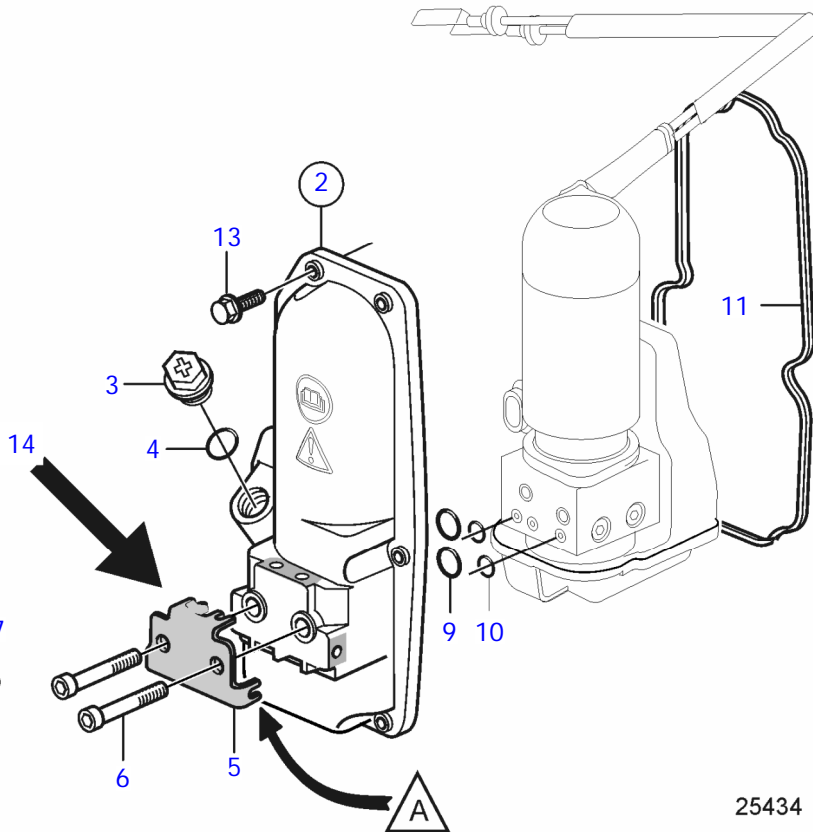
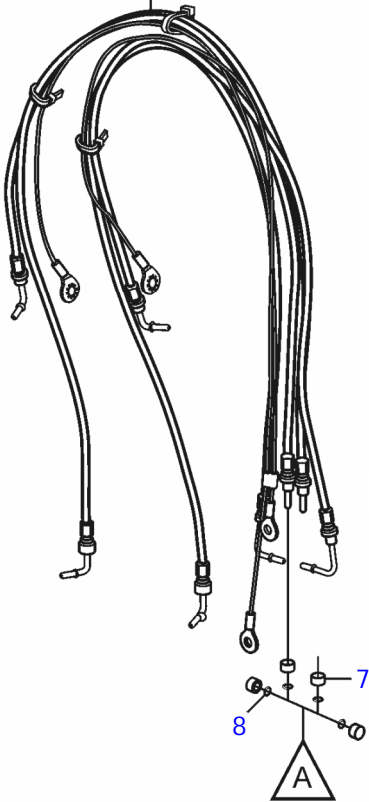
REF	PART NO.	QTY	DESCRIPTION	SEE SEC.	NOTES
1	21573834	1	Kit, trim pump		
2		1	• Pump, trim		
3		1	• Cover, trim pump	36321	
4		1	• Cap		
5		1	• O-ring		
6		1	• Plate		
7		2	• Screw		
8		4	• Retainer		
9		4	• O-ring		
10		2	• O-ring		
11		2	• O-ring		
12	3841013	1	• Gasket		
13	21481309	1	• Hose kit		
		4	• • Hydraulic hose		
		1	• • Ground cable		
		2	• • Tie straps		
14	990857	6	Flange screw		
15	3883773	1	Connector		
16		X			changed from earlier design

SX-A, SX-AAC, SX-AACLT32, SX-AACLT42, SX-ALT32, SX-ALT42, SXAACLT-OXI-32, SXAACLT-OXI-42, SX-OXI-AAC

1



12

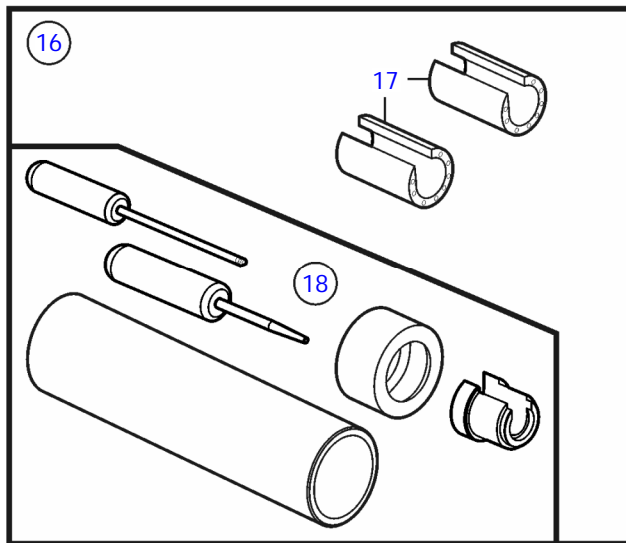
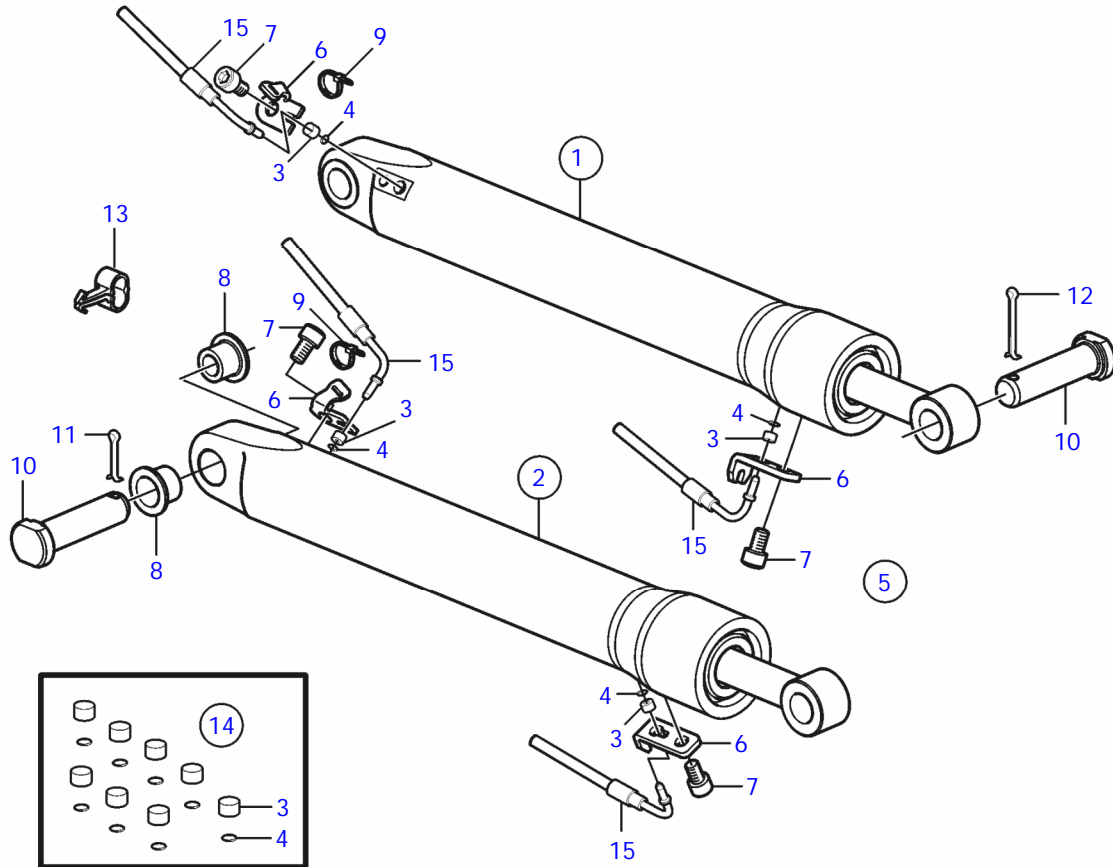


25434

SX-A, SX-AAC, SX-AACLT32, SX-AACLT42, SX-ALT32, SX-ALT42, SXAACLT-OXI-32, SXAACLT-OXI-42, SX-OXI-AAC

REF	PART NO.	QTY	DESCRIPTION	NOTES
1	21573835	1	Kit, trim pump	
2		1	• Cover, trim pump	
3		1	• Cap	
4		1	• O-ring	
5		1	• Plate	
6		2	• Screw	
7		4	• Retainer	
8		4	• O-ring	
9		2	• O-ring	
10		2	• O-ring	
11	3841013	1	• Gasket	
12	21481309	1	• Hose kit	
		4	• • Hydraulic hose	
		1	• • Ground cable	
		2	• • Tie straps	
13	990857	6	Flange screw	
14		X		changed from earlier design

SX-A, SX-A, SX-AAC, SX-AAC, SX-AACLT32, SX-AACLT32, SX-AACLT42, SX-AACLT42, SX-ALT32, SX-ALT32, SX-ALT42, SX-ALT42

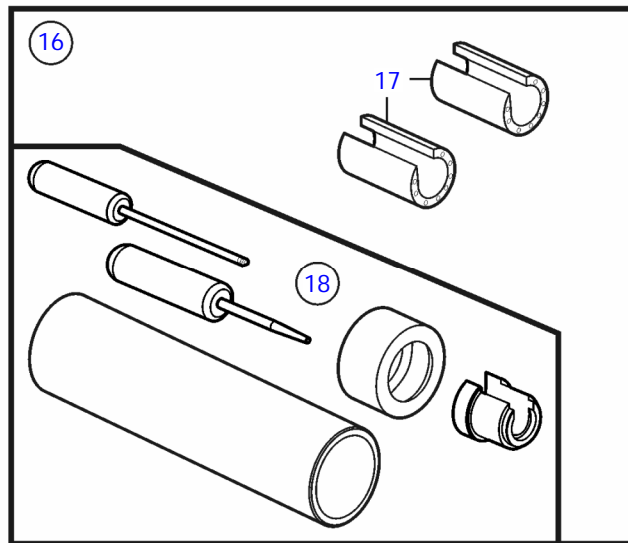
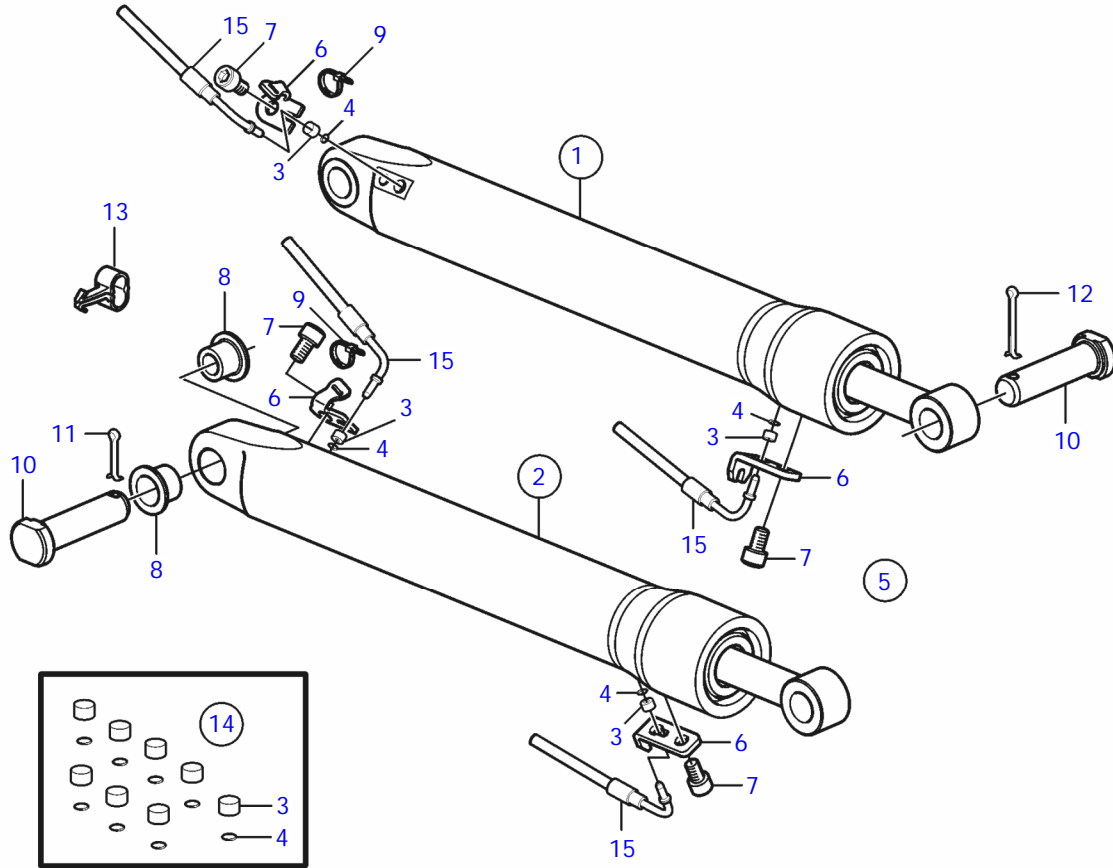


25431

SX-A, SX-A, SX-AAC, SX-AAC, SX-AACLT32, SX-AACLT32, SX-AACLT42, SX-AACLT42, SX-ALT32, SX-ALT32, SX-ALT42, SX-ALT42

REF	PART NO.	QTY	DESCRIPTION	NOTES
1	3889955	1	Trimming cylinder	Starboard, Full tilt
	3889957	1	Trimming cylinder	Starboard, 42° tilt limit
	3889959	1	Trimming cylinder	Starboard, 32° tilt limit
2	3889954	1	Trimming cylinder	Port, Full tilt
	3889956	1	Trimming cylinder	Port, 42° tilt limit
	3889958	1	Trimming cylinder	Port, 32° tilt limit
3		1	• Cup	also included in sealing kit below
4		1	• O-ring	
5	3886513	1	Kit	Kit has other parts
6		4	• Retainer	
7		4	• Screw	
8		4	• Bushing	
9		2	• Tie straps	
10	3841003	4	Split pin	
11	967707	2	Split pin	
12	3885524	2	Split pin	
13	3841007	2	Hose retainer	
14	3889431	1	Kit, sealing	Retainers and o-rings for trim lines.
		8	• Retainer	
		8	• O-ring	
15		4	Hose kit	See "Trim Pump" page
16	3887091	1	Kit, stroke limiter	tilt limit
17		2	• Spacer	
18		1	• Tool kit	

SXAACL-T-OXi-32, SXAACL-T-OXi-32, SXAACL-T-OXi-42, SXAACL-T-OXi-42, SX-OXi-AAC, SX-OXi-AAC

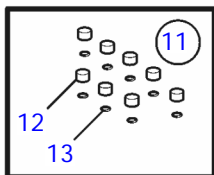
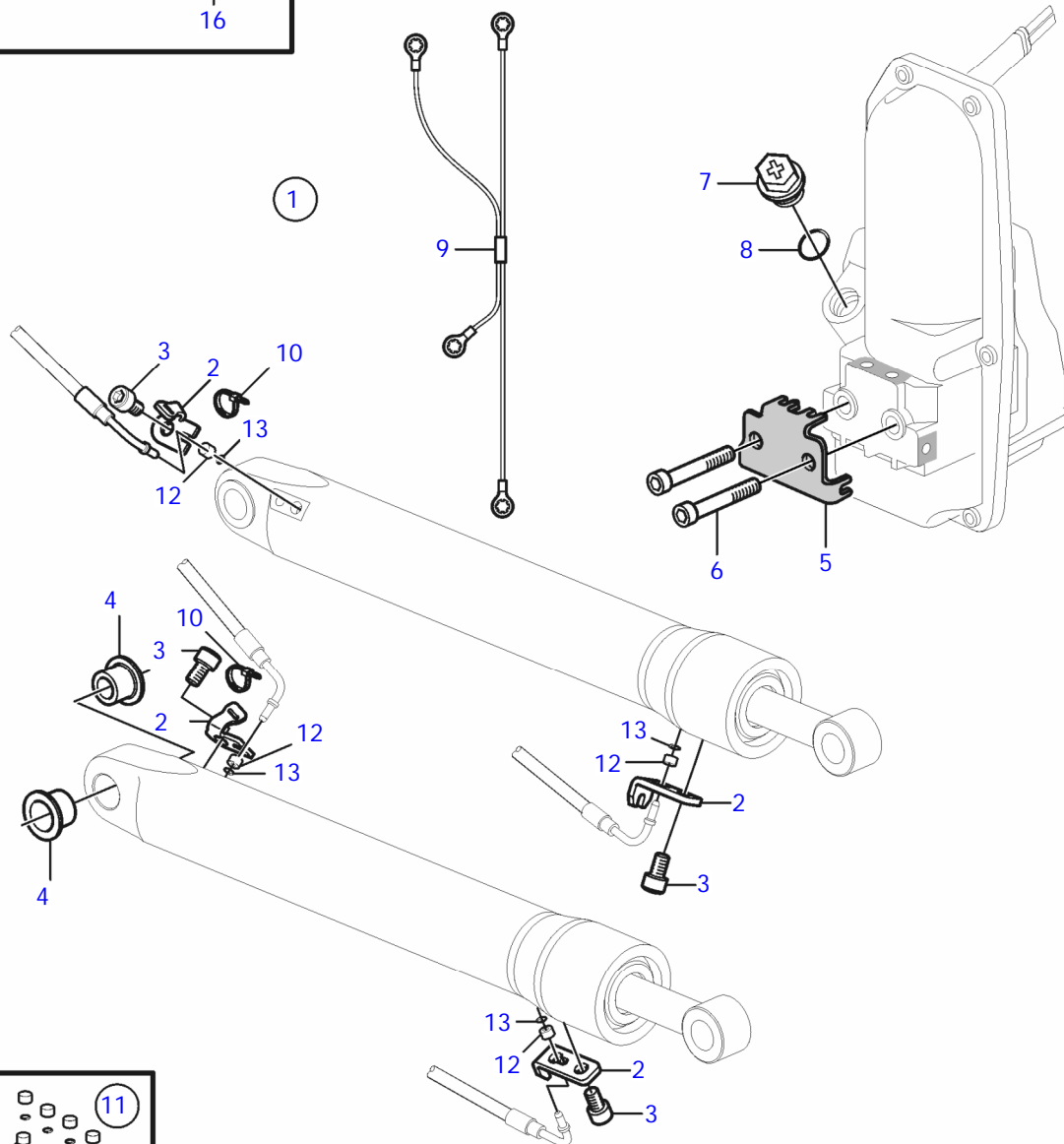
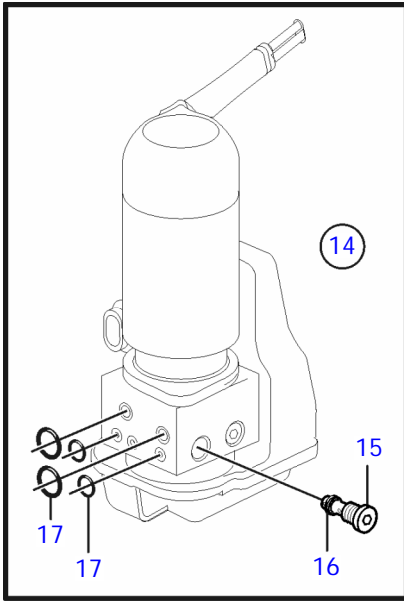


25431

SXAACL-T-OXi-32, SXAACL-T-OXi-32, SXAACL-T-OXi-42, SXAACL-T-OXi-42, SX-OXi-AAC, SX-OXi-AAC

REF	PART NO.	QTY	DESCRIPTION	NOTES
1	21174578	1	Trimming cylinder	Starboard, Full tilt
	21174580	1	Trimming cylinder	Starboard, 42° tilt limit
	21174582	1	Trimming cylinder	Starboard, 32° tilt limit
2	21174577	1	Trimming cylinder	Port, Full tilt
	21174579	1	Trimming cylinder	Port, 42° tilt limit
	21174581	1	Trimming cylinder	Port, 32° tilt limit
3		1	• Cup	also included in sealing kit below
4		1	• O-ring	
5	3886513	1	Kit	Kit has other parts
6		4	• Retainer	
7		4	• Screw	
8		4	• Bushing	
9		2	• Tie straps	
10	3841003	4	Split pin	
11	967707	2	Split pin	
12	3885524	2	Split pin	
13	3841007	2	Hose retainer	
14	3889431	1	Kit, sealing	Retainers and o-rings for trim lines.
		8	• Retainer	
		8	• O-ring	
15		4	Hose kit	See "Trim Pump" page
16	3887091	1	Kit, stroke limiter	tilt limit
17		2	• Spacer	
18		1	• Tool kit	

SX-A, SX-AAC, SX-AACLT32, SX-AACLT42, SX-ALT32, SX-ALT42, SXAACLT-OXI-32, SXAACLT-OXI-42, SX-OXI-AAC

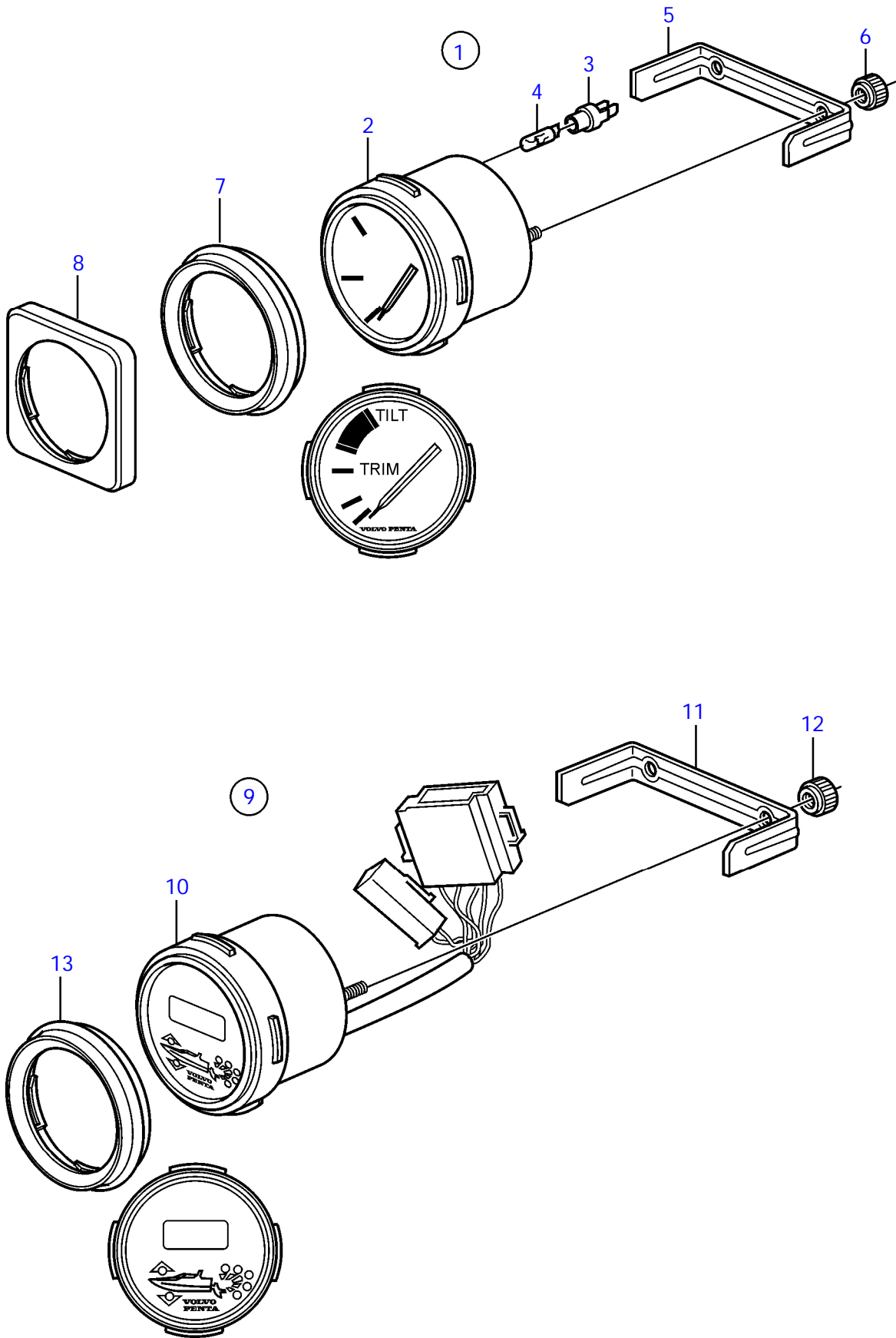


25435

SX-A, SX-AAC, SX-AACLT32, SX-AACLT42, SX-ALT32, SX-ALT42, SXAACLT-OXI-32, SXAACLT-OXI-42, SX-OXI-AAC

REF	PART NO.	QTY	DESCRIPTION	NOTES
1	21481314	1	Kit, hardware	for second design trim pump only
2		4	• Clamp	
3		4	• Bolt	
4		4	• Bushing	
5		1	• Retainer	
6		2	• Bolt	
7		1	• Cap	
8		1	• O-ring	
9		1	• Ground cable	
10		2	• Tie straps	
11	3889431	1	Kit, sealing	trim cylinder
12		8	• Cup	
13		8	• O-ring	
14	3849515	1	Valve kit	
15		2	• Check valve	
16		4	• • O-ring, check valve	
17		4	• O-ring, cover	

SX-A, DPS-A, DPS-A OXi



24825

Upd:2011-02-16

24825

7746270-44-35700

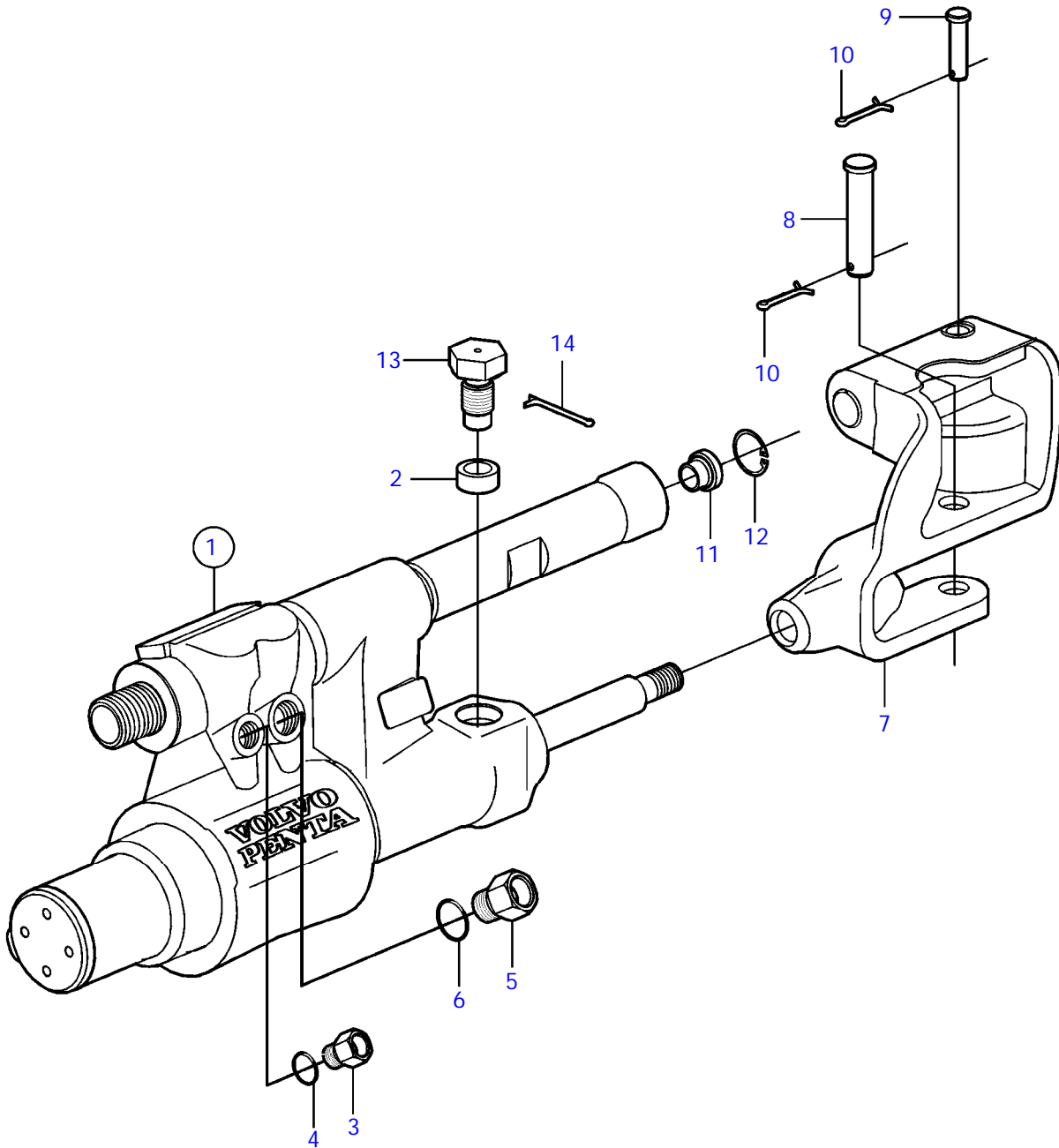


SX-A, DPS-A, DPS-A OXi, SX-A 1.43, SX-A 1.51, SX-A 1.60, SX-A 1.66, SX-A 1.79, SX-A 1.89, SX-A 1.97, SX-A 2.18, SX-AAC, SX-AACLT

SX-A, DPS-A, DPS-A OXi

REF	PART NO.	QTY	DESCRIPTION	NOTES
1	3851787	1	Adapter kit	Analog
2		1	• Trimmer	Not sold separately
3	863946	1	• • Bulb, red	
4	863945	1	• • Lamp socket	
5	873207	1	Brace kit	
6		2	• Nut	Not sold separately
7	858643	1	Front ring	D=52mm
8	856822	1	Instrument frame	D=52mm
9	3857360	1	Instrument	replaced, See last P/N
	3857370	1	• Trimmer	Not sold separately
	3858223	1	Instrument kit	replaced, See last P/N
	(3858211)	1	• Instrument	Obsolete part, Not sold separately
	3858606	1	Instrument kit	replaced, See last P/N
	3858605	1	• Instrument	Not sold separately
	3858773	1	Instrument	replaced, See last P/N
		1	• Trimmer	Not sold separately
	3819708	1	Instrument kit	Digital
10		1	• Instrument	Not sold separately
11	873207	1	• Brace kit	
12		2	• • Nut	Not sold separately
13	858643	1	• Front ring	D=52mm

SX-A, SX-A, SX-AAC, SX-AAC, SX-AACLT32, SX-AACLT32, SX-AACLT42, SX-AACLT42, SX-ALT32, SX-ALT32, SX-ALT42, SX-ALT42

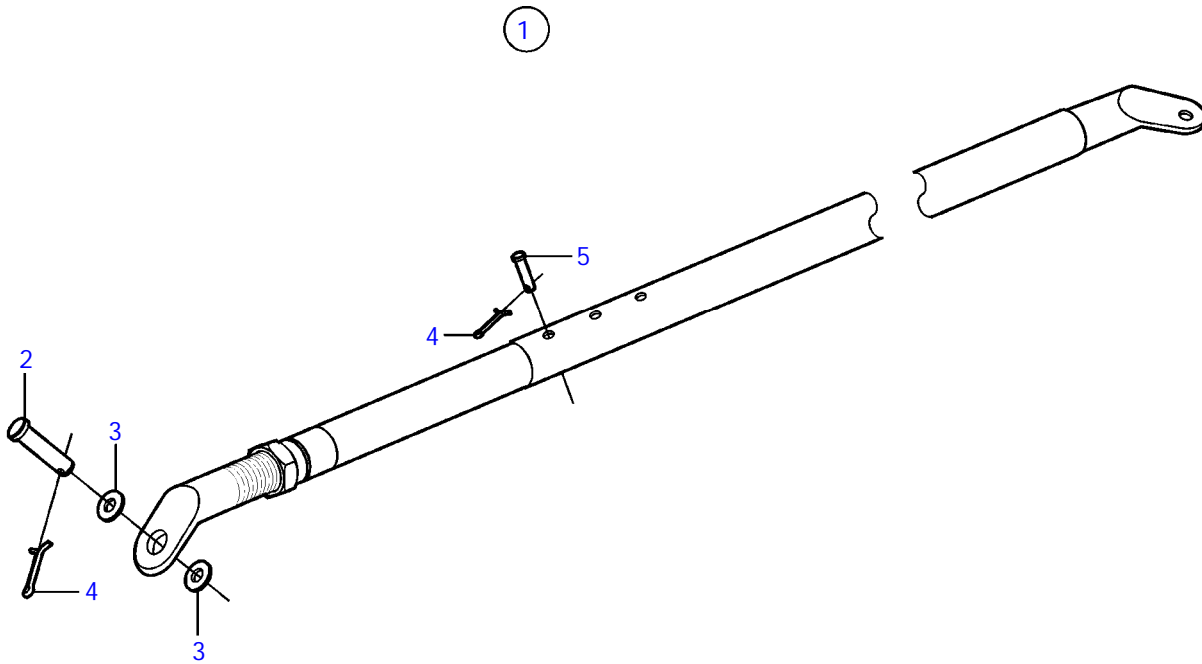


18083

SX-A, SX-A, SX-AAC, SX-AAC, SX-AACLT32, SX-AACLT32, SX-AACLT42, SX-AACLT42, SX-ALT32, SX-ALT32, SX-ALT42, SX-ALT42

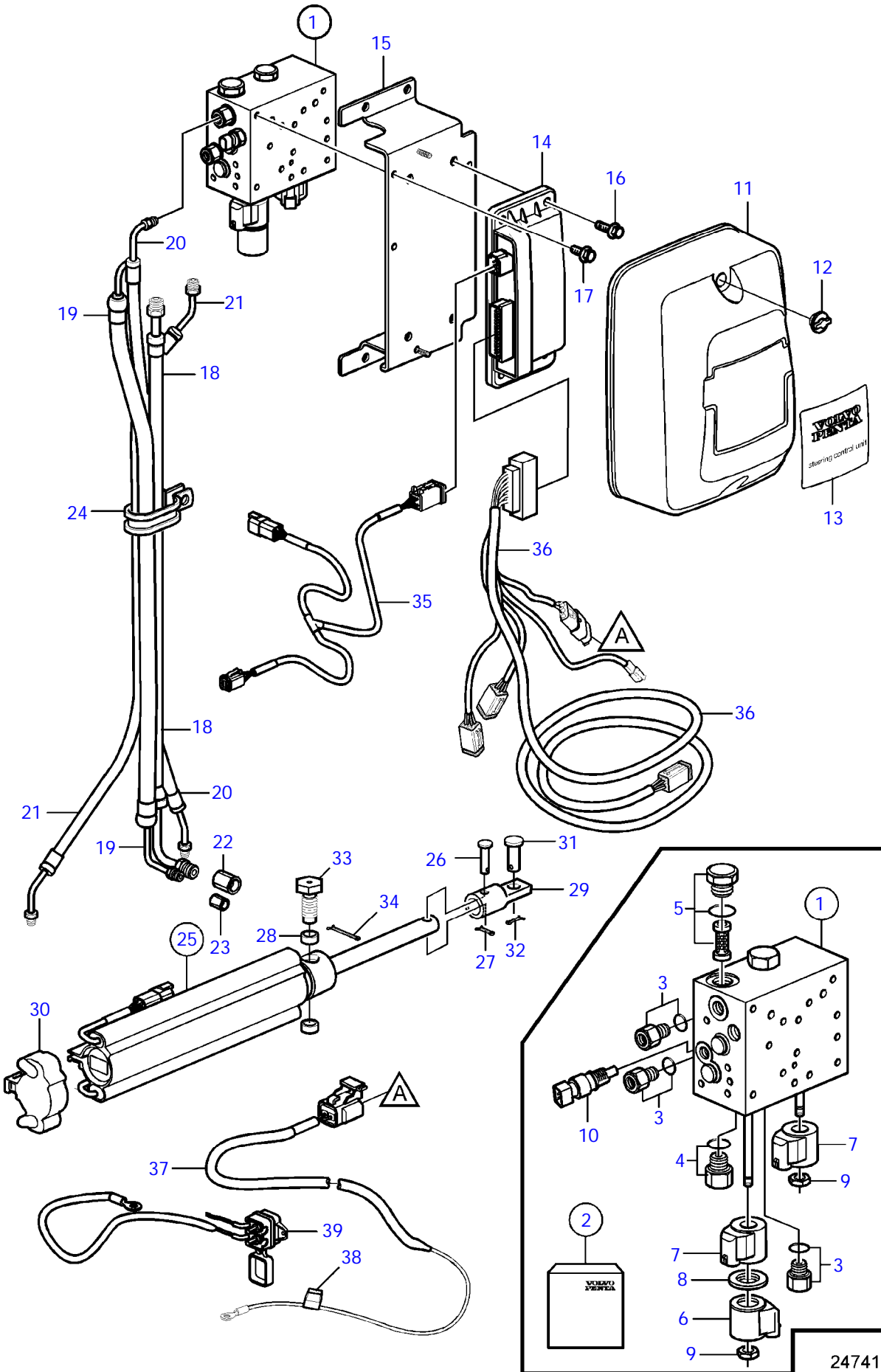
REF	PART NO.	QTY	DESCRIPTION
1	3812269	1	Steering cylinder
2	3861035	2	• Bushing
3	3859041	1	• Fitting
4	3859040	1	• O-ring
5	3859043	1	• Fitting
6	3859042	1	• O-ring
7	3859048	1	• Cable attachment
8	3859047	1	• Pin
9	3859046	1	• Pin
10	3859045	2	• Split pin
11	3859052	1	• Ring
12	3859051	1	• Ring
13	3850931	2	Screw
14	3853376	2	Split pin

SX-A, SX-A, SX-AAC, SX-AAC, SX-AACLT32, SX-AACLT32, SX-AACLT42, SX-AACLT42, SX-ALT32, SX-ALT32, SX-ALT42, SX-ALT42



18085

SX-A, SX-AAC, SX-AACLT32, SX-AACLT42, SX-ALT32, SX-ALT42



SX-A, SX-AAC, SX-AACLT32, SX-AACLT42, SX-ALT32, SX-ALT42

REF	PART NO.	QTY	DESCRIPTION	NOTES
1	21199262	1	Valve	
2	21298577	1	• Kit	
3	21199274	3	• • Nipple	
		3	• • • O-ring	Not sold separately
4	3859043	1	• • Fitting	
	3859042	1	• • • O-ring	
5	21314058	1	• • Filter	
		1	• • • Nut	Not sold separately
		1	• • • O-ring	Not sold separately
6	21314061	1	• • Solenoid	
7	21314064	2	• • Solenoid	
8		1	• Washer	Not sold separately
9		2	• Nut	Not sold separately
10	3850397	1	• Switch, temperature	
11	21198760	1	Cover	
12	3841608	2	Nut	
13	21199454	1	Decal	
14	21187317	1	Module	SCU, replaced by next part number
	21358822	1	Module	SCU
	3809286	1	Software	Warehouse programming. This p/n can not be ordered, but will be used for invoicing.
	3809285	1	Software	Vodia-programming. This p/n can not be ordered, but will be used for invoicing.
15	21199245	1	Bracket	
16	21280607	4	Flange screw	
17	946544	3	Flange screw	
18	21199304	1	Hose, return	
19	21199310	1	Hose, pressure	
20	21199314	1	Hose, starboard	
21	21199318	1	Hose, port	
22	984379	1	Nipple	
23	984378	1	Nipple	
24	(3852837)	2	Clamp	Obsolete part
25	21243557	1	Steering cylinder	
		4	• Sensor, position	Not sold separately
26		1	• Clevis pin	Not sold separately
27		1	• Cotter pin	Not sold separately
28		2	• Bushing	Not sold separately
29		1	• Cable attachment	Not sold separately
30	21277346	1	Cardboard tube	
31	21234062	1	Clevis pin	
32	967707	1	Split pin	
33	3850931	2	Screw	
34	3853376	2	Split pin	
35	3588972	1	Cable kit, t	
36	21292450	1	Wiring harness	SCU
37	21292472	1	Wiring harness	Power
38	21526277	1	Wiring harness, fuse	
			• Fuse	10A
39		1	Breaker, circuit	Discontinued, See Service Bulletin 37-2-5

SX-A, DPS-A, SX-A, SX-AAC, SX-AACLT32, SX-AACLT42, SX-ALT32, SX-ALT42, SXAACLT-OXi-32, SXAACLT-OXi-42, SX-OXI-AAC, DPS-A OXi 1.78, DPS-A OXi 1.95, DPS-A OXi 2.14

REF	PART NO.	QTY	DESCRIPTION	NOTES
1	3888820	1	Gasket kit	Transom shield
	3841011	1	• Gasket	
	3841015	1	• Gasket	
	976106	1	• O-ring	
	3852537	1	• O-ring	
	3852045	1	• O-ring	
	946056	1	• O-ring	
	3883257	1	• Sealing	
	3841013	1	• Gasket	
	3888821	1	Gasket kit, lower	SX-A
	3841966	1	• Gasket	
	3841968	1	• Gasket	
	925259	2	• O-ring	
	3852866	1	• O-ring	
	3855081	1	• O-ring	
	3863090	1	• Sealing	
	3888822	1	Gasket kit, lower	DPS-A, DPS-A OXi
	3841966	1	• Gasket	
	3841968	1	• Gasket	
	3855081	1	• O-ring	
	3852866	1	• O-ring	
	925259	2	• O-ring	
	851407	2	• Sealing ring	
	3888917	1	Gasket kit, upper	SX-A, DPS-A, DPS-A OXi
	3841964	1	• Gasket	
	3852045	1	• O-ring	
	925095	1	• O-ring	
	3852565	2	• O-ring	
	949656	1	• O-ring	
	3855081	1	• O-ring	
	925093	1	• O-ring	
	3852272	1	• Sealing	
	3863085	1	• Sealing ring	

--

DESCRIPTION	SEE SEC.	NOTES
Rudder Indicator Kit, SX & DPS Drive	35699	SX-A, SX-A, SX-AAC, SX-AAC, SX-AACLT32, SX-AACLT32, SX-AACLT42, SX-AACLT42, SX-ALT32, SX-ALT32, SX-ALT42, SX-ALT42
OceanX™ Drive Sensors	35818	DPS-A OXi
Electrical Materials	1963	SX-A, DPS-A, DPS-A OXi



DESCRIPTION	SEE SEC.	NOTES
Maintenance Parts, SX-A, DPS-A, DPS-A OXi	36056	SX-A, DPS-A, DPS-A OXi
Transom Shield, Complete	9559	SX-A, SX-A, SX-AAC, SX-AAC, SX-AACLT32, SX-AACLT32, SX-AACLT42, SX-AACLT42, SX-ALT32, SX-ALT32, SX-ALT42, SX-ALT42
Transom Shield, Complete	35814	SXAACLT-OXi-32, SXAACLT-OXi-32, SXAACLT-OXi-42, SXAACLT-OXi-42, SX-OXi-AAC, SX-OXi-AAC
Drive Unit, Complete	9556	SX-A
Drive Unit, Complete	9557	DPS-A
Drive Unit, Complete	35815	DPS-A OXi
Inner Transom Plate	9912	SX-A, SX-AAC, SX-AACLT32, SX-AACLT42, SX-ALT32, SX-ALT42, SXAACLT-OXi-32, SXAACLT-OXi-42, SX-OXi-AAC
Inner Transom Plate	36178	SX-A, SX-AAC, SX-AACLT32, SX-AACLT42, SX-ALT32, SX-ALT42, SXAACLT-OXi-32, SXAACLT-OXi-42, SX-OXi-AAC
Transom Shield	9920	SX-A, SX-A, SX-AAC, SX-AAC, SX-AACLT32, SX-AACLT32, SX-AACLT42, SX-AACLT42, SX-ALT32, SX-ALT32, SX-ALT42, SX-ALT42
Transom Shield	35837	SXAACLT-OXi-32, SXAACLT-OXi-32, SXAACLT-OXi-42, SXAACLT-OXi-42, SX-OXi-AAC, SX-OXi-AAC
Gimbal Ring and Pivot Housing	9921	SX-A, SX-A, SX-AAC, SX-AAC, SX-AACLT32, SX-AACLT32, SX-AACLT42, SX-AACLT42, SX-ALT32, SX-ALT32, SX-ALT42, SX-ALT42
Gimbal Ring and Pivot Housing	35838	SXAACLT-OXi-32, SXAACLT-OXi-32, SXAACLT-OXi-42, SXAACLT-OXi-42, SX-OXi-AAC, SX-OXi-AAC
Upper Gearhousing	9932	SX-A, DPS-A
Upper Gearhousing	35816	DPS-A OXi
U-Joint and Bearing Carrier	9933	SX-A, DPS-A
U-Joint and Bearing Carrier	35817	DPS-A OXi
Upper Vertical Shaft	9934	SX-A 1.43, SX-A 1.51, SX-A 1.60, DPS-A 1.68, DPS-A 1.78, DPS-A 1.95, DPS-A OXi 1.78, DPS-A OXi 1.95
Upper Vertical Shaft	35587	SX-A 1.79, SX-A 1.89, SX-A 1.97, SX-A 2.18, DPS-A 2.11, DPS-A 2.32
Upper Vertical Shaft	35588	DPS-A 2.14, DPS-A OXi 2.14
Lower Gearhousing	9935	SX-A
Lower Vertical Shaft	9937	SX-A
Propeller Shaft	9939	SX-A
Lower Gearhousing	9936	DPS-A
Lower Gearhousing	35833	DPS-A OXi
Lower Vertical Shaft	9938	DPS-A, DPS-A OXi
Propeller Shaft	9940	DPS-A, DPS-A OXi
Shift Mechanism, to 4202180937	9941	SX-A, DPS-A
Shift Mechanism, From 4202180938	21570	SX-A, DPS-A
Shift Mechanism	35831	DPS-A OXi
Extension Kit 1"	9942	SX-A, DPS-A
Extension Kit 1"	35832	DPS-A OXi
Active Corrosion Protection	9922	SX-A, SX-AAC, SX-AAC, SX-AACLT32, SX-AACLT32, SX-AACLT42, SX-AACLT42, SX-ALT32, SX-ALT42, SXAACLT-OXi-32, SXAACLT-OXi-32, SXAACLT-OXi-42, SXAACLT-OXi-42, SX-OXi-AAC, SX-OXi-AAC
Exhaust Block-off Kit	22275	SX-A, SX-AAC, SX-AACLT32, SX-AACLT42, SX-ALT32, SX-ALT42
Jackshaft	7571	SX-A, SX-AAC, SX-AACLT32, SX-AACLT42, SX-ALT32, SX-ALT42
Jackshaft, Exhaust Components, 4.3L	22374	SX-A, SX-AAC, SX-AACLT32, SX-AACLT42, SX-ALT32, SX-ALT42
Jackshaft Connecting Components, 5.0L, 5.7L, 8.1L	22379	SX-A, SX-AAC, SX-AACLT32, SX-AACLT42, SX-ALT32, SX-ALT42
Jackshaft Connecting Components	22381	SX-A, SX-AAC, SX-AACLT32, SX-AACLT42, SX-ALT32, SX-ALT42
Adapter Plate, 290 to SX-A	22195	SX-A, SX-A, SX-AAC, SX-AAC, SX-AACLT32, SX-AACLT32, SX-AACLT42, SX-AACLT42, SX-ALT32, SX-ALT32, SX-ALT42, SX-ALT42
Adapter Plate, 290 to DPS-A OXi	35843	SXAACLT-OXi-32, SXAACLT-OXi-32, SXAACLT-OXi-42, SXAACLT-OXi-42, SX-OXi-AAC, SX-OXi-AAC
Propeller, 3 Blade Aluminum	6247	SX-A
Propeller, Stainless Steel	7934	SX-A
Propeller, 4 Blade Aluminum	6477	SX-A

DESCRIPTION	SEE SEC.	NOTES
Duoprop Propeller	4619	DPS-A, DPS-A OXi, DPS-A OXI 1.78, DPS-A OXi 1.95, DPS-A OXi 2.14
X Series Propeller	5512	DPS-A
Trim System Kit, First Design	36317	SX-A, SX-A, SX-AAC, SX-AAC, SX-AACLT32, SX-AACLT32, SX-AACLT42, SX-AACLT42, SX-ALT32, SX-ALT32, SX-ALT42, SX-ALT42
Trim System Kit, First Design	36318	SXAACL-T-OXi-32, SXAACL-T-OXi-32, SXAACL-T-OXi-42, SXAACL-T-OXi-42, SX-OXi-AAC, SX-OXi-AAC
Trim System Kit, Second Design	36319	SX-A, SX-A, SX-AAC, SX-AAC, SX-AACLT32, SX-AACLT32, SX-AACLT42, SX-AACLT42, SX-ALT32, SX-ALT32, SX-ALT42, SX-ALT42
Trim System Kit, Second Design	36323	SXAACL-T-OXi-32, SXAACL-T-OXi-42, SX-OXi-AAC
Trim Pump Kit	36320	SX-A, SX-AAC, SX-AACLT32, SX-AACLT42, SX-ALT32, SX-ALT42, SXAACL-T-OXi-32, SXAACL-T-OXi-42, SX-OXi-AAC
Cover Kit, Trim Pump	36321	SX-A, SX-AAC, SX-AACLT32, SX-AACLT42, SX-ALT32, SX-ALT42, SXAACL-T-OXi-32, SXAACL-T-OXi-42, SX-OXi-AAC
Trim Cylinders	36314	SX-A, SX-A, SX-AAC, SX-AAC, SX-AACLT32, SX-AACLT32, SX-AACLT42, SX-AACLT42, SX-ALT32, SX-ALT32, SX-ALT42, SX-ALT42
Trim Cylinders	36315	SXAACL-T-OXi-32, SXAACL-T-OXi-32, SXAACL-T-OXi-42, SXAACL-T-OXi-42, SX-OXi-AAC, SX-OXi-AAC
Parts Kits, Trim System	36322	SX-A, SX-AAC, SX-AACLT32, SX-AACLT42, SX-ALT32, SX-ALT42, SXAACL-T-OXi-32, SXAACL-T-OXi-42, SX-OXi-AAC
Trim Gauges	35700	SX-A, DPS-A, DPS-A OXi

--

DESCRIPTION	SEE SEC.	NOTES
Steering Cylinder	9931	SX-A, SX-A, SX-AAC, SX-AAC, SX-AACLT32, SX-AACLT32, SX-AACLT42, SX-AACLT42, SX-ALT32, SX-ALT32, SX-ALT42, SX-ALT42
Tie Bar Kit	4614	SX-A, SX-A, SX-AAC, SX-AAC, SX-AACLT32, SX-AACLT32, SX-AACLT42, SX-AACLT42, SX-ALT32, SX-ALT32, SX-ALT42, SX-ALT42
Sterndrive Joystick System	35586	SX-A, SX-AAC, SX-AACLT32, SX-AACLT42, SX-ALT32, SX-ALT42

--

DESCRIPTION	SEE SEC.	NOTES
Repair Kits	9943	SX-A, DPS-A, SX-A, SX-AAC, SX-AACLT32, SX-AACLT42, SX-ALT32, SX-ALT42, SXAACLT-OXi-32, SXAACLT-OXi-42, SX-OXi-AAC, DPS-A OXi 1.78, DPS-A OXi 1.95, DPS-A OXi 2.14



