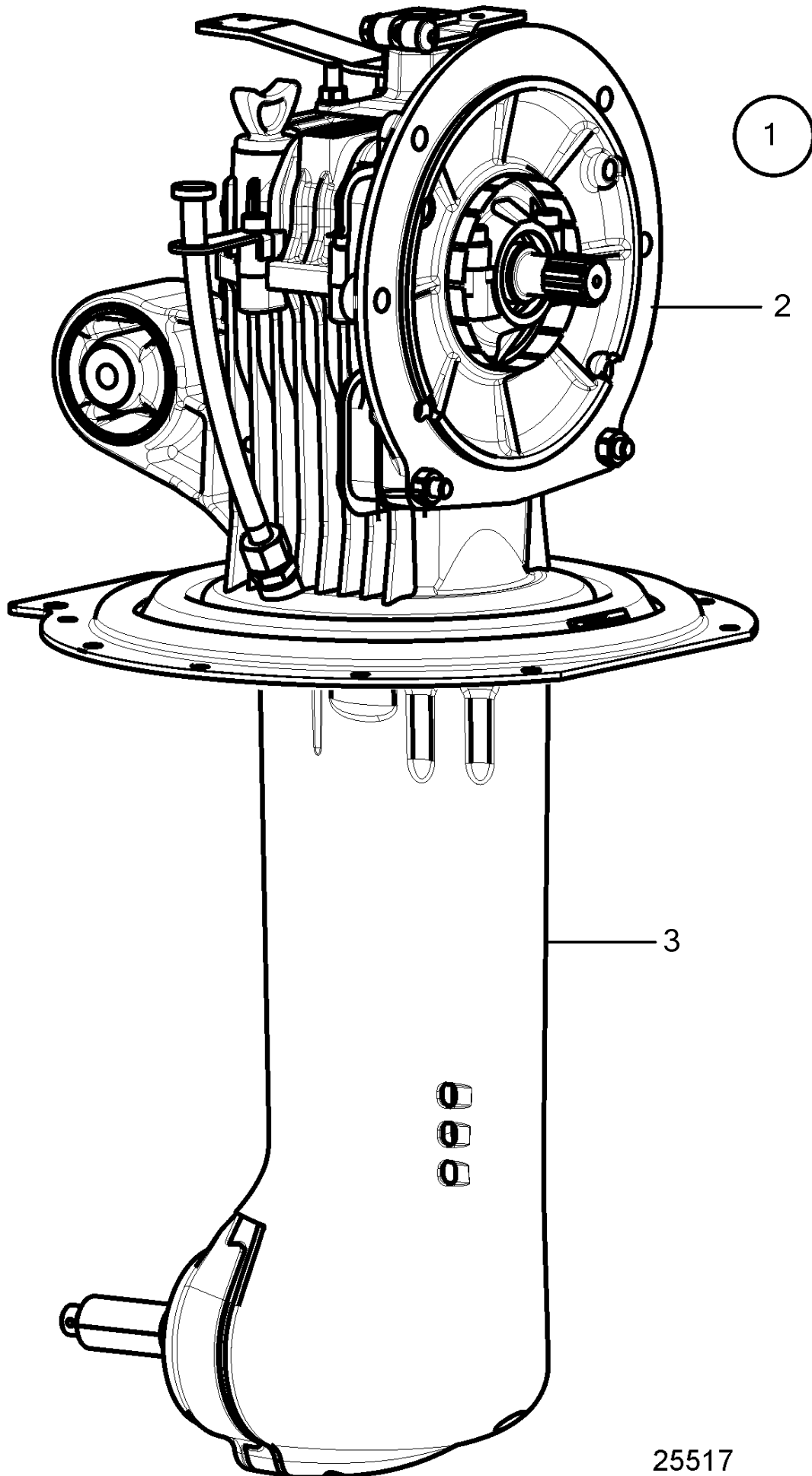


130S-A, 130S-B, 130SR-A, 130SR-B



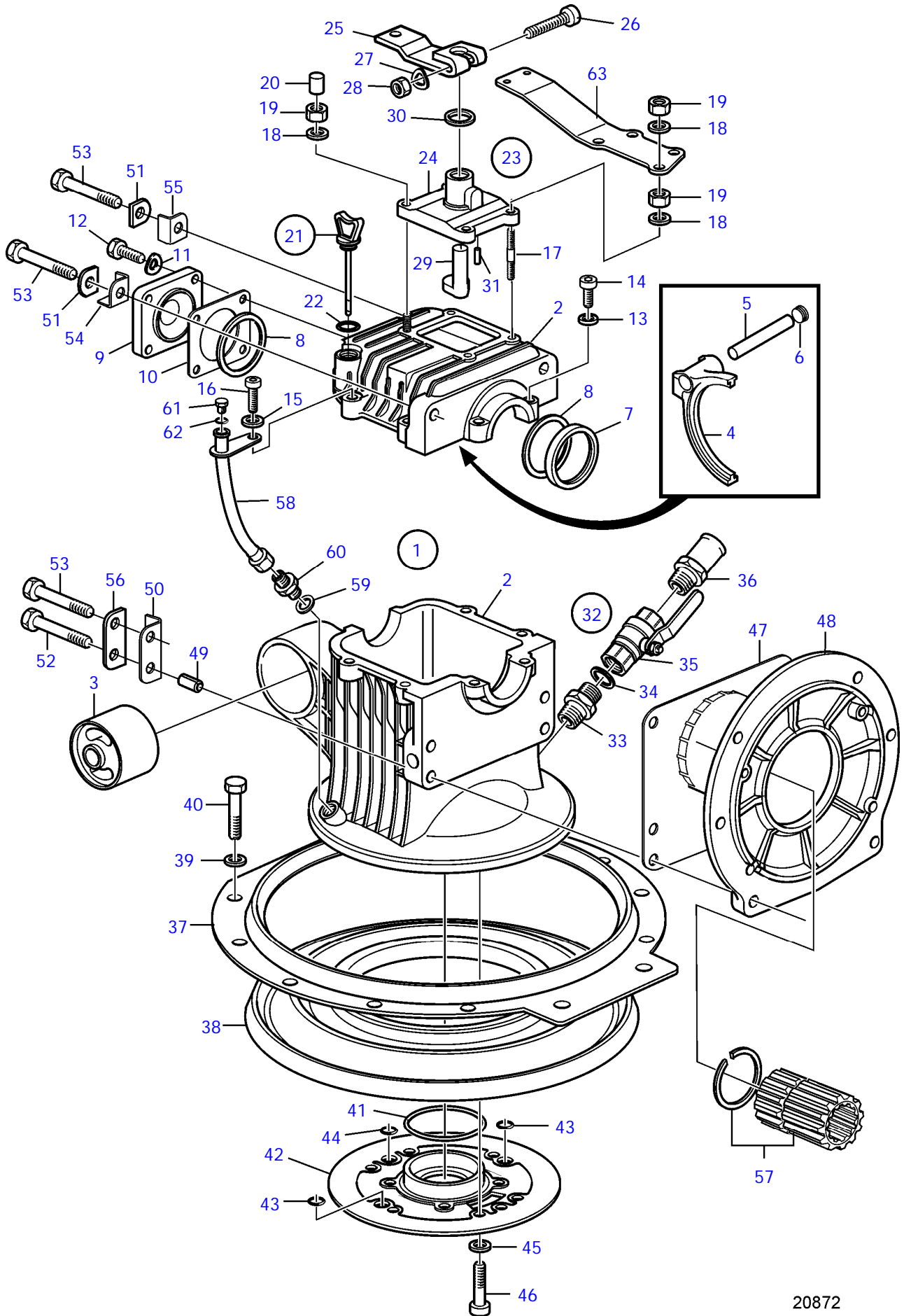
25517

130S-A, 130S-B, 130SR-A, 130SR-B

REF	PART NO.	QTY	DESCRIPTION	SEE SEC.	NOTES
1	3819867	1	Sail drive		Ratio 2.19:1
	3589560	1	Drive		Ratio 2.47:1
2	3589555	1	• Upper gear		Ratio 2.19:1
			•		
			•	7620	
	3589664	1	• Upper gear		Ratio 2.47:1
			•		
			•	10046	
3	3589556	1	• Gear housing		Ratio 2.19:1
			•		
			•	7619	
	3589557	1	• Gear housing		Ratio 2.47:1
			•		
			•	7618	



130S-A, 130S-B, 130SR-A, 130SR-B

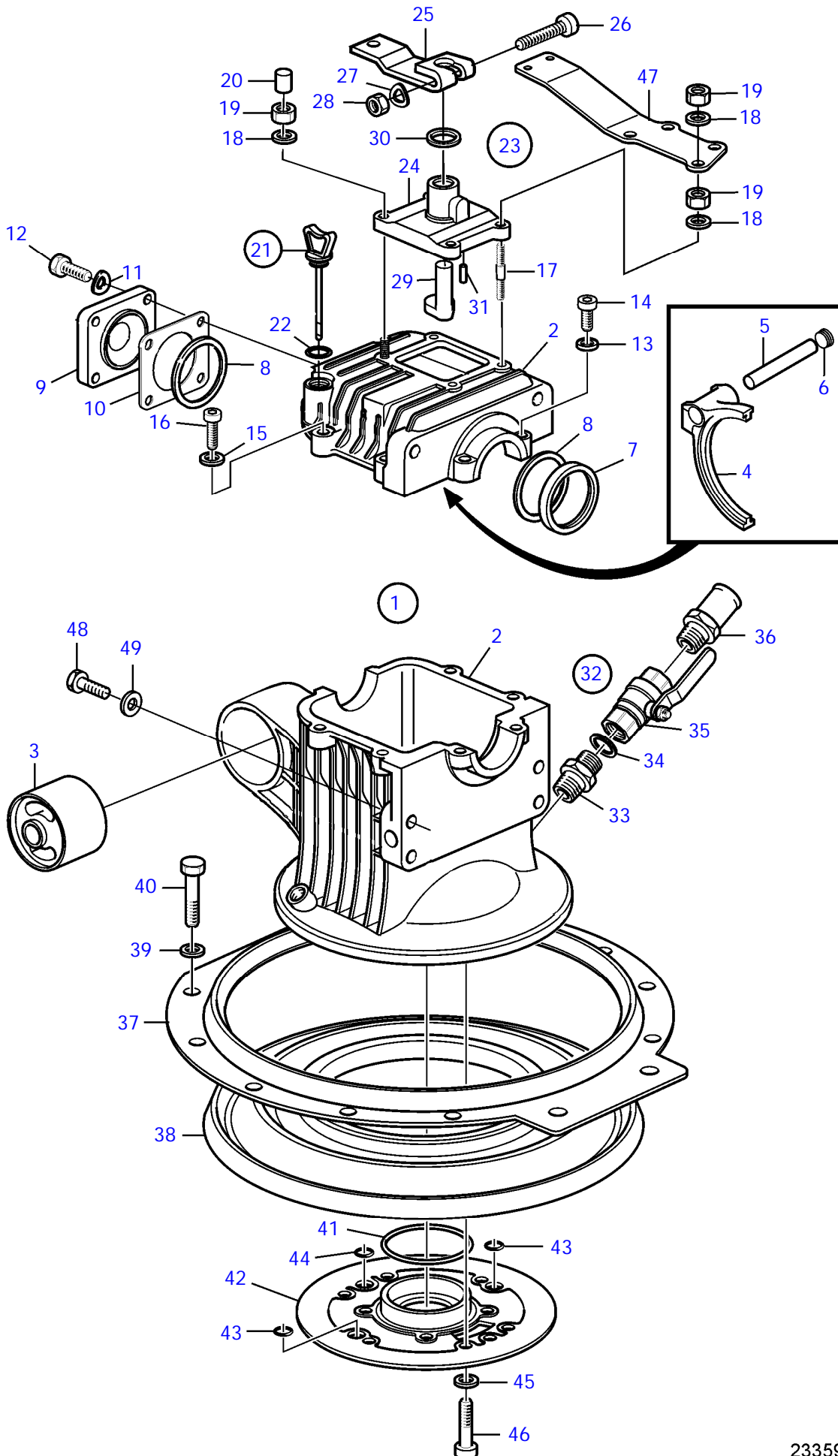


20872

130S-A, 130S-B, 130SR-A, 130SR-B

REF	PART NO.	QTY	DESCRIPTION	SEE SEC.	NOTES
1	3589555	1	Upper gear		Ratio 2.19:1
			• parts not sold separately		
			•	7626	
2		1	• Gear housing		
3	3586700	1	• Rubber bushing		
4	3582551	1	• Shift yoke		Replaced by service kit 40005267
	40005267	1	• Gear changing unit, shift mechanism		Includes shift mechanism 3849903, shaft 3849909 and fork 3593595.
5	3582463	1	• Fork shaft		Replaced by service kit 40005267
6	3581973	1	• Plug		
7	3583322	1	• Sealing		
8	948298	X	• Shim		TJ=0,10mm (3582566)
	948299	X	• Shim		TJ=0,15mm (3582567)
	3582568	X	• Shim		TH=0,20mm
	948300	X	• Shim		TH=0,30mm, (3582569)
	3586724	X	• Shim		TH=0,50mm
	3586728	X	• Shim		TH=1,00mm
9	3582922	1	• Cover		
10	3582557	1	• Gasket		
11	941907	4	• Spring washer		
12	955294	4	• Hexagon screw		
13	941907	6	• Spring washer		
14	941761	6	• Hex. socket screw		
15	941907	2	• Spring washer		
16	959229	2	• Hex. socket screw		
17	3586720	4	• Stud		
18	941907	6	• Spring washer		
19	955782	6	• Hexagon nut		
20		2	• Protecting cap		
21	3807633	1	• Oil dipstick		
22	3582203	1	• O-ring		
23	3849903	1	• Shift mechanism		
24	3582550	1	• Cover		
25	3849913	1	• Engagement lever kit		
26		1	• Screw		Included in kit.
27		2	• Spring washer		Included in kit.
28		1	• Nut		Included in kit.
29		1	• Cam		Included in kit.
30	3581966	1	• Sealing		
31		1	• Pin		Included in kit.
32		1	• Drain cock		
33	3583431	1	• Nipple		
34	947626	1	• Gasket		
35	1140097	1	• Ball valve		
36	3583432	1	• Nipple		
37	3586701	1	• Tensioning ring		
38	3582890	1	• Sealing ring		Included in kit 877362., See group 99
39	941670	10	• Washer		
40	946541	10	• Hex. socket screw		
41	925256	1	• O-ring		
42	3584064	1	• Intermediate plate		
43	944364	2	• O-ring		
44	976994	1	• O-ring		
45	941670	3	• Washer		
46	946541	3	• Hex. socket screw		
47	3583356	1	• Isolation plate		
48	3583355	1	• Flange		
49	3583361	1	• Insulating bushing		
50	3583359	2	• Insulating washer		
51	3583357	2	• Insulating washer		
52	970954	2	• Hexagon screw		L=60mm (970954)
53	965185	4	• Flange screw		L=40mm
54	3583358	1	• Insulating washer		
55	3583357	1	• Insulating washer		
56	3583539	2	• Plate		
57	3843112	1	• Splined sleeve		(3583492)
58	3586321	1	• Oil draining pipe		
59	3807630	1	• Sealing		
60	3807629	1	• Nipple		
61	3807631	1	• Plug		
62			• O-ring		Included in plug.
63	3586718	1	• Bracket		

130S-A, 130S-B, 130SR-A, 130SR-B

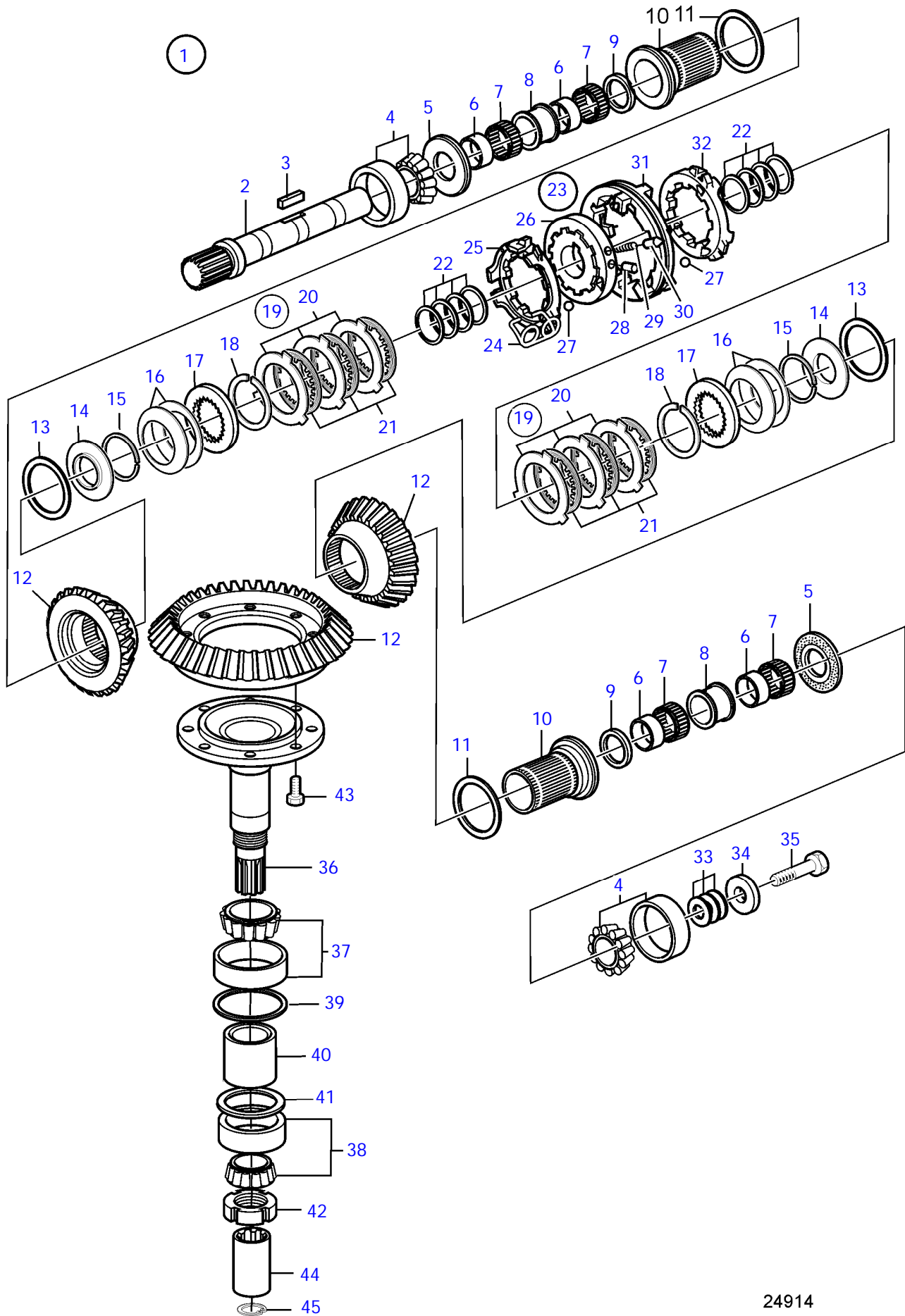


23359

130S-A, 130S-B, 130SR-A, 130SR-B

REF	PART NO.	QTY	DESCRIPTION	SEE SEC.	NOTES
1	3589664	1	Upper gear		Ratio 2.47:1
			.	7626	
2	3808483	1	• Housing		
3	3586700	1	• Rubber bushing		
4	3582551	1	• Shift yoke		Replaced by service kit 40005267
	40005267	1	• Gear changing unit, shift mechanism		Includes shift mechanism 3849903, shaft 3849909 and fork 3593595.
5	3582463	1	• Fork shaft		Replaced by service kit 40005267
6	3581973	1	• Plug		
7	3583322	1	• Sealing		
8	948298	X	• Shim		TJ=0,10mm (3582566)
	948299	X	• Shim		TJ=0,15mm (3582567)
	3582568	X	• Shim		TH=0,20mm
	948300	X	• Shim		TH=0,30mm, (3582569)
	3586724	X	• Shim		TH=0,50mm
	3586728	X	• Shim		TH=1,00mm
9	3582922	1	• Cover		
10	3582557	1	• Gasket		
11	941907	4	• Spring washer		
12	955294	4	• Hexagon screw		
13	941907	6	• Spring washer		
14	941761	6	• Hex. socket screw		
15	941907	2	• Spring washer		
16	959229	2	• Hex. socket screw		
17	3586720	4	• Stud		
18	941907	6	• Spring washer		
19	955782	6	• Hexagon nut		
20		2	• Protecting cap		
21	3807633	1	• Oil dipstick		
22	3582203	1	• • O-ring		
23	3849903	1	• Shift mechanism		
24	3582550	1	• • Cover		
25	3849913	1	• • Engagement lever kit		
26		1	• • • Screw		Included in kit.
27		2	• • • Spring washer		Included in kit.
28		1	• • • Nut		Included in kit.
29		1	• • • Cam		
30	3581966	1	• • Sealing		
31		1	• • Pin		Included in kit.
32		1	• Drain cock		
33	3583431	1	• • Nipple		
34	947626	1	• • Gasket		
35	1140097	1	• • Ball valve		
36	3583432	1	• • Nipple		
37	3586701	1	• Tensioning ring		
38	21389074	1	• Rubber bellows		
			.	7621	
39	941670	10	• Washer		
40	946541	10	• Hex. socket screw		
41	925256	1	• O-ring		
42	3584064	1	• Intermediate plate		
43	944364	2	• O-ring		
44	976994	1	• O-ring		
45	941670	3	• Washer		
46	946541	3	• Hex. socket screw		
47	3586718	1	Bracket		
48	965185	6	Flange screw		
49	976945	6	Washer		

130S-A, 130S-B, 130SR-A, 130SR-B

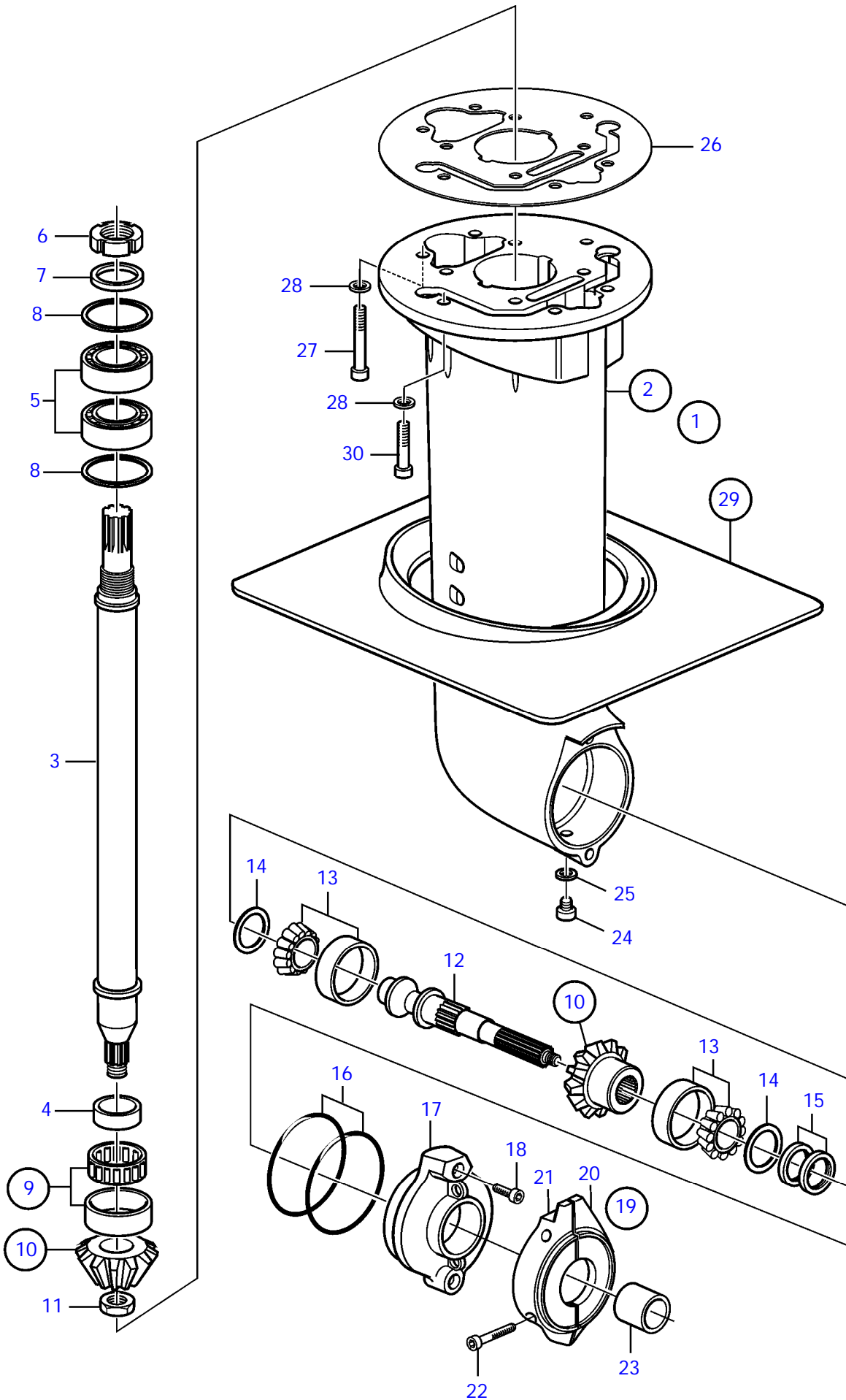


24914

130S-A, 130S-B, 130SR-A, 130SR-B

REF	PART NO.	QTY	DESCRIPTION	NOTES
1		1	Input shaft	
2	3841088	1	• Input shaft	
3	3582591	2	• Key	
4	183834	2	• Roller bearing	
5	3582571	2	• Thrust washer	
6	3582904	4	• Inner race	
7	3582905	4	• Needle bearing	
8	3582906	2	• Spacer ring	
9	3582914	2	• Spacer	
10	3582907	2	• Bushing	
11	3582908	X	• Shim	TH=0,10mm
	3586721	X	• Shim	TH=0,15mm
	3582911	X	• Shim	TH=0,20mm
	3582910	X	• Shim	TH=0,30mm
	3586723	X	• Shim	TH=0,50mm
12	3586547	1	• Gear set	
13	948298	X	• Shim	TJ=0,10mm (3582566)
	948299	X	• Shim	TJ=0,15mm (3582567)
	3582568	X	• Shim	TH=0,20mm
	948300	X	• Shim	TH=0,30mm, (3582569)
	3586724	X	• Shim	TH=0,50mm
	3586728	X	• Shim	TH=1,00mm
14	3582914	2	• Spacer	
15	3582913	2	• Ring	
16	3808598	2	• Disc spring	
17	3849908	2	• End disc	
18	3582917	2	• Lock ring	
19	3848817	1	• Disc kit	
20	3582579	6	• • Disc, outer	
21	3582578	6	• • Disc, inner	
22	3582872	X	• Shim	TH=0,15mm
	3583430	X	• Shim	TH=0,20mm
	3583429	X	• Shim	TH=0,30mm
	3582580	X	• Shim	TH=0,40mm
	3582581	X	• Shim	TH=0,50mm
	3582582	X	• Shim	TH=0,60mm
	3582583	X	• Shim	TH=0,70mm
23	3593848	1	• Gear selector contro	(3817185)
24	3582024	3	• • Torsion spring	
25			• • Retainer	Included in kit.
26	3582898	1	• • Ring	
27	3582585	6	• • Ball	
28	3582590	3	• • Spindle	
29	3582588	3	• • Spring	
30	3582589	3	• • Stop pin	
31			• • Sleeve	Included in kit.
32			• • Retainer	Included in kit.
33	3586725	X	• Shim	TH=0,10mm
	3586726	X	• Shim	TH=0,15mm
	3582900	X	• Shim	TH=0,20mm
	3582901	X	• Shim	TH=0,50mm
	3586727	X	• Shim	TH=1,00mm
34	3582899	1	• Washer	
35	3808717	1	• Screw	
36	3582879	1	• Gear	
37	11041	1	• Roller bearing	
38	183834	1	• Roller bearing	
39	3586729	X	• Shim	TH=0,10mm
	3582874	X	• Shim	TH=0,15mm
	3582875	X	• Shim	TH=0,20mm
	3586730	X	• Shim	TH=0,50mm
	3586731	X	• Shim	TH=1,00mm
40	3582880	1	• Spacer	
41	3808718	X	• Shim	TH=0,10mm
	3582872	X	• Shim	TH=0,15mm
	3583430	X	• Shim	TH=0,20mm
	3583429	X	• Shim	TH=0,30mm
	3582580	X	• Shim	TH=0,40mm
	3582581	X	• Shim	TH=0,50mm
	3582582	X	• Shim	TH=0,60mm
	3582583	X	• Shim	TH=0,70mm
42	3582925	1	• Lock nut	
43	955271	8	• Hexagon screw	
44	3582894	1	Splined sleeve	
45	3583350	1	Lock ring	

130S-A, 130S-B, 130SR-A, 130SR-B

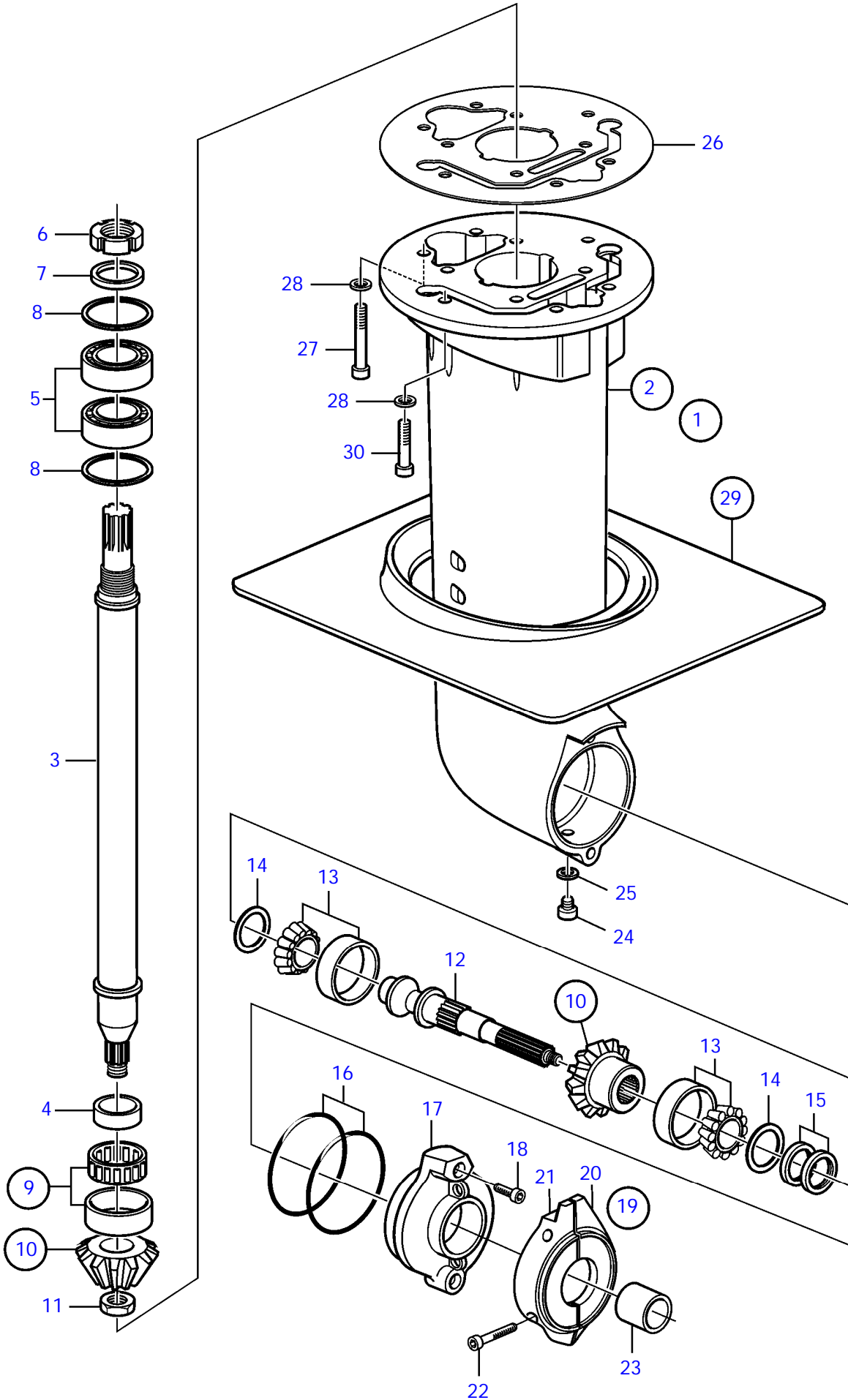


130S-A, 130S-B, 130SR-A, 130SR-B

REF	PART NO.	QTY	DESCRIPTION	NOTES
1	3589556	1	Gear housing	
2	3584492	1	• Gear housing	Replaced by 3819860.
	3819860	1	• Gear housing	
3	3808719	1	• • Shaft	
4	889736	1	• Inner ring	
5	11041	2	• Roller bearing	
6	3586672	1	• Lock nut	
7	889738	1	• Spacer ring	
8	3586729	X	• Shim	TH=0.10mm
	3582874	X	• Shim	TH=0.15mm
	3582875	X	• Shim	TH=0,20mm
	3586730	X	• Shim	TH=0,50mm
	3586731	X	• Shim	TH=1,00mm
9	3586323	1	• Needle bearing	
10	3583363	1	• Gear set	Ratio 2.19:1
11	3582885	1	• Nut	
12	3582888	1	• Propeller shaft	
13	3854249	2	• Roller bearing	(3582473)
14	851980	X	• Adjusting washer	TH=0.10mm, (3582477)
	851981	X	• Adjusting washer	TH=0.15mm, (3582478)
	3582876	X	• Shim	TH=0,20mm
	851982	X	• Adjusting washer	TH=0,30mm, (3582479)
	3583347	X	• Shim	TH=0,50mm
	3582480	X	• Shim	TH=1,00mm
15	3593663	2	• Sealing ring	
16	889672	2	• O-ring	
17	3584278	1	• Bearing housing	
18	946541	2	• Hex. socket screw	L=25mm
19	3888305	1	• Anode kit, zinc	
	3888306	1	• Anode kit, magnesium	
20		1	• • Anode	
21		1	• • Anode	Left
22	963688	2	• • Hex. socket screw	L=40mm
23	3582887	1	• Spacer	
24	3854539	1	• Plug	
25	3855081	1	• • O-ring	
26	3586693	1	Gasket	
27	963703	8	Hex. socket screw	Obsolete part
28	941670	10	Washer	
29	854932	1	Mounting kit	(3583365)
30	963700	2	Hex. socket screw	



130S-A, 130S-B, 130SR-A, 130SR-B



130S-A, 130S-B, 130SR-A, 130SR-B

REF	PART NO.	QTY	DESCRIPTION	NOTES
1	3589557	1	Gear housing	
2	3584492	1	• Gear housing	Replaced by 3819860.
	3819860	1	• Gear housing	
3	3808719	1	• • Shaft	
4	889736	1	• Inner ring	
5	11041	2	• Roller bearing	
6	3586672	1	• Lock nut	
7	889738	1	• Spacer ring	
8	3586729	X	• Shim	TH=0.10mm
	3582874	X	• Shim	TH=0.15mm
	3582875	X	• Shim	TH=0,20mm
	3586730	X	• Shim	TH=0,50mm
	3586731	X	• Shim	TH=1,00mm
9	3586323	1	• Needle bearing	
10	3583362	1	• Gear set	Ratio 2.47:1
11	3582885	1	• Nut	
12	3582888	1	• Propeller shaft	
13	3854249	2	• Roller bearing	
14	851980	X	• Adjusting washer	TH=0.10mm, (3582477)
	851981	X	• Adjusting washer	TH=0.15mm, (3582478)
	3582876	X	• Shim	TH=0,20mm
	851982	X	• Adjusting washer	TH=0,30mm, (3582479)
	3583347	X	• Shim	TH=0,50mm
	3582480	X	• Shim	TH=1,00mm
15	3593663	2	• Sealing ring	
16	889672	2	• O-ring	
17	3584278	1	• Bearing housing	
18	946541	2	• Hex. socket screw	L=25mm
19	3888305	1	• Anode kit, zinc	
	3888306	1	• Anode kit, magnesium	
20		1	• • Anode	
21		1	• • Anode	Left
22	963688	2	• • Hex. socket screw	L=40mm
23	3582887	1	• Spacer	
24	3854539	1	• Plug	
25	3855081	1	• • O-ring	
26	3586693	1	Gasket	
27	963703	8	Hex. socket screw	Obsolete part
28	941670	10	Washer	
29	854932	1	Mounting kit	(3583365)
30	963700	2	Hex. socket screw	

130S-A, 130S-B, 130SR-A, 130SR-B

REF	PART NO.	QTY	DESCRIPTION	NOTES
1	3817194	1	Sealing kit	
	889672	2	• O-ring	
	925256	1	• O-ring	
	944364	2	• O-ring	
	947626	1	• Gasket	
	976994	1	• O-ring	
	3581966	1	• Sealing	
	3582203	1	• O-ring	
	3582557	1	• Gasket	
	3593663	2	• Sealing ring	
	3583322	1	• Sealing	
	3586693	1	• Gasket	
	3848817	1	Disc kit	(877370)
	3583322	2	• Sealing	
	3582557	1	• Gasket	
	948298	4	• Shim	
	948299	4	• Shim	
	948300	4	• Shim	
	3582571	2	• Thrust washer	
	3582578	6	• Disc	
	3582024	3	• Torsion spring	
	3849908	2	• End disc	
	3582579	6	• Disc	
	3582917	2	• Lock ring	
	21389074	1	Rubber bellows	
		1	• Rubber bellows	
		1	• Cover plate	
	960238	1	• O-ring	
	21112496	1	• Sealing ring kit	
	3582896	1	• • Locking wire	L=700mm
	925256	1	• • O-ring	
	3856834	1	• • Gasket	
	21112497	1	• Sealing ring kit	
	925256	1	• • O-ring	
	944364	2	• • O-ring	
	976994	1	• • O-ring	
	3586693	1	• • Gasket	

130S-A, 130S-B, 130SR-A, 130SR-B

REF	PART NO.	QTY	DESCRIPTION	NOTES
1	3817194	1	Sealing kit	
	889672	2	• O-ring	
	925256	1	• O-ring	
	944364	2	• O-ring	
	947626	1	• Gasket	
	976994	1	• O-ring	
	3581966	1	• Sealing	
	3582203	1	• O-ring	
	3582557	1	• Gasket	
	3593663	2	• Sealing ring	
	3583322	1	• Sealing	
	3586693	1	• Gasket	
	3848817	1	Disc kit	(877370)
	3583322	2	• Sealing	
	3582557	1	• Gasket	
	948298	4	• Shim	
	948299	4	• Shim	
	948300	4	• Shim	
	3582571	2	• Thrust washer	
	3582578	6	• Disc	
	3582024	3	• Torsion spring	
	3849908	2	• End disc	
	3582579	6	• Disc	
	3582917	2	• Lock ring	

--

DESCRIPTION	SEE SEC.	NOTES
Drive 130S-A, 130S-B, 130SR-A,130SR-B, Complete: Ratio 2.19:1, 2.47:1	36403	130S-A, 130S-B, 130SR-A, 130SR-B
Upper Gear Unit, Sail Boat Drive Unit 130S, 130SR: RATIO 2.19:1	7620	130S-A, 130S-B, 130SR-A, 130SR-B
Upper Gear Unit, Sail Boat Drive Unit 130S, 130SR: RATIO 2.47:1	10046	130S-A, 130S-B, 130SR-A, 130SR-B
Upper Gear Unit, Sail Boat Drive Unit 130S, 130SR, Components	7626	130S-A, 130S-B, 130SR-A, 130SR-B
Lower Gear Unit Sail Boat Drive Unit 130S, 130SR: RATIO 2.19:1	7619	130S-A, 130S-B, 130SR-A, 130SR-B
Lower Gear Unit Sail Boat Drive Unit 130S, 130SR: RATIO 2.47:1	7618	130S-A, 130S-B, 130SR-A, 130SR-B

--

DESCRIPTION	SEE SEC.	NOTES
Overhaul Kits and Sealing Ring Kits: 130S, 130SR: RATIO 2.19:1	7621	130S-A, 130S-B, 130SR-A, 130SR-B
Overhaul Kits and Sealing Ring Kits: 130S, 130SR: RATIO 2.47:1	7621B	130S-A, 130S-B, 130SR-A, 130SR-B

--

REF	DESCRIPTION	SEE SEC.
44	Transmissions	44
99	Repair Kits	99

