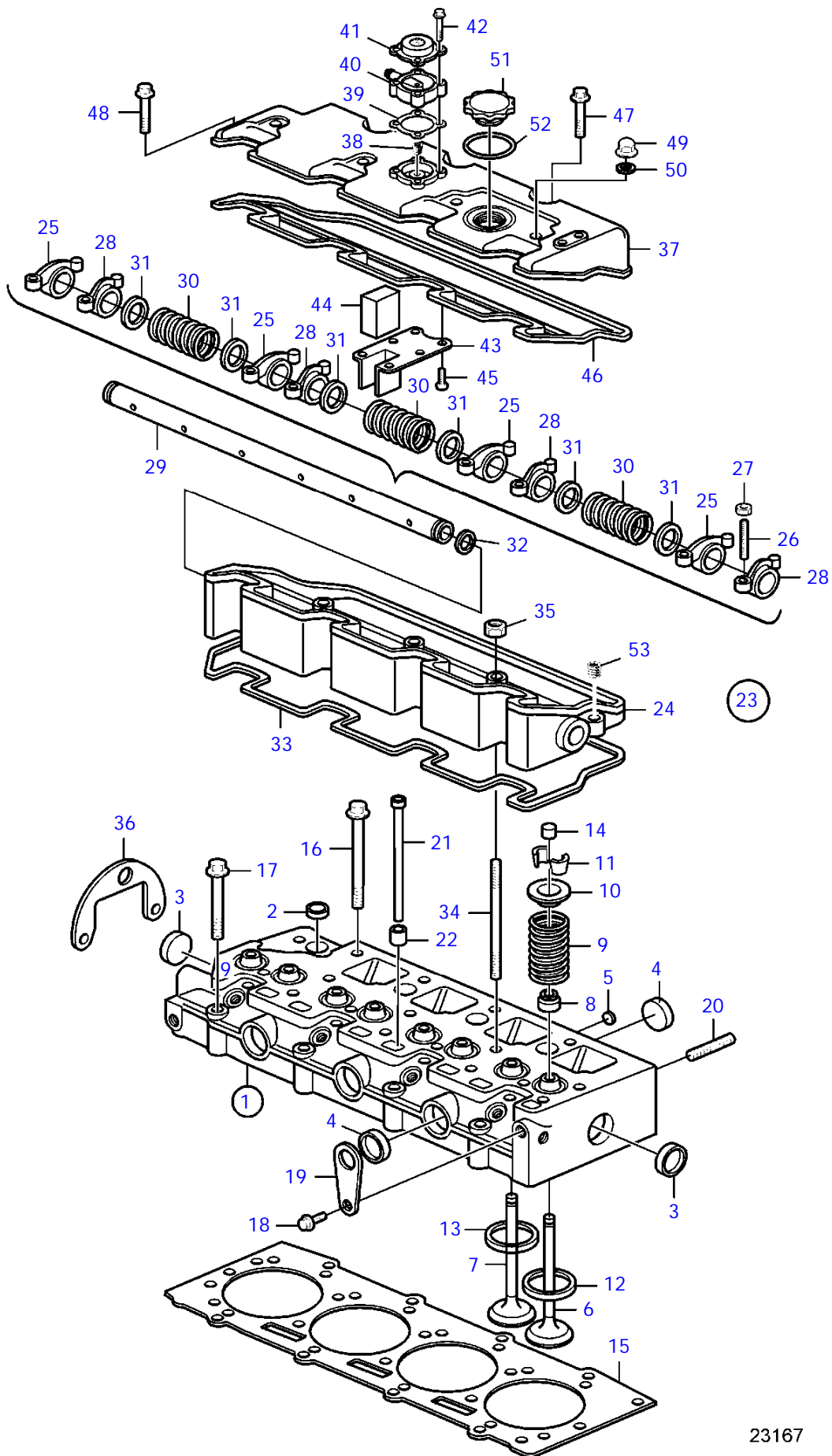


D2-75A, D2-75B, D2-75C

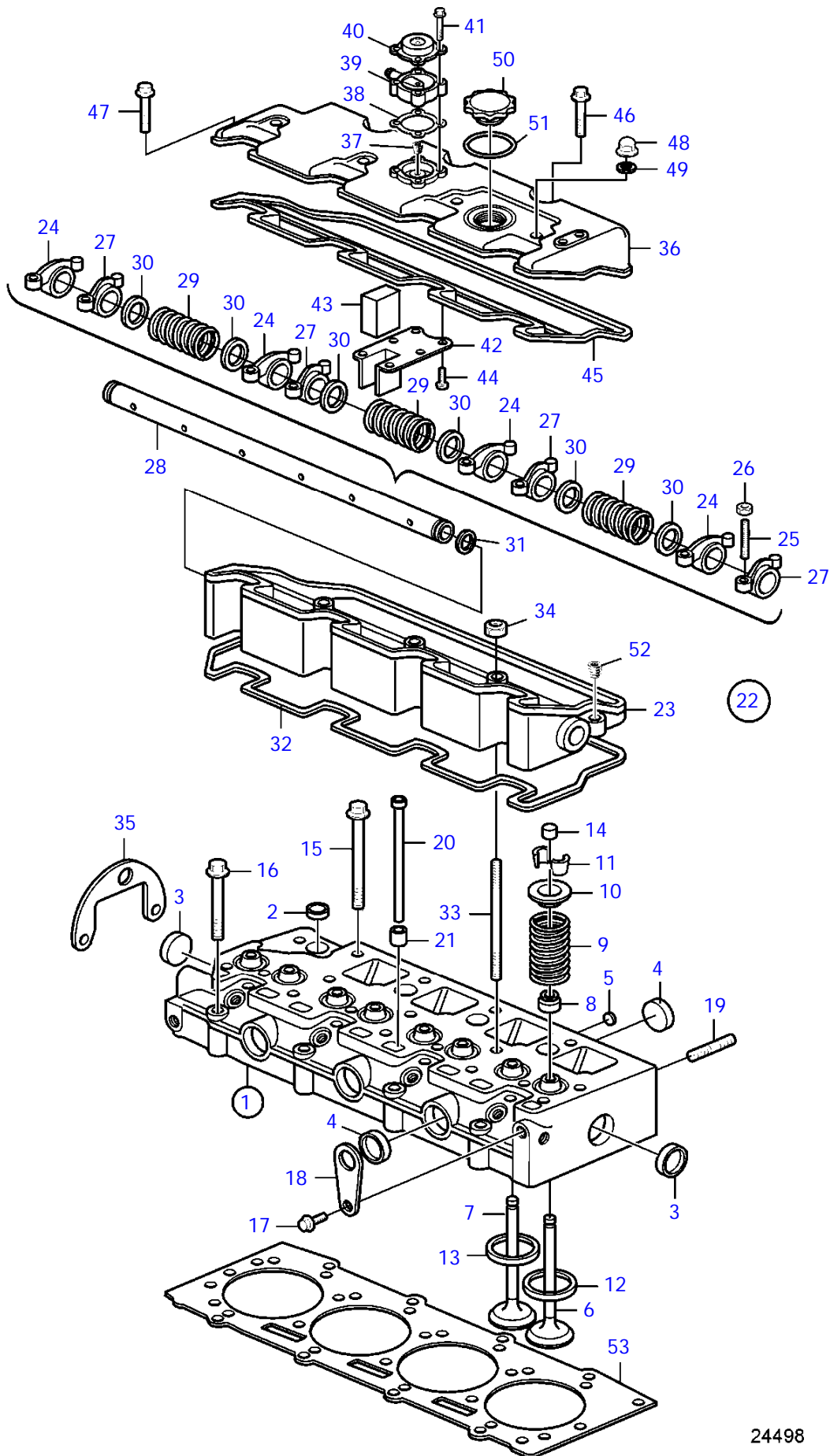


23167

D2-75A, D2-75B, D2-75C

REF	PART NO.	QTY	DESCRIPTION	NOTES
1	3584103	1	Cylinder head	
2	861802	7	* Plug	Replaced by 3886428
	3886428	7	* Cardboard tube	
3	3886441	2	* Plug	
4	3583696	6	* Plug	
5	3580477	3	* Plug	
6	3580478	4	* Inlet valve	
7	21733891	4	* Valve	
8	3580306	4	* Valve stem seal, intake	
	3580305	4	* Valve stem seal, exhaust	
9	3580964	8	* Valve spring	
10	3580307	8	* Valve spring washer	
11	3580308	16	* Valve cone	
12	3842086	4	* Valve seat, intake	
13	3809624	4	* Valve seat, intake	
14	21250646	8	Valve cap	
15	21228429	1	Cylinder head gasket	
16	3580483	14	Screw	
17	3580484	4	Screw	
18	861870	1	Screw	
19	3583556	1	Lifting eye	
20	3580520	4	Stud	
21	3583662	8	Push rod	
22	3580464	8	Tappet	
23	3583543	1	Rocker arm	Complete
24		1	* Bracket	
25	3580487	4	* Rocker arm	
26	861877	8	* Screw	
27	861878	8	* Nut	
28	3580486	4	* Rocker arm	
29	3583547	1	* Shaft	
30	3580490	3	* Spring	
31	3580491	6	* Adjusting washer	
32	861997	1	* O-ring	
33	3583546	1	Gasket	
34	3580493	4	Stud	
35	3583664	4	Nut	
36		1	Lifting eye	
37	3584114	1	Valve cover	
38	3809690	1	Plug	
39	3584112	1	Gasket	
40	3584111	1	Adapler	
41	3583660	1	Breather pipe	
42	3584113	4	Screw	
43	3583661	1	Retainer	
44	3580320	1	Filter	
45	3583663	6	Screw	
46	889486	1	Gasket	
47	965178	3	Flange screw	(3580054)
48	3580258	2	Screw	
49	3580241	4	Nut	
50	3580499	4	Gasket	
51	21311518	1	Cover	
52	861897	1	O-ring	
53	3809690	1	Plug	

D2-75F

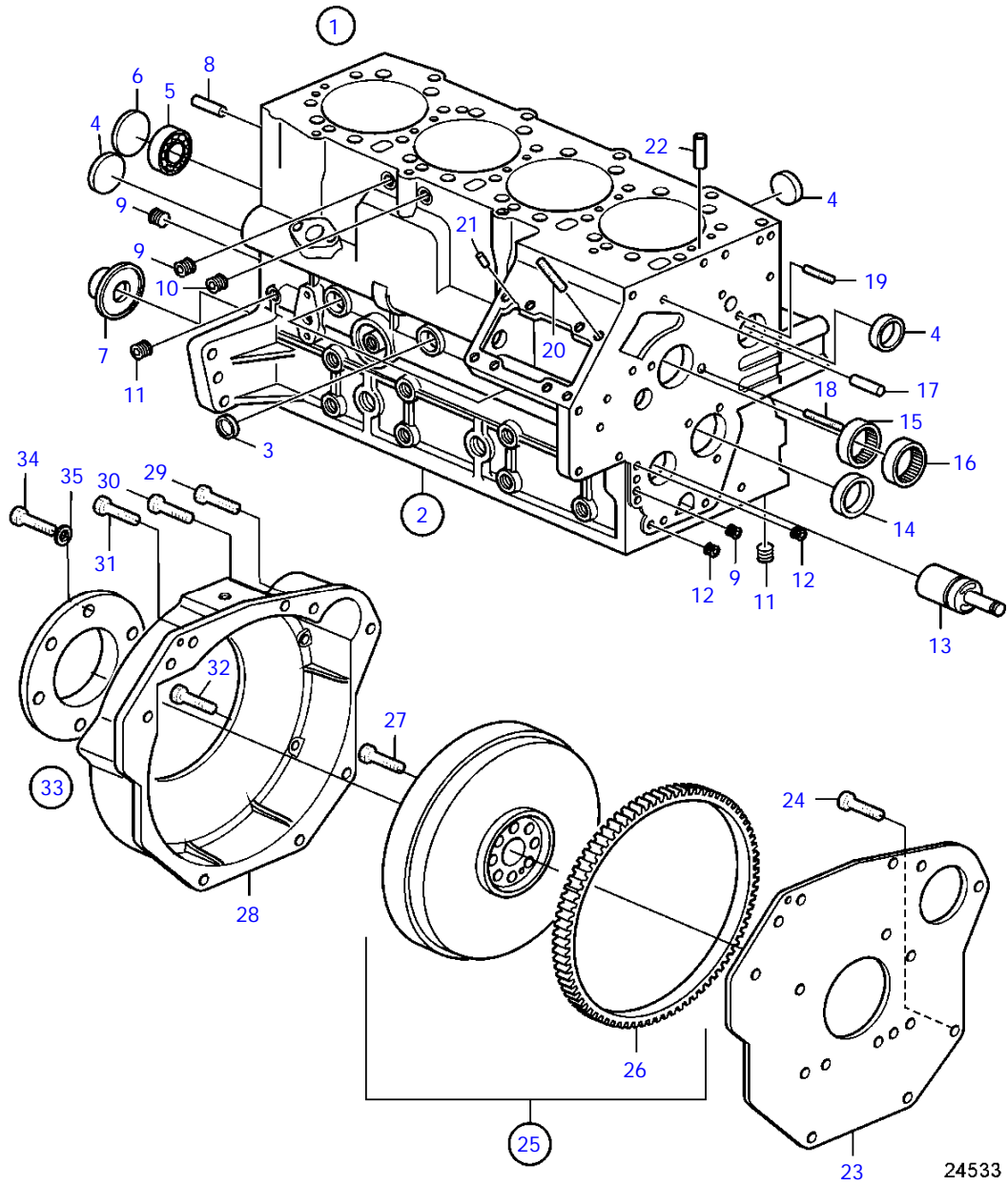


24498

D2-75F

REF	PART NO.	QTY	DESCRIPTION	NOTES
1	3801334	1	Cylinder head	
2	3886428	7	* Cardboard tube	
3	3580302	2	* Plug	
4	3583696	6	* Plug	
5	3580477	3	* Plug	
6	21186281	4	* Valve, intake	
7	21307714	4	* Valve, exhaust	
8	3580306	4	* Valve stem seal, intake	
	3580305	4	* Valve stem seal, exhaust	
9	3580964	8	* Valve spring	
10	3580307	8	* Valve spring washer	
11	3580308	16	* Valve cone	
12	3842086	4	* Valve seat, intake	
13	3809624	4	* Valve seat, exhaust	
14	21250646	8	Valve cap	
15	3580483	14	Screw	
16	3580484	4	Screw	
17	861870	1	Screw	
18	3583556	1	Lifting eye	
19	3580520	4	Stud	
20	3583662	8	Push rod	
21	3580464	8	Tappet	
22	21186316	1	Rocker arm	Replaced by 21306331
	21306331	1	Rocker arm	
23		1	* Bracket	
24	3580487	4	* Rocker arm	
25	861877	8	* Screw	
26	861878	8	* Nut	
27	3580486	4	* Rocker arm	
28	3583547	1	* Shaft	
29	3580490	3	* Spring	
30	3580491	6	* Adjusting washer	
31	861997	1	* O-ring	
32	3583546	1	Gasket	
33	3580493	4	Stud	
34	3583664	4	Nut	
35		1	Lifting eye	
36	3584114	1	Valve cover	
37	3809690	1	Plug	
38	3584112	1	Gasket	
39	3584111	1	Adapler	
40	3583660	1	Breather pipe	
41	3584113	4	Screw	
42	3583661	1	Retainer	
43	3580320	1	Filter	
44	3583663	6	Screw	
45	889486	1	Gasket	
46	965178	3	Flange screw	
47	3580258	2	Screw	
48	3580241	4	Nut	
49	3580499	4	Gasket	
50	21311518	1	Cover	
51	861897	1	O-ring	
52	3809690	1	Plug	
53	21186298	1	Gasket	TH=1.2mm
	21186299	1	Gasket	TH=1.3mm

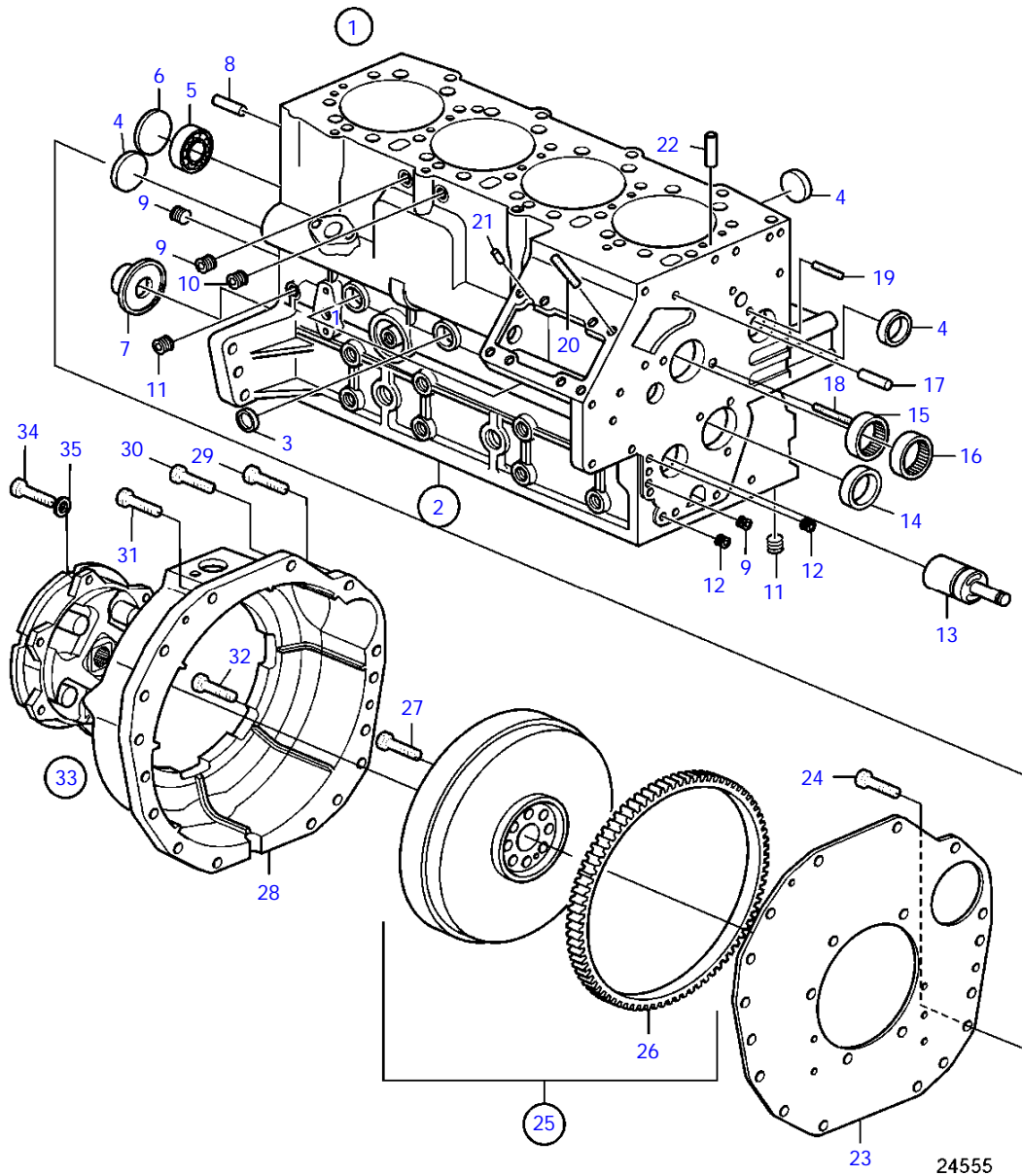
D2-75A, D2-75B, D2-75C



D2-75A, D2-75B, D2-75C

REF	PART NO.	QTY	DESCRIPTION	SEE SEC.	NOTES
1		1	Cylinder block		
2	(3584102)	1	* Cylinder block		Obsolete part
3	3583696	2	* Plug		
4	3583697	3	* Plug		
5	861812	1	* Bearing		
6	861813	1	* Expansion plug		
7	3583700	1	* Sealing		
8		2	* Pin		
9	861806	3	* Plug		
10	3583699	2	* Plug		
11		3	* Plug		
12	3580455	2	* Plug		
13	(3583704)	1	* Shaft		Replaced by 21541021, Obsolete part
	21541021	1	Oil pump		
14	3583701	1	* Bushing		
15	3583702	1	* Bearing		
16	3583703	1	* Bearing		
17		2	* Dowel		
18	3583708	1	* Stud		
19	3583709	1	* Stud		
20	3583705	3	* Stud		
21		1	* Pin		
22	861818	2	* Spring pin		
23	3583724	1	Plate		
24	861870	10	Screw		
25	3583691	1	Flywheel		
26	3583850	1	* Gear ring		
27	3580561	6	Screw		
28	3587360	1	Flywheel housing		
29	3583726	2	Screw		
30	3583727	6	Screw		
31	11998890	4	Screw		
32	3583728	2	Screw		
33	3812226	1	Flexible coupling		
			* Bulletin P-44-2-2	P-44-2-2-EN	Flexible Coupling Kit
34	959223	6	* Hex. socket screw		
35	3808568	6	Spacer washer		

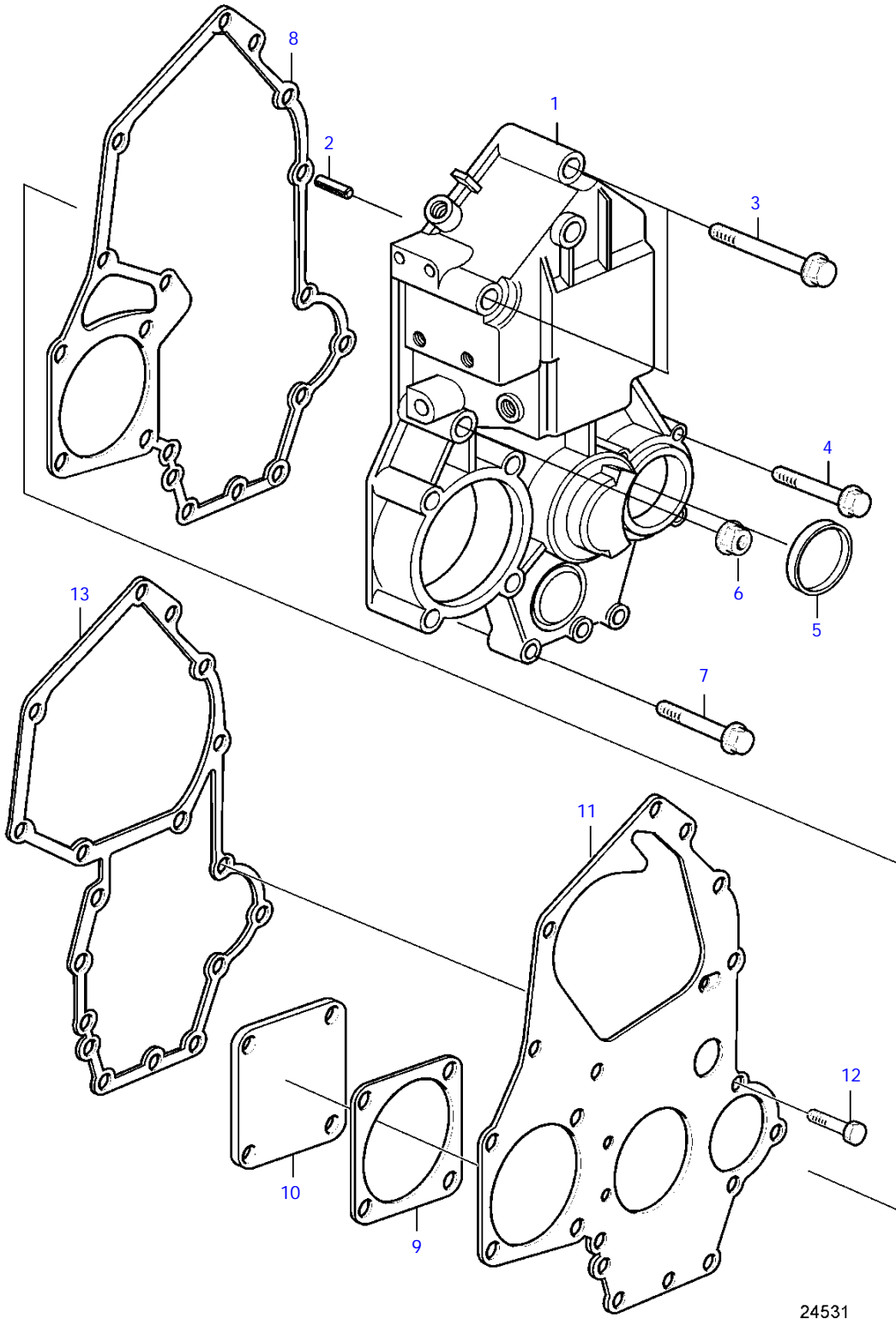
D2-75F



D2-75F

REF	PART NO.	QTY	DESCRIPTION	SEE SEC.	NOTES
1		1	Cylinder block		
2		1	* Cylinder block		
3	3583697	2	* * Plug		
4	3583697	3	* * Plug		
5	11010	1	* Ball bearing		
6	861813	1	* Expansion plug		
7	3583700	1	* Sealing		
8		2	* Pin		
9	861806	3	* Plug		
10	3583699	2	* Plug		
11		3	* Plug		
12	3580455	2	* Plug		
13	21188306	1	* Shaft		Replaced by 21541019
	21541019	1	Oil pump		
14	3583701	1	* Bushing		
15	3583702	1	* Bearing		
16	3583703	1	* Bearing		
17		2	* Dowel		
18	3583708	1	* Stud		
19	3583709	1	* Stud		
20	3583705	3	* Stud		
21		1	* Pin		
22	861818	2	* Spring pin		
23	3583724	1	Plate		
24	861870	10	Screw		
25	3583691	1	Flywheel		
26	3583850	1	* Gear ring		
27	3580561	6	Screw		
28	3587360	1	Flywheel housing		
29	3583726	2	Screw		
30	3583727	6	Screw		
31	21252735	4	Flange screw		
32	3583728	2	Screw		
33	3812226	1	Flexible coupling		
			* Bulletin P-44-2-2	P-44-2-2-EN	Flexible Coupling Kit
34	959223	6	* Hex. socket screw		
35	3808568	6	Spacer washer		

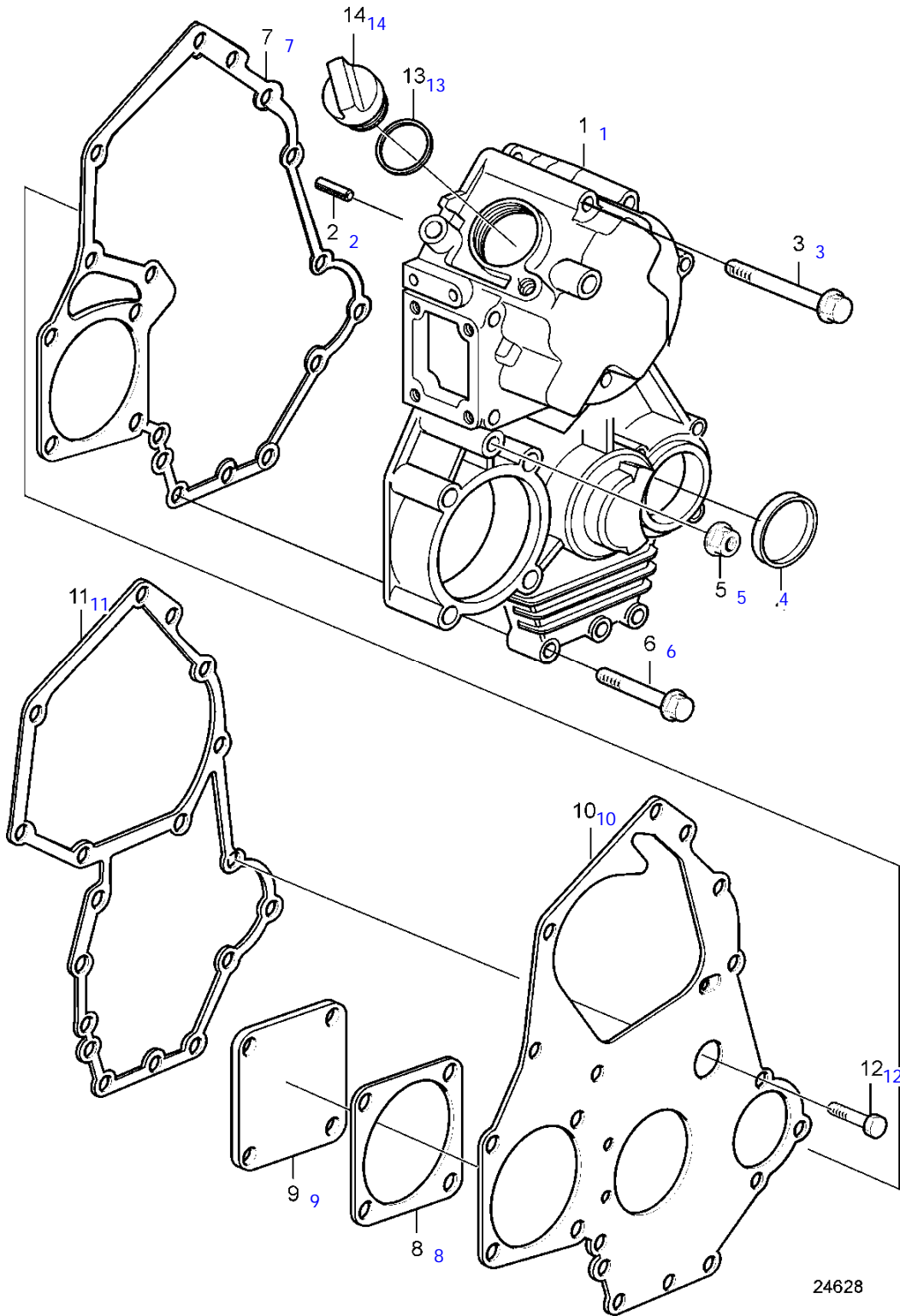
D2-75A, D2-75B, D2-75C



D2-75A, D2-75B, D2-75C

REF	PART NO.	QTY	DESCRIPTION
1	3583550	1	Timing gear casing
2		1	* Tensioning din
3	861899	2	Screw
4	965178	3	Flange screw
5	3580586	1	Sealing ring
6	945407	1	Flange nut
7	3580371	7	Screw
8	3583710	1	Gasket
9	3580378	1	Gasket
10	21193270	1	Cover
11		1	Front plate
12	3583709	1	Stud
13	3583707	1	Gasket

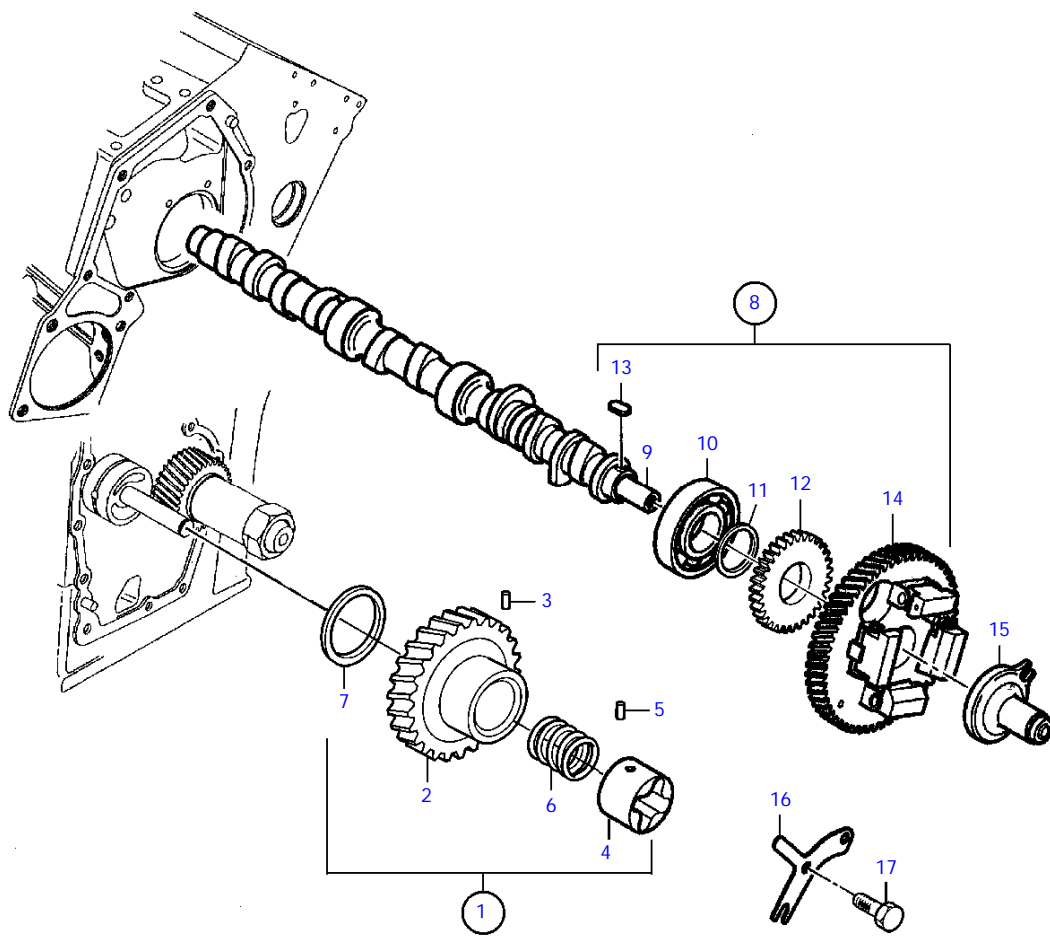
D2-75F



D2-75F

REF	PART NO.	QTY	DESCRIPTION
1	21193790	1	Timing gear casing
2		1	Tensioning din
3	965178	3	Flange screw
4	3580586	1	Sealing ring
5	945407	1	Flange nut
6	3580053	5	Screw
7	3583710	1	Gasket
8	3580378	1	Gasket
9	21193270	4	Cover
10	21263150	1	Front plate
11	3583707	1	Gasket
12	861526	1	Screw
13	3886406	1	Sealing
14	3809653	1	Oil filler cap

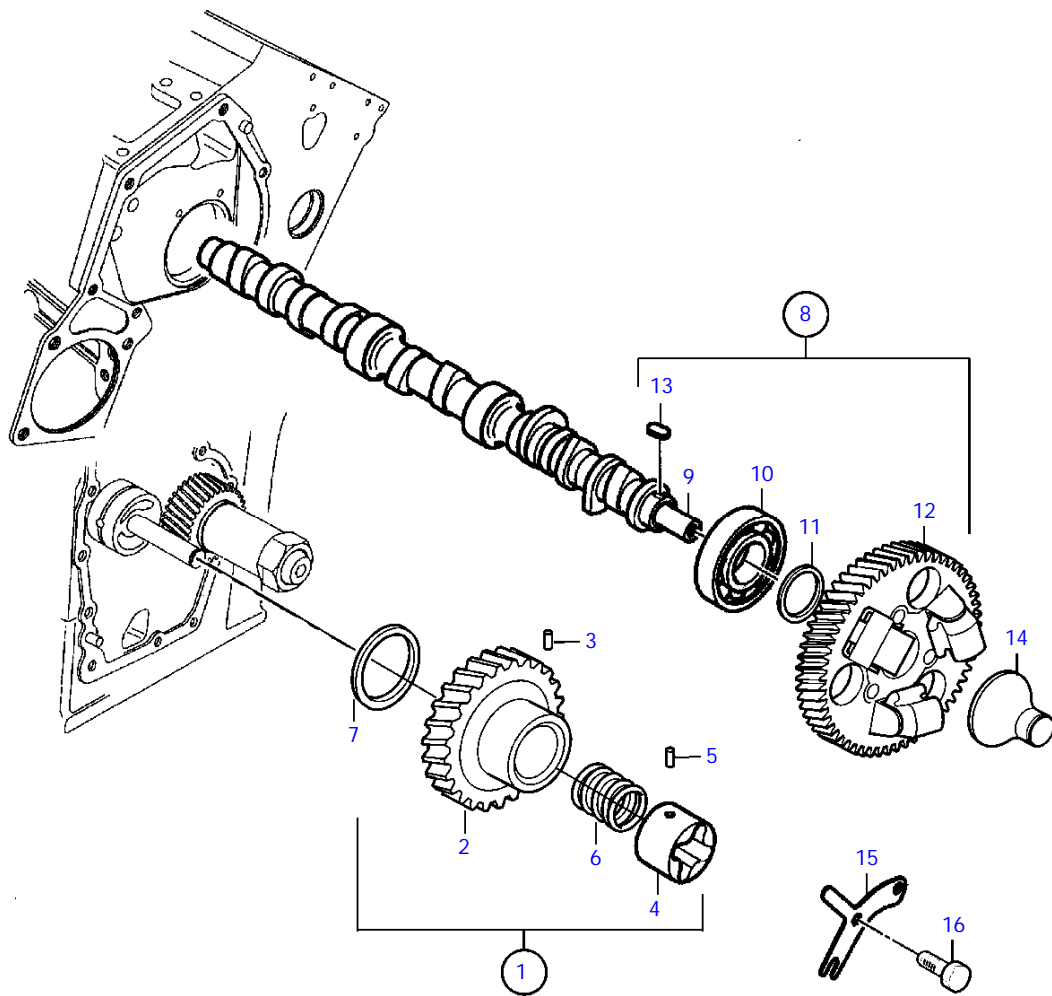
D2-75A, D2-75B, D2-75C



20038

D2-75A, D2-75B, D2-75C

REF	PART NO.	QTY	DESCRIPTION	NOTES
1	3580569	1	Gear	Replaced by 21541021
	21541021	1	Oil pump	
2			* Gear	
3	3583721	3	* Bushing	
4	3583722	1	* Vane	Replaced by 1 pc complete oil pump gear 3580569
5	3583723	3	* Locating pin	
6	861988	1	* Spring	
7	861986	1	Thrust washer	
8	3583548	1	Camshaft	Replaced by 3586433
	3586433		Camshaft	
9		1	* Camshaft	
10	3583715	1	* Bearing	
11	3583717	1	* Spacer	
12	861982	1	* Gear	
13	861969	1	* Woodruff key	
14	3583718	1	* Gear	
15	3580568	1	Sliding sleeve	
16	3583720	1	Plate	
17	861526	1	Screw	

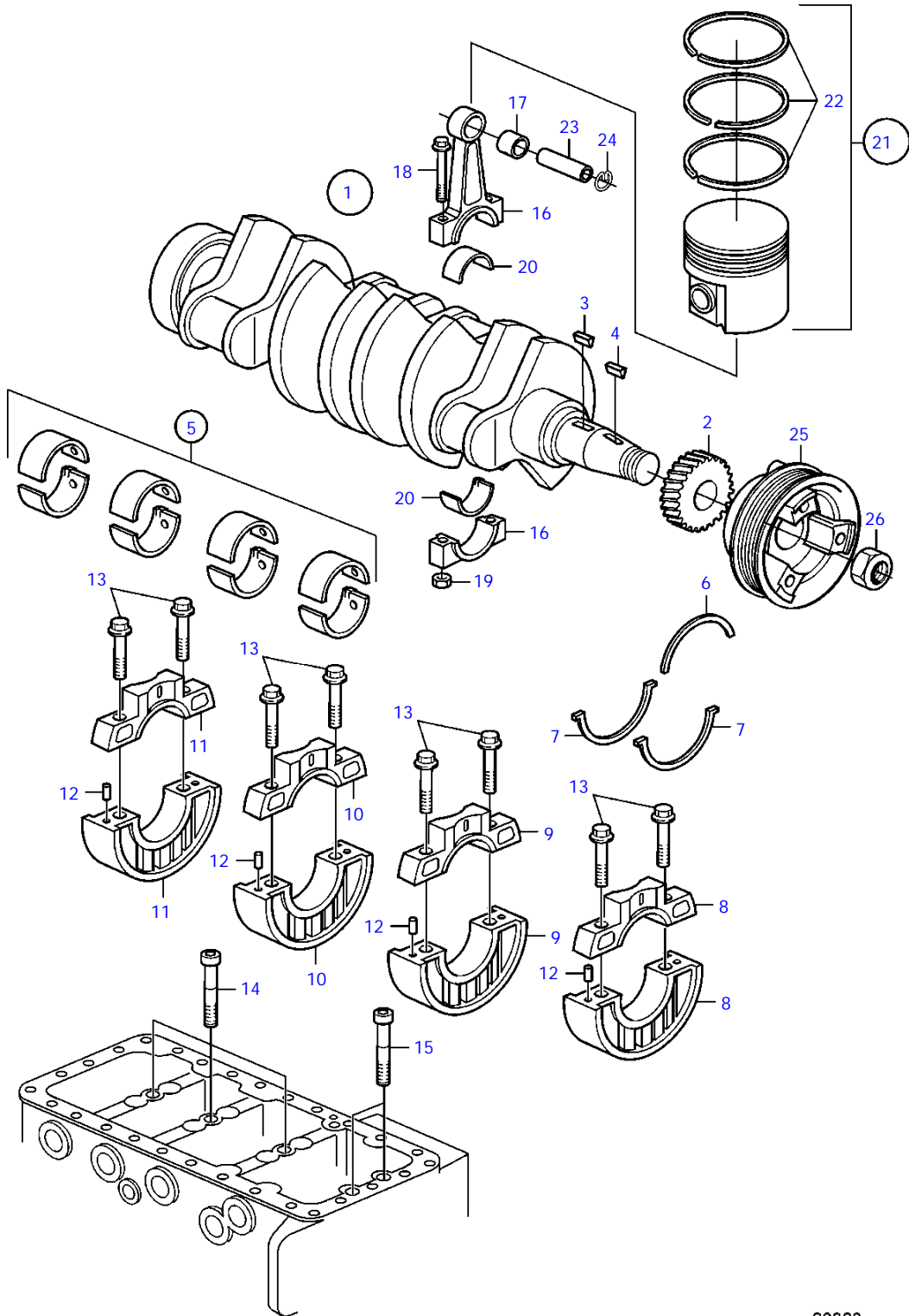


24435

D2-75F

REF	PART NO.	QTY	DESCRIPTION	NOTES
1	(21265543)	1	Gear	Complete, Replaced by 21541019, Obsolete part
	21541019	1	Oil pump	
2		1	* Idler gear	
3	3583721	3	* Bushing	
4			* Rotor	
5	3583723	3	* Locating pin	
6	21188232	1	* Spring	
7	21188649	1	Plate	
8	21189038	1	Camshaft	
9		1	* Camshaft	
10	3583715	1	* Bearing	
11	3583717	1	* Spacer	
12	21189039	1	* Gear	
13	861969	1	* Woodruff key	
14	21187745	1	Sliding sleeve	
15	3583720	1	Plate	
16	861526	1	Screw	

D2-75A, D2-75B, D2-75C, D2-75F

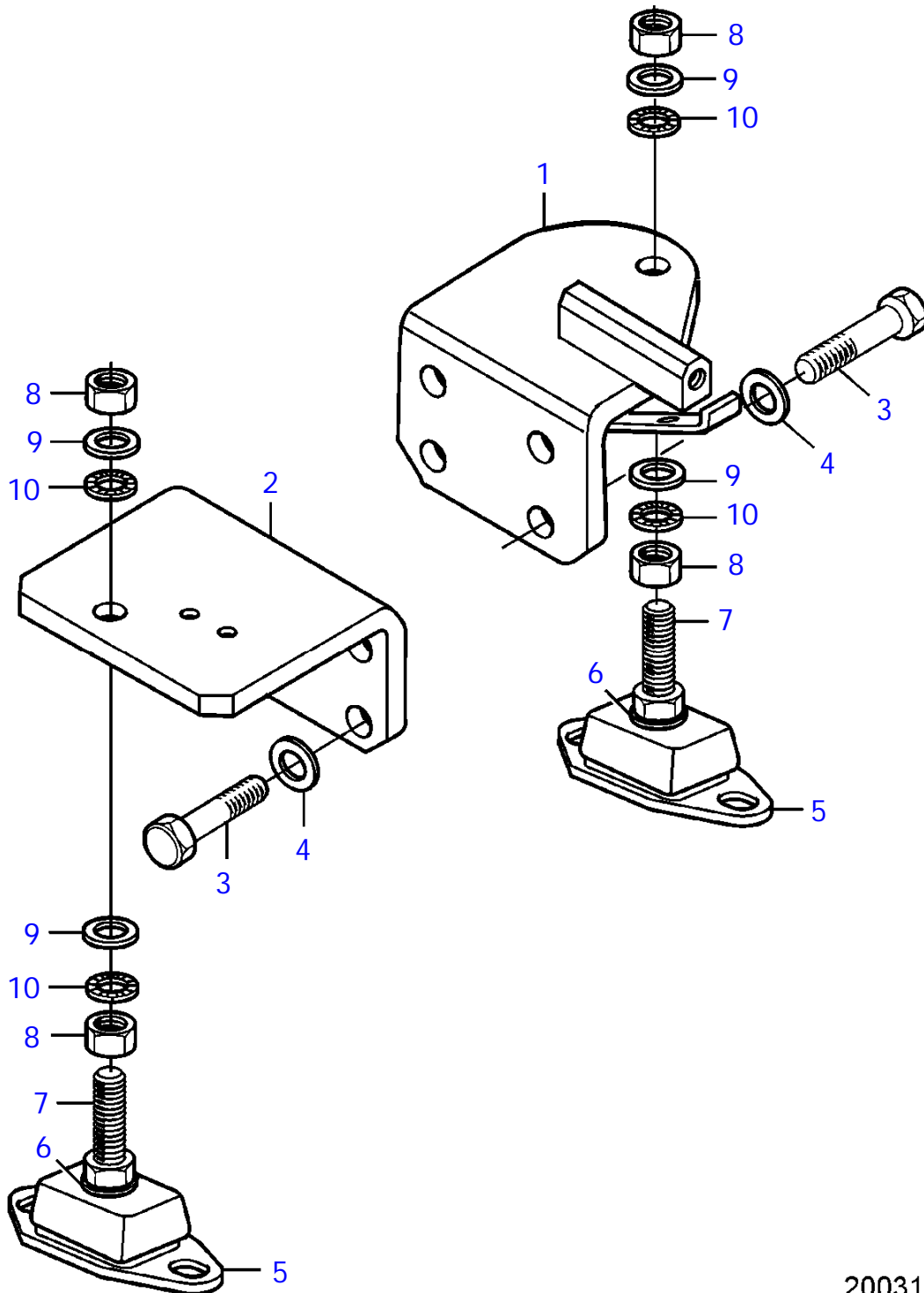


20023

D2-75A, D2-75B, D2-75C, D2-75F

REF	PART NO.	QTY	DESCRIPTION	NOTES
1	3583549	1	Crankshaft	
2	3580532	1	* Gear	D2-75A, D2-75B, D2-75C
	21274781	1	* Gear	D2-75F
3	861969	1	* Woodruff key	
4	861934	1	* Key	
5	877387	1	Main bearing kit	
6	3583674	1	Thrust washer, upper	
7	3580543	2	Thrust washer, lower	
8		1	Main bearing	
9		1	Main bearing	
10		1	Main bearing	
11		1	Main bearing	
12		4	Pin	
13	965221	8	Flange screw	
14	965188	3	Flange screw	
15	3583673	2	Screw	
16	3583683	4	Connecting rod	
17	3580553	1	* Bushing	
18	3580554	2	* Screw	
19	3580555	2	* Nut	
20	877388	1	Big-end bearing kit	
21	21301841	4	Piston kit	
22	21301848	4	* Piston ring kit	
23	3580550	4	Piston pin	
24	3580551	8	Lock ring	
25	3584084	1	Pulley	D2-75A, D2-75B, D2-75C
	21194509	1	Pulley	D2-75F
26	3580563	1	Nut	

D2-75A, D2-75B, D2-75C, D2-75F

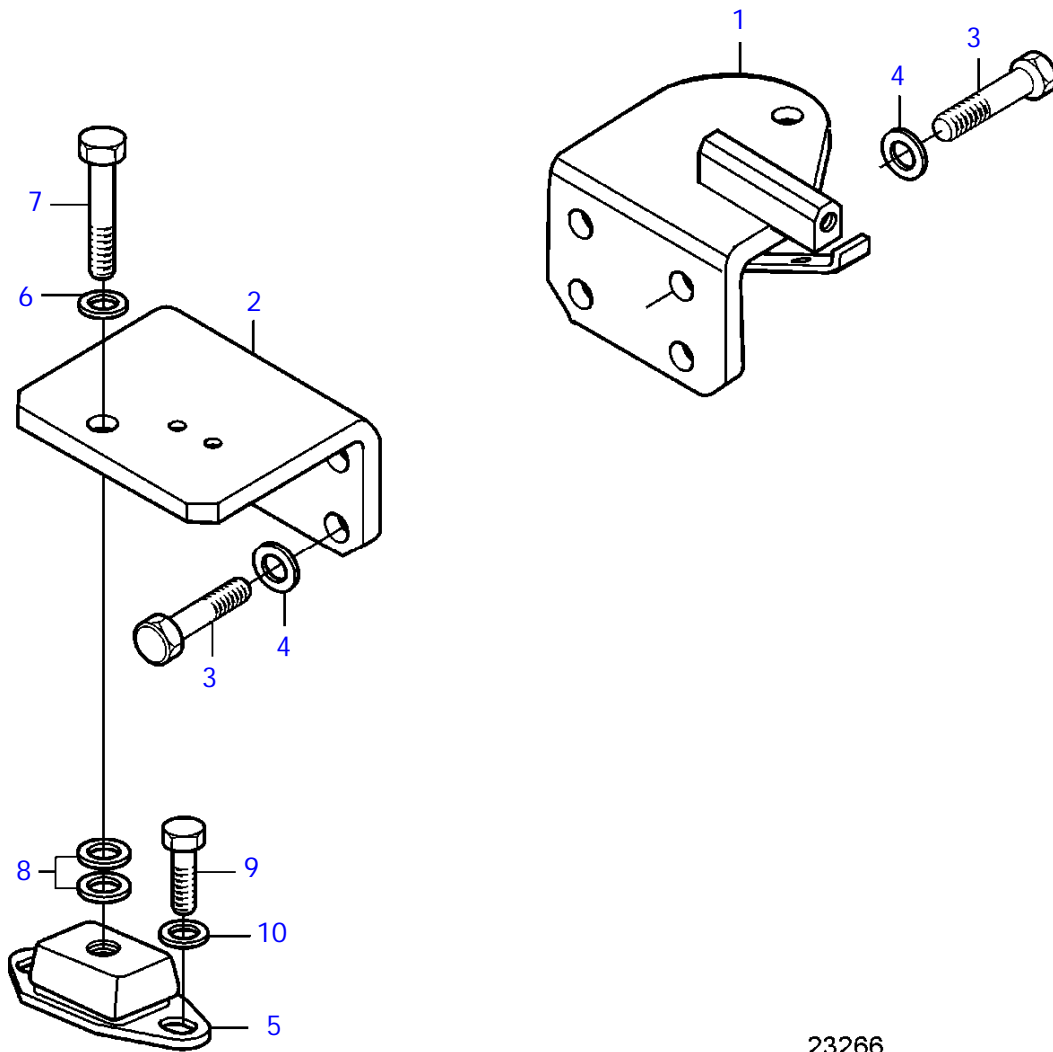


20031

D2-75A, D2-75B, D2-75C, D2-75F

REF	PART NO.	QTY	DESCRIPTION
1	3584087	1	Engine mountings, front
2	3583069	1	Engine mountings, front
3	3583794	8	Screw
4	3583795	8	Washer
5	846765	4	Rubber element
6	955900	4	Washer
7	846768	4	Adjusting screw
8	955805	6	Hexagon nut
9	955900	6	Washer
10	941912	6	Spring washer

D2-75A, D2-75B, D2-75C, D2-75F

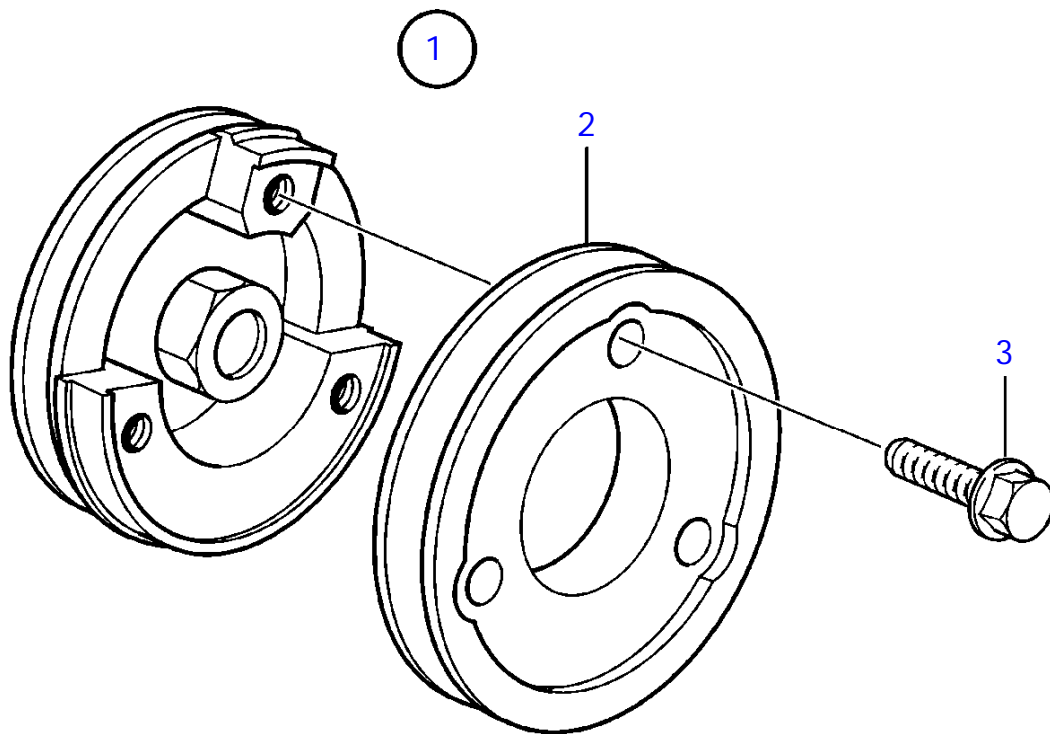


23266

D2-75A, D2-75B, D2-75C, D2-75F

REF	PART NO.	QTY	DESCRIPTION
1	3584087	1	Engine mountings, front
2	3583069	1	Engine mountings, front
3	3583794	16	Screw
4	3583795	16	Washer
5	856834	2	Rubber cushion
6	941912	2	Spring washer
7	959710	2	Hexagon screw
8	955900	4	Washer
9	963580	4	Hexagon screw
10	976945	4	Washer

D2-75A, D2-75B, D2-75C, D2-75F



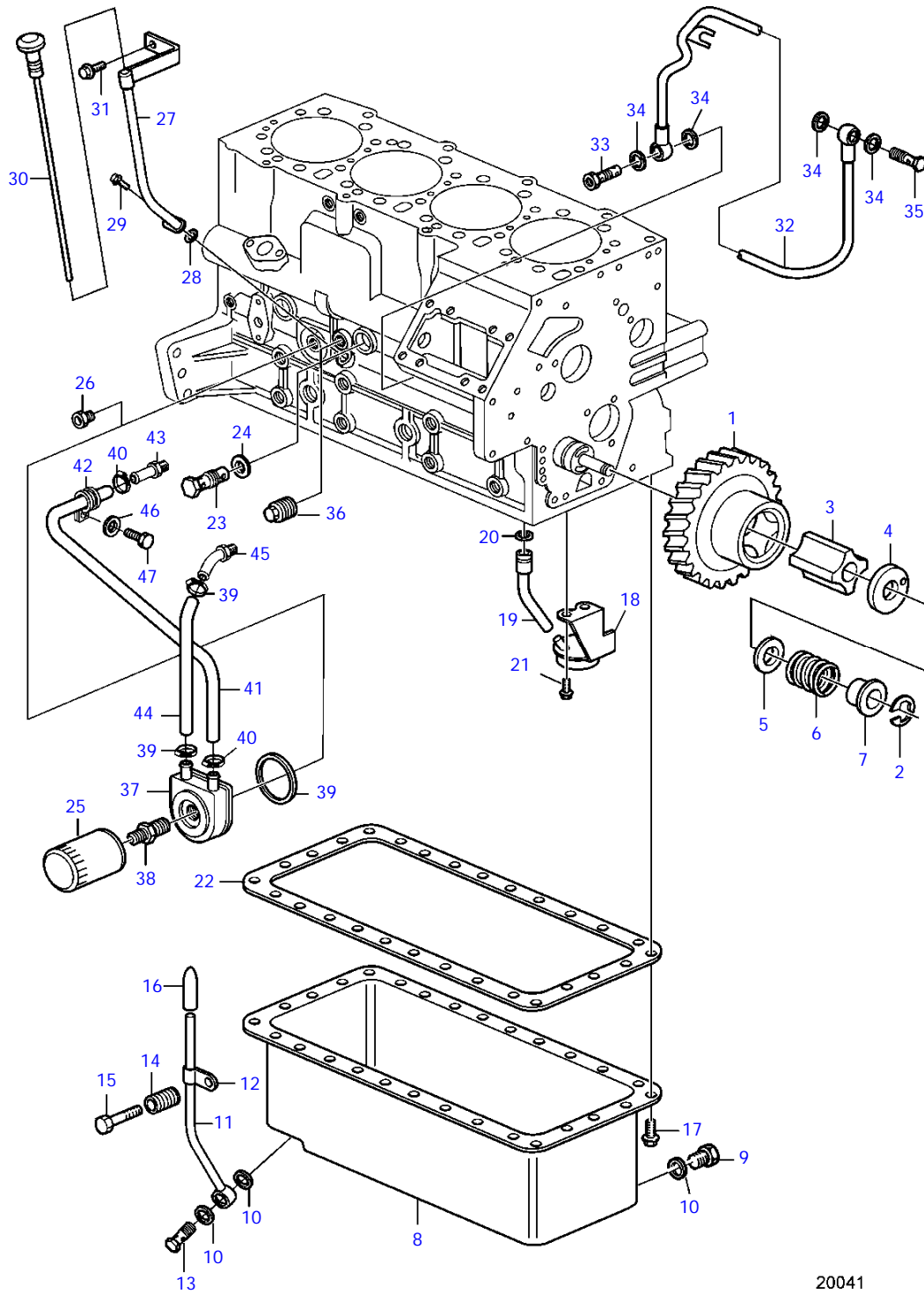
22677

D2-75A, D2-75B, D2-75C, D2-75F

REF	PART NO.	QTY	DESCRIPTION
1	3581053	1	Pulley
2	3581036	1	• Pulley
3	965191	3	• Flange screw



D2-75A, D2-75B, D2-75C

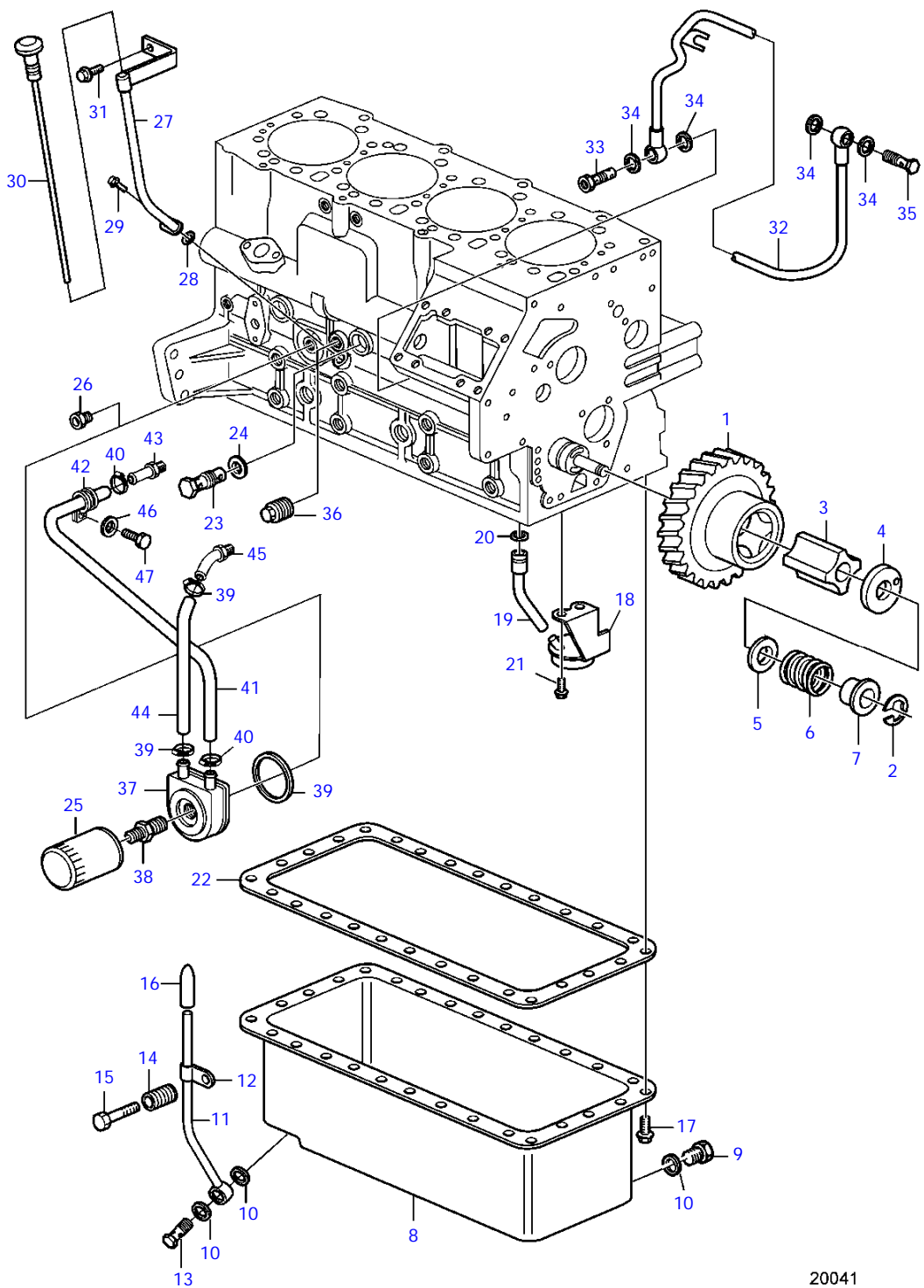


20041

D2-75A, D2-75B, D2-75C

REF	PART NO.	QTY	DESCRIPTION	SEE SEC.	NOTES
1		1	Gear	6743	
2	861534	1	Lock ring		
3	3580570	1	Rotor		replaced
	21541019	1	Oil pump		D2-75 C
	21541021	1	Oil pump		D2-7 A/B
4	861527	1	Cardboard tube		
5	861528	X	Shim		TH=0.10mm
	861529	X	Shim		TH=0.15mm
	861530	X	Shim		TH=0.20mm
	861531	X	Shim		TH=0,50mm
6	861532	1	Spring		
7	861533	1	Sleeve		
8	3583551	1	Sump		
9	3580091	1	Screw		
10	3580092	1	Sealing ring		Replaced by 21424327
	21424327	1	Sealing ring		
11	3583067	1	Oil draining pipe		
12	941565	1	Clamp		
13	941686	1	Hollow screw		
14	3582401	1	Adapler		
15	946471	1	Flange screw		
16	1276516	1	Rubber cap		
17	945358	30	Flange screw		
18	3583583	1	Strainer		
19	3583584	1	Suction pipe		
20	861997	1	O-ring		
21	861526	2	Screw		
22	3583552	1	Gasket		
23	3583580	1	Reduction valve		
24	3583581	1	O-ring		
25	3840525	1	Oil filter		
26	861825	1	Bolt		
27	3587361	1	Tube		
28	861851	2	O-ring		
29	861526	1	Screw		
30	3583554	1	Dipstick		
31	946173	1	Flange screw		
32	3583582	1	Oil pipe		
33	3583575	1	Hollow screw		
34	11992	4	Gasket		
35	861872	1	Hollow screw		
36	3583732	1	Plug		
37	3584116	1	Oil cooler		
38	3589334	1	* Adapter		
39	3589335	1	* Gasket		
40	961665	4	Hose clamp		
41	3819667	1	Hose		
42	21252754	1	Hose clamp		
43	3584120	1	Connector		
44	21194781	1	Hose		
45	3584119	1	Connector		
46	21246672	1	Washer		
47	861870	1	Screw		

D2-75F

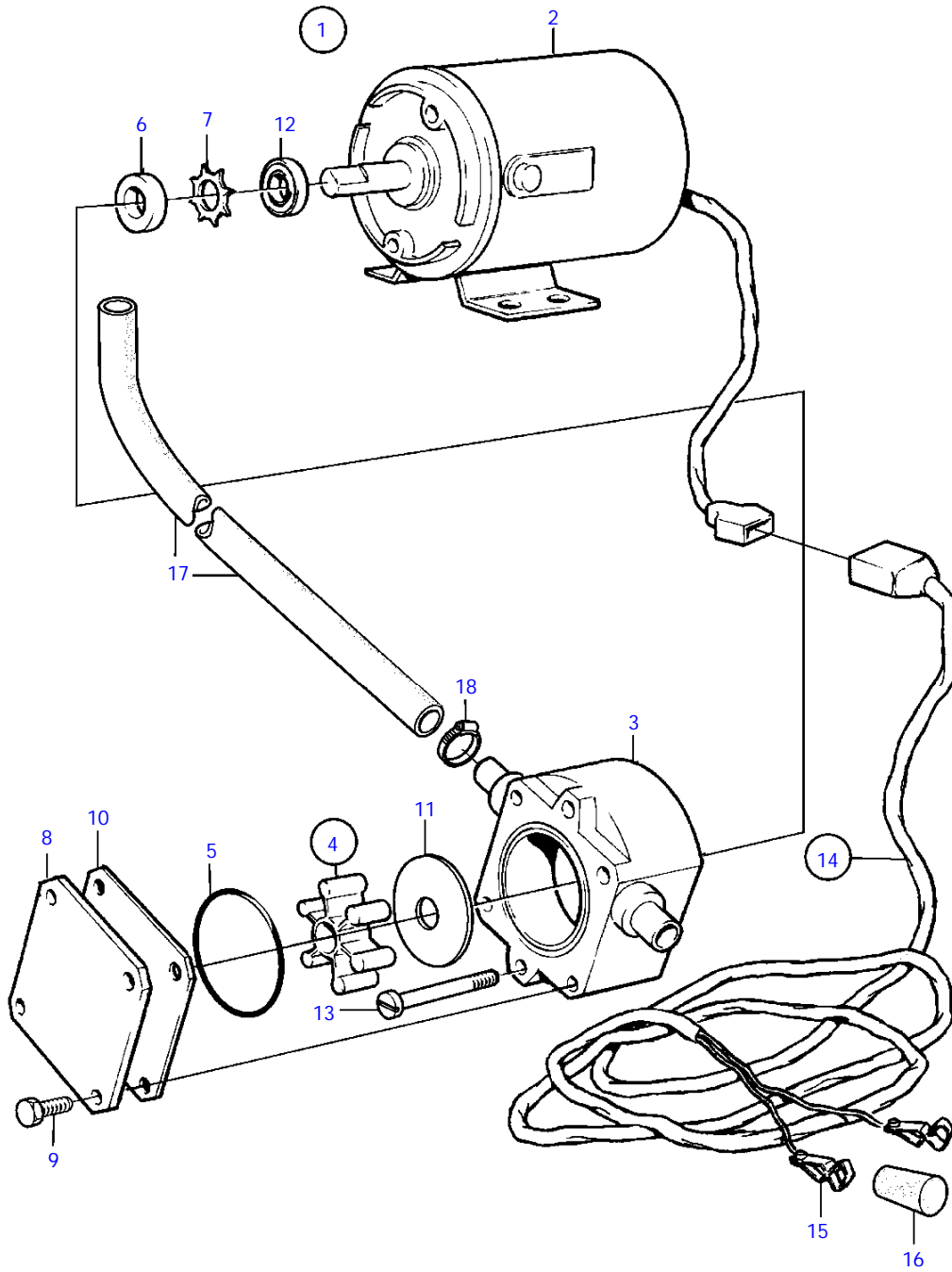


20041

D2-75F

REF	PART NO.	QTY	DESCRIPTION	SEE SEC.	NOTES
1		1	Gear	35121	
2	861534	1	Lock ring		
3	3580570	1	Rotor		Replaced by 21541019
	21541019	1	Oil pump		
4	21188141	1	Cover		
5	861528	X	Shim		TH=0.10mm
	861529	X	Shim		TH=0.15mm
	861530	X	Shim		TH=0.20mm
	861531	X	Shim		TH=0.50mm
6	861532	1	Spring		
7	861533	1	Sleeve		
8	3583551	1	Sump		
9	3580091	1	Screw		
10	3580092	3	Sealing ring		
11	3583067	1	Oil draining pipe		
12	941565	1	Clamp		
13	941686	1	Hollow screw		
14	3582401	1	Adapter		
15	946471	1	Flange screw		
16	1276516	1	Rubber cap		
17	945358	30	Flange screw		
18	21194501	1	Filter		
19	21194503	1	Pipe		
20	861997	1	O-ring		
21	861526	2	Screw		
22	3583552	1	Gasket		
23	3583580	1	Reduction valve		
24	3583581	1	O-ring		
25	3840525	1	Oil filter		
26	861825	1	Bolt		
27	3587361	1	Tube		(3583553)
28	861851	2	O-ring		
29	861526	1	Screw		
30	3583554	1	Dipstick		
31	946173	1	Flange screw		(861849)
32	3583582	1	Oil pipe		
33	3583575	1	Hollow screw		
34	11992	4	Gasket		
35	861872	1	Hollow screw		
36	21194526	1	Plug		
37	3584116	1	Oil cooler		
38	3589334	1	* Adapter		
39	3589335	1	* Gasket		
40	961665	4	Hose clamp		
41	21194781	1	Hose		
42	21252754	1	Hose clamp		
43	21190061	1	Connector		
44	21194785	1	Hose		
45	3584119	1	Connector		
46	21246672	1	Washer		
47	861870	1	Screw		

D2-75A, D2-75B, D2-75C, D2-75F

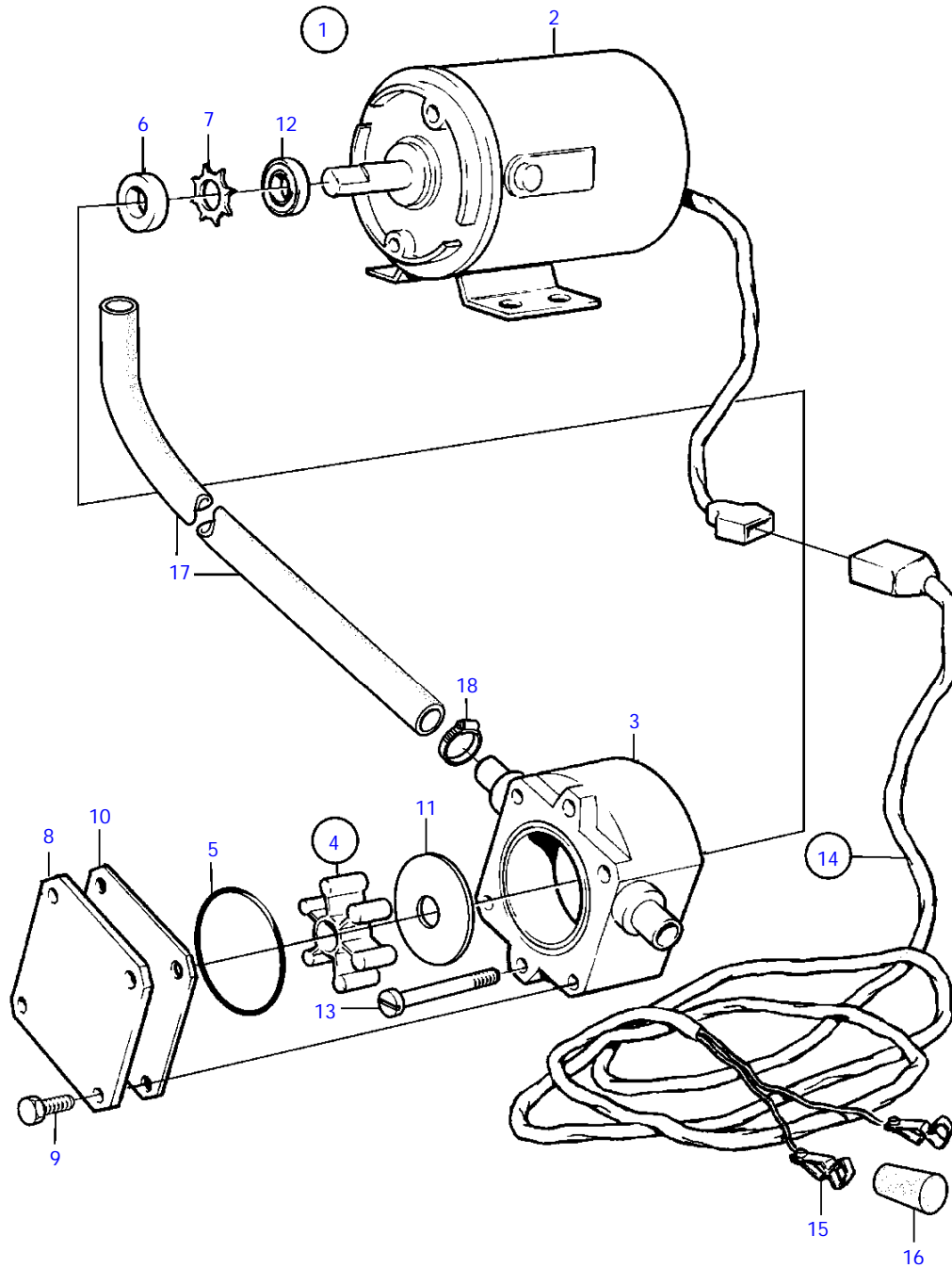


18186

D2-75A, D2-75B, D2-75C, D2-75F

REF	PART NO.	QTY	DESCRIPTION	NOTES
1	843114	1	Oil bilge pump	12V
2	842855	1	* Oil bilge pump	
3	(844015)	1	* * Pump housing	Obsolete part
4	844022	1	* * Impeller kit	
5		1	* * O-ring	
6		1	* * Sealing ring	
7		1	* * Lock ring	
8	844018	1	* * Cardboard tube	
9	844021	4	* * Screw	
10	844017	1	* * Wear washer	
11	844016	1	* * Wear washer	
12	844019	1	* * Deflector ring	
13	969518	2	* * 6 point socket screw	(847464)
14	843113	1	* Cable trunk	
15	844280	2	* * Clip	
16		1	* * Isolator	Black
		1	* * Isolator	Red
17	949100	X	* Hose	
18	943471	3	* Hose clamp	

D2-75A, D2-75B, D2-75C, D2-75F

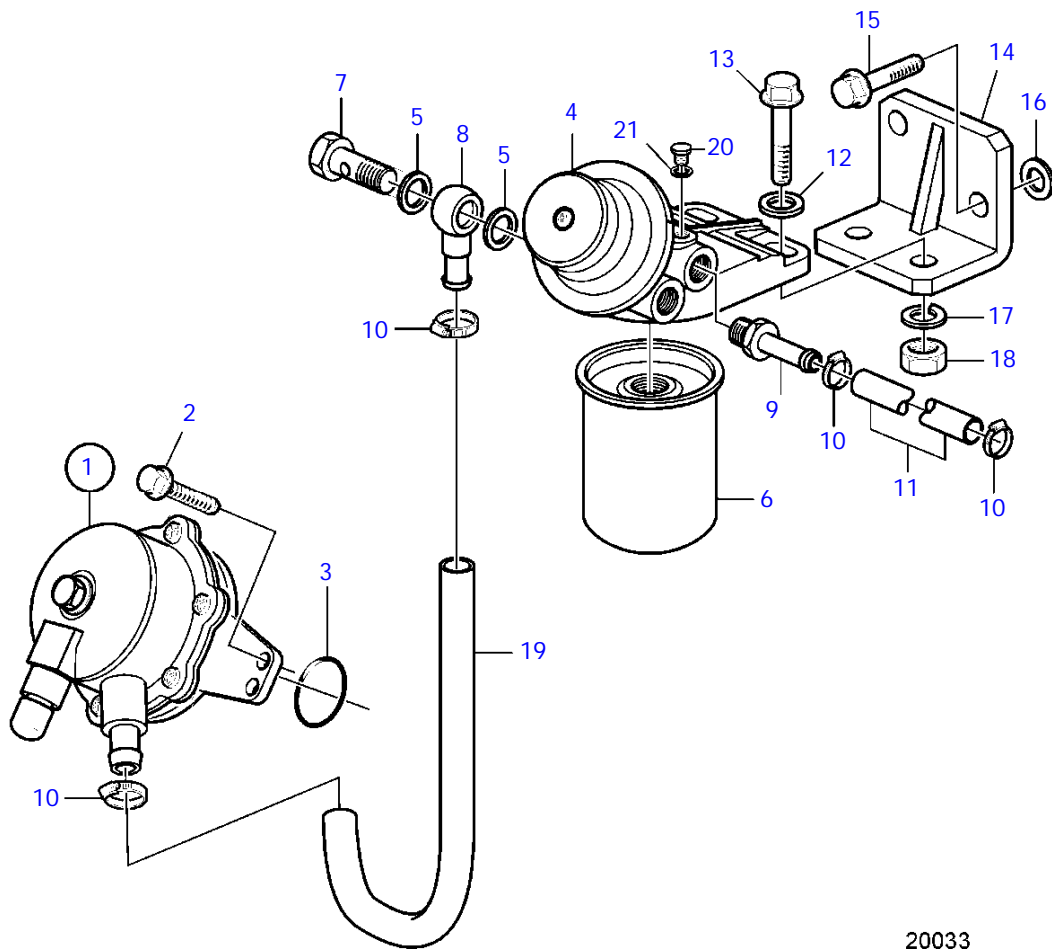


18186

D2-75A, D2-75B, D2-75C, D2-75F

REF	PART NO.	QTY	DESCRIPTION	NOTES
1	843410	1	Oil bilge pump	24V
2	842222	1	* Electrical motor	
3	(844015)	1	** Pump housing	Obsolete part
4	844022	1	** Impeller kit	
5		1	*** O-ring	
6		1	*** Sealing ring	
7		1	*** Lock ring	
8	844018	1	** Cardboard tube	
9	844021	4	** Screw	
10	844017	1	** Wear washer	
11	844016	1	** Wear washer	
12	844019	1	** Deflector ring	
13	969518	2	** 6 point socket screw	(847464)
14	843113	1	* Cable trunk	
15	844280	2	** Clip	
16		1	** Isolator	Black
		1	** Isolator	Red
17	949100	X	* Hose	
18	943471	3	* Hose clamp	

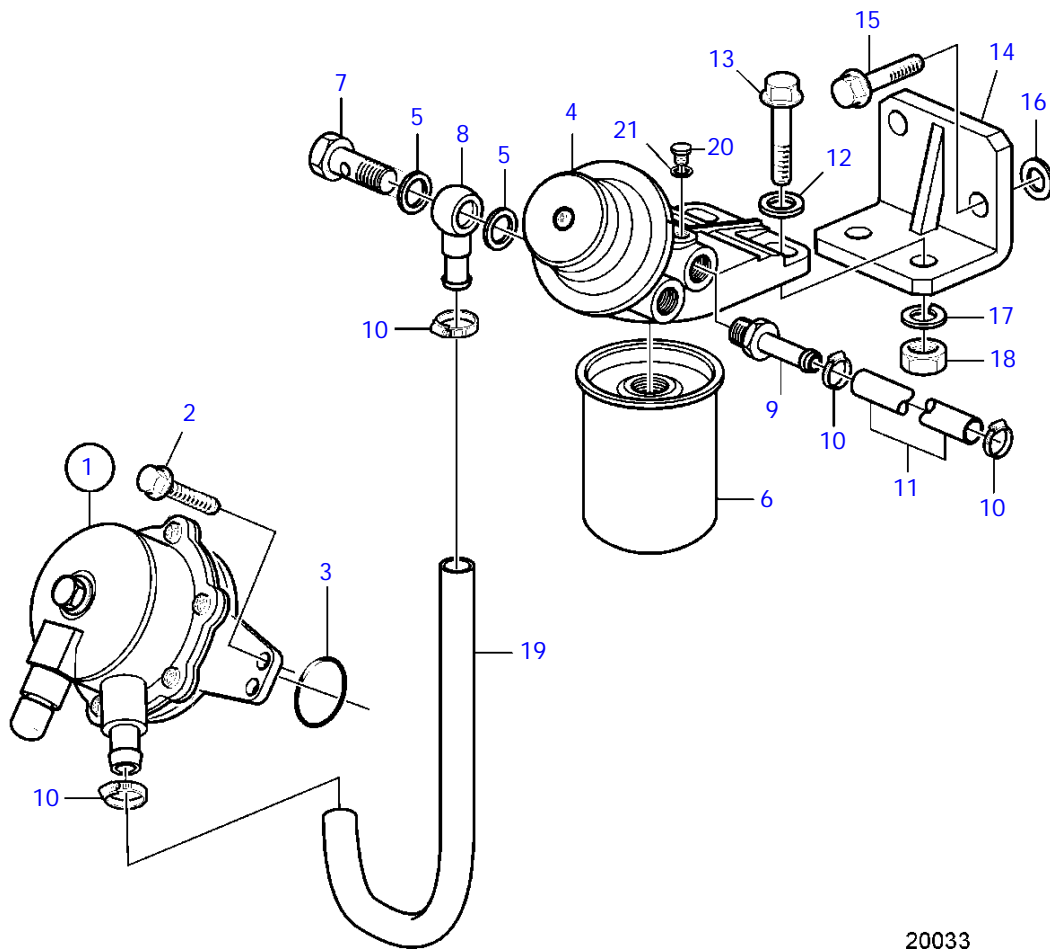
D2-75A, D2-75B, D2-75C



20033

D2-75A, D2-75B, D2-75C

REF	PART NO.	QTY	DESCRIPTION	NOTES
1	3584126	1	Feed pump	
2	967949	1	Flange screw	
3	3589332	1	O-ring	
4	3584125	1	Fuel filter	
5	969011	5	Gasket	
6	861477	1	Fuel filter	
7	3580098	1	Hollow screw	
8	3580101	1	Banjo nipple	
9	3809680	1	Nipple	
10	961664	4	Hose clamp	
11	3809681	1	Hose	
12	969011	2	Gasket	
13	3809679	2	Screw	
14	3584424	1	Bracket	Replaced by 21326567
	21326567	1	Bracket	To be attached with 3 screws
15	3809679	2	Screw	
16	3580031	2	Washer	
17	3580015	2	Spring washer	
18	971071	2	Hexagon nut	
19	3809681	1	Hose	
20	3589276	1	Air nipple	
21	11991	1	Gasket	

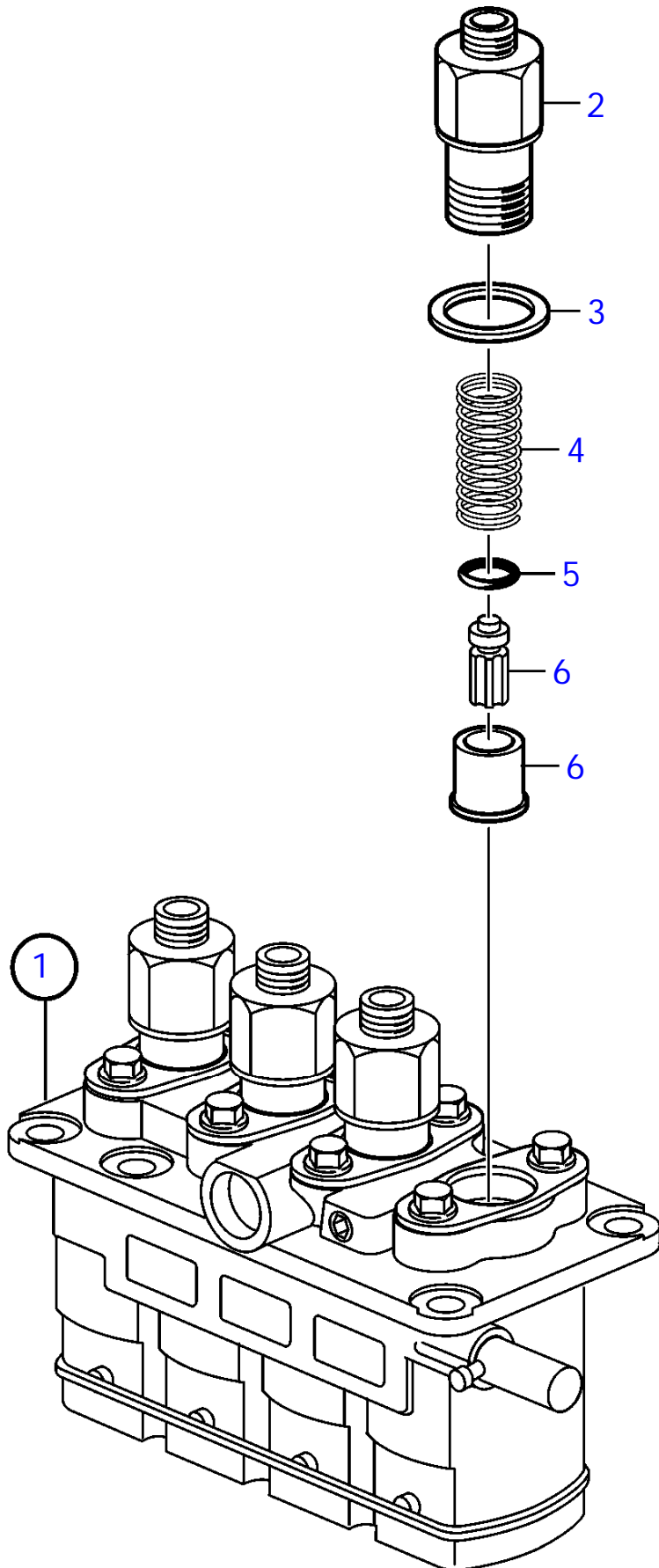


20033

D2-75F

REF	PART NO.	QTY	DESCRIPTION	NOTES
1	21132189	1	Feed pump	
2	945358	1	Flange screw	
3	3589332	1	O-ring	
4	3584125	1	Fuel filter	
5	969011	3	Gasket	
6	861477	1	Fuel filter	
7	3886416	1	Banjo nipple	
8	3580101	1	Banjo nipple	
9	3809680	1	Nipple	
10	961664	4	Hose clamp	
11	3809681	1	Hose	
12	3580031	2	Washer	
13	3583783	2	Screw	
14	3584424	1	Bracket	Replaced by 21326567
	21326567	1	Bracket	To be attached with 3 screws
15	21246643	2	Hexagon screw	
16	191169	2	Washer	
17	3580015	2	Spring washer	
18	971071	2	Hexagon nut	
19	3809681	1	Hose	
20	3589276	1	Air nipple	
21	11991	1	Gasket	

D2-75A, D2-75B, D2-75C

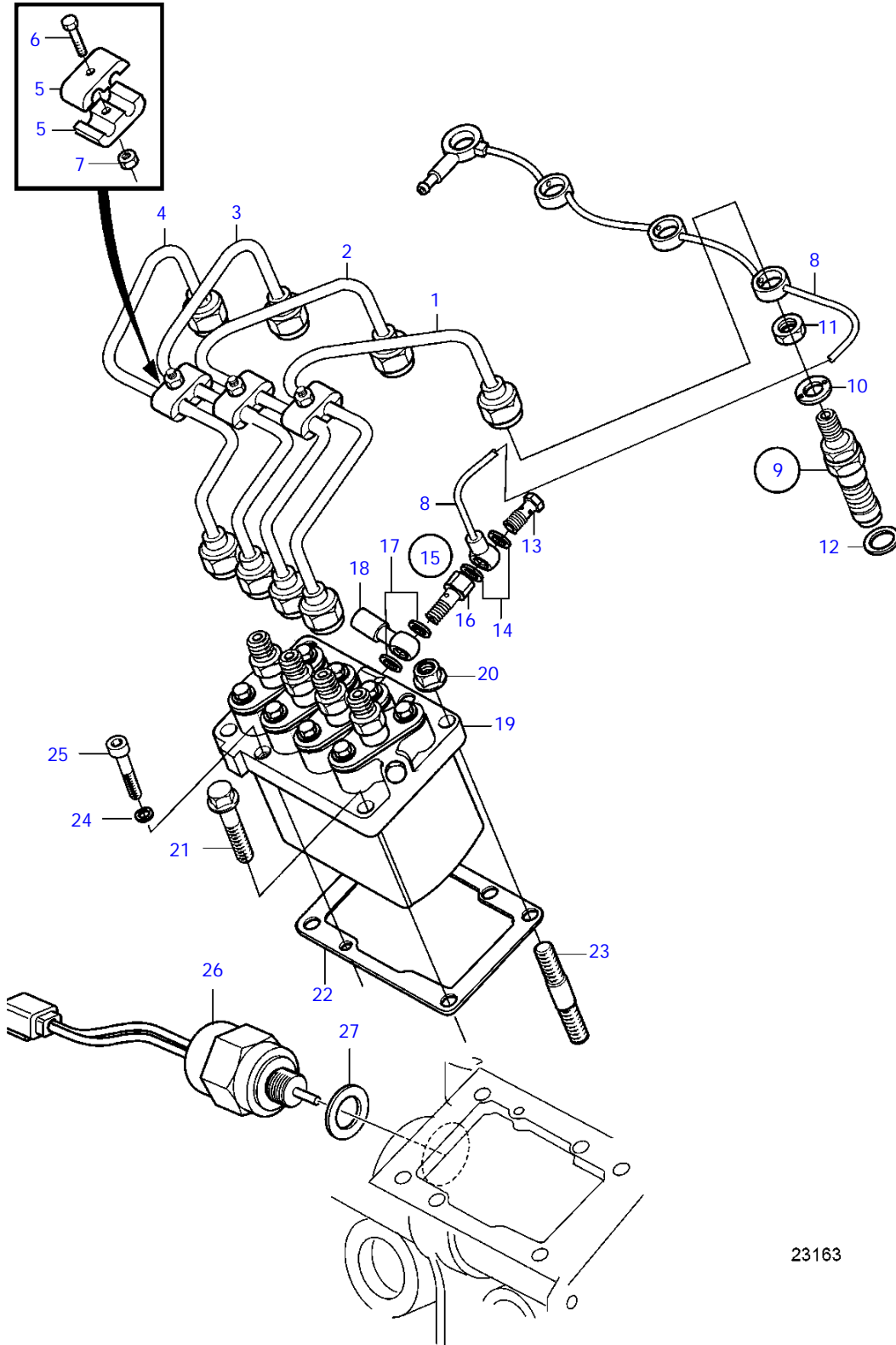


23164

D2-75A, D2-75B, D2-75C

REF	PART NO.	QTY	DESCRIPTION	NOTES
1	3583871	1	Injection pump	(3583557)
2	3809332	4	* Retainer	
3	3580614	4	* O-ring	
4	3580610	4	* Spring	
5	3580611	4	* Gasket	
6	3809333	4	* Valve	

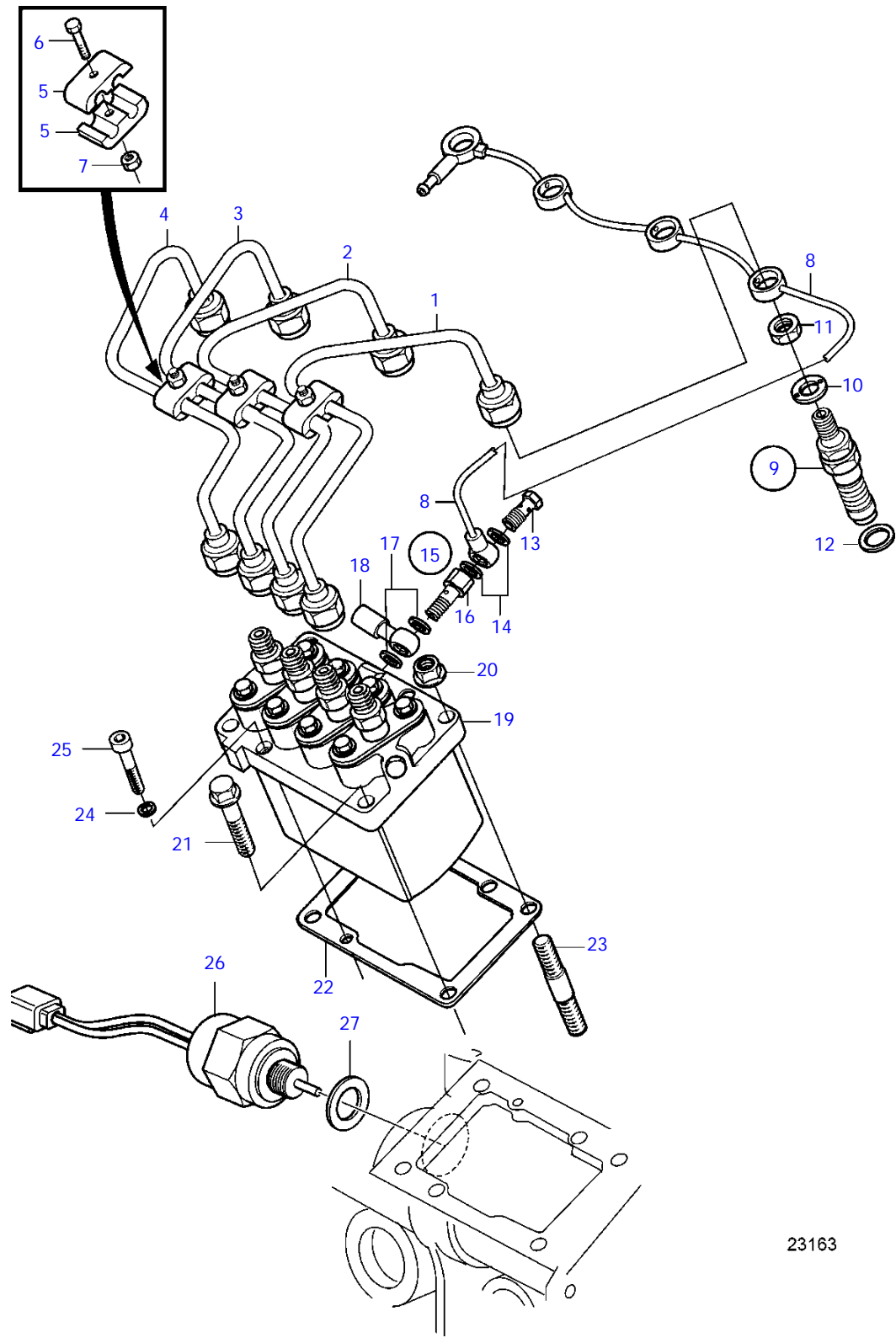
D2-75A, D2-75B, D2-75C



23163

D2-75A, D2-75B, D2-75C

REF	PART NO.	QTY	DESCRIPTION	SEE SEC.	NOTES
1	3583524	1	Delivery pipe		
2	3583525	1	Delivery pipe		
3	3583526	1	Delivery pipe		
4	3583527	1	Delivery pipe		
5	3580082	6	Clamp		
6	947542	3	Flange screw		
7	945407	3	Flange nut		
8	3583559	1	Leak-off line		Replaced by 3809334
	3809334	1	Leak-off pipe		
9	3803442	4	Injector		
	3580592	4	* Injector		
			*	232	
	3803442	4	* Injector, exch		
			*	232	
10	3580631	1	* Gasket		
11		1	* Nut		
12	3580077	4	Gasket		
13	3580599	1	Screw		
14	21427938	2	Gasket		
15	3583871		Injection pump		
			*		
			*	8184	
16	3580628	1	* Hollow screw		
17	11994	2	* Gasket		
18	3580627	1	* Banjo nipple		
19		1	* Injection pump		
20	948645	3	Flange lock nut		
21	3583769	3	Screw		
22	3583764	1	Shim		TH=0,2mm
	3583765	1	Shim		TH=0,3mm
	3583766	1	Shim		TH=0,4mm
	3583767	1	Shim		TH=0,5mm
	3583768	1	Shim		TH=0,5mm, Without flange
23	3583705	3	Stud		
24	861847	1	Washer		
25	3809331	1	Hex. socket screw		
26	3584127	1	Stop solenoid		
27	3580092	1	Sealing ring		

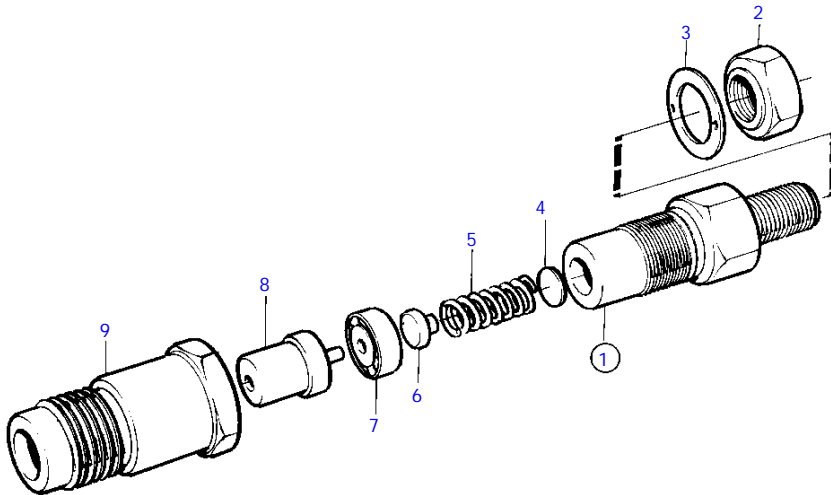


23163

D2-75F

REF	PART NO.	QTY	DESCRIPTION	SEE SEC.	NOTES
1	3583524	1	Delivery pipe		
2	3583525	1	Delivery pipe		
3	3583526	1	Delivery pipe		
4	3583527	1	Delivery pipe		
5	3886457	6	Clamp		
6	947542	3	Flange screw		
7	945407	3	Flange nut		
8	21194397	1	Return pipe		
9	3803442	4	Injector		
	3580592	4	Injector		
			*	232	
	3803442	4	Injector, exch		
			*	232	
10	3580631	1	* Gasket		
11		1	* Nut		
12	3580077	4	Gasket		
13	3580599	1	Screw		
14	21427938	2	Gasket		
15			Injection pump		
			* Injection pump		
	3801337		* Injection pump, exch, exch		
16	3580628	1	* Hollow screw		
17	11994	2	* Gasket		
18	3580627	1	* Banjo nipple		
19		1	* Injection pump		
20	948645	3	Flange lock nut		
21	3583769	3	Screw		
22	3583764	1	Shim		TH=0.2mm
	21194394	1	Shim		TH=0.25mm
	3583765	1	Shim		TH=0.3mm
	21194396	1	Shim		TH=0.35mm
	3583766	1	Shim		TH=0.4mm
	3583767	1	Shim		TH=0.5mm
	3583768	1	Shim		TH=0.5mm, Without flange
23	3583705	3	Stud		
24	861847	1	Washer		
25	3809331	1	Hex. socket screw		
26	3584127	1	Stop solenoid		
27	3580092	1	Sealing ring		

D2-75A, D2-75B, D2-75C, D2-75F

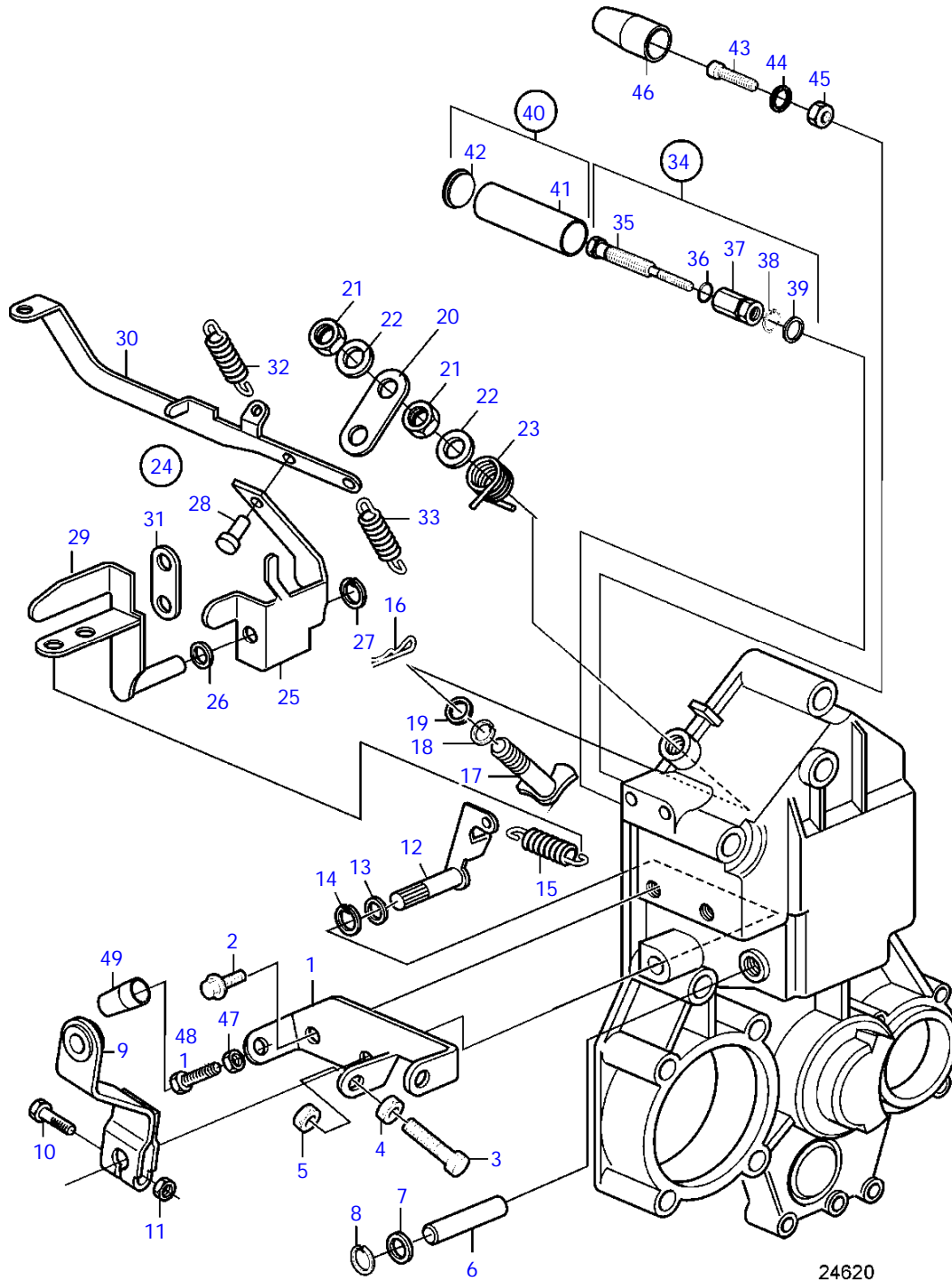


15079

D2-75A, D2-75B, D2-75C, D2-75F

REF	PART NO.	QTY	DESCRIPTION
1	3580592	1	Injector
	3803442	1	Injector, exch
2	3580630	1	* Nut
3	3580631	1	* Gasket
4	3580632	3	* Washer kit
5	3580633	1	* Spring
6	3580634	1	* Pressure bolt
7	3580635	1	* Spacer
8	3580636	1	* Nozzle
9		1	* Nut

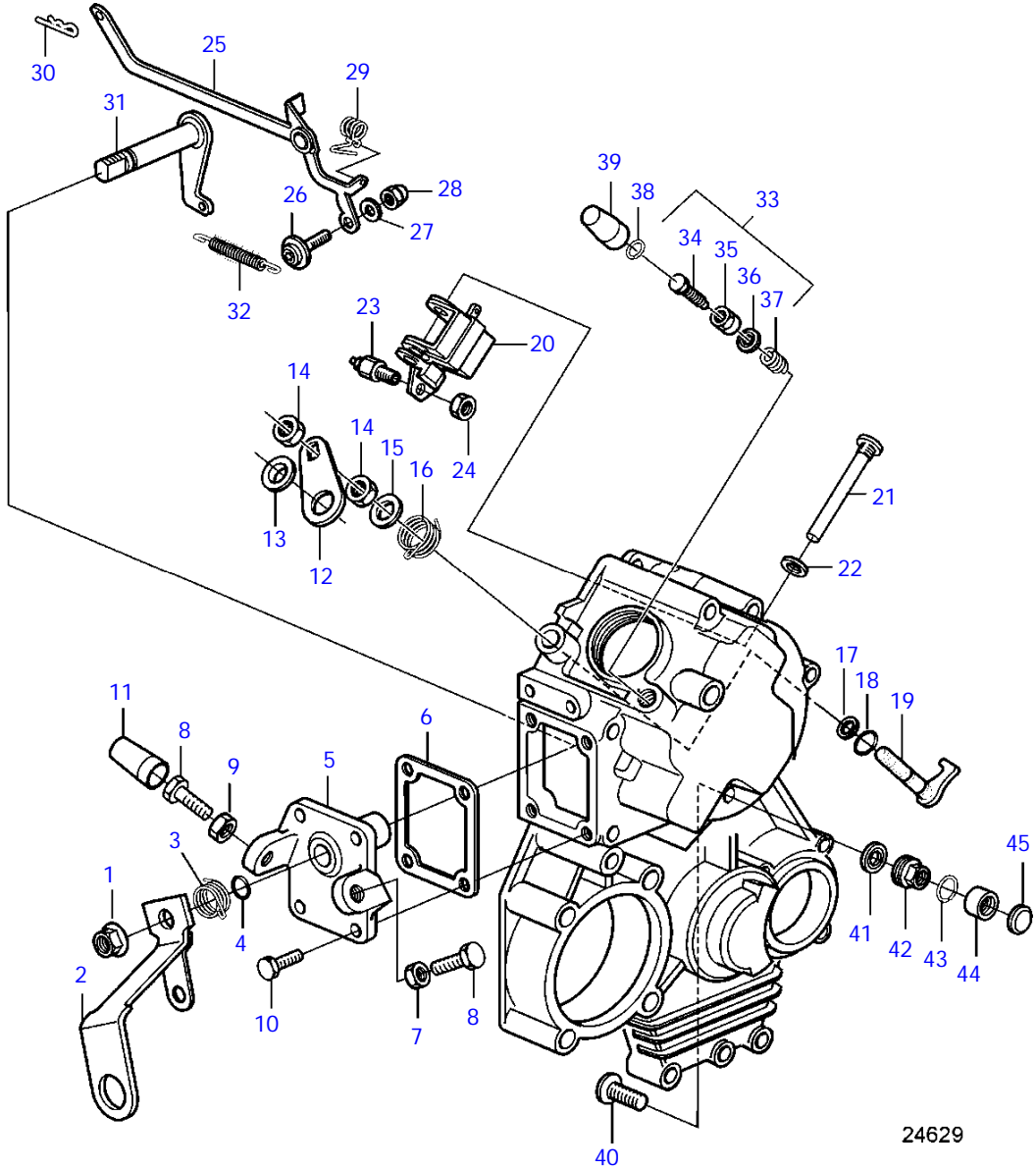
D2-75A, D2-75B, D2-75C



24620

D2-75A, D2-75B, D2-75C

REF	PART NO.	QTY	DESCRIPTION	NOTES
1	3580042	1	Stay	
2	3580581	2	Screw	
3		1	Screw	
4	955781	1	Hexagon nut	
5		1	Nut	
6	3583759	1	Shaft	
7	3580040	2	O-ring	
8	3580041	1	Lock ring	
9	3580036	1	Intermediate lever	
10	955275	1	Hexagon screw	
11	945407	1	Flange nut	
12	3580034	1	Arm	
13	3580035	1	O-ring	
14	3580030	1	Lock ring	
15	3819063	1	Spring	(3580376)
16	3580032	1	Locking pin	
17	3580045	1	Arm	
18	3580046	1	Lock ring	
19	3580047	1	O-ring	
20	3580051	1	Intermediate lever	
21	955782	2	Hexagon nut	
22	191172	2	Washer	
23	3580048	1	Spring	
24	3583736	1	Intermediate lever	
25		1	* Lever	
26	3580031	1	* Washer	
27	3580030	1	* Lock ring	
28	(3583760)	1	* Pin	Obsolete part
29		1	* Lever	
30		1	* Lever	
31		1	* Washer	
32	3580735	1	Spring	
33	3580058	1	Spring	
34	3583770	1	Screw	
35		1	* Screw	
36	3583772	1	* O-ring	
37		1	* Nut	
38		1	* Lock ring	
39	3580087	1	* Sealing ring	
40	3584083	1	Sleeve	
41		1	* Sleeve	
42		1	* Cap	
43	3583778	1	Screw	
44	3580087	1	Sealing ring	
45	3583779	1	Nut	
46	3583777	1	Cardboard tube	
47	3583761		Cardboard tube	
48	3583762		Screw	
49	3583763		Nut	



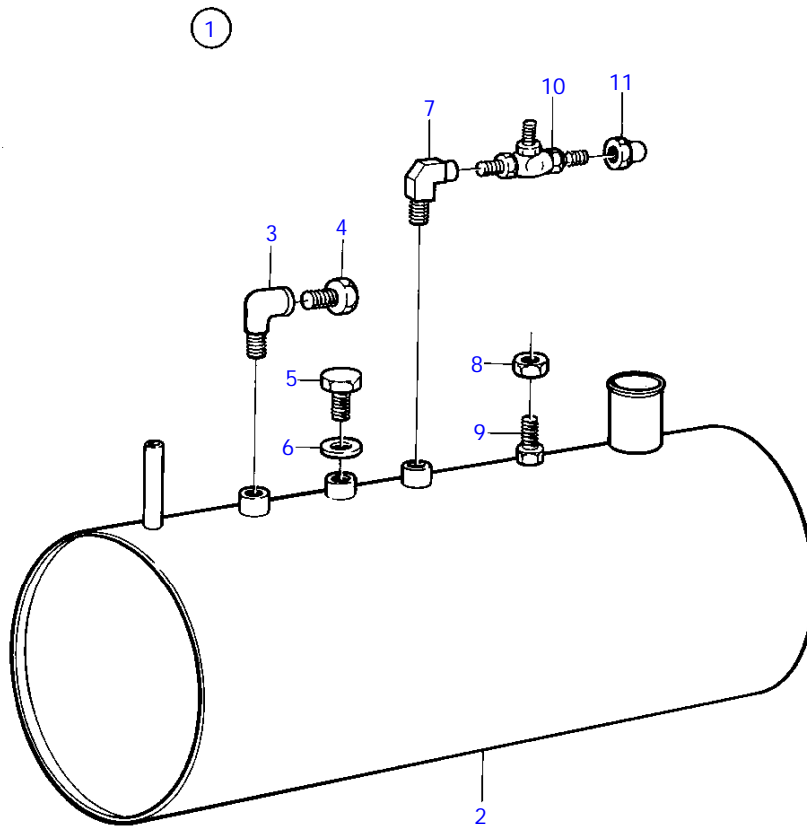
24629



D2-75F

REF	PART NO.	QTY	DESCRIPTION	NOTES
1	21246409	1	Flange nut	
2	21187771	1	Intermediate lever	
3	21189685	1	Return spring	
4	3580035	1	O-ring	
5	21187772	1	Bracket	
6	21189675	1	Gasket	
7	955781	1	Hexagon nut	
8	3583762	2	Screw	
9	3583763	1	Nut	
10	21246651	4	Hexagon screw	
11	3583761	1	Cardboard tube	
12	21192501	1	Intermediate lever	
13	843109	1	Bushing	
14	955782	2	Hexagon nut	
15	21246676	1	Washer	
16	3580048	1	Spring	
17	3580047	1	O-ring	
18	3580046	1	Lock ring	
19	3580045	1	Arm	
20	21187328	1	Governor	
21	21187733	1	Shaft	
22	3580598	1	Sealing washer	
23				
25	21193787	1	Intermediate lever	
26	21187723	1	Shaft	
27	11991	1	Gasket	
28	21246490	1	Cap nut	
29	21189686	1	Spring	
30	3580032	1	Locking pin	
31	21187738	1	Arm	
32	21193276	1	Main spring	
33	21189171	1	Adjusting screw	D2-55
	21191838	1	Adjusting screw	D2-75
34		1	* Settling bolt	
35	3583779	1	* Nut	
36	3580087	1	* Sealing ring	
37		1	* Spring	D2-55
	(21191839)	1	* Spring	Obsolete part, D2-75
38	21246336	1	Lock ring	
39	3840969	1	Cardboard tube	
40	21192093	1	Adjusting screw	
41	11991	1	Gasket	
42	21246369	1	Nut	
43				
44	21275201	1	Body	
45			Lock	

D2-75A, D2-75B, D2-75C, D2-75F

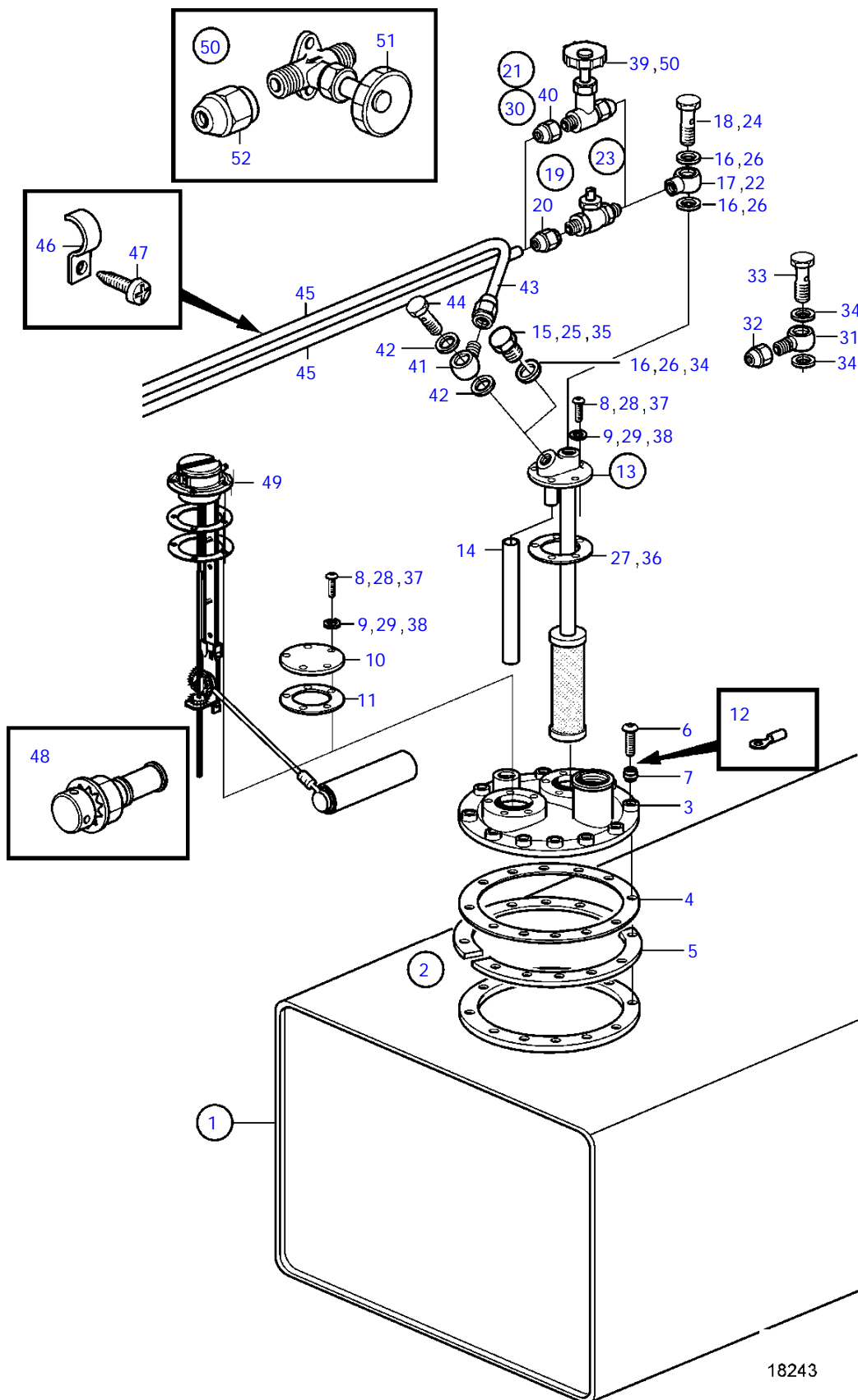


7569

D2-75A, D2-75B, D2-75C, D2-75F

REF	PART NO.	QTY	DESCRIPTION	NOTES
1	(828423)	1	Fuel tank	Obsolete part
2		1	* Fuel tank	20L
3	16218	1	* Elbow nipple	
4	981749	1	* Plug	
5	914391	1	* Plug	
6	(907134)	1	* Gasket	Obsolete part
7	16218	1	* Elbow nipple	
8	940197	1	* Hexagon nut	
9	963556	1	* Hexagon screw	
10	(803684)	1	* Shut-off cock	Obsolete part
11	954322	1	* Fitting nut	

D2-75A, D2-75B, D2-75C, D2-75F

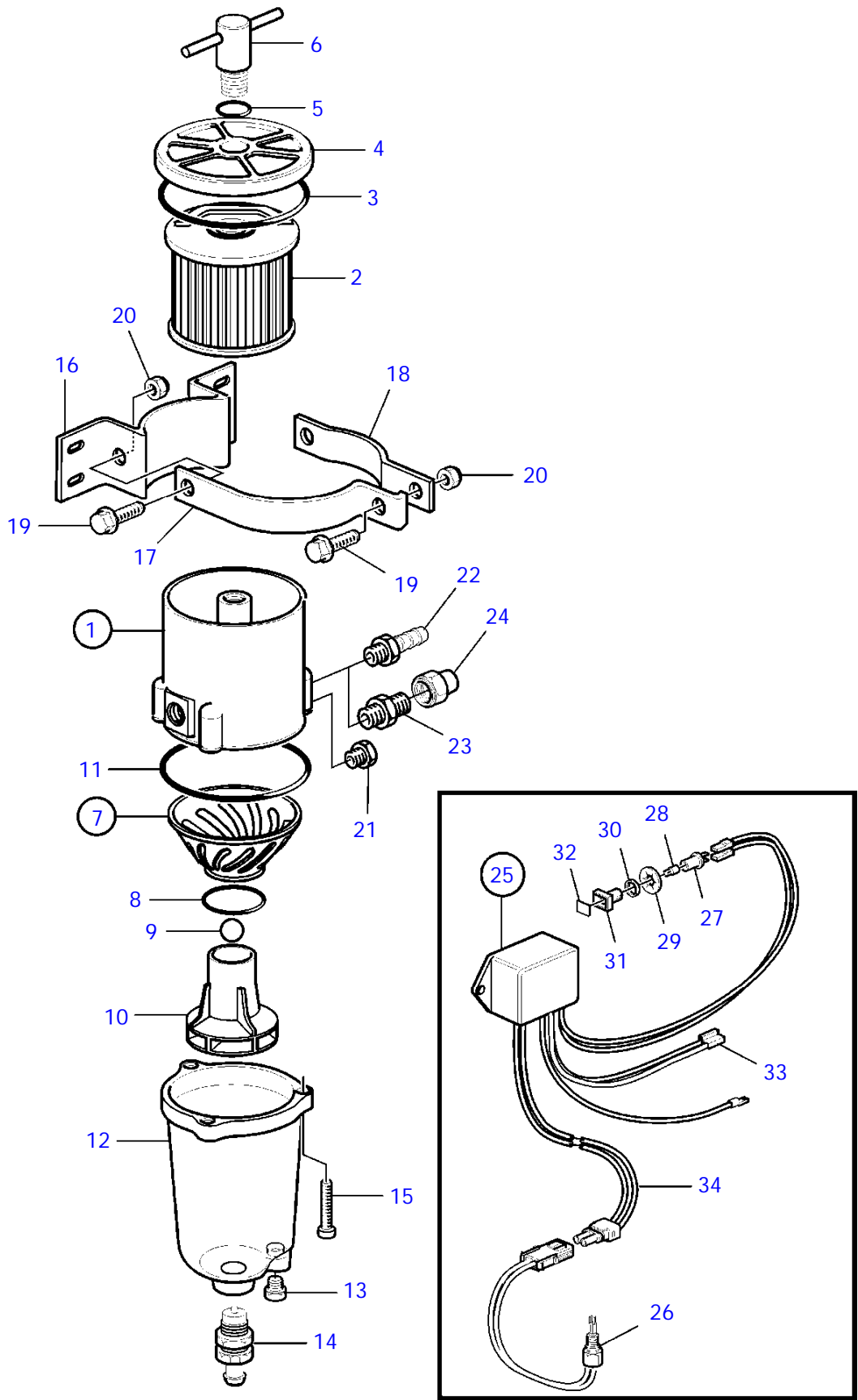


18243

D2-75A, D2-75B, D2-75C, D2-75F

REF	PART NO.	QTY	DESCRIPTION	SEE SEC.	NOTES
1	(1140064)	1	Fuel tank		40L, Obsolete part
2	(1140063)	1	* Cardboard tube		Obsolete part
3	833799	1	* * Cardboard tube		
4	859064	1	* * Gasket		
5	828338	1	* * Flange		
6	956080	12	* * Cross recessed screw		
7	834481	12	* * Gasket		
8	969405	10	* * 6 point socket screw		
9	941905	10	* * Spring washer		
10	833801	1	* * Cardboard tube		
11	89865	1	* * Gasket		
12	881493	1	* * Cable terminal		
13	828341	1	* Suction pipe		L=242mm
	828372	1	* Suction pipe		L=333mm
	828373	1	* Suction pipe		L=458mm
14	941279	1	* * Hose		
15	191830	1	* Plug		
16	957178	3	* Gasket		
17	833857	1	* Banjo nipple		
18	25167	1	* Hollow screw		
19	(803684)	1	* Shut-off cock		Obsolete part
20	954322	1	* * Fitting nut		
21	(828375)	1	Connector kit		Obsolete part, 5/16"
22	833857	1	* Banjo nipple		
23	(803684)	1	* Shut-off cock		Obsolete part, 5/16"
24	25167	1	* Hollow screw		
25	191830	1	* Plug		
26	957178	3	* Gasket		
27	89865	1	* Gasket		
28	969405	10	* 6 point socket screw		(956076)
29	941905	10	* Spring washer		
30	(828376)	1	Connector kit		Obsolete part, 3/8"
31	191600	1	* Banjo nipple		
32	954323	1	* Fitting nut		
33	25167	1	* Hollow screw		
34	957178	3	* Gasket		
35	191830	1	* Plug		
36	89865	1	* Gasket		
37	969405	10	* 6 point socket screw		(956076)
38	941905	10	* Spring washer		
39	841523	1	* Faucet		3/8"
40	954323	2	* Fitting nut		
41	1140724	1	Level guard		Replaced by 1pc banjo nipple 861101, 1pc nipple 190962 and 1pc cap nut.
42	957178	2	Gasket		
43	807061	1	Cap nut		
44	25167	1	Hollow screw		
45	954305	X	Tube		5/16"
			* Bulletin P-23-4-3	P-23-4-3-EN	Fuel Line 5/16", Copper Pipe
45	1140062	X	Copper tube		3/8"
46	951189	X	Clamp		
47	968476	X	Flange screw		
48	(1144037)	1	Tank valve		Obsolete part
49		1	Tank gauge	21490	D2-55A, D2-55B, D2-55C, D2-75A
		1	Tank gauge	21459	D2-55D, D2-55E, D2-55F, D2-75B, D2-75C, D2-75F
50	838418	1	Fuel tap		3/8"
51	841523	1	* Faucet		
52	954323	2	* Fitting nut		

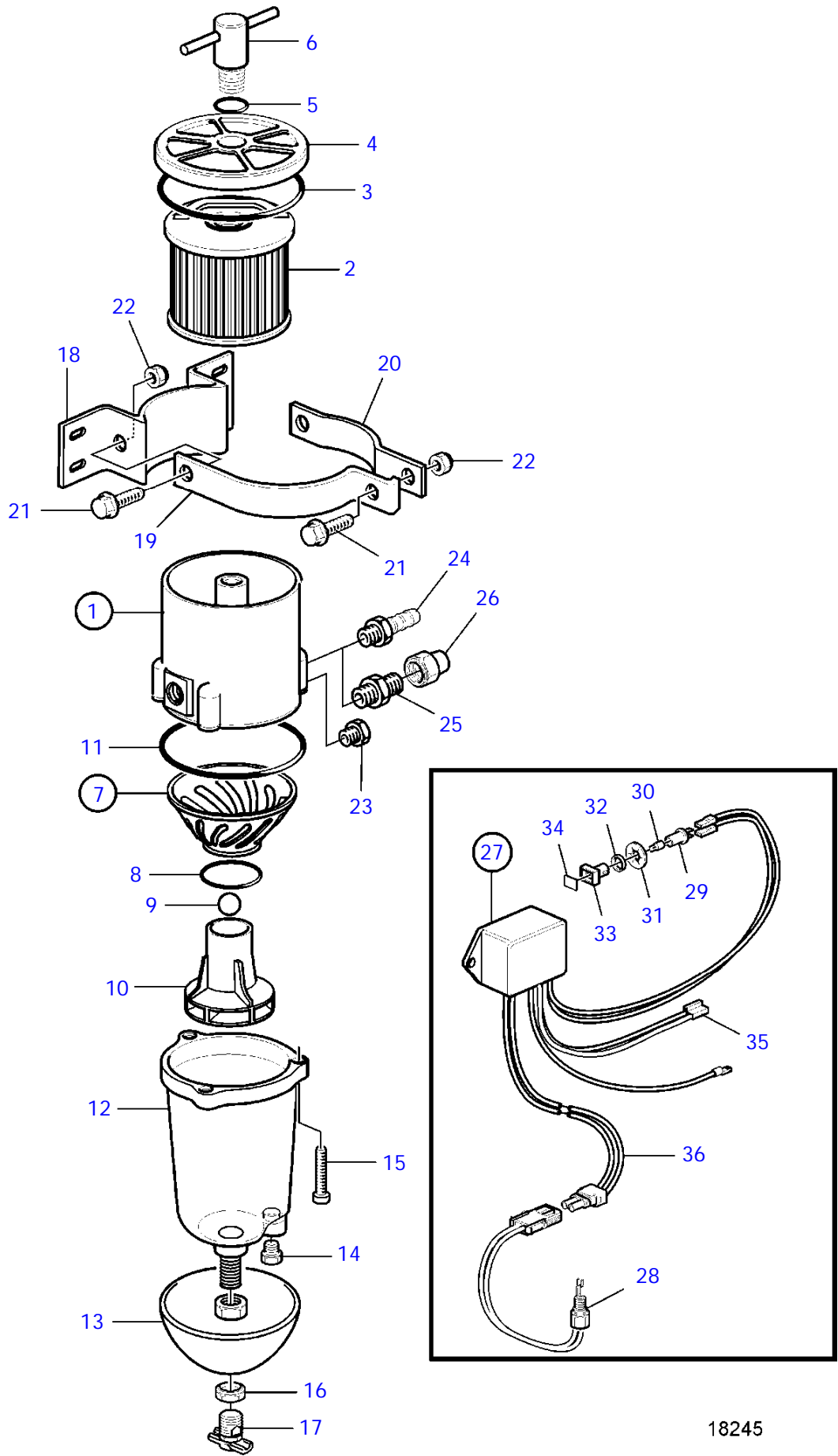
D2-75A, D2-75B, D2-75C, D2-75F



D2-75A, D2-75B, D2-75C, D2-75F

REF	PART NO.	QTY	DESCRIPTION	SEE SEC.	NOTES
1	861143	1	Fuel filter		Repl by 877762
			* Bulletin 50-03	50-03-EN	Extra Fuel/Water Separators, D2010, D22
			* Bulletin 50-10	50-10-EN	Changes in Fuel Filter Program due to Legislation
			* Bulletin 50-11A	50-11A-EN	Fuel Filters / Water Separators
1	877762	1	Fuel filter		
			*		
			*	9024	
2	861014	1	* Insert		
3	838504	1	* Gasket		
4		1	* Lock		
5	838505	1	* O-ring		
6		1	* Handle		
7	861455	1	* O-ring		
8		1	* * O-ring		
9		1	* * Ball		
10		1	* * Insert		
11	3838861	1	* * Gasket		(838502)
12	3838848	1	* Bowl		(861453)
13		1	* Plug		
14	861456	1	* Faucet		
15	950024	4	* Cross recessed screw		
16		1	* Bracket		
17		1	* Clamp		
18		1	* Clamp		
19		3	* Screw		
20		3	* Nut		
21		1	* Plug		
22	3825000	X	Hose nipple		(834781)
23	954337	X	Nipple		
24	954323	X	Fitting nut		
25	1140724	1	Level guard		
26	3588916	1	* Alarm kit		
27	808175	1	* Lamp socket		
28	19923	1	* Bulb		12V, 2W
	182059	1	* Bulb		24V, 3W
29	967583	1	* Retainer		
30	829714	1	* Sealing ring		
31	838455	1	* Retainer		
32	872591	1	* Symbol strip		
33		X	* cables and terminals	1963	
34	881774	1	Wiring harness		

D2-75A, D2-75B, D2-75C, D2-75F

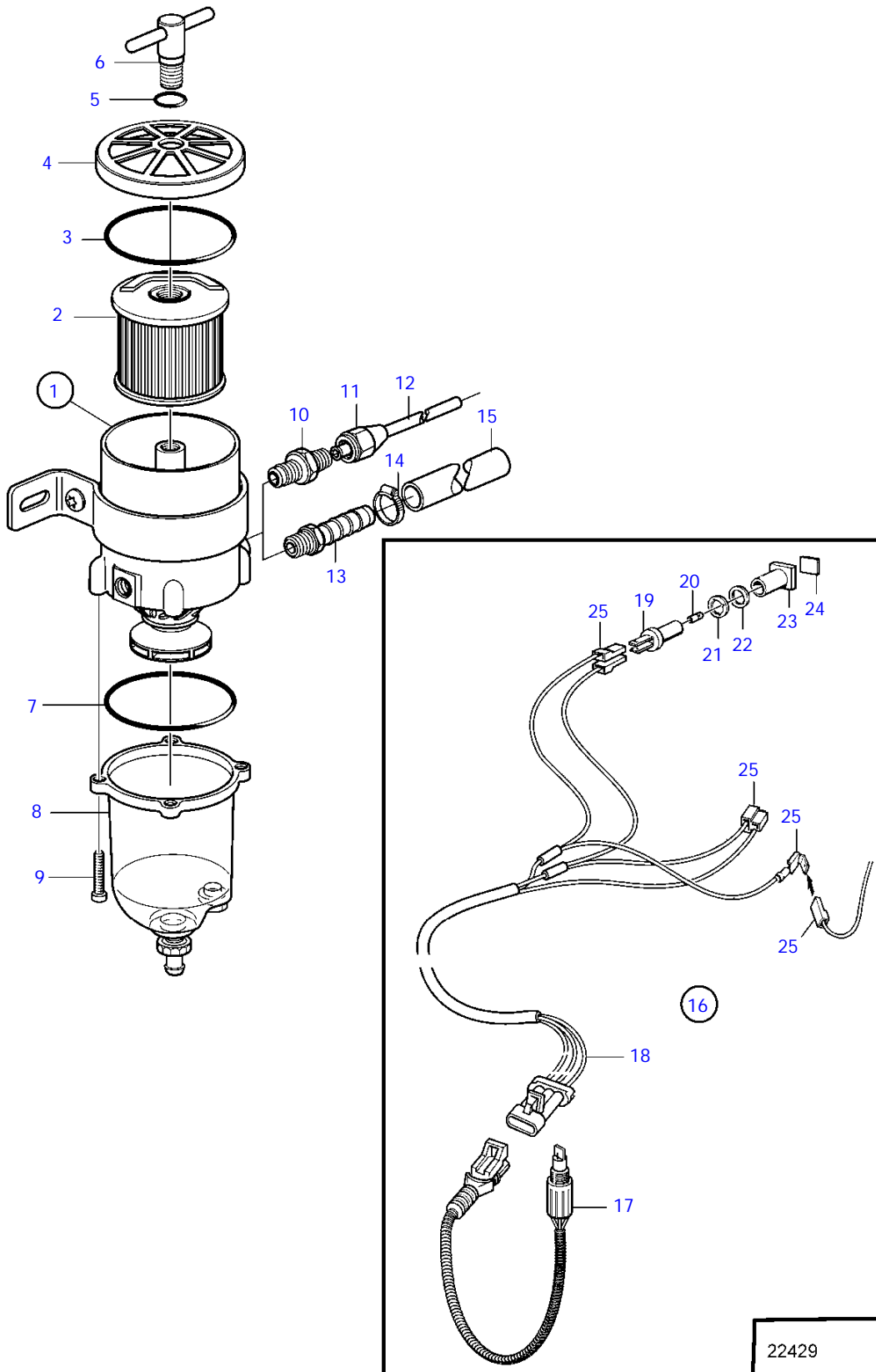


18245

D2-75A, D2-75B, D2-75C, D2-75F

REF	PART NO.	QTY	DESCRIPTION	SEE SEC.	NOTES
1	3582350	1	Fuel filter		Repl by 877763
			* Bulletin 50-11A	50-11A-EN	Fuel Filters / Water Separators
1	877763	1	Fuel filter		
			*	9025	
			*		
2	861014	1	* Insert		
3	838504	1	* Gasket		
4		1	* Lock		
5	838505	1	* O-ring		
6		1	* Handle		
7	861455	1	* O-ring		
8		1	* * O-ring		
9		1	* * Ball		
10		1	* * Insert		
11	3838861	1	* * Gasket		(838502)
12	3838849	1	Bowl		
13		1	* Heat shield		
14		1	* Plug		
15	950024	4	* Cross recessed screw		
16	861459	2	* Nut		
17	(861458)	1	* Faucet		Obsolete part
18		1	* Bracket		
19		1	* Clamp		
20		1	* Clamp		
21		3	* Screw		
22		3	* Nut		
23		1	* Plug		
24	3825000	X	Hose nipple		(834781)
25	954337	X	Nipple		
26	954323	X	Fitting nut		
27	1140724	1	Level guard		(1140609)
28	3588916	1	* Alarm kit		
29	808175	1	* Lamp socket		
30	19923	1	* Bulb		12V, 2W
	182059	1	* Bulb		24V, 3W
31	967583	1	* Retainer		
32	829714	1	* Sealing ring		
33	838455	1	* Retainer		
34	872591	1	* Symbol strip		
35		X	* cables and terminals	1963	
36	881774	1	Wiring harness		

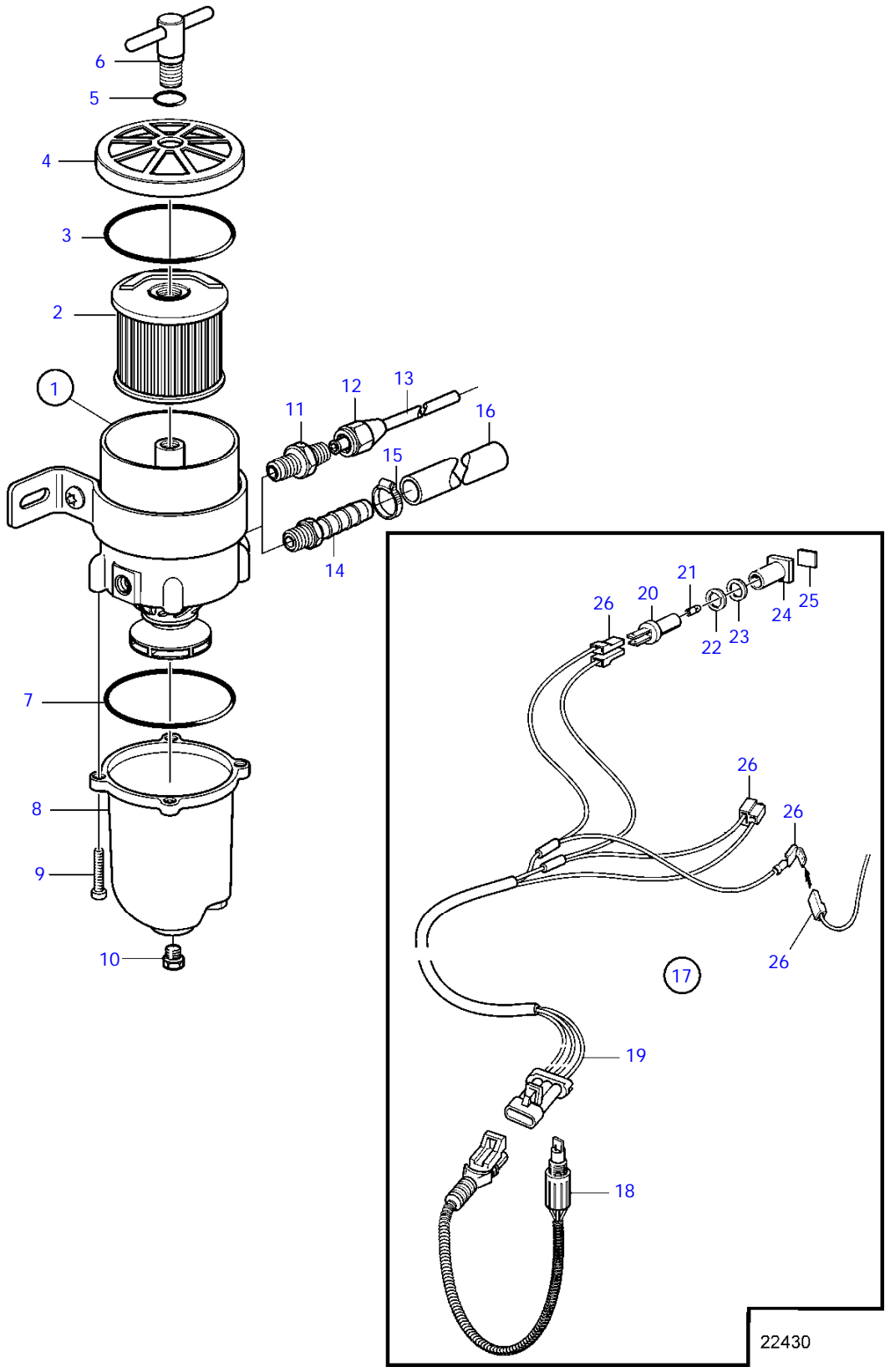
D2-75A, D2-75B, D2-75C, D2-75F



D2-75A, D2-75B, D2-75C, D2-75F

REF	PART NO.	QTY	DESCRIPTION	SEE SEC.	NOTES
1	877762	1	Fuel filter		(861143)
2	1147147	1	* Fuel filter insert		2 mikron
	861014	1	* Insert		10 mikron
	3581760	1	* Insert		30 mikron
3	838504	1	* Gasket		
4		1	* Lock		
5	838505	1	* O-ring		
6		1	* Handle		
7	3838861	1	* Gasket		
8	3838848	1	* Bowl		
9	950024	4	* Cross recessed screw		
10	954337	2	Nipple		
11	954323	2	Fitting nut		
12	1140062	2	Copper tube		
13	3825000	2	Hose nipple		
14	961664	2	Hose clamp		
15	861057	X	Fuel hose		3/8"
			* Bulletin P-23-4-4	P-23-4-4-EN	Fuel Hose P/N 861057
16	1140724	1	Level guard		
17	3588916	1	* Alarm kit		
18	881774	1	* Wiring harness		
19	808175	1	* Lamp socket		
20	19923	1	* Bulb		12V, 2W
	182059	1	* Bulb		24V, 3W
21	967583	1	* Retainer		
22	829714	1	* Sealing ring		
23	838455	1	* Retainer		
24	872591	1	* Symbol strip		
25		X	* cables and terminals	1963	

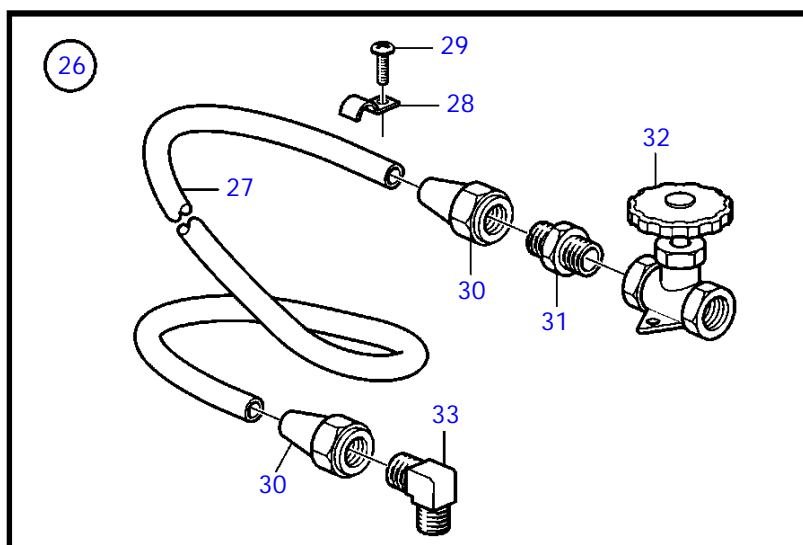
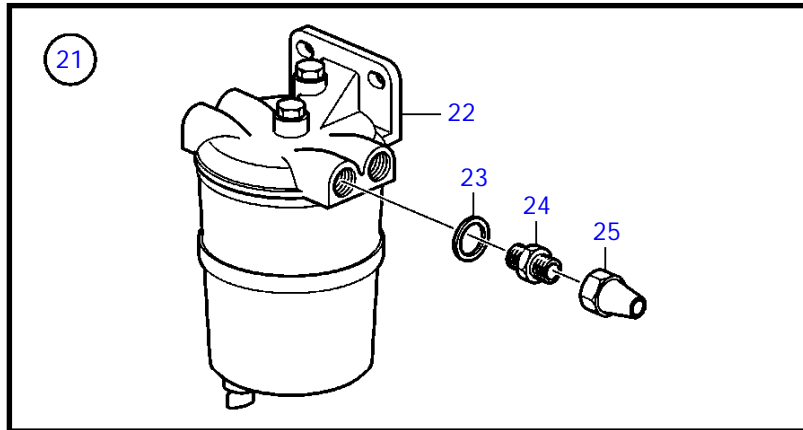
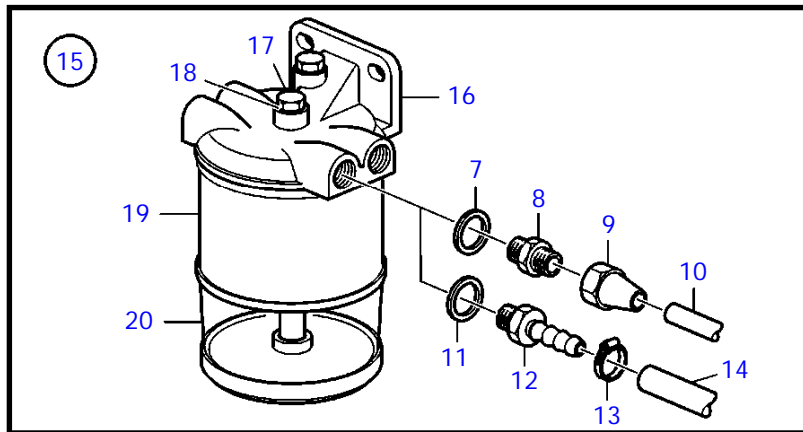
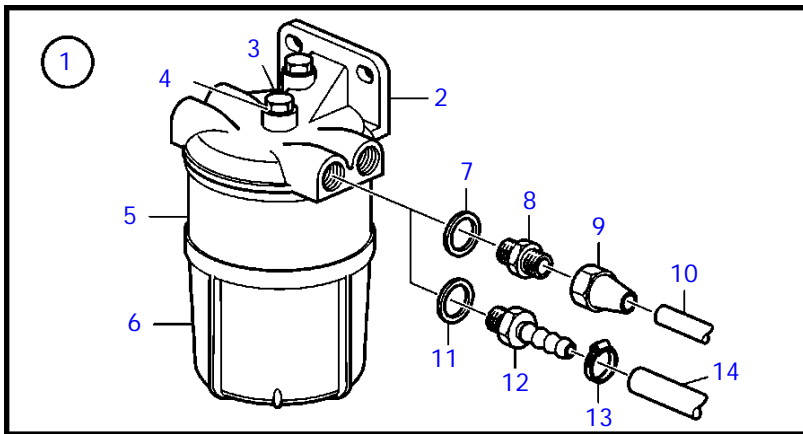
D2-75A, D2-75B, D2-75C, D2-75F



D2-75A, D2-75B, D2-75C, D2-75F

REF	PART NO.	QTY	DESCRIPTION	SEE SEC.	NOTES
1	877763	1	Fuel filter		
2	1147147	1	* Fuel filter insert		2 mikron
	861014	1	* Insert		10 mikron
	3581760	1	* Insert		30 mikron
3	838504	1	* Gasket		
4		1	* Lock		
5	838505	1	* O-ring		
6		1	* Handle		
7	3838861	1	* Gasket		
8	3838849	1	* Bowl		
9	950024	4	* Cross recessed screw		
10	952075	1	* Plug		
11	954337	2	Nipple		
12	954323	2	Fitting nut		
13	1140062	2	Copper tube		
14	3825000	2	Hose nipple		
15	961664	2	Hose clamp		
16	861057	X	Fuel hose		3/8"
			* Bulletin P-23-4-4	P-23-4-4-EN	Fuel Hose P/N 861057
17	1140724	1	Level guard		
18	3588916	1	* Alarm kit		
19	881774	1	* Wiring harness		
20	808175	1	* Lamp socket		
21	19923	1	* Bulb		12V, 2W
	182059	1	* Bulb		24V, 3W
22	967583	1	* Retainer		
23	829714	1	* Sealing ring		
24	838455	1	* Retainer		
25	872591	1	* Symbol strip		
26		X	* cables and terminals	1963	

D2-75A, D2-75B, D2-75C, D2-75F

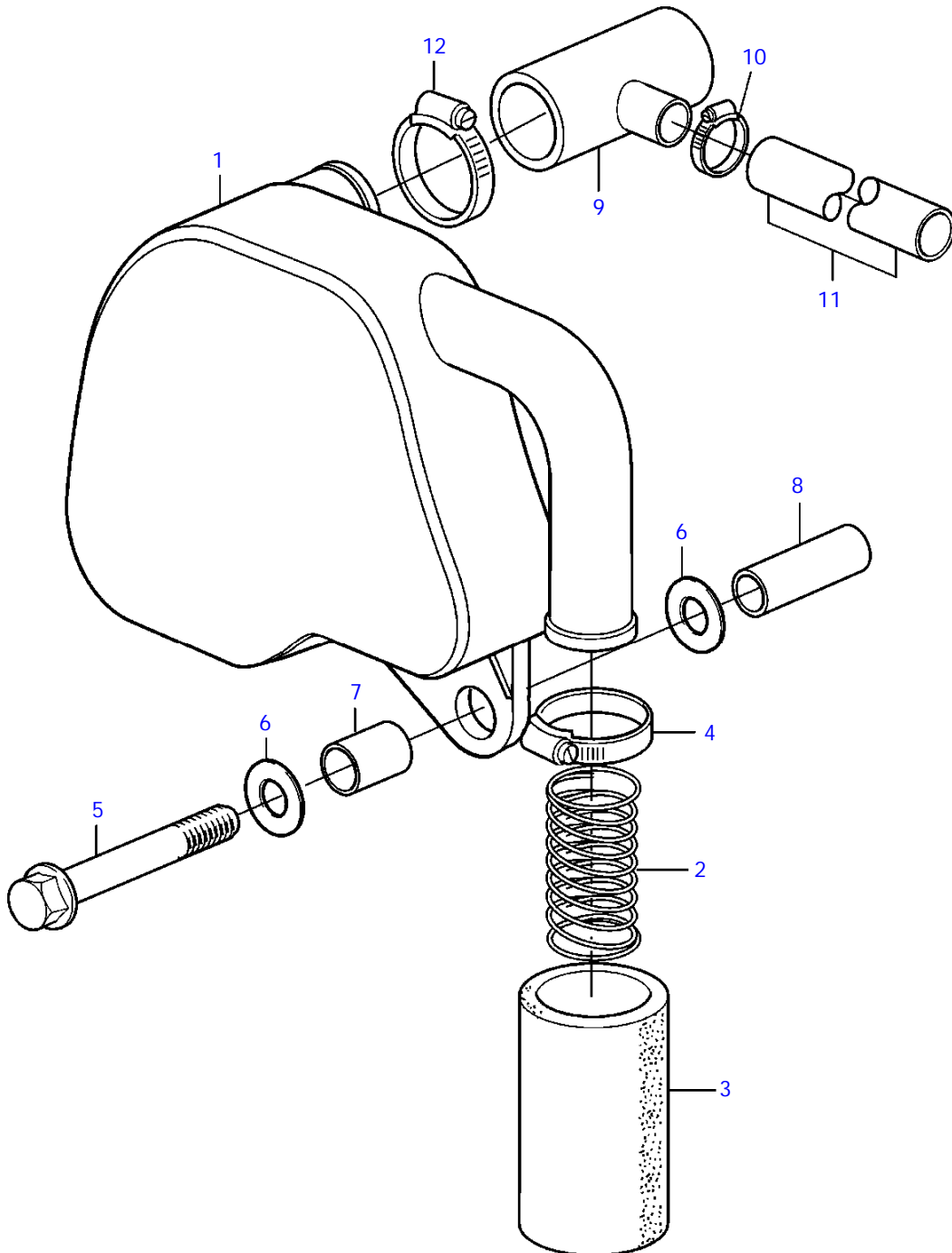


22464

D2-75A, D2-75B, D2-75C, D2-75F

REF	PART NO.	QTY	DESCRIPTION	SEE SEC.	NOTES
1	877766	1	Fuel filter		Fuel filter and water separator., Metal
2		1	* Fuel filter		
		2	* Bulletin 50-11A	50-11A-EN	Fuel Filters / Water Separators
3	940113	1	* * Hexagon screw		
4	11992	1	* * Gasket		
5	3581078	1	* * Filter insert		
6	3582499	1	* * Bowl		
7	18817	2	Gasket		
8	190962	2	Nipple		5/16"
	954337	2	Nipple		3/8"
9	954322	2	Fitting nut		5/16"
	954323	2	Fitting nut		3/8"
10	954305	X	Tube		Water separator., 5/16"
			* Bulletin P-23-4-3	P-23-4-3-EN	Fuel Line 5/16", Copper Pipe
10	1140062	X	Copper tube		Water separator., 3/8"
11	957177	2	Gasket		
12	3825000	2	Hose nipple		
13	961664	2	Hose clamp		
14	861057	X	Fuel hose		3/8"
			* Bulletin P-23-4-4	P-23-4-4-EN	Fuel Hose P/N 861057
15	877767	1	Fuel filter		Plastic
16		1	* Fuel filter		
17	940113	1	* * Hexagon screw		
18	11992	1	* * Gasket		
19	3581078	1	* * Filter insert		
20	3581189	1	* * Bowl		
21	833972	1	Water separator		
22	833971	1	* Water separator		
23	957177	2	* Gasket		
24	191397	2	* Nipple		5/16"
	941438	2	* Nipple		3/8"
25	954322	2	* Fitting nut		5/16"
	954323	2	* Fitting nut		3/8"
26	827912	1	Fuel pipe		5/16"
			* Bulletin P-23-4-3	P-23-4-3-EN	Fuel Line 5/16", Copper Pipe
27	954305	1	Tube		5/16", L=5000mm
			* Bulletin P-23-4-3	P-23-4-3-EN	Fuel Line 5/16", Copper Pipe
28	951189	15	* Clamp		
29	968476	15	* Flange screw		
30	954322	3	* Fitting nut		5/16"
31	954336	2	* Nipple		5/16"
32	3581708	1	* Faucet		
33	954343	1	* Elbow nipple		

D2-75A, D2-75B, D2-75C, D2-75F

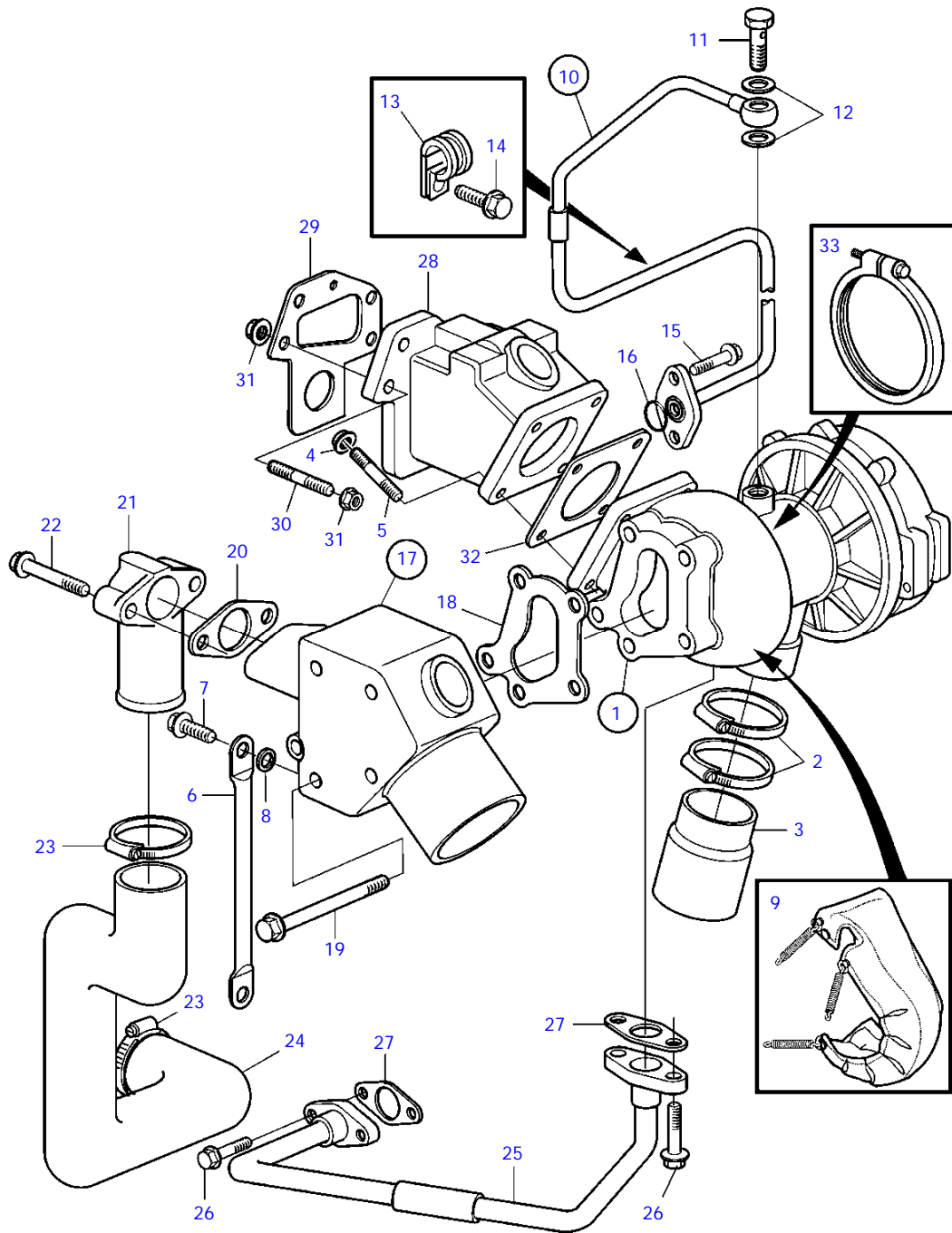


20034

D2-75A, D2-75B, D2-75C, D2-75F

REF	PART NO.	QTY	DESCRIPTION
1	3583068	1	Muffler
2	3580510	1	Spring
3	3580509	1	Filter
4	961672	2	Hose clamp
5	955313	1	Hexagon screw
6	191169	2	Washer
7	3818117	1	Spacer
8	3587408	1	Spacer
9	3584425	1	Adapter
10	961664	1	Hose clamp
11	3808668	1	Pipe
12	961664	1	Hose clamp

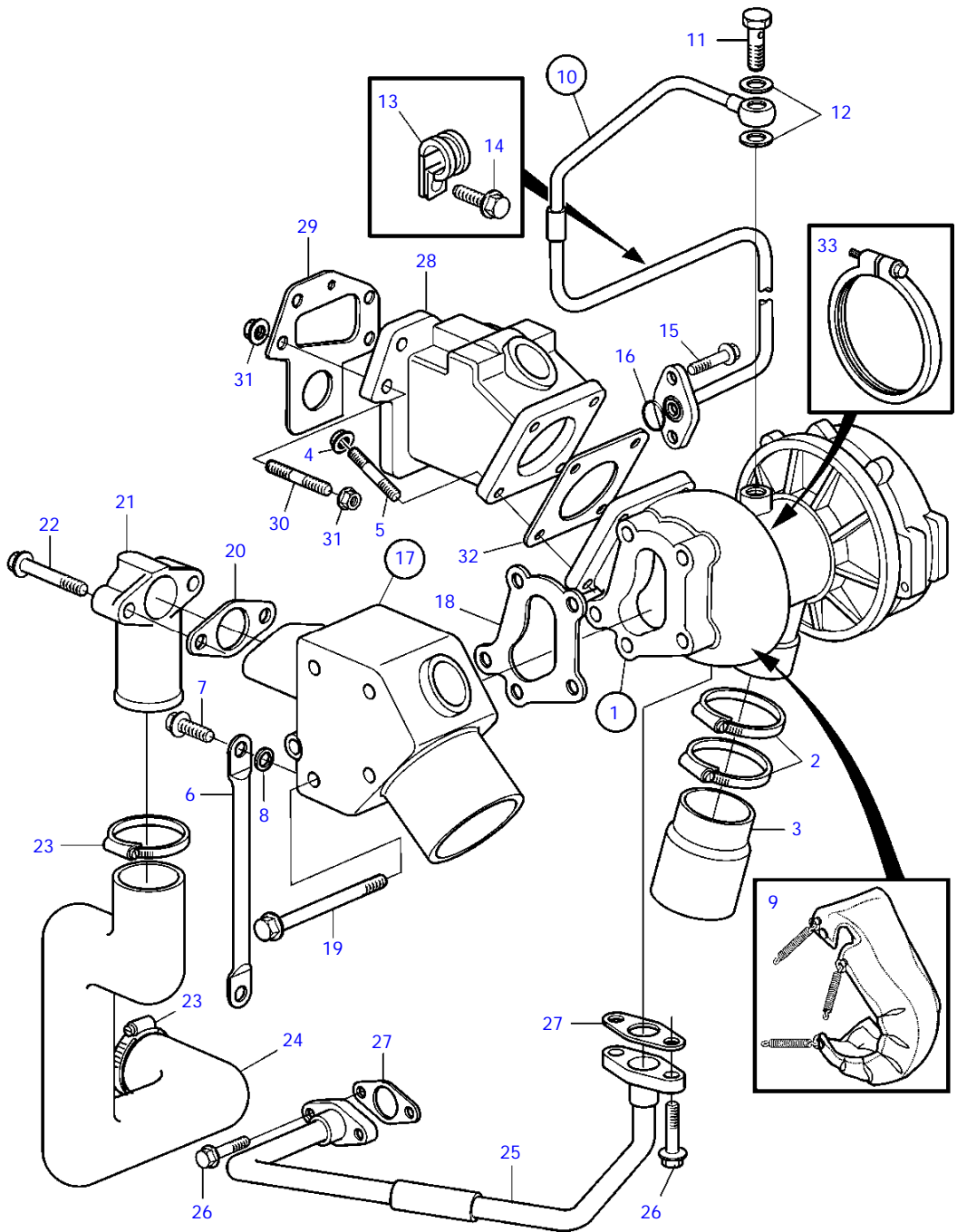
D2-75A, D2-75B, D2-75C



20066

D2-75A, D2-75B, D2-75C

REF	PART NO.	QTY	DESCRIPTION	NOTES
1	3801341	1	Turbocharger	
2	3809700	2	Hose clamp	
3	3584099	1	Hose	
4	948645	8	Flange lock nut	
5	3584105	4	Stud	
6	3584426	1	Stay	
7	3583728	2	Screw	
8	3580031	1	Washer	
9	3584129	1	Heat shield	
10	3584106	1	Oil pipe	
11	942806	1	Hollow screw	
12	18665	2	Gasket	
13		1	* Hose clamp	
14	3583769	1	* Screw	
15	3580581	2	* Screw	
16	3583581	1	* O-ring	
17	3584413	1	Exhaust riser	
18	21194801	1	Gasket	
19	965183	5	Flange screw	L=90mm
20	859835	1	Gasket	
21	859836	1	Connector	(3587410)
22	947760	2	Flange screw	
23	853548	2	Hose clamp	
24	3589453	1	Hose	
25	21195200	1	Oil pipe	(3584109)
26	3884535	4	Screw	
27	3584110	2	Gasket	
28	3583996	1	Adapter	
29	888596	1	Gasket	
30	3584105	4	Stud	
31	948645	4	Flange lock nut	
32	3584104	1	Gasket	
33		1	Clamp	

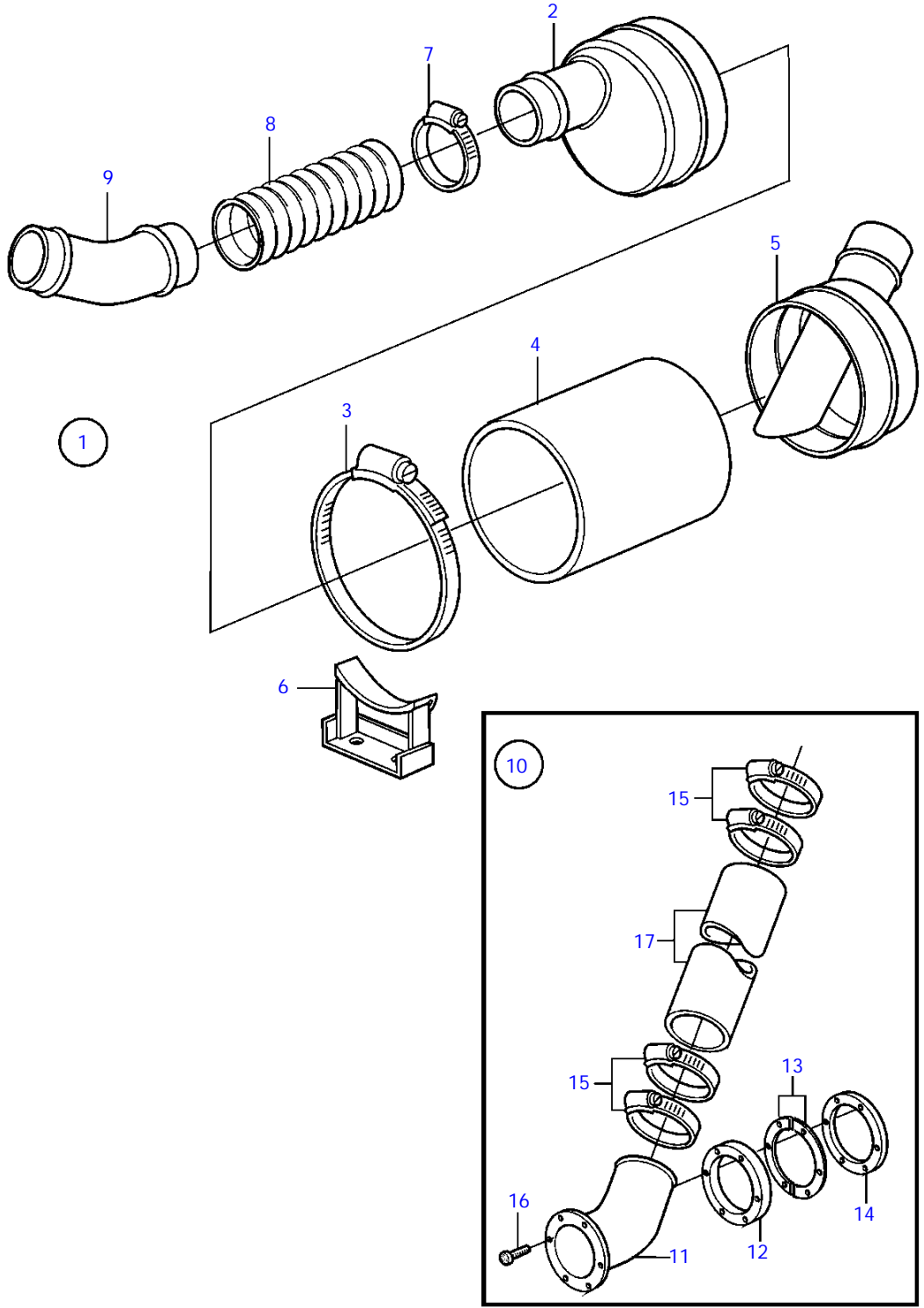


20066

D2-75F

REF	PART NO.	QTY	DESCRIPTION	NOTES
1	3801341	1	Turbocharger	
2	3809700	2	Hose clamp	
3	3584099	1	Hose	
4	948645	8	Flange lock nut	
5	3584105	4	Stud	
6	3584426	1	Stay	
7	3583728	2	Screw	
8	3580031	1	Washer	
9	21195170	1	Heat shield	
10	21195197	1	Pipe	
11	21260601	1	* Hollow screw	
12	21260612	2	* Gasket	
13	21260619	1	* Hose clamp	
14	3583769	1	Screw	
15	3580581	2	Screw	
16	3583581	1	O-ring	
17	3584413	1	Exhaust riser	
18	21194801	1	Gasket	
19	965183	5	Flange screw	L=90mm
20	859835	1	Gasket	
21	859836	1	Connector	
22	947760	2	Flange screw	
23	853548	2	Hose clamp	
24	3589453	1	Hose	
25	21195200	1	Oil pipe	
26	3884535	4	Screw	
27	3584110	2	Gasket	
28	3583996	1	Adapter	
29	888596	1	Gasket	
30	3584105	4	Stud	
31	21246409	4	Flange nut	
32	3584104	1	Gasket	
33		1	Clamp	

D2-75A, D2-75B, D2-75C, D2-75F



18288



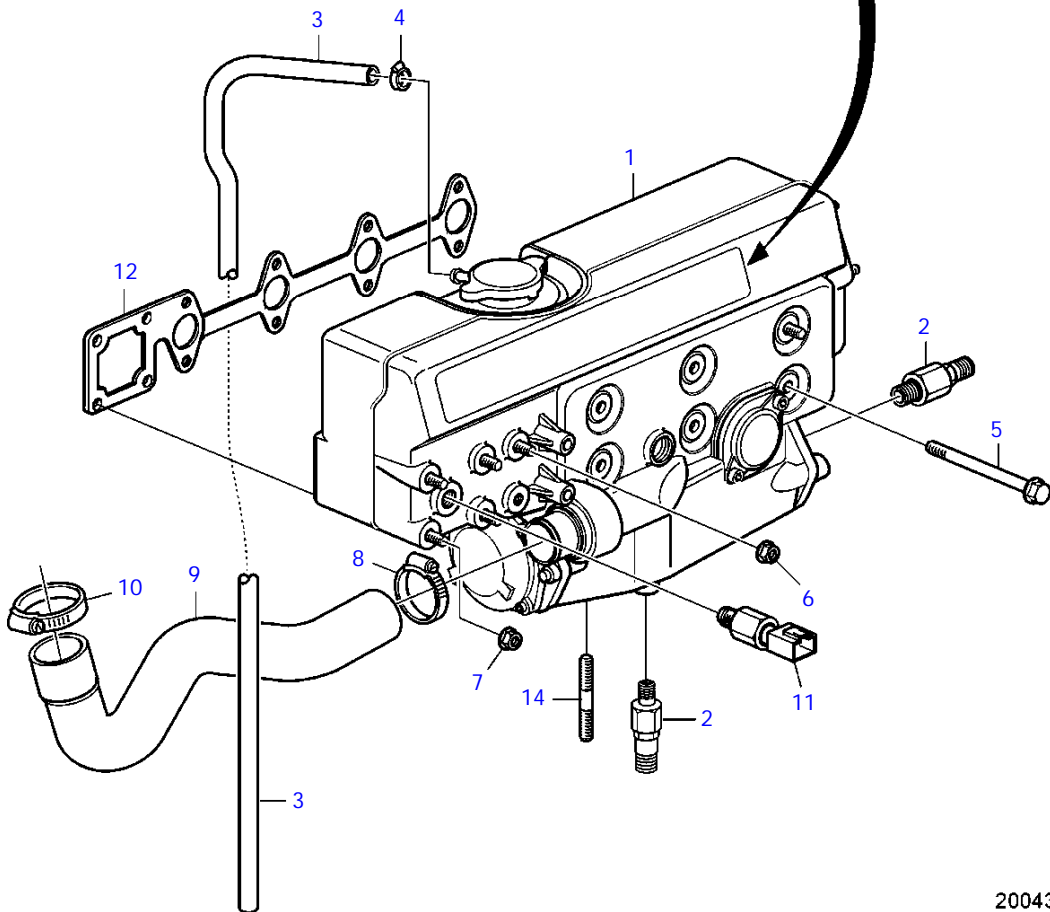
D2-75A, D2-75B, D2-75C, D2-75F

REF	PART NO.	QTY	DESCRIPTION	NOTES
1	842768	1	Muffler	
2		1	* End plate	
3	949000	4	* Hose clamp	
4	842766	1	* Exhaust hose	
5		1	* End plate	
6	842767	2	* Bracket	
7	853012	X	Hose clamp	
8	1140667	X	Exhaust hose	(828729)
9	843287	1	Riser	
10	828295	1	Hull fitting	
11	828292	1	* Hull fitting	
12	828293	1	* Expander	
13		2	* Washer	
14	828412	1	* Washer	
15	853012	4	* Hose clamp	
16	828410	6	* Screw	
17	1140667	X	* Exhaust hose	(828729)

13

**VOLVO
PENTA**

D2-75

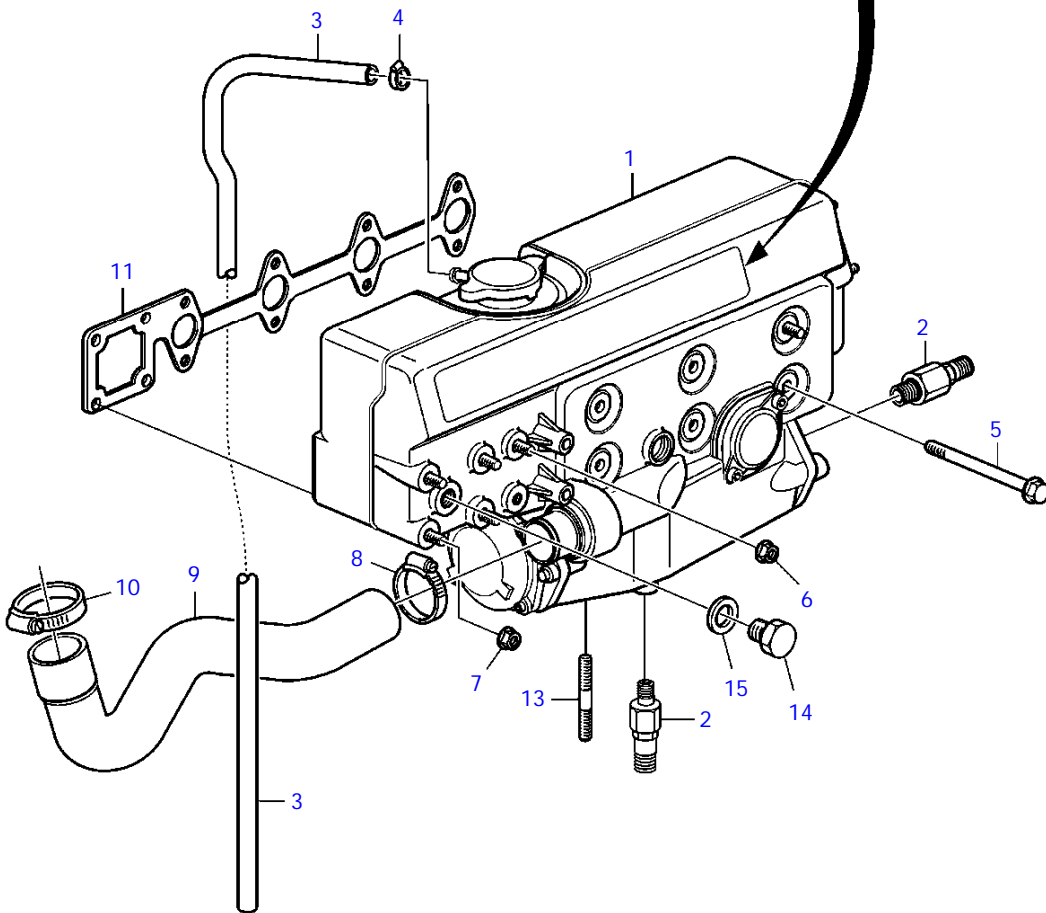
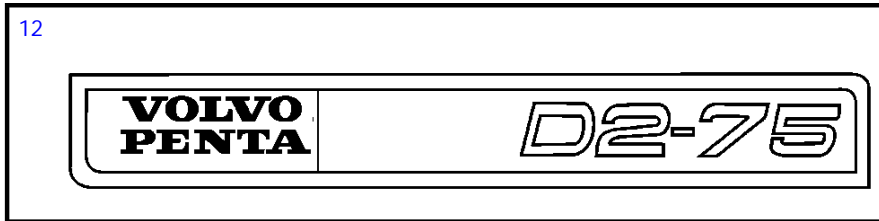


20043

D2-75A

REF	PART NO.	QTY	DESCRIPTION	SEE SEC.	NOTES
1	3808561	1	Heat exchanger		
			*		
			*	9867	
2	949918	3	Shut-off cock		
3	192618	1	Hose		
4	961662	1	Hose clamp		
5	968842	6	Flange screw		L=110mm
6	948645	2	Flange lock nut		
7	971096	4	Flange nut		
8	853548	1	Hose clamp		
9	3583065	1	Pipe		
10	961669	1	Hose clamp		
11		1	Pressure sensor	6757	
12	3583781	1	Gasket		
13	3584101	1	Decal		
14	3584105	4	Stud		

D2-75B, D2-75C, D2-75F



23596

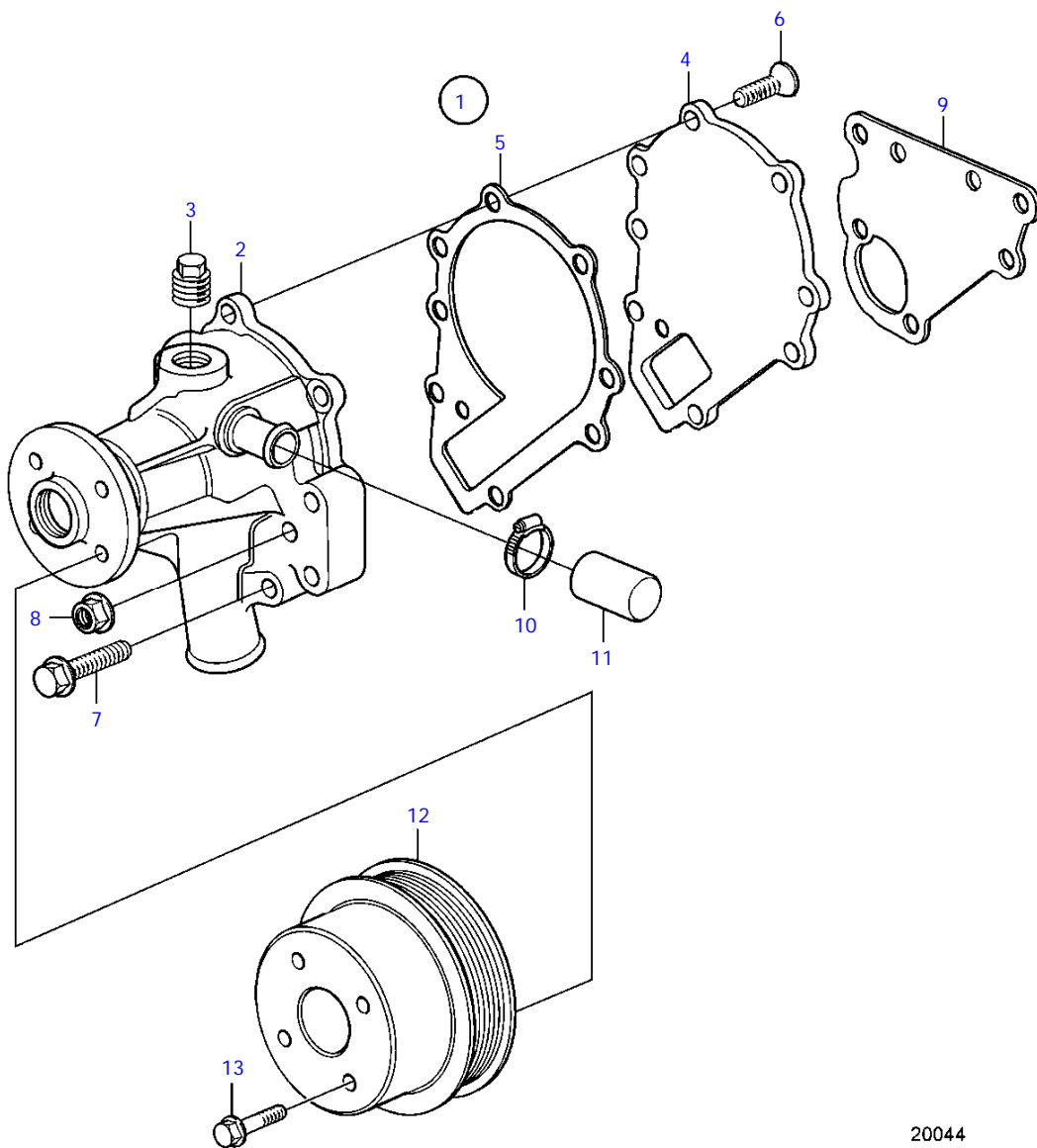
D2-75B, D2-75C, D2-75F

REF	PART NO.	QTY	DESCRIPTION	SEE SEC.	NOTES
1	3808561	1	Heat exchanger		
			*		
			*	9867	
2	949918	3	Shut-off cock		
3	192618	1	Hose		
4	961662	1	Hose clamp		
5	968842	6	Flange screw		L=110mm
6	948645	2	Flange lock nut		D2-75B, D2-75C
	21246409	2	Flange nut		D2-75F
7	971096	4	Flange nut		D2-75B, D2-75C
	945407		Flange nut		D2-75F
8	853548	1	Hose clamp		
9	3583065	1	Pipe		
10	961669	1	Hose clamp		
11	3583781	1	Gasket		
12	3584101	1	Decal		
13	3584105	4	Stud		
14	960631	1	Plug		
15	11996	1	Gasket		

D2-75A, D2-75B, D2-75C, D2-75F

REF	PART NO.	QTY	DESCRIPTION	NOTES
1	3808561	1	Heat exchanger	
2	888628	1	* Cover	
3	888627	1	* Heater	
4	3838337	6	* Screw	
5	3581070	3	* O-ring	
6	3580870	1	* Washer	
7	888626	1	* Heater	
8	888625	1	* Cardboard tube	
9	888622	1	* Thermostat	
10	3583830	1	* O-ring	(888623)
11	888624	1	* Thermostat	
12	3586514	1	* O-ring	
13	959222	2	* Hex. socket screw	
14	3584203	4	* Stud	
15	949918	2	Shut-off cock	

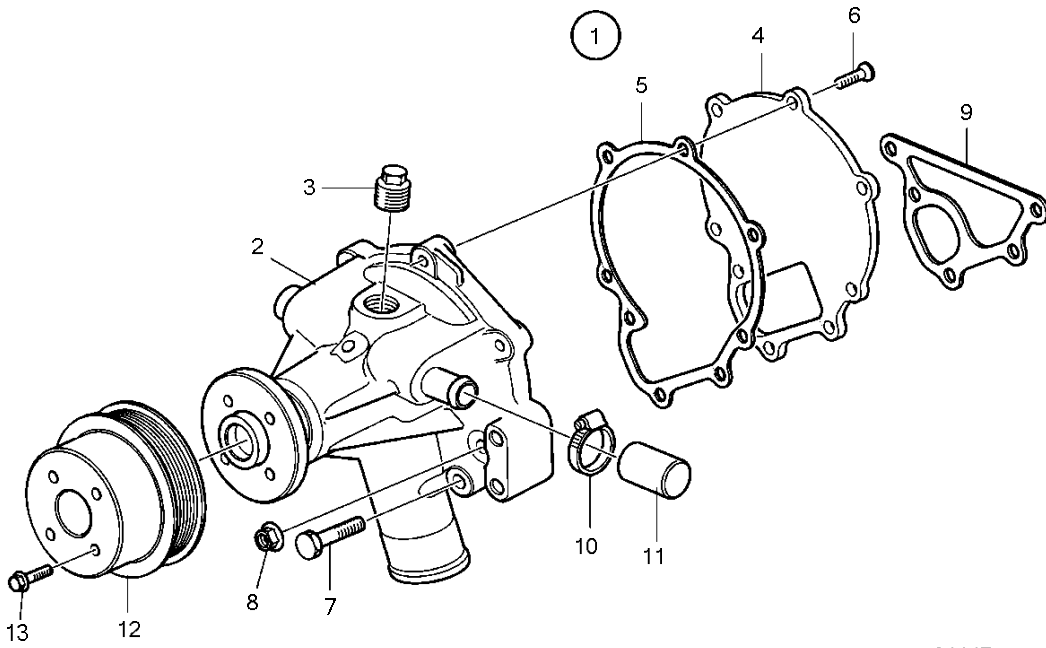
D2-75A, D2-75B, D2-75C



20044

D2-75A, D2-75B, D2-75C

REF	PART NO.	QTY	DESCRIPTION	NOTES
1	3583561	1	Water pump	Replaced by 21169678
	21169678	1	Water pump	
	3801345	1	Coolant pump, exch	
2		1	• Housing	
3		1	• Plug	
4	3580575	1	• Plate	
5	3580576	1	• Plate	
6	3580577	3	• Screw	
7	3580258	4	Screw	
8	945407	1	Flange nut	
9	3583754	1	Gasket	
10	961664	1	Hose clamp	
11	842235	1	Cardboard tube	
12	3584085	1	Pulley	
13	3580013	4	Screw	

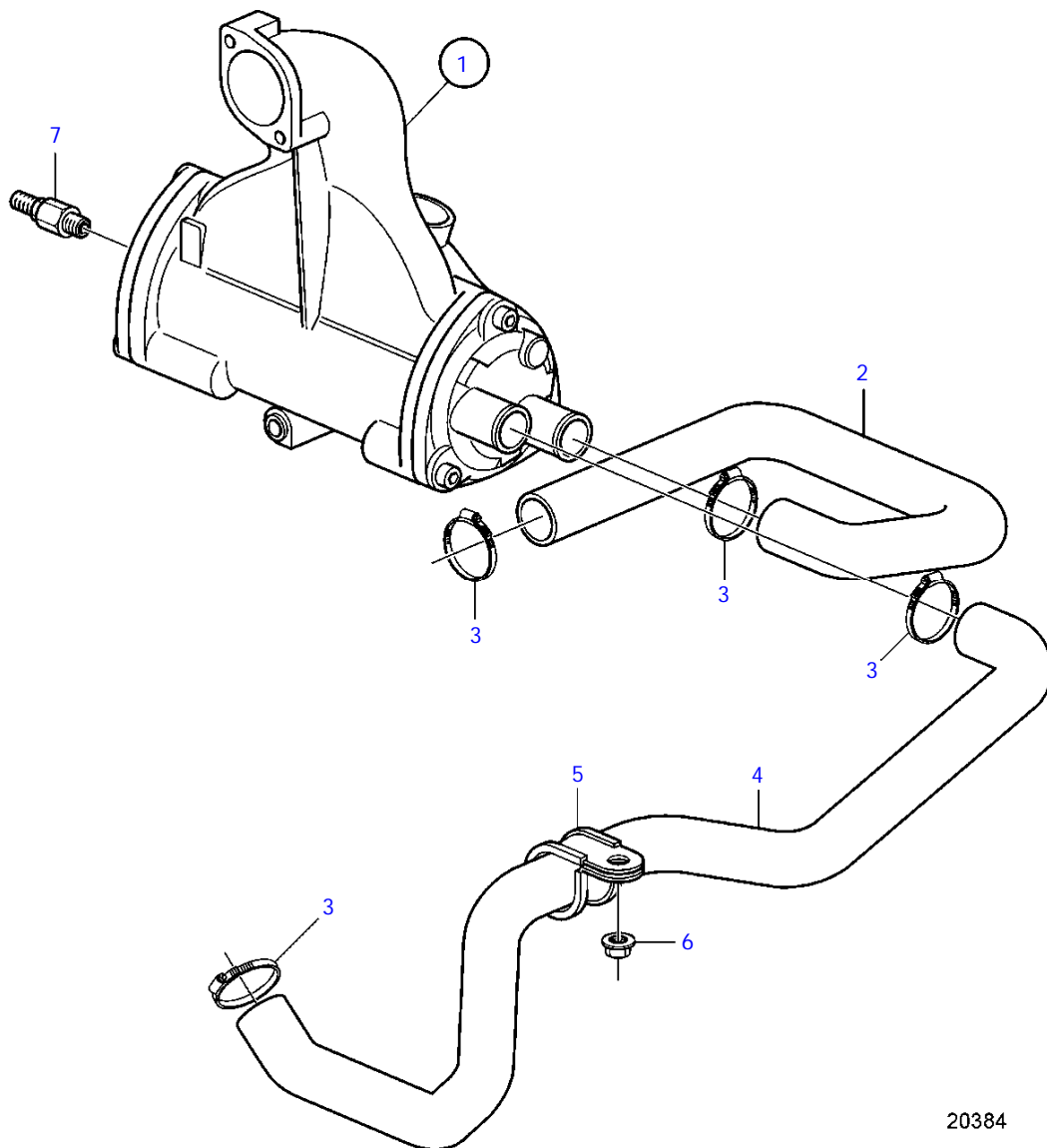


24447

D2-75F

REF	PART NO.	QTY	DESCRIPTION
1	21169678	1	Water pump
	3801345	1	Coolant pump, exch
2		1	* Water pump
3		1	* Plug
4	3580575	1	* Plate
5	3580576	1	* Plate
6	3580577	3	* Screw
7	3580258	4	Screw
8	945407	1	Flange nut
9	21194527	1	Gasket
10	961664	1	Hose clamp
11	842235	1	Cardboard tube
12	21194494	1	Pulley
13	3580581	4	Screw

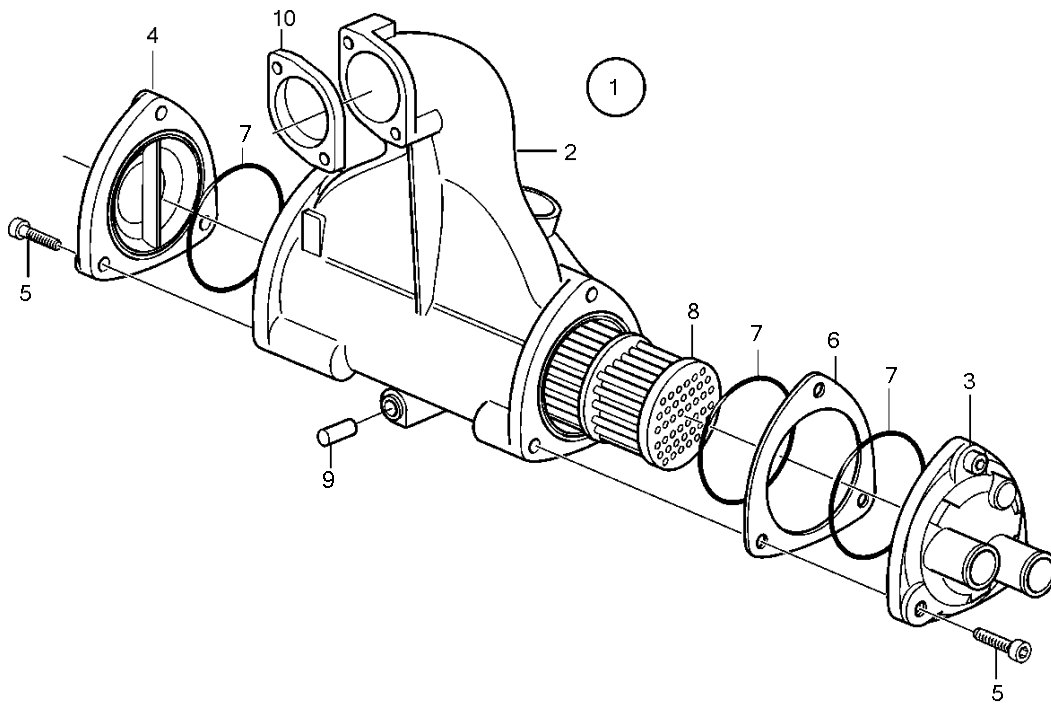
D2-75A, D2-75B, D2-75C, D2-75F



D2-75A, D2-75B, D2-75C, D2-75F

REF	PART NO.	QTY	DESCRIPTION	SEE SEC.
1			Intercooler	
			*	
			*	7144
2	3584096	1	Hose	
3	853548	4	Hose clamp	
4	3584095	1	Hose	
5	949850	1	Clamp	
6	948645	1	Flange lock nut	
7	949918	1	Shut-off cock	

D2-75A, D2-75B, D2-75C, D2-75F

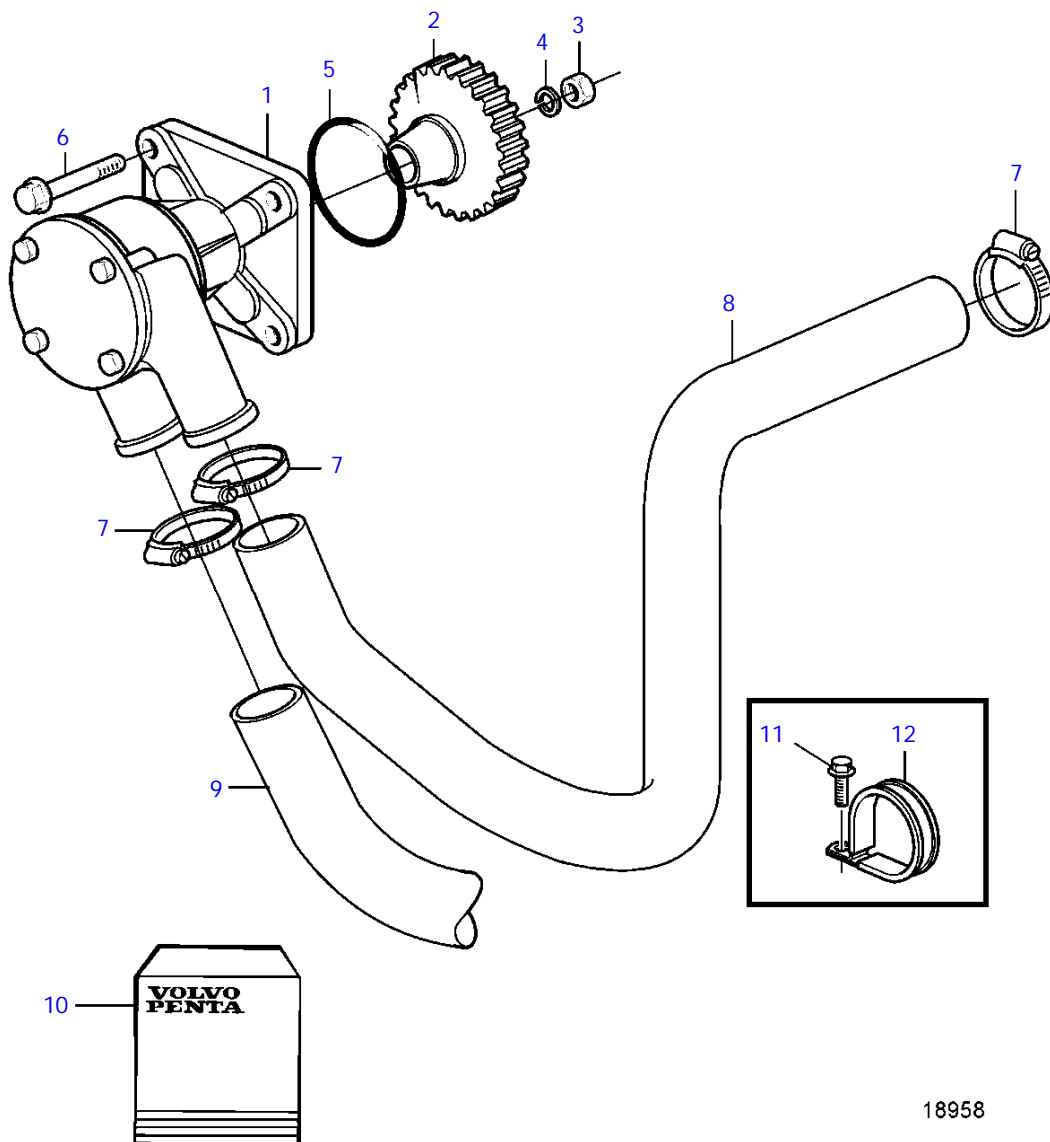


20385

D2-75A, D2-75B, D2-75C, D2-75F

REF	PART NO.	QTY	DESCRIPTION
1	3584098	1	Intercooler
2	888618	1	* Heat exchanger housi
3	888617	1	* Cover
4	888616	1	* Heater
5	3838337	6	* Screw
6	3580870	1	* Washer
7	3581070	4	* O-ring
8	888615	1	* Heater
9	888614	1	* Spring pin
10	3583658	1	Gasket

D2-75A, D2-75B, D2-75C, D2-75F

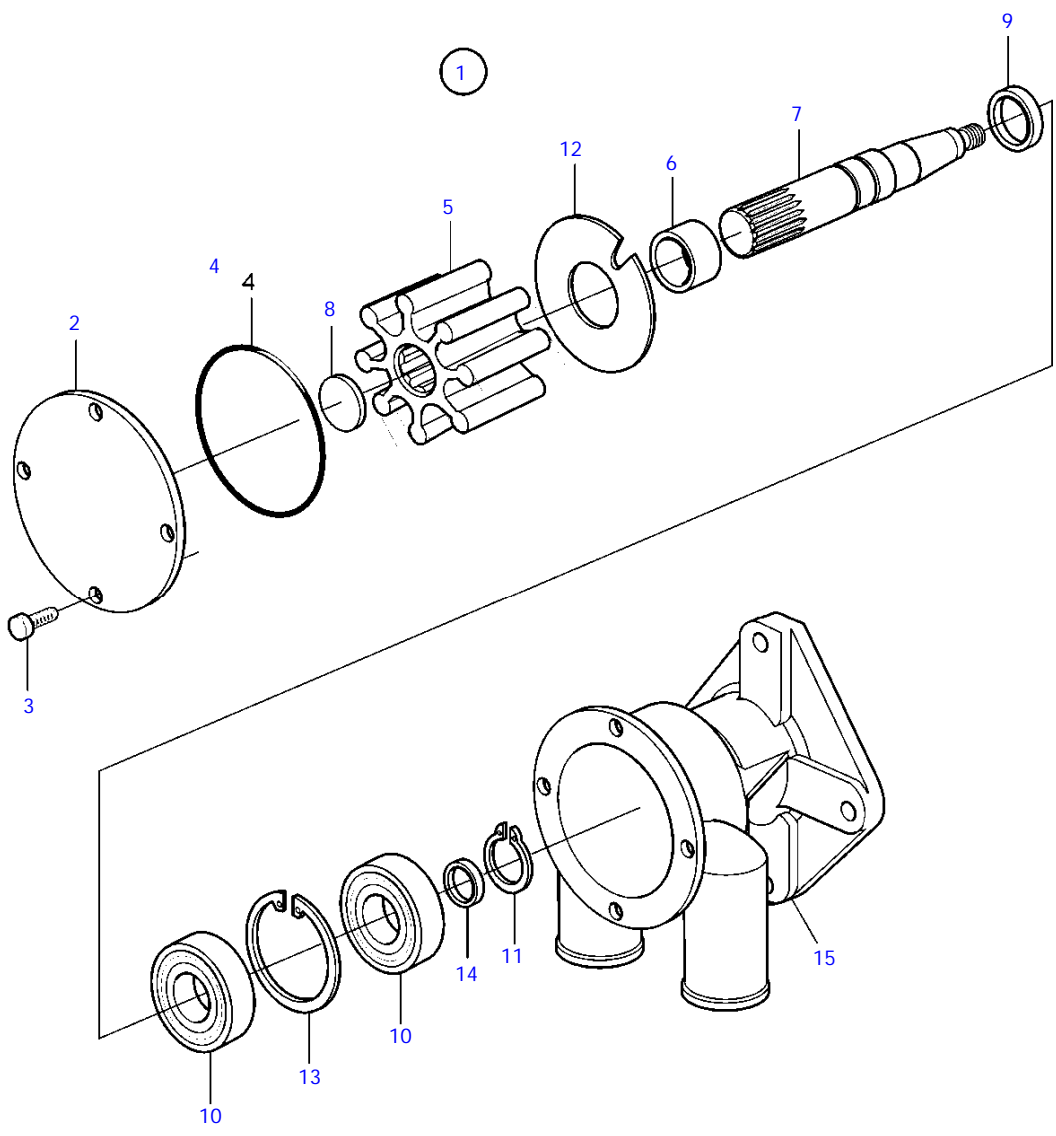


18958

D2-75A, D2-75B, D2-75C, D2-75F

REF	PART NO.	QTY	DESCRIPTION	SEE SEC.
1	3583089	1	Sea water pump	
			*	
			*	7171
2	3580379	1	Gear	
3	971071	1	Hexagon nut	
4	3580015	1	Spring washer	
5	3580380	1	O-ring	
6	21252722	4	Flange screw	
7	853548	4	Hose clamp	
8	3584095	1	Hose	
9		1	Hose	
			*	
			*	5505
			*	
			*	5508
10			Impeller kit	
			*	6910
11	21246630	1	Hexagon screw	
12	949850	1	Clamp	

D2-75A, D2-75B, D2-75C, D2-75F



20426



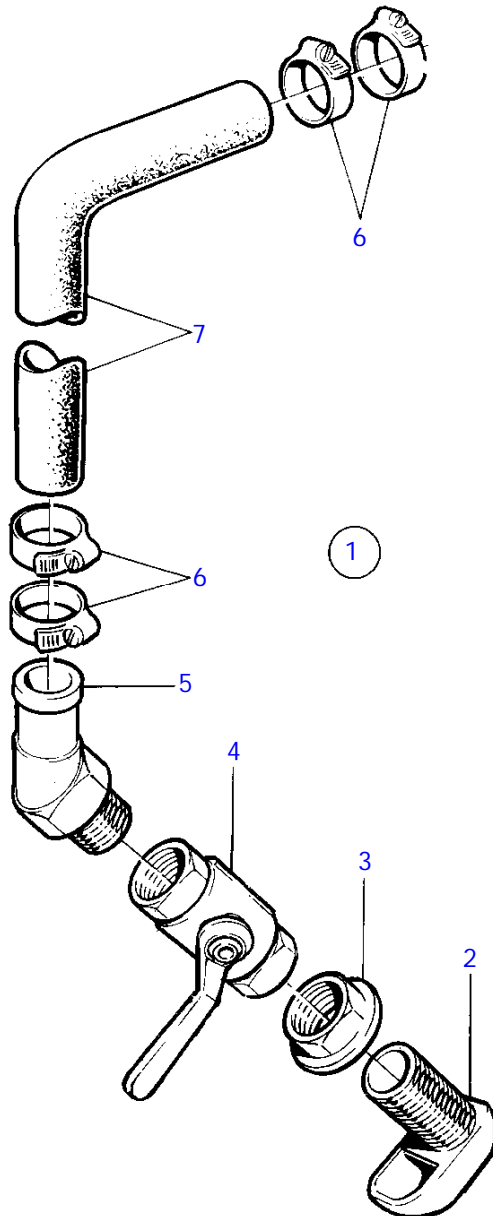
D2-75A, D2-75B, D2-75C, D2-75F

REF	PART NO.	QTY	DESCRIPTION	SEE SEC.	NOTES
1	3583089	1	Sea water pump		
2	3583985	1	* Cardboard tube		
3	3885957	4	* Slotted screw		
4	3583809	1	* O-ring		
5		1	* Impeller kit	6910	D2-75
		1	* Impeller kit	5516	D2-55
6	3583987	1	* Sealing ring		
7		1	* Shaft		
8	3583988	1	* Washer		
9	925057	1	* O-ring		
10	3583989	1	* Ball bearing		Replaced by 860202
	860202	2	* Bearing		
11	914451	1	* Snap ring		
12		1	* Wear ring		
13	3583991	1	* Locking clip		
14	3583992	1	* Sealing ring		
15		1	* Housing		

D2-75A, D2-75B, D2-75C, D2-75F

REF	PART NO.	QTY	DESCRIPTION	SEE SEC.	NOTES
1	3581427	1	Expansion tank		
1A	861105	1	* Expansion tank		
			* Bulletin P-18-4-4	P-18-4-4-EN	Coolant Recommendations for Gas Engines
			* Bulletin p-26-1-7	p-26-1-7-EN	Coolant Capacity, FWC Gas Engines
2	3582351	1	* Bracket		
3	1674083	1	* Pressure cap		75kPa
4	961663	2	* Hose clamp		
5	961666	2	* Hose clamp		
6	3581441	1	* Hose connection		
6A	943516	1	* * Elbow nipple		
7	860558	1	* * Hose coupling		
8	861740	1	* * Cardboard tube		
9	3581430	1	* * Sealing retainer		
10	1543751	1	* * Sealing ring		
11	(861759)	1	Level guard		Obsolete part
11A	3547710	1	* Level guard		
12	808175	1	* Lamp socket		
13	19923	1	* Bulb		12V, 2W
14	967583	1	* Retainer		
15	829714	1	* Sealing ring		
16	838455	1	* Retainer		
17	(3825092)	1	* Symbol strip		Obsolete part
18	873765	1	* Relay		
19		X	* cables and terminals	1963	
20	942700	X	Hose		
21	952970	X	Hose		

D2-75A, D2-75B, D2-75C, D2-75F

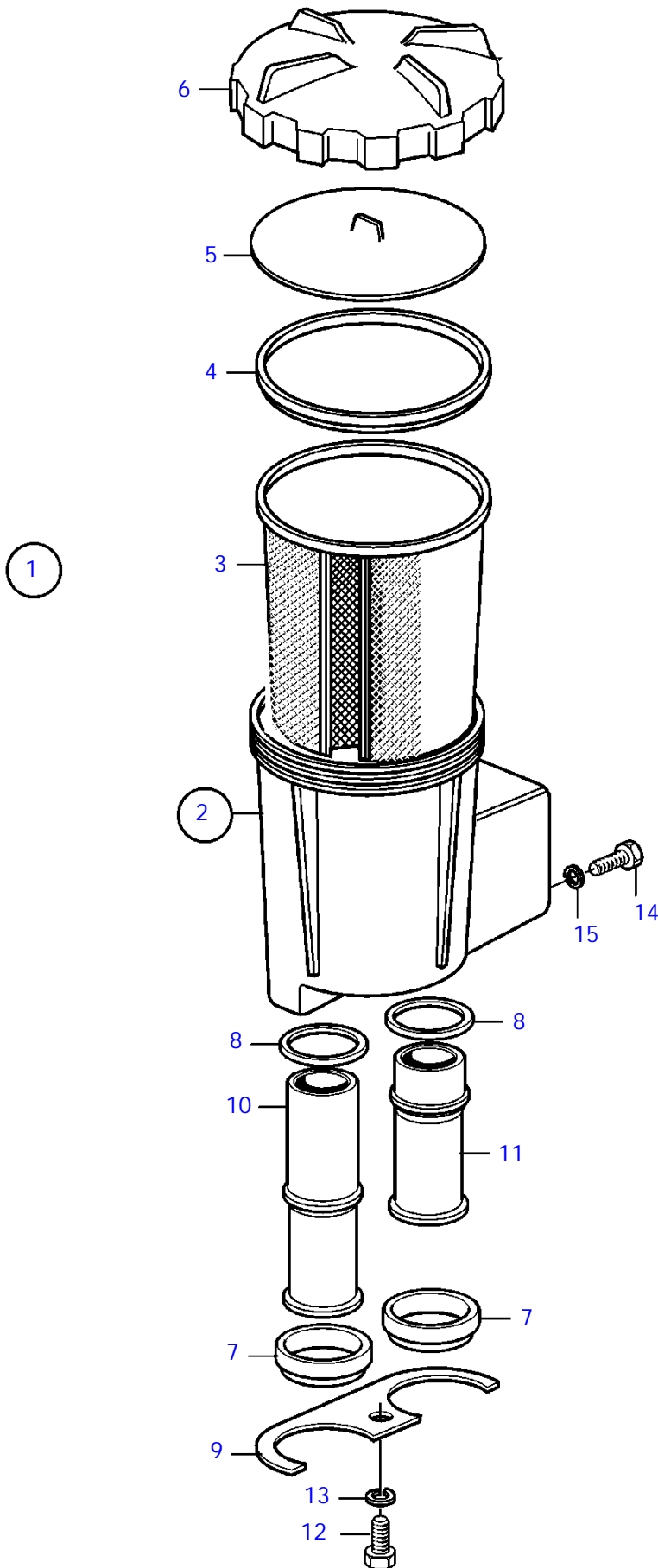


9574

D2-75A, D2-75B, D2-75C, D2-75F

REF	PART NO.	QTY	DESCRIPTION	NOTES
1	861496	1	Coolant pipe	19mm / 0.77"
2	836876	1	• Strainer	
3	836879	1	• Nut	
4	1140125	1	• Ball valve	D=25mm
5	861466	1	• Hose attachment	45°
6	961667	2	• Hose clamp	
7	952970	X	Hose	

D2-75A, D2-75B, D2-75C, D2-75F

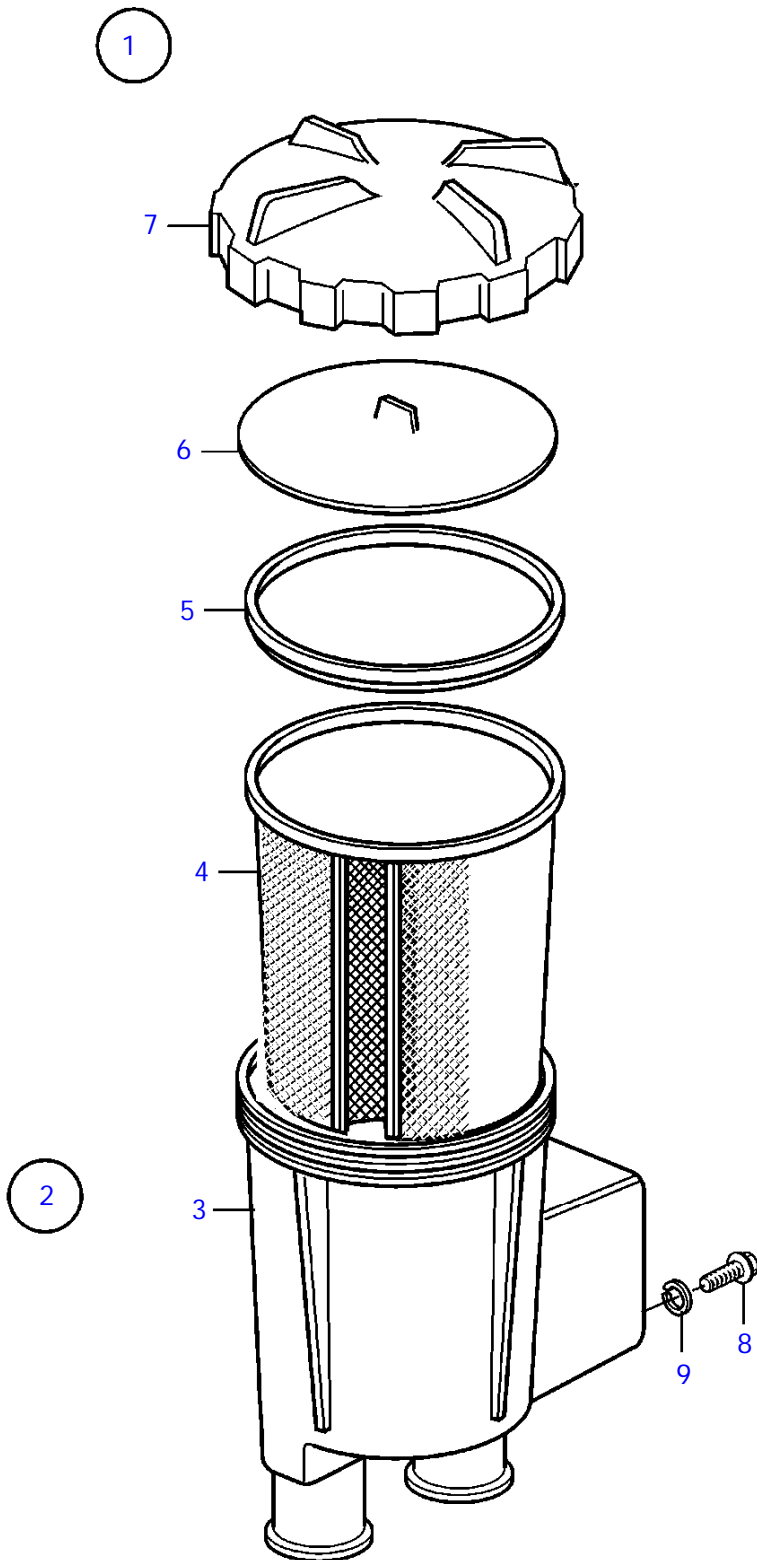


18976

D2-75A, D2-75B, D2-75C, D2-75F

REF	PART NO.	QTY	DESCRIPTION	NOTES
1	21219685	1	Sea water filter	
2	842924	1	* Strainer	
3	842723	1	* * Strainer	
4	842724	1	* * Sealing	
5	842982	1	* * Pressure plate	
6	842722	1	* * Cover	
7	847108	2	* Pipe retainer	
8	858986	2	* Sealing ring	
9	21211745	1	* Retainer	
10	3888859	1	* Connection pipe	Inlet
11	21147599	1	* Connection pipe	Outlet
12	955270	1	* Hexagon screw	
13	941906	1	* Spring washer	
14	965215	4	* Flange screw	(955296)
15	941907	4	* Spring washer	

D2-75A, D2-75B, D2-75C, D2-75F

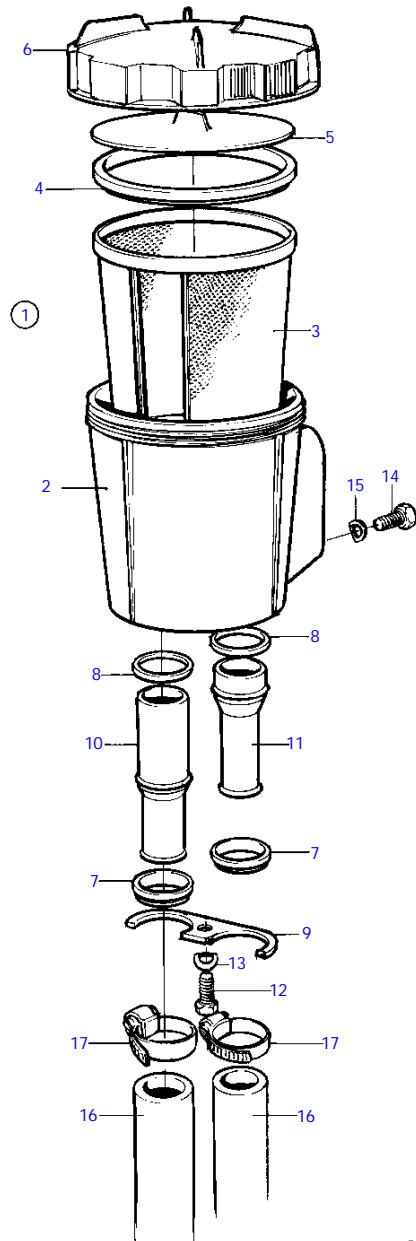


18977

D2-75A, D2-75B, D2-75C, D2-75F

REF	PART NO.	QTY	DESCRIPTION
1	3583840	1	Sea water filter
2	860631	1	• Sea water filter
3		1	• • Strainer housing
4	860687	1	• • Strainer
5	842724	1	• • Sealing
6	842982	1	• • Pressure plate
7	842722	1	• • Cover
8	965215	4	• Flange screw
9	941907	4	• Spring washer

D2-75A, D2-75B, D2-75C, D2-75F

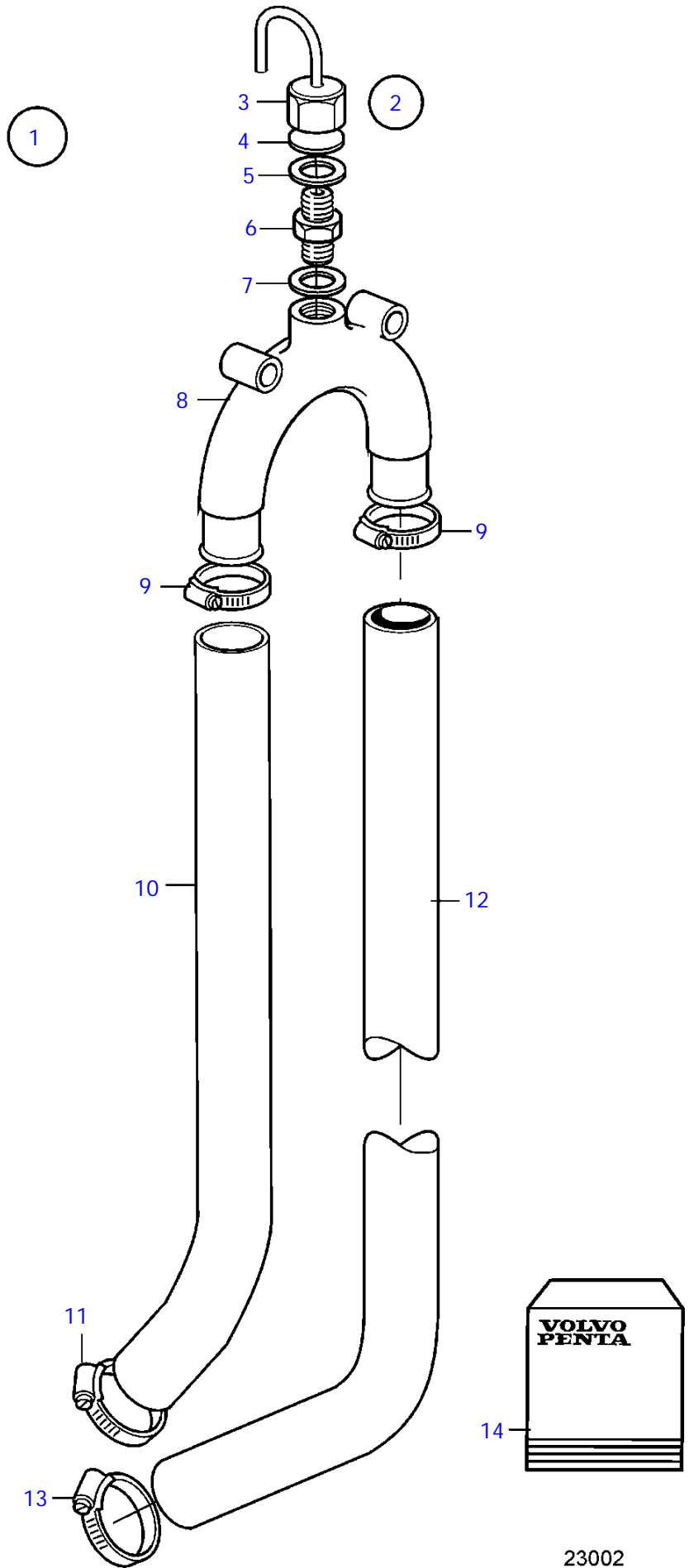


15065

D2-75A, D2-75B, D2-75C, D2-75F

REF	PART NO.	QTY	DESCRIPTION	NOTES
1	21219693	1	Sea water filter	
2	842924	1	* Strainer	
3	842723	1	* * Strainer	
4	842724	1	* * Sealing	
5	842982	1	* * Pressure plate	
6	842722	1	* * Cover	
7	847108	2	* Pipe retainer	
8	858986	2	* Sealing ring	
9	21211745	1	* Retainer	
10	3888859	1	* Connection pipe	Inlet
11	3888862	1	* Connection pipe	Outlet
12	955270	1	* Hexagon screw	
13	941906	1	* Spring washer	
14	965215	4	* Flange screw	(955296)
15	941907	4	* Spring washer	
16	952970	X	Hose	
17	961666	X	Hose clamp	

D2-75A, D2-75B, D2-75C, D2-75F

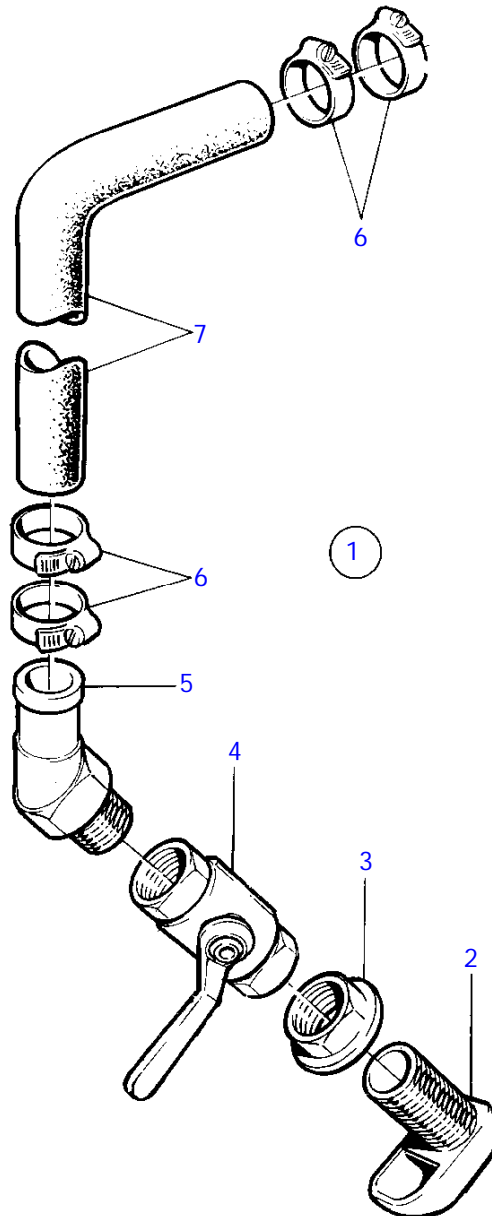


23002

D2-75A, D2-75B, D2-75C, D2-75F

REF	PART NO.	QTY	DESCRIPTION	NOTES
1	3843297	1	Vacuum valve kit	
2	828534	1	• Vacuum valve	
3	828533	1	• • Upper section	
4		2	• • Diaphragm	Included in overhaul kit.
5	828424	2	• • Gasket	Included in overhaul kit.
6	828266	1	• • Lower section	
7	947282	2	• • Gasket	Included in overhaul kit.
8	828501	1	• Branch pipe	
9	853548	2	• Hose clamp	
10		1	Hose	Not included in vacuum valve kit. Use existing hose from engine.
11		1	Hose clamp	Not included in vacuum valve kit. Use existing hose clamps from engine.
12		1	Hose	Not included in vacuum valve kit. Use existing hose from engine.
13		1	Hose clamp	Not included in vacuum valve kit. Use existing hose clamps from engine.
14	3818424	1	Repair kit	

D2-75A, D2-75B, D2-75C, D2-75F

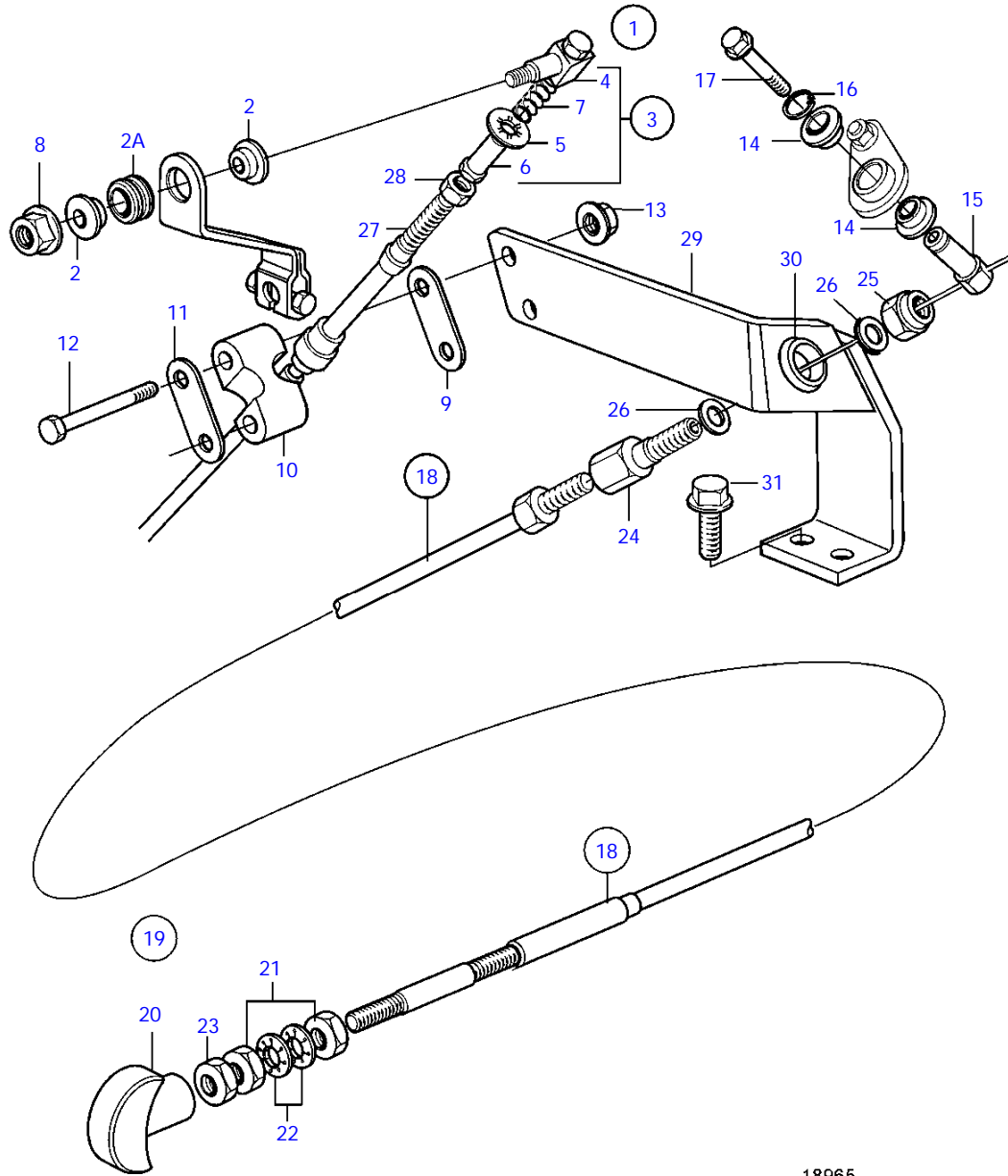


9574

D2-75A, D2-75B, D2-75C, D2-75F

REF	PART NO.	QTY	DESCRIPTION	NOTES
1	1140129	1	Cooling water inlet	
2	836876	1	• Strainer	
3	836879	1	• Nut	
4	1140125	1	• Ball valve	D=25mm
5	828696	1	• Hose attachment	45°
6	961670	2	• Hose clamp	
7	1140664	X	Exhaust hose	

D2-75A, D2-75B, D2-75C

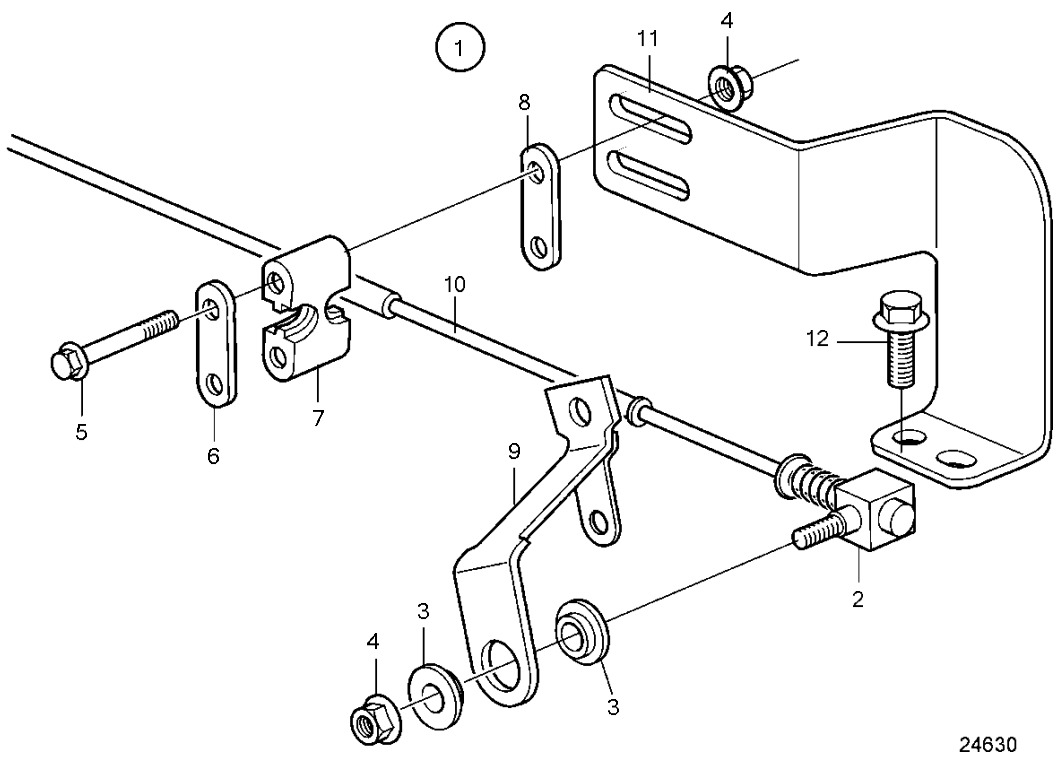


18965

D2-75A, D2-75B, D2-75C

REF	PART NO.	QTY	DESCRIPTION	SEE SEC.	NOTES
1		1	Connector kit		
2	843105	2	* Spacer washer		
2A	843109	1	* Bushing		
3	840692	1	* Cube		
4	840669	1	* • Cube		
5	968766	1	* • Retainer		
6	814083	1	* • Adjusting nut		
7	814086	1	* • Spring		
8	949874	1	* Flange lock nut		(946577)
9	872076	1	* Washer		
10	872074	1	* Retainer		
11	819068	1	* Washer		
12	969439	2	* 6 point socket screw		
13	949874	2	* Flange lock nut		(946577)
14	843105	2	* Spacer washer		
15	861479	1	* Cable clamp		
16	951669	1	* E-clip		
17	969556	1	* 6 point socket screw		
18	21272376	1	Stop cable		L=3,3m
			* Bulletin P-27-6-2	P-27-6-2-EN	End of Production - Stop Cables
18	21272378	1	Stop cable		L=6,9m
			* Bulletin P-27-6-2	P-27-6-2-EN	End of Production - Stop Cables
19	(818478)	1	* Push pull control		Obsolete part, For L=3,3m
	(818470)	1	* Push pull control		Obsolete part, For L=6,9m
20	(829241)	1	* • Handle		Obsolete part
21	955857	2	* • Hexagon nut		
22	955950	2	* • Toothed washer		
23	955844	1	* • Hexagon nut		
24	829070	1	* Cable lock		
25	945467	1	* Lock nut		(950353)
26	955894	2	* Washer		
27		1	Control cable	231	
28		1	* Nut		
29	3583791	1	Anchorage		
30	843109	1	Bushing		
31	946173	2	Flange screw		(861849)

D2-75F

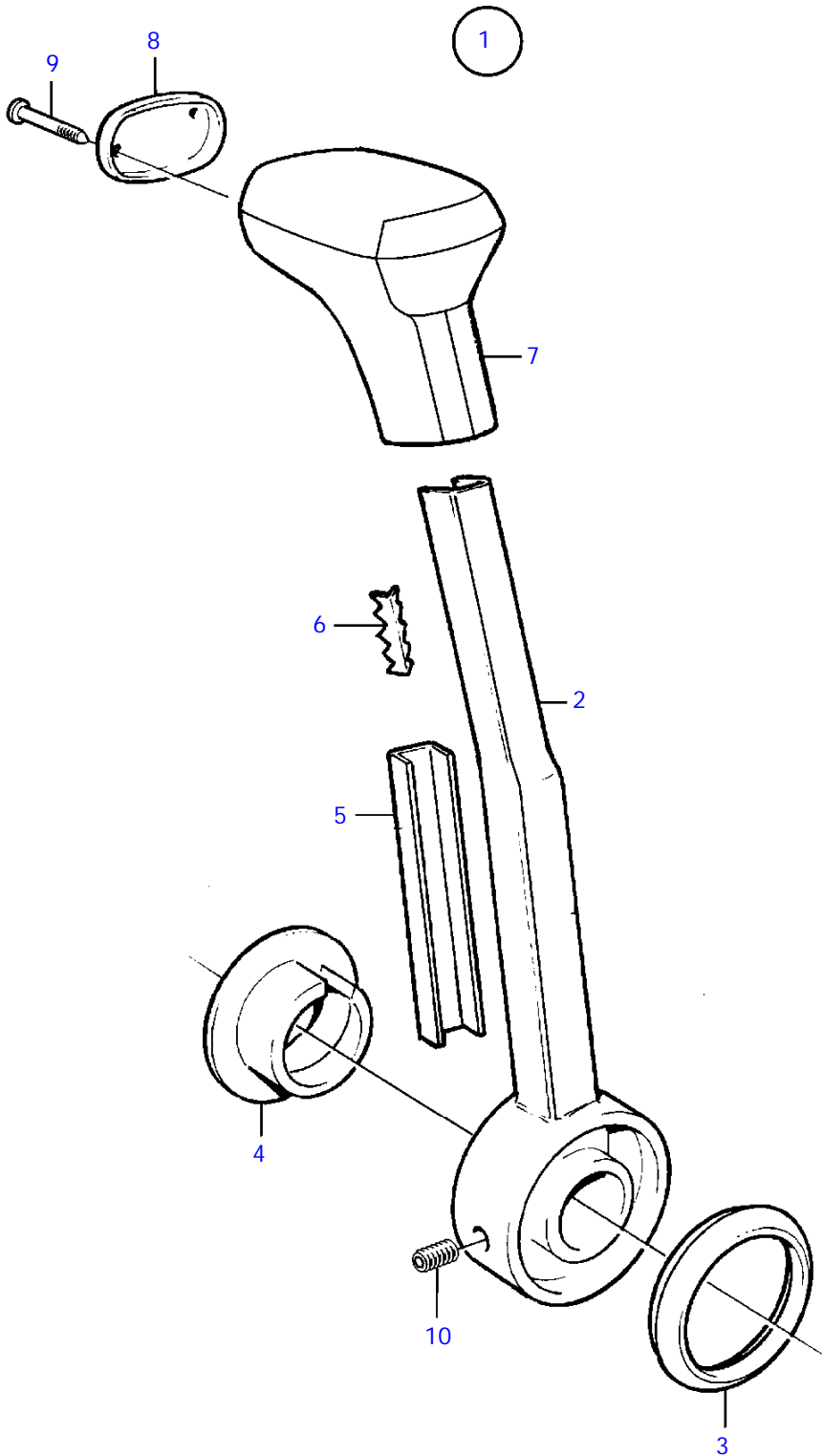


24630

D2-75F

REF	PART NO.	QTY	DESCRIPTION	SEE SEC.
1	3841287	1	Connector kit	
2	840692	1	* Cube	
3	843105	2	* Spacer washer	
4	949874	3	* Flange lock nut	
5	969439	2	* 6 point socket screw	
6	819068	1	* Washer	
7	872074	1	* Retainer	
8	872076	1	* Washer	
9	21187771		Intermediate lever	
10		1	Control cable	231
11	21138262	1	Support arm	
12	946440	2	Flange screw	

D2-75A, D2-75B, D2-75C, D2-75F

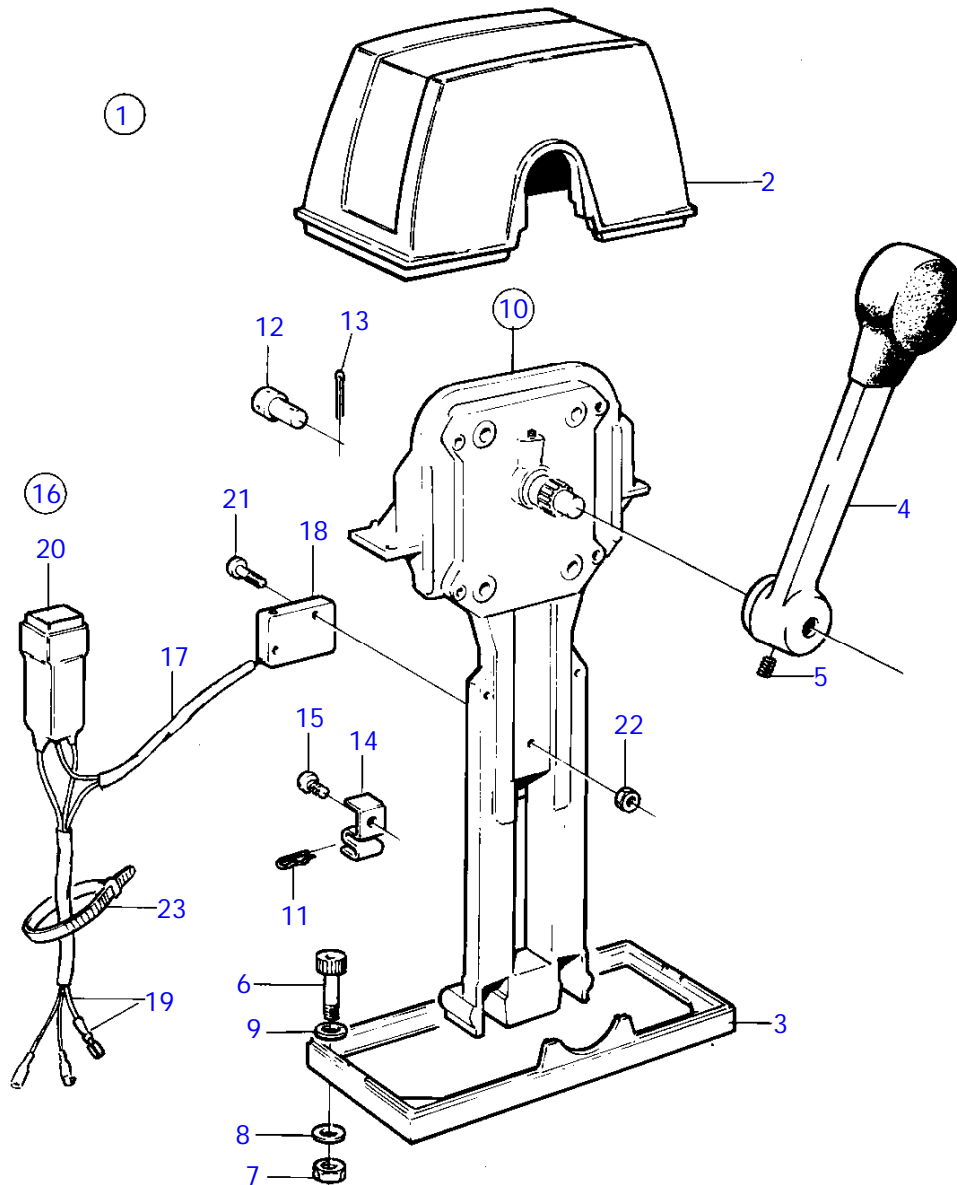


18645

D2-75A, D2-75B, D2-75C, D2-75F

REF	PART NO.	QTY	DESCRIPTION	NOTES
1	852347	1	Hand lever	
2	828911	1	* Hand lever	
3	852995	1	* Ring	
4	853004	1	* Push button	
5	852991	1	* Rail	
6	853000	1	* Striker plate	
7	852989	1	* Handle	
8	3818554	1	* Cardboard tube	(852992)
9	853003	2	* Nail	
10	963678	1	* Hex. socket screw	

D2-75A, D2-75B, D2-75C, D2-75F

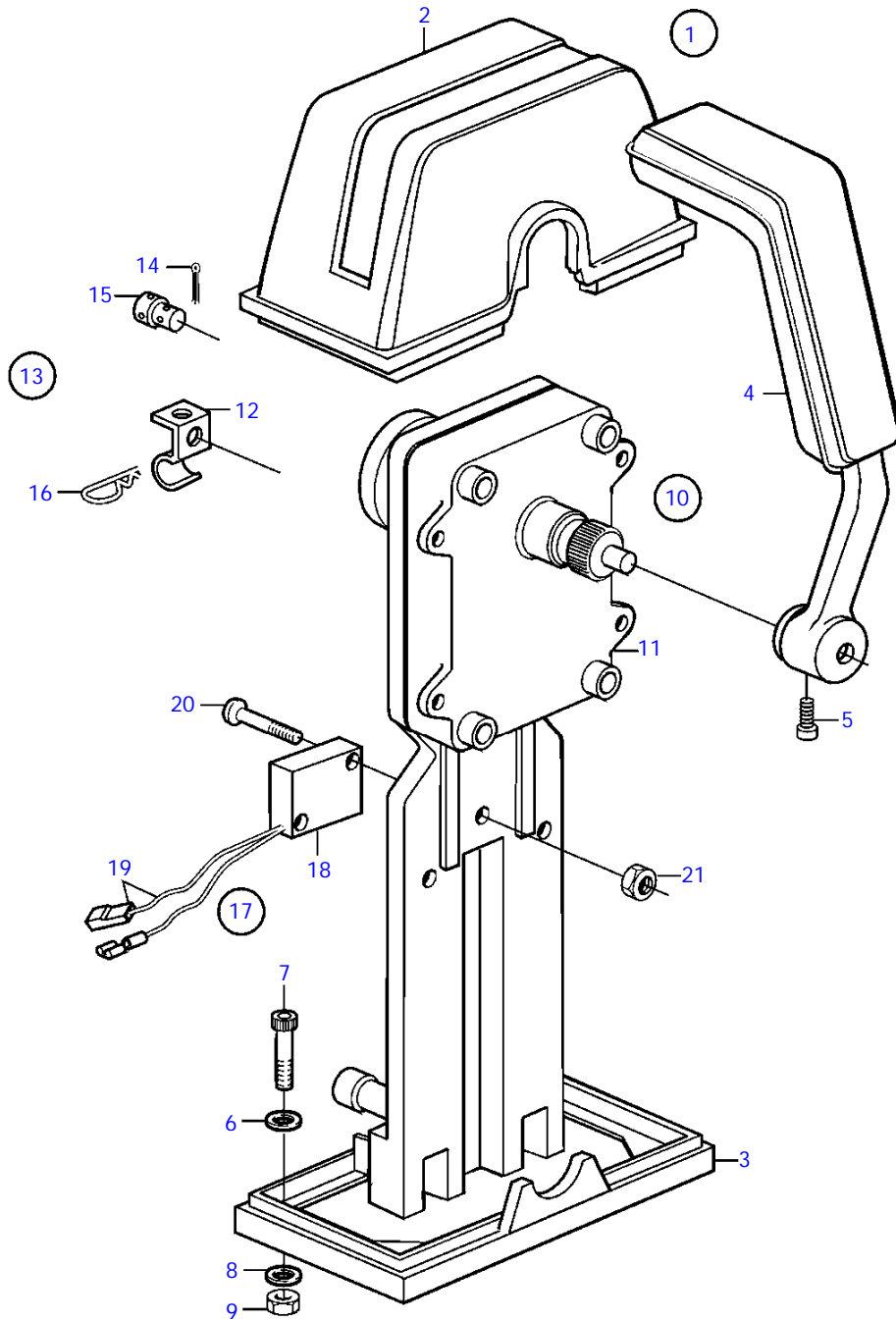


8862

D2-75A, D2-75B, D2-75C, D2-75F

REF	PART NO.	QTY	DESCRIPTION	SEE SEC.	NOTES
1	1140022	1	Mounting kit		
2	850823	1	* Cover		
3	839474	1	* Plate		
4	839521	1	* Hand lever		
5	839693	1	* Lock screw		
6	947671	4	* Hex. socket screw		
7	955780	4	* Hexagon nut		
8	960138	4	* Washer		
9	940090	2	* Washer		
10	851600	1	Control		
11	852924	1	* Clip		
12	839638	2	* Cube		
13	17253	2	* Split pin		
14	853423	1	* Retainer		
15	839664	1	* Screw		
16	855352	1	Neutral position con		
17	(839619)	1	* Cable kit		Obsolete part
18	850200	1	* • Toggle switch		
19		X	* • cables and terminals	1963	
20	876037	1	* Relay kit		
21	946177	2	* Cross recessed screw		
22	947536	2	* Hexagon nut		
23	948211	X	* Cable tie		

D2-75A, D2-75B, D2-75C, D2-75F

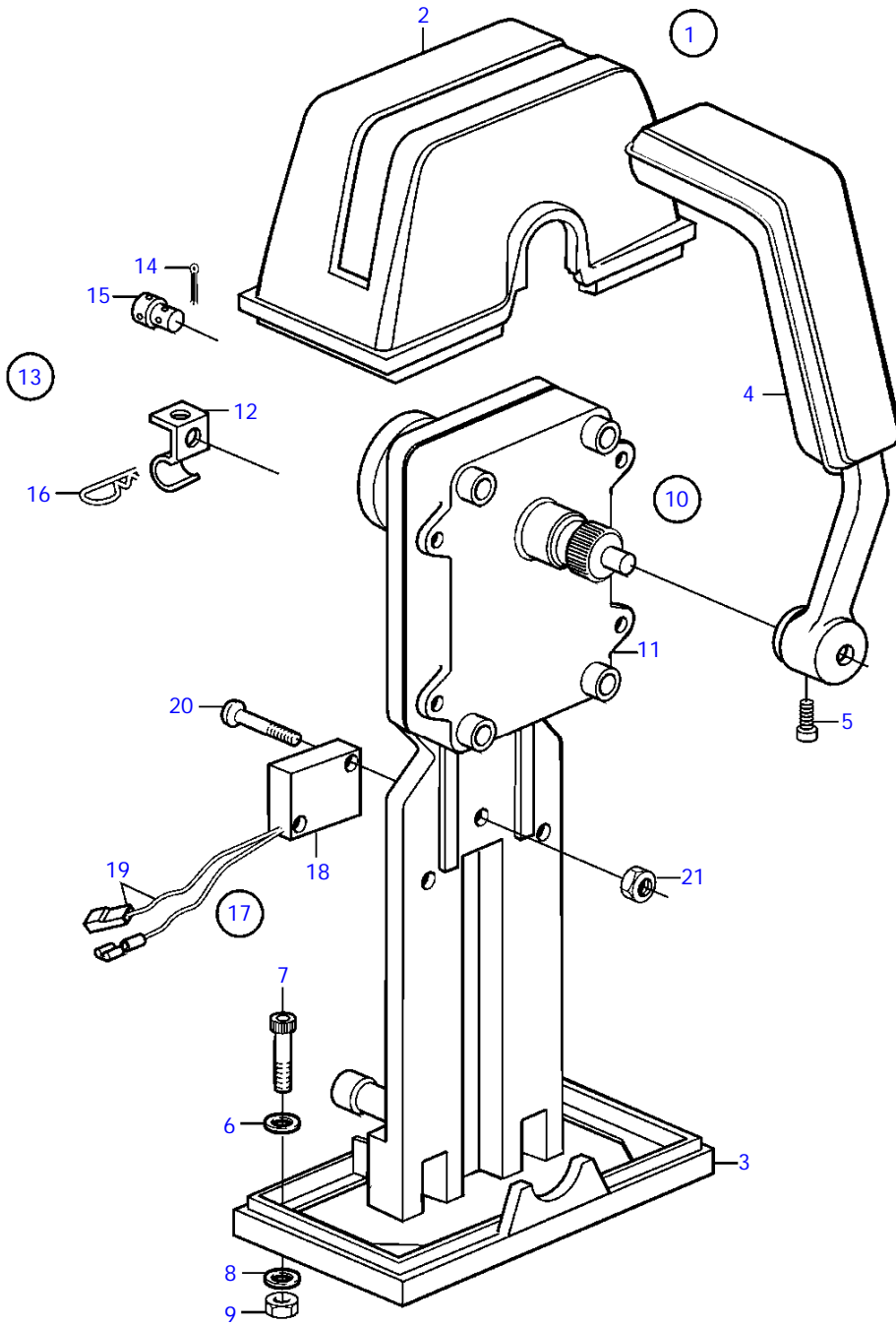


18507

D2-75A, D2-75B, D2-75C, D2-75F

REF	PART NO.	QTY	DESCRIPTION	SEE SEC.	NOTES
1	851602	1	Mounting kit		
2	850823	1	* Cover		(839472)
3	839474	1	* Plate		
4	839475	1	* Hand lever		
5	839693	1	* Lock screw		
6	940090	2	* Washer		
7	947671	4	* Hex. socket screw		
8	960138	4	* Washer		
9	955780	4	* Hexagon nut		
10	851600	1	Control		
11	(851666)	1	* Control mechanism		Obsolete part
12	853423	1	* Retainer		
13	(851712)	1	* Connector kit		Obsolete part
14	17253	2	* * Split pin		
15	839638	2	* * Cube		
16	852924	1	* * Clip		
17	855352	1	Neutral position con		
18	850200	1	* Toggle switch		
19		X	* * cables and terminals	1963	
20	946177	2	* Cross recessed screw		
21	947536	2	* Hexagon nut		

D2-75A, D2-75B, D2-75C, D2-75F

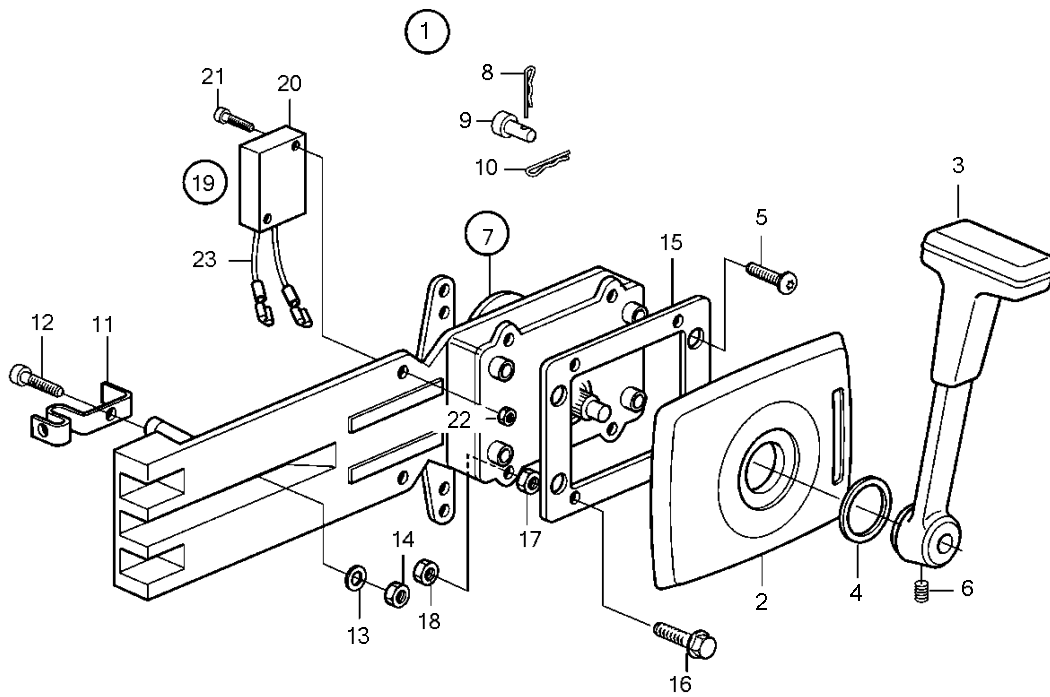


18507

D2-75A, D2-75B, D2-75C, D2-75F

REF	PART NO.	QTY	DESCRIPTION	SEE SEC.	NOTES
1	851603	1	Mounting kit		
2	850824	1	* Cover		(839477)
3	839479	1	* Plate		
4	839475	2	* Hand lever		
5	839693	2	* Lock screw		
6	940090	2	* Washer		
7	947671	6	* Hex. socket screw		
8	960138	6	* Washer		
9	955780	6	* Hexagon nut		
10	851600	2	Control		
11	(851666)	2	* Control mechanism		Obsolete part
12	853423	2	* Retainer		
13	(851712)	2	* Connector kit		Obsolete part
14	17253	4	* * Split pin		
15	839638	4	* * Cube		
16	852924	2	* * Clip		
17	855352	2	Neutral position con		
18	850200	2	* Toggle switch		
19		X	* * cables and terminals	1963	
20	946177	4	* Cross recessed screw		
21	947536	4	* Hexagon nut		

D2-75A, D2-75B, D2-75C, D2-75F

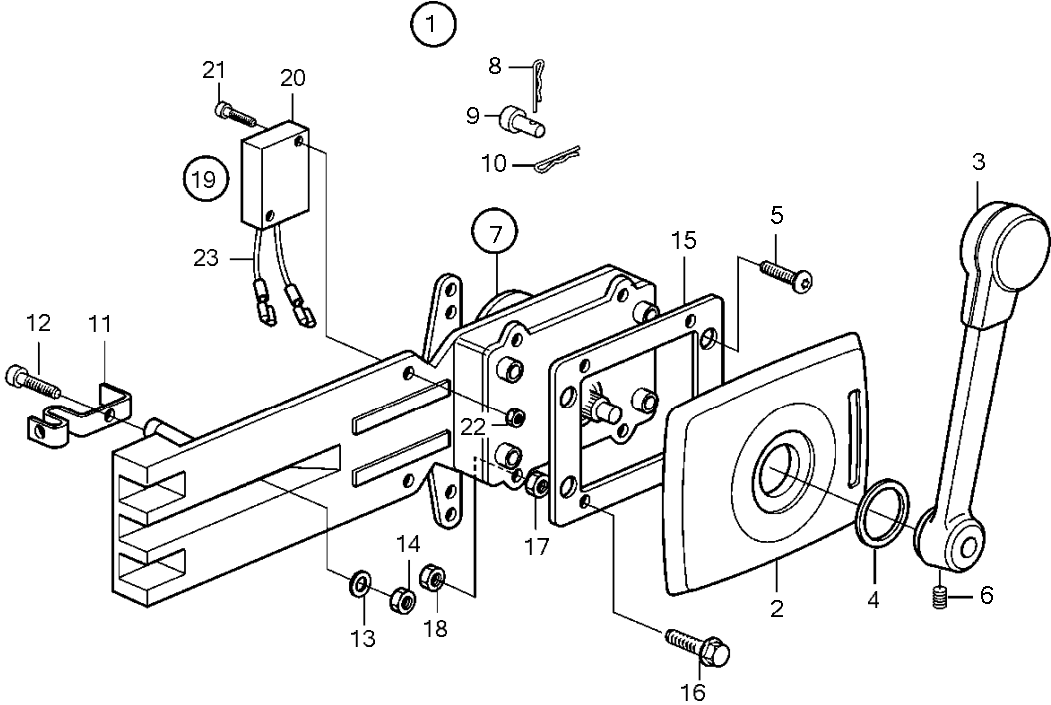


22853

D2-75A, D2-75B, D2-75C, D2-75F

REF	PART NO.	QTY	DESCRIPTION	SEE SEC.
1	1140092	1	Mounting kit	
2	853713	1	* Cover	
3	839520	1	* Hand lever	
4	1140094	1	* Washer	
5	961330	4	* Cross recessed screw	
6	839693	1	* Lock screw	
7	1140095	1	Control mechanism	
8	17253	2	* Split pin	
9	839638	2	* Cube	
10	852924	1	* Clip	
11	853423	1	* Retainer	
12	839664	1	* Screw	
13	940275	1	* Washer	
14	946435	1	* Lock nut	
15		1	* Attaching plate	
16	963548	4	* Hexagon screw	
17		4	* Nut	
18	946435	4	* Lock nut	
19	855352	1	Neutral position con	
20	850200	1	* Toggle switch	
21	946177	2	* Cross recessed screw	
22	947536	2	* Hexagon nut	
23		X	* cables and terminals	1963

D2-75A, D2-75B, D2-75C, D2-75F

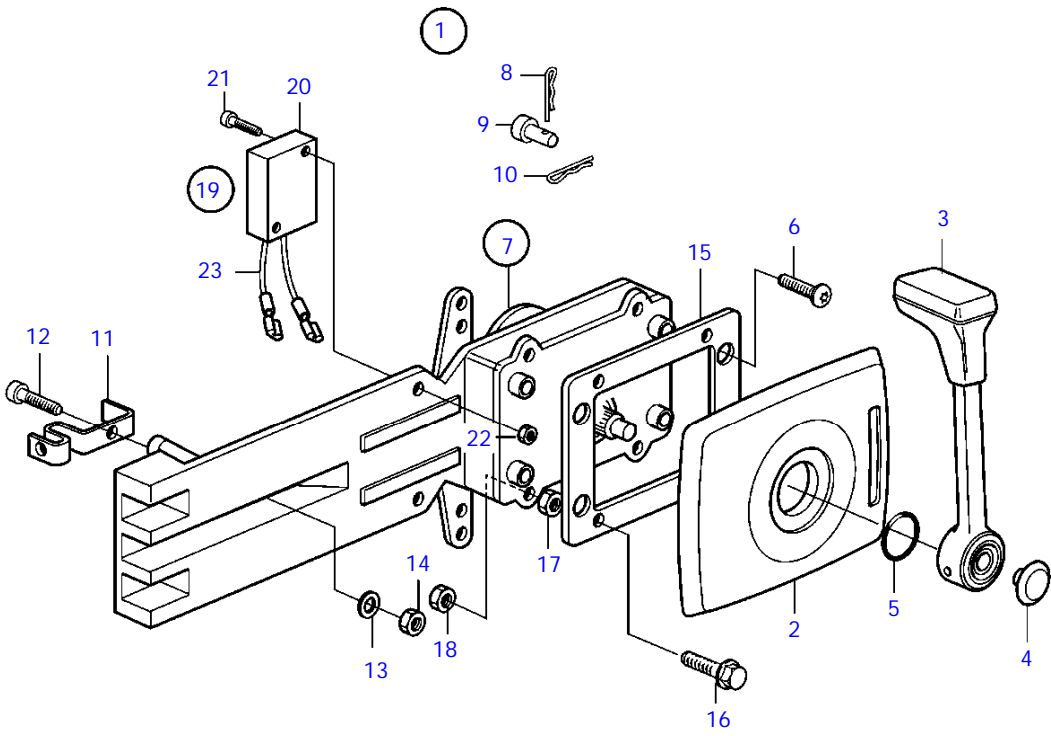


22854

D2-75A, D2-75B, D2-75C, D2-75F

REF	PART NO.	QTY	DESCRIPTION	SEE SEC.
1	1140093	1	Mounting kit	
2	853713	1	* Cover	
3	839521	1	* Hand lever	
4	1140094	1	* Washer	
5	961330	4	* Cross recessed screw	
6	839693	1	* Lock screw	
7	1140095	1	Control mechanism	
8	17253	2	* Split pin	
9	839638	2	* Cube	
10	852924	1	* Clip	
11	853423	1	* Retainer	
12	839664	1	* Screw	
13	940275	1	* Washer	
14	946435	1	* Lock nut	
15		1	* Attaching plate	
16	963548	4	* Hexagon screw	
17		4	* Nut	
18	946435	4	* Lock nut	
19	855352	1	Neutral position con	
20	850200	1	* Toggle switch	
21	946177	2	* Cross recessed screw	
22	947536	2	* Hexagon nut	
23		X	* cables and terminals	1963

D2-75A, D2-75B, D2-75C, D2-75F

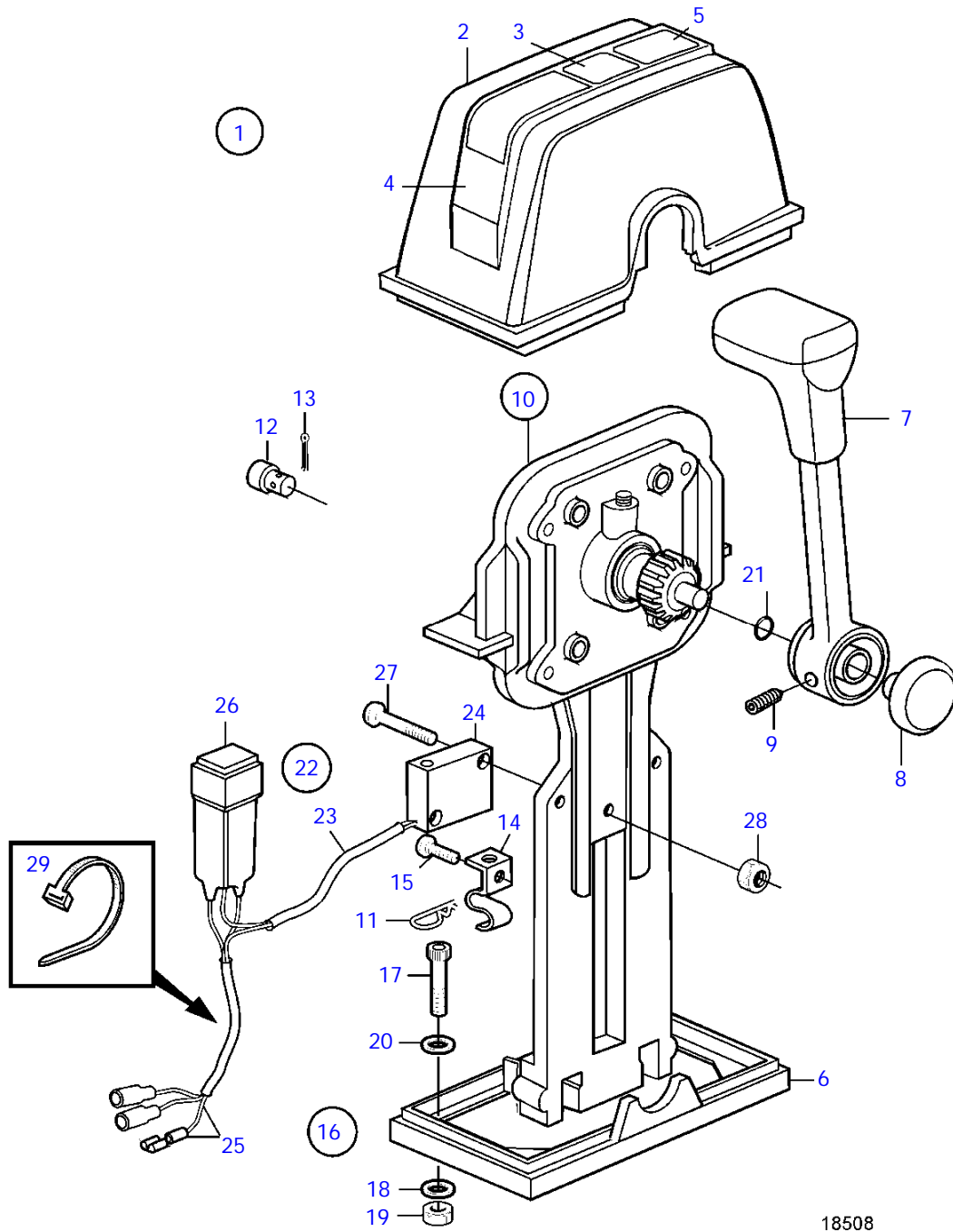


22852

D2-75A, D2-75B, D2-75C, D2-75F

REF	PART NO.	QTY	DESCRIPTION	SEE SEC.
1	1140090	1	Mounting kit	
2	853713	1	* Cover	
3	852347	1	* Hand lever	
			* *	
			*	266
4	853004	1	* Push button	
5	925058	1	* O-ring	
6	961330	4	* Cross recessed screw	
7	1140095	1	Control mechanism	
8	17253	2	* Split pin	
9	839638	2	* Cube	
10	852924	1	* Clip	
11	853423	1	* Retainer	
12	839664	1	* Screw	
13	940275	1	* Washer	
14	946435	1	* Lock nut	
15		1	* Attaching plate	
16	963548	4	* Hexagon screw	
17		4	* Nut	
18	946435	4	* Lock nut	
19	855352	1	Neutral position con	
20	850200	1	* Toggle switch	
21	946177	2	* Cross recessed screw	
22	947536	2	* Hexagon nut	
23		X	* cables and terminals	1963

D2-75A, D2-75B, D2-75C, D2-75F

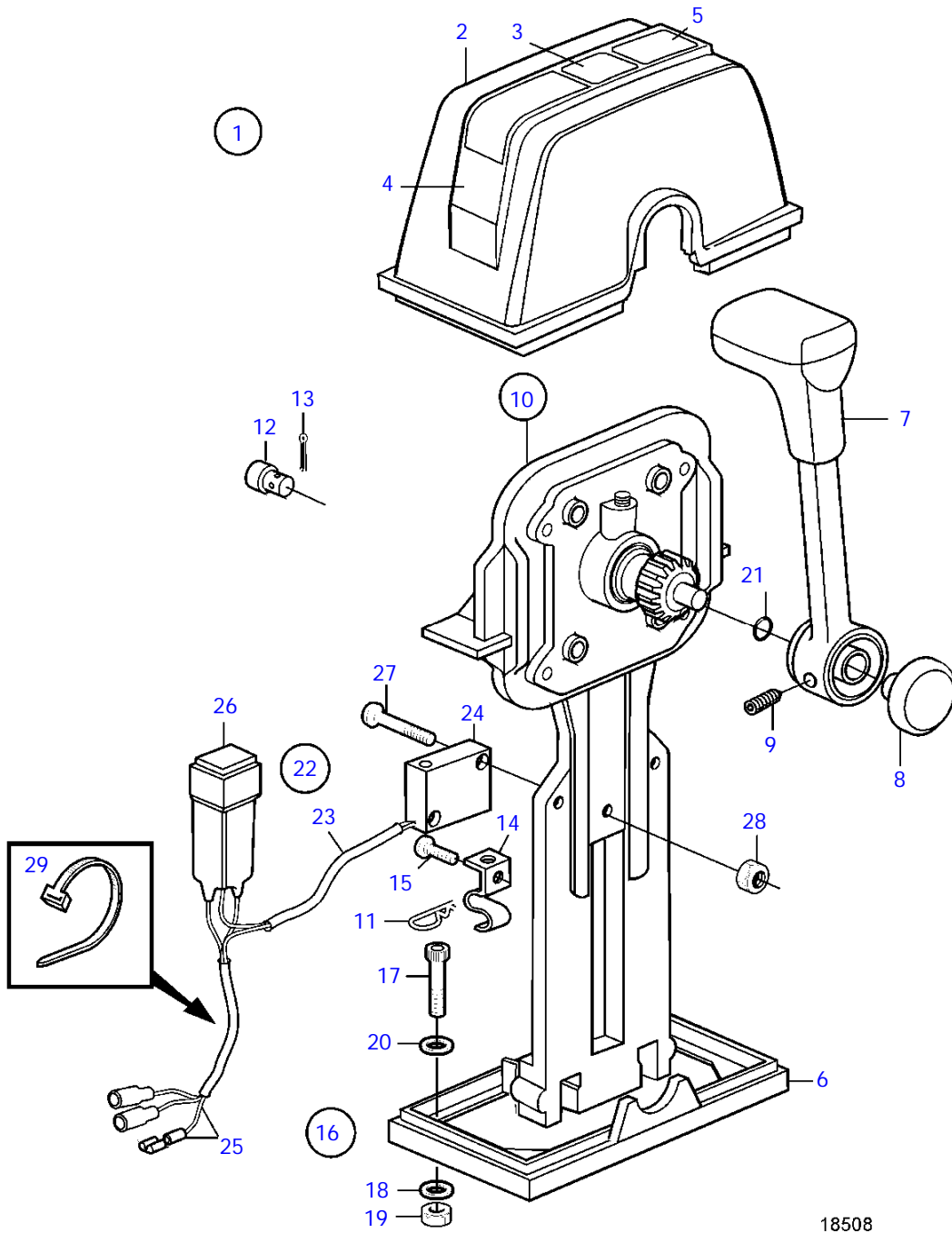


18508

D2-75A, D2-75B, D2-75C, D2-75F

REF	PART NO.	QTY	DESCRIPTION	SEE SEC.	NOTES
1	853168	1	Mounting kit		For single installation.
2	1140046	1	* Cover		
3	851896	2	* * Decal		
4	(851892)	1	* * Crossbar		Obsolete part
5		1	* * Decal		
6	839474	1	* * Plate		
7	852347	1	* Hand lever		
			* *		
			*	266	
8		1	* * Push button		Included in complete handle.
9		1	* * Screw		Included in complete handle.
10	851600	1	Control		
11	852924	1	* Clip		
12	839638	1	* Cube		
13	17253	1	* Split pin		
14	853423	1	* Retainer		
15	839664	1	* Screw		
16		1	* Screw kit		
17	947671	4	* * Hex. socket screw		
18	960138	4	* * Washer		
19	955780	4	* * Hexagon nut		
20	940090	4	* * Washer		
21	925058	1	* O-ring		
22	855352	1	Neutral position con		
23	(839619)	1	* Cable kit		Obsolete part
24	850200	1	* * Toggle switch		
25		X	* * cables and terminals	1963	
26	876037	1	* Relay kit		
27	946177	2	* Cross recessed screw		
28	947536	2	* Hexagon nut		
29	948211	X	* Cable tie		

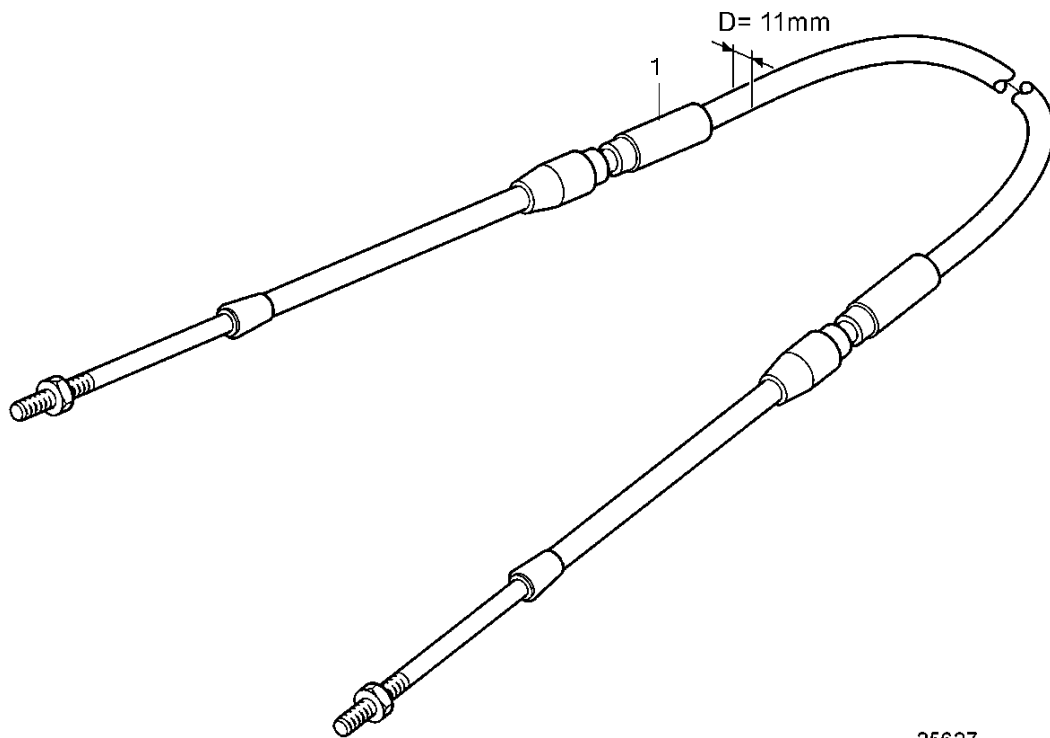
D2-75A, D2-75B, D2-75C, D2-75F



D2-75A, D2-75B, D2-75C, D2-75F

REF	PART NO.	QTY	DESCRIPTION	SEE SEC.	NOTES
1	853169	1	Mounting kit		For twin installation.
2	851881	1	* Cover		
3	(851895)	2	* * Decal		Obsolete part
4		1	* * Crossbar		
5	851897	1	* * Decal		
6	839479	1	* * Plate		
7	852347	2	* Hand lever		
			* *		
			*	266	
8		2	* * Push button		Included in complete handle.
9		2	* * Screw		Included in complete handle.
10	851600	2	Control		
11	852924	2	* Clip		
12	839638	2	* Cube		
13	17253	2	* Split pin		
14	853423	2	* Retainer		
15	839664	2	* Screw		
16		1	* Screw kit		
17	947671	4	* * Hex. socket screw		
18	960138	4	* * Washer		
19	955780	4	* * Hexagon nut		
20	940090	4	* * Washer		
21	925058	2	* O-ring		
22	855352	2	Neutral position con		
23	(839619)	2	* Cable kit		Obsolete part
24	850200	2	* * Toggle switch		
25		X	* * cables and terminals	1963	
26	876037	2	* Relay kit		
27	946177	4	* Cross recessed screw		
28	947536	4	* Hexagon nut		
29	948211	X	* Cable tie		

D2-75A, D2-75B, D2-75C, D2-75F

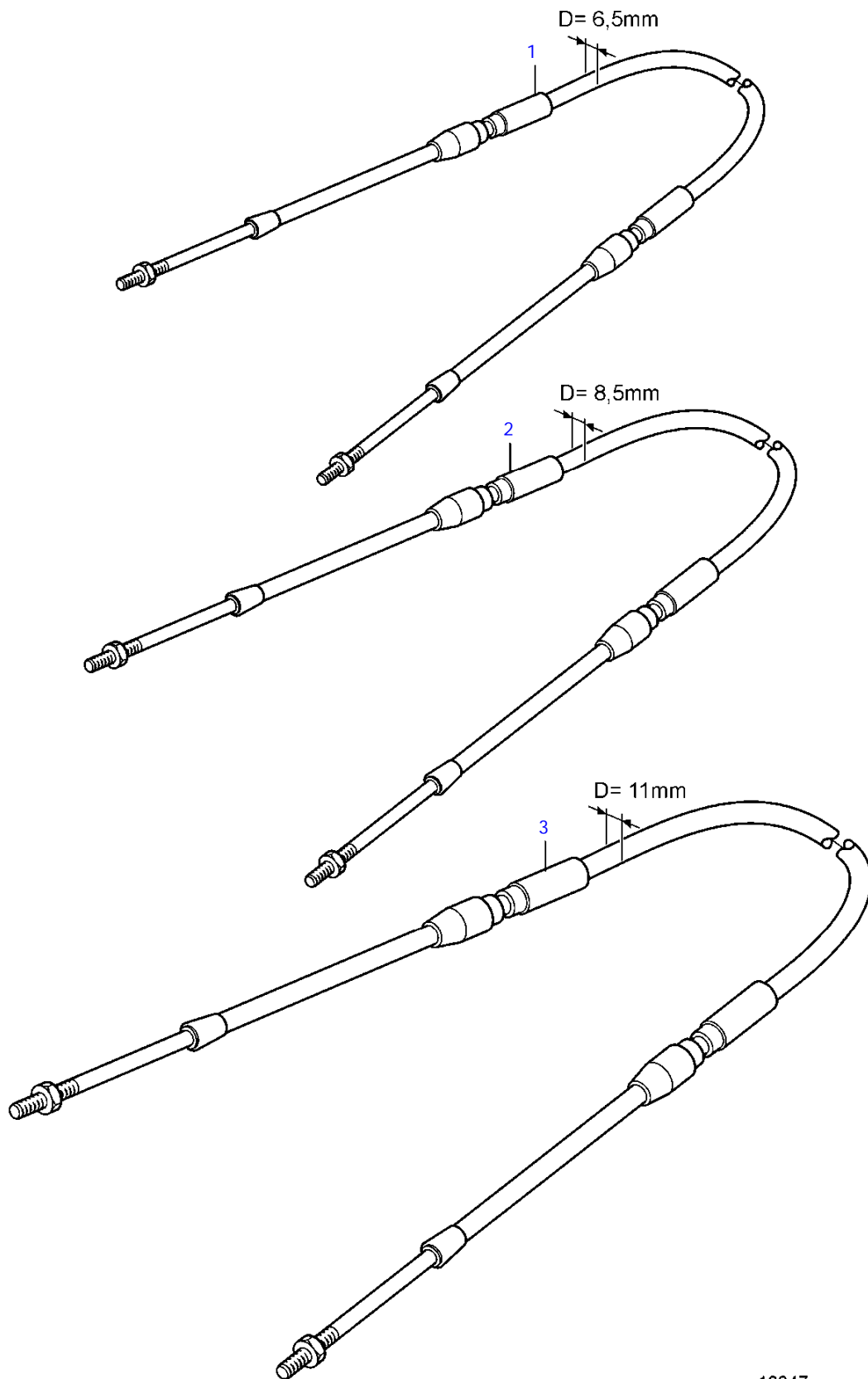


25627

D2-75A, D2-75B, D2-75C, D2-75F

REF	PART NO.	QTY	DESCRIPTION	NOTES
1	21633515	1	Control cable	44ft, L=13.40m
	21633516	1	Control cable	45ft, L=13.70m
	21633517	1	Control cable	46ft, L=14.00m
	21633518	1	Control cable	47ft, L=14.30m
	21633519	1	Control cable	48ft, L=14.60m
	21633520	1	Control cable	49ft, L=14.90m
	21633521	1	Control cable	50ft, L=15.20m

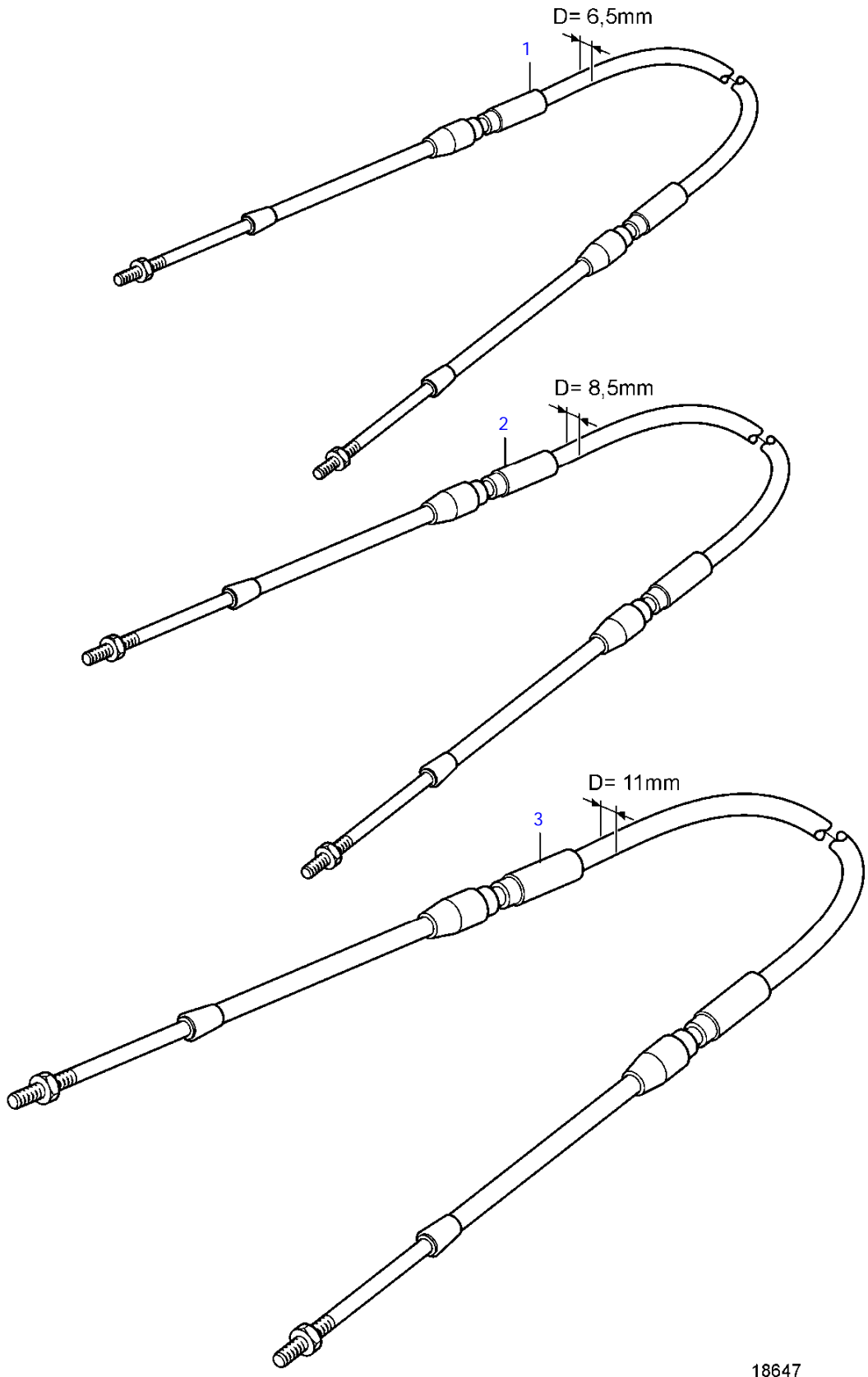
D2-75A, D2-75B, D2-75C, D2-75F



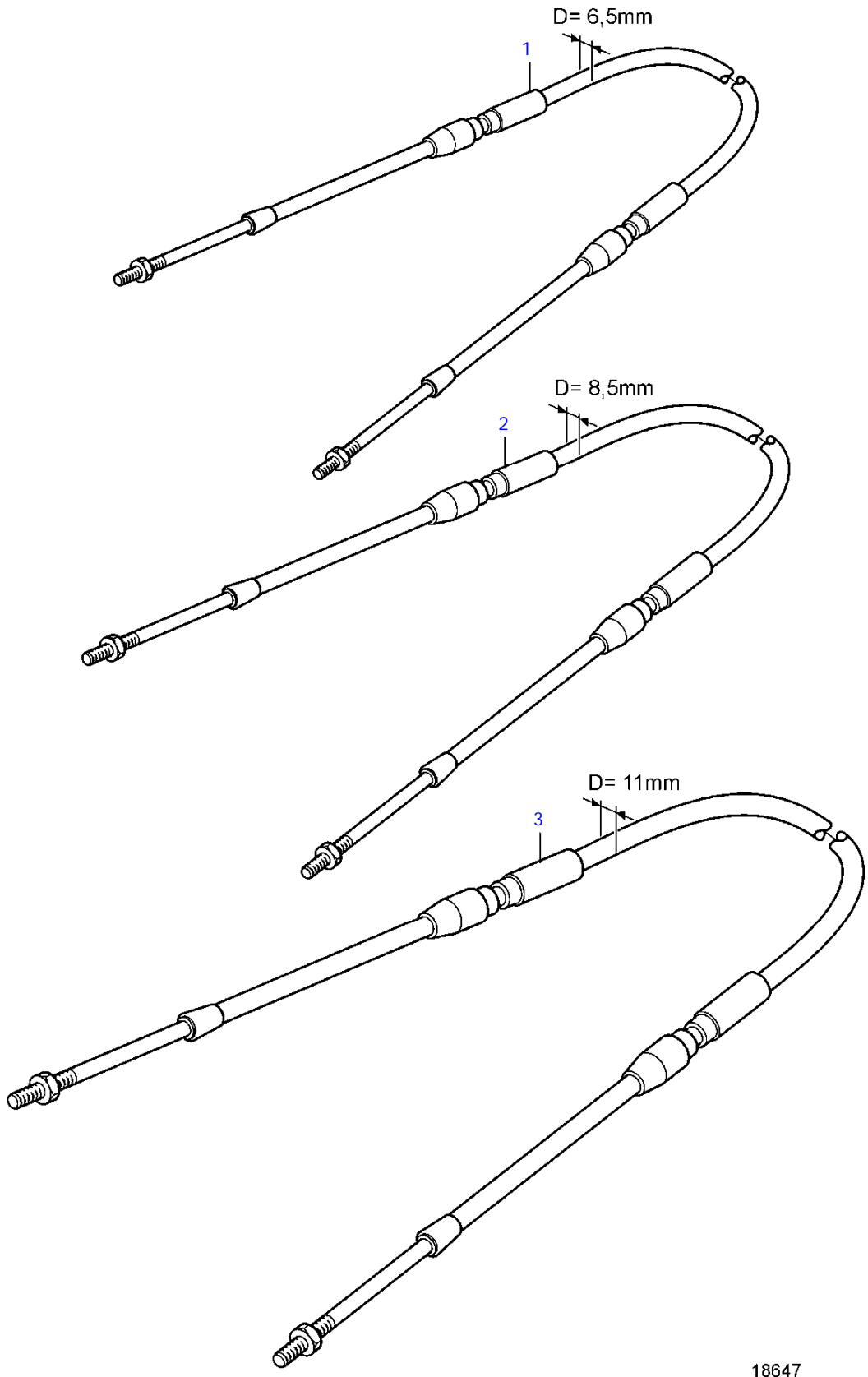
18647

D2-75A, D2-75B, D2-75C, D2-75F

REF	PART NO.	QTY	DESCRIPTION	NOTES
1	1140131	1	Control cable	L=1250mm
	1140132	1	Control cable	L=1500mm
	1140133	1	Control cable	L=1750mm
	(1140134)	1	Control cable	Obsolete part, L=2000mm
	1140135	1	Control cable	L=2250mm
	(1140136)	1	Control cable	Obsolete part, L=2500mm
	(1140137)	1	Control cable	Obsolete part, L=2750mm
	(1140138)	1	Control cable	Obsolete part, L=3000mm
	1140139	1	Control cable	L=3250mm
	1140140	1	Control cable	L=3500mm
	(1140141)	1	Control cable	Obsolete part, L=3750mm
	(1140142)	1	Control cable	Obsolete part, L=4000mm
	(1140143)	1	Control cable	Obsolete part, L=4250mm
	(1140144)	1	Control cable	Obsolete part, L=4500mm
	1140145	1	Control cable	L=4750mm
	(1140146)	1	Control cable	Obsolete part, L=5000mm



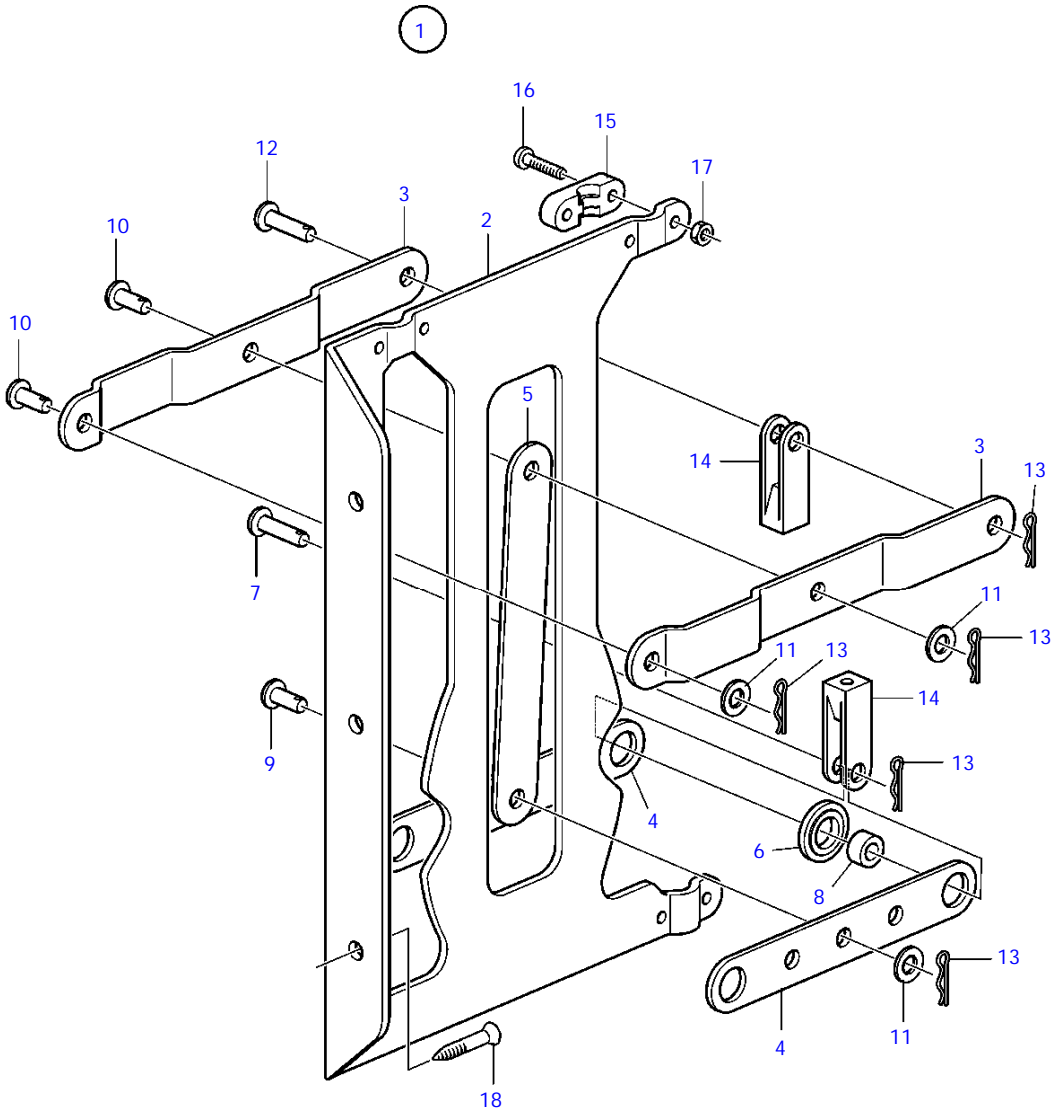
REF	PART NO.	QTY	DESCRIPTION	NOTES
2	1140171	1	Control cable	L=1000mm
	1140172	1	Control cable	L=1250mm
	1140173	1	Control cable	L=1500mm
	1140174	1	Control cable	L=1750mm
	1140175	1	Control cable	L=2000mm
	1140176	1	Control cable	L=2250mm
	1140177	1	Control cable	L=2500mm
	1140178	1	Control cable	L=2750mm
	1140179	1	Control cable	L=3000mm
	1140180	1	Control cable	L=3250mm
	1140181	1	Control cable	L=3500mm
	1140182	1	Control cable	L=3750mm
	1140183	1	Control cable	L=4000mm
	1140184	1	Control cable	L=4250mm
	1140185	1	Control cable	L=4500mm
	1140186	1	Control cable	L=4750mm
	1140187	1	Control cable	L=5000mm
	1140188	1	Control cable	L=5250mm
	1140189	1	Control cable	L=5500mm
	1140190	1	Control cable	L=5750mm
	1140191	1	Control cable	L=6000mm
	1140192	1	Control cable	L=6250mm
	1140193	1	Control cable	L=6500mm
	1140194	1	Control cable	L=6750mm
	1140195	1	Control cable	L=7000mm
	1140196	1	Control cable	L=7250mm
	1140197	1	Control cable	L=7500mm
	1140198	1	Control cable	L=7750mm
	1140199	1	Control cable	L=8000mm
	888081	1	Control cable	L=8250mm
	1140200	1	Control cable	L=8500mm
	888082	1	Control cable	L=8750mm
	1140201	1	Control cable	L=9000mm
	888083	1	Control cable	L=9250mm
	1140202	1	Control cable	L=9500mm
	888084	1	Control cable	L=9750mm
	1140203	1	Control cable	L=10000mm
	888085	1	Control cable	L=10250mm
	1140204	1	Control cable	L=10500mm
	888086	1	Control cable	L=10750mm
	1140205	1	Control cable	L=11000mm
	888087	1	Control cable	L=11250mm
	1140206	1	Control cable	L=11500mm
	888088	1	Control cable	L=11750mm
	1140207	1	Control cable	L=12000mm
	888089	1	Control cable	L=12250mm
	1140208	1	Control cable	L=12500mm
	888090	1	Control cable	L=12750mm
	1140209	1	Control cable	L=13000mm



18647

REF	PART NO.	QTY	DESCRIPTION	NOTES
3	(1140101)	1	Control cable	Obsolete part, L=2000mm
	(1140102)	1	Control cable	Obsolete part, L=2500mm
	1140103	1	Control cable	L=3000mm
	(1140104)	1	Control cable	Obsolete part, L=3500mm
	(1140105)	1	Control cable	Obsolete part, L=4000mm
	1140106	1	Control cable	L=4500mm
	(1140107)	1	Control cable	Obsolete part, L=5000mm
	(1140108)	1	Control cable	Obsolete part, L=5500mm
	(1140109)	1	Control cable	Obsolete part, L=6000mm
	1140110	1	Control cable	L=6500mm
	1140111	1	Control cable	L=7000mm
	(1140112)	1	Control cable	Obsolete part, L=7500mm
	(1140113)	1	Control cable	Obsolete part, L=8000mm
	1140114	1	Control cable	L=8500mm
	1140115	1	Control cable	L=9000mm
	(1140116)	1	Control cable	Obsolete part, L=9500mm
	1140117	1	Control cable	L=10000mm
	1140118	1	Control cable	L=11000mm
	(1140119)	1	Control cable	Obsolete part, L=12000mm
	(1140120)	1	Control cable	Obsolete part, L=13000mm
	1140121	1	Control cable	L=14000mm
	(1140122)	1	Control cable	Obsolete part, L=15000mm

D2-75A, D2-75B, D2-75C, D2-75F

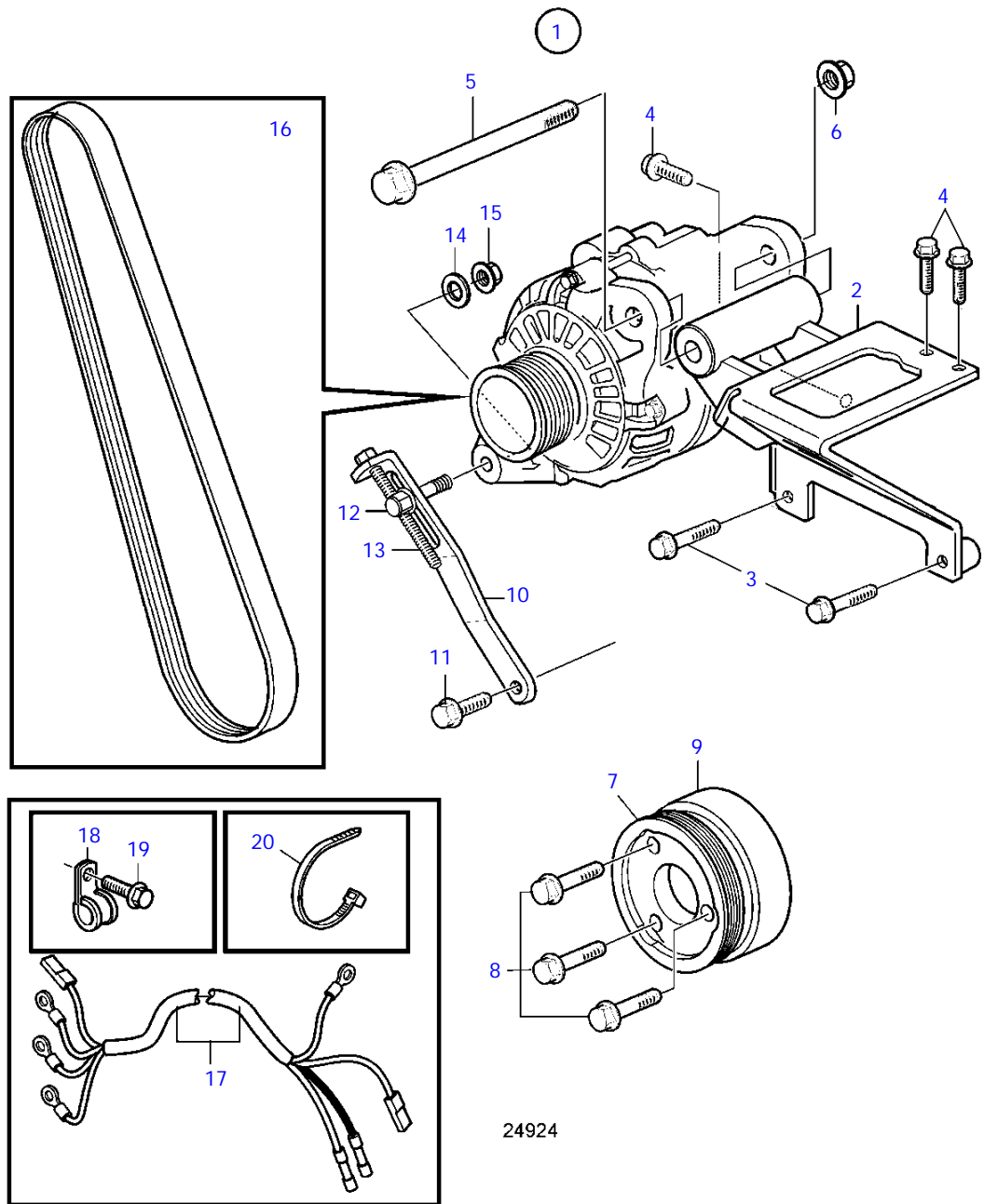


23103

D2-75A, D2-75B, D2-75C, D2-75F

REF	PART NO.	QTY	DESCRIPTION	NOTES
1	828164	1	Connection plate	For double steering positions.
2		1	* Housing	
3		2	* Lever	
4		2	* Lever	
5		1	* Lever	
6	828180	2	* Roller	
7	828183	2	* Split pin	
8	828178	2	* Bushing	
9	(850358)	1	* Clevis pin	Obsolete part
10	(828177)	2	* Clevis pin	Obsolete part
11	940191	3	* Washer	
12	828182	1	* Clevis pin	
13	664822	6	* Split pin	
14	850452	3	* Fork	
15	850361	3	* Cable attachment	
16	969407	6	* 6 point socket screw	(956078)
17	955780	6	* Hexagon nut	
18	(905448)	3	Screw	Obsolete part

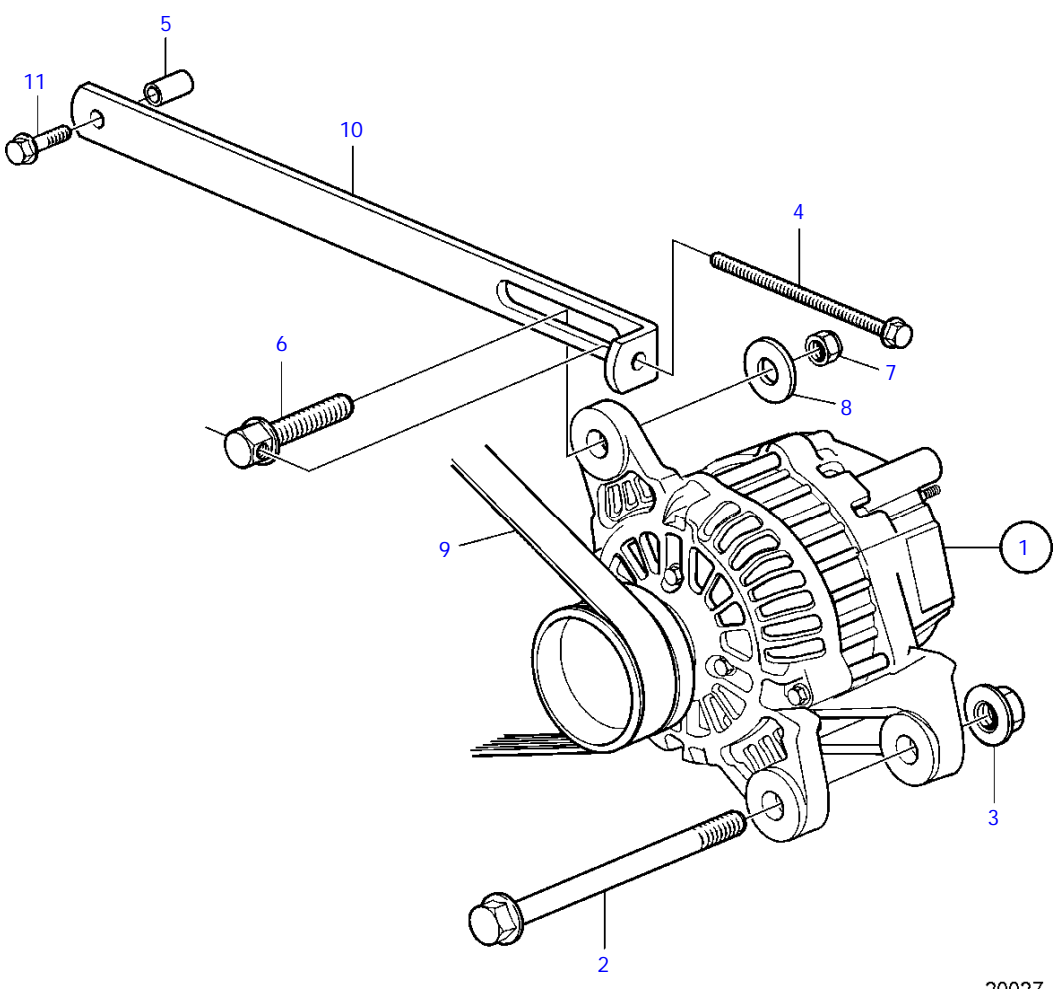
D2-75C



D2-75C

REF	PART NO.	QTY	DESCRIPTION	NOTES
1	21384685	1	Extra alternator, kit	
2	21178401	1	* Bracket	
3	946470	2	* Flange screw	M8x35mm
4	946440	3	* Flange screw	M8x16mm
5	978447	1	* Flange screw	M12x150mm
6	971096	1	* Flange nut	
7	21178941	1	* Pulley	
8	965227	3	* Flange screw	M12x55mm
9	3583572	1	* Spacer	
10	21180308	1	* Tensioner	
11	946173	1	* Flange screw	M8x20mm
12	861663	1	* Lock screw	
13	977820	1	* Hexagon screw	M8x100mm
14	960144	1	* Washer	
15	948645	1	* Flange lock nut	
16	21179870	1	* Belt	
17	21380307	1	* Wiring harness	
18	949746	1	* Clamp	
19	948663	1	* Flange screw	M5x10mm
20	948211	3	* Cable tie	

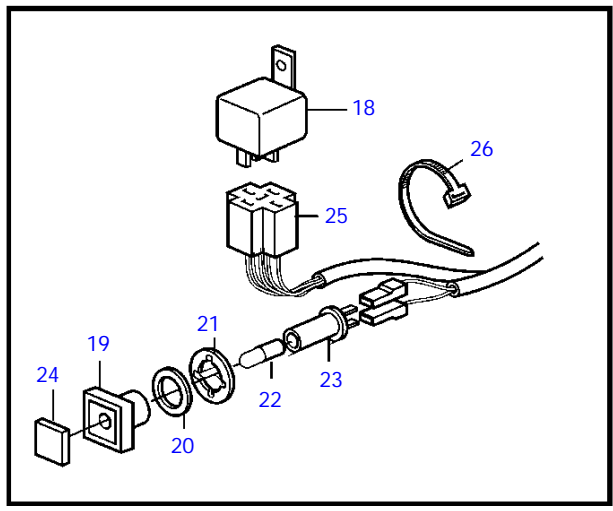
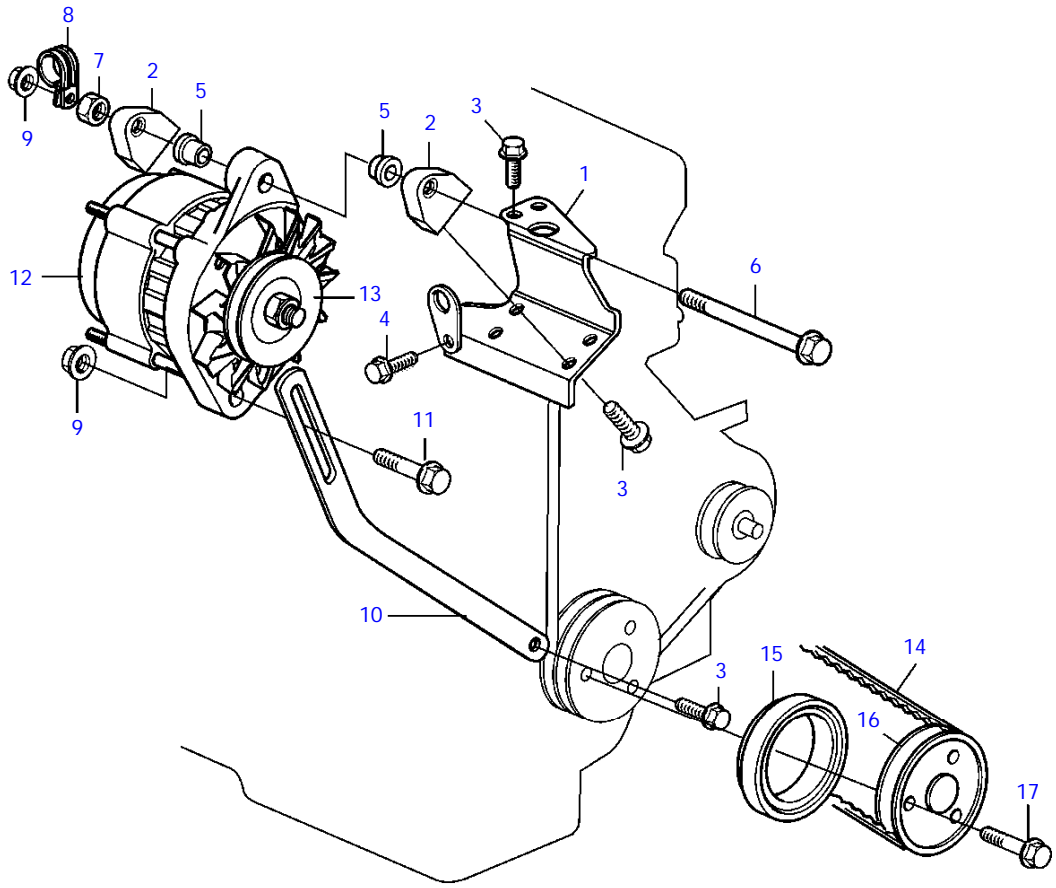
D2-75A, D2-75B, D2-75C, D2-75F



D2-75A, D2-75B, D2-75C, D2-75F

REF	PART NO.	QTY	DESCRIPTION	SEE SEC.	NOTES
1	3803650	1	Alternator, exch		114V 115A
	874502	1	Alternator		
	3803650	1	Alternator, exch, exch		
			*		114V 115A
			*	9893	
2	978447	1	Flange screw		
3	971096	1	Flange nut		
4	977820	1	Hexagon screw		
5	3808872	1	Spacer		
6	861663	1	Lock screw		
7	948645	1	Flange lock nut		
8	960144	1	Washer		
9	3584086	1	Belt		
10	3584100	1	Tensioner		
11	946671	1	Flange screw		

D2-75A, D2-75B, D2-75C



18969

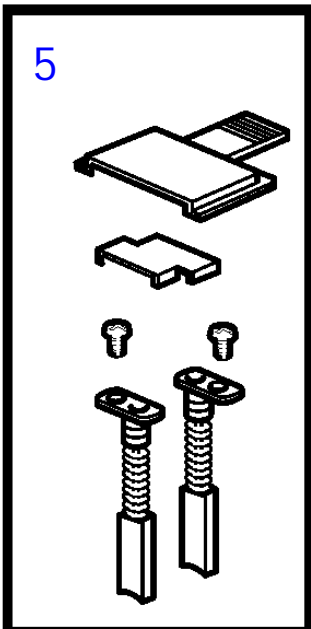
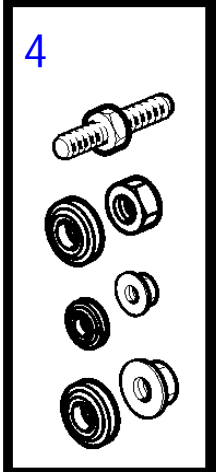
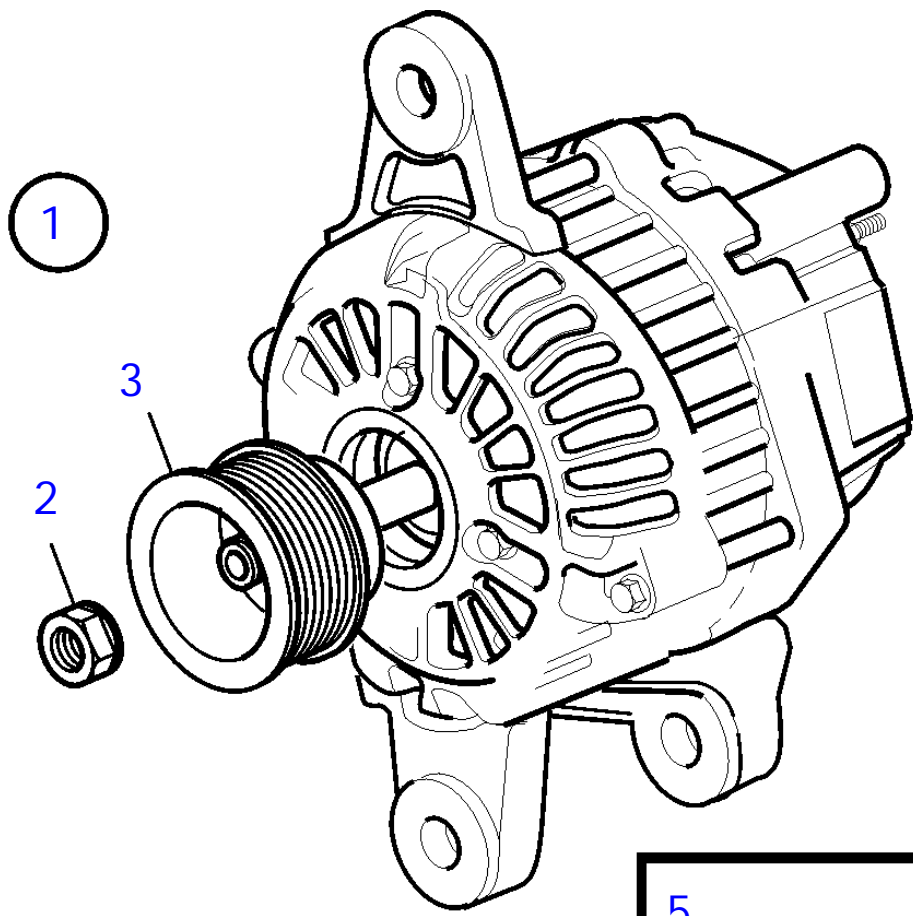
Extra Alternator	30
-------------------------	----

D2-75A, D2-75B, D2-75C

REF	PART NO.	QTY	DESCRIPTION	NOTES
1	3583062	1	Bracket	
2	3580749	2	Anchorage	
3	946440	7	Flange screw	
4	946173	1	Flange screw	
5	859274	2	Washer	
6	968553	1	Flange screw	
7	955782	1	Hexagon nut	
8	949746	1	Clamp	
9	945408	2	Flange nut	
10	845021	1	Tensioner	
11	947760	1	Flange screw	
12	872235	1	Alternator	12V, 60A
	3803260	1	Alternator, exch, exch	12V, 60A
	872927	1	Alternator	24V, 40A
	3803619	1	Alternator, exch, exch	24V, 40A
13	841813	1	Pulley	
14	978710	1	V-belt	
15	3583572	1	Spacer	
16	3581036	1	Pulley	
17	965227	3	Flange screw	
18	1324492	1	Relay	
19	838455	1	Retainer	
20	829714	1	Sealing ring	
21	967583	1	Retainer	
22	19923	1	Bulb	
23	808175	1	Lamp socket	
24	838457	1	Symbol strip	
25	838542	1	Cable trunk	
26	948211	10	Cable tie	



D2-75A, D2-75B, D2-75C, D2-75F

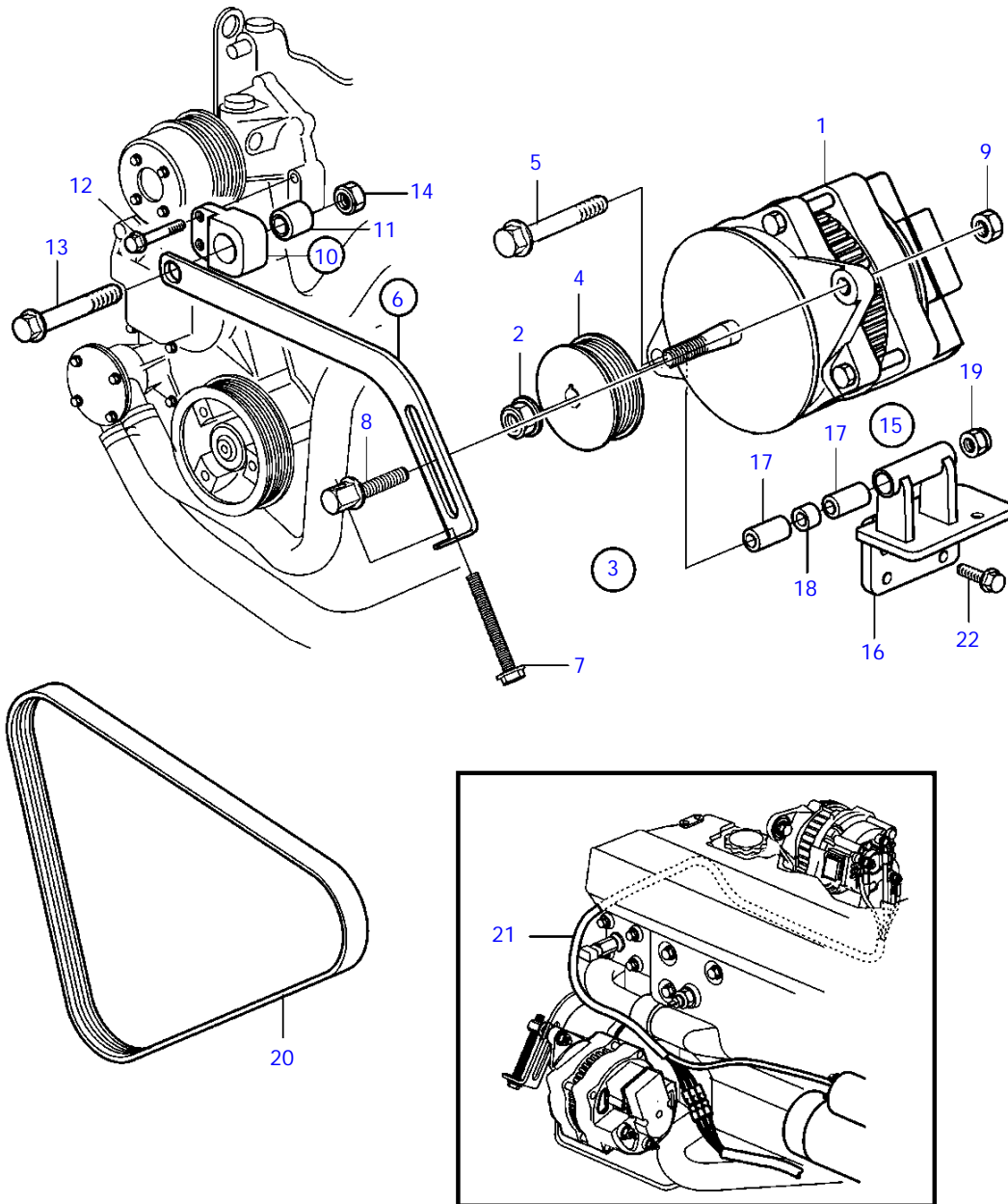


24383

D2-75A, D2-75B, D2-75C, D2-75F

REF	PART NO.	QTY	DESCRIPTION
1	3803650	1	Alternator, exch
2	3818955	1	• Nut set
3	3818957	1	• Pulley
4	3818997	1	• Connector kit
5	3818999	1	• Brush set

D2-75A, D2-75B, D2-75C, D2-75F

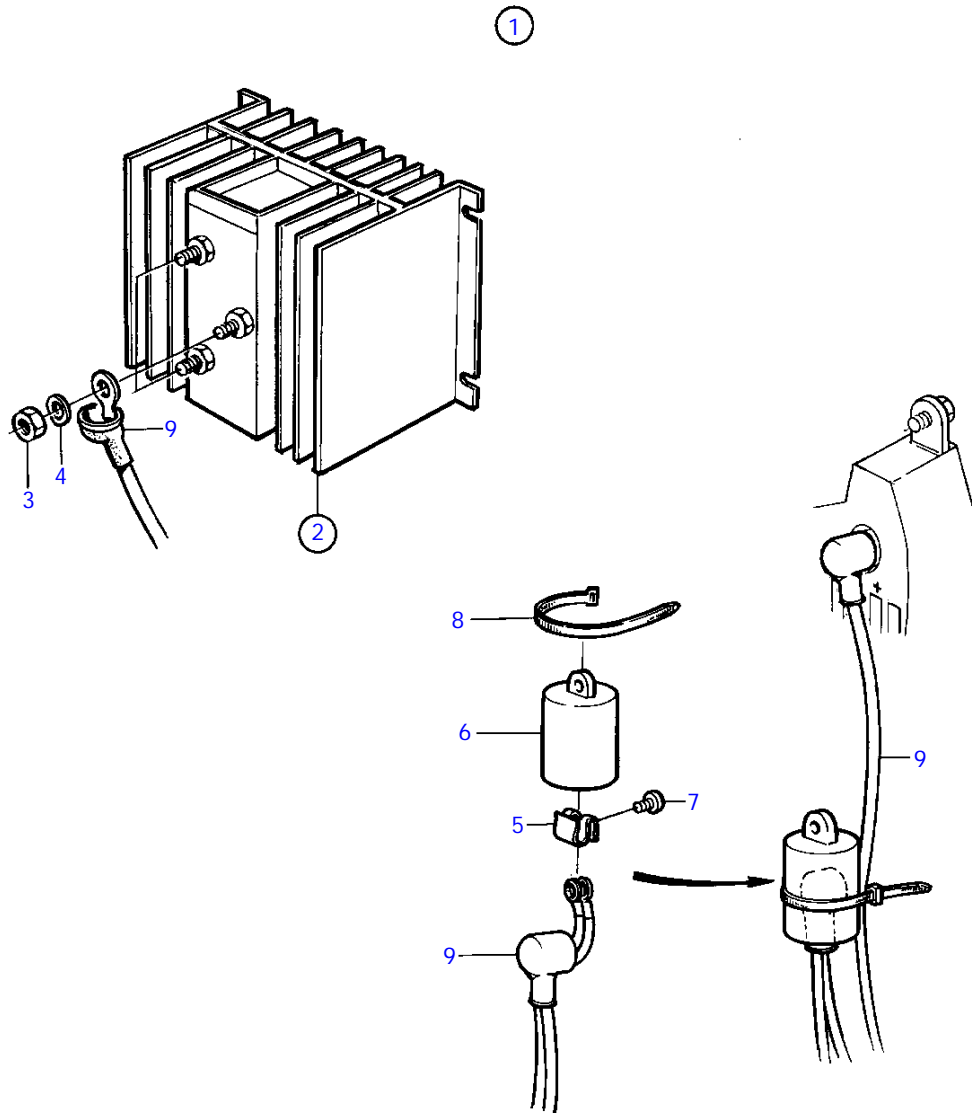


23210

D2-75A, D2-75B, D2-75C, D2-75F

REF	PART NO.	QTY	DESCRIPTION	SEE SEC.	NOTES
1		1	Alternator, mastervolt		Not marketed by Volvo Penta.
2		1	* Nut		
3	21281679	1	Alternator kit		
4	3818325	1	* Pulley		
5	978447	4	* Flange screw		
6		1	* Tensioner, kit		
7	977820	1	* Hexagon screw		
8	861663	1	* Lock screw		
9	945408	1	* Flange nut		
10		1	* Bracket, kit		
11	859071	1	* Bushing		
12	945444	2	* Flange screw		
13	965193	1	* Flange screw		
14	971096	1	* Flange nut		
15		1	* Bracket, kit		
16		1	* Bracket		
17	859574	2	* Bushing		
18	859072	1	* Sleeve		
19	971096	1	* Flange nut		
20	991619	1	* V-ribbed belt		
21	3886482	1	* Wiring harness		
			* Bulletin P-32-1-3	P-32-1-3-EN	Extra Alternator Kit, D2-55/75 Engines
22	3583794	4	Screw		

D2-75A, D2-75B, D2-75C, D2-75F

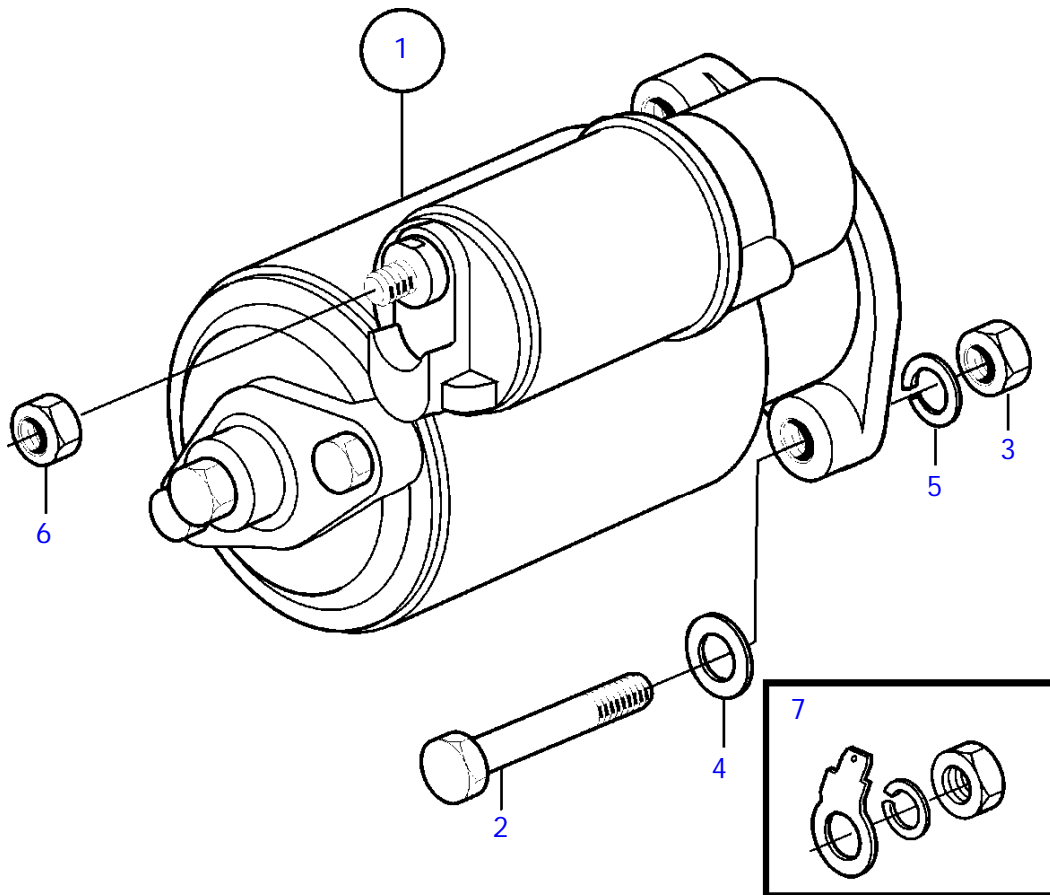


11570

D2-75A, D2-75B, D2-75C, D2-75F

REF	PART NO.	QTY	DESCRIPTION	SEE SEC.	NOTES
1	873120	1	Junction block		For charging of 2 batteries., For alternators 12-28V up to 60A.
			* Bulletin 52-07	52-07-EN	Charging Distributor
			* Bulletin 52-11	52-11-EN	Charging Distributor
2	872928	1	* Junction block		
3	955846	3	* Hexagon nut		
4	941906	3	* Spring washer		
5	859492	1	* Spring nut		
6	859493	1	* Protecting casing		
7	955126	1	* Cross recessed screw		
8	948211	1	* Cable tie		
9		X	electrical materials	1963	

D2-75A, D2-75B, D2-75C, D2-75F

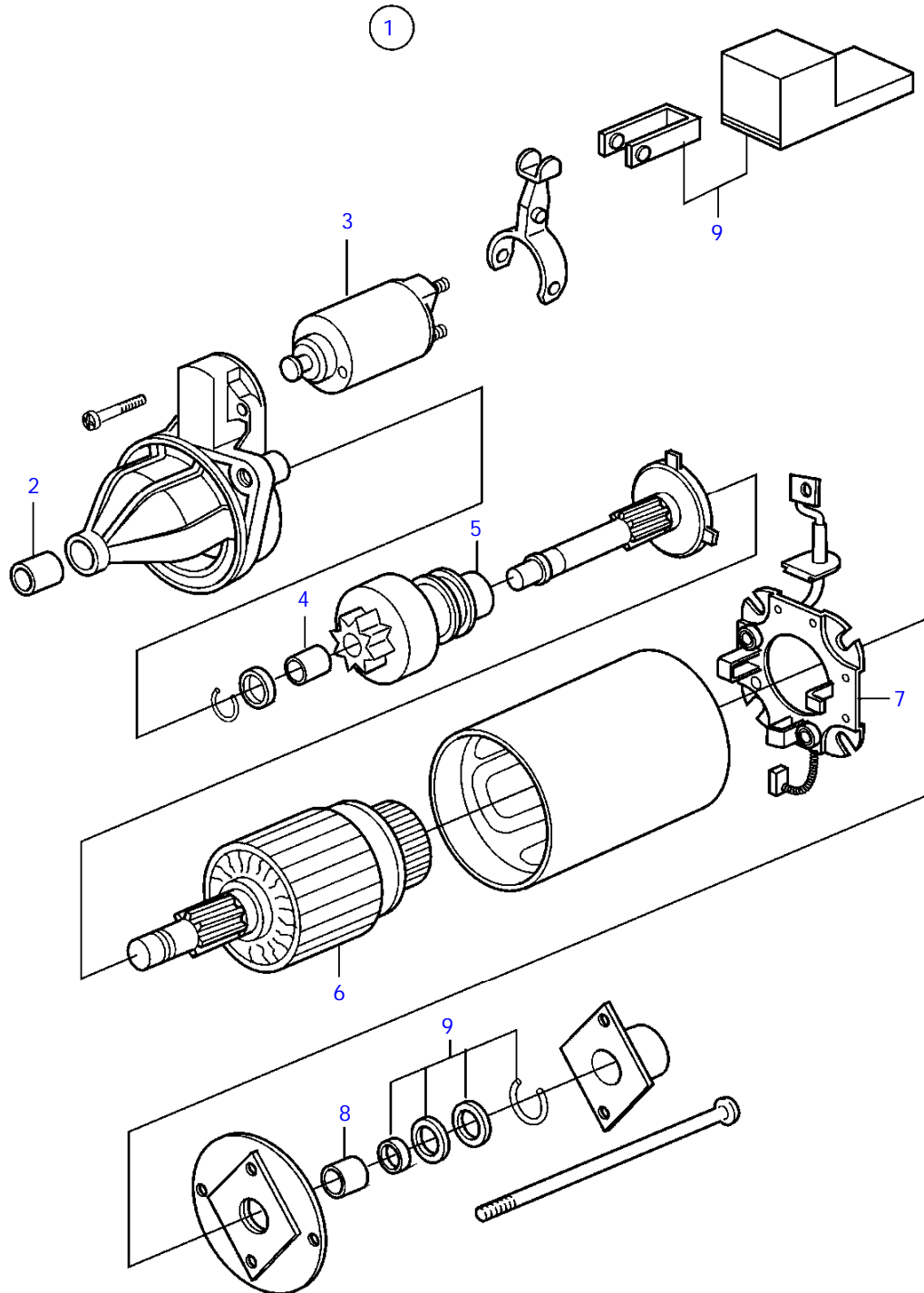


18959

D2-75A, D2-75B, D2-75C, D2-75F

REF	PART NO.	QTY	DESCRIPTION	NOTES
1	3801351	1	Starter motor, exch	Replaced by 21323043
	21323043	1	Starter motor	
	3801351	1	Starter motor, exch, exch	
2	970948	2	Hexagon screw	
3	948645	2	Flange lock nut	
4	3580031	2	Washer	
5	3580015	2	Spring washer	
6	948645	1	Flange lock nut	
7		1	included material	

D2-75A, D2-75B, D2-75C, D2-75F

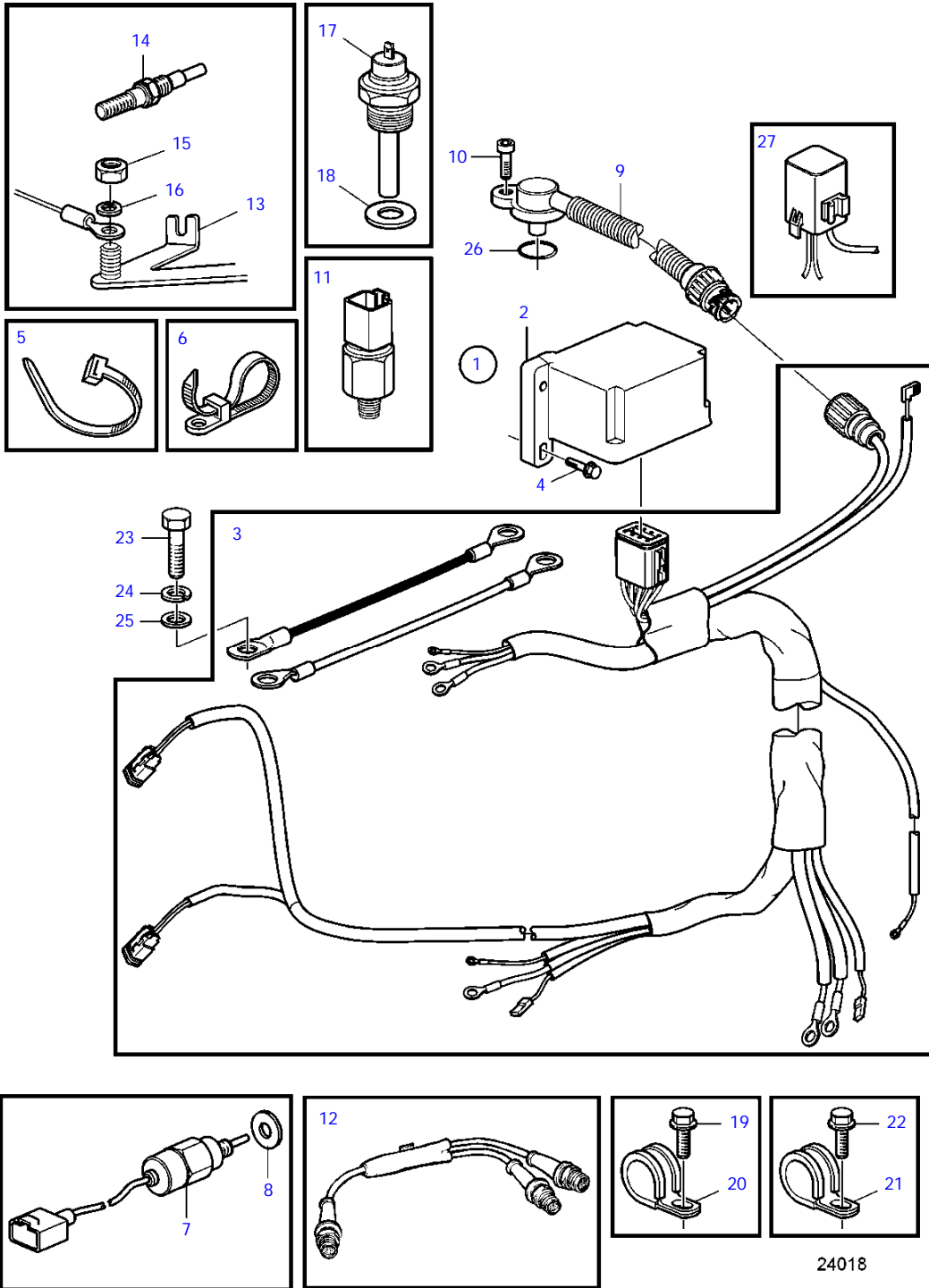


18960

D2-75A, D2-75B, D2-75C, D2-75F

REF	PART NO.	QTY	DESCRIPTION	NOTES
1	(3583555)	1	Starter motor	Use exch no 3801351, Obsolete part
	(3803929)	1	Starter motor, exch, exch	Use exch no 3801351, Obsolete part
	3801351	1	Starter motor, exch	Replaced by 21323043
	21323043	1	Starter motor	
	3801351	1	Starter motor, exch, exch	
2	3583744	1	* Bushing	
3	(3583745)	1	* Starter relay	Obsolete part
4	3583746	1	* Bushing	
5	3583747	1	* Starter pinion	
6		1	* Rotor	
7	3583749	1	* Brush retainer	
8	3583751	1	* Bushing	
9		1	* Washer kit	

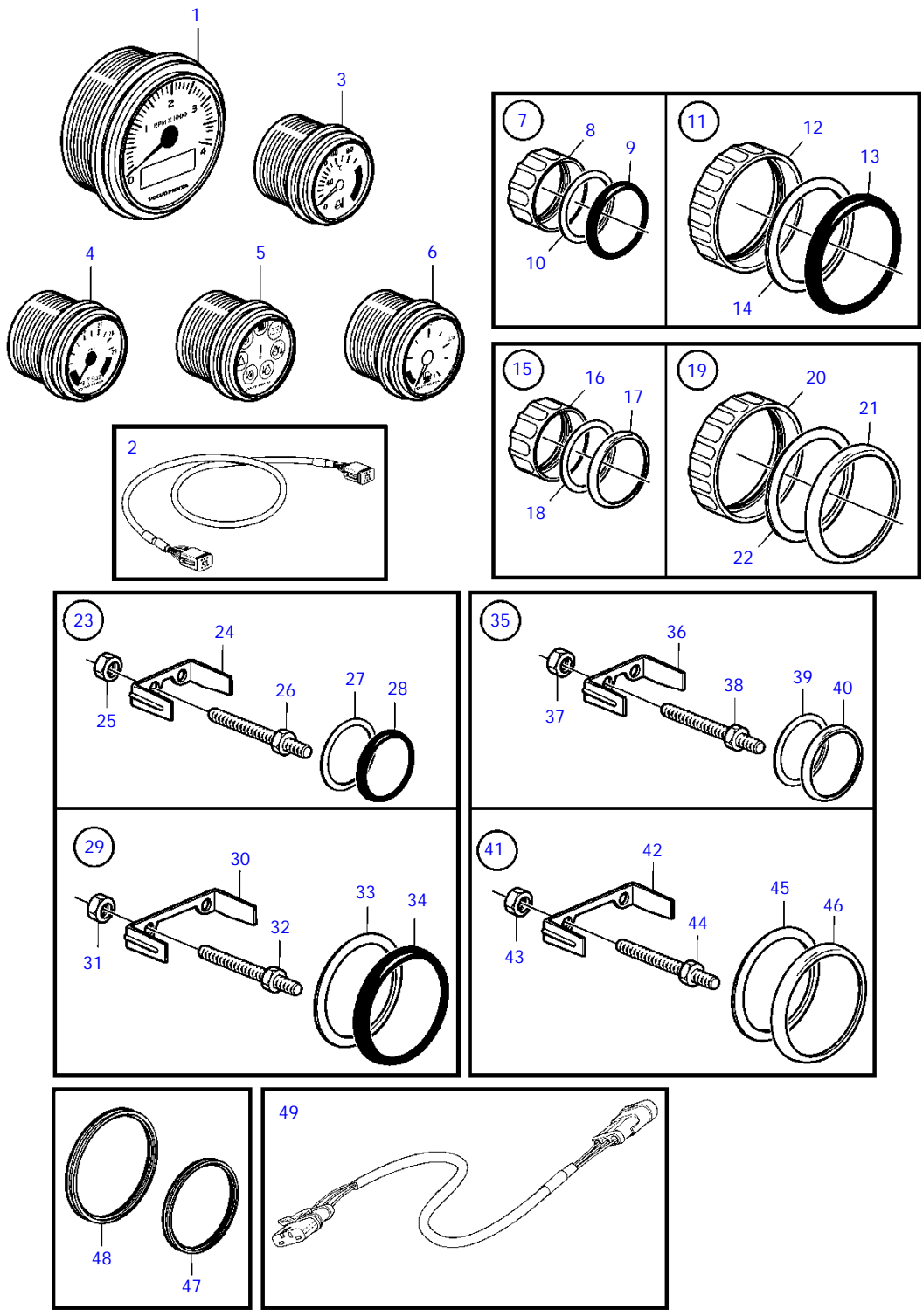
D2-75B, D2-75C, D2-75F



D2-75B, D2-75C, D2-75F

REF	PART NO.	QTY	DESCRIPTION	NOTES
1			Electrical distribut	
2	21120710	1	* Control unit	Replaced by 21261871
	21261871	1	* Control unit	MDI, Replaced by 21511215
	21511215	1	* Electronic unit	Replaced by 21558939
	21558939	1	* Electronic unit	
3	3843674	1	* Wiring harness	D2-55D, D2-55E, D2-75B, D2-75C
	21273764	1	* Wiring harness	D2-55F, D2-75F
4	948356	2	Flange screw	
5	948211	8	Cable tie	
6	948616	1	Cable tie	
7	3584127	1	Stop solenoid	
8	3580092	1	Sealing ring	
9	3944124	1	Sensor	
10	942001	1	Hex. socket screw	
11	21250645	1	Pressure switch	For oil
12	1140598	1	Distributing contact	For double steering positions.
13	3583571	1	Current bar	
14	3583025	1	Glow plug	
15	955779	1	Hexagon nut	
16	3809677	1	Washer	
17	827151	1	Temperature sensor	
18	11998	1	Gasket	
19	947191	1	Clamp	
20	947107	1	Flange screw	
21	945081	1	Clamp	
22	947107	1	Flange screw	
23	946502	1	Flange screw	Ground (hull)
24	955898	1	Washer	0.2mm
25	940280	1	Spring washer	1.2mm
26	974673	1	O-ring	
27	3594745	1	Wiring harness	

D2-75B, D2-75C, D2-75F

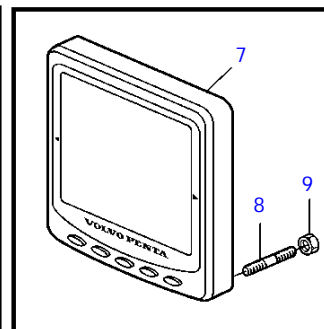
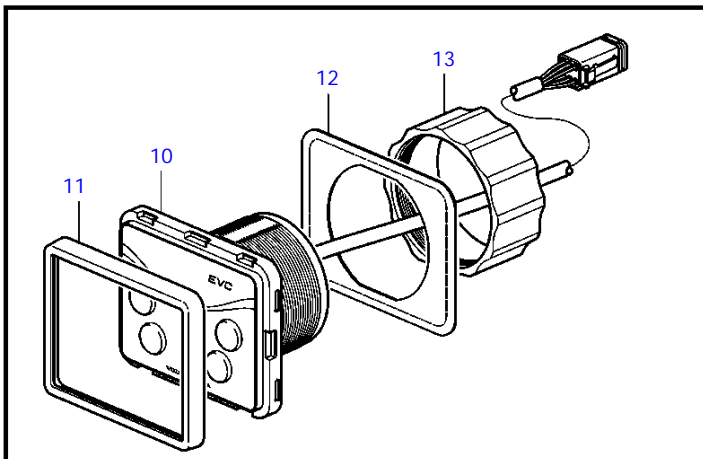
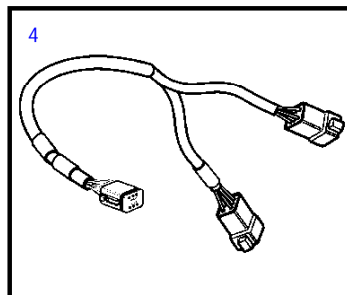
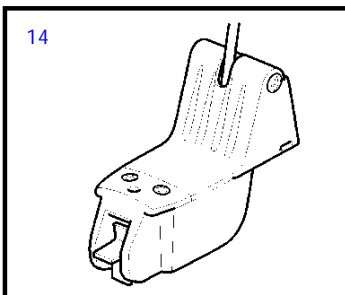
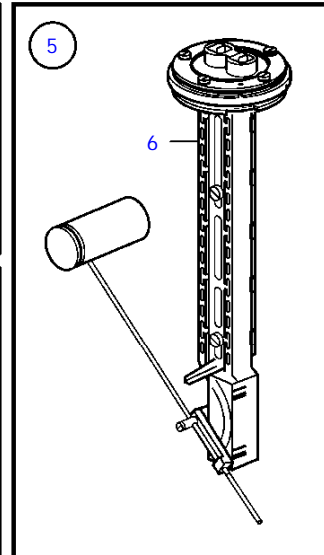
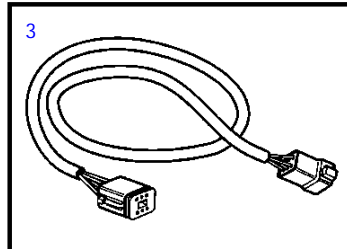
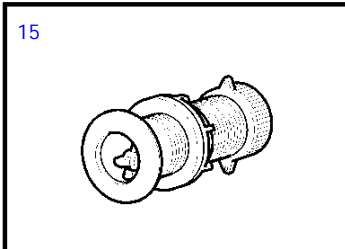
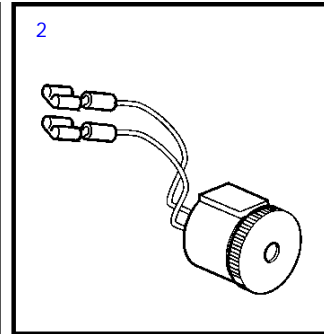
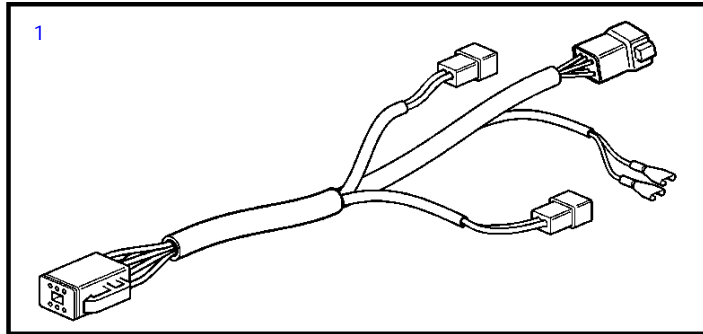


23568

D2-75B, D2-75C, D2-75F

REF	PART NO.	QTY	DESCRIPTION	NOTES
1	3885694	1	Tachometer	Black, 4000rpm
	3885695	1	Tachometer	White, 4000rpm
2	3886666	1	Cable	L=1500mm
	21166002	1	Wiring harness	L=7000mm
	21166003	1	Wiring harness	L=9000mm
	21166004	1	Wiring harness	L=13000mm
3	874904	1	Thermometer, coolant water	Black 0-120°C
	874921	1	Thermometer, coolant water	White 0-120°C
	874918	1	Thermometer, coolant water	Black 40-250 °F
	874931	1	Thermometer, coolant water	White 40-250 °F
4	881649	1	Voltmeter	12V, black
	881658	1	Voltmeter	12V, white
5	874915	1	Instrument, alarm	Black D=52mm
	874927	1	Instrument, alarm	White D=52mm
6	874914	1	Fuel gauge	Black D=52mm
	874926	1	Fuel gauge	White D=52mm
7	874709	1	Mounting kit	Black D=52mm
8	874450	1	* Attaching ring	
9	874448	1	* Ring	
10	874707	1	* Gasket	
11	874708	1	Mounting kit	Black D=85mm
12	874449	1	* Attaching ring	
13	874447	1	* Ring	
14	874706	1	* Gasket	
15	874733	1	Mounting kit	Chrome D=52mm
16	874450	1	* Attaching ring	
17	874731	1	* Ring	
18	874707	1	* Gasket	
19	874732	1	Mounting kit	Chrome D=85mm
20	874449	1	* Attaching ring	
21	874730	1	* Ring	
22	874706	1	* Gasket	
23	881611	1	Brace kit	Black D=52mm
24	881607	1	* Brace	
25	881610	2	* Nut	
26	881609	2	* Stud	
27	874707	1	* Gasket	
28	874448	1	* Ring	
29	881612	1	Brace kit	Black D=85mm
30	881608	1	* Brace	
31	881610	2	* Nut	
32	881609	2	* Stud	
33	874706	1	* Gasket	
34	874447	1	* Ring	
35	881613	1	Brace kit	Chrome D=52mm
36	881607	1	* Brace	
37	881610	2	* Nut	
38	881609	2	* Stud	
39	874707	1	* Gasket	
40	874731	1	* Ring	
41	881614	1	Brace kit	Chrome D=85mm
42	881608	1	* Brace	
43	881610	2	* Nut	
44	881609	2	* Stud	
45	874706	1	* Gasket	
46	874730	1	* Ring	
47	874843	1	X-ring, sealing	For flush mounting., D=52mm
48	874844	1	X-ring, sealing	For flush mounting., D=85mm
49	874759	1	Extension cable'verl, instrument	L=1000mm
	3807043	1	Extension cable'verl, instrument	L=3000mm

D2-75B, D2-75C, D2-75F

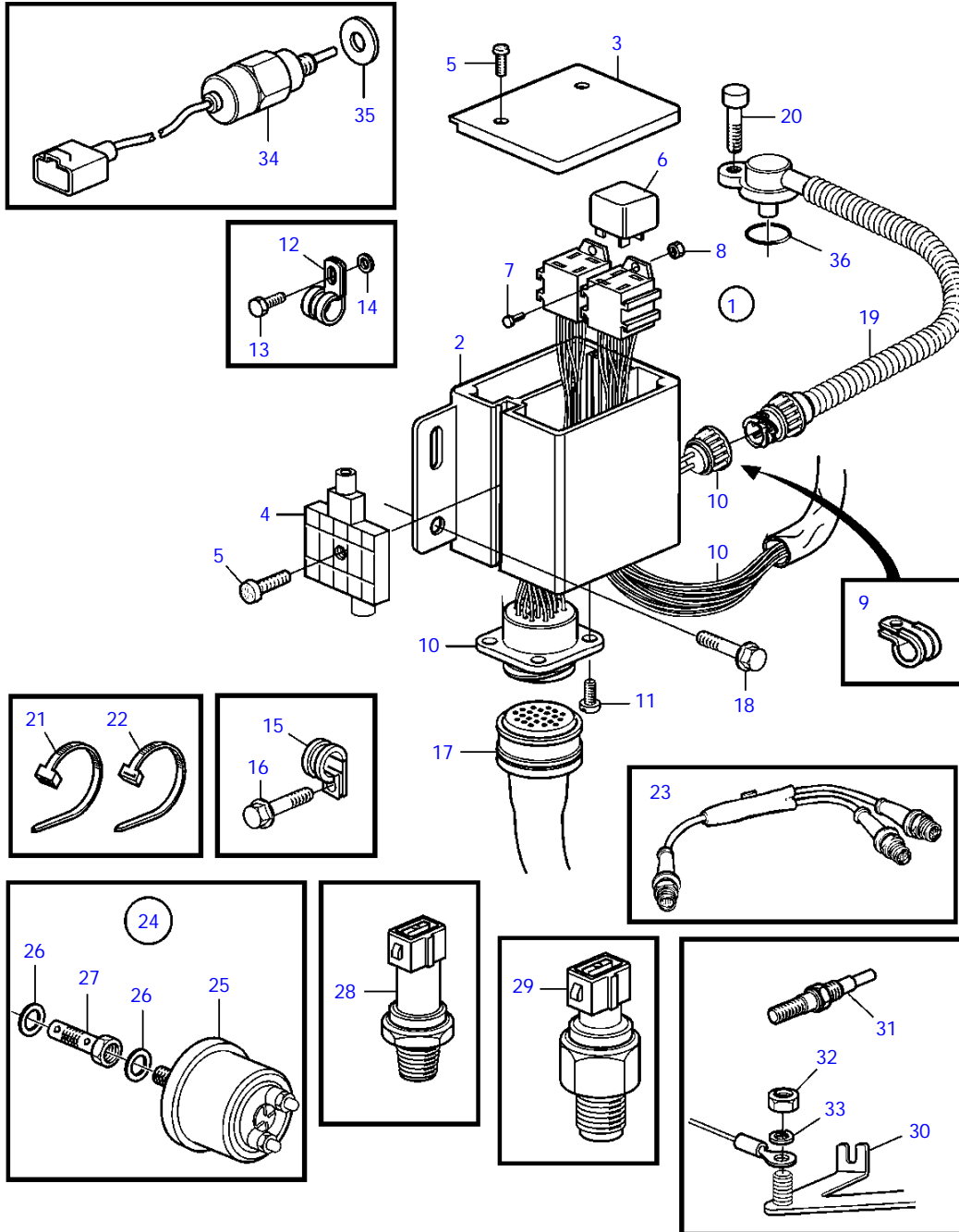


23570

D2-75B, D2-75C, D2-75F

REF	PART NO.	QTY	DESCRIPTION	NOTES
1	3888589	1	Wiring harness	
2	3817974	1	Alarm	
3	3842733	1	Extension cable'verl	L=3000mm
	3842734	1	Extension cable'verl	L=5000mm
	3842735	1	Extension cable'verl	L=7000mm
	3842736	1	Extension cable'verl	L=9000mm
	3842737	1	Extension cable'verl	L=11000mm
4	3588206	1	Cable kit, y-split	
	874760	1	Cable kit	For secondary helm station
5	3812291	1	Sensor kit	Replaced by 21575479
	21575479	1	Sensor kit	
6	873772	1	* Tank sensor	
7	21631438	1	Kit	
8	830928	4	* Stud	
9	830930	4	* Nut	
10	21144348	1	Control panel	
11	3808131	1	* Frame	
12	3808135	1	* Gasket	
13	3808134	1	* Nut	
14	3587055	1	Sensor	Mounted on transom
15	3587054	1	Sensor	Through hull

D2-75A

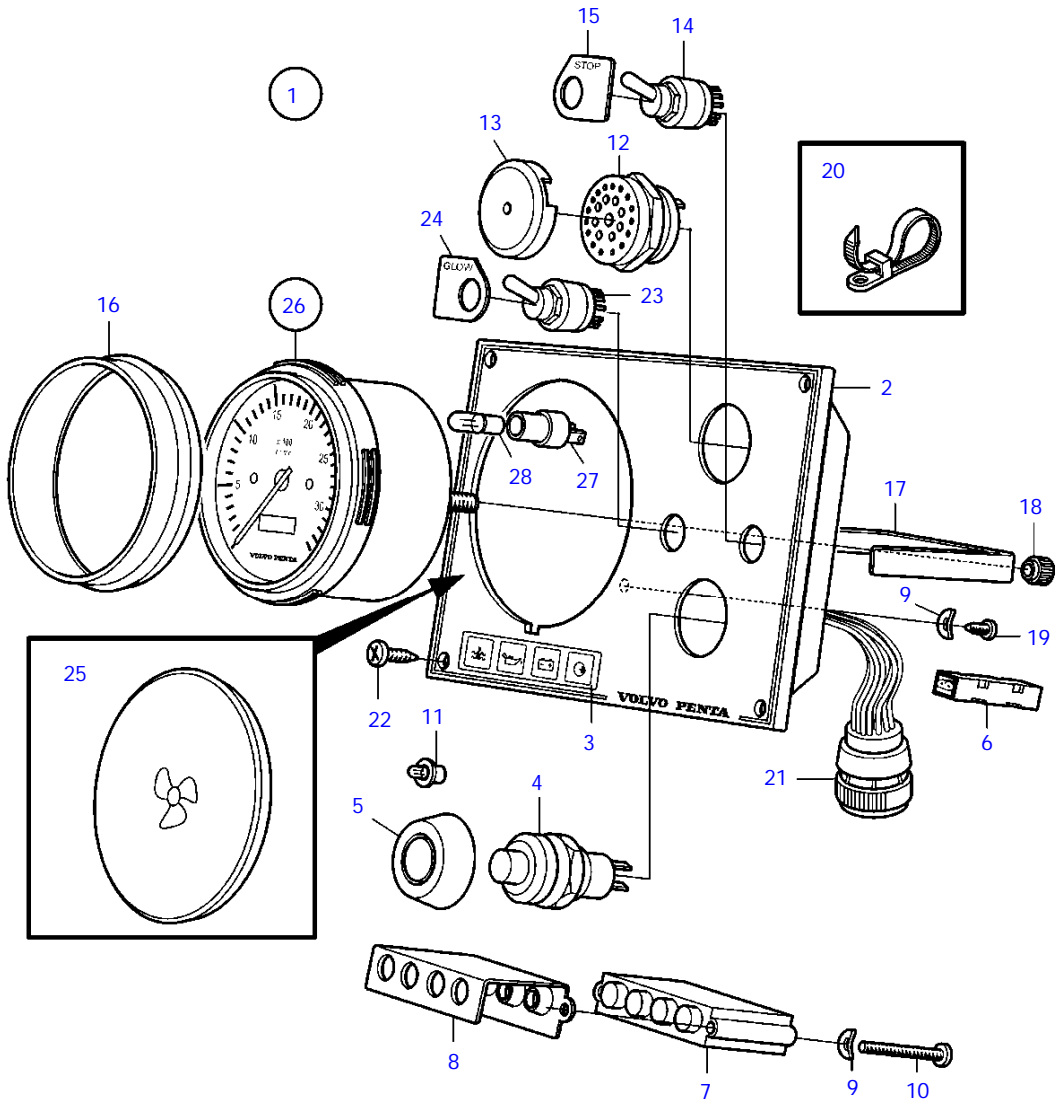


20427

D2-75A

REF	PART NO.	QTY	DESCRIPTION	NOTES
1		1	Electrical system	
2	861648	1	* Electrical distribut	
3	861681	1	* Cardboard tube	
4	873566	1	* Fuse box	
5	955142	1	* Cross recessed screw	
6	873765	2	* Relay	
7	948663	3	* Flange screw	
8	955780	3	* Hexagon nut	
9	952627	1	* Clamp	
10	881664	1	* Wiring harness	
11	955119	4	* Cross recessed screw	
12	952627	1	* Clamp	
13	969456	1	* 6 point socket screw	
14	960137	1	* Washer	
15	947191	1	Clamp	For cabel to glow plug
16	947107	1	Flange screw	
17	846648	1	Extension cable'verl	L=3000mm
	846649	1	Extension cable'verl	L=5000mm
	846650	1	Extension cable'verl	L=7000mm
	873838	1	Extension cable'verl	L=9000mm
	873839	1	Extension cable'verl	L=11000mm
18	3580269	2	Screw	
19	3944124	1	Sensor	
20	963684	1	Hex. socket screw	
21	948616	1	Cable tie	
22	948211	1	Cable tie	
23	1140598	1	Distributing contact	For double steering positions.
24		1	Sensor kit	
25	3587359	1	* Oil pressure sensor	
26	11992	2	* Gasket	
27	3583575	1	* Hollow screw	
28	3808797	1	Thermo monitor	
29	3583569	1	Temperature sensor	
30	3583571	1	Current bar	
31	3583025	4	Glow plug	
32		1	Nut	
33		1	Washer	
34	3584127	1	Stop solenoid	
35	3580092	1	Sealing ring	
36	974673	1	O-ring	

D2-75A

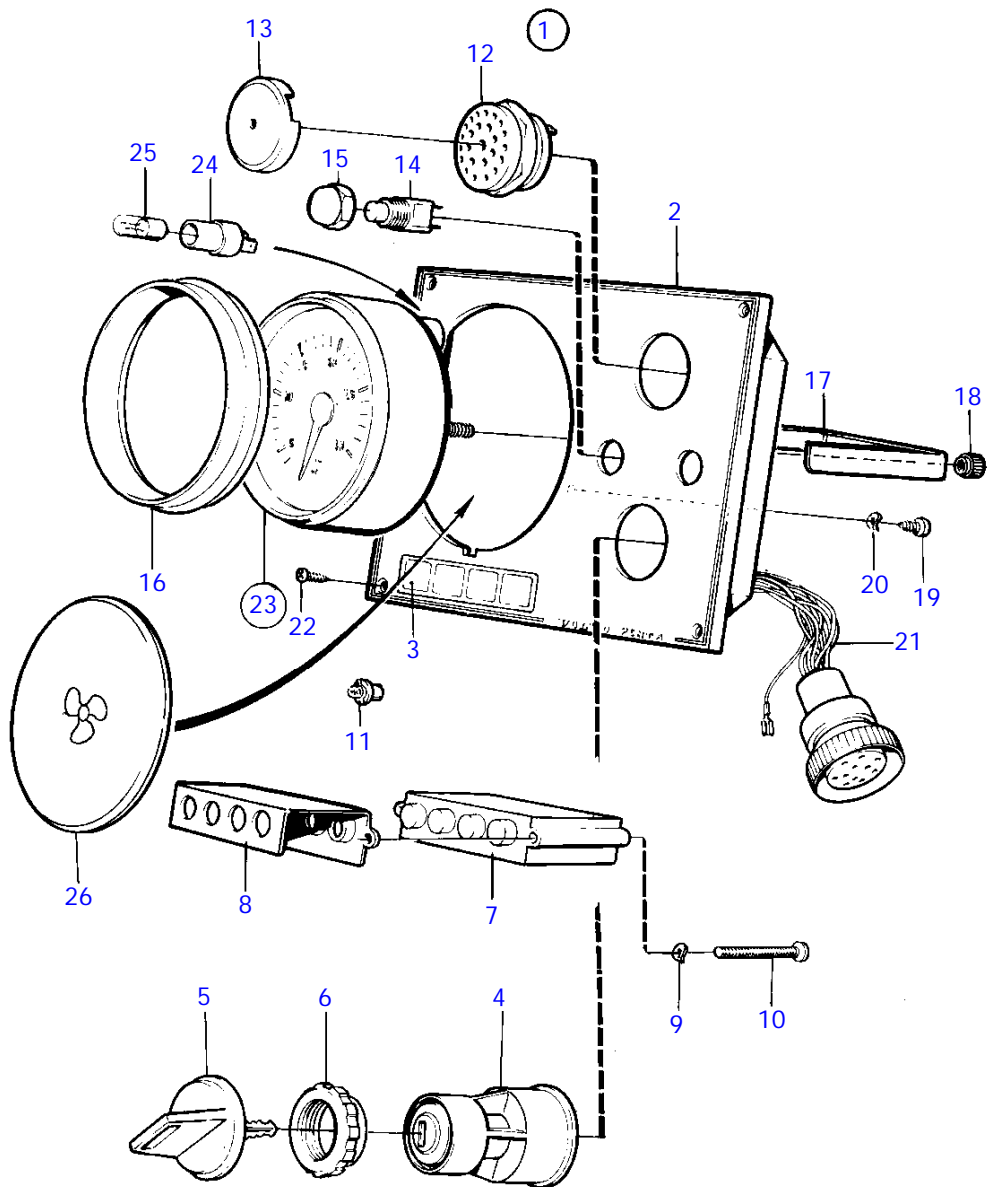


20351



D2-75A

REF	PART NO.	QTY	DESCRIPTION	NOTES
1	888565	1	Instrument panel	
2	872798	1	* Instrument panel	
3	858645	1	* Symbol strip	
4	843684	1	* Button	
5	837533	1	* Rubber cap	
6		1	* Diode	
7	873737	1	* Electronic unit	
8	828784	4	* Reflector	
9	941904	3	* Spring washer	
10	(941615)	2	* Cross recessed screw	Obsolete part
11	19923	1	* Bulb	12V
12	828587	1	* Buzzer	
13	858795	1	* Protecting casing	
14	3586251	1	* Breaker	
15	3586262	1	* Decal	
	828586	1	* Nut	
16	873517	1	* Ring	
17	873208	1	* Brace kit	
18		2	* Nut	
19	949947	1	* Cross recessed screw	
20	948211	2	* Cable tie	
21	3586264	1	* Wiring harness	
22	828647	4	* Screw	
23	872800	1	* Toggle switch	
24	872771	1	* Decal	
25	858648	1	Closure	Alt
26	873992	1	Tachometer kit	4600 rpm
27	863945	1	* Lamp socket	
28	863946	1	* Bulb	12V

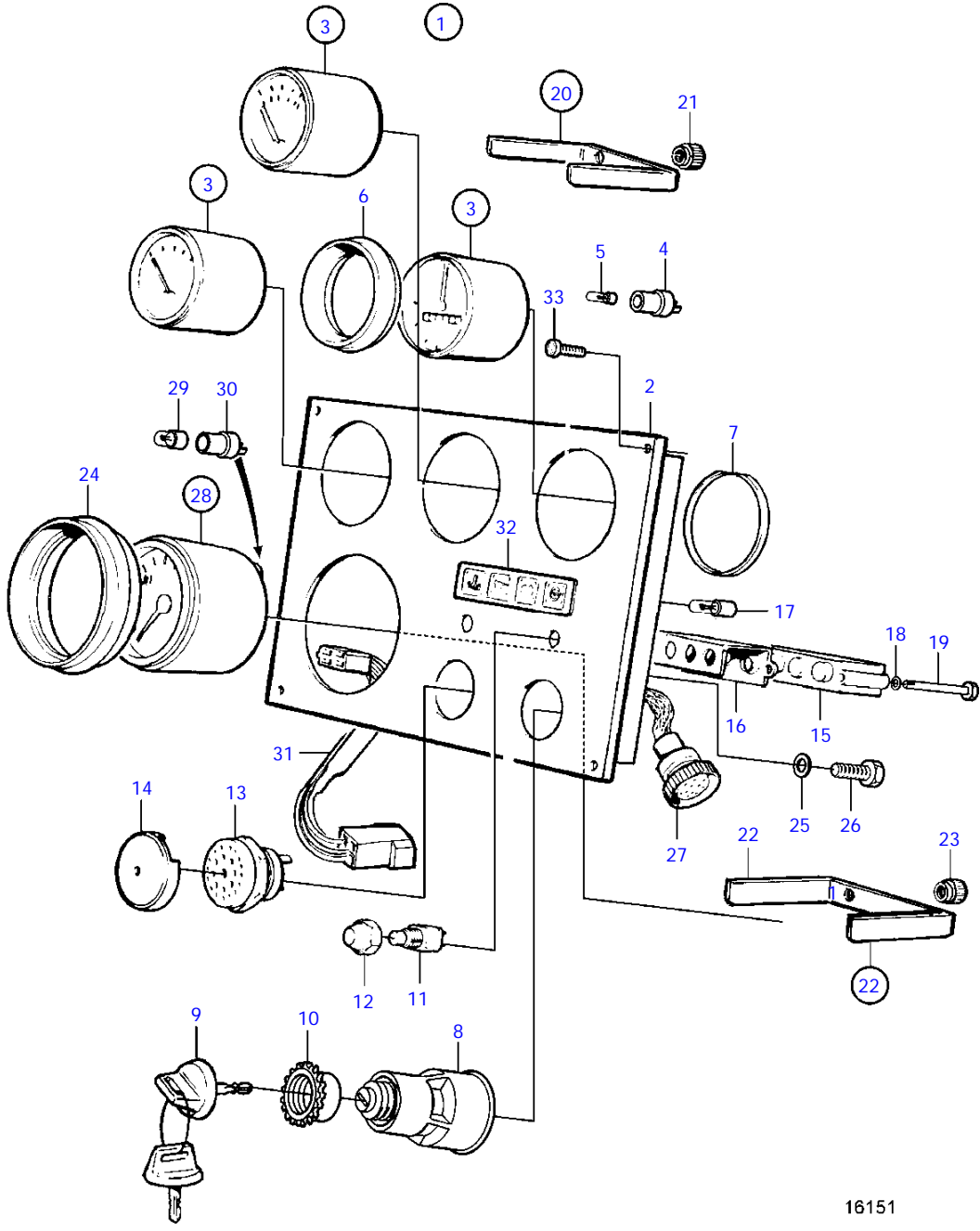


16147

D2-75A

REF	PART NO.	QTY	DESCRIPTION	SEE SEC.	NOTES
1	3587077	1	Instrument panel		(873593)
2	860183	1	* Instrument panel		
3	858645	1	* Symbol strip		
4	3587072	1	* Starter switch		(864277)
5	859953	2	* • Key		State key code when ordering.
			* Bulletin 49-30	49-30-EN	Key P/N 859953
6	859955	1	* • Plastic nut		
7	873737	1	* Electronic unit		
8	828784	1	* Reflector		
9	941904	2	* Spring washer		
10	(941615)	2	* Cross recessed screw		Obsolete part
11	19923	4	* Bulb		12V
12	828587	1	* Buzzer		
13	858795	1	* Protecting casing		
14	828584	1	* Toggle switch		Alarm test
	828585	1	* Toggle switch		Instr. light
15	828586	2	* Nut		
16	873517	1	* Ring		
17	873208	1	* Brace kit		
18		2	* • Nut		
19	949947	1	* Cross recessed screw		
20	941904	1	* Spring washer		
21	828648	1	* Cable kit		
22	828647	4	* Screw		
23	873998	1	Tachometer kit		
24	863945	1	* Lamp socket		
25	863946	1	* Bulb		12V
26	858648	1	Closure		Alt

D2-75A



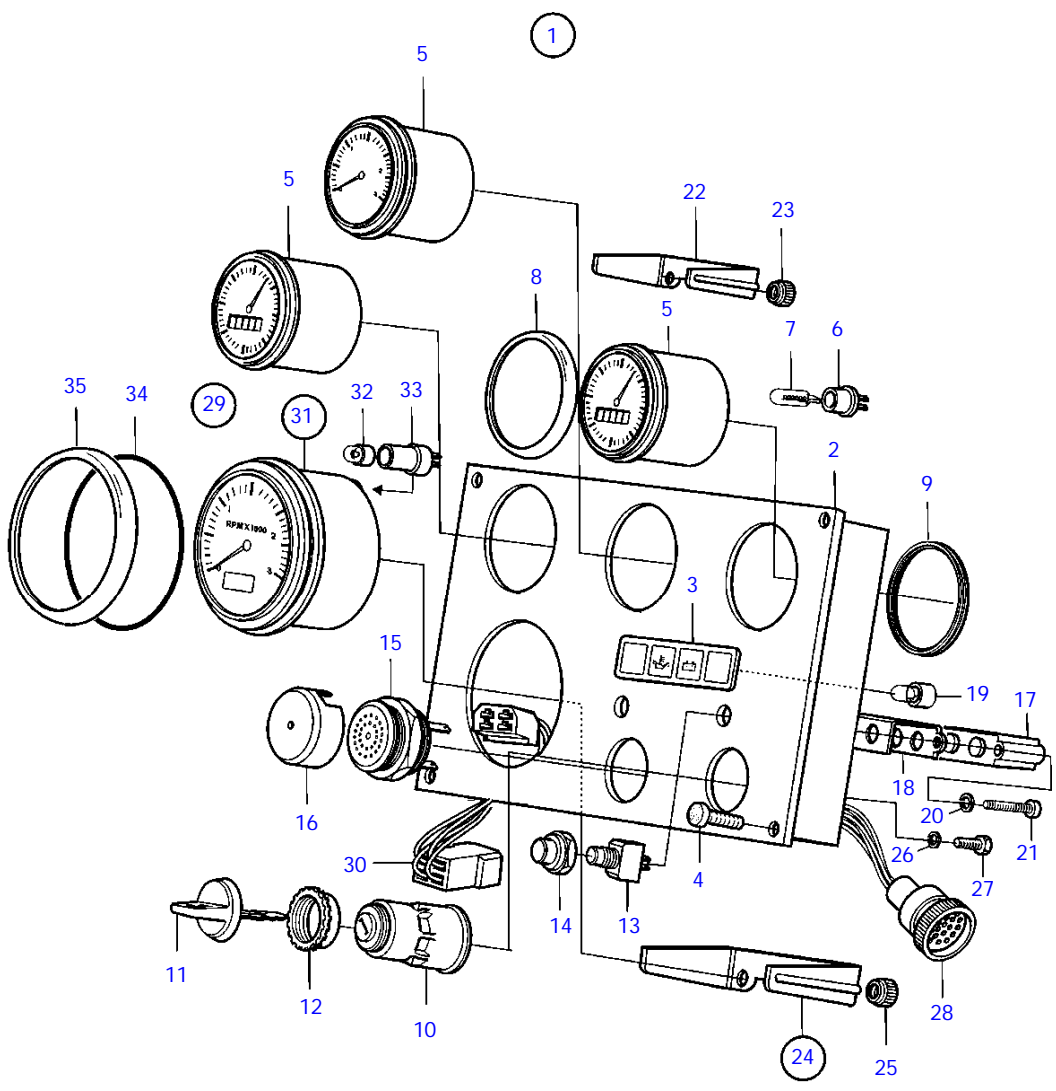
16151



D2-75A

REF	PART NO.	QTY	DESCRIPTION	SEE SEC.	NOTES
1	3587074	1	Instrument panel		(873590)
2	860182	1	* Instrument panel		
3	873195	1	* Thermometer		
	873197	1	* Oil pressure gauge		
	873199	1	* Voltmeter		
4	863945	3	* • Lamp socket		
5	863946	3	* • Bulb		
6	858643	3	* Front ring		D=52mm
7	828803	3	* Guide ring		
8	3587072	1	* Starter switch		(864277)
9	859953	2	* • Key		State key code when ordering.
			* Bulletin 49-30	49-30-EN	Key P/N 859953
10	859955	1	* • Plastic nut		
11	828584	1	* Toggle switch		Test alarm
	828585	1	* Toggle switch		Instr. light
12	828586	2	* Nut		
13	828587	1	* Buzzer		
14	858795	1	* Protecting casing		
15	873737	1	* Electronic unit		
16	828784	1	* Reflector		
17	19923	4	* Bulb		12V
18	941904	2	* Spring washer		
19	(941615)	2	* Cross recessed screw		Obsolete part
20	873207	3	* Brace kit		
21		6	* • Nut		
22	873208	1	* Brace kit		
23		2	* • Nut		
24	873517	1	* Ring		D=72mm
25	941904	1	* Spring washer		
26	949947	1	* Cross recessed screw		
27	828646	1	* Cable trunk		
28	873992	1	Tachometer kit		4600 rpm (876751)
29	863946	1	* Bulb		
30	863945	1	* Lamp socket		
31	873567	1	Diode cable		
32	858645	1	Symbol strip		
33	828647	4	Screw		

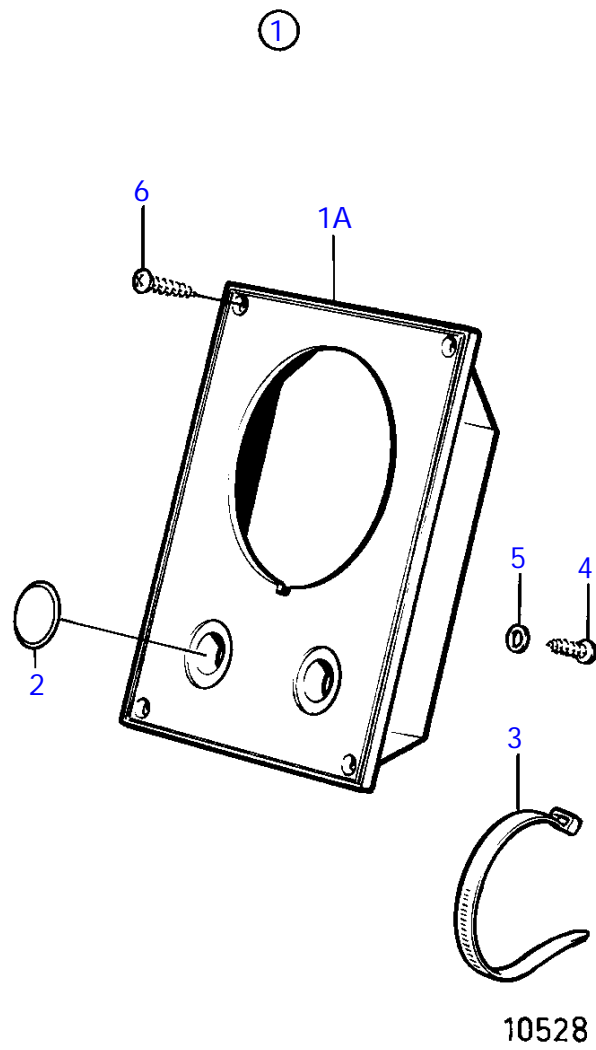
D2-75A



19866

D2-75A

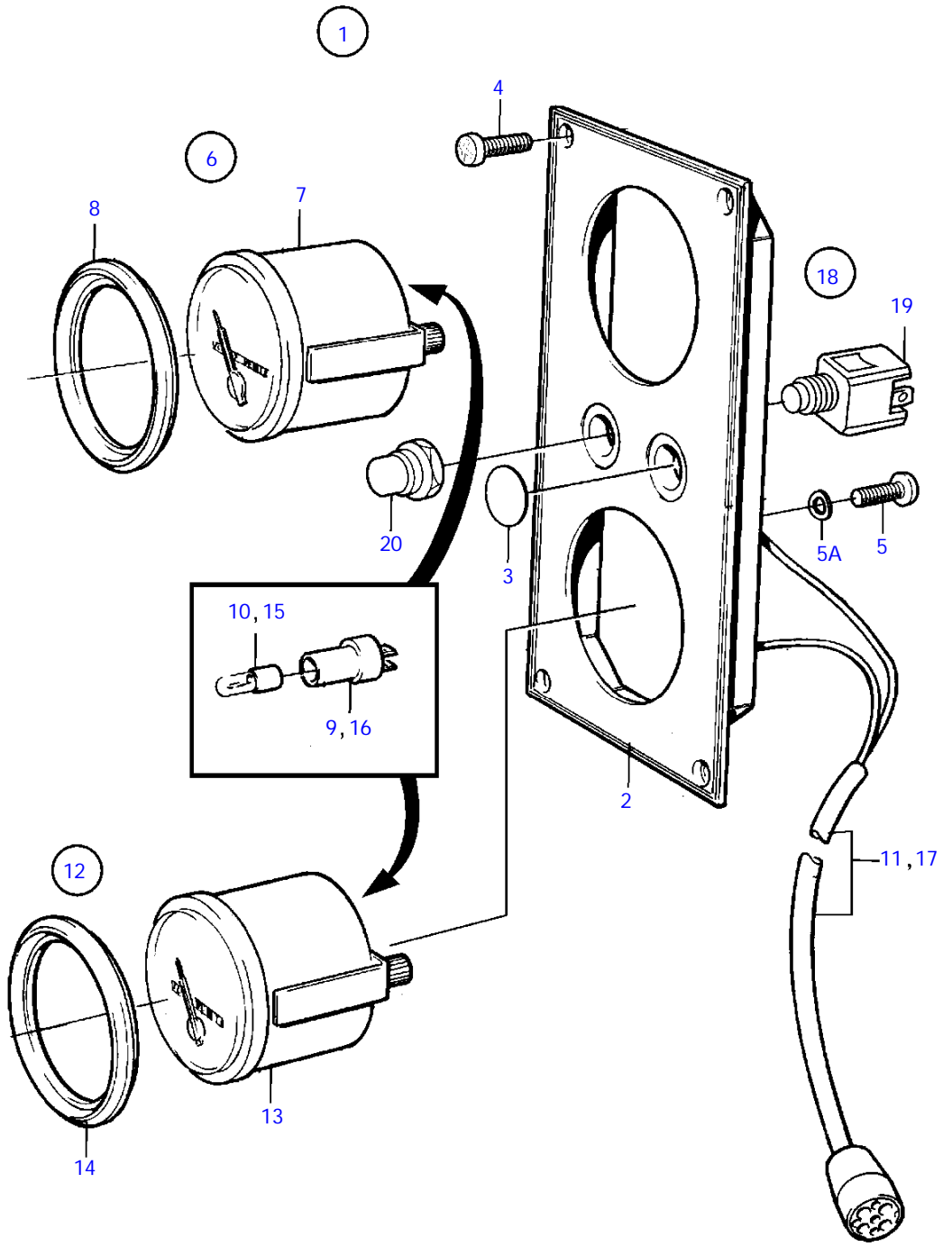
REF	PART NO.	QTY	DESCRIPTION	SEE SEC.	NOTES
1	3587075	1	Instrument panel		(873591)
2	860182	1	* Instrument panel		
3	858645	1	* Symbol strip		
4	828647	4	* Screw		
5	873196	1	* Thermometer		
	873198	1	* Oil pressure gauge		
	873200	1	* Voltmeter		
6	863945	3	* Lamp socket		
7	863947	3	* Bulb		
8	858643	3	* Front ring		D=52mm
9	828803	3	* Guide ring		
10	3587072	1	* Starter switch		(864277)
11	859953	2	* Key		State key code when ordering.
			* Bulletin 49-30	49-30-EN	Key P/N 859953
12	859955	1	* Plastic nut		
13	828584	1	* Toggle switch		Test alarm
	828585	1	* Toggle switch		Instr. light
14	828586	2	* Nut		
15	828587	1	* Buzzer		
16	858795	1	* Protecting casing		
17	873737	1	* Electronic unit		(873209)
18	828784	1	* Reflector		
19	828818	4	* Bulb		24V
20	941904	2	* Spring washer		
21	(941615)	2	* Cross recessed screw		Obsolete part
22	873207	3	* Brace kit		
23		6	* Nut		
24	873208	1	* Brace kit		
25		2	* Nut		
26	941904	1	* Spring washer		
27	949947	1	* Cross recessed screw		
28	828646	1	* Cable trunk		
29	874496	1	Tachometer kit		
30	874096	1	* Cable		
31	874496	1	* Tachometer kit		2600 rpm
32	863947	1	* Bulb		24V
33	863945	1	* Lamp socket		
34	873232	1	* O-ring		
	883232	1	* Carton		
35	873683	1	* Ring		



D2-75A

REF	PART NO.	QTY	DESCRIPTION	NOTES
1	(858873)	1	Instrument panel	For instruments with D=52mm., Obsolete part
1A	(858649)	1	* Instrument panel	Obsolete part, Replaced by 858873
2	828607	2	* Cover plate	
3	949666	1	* Cable tie	
4	949947	1	* Cross recessed screw	
5	941904	1	* Spring washer	
6	828647	4	* Screw	

D2-75A

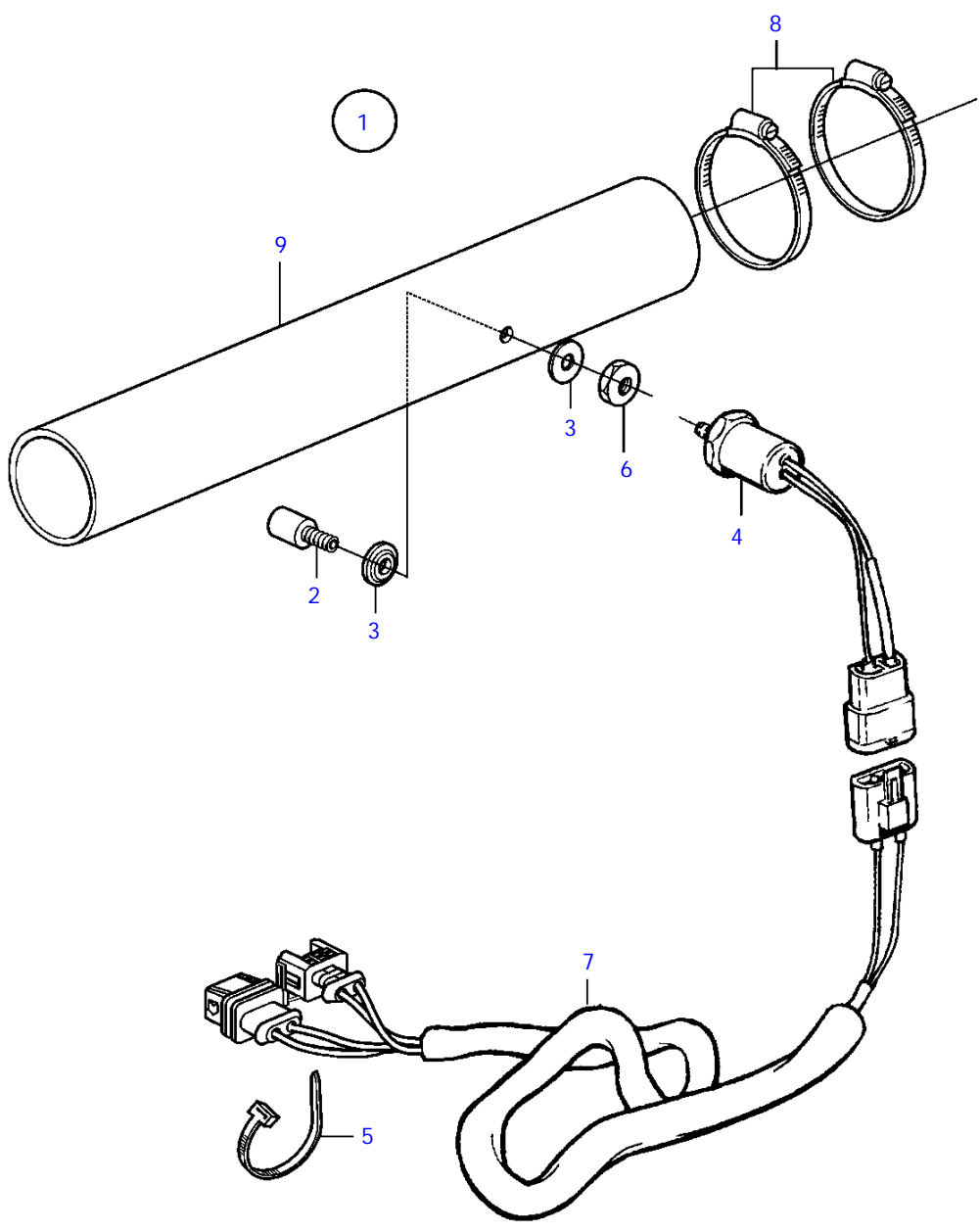


18577

D2-75A

REF	PART NO.	QTY	DESCRIPTION	SEE SEC.	NOTES
1	(858874)	1	Instrument panel		For instruments with D=52mm., Obsolete part
2		1	* Instrument panel		
3	828607	2	* Cover plate		
4	828647	4	* Screw		
5	949947	1	* Cross recessed screw		
5A	941904	1	* Spring washer		
6	(1140464)	1	Hour recorder		Obsolete part
7	872479	1	* Hour recorder		
8	858643	1	* Front ring		
9	808175	1	* Lamp socket		
10	19923	1	* Bulb		
11		X	* electrical materials	1963	
12	(858878)	1	Voltmeter kit		Obsolete part
13	873199	1	* Voltmeter		
14	858643	1	* Front ring		
15	19923	1	* Bulb		
16	808175	1	* Lamp socket		
17		X	* electrical materials	1963	
18	(828718)	1	Toggle switch		Spring loaded., Obsolete part
	(828719)	1	Toggle switch		On/Off, Obsolete part
19	828584	1	* Toggle switch		For 828718
	828585	1	* Toggle switch		For 828719
20	828586	1	* Nut		

D2-75A

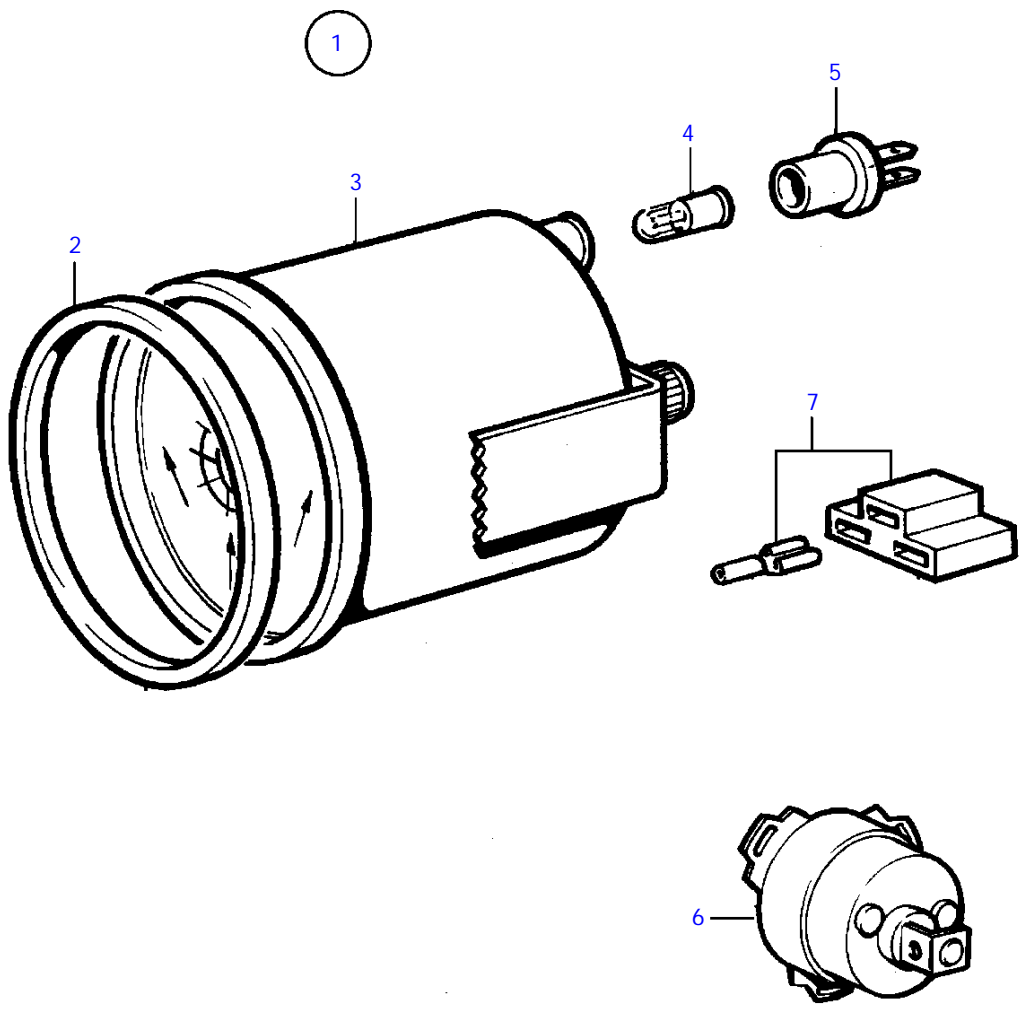


18978

D2-75A

REF	PART NO.	QTY	DESCRIPTION	SEE SEC.	NOTES
1	877773	1	Exhaust temperature		(828762)
2	828749	1	* Sensor		
3	828776	2	* Washer		
4	828761	1	* Thermo monitor		80°C
5	948211	5	* Cable tie		
6	828750	1	* Nut		
7	828813	1	* Cable trunk * * cables and terminals	1963	
8	961671	X	Hose clamp		
9	1140665	X	Exhaust hose		

D2-75A

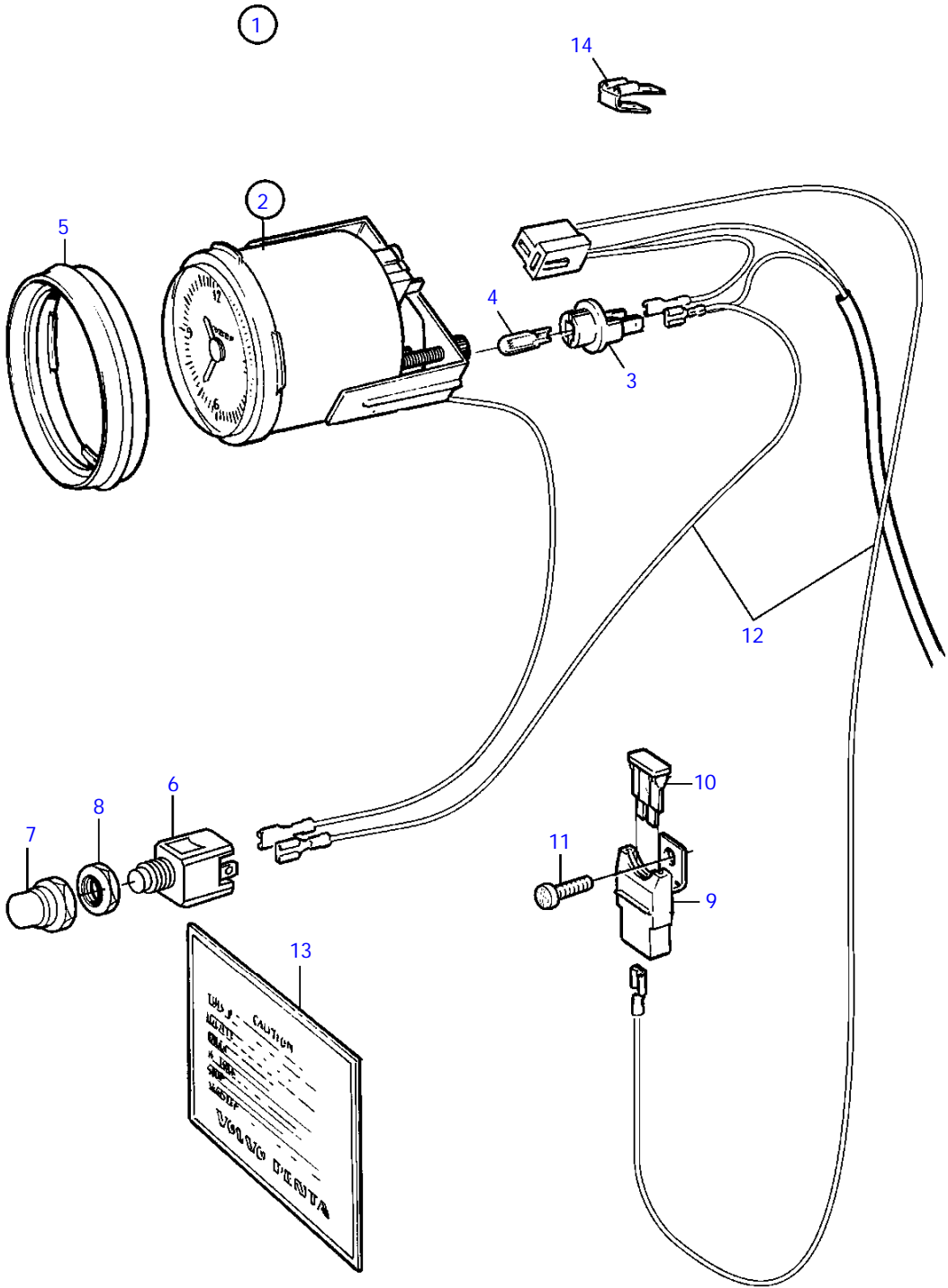


18581

D2-75A

REF	PART NO.	QTY	DESCRIPTION	SEE SEC.	NOTES
1	1140465	1	Rudder indicator kit		
2	858643	1	• Front ring		
3	863944	1	• Rudder indicator		
4	863946	1	• • Bulb		
5	863945	1	• • Lamp socket		For instrument 828698 should white bulb 19923 and socket 808175 be mounted.
6	837772	1	• Position sensor		
7		X	• electrical materials	1963	

D2-75A



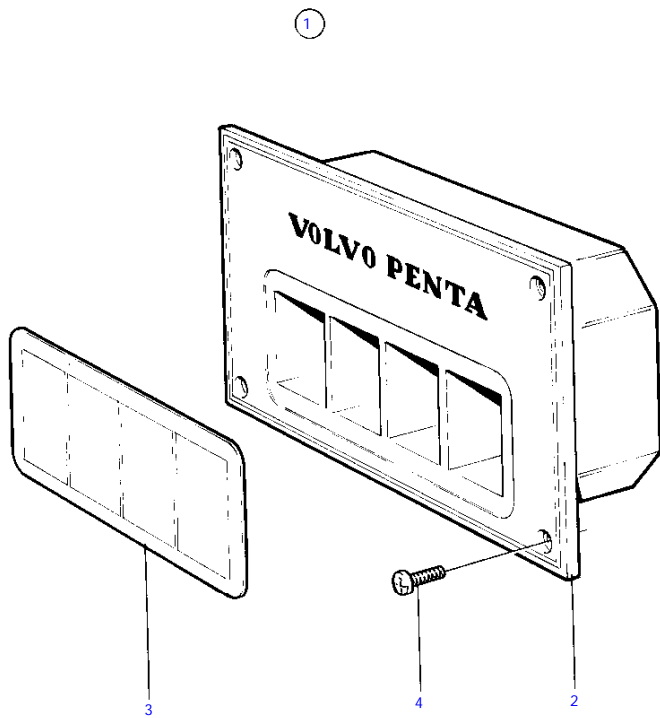
18576

D2-75A

REF	PART NO.	QTY	DESCRIPTION	NOTES
1	1140597	1	Clock kit	
2	856814	1	* Clock	
3	863945	1	* • Lamp socket	
4	863946	1	* • Bulb	
5	858643	1	* Front ring	
6	828584	1	* Toggle switch	
7	828586	1	* Nut	
8	872407	1	* Hexagon nut	
9	1323312	1	* Insulator	
10	981405	1	* Fuse	
11	972070	1	* 6 point socket screw	3A (969115)
12	872492	1	* Cable kit	
13	841242	1	* Label	
14	943950	1	* Switch	



D2-75A

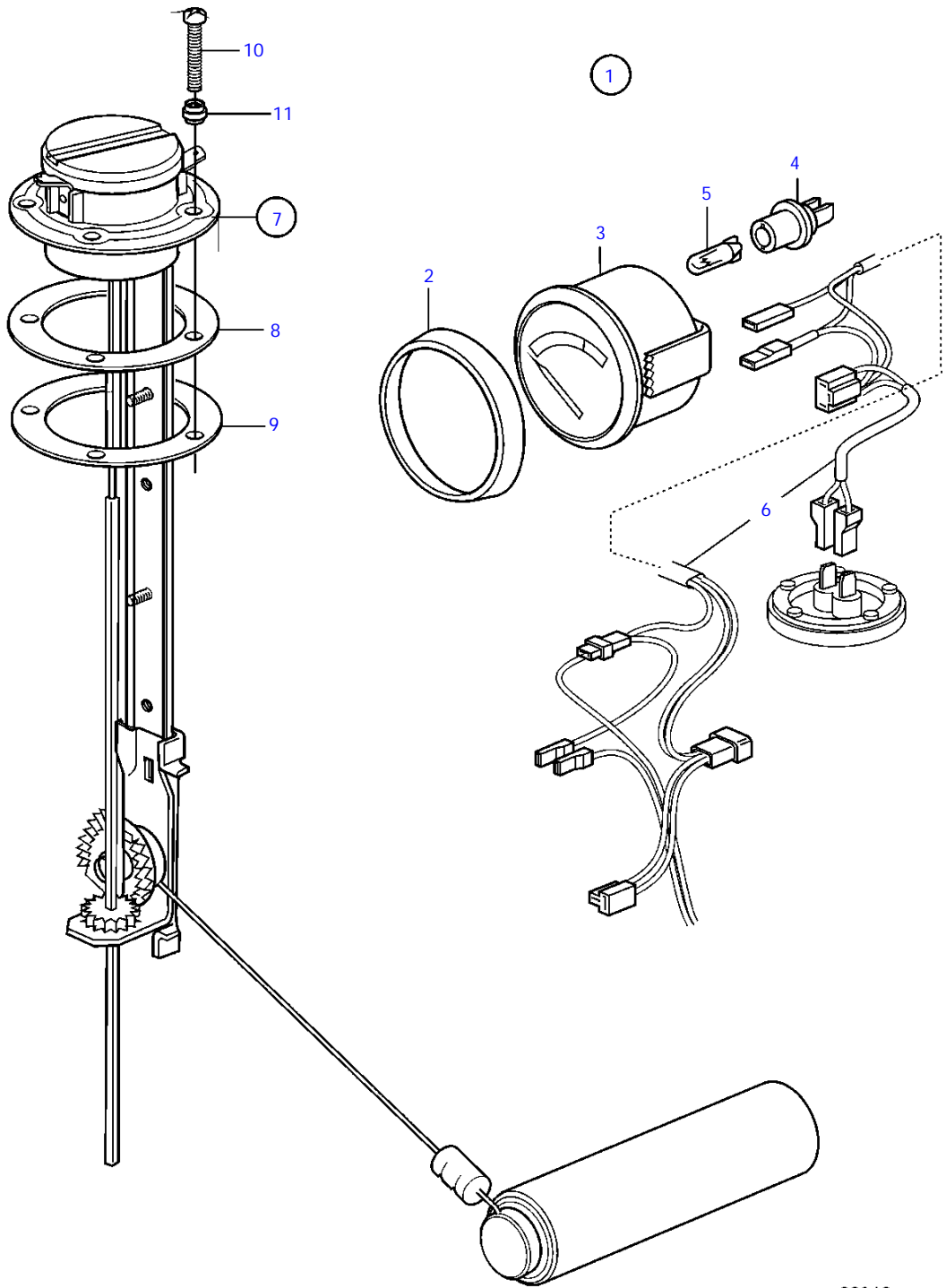


6710

D2-75A

REF	PART NO.	QTY	DESCRIPTION
1	858876	1	Symbol panel
2		1	* Symbol panel
3	858645	1	* Symbol strip
4	828647	4	* Screw

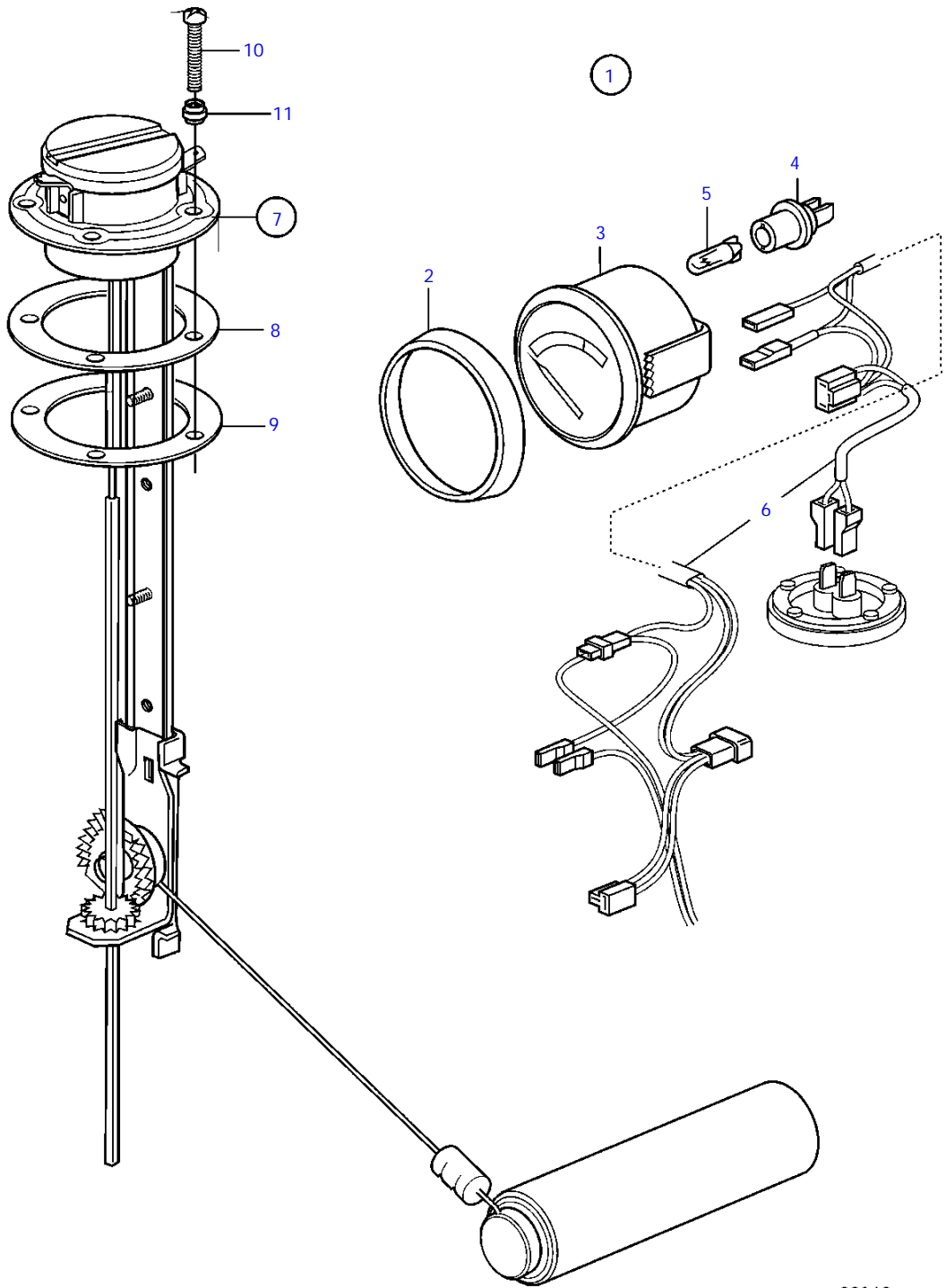
D2-75A



22912

D2-75A

REF	PART NO.	QTY	DESCRIPTION	NOTES
1	873808	1	Fuel gauge	12V (858879)
2	858643	1	* Front ring	
3	863940	1	* Fuel gauge	
4	863945	1	* • Lamp socket	Use white bulb 19923 and socket 808175 for earlier gauges.
5	863946	1	* • Bulb	Use white bulb 19923 and socket 808175 for earlier gauges., 12V, 1,2W red
6	856867	1	* Cable kit	
7	873772	1	* Tank sensor	(837999)
8	89865	1	* • Gasket	
9	834480	1	* • Flange	
10	969407	4	* • 6 point socket screw	(956078)
	969409	1	* • 6 point socket screw	
11	834481	5	* • Gasket	

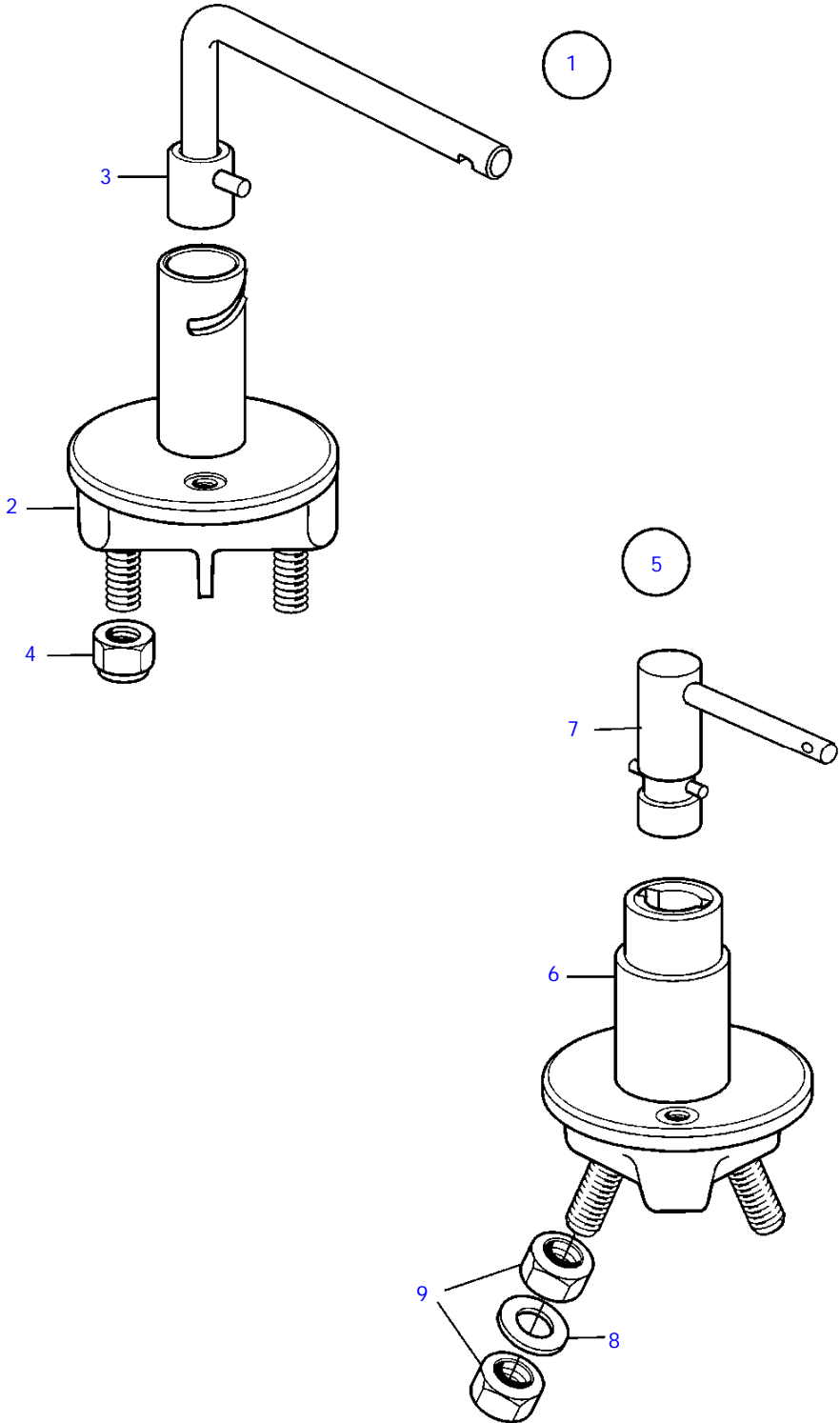


22912

D2-75A

REF	PART NO.	QTY	DESCRIPTION	NOTES
1	(1140462)	1	Water level gauge ki	12V (858881), Obsolete part
2	858643	1	* Front ring	
3	863942	1	* Water level gauge	
4	863945	1	* • Lamp socket	Use white bulb 19923 and socket 808175 for earlier gauges.
5	863946	1	* • Bulb	Use white bulb 19923 and socket 808175 for earlier gauges., 12V, 1,2W red
6		1	* Cable kit	
7	834389	1	* Tank sensor	
8	89865	1	* • Gasket	
9	834480	1	* • Flange	
10	969407	4	* • 6 point socket screw	(956078)
	969409	1	* • 6 point socket screw	
11	834481	5	* • Gasket	

D2-75A, D2-75B, D2-75C, D2-75F



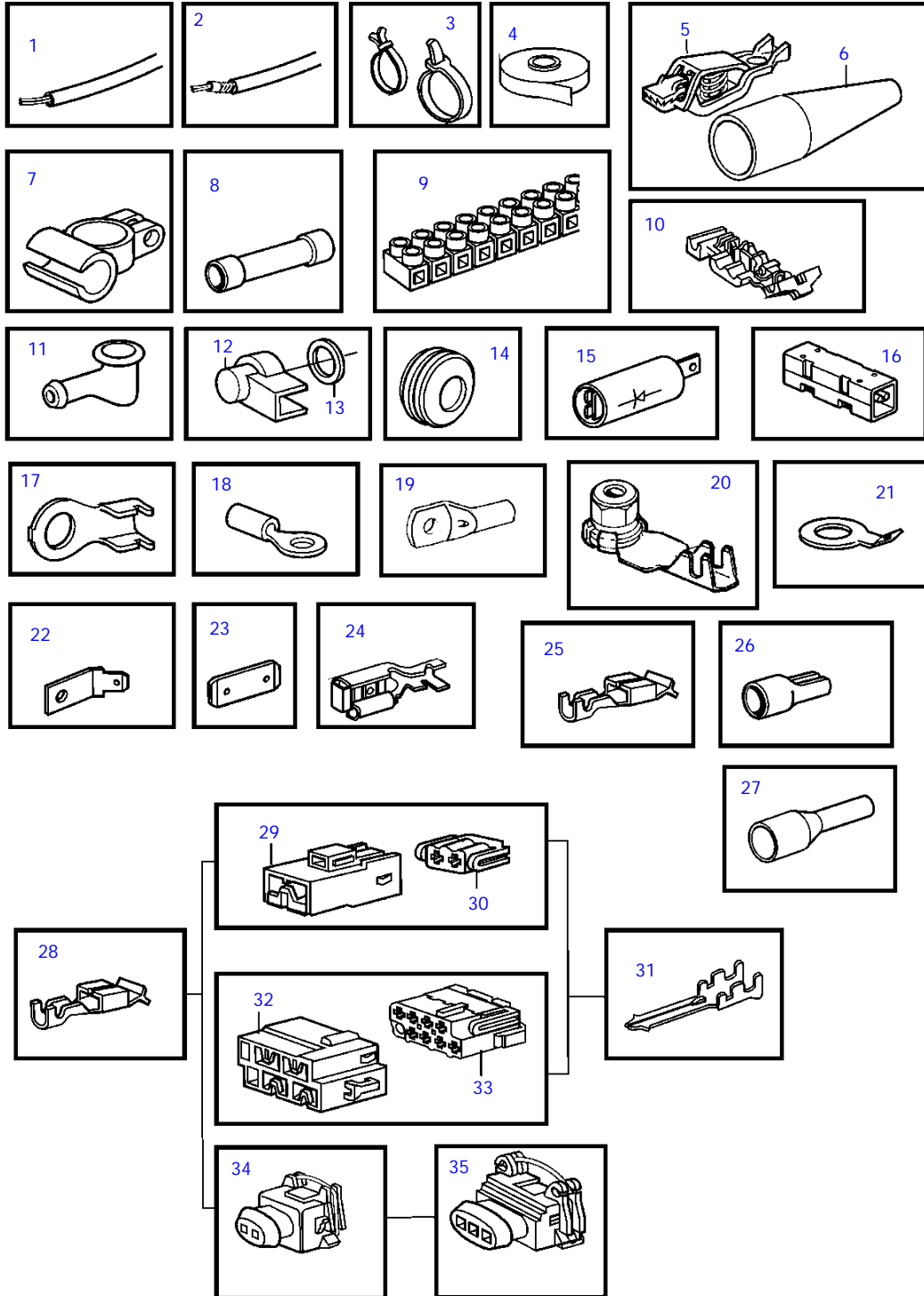
18584



D2-75A, D2-75B, D2-75C, D2-75F

REF	PART NO.	QTY	DESCRIPTION	NOTES
1	870980	1	Main switch	Replaced by 1140319
2		1	* Switch	
3	243700	1	* Handle	Replaced by 1140319
4	971071	2	* Hexagon nut	
5	1140319	1	Battery main switch	
6		1	* Switch	
7	1140427	1	* Cock handle	
8	1140428	2	* Washer	
9	17602	4	* Hexagon nut	

D2-75A, D2-75B, D2-75C, D2-75F

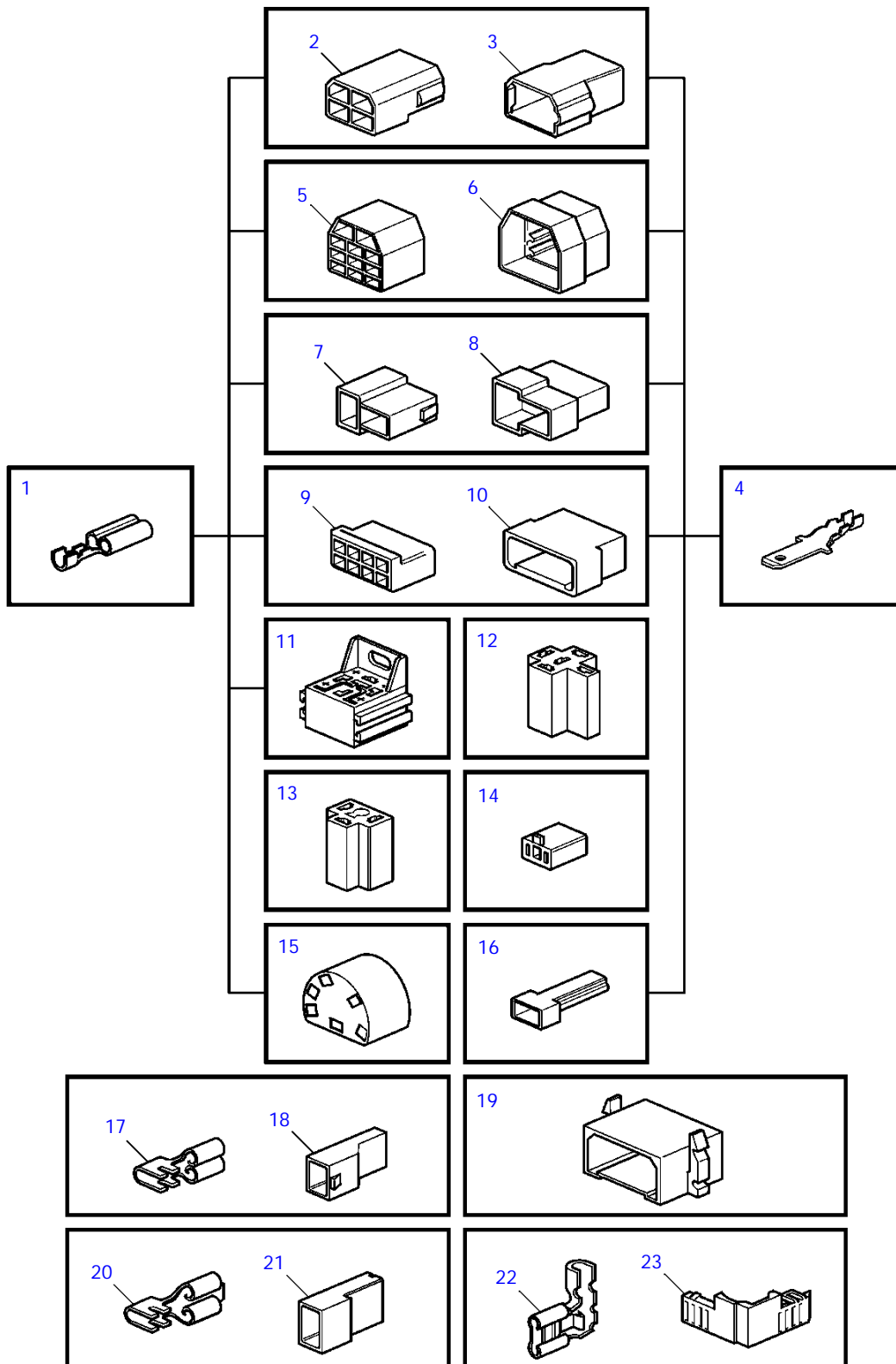


18567

D2-75A, D2-75B, D2-75C, D2-75F

REF	PART NO.	DESCRIPTION	NOTES
1	970624	Electric cable, type RK	1,5mm ² , black
	970626	Electric cable, type RK	1,5mm ² , red
	970661	Electric cable, type R2	1,5mm ² , red
	(970663)	Electric cable, type R2	Obsolete part, 2,5mm ² , black
	970698	Electric cable, type R2	2,5mm ² , red
	970700	Electric cable, type RK	4,0mm ² , black
	(970709)	Electric cable, type RK	Obsolete part, 6,0mm ² , black
	970711	Electric cable, type R2	6,0mm ² , red
	954485	Electric cable, type RK	16,0mm ² , red
	(954500)	Electric cable, type RK	Obsolete part, 25,0mm ² , red
	954502	Electric cable, type RK	35,0mm ² , red
2	874854	Power cable	Non reinforced ship cable approved by classification societies., 2x1,5mm ²
	(863657)	Cable	Obsolete part, Reinforced ship cable approved by classification societies., 4,0mm ² , red
	874855	Power cable	Non reinforced ship cable approved by classification societies., 2x2,5mm ²
	(842092)	Cable	Obsolete part, Non reinforced ship cable approved by classification societies., 3x1,5mm ²
	(874858)	Power cable	Obsolete part, Non reinforced ship cable approved by classification societies., 6,0mm ² , black
	(842090)	Cable	Obsolete part, Non reinforced ship cable approved by classification societies., 16,0mm ² , red
	874861	Power cable	Non reinforced ship cable approved by classification societies., 25,0mm ² , red
	874862	Power cable	Non reinforced ship cable approved by classification societies., 35,0mm ² , red
	846639	Electric cable	Non reinforced ship cable approved by classification societies., 2x1,5mm ²
	874870	Power cable	Non reinforced ship cable approved by classification societies., 2x1,5mm ²
	872679	Wiring harness	(846346)
	872939	Adapter	(846346)
	(874346)	Electric cable	Obsolete part, Reinforced ship cable approved by classification societies., RFOU 0,6/1kv
3	948211	Cable tie	3x1,5mm ²
	949666	Cable tie, with mount. Hole	3x4,0mm ²
	948616	Cable tie	3x6,0mm ²
	862832	Cable tie, steel	4x1,5mm ²
4	858283	Tape	4x2,5mm ²
5	844280	Clip, battery cable +pole	16x1,5mm ²
6	(844278)	Isolation	Obsolete part, Red
	(844279)	Isolation	Obsolete part, Black
7	954505	Cable terminal, battery cable -pole	D=77mm L=280mm
	954506	Cable terminal, battery cable +pole	D=42mm L=170mm
8	956956	Splice	D=102mm L=362mm
	956958	Splice	1,5-2,5mm ² , blue
	956960	Splice	L=61mm
9	926219	Coupling piece	Black
10	944306	Connector	Blue
11	829200	Protective cap	0,5-1,0mm ² , red
12	(1234326)	Protecting casing	Obsolete part, 1,5-2,5mm ² , blue
13	960140	Washer	3-6mm ² , yellow
14	941269	Plug	Max 20mm ² , 12-pole
	821053	Protecting bushing	I.D=35mm
	943920	Plug	I.D=40mm
15		Diode	
16		Diode	
17	970788	Cable terminal	M5x1,1-2,5mm ²
	970789	Cable terminal	M6x1,1-2,5mm ²
	(970791)	Cable terminal	Obsolete part, M10x1,1-2,5mm ²
18	881492	Cable terminal	M4x1,1-2,5mm ²
	881493	Cable terminal	M5x1,1-2,5mm ²
	881508	Cable terminal	M6x1,1-2,5mm ²
	881494	Cable terminal	M8x1,1-2,5mm ²
	881504	Cable terminal	M10x1,1-2,5mm ²
	881506	Cable terminal	M4x2,6-6,0mm ²
	881495	Cable terminal	M5x2,6-6,0mm ²
	881496	Cable terminal	M6x2,6-6,0mm ²
	881497	Cable terminal	M8x2,6-6,0mm ²
	881498	Cable terminal	M10x2,6-6,0mm ²
	940331	Cable terminal	M5x6,1-10,0mm ²
	940332	Cable terminal	M6x6,1-10,0mm ²
	940333	Cable terminal	M8x6,1-10,0mm ²
	(940334)	Cable terminal	Obsolete part, M10x6,1-10,0mm ²
	881512	Cable terminal	M5x10,1-16,0mm ²
	940335	Cable terminal	M6x10,1-16,0mm ²
	940336	Cable terminal	M8x10,1-16,0mm ²
	940337	Cable terminal	M10x10,1-16,0mm ²
19	949587	Cable terminal	M10x10mm ²
20	8140576	Nut	M4
21	865758	Cable terminal	I.D=12,5 D=23mm
22	944485	Cable terminal	6,3xM5x180
23	839328	Tab	16,3x6,3x0,8
24	881491	Cable terminal	6,3x0,75-2,1mm ²
25	853015	Cable terminal	For trim instrument., For 853866, Yasaki
26	942429	Cable terminal	For 853866, Yasaki
27	3829867	Cable terminal	
	3829868	Cable terminal	
28	970777	Cable terminal	
29	968377	Housing	2,8x2 natural
	968379	Housing	2,8x2 gray
30	968376	Housing	4,8/2,8x2 natural
	968378	Housing	4,8/2,8x2 gray
31	974313	Cable terminal	2,8x0,8x1,1-2,5mm ²
32	968401	Housing	2,8x8 natural
33	968400	Housing	4,8/2,8x8 natural
34	976256	Housing	2-pole
35	967713	Housing	3-pole

D2-75A, D2-75B, D2-75C, D2-75F

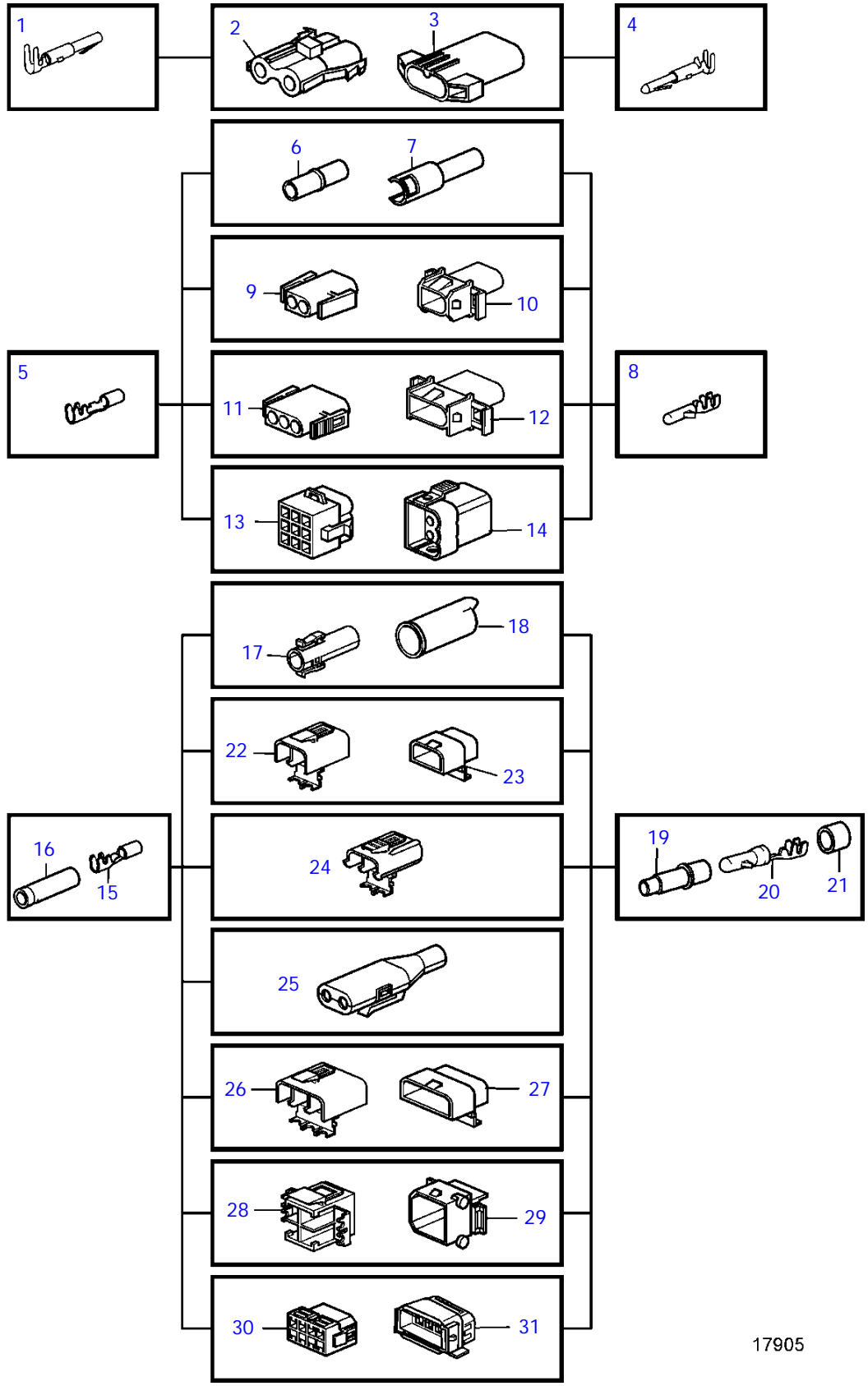


15819

D2-75A, D2-75B, D2-75C, D2-75F

REF	PART NO.	DESCRIPTION	NOTES
1	973150	Cable terminal	6,3x0,8x1,1-2,5mm ²
	949206	Cable terminal	6,3x0,8x4,0-6,0mm ²
2	948856	Housing	6,3x4 natural
3	948855	Housing	6,3x4 natural
4	973117	Cable terminal	6,3x0,8x0,5-1,0mm ²
	881487	Cable terminal	6,3x0,8x0,75-2,5mm ²
	881488	Cable terminal	6,3x0,8x4,0-6,0mm ²
5	945830	Housing	6,3x11 natural
6	945831	Tab housing	6,3x11 natural
7	958210	Housing	6,3x2 black
8	958209	Housing	6,3x2 black
9	944076	Housing	6,3x8 natural
10	948857	Housing	6,3x8 natural
11	977184	Housing	6,3x5x4,8/2,8x4
12	1214948	Housing	6,3x5 black
13	945469	Housing	6,3x3 black
14	1578937	Housing	6,3x2 natural
15	828624	Receptacle housing	6,3x6
16		Housing	6,3x1 black
17	949405	Cable terminal	4,8x1,1-2,5mm ²
18	947848	Housing	4,8x1 natural
19	944077	Housing	6,3x8 natural
20	881483	Cable terminal	6,3x0,8x1,1-2,5mm ²
	881484	Cable terminal	6,3x0,8x4,0-6,0mm ²
21	949597	Housing	6,3x1 natural
	943511	Housing	6,3x1 natural
22	881489	Cable terminal	6,3x0,8x1,1-2,5
23	944221	Housing	6,3x1 natural

D2-75A, D2-75B, D2-75C, D2-75F



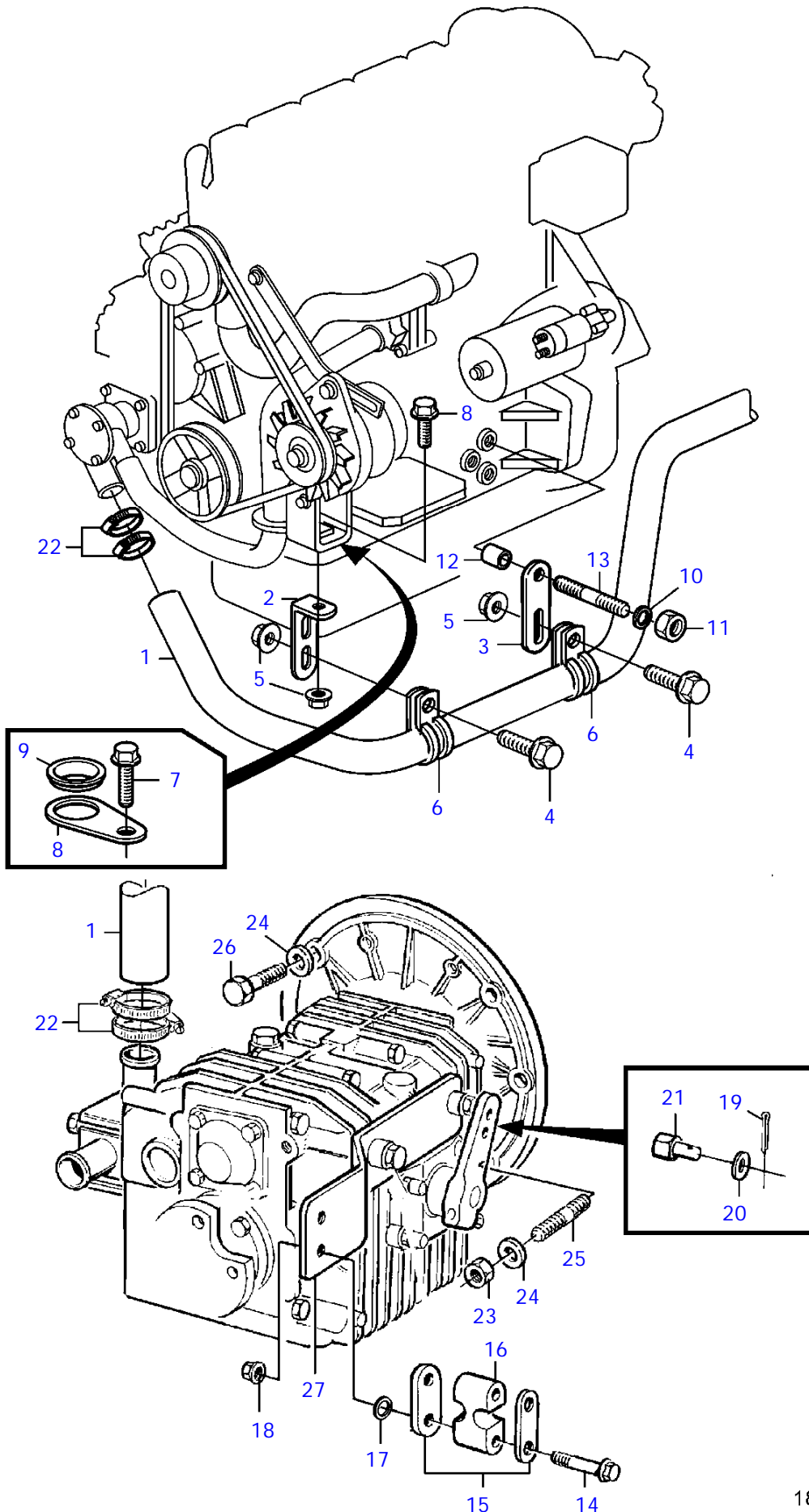
17905



D2-75A, D2-75B, D2-75C, D2-75F

REF	PART NO.	DESCRIPTION	NOTES
1	946038	Cable terminal	2,1x0,5-1mm ²
2	944224	Housing	2-pole
3	944223	Housing	2-pole
4		Cable terminal	Not marketed by Volvo Penta., 2,1x0,5-1mm ²
5	965822	Cable terminal	3,5x1,1-2,5mm ²
	948289	Cable terminal	3,5x2,5-4,0mm ²
6	949584	Housing	3,5x1 natural
7	949583	Housing	3,5x1 natural
8	969831	Cable terminal	3,5x0,5-1mm ²
	965824	Cable terminal	3,5x1,1-2,5mm ²
	965825	Cable terminal	3,5x2,6-4,0mm ²
9	948996	Housing	3,5x2 natural
10	948995	Housing	3,5x2 natural
11	948296	Housing	3,5x3 natural
12	948297	Housing	3,5x3 natural
13	948294	Housing	3,5x9 natural
14	948295	Housing	3,5x9 natural
15	949371	Cable terminal	3,5x0,75-1,5mm ²
	1598753	Insulator	3,5x2,5-4,5mm ²
16	1598753	Insulator	
17	1307035	Housing	1-pole
18	1308436	Housing	1-pole
19	1608765	Insulator	
20	965824	Cable terminal	3,5x2,5-4,5mm ²
21	1608766	Seal	
22	1307048	Housing	2-pole
23	1307049	Housing	2-pole
24	970753	Housing	2-pole
25	1624477	Housing	2-pole
26	1259828	Housing	3-pole
27	3523442	Pin housing	3-polig (1259829)
28	1259830	Housing	4-pole
29	1259831	Housing	4-pole
30	966812	Housing	8-pole
31	967809	Housing	8-pole

D2-75A, D2-75B, D2-75C, D2-75F

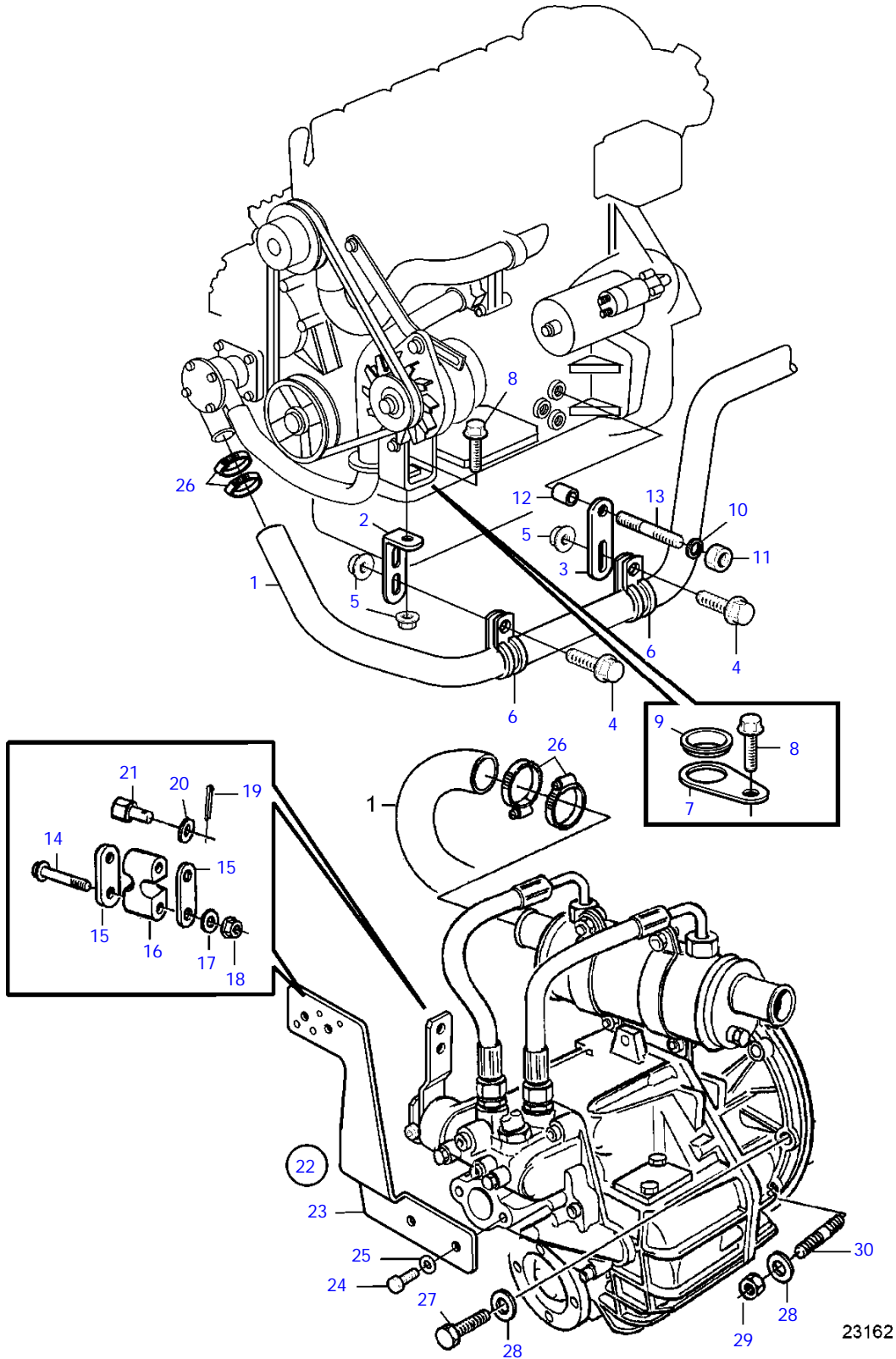


18967

D2-75A, D2-75B, D2-75C, D2-75F

REF	PART NO.	QTY	DESCRIPTION	NOTES
1	3583077	1	Hose	For MS25L-A and MS25A-A
2	965555	1	Bracket	
3	965535	1	Bracket	
4	946440	2	Flange screw	
5	945408	3	Flange nut	
6	949850	2	Clamp	
7	946671	1	Flange screw	
8	3580250	1	Stay	
9	3580251	1	Grommet	
10	845988	1	Spacer sleeve	
11	3583789	1	Nut	
12	3582401	1	Adapler	
13	924083	1	Stud	
14	969439	2	6 point socket screw	
15	872076	2	Washer	
16	872074	1	Retainer	
17	940090	2	Washer	
18	949874	1	Flange lock nut	
19	17276	1	Split pin	
20	941906	1	Spring washer	
21	3852329	1	Cube	
22	943476	4	Hose clamp	
23	940157	3	Hexagon nut	
24	955896	6	Washer	
25	953288	3	Stud	
26	940134	3	Hexagon screw	
27		1	Bracket	See transmission catalog

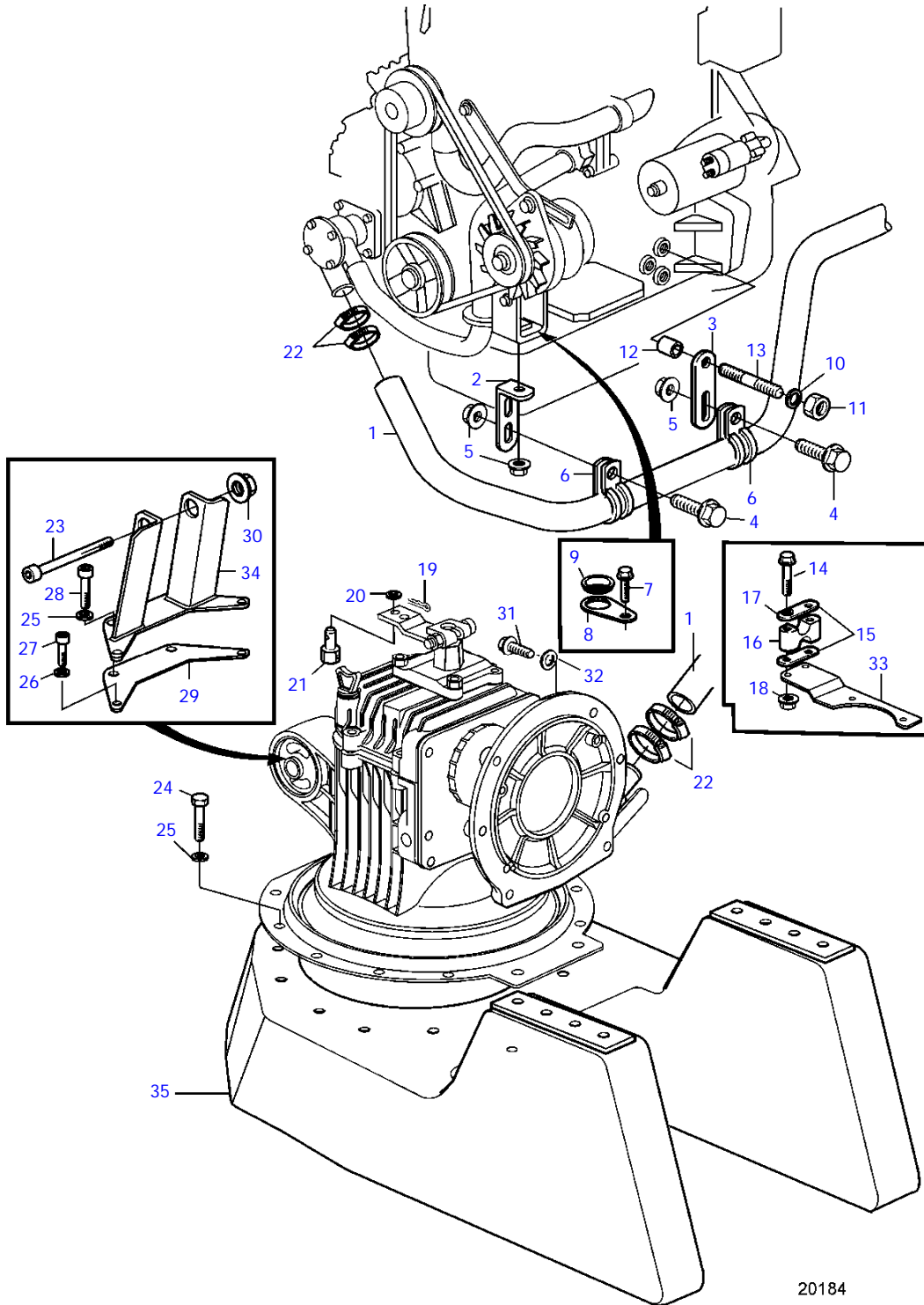
D2-75A, D2-75B, D2-75C, D2-75F



D2-75A, D2-75B, D2-75C, D2-75F

REF	PART NO.	QTY	DESCRIPTION	NOTES
1	3583367	1	Hose	For HS25A-A
2	965555	1	Bracket	
3	965535	1	Bracket	
4	946440	2	Flange screw	
5	945408	3	Flange nut	
6	949850	2	Clamp	
7	3580250	1	Stay	
8	946671	1	Flange screw	
9	3580251	1	Grommet	
10	845988	1	Spacer sleeve	
11	3583789	1	Nut	
12	3582401	1	Adapler	
13	924083	1	Stud	
14	969439	2	6 point socket screw	M5x40mm
15	872076	2	Washer	
16	872074	1	Retainer	
17	940090	2	Washer	
18	949874	1	Flange lock nut	
19	17276	1	Split pin	
20	941906	1	Spring washer	
21	3852329	1	Cube	
22	21159822	1	Bracket kit	
23	3581960	1	• Bracket	Replaced by 21159822
24	940133	2	• Hexagon screw	
25	976945	2	• Washer	
26	943476	4	Hose clamp	
27	940134	4	Hexagon screw	
28	955896	6	Washer	
29	940157	2	Hexagon nut	
30	953288	2	Stud	

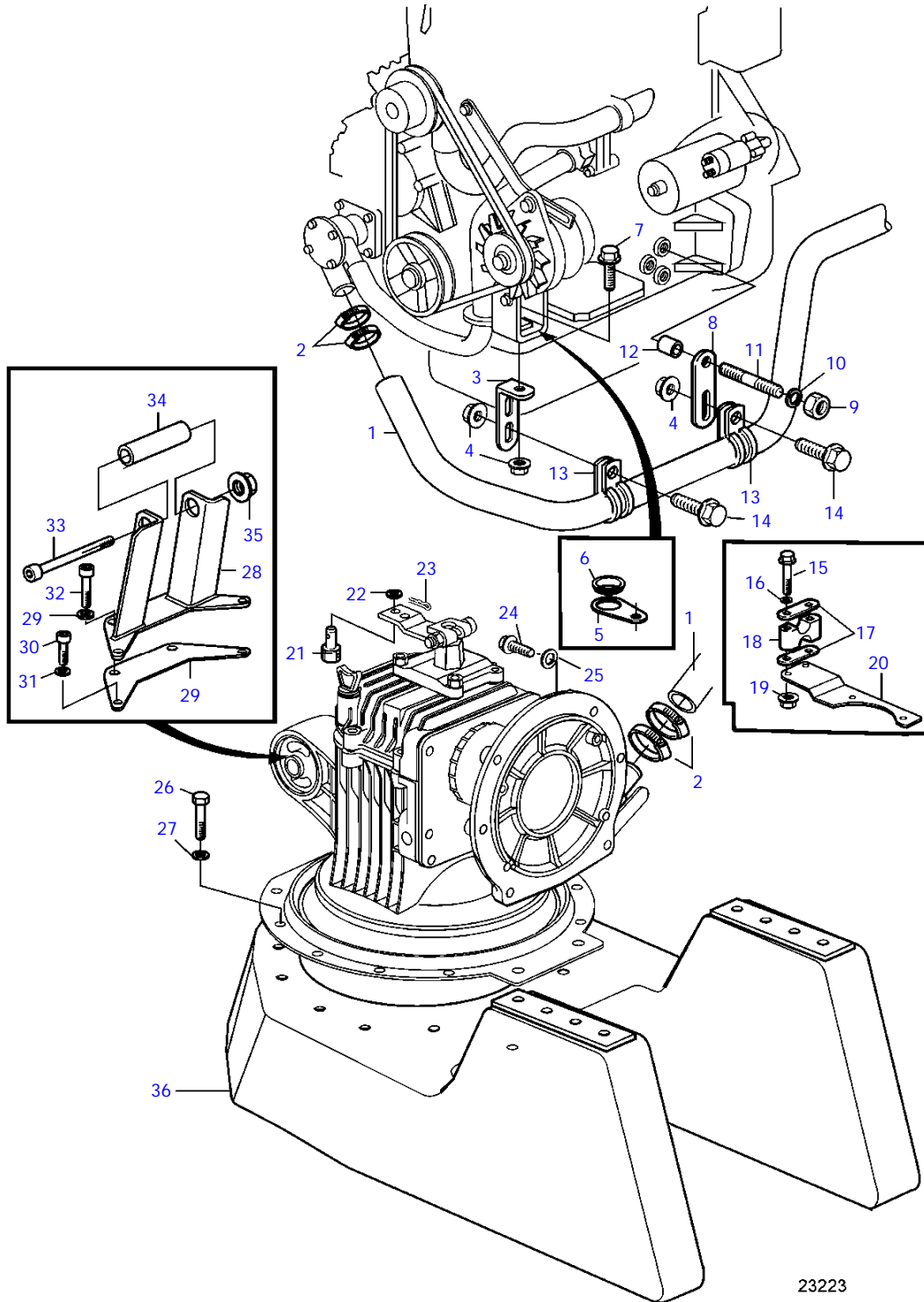
D2-75A, D2-75B, D2-75C, D2-75F



D2-75A, D2-75B, D2-75C, D2-75F

REF	PART NO.	QTY	DESCRIPTION	NOTES
1	3583076	1	Hose	For S-drive MS25S
2	965555	1	Bracket	
3	965535	1	Bracket	
4	946440	2	Flange screw	
5	945408	3	Flange nut	
6	949850	2	Clamp	
7	946671	1	Flange screw	
8	3580250	1	Stay	
9	3580251	1	Grommet	
10	845988	1	Spacer sleeve	
11	3583789	1	Nut	
12	3582401	1	Adapter	
13	924083	1	Stud	
14	969439	2	6 point socket screw	
15	872076	2	Washer	
16	872074	1	Retainer	
17	940090	2	Washer	
18	949874	1	Flange lock nut	
19	17276	1	Split pin	
20	941906	1	Spring washer	
21	3852329	1	Cube	
22	961669	4	Hose clamp	
23		1	Hex. socket screw	
24	946730	8	Hexagon screw	
25	941670	10	Washer	
26	853095	2	Washer	
27		2	Hex. socket screw	
28	963568	2	Hexagon screw	
29	3581556	1	Spacer washer	
30		1	Lock nut	
31	940160	4	Hexagon screw	
32	955896	4	Washer	
33		1	Bracket	See transmission catalog
34	3581160	1	Bracket	Replaced by 3841849
	3841849	1	Bracket	
35	3842285	1	Engine bed	

D2-75A, D2-75B, D2-75C, D2-75F

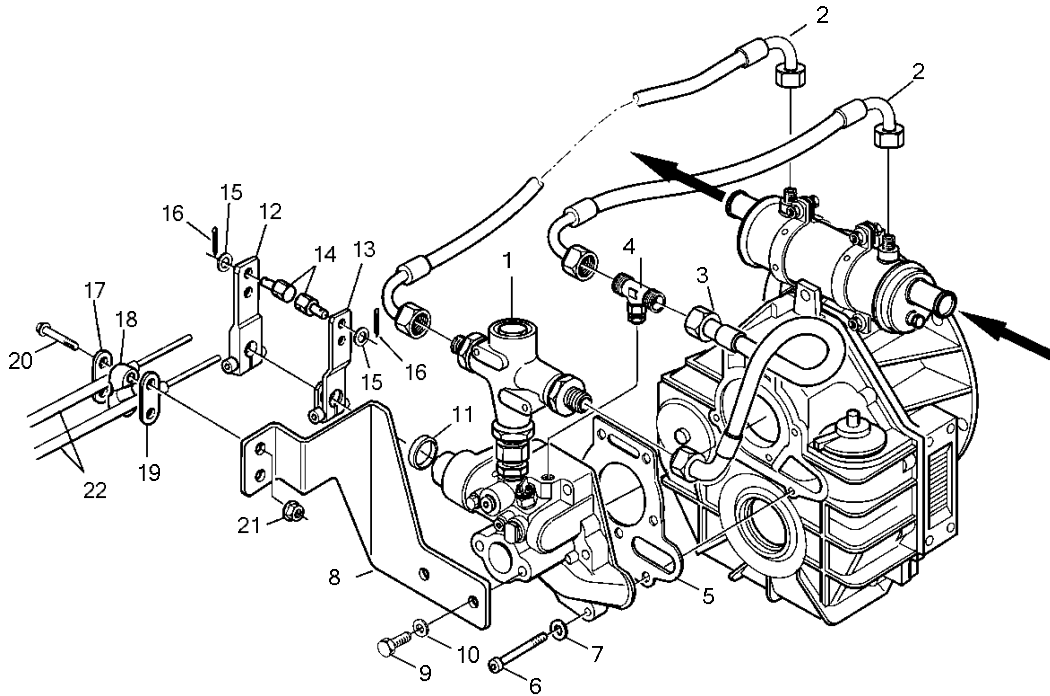


23223

D2-75A, D2-75B, D2-75C, D2-75F

REF	PART NO.	QTY	DESCRIPTION	NOTES
1	3584417	1	Hose	For S-drive 150S/SR.
2	961669	2	Hose clamp	
3	965555	1	Bracket	
4	945408	3	Flange nut	
5		1	Stay	
6		1	Grommet	
7	946671	1	Flange screw	
8	965535	1	Bracket	
9	3583789	1	Nut	
10		1	Washer	
11	924083	1	Stud	
12	3582401	1	Adapter	
13	949850	2	Clamp	
14	946440	2	Flange screw	
15	969439	2	6 point socket screw	
16	940090	2	Washer	
17	872076	2	Washer	
18	872074	2	Retainer	
19	949874	2	Flange lock nut	(946577)
20		1	Bracket	See transmission catalog
21	3852329	1	Cube	
22	941906	1	Spring washer	
23	17276	1	Split pin	
24	940160	4	Hexagon screw	
25	955896	4	Washer	
26	946730	8	Hexagon screw	
27	941670	10	Washer	
28	3841849	1	Bracket	(3581160)
29	3581556	1	Spacer washer	
30	963568	2	Hexagon screw	(963708)
31	853095	2	Washer	
32	959240	2	Hex. socket screw	
33	970983	1	Hexagon screw	(959268)
34	943707	1	Hose	
35	971084	1	Lock nut	(946810)
36	3842285	1	Engine bed	(3583120)

D2-75A, D2-75B, D2-75C, D2-75F

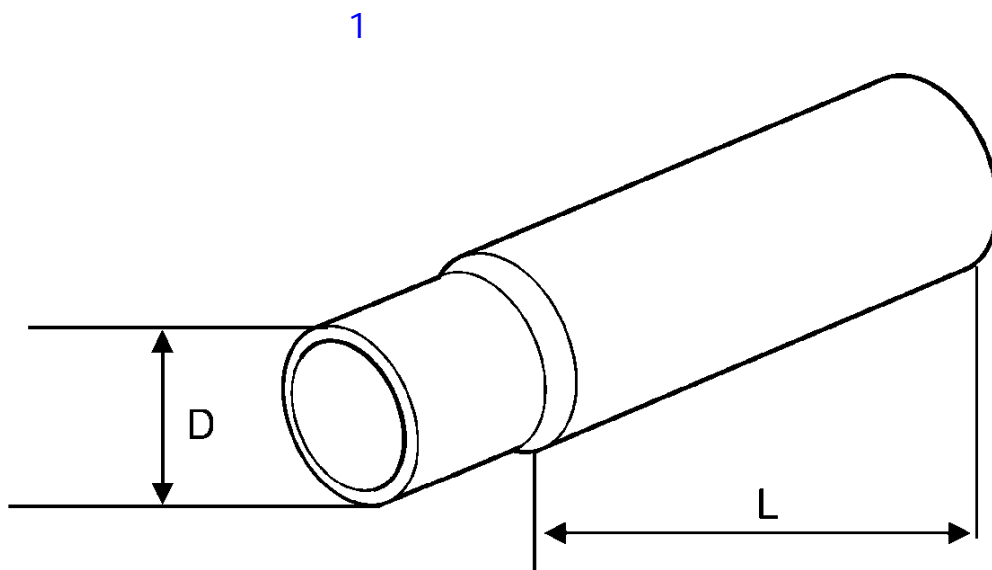


23232

D2-75A, D2-75B, D2-75C, D2-75F

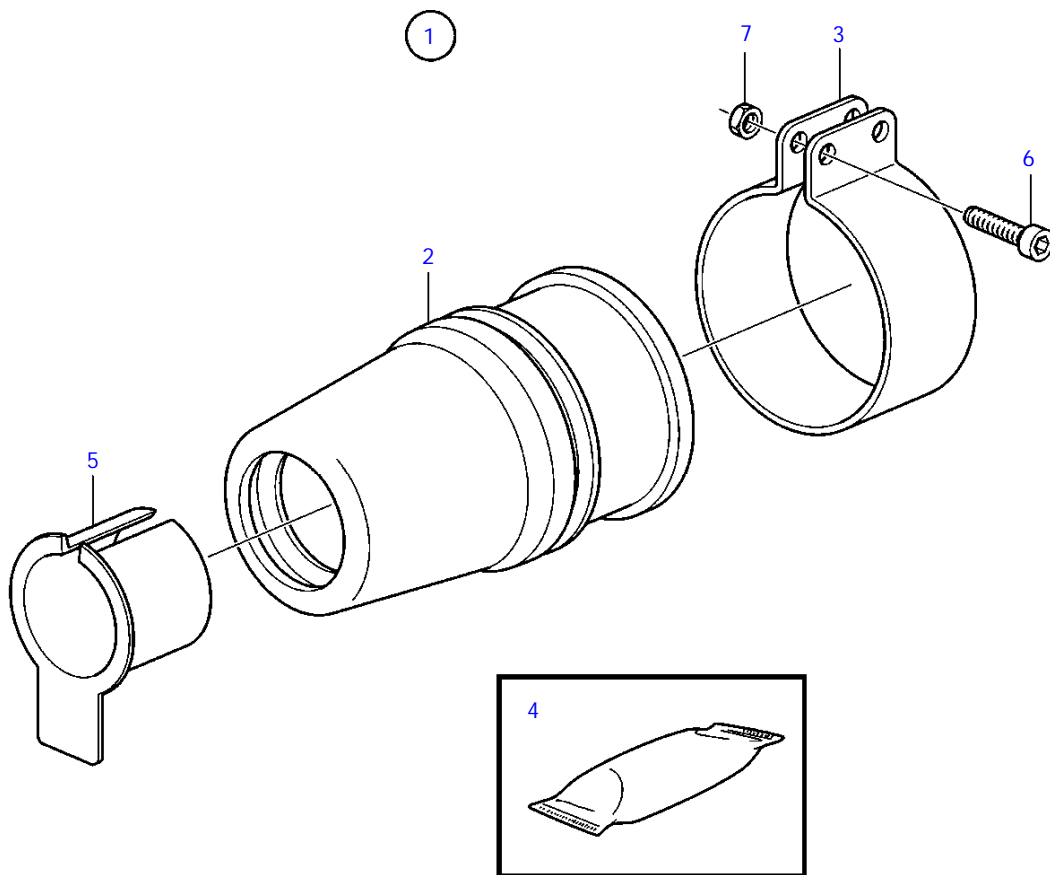
REF	PART NO.	QTY	DESCRIPTION	SEE SEC.
1	3583503	1	Thermostat housing	
2	3583496	2	Hose	
3	3583495	1	Hose	
4		1	T-nipple	
5	3582046	1	Gasket	
6	941761	7	Hex. socket screw	
7	941907	7	Spring washer	
8		1	Retainer	
9		1	Screw	
10		1	Washer	
11	3582053	1	Piston rod seal	
12	3582220	1	Engagement lever	
13	3582055	1	Lever fork	
14	814082	2	Cube	
15	940090	2	Washer	
16	17276	2	Split pin	
17	819068	1	Washer	
18	872074	1	Retainer	
19	872076	1	Washer	
20	969439	2	6 point socket screw	
21	949874	2	Flange lock nut	
22			Control cable	231

D2-75A, D2-75B, D2-75C, D2-75F



8498

D2-75A, D2-75B, D2-75C, D2-75F

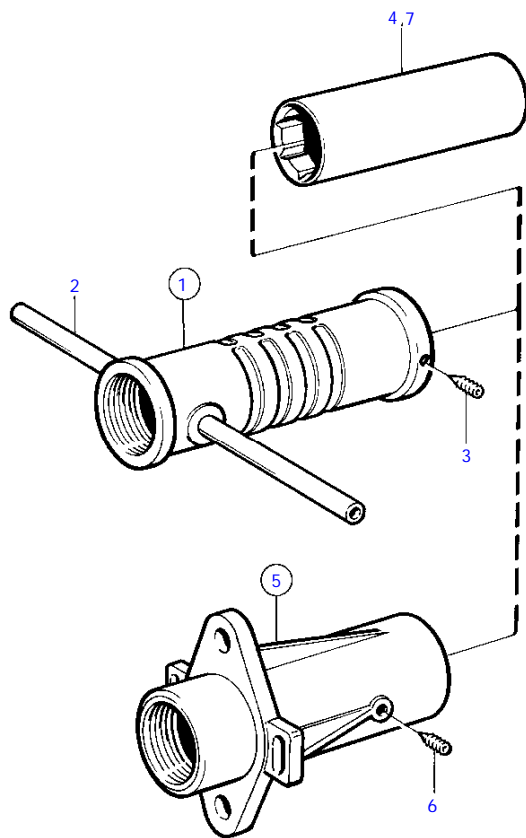


6147

D2-75A, D2-75B, D2-75C, D2-75F

REF	PART NO.	QTY	DESCRIPTION	SEE SEC.	NOTES
1	828254	1	Sealing		D=25mm
			* Bulletin P-44-6-1	P-44-6-1-EN	Rubber Stuffing Box
1	828422		Sealing		D=30mm
			* Bulletin P-44-6-1	P-44-6-1-EN	Rubber Stuffing Box
2		1	* Sealing sleeve		
3	828142	1	* Clamp		
	828418	1	* Clamp		
4	828250	1	* Lubricating grease		
			* Bulletin P-18-4-6	P-18-4-6-EN	Water resistant grease for grease gun
5		1	* Sleeve		
6	963684	2	* Hex. socket screw		
7	966170	2	* Lock nut		

D2-75A, D2-75B, D2-75C, D2-75F

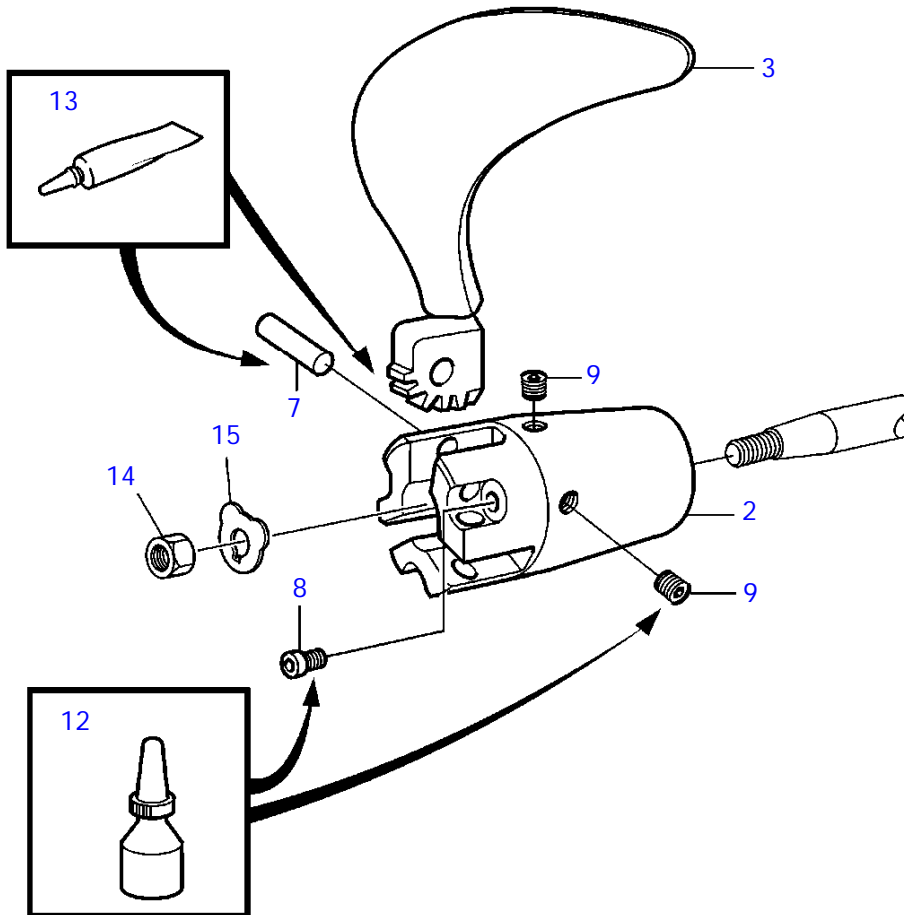
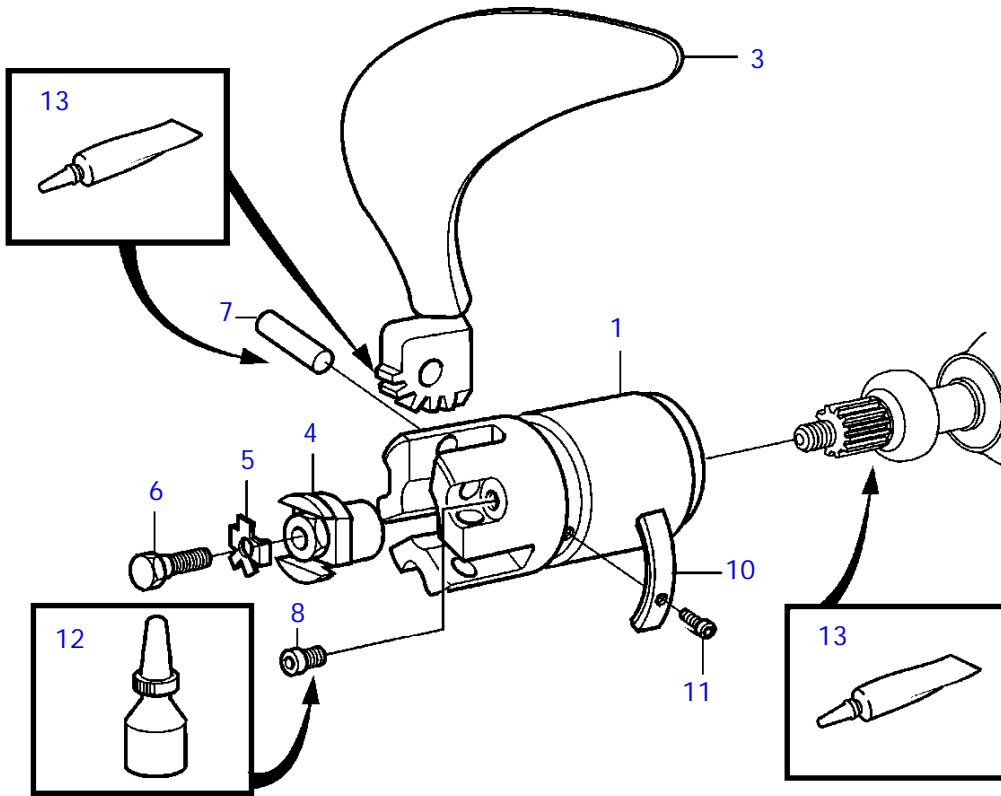


9665

D2-75A, D2-75B, D2-75C, D2-75F

REF	PART NO.	QTY	DESCRIPTION	NOTES
1	827885	1	Stern bearing	For 25mm propeller shaft.
	827886	1	Stern bearing	For 30mm propeller shaft.
2	(827734)	1	• Tube	Obsolete part
3	942609	3	• Set screw	
4	812914	1	• Rubber bearing	For 25mm propeller shaft.
	812916	1	• Rubber bearing	For 30mm propeller shaft.
5	827780	1	Stern bearing	For 25mm propeller shaft.
	827781	1	Stern bearing	For 30mm propeller shaft.
6	942609	2	• Set screw	
7	812914	1	• Rubber bearing	For 25mm propeller shaft.
	812916	1	• Rubber bearing	For 30mm propeller shaft.

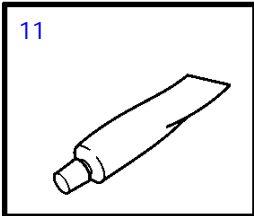
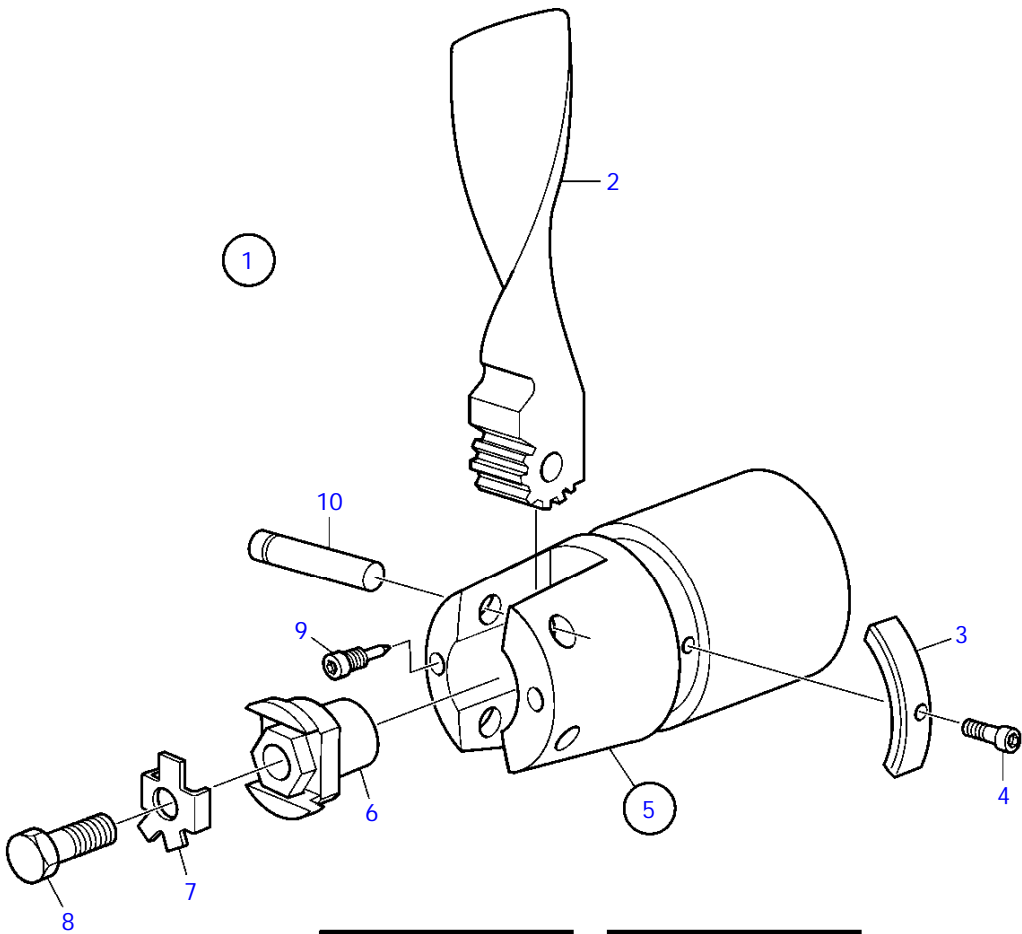
D2-75A, D2-75B, D2-75C, D2-75F



D2-75A, D2-75B, D2-75C, D2-75F

REF	PART NO.	QTY	DESCRIPTION	SEE SEC.	NOTES
1	3858955	1	Hub kit		S-drive (3858284)
			* Bulletin P-44-7-12	P-44-7-12-EN	Part Numbers on 3-bladed Folding Propellers
2	3583424	1	Hub kit		Shaft 25mm (3581262)
	3583425	1	Hub kit		Shaft 30mm (3581263)
	3583426	1	Hub kit		Shaft 1" (3581484)
	3583427	1	Hub kit		Shaft 1 1/4" (3581485)
3	3583382	1	Propeller blade kit		Left 14x9 (3581249)
			* Bulletin P-44-7-12	P-44-7-12-EN	Part Numbers on 3-bladed Folding Propellers
3	3583383	1	Propeller blade kit		Left 16x10 (3581250)
	3583384	1	Propeller blade kit		Left 15x10 (3581251)
	3583385	1	Propeller blade kit		Left 16x10 (3581252)
	3583386	1	Propeller blade kit		Left 16x11 (3581253)
	3583387	1	Propeller blade kit		Left 17x11 (3581254)
	3583388	1	Propeller blade kit		Left 17x12 (3581255)
	3583389	1	Propeller blade kit		Left 18x12 (3581256)
	3583390	1	Propeller blade kit		Left 18x13 (3581257)
	3583391	1	Propeller blade kit		Left 18x14 (3581258)
	3583392	1	Propeller blade kit		Left 18x15
	3584031	1	Propeller blade kit		Left 18x16
	3583393	1	Propeller blade kit		Left 19x16
	3583409	1	Propeller blade kit		Right 14x7
	3583410	1	Propeller blade kit		Right 14x8
	3583411	1	Propeller blade kit		Right 14x9 (3581807)
	3583412	1	Propeller blade kit		Right 15x9 (3581808)
	3583413	1	Propeller blade kit		Right 15x10 (3581809)
	3583414	1	Propeller blade kit		Right 16x10 (3581810)
	3583415	1	Propeller blade kit		Right 16x11 (3581811)
	3583416	1	Propeller blade kit		Right 17x11 (3581812)
	3583417	1	Propeller blade kit		Right 17x12 (3581813)
	3583418	1	Propeller blade kit		Right 18x12 (3581814)
	3583419	1	Propeller blade kit		Right 18x13 (3581815)
	3583420	1	Propeller blade kit		Right 18x14 (3581816)
4	3584466	1	Propeller nut		Included in hub kit, (3851993)
5	3851994	1	Lock washer		Included in hub kit
6	946730	1	Hexagon screw		Included in hub kit
7	3581243	3	Shaft		Included in hub kit
8	963695	3	Hex. socket screw		Included in hub kit
9	3581246	3	Screw		Included in hub kit
10	3858399	1	Zinc anode kit		Included in hub kit
	3858400	1	Magnesium anode kit		
11	963677	3	* Hex. socket screw		
12	1161053	1	Locking fluid		10ml, Included in hub kit
13	828250	1	Lubricating grease		25G, Included in propeller blade kit
			* Bulletin P-18-4-6	P-18-4-6-EN	Water resistant grease for grease gun
14	873473	1	Nut		Included in propeller shaft
15	873475	1	Tab washer		Included in propeller shaft

D2-75A, D2-75B, D2-75C, D2-75F

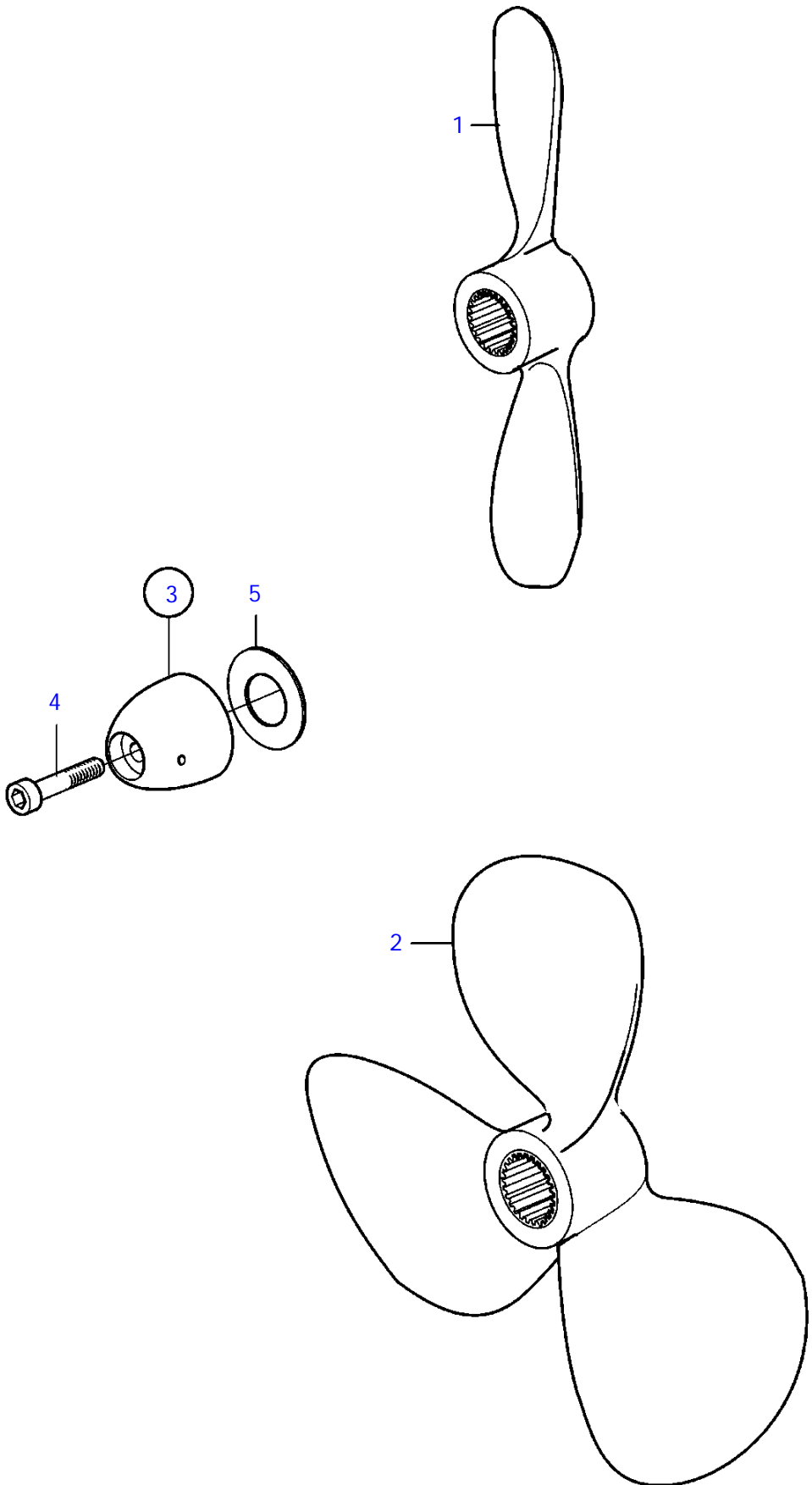


22351

D2-75A, D2-75B, D2-75C, D2-75F

REF	PART NO.	QTY	DESCRIPTION	SEE SEC.	NOTES
1	(3858506)	1	Propeller		14x6, Obsolete part
	(3858507)	1	Propeller		14x8 (3855562), Obsolete part
	(3858508)	1	Propeller		15x9 (3855563), Obsolete part
	(3858510)	1	Propeller		16x11 (3855565), Obsolete part
	(3858511)	1	Propeller		17X13, Obsolete part
	(3858512)	1	Propeller		17x14 (3855567), Obsolete part
2	872876	1	Propeller		14x6
	872877	1	Propeller		14X8
	872878	1	Propeller		15x9
	872880	1	Propeller		16x11
	872881	1	Propeller		17X13
	873536	1	Propeller blade kit		17X14
	872882	1	Propeller		17x15
	(873537)	1	Propeller blade kit		17x17, Obsolete part
3	3858399	1	Zinc anode kit		
	3858400	1	Magnesium anode kit		
4	963677	3	* Hex. socket screw		
5	3858849	1	Hub kit		
6	3584466	1	* Propeller nut		(3851993)
7	3851994	1	* Lock washer		
8	946730	1	* Hexagon screw		
9	3855529	2	* Screw		
10	3855528	2	* Shaft		
11	828250	1	Lubricating grease		25G
			* Bulletin P-18-4-6	P-18-4-6-EN	Water resistant grease for grease gun
12	1161053	1	Locking fluid		

D2-75A, D2-75B, D2-75C, D2-75F

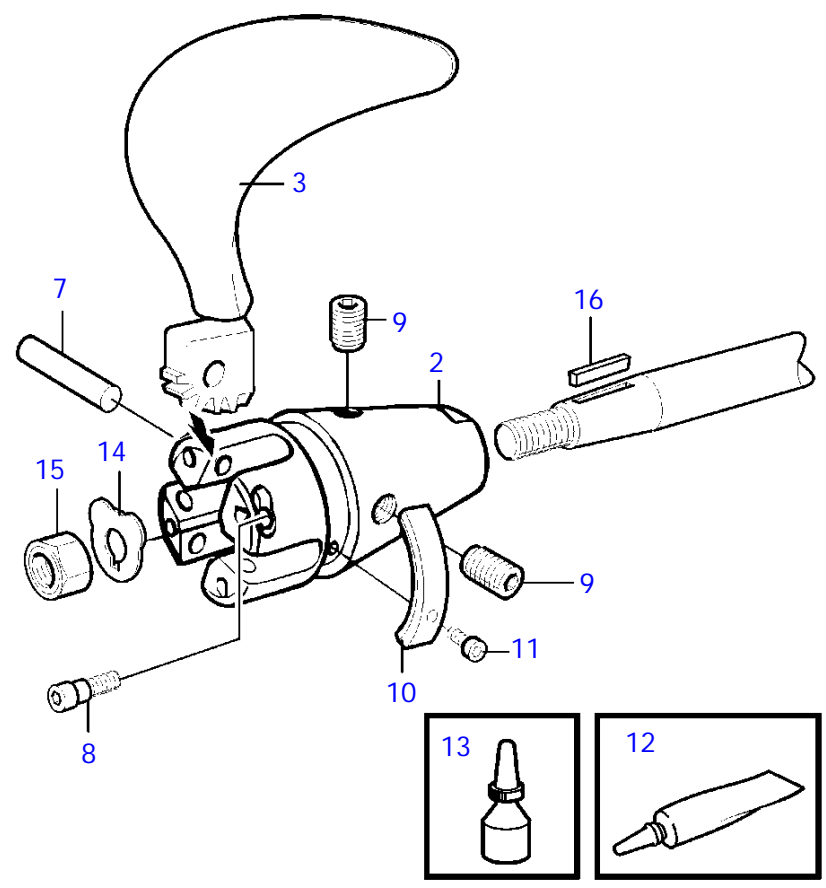
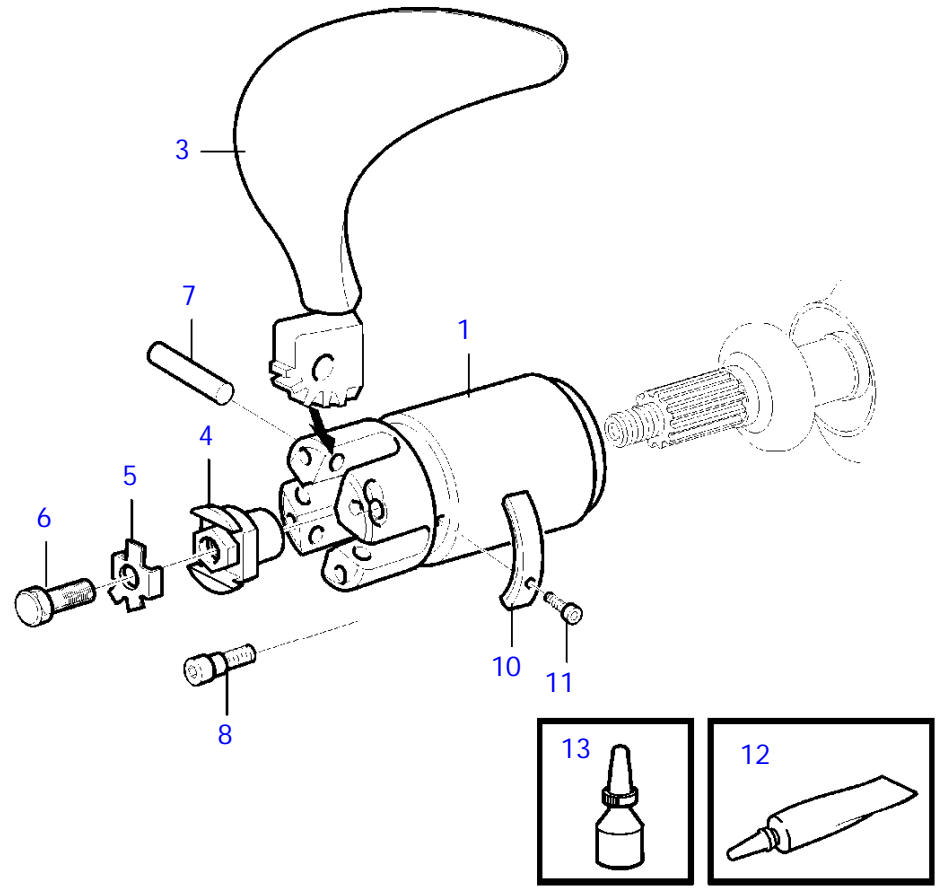


24074

D2-75A, D2-75B, D2-75C, D2-75F

REF	PART NO.	QTY	DESCRIPTION	NOTES
1	850261	1	Propeller	Left 14x7
	853346	1	Propeller	Left 14x8
	850341	1	Propeller	Left 14x9
	3583867	1	Propeller	Left 14x11
	3583868	1	Propeller	Left 15x11
	850342	1	Propeller	Left 16x11
	852116	1	Propeller	Left 16x13
	852510	1	Propeller	Left 17x14
	853583	1	Propeller	Left 17x16
	3583578	1	Propeller	Left 17x17
	889658	1	Propeller	Left 19x17
2	850658	1	Propeller	Left 14x9
	851419	1	Propeller	Left 14x11
	850659	1	Propeller	Left 14x12
	851988	1	Propeller	Left 15x12
	850672	1	Propeller	Left 15x13
	852017	1	Propeller	Left 16x11
	873369	1	Propeller	Left 17x12
	852117	1	Propeller	Left 17x13
	853588	1	Propeller	Left 17x14
	873368	1	Propeller	Left 17x15
	3583577	1	Propeller	Left 17x16
	889659	1	Propeller	Left 18x16
3	850396	1	Propeller cone kit	
4	851773	1	* Screw	
5	850888	1	* Plastic washer	

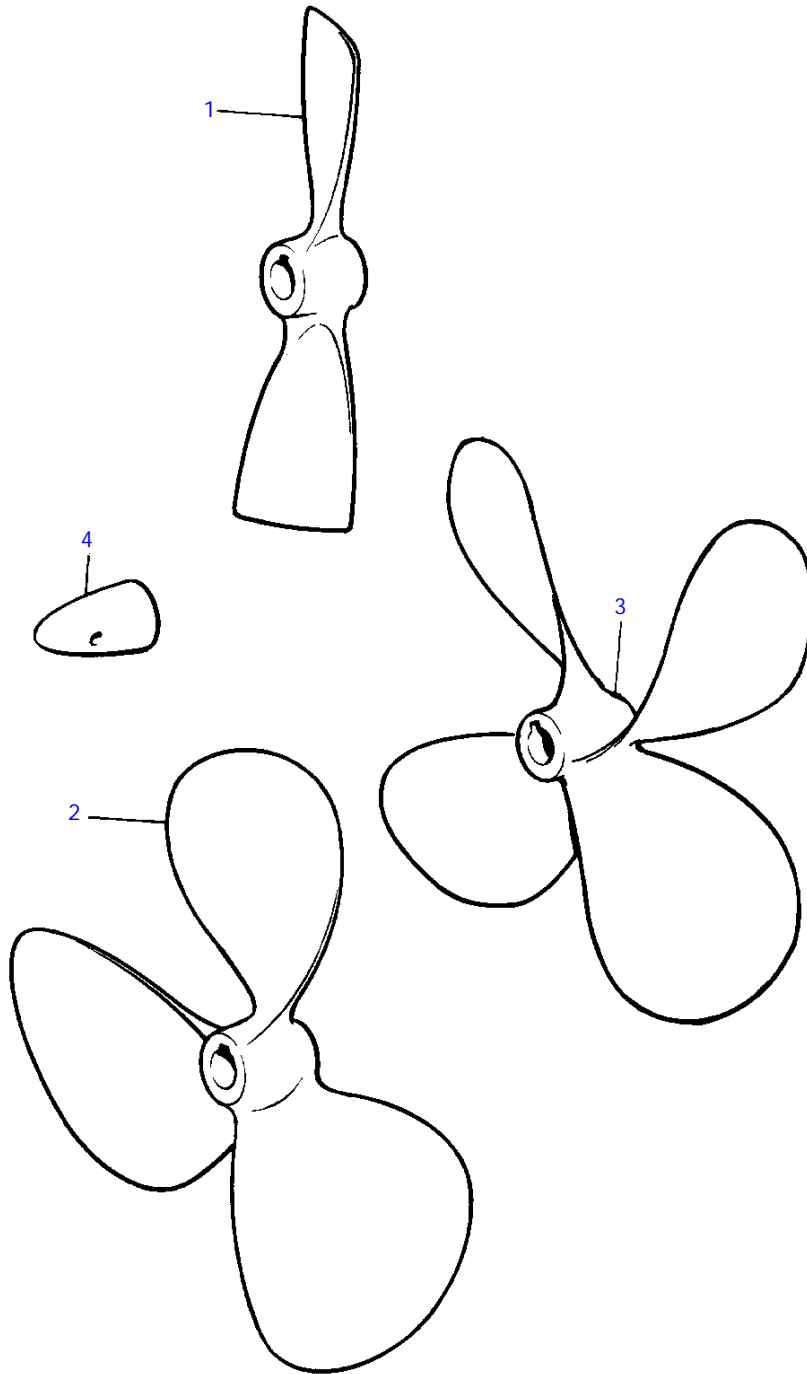
D2-75A, D2-75B, D2-75C, D2-75F



D2-75A, D2-75B, D2-75C, D2-75F

REF	PART NO.	QTY	DESCRIPTION	SEE SEC.	NOTES
1	3583927	1	Hub kit		S-drive
			* Bulletin P-44-7-11	P-44-7-11-EN	Part Numbers on 4-bladed Folding Propellers
2	3583928	1	Hub kit		Shaft 25mm
			* Bulletin P-44-7-11	P-44-7-11-EN	Part Numbers on 4-bladed Folding Propellers
2	3583929	1	Hub kit		Shaft 30mm
			* Bulletin P-44-7-11	P-44-7-11-EN	Part Numbers on 4-bladed Folding Propellers
2	3583930	1	Hub kit		Shaft 35mm
			* Bulletin P-44-7-11	P-44-7-11-EN	Part Numbers on 4-bladed Folding Propellers
2	3583931	1	Hub kit		Shaft 1 1/4"
			* Bulletin P-44-7-11	P-44-7-11-EN	Part Numbers on 4-bladed Folding Propellers
2	3583932	1	Hub kit		Shaft 1 1/2"
			* Bulletin P-44-7-11	P-44-7-11-EN	Part Numbers on 4-bladed Folding Propellers
2	(3583933)	1	Hub kit		Obsolete part, Shaft pre drilled
	3584137	1	Hub kit		Shaft 40mm
			* Bulletin P-44-7-11	P-44-7-11-EN	Part Numbers on 4-bladed Folding Propellers
3	3583917	1	Set		20x14
			* Bulletin P-44-7-11	P-44-7-11-EN	Part Numbers on 4-bladed Folding Propellers
3	3583919	1	Set		20x14
			* Bulletin P-44-7-11	P-44-7-11-EN	Part Numbers on 4-bladed Folding Propellers
3	3583921	1	Set		21x15
			* Bulletin P-44-7-11	P-44-7-11-EN	Part Numbers on 4-bladed Folding Propellers
3	3583923	1	Set		21x15
			* Bulletin P-44-7-11	P-44-7-11-EN	Part Numbers on 4-bladed Folding Propellers
3	3583925	1	Set		22x16
			* Bulletin P-44-7-11	P-44-7-11-EN	Part Numbers on 4-bladed Folding Propellers
3	3583918	1	Set		22x16
			* Bulletin P-44-7-11	P-44-7-11-EN	Part Numbers on 4-bladed Folding Propellers
3	3583920	1	Set		22x18
			* Bulletin P-44-7-11	P-44-7-11-EN	Part Numbers on 4-bladed Folding Propellers
3	3583922	1	Set		22x18
			* Bulletin P-44-7-11	P-44-7-11-EN	Part Numbers on 4-bladed Folding Propellers
3	3583924	1	Set		22x20
			* Bulletin P-44-7-11	P-44-7-11-EN	Part Numbers on 4-bladed Folding Propellers
3	3583926	1	Set		22x20
			* Bulletin P-44-7-11	P-44-7-11-EN	Part Numbers on 4-bladed Folding Propellers
4	3584466	1	Propeller nut		Included in hub kit
5	3851994	1	Lock washer		Included in hub kit
6	946730	1	Hexagon screw		Included in hub kit
7	3583951	4	Shaft		Included in hub kit
8	963695	4	Hex. socket screw		Included in hub kit
9	3581246	2	Screw		Included in hub kit
10	3584442	1	Zinc anode kit		Included in hub kit
	3584443	1	Magnesium anode kit		
11	963677	3	* Hex. socket screw		
12	828250	1	Lubricating grease		Included in hub kit
			* Bulletin P-18-4-6	P-18-4-6-EN	Water resistant grease for grease gun
13	1161053	1	Locking fluid		Included in propeller blade kit
14	873475	1	Tab washer		Included in propeller shaft
15	873473	1	Nut		Included in propeller shaft
16	873474	1	Key		Included in propeller shaft

D2-75A, D2-75B, D2-75C, D2-75F



15176

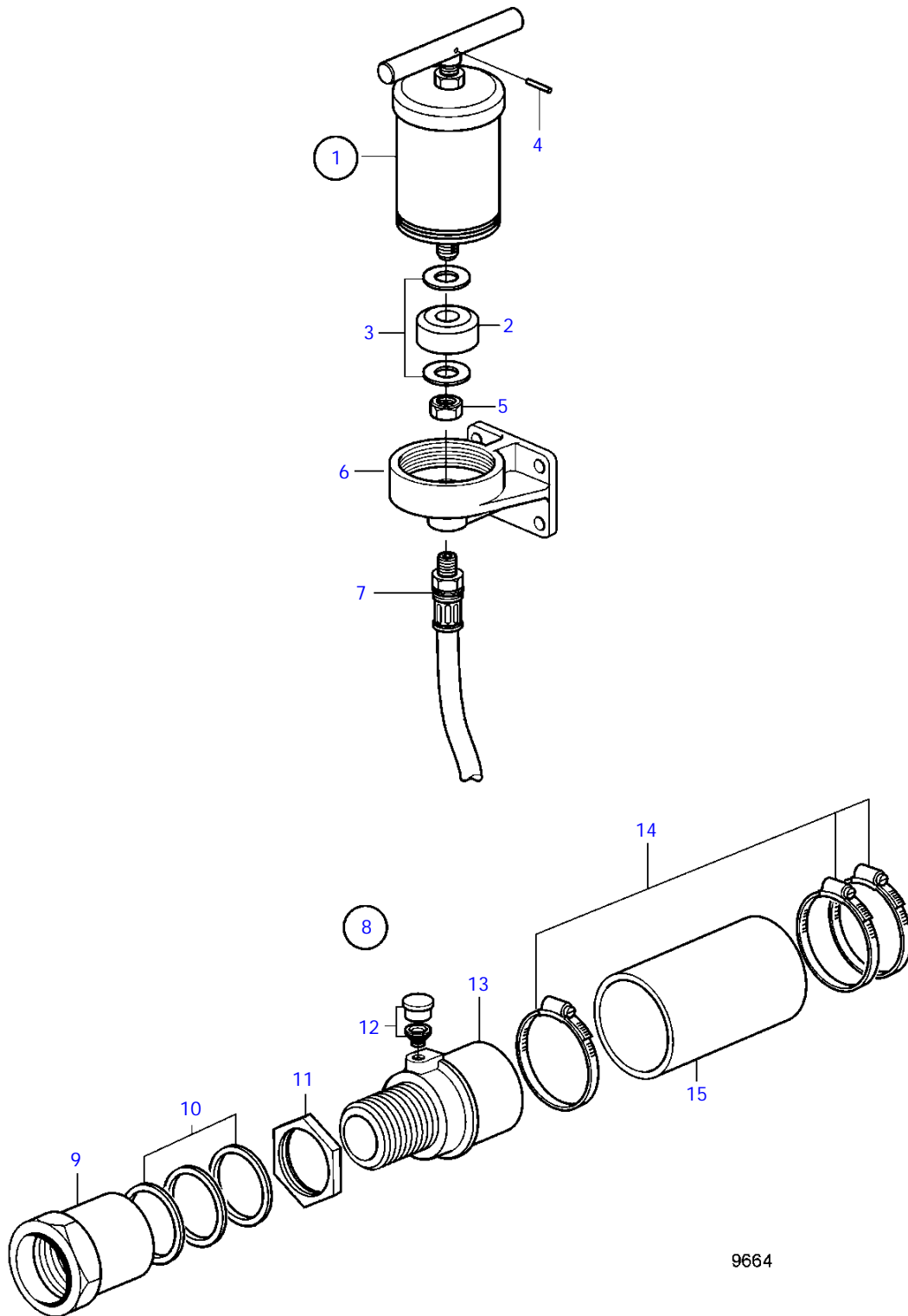
D2-75A, D2-75B, D2-75C, D2-75F

REF	PART NO.	QTY	DESCRIPTION	NOTES
1	(873392)	1	Propeller	Left 14x8x25, Obsolete part
	(873402)	1	Propeller	Left 14x10x25, Obsolete part
	(873403)	1	Propeller	Left 15x9x25, Obsolete part
	(873393)	1	Propeller	Left 15x11x25, Obsolete part
	(873394)	1	Propeller	Left 16x10x25, Obsolete part
	(873404)	1	Propeller	Left 16x11,5x25, Obsolete part
	(873405)	1	Propeller	Left 16x13x25, Obsolete part
	(873406)	1	Propeller	Left 17x12x25, Obsolete part
	(873407)	1	Propeller	Left 18x13x25, Obsolete part
	(873408)	1	Propeller	Left 18x15x25, Obsolete part
	(873409)	1	Propeller	LH 18x15x30, Obsolete part
	(873410)	1	Propeller	Left 18x13x35, Obsolete part
2	(873382)	1	Propeller	Left 12x9x25, Obsolete part
	(873417)	1	Propeller	Left 13x9x25, Obsolete part
	(873418)	1	Propeller	Left 14x9x25, Obsolete part
	(873419)	1	Propeller	Left 14x10x25, Obsolete part
	(873383)	1	Propeller	Left 14x11x25, Obsolete part
	(873420)	1	Propeller	Left 14x13x25, Obsolete part
	(873384)	1	Propeller	Left 15x10x25, Obsolete part
	(873421)	1	Propeller	Left 15x11x25, Obsolete part
	(873422)	1	Propeller	Left 15x12x25, Obsolete part
	(873423)	1	Propeller	Left 15x13x25, Obsolete part
	(873424)	1	Propeller	Left 15x14x25, Obsolete part
	(873425)	1	Propeller	Left 16x11x25, Obsolete part
	(873426)	1	Propeller	Left 16x12x25, Obsolete part
	(873427)	1	Propeller	Left 16x13x25, Obsolete part
	(873428)	1	Propeller	Left 16x14x25, Obsolete part
	(873429)	1	Propeller	Left 17x14x25, Obsolete part
	(873431)	1	Propeller	Left 17x15x25, Obsolete part
	(873433)	1	Propeller	Left 18x16x25, Obsolete part
	(3856279)	1	Propeller	Left 15x12x30, Obsolete part
	(3856280)	1	Propeller	Left 15x13x30, Obsolete part
	(3856281)	1	Propeller	Left 15x14x30, Obsolete part
	(3856282)	1	Propeller	Left 15x15x30, Obsolete part
	(3856283)	1	Propeller	Left 15x16x30 (873434), Obsolete part
	(3856284)	1	Propeller	Left 16x11x30, Obsolete part
	(3856285)	1	Propeller	Left 16x12x30, Obsolete part
	(3856286)	1	Propeller	Left 16x13x30, Obsolete part
	(3856287)	1	Propeller	Left 16x14x30, Obsolete part
	(3856288)	1	Propeller	Left 17x11x30, Obsolete part
	(3856289)	1	Propeller	Left 17x12x30 (873435), Obsolete part
	(3856290)	1	Propeller	Left 17x13x30 (873436), Obsolete part
	(3856291)	1	Propeller	Left 17x14x30 (873437), Obsolete part
	(3856292)	1	Propeller	Left 17x15x30 (873438), Obsolete part
	(3856293)	1	Propeller	Left 17x16x30 (873439), Obsolete part
	(3856294)	1	Propeller	Left 17x17x30, Obsolete part
	(3856295)	1	Propeller	Left 19x13x30, Obsolete part
	(3856296)	1	Propeller	Left 19x14x30, Obsolete part
	(3856297)	1	Propeller	Left 19x15x30 (873440), Obsolete part
	(3856298)	1	Propeller	Left 19x16x30 (873441), Obsolete part
	(3856299)	1	Propeller	Left 19x17x30 (873442), Obsolete part
	(3856300)	1	Propeller	Left 19x19x30 (873443), Obsolete part
	(3856301)	1	Propeller	Left 16x11x35, Obsolete part
	(3856302)	1	Propeller	Left 16x12x35, Obsolete part
	(873444)	1	Propeller	Left 16x13x35 (871217), Obsolete part
	(3856303)	1	Propeller	Left 16x14x35, Obsolete part
	(873445)	1	Propeller	Left 16x15x35 (871218), Obsolete part
	(873446)	1	Propeller	Left 17x11x35 (871219), Obsolete part
	(873447)	1	Propeller	Left 17x12x35 (871220), Obsolete part
	(873448)	1	Propeller	Left 17x13x35 (871221), Obsolete part
	(873449)	1	Propeller	Left 17x14x35 (871222), Obsolete part
	(873450)	1	Propeller	Left 17x15x35 (871223), Obsolete part
	(873451)	1	Propeller	Left 17x16x35 (871224), Obsolete part
	(873452)	1	Propeller	Left 17x17x35 (871187), Obsolete part
	(3856304)	1	Propeller	Left 18x13x35, Obsolete part
	(3856305)	1	Propeller	Left 18x14x35, Obsolete part
	(3856306)	1	Propeller	Left 18x15x35, Obsolete part
	(3856307)	1	Propeller	Left 18x16x35, Obsolete part
	(3856308)	1	Propeller	Left 18x17x35, Obsolete part
	(3856309)	1	Propeller	Left 18x18x35, Obsolete part
	(873453)	1	Propeller	Left 19x17x35 (871225), Obsolete part
	(873455)	1	Propeller	Left 19x15x40 (871228), Obsolete part
	(873456)	1	Propeller	Left 19x17x40 (871229), Obsolete part
	(873457)	1	Propeller	Left 19x19x40 (871230), Obsolete part
	(873458)	1	Propeller	Left 19x21x40 (871231), Obsolete part
	(873459)	1	Propeller	Left 21x13x40 (871226), Obsolete part
	(873460)	1	Propeller	Left 23x15x40 (871232), Obsolete part
3	(873461)	1	Propeller	Left 16x15x35 (871233), Obsolete part
	(873462)	1	Propeller	Left 16x16x35 (871234), Obsolete part
	(873463)	1	Propeller	Left 16x17x35 (871235), Obsolete part
	(873464)	1	Propeller	Left 16x18x35 (871236), Obsolete part
	(3856310)	1	Propeller	LH 18x15x30, Obsolete part
	(3856311)	1	Propeller	Left 18x16x30, Obsolete part
	(3856312)	1	Propeller	Left 18x17x30, Obsolete part
	(3856313)	1	Propeller	Left 18x18x30, Obsolete part
	(3856314)	1	Propeller	Left 18x15x35, Obsolete part
	(3856315)	1	Propeller	Left 18x16x35, Obsolete part
	(3856316)	1	Propeller	Left 18x17x35, Obsolete part
	(3856317)	1	Propeller	Left 18x18x35, Obsolete part
	(3856318)	1	Propeller	Left 18x16x40, Obsolete part

D2-75A, D2-75B, D2-75C, D2-75F

REF	PART NO.	QTY	DESCRIPTION	NOTES
	(873465)	1	Propeller	Left 18x17x40 (871240), Obsolete part
	(873466)	1	Propeller	Left 18x18x40 (871241), Obsolete part
	(873467)	1	Propeller	Left 18x19x40 (871242), Obsolete part
	(873468)	1	Propeller	Left 18x20x40 (871243), Obsolete part
	(3856319)	1	Propeller	Left 18x22x35, Obsolete part
	(3856320)	1	Propeller	Left 18x22x40, Obsolete part
	(3856321)	1	Propeller	Left 18x23x35, Obsolete part
	(3856322)	1	Propeller	Left 18x23x40, Obsolete part
	(3856323)	1	Propeller	Right 18x15x35, Obsolete part
	(3856324)	1	Propeller	Right 18x16x35, Obsolete part
	(3856325)	1	Propeller	Right 18x17x35, Obsolete part
	(3856326)	1	Propeller	Right 18x18x35, Obsolete part
	(3856327)	1	Propeller	Right 18x16x40, Obsolete part
	(3856328)	1	Propeller	Right 18x17x40, Obsolete part
	(3856329)	1	Propeller	Right 18x18x40, Obsolete part
	(3856330)	1	Propeller	Right 18x19x40, Obsolete part
	(3856331)	1	Propeller	Right 18x20x40, Obsolete part
	(3856332)	1	Propeller	Right 18x22x35, Obsolete part
	(3856333)	1	Propeller	Right 18x22x40, Obsolete part
	(3856334)	1	Propeller	Right 18x23x35, Obsolete part
	(3856371)	1	Propeller	Right 18x23x40, Obsolete part
4	833913	1	Zinc anode	For 30mm propeller shaft., W 3/4"
	833915	1	Zinc anode	For 35mm propeller shaft., W 7/8"
	828140	1	Zinc anode	For 40 and 45mm propeller shaft., W 1"
	873411	1	Zinc anode	For 25mm propeller shaft., M16
	873412	1	Zinc anode	For 30mm propeller shaft., M20
	873413	1	Zinc anode	For 35mm and 40mm propeller shaft., M24
	873415	1	Zinc anode	For 45mm propeller shaft., M30

D2-75A, D2-75B, D2-75C, D2-75F

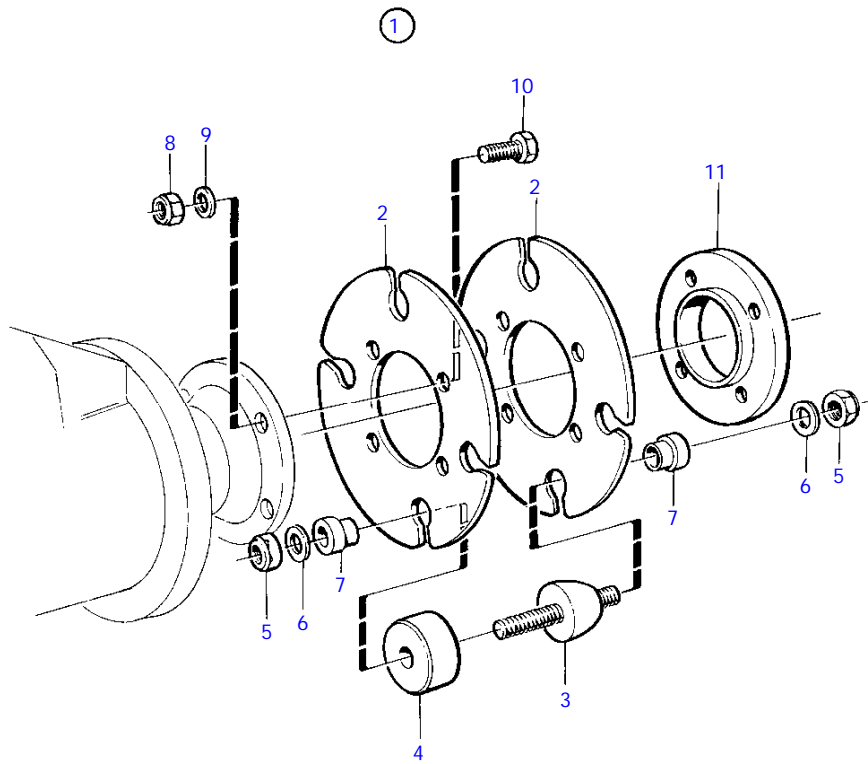


9664

D2-75A, D2-75B, D2-75C, D2-75F

REF	PART NO.	QTY	DESCRIPTION	NOTES
1	827184	1	Grease press	
2	815579	1	* Leather cuff	
3	948087	2	* Washer	
4	(907173)	1	* Grooved pin	Obsolete part
5	950354	1	* Lock nut	
6		1	* Retainer	
7	833842	1	Hose	
8	859013	1	Stuffing box	D=30mm
	859014	1	Stuffing box	D=35mm
9		1	* Nut	
10	859006	3	* Box gasket	D=30mm
	859007	3	* Box gasket	D=35mm
11		1	* Nut	
12	914138	1	* Lubricator	
13		1	* Stuffing box	
14	961674	3	* Hose clamp	
15	825673	X	* Rubber hose	D=30mm
	(827179)	X	* Rubber hose	D=35mm, Obsolete part

D2-75A, D2-75B, D2-75C, D2-75F

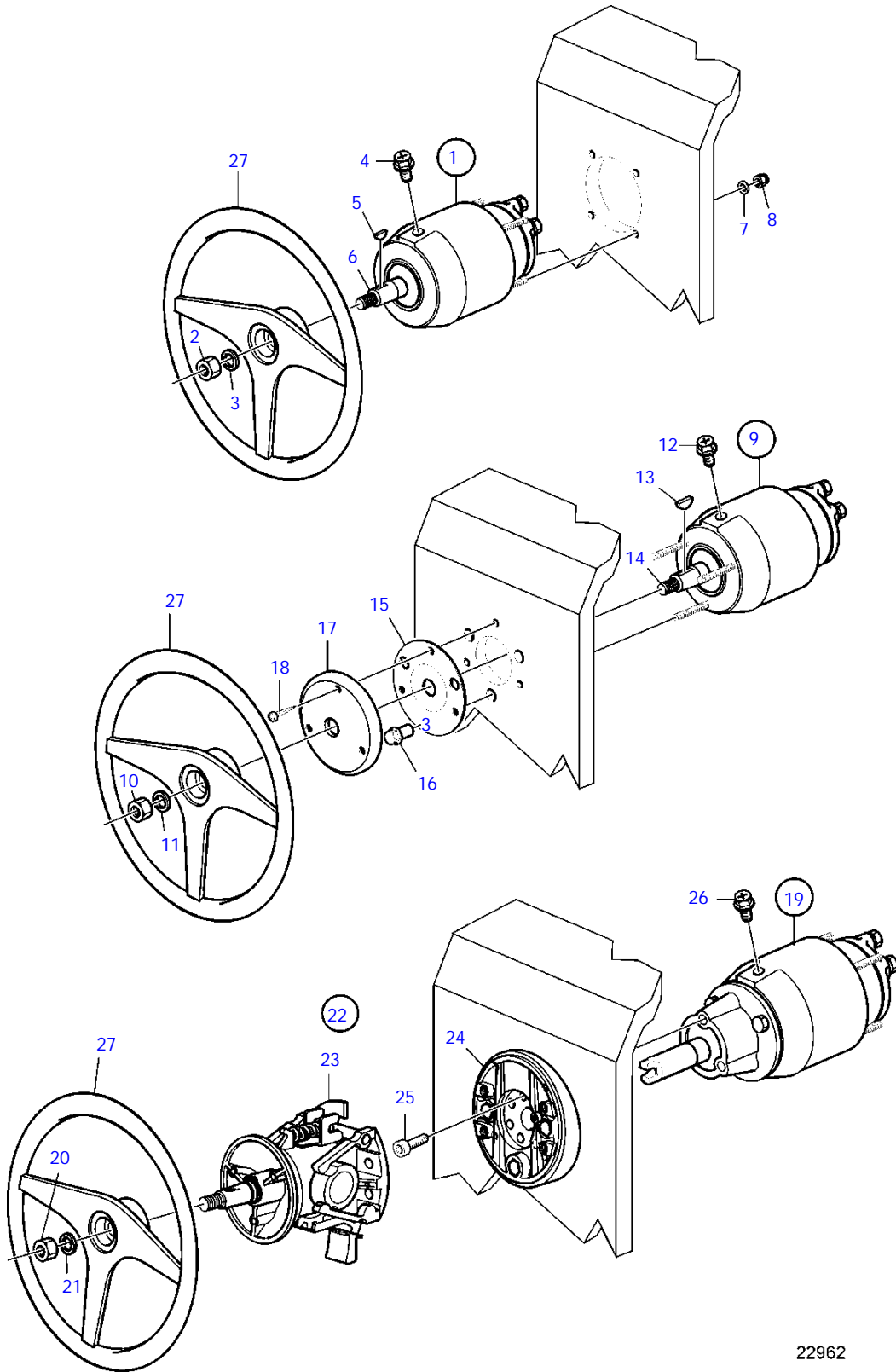


11417

D2-75A, D2-75B, D2-75C, D2-75F

REF	PART NO.	QTY	DESCRIPTION	NOTES
1	(819154)	1	Rubber coupling	For 30mm and 35mm propeller shaft, Obsolete part
2	819151	2	* Flexplate	
3	803762	6	* Rubber cushion	
4	803748	6	* Protecting casing	
5	955850	12	* Hexagon nut	
6	940280	12	* Spring washer	
7	802976	12	* Washer	
8	971071	8	* Hexagon nut	
9	941908	8	* Spring washer	
10	970947	4	* Hexagon screw	L=25mm
	970949	4	* Hexagon screw	L=35mm
11	803029	1	* Guide ring	

D2-75A, D2-75B, D2-75C, D2-75F

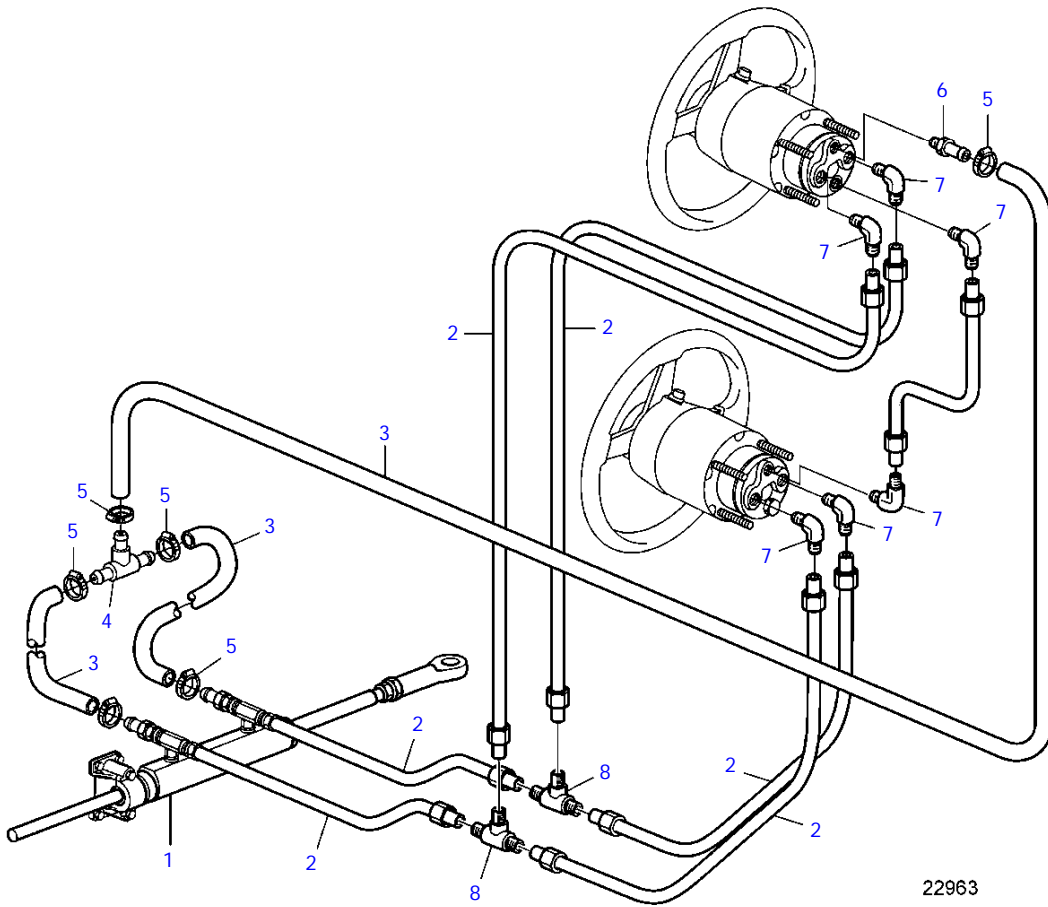
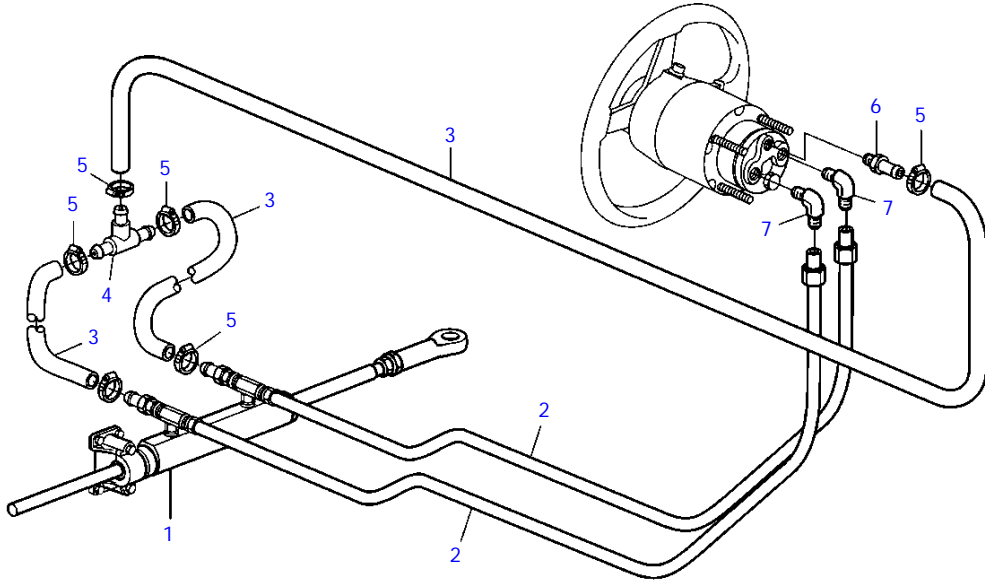


22962

D2-75A, D2-75B, D2-75C, D2-75F

REF	PART NO.	QTY	DESCRIPTION	NOTES
1	3809971	1	Pump piston	Front mounted., 28cc
	3809972	1	Pump piston	Front mounted., 33cc
	3809973	1	Pump piston	Front mounted., 39cc
2		1	• Nut	
3		1	• Washer	
4	21164656	1	• Plug, air venting	
	3843214	1	• Plug	
5		1	• Wedge	
6		2	• Elbow nipple	
7		4	• Washer	
8		4	• Lock nut	
9	3809975	1	Pump piston	Rear mounted., 28cc
	3809976	1	Pump piston	Rear mounted., 33cc
	3809977	1	Pump piston	Rear mounted., 39cc
10		1	• Nut	
11		1	• Washer	
12	21164656	1	• Plug, air venting	
	3843214	1	• Plug	
13		1	• Wedge	
14		2	• Elbow nipple	
15		1	• Bracket	
16		3	• Screw	
17		1	• Cover	
18		3	• Screw	
19	3809978	1	Pump piston	Tilt mounted steering., 28cc
	21135046	1	Pump piston	Tilt mounted steering., 33cc
	3809980	1	Pump piston	Tilt mounted steering., 39cc
20		1	• Nut	
21		1	• Washer	
22	3841280	1	• Steering wheel adjus	
23		1	• • Steering wheel adjus	
24		1	• • Bracket	
25		3	• • Allen head screw	
26	21164656	1	• Plug, air venting	
	3843214	1	Plug	
27	3843317	1	Wheel	Alt
	850936	1	Steering wheel	Alt

D2-75A, D2-75B, D2-75C, D2-75F

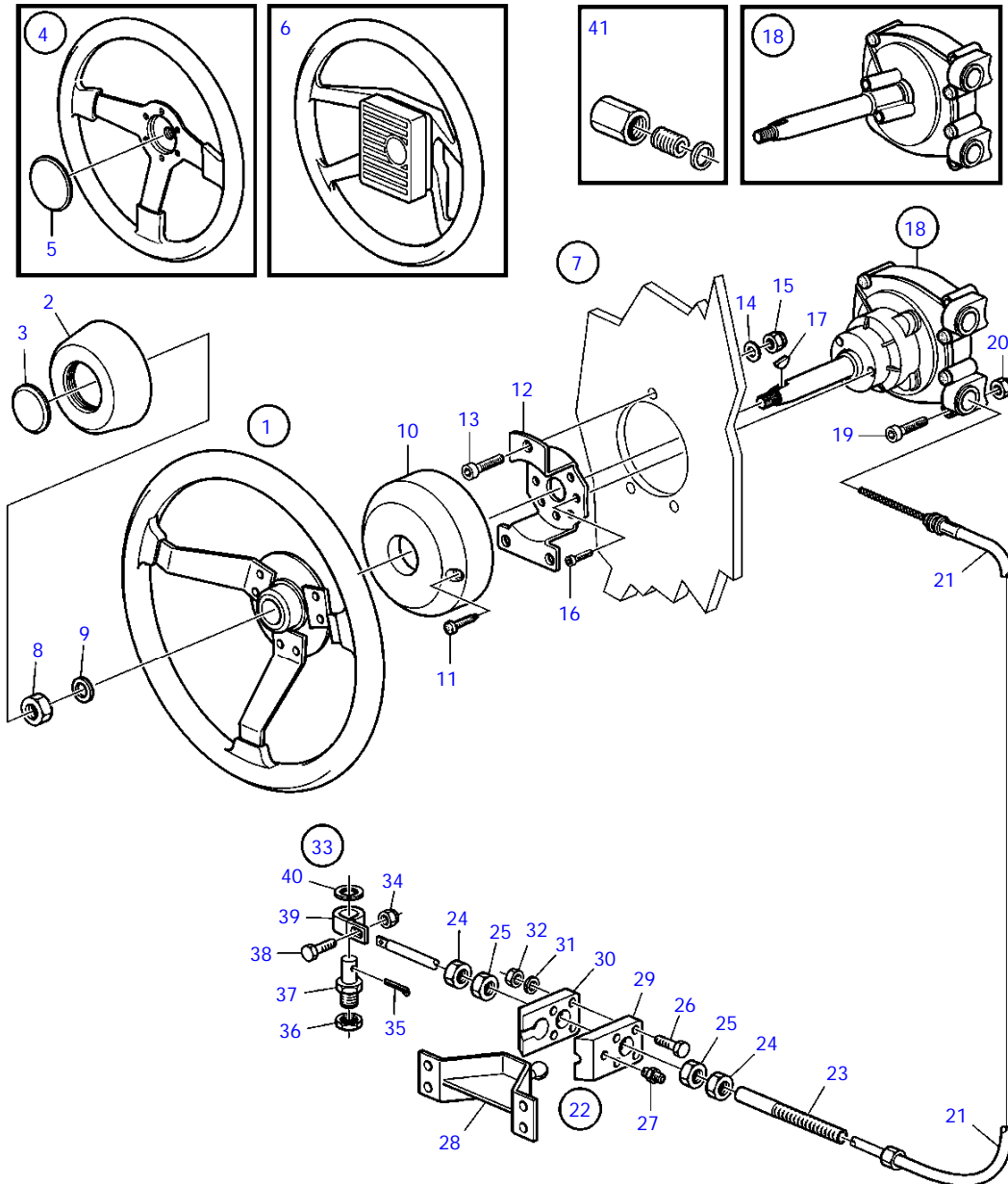


22963

D2-75A, D2-75B, D2-75C, D2-75F

REF	PART NO.	QTY	DESCRIPTION	NOTES
1	3809981	1	Cylinder piston	
	3809982	1	Cylinder	168cc
	3809983	1	Cylinder piston	215cc
2	1140584	X	Pipe	
3	192618	X	Hose	
4		1	T-nipple	Included in kit 3843251.
5		6	Hose clamp	Included in kit 3843251.
6		1	Nipple	Included in kit 3843251.
7		2	Elbow nipple	Included in kit 3843217.
8		2	T-nipple	Included in kit 1140583.

D2-75A, D2-75B, D2-75C, D2-75F

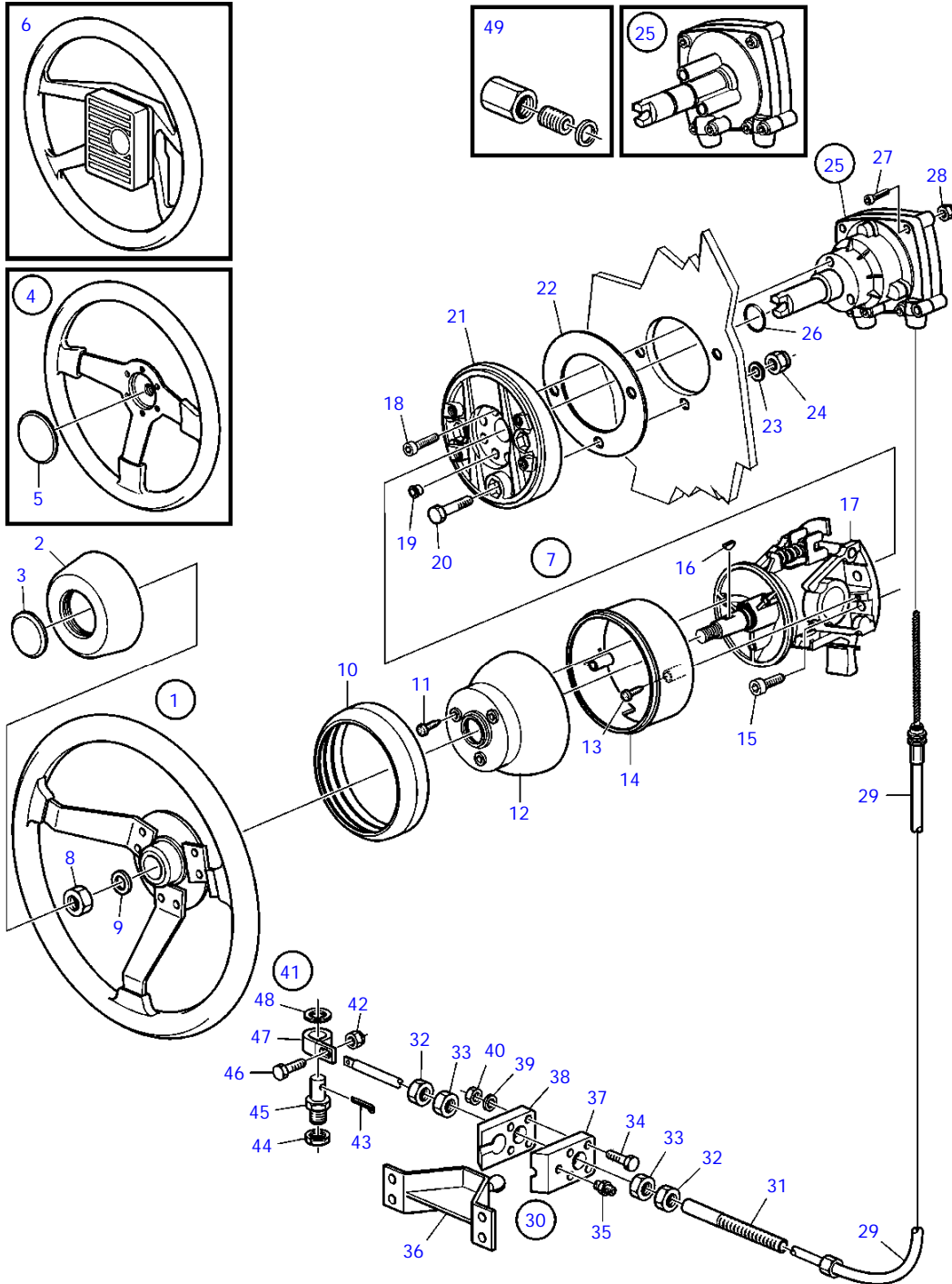


22681

D2-75A, D2-75B, D2-75C, D2-75F

REF	PART NO.	QTY	DESCRIPTION	SEE SEC.	NOTES
1	850936	1	Steering wheel		
2		1	* Steering wheel pad		
3	(1140660)	1	* Emblem		(850938), Obsolete part
4	3843317	1	Wheel		
5		1	* Emblem		
6	1140334	1	Steering wheel		
	1140335		Steering wheel		
7	3818096	1	Mounting kit		70° black
	3818098	1	Mounting kit		90° black
	3883508	1	Mounting kit		70° white
	3883509	1	Mounting kit		70° black
8	971084	1	* Lock nut		
9	955897	1	* Washer		
10		1	* Cover		90°
		1	* Cover		70°
11	969476	2	* 6 point socket screw		
12		1	* Bracket		90°
		1	* Bracket		70°
13	959226	3	* Hex. socket screw		
14	976944	3	* Washer		
15	946036	3	* Lock nut		
16	959220	3	* Hex. socket screw		
17	160807	1	* Woodruff key		
18	3818019	1	Steering gear		Std, fixed wheel
			* Bulletin P-64-0-1	P-64-0-1-EN	New QL Mechanical and Hydraulic Steering Systems
18	3818023	1	Steering gear		No feedback, fixed wheel
			* Bulletin P-64-0-1	P-64-0-1-EN	New QL Mechanical and Hydraulic Steering Systems
19	955278	2	* Hexagon screw		
20	963105	2	* Lock nut		
21	3840244	1	Steering cable		L=2000mm
	3840245	1	Steering cable		L=2250mm
	3840246	1	Steering cable		L=2500mm
	3840247	1	Steering cable		L=2750mm
	3840248	1	Steering cable		L=3000mm
	3840249	1	Steering cable		L=3250mm
	3840250	1	Steering cable		L=3500mm
	3840251	1	Steering cable		L=3750mm
	3840252	1	Steering cable		L=4000mm
	3840253	1	Steering cable		L=4250mm
	3840254	1	Steering cable		L=4500mm
	3840255	1	Steering cable		L=4750mm
	3840256	1	Steering cable		L=5000mm
	3840257	1	Steering cable		L=5250mm
	3840258	1	Steering cable		L=5500mm
	3840259	1	Steering cable		L=5750mm
	3840260	1	Steering cable		L=6000mm
	3840261	1	Steering cable		L=6250mm
	3840262	1	Steering cable		L=6500mm
	3840263	1	Steering cable		L=6750mm
	3840264	1	Steering cable		L=7000mm
	3840265	1	Steering cable		L=7250mm
	3840266	1	Steering cable		L=7500mm
	3840267	1	Steering cable		L=7750mm
	3840268	1	Steering cable		L=8000mm
	3840270	1	Steering cable		L=8250mm
	3840272	1	Steering cable		L=8500mm
	3840273	1	Steering cable		L=8750mm
	3840274	1	Steering cable		L=9000mm
22	(853290)	1	Stern attachment		Obsolete part
23	850771	1	* Anchorage		
24	850778	2	* Nut		
25	853306	2	* Nut		
26	940101	2	* Hexagon screw		
27	951739	1	* Lubricating nipple		
28	851093	1	* Bracket		
29	828857	1	* Anchorage		
30	828854	1	* Anchorage		
31	941906	2	* Spring washer		
32	963105	2	* Lock nut		
33	828924	1	* Ball joint kit		
34	(966171)	1	* Lock nut		Obsolete part
35	967707	1	* Split pin		
36	963119	1	* Lock nut		
37		1	* Split pin bolt		
38		1	* Shoulder screw		
39		1	* Bracket		
40	955897	1	* Washer		
41	853214	1	Adapter		For alternative steering cables.

D2-75A, D2-75B, D2-75C, D2-75F

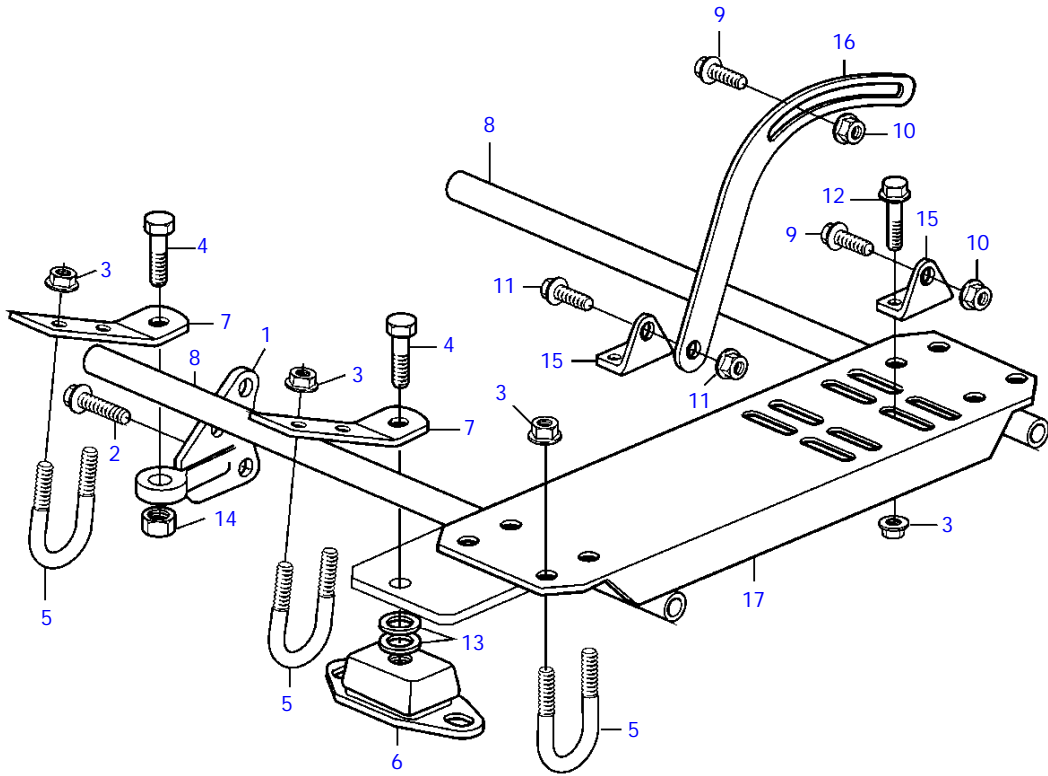


22685

D2-75A, D2-75B, D2-75C, D2-75F

REF	PART NO.	QTY	DESCRIPTION	SEE SEC.	NOTES
1	850936	1	Steering wheel		Alt
2		1	* Steering wheel pad		
3	(1140660)	1	* Emblem		(850938), Obsolete part
4	3843317	1	Wheel		Alt
5		1	* Emblem		
6	1140334	1	Steering wheel		Alt, white
	1140335	1	Steering wheel		Alt, black
7	3841280	1	Steering wheel adjus		
8	971084	1	* Lock nut		
9	955897	1	* Washer		
10		1	* Sealing strip		
11		3	* Screw		
12		1	* Cover		Agile
13		2	* Screw		
14		1	* Cover		Fixed
15		4	* Allen head screw		
16	160807	1	* Woodruff key		
17		1	* Anchorage		Steering wheel
18		3	* Allen head screw		
19		5	* Plug		
20		3	* Screw		
21		1	* Bracket		
22		1	* Gasket		
23		3	* Washer		
24		3	* Nut		
25	3818025	1	Steering gear		T81C
			* Bulletin P-64-0-1	P-64-0-1-EN	New QL Mechanical and Hydraulic Steering Systems
25	3818027	1	Steering gear		No-feedback, tilt wheel
			* Bulletin P-64-0-1	P-64-0-1-EN	New QL Mechanical and Hydraulic Steering Systems
26	990696	1	* O-ring		
27	955278	2	* Hexagon screw		
28	963105	2	* Lock nut		
29	3840244	1	Steering cable		L=2000mm
	3840245	1	Steering cable		L=2250mm
	3840246	1	Steering cable		L=2500mm
	3840247	1	Steering cable		L=2750mm
	3840248	1	Steering cable		L=3000mm
	3840249	1	Steering cable		L=3250mm
	3840250	1	Steering cable		L=3500mm
	3840251	1	Steering cable		L=3750mm
	3840252	1	Steering cable		L=4000mm
	3840253	1	Steering cable		L=4250mm
	3840254	1	Steering cable		L=4500mm
	3840255	1	Steering cable		L=4750mm
	3840256	1	Steering cable		L=5000mm
	3840257	1	Steering cable		L=5250mm
	3840258	1	Steering cable		L=5500mm
	3840259	1	Steering cable		L=5750mm
	3840260	1	Steering cable		L=6000mm
	3840261	1	Steering cable		L=6250mm
	3840262	1	Steering cable		L=6500mm
	3840263	1	Steering cable		L=6750mm
	3840264	1	Steering cable		L=7000mm
	3840265	1	Steering cable		L=7250mm
	3840266	1	Steering cable		L=7500mm
	3840267	1	Steering cable		L=7750mm
	3840268	1	Steering cable		L=8000mm
	3840270	1	Steering cable		L=8250mm
	3840272	1	Steering cable		L=8500mm
	3840273	1	Steering cable		L=8750mm
	3840274	1	Steering cable		L=9000mm
30	(853290)	1	Stern attachment		Obsolete part
31	850771	1	* Anchorage		
32	850778	2	* Nut		
33	853306	2	* Nut		
34	940101	2	* Hexagon screw		
35	951739	1	* Lubricating nipple		
36	851093	1	* Bracket		
37	828857	1	* Anchorage		
38	828854	1	* Anchorage		
39	941906	2	* Spring washer		
40	963105	2	* Lock nut		
41	828924	1	* Ball joint kit		
42	(966171)	1	* Lock nut		Obsolete part
43	967707	1	* Split pin		
44	963119	1	* Lock nut		
45		1	* Split pin bolt		
46		1	* Shoulder screw		
47		1	* Bracket		
48	955897	1	* Washer		
49	853214	1	Adapter		For alternative steering cables.

D2-75A, D2-75B, D2-75C, D2-75F

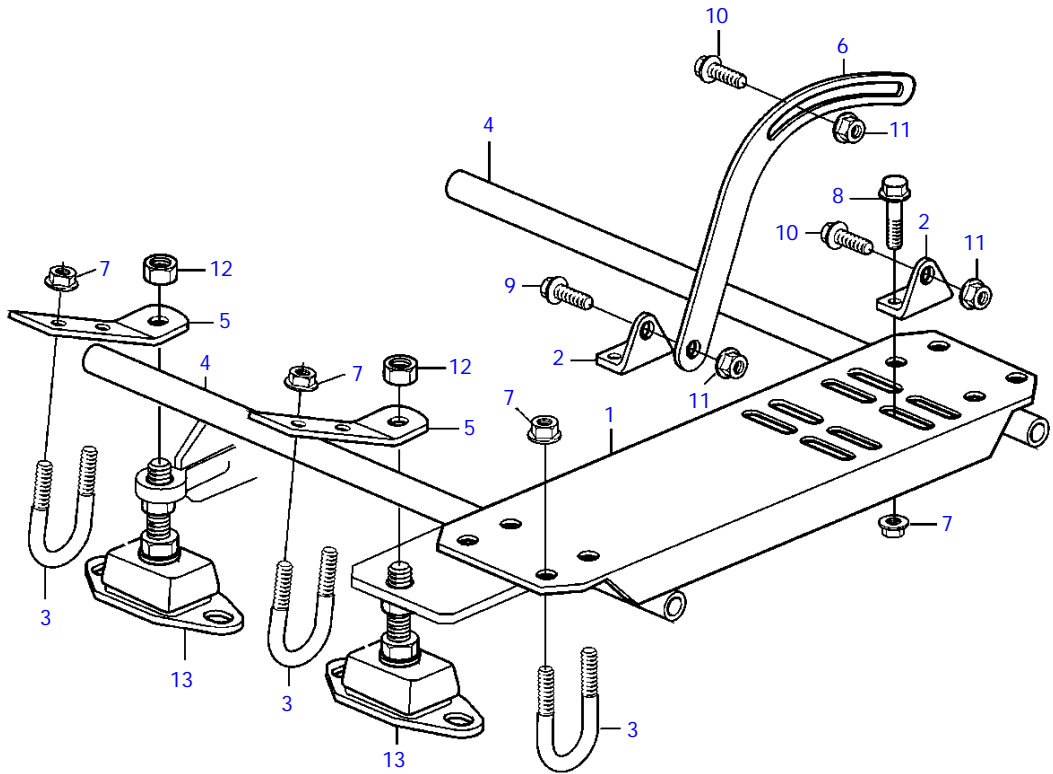


18974

D2-75A, D2-75B, D2-75C, D2-75F

REF	PART NO.	QTY	DESCRIPTION	SEE SEC.
1	859862	2	Bracket	
2	946329	6	Flange screw	
3	955805	2	Hexagon nut	
4	983842	4	Hexagon screw	
5	3580739	6	Clamp	
6		1	Rubber cushion	
			*	
			*	9902
7	3583848	4	Anchorage	
8	3583506	2	Tube	
9	946472	4	Flange screw	
10	971095	6	Flange nut	
11	946329	2	Flange screw	
12	945444	8	Flange screw	
13		2	Washer	
			*	
			*	9902
14		1	Nut	
			*	
			*	9902
15	854607	4	Bracket	
16	854608	2	Tensioner	
17	3580737	1	Attaching plate	

D2-75A, D2-75B, D2-75C, D2-75F



18973

D2-75A, D2-75B, D2-75C, D2-75F

REF	PART NO.	QTY	DESCRIPTION	SEE SEC.
1	3580737	1	Attaching plate	
2	854607	4	Bracket	
3	3580739	8	Clamp	
4	3583506	2	Tube	
5	3583848	4	Anchorage	
6	854608	2	Tensioner	
7	945408	24	Flange nut	
8	945444	8	Flange screw	
9	946329	2	Flange screw	
10	946472	4	Flange screw	
11	971095	6	Flange nut	
12		2	Nut	
			*	
			*	6753
13		2	Rubber cushion	
			*	
			*	6753

D2-75A, D2-75B, D2-75C

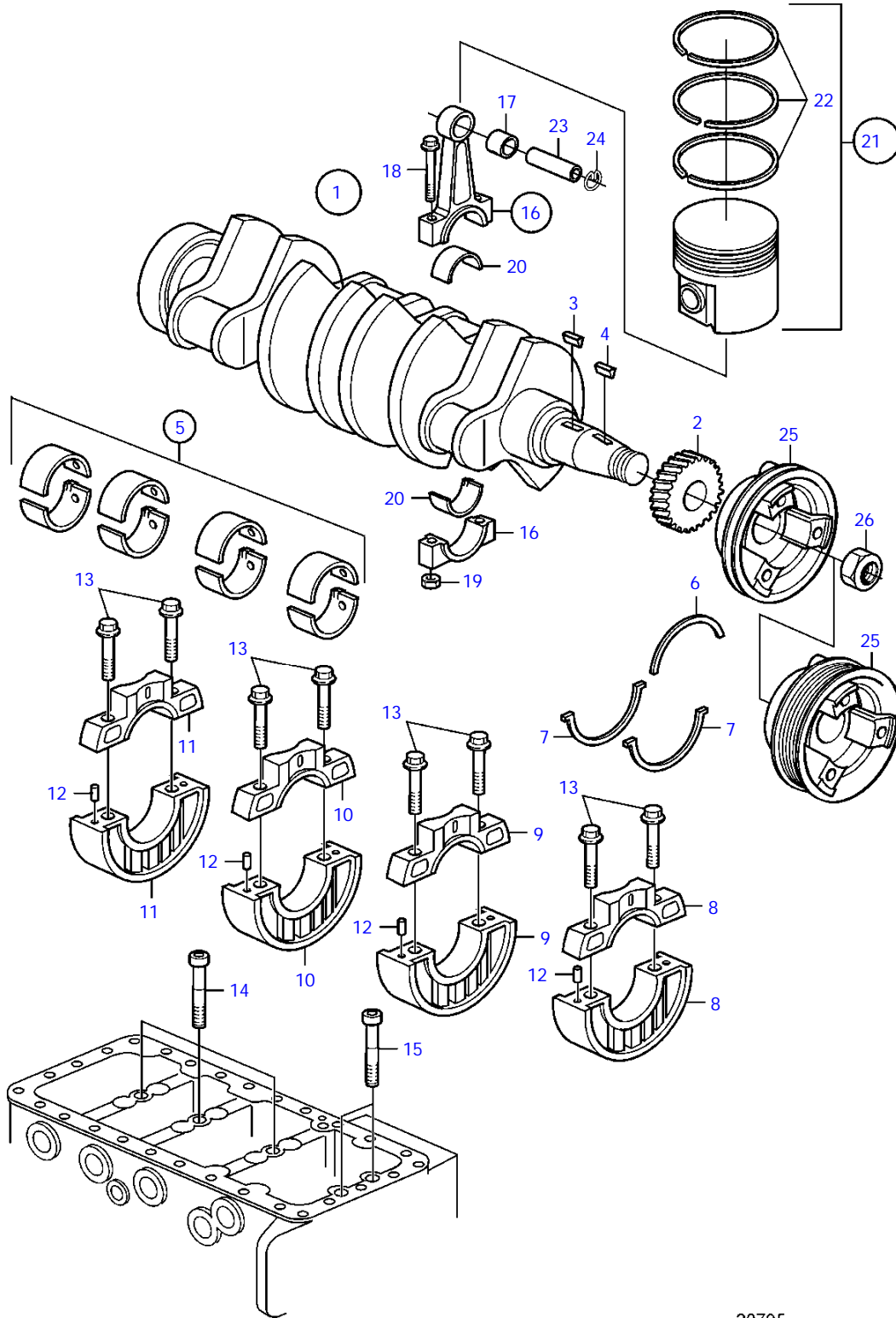
REF	PART NO.	QTY	DESCRIPTION	SEE SEC.	NOTES
1	877387	1	Main bearing kit	6745	
	21301841	4	Piston kit	6745	(3584122)
	21301848	4	Piston ring kit	6745	
	877388	1	Big-end bearing kit, set	6745	
	3583674	1	Thrust washer, set		Upper
	3580543	2	Thrust washer, set		Lower
	877400	1	Impeller		
	860921	1	* Gasket		
	3583809	2	* O-ring		
	3862178	1	* Grease		
	877419	1	Overhaul gasket kit, reconditioning		
	11992	4	* Gasket		
	11994	2	* Gasket		
	11996	3	* Gasket		
	861851	1	* O-ring		
	861897	1	* O-ring		
	861997	1	* O-ring		
	957177	4	* Gasket		
	969011	5	* Gasket		
	3580035	1	* O-ring		
	3580040	2	* O-ring		
	3580047	1	* O-ring		
	3580087	1	* Sealing ring		
	3580092	1	* Sealing ring		
	3580576	1	* Plate		
	3580378	1	* Gasket		
	3580380	1	* O-ring		
	3580586	1	* Sealing ring		
	3583552	1	* Gasket		
	3583581	2	* O-ring		
	3583700	1	* Sealing		
	3583707	1	* Gasket		
	3583710	1	* Gasket		
	3589332	1	* O-ring		
	3589335	1	* Gasket		
	969011	2	* Gasket		
	3589322	1	Gasket kit, decarbonizing		
	11992	4	* Gasket		
	861897	1	* O-ring		
	861997	1	* O-ring		
	889486	1	* Gasket		
	3580077	4	* Gasket		
	21228429	1	* Cylinder head gasket		
	3583546	1	* Gasket		
	3580499	4	* Gasket		
	3583658	1	* Gasket		
	3583754	1	* Gasket		
	3584112	1	* Gasket		
	3589320	1	Gasket kit, turbo connect.		
	18665	2	* Gasket		
	3583581	1	* O-ring		
	3584104	1	* Gasket		
	3584110	2	* Gasket		
	21194801	1	* Gasket		
	3589455	1	Gasket kit, exhaust manifold		
	11992	4	* Gasket		
	859835	1	* Gasket		
	888596	1	* Gasket		
	3583830	1	* O-ring		
	3581070	8	* O-ring		
	3583781	1	* Gasket		
	3586514	1	* O-ring		
	877418	1	Repair kit, sea water pump		
		1	* Shaft		
	3583985	1	* Cardboard tube		
	3583809	1	* O-ring		
	841693	4	* Screw		
	3583987	1	* Sealing ring		
	3583988	1	* Washer		
	925057	1	* O-ring		
	3583989	2	* Ball bearing		Replaced by 860202
	860202	2	* Bearing		
	914451	1	* Snap ring		
		1	* Wear ring		
	3583991	1	* Locking clip		
	3583992	1	* Sealing ring		
	3583993	1	* Plug		
	3583994	1	* Plug		
	21112450	1	Rubber bellows, S-drive		

D2-75A, D2-75B, D2-75C

REF	PART NO.	QTY	DESCRIPTION	SEE SEC.	NOTES
		1	* Cover plate		
	8260041	1	* Spacer disc		
		1	* Rubber bellows		
		1	* Label		
	21112496	1	* Sealing ring kit		120S, MS25S
	852668	1	* Locking wire		
	925256	1	* O-ring		
	3856834	1	* Gasket		
	21112497	1	* Sealing ring kit		130S, 150S
	925256	1	* O-ring		
	944364	2	* O-ring		
	976994	1	* O-ring		
	3586693	1	* Gasket		
	3812280	1	Onboard kit		
			* Bulletin P-26-6-3	P-26-6-3-EN	Impeller kits, D2-75
1	11992	4	* Gasket		
	11994	4	* Gasket		
	19923	2	* Bulb		
	840785	2	* Screw		
	858283	1	* Tape		
	858635	1	* Bag		
	861477	1	* Fuel filter		
	873566	1	* Fuse box		
	3862567	1	* Impeller kit		
			* Bulletin P-26-6-2	P-26-6-2-EN	Impeller kits, Gas, to 2005
1	(3862465)	1	* Impeller		Obsolete part
	3858938	1	* O-ring		
	3862178	1	* Grease		
	853548	1	Hose clamp		
	961669	1	Hose clamp		
	3584086	1	Belt		
	3888305	1	Anode kit, zinc anode		
	(3887358)	1	* Anode, left		Obsolete part
	(3887360)	1	* Anode, right		Obsolete part
	963688	2	* Hex. socket screw		
	3888306	1	Anode kit, magnesium anode		
	(3887362)	1	* Anode, left		Obsolete part
	(3887363)	1	* Anode, right		Obsolete part
	963688	2	* Hex. socket screw		
	(21282754)	1	Repair kit, oil suction pipe		Obsolete part, For suction pipe with flange
	3583552	1	* Gasket		
	21194503	1	* Pipe		
	861997	1	* O-ring		
	21194501	1	Filter		
	21189426	1	* Service kit		Obsolete part
	861477	1	* Fuel filter		
	877400	1	* Impeller		
	3840525	1	* Oil filter		

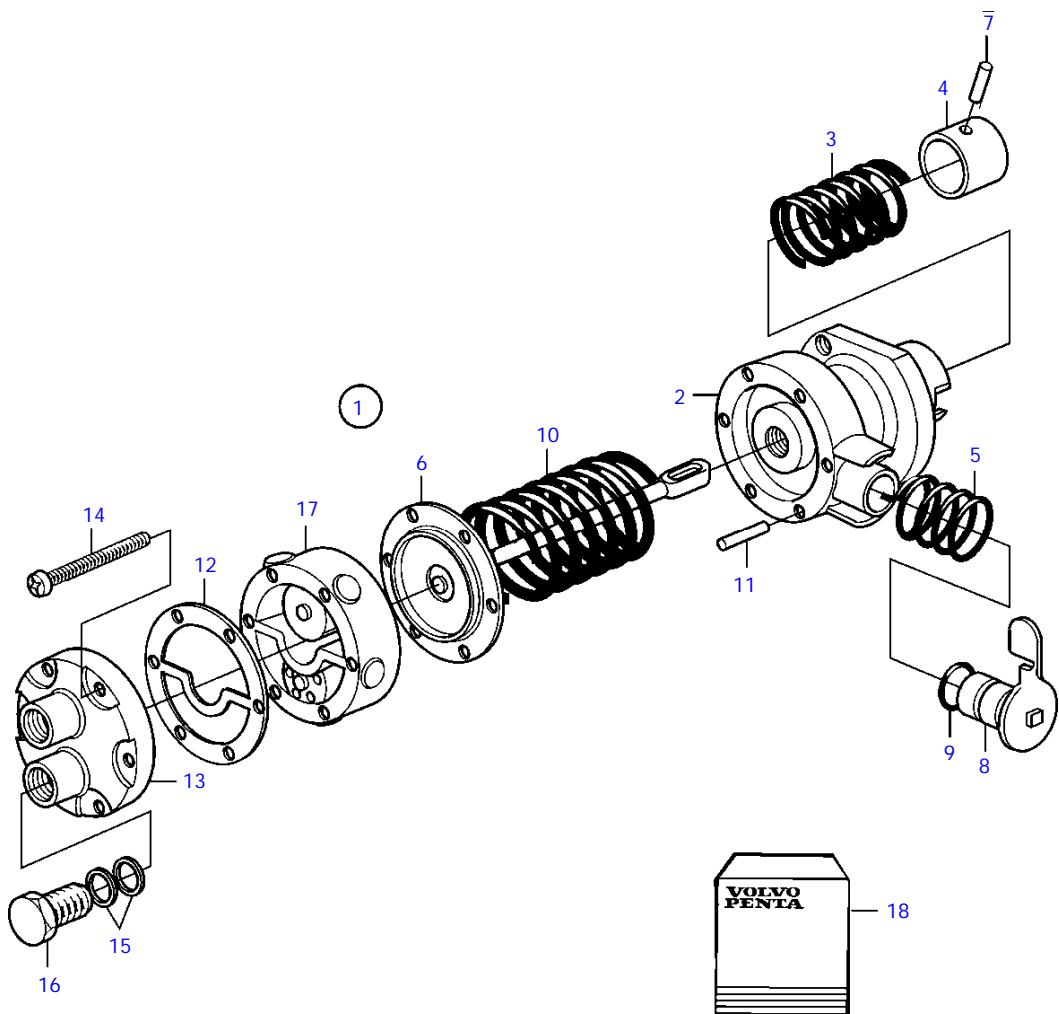
REF	PART NO.	QTY	DESCRIPTION	SEE SEC.	NOTES
1	877387	1	Main bearing kit	5485	Std
	3583692	4	Piston	5485	
	3583693	4	Piston ring	5485	
	877388	1	Big-end bearing kit,set	5485	
	3583674	1	Thrust washer,set		
	3580543	2	Thrust washer,set		Lower
	(876688)	1	Repair kit,fuel feed pump	5490	Obsolete part
	(3580192)	1	* Tappet		Obsolete part
	3580197	1	* O-ring		
	3580200	1	* Gasket		
	877400	1	Impeller		
	860921	1	* Gasket		
	3583809	2	* O-ring		
	3862178	1	* Grease		
	877419	1	Overhaul gasket kit,reconditioning		
	11992	4	* Gasket		
	11994	2	* Gasket		
	11996	3	* Gasket		
	861851	1	* O-ring		
	861897	1	* O-ring		
	861997	1	* O-ring		
	957177	4	* Gasket		
	969011	5	* Gasket		
	3580035	1	* O-ring		
	3580040	2	* O-ring		
	3580047	1	* O-ring		
	3580087	1	* Sealing ring		
	3580092	1	* Sealing ring		
	3589332	1	* O-ring		
	3580576	1	* Plate		
	3580378	1	* Gasket		
	3580380	1	* O-ring		
	3580586	1	* Sealing ring		
	3583552	1	* Gasket		
	3583581	2	* O-ring		
	3583700	1	* Sealing		
	3583707	1	* Gasket		
	3583710	1	* Gasket		
	3589332	1	* O-ring		
	3589335	1	* Gasket		
	969011	2	* Gasket		
	877418	1	Repair kit,sea water pump		
		1	* Shaft		
	3583985	1	* Cardboard tube		
	3583809	1	* O-ring		
	841693	4	* Screw		
	3583987	1	* Sealing ring		
	3583988	1	* Washer		
	925057	1	* O-ring		
	860202	2	* Bearing		(3583989)
	914451	1	* Snap ring		
		1	* Wear ring		
	3583991	1	* Locking clip		
	3583992	1	* Sealing ring		
	3583993	1	* Plug		
	3583994	1	* Plug		
	3589322	1	Gasket kit,decarbonizing		
	11992	4	* Gasket		
	861897	1	* O-ring		
	861997	1	* O-ring		
	889486	1	* Gasket		
	3580077	4	* Gasket		
	21228429	1	* Cylinder head gasket		
	3583546	1	* Gasket		
	3580499	4	* Gasket		
	3583658	1	* Gasket		
	3583754	1	* Gasket		
	3584112	1	* Gasket		
	3589321	1	Gasket kit,exhaust manifold		D2-55A, D2-55B
	11992	4	* Gasket		
	859834	1	* Gasket		
	859835	1	* Gasket		
	3580514	1	* Sealing ring		
	3583780	1	* Gasket		
	3583781	1	* Gasket		
	3580818	4	* O-ring		
	3589455	1	Gasket kit,exhaust manifold		D2-55C
	11992	4	* Gasket		
	859835	1	* Gasket		

REF	PART NO.	QTY	DESCRIPTION	SEE SEC.	NOTES
	888596	1	* Gasket		
	3583830	1	* O-ring		
	3581070	4	* O-ring		
	3583781	1	* Gasket		
	3586514	1	* O-ring		
	21112450	1	Rubber bellows,S-drive		
		1	Cover plate		
	8260041	1	Spacer disc		
		1	Rubber bellows		
		1	Label		
	21112496	1	Sealing ring kit		120S, MS25S
	852668	1	Locking wire		
	925256	1	O-ring		
	3856834	1	Gasket		
	21112497	1	Sealing ring kit		130S, 150S
	925256	1	O-ring		
	944364	2	O-ring		
	976994	1	O-ring		
	3586693	1	Gasket		
	(877398)	1	Onboard kit		Obsolete part
	11992	4	* Gasket		
	11994	4	* Gasket		
	19923	2	* Bulb		
	840785	2	* Screw		
	858283	1	* Tape		
	858635	1	* Bag		
	861477	1	* Fuel filter		
	873566	1	* Fuse box		
	877400	1	* Impeller		
		1	* * Impeller		
	860921	1	* * Gasket		
	3583809	1	* * O-ring		
	3862178	1	* * Grease		
	(876688)	1	* Repair kit		Obsolete part
	853548	1	* Hose clamp		
	961669	1	* Hose clamp		
	978710		* V-belt		(967114)
	3812280	1	* * Onboard kit		D2-55C
			* Bulletin P-26-6-3	P-26-6-3-EN	Impeller kits, D2-75
1	11992	4	* * Gasket		
	11994	4	* * Gasket		
	19923	2	* * Bulb		
	840785	2	* * Screw		
	858283	1	* * Tape		
	858635	1	* * Bag		
	861477	1	* * Fuel filter		
	873566	1	* * Fuse box		
	3862567	1	* * Impeller kit		
			* Bulletin P-26-6-2	P-26-6-2-EN	Impeller kits, Gas, to 2005
1	(3862465)	1	* * * Impeller		Obsolete part
	3858938	1	* * * O-ring		
	3862178	1	* * * Grease		
	853548	1	* * Hose clamp		
	961669	1	* * Hose clamp		
	3584086	1	* * Belt		
	3888305	1	Anode kit,zinc anode		
	(3887358)	1	* Anode,left		Obsolete part
	(3887360)	1	* Anode,right		Obsolete part
	963688	2	* Hex. socket screw		
	3888306	1	Anode kit,magnesium anode		
	(3887362)	1	* Anode,left		Obsolete part
	(3887363)	1	* Anode,right		Obsolete part
	963688	2	* Hex. socket screw		
	3589326	1	Overhaul kit,sub unit		
	3580569	1	* Gear		
	21169678	1	* Water pump		(3583561)
	3801345	1	* Coolant pump, exch		(3583561)
	3580592	4	* Injector		
	3803442	4	* Injector, exch		
	877720	1	Overhaul kit,basic		
	3583693	4	Piston ring		
	877387	1	Main bearing kit		
	877388	1	Big-end bearing kit		
	877419	1	Overhaul gasket kit		
	3583674	1	Thrust washer		
	3580543	2	Thrust washer		
	3589322	1	Gasket kit		
	3589321	1	Gasket kit		
	(21282754)	1	Repair kit,oil suction pipe		Obsolete part
	21194503	1	* Pipe		
	3583552	1	* Gasket		
	861997	1	* O-ring		



20795

REF	PART NO.	QTY	DESCRIPTION	NOTES
1	3583549	1	Crankshaft	
2	3580532	1	* Gear	D2-55A
	21274781	1	* Gear	D2-55F
3	861969	1	* Woodruff key	
4	861934	1	* Key	
5	877387	1	Main bearing kit	D2-55A
6	3583674	1	Thrust washer, upper	
7	3580543	2	Thrust washer, lower	
8		1	Main bearing	
9		1	Main bearing	
10		1	Main bearing	
11		1	Main bearing	
12		4	Pin	
13	965221	8	Flange screw	
14	965188	3	Flange screw	
15	3583673	2	Screw	
16	3583683	4	Connecting rod	
17	3580553	1	* Bushing	
18	3580554	2	* Screw	
19	3580555	2	* Nut	
20	877388	1	Big-end bearing kit	D2-55A
21	21318269	4	Piston kit	D2-55A
22	3583693	4	* Piston ring	D2-55A
23	3580550	4	Piston pin	
24	3580551	8	Lock ring	
25	3583685	1	Pulley	For V-belt
	3584084	1	Pulley	For drive belt
	21194509	1	Pulley	For drive belt
26	3580563	1	Nut	



18952

--

REF	PART NO.	QTY	DESCRIPTION	NOTES
1	3580100	1	Feed pump	
2		1	* Housing	
3		1	* Spring	Included in overhaul kit.
4	(3580192)	1	* Tappet	Obsolete part
5		1	* Spring	Included in overhaul kit.
6		1	* Diaphragm	Included in overhaul kit.
7		1	* Pin	Included in overhaul kit.
8		1	* Lever	Included in overhaul kit.
9	3580197	1	* O-ring	Included in overhaul kit.
10		1	* Spring	Included in overhaul kit.
11		1	* Pin	Included in overhaul kit.
12	3580200	1	* Gasket	Included in overhaul kit.
13		1	* Cover	
14	(3580202)	6	* Screw	Obsolete part
15	11992	4	* Gasket	
16	3580204	2	* Hollow screw	
17		1	* Housing	
18	(876688)	1	Repair kit	Obsolete part

--

DESCRIPTION	SEE SEC.	NOTES
Cylinder Head	6769	D2-75A, D2-75B, D2-75C
Cylinder Head	35120	D2-75F
Cylinder Block and Flywheel Housing	6740	D2-75A, D2-75B, D2-75C
Cylinder Block and Flywheel Housing	35177	D2-75F
Timing Gear Housing	5479	D2-75A, D2-75B, D2-75C
Timing Gear Housing	35356	D2-75F
Camshaft and Gears	6743	D2-75A, D2-75B, D2-75C
Camshaft and Gears	35121	D2-75F
Crank Mechanism	6745	D2-75A, D2-75B, D2-75C, D2-75F
Engine Suspension for Reverse Gear	6753	D2-75A, D2-75B, D2-75C, D2-75F
Engine Suspension, Sail Boat Drive Unit	9949	D2-75A, D2-75B, D2-75C, D2-75F
Extra Pulley	9305	D2-75A, D2-75B, D2-75C, D2-75F



--

DESCRIPTION	SEE SEC.	NOTES
Lubricating System	6770	D2-75A, D2-75B, D2-75C
Lubricating System	35188	D2-75F
Electrical Oil Bilge Pump 12V	8312	D2-75A, D2-75B, D2-75C, D2-75F
Electrical Oil Bilge Pump 24V	8317	D2-75A, D2-75B, D2-75C, D2-75F



--

DESCRIPTION	SEE SEC.	NOTES
Fuel Filter and Feed Pump	6754	D2-75A, D2-75B, D2-75C
Fuel Filter and Feed Pump	35134	D2-75F
Fuel Injection Pump, Components	8184	D2-75A, D2-75B, D2-75C
Fuel System	5492	D2-75A, D2-75B, D2-75C
Fuel System	35132	D2-75F
Fuel Injector, Components	232	D2-75A, D2-75B, D2-75C, D2-75F
Regulation System	6810	D2-75A, D2-75B, D2-75C
Regulation System	35358	D2-75F
Fuel Tank 20 L	211	D2-75A, D2-75B, D2-75C, D2-75F
Fuel Tank 40L, with Connections	21534	D2-75A, D2-75B, D2-75C, D2-75F
Fuel Filter and Water Separator	292	D2-75A, D2-75B, D2-75C, D2-75F
Fuel Filter and Water Separator, RINA-approved	293	D2-75A, D2-75B, D2-75C, D2-75F
Fuel Filter and Water Separator	9024	D2-75A, D2-75B, D2-75C, D2-75F
Fuel Filter and Water Separator, RINA-approved	9025	D2-75A, D2-75B, D2-75C, D2-75F
Fuel Filter and Water Separator	9044	D2-75A, D2-75B, D2-75C, D2-75F

--	--	--

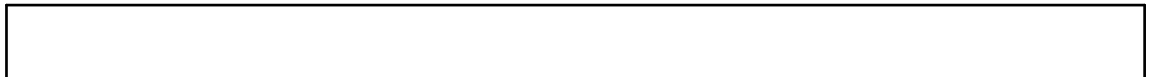
--

DESCRIPTION	SEE SEC.	NOTES
Silencer, Inlet	6755	D2-75A, D2-75B, D2-75C, D2-75F
Turbo, Induction and Exhaust Manifold	6806	D2-75A, D2-75B, D2-75C
Turbo, Induction and Exhaust Manifold	35257	D2-75F
Water Cooled Silencer and Exhaust Line	1007	D2-75A, D2-75B, D2-75C, D2-75F

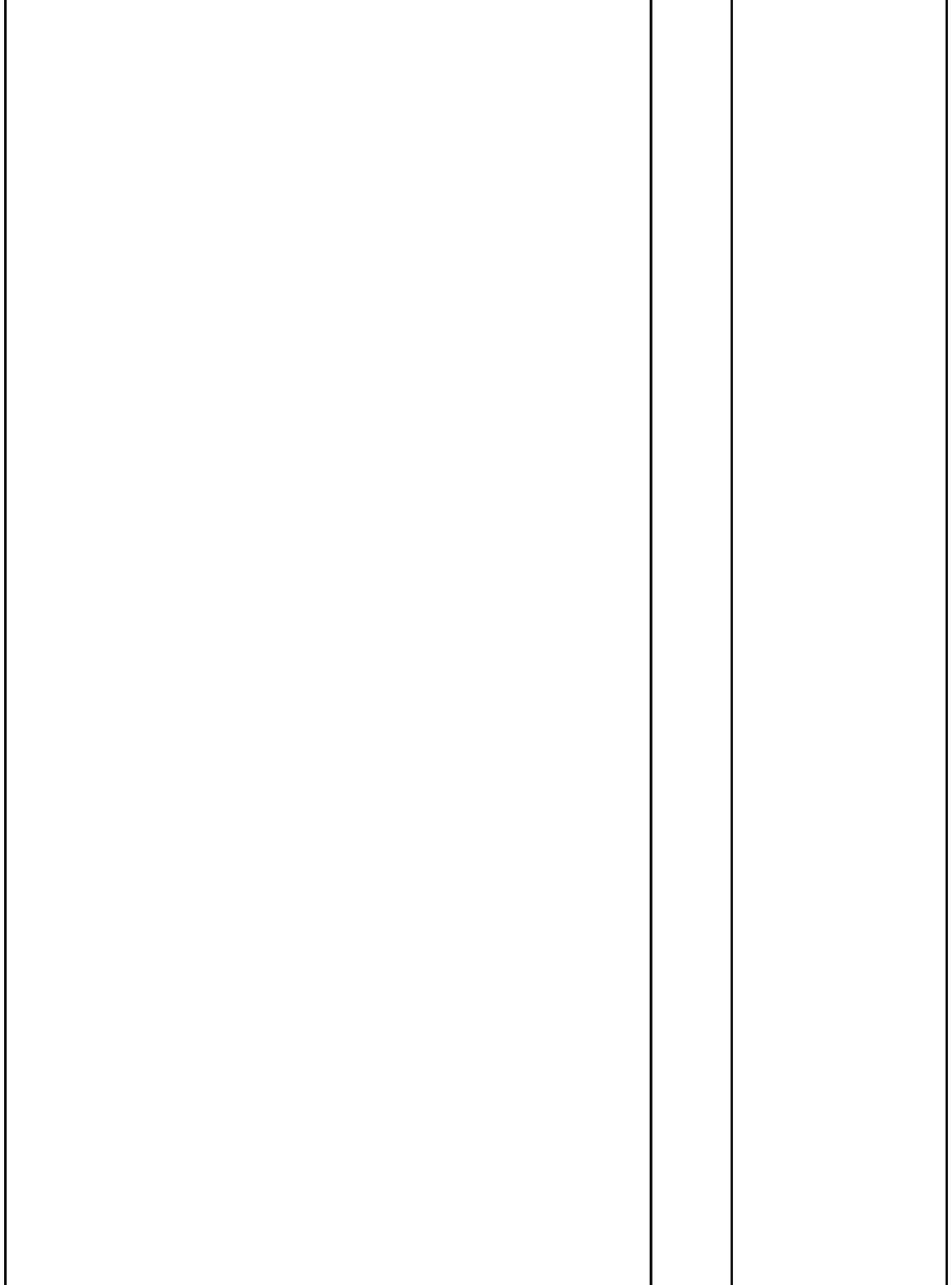
DESCRIPTION	SEE SEC.	NOTES
Heat Exchanger	6772	D2-75A
Heat Exchanger	21512	D2-75B, D2-75C, D2-75F
Heat Exchanger, Components	9867	D2-75A, D2-75B, D2-75C, D2-75F
Water Pump	6773	D2-75A, D2-75B, D2-75C
Water Pump	35136	D2-75F
Aftercooler	7143	D2-75A, D2-75B, D2-75C, D2-75F
After Cooler, Components	7144	D2-75A, D2-75B, D2-75C, D2-75F
Sea Water Pump	6946	D2-75A, D2-75B, D2-75C, D2-75F
Sea Water Pump, Components: 3583089	7171	D2-75A, D2-75B, D2-75C, D2-75F
Expansion Tank	7111	D2-75A, D2-75B, D2-75C, D2-75F
Cooling Water Intake	9346	D2-75A, D2-75B, D2-75C, D2-75F
Sea Water Filter	5517	D2-75A, D2-75B, D2-75C, D2-75F
Sea Water Filter	5521	D2-75A, D2-75B, D2-75C, D2-75F
Sea Water Filter	207	D2-75A, D2-75B, D2-75C, D2-75F
Vacuum Valve	9760	D2-75A, D2-75B, D2-75C, D2-75F
Cooling Water Intake	9864	D2-75A, D2-75B, D2-75C, D2-75F

DESCRIPTION	SEE SEC.	NOTES
Control Connection, Speed and Stop Control	5506	D2-75A, D2-75B, D2-75C
Control Connection	35359	D2-75F
Handle for Control	266	D2-75A, D2-75B, D2-75C, D2-75F
Control for top Installation, PC740 Sail Boat	267	D2-75A, D2-75B, D2-75C, D2-75F
Control for top Installation, PC740, Single	9532	D2-75A, D2-75B, D2-75C, D2-75F
Control for top Installation, PC740, Twin	9533	D2-75A, D2-75B, D2-75C, D2-75F
Control for Side Installation, PC741	9534	D2-75A, D2-75B, D2-75C, D2-75F
Control for Side Installation, PC741, Sail Boat	9535	D2-75A, D2-75B, D2-75C, D2-75F
Control for Side Installation, PC841	9536	D2-75A, D2-75B, D2-75C, D2-75F
Control for top Installation, PC840, Single	9950	D2-75A, D2-75B, D2-75C, D2-75F
Control for top Installation, PC840, Twin	9951	D2-75A, D2-75B, D2-75C, D2-75F
Control Cables	36542	D2-75A, D2-75B, D2-75C, D2-75F
Control Cables, Type 233, 333, 443: Type 233	231	D2-75A, D2-75B, D2-75C, D2-75F
Control Cables, Type 233, 333, 443: Type 333	231B	D2-75A, D2-75B, D2-75C, D2-75F
Control Cables, Type 233, 333, 443: Type 443	231C	D2-75A, D2-75B, D2-75C, D2-75F
Dual Station Unit	277	D2-75A, D2-75B, D2-75C, D2-75F

DESCRIPTION	SEE SEC.	NOTES
Extra Alternator	35820	D2-75C
Alternator	6749	D2-75A, D2-75B, D2-75C, D2-75F
Extra Alternator	5510	D2-75A, D2-75B, D2-75C
Alternator 14V 115A, Components	9893	D2-75A, D2-75B, D2-75C, D2-75F
Mounting Kit for Mastervolt Alternator	9887	D2-75A, D2-75B, D2-75C, D2-75F
Charging Distributor	258	D2-75A, D2-75B, D2-75C, D2-75F
Starter Motor	5497	D2-75A, D2-75B, D2-75C, D2-75F
Starter Motor, Components	5498	D2-75A, D2-75B, D2-75C, D2-75F
EVC Electrical System D2	21496	D2-75B, D2-75C, D2-75F
EVC Electrical Materials and Instrument D1-D2	21457	D2-75B, D2-75C, D2-75F
EVC Control Unit and Cables D1-D2	21459	D2-75B, D2-75C, D2-75F
Electrical System	6757	D2-75A
Instrument Panel Standard, with Start Button	21483	D2-75A
Instrument Panel Standard, with Key Switch	5501	D2-75A
Instrument Panel De Luxe	21623	D2-75A
Instrument Panel 24V	6551	D2-75A
Extra Instrument Panel	21485	D2-75A
Extra Instrument Panel, Hour Meter and Volt Meter	21504	D2-75A
Exhaust Thermo Switch Control	5522	D2-75A
Rudder Indicator Kit for Reverse Gear	21488	D2-75A
Clock Kit	21486	D2-75A
Alarm Panel	21487	D2-75A
Tank Meter Kit for Fuel	21490	D2-75A
Tank Meter Kit for Fresh Water	21491	D2-75A
Main Battery Switch	260	D2-75A, D2-75B, D2-75C, D2-75F
Electrical Materials	1963	D2-75A, D2-75B, D2-75C, D2-75F
Electrical Materials	1964	D2-75A, D2-75B, D2-75C, D2-75F
Electrical Materials	1965	D2-75A, D2-75B, D2-75C, D2-75F



DESCRIPTION	SEE SEC.	NOTES
Connecting Components for MS25L-A och MS25A-A	5508	D2-75A, D2-75B, D2-75C, D2-75F
Connecting Kit for Reverse Gear HS25A-A, HS25A-B	5505	D2-75A, D2-75B, D2-75C, D2-75F
Connecting Components for S-drive MS25S/SR	6948	D2-75A, D2-75B, D2-75C, D2-75F
Connecting Kit for S-drive 150S/SR	9902	D2-75A, D2-75B, D2-75C, D2-75F
Connecting Kit for Trolling Valve, HS25A-A	9911	D2-75A, D2-75B, D2-75C, D2-75F
Propeller Shaft Sleeve	9944	D2-75A, D2-75B, D2-75C, D2-75F
Propeller Shaft Stuffing Box	9705	D2-75A, D2-75B, D2-75C, D2-75F
Stern Bearing	9706	D2-75A, D2-75B, D2-75C, D2-75F
Folding Propeller 3-blade	4206	D2-75A, D2-75B, D2-75C, D2-75F
Folding Propeller, 2-blade	4223	D2-75A, D2-75B, D2-75C, D2-75F
Propeller for S-drive	229	D2-75A, D2-75B, D2-75C, D2-75F
Folding Propeller 4-blade	22467	D2-75A, D2-75B, D2-75C, D2-75F
Bronze Propeller and Zinc Anode, Acc. to ISO-Std	373	D2-75A, D2-75B, D2-75C, D2-75F
Greaser and Stuffing Box	374	D2-75A, D2-75B, D2-75C, D2-75F
Shaft Coupling, Flexible	381	D2-75A, D2-75B, D2-75C, D2-75F



--

DESCRIPTION	SEE SEC.	NOTES
Steering System, Hydraulic	9669	D2-75A, D2-75B, D2-75C, D2-75F
Steering System, Hydraulic, Single and Dual Installation	9670	D2-75A, D2-75B, D2-75C, D2-75F
Steering System, Mechanical	9308	D2-75A, D2-75B, D2-75C, D2-75F
Steering System, Mechanical with Tilt	9309	D2-75A, D2-75B, D2-75C, D2-75F

--

DESCRIPTION	SEE SEC.	NOTES
Universal Bracket for S-drive	9961	D2-75A, D2-75B, D2-75C, D2-75F
Universal Bracket for Reverse Gear	6908	D2-75A, D2-75B, D2-75C, D2-75F

--

DESCRIPTION	SEE SEC.	NOTES
Repair Kits	6910	D2-75A, D2-75B, D2-75C



REF	DESCRIPTION	SEE SEC.
21	Engine	21
22	Lubricating System	22
23	Fuel System	23
25	Intake and Exhaust System	25
26	Cooling System	26
27	Controls	27
30	Electrical System	30
44	Transmissions	44
64	Steering System	64
90	Miscellaneous Equipment	90
99	Repair Kits	99