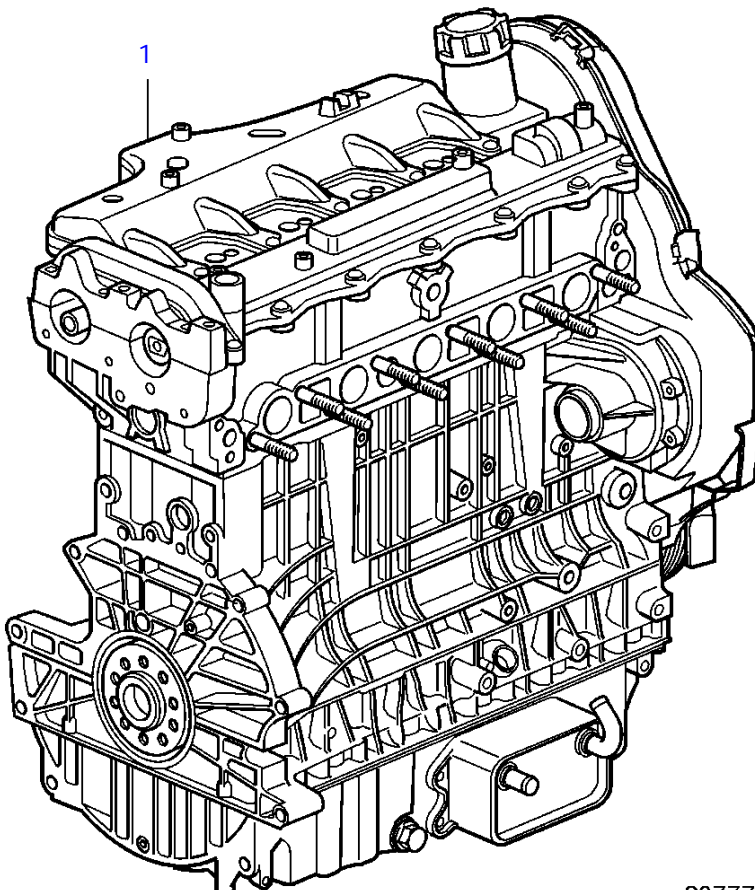
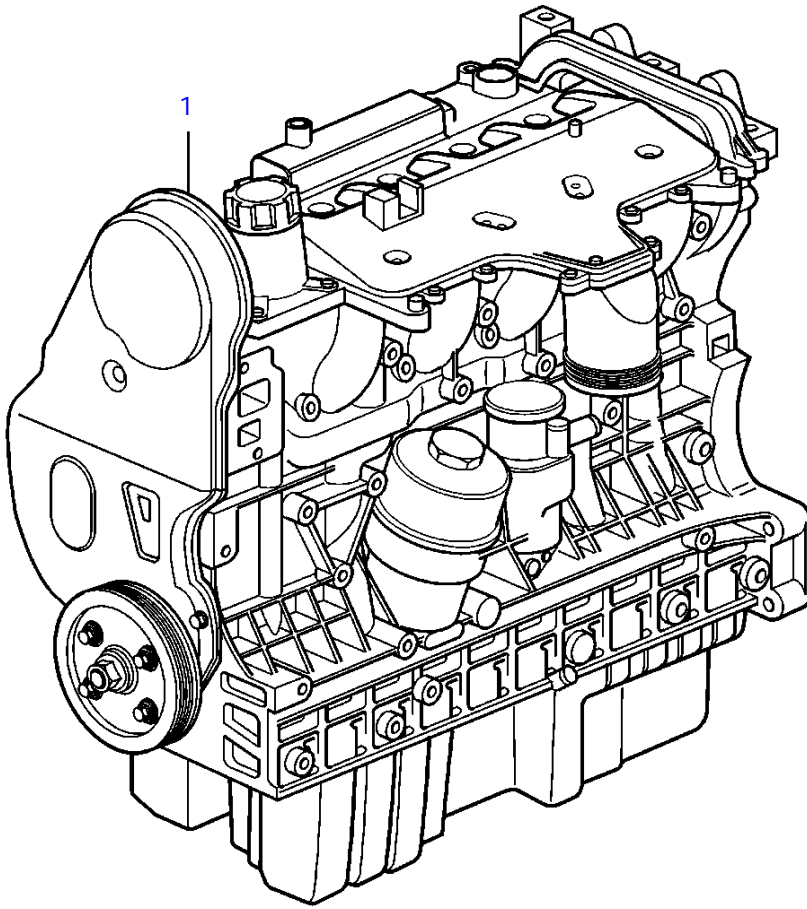


D3-110I-A, D3-130A-A, D3-130I-A, D3-160A-A, D3-160I-A



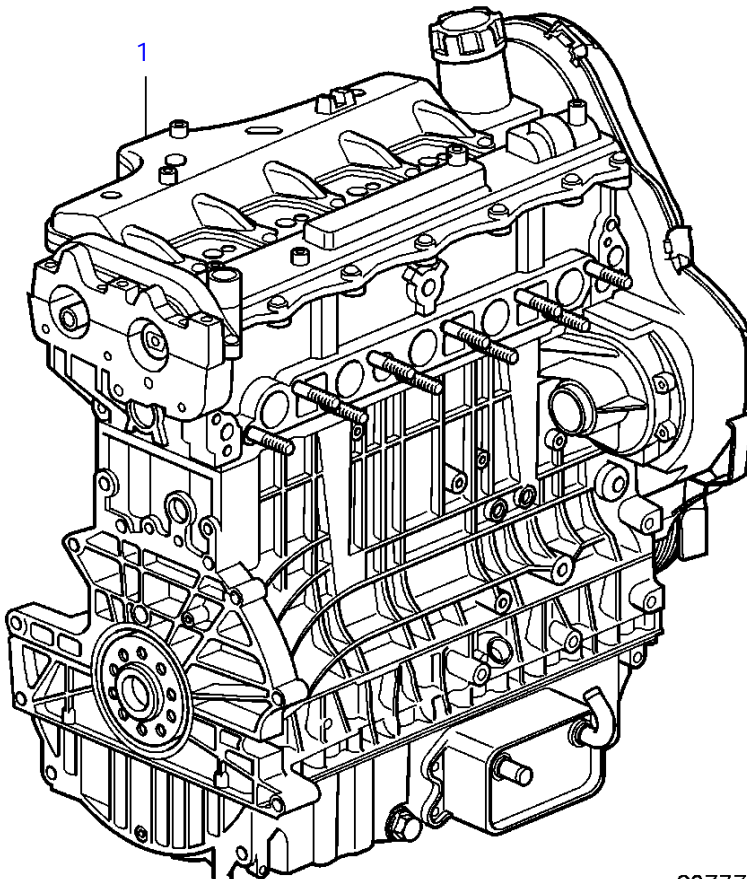
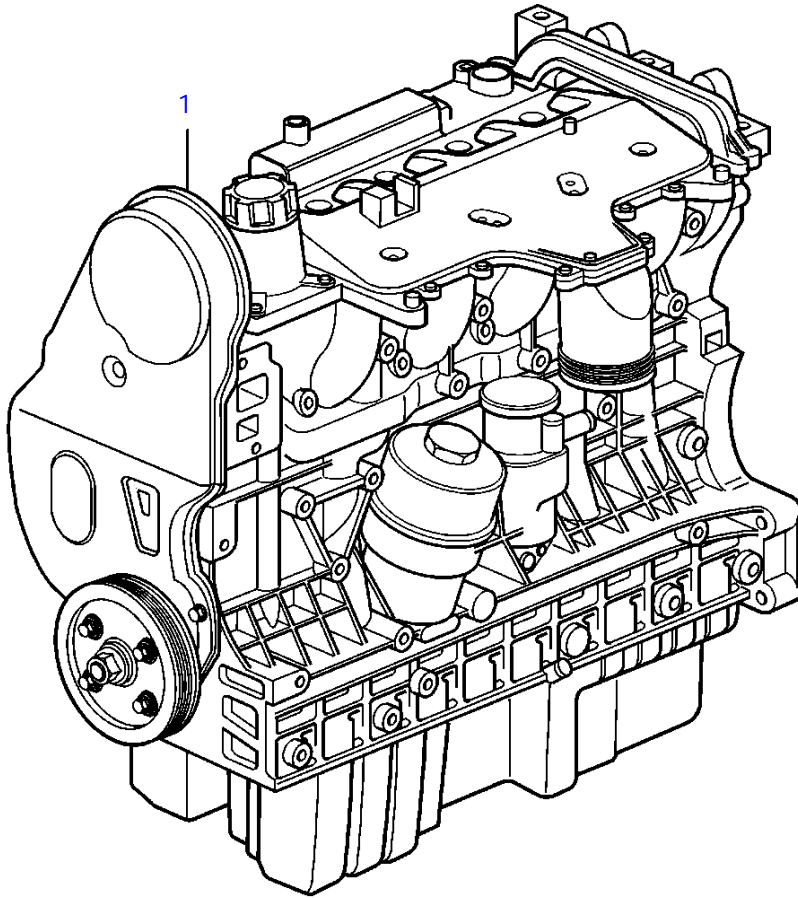
23777

D3-110I-A, D3-130A-A, D3-130I-A, D3-160A-A, D3-160I-A

REF	PART NO.	QTY	DESCRIPTION	SEE SEC.	NOTES
1	3801175	1	Longblock engine • Bulletin P-21-0-20	P-21-0-20-EN	Longblocks for Diesel Engines



D3-110I-B, D3-110I-C, D3-130A-B, D3-130I-B, D3-130A-C, D3-130I-C, D3-160A-B, D3-160I-B, D3-160A-C, D3-160I-C,  
D3-190A-B, D3-190I-B, D3-190A-C, D3-190I-C



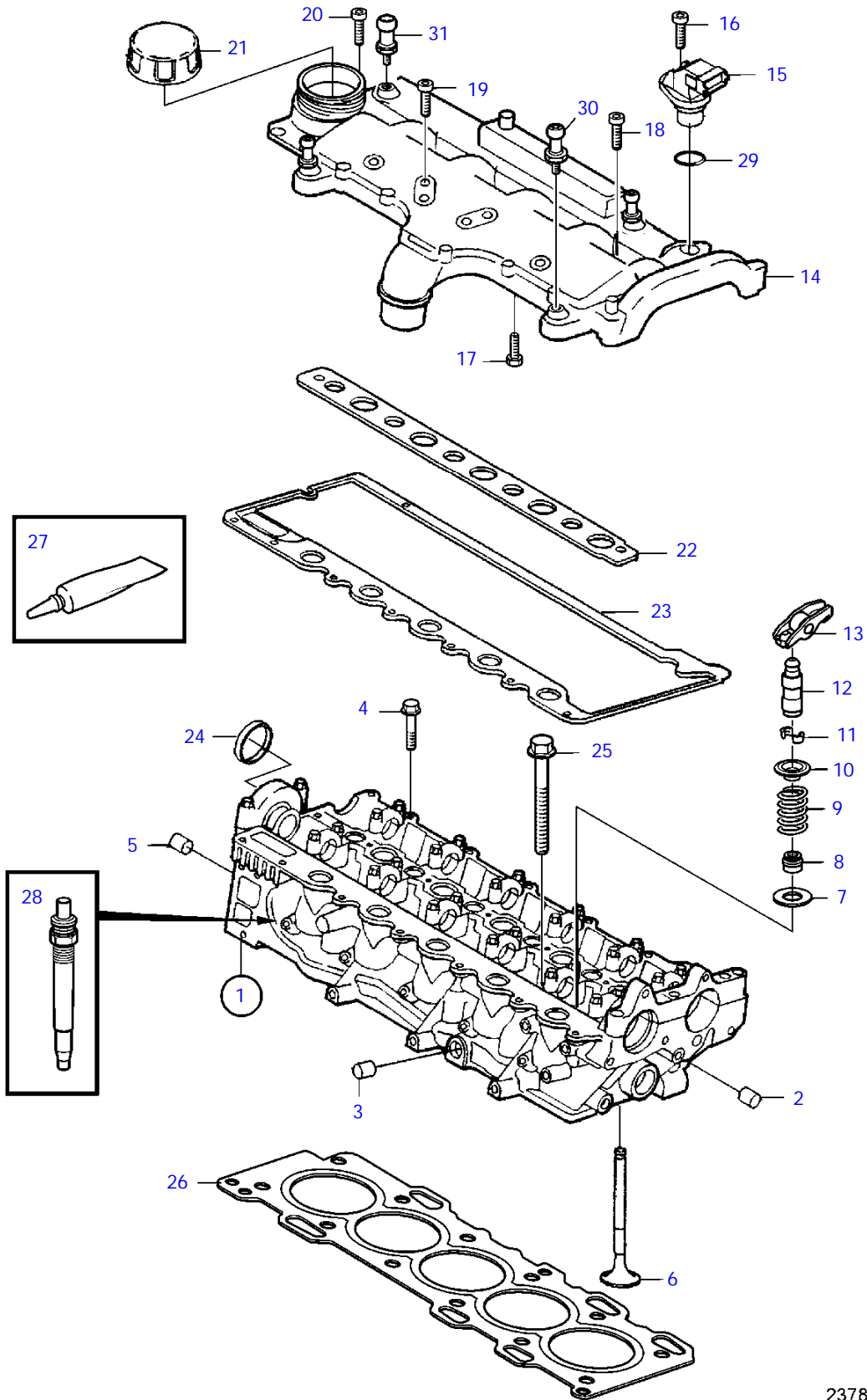
23777

D3-110I-B, D3-110I-C, D3-130A-B, D3-130I-B, D3-130A-C, D3-130I-C, D3-160A-B, D3-160I-B, D3-160A-C, D3-160I-C, D3-190A-B, D3-190I-B, D3-190A-C, D3-190I-C

REF	PART NO.	QTY	DESCRIPTION	SEE SEC.	NOTES
1	3801151	1	Longblock engine • Bulletin P-21-0-20	P-21-0-20-EN	Longblocks for Diesel Engines



D3-110I-A, D3-130A-A, D3-130I-A, D3-160A-A, D3-160I-A

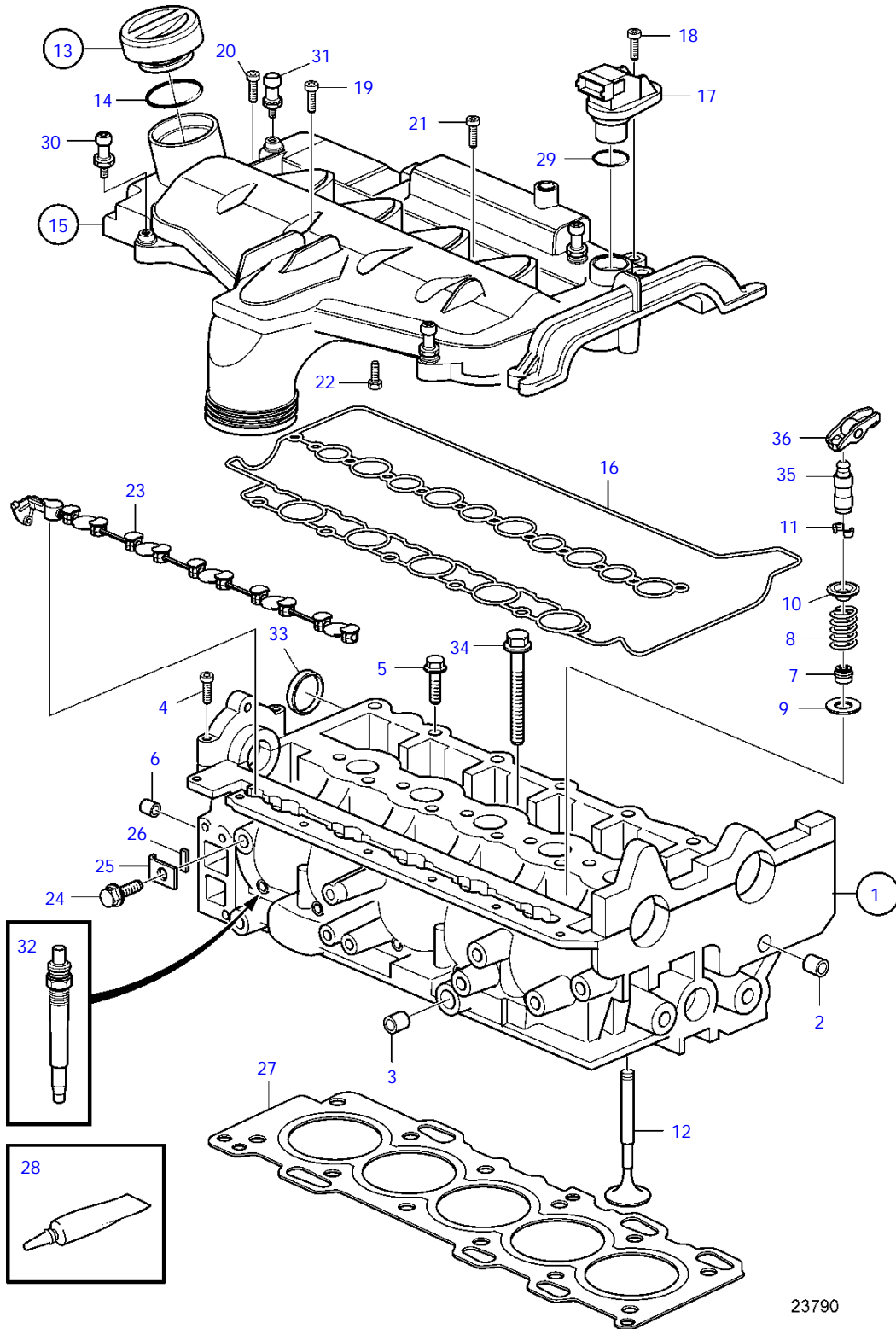


23789

D3-110I-A, D3-130A-A, D3-130I-A, D3-160A-A, D3-160I-A

REF	PART NO.	QTY	DESCRIPTION	NOTES
1	3803856	1	Cylinder head	(3803647)
2	946780	1	* Cap plug	
3	946779	2	* Cap plug	
4	965212	24	* Flange screw	M6x35mm
5	981713	3	* Plug	
6	8631650	10	* Inlet valve, intake	
	8631651	10	* Exhaust valve, exhaust	
7	8631655	20	* Valve spring washer	
8	8631652	20	* Valve stem seal	
9	8631656	20	* Valve spring	
10	8631654	20	* Valve spring washer	
11	9454613	40	* Valve collet	
12	31251885	20	Pivot	
13	8670045	20	Tappet	
14	8692397	1	Valve cover	
15	8631533	1	Camshaft position se	
16	986214	1	6 point socket screw	
17	982483	3	6 point socket screw	M6x14
18	982484	19	6 point socket screw	M6x20mm
19	982486	4	6 point socket screw	M6x45
20		11	Flange screw	
21	1275403	1	Oil filler cap	
22	8642665	1	Gasket	
23	8692438	1	Gasket	
24	8631561	1	Sealing ring	
25	9497825	12	Screw, cylinder head	
26	30731261	1	Cylinder head gasket	Gasket with 1 hole., Class A, (30650521)
	30731262	1	Cylinder head gasket	Gasket with 2 hole., Class B, (30650522)
	30731263	1	Cylinder head gasket	Gasket with 3 hole., Class C, (30650523)
	30650524	1	Gasket	Gasket with 4 hole., Class D
	30650525	1	Gasket	Gasket with 5 hole., Class E
27	1161059	1	Sealing compound	SN-2003004733, SN2003004843, SN2003004845, SN2003004852, SN2003004853, SN2003004857
	1161771	1	Sealing compound	SN2003004734-
28	8631607	5	Glow plug	12V, SOLAS
29	30756062	1	O-ring	
30	30731216	3	Stud bolt	
31	3812606	1	Ball stud	

D3-110I-B, D3-110I-C, D3-130A-B, D3-130I-B, D3-130A-C, D3-130I-C, D3-160A-B, D3-160I-B, D3-160A-C, D3-160I-C, D3-190A-B, D3-190I-B, D3-190A-C, D3-190I-C



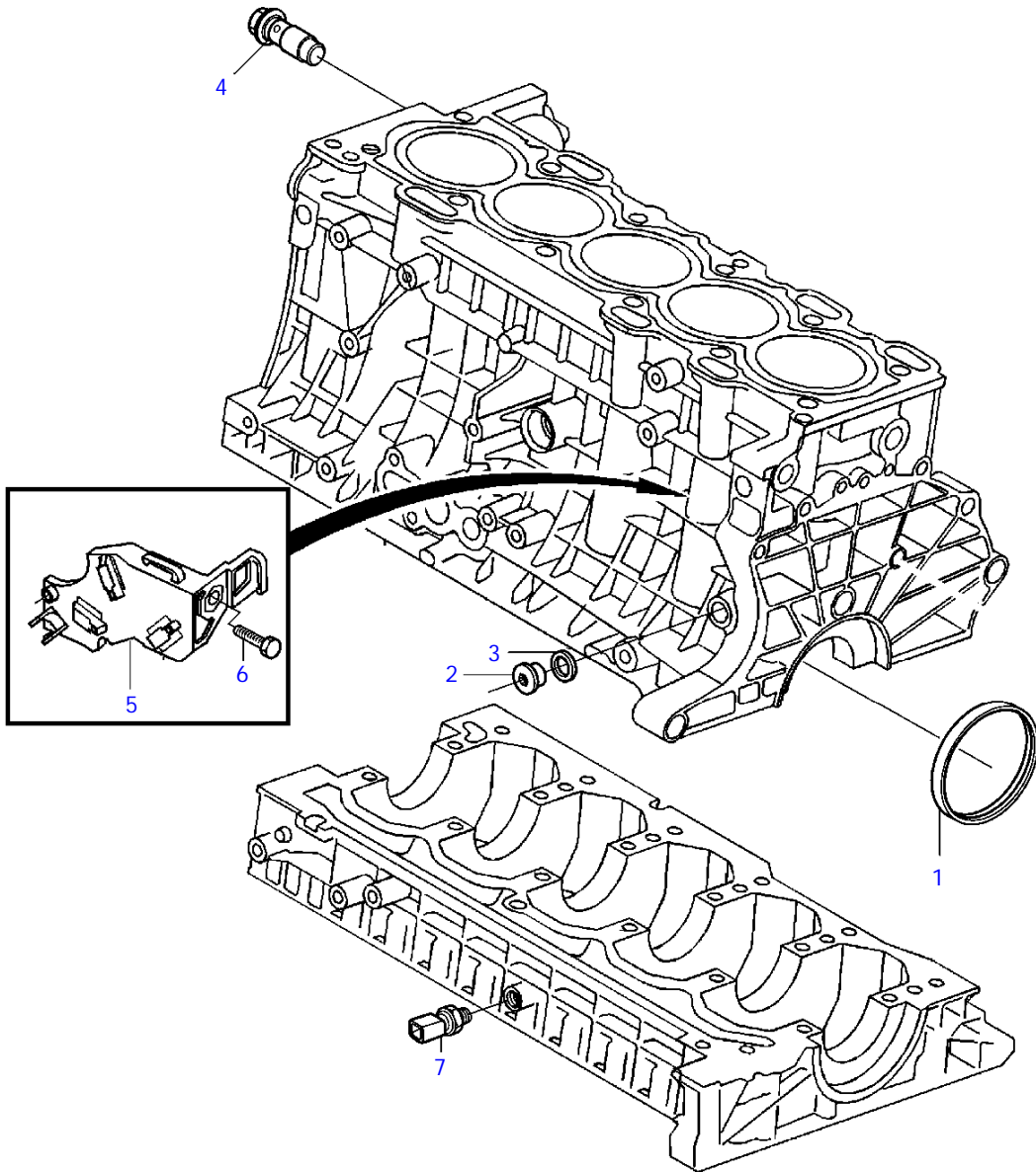
23790

D3-110I-B, D3-110I-C, D3-130A-B, D3-130I-B, D3-130A-C, D3-130I-C, D3-160A-B, D3-160I-B, D3-160A-C, D3-160I-C, D3-190A-B, D3-190I-B, D3-190A-C, D3-190I-C

REF	PART NO.	QTY	DESCRIPTION	NOTES
1	3803986	1	Cylinder head, exch	
2	946780	1	* Cap plug	
3	946779	2	* Cap plug	
4	986322	5	* 6 point socket screw	M7x50mm
5	982761	24	* Flange screw	
6	981713	3	* Plug	
7	8631652	20	* Valve stem seal	
8	8631656	20	* Valve spring	
9	8631655	20	* Valve spring washer	
10	8631654	20	* Valve spring washer	
11	9454613	40	* Valve collet	
12	8631650	10	* Inlet valve, intake	
	8631651	10	* Exhaust valve, exhaust	
13	3819129	1	Oil filler cap	
14	3067740	1	* O-ring	
15	30743258	1	Inlet pipe	Replaced by 21283437
	21283437	1	Spare parts kit	
		1	* Inlet pipe	
16	30713459	1	* Gasket	
17	8658726	1	Sensor	
18	946544	1	Flange screw	
19	982486	4	6 point socket screw, intake	
20	987349	12	6 point socket screw	
21	982484	19	6 point socket screw	
22	982483	3	6 point socket screw	
23	30777650	1	Shutter	(30677602)
24	977814	1	Flange screw	
25	3840206	1	Stop bracket	
26	3884720	1	Protecting sleeve	
27	30731261	1	Cylinder head gasket	Gasket with 1 hole., Class A
	30731262	1	Cylinder head gasket	Gasket with 2 hole., Class B
	30731263	1	Cylinder head gasket	Gasket with 3 hole., Class C
	30731264	1	Cylinder head gasket	Gasket with 4 hole., Class D
	30731265	1	Cylinder head gasket	Gasket with 5 hole., Class E
28	1161059	1	Sealing compound	SN-2003004733, SN2003004843, SN2003004845, SN2003004852, SN2003004853, SN2003004857
	1161771	1	Sealing compound	SN2003004734-
29	30756062	1	O-ring	
30	30731216	3	Stud bolt	
31	3812606	1	Ball stud	
32	8631607	5	Glow plug	12V, SOLAS
33	8631561	1	Sealing ring	
34	9497825	12	Screw, cylinder head	
35	31251885		Pivot	
36	8670045	20	Tappet	



D3-110I-A, D3-130A-A, D3-130I-A, D3-160A-A, D3-160I-A



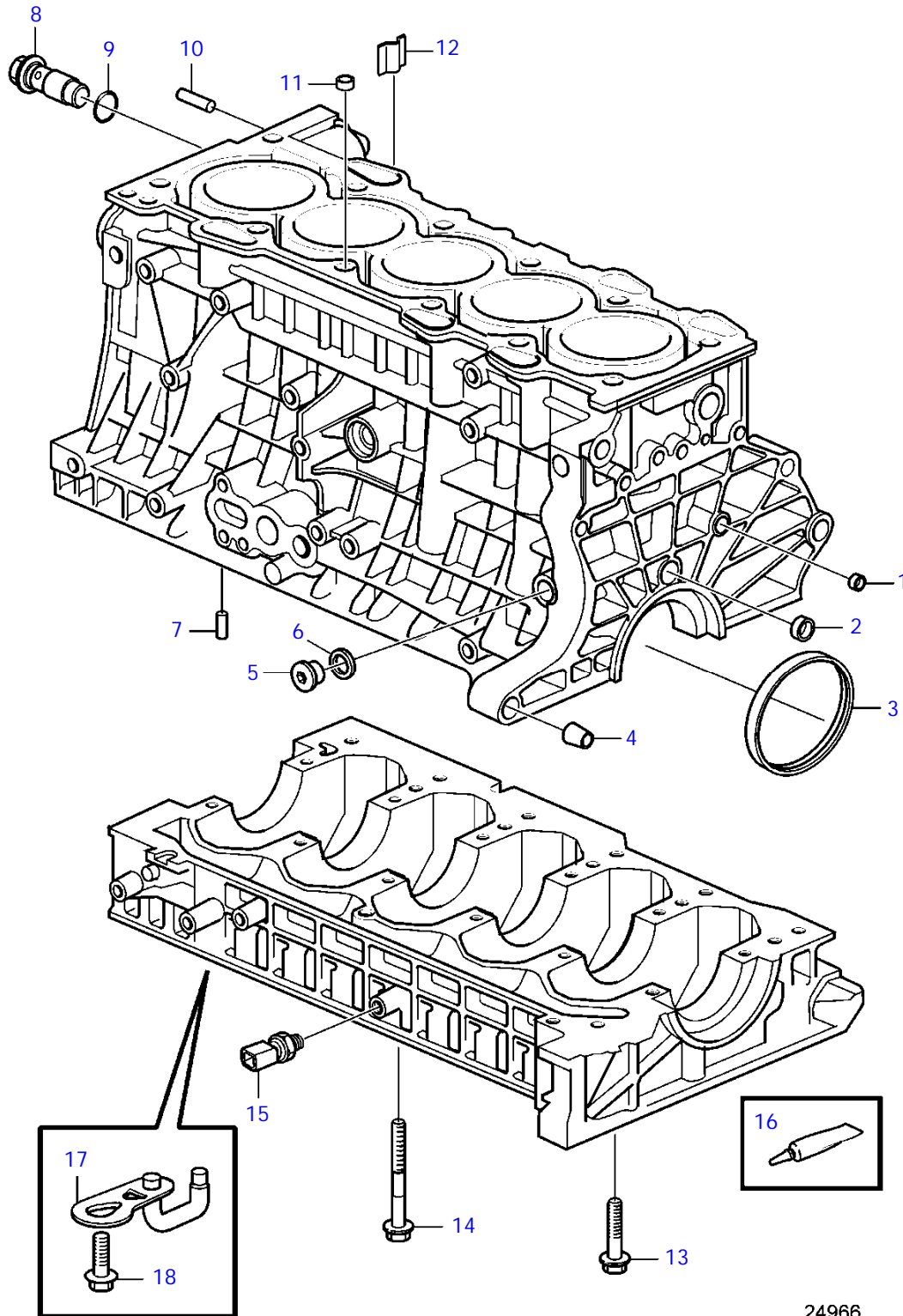
19716

D3-110I-A, D3-130A-A, D3-130I-A, D3-160A-A, D3-160I-A

REF	PART NO.	QTY	DESCRIPTION
1	9458178	1	Sealing ring
2	30713237	1	Plug
3	11996	1	Gasket
4	30677893	1	Piston cooling valve
5	8627161	1	Bracket
6	946752	1	Flange screw
7	3545696	1	Oil pressure gauge



D3-110I-B, D3-110I-C, D3-130A-B, D3-130I-B, D3-130I-C, D3-160A-B, D3-160I-B, D3-160A-C, D3-160I-C, D3-190A-B, D3-190I-B, D3-190A-C, D3-190I-C

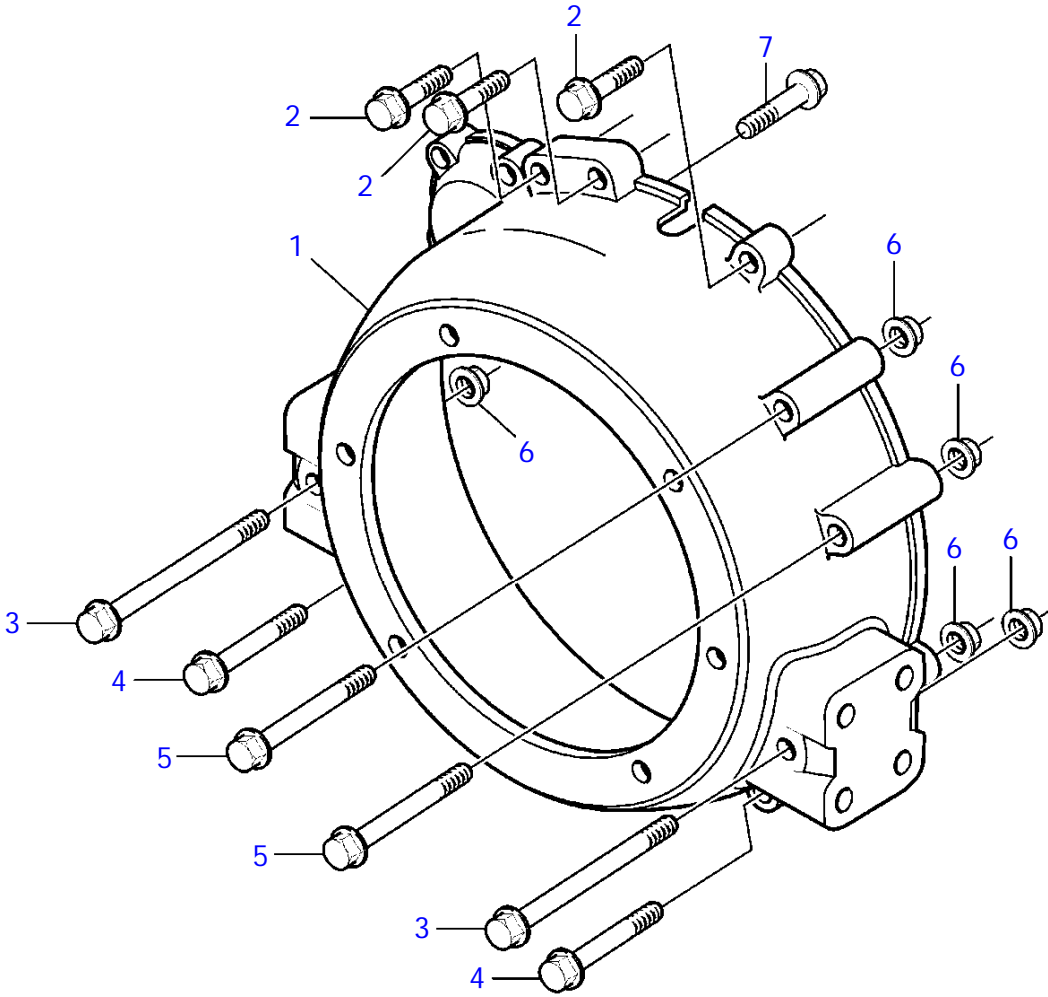


24966

D3-110I-B, D3-110I-C, D3-130A-B, D3-130I-B, D3-130A-C, D3-130I-C, D3-160A-B, D3-160I-B, D3-160A-C, D3-160I-C, D3-190A-B, D3-190I-B, D3-190A-C, D3-190I-C

REF	PART NO.	QTY	DESCRIPTION	NOTES
1	981713	1	Plug	
2	8687868	1	Cap plug	(9687868)
3	9458178	1	Sealing ring	
4	1256394	2	Guide sleeve	
5	30713237	1	Plug	
6	11996	1	Gasket	
7	1383730	5	Locating pin	
8	30677893	1	Piston cooling valve	SN-350113
	30750943	1	Piston cooling valve	SN350114-
9	11998	1	Gasket	
10	950542	2	Pin	
11	1366129	2	Guide sleeve	
12	8631501	1	Guide rail	
13	973905	5	Flange screw	
14	8631499	12	Flange screw	
15	3545696	1	Oil pressure gauge	
16	1161059	1	Sealing compound	SN-2003004733, SN2003004843, SN2003004845, SN2003004852, SN2003004853, SN2003004857
	1161771	1	Sealing compound	SN2003004734-
17	30750790	5	Piston cooling jet	
18	975880	5	Flange screw	

D3-110I-A, D3-110I-B, D3-110I-C, D3-130I-A, D3-130I-B, D3-130I-C, D3-160I-A, D3-160I-B, D3-160I-C, D3-190I-B, D3-190I-C

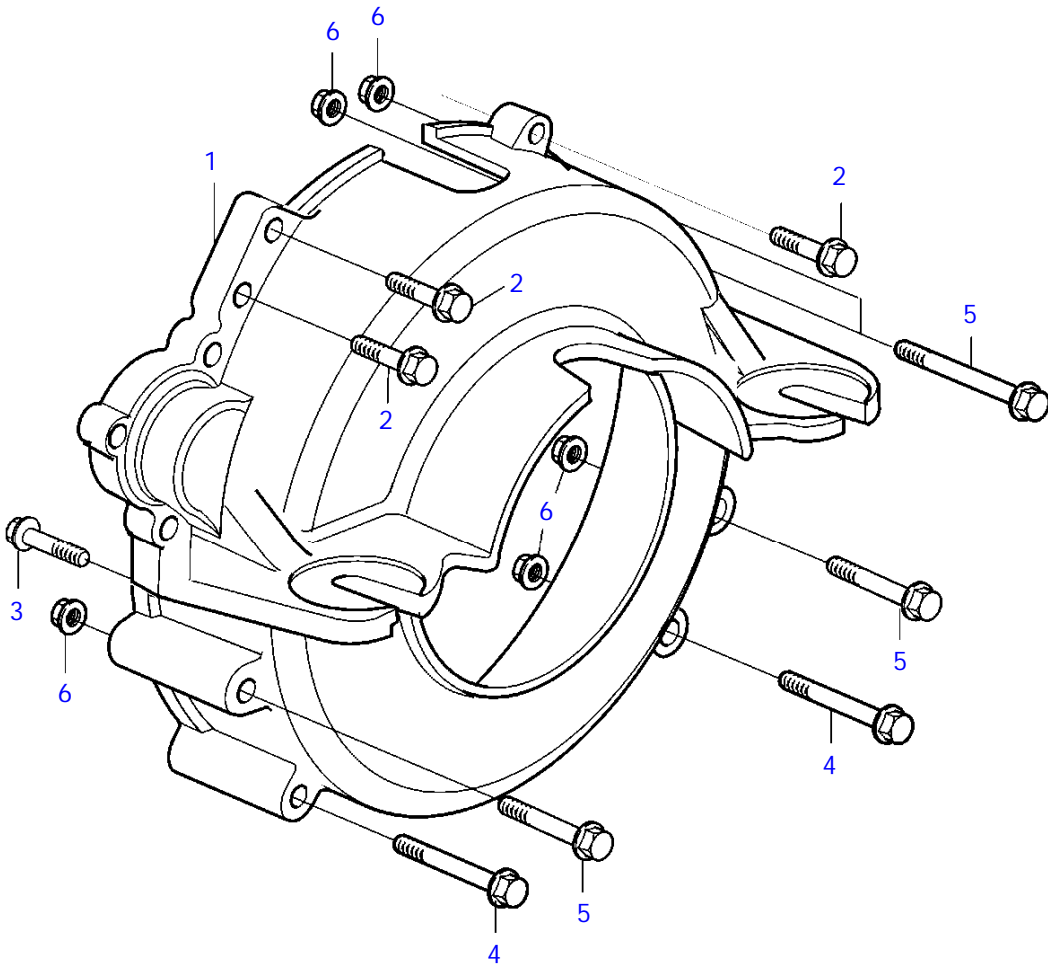


20424

D3-110I-A, D3-110I-B, D3-110I-C, D3-130I-A, D3-130I-B, D3-130I-C, D3-160I-A, D3-160I-B, D3-160I-C, D3-190I-B, D3-190I-C

REF	PART NO.	QTY	DESCRIPTION	NOTES
1	3819096	1	Flywheel housing	
2	965185	3	Flange screw	L=40mm
3	973098	2	Flange screw	L=150mm
4	965189	2	Flange screw	L=90mm
5	969313	2	Flange screw	L=110mm
6	971095	5	Flange nut	
7	965188	1	Flange screw	M10x70mm

D3-130A-A, D3-130A-B, D3-130A-C, D3-160A-A, D3-160A-B, D3-160A-C, D3-190A-B, D3-190A-C



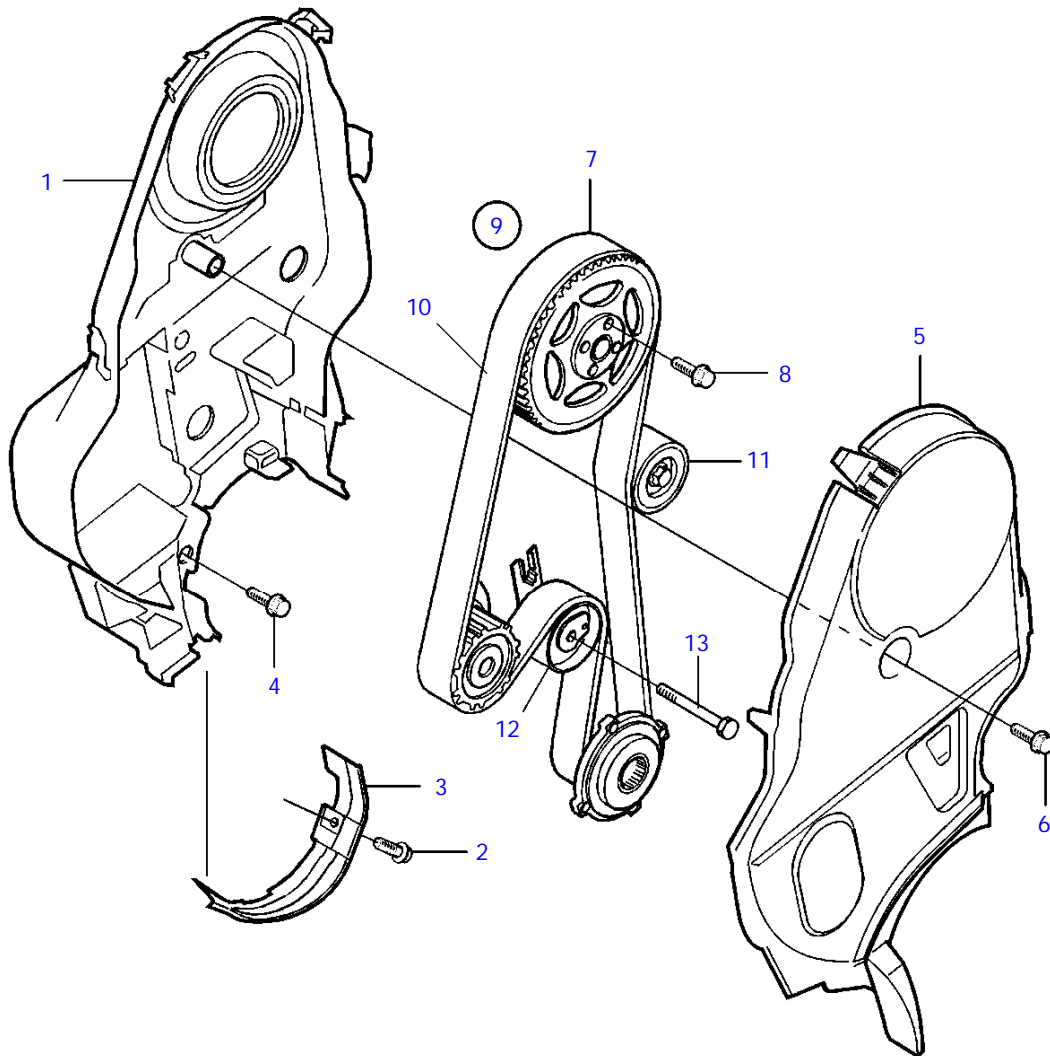
19745

D3-130A-A, D3-130A-B, D3-130A-C, D3-160A-A, D3-160A-B, D3-160A-C, D3-190A-B, D3-190A-C

REF	PART NO.	QTY	DESCRIPTION	NOTES
1	3819497	1	Flywheel housing	(3584284)
2	965185	3	Flange screw	L=40mm
3	965188	1	Flange screw	Use only with flywheel housing 3819497., L=70mm
	947790	1	Flange screw, self-tapping	Use only with flywheel housing 3584284., L=70mm
4	965189	2	Flange screw	L=90mm
5	969313	4	Flange screw	L=110mm
6	971095	5	Flange nut	



D3-110I-A, D3-110I-B, D3-110I-C, D3-130A-A, D3-130I-A, D3-130A-B, D3-130I-B, D3-130A-C, D3-130I-C, D3-160A-A, D3-160I-A, D3-160A-B, D3-160I-B, D3-160A-C, D3-160I-C, D3-190A-B, D3-190I-B, D3-190A-C, D3-190I-C

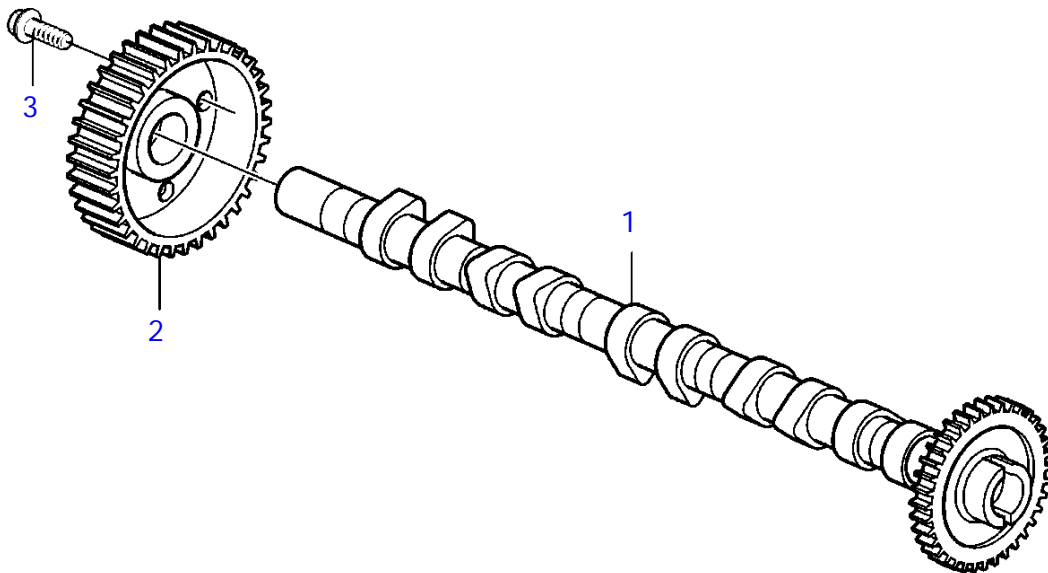


22729

D3-110I-A, D3-110I-B, D3-110I-C, D3-130A-A, D3-130I-A, D3-130A-B, D3-130I-B, D3-130A-C, D3-130I-C, D3-160A-A, D3-160I-A, D3-160A-B, D3-160I-B, D3-160A-C, D3-160I-C, D3-190A-B, D3-190I-B, D3-190A-C, D3-190I-C

REF	PART NO.	QTY	DESCRIPTION	NOTES
1	8631626	1	Belt protector	
2	981311	2	Flange screw	
3	30731907	1	Belt protector	
4	982384	4	Screw	M6x11,5mm
5	30731283	1	Belt protector	
6	981312	1	Flange screw	M7x48,5mm
7	8631554	1	Gear pulley	Replaced by gear pulley 8642804 and 4 pcs screw 985373.
	8642804	1	Gear pulley	
8	968881	4	Flange screw	M8x25mm
	985373	4	Screw	For 8642804
9	31258305	1	Tooth belt	
10	31258306	1	* Tooth belt	
11	8692561	1	* Idler pulley	
12	30731774	1	* Tensioner	
13	985806	1	Hexagon screw	M8x53,5mm

D3-110I-A, D3-130A-A, D3-130I-A, D3-160A-A, D3-160I-A

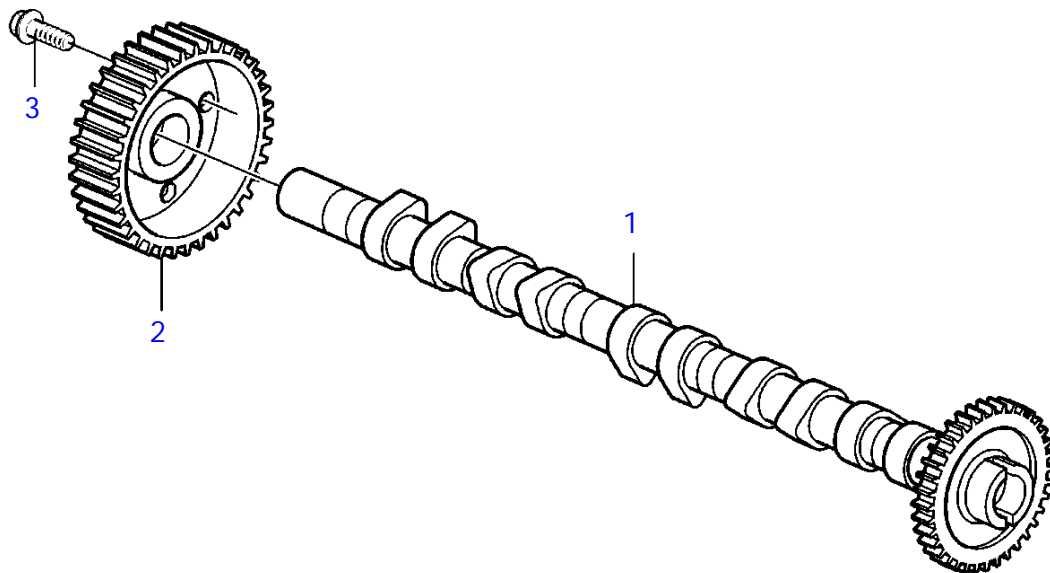


24848

D3-110I-A, D3-130A-A, D3-130I-A, D3-160A-A, D3-160I-A

REF	PART NO.	QTY	DESCRIPTION	SEE SEC.	NOTES
1	8658358	1	Camshaft, intake		Use connection block 8627612, Replaced by 30731214
	30731214	1	Camshaft, intake		Use connection block 8627612, Replaced by 8699506
			*	6605	
	8699506	1	Camshaft, intake		Use connection block 8653606, Replaced by 30677509
	30677509	1	Camshaft, intake		Use connection block 8653606, Replaced by 30750758
	30750758	1	Camshaft, intake		Use connection block 8653606
			*	6605	
	30750759	1	Camshaft, exhaust		(30731132), (8692976)
2	8631554	1	Gear pulley		Use together with camshaft 8699506
	8642804	1	Gear pulley		Use together with camshaft 30677509
3	985374	4	Flange screw		Use together with camshaft 8699506
	985373	4	Screw		For 8642804, Use together with camshaft 30677509

D3-110I-B, D3-110I-C, D3-130A-B, D3-130I-B, D3-130A-C, D3-130I-C, D3-160A-B, D3-160I-B, D3-160A-C, D3-160I-C,  
D3-190A-B, D3-190I-B, D3-190A-C, D3-190I-C

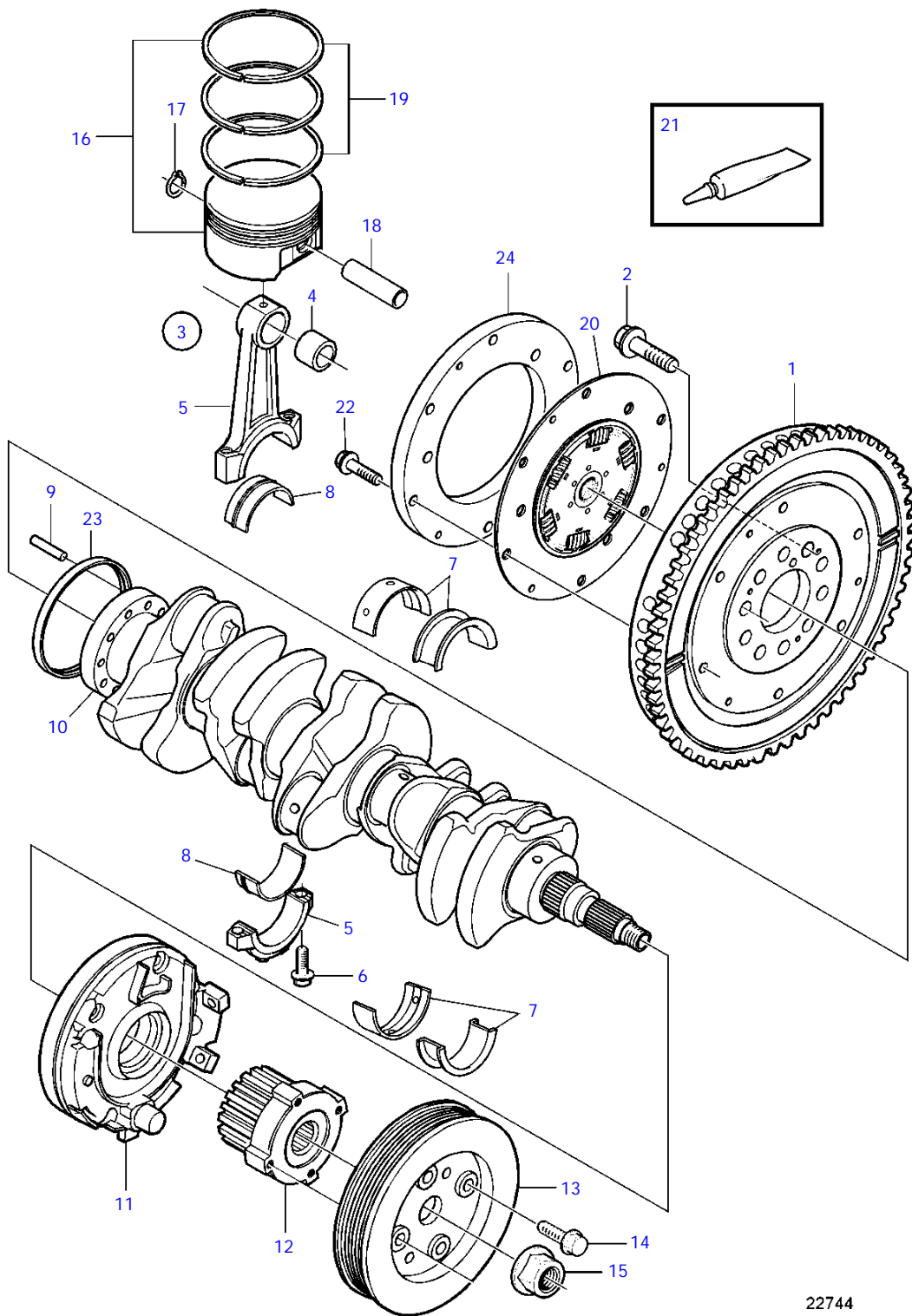


24848

D3-110I-B, D3-110I-C, D3-130A-B, D3-130I-B, D3-130A-C, D3-130I-C, D3-160A-B, D3-160I-B, D3-160A-C, D3-160I-C, D3-190A-B, D3-190I-B, D3-190A-C, D3-190I-C

REF	PART NO.	QTY	DESCRIPTION	SEE SEC.	NOTES
1	8699506	1	Camshaft, intake		Use connection block 8653606, Replaced by 30677509
	30677509	1	Camshaft, intake		Use connection block 8653606, Replaced by 30750758
	30750758	1	Camshaft, intake	9552	Use connection block 8653606
	30750759	1	Camshaft, exhaust		(30731132)
2	8631554	1	Gear pulley		Use together with camshaft 8699506
	8642804	1	Gear pulley		Use together with camshaft 30677509
3	968881	4	Flange screw		Replaced by 985374
	985374	4	Flange screw		Use together with camshaft 8699506
	985373	4	Screw		For 8642804, Use together with camshaft 30677509

D3-110I-A, D3-130I-A, D3-160I-A



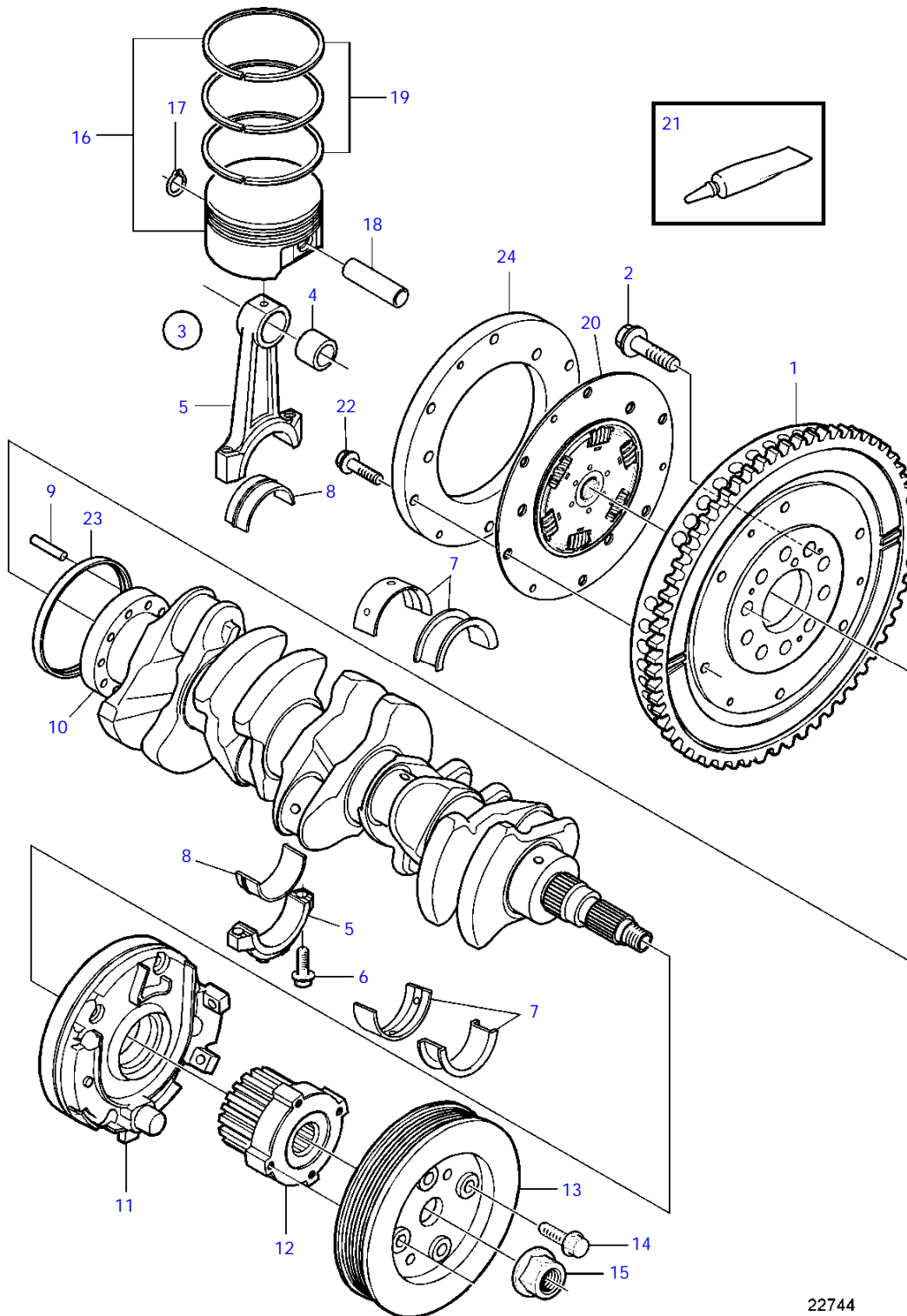
22744

D3-110I-A, D3-130I-A, D3-160I-A

REF	PART NO.	QTY	DESCRIPTION	SEE SEC.	NOTES
1	30681145	1	Flywheel		(8675012)
2	9454743	10	Screw		
3	30777189	5	Connecting rod		
4		1	* Bushing		
5		1	* Connecting rod		
6	9497858	2	* Screw		
7	(274482)	1	Main bearing kit, complete		Obsolete part, Include all main bearings needed for overhauling the engine
	31251577	5	Main bearing		Without flange, red, SN-2003015290, See Workshop Manual
	31251378	5	Main bearing		Without flange, red, SN2003015291-, See Workshop Manual
	31251578	5	Main bearing		Without flange, yellow, SN-2003015290, See Workshop Manual
	31251379	5	Main bearing		Without flange, yellow, SN2003015291-, See Workshop Manual
	31251579	5	Main bearing		Without flange, blue, SN-2003015290, See Workshop Manual
	31251380	5	Main bearing		Without flange, blue, SN2003015291-, See Workshop Manual
	31251580	5	Main bearing		Without flange green, SN-2003015290
	31251381	5	Main bearing		Without flange green, SN2003015291-
	31251597	1	Main bearing		With flange, red, See Workshop Manual
	31251598	1	Main bearing		With flange, yellow, See Workshop Manual
	31251599	1	Main bearing		With flange, blue, See Workshop Manual
8	9180722	5	Big-end bearing kit		
9	973660	1	Spring pin		
10	9465781	1	Crankshaft		
11		1	Oil pump	6342	
12	1275366	1	Pulley		
13	30731865	1	Vibration damper		(30637335)
14	969445	4	Flange screw		
15	3531111	1	Nut		
16	30750764	1	Piston kit		Class C
	30750765	1	Piston kit		Class D
	30750766	1	Piston kit		Class E
17		1	* Lock ring		
18		1	* Piston pin		
19	30731740	1	Piston ring kit		Std
20	3807988	1	Vibration damper		
21	(598034)	1	* Grease		Obsolete part
22	948217	6	Flange screw		
23	9458178	1	Sealing ring		
24	3809460	1	Oscillation damper		



D3-110I-B, D3-130I-B, D3-160I-B, D3-190I-B

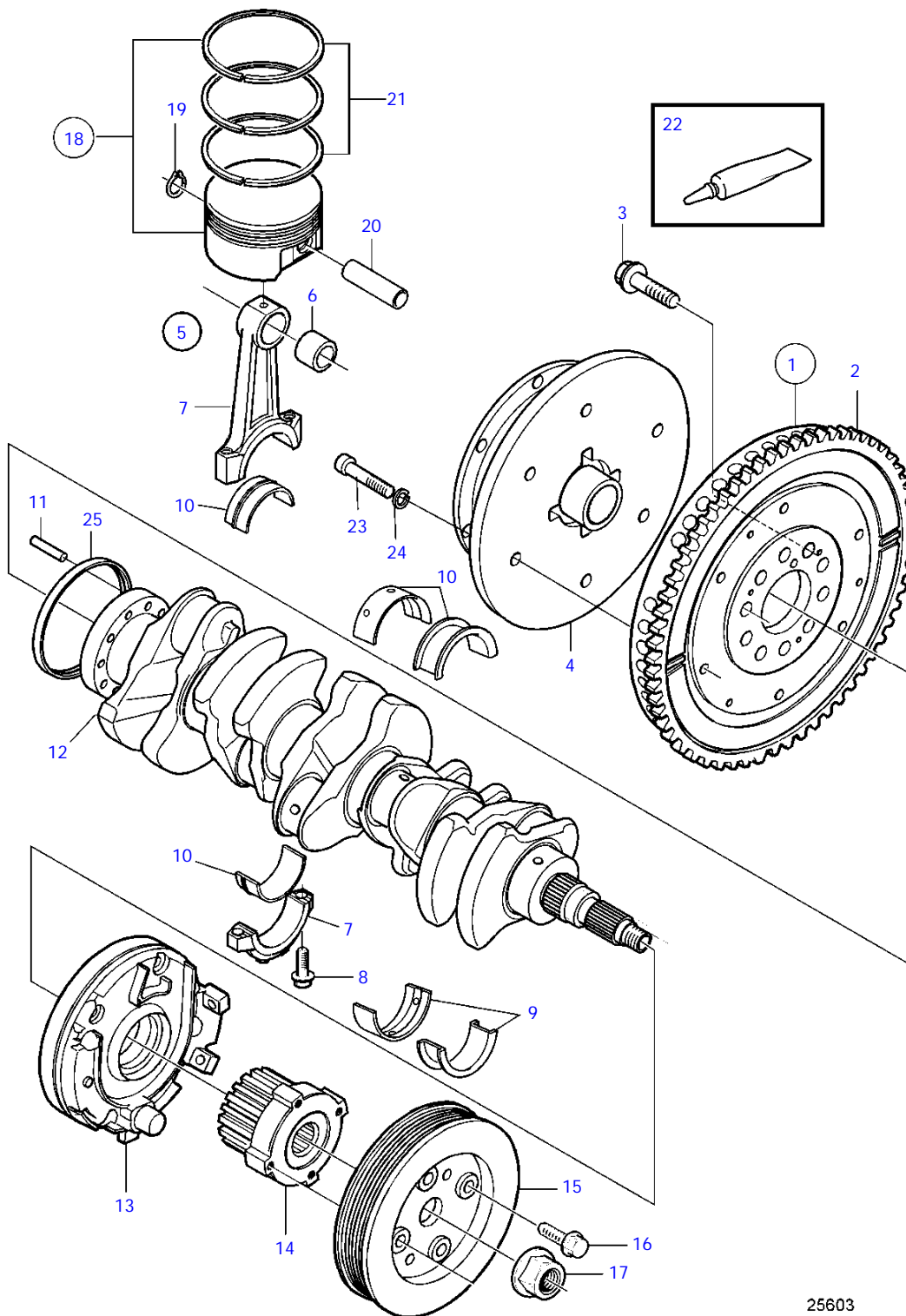


22744

D3-110I-B, D3-130I-B, D3-160I-B, D3-190I-B

REF	PART NO.	QTY	DESCRIPTION	SEE SEC.	NOTES
1	30681145	1	Flywheel		
2	9454743	10	Screw		
3	8631505	5	Connecting rod		
4		1	* Bushing		
5			*		
6	9497858	2	* Screw		
7	(274482)	1	Main bearing kit, complete		Obsolete part, Include all main bearings needed for overhauling the engine
	31251577	5	Main bearing		Without flange, red, SN-2003015290, See Workshop Manual
	31251378	5	Main bearing		Without flange, red, SN2003015291-, See Workshop Manual
	31251578	5	Main bearing		Without flange, yellow, SN-2003015290, See Workshop Manual
	31251379	5	Main bearing		Without flange, yellow, SN2003015291-, See Workshop Manual
	31251579	5	Main bearing		Without flange, blue, SN-2003015290, See Workshop Manual
	31251380	5	Main bearing		Without flange, blue, SN2003015291-, See Workshop Manual
	31251580	5	Main bearing		Without flange green, SN-2003015290, See Workshop Manual
	31251381	5	Main bearing		Without flange green, SN2003015291-, See Workshop Manual
	31251597	1	Main bearing		With flange, red, See Workshop Manual
	31251598	1	Main bearing		With flange, yellow, See Workshop Manual
	31251599	1	Main bearing		With flange, blue, See Workshop Manual
8	9180722	5	Big-end bearing kit		
9	973660	1	Spring pin		
10	9465781	1	Crankshaft		
11		1	Oil pump	9514	
12	1275366	1	Pulley		
13	30731865	1	Vibration damper		(30637335)
14	3531111	1	Nut		
15	969445	4	Flange screw		
16	30750674	1	Piston kit		Class C
	30750675	1	Piston kit		Class D
	30750676	1	Piston kit		Class E
17	8631473	1	* Lock ring		
18		1	* Piston pin		
19	30731740	1	Piston ring kit		Std, SN-2003004563
	30750678	1	Piston ring kit		Std, SN2003004564-
20	3807988	1	Vibration damper		
21	(598034)	1	* Grease		Obsolete part
22	948217	6	Flange screw		
23	9458178	1	Sealing ring		
24	3809460	1	Oscillation damper		

D3-110I-C, D3-130I-C, D3-160I-C, D3-190I-C

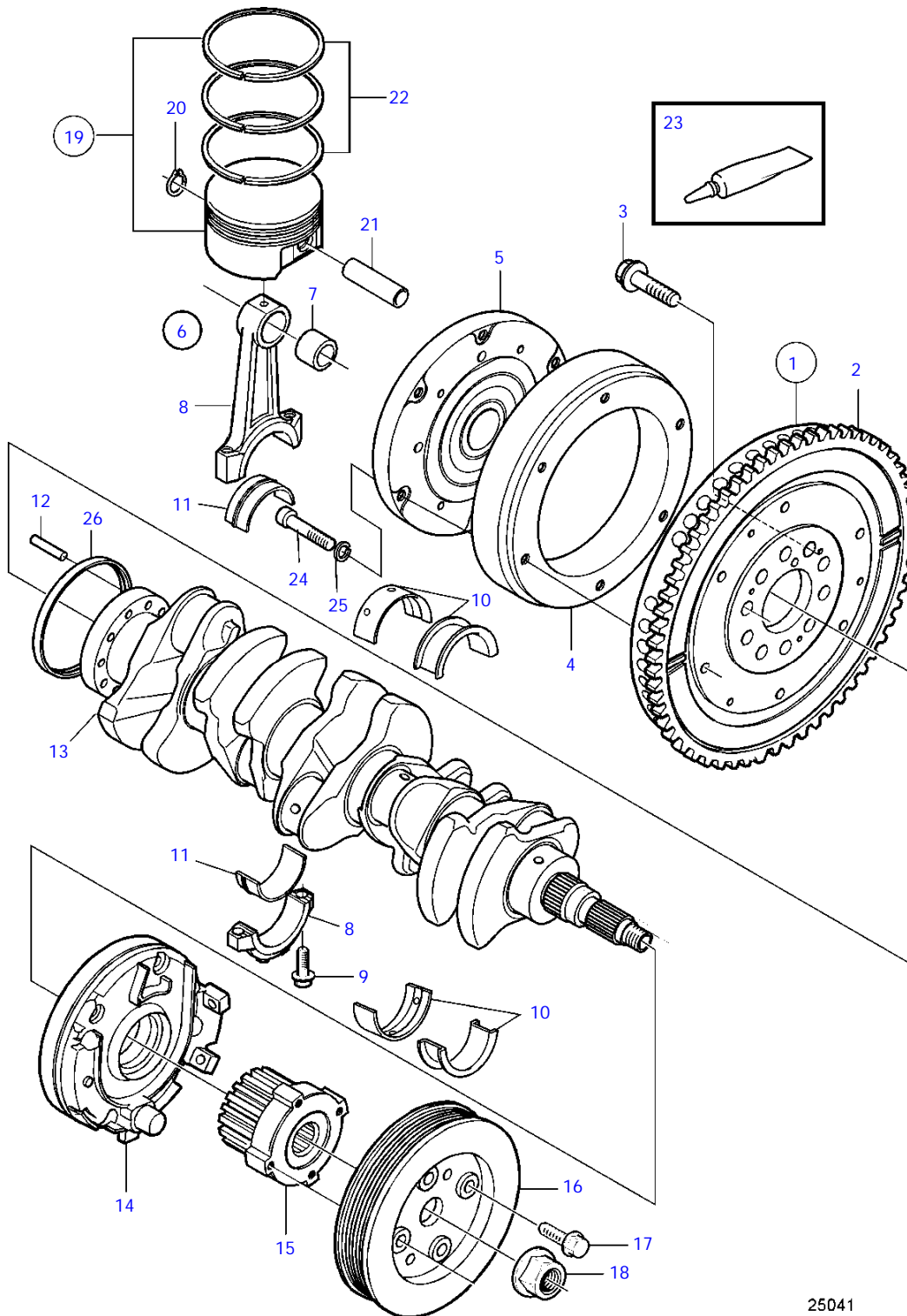


25603

D3-110I-C, D3-130I-C, D3-160I-C, D3-190I-C

REF	PART NO.	QTY	DESCRIPTION	SEE SEC.	NOTES
1	3818392	1	Flywheel		
2	3818641		* Gear ring		
3	9454743	10	Screw		
4	3848851	1	Flexible coupling		Replaced by 21321662
			* Bulletin P-44-2-4	P-44-2-4-EN	New Coupling for D3 Engines with Reverse Gear
4	21321662	1	Flexible coupling		
5	8631505	5	Connecting rod		SN-2003015855
	30777189	5	Connecting rod		SN2003015858-
6		1	* Bushing		
7			*		
8	9497858	2	* Screw		
9	(274482)	1	Main bearing kit, complete		Obsolete part, Include all main bearings needed for overhauling the engine
	31251577	5	Main bearing		Without flange, red, SN-2003015290, See Workshop Manual
	31251378	5	Main bearing		Without flange, red, SN2003015291-, See Workshop Manual
	31251578	5	Main bearing		Without flange, yellow, SN-2003015290, See Workshop Manual
	31251379	5	Main bearing		Without flange, yellow, SN2003015291-, See Workshop Manual
	31251579	5	Main bearing		Without flange, blue, SN-2003015290, See Workshop Manual
	31251380	5	Main bearing		Without flange, blue, SN2003015291-, See Workshop Manual
	31251580	5	Main bearing		Without flange green, SN-2003015290, See Workshop Manual
	31251381	5	Main bearing		Without flange green, SN2003015291-, See Workshop Manual
	31251597	1	Main bearing		With flange, red, See Workshop Manual
	31251598	1	Main bearing		With flange, yellow, See Workshop Manual
	31251599	1	Main bearing		With flange, blue, See Workshop Manual
10	9180722	5	Big-end bearing kit		
11	973660	1	Spring pin		
12	9465781	1	Crankshaft		
13		1	Oil pump	9514	
14	1275366	1	Pulley		
15	30731865	1	Vibration damper		(30637335)
16	969445	4	Flange screw		
17	3531111	1	Nut		
18	30750674	1	Piston kit		Class C, SN-2003015855
	30750764	1	Piston kit		Class C, SN2003015858-
	30750675	1	Piston kit		Class D, SN-2003015855
	30750765	1	Piston kit		Class D, SN2003015858-
	30750676	1	Piston kit		Class E, SN-2003015855
	30750766	1	Piston kit		Class D, SN2003015858-
19	8631473	1	* Lock ring		SN-2003015855
20		1	* Piston pin		
21	30731740	1	Piston ring kit		Std, SN-2003004563
	30750678	1	Piston ring kit		Std, SN2003004564-
22	(598034)	1	* Grease		Obsolete part
23	959222	6	Hex. socket screw		
24	941907	6	Spring washer		
25	9458178	1	Sealing ring		

D3-110I-C, D3-130I-C, D3-160I-C, D3-190I-C

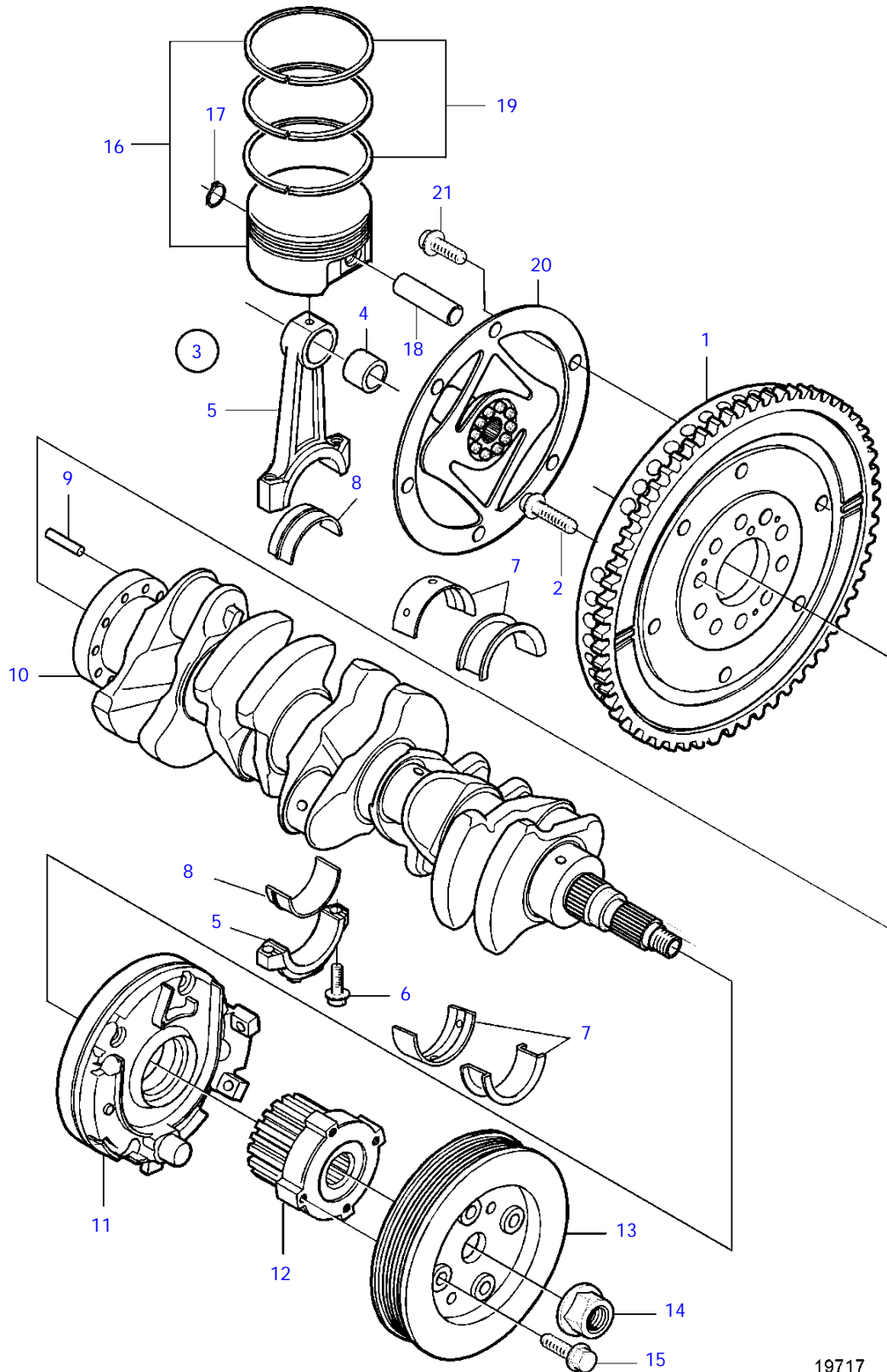


25041

D3-110I-C, D3-130I-C, D3-160I-C, D3-190I-C

REF	PART NO.	QTY	DESCRIPTION	SEE SEC.	NOTES
1	3818392	1	Flywheel		
2	3818641		* Gear ring		
3	9454743	10	Screw		
4	21429352	1	Adapter ring		
5	3582751	1	Oscillation damper		
6	8631505	5	Connecting rod		SN-2003015855
	30777189	5	Connecting rod		SN2003015858-
7		1	* Bushing		
8			*		
9	9497858	2	* Screw		
10	(274482)	1	Main bearing kit, complete		Obsolete part, Include all main bearings needed for overhauling the engine
	31251577	5	Main bearing		Without flange, red, SN-2003015290, See Workshop Manual
	31251378	5	Main bearing		Without flange, red, SN2003015291-, See Workshop Manual
	31251578	5	Main bearing		Without flange, yellow, SN-2003015290, See Workshop Manual
	31251379	5	Main bearing		Without flange, yellow, SN2003015291-, See Workshop Manual
	31251579	5	Main bearing		Without flange, blue, SN-2003015290, See Workshop Manual
	31251380	5	Main bearing		Without flange, blue, SN2003015291-, See Workshop Manual
	31251580	5	Main bearing		Without flange green, SN-2003015290, See Workshop Manual
	31251381	5	Main bearing		Without flange green, SN2003015291-, See Workshop Manual
	31251597	1	Main bearing		With flange, red, See Workshop Manual
	31251598	1	Main bearing		With flange, yellow, See Workshop Manual
	31251599	1	Main bearing		With flange, blue, See Workshop Manual
11	9180722	5	Big-end bearing kit		
12	973660	1	Spring pin		
13	9465781	1	Crankshaft		
14		1	Oil pump	9514	
15	1275366	1	Pulley		
16	30731865	1	Vibration damper		(30637335)
17	969445	4	Flange screw		
18	3531111	1	Nut		
19	30750674	1	Piston kit		Class C, SN-2003015855
	30750764	1	Piston kit		Class C, SN2003015858-
	30750675	1	Piston kit		Class D, SN-2003015855
	30750765	1	Piston kit		Class D, SN2003015858-
	30750676	1	Piston kit		Class E, SN-2003015855
	30750766	1	Piston kit		Class E, SN2003015858-
20	8631473	1	* Lock ring		SN-2003015855
21		1	* Piston pin		
22	30731740	1	Piston ring kit		Std, SN-2003004563
	30750678	1	Piston ring kit		Std, SN2003004564-
23	(598034)	1	* Grease		Obsolete part
24	959233	6	Hex. socket screw		
25	941907	6	Spring washer		
26	9458178	1	Sealing ring		

D3-130I-A, D3-160I-A



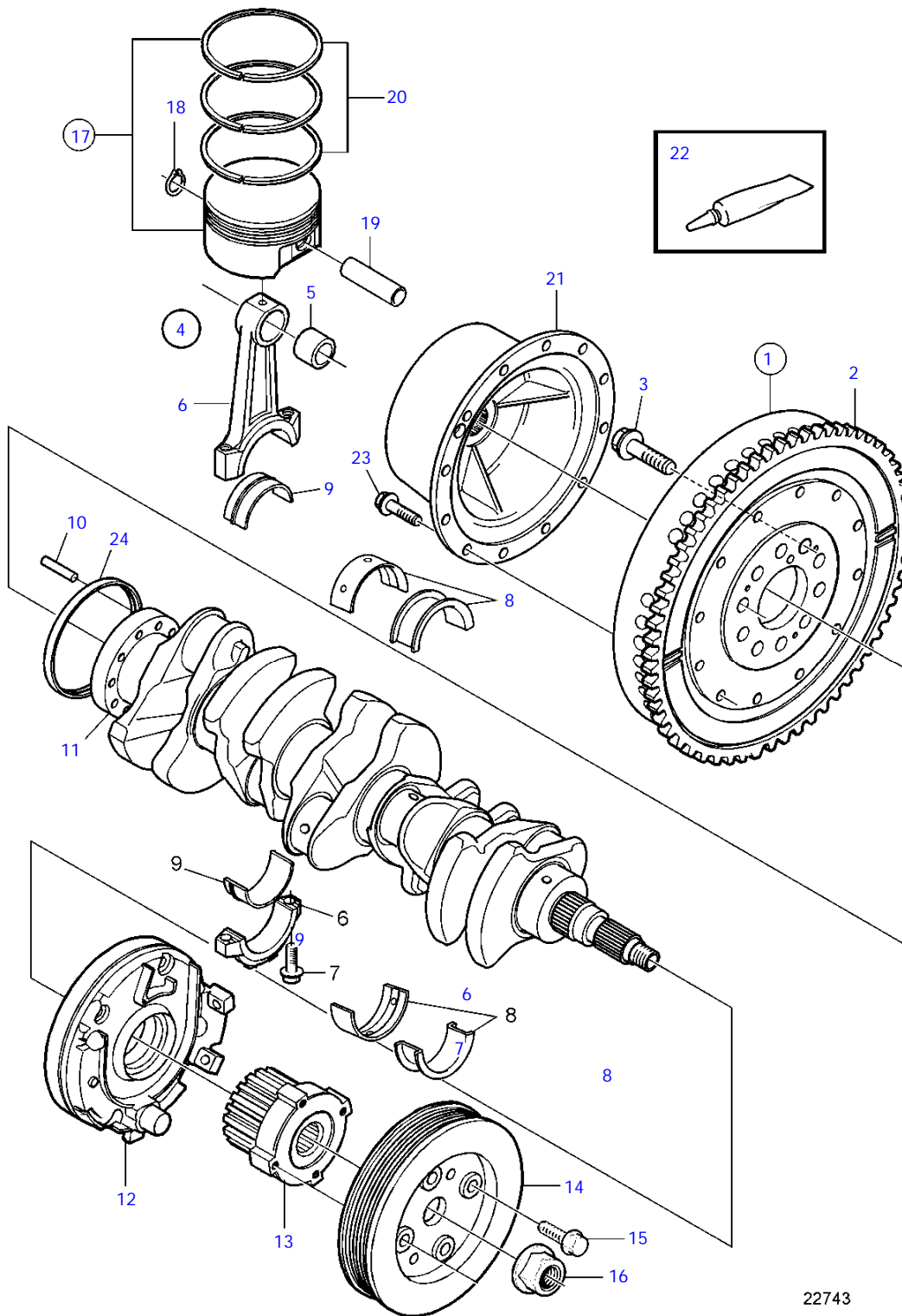
19717

D3-130I-A, D3-160I-A

REF	PART NO.	QTY	DESCRIPTION	SEE SEC.	NOTES
1	30681145	1	Flywheel		(8675012)
2	9454743	10	Screw		
3	30777189	5	Connecting rod		
4		1	* Bushing		
5		1	* Connecting rod		
6	9497858	2	* Screw		
7	(274482)	1	Main bearing kit, complete		Obsolete part, Include all main bearings needed for overhauling the engine
	31251577	5	Main bearing		Without flange, red, SN-2003015290, See Workshop Manual
	31251378	5	Main bearing		Without flange, red, SN2003015291-, See Workshop Manual
	31251578	5	Main bearing		Without flange, yellow, SN-2003015290, See Workshop Manual
	31251379	5	Main bearing		Without flange, yellow, SN2003015291-, See Workshop Manual
	31251579	5	Main bearing		Without flange, blue, SN-2003015290, See Workshop Manual
	31251380	5	Main bearing		Without flange, blue, SN2003015291-, See Workshop Manual
	31251580	5	Main bearing		Without flange green, SN-2003015290, See Workshop Manual
	31251381	5	Main bearing		Without flange green, SN2003015291-, See Workshop Manual
	31251597	1	Main bearing		With flange, red, See Workshop Manual
	31251598	1	Main bearing		With flange, yellow, See Workshop Manual
	31251599	1	Main bearing		With flange, blue, See Workshop Manual
8	9180722	5	Big-end bearing kit		
9	973660	1	Spring pin		
10	9465781	1	Crankshaft		
11		1	Oil pump	6342	
12	1275366	1	Pulley		
13	30731865	1	Vibration damper		(30637335)
14	3531111	1	Nut		
15	969445	4	Flange screw		
16	30750764	1	Piston kit		Class C
	30750765	1	Piston kit		Class D
	30750766	1	Piston kit		Class E
17		1	* Lock ring		
18		1	* Piston pin		
19	30731740	1	Piston ring kit		Std
20	3584285	1	Drive plate		
21	944926	6	Flange screw		



D3-130A-A, D3-160A-A

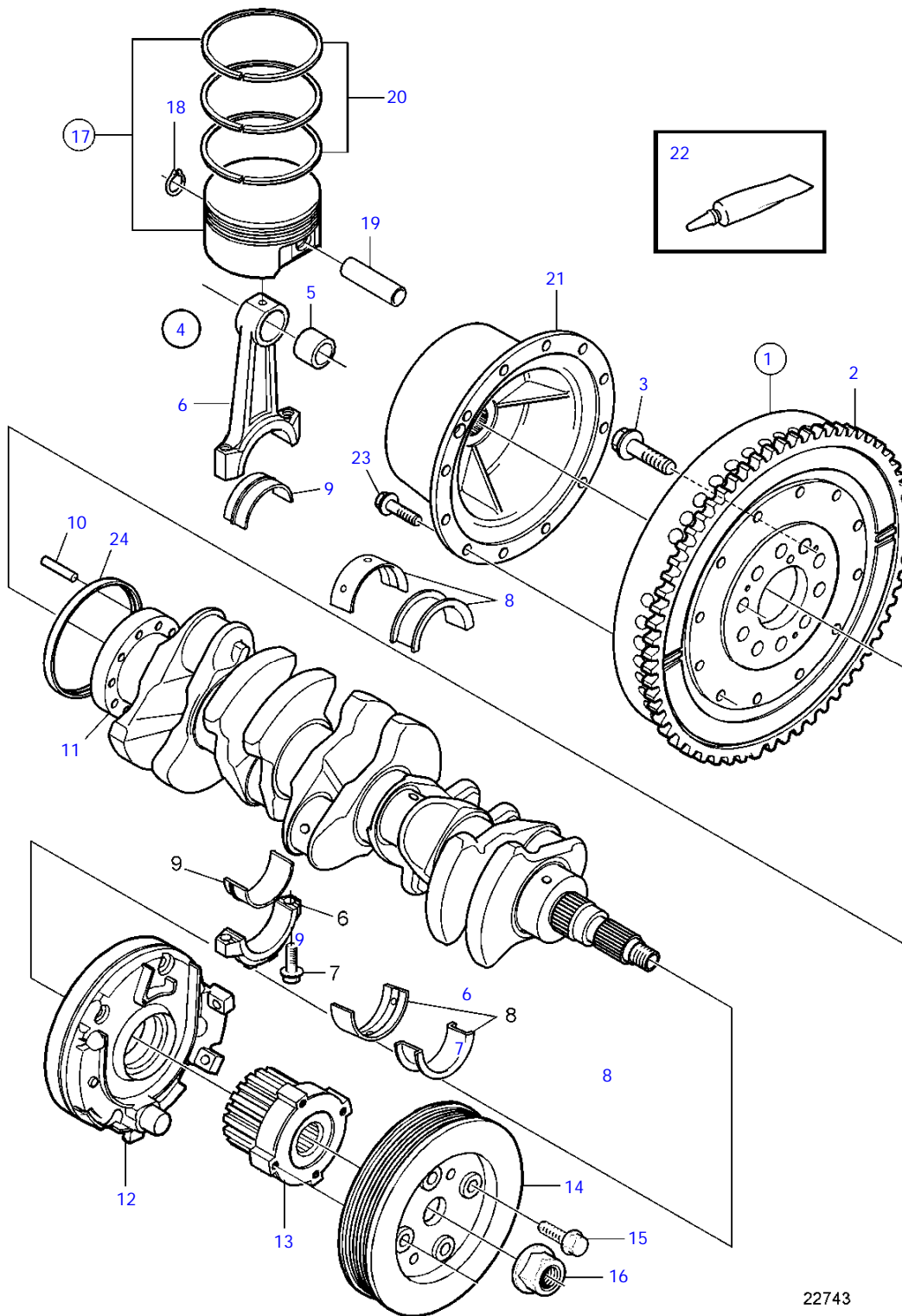


22743

D3-130A-A, D3-160A-A

REF	PART NO.	QTY	DESCRIPTION	SEE SEC.	NOTES
1	3818392	1	Flywheel		
2	3818641		* Gear ring		
3	9454743	10	Screw		
4	30777189	5	Connecting rod		
5		1	* Bushing		
6		1	* Connecting rod		
7	9497858	2	* Screw		
8	(274482)	1	Main bearing kit, complete		Include all main bearings needed for overhauling the engine, Obsolete part
	31251577	5	Main bearing		Without flange, red, SN-2003015290, See Workshop Manual
	31251378	5	Main bearing		Without flange, red, SN2003015291-, See Workshop Manual
	31251578	5	Main bearing		Without flange, yellow, SN-2003015290, See Workshop Manual
	31251379	5	Main bearing		Without flange, yellow, SN2003015291-, See Workshop Manual
	31251579	5	Main bearing		Without flange, blue, SN-2003015290, See Workshop Manual
	31251380	5	Main bearing		Without flange, blue, SN2003015291-, See Workshop Manual
	31251580	5	Main bearing		Without flange green, SN-2003015290, See Workshop Manual
	31251381	5	Main bearing		Without flange green, SN2003015291-, See Workshop Manual
	31251597	1	Main bearing		With flange, red, See Workshop Manual
	31251598	1	Main bearing		With flange, yellow, See Workshop Manual
	31251599	1	Main bearing		With flange, blue, See Workshop Manual
9	9180722	5	Big-end bearing kit		
10	973660	1	Spring pin		
11	9465781	1	Crankshaft		
12		1	Oil pump	6342	
13	1275366	1	Pulley		
14	30731865	1	Vibration damper		(30637335)
15	3531111	1	Nut		
16	969445	4	Flange screw		
17	30750764	1	Piston kit		Class C
	30750765	1	Piston kit		Class D
	30750766	1	Piston kit		Class E
18		1	* Lock ring		
19		1	* Piston pin		
20	30731740	1	Piston ring kit		Std
21	3851964	1	Flexible coupling		Replaced by 21373176
	21373176	1	Flexible coupling		
22	(598034)	1	Grease		Obsolete part
23	946671	6	Flange screw		
24	9458178	1	Sealing ring		

D3-130A-B, D3-130A-C, D3-160A-B, D3-160A-C, D3-190A-B, D3-190A-C

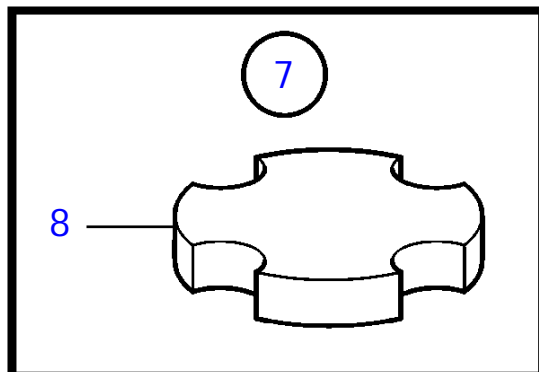
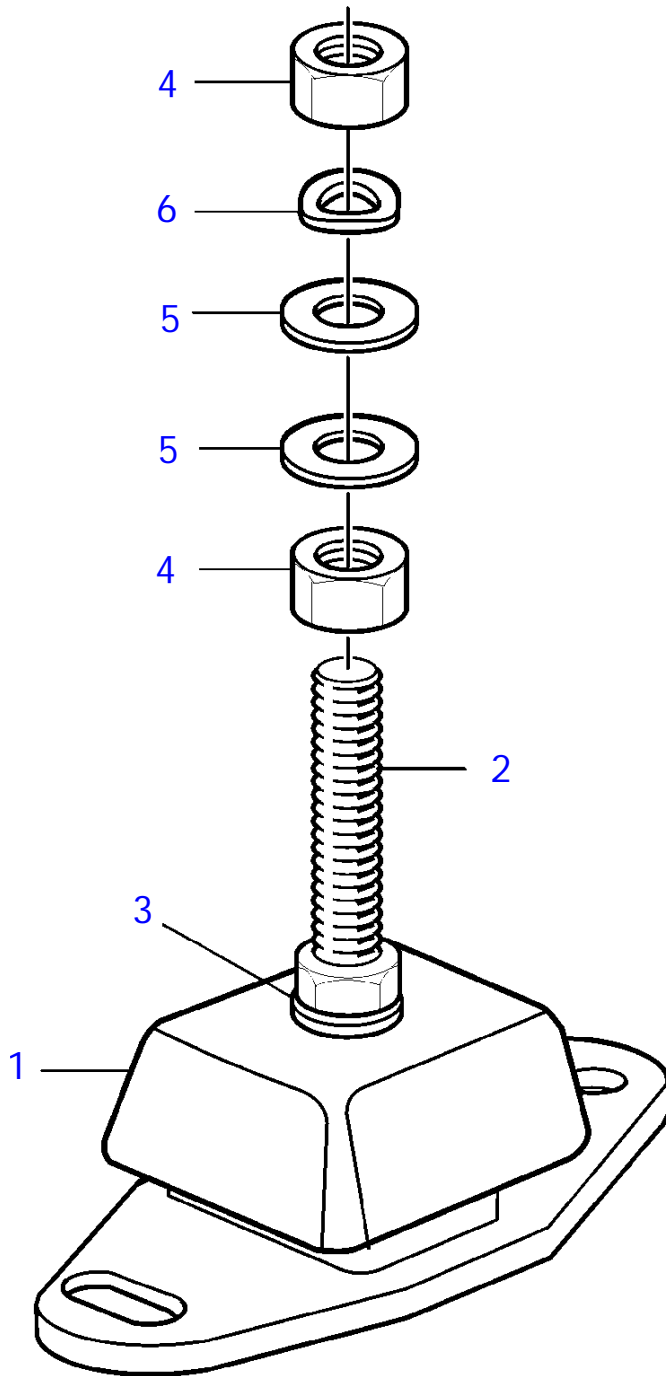


22743

D3-130A-B, D3-130A-C, D3-160A-B, D3-160A-C, D3-190A-B, D3-190A-C

REF	PART NO.	QTY	DESCRIPTION	SEE SEC.	NOTES
1	3818392	1	Flywheel		
2	3818641	1	* Gear ring		
3	9454743	10	Screw		
4	8631505	5	Connecting rod		SN-2003015855
5		1	* Bushing		
6			*		
7	9497858	2	* Screw		
8	(274482)	1	Main bearing kit, complete		Obsolete part, Include all main bearings needed for overhauling the engine
	31251577	5	Main bearing		Without flange, red, SN-2003015290, See Workshop Manual
	31251378	5	Main bearing		Without flange, red, SN2003015291-, See Workshop Manual
	31251578	5	Main bearing		Without flange, yellow, SN-2003015290, See Workshop Manual
	31251379	5	Main bearing		Without flange, yellow, SN2003015291-, See Workshop Manual
	31251579	5	Main bearing		Without flange, blue, SN-2003015290, See Workshop Manual
	31251380	5	Main bearing		Without flange, blue, SN2003015291-, See Workshop Manual
	31251580	5	Main bearing		Without flange green, SN-2003015290
	31251381	5	Main bearing		Without flange green, SN2003015291-
	31251597	1	Main bearing		With flange, red, See Workshop Manual
	31251598	1	Main bearing		With flange, yellow, See Workshop Manual
	31251599	1	Main bearing		With flange, blue, See Workshop Manual
9	9180722	5	Big-end bearing kit		
10	973660	1	Spring pin		
11	9465781	1	Crankshaft		
12		1	Oil pump	9514	
13	1275366	1	Pulley		
14	30731865	1	Vibration damper		(30637335)
15	3531111	1	Nut		
16	969445	4	Flange screw		
17	30750674	1	Piston kit		Class C, SN-2003015855
	30750675	1	Piston kit		Class D, SN-2003015855
	30750676	1	Piston kit		Class E, SN-2003015855
18	8631473	1	* Lock ring		SN-2003015855
19		1	* Piston pin		
20	30731740	1	Piston ring kit		Std, SN-2003004563
	30750678	1	Piston ring kit		Std, SN2003004564-
21	3851964	1	Flexible coupling		Replaced by 21373176
	21373176	1	Flexible coupling		
22	(598034)	1	Grease		Obsolete part
23	946671	6	Flange screw		
24	9458178	1	Sealing ring		

D3-110I-A, D3-110I-B, D3-110I-C, D3-130A-A, D3-130I-A, D3-130A-B, D3-130I-B, D3-130A-C, D3-130I-C, D3-160A-A, D3-160I-A, D3-160A-B, D3-160I-B, D3-160A-C, D3-160I-C, D3-190A-B, D3-190I-B, D3-190A-C, D3-190I-C

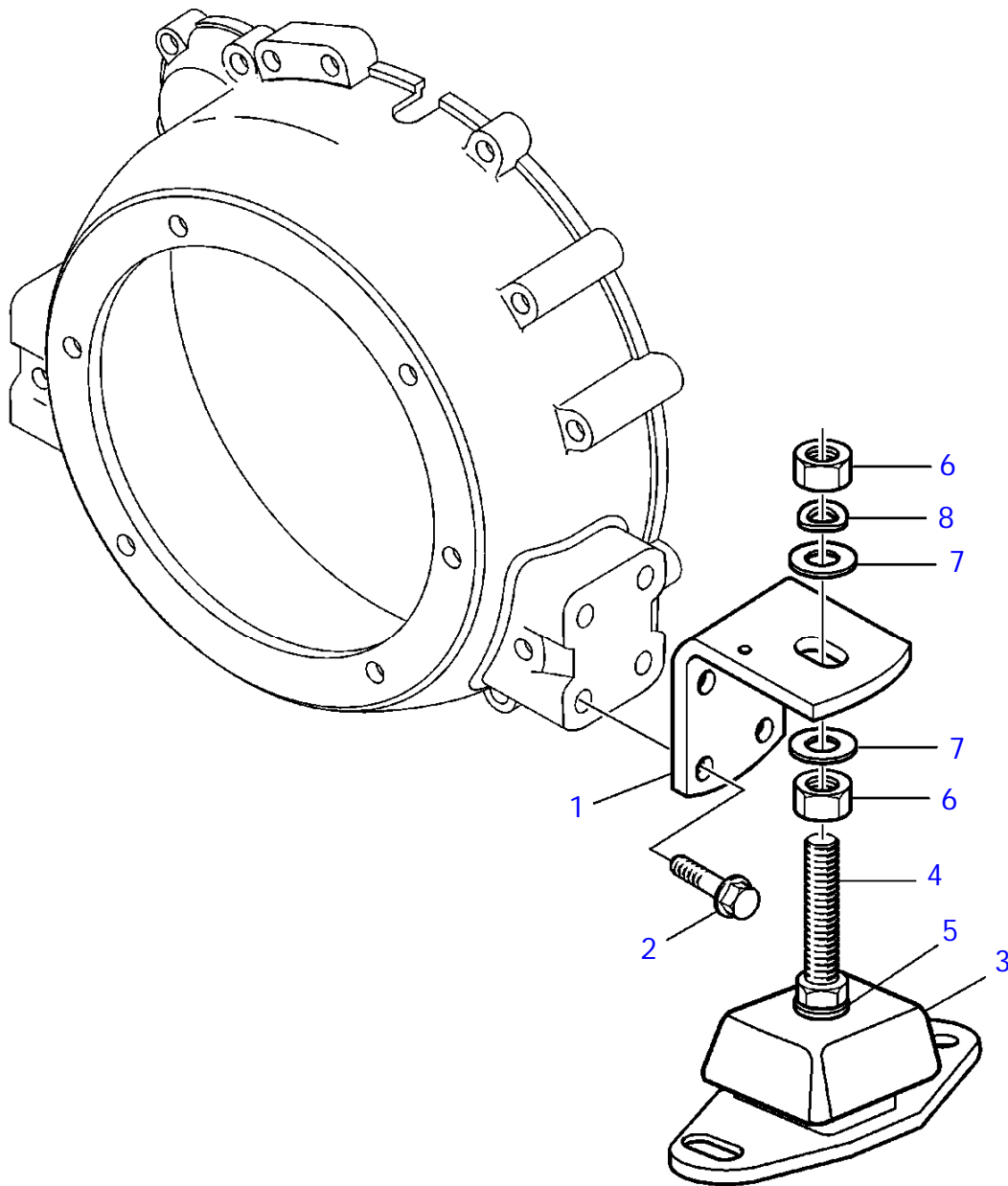


24343

D3-110I-A, D3-110I-B, D3-110I-C, D3-130A-A, D3-130I-A, D3-130A-B, D3-130I-B, D3-130A-C, D3-130I-C, D3-160A-A, D3-160I-A, D3-160A-B, D3-160I-B, D3-160A-C, D3-160I-C, D3-190A-B, D3-190I-B, D3-190A-C, D3-190I-C

REF	PART NO.	QTY	DESCRIPTION	NOTES
1	846765	2	Rubber element	
2	860950	2	Adjusting screw	
3	955900	2	Washer	
4	955806	4	Hexagon nut	
5	978991	4	Washer	
6	941913	2	Spring washer	
7	3889070	1	Kit	SOLAS
8	843299	4	* Rubber disc	SOLAS

D3-110I-A, D3-110I-B, D3-110I-C, D3-130I-A, D3-130I-B, D3-130I-C, D3-160I-A, D3-160I-B, D3-160I-C, D3-190I-B, D3-190I-C



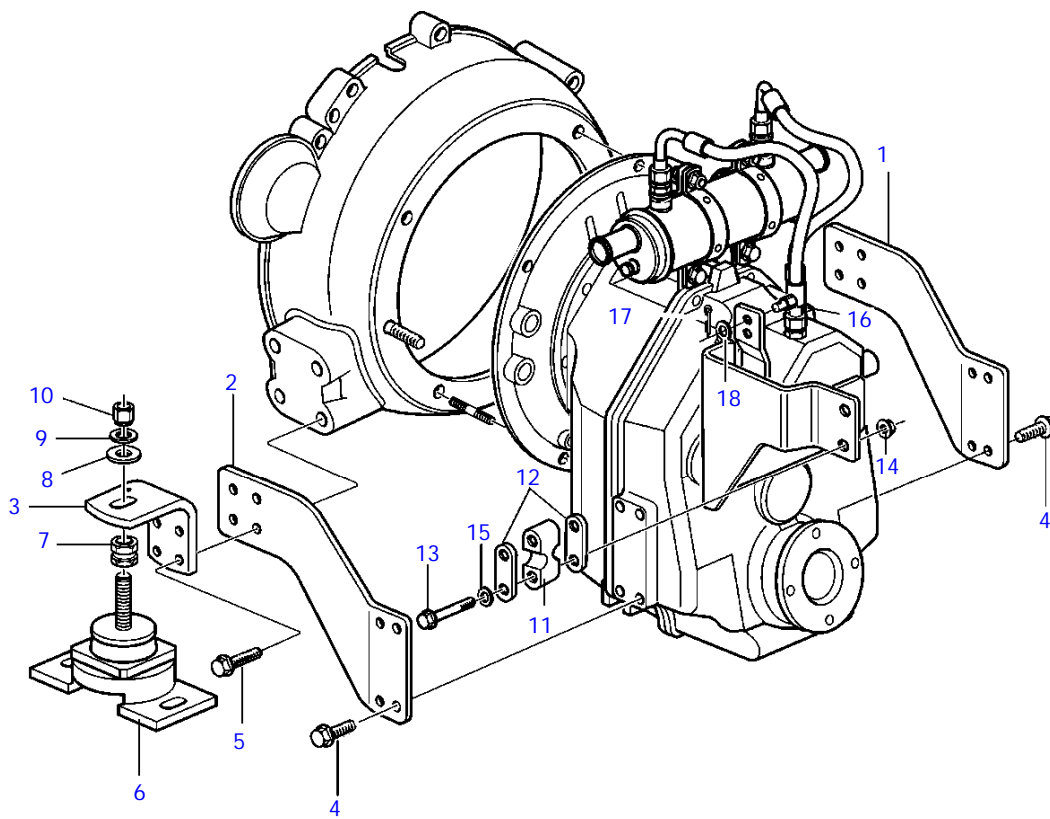
20425

D3-110I-A, D3-110I-B, D3-110I-C, D3-130I-A, D3-130I-B, D3-130I-C, D3-160I-A, D3-160I-B, D3-160I-C, D3-190I-B, D3-190I-C

REF	PART NO.	QTY	DESCRIPTION	NOTES
1	3589825	2	Bracket	
2	965193	8	Flange screw	M12x50mm
3	846765	2	Rubber element	
4	860950	2	Adjusting screw	
5	955900	2	Washer	
6	955806	4	Hexagon nut	
7	978991	4	Washer	
8	941913	2	Spring washer	



D3-110I-A, D3-110I-B, D3-110I-C, D3-130I-A, D3-130I-B, D3-130I-C, D3-160I-A, D3-160I-B, D3-160I-C, D3-190I-B, D3-190I-C

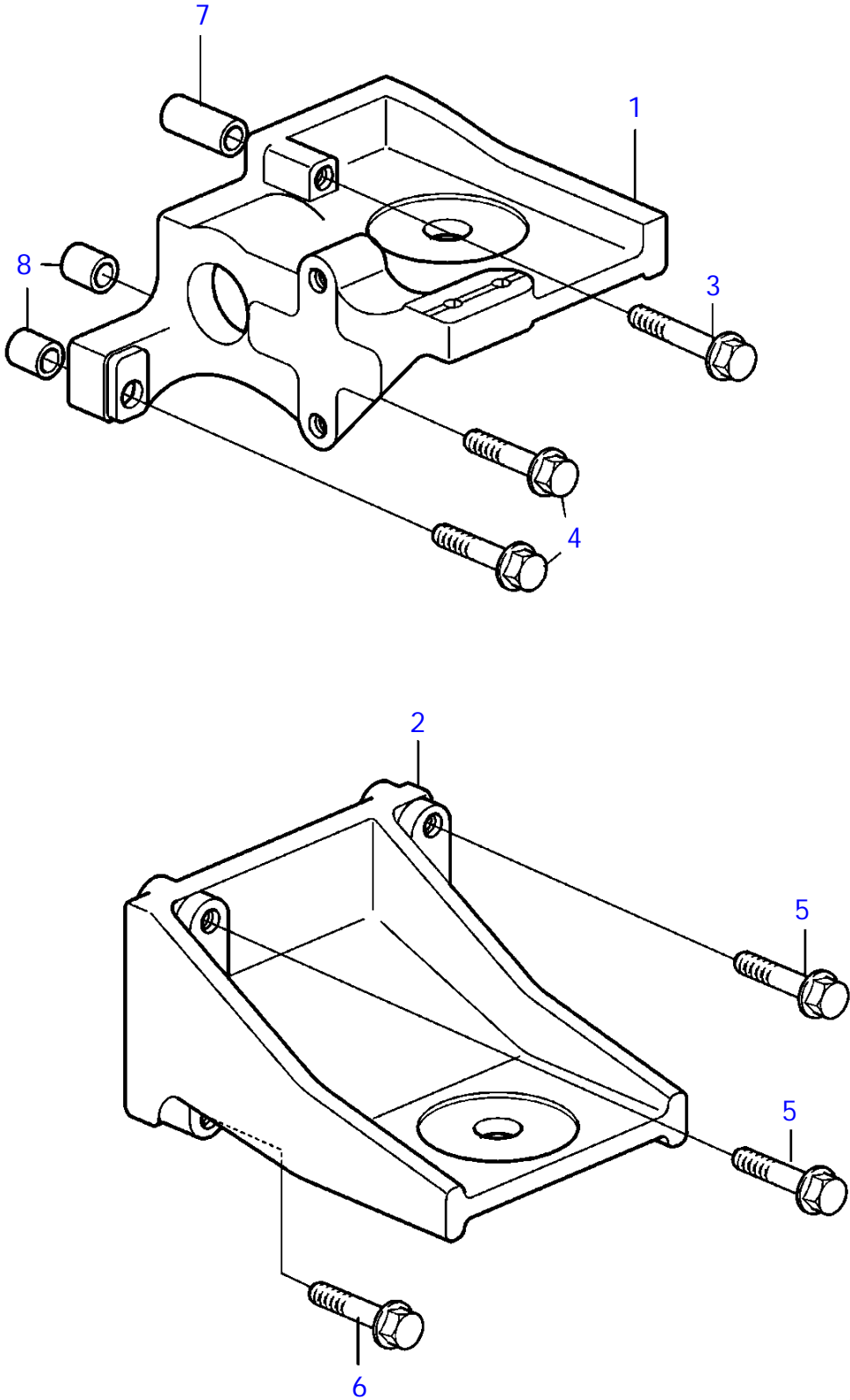


22705

D3-110I-A, D3-110I-B, D3-110I-C, D3-130I-A, D3-130I-B, D3-130I-C, D3-160I-A, D3-160I-B, D3-160I-C, D3-190I-B, D3-190I-C

REF	PART NO.	QTY	DESCRIPTION	NOTES
1	3817416	1	Bracket	
2	3817414	1	Bracket	
3	3817418	2	Engine bracket	
4	965191	8	Flange screw	M12x30mm
5	965227	8	Flange screw	M12x55mm
6	3842098	2	Rubber cushion	
7	3826709	2	Adjusting sleeve	
8	3832907	2	Spacer	
9	955900	2	Washer	
10	963110	2	Lock nut	
11	872074	1	Retainer	
12	872076	2	Washer	
13	969439	1	6 point socket screw	M5x40mm
14	949874	1	Flange lock nut	
15	940090	2	Washer	
16	3852329	1	Cube	
17	17276	1	Split pin	
18	941906	1	Spring washer	

D3-110I-A, D3-130A-A, D3-130I-A, D3-160A-A, D3-160I-A



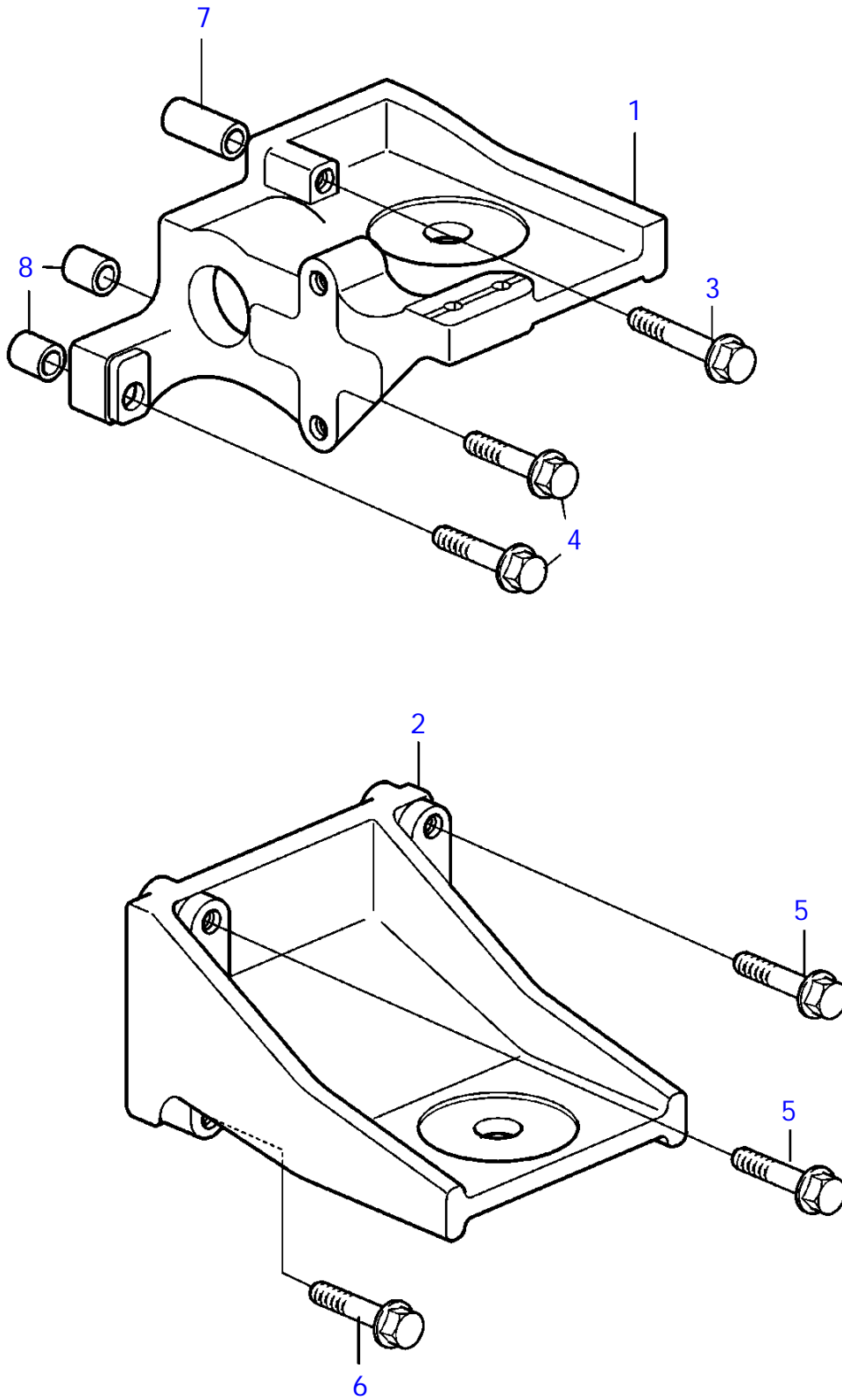
19688

D3-110I-A, D3-130A-A, D3-130I-A, D3-160A-A, D3-160I-A

REF	PART NO.	QTY	DESCRIPTION
1	888436	1	Engine bracket, left
2	3883173	1	Engine bracket, right
3	984652	1	Flange screw
4	984651	2	Flange screw
5	984663	3	Flange screw
6	984662	1	Flange screw
7	984644	1	Spacer sleeve
8	829653	2	Spacer sleeve



D3-110I-B, D3-110I-C, D3-130A-B, D3-130I-B, D3-130A-C, D3-130I-C, D3-160A-B, D3-160I-B, D3-160A-C, D3-160I-C, D3-190A-B, D3-190I-B, D3-190A-C, D3-190I-C

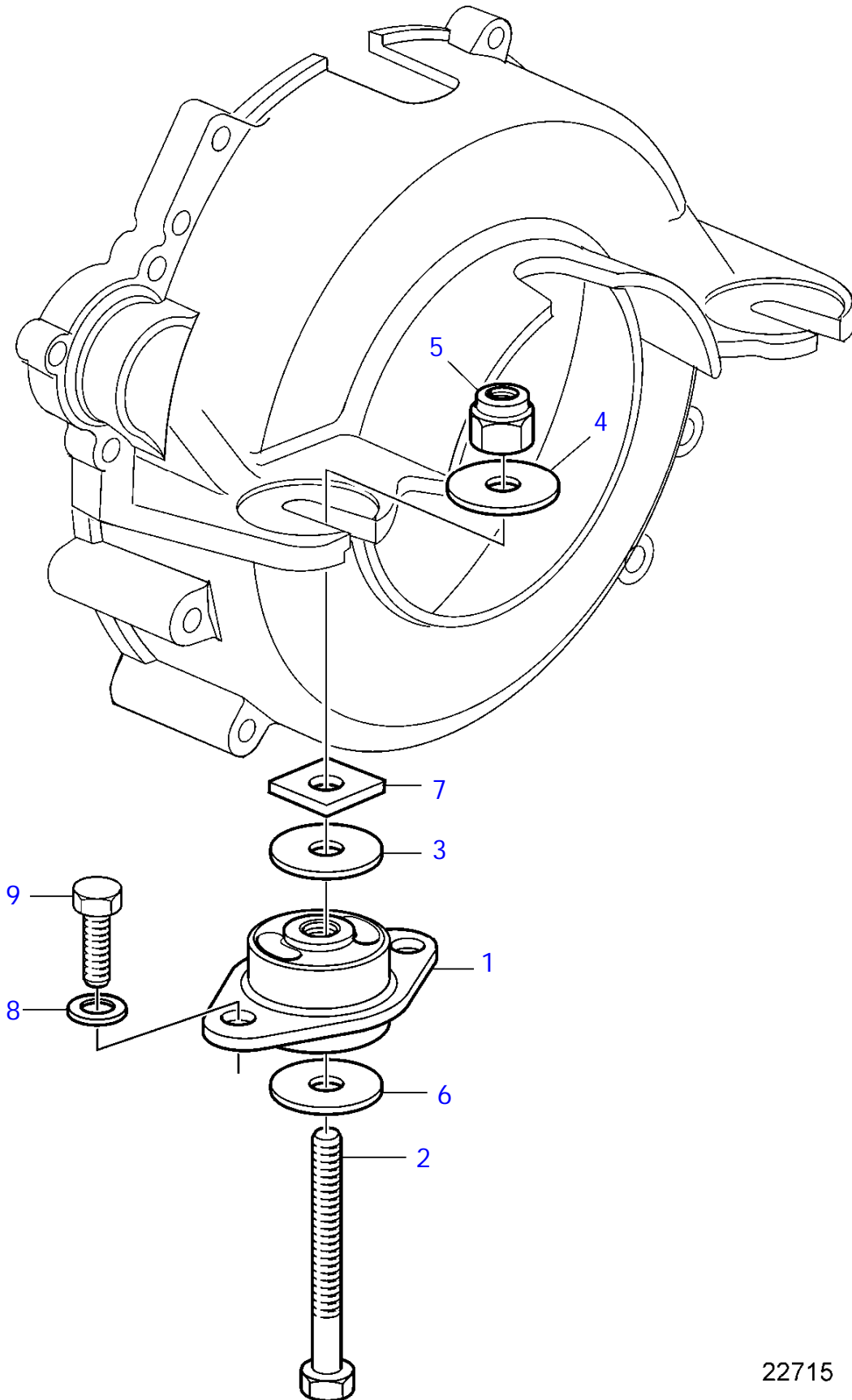


19688

D3-110I-B, D3-110I-C, D3-130A-B, D3-130I-B, D3-130A-C, D3-130I-C, D3-160A-B, D3-160I-B, D3-160A-C, D3-160I-C, D3-190A-B, D3-190I-B, D3-190A-C, D3-190I-C

REF	PART NO.	QTY	DESCRIPTION	NOTES
1	888436	1	Engine bracket, left	
2	3883173	1	Engine bracket, right	
3	984652	1	Flange screw	
4	984651	2	Flange screw	
5	984663	3	Flange screw	
6	984662	1	Flange screw	M8
	984663	1	Flange screw	M10
7	984644	1	Spacer sleeve	
8	829653	2	Spacer sleeve	

D3-130A-A, D3-130A-B, D3-130A-C, D3-160A-A, D3-160A-B, D3-160A-C, D3-190A-B, D3-190A-C



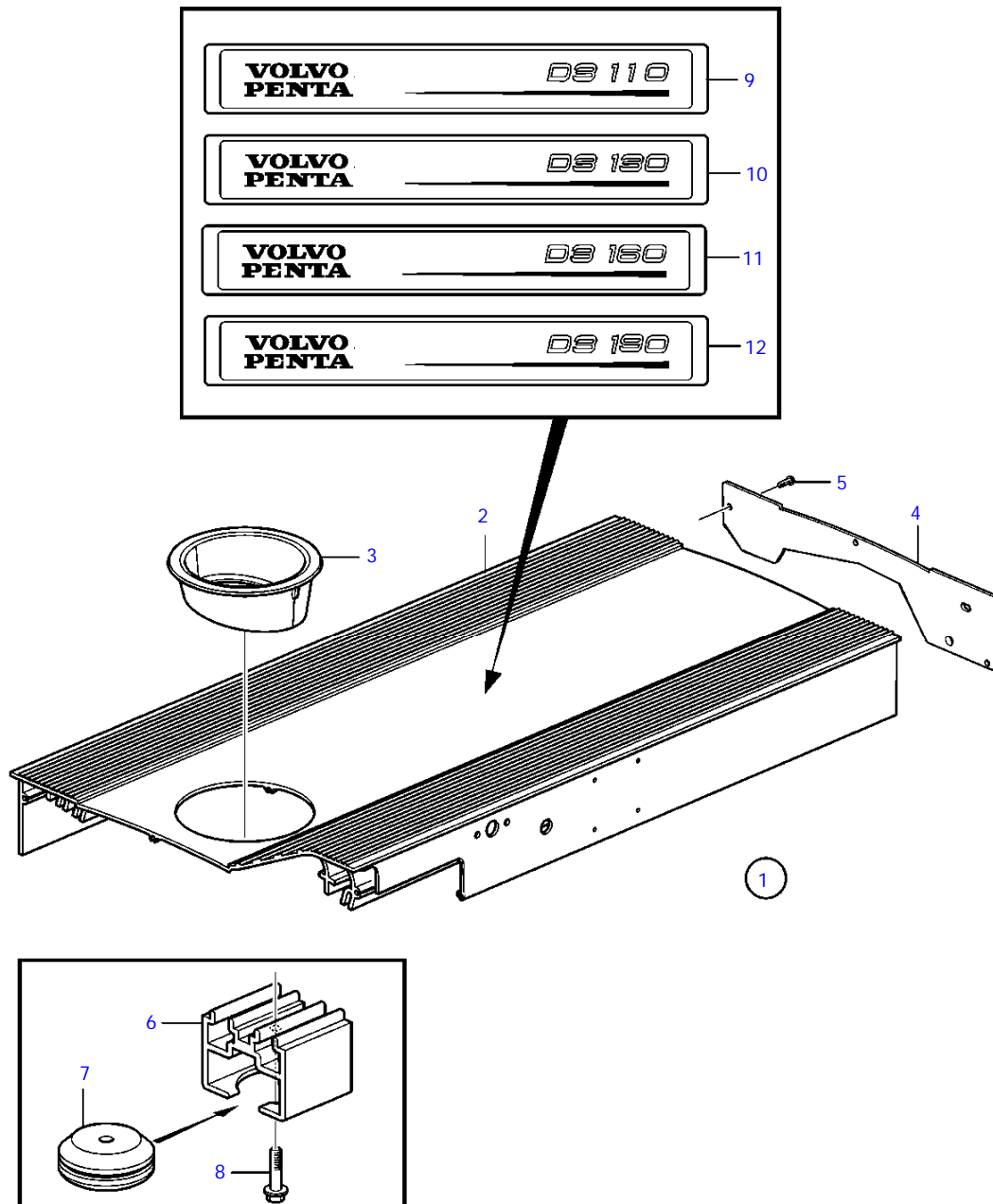
22715

D3-130A-A, D3-130A-B, D3-130A-C, D3-160A-A, D3-160A-B, D3-160A-C, D3-190A-B, D3-190A-C

REF	PART NO.	QTY	DESCRIPTION	NOTES
1	3812266	1	Rubber cushion	
2	3587962	1	Screw	
3	3852622	1	Washer	
4	3852540	1	Washer	
5	3862657	1	Nut	
6	3852542	1	Washer	
7	3852539	1	Square nut	
8	(3852155)	4	Washer	Obsolete part
9	959968	4	Hexagon screw	



D3-110I-A, D3-110I-B, D3-110I-C, D3-130A-A, D3-130I-A, D3-130A-B, D3-130I-B, D3-130A-C, D3-130I-C, D3-160A-A, D3-160I-A, D3-160A-B, D3-160I-B, D3-160A-C, D3-160I-C, D3-190A-B, D3-190I-B, D3-190A-C, D3-190I-C



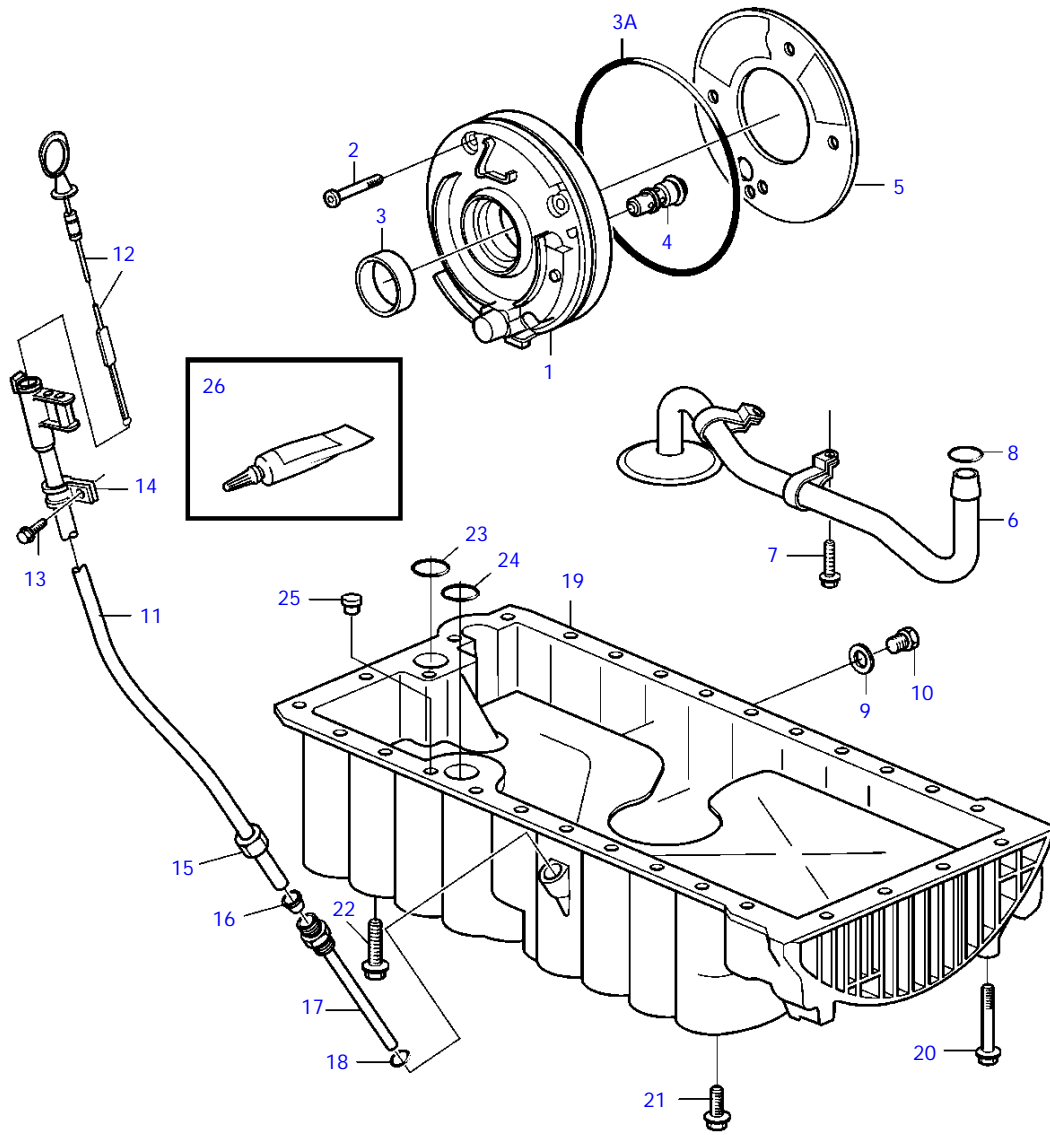
22726

D3-110I-A, D3-110I-B, D3-110I-C, D3-130A-A, D3-130I-A, D3-130A-B, D3-130I-B, D3-130A-C, D3-130I-C, D3-160A-A, D3-160I-A, D3-160A-B, D3-160I-B, D3-160A-C, D3-160I-C, D3-190A-B, D3-190I-B, D3-190A-C, D3-190I-C

REF	PART NO.	QTY	DESCRIPTION
1	3884631	1	Cover, complete
2	3808288	1	* Cover
3	3812607	1	* Cup
4	3819953	1	* End cover
5	969456	4	* 6 point socket screw
6	888512	4	* Bracket
7	8642162	4	* Rubber cushion
8	969476	4	* 6 point socket screw
9	888382	1	Decal
10	888383	1	Decal
11	3584298	1	Decal
12	3812572	1	Decal



D3-110I-A, D3-130A-A, D3-130I-A, D3-160A-A, D3-160I-A

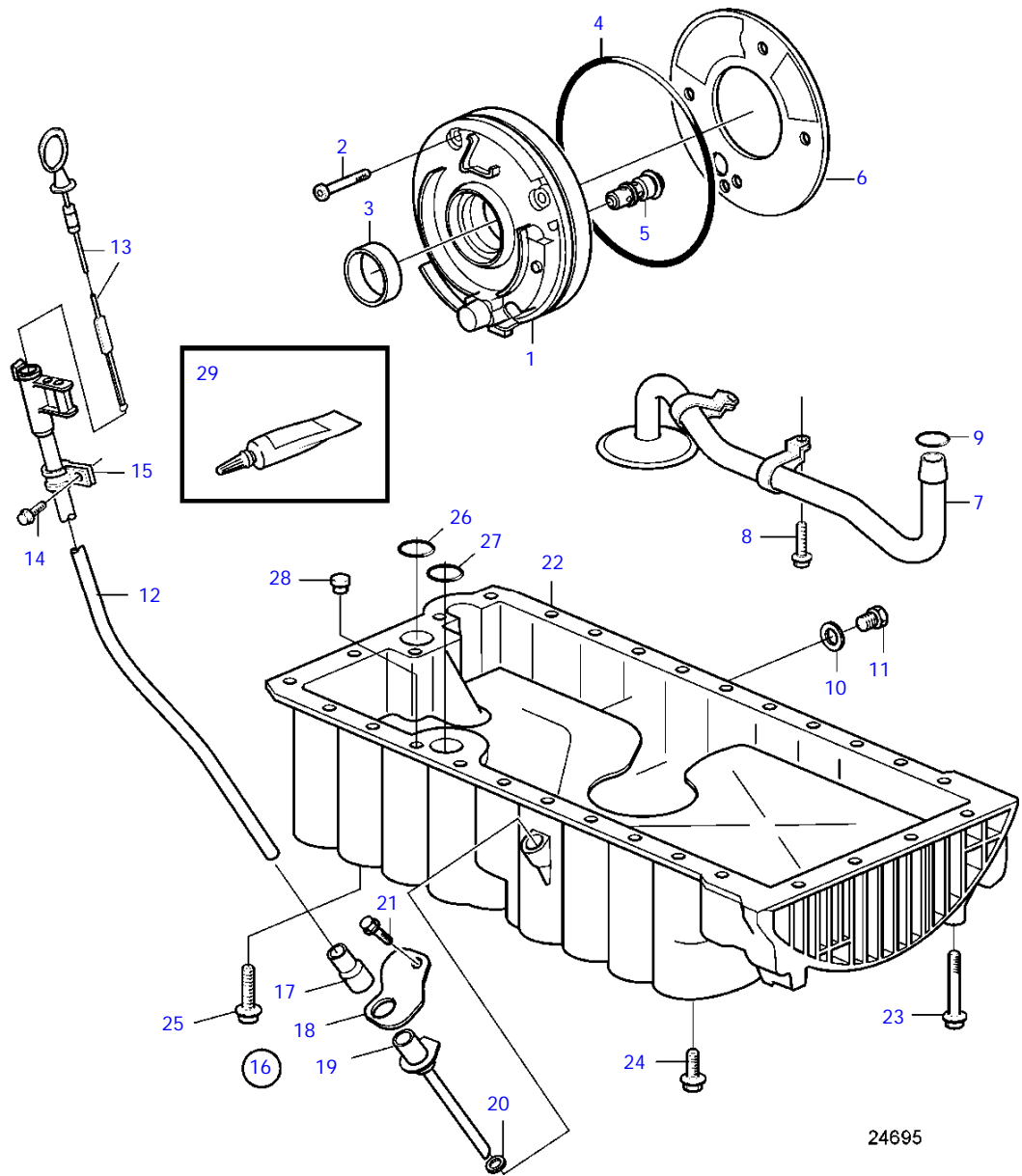


22761

D3-110I-A, D3-130A-A, D3-130I-A, D3-160A-A, D3-160I-A

REF	PART NO.	QTY	DESCRIPTION	NOTES
1	30777092	1	Oil pump	(30637377)
2	980880	4	6 point socket screw	
3	6842273	1	Lip seal	
3A	981204	1	O-ring	
4	8642166	1	Valve	Repl by 30677893
	30677893	1	Piston cooling valve	Replaced by 30750943
	30750943	1	Piston cooling valve	
5	1275404	1	Gasket	
6	9186116	1	Suction pipe	Replaced by 30650552 and 2 pcs screw 968158.
	30650552	1	Suction line	
7	968814	1	Flange screw	
	968158	2	Flange screw	
8	30637867	1	Sealing ring	
9	11998	1	Gasket	For servo pump.
10	3588129	1	Plug	For servo pump.
11	3589182	1	Tube	
12	3587638	1	Dipstick	
13	946544	1	Flange screw	Mount on aftercooler
14	952627	1	Clamp	
15	956984	1	Fitting nut	
16	980782	1	Ferrule	
17	3588212	1	Suction pipe	Replaced by 21163590
18	958226	1	O-ring	
19	8631507	1	Sump	
20	980092	4	Flange screw	
21	975880	22	Flange screw	M7x20mm
22	985322	3	Flange screw	
23	8631513	1	Sealing ring	
24	8642560	1	Sealing ring	
25	463963	1	Valve	
26	1161059	1	Sealing compound	50ml, SN-2003004733, SN2003004843, SN2003004845, SN2003004852, SN2003004853, SN2003004857
	1161771	1	Sealing compound	SN2003004734-

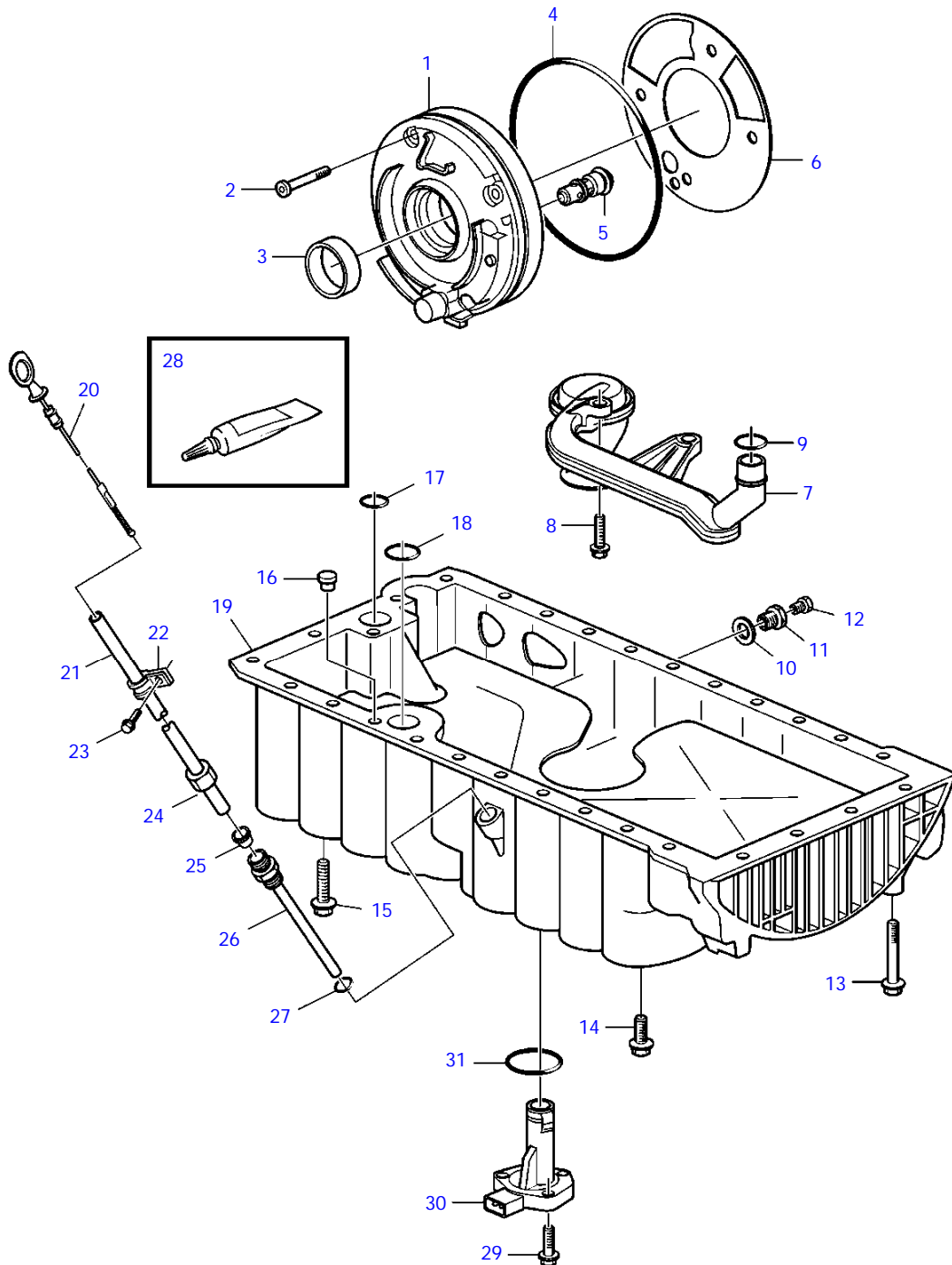
D3-110I-A, D3-130A-A, D3-130I-A, D3-160A-A, D3-160I-A



D3-110I-A, D3-130A-A, D3-130I-A, D3-160A-A, D3-160I-A

REF	PART NO.	QTY	DESCRIPTION	NOTES
1	30777092	1	Oil pump	
2	980880	4	6 point socket screw	
3	6842273	1	Lip seal	
4	981204	1	O-ring	
5	30677893	1	Piston cooling valve	
6	1275404	1	Gasket	
7	30650552	1	Suction line	
8	968158	2	Flange screw	
9	30637867	1	Sealing ring	
10	11998	1	Gasket	For servo pump.
11	3588129	1	Plug	For servo pump.
12	3589182	1	Tube	
13	3587638	1	Dipstick	
14	946544	1	Flange screw	Mount on aftercooler
15	952627	1	Clamp	
16	21163590	1	Suction pipe, kit	
17	843533	1	* Rubber cushion	
18	3847997	1	* Bracket	
19	3847993	1	* Suction pipe	
20	3888462	2	* O-ring	
21	982775	1	* Flange screw	
22	8631507	1	Sump	
23	980092	4	Flange screw	
24	975880	22	Flange screw	M7x20mm
25	985322	3	Flange screw	
26	8631513	1	Sealing ring	
27	8642560	1	Sealing ring	
28	463963	1	Valve	
29	1161059	1	Sealing compound	50ml, SN-2003004733, SN2003004843, SN2003004845, SN2003004852, SN2003004853, SN2003004857
	1161771	1	Sealing compound	SN2003004734-

D3-110I-B, D3-110I-C, D3-130A-B, D3-130I-B, D3-130A-C, D3-130I-C, D3-160A-B, D3-160I-B, D3-160A-C, D3-160I-C, D3-190A-B, D3-190I-B, D3-190A-C, D3-190I-C



22718

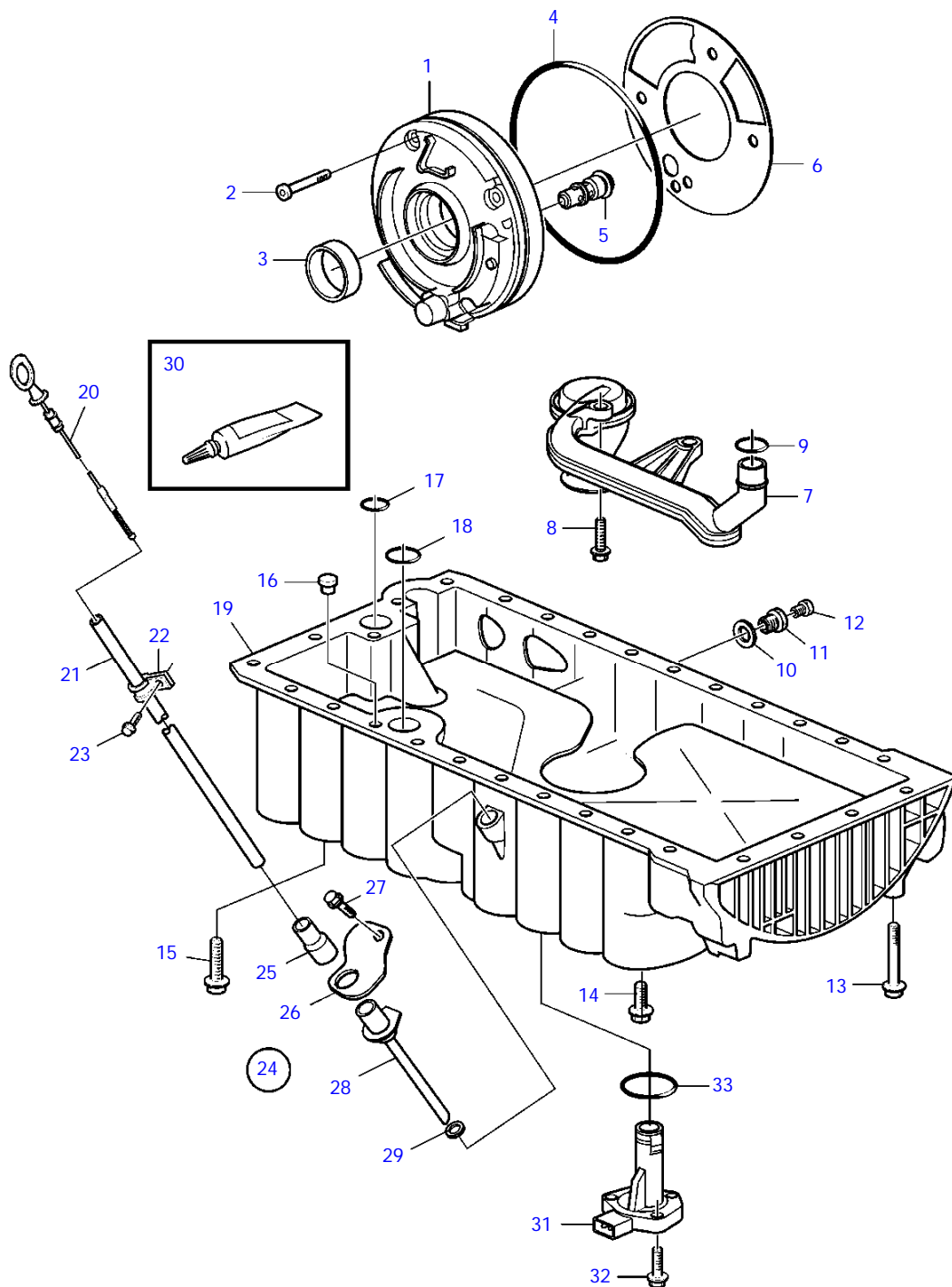
D3-110I-B, D3-110I-C, D3-130A-B, D3-130I-B, D3-130A-C, D3-130I-C, D3-160A-B, D3-160I-B, D3-160A-C, D3-160I-C, D3-190A-B, D3-190I-B, D3-190A-C, D3-190I-C

REF	PART NO.	QTY	DESCRIPTION	NOTES
1	30637377	1	Oil pump	SN-334746, Repl by 30777092
	30777092	1	Oil pump	SN334747-
2	980880	4	6 point socket screw	
3	6842273	1	Lip seal	
4	981204	1	O-ring	
5	30677893	1	Piston cooling valve	SN-350113
	30750943	1	Piston cooling valve	SN350114-
6	1275404	1	Gasket	
7	30650552	1	Suction line	
8	968158	2	Flange screw	
9	30637867	1	Sealing ring	
10	11998	1	Gasket	For servo pump.
11	3588129	1	Plug	For servo pump.
12		1	Screw	For servo pump.
13	980092	4	Flange screw	
14	975880	22	Flange screw	
15	985322	3	Flange screw	
16	463963	1	Valve	
17	8642560	1	Sealing ring	
18	8631513	1	Sealing ring	
19	8670460	1	Sump	SN-334746
	30713677	1	Sump	SN334747-, Repl by 30777966
	30777966	1	Sump	SN334747-
20	3883471	1	Dipstick	
21	3883490	1	Tube	
22	952627	1	Clamp	
23	946544	1	Flange screw	
24	956984	1	Fitting nut	
25	980782	1	Ferrule	
26	3588212	1	Suction pipe	Replaced by 21163590
27	958226	1	O-ring	
28	1161059	1	Sealing compound	50ml, SN-2003004563, SN2003004843, SN2003004845, SN2003004852, SN2003004853, SN2003004857
	1161771	1	Sealing compound	SN2003004734-
29	947542	3	Flange screw	
30	30750939	1	Sensor	Repl by 30774625
	30774625	1	Level sensor	
31	8675328	1	O-ring	





D3-110I-B, D3-110I-C, D3-130A-B, D3-130I-B, D3-130A-C, D3-130I-C, D3-160A-B, D3-160I-B, D3-160A-C, D3-160I-C, D3-190A-B, D3-190I-B, D3-190A-C, D3-190I-C

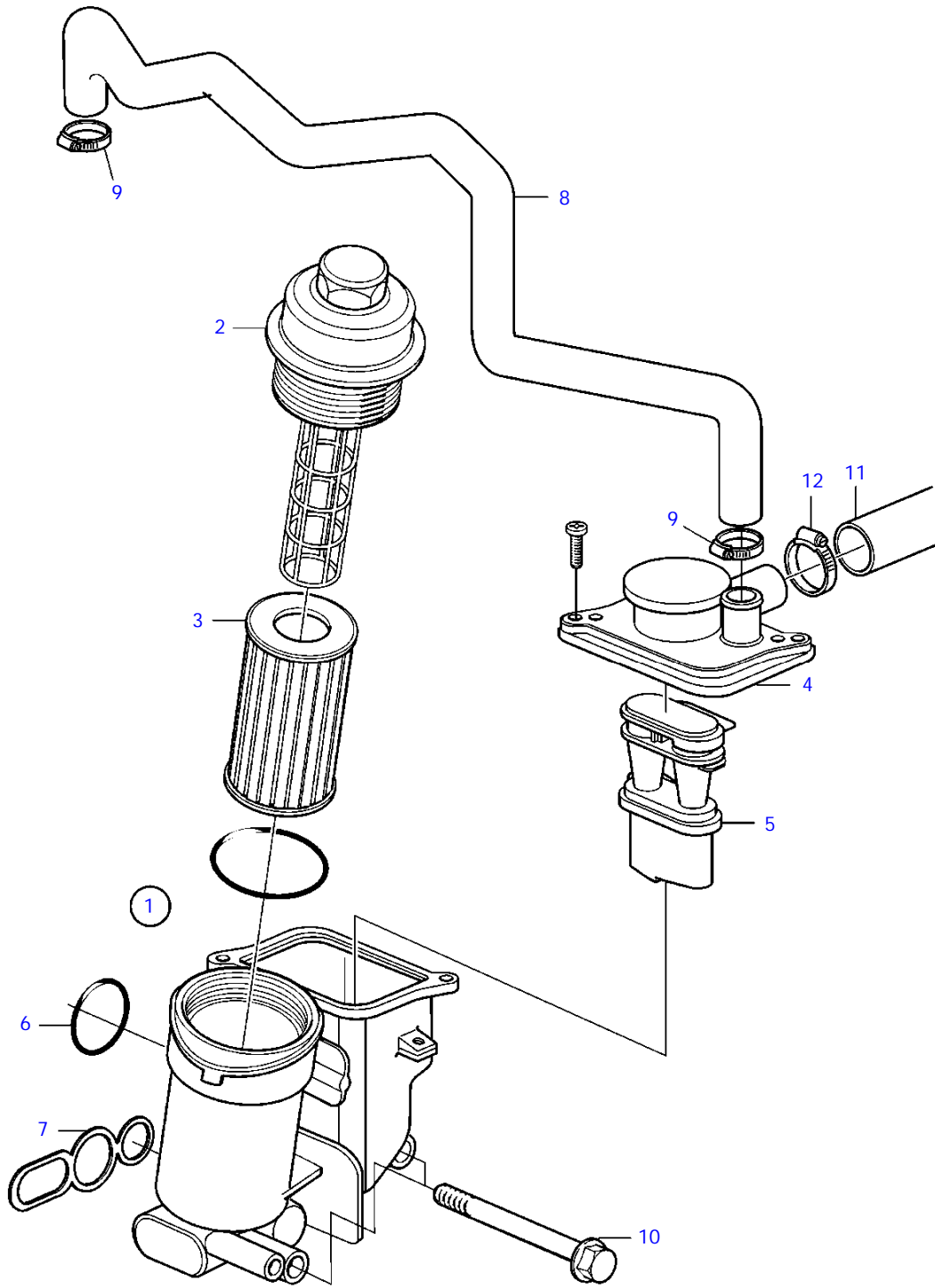


24698

D3-110I-B, D3-110I-C, D3-130A-B, D3-130I-B, D3-130A-C, D3-130I-C, D3-160A-B, D3-160I-B, D3-160A-C, D3-160I-C, D3-190A-B, D3-190I-B, D3-190A-C, D3-190I-C

REF	PART NO.	QTY	DESCRIPTION	NOTES
1	30777092	1	Oil pump	
2	980880	4	6 point socket screw	
3	6842273	1	Lip seal	
4	981204	1	O-ring	
5	30677893	1	Piston cooling valve	SN-350113
	30750943	1	Piston cooling valve	SN350114-
6	1275404	1	Gasket	
7	30650552	1	Suction line	
8	968158	2	Flange screw	
9	30637867	1	Sealing ring	
10	11998	1	Gasket	For servo pump.
11	3588129	1	Plug	For servo pump.
12	973924	1	Flange screw	For servo pump.
13	980092	4	Flange screw	
14	975880	22	Flange screw	
15	985322	3	Flange screw	
16	463963	1	Valve	
17	8642560	1	Sealing ring	
18	8631513	1	Sealing ring	
19	8670460	1	Sump	SN-334746
	30777966	1	Sump	SN334747-, (30713677)
20	3883471	1	Dipstick	
21	3883490	1	Tube	
22	952627	1	Clamp	
23	946544	1	Flange screw	
24	21163590	1	Suction pipe, kit	
25	843533	1	* Rubber cushion	
26	3847997	1	* Bracket	
27	982775	1	* Flange screw	
28	3847993	1	* Suction pipe	
29	3888462	2	* O-ring	
30	1161059	1	Sealing compound	50ml, SN-2003004733, SN2003004843, SN2003004845, SN2003004852, SN2003004853, SN2003004857
	1161771	1	Sealing compound	SN2003004734-
31	30774625	1	Level sensor	
32	947542	3	Flange screw	
33	8675328	1	O-ring	

D3-110I-A, D3-130A-A, D3-130I-A, D3-160A-A, D3-160I-A



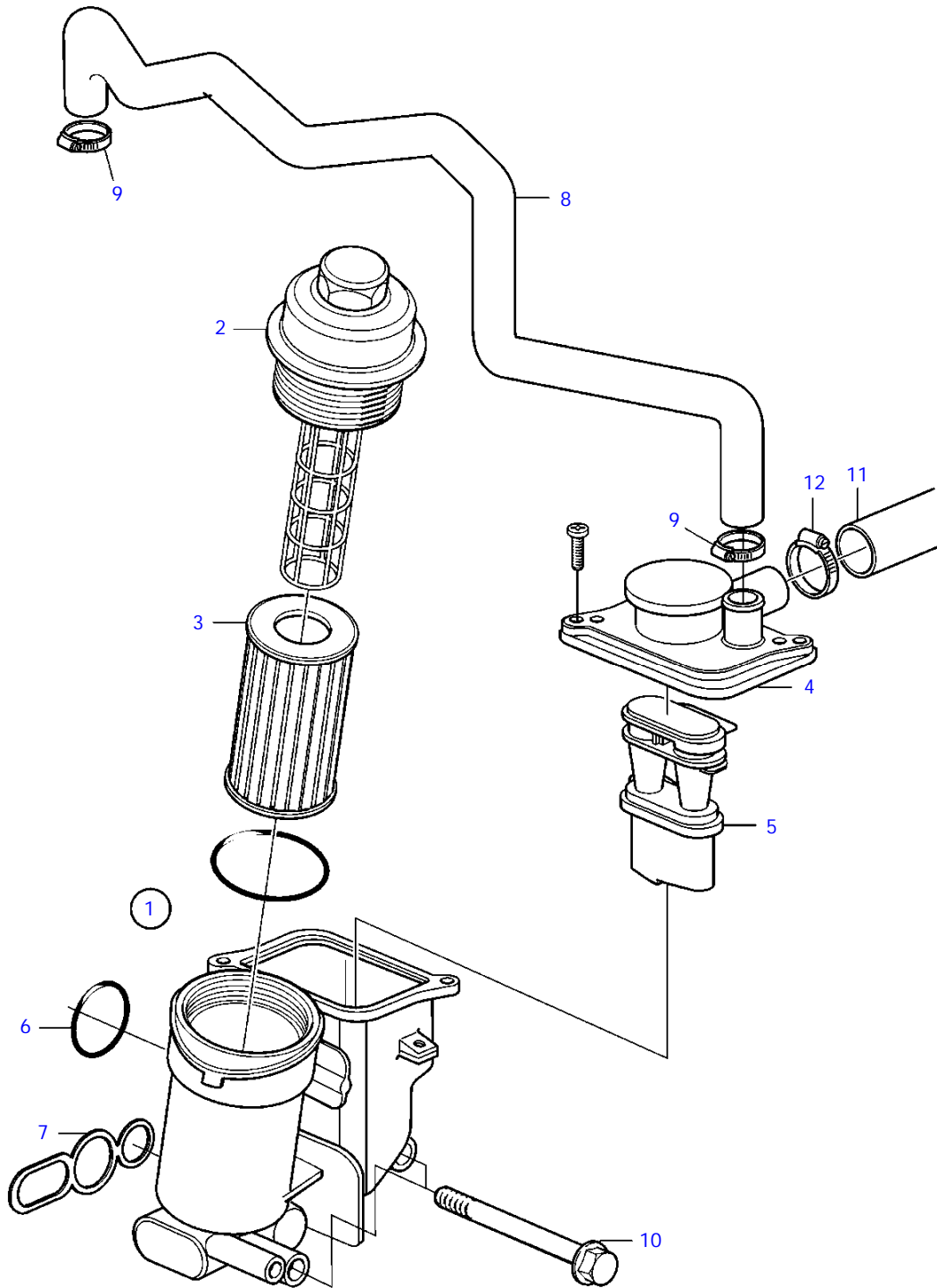
19720

D3-110I-A, D3-130A-A, D3-130I-A, D3-160A-A, D3-160I-A

REF	PART NO.	QTY	DESCRIPTION	NOTES
1	30677920	1	Oil filter	(8642839)
2	8692306	1	* Cover	(8692304)
3	8692305	1	* Oil filter	
4	8642424	1	* Valve	
5	8642426	1	* Oil separator	Replaced by 30677920, Oil filter house.
6	8642828	1	* Seal	
7	8642421	1	* Seal	
8	8692241	1	Hose	
9		2	Hose clamp	
10	982781	4	Flange screw	
11	3586800	1	Hose, crankcase vent.	
12	943473	2	Hose clamp	



D3-110I-B, D3-110I-C, D3-130A-B, D3-130I-B, D3-130A-C, D3-130I-C, D3-160A-B, D3-160I-B, D3-160A-C, D3-160I-C, D3-190A-B, D3-190I-B, D3-190A-C, D3-190I-C

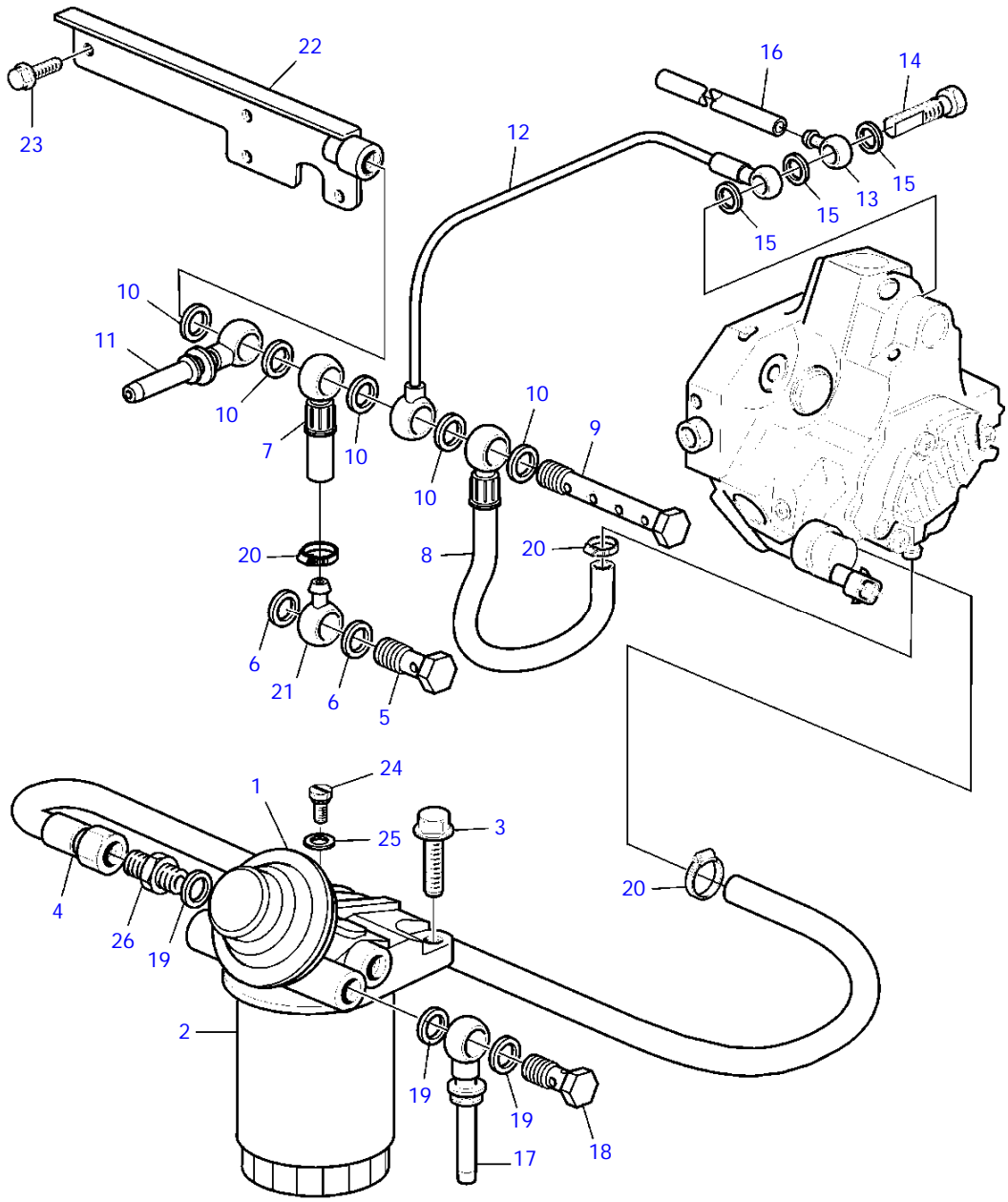


19720

D3-110I-B, D3-110I-C, D3-130A-B, D3-130I-B, D3-130A-C, D3-130I-C, D3-160A-B, D3-160I-B, D3-160A-C, D3-160I-C, D3-190A-B, D3-190I-B, D3-190A-C, D3-190I-C

REF	PART NO.	QTY	DESCRIPTION	NOTES
1	30677920	1	Oil filter	
2	8692306	1	* Cover	
3	8692305	1	* Oil filter	
4	8642424	1	* Valve	
5		1	* Oil separator	Order 30677920, oil filter house.
6	8642828	1	* Seal	
7	8642421	1	* Seal	
8	8653562	1	Hose	
9		2	Hose clamp	
10	982781	4	Flange screw	
11	3817387	1	Hose, crankcase vent.	
12	943473	2	Hose clamp	

D3-110I-A, D3-130A-A, D3-130I-A, D3-160A-A, D3-160I-A



19707



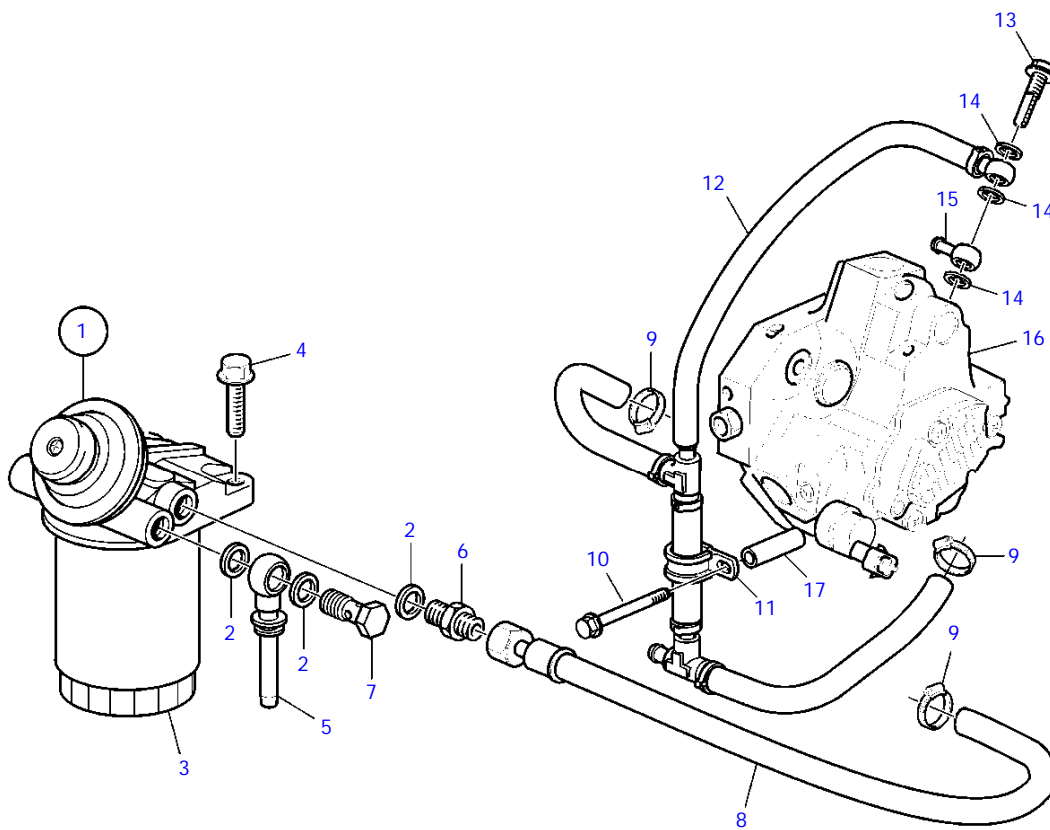
D3-110I-A, D3-130A-A, D3-130I-A, D3-160A-A, D3-160I-A

REF	PART NO.	QTY	DESCRIPTION	SEE SEC.	NOTES
1	3586804	1	Filter housing		Repl by 3884825
	3884825	1	Fuel filter kit		
				9383	
2	31261191	1	Fuel filter		(8683212)
3	946472	2	Flange screw		M10x30mm
4	3584300	1	Hose		
5	986735	1	Screw		
6	11996	2	Gasket		
7	3584309	1	Hose		
8	3584341	1	Hose		
9	3584469	1	Hollow screw		
10	969011	5	Gasket		
11	3587322	1	Banjo nipple		
12	3587321	1	Pipe		
13	8642836	1	Nipple		
14	3580939	1	Screw		
15	8642838	3	Gasket		
16	(3584310)	1	Hose		Obsolete part
17	3587322	1	Banjo nipple		
18	25167	1	Hollow screw		
19	969011	3	Gasket		
20	993979	4	Hose clamp		
21	8667542	1	Banjo nipple		
22	889511	1	Bracket		
23	(968159)	2	Flange screw		Obsolete part, M7x30mm
24	3589276	1	Air nipple		
25	11991	1	Gasket		
26	941754	1	Nipple		





D3-110I-B, D3-110I-C, D3-130A-B, D3-130I-B, D3-130A-C, D3-130I-C, D3-160A-B, D3-160I-B, D3-160A-C, D3-160I-C, D3-190A-B, D3-190I-B, D3-190A-C, D3-190I-C

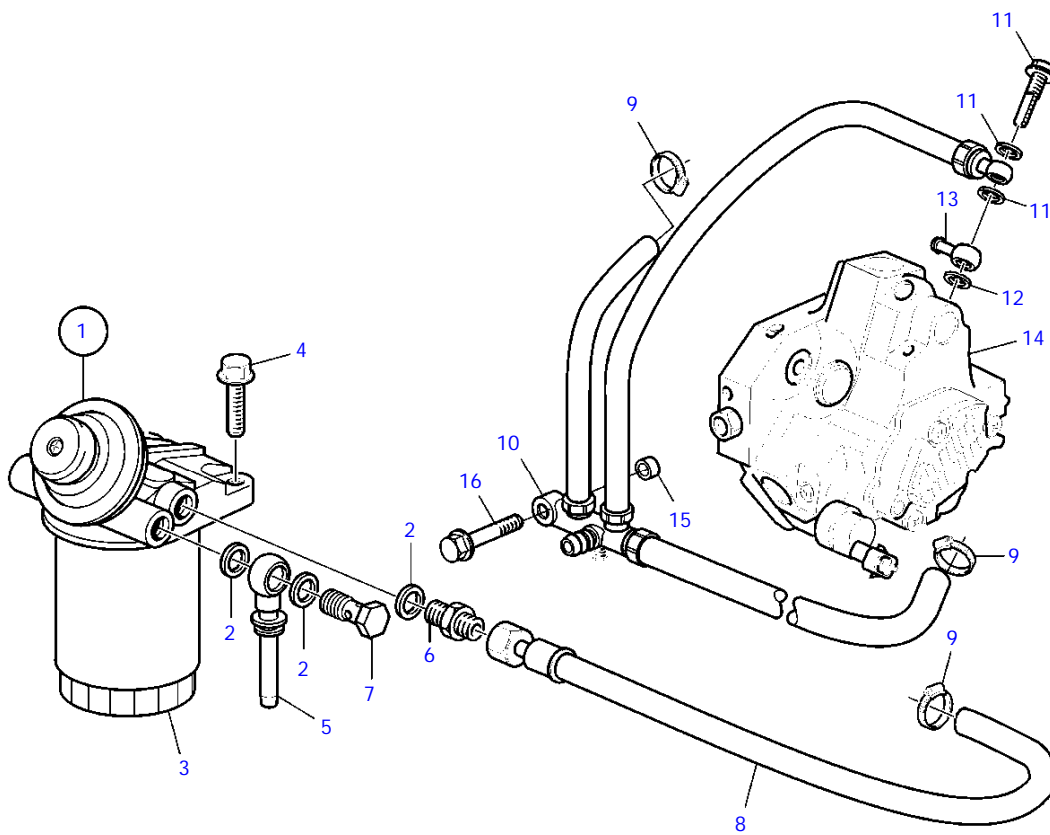


22724

D3-110I-B, D3-110I-C, D3-130A-B, D3-130I-B, D3-130A-C, D3-130I-C, D3-160A-B, D3-160I-B, D3-160A-C, D3-160I-C, D3-190A-B, D3-190I-B, D3-190A-C, D3-190I-C

REF	PART NO.	QTY	DESCRIPTION	SEE SEC.	NOTES
1	3884825	1	Fuel filter kit		
2	969011	3	Gasket		
3	31261191	1	Fuel filter		(8683212)
4	946472	1	Flange screw		
5	3587322	1	Banjo nipple		
6	941754	1	Nipple		
7	25167	1	Hollow screw		
8	3812630	1	Fuel hose		
9	961663	3	Hose clamp		
10	946544	1	Flange screw		
11	980614	1	Clamp		
12	3843279	1	Fuel hose		Replaced by 40005179
		1	*	35576	
13	3580939	1	Screw		
14	861841	3	Washer		
15	3842375	1	Banjo nipple		
16	3803910	1	High-pressure pump,		
			*	9552	
17	846425	1	Spacer sleeve		

D3-110I-B, D3-110I-C, D3-130A-B, D3-130I-B, D3-130A-C, D3-130I-C, D3-160A-B, D3-160I-B, D3-160A-C, D3-160I-C, D3-190A-B, D3-190I-B, D3-190A-C, D3-190I-C



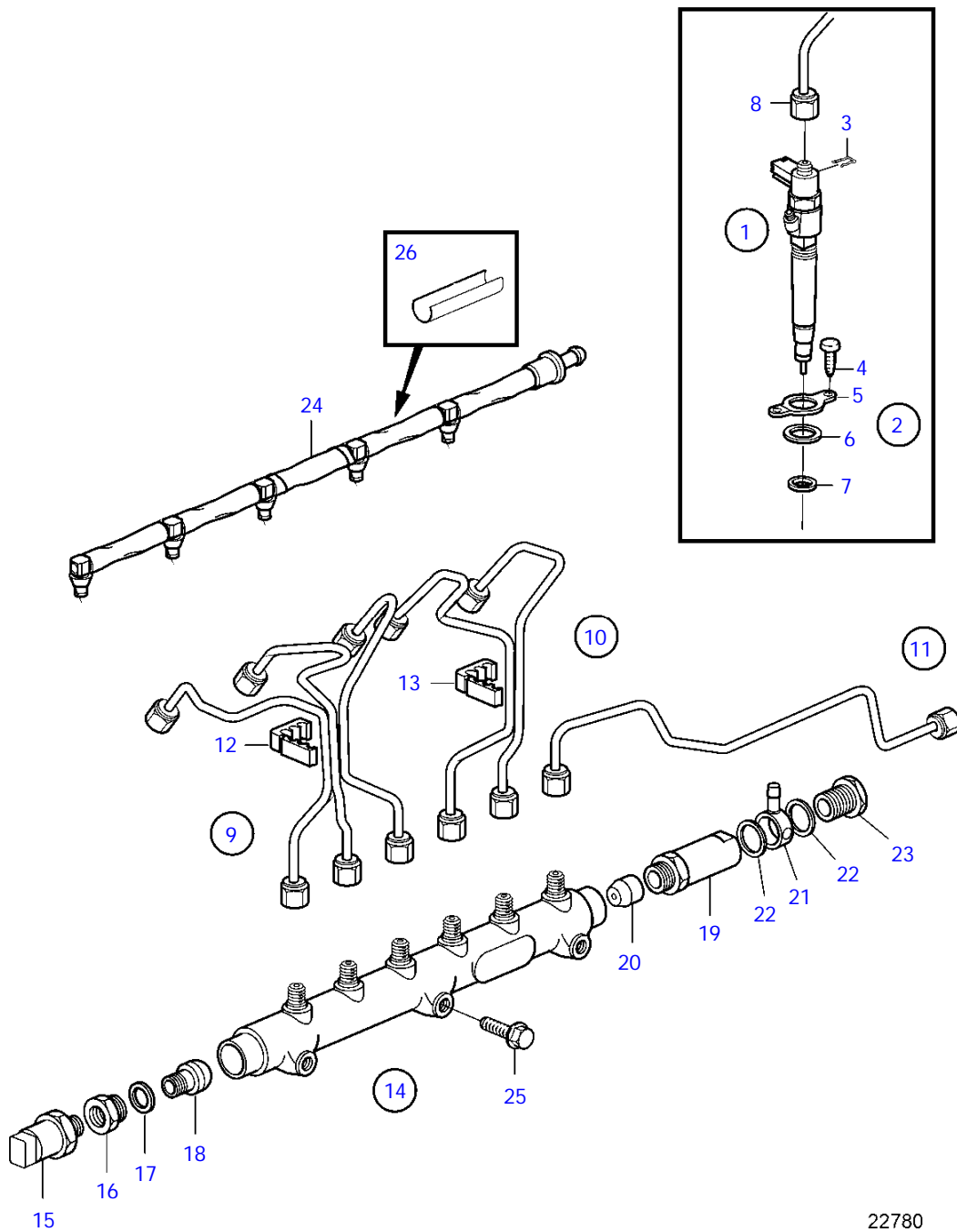
24714

D3-110I-B, D3-110I-C, D3-130A-B, D3-130I-B, D3-130A-C, D3-130I-C, D3-160A-B, D3-160I-B, D3-160A-C, D3-160I-C, D3-190A-B, D3-190I-B, D3-190A-C, D3-190I-C

REF	PART NO.	QTY	DESCRIPTION	SEE SEC.	NOTES
1	3884825	1	Fuel filter kit		
2	969011	3	Gasket		
3	31261191	1	Fuel filter		(8683212)
4	946472	1	Flange screw		
5	3587322	1	Banjo nipple		
6	941754	1	Nipple		
7	25167	1	Hollow screw		
8	3812630	1	Fuel hose		
9	961663	3	Hose clamp		
10	40005179	1	Nipple		
11	3580939	1	Screw		
12	861841	3	Washer		
13	3842375	1	Banjo nipple		
14	3803910	1	High-pressure pump, *	9552	
15	829653	1	Spacer sleeve		
16	965180	1	Flange screw		



D3-110I-A, D3-130A-A, D3-130I-A, D3-160A-A, D3-160I-A

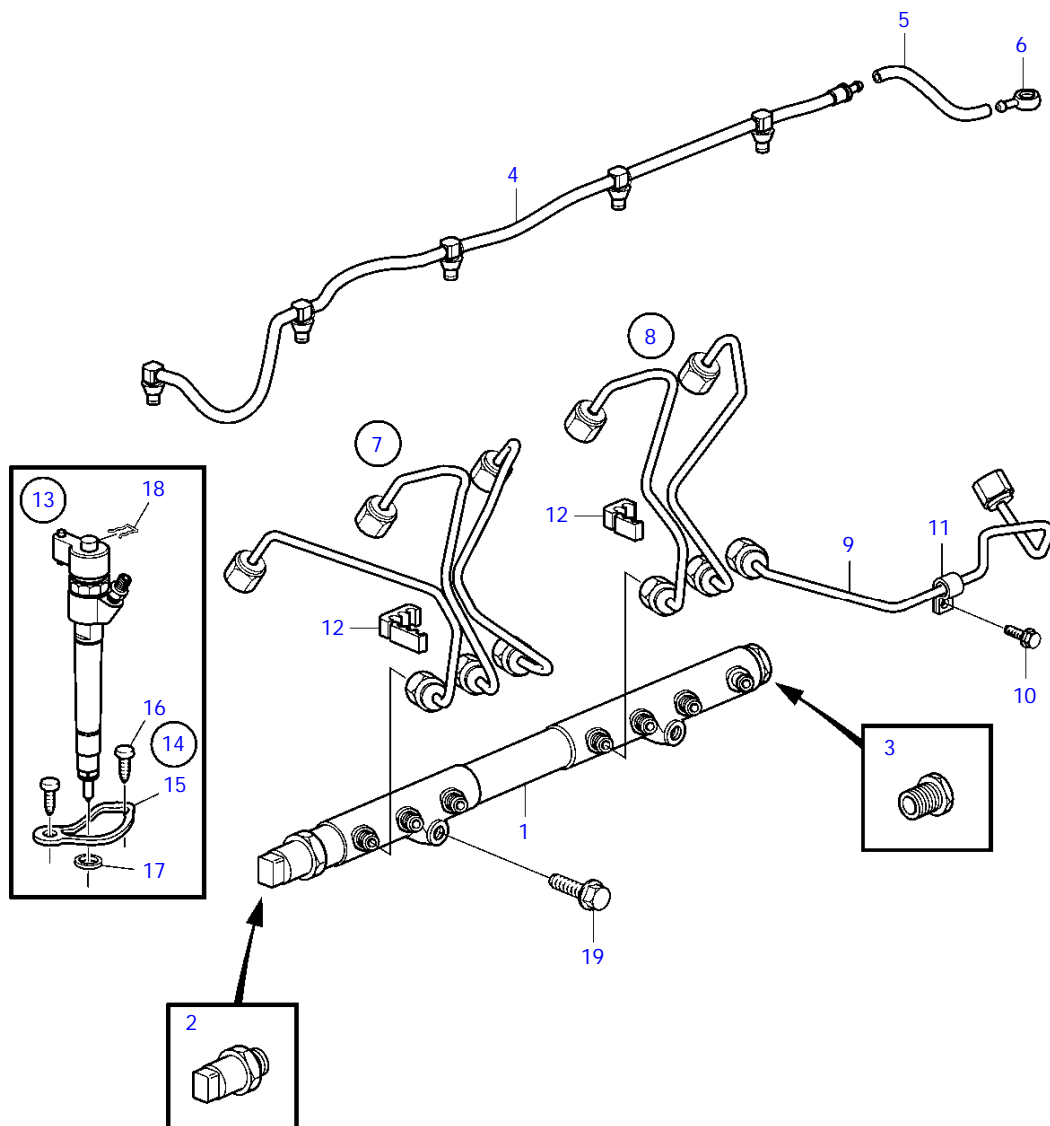


22780

D3-110I-A, D3-130A-A, D3-130I-A, D3-160A-A, D3-160I-A

REF	PART NO.	QTY	DESCRIPTION	NOTES
1	3801152	1	Injector, cyl 1	
	3801153	1	Injector, cyl 2	
	3801154	1	Injector, cyl 3	
	3801155	1	Injector, cyl 4	
	3801156	1	Injector, cyl 5	
2	30650390	1	* Kit	
3	8631586	1	* • Clamp	
4	987494	2	* • Flange screw	
5	8631583	1	* • Retaining clamp	
6	8692479	1	* • Washer	
7	8631582	1	* • Washer	
8		1	* Fuel pipe	Included in exchange kit for injector.
9	30731826	1	Pressure pipe	Fuel pipe cyl. 1-3, Clips 30677791 included., (30677135)
10	31272680	1	Pressure pipe	Fuel pipe cyl. 4-5, Clips 8631597 included., (30677136)
11	30731828	1	Pressure pipe	(30677137)
12	30677791	1	Clip	For three pipes.
13	8631597	1	Clip	For two pipes.
14	8658252	1	Common rail	(30622085)
15	30637150	1	* Pressure sensor	(30637412)
16	8627834	1	* Adapter	
17	8627837	1	* Gasket	
18			*	
19	30637151	1	* Valve	
20		1	* Adapter	
21	8667542	1	* Banjo nipple	
22	11996	2	* Gasket	
23	986735	1	* Screw	
24	30750957	1	Leak-off line	(8670357)
25	982781	3	Flange screw	
26	3808926	1	Tape	L=80mm

D3-110I-B, D3-110I-C, D3-130A-B, D3-130I-B, D3-130A-C, D3-130I-C, D3-160A-B, D3-160I-B, D3-160A-C, D3-160I-C, D3-190A-B, D3-190I-B, D3-190A-C, D3-190I-C



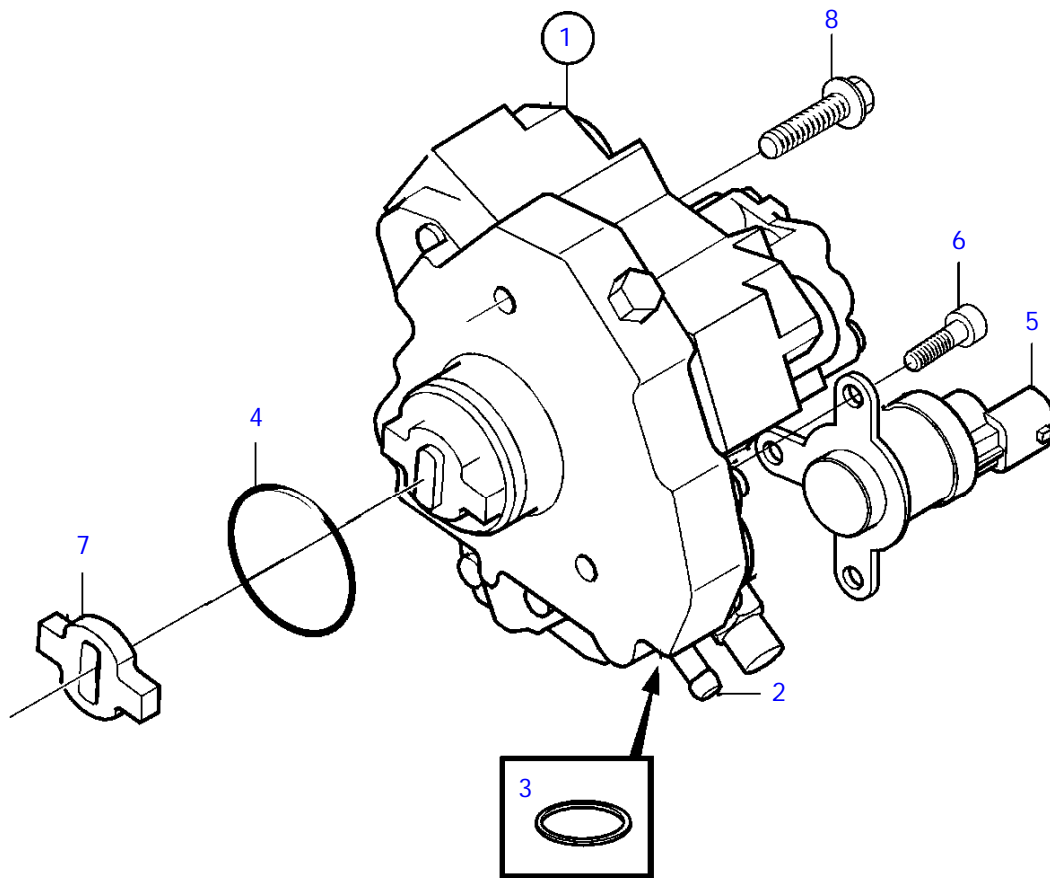
22722

D3-110I-B, D3-110I-C, D3-130A-B, D3-130I-B, D3-130A-C, D3-130I-C, D3-160A-B, D3-160I-B, D3-160A-C, D3-160I-C, D3-190A-B, D3-190I-B, D3-190A-C, D3-190I-C

REF	PART NO.	QTY	DESCRIPTION	NOTES
1	3809500	1	Rail	
2	3884352	1	* Pressure sensor	Delivered with grease and installation instruction.
3	3884353	1	* Pressure limiting va	Delivered with grease and installation instruction.
4	30750957	1	Leak-off line	(8670357)
5	(3584310)	1	Hose	Obsolete part
6	3842375	1	Banjo nipple	
7	31216005	1	Pressure pipe	Fuel pipe cyl. 1-3, (30777506), (30757442)
8	31272621	1	Pressure pipe	Fuel pipe cyl. 4-5, (30777507), (30757443), (31216006)
9	31216007	1	Pressure pipe	(30777508), (30757444)
10	946934	1	Flange screw	M6x20mm
11	952623	1	Clamp	
12	8631597	1	Clip	For 2 pipes.
	30677791		Clip	For 3 pipes.
13	3801259	1	Injector	Cyl 1,2,3, With pressure pipes
	3801260	1	Injector	Cyl 4,5, With pressure pipes
14	31272194	1	Spare parts kit	
15	31216697	1	* Retaining clamp	
16	987494	2	* Flange screw	
17	8631582	1	* Washer	
18	8627730	1	Clip	
19	973924	2	Flange screw	M8x50mm



D3-110I-A, D3-130A-A, D3-130I-A, D3-160A-A, D3-160I-A

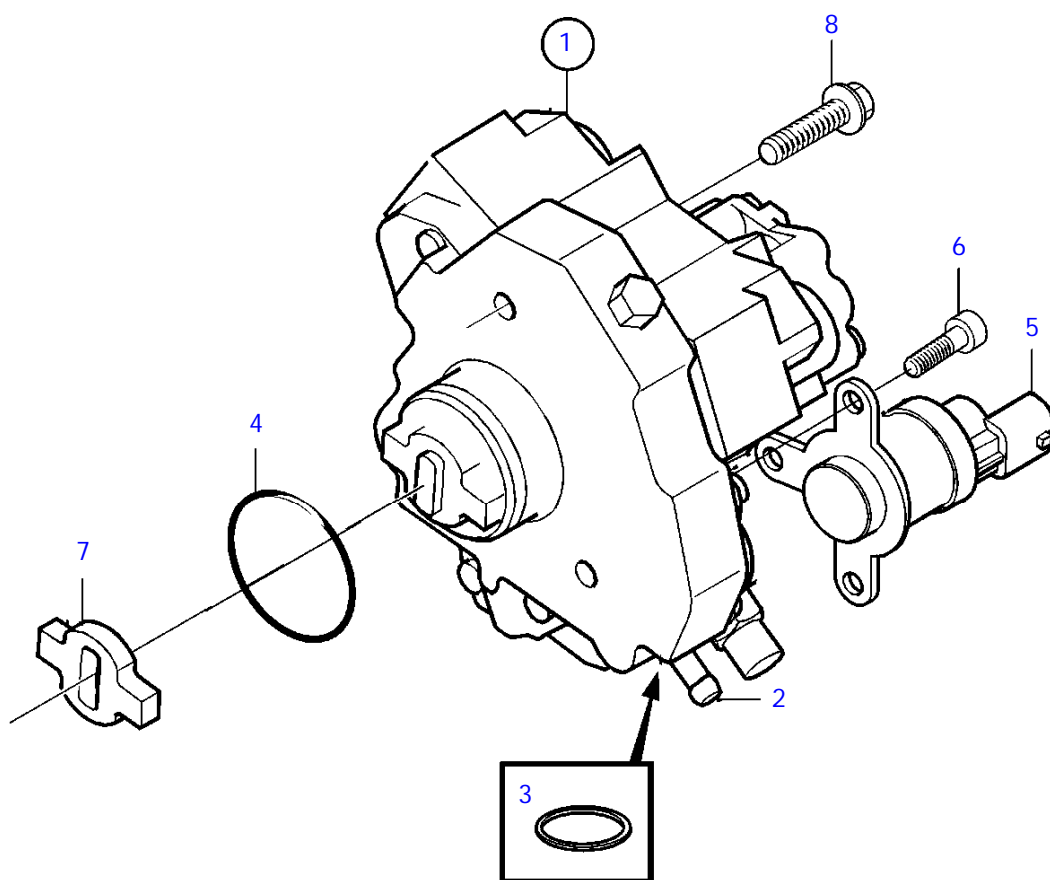


23675

D3-110I-A, D3-130A-A, D3-130I-A, D3-160A-A, D3-160I-A

REF	PART NO.	QTY	DESCRIPTION	NOTES
1	3803907	1	High-pressure pump,	(3803644), Replaced by 8603893
	8603893	1	High-pressure pump	Replaced by 8251785
	3803907	1	High-pressure pump,, exch	Replaced by 8251785
	8251785	1	High-pressure pump	
2	30731749	2	* Nipple	(8642459)
3	947282	2	* Gasket	(8653378)
4	8631580	1	* O-ring	
5	30731748	1	* Solenoid valve	
6	8692268	3	* Screw	
7	8627612	1	Connection block	For cam shaft 8658358 and 30731214
	8653606	1	Connection block	For cam shaft 8699506 and 30677509 and 30750758
8	987428	3	Flange screw	

D3-110I-B, D3-110I-C, D3-130A-B, D3-130I-B, D3-130A-C, D3-130I-C, D3-160A-B, D3-160I-B, D3-160A-C, D3-160I-C,  
D3-190A-B, D3-190I-B, D3-190A-C, D3-190I-C

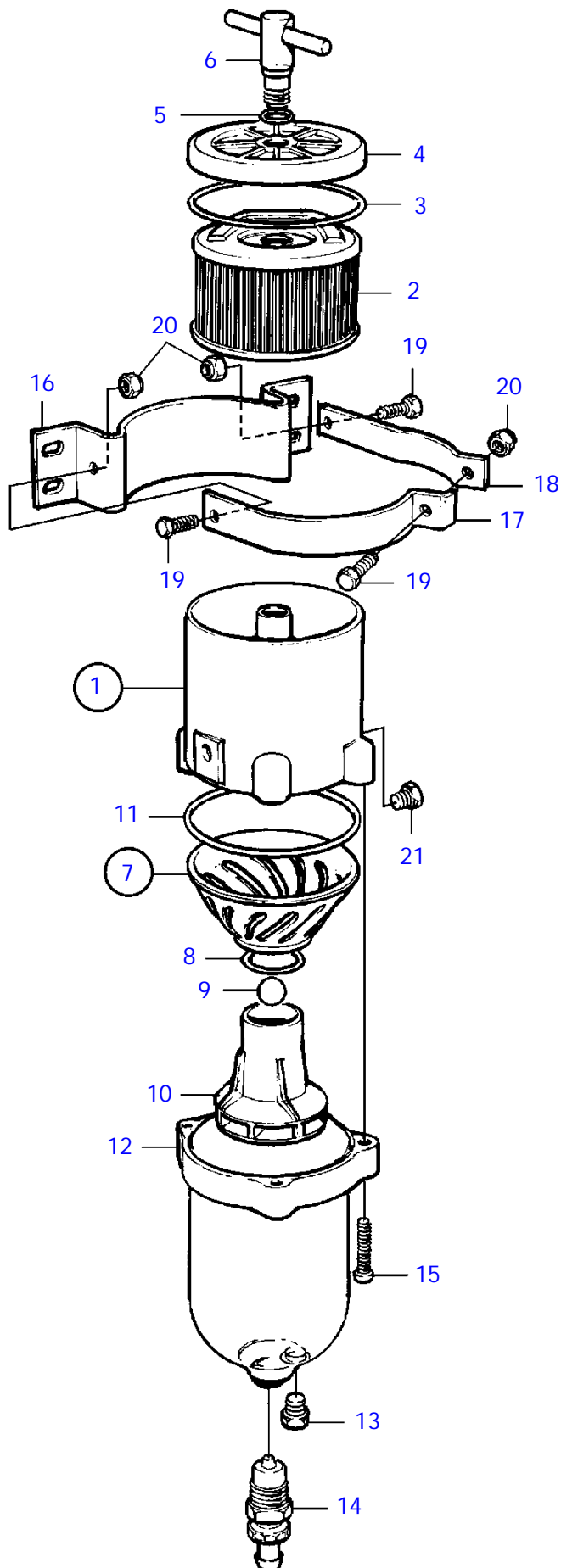


23675

D3-110I-B, D3-110I-C, D3-130A-B, D3-130I-B, D3-130A-C, D3-130I-C, D3-160A-B, D3-160I-B, D3-160A-C, D3-160I-C, D3-190A-B, D3-190I-B, D3-190A-C, D3-190I-C

REF	PART NO.	QTY	DESCRIPTION	NOTES
1	3803910	1	High-pressure pump,	
2	30731749	2	* Nipple	(8642459)
3	947282	2	* Gasket	(8653378)
4	8631580	1	* O-ring	
5	30731748	1	* Solenoid valve	
6	8692268	3	* Screw	
7	8653606	1	Connection block	For cam shaft 8699506 and 30677509 and 30750758
8	987428	3	Flange screw	

D3-110I-A, D3-110I-B, D3-110I-C, D3-130A-A, D3-130I-A, D3-130A-B, D3-130I-B, D3-130A-C, D3-130I-C, D3-160A-A, D3-160I-A, D3-160A-B, D3-160I-B, D3-160A-C, D3-160I-C, D3-190A-B, D3-190I-B, D3-190A-C, D3-190I-C



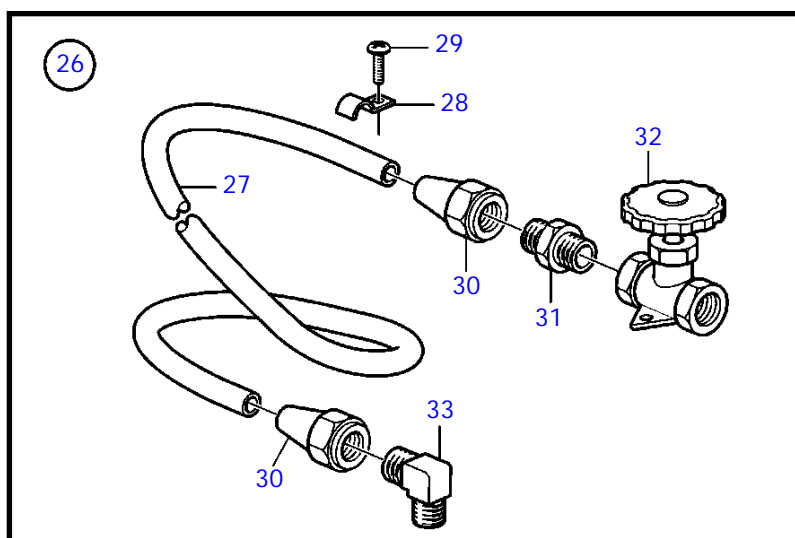
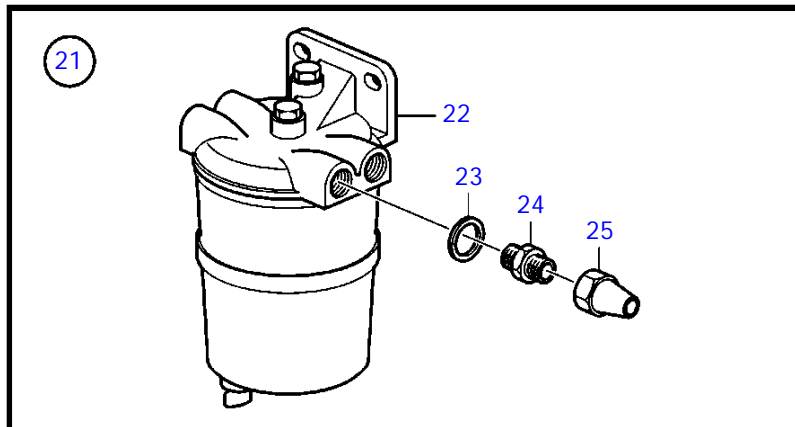
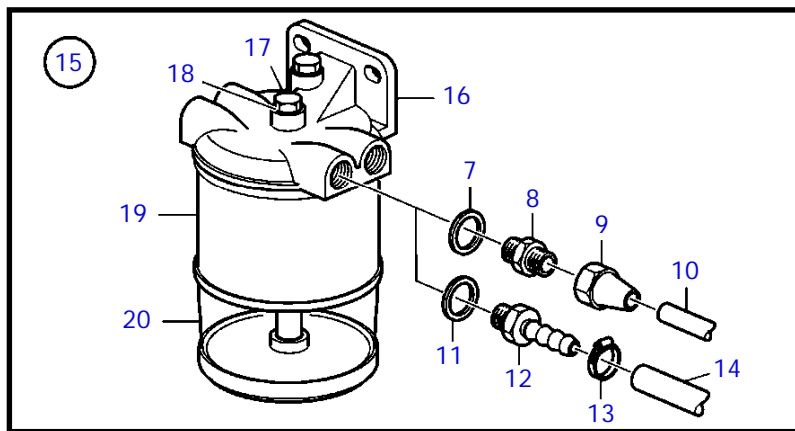
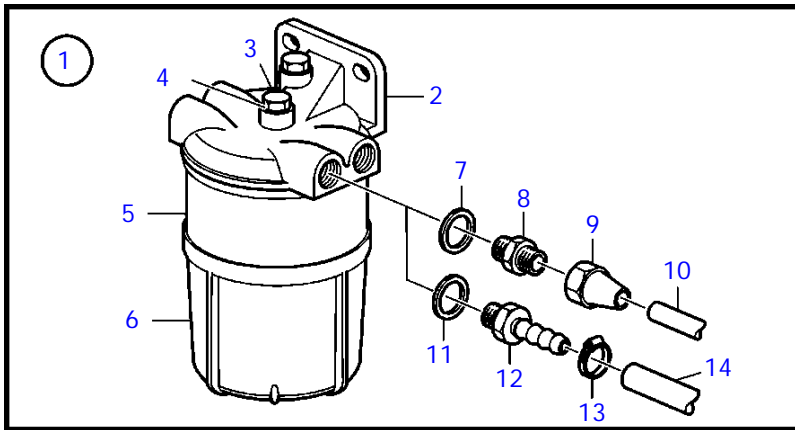
19983

D3-110I-A, D3-110I-B, D3-110I-C, D3-130A-A, D3-130I-A, D3-130A-B, D3-130I-B, D3-130A-C, D3-130I-C, D3-160A-A, D3-160I-A, D3-160A-B, D3-160I-B, D3-160A-C, D3-160I-C, D3-190A-B, D3-190I-B, D3-190A-C, D3-190I-C

REF	PART NO.	QTY	DESCRIPTION	SEE SEC.	NOTES
1	3582350	1	Fuel filter		
			* Bulletin 50-11A	50-11A-EN	Fuel Filters / Water Separators
2	861014	1	* Insert		
3	838504	1	* Gasket		
4		1	* Lock		
5	838505	1	* O-ring		
6		1	* Handle		
7	861455	1	* O-ring		
8		1	* O-ring		
9		1	* Ball		
10		1	* Insert		
11	3838861	1	* Gasket		
12	3838848	1	* Bowl		
13		1	* Plug		
14	861456	1	* Faucet		
15	950024	4	* Cross recessed screw		
16		1	* Bracket		
17		1	* Clamp		
18		1	* Clamp		
19		3	* Screw		
20		3	* Nut		
21		1	* Plug		



D3-110I-A, D3-110I-B, D3-110I-C, D3-130A-A, D3-130I-A, D3-130A-B, D3-130I-B, D3-130A-C, D3-130I-C, D3-160A-A, D3-160I-A, D3-160A-B, D3-160I-B, D3-160A-C, D3-160I-C, D3-190A-B, D3-190I-B, D3-190A-C, D3-190I-C



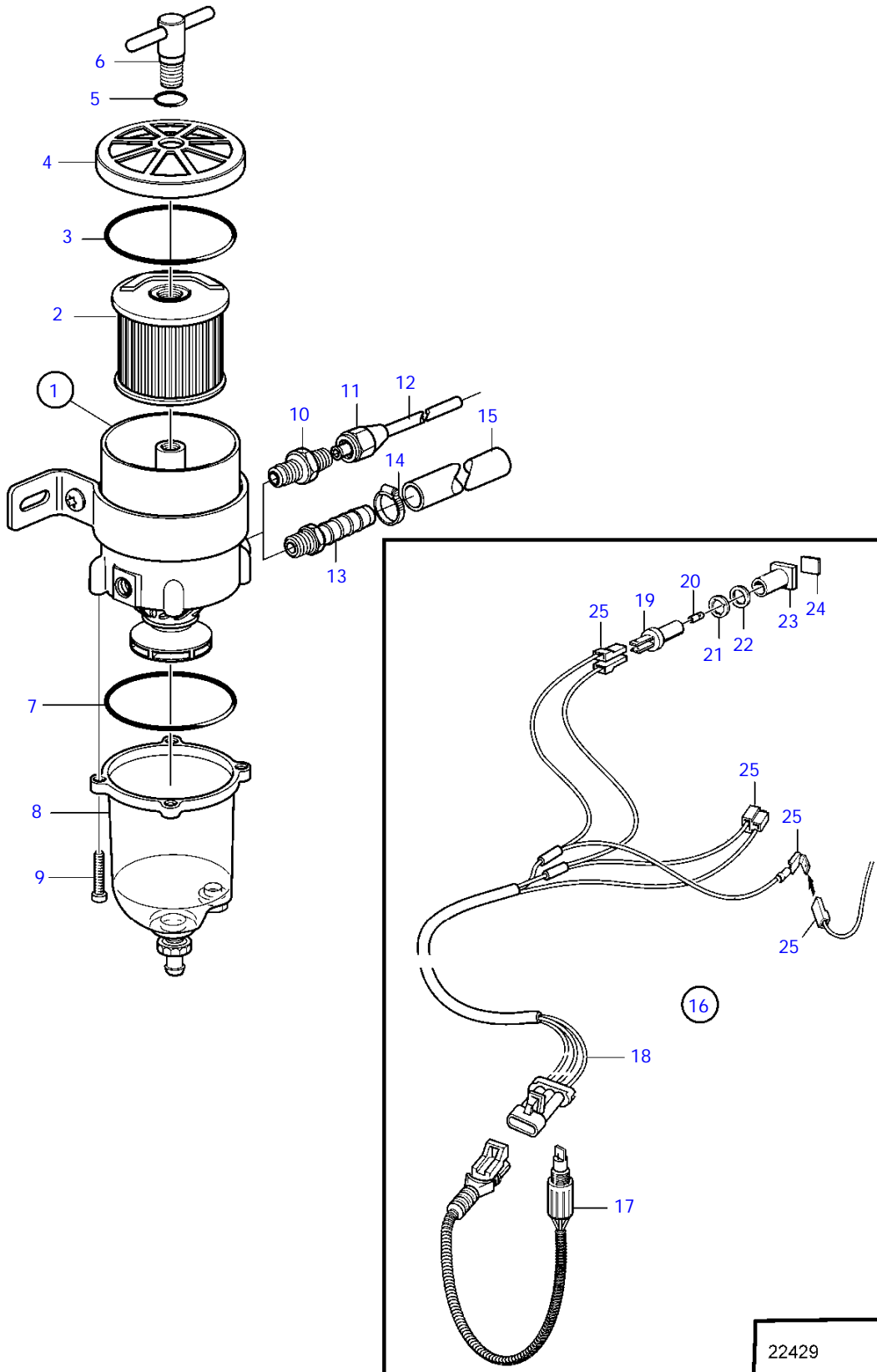
22464

D3-110I-A, D3-110I-B, D3-110I-C, D3-130A-A, D3-130I-A, D3-130A-B, D3-130I-B, D3-130A-C, D3-130I-C, D3-160A-A, D3-160I-A, D3-160A-B, D3-160I-B, D3-160A-C, D3-160I-C, D3-190A-B, D3-190I-B, D3-190A-C, D3-190I-C

REF	PART NO.	QTY	DESCRIPTION	SEE SEC.	NOTES
1	877766	1	Fuel filter		Fuel filter and water separator., Metal
2		1	* Fuel filter		
			* Bulletin 50-11A	50-11A-EN	Fuel Filters / Water Separators
3	940113	1	* * Hexagon screw		
4	11992	1	* * Gasket		
5	3581078	1	* * Filter insert		
6	3582499	1	* * Bowl		
7	18817	2	Gasket		
8	190962	2	Nipple		5/16"
	954337	2	Nipple		3/8"
9	954322	2	Fitting nut		5/16"
	954323	2	Fitting nut		3/8"
10	954305	X	Tube		Water separator., 5/16"
			* Bulletin P-23-4-3	P-23-4-3-EN	Fuel Line 5/16", Copper Pipe
10	1140062	X	Copper tube		Water separator., 3/8"
11	957177	2	Gasket		
12	3825000	2	Hose nipple		
13	961664	2	Hose clamp		
14	861057	X	Fuel hose		3/8"
			* Bulletin P-23-4-4	P-23-4-4-EN	Fuel Hose P/N 861057
15	877767	1	Fuel filter		Plastic
16		1	* Fuel filter		
17	940113	1	* * Hexagon screw		
18	11992	1	* * Gasket		
19	3581078	1	* * Filter insert		
20	3581189	1	* * Bowl		
21	833972	1	Water separator		
22	833971	1	* Water separator		
23	957177	2	* Gasket		
24	191397	2	* Nipple		5/16"
	941438	2	* Nipple		3/8"
25	954322	2	* Fitting nut		5/16"
	954323	2	* Fitting nut		3/8"
26	(827912)	1	Fuel pipe		Obsolete part, 5/16"
			* Bulletin P-23-4-3	P-23-4-3-EN	Fuel Line 5/16", Copper Pipe
27	954305	1	* Tube		5/16", L=5000mm
			* Bulletin P-23-4-3	P-23-4-3-EN	Fuel Line 5/16", Copper Pipe
28	951189	15	* Clamp		
29	968476	15	* Flange screw		
30	954322	3	* Fitting nut		5/16"
31	954336	2	* Nipple		5/16"
32	3581708	1	* Faucet		
33	954343	1	* Elbow nipple		



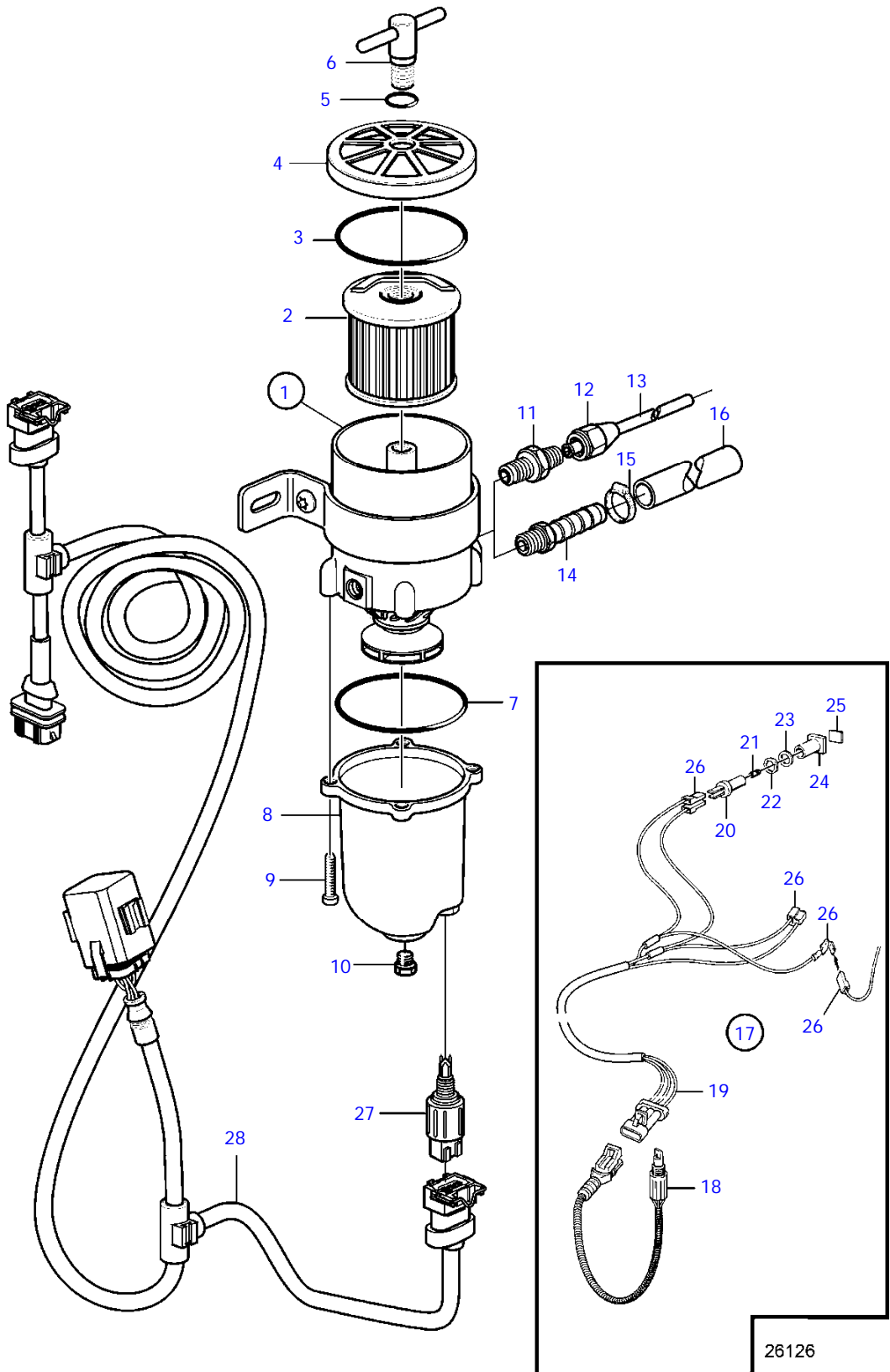
D3-110I-A, D3-110I-B, D3-110I-C, D3-130A-A, D3-130I-A, D3-130A-B, D3-130I-B, D3-130A-C, D3-130I-C, D3-160A-A, D3-160I-A, D3-160A-B, D3-160I-B, D3-160A-C, D3-160I-C, D3-190A-B, D3-190I-B, D3-190A-C, D3-190I-C



D3-110I-A, D3-110I-B, D3-110I-C, D3-130A-A, D3-130I-A, D3-130A-B, D3-130I-B, D3-130A-C, D3-130I-C, D3-160A-A, D3-160I-A, D3-160A-B, D3-160I-B, D3-160A-C, D3-160I-C, D3-190A-B, D3-190I-B, D3-190A-C, D3-190I-C

REF	PART NO.	QTY	DESCRIPTION	SEE SEC.	NOTES
1	877762	1	Fuel filter		(861143)
2	1147147	1	* Fuel filter insert		2 mikron
	861014	1	* Insert		10 mikron
	3581760	1	* Insert		30 mikron
3	838504	1	* Gasket		
4		1	* Lock		
5	838505	1	* O-ring		
6		1	* Handle		
7	3838861	1	* Gasket		
8	3838848	1	* Bowl		
9	950024	4	* Cross recessed screw		
10	954337	2	Nipple		
11	954323	2	Fitting nut		
12	1140062	2	Copper tube		
13	3825000	2	Hose nipple		
14	961664	2	Hose clamp		
15	861057	X	Fuel hose		3/8"
			* Bulletin P-23-4-4	P-23-4-4-EN	Fuel Hose P/N 861057
16	1140724	1	Level guard		
17	3588916	1	* Alarm kit		
18	881774	1	* Wiring harness		
19	808175	1	* Lamp socket		
20	19923	1	* Bulb		12V, 2W
	182059	1	* Bulb		24V, 3W
21	967583	1	* Retainer		
22	829714	1	* Sealing ring		
23	838455	1	* Retainer		
24	872591	1	* Symbol strip		
25		X	* cables and terminals	1963	

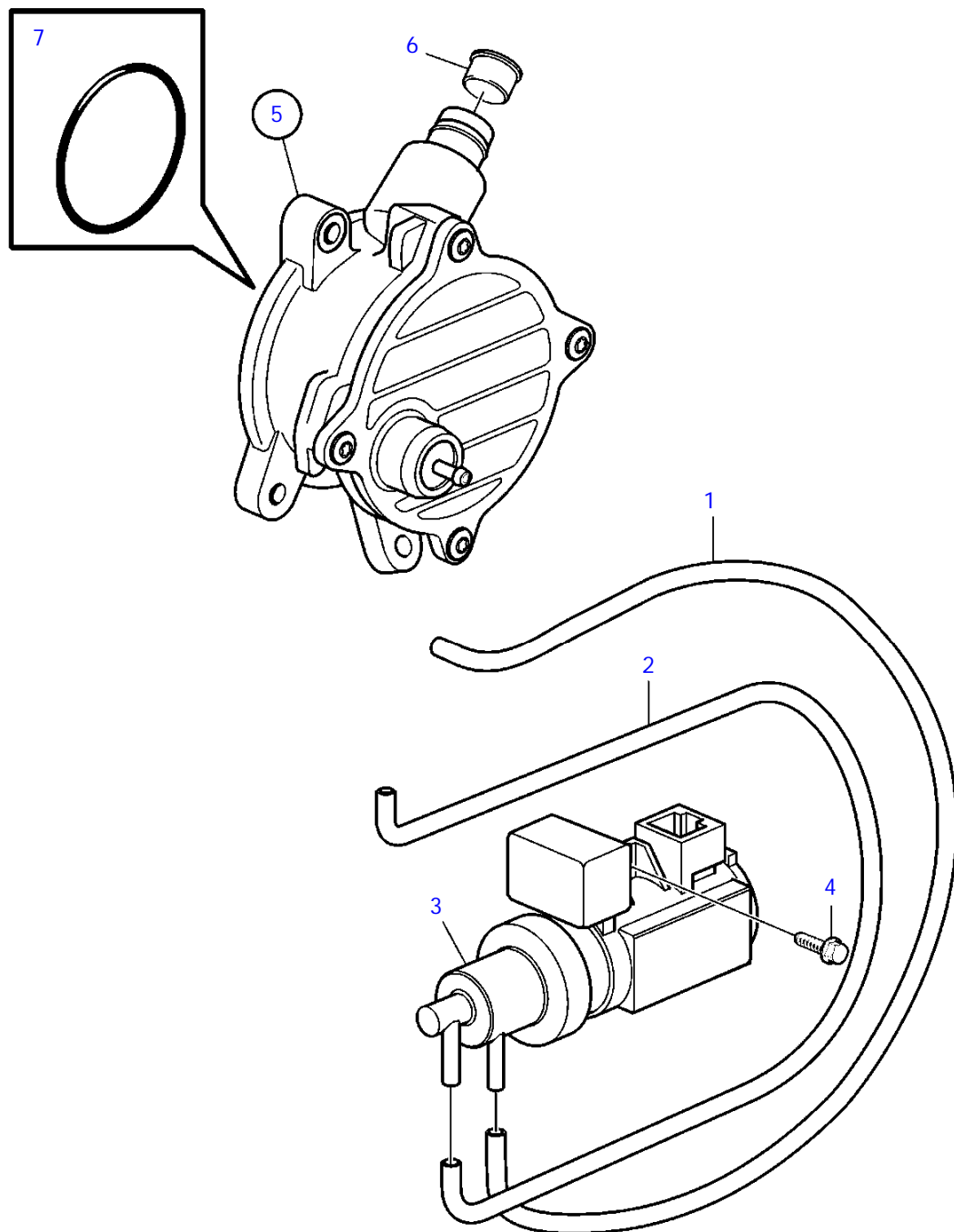
D3-110I-A, D3-110I-B, D3-110I-C, D3-130A-A, D3-130I-A, D3-130A-B, D3-130I-B, D3-130A-C, D3-130I-C, D3-160A-A, D3-160I-A, D3-160A-B, D3-160I-B, D3-160A-C, D3-160I-C, D3-190A-B, D3-190I-B, D3-190A-C, D3-190I-C



D3-110I-A, D3-110I-B, D3-110I-C, D3-130A-A, D3-130I-A, D3-130A-B, D3-130I-B, D3-130A-C, D3-130I-C, D3-160A-A, D3-160I-A, D3-160A-B, D3-160I-B, D3-160A-C, D3-160I-C, D3-190A-B, D3-190I-B, D3-190A-C, D3-190I-C

REF	PART NO.	QTY	DESCRIPTION	SEE SEC.	NOTES
1	877763	1	Fuel filter		
2	1147147	1	* Fuel filter insert		2 mikron
	861014	1	* Insert		10 mikron
	3581760	1	* Insert		30 mikron
3	838504	1	* Gasket		
4		1	* Lock		
5	838505	1	* O-ring		
6		1	* Handle		
7	3838861	1	* Gasket		
8	3838849	1	* Bowl		
9	950024	4	* Cross recessed screw		
10	952075	1	* Plug		
11	954337	2	Nipple		
12	954323	2	Fitting nut		
13	1140062	2	Copper tube		
14	3825000	2	Hose nipple		
15	961664	2	Hose clamp		
16	861057	X	Fuel hose		3/8"
			* Bulletin P-23-4-4	P-23-4-4-EN	Fuel Hose P/N 861057
17	1140724	1	Level guard		
18	3588916	1	* Alarm kit		
19	881774	1	* Wiring harness		
20	808175	1	* Lamp socket		
21	19923	1	* Bulb		12V, 2W
	182059	1	* Bulb		24V, 3W
22	967583	1	* Retainer		
23	829714	1	* Sealing ring		
24	838455	1	* Retainer		
25	872591	1	* Symbol strip		
26		X	* cables and terminals	1963	
27	21432601	1	Wiring harness		Alternative
28	21614395	1	Sensor		Alternative

D3-110I-A, D3-110I-B, D3-110I-C, D3-130A-A, D3-130I-A, D3-130A-B, D3-130I-B, D3-130A-C, D3-130I-C, D3-160A-A,  
D3-160I-A, D3-160A-B, D3-160I-B, D3-160A-C, D3-160I-C, D3-190A-B, D3-190I-B, D3-190A-C, D3-190I-C

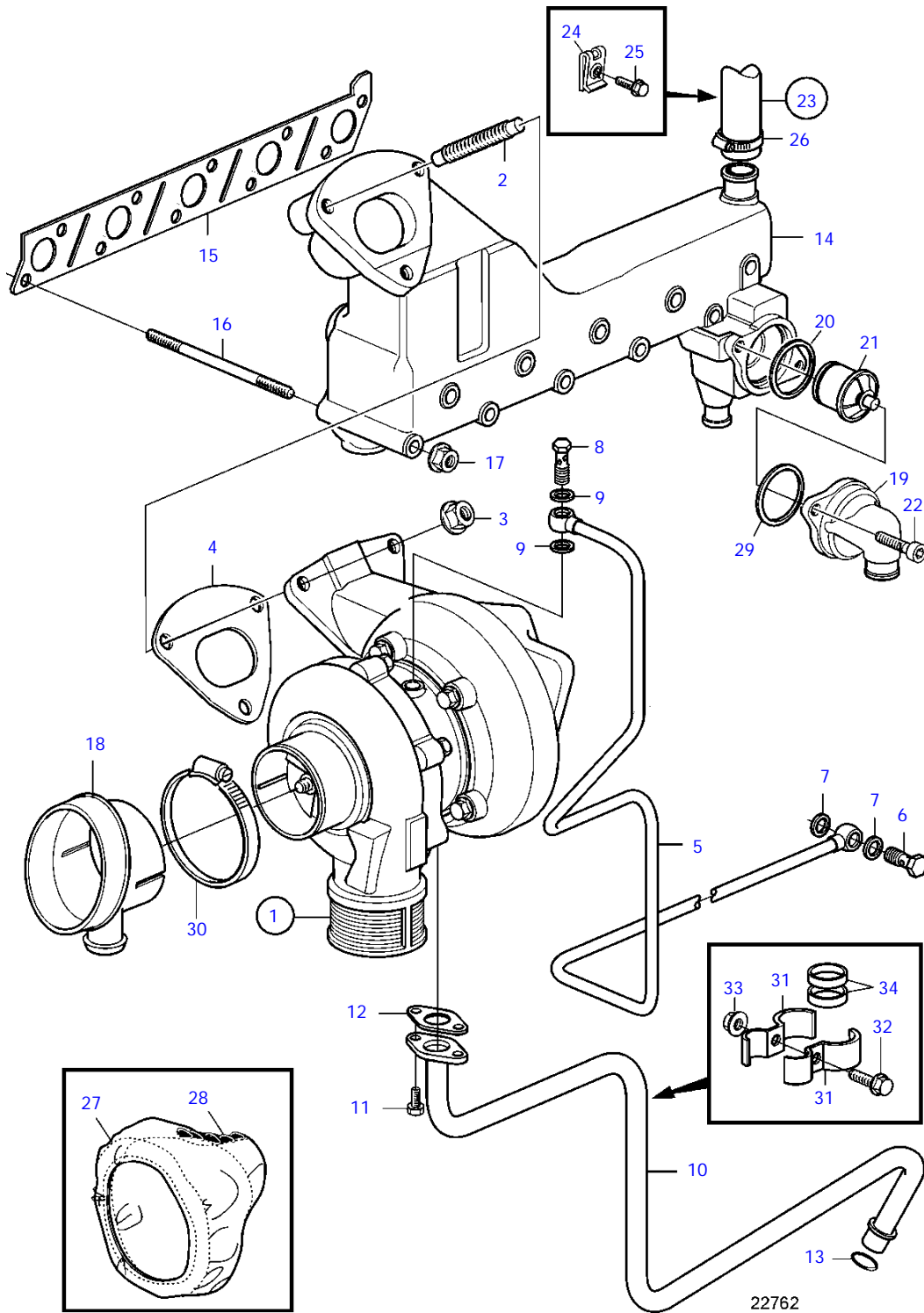


22742

D3-110I-A, D3-110I-B, D3-110I-C, D3-130A-A, D3-130I-A, D3-130A-B, D3-130I-B, D3-130A-C, D3-130I-C, D3-160A-A, D3-160I-A, D3-160A-B, D3-160I-B, D3-160A-C, D3-160I-C, D3-190A-B, D3-190I-B, D3-190A-C, D3-190I-C

REF	PART NO.	QTY	DESCRIPTION	NOTES
1	8699185	1	Hose, turbo	
2	3588247	1	Vacuum pipe, vacuum pump	
3	30637251	1	Governor	
4	946544	2	Flange screw	M6x16mm
5	3819406	1	Vacuum pump, kit	
	31219463	1	* Vacuum pump	
6	955083	1	* Cap plug	
7	8658101	1	O-ring	

D3-110I-A, D3-130A-A, D3-130I-A, D3-160A-A, D3-160I-A

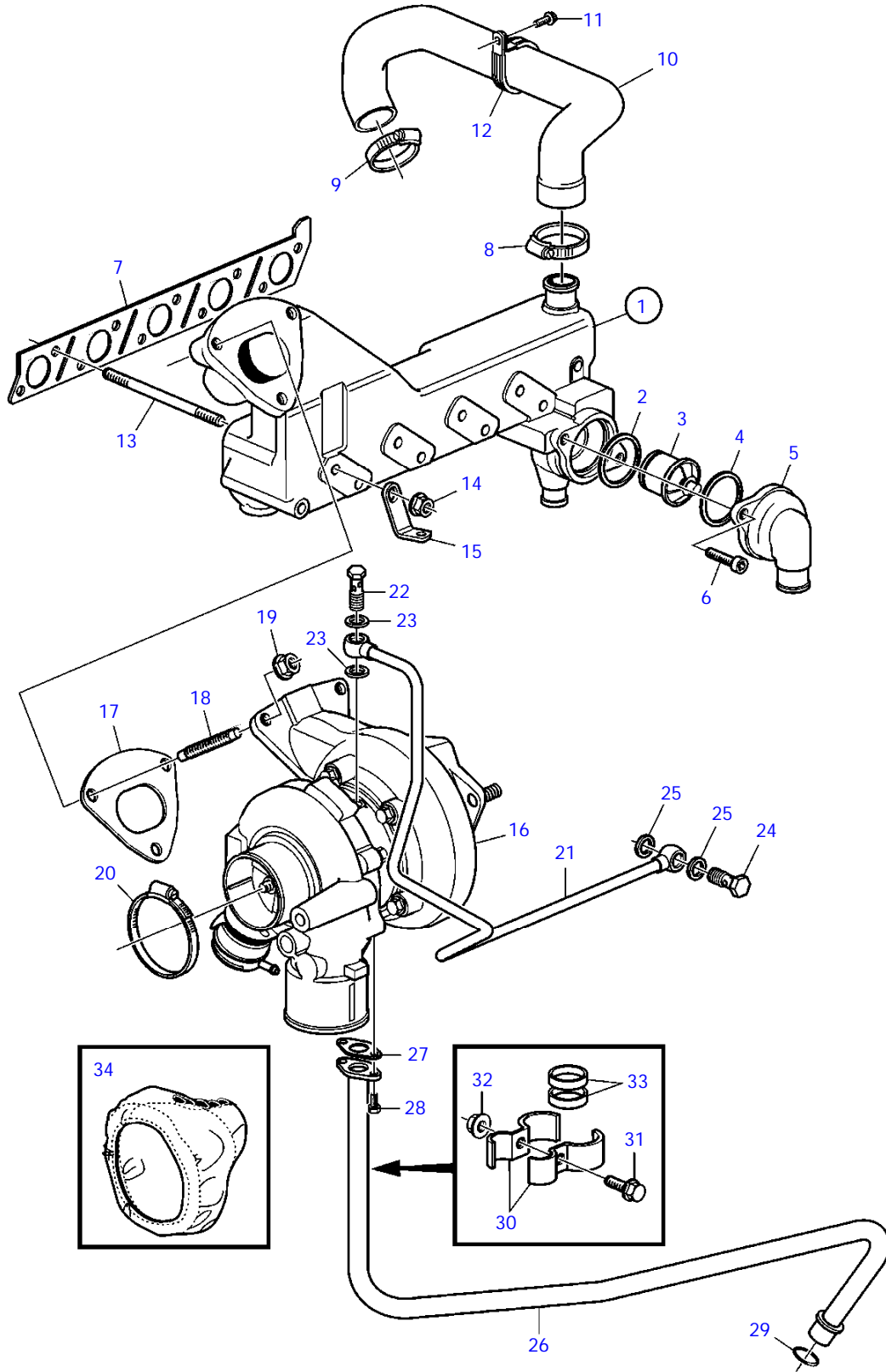


D3-110I-A, D3-130A-A, D3-130I-A, D3-160A-A, D3-160I-A

REF	PART NO.	QTY	DESCRIPTION	NOTES
1	3801270	1	Turbocharger	(3802145)
2	953045	2	Stud	
3	945408	3	Flange nut	
4	8631549	1	Gasket	
5	3584290	1	Oil pressure pipe	
6	25167	1	Hollow screw	
7	969011	2	Gasket	
8	980973	1	Hollow screw	
9	18665	2	Gasket	
10	3584289	1	Oil return pipe	
11	946544	2	Flange screw	
12	420641	1	Gasket	
13	30637866	1	Sealing ring	Replaced by 31251439
	31251439	1	Sealing ring	
14	3812601	1	Exhaust manifold	(3584294)
15	30729340	1	Gasket	(8631562)
16	968278	10	Stud	
17	945408	10	Flange nut	
18	3586801	1	Adapter	
19	3584473	1	Cardboard tube	
20	3584299	1	Gasket	
21	3840816	1	Thermostat	(3584474)
22	959223	2	Hex. socket screw	
23	888609	1	Hose	
24	191391	1	* Spring nut	
25	968476	1	* Flange screw	
26	943479	1	Hose clamp	
27	3883211	1	Heat shield	
28	941710	1	Locking wire	L=0.5m
29	3588888	1	O-ring	
30	943479	1	Hose clamp	
31	820851	2	Clamp	
32	946544	2	Flange screw	
33	945407	2	Flange nut	
34	30637866	2	Sealing ring	



D3-110I-B, D3-110I-C, D3-130A-B, D3-130I-B, D3-130A-C, D3-130I-C, D3-160A-B, D3-160I-B, D3-160A-C, D3-160I-C, D3-190A-B, D3-190I-B, D3-190A-C, D3-190I-C

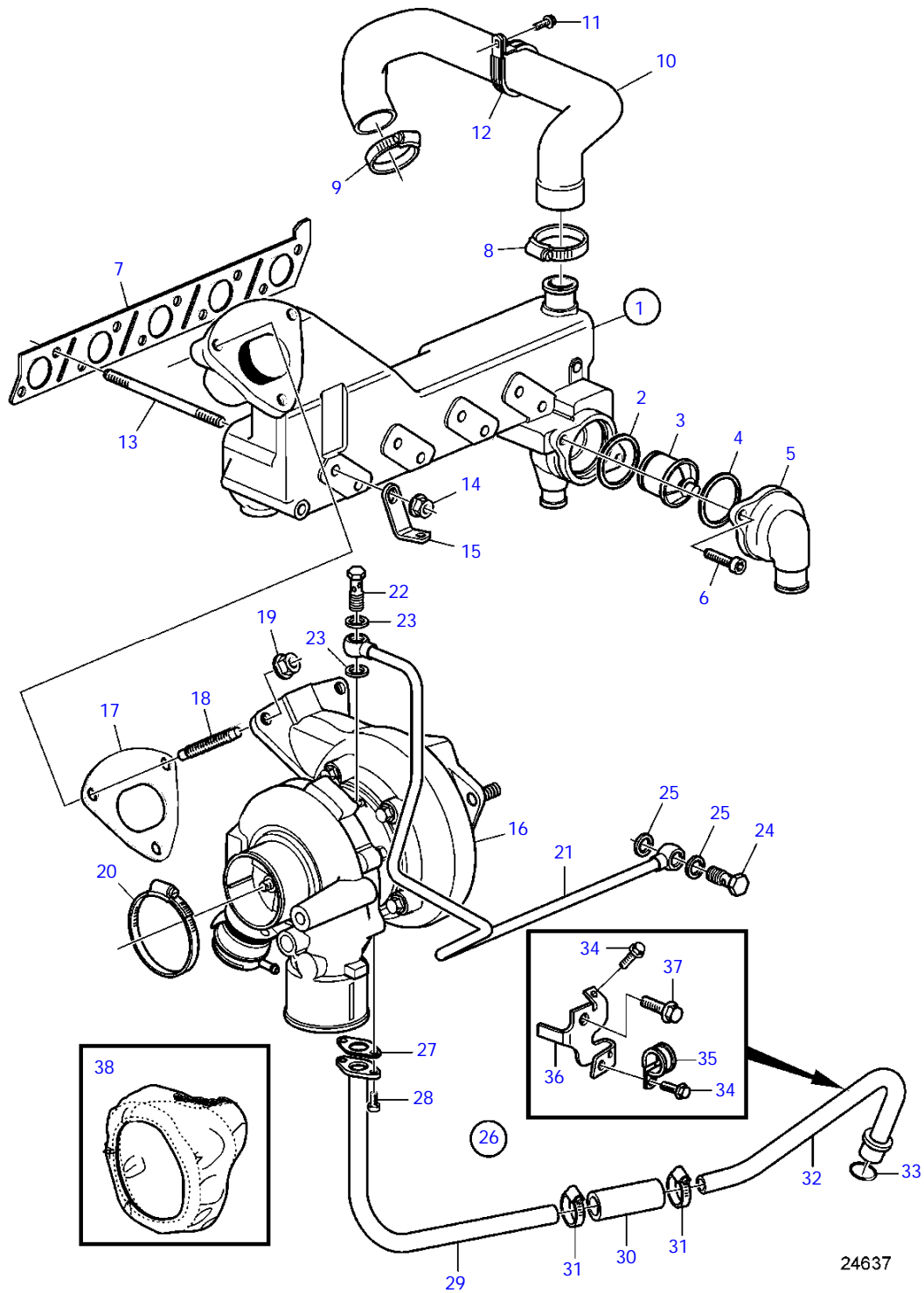


22788

D3-110I-B, D3-110I-C, D3-130A-B, D3-130I-B, D3-130A-C, D3-130I-C, D3-160A-B, D3-160I-B, D3-160A-C, D3-160I-C, D3-190A-B, D3-190I-B, D3-190A-C, D3-190I-C

REF	PART NO.	QTY	DESCRIPTION	NOTES
1	3812601	1	Exhaust manifold	
2	3584299	1	* Gasket	
3	3840816	1	* Thermostat	
4	3588888	1	* O-ring	
5	3584473	1	* Cardboard tube	
6	959223	2	* Hex. socket screw	
7	30729340	1	Gasket	
8	943478	1	Hose clamp	
9	943477	1	Hose clamp	
10	888609	1	Hose	
11	968476	1	Flange screw	
12	947457	1	Clamp	
13	968278	10	Stud	
14	945408	10	Flange nut	
15	3843670	1	Bracket	
16	3801270	1	Turbocharger	110-160hp, (3802145)
	3801271	1	Turbocharger	190hp, (3802167)
17	8631549	1	Gasket	
18	953045	2	Stud	
19	945408	3	Flange nut	
20	961672	1	Hose clamp	
21	3841559	1	Oil pressure pipe	
22	990807	1	Hollow screw	
23	18665	2	Gasket	
24	25167	1	Hollow screw	
25	969011	2	Gasket	
26	3593527	1	Pipe	Replaced by 21172243
27	3514546	1	Gasket	
28	946544	2	Flange screw	
29	30637866	1	Sealing ring	Replaced by 31251439
	31251439	1	Sealing ring	
30	820851	2	Clamp	
31	946544	2	Flange screw	
32	945407	2	Flange nut	
33	30637866	2	Sealing ring	
34	3883211	1	Heat shield	

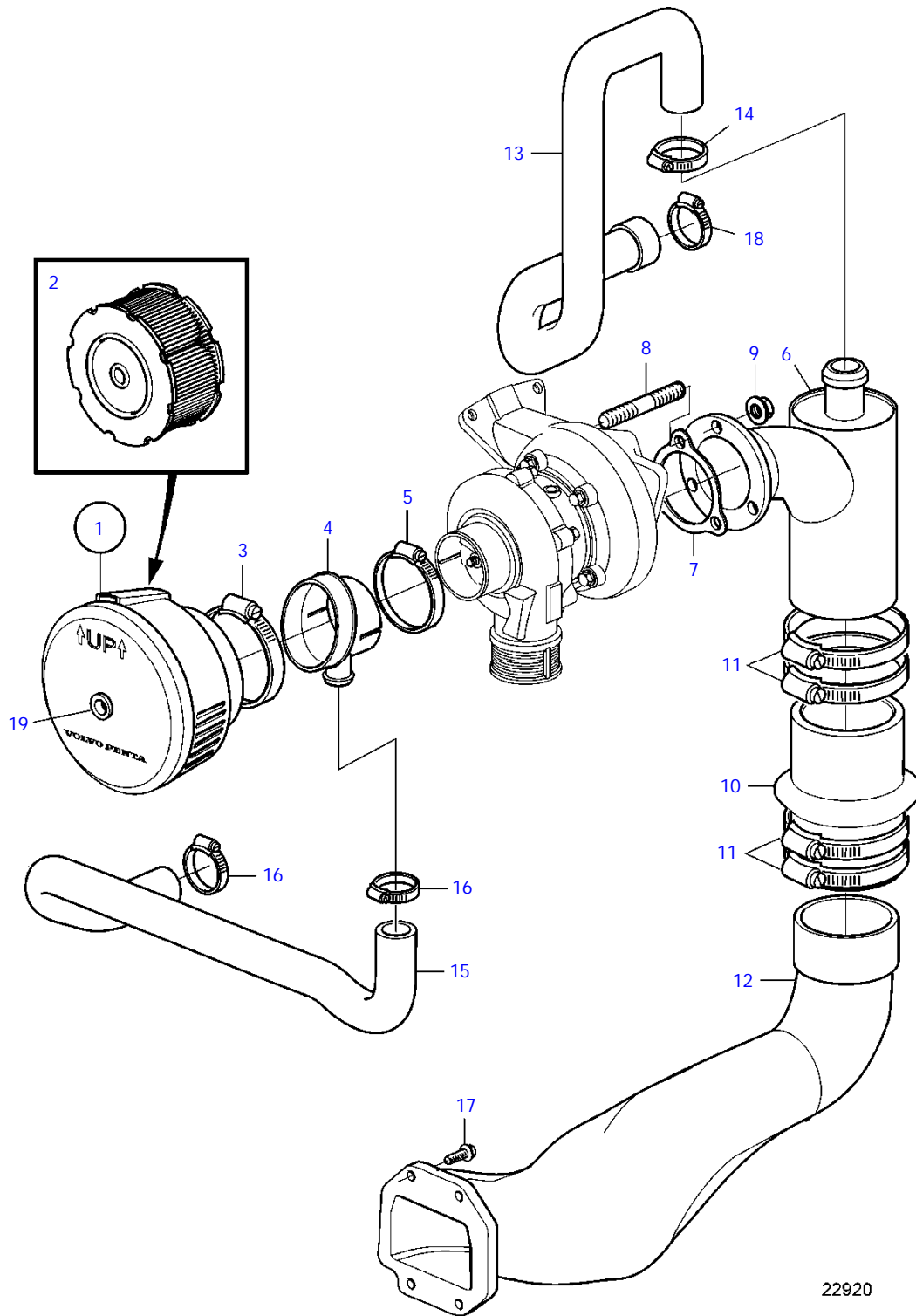
D3-110I-B, D3-110I-C, D3-130A-B, D3-130I-B, D3-130A-C, D3-130I-C, D3-160A-B, D3-160I-B, D3-160A-C, D3-160I-C, D3-190A-B, D3-190I-B, D3-190A-C, D3-190I-C



D3-110I-B, D3-110I-C, D3-130A-B, D3-130I-B, D3-130A-C, D3-130I-C, D3-160A-B, D3-160I-B, D3-160A-C, D3-160I-C, D3-190A-B, D3-190I-B, D3-190A-C, D3-190I-C

REF	PART NO.	QTY	DESCRIPTION	NOTES
1	3812601	1	Exhaust manifold	
2	3584299	1	* Gasket	
3	3840816	1	* Thermostat	
4	3588888	1	* O-ring	
5	3584473	1	* Cardboard tube	
6	959223	2	* Hex. socket screw	
7	30729340	1	Gasket	
8	943478	1	Hose clamp	
9	943477	1	Hose clamp	
10	888609	1	Hose	
11	968476	1	Flange screw	
12	947457	1	Clamp	
13	968278	10	Stud	
14	945408	10	Flange nut	
15	3843670	1	Bracket	
16	3801270	1	Turbocharger	110-160hp, (3802145)
	3801271	1	Turbocharger	190hp, (3802167)
17	8631549	1	Gasket	
18	953045	2	Stud	
19	945408	3	Flange nut	
20	961672	1	Hose clamp	
21	3841559	1	Oil pressure pipe	
22	990807	1	Hollow screw	
23	18665	2	Gasket	
24	25167	1	Hollow screw	
25	969011	2	Gasket	
26	21172243	1	Oil pipe, kit	
27	3514546	1	* Gasket	
28	946544	2	* Flange screw	
29	21171992	1	* Pipe	
30	3593534	1	* Hose	
31	943473	2	* Hose clamp	
32	3593533	1	* Pipe	
33	30637866	1	* Sealing ring	Replaced by 31251439
	31251439	1	Sealing ring	
34	946544	2	* Flange screw	
35	952629	1	* Clamp	
36	3593536	1	* Bracket	
37	946471	1	* Flange screw	
38	3883211	1	Heat shield	

D3-130A-A, D3-160A-A



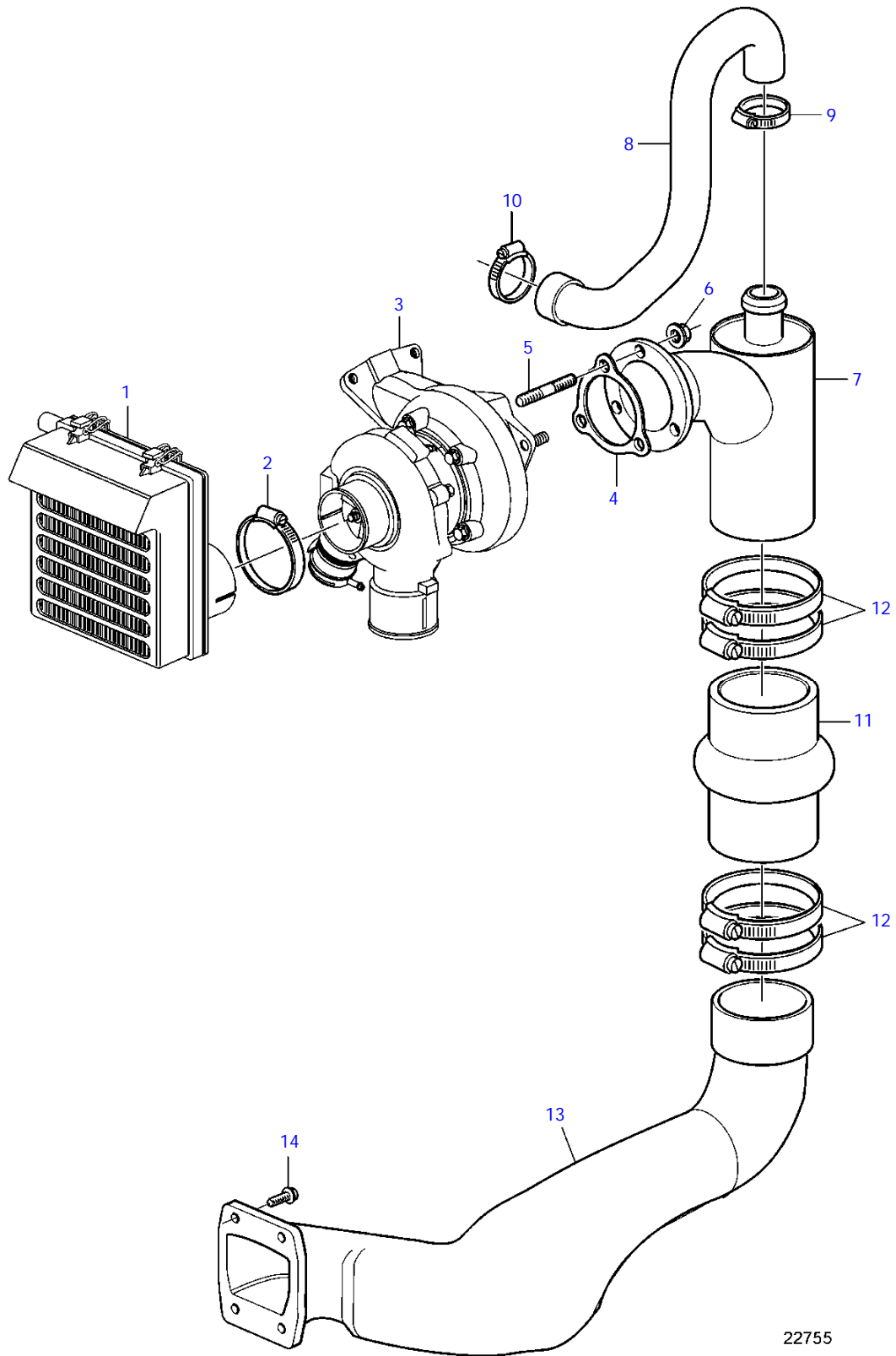
22920

D3-130A-A, D3-160A-A

REF	PART NO.	QTY	DESCRIPTION	SEE SEC.	NOTES
1	3582357	1	Air filter		
			• Bulletin 44-47	44-47-EN	New Air Filter for 31, 41 and TAM42WJ Engines
2	3582358	1	• Air filter insert		
			• Bulletin 44-47	44-47-EN	New Air Filter for 31, 41 and TAM42WJ Engines
3	943479	1	Hose clamp		
4	3586801	1	Adapler		
5	943479	2	Hose clamp		
6	3809984	1	Exhaust riser		
7	1275549	1	Gasket		
8	982449	3	Stud		
9	981152	3	Flange nut		
10	3863450	1	Bellows		(3852741)
11	853012	4	Hose clamp		
12	3587910	1	Exhaust pipe		
13	3584324	1	Hose		
14	943476	1	Hose clamp		
15	3586800	1	Hose, crankcase vent.		
16	943473	2	Hose clamp		
17	3841928	4	Flange screw		(3855472)
18	943477	1	Hose clamp		
19	940285	1	Plug		



D3-130A-B, D3-160A-B

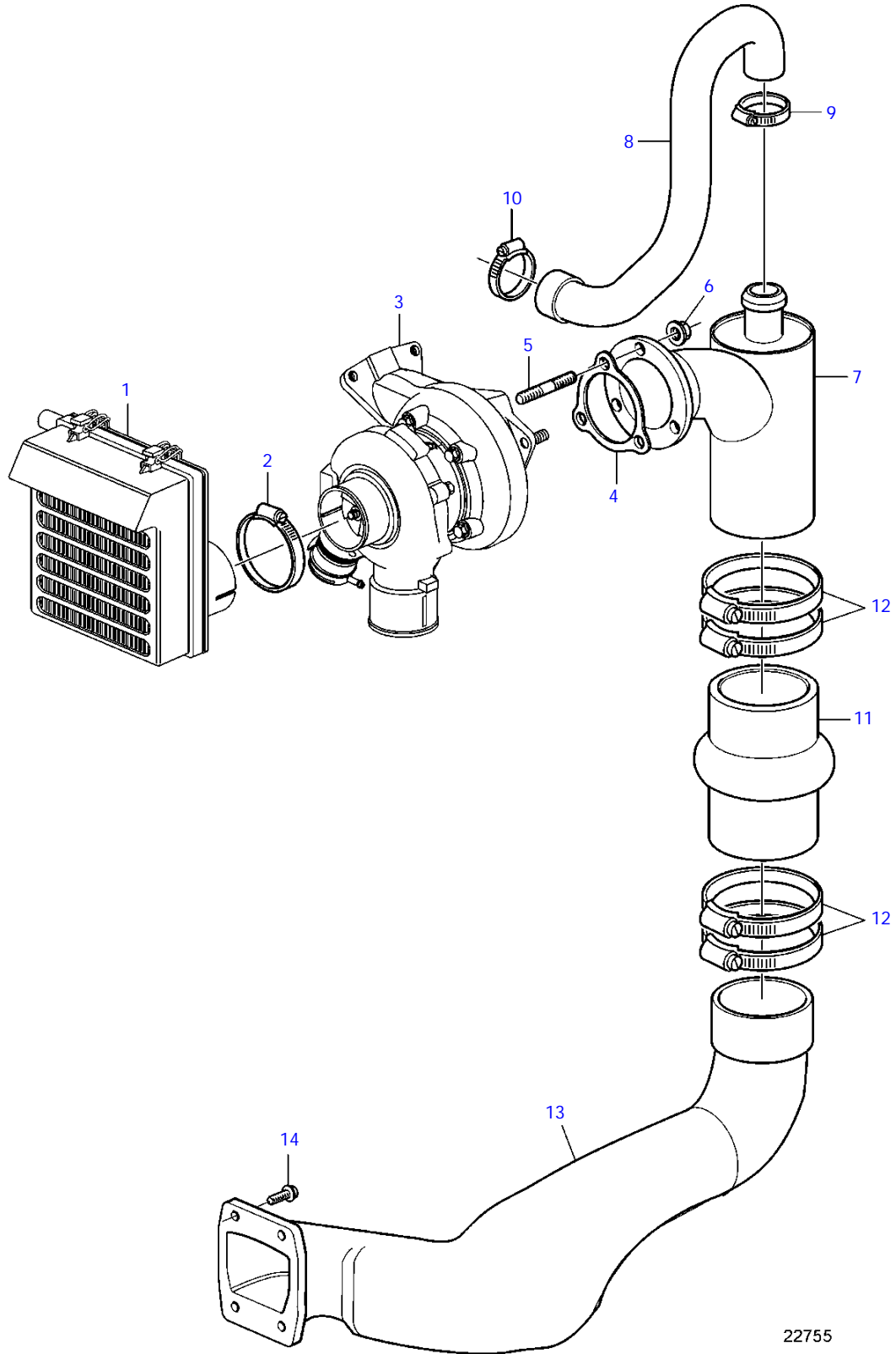


D3-130A-B, D3-160A-B

REF	PART NO.	QTY	DESCRIPTION	SEE SEC.	NOTES
1	21171248	1	Air filter	9370	
2	961672	1	Hose clamp		
3	3801270	1	Turbocharger		(3802145)
4	1275549	1	Gasket		
5	982449	2	Stud		
	991052	1	Stud		For bracket.
6	981152	3	Flange nut		
7	3809984	1	Exhaust riser		
8	3819741	1	Hose		
9	943476	1	Hose clamp		
10	943477	1	Hose clamp		
11	3863450	1	Bellows		
12	853012	4	Hose clamp		
13	3587910	1	Exhaust pipe		
14	3841928	4	Flange screw		(3855472)



D3-130A-C, D3-160A-C

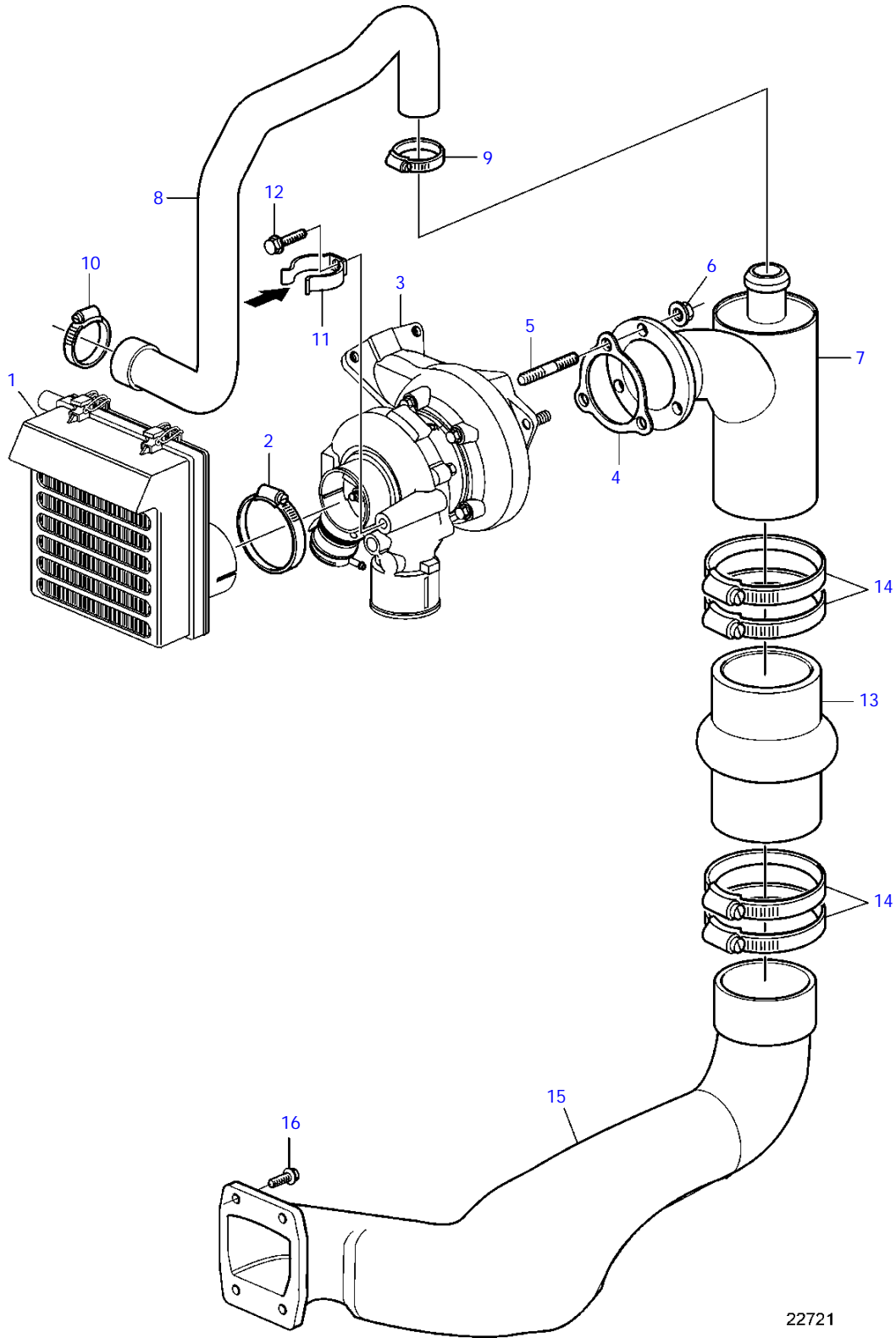


22755

D3-130A-C, D3-160A-C

REF	PART NO.	QTY	DESCRIPTION	SEE SEC.	NOTES
1	21171248	1	Air filter	9370	
2	961672	1	Hose clamp		
3	3801270	1	Turbocharger		(3802145)
4	1275549	1	Gasket		
5	982449	2	Stud		
	991052	1	Stud		For bracket.
6	981152	3	Flange nut		
7	3809984	1	Exhaust riser		
8	3819741	1	Hose		
9	943476	1	Hose clamp		
10	943477	1	Hose clamp		
11	3863450	1	Bellows		
12	853012	4	Hose clamp		
13	3885384	1	Exhaust pipe		
14	3841928	4	Flange screw		(3855472)

D3-190A-B

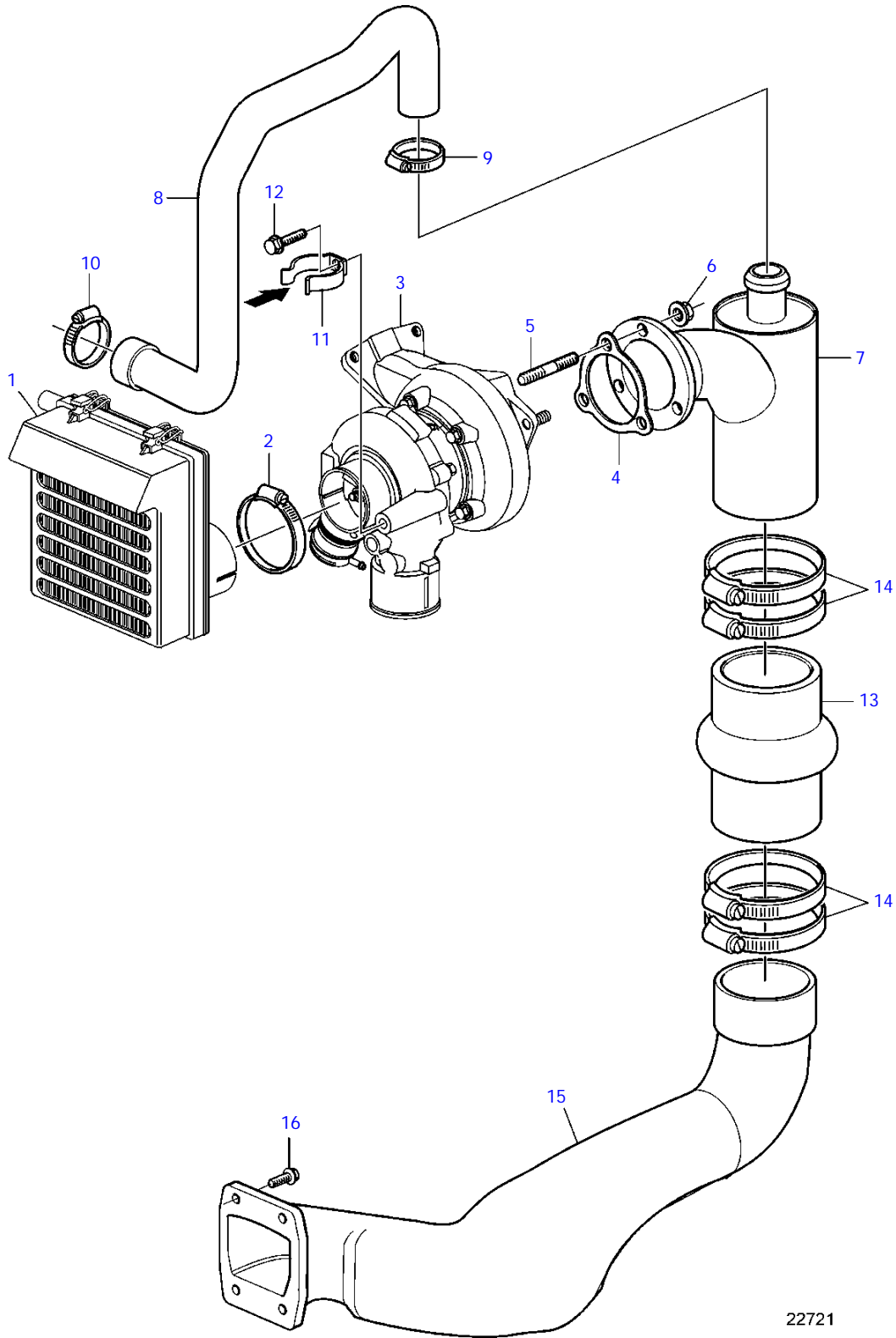


22721

D3-190A-B

REF	PART NO.	QTY	DESCRIPTION	SEE SEC.	NOTES
1	21171248	1	Air filter	9370	
2	961672	1	Hose clamp		
3	3801271	1	Turbocharger		
4	1275549	1	Gasket		
5	982449	2	Stud		
	991052	1	Stud		For bracket.
6	981152	3	Flange nut		
7	3809984	1	Exhaust riser		
8	3884397	1	Hose		
9	943476	1	Hose clamp		
10	943477	1	Hose clamp		
11	(3843835)	1	Clip		Obsolete part
12	941792	1	Hex. socket screw		
13	3863450	1	Bellows		
14	853012	4	Hose clamp		
15	3587910	1	Exhaust pipe		
16	3841928	4	Flange screw		(3855472)

D3-190A-C

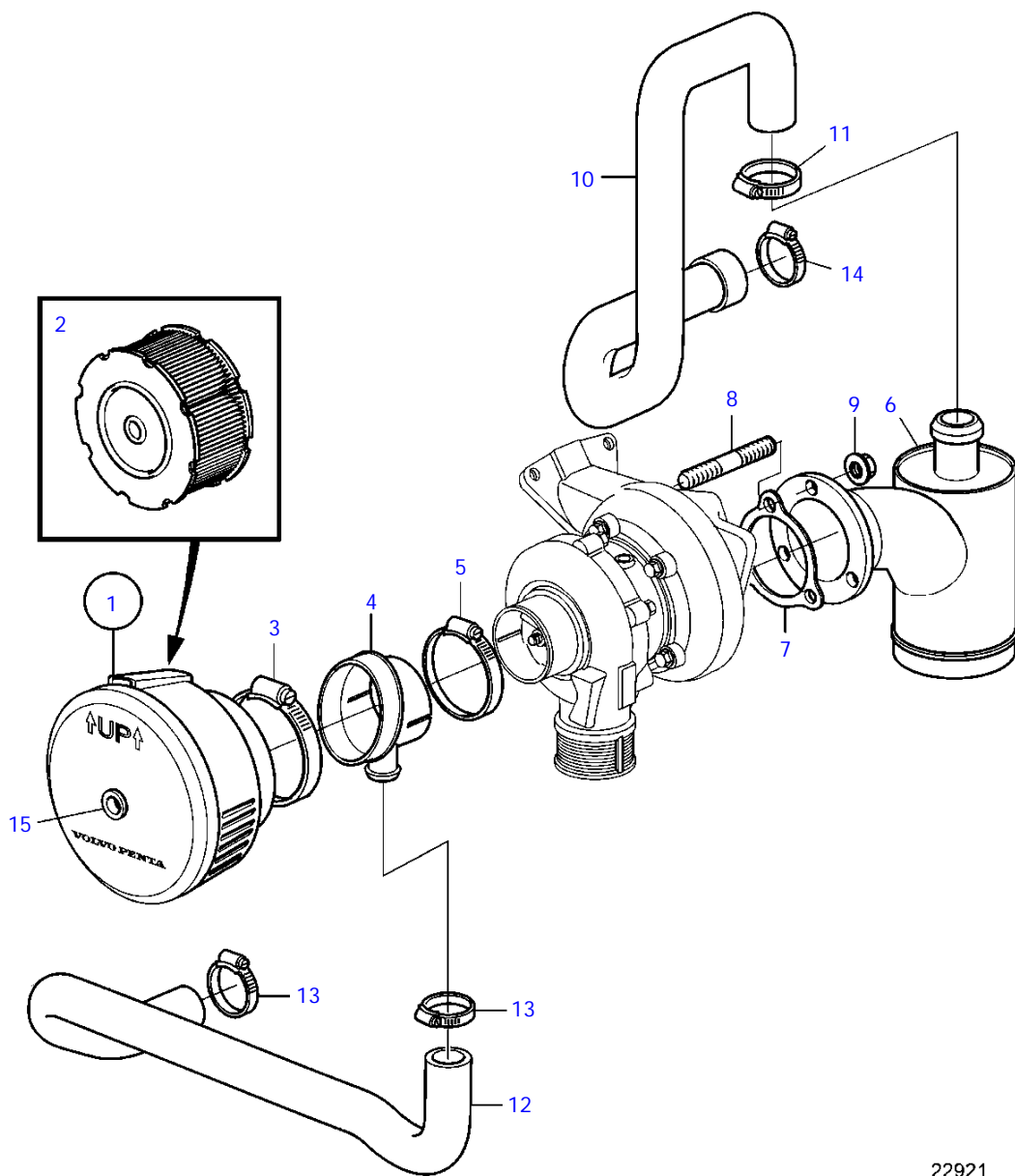


22721

D3-190A-C

REF	PART NO.	QTY	DESCRIPTION	SEE SEC.	NOTES
1	21171248	1	Air filter	9370	
2	961672	1	Hose clamp		
3	3801271	1	Turbocharger		
4	1275549	1	Gasket		
5	982449	2	Stud		
	991052	1	Stud		For bracket.
6	981152	3	Flange nut		
7	3809984	1	Exhaust riser		
8	3884397	1	Hose		
9	943476	1	Hose clamp		
10	943477	1	Hose clamp		
11	(3843835)	1	Clip		Obsolete part
12	941792	1	Hex. socket screw		
13	3863450	1	Bellows		
14	853012	4	Hose clamp		
15	3885384	1	Exhaust pipe		
16	3841928	4	Flange screw		(3855472)

D3-110I-A, D3-130I-A, D3-160I-A



22921

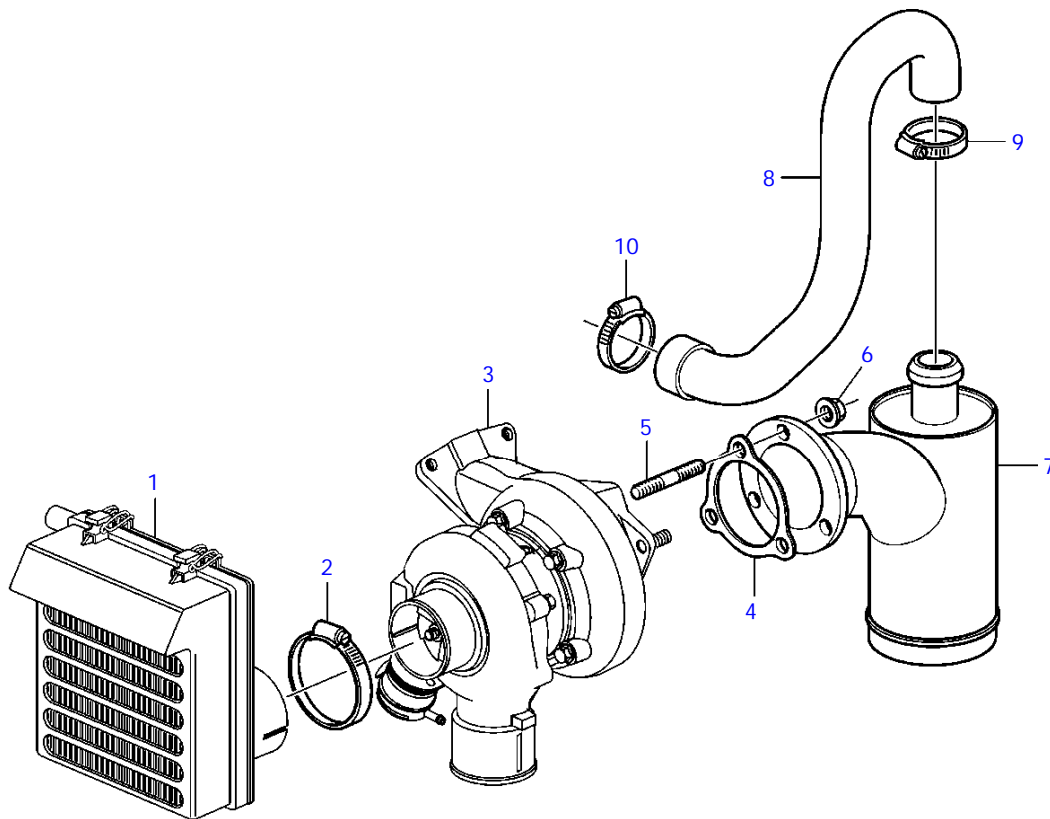
D3-110I-A, D3-130I-A, D3-160I-A

REF	PART NO.	QTY	DESCRIPTION	SEE SEC.	NOTES
1	3582357	1	Air filter		
			• Bulletin 44-47	44-47-EN	New Air Filter for 31, 41 and TAM42WJ Engines
2	3582358	1	Air filter insert		
			• Bulletin 44-47	44-47-EN	New Air Filter for 31, 41 and TAM42WJ Engines
3	943479	1	Hose clamp		
4	3586801	1	Adaptor		
5	943479	2	Hose clamp		
6	3807305	1	Exhaust riser		
7	1275549	1	Gasket		
8	982449	3	Stud		
9	981152	3	Flange nut		
10	3584324	1	Hose		
11	943476	1	Hose clamp		
12	3586800	1	Hose, crankcase vent.		
13	943473	2	Hose clamp		
14	943477	1	Hose clamp		
15	940285	1	Plug		





D3-110I-B, D3-110I-C, D3-130I-B, D3-130I-C, D3-160I-B, D3-160I-C

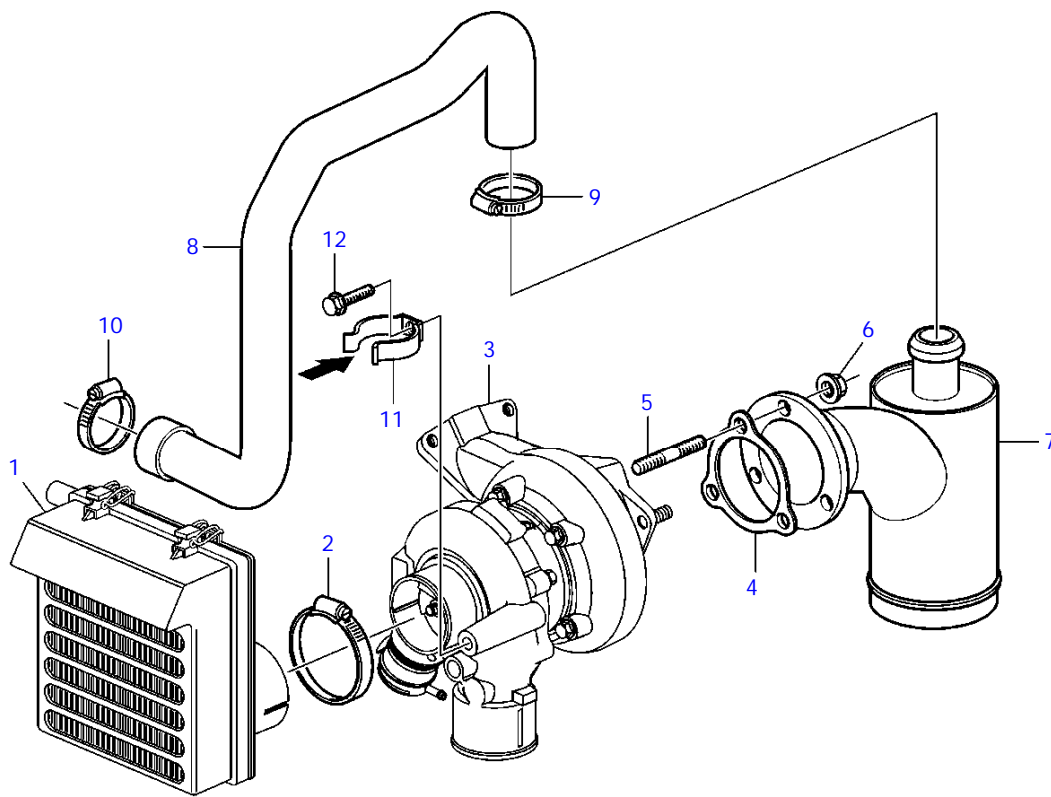


22754

D3-110I-B, D3-110I-C, D3-130I-B, D3-130I-C, D3-160I-B, D3-160I-C

REF	PART NO.	QTY	DESCRIPTION	SEE SEC.	NOTES
1	21171248	1	Air filter	9370	
2	961672	1	Hose clamp		
3	3801270	1	Turbocharger		(3802145)
4	1275549	1	Gasket		
5	982449	2	Stud		
	991052	1	Stud		For bracket.
6	981152	3	Flange nut		
7	3807305	1	Exhaust riser		
8	3819741	1	Hose		
9	943476	1	Hose clamp		
10	943477	1	Hose clamp		

D3-190I-B, D3-190I-C

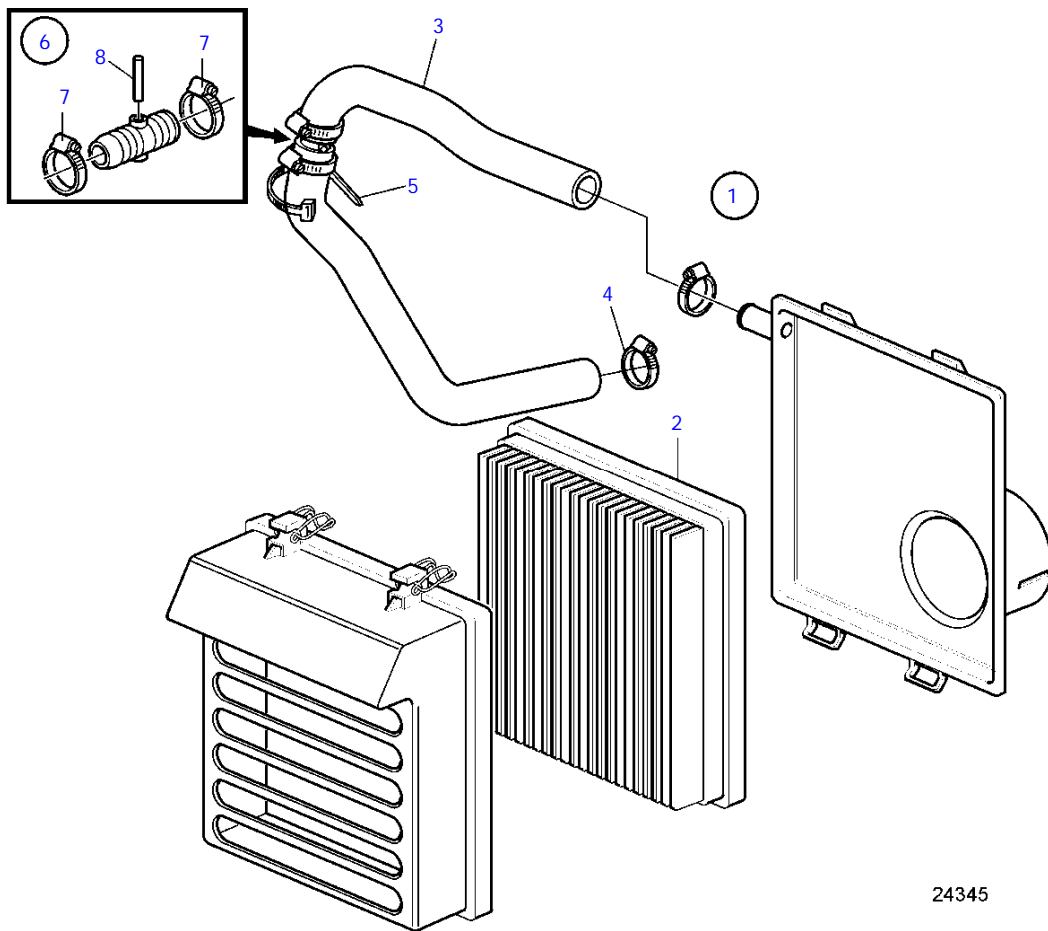


22720

D3-190I-B, D3-190I-C

REF	PART NO.	QTY	DESCRIPTION	SEE SEC.	NOTES
1	21171248	1	Air filter	9370	
2	961672	1	Hose clamp		
3	3801271	1	Turbocharger		
4	1275549	1	Gasket		
5	982449	2	Stud		
	991052	1	Stud		For bracket.
6	981152	3	Flange nut		
7	3807305	1	Exhaust riser		
8	3884397	1	Hose		
9	943476	1	Hose clamp		
10	943477	1	Hose clamp		
11	(3843835)	1	Clip		Obsolete part
12	941792	1	Hex. socket screw		

D3-110I-B, D3-110I-C, D3-130A-B, D3-130I-B, D3-130A-C, D3-130I-C, D3-160A-B, D3-160I-B, D3-160A-C, D3-160I-C, D3-190A-B, D3-190I-B, D3-190A-C, D3-190I-C



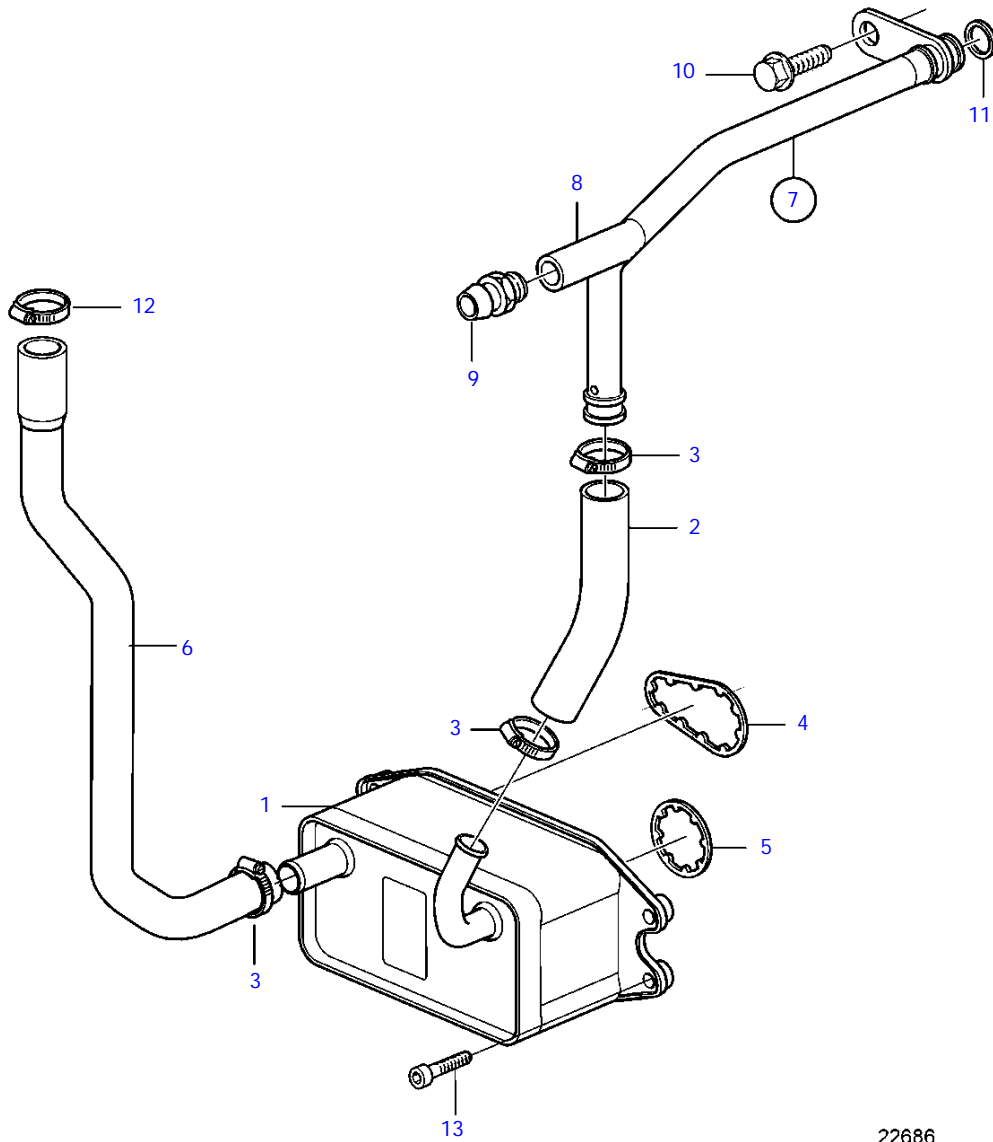
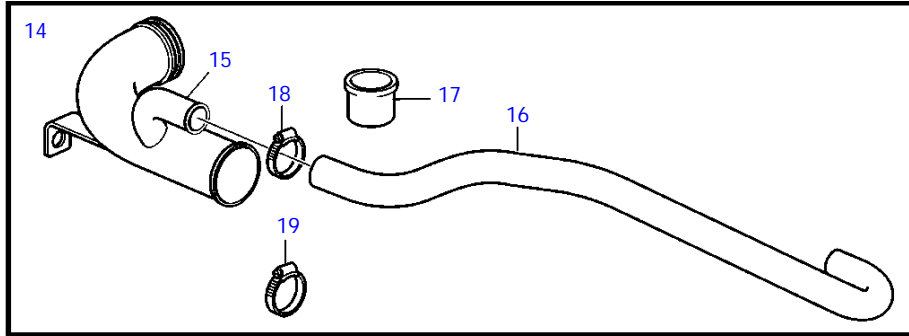
24345

D3-110I-B, D3-110I-C, D3-130A-B, D3-130I-B, D3-130A-C, D3-130I-C, D3-160A-B, D3-160I-B, D3-160A-C, D3-160I-C, D3-190A-B, D3-190I-B, D3-190A-C, D3-190I-C

REF	PART NO.	QTY	DESCRIPTION	NOTES
1	21171248	1	Air filter	
2	21171277	1	* Filter insert	
3	3817387	1	Hose	
4	943473	2	Hose clamp	
5	948211	1	Cable tie	
6	3889069	1	Check valve	SOLAS
7		2	* Hose clamp	SOLAS
8		1	* Pin	SOLAS



D3-110I-A, D3-130A-A, D3-130I-A, D3-160A-A, D3-160I-A



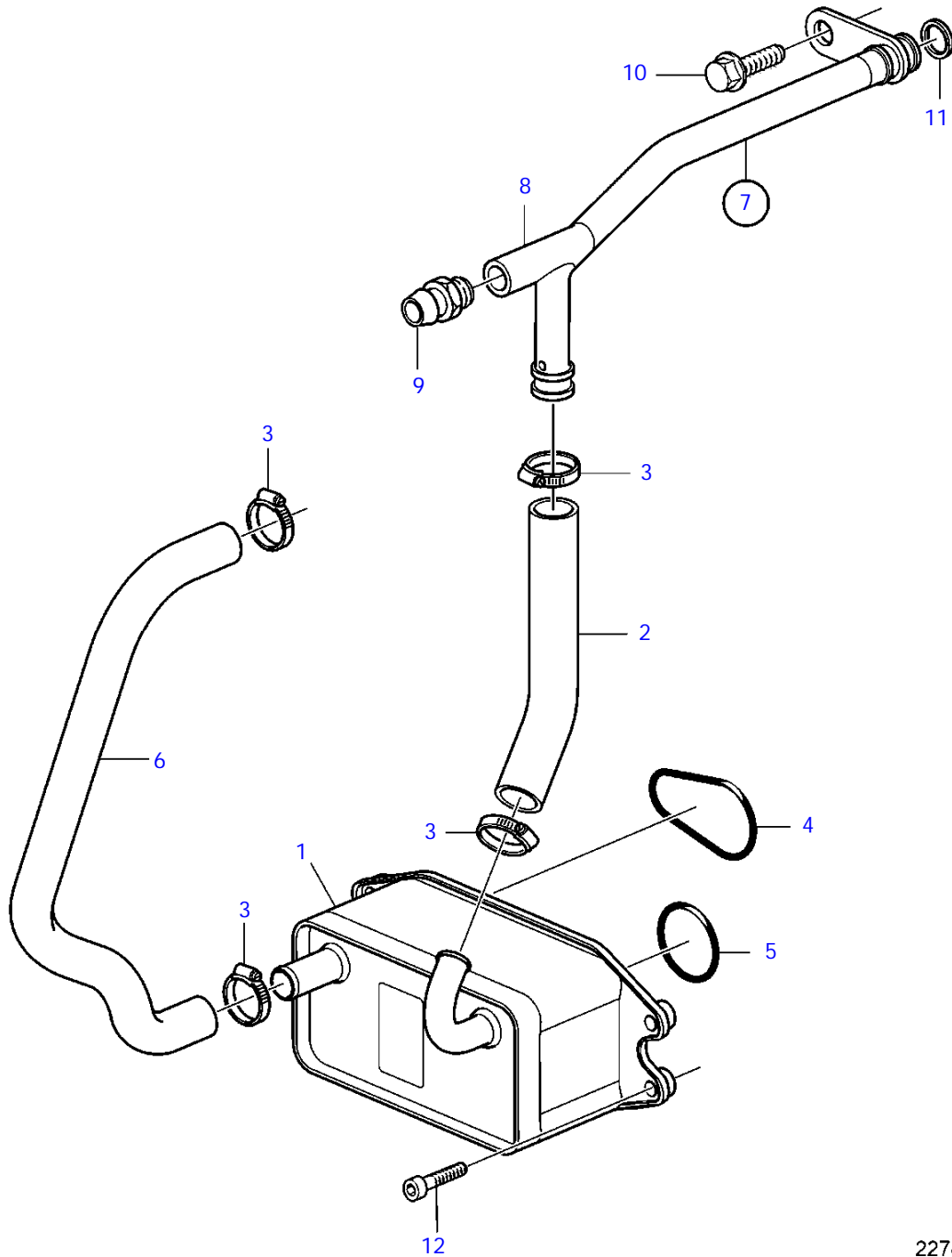
22686

D3-110I-A, D3-130A-A, D3-130I-A, D3-160A-A, D3-160I-A

REF	PART NO.	QTY	DESCRIPTION	NOTES
1	8677973	1	Oil cooler	Replaced by kit 3888133.
2	3808566	1	Hose	(31104688)
3	943472	3	Hose clamp	
4	30637199	1	Sealing ring	
5	30637339	1	Sealing	(9463173)
6	3584291	1	Hose	Superseded by kit 3817479. See fig No 14.
7	8636658	1	Pipe	
8	31104740	1	* Nipple	
9	947893	1	* Shut-off cock	
10	945444	1	Flange screw	
11	982292	1	O-ring	
12	943473	1	Hose clamp	
13	986318	4	6 point socket screw	
14	3817479	1	Coolant pipe	
15	3817368	1	* Pipe	
16	3812465	1	* Hose	
17	845422	1	* Plastic plug	
18	943472	1	* Hose clamp	
19	943473	1	* Hose clamp	



D3-110I-B, D3-130A-B, D3-130I-B, D3-160A-B, D3-160I-B, D3-190A-B, D3-190I-B

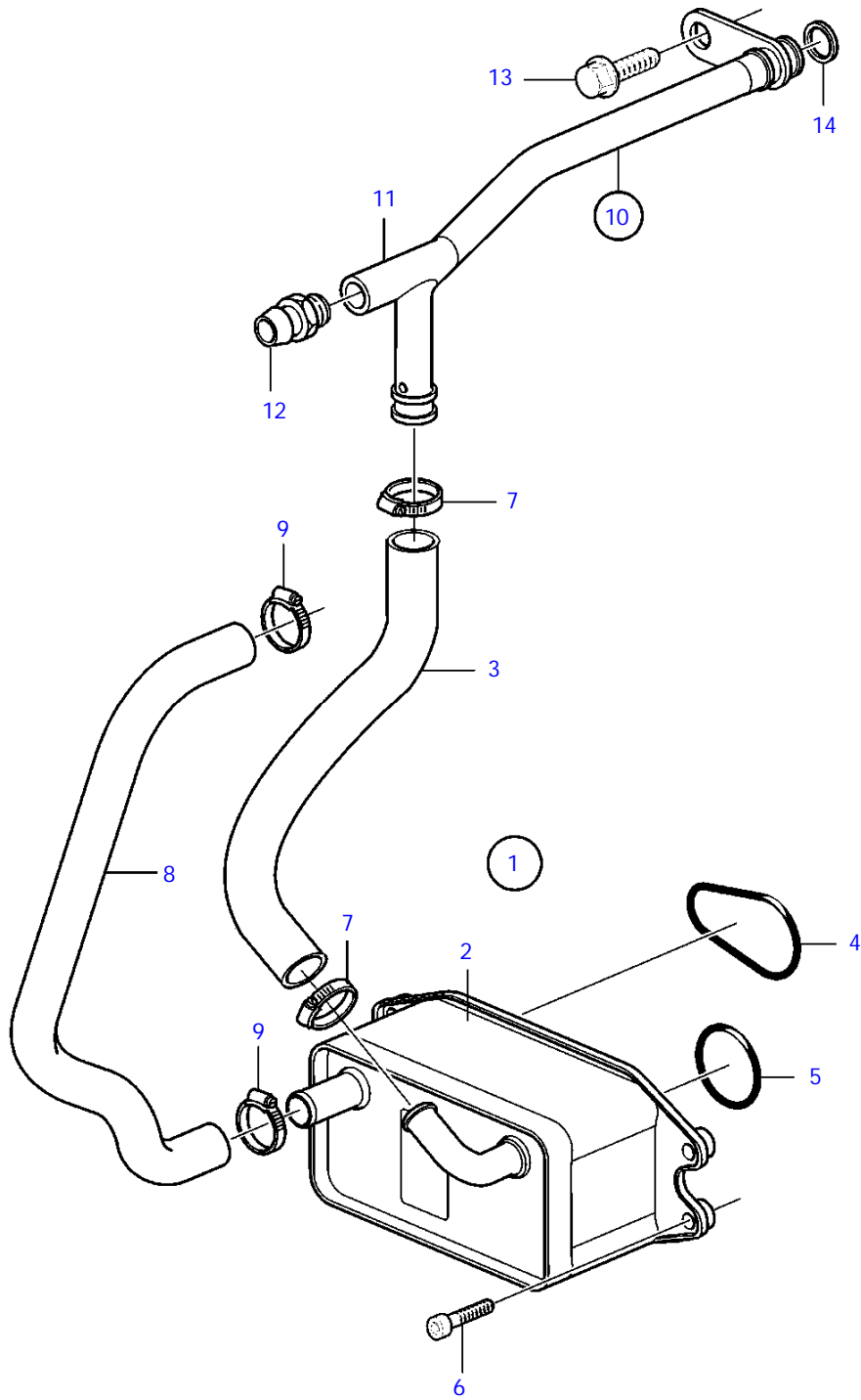


22741

D3-110I-B, D3-130A-B, D3-130I-B, D3-160A-B, D3-160I-B, D3-190A-B, D3-190I-B

REF	PART NO.	QTY	DESCRIPTION	NOTES
1	30713603	1	Oil cooler	Replaced by kit 3888133.
2	3808566	1	Hose	
3	943472	4	Hose clamp	
4	30637199	1	Sealing ring	
5	30637339	1	Sealing	
6	3812465	1	Hose	
7	8636658	1	Pipe	
8	31104740	1	* Nipple	
9	947893	1	* Shut-off cock	
10	945444	1	Flange screw	
11	982292	1	O-ring	
12	986318	4	6 point socket screw	

D3-110I-C, D3-130A-C, D3-130I-C, D3-160A-C, D3-160I-C, D3-190A-C, D3-190I-C

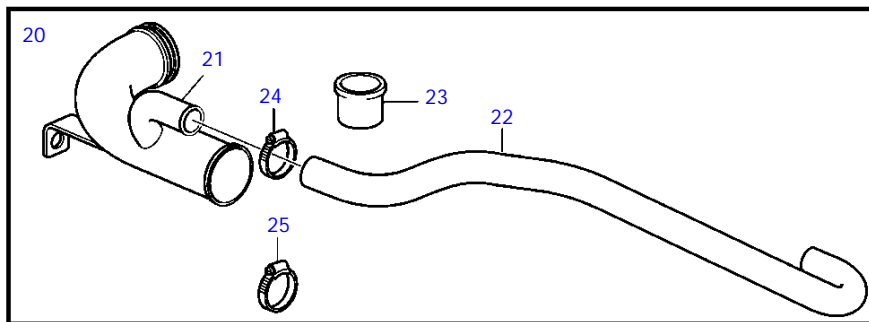
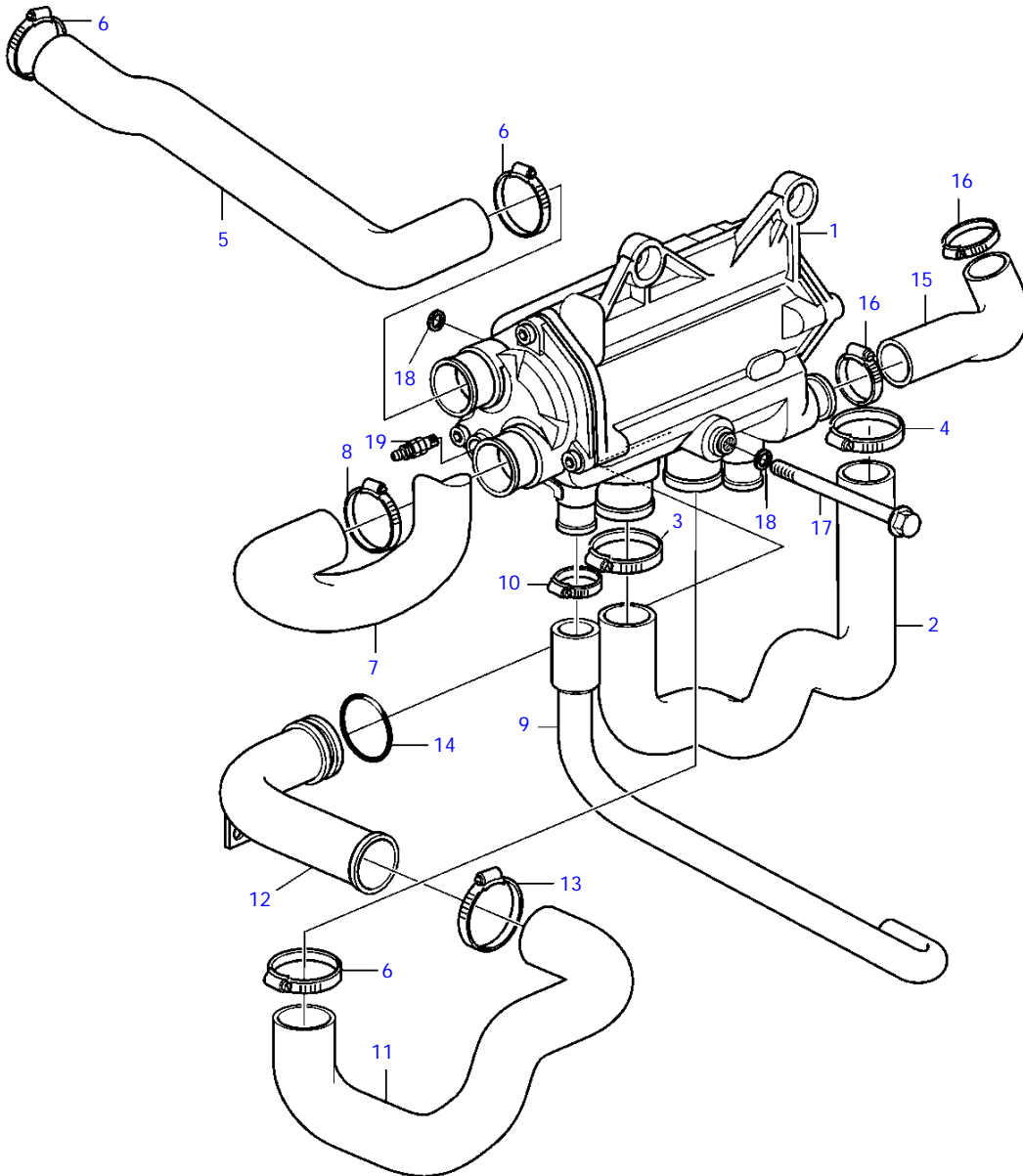


23607

D3-110I-C, D3-130A-C, D3-130I-C, D3-160A-C, D3-160I-C, D3-190A-C, D3-190I-C

REF	PART NO.	QTY	DESCRIPTION	NOTES
1	3888133	1	Oil cooler kit	
2	31201911	1	* Oil cooler	(30751937)
3	3888067	1	* Hose, inlet	
4	30637339	1	* Sealing	
5	30637199	1	* Sealing ring	
6	986318	4	* 6 point socket screw	
7	943472	2	Hose clamp	
8	3812465	1	Hose	
9	943472	2	Hose clamp	
10	8636658	1	Pipe, inlet	
11	31104740	1	* Nipple	
12	947893	1	* Shut-off cock	
13	945444	1	Flange screw	
14	982292	1	O-ring	

D3-110I-A, D3-130A-A, D3-160A-A, D3-160I-A

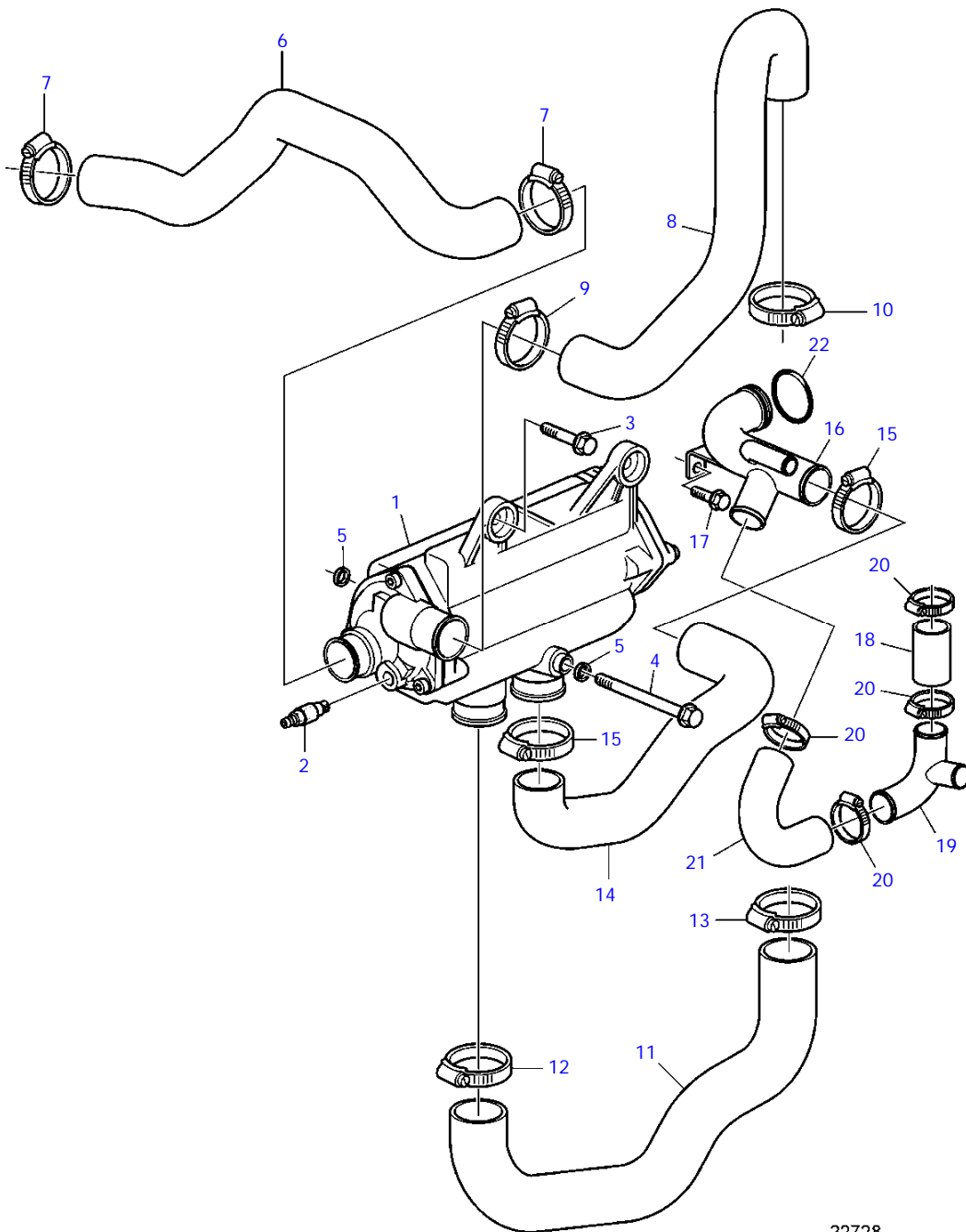


22684

D3-110I-A, D3-130A-A, D3-160A-A, D3-160I-A

REF	PART NO.	QTY	DESCRIPTION	SEE SEC.	NOTES
1	3586805	1	Heat exchanger		
			*		
			*	6823	
2	3584322	1	Hose, therm. housing		
3	943477	1	Hose clamp		
4	943478	1	Hose clamp		
5	3584323	1	Hose		Heat exchanger-after cooler.
6	943477	3	Hose clamp		
7	3584324	1	Hose		Heat exchanger-exhaust riser.
8	943479	1	Hose clamp		
9	3584291	1	Hose		Heat exchanger-oil cooler., Superseded by kit 3817479. See fig No 20.
10	943473	1	Hose clamp		
11	3587150	1	Hose, circulation pump		
12	3587250	1	Pipe connection, circulation pump		Superseded by kit 3817479. See fig No 20.
13	943476	1	Hose clamp		
14	976045	1	O-ring		
15	3584330	1	Hose, therm. housing		
16	993962	2	Hose clamp		
17	968892	1	Flange screw		
18	976944	2	Washer		
19	949918	1	Shut-off cock		
20	3817479	1	Coolant pipe, kit		
21	3817368	1	* Pipe		
22	3812465	1	* Hose		
23	845422	1	* Plastic plug		
24	943472	1	* Hose clamp		
25	943473	1	* Hose clamp		

D3-110I-B, D3-110I-C, D3-130A-B, D3-130I-B, D3-130A-C, D3-130I-C, D3-160A-B, D3-160I-B, D3-160A-C, D3-160I-C



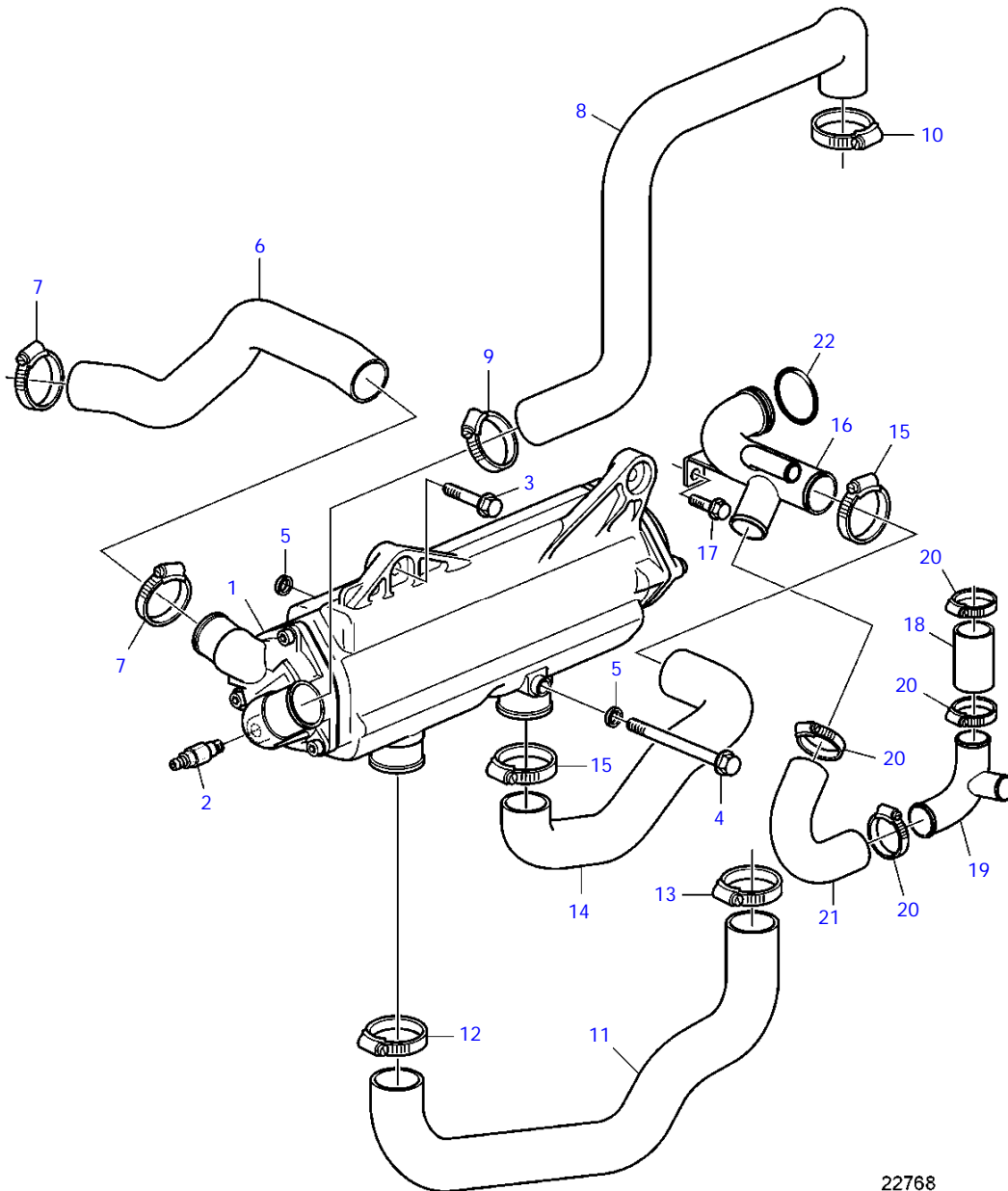
22728

D3-110I-B, D3-110I-C, D3-130A-B, D3-130I-B, D3-130A-C, D3-130I-C, D3-160A-B, D3-160I-B, D3-160A-C, D3-160I-C

REF	PART NO.	QTY	DESCRIPTION	SEE SEC.	NOTES
1	3840056	1	Heat exchanger		
			*	9371	
2	949918	1	Shut-off cock		
3	968476	1	Flange screw		
4	968892	1	Flange screw		
5	976944	2	Washer		
6	3819737	1	Hose		Heat exchanger-after cooler.
7	993964	2	Hose clamp		
8	3819741	1	Hose		Heat exchanger-exhaust riser.
9	993963	1	Hose clamp		
10	993964	1	Hose clamp		
11	3584322	1	Hose		Thermostat housing-heat exchanger.
12	993964	1	Hose clamp		
13	943478	1	Hose clamp		
14	3587150	1	Hose		
15	993961	2	Hose clamp		
16	3819107	1	Pipe		
17		1	Flange screw		
18	3819122	1	Hose		
19	3819117	1	Riser		
20	993962	4	Hose clamp		
21	3819127	1	Hose		
22	976045	1	O-ring		



D3-190A-B, D3-190I-B, D3-190A-C, D3-190I-C

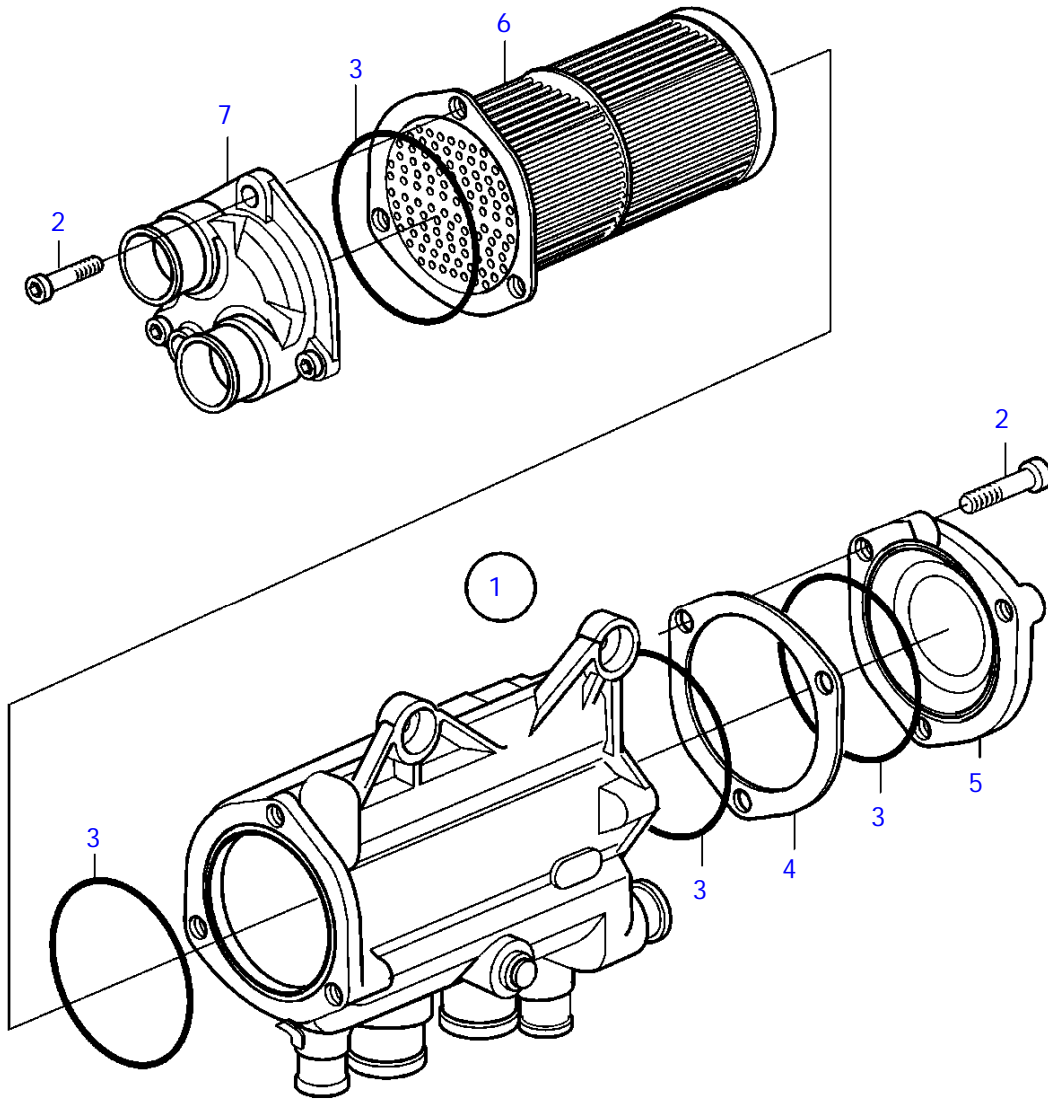


22768

D3-190A-B, D3-190I-B, D3-190A-C, D3-190I-C

REF	PART NO.	QTY	DESCRIPTION	SEE SEC.	NOTES
1	3884167	1	Heat exchanger		
			*		
			*	9372	
2	949918	1	Shut-off cock		
3		1	Flange screw		
4	968892	1	Flange screw		
5	976944	1	Washer		
6	3817384	1	Hose		Heat exchanger-after cooler.
7	943477	2	Hose clamp		
8	3884397	1	Hose		Heat exchanger-exhaust riser.
9	943476	1	Hose clamp		
10	943477	1	Hose clamp		
11	3819933	1	Hose		Thermostat housing-heat exchanger.
12	943477	1	Hose clamp		
13	943478	1	Hose clamp		
14	3587150	1	Hose		
15	993961	2	Hose clamp		
16	3819107	1	Pipe		
17		1	Flange screw		
18	3819122	1	Hose		
19	3819117	1	Riser		
20	993962	4	Hose clamp		
21	3819127	1	Hose		
22	976045	1	O-ring		

D3-110I-A, D3-130A-A, D3-130I-A, D3-160A-A, D3-160I-A

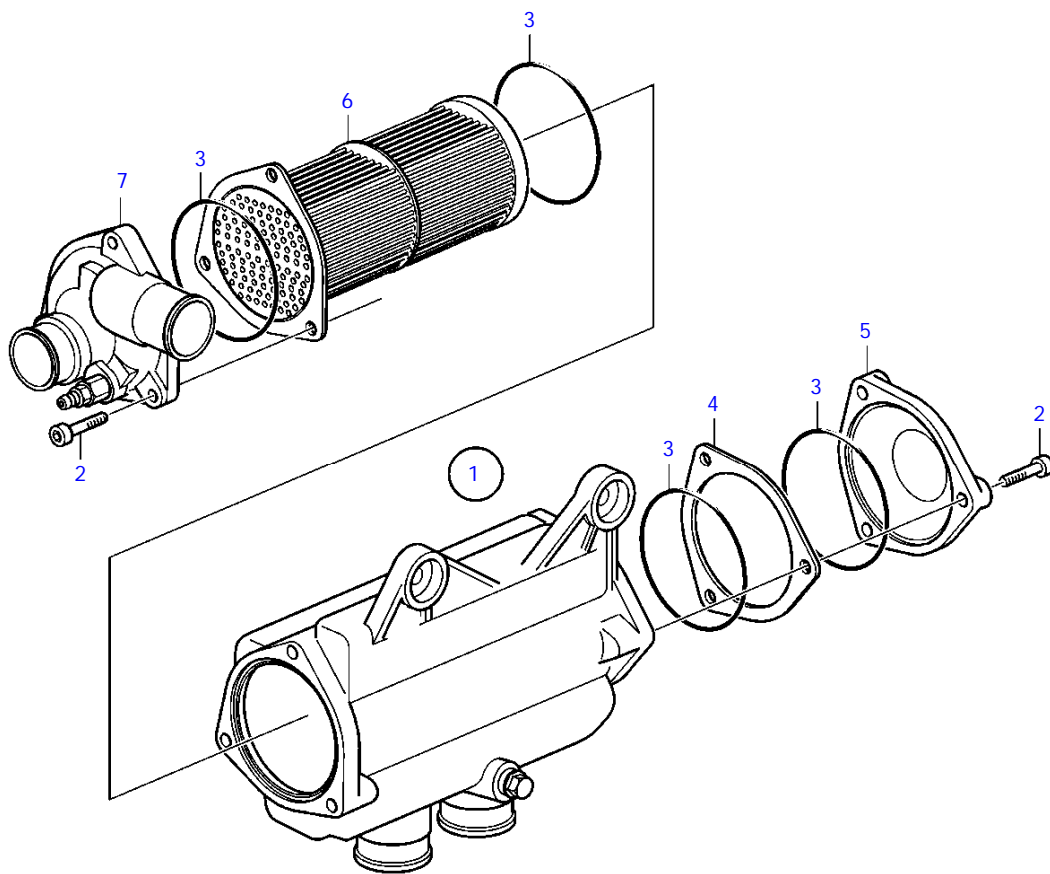


20084

D3-110I-A, D3-130A-A, D3-130I-A, D3-160A-A, D3-160I-A

REF	PART NO.	QTY	DESCRIPTION
1	3586805	1	Heat exchanger
2	3838337	6	* Screw
3	3581070	4	* O-ring
4	3580870	1	* Washer
5	888627	1	* Heater
6	3588906	1	* Insert
7	3588907	1	* End cover

D3-110I-B, D3-110I-C, D3-130A-B, D3-130I-B, D3-130A-C, D3-130I-C, D3-160A-B, D3-160I-B, D3-160A-C, D3-160I-C

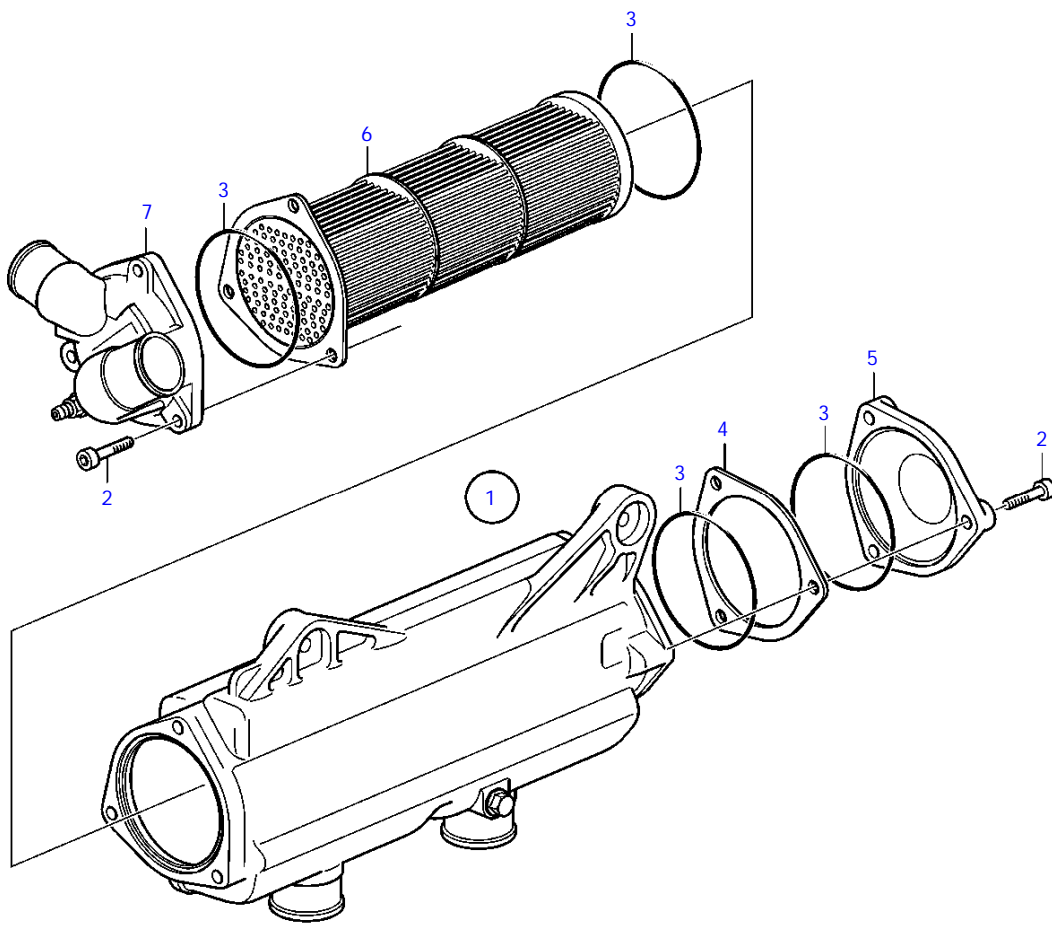


22752

D3-110I-B, D3-110I-C, D3-130A-B, D3-130I-B, D3-130A-C, D3-130I-C, D3-160A-B, D3-160I-B, D3-160A-C, D3-160I-C

REF	PART NO.	QTY	DESCRIPTION
1	3840056	1	Heat exchanger
2	959224	6	* Hex. socket screw
3	3581070	4	* O-ring
4	3580870	1	* Washer
5	888627	1	* Heater
6	3588906	1	* Insert
7	3840924	1	* End cover

D3-190A-B, D3-190I-B, D3-190A-C, D3-190I-C



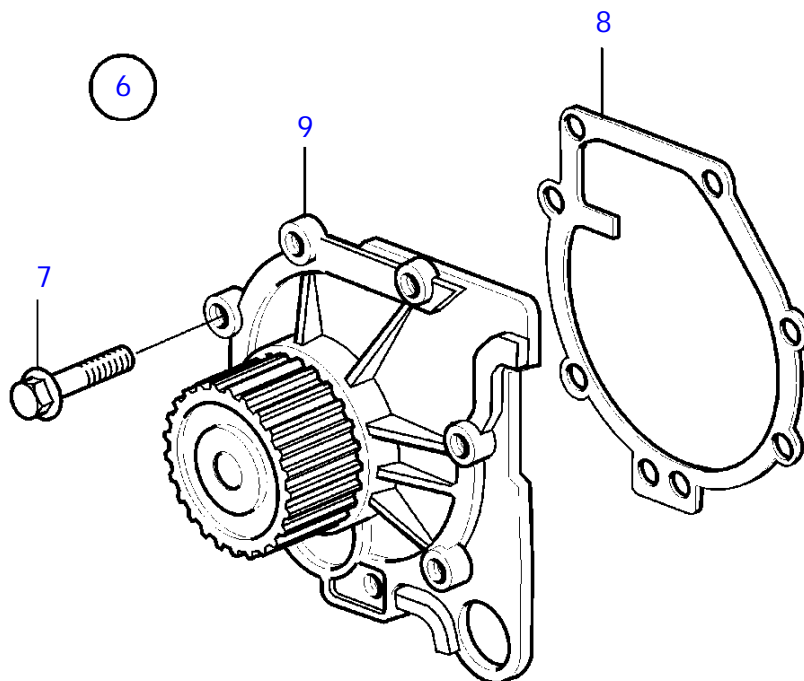
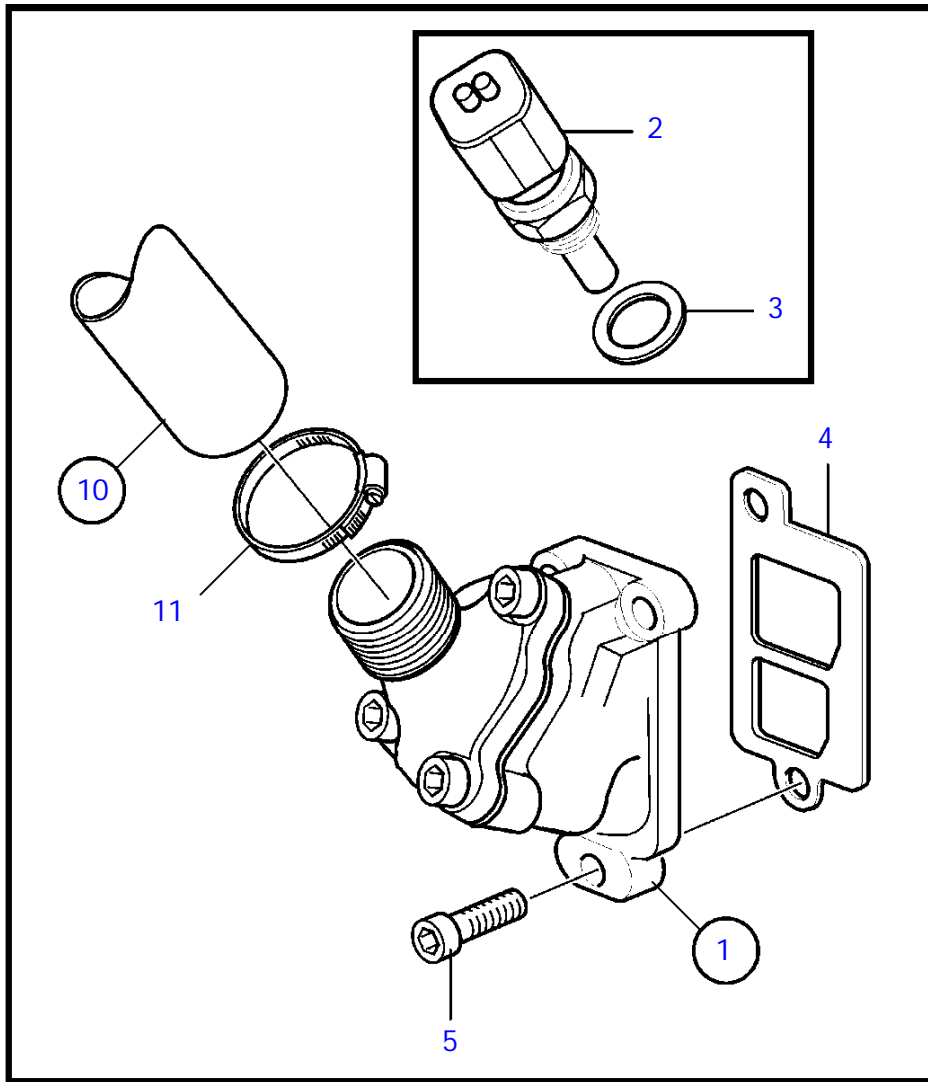
22753

D3-190A-B, D3-190I-B, D3-190A-C, D3-190I-C

REF	PART NO.	QTY	DESCRIPTION
1	3884167	1	Heat exchanger
2	959224	6	* Hex. socket screw
3	3581070	4	* O-ring
4	3580870	1	* Washer
5	888627	1	* Heater
6	3840375	1	* Insert
7	3884169	1	* End cover



D3-110I-A, D3-130A-A, D3-130I-A, D3-160A-A, D3-160I-A

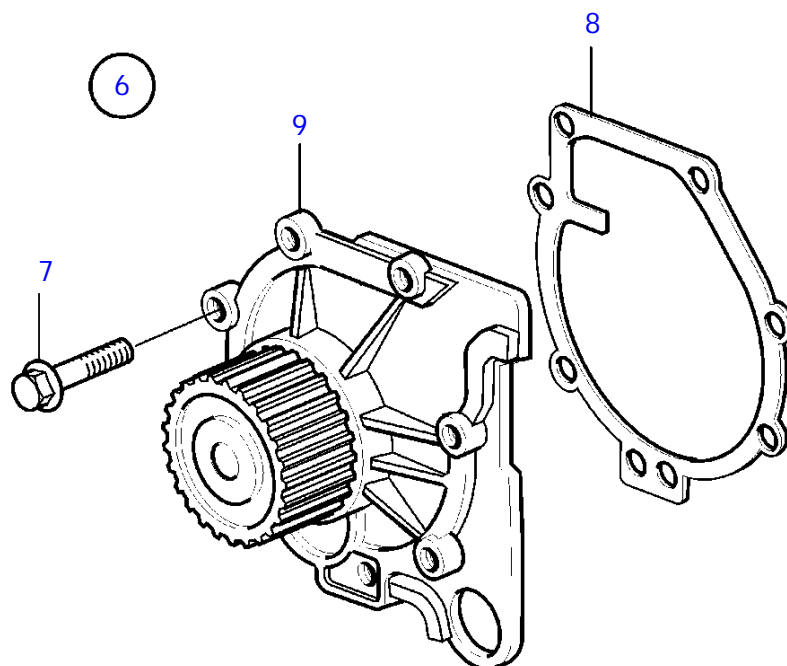
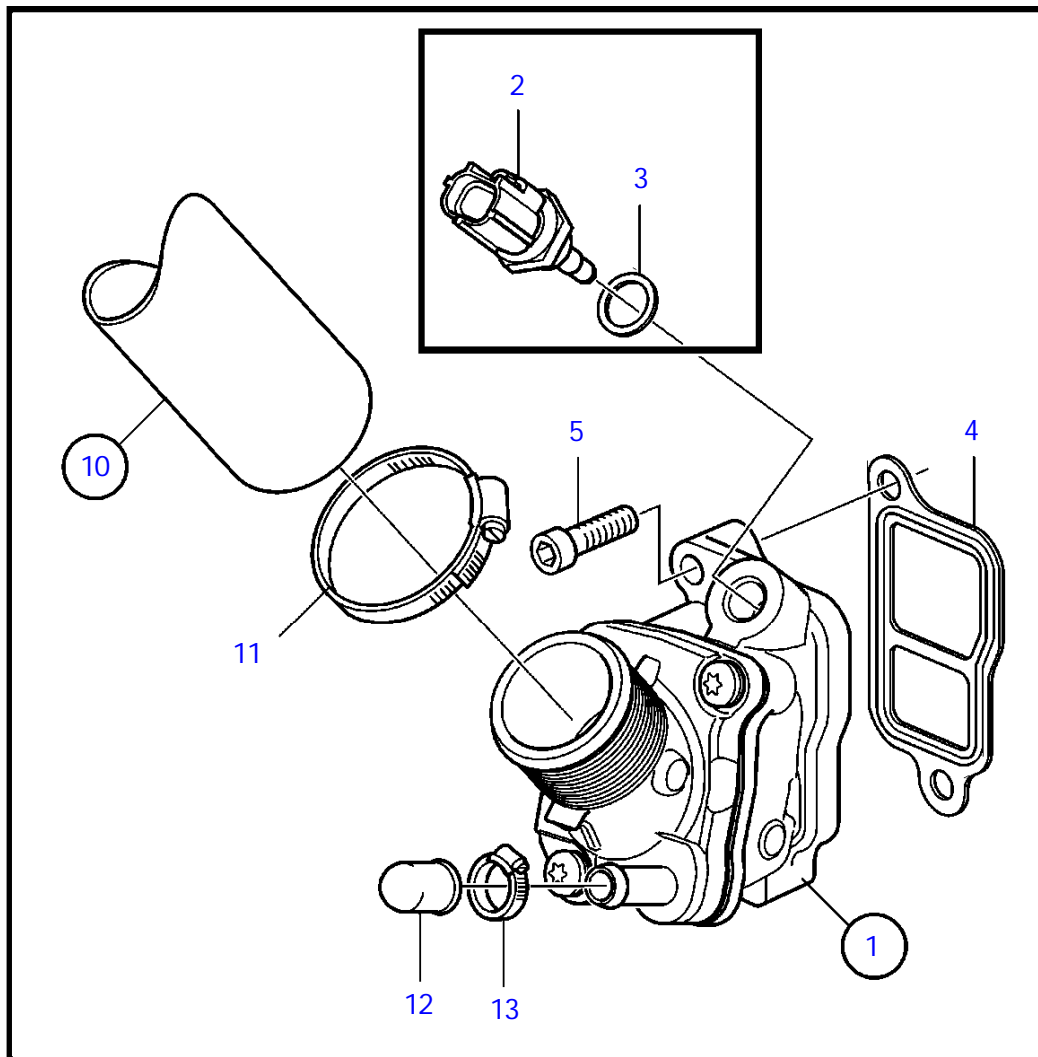


24314

D3-110I-A, D3-130A-A, D3-130I-A, D3-160A-A, D3-160I-A

REF	PART NO.	QTY	DESCRIPTION	NOTES
1		1	Thermostat housing	Replaced by 3593801 (thermostat housing), 1276516 (cap) and 975270 (hose clamp)
2	8653103	1	Sensor	
3	11994	1	Gasket	
4	8636573	1	Gasket	
5	969156	2	6 point socket screw	
6	8694630	1	Water pump kit	(274216), For pump Ø70mm
7	985151	7	* Flange screw	
8	1397532	1	* Gasket	
9		1	* Water pump	Not sold separately.
10	888609	1	Hose	
11	943477	1	Hose clamp	

D3-110I-B, D3-110I-C, D3-130A-B, D3-130I-B, D3-130A-C, D3-130I-C, D3-160A-B, D3-160I-B, D3-160A-C, D3-160I-C, D3-190A-B, D3-190I-B, D3-190A-C, D3-190I-C



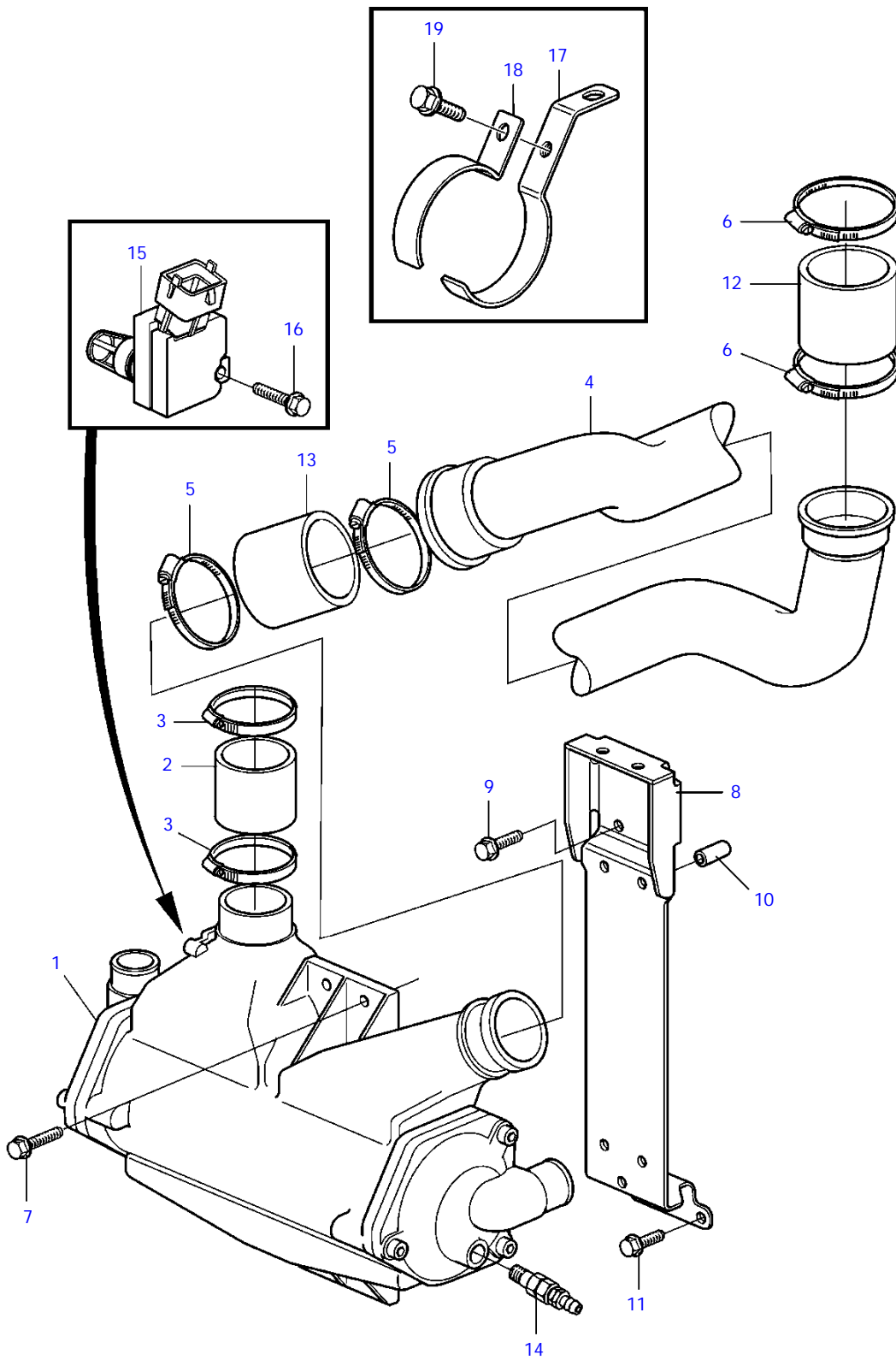
24313

D3-110I-B, D3-110I-C, D3-130A-B, D3-130I-B, D3-130A-C, D3-130I-C, D3-160A-B, D3-160I-B, D3-160A-C, D3-160I-C, D3-190A-B, D3-190I-B, D3-190A-C, D3-190I-C

REF	PART NO.	QTY	DESCRIPTION	NOTES	
1	3593801	1	Thermostat housing	When ordering this article, order also 1276516 and 945652.	
2	8653103	1	* Sensor		
3	11994	1	* Gasket		
4	8636573	1	* Gasket		
5	969156	2	6 point socket screw		
6	3801404	1	Coolant pump		
7	985151	7	* Flange screw		
8	30677767	1	* Gasket		
9		1	* Water pump		Not sold separately.
10	888609	1	Hose		
11	943477	1	Hose clamp		
12	1276516	1	Rubber cap		
13	945652	1	Hose clamp		



D3-110I-A, D3-130A-A, D3-130I-A, D3-160A-A, D3-160I-A

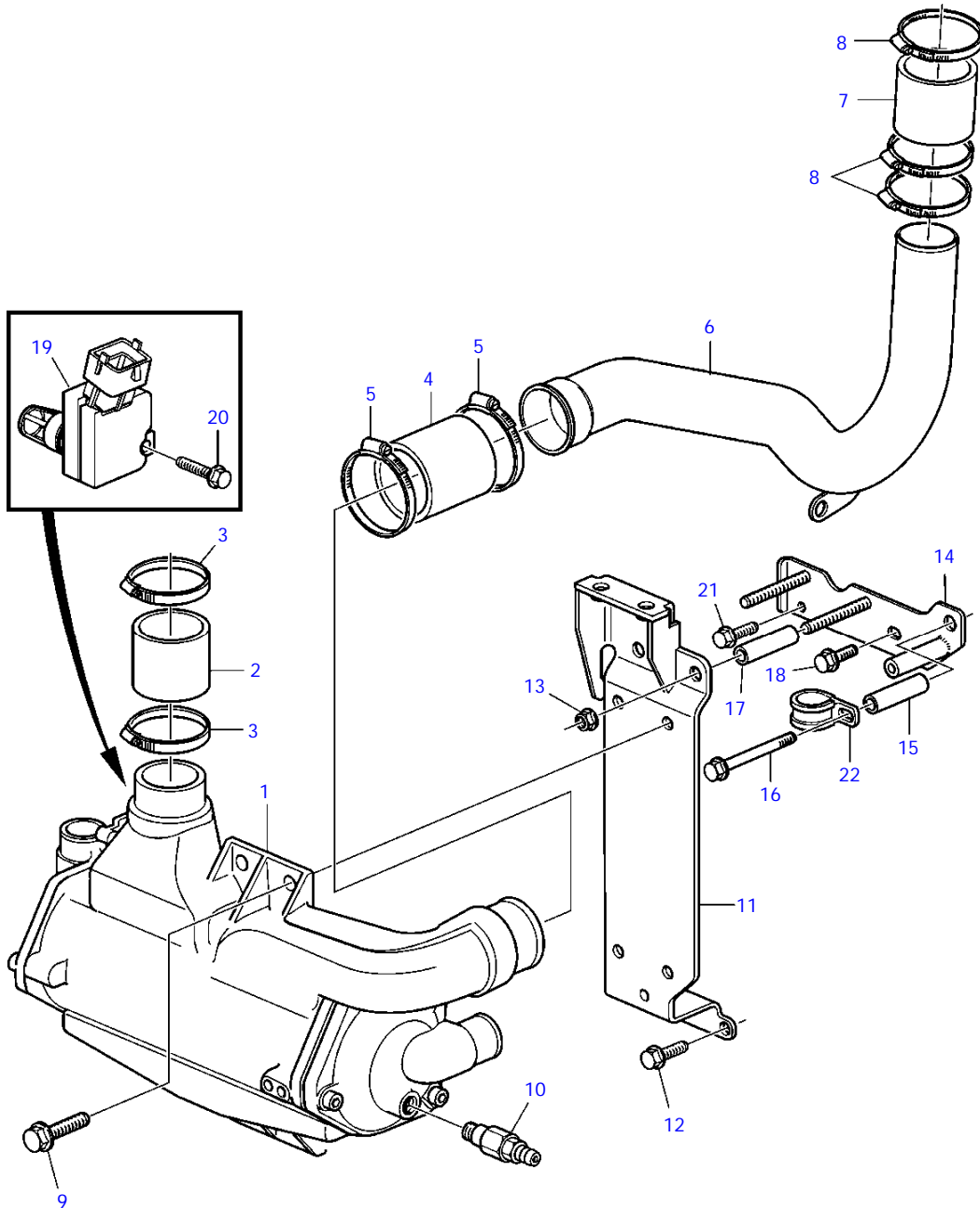


23666

D3-110I-A, D3-130A-A, D3-130I-A, D3-160A-A, D3-160I-A

REF	PART NO.	QTY	DESCRIPTION	SEE SEC.	NOTES
1	888513	1	Intercooler		
			*		
			*	6824	
2	3584328	1	Hose		
3	943480	2	Hose clamp		
4	3589828	1	Tube, turbo		(3588796)
5	943480	2	Hose clamp		
6	943479	2	Hose clamp		
7	946671	4	Flange screw		
8	3584472	1	Bracket		
9	965182	2	Flange screw		
10	858392	2	Spacer sleeve		
11	981177	2	Flange screw		
12	466327	1	Hose		
13	470464	1	Radiator hose		
14	949918	1	Shut-off cock		
15	8677288	1	Sensor		
16	969408	1	6 point socket screw		
17	3817119	1	Bracket		
18	3817121	1	Bracket		
19	967949	1	Flange screw		

D3-110I-B, D3-110I-C, D3-130A-B, D3-130I-B, D3-130A-C, D3-130I-C, D3-160A-B, D3-160I-B, D3-160A-C, D3-160I-C



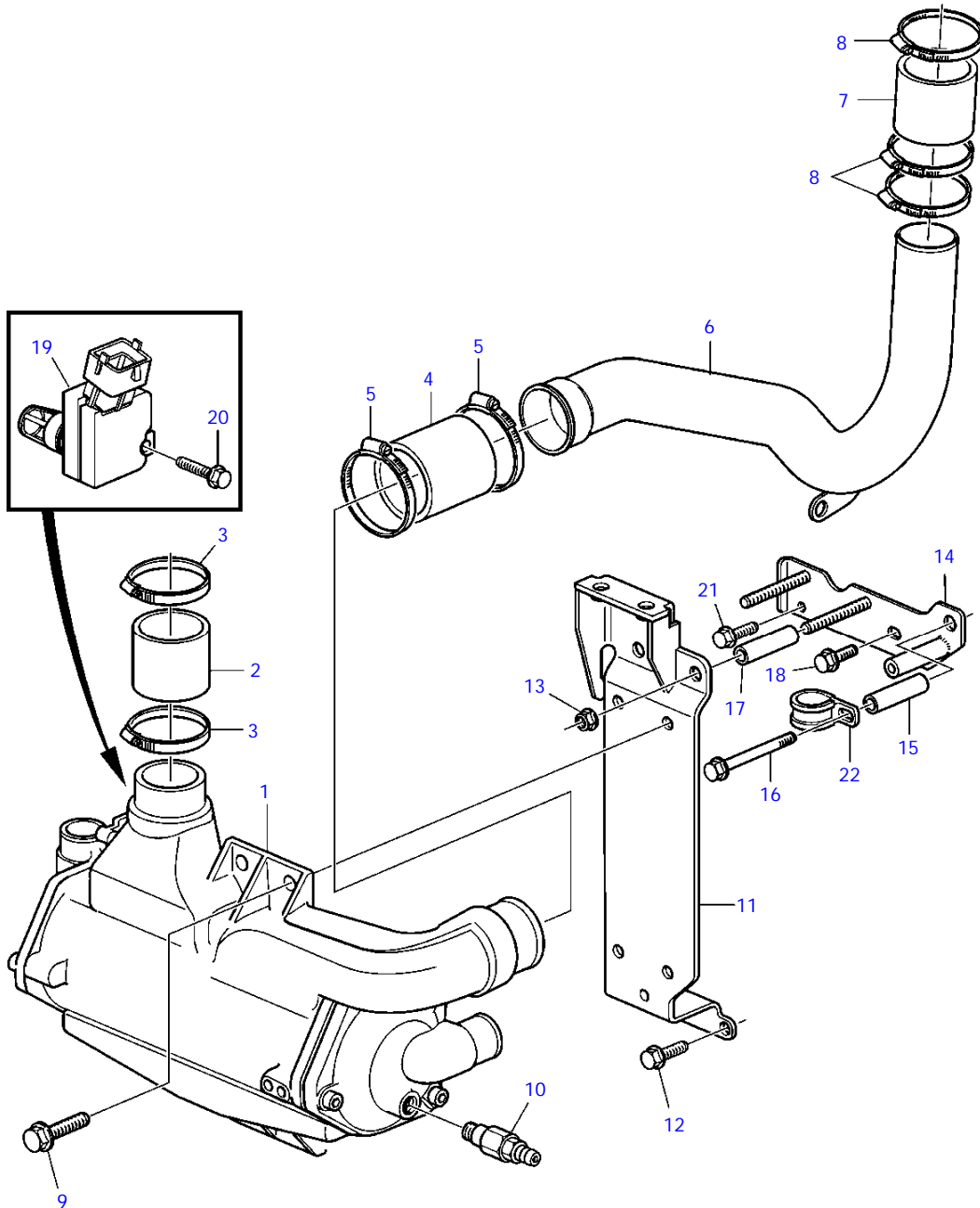
23613

D3-110I-B, D3-110I-C, D3-130A-B, D3-130I-B, D3-130A-C, D3-130I-C, D3-160A-B, D3-160I-B, D3-160A-C, D3-160I-C

REF	PART NO.	QTY	DESCRIPTION	SEE SEC.
1	3819136	1	Intercooler	
			*	
			*	9363
2	30677765	1	Hose	
3	943480	2	Hose clamp	
4	470464	1	Radiator hose, turbo	
5	943480	2	Hose clamp	
6	3886206	1	Charge air pipe	
7	847385	1	Hose	
8	21109868	2	Hose clamp	
9	946671	4	Flange screw	
10	949918	1	Shut-off cock	
11	3819388	1	Bracket	
12	981177	2	Flange screw	
13	945408	2	Flange nut	
14	3819389	1	Bracket	
15	846425	1	Spacer sleeve	
16	965186	1	Flange screw	
17	858392	2	Spacer sleeve	
18	947790	1	Flange screw	
19	30622083	1	Pressure sensor	
20	969408	1	6 point socket screw	
21	987428	1	Flange screw	
22	980614	1	Clamp	



D3-190A-B, D3-190I-B, D3-190A-C, D3-190I-C

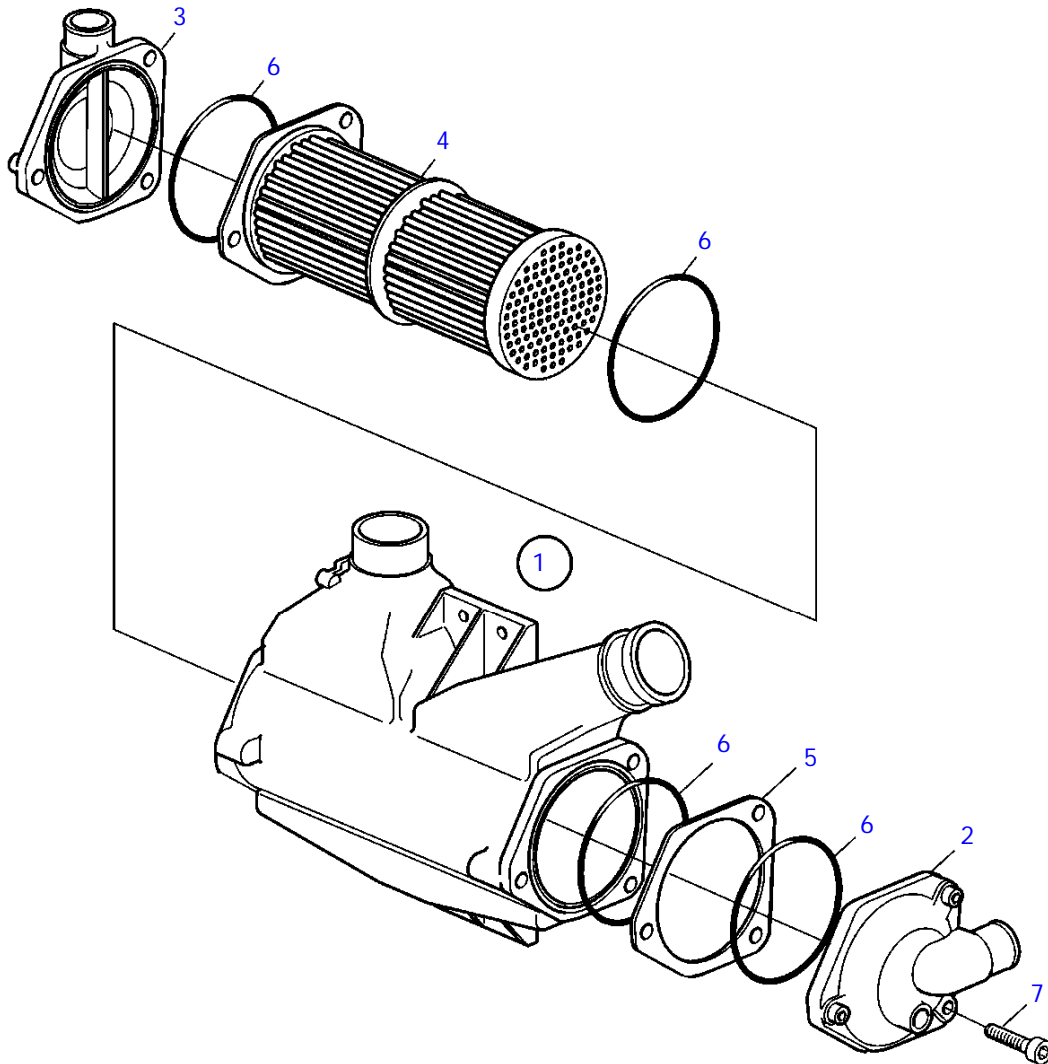


23613

D3-190A-B, D3-190I-B, D3-190A-C, D3-190I-C

REF	PART NO.	QTY	DESCRIPTION	SEE SEC.
1	3812610	1	Intercooler	
			*	
			*	9629
2	30677765	1	Hose	
3	943480	2	Hose clamp	
4	470464	1	Radiator hose, turbo	
5	943480	2	Hose clamp	
6	3886206	1	Charge air pipe	
7	847385	1	Hose	
8	21109868	2	Hose clamp	
9	946671	4	Flange screw	
10	949918	1	Shut-off cock	
11	3819388	1	Bracket	
12	981177	2	Flange screw	
13	945408	2	Flange nut	
14	3819389	1	Bracket	
15	846425	1	Spacer sleeve	
16	965186	1	Flange screw	
17	858392	2	Spacer sleeve	
18	947790	1	Flange screw	
19	30622083	1	Pressure sensor	
20	969408	1	6 point socket screw	
21	987428	1	Flange screw	
22	980614	1	Clamp	

D3-110I-A, D3-130A-A, D3-130I-A, D3-160A-A, D3-160I-A

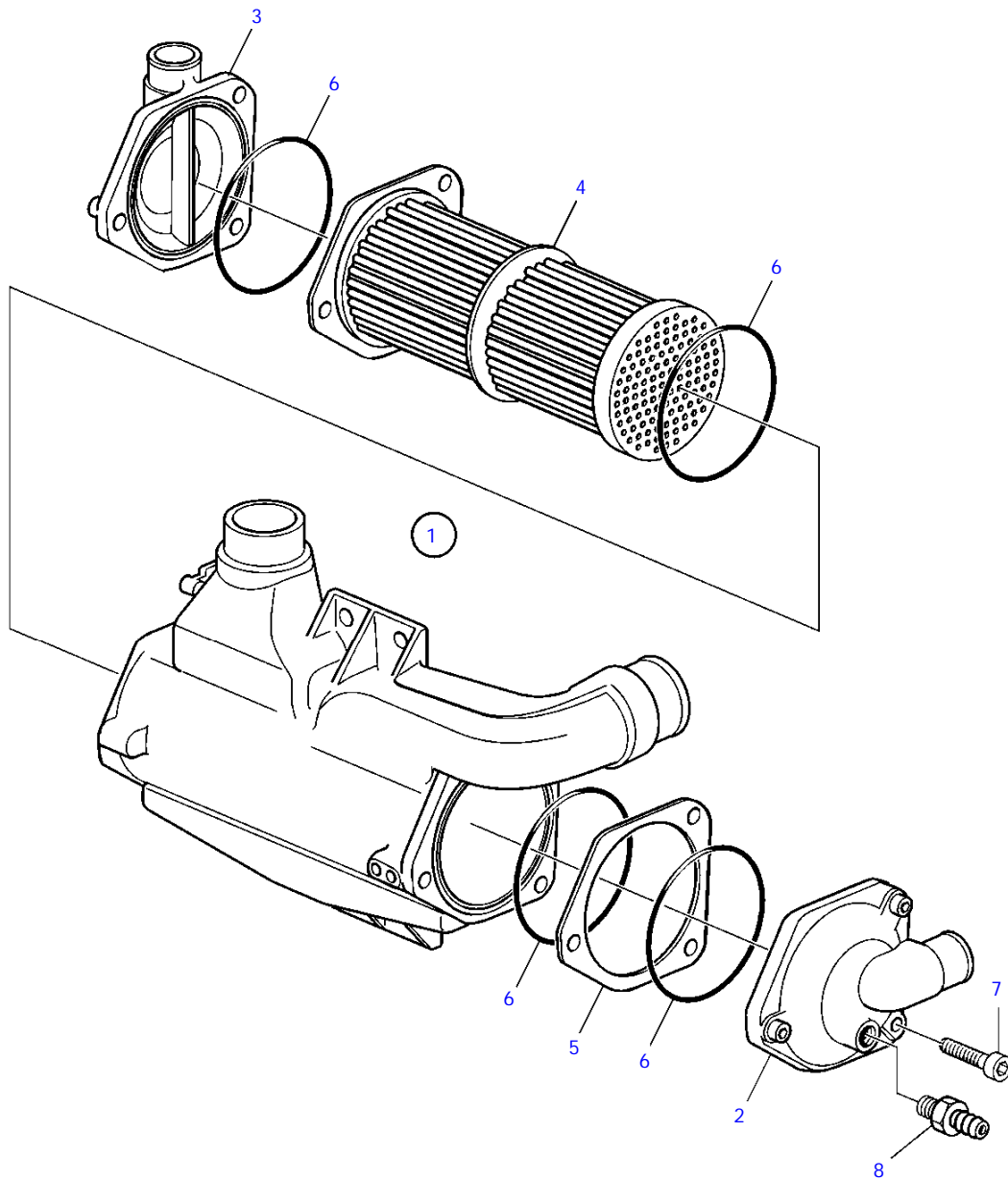


20085

D3-110I-A, D3-130A-A, D3-130I-A, D3-160A-A, D3-160I-A

REF	PART NO.	QTY	DESCRIPTION
1	888513	1	Intercooler
2	3584337	1	* End cover
3	3584338	1	* End cover
4	3584336	1	* Insert
5	3580870	1	* Washer
6	3581070	4	* O-ring
7	3838337	6	* Screw

D3-110I-B, D3-110I-C, D3-130A-B, D3-130I-B, D3-130A-C, D3-130I-C, D3-160A-B, D3-160I-B, D3-160A-C, D3-160I-C

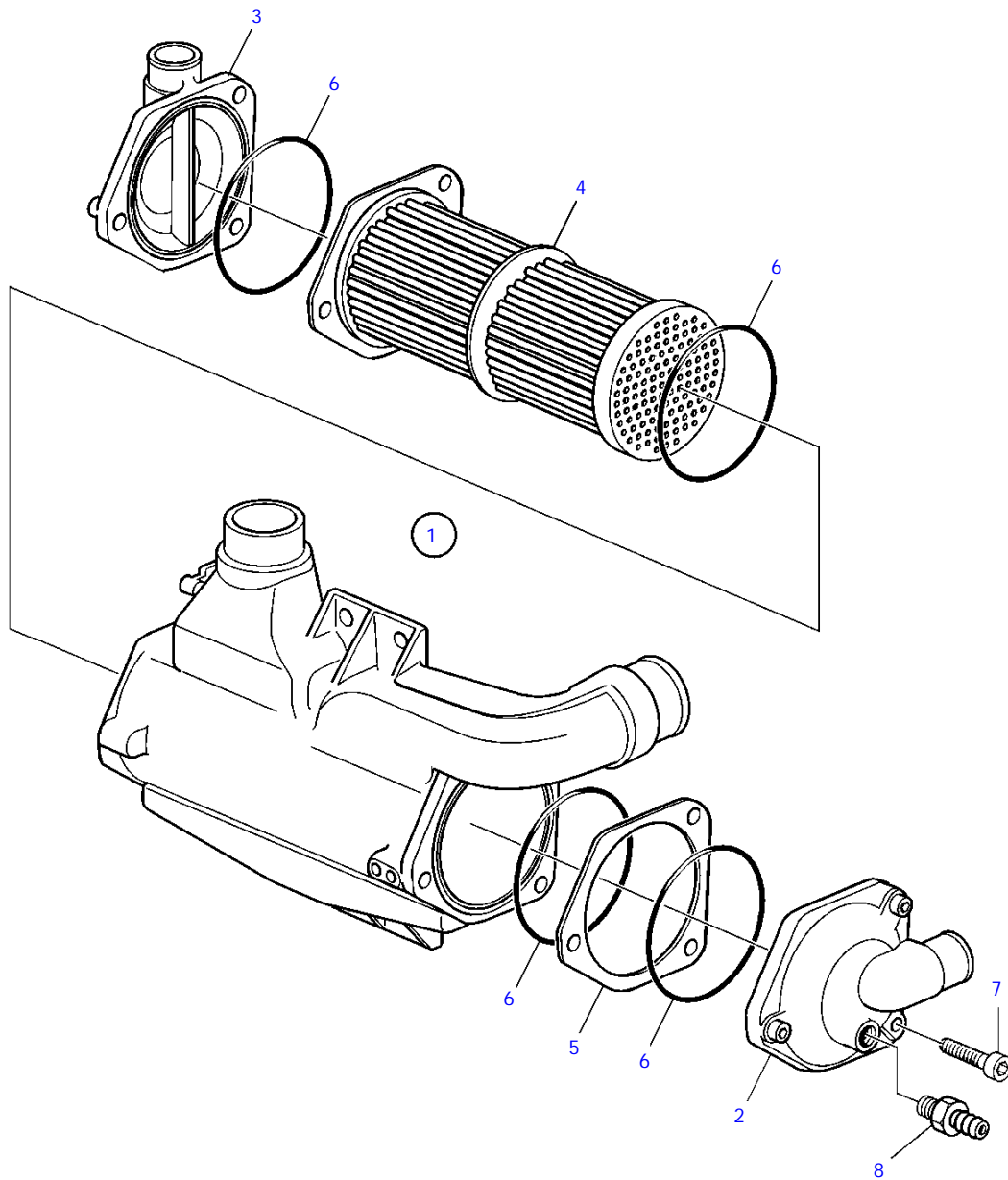


22727

D3-110I-B, D3-110I-C, D3-130A-B, D3-130I-B, D3-130A-C, D3-130I-C, D3-160A-B, D3-160I-B, D3-160A-C, D3-160I-C

REF	PART NO.	QTY	DESCRIPTION
1	3819136	1	Intercooler
2	3584337	1	* End cover
3	3584338	1	* End cover
4	3840921	1	* Insert
5	3580870	1	* Washer
6	3581070	4	* O-ring
7	959224	6	* Hex. socket screw
8	949918	1	Shut-off cock

D3-190A-B, D3-190I-B, D3-190A-C, D3-190I-C



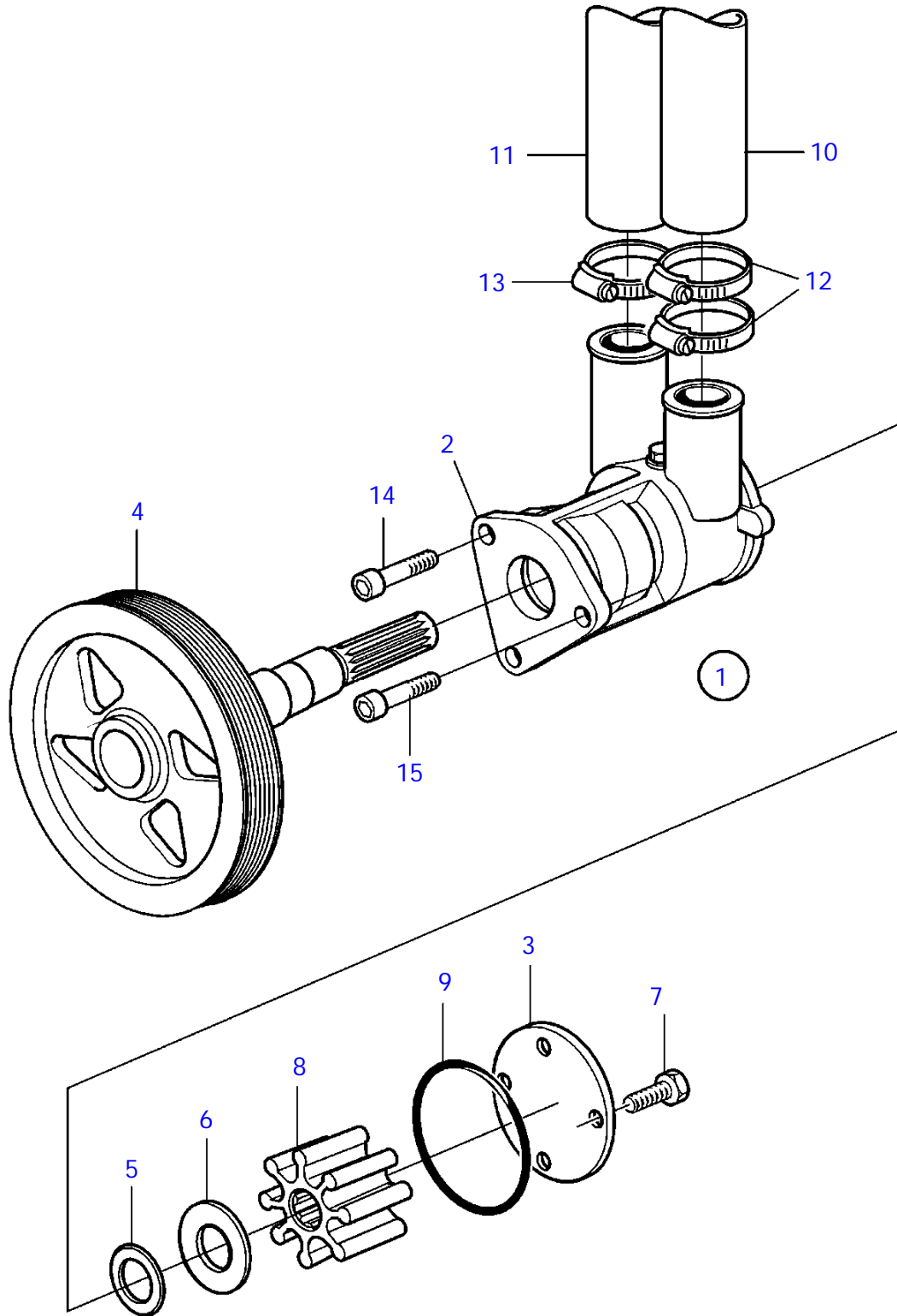
22727

D3-190A-B, D3-190I-B, D3-190A-C, D3-190I-C

REF	PART NO.	QTY	DESCRIPTION	SEE SEC.	NOTES
1	3812610	1	Intercooler		
2	3584337	1	* End cover		
3	3584338	1	* End cover		
4	3840379	1	* Insert		
			* Bulletin P-21-0-23	P-21-0-23-EN	New Exchange Units for Volvo Penta Engines
5	3580870	1	* Washer		
6	3581070	4	* O-ring		
7	959224	6	* Hex. socket screw		
8	949918	1	Shut-off cock		



D3-110I-A, D3-130A-A, D3-130I-A, D3-160A-A, D3-160I-A

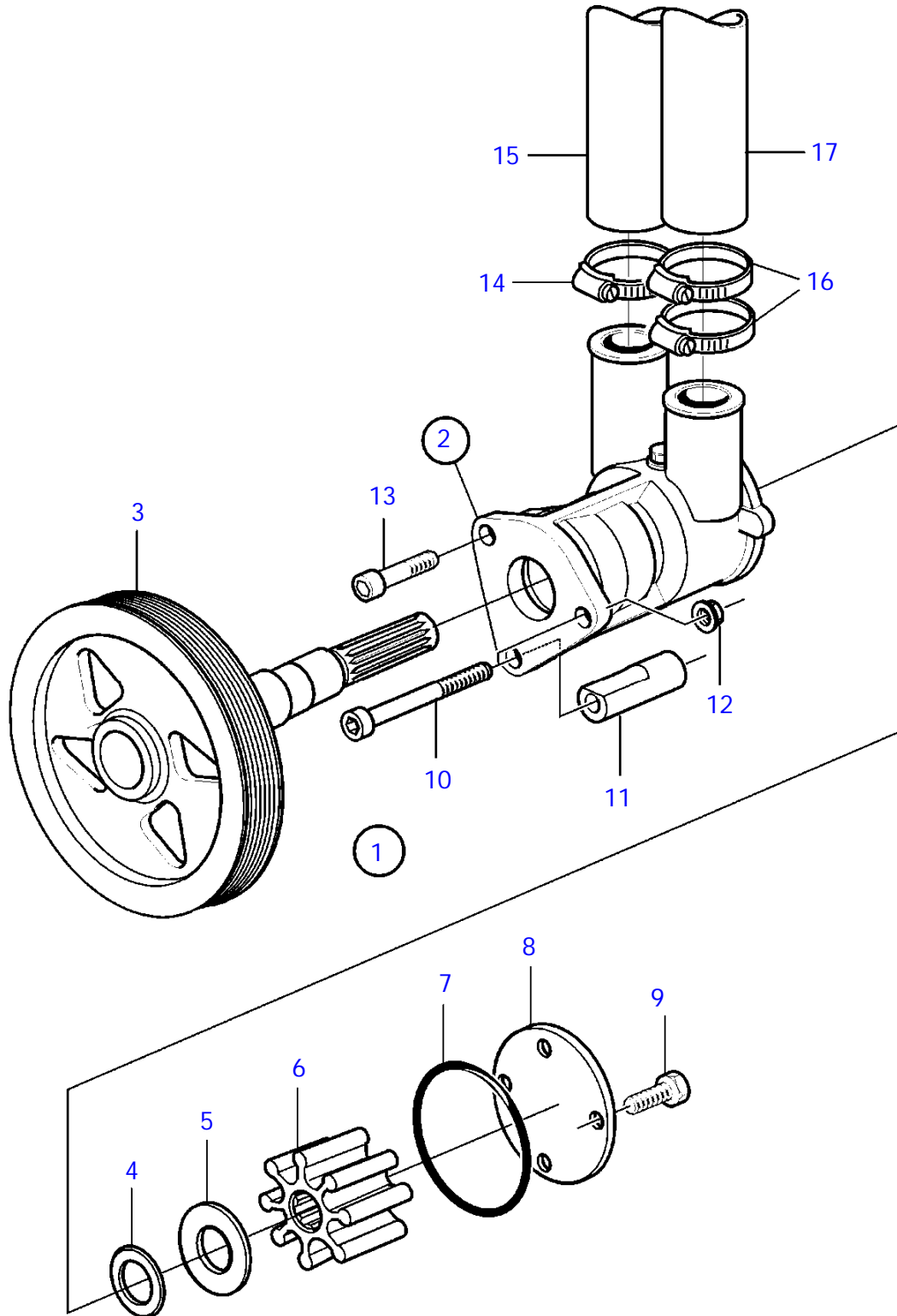


22774

D3-110I-A, D3-130A-A, D3-130I-A, D3-160A-A, D3-160I-A

REF	PART NO.	QTY	DESCRIPTION	SEE SEC.	NOTES
1	3584343	1	Sea water pump		Replaced by kit 3884907.
2		1	* Housing		
3	3584353	1	* Cardboard tube		
4		1	* Pulley		
5	3584349	1	* Sealing ring		
6	827247	1	* Sealing ring		
7	21346724	4	* Screw		M5x12mm
8	3593660	1	* Impeller kit	7263	
9	3583809	1	* O-ring		
10	3584356	1	Hose, oil cooler		
11	3584355	1	Hose, heat exchanger		
12	993963	2	Hose clamp		
13	993964	1	Hose clamp		
14	959222	2	Hex. socket screw		M8x25mm
15	959223	1	Hex. socket screw		M8x30mm
16	3884907	1	Kit	35325	Replacing sea water pump 3584343

D3-110I-A, D3-130A-A, D3-130I-A, D3-160A-A, D3-160I-A

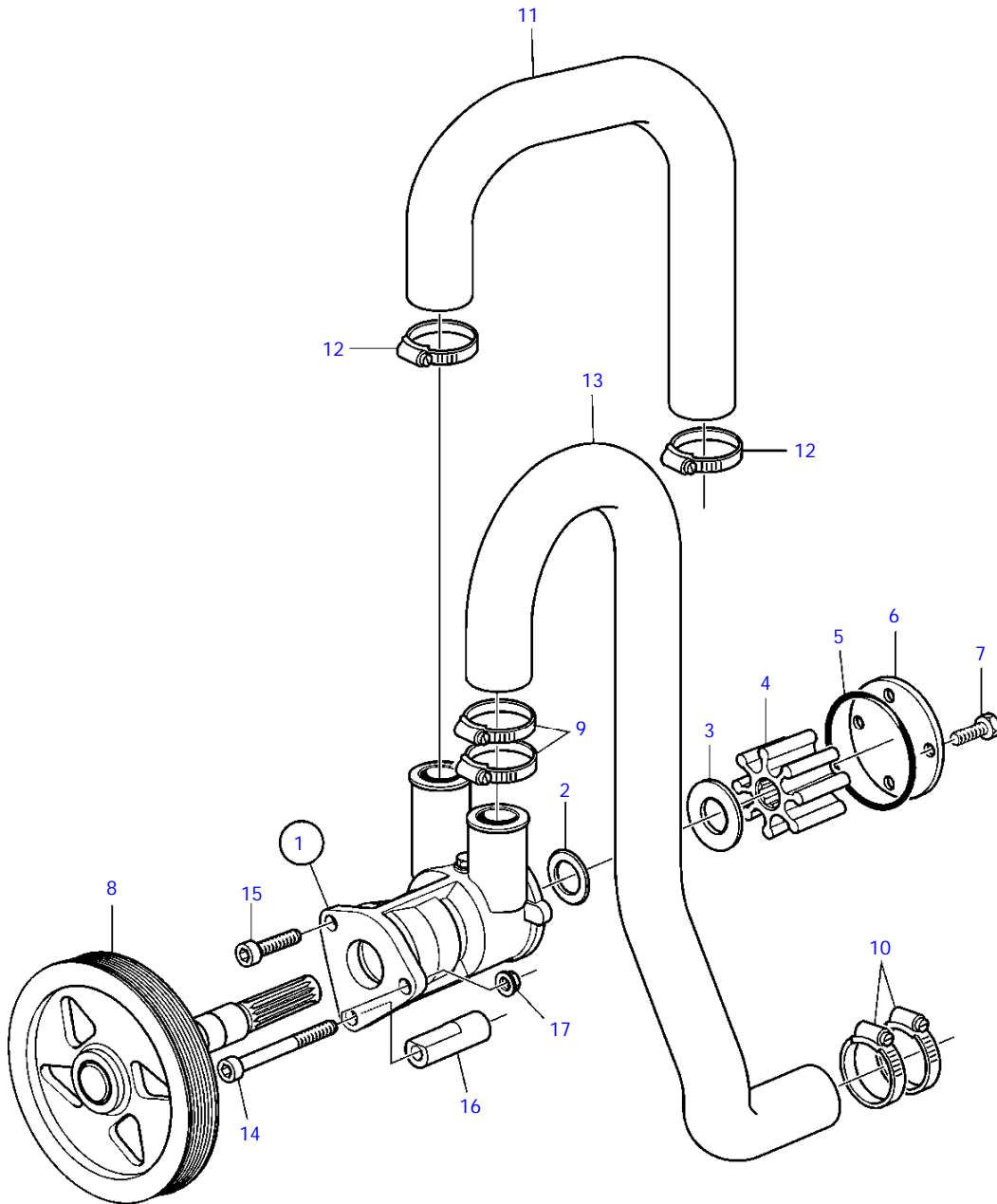


24618

D3-110I-A, D3-130A-A, D3-130I-A, D3-160A-A, D3-160I-A

REF	PART NO.	QTY	DESCRIPTION	SEE SEC.	NOTES
1	3884907	1	Kit		
2	21141637	1	* Sea water pump		
3		1	** Pulley		
4	3584349	1	** Sealing ring		
5	827247	1	** Sealing ring		
6	3593660	1	** Impeller kit	7263	
7	3583809	1	* O-ring		
8	3584353	1	** Cardboard tube		
9	21346724	4	** Screw		M5x12mm
10	959227	2	* Hex. socket screw		M8x50mm
11	3884647	1	* Spacer sleeve		
12	945408	1	* Flange nut		
13	959222	1	Hex. socket screw		M8x25mm
14	993964	1	Hose clamp		
15	3584355	1	Hose		Sea water pump-heat exchanger.
16	993963	2	Hose clamp		
17	3584356	1	Hose		Sea water pump-oil cooler.

D3-110I-B, D3-130I-B

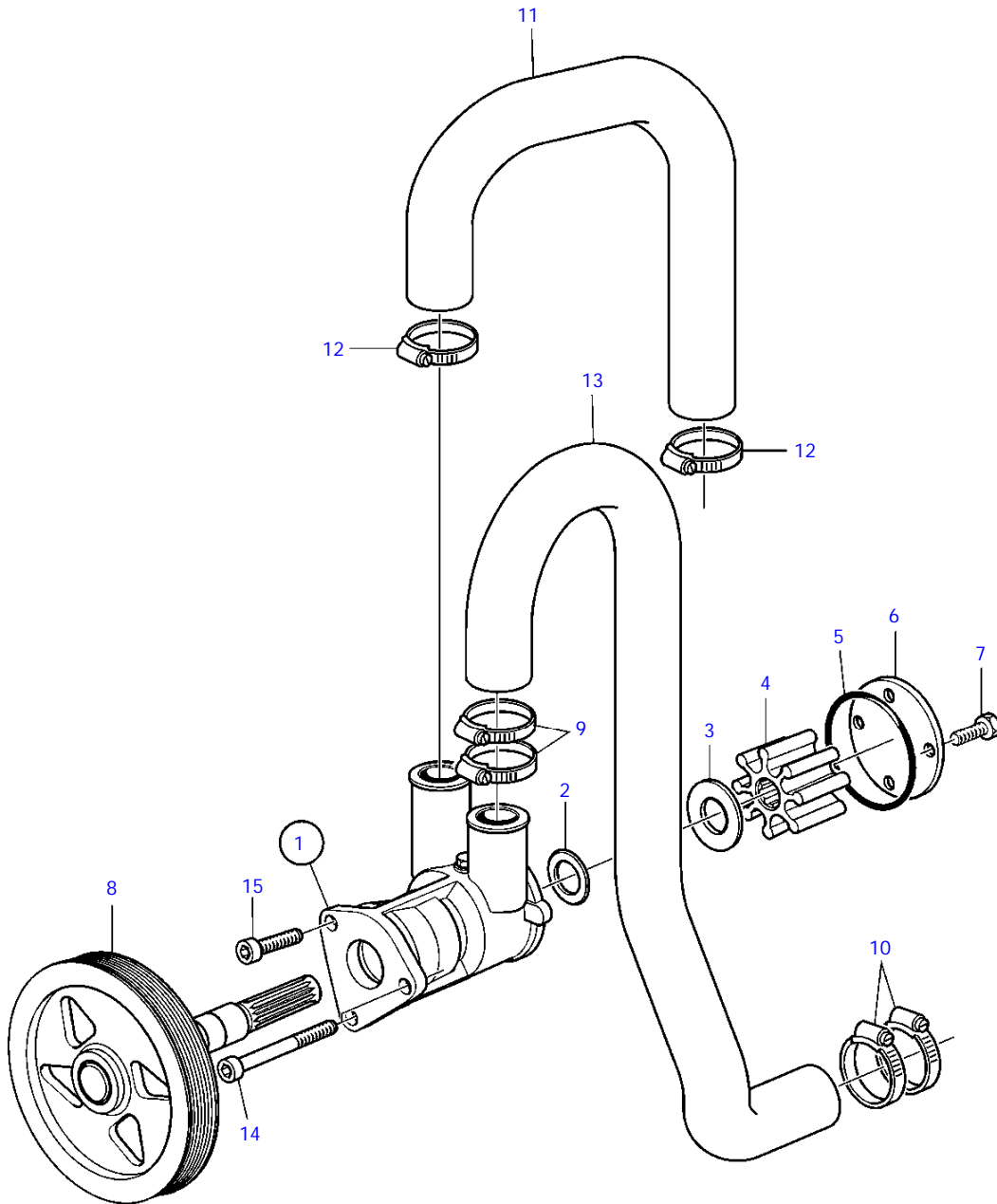


22776

D3-110I-B, D3-130I-B

REF	PART NO.	QTY	DESCRIPTION	SEE SEC.	NOTES
1	21141637	1	Sea water pump		(3884694)
2	3584349	1	* Sealing ring		
3	827247	1	* Sealing ring		
4	3593660	1	* Impeller kit	7263	
5	3583809	1	* O-ring		
6	3584353	1	* Cardboard tube		
7	21346724	4	* Screw		
8		1	* Pulley		
9	993963	2	Hose clamp		
10	961670	2	Hose clamp		
11	3584355	1	Hose, heat exchanger		
12	993964	2	Hose clamp		
13	3584356	1	Hose		
14	959227	2	Hex. socket screw		M8x50mm
15	959222	1	Hex. socket screw		M8x25mm
16	3884647	1	Spacer sleeve		
17	945408	1	Flange nut		

D3-110I-C, D3-130I-C, D3-160I-B, D3-160I-C, D3-190I-B, D3-190I-C



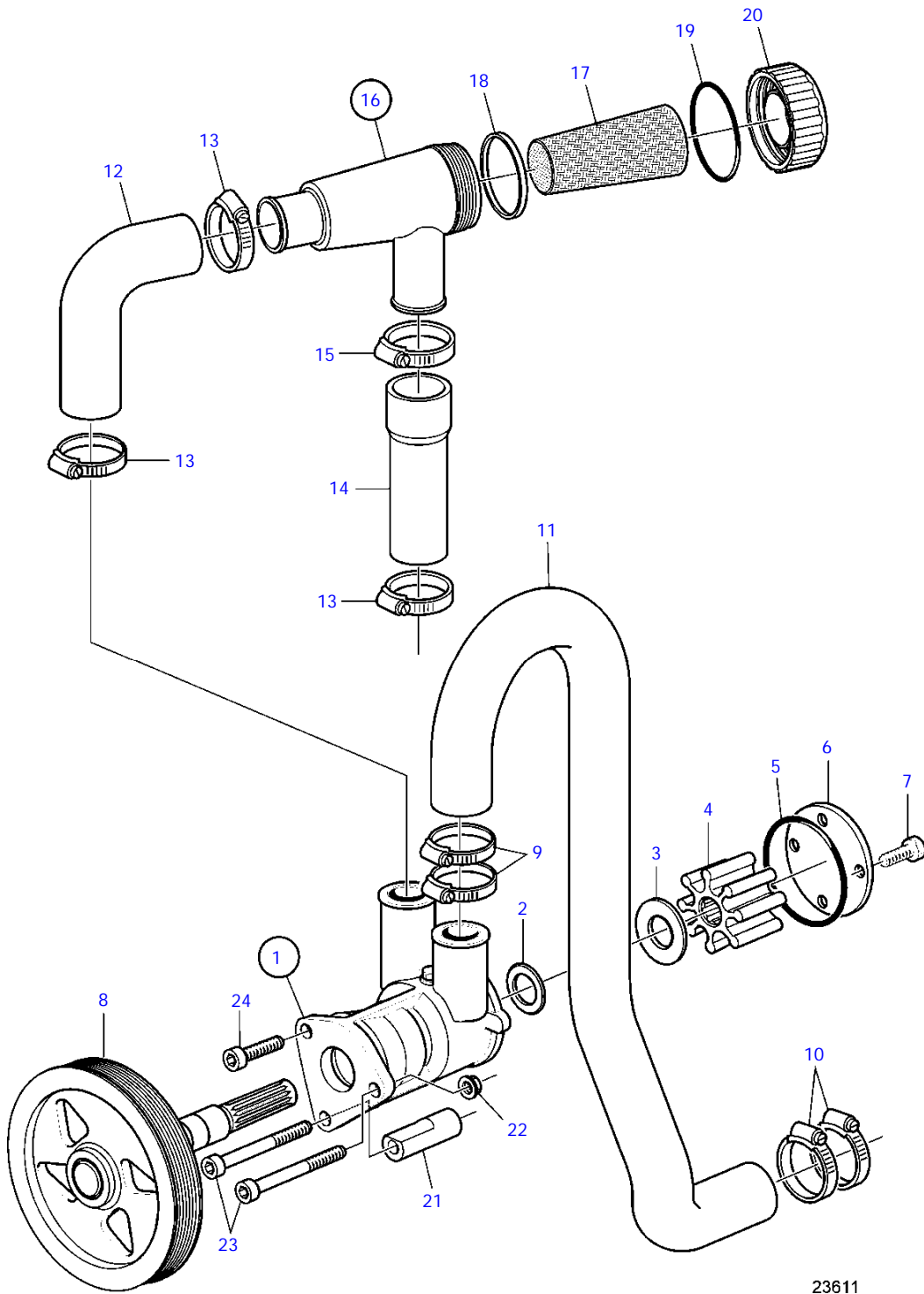
22777

D3-110I-C, D3-130I-C, D3-160I-B, D3-160I-C, D3-190I-B, D3-190I-C

REF	PART NO.	QTY	DESCRIPTION	SEE SEC.	NOTES
1	21141637	1	Sea water pump		(3884694)
2	3584349	1	* Sealing ring		
3	827247	1	* Sealing ring		
4	3593660	1	* Impeller kit	7263	
5	3583809	1	* O-ring		
6	3584353	1	* Cardboard tube		
7	21346724	4	* Screw		
8		1	* Pulley		
9	993963	2	Hose clamp		
10	961670	2	Hose clamp		
11	3584355	1	Hose, heat exchanger		
12	993964	2	Hose clamp		
13	3584356	1	Hose		
14	959227	2	Hex. socket screw		
15	959222	1	Hex. socket screw		



D3-130A-B

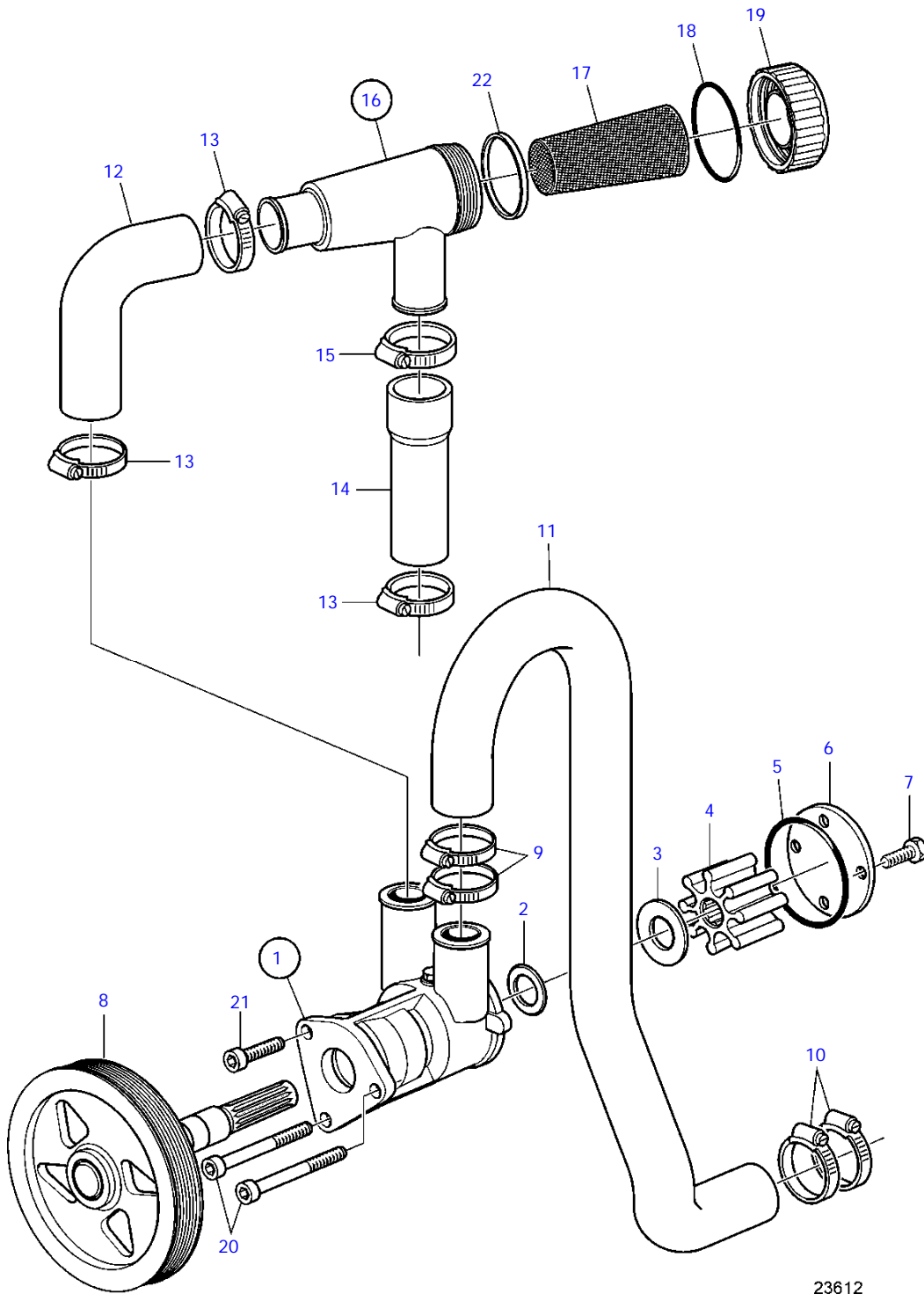


23611

D3-130A-B

REF	PART NO.	QTY	DESCRIPTION	SEE SEC.	NOTES
1	21141637	1	Sea water pump		(3884694)
2	3584349	1	* Sealing ring		
3	827247	1	* Sealing ring		
4	3593660	1	* Impeller kit	7263	
5	3583809	1	* O-ring		
6	3584353	1	* Cardboard tube		
7	21346724	4	* Screw		
8		1	* Pulley		
9	993963	2	Hose clamp		
10	961670	2	Hose clamp		
11	3584356	1	Hose, heat exchanger		
12	3817382	1	Hose		
13	993964	3	Hose clamp		
14	3817383	1	Hose		
15	943479	1	Hose clamp		
16	3812612	1	Sea water filter		
17	3593606	1	* Filter insert		
18	1547254	1	* Sealing ring		Earlier production
19	925093	1	* O-ring		
20	(3812608)	1	* Cover		Obsolete part, Superseded by 3812612
21	3884647	1	Spacer sleeve		
22	945408	1	Flange nut		
23	959227	2	Hex. socket screw		M8x50mm
24	959222	1	Hex. socket screw		

D3-130A-C, D3-160A-B, D3-160A-C, D3-190A-B, D3-190A-C

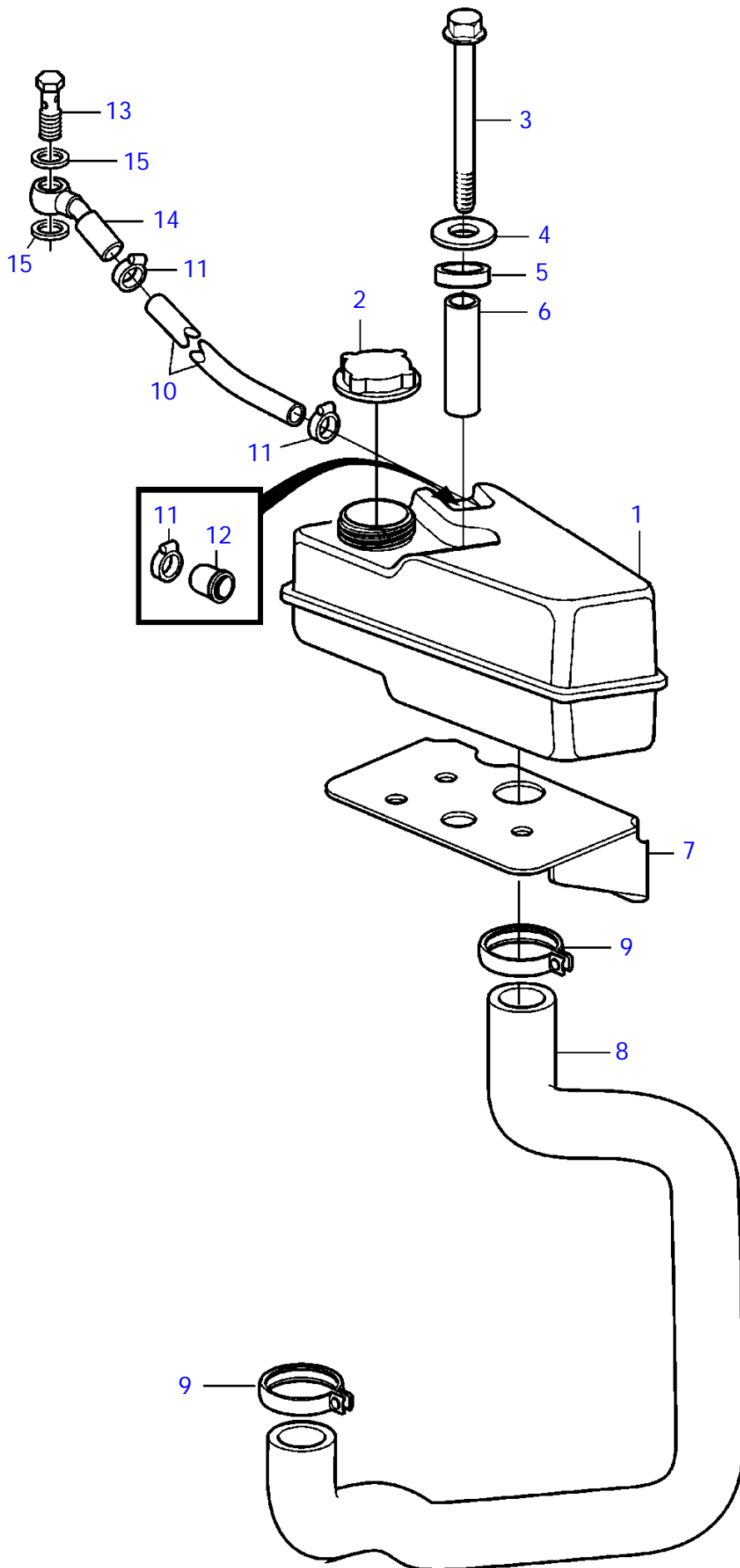


23612

D3-130A-C, D3-160A-B, D3-160A-C, D3-190A-B, D3-190A-C

REF	PART NO.	QTY	DESCRIPTION	SEE SEC.	NOTES
1	21141637	1	Sea water pump		(3884694)
2	3584349	1	* Sealing ring		
3	827247	1	* Sealing ring		
4	3593660	1	* Impeller kit	7263	
5	3583809	1	* O-ring		
6	3584353	1	* Cardboard tube		
7	21346724	4	* Screw		
8		1	* Pulley		
9	993963	2	Hose clamp		
10	961670	2	Hose clamp		
11	3584356	1	Hose, heat exchanger		
12	3817382	1	Hose		
13	993964	3	Hose clamp		
14	3817383	1	Hose		
15	943479	1	Hose clamp		
16	3812612	1	Sea water filter		
17	3593606	1	* Filter insert		
18	925093	1	* O-ring		
19	(3812608)	1	* Cover		Obsolete part
20	959227	2	Hex. socket screw		M8x50mm
21	959222	1	Hex. socket screw		
22	1547254	1	Sealing ring		Earlier production

D3-110I-A, D3-130A-A, D3-130I-A, D3-160A-A, D3-160I-A



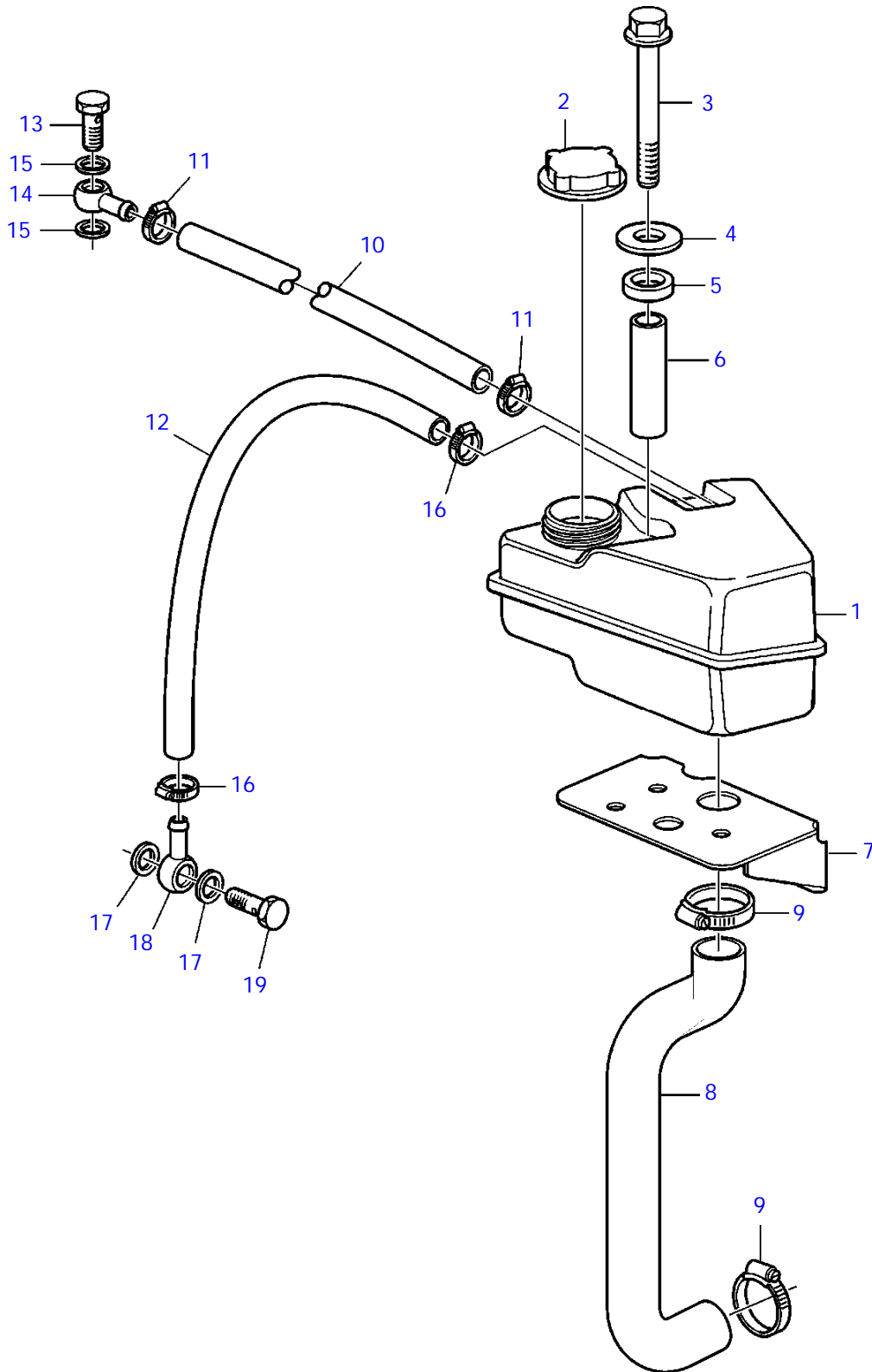
<b>Expansion Tank</b>	26
-----------------------	----

D3-110I-A, D3-130A-A, D3-130I-A, D3-160A-A, D3-160I-A
---

REF	PART NO.	QTY	DESCRIPTION	NOTES
1	3580941	1	Expansion tank	
2	9445462	1	Filler cap	
3	968999	1	Flange screw	
4	976944	1	Washer	
5	3285120	1	Grommet	
6	3581032	1	Spacer sleeve	
7	3584325	1	Bracket	
8	3584326	1	Hose	
9	993961	2	Hose clamp	
10	942700	1	Hose	L=680mm
11	945652	3	Hose clamp	
12	1276516	1	Rubber cap	
13	969299	1	Hollow screw	
14	858750	1	Banjo nipple	
15	11994	2	Gasket	



D3-110I-B, D3-110I-C, D3-130A-B, D3-130I-B, D3-130A-C, D3-130I-C, D3-160A-B, D3-160I-B, D3-160A-C, D3-160I-C, D3-190A-B, D3-190I-B, D3-190A-C, D3-190I-C



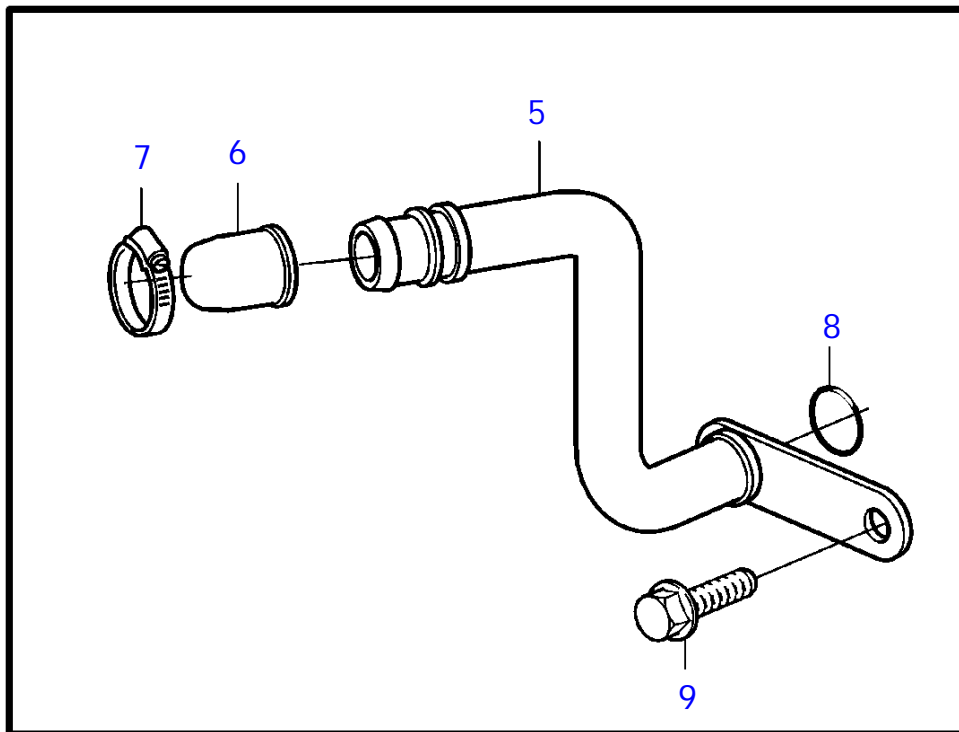
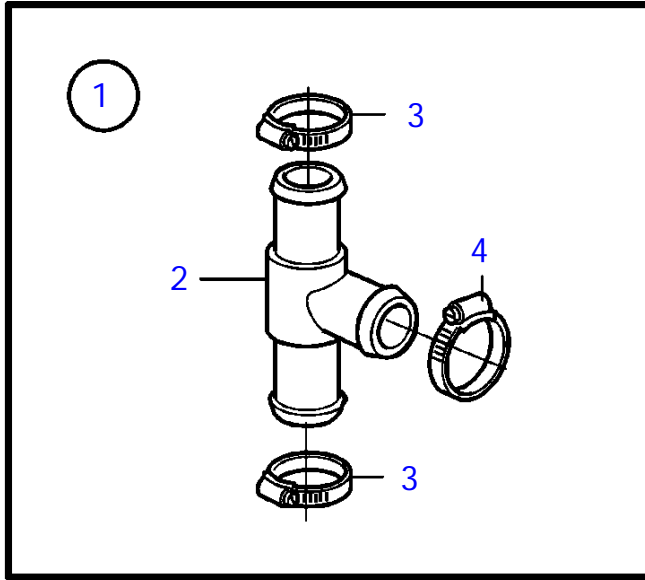
22707

D3-110I-B, D3-110I-C, D3-130A-B, D3-130I-B, D3-130A-C, D3-130I-C, D3-160A-B, D3-160I-B, D3-160A-C, D3-160I-C, D3-190A-B, D3-190I-B, D3-190A-C, D3-190I-C

REF	PART NO.	QTY	DESCRIPTION	NOTES
1	3580941	1	Expansion tank	
2	9445462	1	Filler cap	
3	968999	1	Flange screw	
4	976944	1	Washer	
5	3285120	1	Grommet	
6	3581032	1	Spacer sleeve	
7	3584325	1	Bracket	
8	3819125	1	Hose	
9	993961	2	Hose clamp	
10	942700	1	Hose	L=680mm
11	945652	2	Hose clamp	
12	942700	1	Hose	L=330mm
13	969299	1	Hollow screw	
14	858750	1	Banjo nipple	
15	11994	2	Gasket	
16	945652	2	Hose clamp	
17	11994	2	Gasket	
18	858750	1	Banjo nipple	
19	969299	1	Hollow screw	



D3-110I-A, D3-130A-A, D3-130I-A, D3-160A-A, D3-160I-A

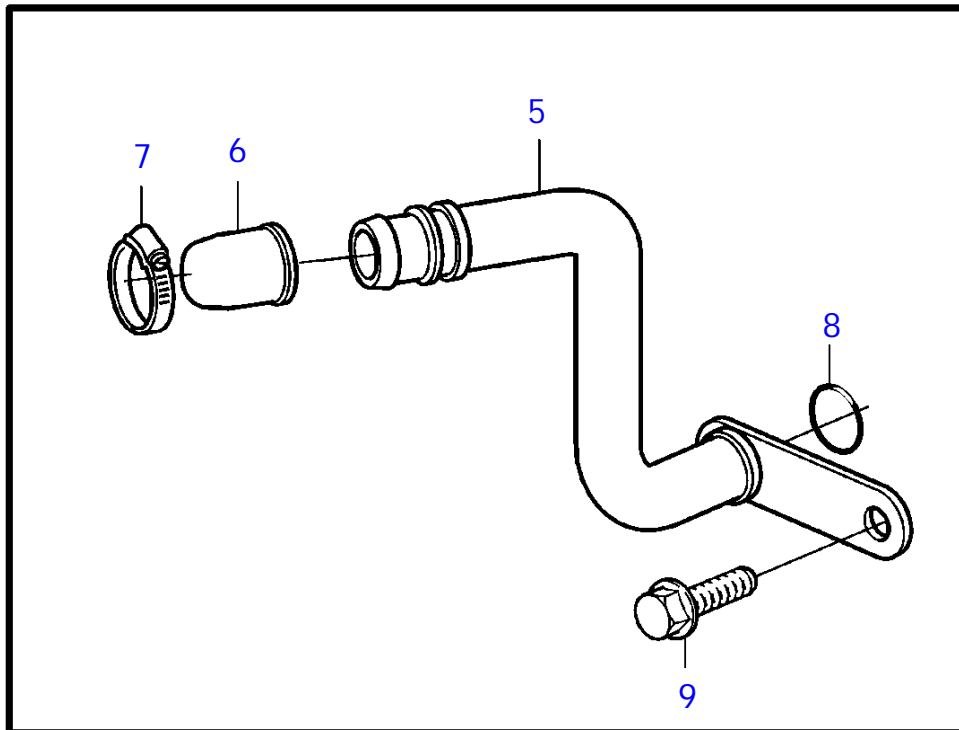
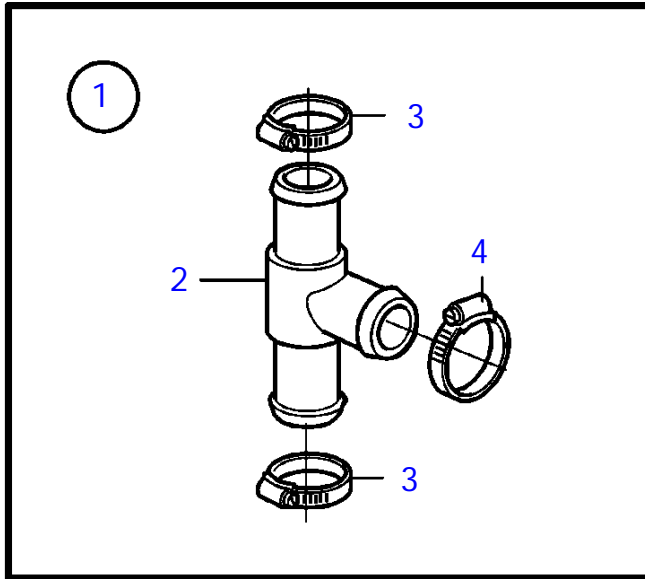


20026

D3-110I-A, D3-130A-A, D3-130I-A, D3-160A-A, D3-160I-A

REF	PART NO.	QTY	DESCRIPTION	NOTES
1	3588682	1	Hot water output kit	
2	3588519	1	* T-nipple	
3	961667	2	* Hose clamp	
4	961665	1	* Hose clamp	
5	30713691	1	Pipe	(6900069)
6	842235	1	Cardboard tube	
7	943472	1	Hose clamp	
8	982292	1	O-ring	
9	968813	1	Flange screw	

D3-110I-B, D3-110I-C, D3-130A-B, D3-130I-B, D3-130A-C, D3-130I-C, D3-160A-B, D3-160I-B, D3-160A-C, D3-160I-C, D3-190A-B, D3-190I-B, D3-190A-C, D3-190I-C



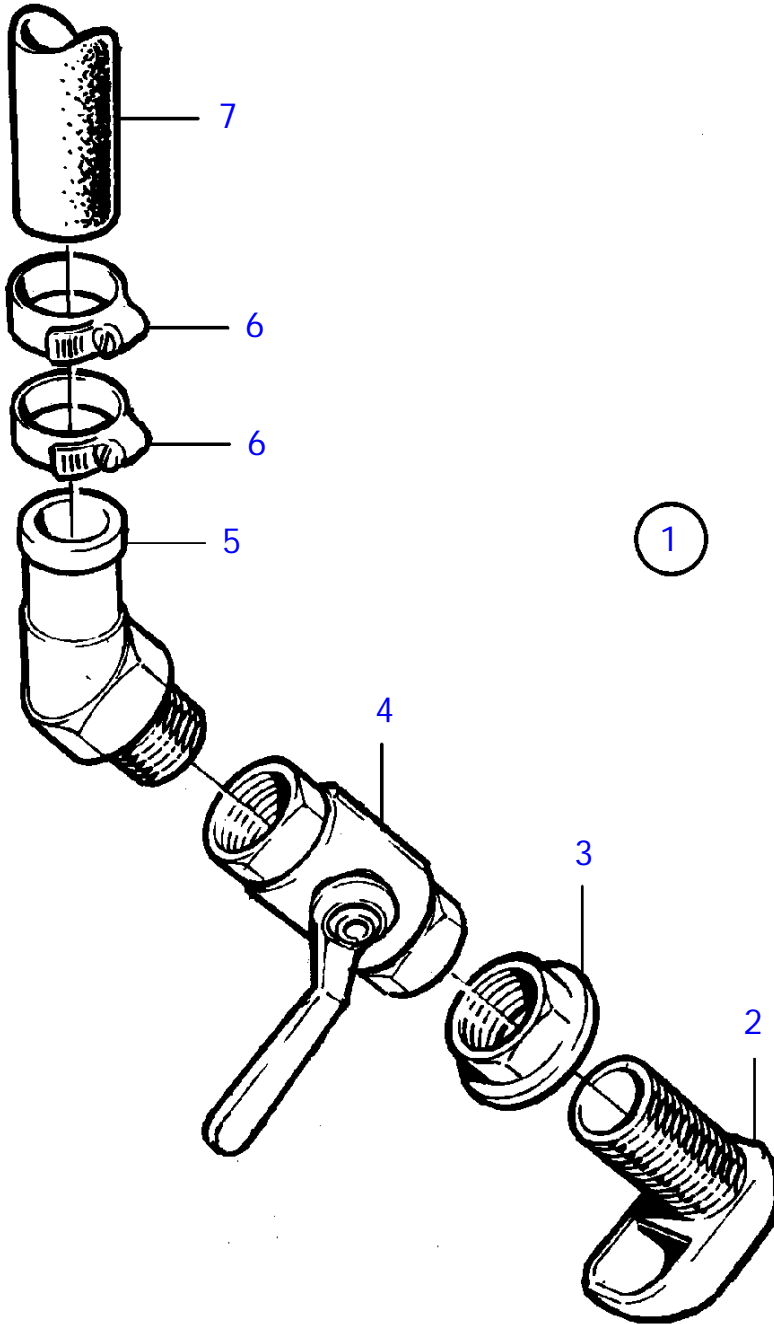
20026

D3-110I-B, D3-110I-C, D3-130A-B, D3-130I-B, D3-130A-C, D3-130I-C, D3-160A-B, D3-160I-B, D3-160A-C, D3-160I-C, D3-190A-B, D3-190I-B, D3-190A-C, D3-190I-C

REF	PART NO.	QTY	DESCRIPTION
1	3588682	1	Hot water output kit
2	3588519	1	* T-nipple
3	961667	2	* Hose clamp
4	961665	1	* Hose clamp
5	8692678	1	Pipe
6	842235	1	Cardboard tube
7	943472	1	Hose clamp
8	982292	1	O-ring
9	968813	1	Flange screw



D3-110I-A, D3-110I-B, D3-110I-C, D3-130I-A, D3-130I-B, D3-130I-C, D3-160I-A, D3-160I-B, D3-160I-C, D3-190I-B, D3-190I-C

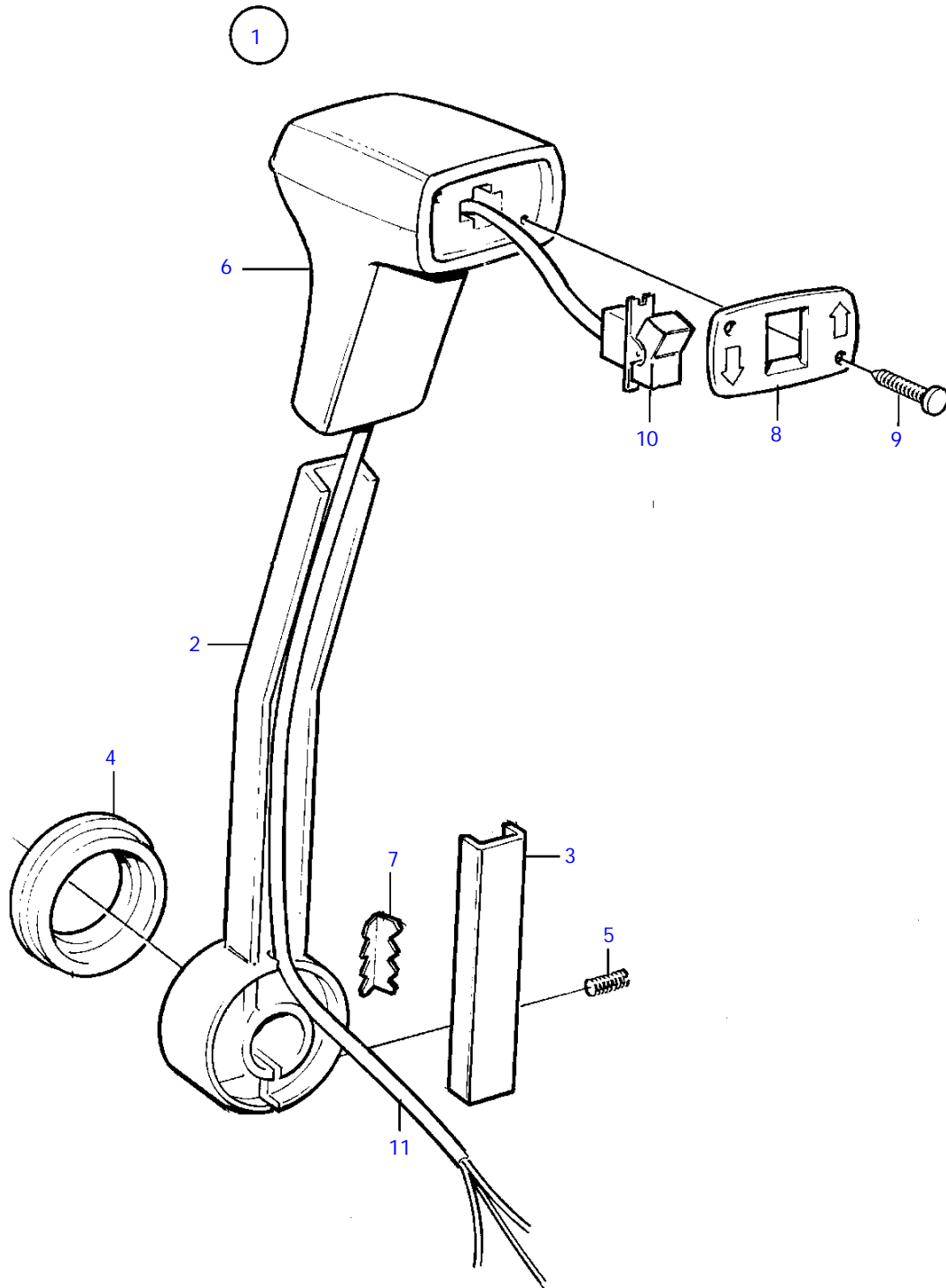


20086

D3-110I-A, D3-110I-B, D3-110I-C, D3-130I-A, D3-130I-B, D3-130I-C, D3-160I-A, D3-160I-B, D3-160I-C, D3-190I-B, D3-190I-C

REF	PART NO.	QTY	DESCRIPTION	NOTES
1	1140129	1	Cooling water inlet	D=32mm
2	836876	1	* Strainer	
3	836879	1	* Nut	
4	1140125	1	* Ball valve	
5	828696	1	* Hose attachment	45°
6	961667	2	* Hose clamp	
7	1140664	X	Exhaust hose	

D3-110I-A, D3-110I-B, D3-110I-C, D3-130A-A, D3-130I-A, D3-130A-B, D3-130I-B, D3-130A-C, D3-130I-C, D3-160A-A, D3-160I-A, D3-160A-B, D3-160I-B, D3-160A-C, D3-160I-C, D3-190A-B, D3-190I-B, D3-190A-C, D3-190I-C



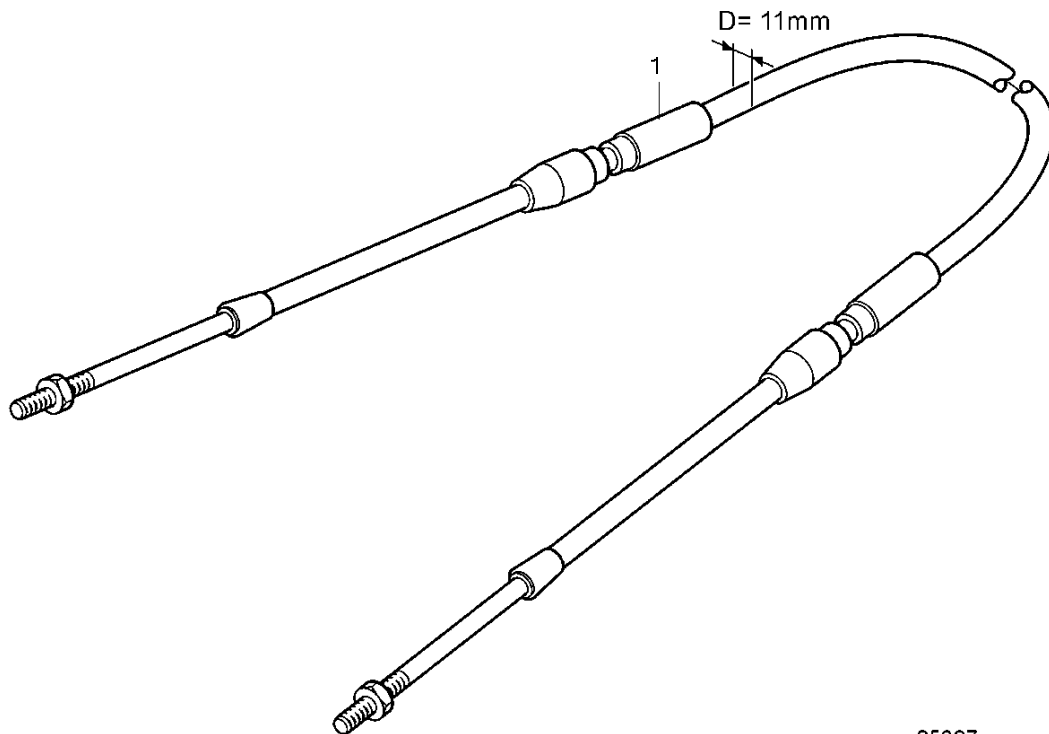
18646

D3-110I-A, D3-110I-B, D3-110I-C, D3-130A-A, D3-130I-A, D3-130A-B, D3-130I-B, D3-130A-C, D3-130I-C, D3-160A-A, D3-160I-A, D3-160A-B, D3-160I-B, D3-160A-C, D3-160I-C, D3-190A-B, D3-190I-B, D3-190A-C, D3-190I-C

REF	PART NO.	QTY	DESCRIPTION
1	21186619	1	Control lever
2	828911	1	* Hand lever
3	852991	1	* Rail
4	852995	1	* Ring
5	963678	1	* Hex. socket screw
6	852989	1	* Handle
7	853000	1	* Striker plate
8	3818553	1	* Connector cap
9	853003	2	* Nail
10	853311	1	* Switch
11	3841734	1	* Cable kit



D3-110I-A, D3-110I-B, D3-110I-C, D3-130A-A, D3-130I-A, D3-130A-B, D3-130I-B, D3-130A-C, D3-130I-C, D3-160A-A,  
D3-160I-A, D3-160A-B, D3-160I-B, D3-160A-C, D3-160I-C, D3-190A-B, D3-190I-B, D3-190A-C, D3-190I-C

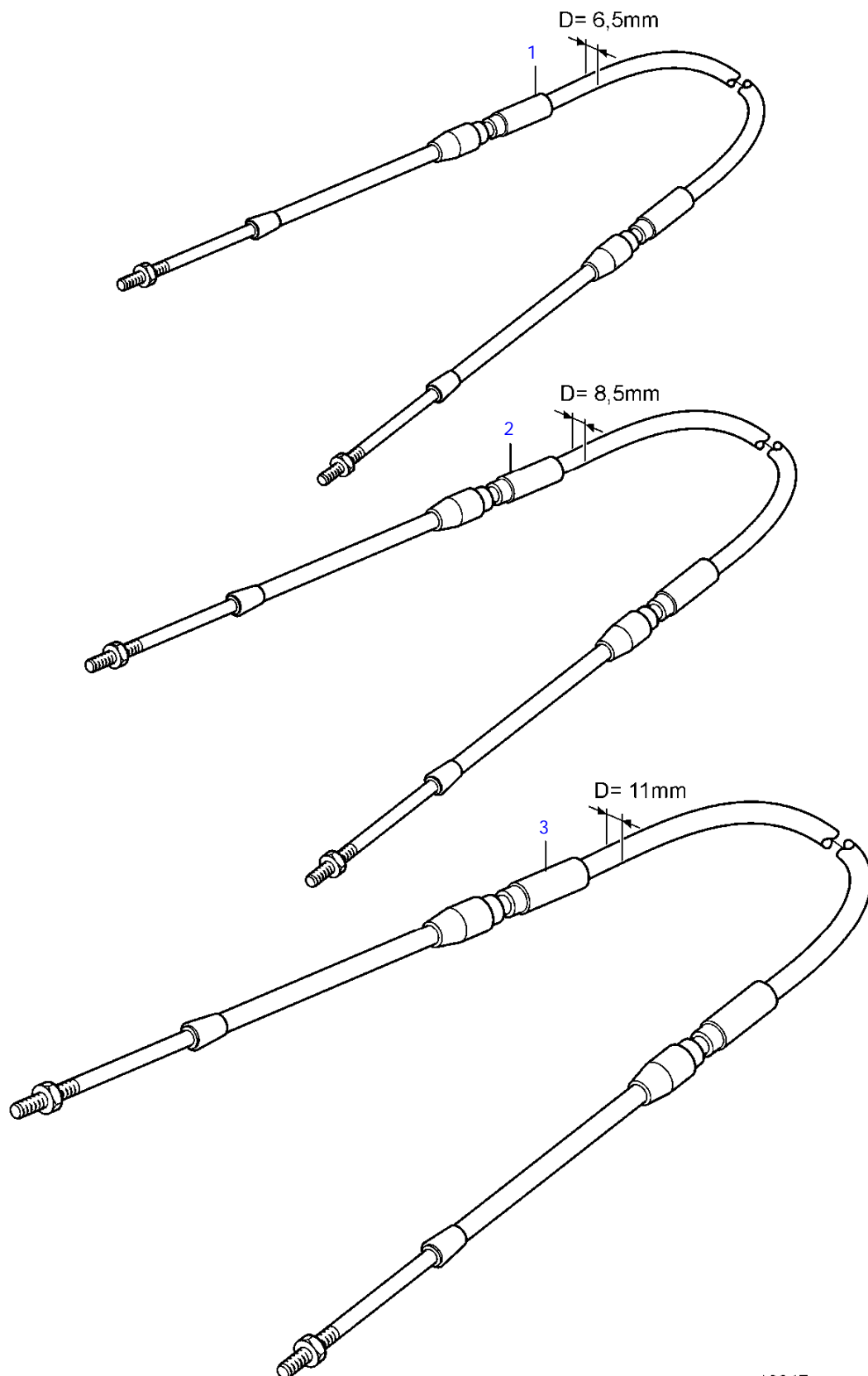


25627

D3-110I-A, D3-110I-B, D3-110I-C, D3-130A-A, D3-130I-A, D3-130A-B, D3-130I-B, D3-130A-C, D3-130I-C, D3-160A-A, D3-160I-A, D3-160A-B, D3-160I-B, D3-160A-C, D3-160I-C, D3-190A-B, D3-190I-B, D3-190A-C, D3-190I-C

REF	PART NO.	QTY	DESCRIPTION	NOTES
1	21633515	1	Control cable	44ft, L=13.40m
	21633516	1	Control cable	45ft, L=13.70m
	21633517	1	Control cable	46ft, L=14.00m
	21633518	1	Control cable	47ft, L=14.30m
	21633519	1	Control cable	48ft, L=14.60m
	21633520	1	Control cable	49ft, L=14.90m
	21633521	1	Control cable	50ft, L=15.20m

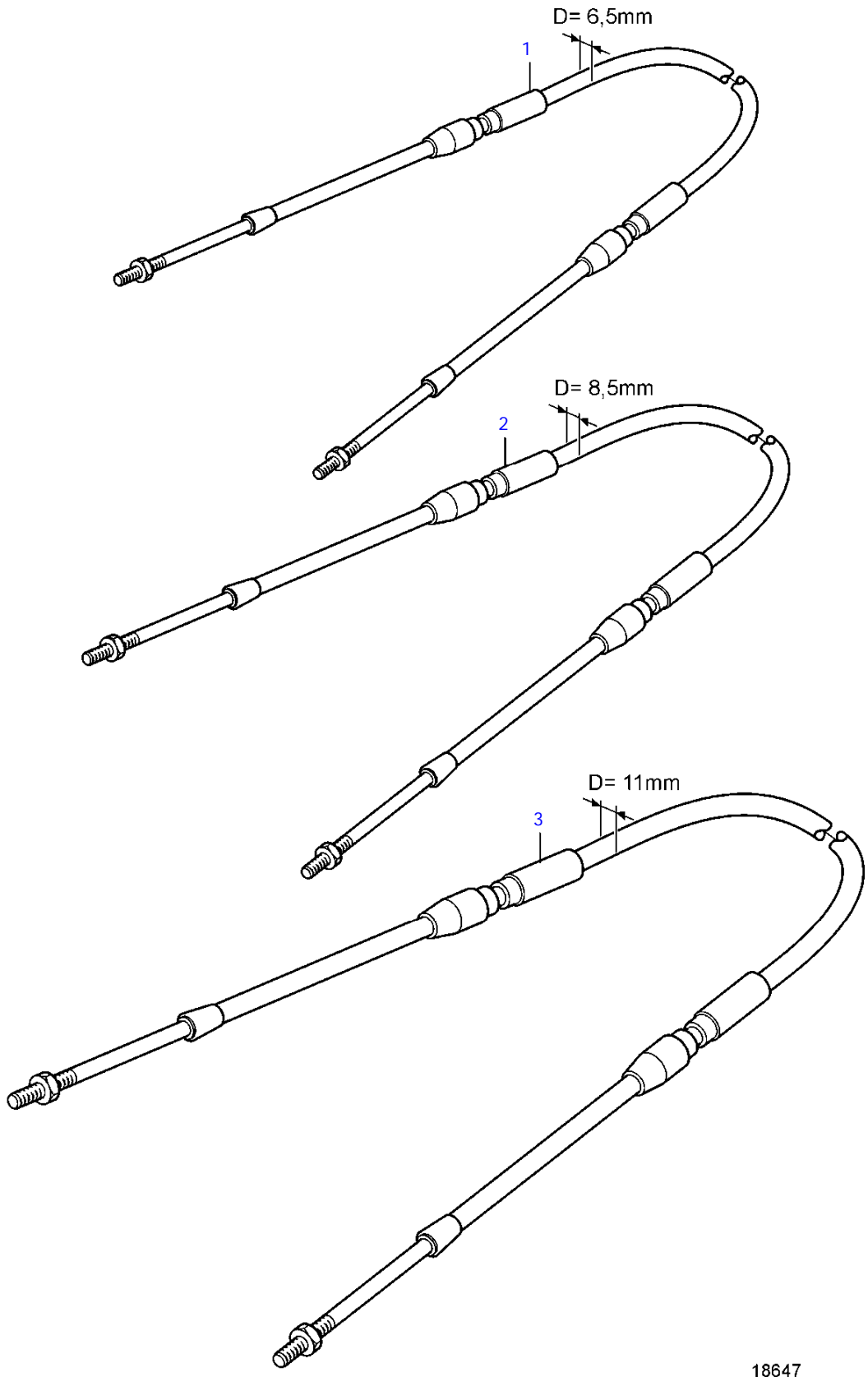
D3-110I-A, D3-110I-B, D3-110I-C, D3-130A-A, D3-130I-A, D3-130A-B, D3-130I-B, D3-130A-C, D3-130I-C, D3-160A-A,  
D3-160I-A, D3-160A-B, D3-160I-B, D3-160A-C, D3-160I-C, D3-190A-B, D3-190I-B, D3-190A-C, D3-190I-C



18647

D3-110I-A, D3-110I-B, D3-110I-C, D3-130A-A, D3-130I-A, D3-130A-B, D3-130I-B, D3-130A-C, D3-130I-C, D3-160A-A, D3-160I-A, D3-160A-B, D3-160I-B, D3-160A-C, D3-160I-C, D3-190A-B, D3-190I-B, D3-190A-C, D3-190I-C

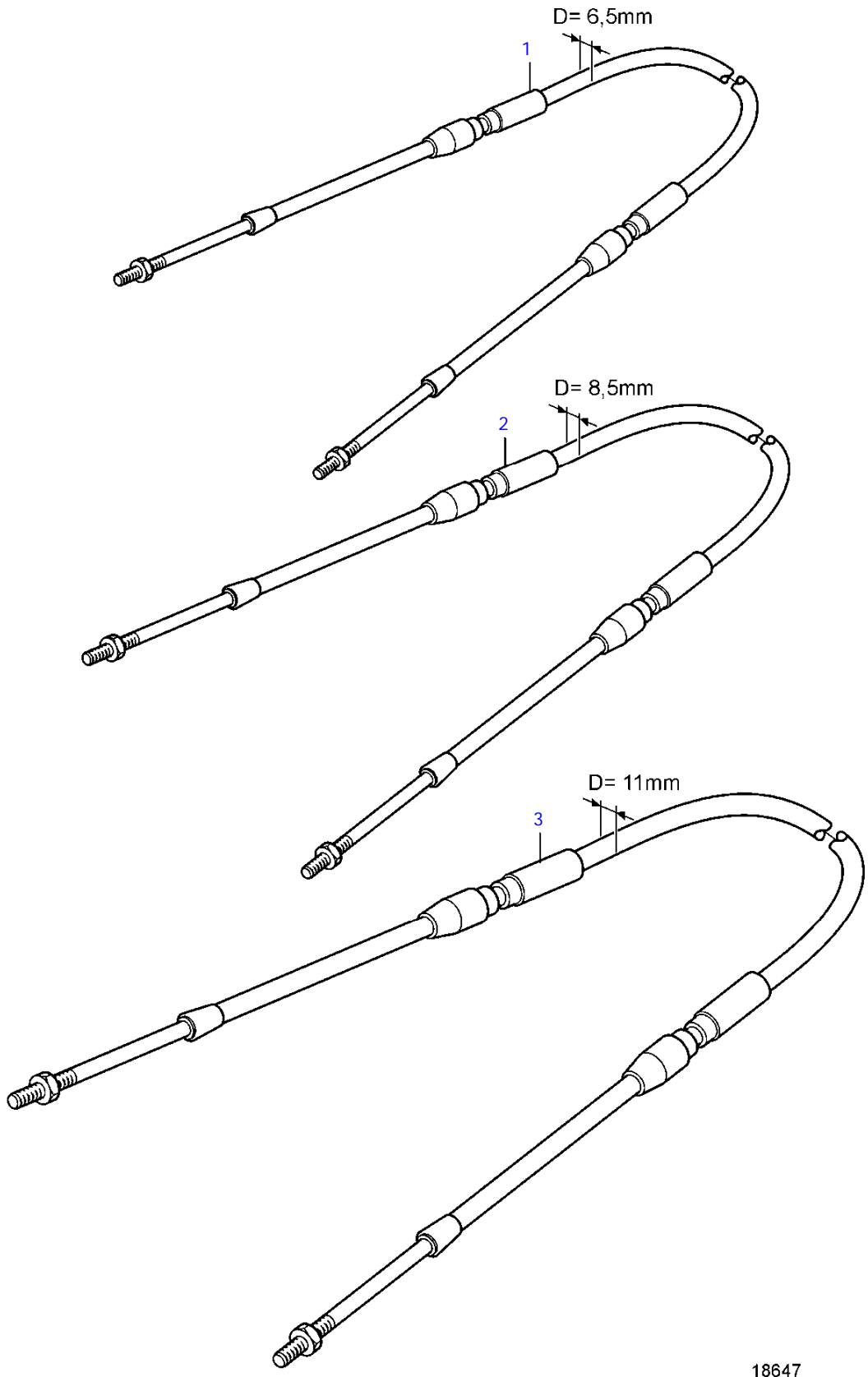
REF	PART NO.	QTY	DESCRIPTION	NOTES
1	1140131	1	Control cable	L=1250mm
	1140132	1	Control cable	L=1500mm
	1140133	1	Control cable	L=1750mm
	(1140134)	1	Control cable	Obsolete part, L=2000mm
	1140135	1	Control cable	L=2250mm
	(1140136)	1	Control cable	Obsolete part, L=2500mm
	(1140137)	1	Control cable	Obsolete part, L=2750mm
	(1140138)	1	Control cable	Obsolete part, L=3000mm
	1140139	1	Control cable	L=3250mm
	1140140	1	Control cable	L=3500mm
	(1140141)	1	Control cable	Obsolete part, L=3750mm
	(1140142)	1	Control cable	Obsolete part, L=4000mm
	(1140143)	1	Control cable	Obsolete part, L=4250mm
	(1140144)	1	Control cable	Obsolete part, L=4500mm
	1140145	1	Control cable	L=4750mm
	(1140146)	1	Control cable	Obsolete part, L=5000mm



18647



REF	PART NO.	QTY	DESCRIPTION	NOTES
2	1140171	1	Control cable	L=1000mm
	1140172	1	Control cable	L=1250mm
	1140173	1	Control cable	L=1500mm
	1140174	1	Control cable	L=1750mm
	1140175	1	Control cable	L=2000mm
	1140176	1	Control cable	L=2250mm
	1140177	1	Control cable	L=2500mm
	1140178	1	Control cable	L=2750mm
	1140179	1	Control cable	L=3000mm
	1140180	1	Control cable	L=3250mm
	1140181	1	Control cable	L=3500mm
	1140182	1	Control cable	L=3750mm
	1140183	1	Control cable	L=4000mm
	1140184	1	Control cable	L=4250mm
	1140185	1	Control cable	L=4500mm
	1140186	1	Control cable	L=4750mm
	1140187	1	Control cable	L=5000mm
	1140188	1	Control cable	L=5250mm
	1140189	1	Control cable	L=5500mm
	1140190	1	Control cable	L=5750mm
	1140191	1	Control cable	L=6000mm
	1140192	1	Control cable	L=6250mm
	1140193	1	Control cable	L=6500mm
	1140194	1	Control cable	L=6750mm
	1140195	1	Control cable	L=7000mm
	1140196	1	Control cable	L=7250mm
	1140197	1	Control cable	L=7500mm
	1140198	1	Control cable	L=7750mm
	1140199	1	Control cable	L=8000mm
	888081	1	Control cable	L=8250mm
	1140200	1	Control cable	L=8500mm
	888082	1	Control cable	L=8750mm
	1140201	1	Control cable	L=9000mm
	888083	1	Control cable	L=9250mm
	1140202	1	Control cable	L=9500mm
	888084	1	Control cable	L=9750mm
	1140203	1	Control cable	L=10000mm
	888085	1	Control cable	L=10250mm
	1140204	1	Control cable	L=10500mm
	888086	1	Control cable	L=10750mm
	1140205	1	Control cable	L=11000mm
	888087	1	Control cable	L=11250mm
	1140206	1	Control cable	L=11500mm
	888088	1	Control cable	L=11750mm
	1140207	1	Control cable	L=12000mm
	888089	1	Control cable	L=12250mm
	1140208	1	Control cable	L=12500mm
	888090	1	Control cable	L=12750mm
	1140209	1	Control cable	L=13000mm

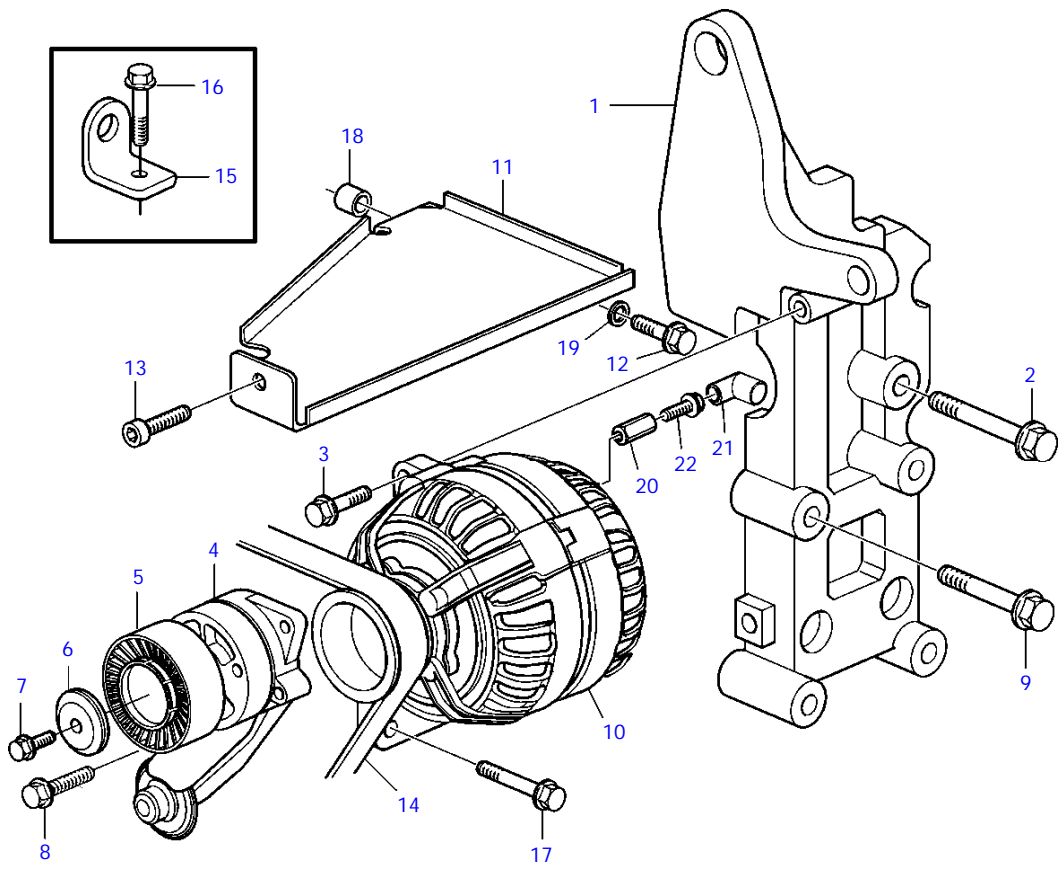


18647

REF	PART NO.	QTY	DESCRIPTION	NOTES
3	(1140101)	1	Control cable	Obsolete part, L=2000mm
	(1140102)	1	Control cable	Obsolete part, L=2500mm
	(1140103)	1	Control cable	Obsolete part, L=3000mm
	(1140104)	1	Control cable	Obsolete part, L=3500mm
	(1140105)	1	Control cable	Obsolete part, L=4000mm
	1140106	1	Control cable	L=4500mm
	(1140107)	1	Control cable	Obsolete part, L=5000mm
	(1140108)	1	Control cable	Obsolete part, L=5500mm
	(1140109)	1	Control cable	Obsolete part, L=6000mm
	(1140110)	1	Control cable	Obsolete part, L=6500mm
	1140111	1	Control cable	L=7000mm
	(1140112)	1	Control cable	Obsolete part, L=7500mm
	(1140113)	1	Control cable	Obsolete part, L=8000mm
	1140114	1	Control cable	L=8500mm
	1140115	1	Control cable	L=9000mm
	(1140116)	1	Control cable	Obsolete part, L=9500mm
	1140117	1	Control cable	L=10000mm
	1140118	1	Control cable	L=11000mm
	(1140119)	1	Control cable	Obsolete part, L=12000mm
	(1140120)	1	Control cable	Obsolete part, L=13000mm
	1140121	1	Control cable	L=14000mm
	(1140122)	1	Control cable	Obsolete part, L=15000mm



D3-110I-A, D3-130A-A, D3-130I-A, D3-160A-A, D3-160I-A

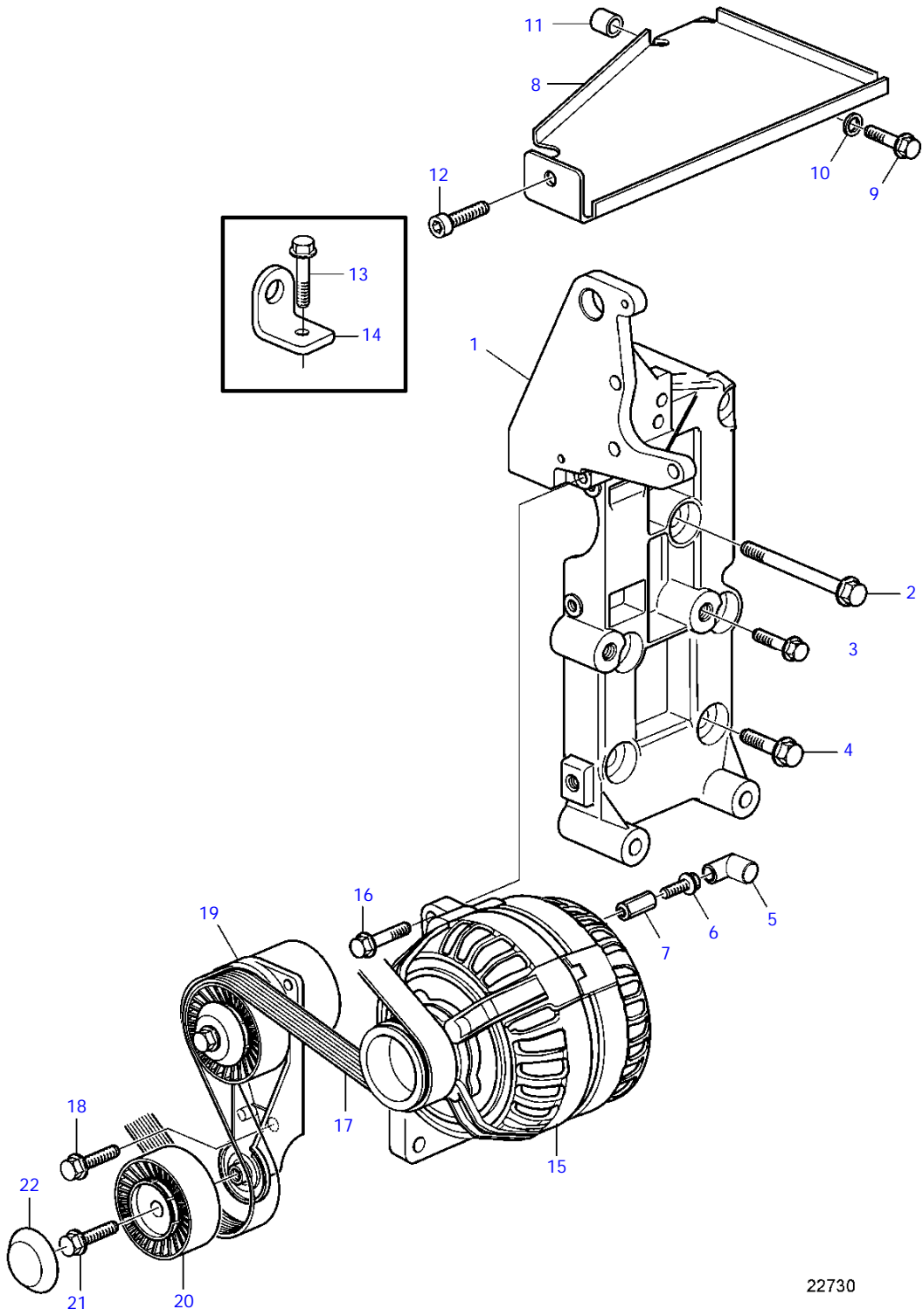


22884

D3-110I-A, D3-130A-A, D3-130I-A, D3-160A-A, D3-160I-A

REF	PART NO.	QTY	DESCRIPTION	NOTES
1	30757168	1	Bracket	(8642196)
2	965182	2	Flange screw	M8x80mm
3	965180	1	Flange screw	M8x60mm
4	30757056	1	Belt tensioner	(30637961), Replaced by 31251252
	31251252	1	Belt tensioner	
5	30637962	1	Idler pulley	(30729939)
6	8653140	1	Cover	
7	987484	1	Flange screw	
8	985463	3	Flange screw	M8x35mm
9	985463	1	Flange screw	M8x35mm
10	3803645	1	Alternator, exch	140A
11	3584444	1	Protecting plate	
12	968842	1	Flange screw	M8x110mm
13	959223	1	Hex. socket screw	
14	30731809	1	Drive belt	(8627228)
15	3840565	1	Lifting eye, rear	
16	965188	1	Flange screw	
17	947760	2	Flange screw	M8x40mm
18	826652	1	Spacer sleeve	
19	980935	1	Spacer sleeve	
20	855314	1	Nut	
21	855798	1	Protecting sleeve	
22	947107	1	Flange screw	M8x12mm

D3-110I-B, D3-130A-B, D3-130I-B



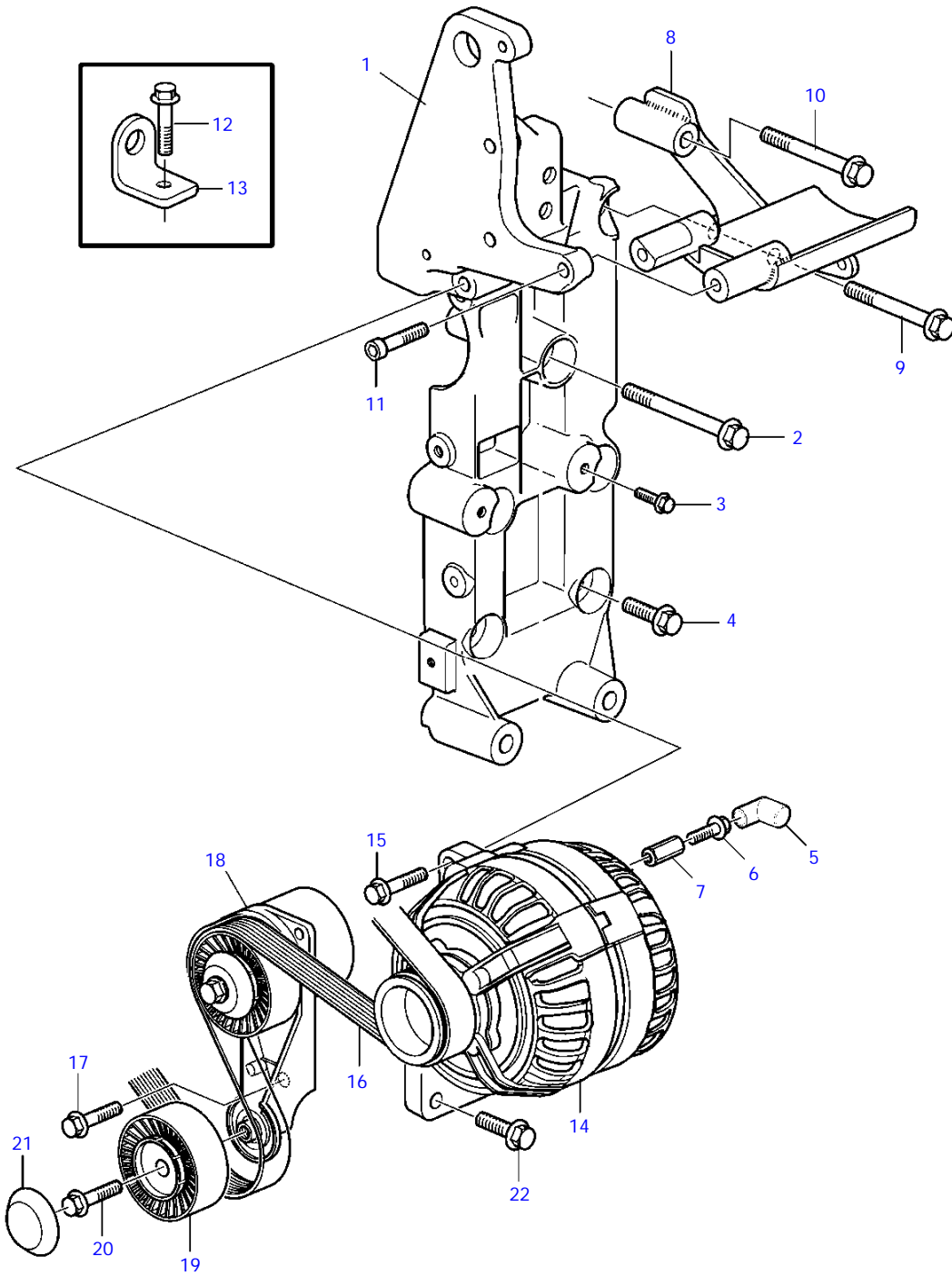
22730



D3-110I-B, D3-130A-B, D3-130I-B

REF	PART NO.	QTY	DESCRIPTION	NOTES
1	30757168	1	Bracket	(30757068)
2	965182	3	Flange screw	
3	984652	3	Flange screw	
4	984651	3	Flange screw	
5	855798	1	Protecting sleeve	
6	947107	1	Flange screw	
7	855314	1	Nut	
8	3884908	1	Kit	
9	968842	1	Flange screw	
10	980935	1	Spacer sleeve	
11	826652	1	Spacer sleeve	
12	959223	1	Hex. socket screw	
13	965188	1	Flange screw	
14	3840565	1	Lifting eye, rear	
15	3803645	1	Alternator, exch	140A
16	965180	1	Flange screw	
17	30731809	1	Drive belt	
18	985463	2	Flange screw	
19	30757056	1	Belt tensioner	SN-2003349808, Replaced by 31251252
	31251252	1	Belt tensioner	SN-2003349808
	30757282	1	Belt tensioner, complete	SN2003349809-, Replaced by 31251251
	31251251	1	Belt tensioner	SN2003349809-
20	30729939	1	Idler pulley	
21	987484	1	Flange screw	
22	8653140	1	Cover	

D3-110I-C, D3-130A-C, D3-130I-C, D3-160A-B, D3-160I-B, D3-160A-C, D3-160I-C, D3-190A-B, D3-190I-B, D3-190A-C, D3-190I-C



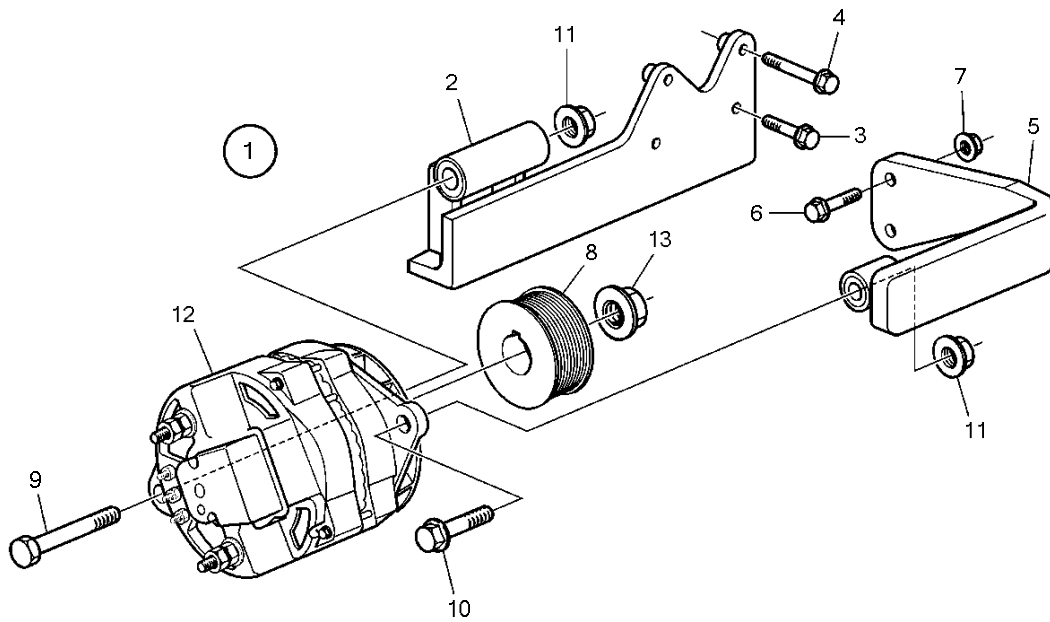
22775

D3-110I-C, D3-130A-C, D3-130I-C, D3-160A-B, D3-160I-B, D3-160A-C, D3-160I-C, D3-190A-B, D3-190I-B, D3-190A-C, D3-190I-C

REF	PART NO.	QTY	DESCRIPTION	NOTES
1	30757168	1	Bracket	(30757068)
2	965182	3	Flange screw	
3	984652	3	Flange screw	
4	984651	3	Flange screw	
5	855798	1	Protecting sleeve	
6	947107	1	Flange screw	
7	855314	1	Nut	
8	3884643	1	Bracket	
9	968999	1	Flange screw	M8x130mm
10	984675	1	Flange screw	
11	947107	1	Flange screw	
12	965188	1	Flange screw	
13	3840565	1	Lifting eye, rear	
14	3803645	1	Alternator, exch	140A
15	965180	1	Flange screw	
16	30731809	1	Drive belt	
17	985463	2	Flange screw	
18	30757056	1	Belt tensioner	SN-2003349808, Replaced by 31251252
	31251252	1	Belt tensioner	SN-2003349808
	30757282	1	Belt tensioner, complete	SN2003349809-, Replaced by 31251251
	31251251	1	Belt tensioner	SN2003349809-
19	30637962	1	Idler pulley	(30729939)
20	987484	1	Flange screw	
21	8653140	1	Cover	
22	947760	2	Flange screw	



D3-110I-A, D3-110I-B, D3-110I-C, D3-130I-A, D3-130I-B, D3-130I-C, D3-160I-A, D3-160I-B, D3-160I-C, D3-190I-B, D3-190I-C



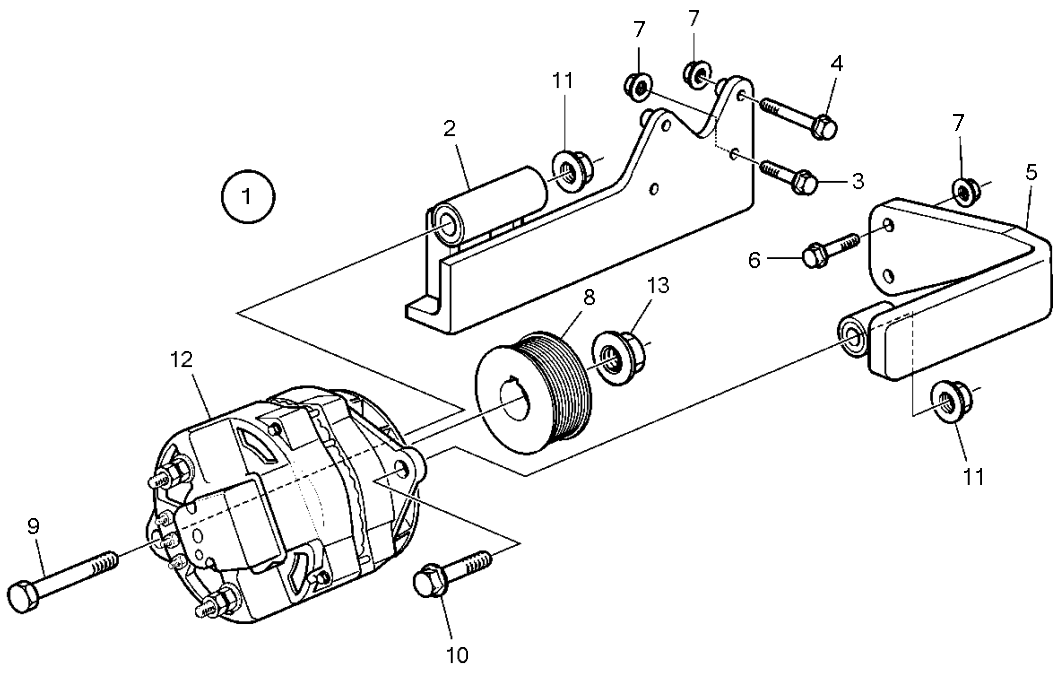
22699

D3-110I-A, D3-110I-B, D3-110I-C, D3-130I-A, D3-130I-B, D3-130I-C, D3-160I-A, D3-160I-B, D3-160I-C, D3-190I-B, D3-190I-C

REF	PART NO.	QTY	DESCRIPTION	SEE SEC.	NOTES
1	3841445	1	Alternator kit	35600	Replaced by 21268949.
			* Bulletin P-32-1-2	P-32-1-2-EN	Extra Alternator Kit, D3 Engines
2	3818520	1	* Bracket	35600	
3	973924	2	* Flange screw		L=50mm
4	984652	2	* Flange screw		L=90mm
5	3818523	1	* Bracket	35600	
6	948217	2	* Flange screw		L=45mm
7	945408	2	* Flange nut		
8	3818325	1	* Pulley		
9	978447	1	* Flange screw		L=150mm
10	965194	1	* Flange screw		L=60mm
11	971096	2	* Flange nut		M12x150mm
12		1	Alternator		
13		1	Nut		



D3-110I-A, D3-110I-B, D3-110I-C, D3-130I-A, D3-130I-B, D3-130I-C, D3-160I-A, D3-160I-B, D3-160I-C, D3-190I-B, D3-190I-C



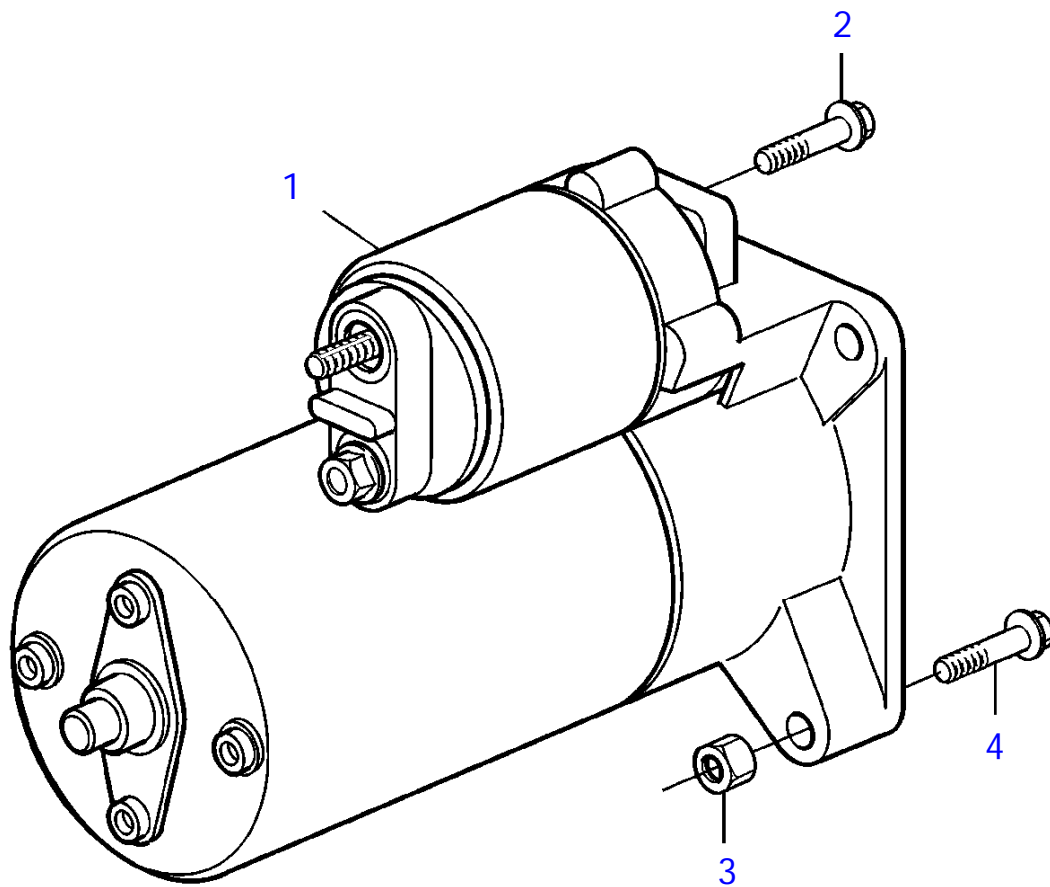
24746



D3-110I-A, D3-110I-B, D3-110I-C, D3-130I-A, D3-130I-B, D3-130I-C, D3-160I-A, D3-160I-B, D3-160I-C, D3-190I-B, D3-190I-C

REF	PART NO.	QTY	DESCRIPTION	NOTES
1	21268949	1	Alternator kit	
2	21190567	1	* Bracket	
3	993609	2	* Stud	L=50mm
4	993610	2	* Stud	L=90mm
5	21190799	1	* Bracket	
6	948217	2	* Flange screw	L=45mm
7	981944	6	* Flange lock nut	
8	3818325	1	* Pulley	
9	978447	1	* Flange screw	L=150mm
10	965194	1	* Flange screw	L=60mm
11	971096	2	* Flange nut	M12x150mm
12		1	Alternator	
13		1	Nut	

D3-110I-A, D3-110I-B, D3-110I-C, D3-130A-A, D3-130I-A, D3-130A-B, D3-130I-B, D3-130A-C, D3-130I-C, D3-160A-A,  
D3-160I-A, D3-160A-B, D3-160I-B, D3-160A-C, D3-160I-C, D3-190A-B, D3-190I-B, D3-190A-C, D3-190I-C



19910

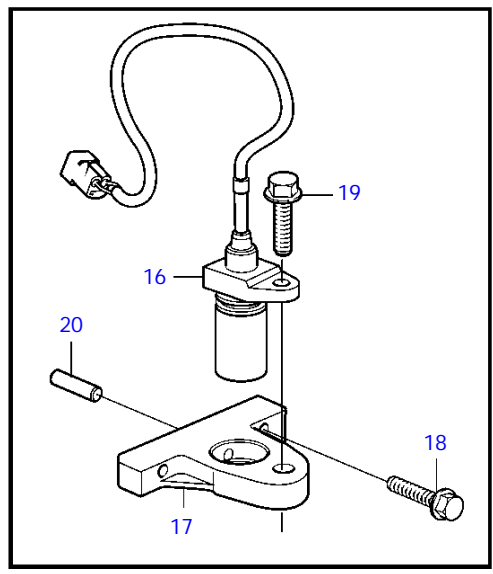
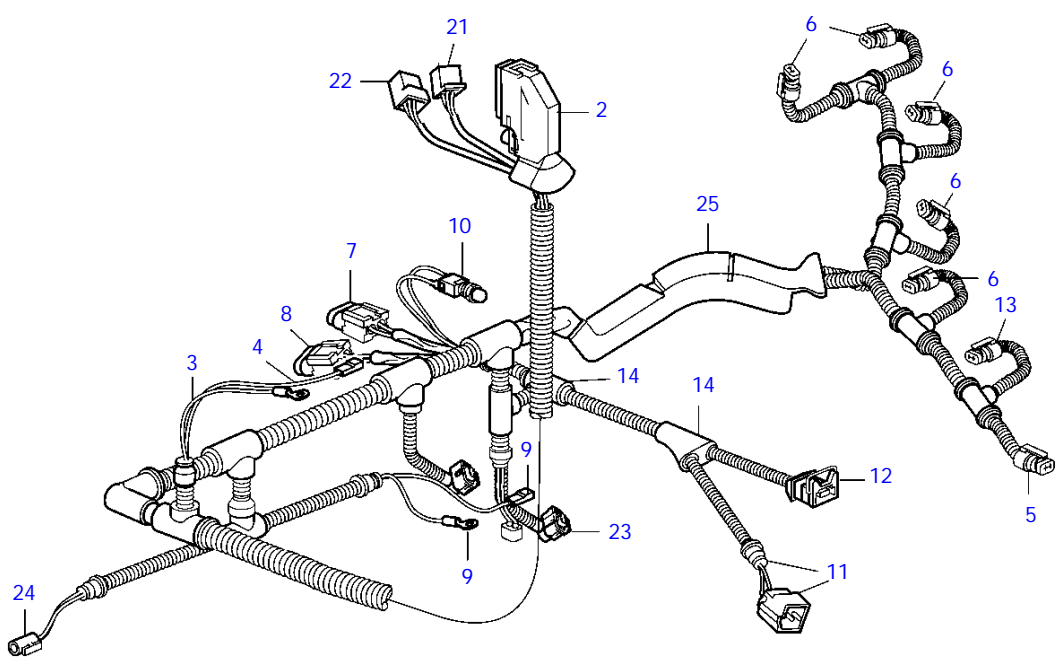
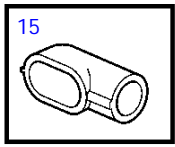
D3-110I-A, D3-110I-B, D3-110I-C, D3-130A-A, D3-130I-A, D3-130A-B, D3-130I-B, D3-130A-C, D3-130I-C, D3-160A-A, D3-160I-A, D3-160A-B, D3-160I-B, D3-160A-C, D3-160I-C, D3-190A-B, D3-190I-B, D3-190A-C, D3-190I-C

REF	PART NO.	QTY	DESCRIPTION	NOTES
1	3801204	1	Starter motor, exch	
2	965185	1	Flange screw	M10x40mm
3	983716	1	Hexagon nut	
4	965186	1	Flange screw	M10x50mm



D3-110I-A, D3-130A-A, D3-130I-A, D3-160A-A, D3-160I-A

1



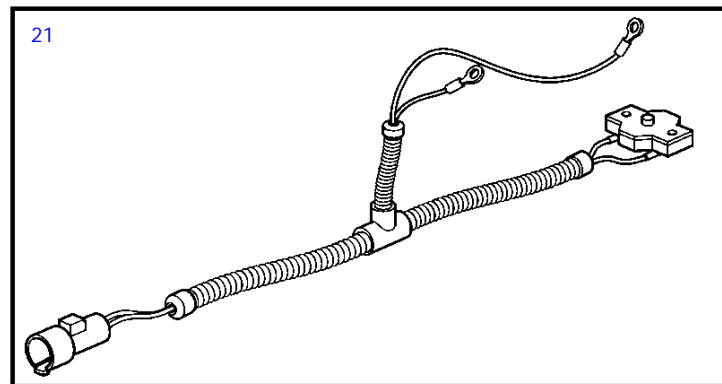
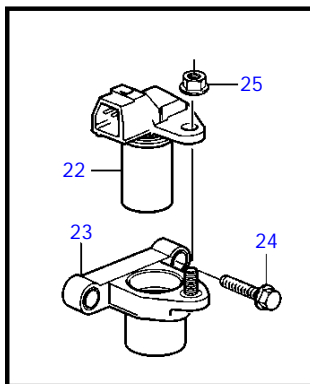
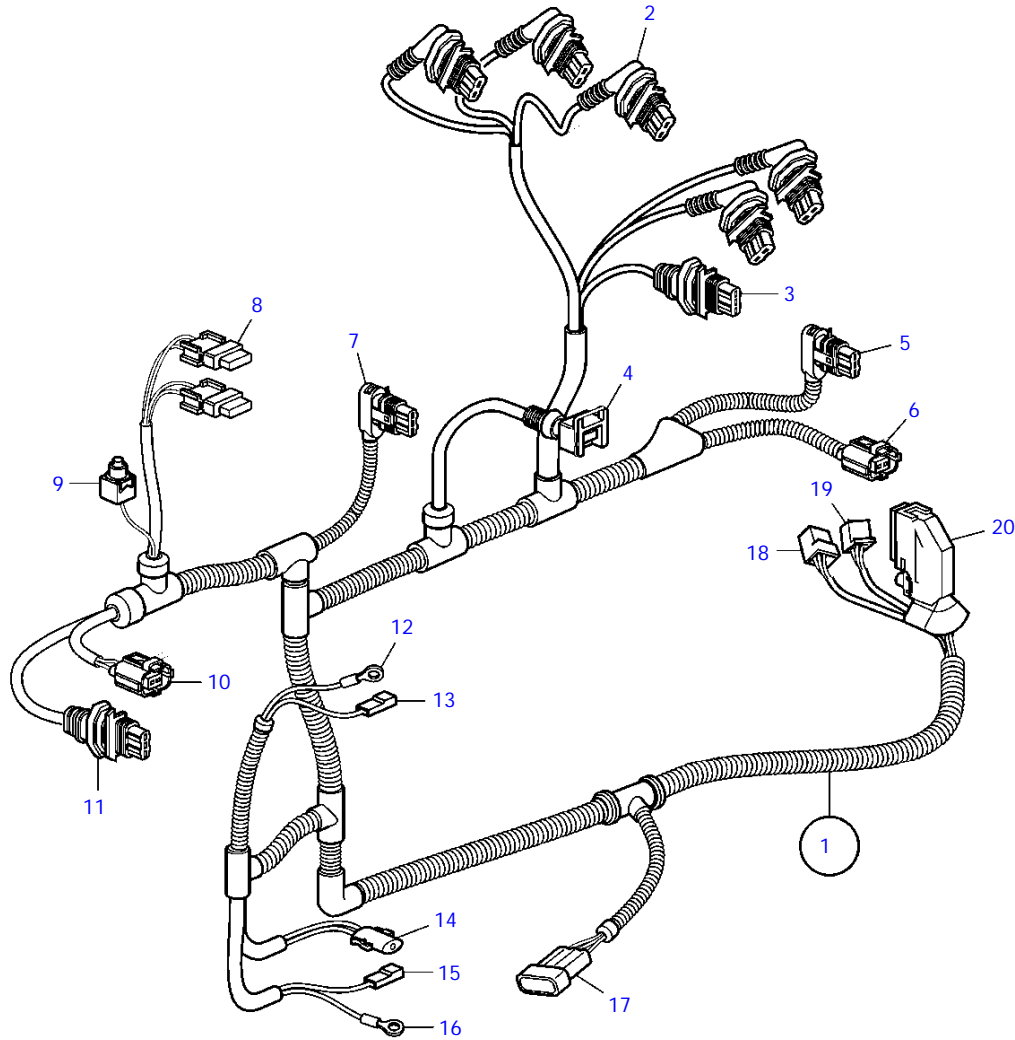
20042



D3-110I-A, D3-130A-A, D3-130I-A, D3-160A-A, D3-160I-A

REF	PART NO.	QTY	DESCRIPTION	NOTES
1	881978	1	Wiring harness	
2	9187012	1	* Clip	
3	970798	1	* Cable terminal, alternator	
4	949597	1	* Housing, alternator	
	973121	1	* Cable terminal, alternator	
5	888693	1	* Adapter, fuel pump	
6	888690	5	* Adapter, fuel injector	
7		1	* Fuse holder	
	874220	1	* Cable terminal	
		1	* Cable seal	
	873854	1	* Sealing sleeve	
	978999	1	* Fuse	
8		1	* Fuse holder	
	874220	1	* Cable terminal	
		1	* Cable seal	
	873854	1	* Sealing sleeve	
	978999	1	* Fuse	
9	881484	1	* Cable terminal, starter motor	
	970798	1	* Cable terminal, starter motor	
10	873959	1	* Breaker, emergency stop	
	828586	1	* Nut, emergency stop	
11	9168792	1	* Housing, rpm	
	11039397	1	* End sleeve, rpm	
12	976256	1	* Housing	
	8142100	1	* Adapter	
13	8622455	1	* Receptacle housing	For camshaft rpm
	874652	1	* Adapter	
14		1	* Coupling	
15	888697	1	* Adapter	
16	1275599	1	Sensor	
17	1275789	1	Bracket	
18	975880	2	Flange screw	
19	946544	1	Flange screw	
20	950562	1	Pin	
21	1212905	1	Housing	Included in cable harness 881978
22	948856	1	Housing	
23	874529	1	Adapter, charge air pressure/temp	
	9456341	1	Receptacle housing, charge air pressure/temp	Included in cable harness 881978
24	1307035	1	Housing, oil pressure	
		1	Cable terminal, oil pressure	
25	9452506	1	Sleeve	

D3-110I-B, D3-110I-C, D3-130A-B, D3-130I-B, D3-130A-C, D3-130I-C, D3-160A-B, D3-160I-B, D3-160A-C, D3-160I-C, D3-190A-B, D3-190I-B, D3-190A-C, D3-190I-C



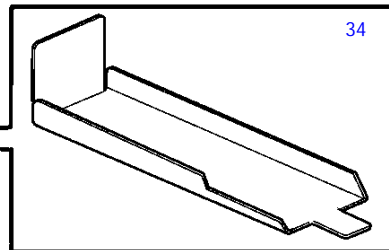
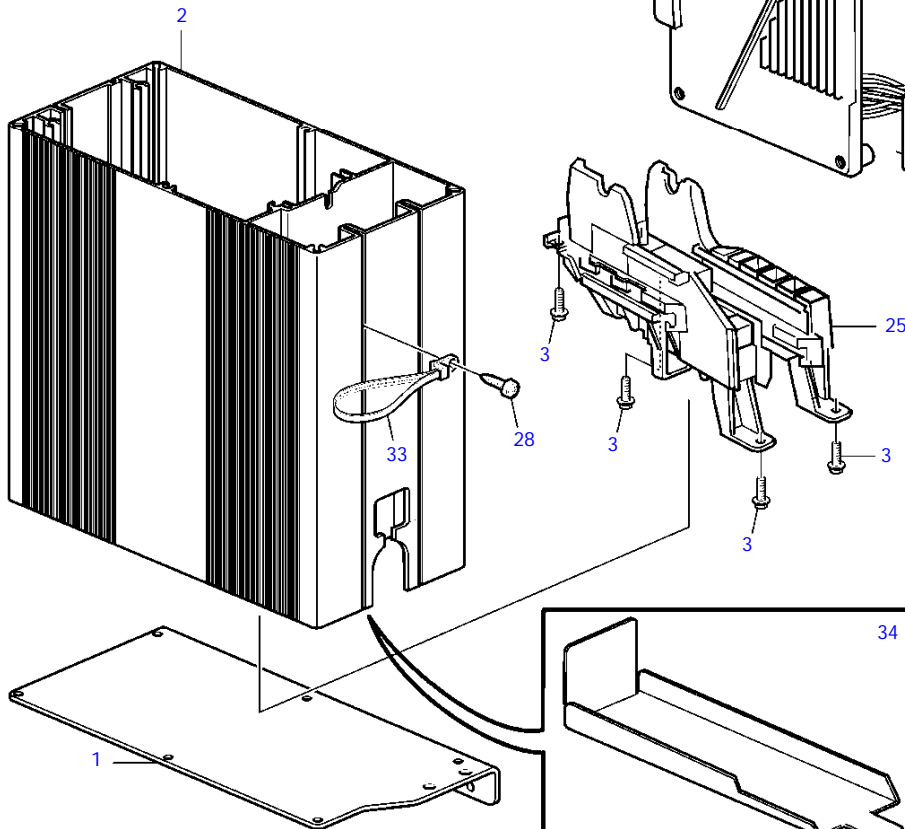
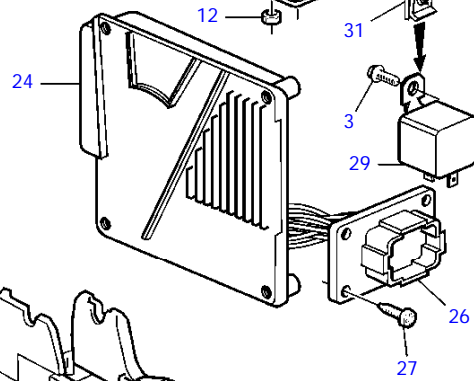
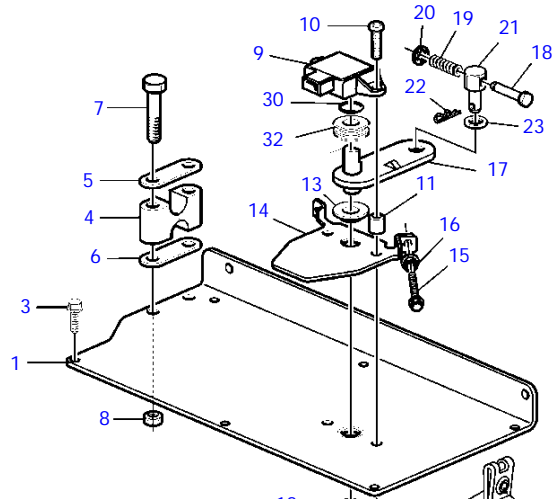
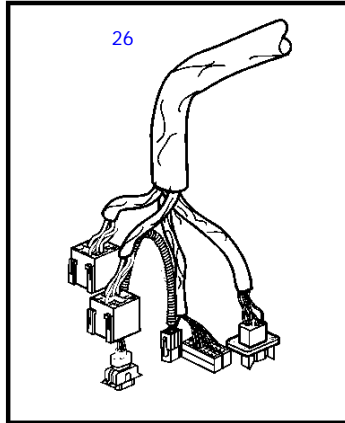
22883

D3-110I-B, D3-110I-C, D3-130A-B, D3-130I-B, D3-130A-C, D3-130I-C, D3-160A-B, D3-160I-B, D3-160A-C, D3-160I-C, D3-190A-B, D3-190I-B, D3-190A-C, D3-190I-C

REF	PART NO.	QTY	DESCRIPTION	NOTES
1	3848963	1	Wiring harness	(3817979)
2	8622454	1	* Receptacle housing	
	(8637824)	2	* Cable terminal	Obsolete part
	979908	2	* Seal	
	3809871	1	* Rubber cap	
3	8622455	1	* Receptacle housing	
	970772	3	* Cable seal	
4	976256	1	* Housing	
	970778	2	* Cable terminal	
	970772	2	* Cable seal	
5	8622454	1	* Receptacle housing	
	(8637824)	2	* Cable terminal	Obsolete part
	970773	2	* Cable seal	
	888693	1	* Adapter	
6	11039397	1	* End sleeve	
	948702	1	* Cable tie	
7	9456341	1	* Receptacle housing	
	970772	4	* Cable seal	
	874529	1	* Adapter	
8		1	* Fuse holder	
	874220	1	* Cable terminal	
		1	* Cable seal	
	873854	1	* Sealing sleeve	
	978999	1	* Fuse	
9	873959	1	* Breaker	Not included in cable harness.
10	9469830	1	* Receptacle housing	
	8637679	2	* Seal	
11	8645258	1	* Receptacle housing	
	970772	3	* Cable seal	
12	970798	1	* Cable terminal	
13	881484	1	* Cable terminal	
	943511	1	* Housing	
14	1307035	1	* Housing	
		1	* Cable terminal	
15	949597	1	* Housing	
	973121	1	* Cable terminal	
16	970798	1	* Cable terminal	
17	874211	1	* Tab housing	
	874212	1	* Lock	
	874213	3	* Cable terminal	
	874214	3	* Cable seal	
	948702	1	* Cable tie	
18	1212905	1	* Housing	
	970746	2	* Cable terminal	
	970745	4	* Cable terminal	
19	948856	1	* Housing	
	881486	2	* Cable terminal	
	949206	2	* Cable terminal	
20	9494934	1	* Cover	
	9187012	1	* Clip	
	9456594	1	* Cover	
	948702	1	* Cable tie	
	9456578	1	* Receptacle housing	
	9442487	32	* Cable terminal	
	9456580	1	* Receptacle housing	
	9456574	1	* Receptacle housing	
	970777	6	* Cable terminal	
21	3587374	1	Wiring harness	For SX drive.
22	30713485	1	Sensor	Replaced by 31331765
	31331765	1	Sensor	
23	30637803	1	Bracket	
24	977814	2	Flange screw	
25	949278	1	Flange lock nut	



D3-110I-A, D3-110I-B, D3-110I-C, D3-130A-A, D3-130I-A, D3-130A-B, D3-130I-B, D3-130A-C, D3-130I-C, D3-160A-A, D3-160I-A, D3-160A-B, D3-160I-B, D3-160A-C, D3-160I-C, D3-190A-B, D3-190I-B, D3-190A-C, D3-190I-C

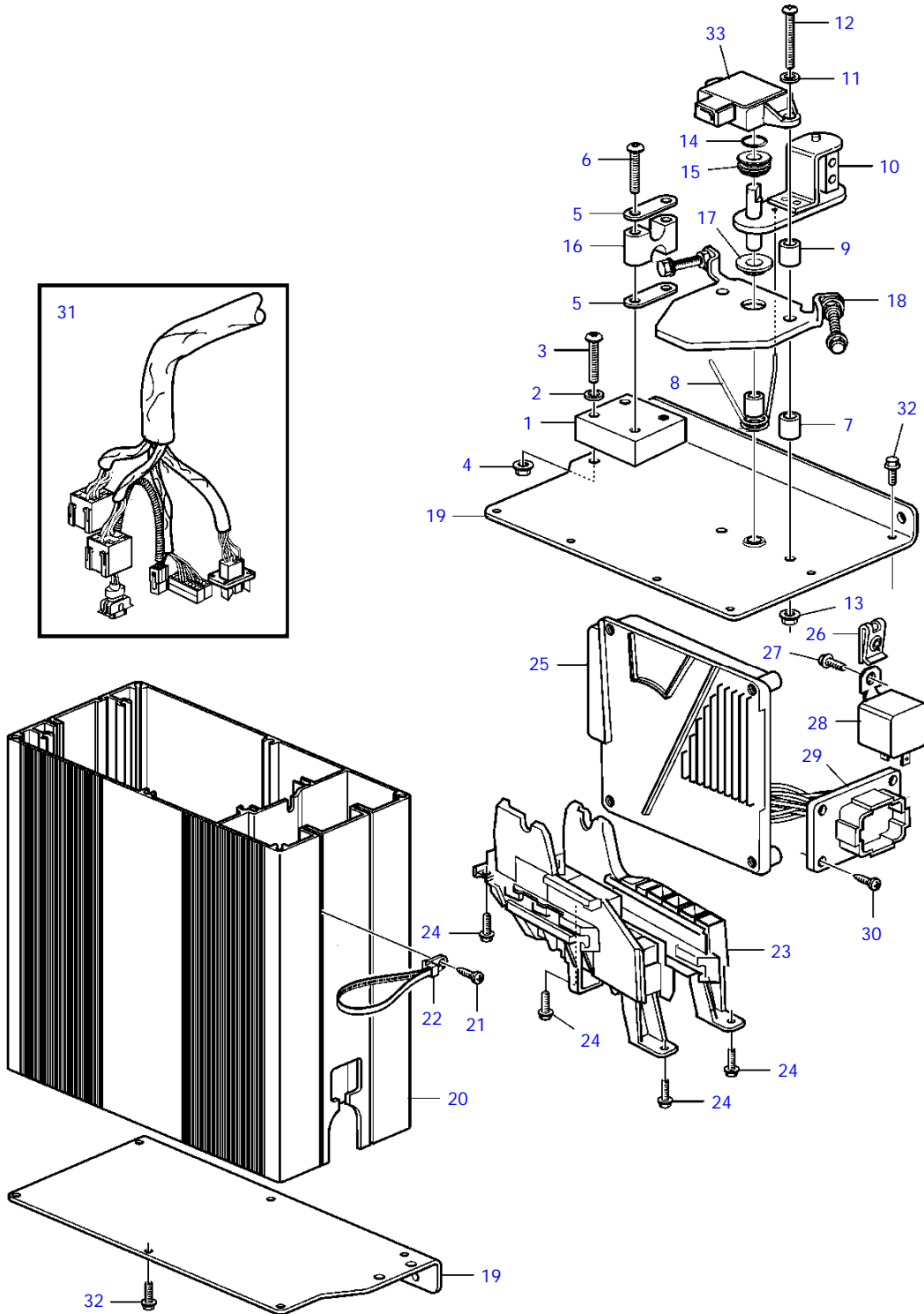
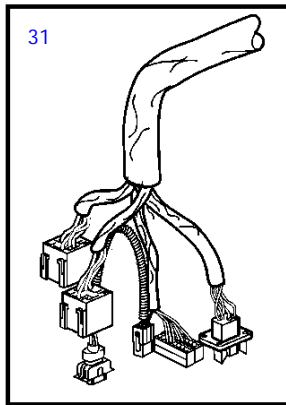


20467

D3-110I-A, D3-110I-B, D3-110I-C, D3-130A-A, D3-130I-A, D3-130A-B, D3-130I-B, D3-130A-C, D3-130I-C, D3-160A-A, D3-160I-A, D3-160A-B, D3-160I-B, D3-160A-C, D3-160I-C, D3-190A-B, D3-190I-B, D3-190A-C, D3-190I-C

REF	PART NO.	QTY	DESCRIPTION	SEE SEC.	NOTES
1	3807834	2	Cardboard tube		
2	3807556	1	Box frame		
3	947493	17	Flange screw		
4	872074	1	Retainer		
5	819068	1	Washer		
6	872076	1	Washer		
7	969439	2	6 point socket screw		
8	949874	2	Flange lock nut		
9	1336385	1	Potentiometer		
10	969558	2	6 point socket screw		
11	3825525	2	Spacer sleeve		
12	963103	2	Lock nut		
13	3829680	1	Bushing		
14	3807844	1	Bracket		
15	947542	2	Flange screw		
16	945407	2	Flange nut		
17	3825366	1	Intermediate lever		
18	814083	1	Adjusting nut		
19	814086	1	Spring		
20	968766	1	Retainer		
21	814085	1	Cube		
22	664822	1	Split pin		
23	955893	1	Washer		
24	3586930	1	Control unit		
			* Bulletin P-36-9-4	P-36-9-4-EN	Diode kit for engine control units on D3/EDC15 engines
24	3586269		Software		Warehouse programming. This p/n can not be ordered, but will be used for invoicing.
	3586268		Software		Vodia-programming. This p/n can not be ordered, but will be used for invoicing.
25	3807843	1	Bracket		
26	3807365	1	Cable kit		
27	969456	4	6 point socket screw		
28	969456	1	6 point socket screw		
29	873740	2	Relay		
30	943342	1	Sealing ring		
31	191391	2	Spring nut		
32	3829681	1	Washer		
33	949666	1	Cable tie		
34	21253185	1	Insulating cover		

D3-110I-A, D3-110I-B, D3-110I-C, D3-130A-A, D3-130I-A, D3-130A-B, D3-130I-B, D3-130A-C, D3-130I-C, D3-160A-A, D3-160I-A, D3-160A-B, D3-160I-B, D3-160A-C, D3-160I-C, D3-190A-B, D3-190I-B, D3-190A-C, D3-190I-C

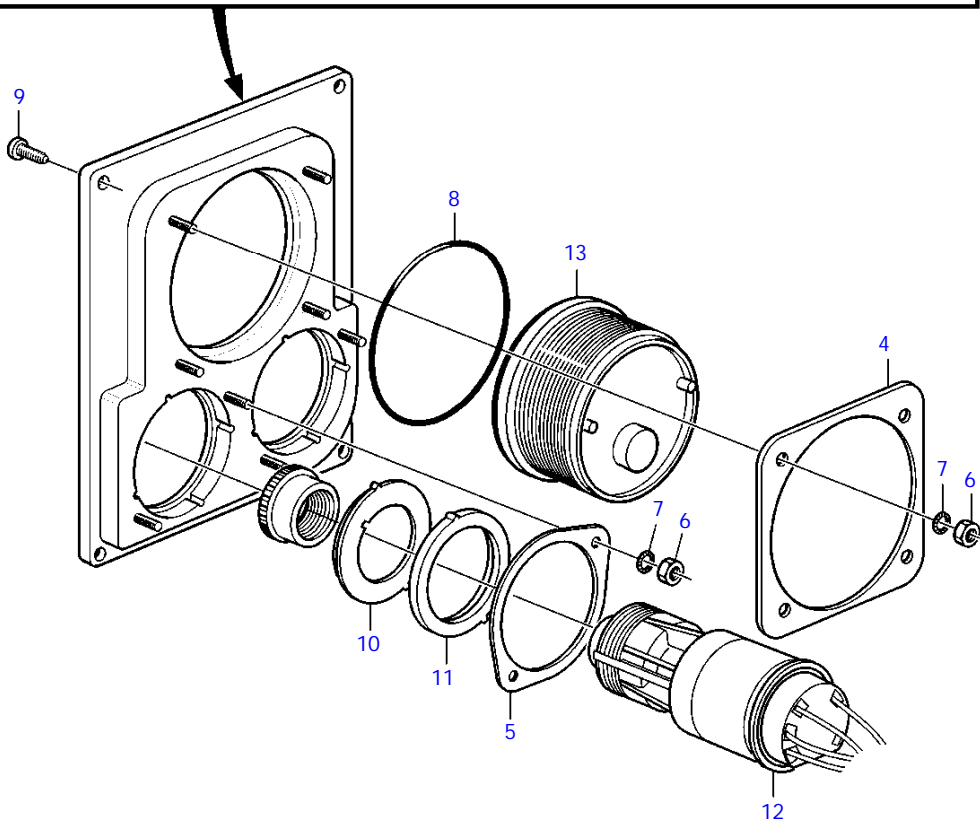
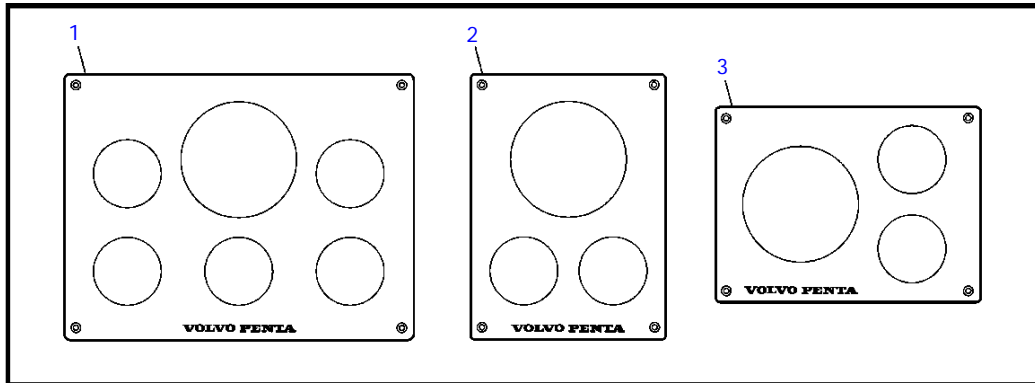


23639

D3-110I-A, D3-110I-B, D3-110I-C, D3-130A-A, D3-130I-A, D3-130A-B, D3-130I-B, D3-130A-C, D3-130I-C, D3-160A-A, D3-160I-A, D3-160A-B, D3-160I-B, D3-160A-C, D3-160I-C, D3-190A-B, D3-190I-B, D3-190A-C, D3-190I-C

REF	PART NO.	QTY	DESCRIPTION	SEE SEC.	NOTES
1	3819195	1	Bracket		
2	940090	2	Washer		
3	969439	2	6 point socket screw		
4	949874	2	Flange lock nut		
5	819068	2	Washer		
6	969439	2	6 point socket screw		
7	847150	3	Spacer sleeve		
8	3883921	1	Spring		
9		2	Spacer sleeve		
10	3812728	1	Intermediate lever		
11	940090	2	Washer		
12	969440	2	6 point socket screw		
13	949874	2	Flange lock nut		
14	943342	1	Sealing ring		
15	3829681	1	Washer		
16	872074	1	Retainer		
17	3829680	1	Bushing		
18	947542	2	Flange screw		
19	3807834	2	Cardboard tube		
20	3807556	1	Box frame		
21	969456	1	6 point socket screw		
22	949666	1	Cable tie		
23	3807843	1	Bracket		
24	947493	6	Flange screw		
25	3586930	1	Control unit		
			* Bulletin P-36-9-4	P-36-9-4-EN	Diode kit for engine control units on D3/EDC15 engines
25	3586269		Software		Warehouse programming. This p/n can not be ordered, but will be used for invoicing.
	3586268		Software		Vodia-programming. This p/n can not be ordered, but will be used for invoicing.
26	191391	2	Spring nut		
27	947493	1	Flange screw		
28	873740	2	Relay		
29	3807365	1	Cable kit		
30	969456	4	6 point socket screw		
31	3807365	1	Cable kit		
32	947493	11	Flange screw		
33	1336385	1	Potentiometer		

D3-110I-A, D3-110I-B, D3-110I-C, D3-130A-A, D3-130I-A, D3-130A-B, D3-130I-B, D3-130A-C, D3-130I-C, D3-160A-A, D3-160I-A, D3-160A-B, D3-160I-B, D3-160A-C, D3-160I-C, D3-190A-B, D3-190I-B, D3-190A-C, D3-190I-C

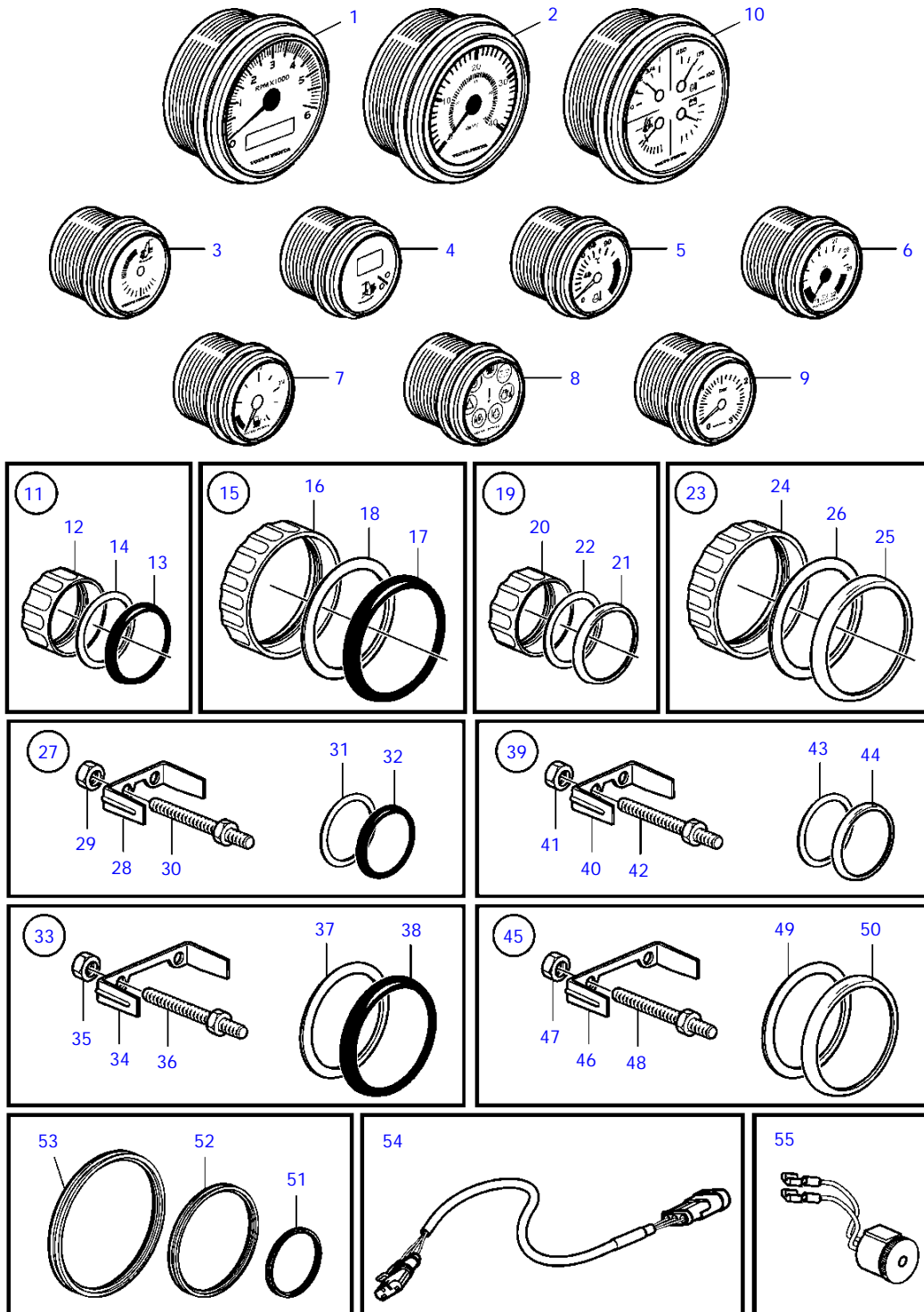


22938

D3-110I-A, D3-110I-B, D3-110I-C, D3-130A-A, D3-130I-A, D3-130A-B, D3-130I-B, D3-130A-C, D3-130I-C, D3-160A-A, D3-160I-A, D3-160A-B, D3-160I-B, D3-160A-C, D3-160I-C, D3-190A-B, D3-190I-B, D3-190A-C, D3-190I-C

REF	PART NO.	QTY	DESCRIPTION	NOTES
1	3589928	1	Instrument panel pla	
2	3589929	1	Instrument panel	
3	3808659	1	Instrument panel	
4	3808692	1	Lock ring	
5	3808693	1	Lock ring	
6	984990	8	Hexagon nut	
7	984991	8	Toothed washer	
8	874843	2	X-ring	D=52mm
	874844	1	X-ring	D=85mm
9	828647	4	Screw	
10	3589932	1	Adapter sleeve	
11	3809239	1	Adapter sleeve	
12		X	Lock, ignition	
13		X	Instrument	

D3-110I-A, D3-110I-B, D3-130A-A, D3-130I-A, D3-130A-B, D3-130I-B, D3-160A-A, D3-160I-A, D3-160A-B, D3-160I-B, D3-190A-B, D3-190I-B



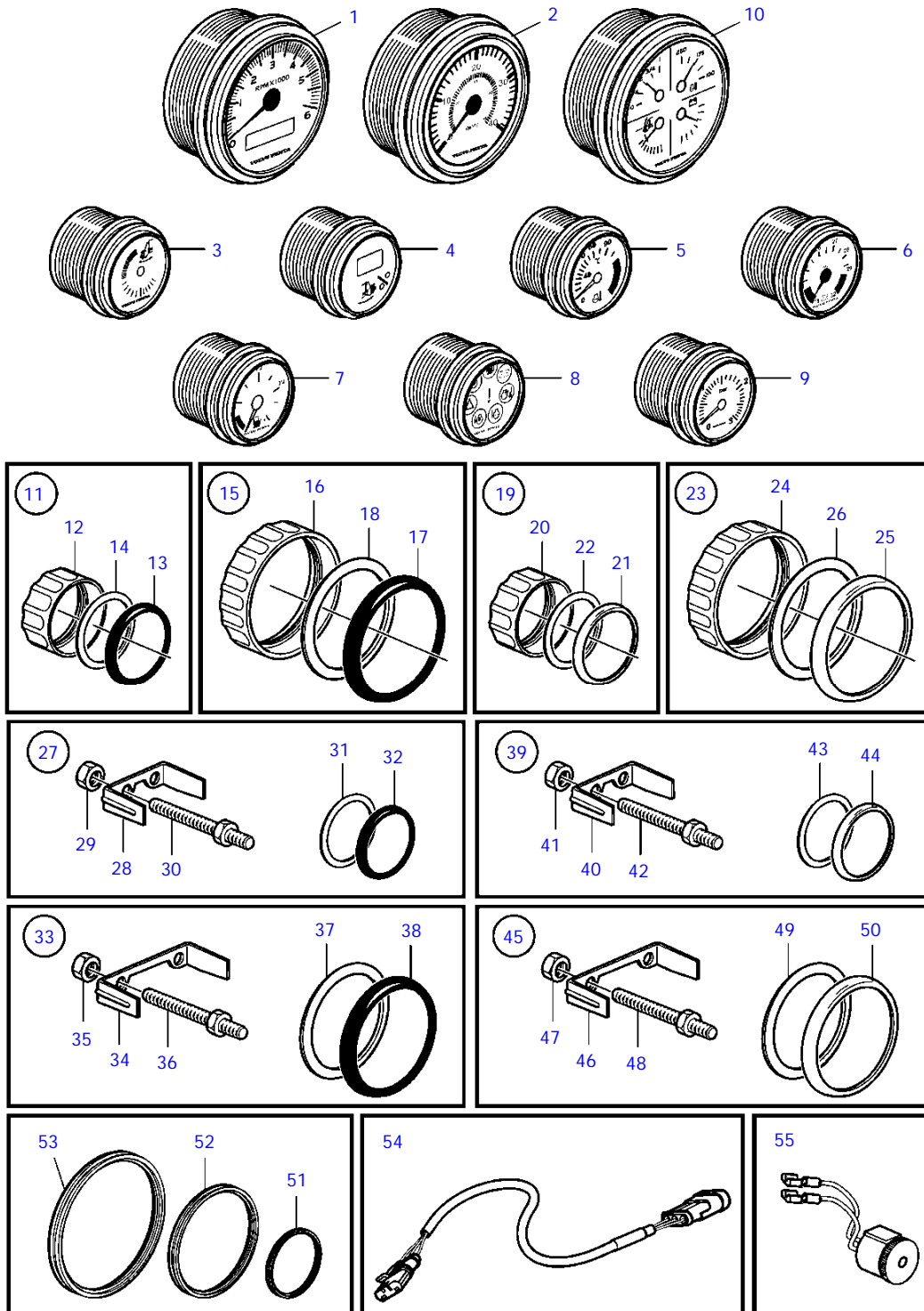
23768

D3-110I-A, D3-110I-B, D3-130A-A, D3-130I-A, D3-130A-B, D3-130I-B, D3-160A-A, D3-160I-A, D3-160A-B, D3-160I-B, D3-190A-B, D3-190I-B

REF	PART NO.	QTY	DESCRIPTION	SEE SEC.	NOTES
1	881647	1	Tachometer		Engine speed/hours, Black D=85mm
	881653	1	Tachometer		Engine speed/hours, White D=85mm
	3586222	1	Kit		Engine speed/hours, text messages, Black D=85mm
	3586223	1	Kit		Engine speed/hours, text messages, White D=85mm
2	874916	1	Speedometer		Black 0-20 knots
	874917	1	Speedometer		Black 0-40 knots
	874929	1	Speedometer		White 0-20 Knots
	874930	1	Speedometer		White 0-40 Knots
3	3812881	1	Instrument		Black analog
	3812911	1	Instrument		White analog
4	881648	1	Trimmer		Black digital
	881654	1	Trimmer		White digital
5	874904	1	Thermometer, coolant water		Black 0-120°C
	874921	1	Thermometer, coolant water		White 0-120°C
	874918	1	Thermometer, coolant water		Black 40-250 °F
	874931	1	Thermometer, coolant water		White 40-250 °F
6	881649	1	Voltmeter		Black
	881658	1	Voltmeter		White
7	874914	1	Fuel gauge		Black D=52mm
	874926	1	Fuel gauge		White D=52mm
8	874915	1	Instrument, alarm		Black D=52mm
	874927	1	Instrument, alarm		White D=52mm
9	874910	1	Turbo pressure gauge		Black 0-3 bar
	874920	1	Turbo pressure gauge		Black 0-45 psi
	874924	1	Turbo pressure gauge		White 0-3 bar
	874933	1	Turbo pressure gauge		White 0-45 psi
10	3885214	1	Instrument		Four in one gauge (oil pressure, coolant temp, fuel level, volt meter)
			* Bulletin P-36-9-3	P-36-9-3-EN	New products in the EVC family
10	3885215	1	Instrument		Four in one gauge (trim analog, coolant temp, fuel level, volt meter)
			* Bulletin P-36-9-3	P-36-9-3-EN	New products in the EVC family
11	874709	1	Mounting kit		Black D=52mm
12	874450	1	* Attaching ring		
13	874448	1	* Ring		
14	874707	1	* Gasket		
15	874708	1	Mounting kit		Black D=85mm
16	874449	1	* Attaching ring		
17	874447	1	* Ring		
18	874706	1	* Gasket		
19	874733	1	Mounting kit		Chrome D=52mm
20	874450	1	* Attaching ring		
21	874731	1	* Ring		
22	874707	1	* Gasket		
23	874732	1	Mounting kit		Chrome D=85mm
24	874449	1	* Attaching ring		
25	874730	1	* Ring		
26	874706	1	* Gasket		
27	881611	1	Brace kit		Black D=52mm
28	881607	1	* Brace		
29	881610	2	* Nut		
30	881609	2	* Stud		
31	874707	1	* Gasket		
32	874448	1	* Ring		
33	881612	1	Brace kit		Black D=85mm
34	881608	1	* Brace		
35	881610	2	* Nut		
36	881609	2	* Stud		
37	874706	1	* Gasket		
38	874447	1	* Ring		
39	881613	1	Brace kit		Chrome D=52mm
40	881607	1	* Brace		
41	881610	2	* Nut		
42	881609	2	* Stud		
43	874707	1	* Gasket		
44	874731	1	* Ring		
45	881614	1	Brace kit		Chrome D=85mm
46	881608	1	* Brace		
47	881610	2	* Nut		
48	881609	2	* Stud		
49	874706	1	* Gasket		
50	874730	1	* Ring		
51	874843	1	X-ring, sealing		For flush mounting., D=52mm
52	874844	1	X-ring, sealing		For flush mounting., D=85mm
53	3886791	1	X-ring		For flush mounting., D=110mm
			* Bulletin P-36-9-3	P-36-9-3-EN	New products in the EVC family
54	874759	1	Extension cable'vert, instrument		L=1000mm
55	3817974	1	Alarm		



D3-110I-A, D3-110I-B, D3-130A-A, D3-130I-A, D3-130A-B, D3-130I-B, D3-160A-A, D3-160I-A, D3-160A-B, D3-160I-B, D3-190A-B, D3-190I-B

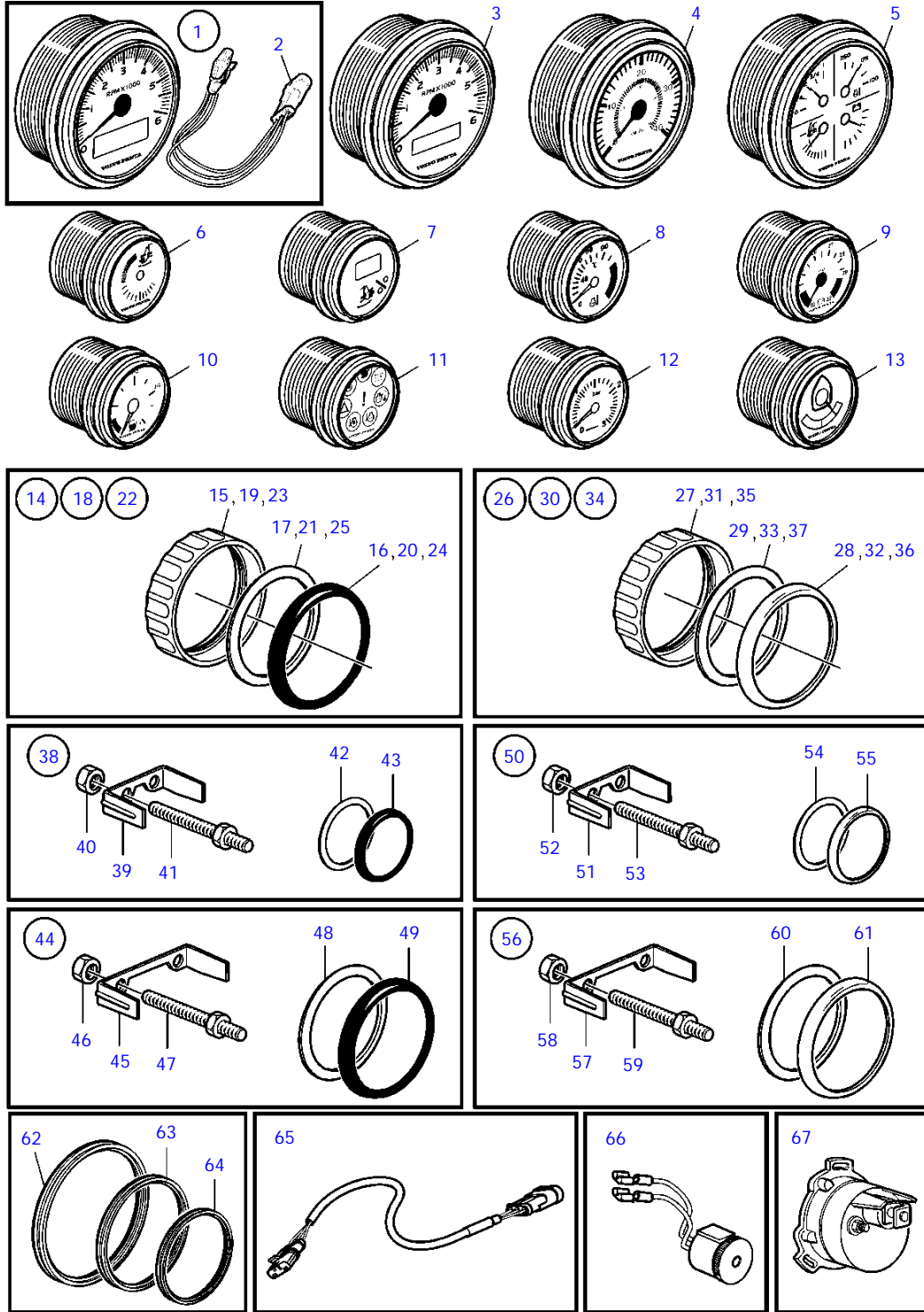


23768

D3-110I-A, D3-110I-B, D3-130A-A, D3-130I-A, D3-130A-B, D3-130I-B, D3-160A-A, D3-160I-A, D3-160A-B, D3-160I-B, D3-190A-B, D3-190I-B

REF	PART NO.	QTY	DESCRIPTION	SEE SEC.	NOTES
1	881647	1	Tachometer		Engine speed/hours, Black D=85mm
	881653	1	Tachometer		Engine speed/hours, White D=85mm
	3586222	1	Kit		Engine speed/hours, text messages, Black D=85mm
	3586223	1	Kit		Engine speed/hours, text messages, White D=85mm
2	874916	1	Speedometer		Black 0-20 knots
	874917	1	Speedometer		Black 0-40 knots
	874929	1	Speedometer		White 0-20 Knots
	874930	1	Speedometer		White 0-40 Knots
3	3812881	1	Instrument		Black analog
	3812911	1	Instrument		White analog
4	881648	1	Trimmer		Black digital
	881654	1	Trimmer		White digital
5	874904	1	Thermometer, coolant water		Black 0-120°C
	874921	1	Thermometer, coolant water		White 0-120°C
	874918	1	Thermometer, coolant water		Black 40-250 °F
	874931	1	Thermometer, coolant water		White 40-250 °F
6	881649	1	Voltmeter		Black
	881658	1	Voltmeter		White
7	874914	1	Fuel gauge		Black D=52mm
	874926	1	Fuel gauge		White D=52mm
8	874915	1	Instrument, alarm		Black D=52mm
	874927	1	Instrument, alarm		White D=52mm
9	874910	1	Turbo pressure gauge		Black 0-3 bar
	874920	1	Turbo pressure gauge		Black 0-45 psi
	874924	1	Turbo pressure gauge		White 0-3 bar
	874933	1	Turbo pressure gauge		White 0-45 psi
10	3885214	1	Instrument		Four in one gauge (oil pressure, coolant temp, fuel level, volt meter)
			* Bulletin P-36-9-3	P-36-9-3-EN	New products in the EVC family
10	3885215	1	Instrument		Four in one gauge (trim analog, coolant temp, fuel level, volt meter)
			* Bulletin P-36-9-3	P-36-9-3-EN	New products in the EVC family
11	874709	1	Mounting kit		Black D=52mm
12	874450	1	* Attaching ring		
13	874448	1	* Ring		
14	874707	1	* Gasket		
15	874708	1	Mounting kit		Black D=85mm
16	874449	1	* Attaching ring		
17	874447	1	* Ring		
18	874706	1	* Gasket		
19	874733	1	Mounting kit		Chrome D=52mm
20	874450	1	* Attaching ring		
21	874731	1	* Ring		
22	874707	1	* Gasket		
23	874732	1	Mounting kit		Chrome D=85mm
24	874449	1	* Attaching ring		
25	874730	1	* Ring		
26	874706	1	* Gasket		
27	881611	1	Brace kit		Black D=52mm
28	881607	1	* Brace		
29	881610	2	* Nut		
30	881609	2	* Stud		
31	874707	1	* Gasket		
32	874448	1	* Ring		
33	881612	1	Brace kit		Black D=85mm
34	881608	1	* Brace		
35	881610	2	* Nut		
36	881609	2	* Stud		
37	874706	1	* Gasket		
38	874447	1	* Ring		
39	881613	1	Brace kit		Chrome D=52mm
40	881607	1	* Brace		
41	881610	2	* Nut		
42	881609	2	* Stud		
43	874707	1	* Gasket		
44	874731	1	* Ring		
45	881614	1	Brace kit		Chrome D=85mm
46	881608	1	* Brace		
47	881610	2	* Nut		
48	881609	2	* Stud		
49	874706	1	* Gasket		
50	874730	1	* Ring		
51	874843	1	X-ring, sealing		For flush mounting., D=52mm
52	874844	1	X-ring, sealing		For flush mounting., D=85mm
53	3886791	1	X-ring		For flush mounting., D=110mm
			* Bulletin P-36-9-3	P-36-9-3-EN	New products in the EVC family
54	874759	1	Extension cable'vert, instrument		L=1000mm
55	3817974	1	Alarm		

D3-110I-C, D3-130A-C, D3-130I-C, D3-160A-C, D3-160I-C, D3-190A-C, D3-190I-C



23769

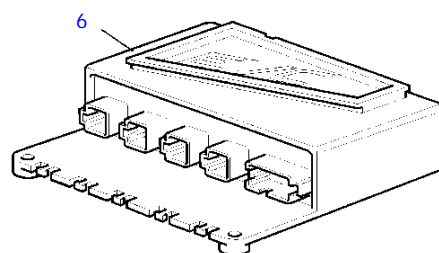
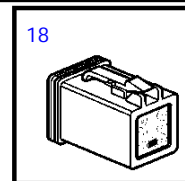
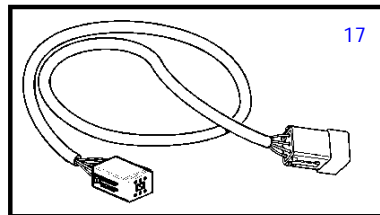
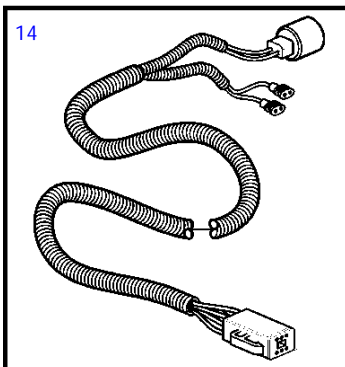
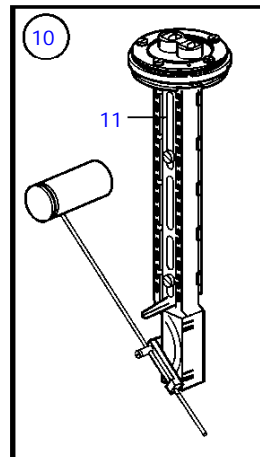
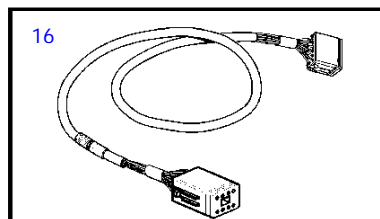
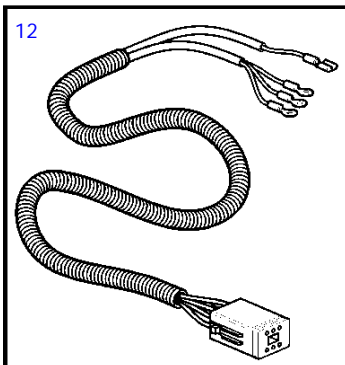
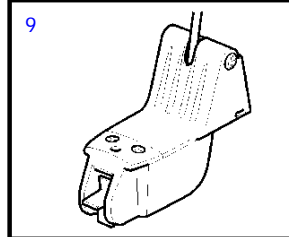
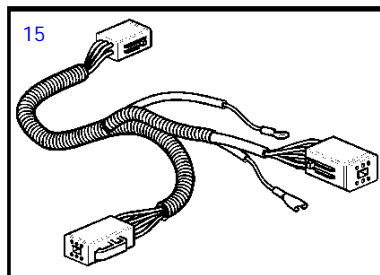
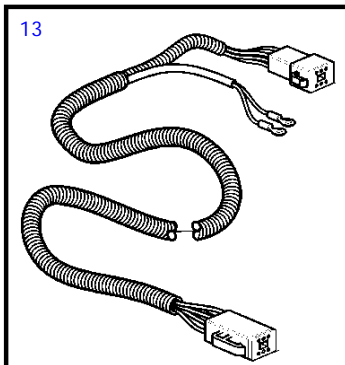
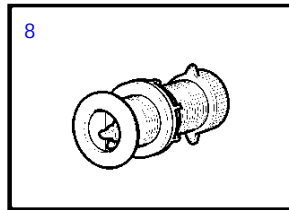
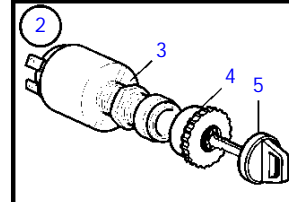
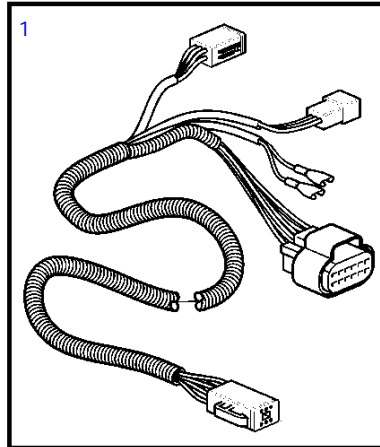
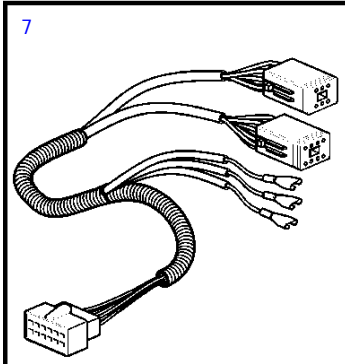
D3-110I-C, D3-130A-C, D3-130I-C, D3-160A-C, D3-160I-C, D3-190A-C, D3-190I-C

REF	PART NO.	QTY	DESCRIPTION	SEE SEC.	NOTES
1	3847841	1	Tachometer kit		Black, D=110mm, Only for main helm station, Cable not included
			* Bulletin P-36-9-3	P-36-9-3-EN	New products in the EVC family
1	3847844	1	Tachometer kit		White, D=110mm, Only for main helm station, Cable not included
			* Bulletin P-36-9-3	P-36-9-3-EN	New products in the EVC family
1	3885696	1	Tachometer		Black, D=85mm, Only for main helm station, Cable included
	3885697	1	Tachometer		White D=85mm, Only for main helm station, Cable included
2	3884843	1	* Wiring harness		
3	881647	1	Tachometer		Engine speed/hours, Black D=85mm, Only for secondary helm station
	881653	1	Tachometer		Engine speed/hours, White D=85mm, Only for secondary helm station
	3586222	1	Kit		Engine speed/hours, text messages, Black D=85mm, Only for secondary helm station
	3586223	1	Kit		Engine speed/hours, text messages, White D=85mm, Only for secondary helm station
4	874916	1	Speedometer		Black 0-20 knots
	874917	1	Speedometer		Black 0-40 knots
	881645	1	Speedometer		Black 0-60 knots
	874929	1	Speedometer		White 0-20 Knots
	874930	1	Speedometer		White 0-40 Knots
	881650	1	Speedometer		White 0-60 Knots
	3847867	1	Speedometer		Unit neutral, White, D=110mm, 0-40
			* Bulletin P-36-9-3	P-36-9-3-EN	New products in the EVC family
4	3847864	1	Speedometer		Unit neutral, Black, D=110mm, 0-40
			* Bulletin P-36-9-3	P-36-9-3-EN	New products in the EVC family
4	3847873	1	Speedometer		Unit neutral, White, D=110mm, 0-60
			* Bulletin P-36-9-3	P-36-9-3-EN	New products in the EVC family
4	3847870	1	Speedometer		Unit neutral, Black, D=110mm, 0-60
			* Bulletin P-36-9-3	P-36-9-3-EN	New products in the EVC family
5	3885214	1	Instrument		Four in one gauge (oil pressure, coolant temp, fuel level, volt meter), White
			* Bulletin P-36-9-3	P-36-9-3-EN	New products in the EVC family
5	3885215	1	Instrument		Four in one gauge (trim analog, coolant temp, fuel level, volt meter), White
			* Bulletin P-36-9-3	P-36-9-3-EN	New products in the EVC family
5	3847876	1	Instrument		Four in one gauge (oil pressure, coolant temp, fuel level, volt meter), D=110mm, Black
			* Bulletin P-36-9-3	P-36-9-3-EN	New products in the EVC family
5	3847879	1	Instrument		Four in one gauge (trim analog, coolant temp, fuel level, volt meter), D=110mm, Black
			* Bulletin P-36-9-3	P-36-9-3-EN	New products in the EVC family
6	3812881	1	Instrument		Black analog
	3812911	1	Instrument		White analog
7	881648	1	Trimmer		Black digital
	881654	1	Trimmer		White digital
8	874904	1	Thermometer, coolant water		Black 0-120°C
	874921	1	Thermometer, coolant water		White 0-120°C
	874918	1	Thermometer, coolant water		Black 40-250 °F
	874931	1	Thermometer, coolant water		White 40-250 °F
9	881649	1	Voltmeter		Black
	881658	1	Voltmeter		White
10	874914	1	Fuel gauge		Black D=52mm
	874926	1	Fuel gauge		White D=52mm
11	874915	1	Instrument, alarm		Black D=52mm
	874927	1	Instrument, alarm		White D=52mm
12	874910	1	Turbo pressure gauge		Black 0-3 bar
	874920	1	Turbo pressure gauge		Black 0-45 psi
	874924	1	Turbo pressure gauge		White 0-3 bar
	874933	1	Turbo pressure gauge		White 0-45 psi
13	3812914	1	Rudder indicator		Black
	3812917	1	Rudder indicator		White
14	874709	1	Mounting kit		Black D=52mm
15	874450	1	* Attaching ring		
16	874448	1	* Ring		
17	874707	1	* Gasket		
18	874708	1	Mounting kit		Black D=85mm
19	874449	1	* Attaching ring		
20	874447	1	* Ring		
21	874706	1	* Gasket		
22	3847888	1	Mounting kit		Black D=110mm
			* Bulletin P-36-9-3	P-36-9-3-EN	New products in the EVC family
23	3884098	1	* Attaching ring		
24	3847887	1	* Ring		
25	3884103	1	* Gasket		
26	874733	1	Mounting kit		Chrome D=52mm
27	874450	1	* Attaching ring		
28	874731	1	* Ring		
29	874707	1	* Gasket		
30	874732	1	Mounting kit		Chrome D=85mm
31	874449	1	* Attaching ring		
32	874730	1	* Ring		
33	874706	1	* Gasket		
34	3885216	1	Mounting kit		Chrome D=110mm
			* Bulletin P-36-9-3	P-36-9-3-EN	New products in the EVC family
35	3884098	1	* Attaching ring		
36	3884096	1	* Ring		
37	3884103	1	* Gasket		
38	881611	1	Brace kit		Black D=52mm
39	881607	1	* Brace		
40	881610	2	* Nut		
41	881609	2	* Stud		
42	874707	1	* Gasket		
43	874448	1	* Ring		
44	881612	1	Brace kit		Black D=85mm
45	881608	1	* Brace		

D3-110I-C, D3-130A-C, D3-130I-C, D3-160A-C, D3-160I-C, D3-190A-C, D3-190I-C

REF	PART NO.	QTY	DESCRIPTION	SEE SEC.	NOTES
46	881610	2	* Nut		
47	881609	2	* Stud		
48	874706	1	* Gasket		
49	874447	1	* Ring		
50	881613	1	Brace kit		Chrome D=52mm
51	881607	1	* Brace		
52	881610	2	* Nut		
53	881609	2	* Stud		
54	874707	1	* Gasket		
55	874731	1	* Ring		
56	881614	1	Brace kit		Chrome D=85mm
57	881608	1	* Brace		
58	881610	2	* Nut		
59	881609	2	* Stud		
60	874706	1	* Gasket		
61	874730	1	* Ring		
62	3886791	1	X-ring		For flush mounting., D=110mm
			* Bulletin P-36-9-3	P-36-9-3-EN	New products in the EVC family
63	874844	1	X-ring		For flush mounting., D=85mm
64	874843	1	X-ring		For flush mounting., D=52mm
65	874759	1	Extension cable'verl		L=1000mm
	3807043	1	Extension cable'verl		L=3000mm
66	3817974	1	Alarm		
67	3809099	1	Rudder position sens		Rudder indicator

D3-110I-A, D3-130A-A, D3-130I-A, D3-160A-A, D3-160I-A

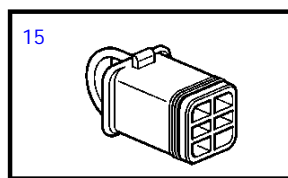
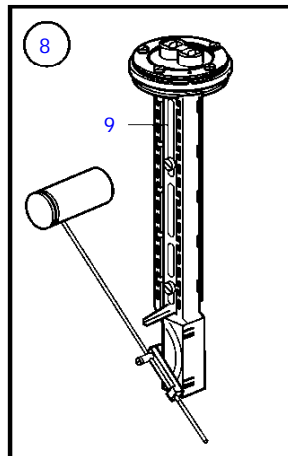
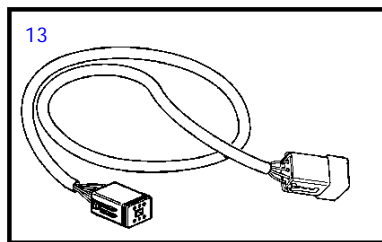
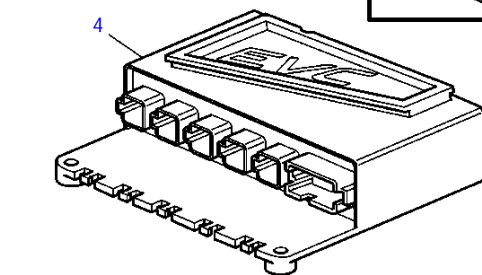
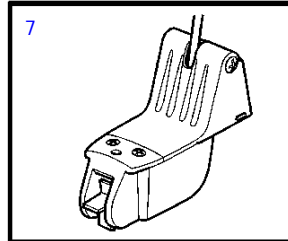
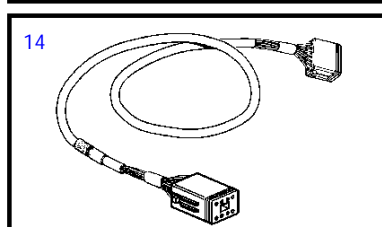
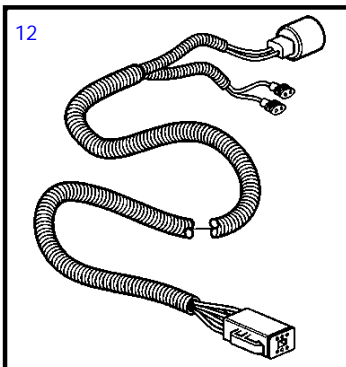
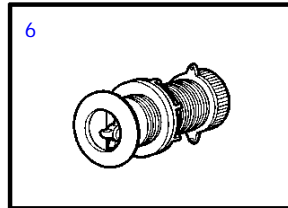
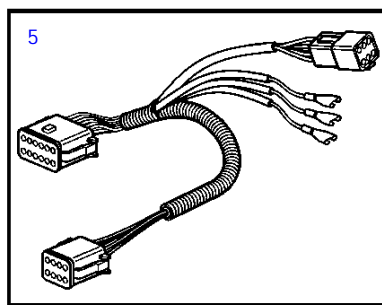
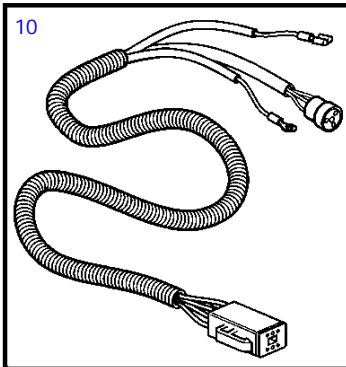
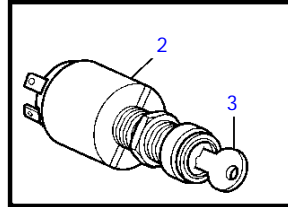
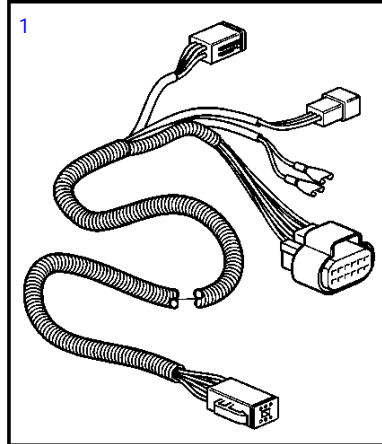
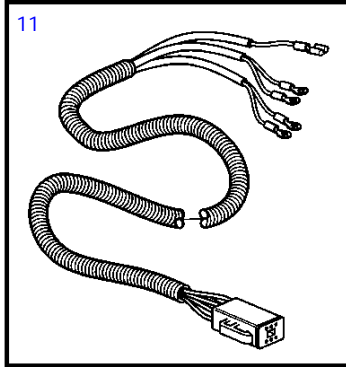


19944

D3-110I-A, D3-130A-A, D3-130I-A, D3-160A-A, D3-160I-A

REF	PART NO.	QTY	DESCRIPTION	SEE SEC.	NOTES
1	881801	1	Wiring harness		Included in EVC cable kit 3587052., L=2,0m
2	856659	1	Starter switch		For EVC-MC
	3587071	1	Starter switch		
3	888001	1	* Starter switch		
4	859955	1	* Plastic nut		
5	859953	1	* Key		
			* Bulletin 49-30	49-30-EN	Key P/N 859953
6	3807345	1	Control unit		For SX drive., HIU
	3807347	1	Control unit		For reverse gear, HIU
	3589927	1	Software		Warehouse programming. This p/n can not be ordered, but will be used for invoicing.
	3589926	1	Software		Vodia-programming. This p/n can not be ordered, but will be used for invoicing.
7	881800	1	Wiring harness		HIU to engine., Included in EVC cable kit 3587052.
8	3587054	1	Sensor		Through hull
9	3587055	1	Sensor		Mounted on transom
10	874840	1	Sensor		Replaced by 3812291
	3812291	1	Sensor kit		Replaced by 21575479
	21575479	1	Sensor kit		
11	873772	1	* Tank sensor		
12	881803	1	Wiring harness		For trim instrument and instrument light, Included in EVC cable kit 3587052., L=0.5m
13	881802	1	Cable		For fuel level sender, L=5.0m
14	881804	1	Wiring harness		For trim pump and trim sender, Included in EVC cable kit 3587052., L=5.0m
15	881805	1	Cable		L=0.5m
16	888248	1	Extension cable'verl		Multilink., L=3.0m, 8-way.
	888249	1	Extension cable'verl		L=5.0m, 8-way.
	888250	1	Extension cable'verl		L=7.0m, 8-way.
	888251	1	Extension cable'verl		L=9.0m, 8-way.
	888253	1	Extension cable'verl		L=11.0m, 8-way.
17	3842733	1	Extension cable'verl		L=3.0m, (888243), 6-Way
	888244	1	Extension cable'verl		L=5.0m, 6-Way
	3842735	1	Extension cable'verl		L=7.0m, (888245), 6-Way
	3842736	1	Extension cable'verl		L=9.0m, (888246), 6-Way
	3842737	1	Extension cable'verl		L=11.0m, (888247), 6-Way
18	3840433	1	Sealing plug		Plug for connection in HIU when reverse gear is used.

D3-110I-B, D3-130A-B, D3-130I-B, D3-160A-B, D3-160I-B, D3-190A-B, D3-190I-B



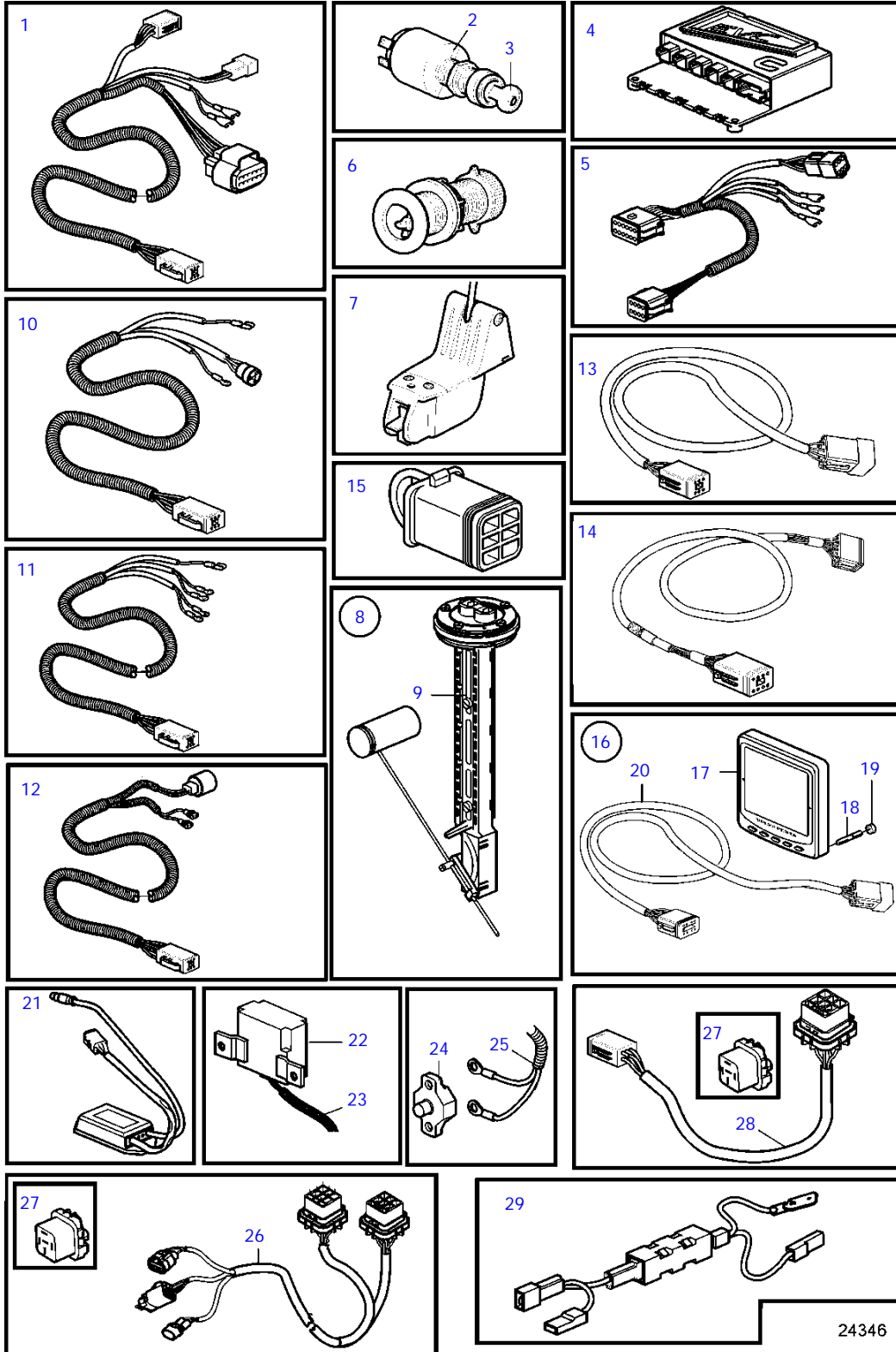
22917



D3-110I-B, D3-130A-B, D3-130I-B, D3-160A-B, D3-160I-B, D3-190A-B, D3-190I-B

REF	PART NO.	QTY	DESCRIPTION	SEE SEC.	NOTES
1	881801	1	Wiring harness		Included in EVC cable kit 3587052., L=2,0m
2	856659	1	Starter switch		For EVC-MC
	3587071	1	Starter switch		
3	859953	1	* Key		State key code when ordering.
			* Bulletin 49-30	49-30-EN	Key P/N 859953
4	21252272	1	Control unit		HIU for reverse gear
	21252275	1	Control unit		HIU for SX drive
	3589927	1	Software		Warehouse programming. This p/n can not be ordered, but will be used for invoicing.
	3589926	1	Software		Vodia-programming. This p/n can not be ordered, but will be used for invoicing.
5	21207240	1	Wiring harness		ECU to engine
6	3587054	1	Sensor		Through hull
7	3587055	1	Sensor		Mounted on transom
8	874840	1	Sensor		Replaced by 3812291
	3812291	1	Sensor kit		Replaced by 21575479
	21575479	1	Sensor kit		
9	873772	1	* Tank sensor		
10	3807228	1	Wiring harness		For trim instrument and instrument light, L=0.5m
11	3807229	1	Wiring harness		For fuel level sender, L=5.0m
12	881804	1	Wiring harness		For trim pump and trim sender, Included in EVC cable kit 3587052., L=5.0m
13	3842733	1	Extension cable'verl		L=3.0m, 6-Way
	3842734	1	Extension cable'verl		L=5.0m, 6-Way
	3842735	1	Extension cable'verl		L=7.0m, 6-Way
	3842736	1	Extension cable'verl		L=9.0m, 6-Way
	3842737	1	Extension cable'verl		L=11.0m, 6-Way
14	888248	1	Extension cable'verl		Multilink., L=10.0' (3.0m), 8-way.
	888249	1	Extension cable'verl		L=5.0m, 8-way.
	888250	1	Extension cable'verl		L=23.0' (7.0m), 8-way.
	888251	1	Extension cable'verl		L=9.0m, 8-way.
	888253	1	Extension cable'verl		L=11,00m, 8-way.
15	3840433	1	Sealing plug		Plug for connection in HIU when reverse gear is used.

D3-110I-C, D3-130A-C, D3-130I-C, D3-160A-C, D3-160I-C, D3-190A-C, D3-190I-C

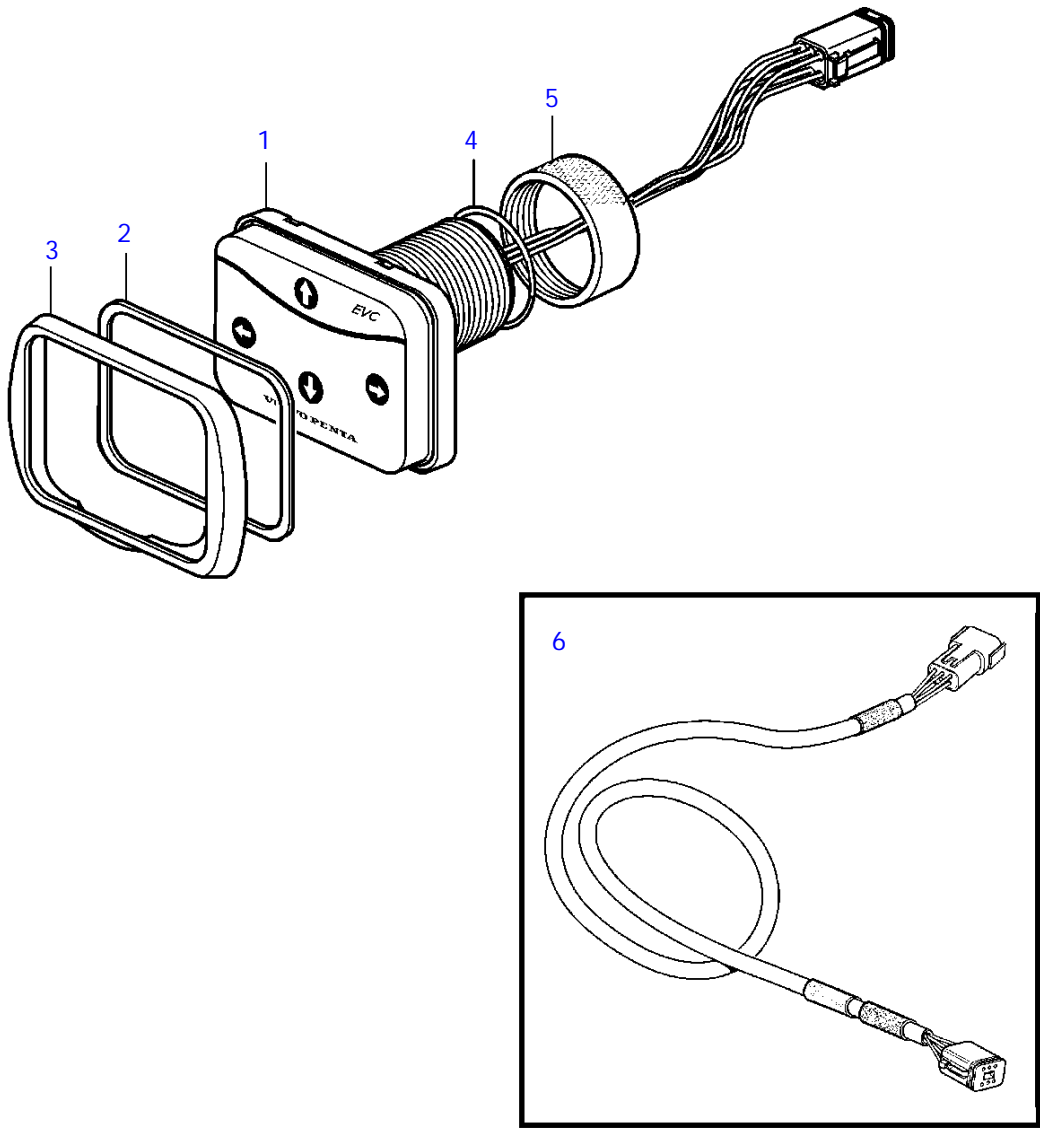


24346

D3-110I-C, D3-130A-C, D3-130I-C, D3-160A-C, D3-160I-C, D3-190A-C, D3-190I-C

REF	PART NO.	QTY	DESCRIPTION	SEE SEC.	NOTES
1	881801	1	Wiring harness		Included in EVC cable kit 3587052., L=2,0m
2	3587071	1	Starter switch		
	3587070	1	Starter switch		Kit with 2 key switch with identical key.
3	859953	1	* Key		State key code when ordering.
			* Bulletin 49-30	49-30-EN	Key P/N 859953
4	3887304	1	Control unit		
			* Bulletin P-28-4-11	P-28-4-11-EN	Deleted Control Units
4	3589927	1	Software		Warehouse programming. This p/n can not be ordered, but will be used for invoicing.
	3589926	1	Software		Vodia-programming. This p/n can not be ordered, but will be used for invoicing.
5	21207240	1	Wiring harness		ECU to engine
6	3587054	1	Sensor		Through hull
7	3587055	1	Sensor		Mounted on transom
8	874840	1	Sensor		Replaced by 3812291
	3812291	1	Sensor kit		Replaced by 21575479
	21575479	1	Sensor kit		
9	873772	1	* Tank sensor		
10	3807228	1	Wiring harness		For trim instrument and instrument light, L=0.5m
11	3807229	1	Wiring harness		For fuel level sender, L=5.0m
12	3885806	1	Wiring harness		For trim pump and trim sender, Included in EVC cable kit 3587052., L=5.0m
13	3842733	1	Extension cable'verl		L=3.0m, 6-Way
	3842734	1	Extension cable'verl		L=5.0m, 6-Way
	3842735	1	Extension cable'verl		L=7.0m, 6-Way
	3842736	1	Extension cable'verl		L=9.0m, 6-Way
	3842737	1	Extension cable'verl		L=11.0m, 6-Way
14	888248	1	Extension cable'verl		Multilink., L=10.0' (3.0m), 8-way.
	888249	1	Extension cable'verl		L=5.0m, 8-way.
	888250	1	Extension cable'verl		L=23.0' (7.0m), 8-way.
	888251	1	Extension cable'verl		L=9.0m, 8-way.
	888253	1	Extension cable'verl		L=11,00m, 8-way.
15	3840433	1	Sealing plug		Plug for connection in HIU when reverse gear is used.
16	3884818	1	Display, kit		Replaced by 3849972
	3849972	1	Display		Replaced by 3595108
	3595108	1	Display		Replaced by 21173162
	21173162	1	Display		
17		1	* Display		
18	830928	4	* Stud		
19	830930	4	* Nut		
20	3588207	1	* Cable kit		
21	3848966	1	Control unit		
			* Bulletin P-38-1-1	P-38-1-1-EN	ADU - Automatic Dimmer Unit
22	873112	1	Position sensor		SOLAS
23	3594603	1	Wiring harness		SOLAS
24	856337	1	Automatic fuse		50A, SOLAS
25	3594644	1	Wiring harness		SOLAS
26	3885810	1	Wiring harness		For trim pump control
27	873765	1	Relay		
28	21427463	1	Cable		For multilink aux-relay
29	21371661	1	Cable kit		Diode kit
			* Bulletin P-36-9-4	P-36-9-4-EN	Diode kit for engine control units on D3/EDC15 engines

D3-110I-A, D3-130A-A, D3-130I-A, D3-160A-A, D3-160I-A

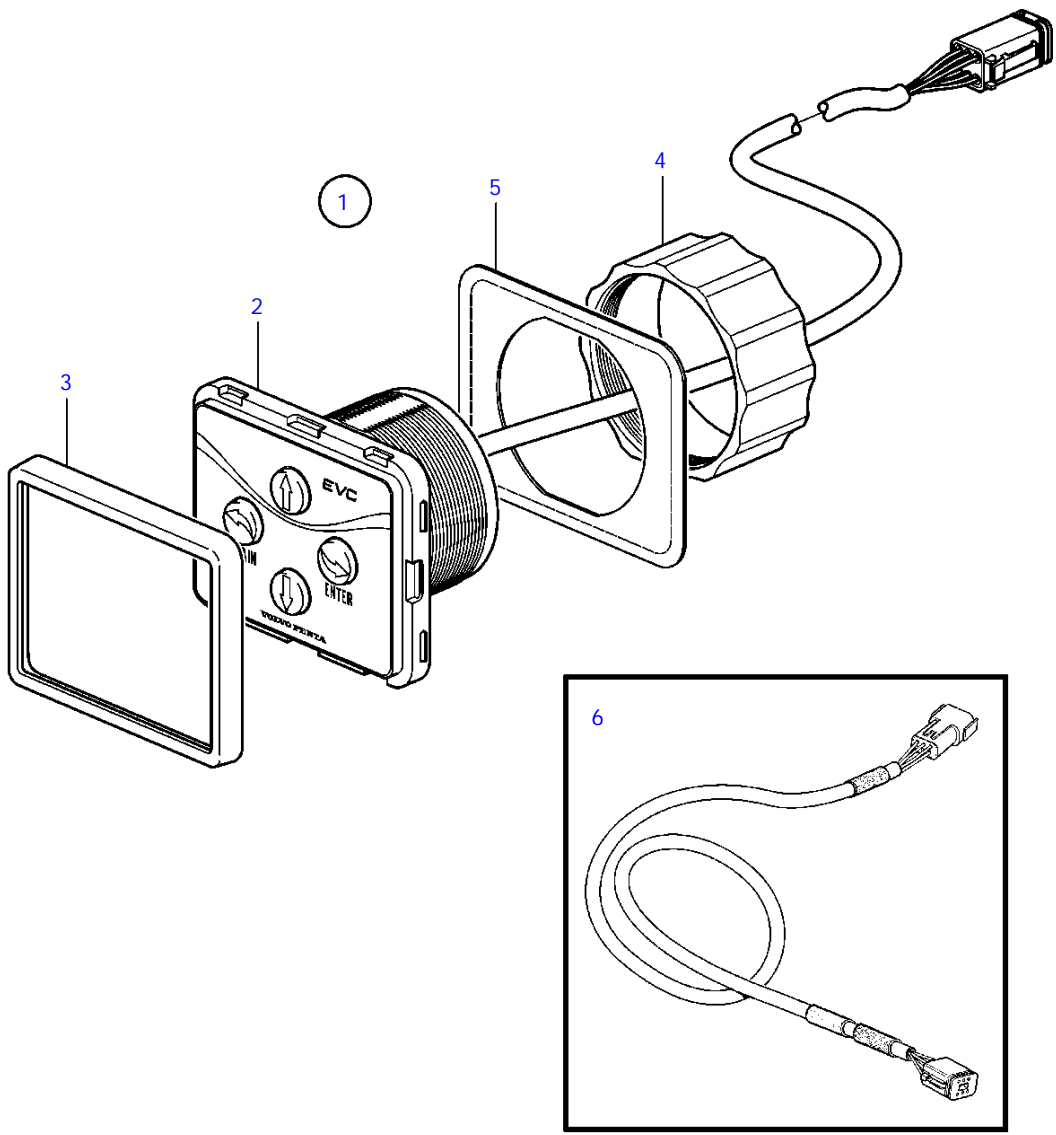


22919

D3-110I-A, D3-130A-A, D3-130I-A, D3-160A-A, D3-160I-A

REF	PART NO.	QTY	DESCRIPTION	NOTES
1	3586943	1	Instrument panel	
2	874192	1	Gasket	
3	874149	1	Frame	
4	874191	1	O-ring	
5	874193	1	Round nut	
6	3842733	1	Extension cable'verl	L=3.0m, (888243)
	888244	1	Extension cable'verl	L=5.0m
	3842735	1	Extension cable'verl	L=7.0m, (888245)
	3842736	1	Extension cable'verl	L=9.0m, (888246)
	3842737	1	Extension cable'verl	L=11.0m, (888247)

D3-110I-B, D3-130A-B, D3-130I-B, D3-160A-B, D3-160I-B, D3-190A-B, D3-190I-B

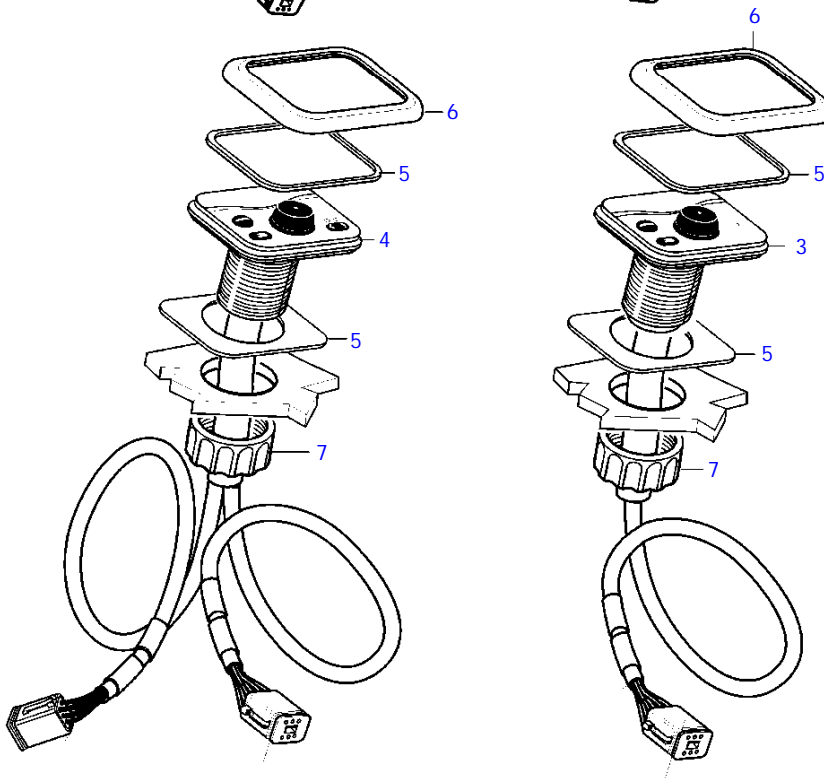
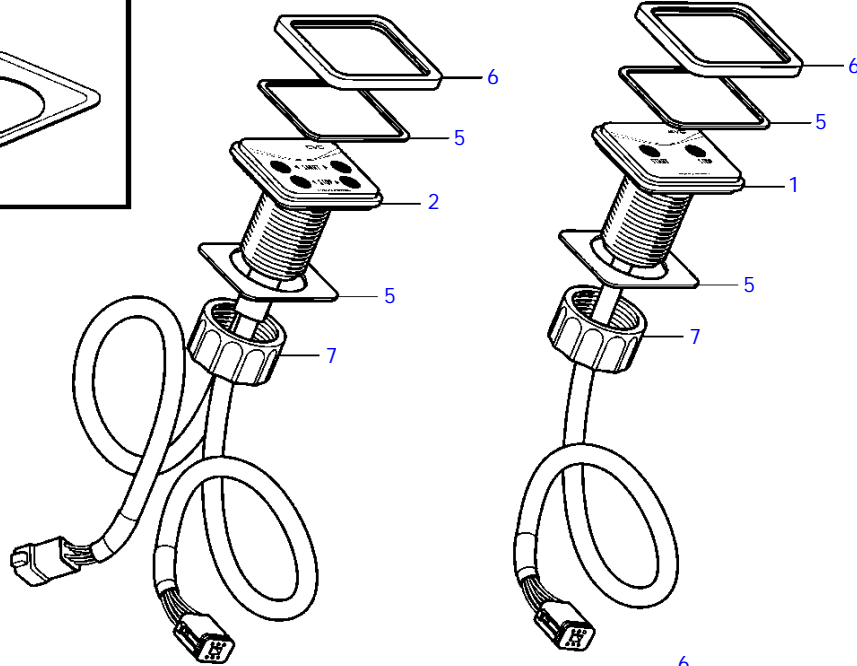
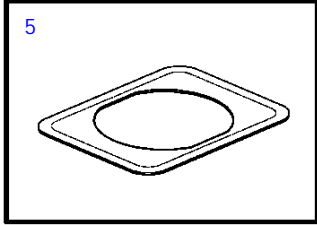


22918

D3-110I-B, D3-130A-B, D3-130I-B, D3-160A-B, D3-160I-B, D3-190A-B, D3-190I-B

REF	PART NO.	QTY	DESCRIPTION	NOTES
1	3807317	1	Control panel	
2		1	* Control panel	
3	3808131	1	* Frame	
4	3808134	1	* Nut	
5	3808135	1	* Gasket	
6	3842733	1	Extension cable'verl	L=3.0m
	3842734	1	Extension cable'verl	L=5.0m
	3842735	1	Extension cable'verl	L=7.0m
	3842736	1	Extension cable'verl	L=9.0m
	3842737	1	Extension cable'verl	L=11.0m

D3-110I-A, D3-110I-B, D3-110I-C, D3-130A-A, D3-130I-A, D3-130A-B, D3-130I-B, D3-130A-C, D3-130I-C, D3-160A-A, D3-160I-A, D3-160A-B, D3-160I-B, D3-160A-C, D3-160I-C, D3-190A-B, D3-190I-B, D3-190A-C, D3-190I-C



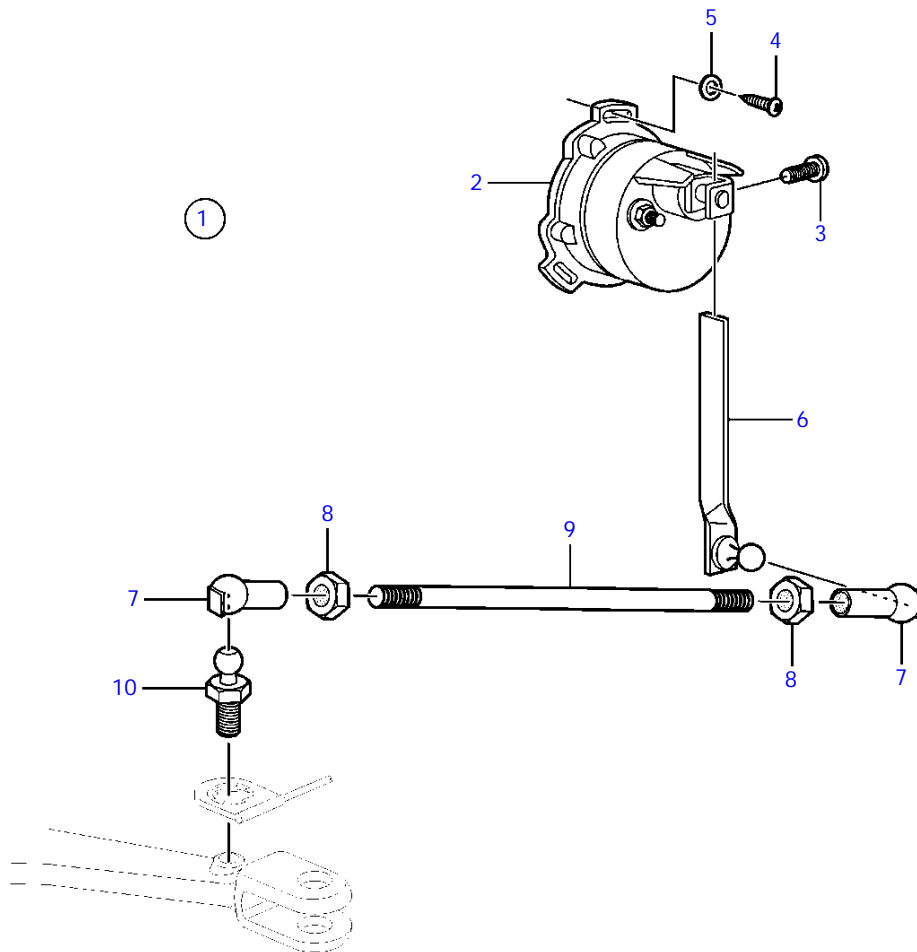
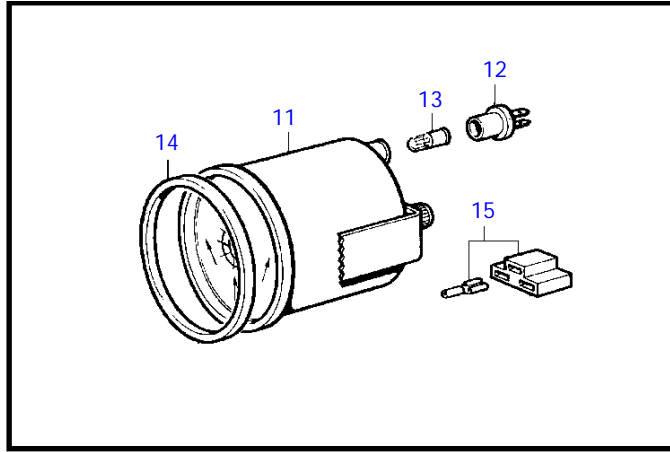
23667



D3-110I-A, D3-110I-B, D3-110I-C, D3-130A-A, D3-130I-A, D3-130A-B, D3-130I-B, D3-130A-C, D3-130I-C, D3-160A-A, D3-160I-A, D3-160A-B, D3-160I-B, D3-160A-C, D3-160I-C, D3-190A-B, D3-190I-B, D3-190A-C, D3-190I-C

REF	PART NO.	QTY	DESCRIPTION	NOTES
1	40005641	1	Control panel	Single installation
2	40005642	1	Control panel	Twin installation
3	21310165	1	Control panel	Single installation
4	21310166	1	Control panel	Twin installation
5	3808135	1	* Gasket	Also for flushmounting.
6	3808131	1	* Frame	
7	3808134	1	* Nut	

D3-110I-A, D3-110I-B, D3-110I-C, D3-130A-A, D3-130I-A, D3-130A-B, D3-130I-B, D3-130A-C, D3-130I-C, D3-160A-A, D3-160I-A, D3-160A-B, D3-160I-B, D3-160A-C, D3-160I-C, D3-190A-B, D3-190I-B, D3-190A-C, D3-190I-C

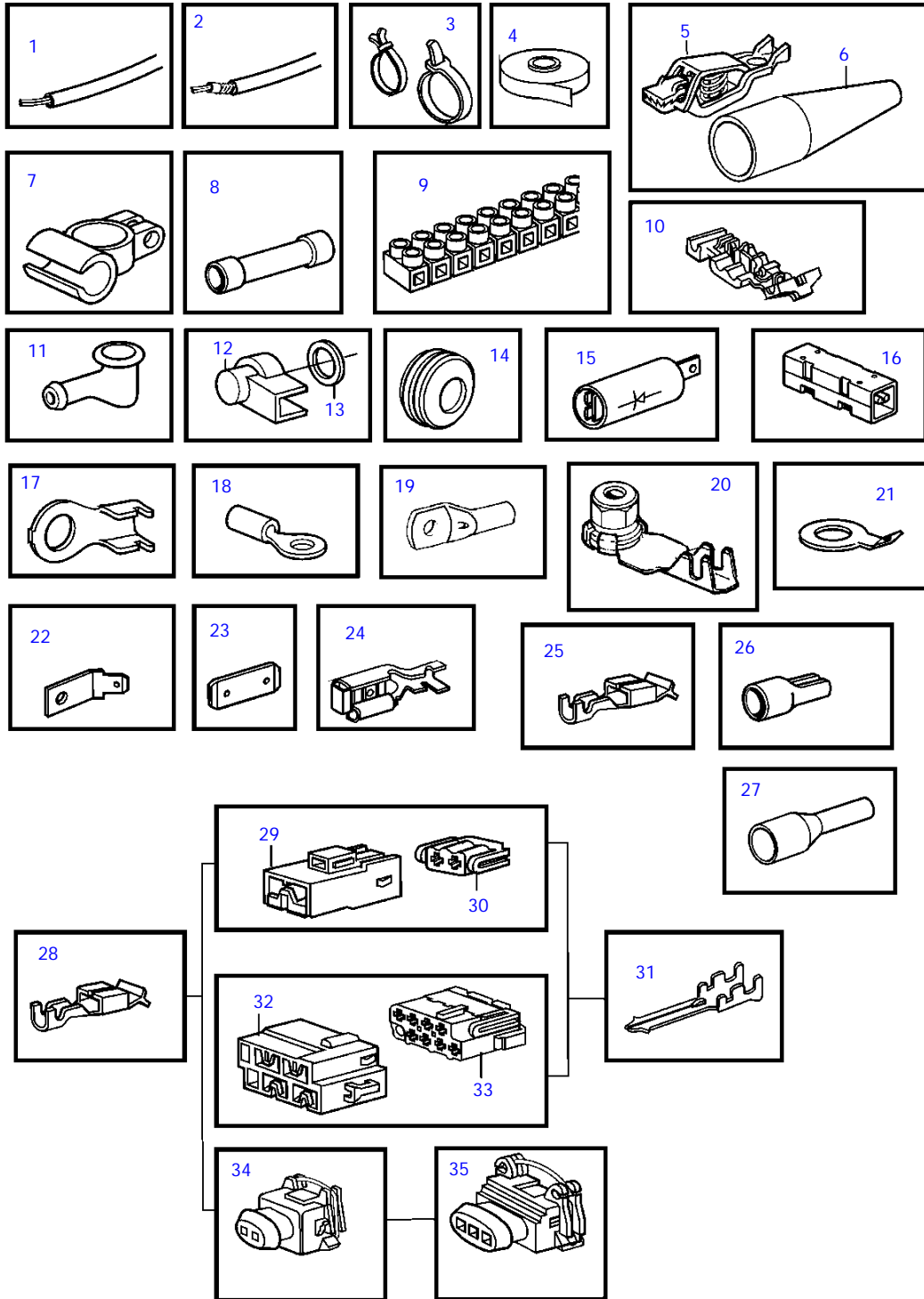


24824

D3-110I-A, D3-110I-B, D3-110I-C, D3-130A-A, D3-130I-A, D3-130A-B, D3-130I-B, D3-130A-C, D3-130I-C, D3-160A-A, D3-160I-A, D3-160A-B, D3-160I-B, D3-160A-C, D3-160I-C, D3-190A-B, D3-190I-B, D3-190A-C, D3-190I-C

REF	PART NO.	QTY	DESCRIPTION	NOTES
1	21323189	1	Sensor	
2	837772	1	* Position sensor	
3		1	* * Screw	not sold separately
		2	* * Nut	not sold separately
		2	* * Lock washer	not sold separately
4	955132	3	* Cross recessed screw	
5	955891	3	* Washer	
6	3863388	1	* Arm	
7	946704	1	* Ball socket	Left hand threads
	946703	1	* Ball socket	Right hand threads
8	942836	1	* Hexagon nut	Left hand threads
	955780	1	* Hexagon nut	Right hand threads
9	943549	1	* Control rod	
10	21319346	1	* Ball stud	
11	863944	1	Rudder indicator	
	873207	1	* Brace kit	
		2	* * Nut	
		2	* Spacer	
12	863945	1	* Lamp socket	
13	863946	1	* Bulb	
14	858643	1	Front ring	
15		X	Connector	

D3-110I-A, D3-110I-B, D3-110I-C, D3-130A-A, D3-130I-A, D3-130A-B, D3-130I-B, D3-130A-C, D3-130I-C, D3-160A-A, D3-160I-A, D3-160A-B, D3-160I-B, D3-160A-C, D3-160I-C, D3-190A-B, D3-190I-B, D3-190A-C, D3-190I-C

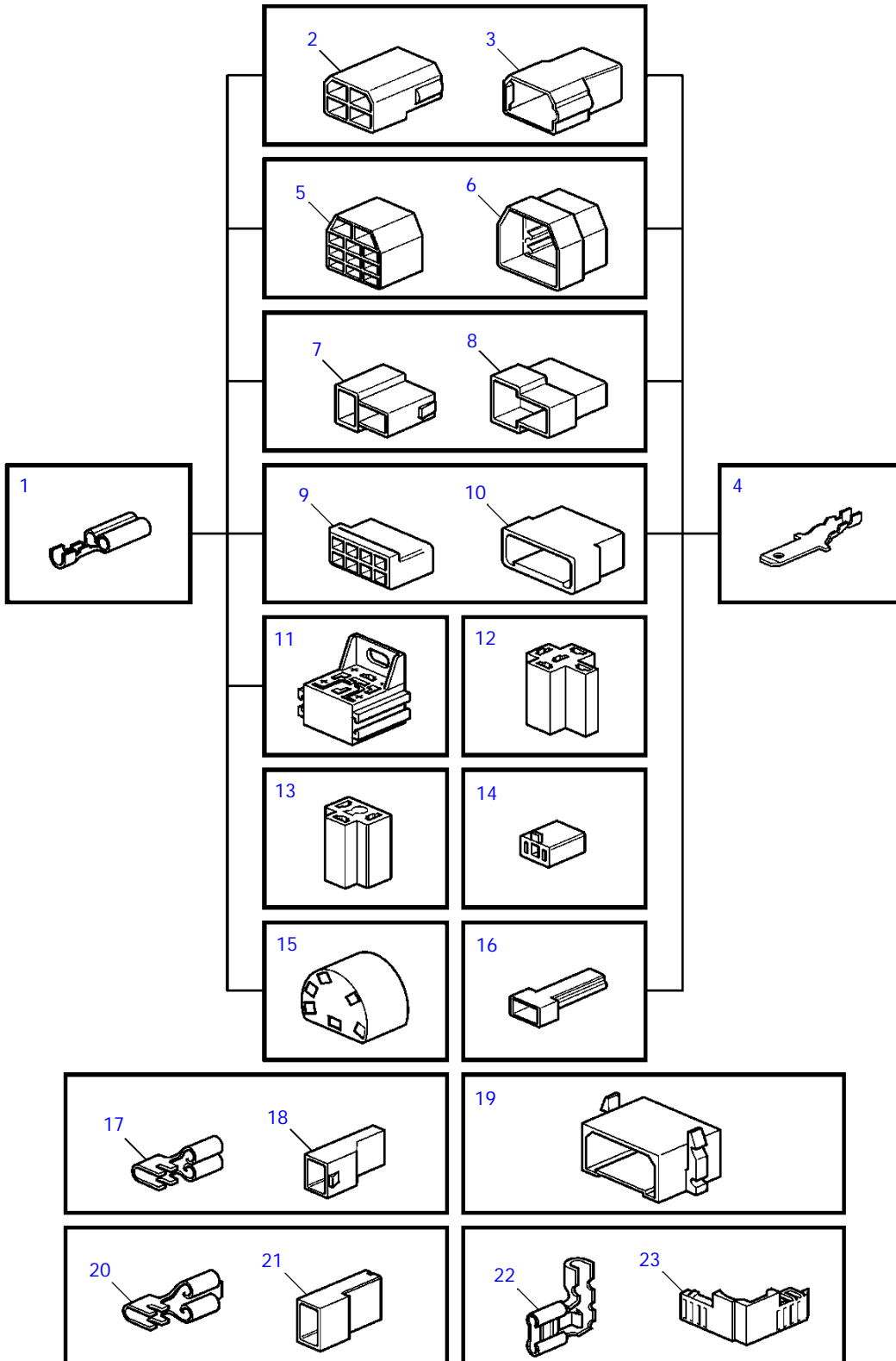


18567

D3-110I-A, D3-110I-B, D3-110I-C, D3-130A-A, D3-130I-A, D3-130A-B, D3-130I-B, D3-130A-C, D3-130I-C, D3-160A-A, D3-160I-A, D3-160A-B, D3-160I-B, D3-160A-C, D3-160I-C, D3-190A-B, D3-190I-B, D3-190A-C, D3-190I-C

REF	PART NO.	DESCRIPTION	NOTES
1	970624	Electric cable, type RK	1,5mm <sup>2</sup> , black
	970626	Electric cable, type RK	1,5mm <sup>2</sup> , red
	970661	Electric cable, type R2	1,5mm <sup>2</sup> , red
	(970663)	Electric cable, type R2	Obsolete part, 2,5mm <sup>2</sup> , black
	970698	Electric cable, type R2	2,5mm <sup>2</sup> , red
	970700	Electric cable, type RK	4,0mm <sup>2</sup> , black
	(970709)	Electric cable, type RK	Obsolete part, 6,0mm <sup>2</sup> , black
	970711	Electric cable, type R2	6,0mm <sup>2</sup> , red
	954485	Electric cable, type RK	16,0mm <sup>2</sup> , red
	(954500)	Electric cable, type RK	Obsolete part, 25,0mm <sup>2</sup> , red
	954502	Electric cable, type RK	35,0mm <sup>2</sup> , red
2	874854	Power cable	Non reinforced ship cable approved by classification societies., 2x1,5mm <sup>2</sup>
	(863657)	Cable	Obsolete part, Reinforced ship cable approved by classification societies., 4,0mm <sup>2</sup> , red
	874855	Power cable	Non reinforced ship cable approved by classification societies., 2x2,5mm <sup>2</sup>
	(842092)	Cable	Obsolete part, Non reinforced ship cable approved by classification societies., 3x1,5mm <sup>2</sup>
	(874858)	Power cable	Obsolete part, Non reinforced ship cable approved by classification societies., 6,0mm <sup>2</sup> , black
	(842090)	Cable	Obsolete part, Non reinforced ship cable approved by classification societies., 16,0mm <sup>2</sup> , red
	874861	Power cable	Non reinforced ship cable approved by classification societies., 25,0mm <sup>2</sup> , red
	874862	Power cable	Non reinforced ship cable approved by classification societies., 35,0mm <sup>2</sup> , red
	846639	Electric cable	Non reinforced ship cable approved by classification societies., 2x1,5mm <sup>2</sup>
	874870	Power cable	Non reinforced ship cable approved by classification societies., 2x1,5mm <sup>2</sup>
	872679	Wiring harness	(846346)
	872939	Adapter	(846346)
	(874346)	Electric cable	Obsolete part, Reinforced ship cable approved by classification societies., RFOU 0,6/1kv
3	948211	Cable tie	3x1,5mm <sup>2</sup>
	949666	Cable tie, with mount. Hole	3x4,0mm <sup>2</sup>
	948616	Cable tie	3x6,0mm <sup>2</sup>
	862832	Cable tie, steel	4x1,5mm <sup>2</sup>
	858283	Tape	4x2,5mm <sup>2</sup>
4	844280	Clip, battery cable +pole	16x1,5mm <sup>2</sup>
5	(844278)	Isolation	Obsolete part, Red
	(844279)	Isolation	Obsolete part, Black
6	954505	Cable terminal, battery cable -pole	D=77mm L=280mm
	954506	Cable terminal, battery cable +pole	D=42mm L=170mm
7	956956	Splice	D=102mm L=362mm
	956958	Splice	1,5-2,5mm <sup>2</sup> , blue
	956960	Splice	L=61mm
8	926219	Coupling piece	Black
9	944306	Connector	Blue
10	829200	Protective cap	0,5-1,0mm <sup>2</sup> , red
11	(1234326)	Protecting casing	Obsolete part, 1,5-2,5mm <sup>2</sup> , blue
12	960140	Washer	3-6mm <sup>2</sup> , yellow
13	941269	Plug	Max 20mm <sup>2</sup> , 12-pole
14	821053	Protecting bushing	I.D.=35mm
	943920	Plug	I.D.=40mm
15		Diode	
16		Diode	
17	970788	Cable terminal	M5x1,1-2,5mm <sup>2</sup>
	970789	Cable terminal	M6x1,1-2,5mm <sup>2</sup>
	(970791)	Cable terminal	Obsolete part, M10x1,1-2,5mm <sup>2</sup>
18	881492	Cable terminal	M4x1,1-2,5mm <sup>2</sup>
	881493	Cable terminal	M5x1,1-2,5mm <sup>2</sup>
	881508	Cable terminal	M6x1,1-2,5mm <sup>2</sup>
	881494	Cable terminal	M8x1,1-2,5mm <sup>2</sup>
	881504	Cable terminal	M10x1,1-2,5mm <sup>2</sup>
	881506	Cable terminal	M4x2,6-6,0mm <sup>2</sup>
	881495	Cable terminal	M5x2,6-6,0mm <sup>2</sup>
	881496	Cable terminal	M6x2,6-6,0mm <sup>2</sup>
	881497	Cable terminal	M8x2,6-6,0mm <sup>2</sup>
	881498	Cable terminal	M10x2,6-6,0mm <sup>2</sup>
	940331	Cable terminal	M5x6,1-10,0mm <sup>2</sup>
	940332	Cable terminal	M6x6,1-10,0mm <sup>2</sup>
	940333	Cable terminal	M8x6,1-10,0mm <sup>2</sup>
	(940334)	Cable terminal	Obsolete part, M10x6,1-10,0mm <sup>2</sup>
	881512	Cable terminal	M5x10,1-16,0mm <sup>2</sup>
	940335	Cable terminal	M6x10,1-16,0mm <sup>2</sup>
	940336	Cable terminal	M8x10,1-16,0mm <sup>2</sup>
	940337	Cable terminal	M10x10,1-16,0mm <sup>2</sup>
19	949587	Cable terminal	M10x10mm <sup>2</sup>
20	8140576	Nut	M4
21	865758	Cable terminal	I.D.=12,5 D=23mm
22	944485	Cable terminal	6,3xM5x180
23	839328	Tab	16,3x6,3x0,8
24	881491	Cable terminal	6,3x0,75-2,1mm <sup>2</sup>
25	853015	Cable terminal	For trim instrument., For 853866, Yasaki
26	942429	Cable terminal	For 853866, Yasaki
27	3829867	Cable terminal	
	3829868	Cable terminal	
28	970777	Cable terminal	
29	968377	Housing	2,8x2 natural
	968379	Housing	2,8x2 gray
30	968376	Housing	4,8/2,8x2 natural
	968378	Housing	4,8/2,8x2 gray
31	974313	Cable terminal	2,8x0,8x1,1-2,5mm <sup>2</sup>
32	968401	Housing	2,8x8 natural
33	968400	Housing	4,8/2,8x8 natural
34	976256	Housing	2-pole
35	967713	Housing	3-pole

D3-110I-A, D3-110I-B, D3-110I-C, D3-130A-A, D3-130I-A, D3-130A-B, D3-130I-B, D3-130A-C, D3-130I-C, D3-160A-A, D3-160I-A, D3-160A-B, D3-160I-B, D3-160A-C, D3-160I-C, D3-190A-B, D3-190I-B, D3-190A-C, D3-190I-C

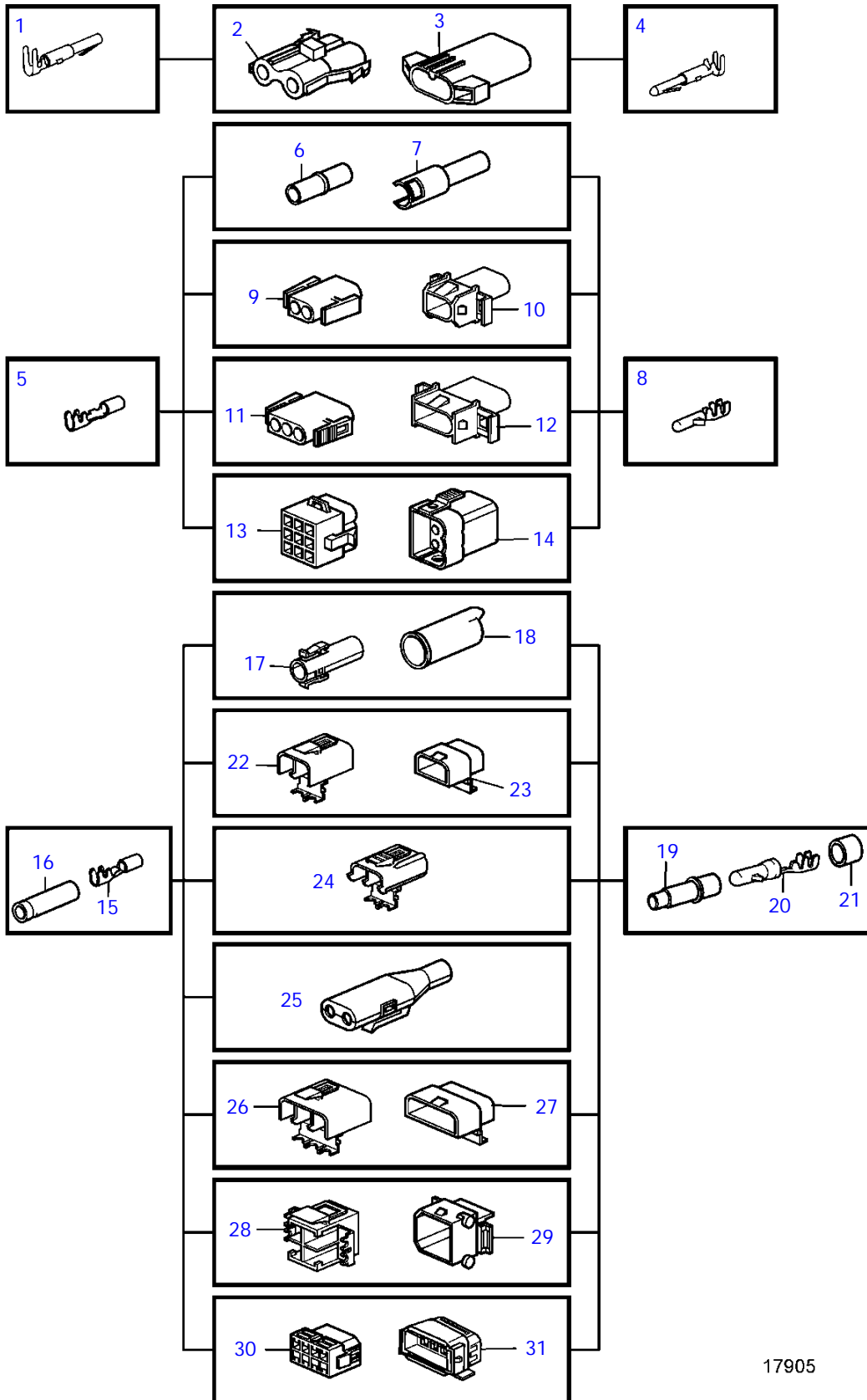


15819

D3-110I-A, D3-110I-B, D3-110I-C, D3-130A-A, D3-130I-A, D3-130A-B, D3-130I-B, D3-130A-C, D3-130I-C, D3-160A-A, D3-160I-A, D3-160A-B, D3-160I-B, D3-160A-C, D3-160I-C, D3-190A-B, D3-190I-B, D3-190A-C, D3-190I-C

REF	PART NO.	DESCRIPTION	NOTES
1	973150	Cable terminal	6,3x0,8x1,1-2,5mm <sup>2</sup>
	949206	Cable terminal	6,3x0,8x4,0-6,0mm <sup>2</sup>
2	948856	Housing	6,3x4 natural
3	948855	Housing	6,3x4 natural
4	973117	Cable terminal	6,3x0,8x0,5-1,0mm <sup>2</sup>
	881487	Cable terminal	6,3x0,8x0,75-2,5mm <sup>2</sup>
	881488	Cable terminal	6,3x0,8x4,0-6,0mm <sup>2</sup>
5	945830	Housing	6,3x11 natural
6	945831	Tab housing	6,3x11 natural
7	958210	Housing	6,3x2 black
8	958209	Housing	6,3x2 black
9	944076	Housing	6,3x8 natural
10	948857	Housing	6,3x8 natural
11	977184	Housing	6,3x5x4,8/2,8x4
12	1214948	Housing	6,3x5 black
13	945469	Housing	6,3x3 black
14	1578937	Housing	6,3x2 natural
15	828624	Receptacle housing	6,3x6
16		Housing	6,3x1 black
17	949405	Cable terminal	4,8x1,1-2,5mm <sup>2</sup>
18	947848	Housing	4,8x1 natural
19	944077	Housing	6,3x8 natural
20	881483	Cable terminal	6,3x0,8x1,1-2,5mm <sup>2</sup>
	881484	Cable terminal	6,3x0,8x4,0-6,0mm <sup>2</sup>
21	949597	Housing	6,3x1 natural
	943511	Housing	6,3x1 natural
22	881489	Cable terminal	6,3x0,8x1,1-2,5
23	944221	Housing	6,3x1 natural

D3-110I-A, D3-110I-B, D3-110I-C, D3-130A-A, D3-130I-A, D3-130A-B, D3-130I-B, D3-130A-C, D3-130I-C, D3-160A-A, D3-160I-A, D3-160A-B, D3-160I-B, D3-160A-C, D3-160I-C, D3-190A-B, D3-190I-B, D3-190A-C, D3-190I-C



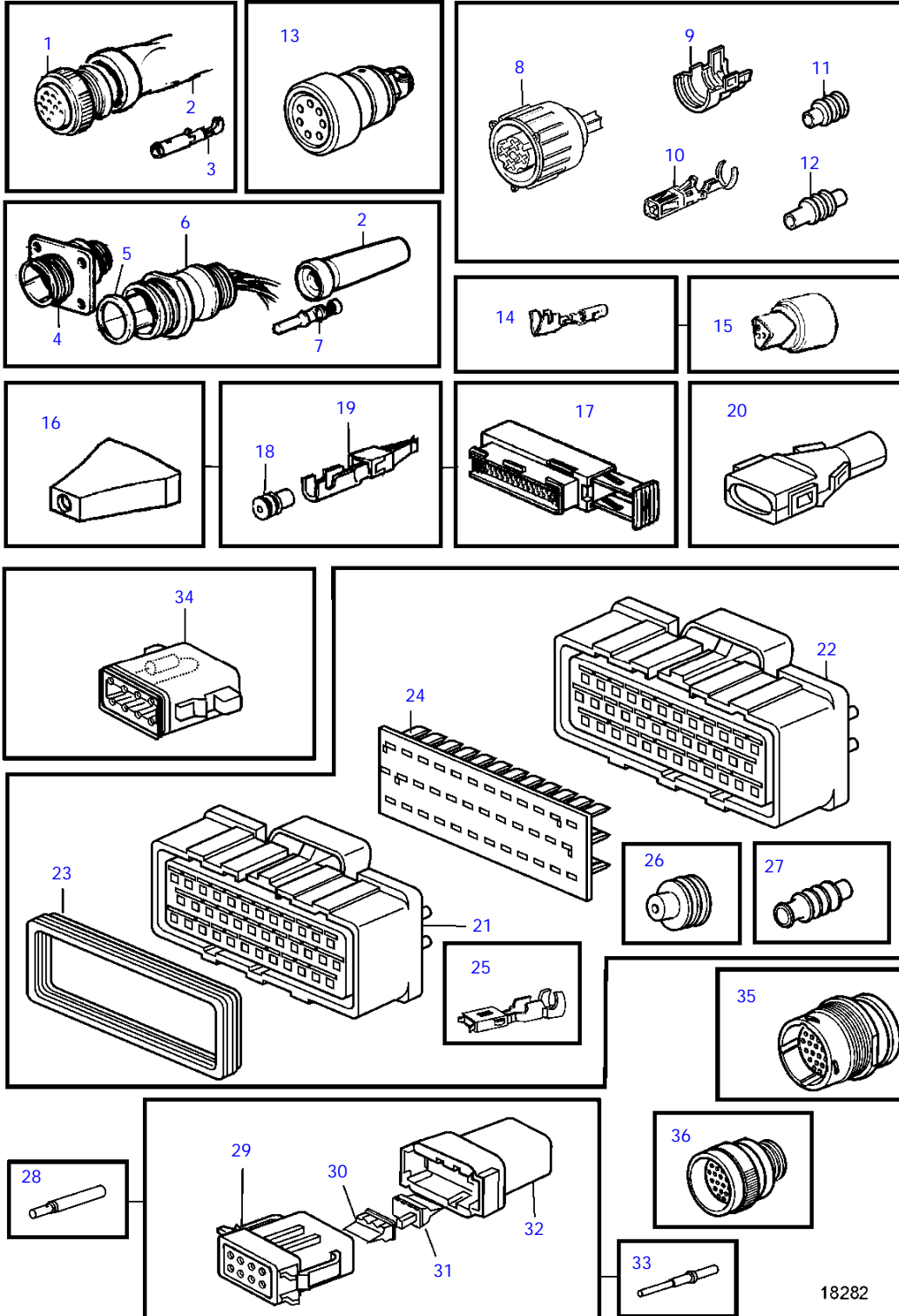
17905



D3-110I-A, D3-110I-B, D3-110I-C, D3-130A-A, D3-130I-A, D3-130A-B, D3-130I-B, D3-130A-C, D3-130I-C, D3-160A-A, D3-160I-A, D3-160A-B, D3-160I-B, D3-160A-C, D3-160I-C, D3-190A-B, D3-190I-B, D3-190A-C, D3-190I-C

REF	PART NO.	DESCRIPTION	NOTES
1	946038	Cable terminal	2,1x0,5-1mm <sup>2</sup>
2	944224	Housing	2-pole
3	944223	Housing	2-pole
4		Cable terminal	Not marketed by Volvo Penta., 2,1x0,5-1mm <sup>2</sup>
5	965822	Cable terminal	3,5x1,1-2,5mm <sup>2</sup>
	948289	Cable terminal	3,5x2,5-4,0mm <sup>2</sup>
6	949584	Housing	3,5x1 natural
7	949583	Housing	3,5x1 natural
8	969831	Cable terminal	3,5x0,5-1mm <sup>2</sup>
	965824	Cable terminal	3,5x1,1-2,5mm <sup>2</sup>
	965825	Cable terminal	3,5x2,6-4,0mm <sup>2</sup>
9	948996	Housing	3,5x2 natural
10	948995	Housing	3,5x2 natural
11	948296	Housing	3,5x3 natural
12	948297	Housing	3,5x3 natural
13	948294	Housing	3,5x9 natural
14	948295	Housing	3,5x9 natural
15	949371	Cable terminal	3,5x0,75-1,5mm <sup>2</sup>
	1598753	Insulator	3,5x2,5-4,5mm <sup>2</sup>
16	1598753	Insulator	
17	1307035	Housing	1-pole
18	1308436	Housing	1-pole
19	1608765	Insulator	
20	965824	Cable terminal	3,5x2,5-4,5mm <sup>2</sup>
21	1608766	Seal	
22	1307048	Housing	2-pole
23	1307049	Housing	2-pole
24	970753	Housing	2-pole
25	1624477	Housing	2-pole
26	1259828	Housing	3-pole
27	3523442	Pin housing	3-polig (1259829)
28	1259830	Housing	4-pole
29	1259831	Housing	4-pole
30	966812	Housing	8-pole
31	967809	Housing	8-pole

D3-110I-A, D3-110I-B, D3-110I-C, D3-130A-A, D3-130I-A, D3-130A-B, D3-130I-B, D3-130A-C, D3-130I-C, D3-160A-A, D3-160I-A, D3-160A-B, D3-160I-B, D3-160A-C, D3-160I-C, D3-190A-B, D3-190I-B, D3-190A-C, D3-190I-C

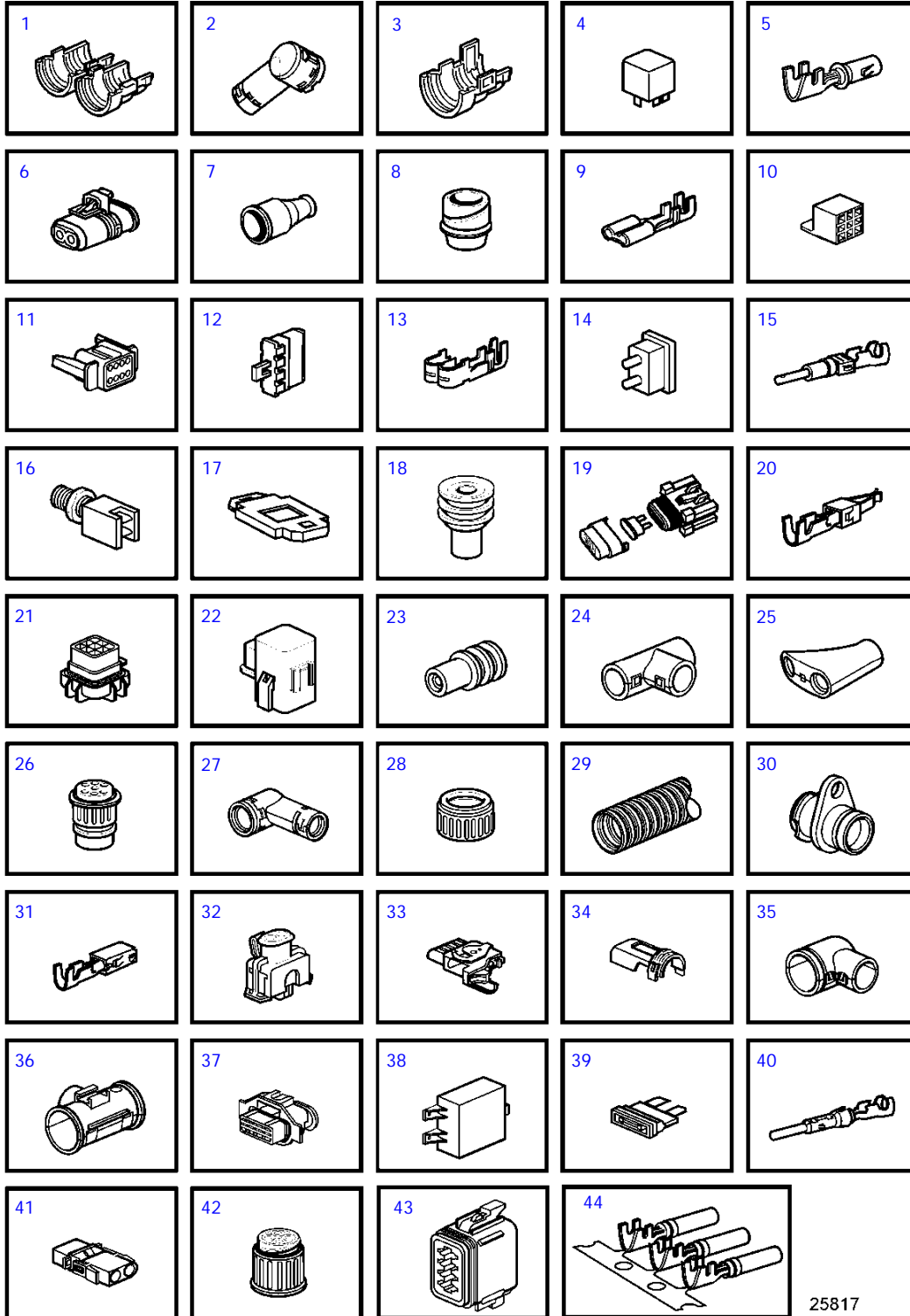


18282

D3-110I-A, D3-110I-B, D3-110I-C, D3-130A-A, D3-130I-A, D3-130A-B, D3-130I-B, D3-130A-C, D3-130I-C, D3-160A-A, D3-160I-A, D3-160A-B, D3-160I-B, D3-160A-C, D3-160I-C, D3-190A-B, D3-190I-B, D3-190A-C, D3-190I-C

REF	PART NO.	DESCRIPTION	NOTES
1	846612	Housing	16-pole
2	847005	Sealing collar	L=100mm D=20mm
3	849959	Cable terminal	
4	846611	Housing	16-pole
5	846615	Sealing ring	
6	846647	Block	16-pole
7	849958	Cable terminal	1,6x0,5-1,5mm <sup>2</sup>
8	8159013	Housing	4-pole
9		Adapter	
10	8155901	Cable terminal	
11	8155900	Cable seal	
12	8155899	Sealing plug	
13	1618737	Switch	7-pole
14	853521	Cable terminal	
15	(853498)	Anode kit	Obsolete part, 3-pole
16	873632	Protecting sleeve	
17	9148263	Housing	42-pole
18	970772	Cable seal	1,2-2,1mm <sup>2</sup> blue
	9148107	Seal	1,4-2,0 grey
	25325008	Cable seal	2,2-3mm <sup>2</sup> white
19	9148135	Switch	1,6x0,5-1mm <sup>2</sup>
	970778	Cable terminal	4,8/2,8x0,5-1mm <sup>2</sup>
	970779	Cable terminal	4,8/2,8x1,1-2,5mm <sup>2</sup>
20	8142100	Adapter	
21	977532	Housing	24-pole black
22	977897	Housing	24-pole red
23		• Seal	
24	977533	Insulator retainer	
25	977539	Cable terminal	
26	1079234	Seal	Brown
27	977540	Cable seal	Gray
28	874146	Cable terminal	
29	874142	Housing	8-pole
30	874144	Wedge	Orange
31	874145	Wedge	Orange
32	874143	Housing	8-pole
33	874147	Cable terminal	
34	874271	Resistor, end terminator	
35	874112	Connector unit	From control panel to engine. 23-pole.
36	874092	Connector unit	From engine to control panel. 23-pole.

D3-110I-A, D3-110I-B, D3-110I-C, D3-130A-A, D3-130I-A, D3-130A-B, D3-130I-B, D3-130A-C, D3-130I-C, D3-160A-A, D3-160I-A, D3-160A-B, D3-160I-B, D3-160A-C, D3-160I-C, D3-190A-B, D3-190I-B, D3-190A-C, D3-190I-C

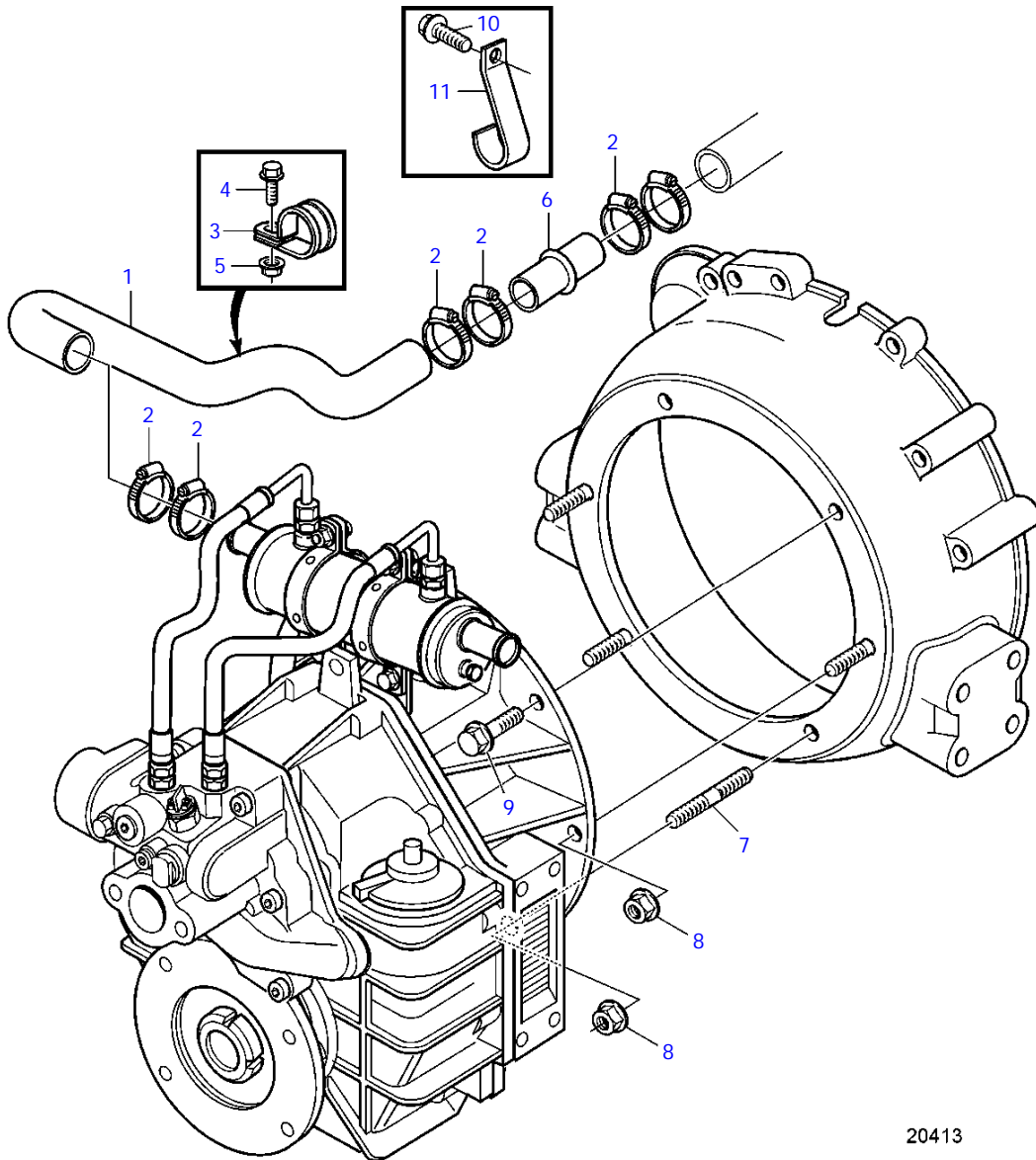


25817

D3-110I-A, D3-110I-B, D3-110I-C, D3-130A-A, D3-130I-A, D3-130A-B, D3-130I-B, D3-130A-C, D3-130I-C, D3-160A-A, D3-160I-A, D3-160A-B, D3-160I-B, D3-160A-C, D3-160I-C, D3-190A-B, D3-190I-B, D3-190A-C, D3-190I-C

REF	PART NO.	QTY	DESCRIPTION	NOTES
1	3985597	1	Adapter	L=32mm
	3985620	1	Adapter	
2	3987768	2	Adapter	
3	8159018	2	Adapter	
4	3171420	1	Relay	
5	20375186	12	Cable terminal	
	3963409	3	Cable terminal	
	3986767	X	Cable terminal	O.D=0,3mm
	11039671	3	Cable terminal	
6	20409386	6	Insulator	
7	11039397	1	End sleeve	
8	1079283	1	Cover	
9	973122	5	Cable terminal	
10	973121	1	Cable terminal	
11	874114	1	Insulator	
12	874115	1	Wedge	
13	874220	2	Cable terminal	
14	874250	2	Pin	For 874114
15	874033	6	Cable terminal	
	192396	X	Cable terminal	
16	873959	1	Breaker	Stop
17	873944	1	Retainer	For fuse 980555
18	873854	2	Sealing sleeve	
19	874111	1	Fuse holder	10 amp
20	3587154	3	Cable terminal	
	3587151	1	Cable terminal	
21	3587172	1	Relay socket	
22	3587173	1	Relay box	Replaced by 21494263
	21494263	1	Relay box	
23	3587461	X	Sealing plug	
	3587158	1	Sealing wire	
	3587170	3	Sealing wire	
	970771	X	Cable seal	I.D=3,4mm Y.D=6,0mm
	8159012	X	Sealing	I.D=0,1mm Y.D=3,9mm
24	9806110	2	Coupling piece	
	3171511	X	Coupling piece	D=10mm
	3171768	X	Manifold	D=13mm
	7807398	1	Coupling piece	
	7807403	1	Coupling piece	
25	3943200	2	Manifold	L=68,8mm
	3986692	1	Manifold	
	3987598	1	Manifold	L=48,2mm
	3988390	1	Manifold	L=57,9mm
	3986692	1	Manifold	
26	3963412	1	Housing	
27	3985598	1	Adapter	D=25,8mm
	3987766	2	Adapter	D=24mm
28	8141886	1	Adapter	D=22mm
29	874558	X	Hose	I.D=8,5mm
	874559	X	Hose	I.D=10mm
	874560	X	Hose	I.D=13mm
	874561	X	Hose	I.D=17mm
	874562	X	Hose	I.D=22mm
	874563	X	Hose	I.D=26mm
30	20429993	1	Pass-through	
31	8155903	X	Cable terminal	
32	874368	1	Receptacle housing	
33	20429872	1	Housing	
34	20429873	X	Insulator cover	
35	20450150	1	Adapter	
36	3943090	X	Manifold	
37	874456	1	Receptacle housing	
38	881788	X	Cable terminal	
	3842462	1	Voltage converter	12V, D3-D,E,F
39	969161	1	Fuse	10A
40	984945	X	Cable terminal	(3963408)
41	948995	1	Housing	
42	8159013	X	Housing	
43	874091	X	Housing	8-pole
44	874251	X	Cable terminal	Terminal socket

D3-110I-A, D3-110I-B, D3-110I-C, D3-130I-A, D3-130I-B, D3-130I-C, D3-160I-A, D3-160I-B, D3-160I-C, D3-190I-B, D3-190I-C

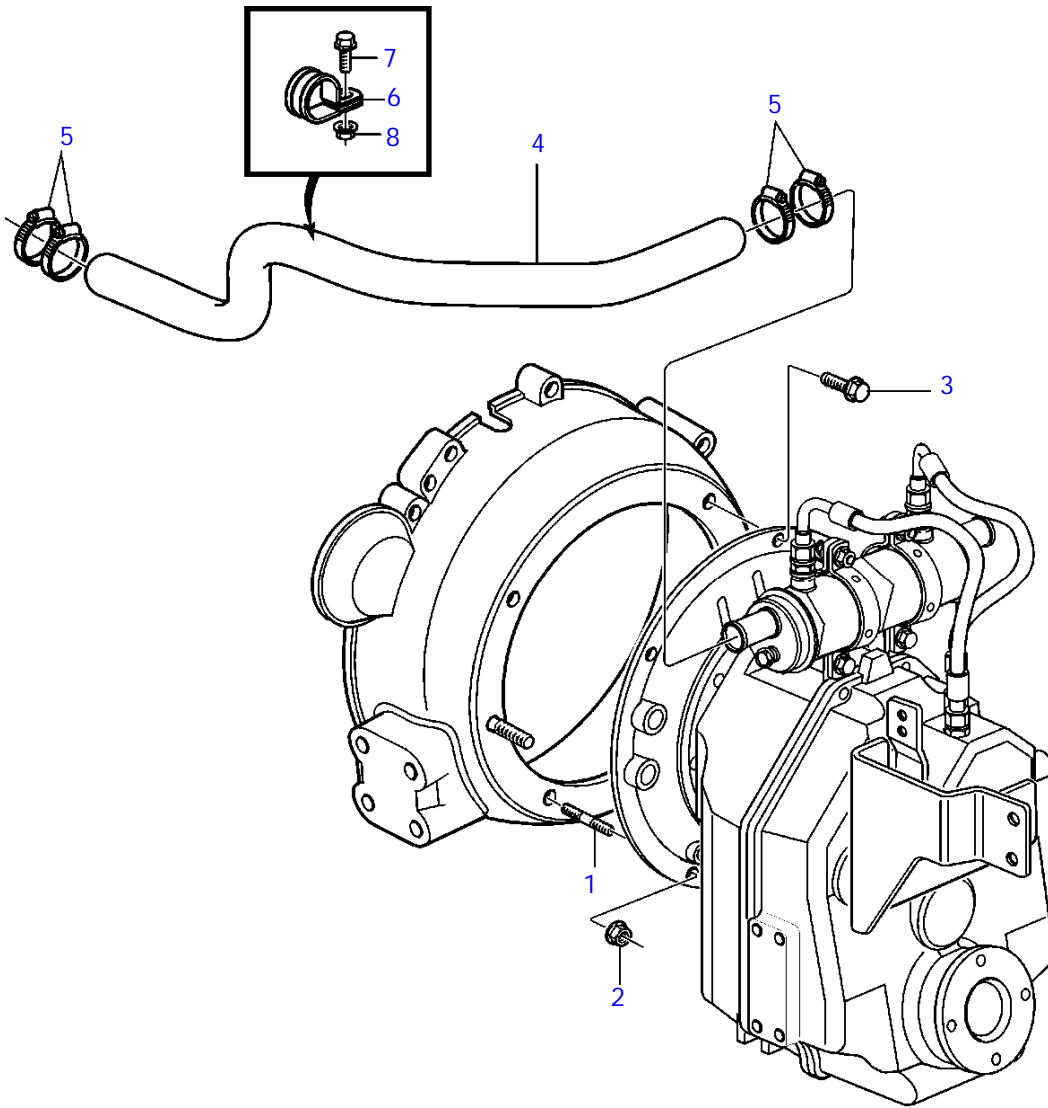


20413

D3-110I-A, D3-110I-B, D3-110I-C, D3-130I-A, D3-130I-B, D3-130I-C, D3-160I-A, D3-160I-B, D3-160I-C, D3-190I-B, D3-190I-C

REF	PART NO.	QTY	DESCRIPTION	NOTES
1	3807634	1	Hose	
2	993963	6	Hose clamp	
3	967645	1	Clamp	Mount on engine suspension.
4	947542	1	Flange screw	Mount on engine suspension.
5	945407	1	Flange nut	Mount on engine suspension.
6	861090	1	Tube	
7	953067	4	Stud	
8	971095	4	Flange nut	
9	946472	2	Flange screw	
10	3580798	1	Clamp	
11	944926	1	Flange screw	

D3-110I-A, D3-110I-B, D3-110I-C, D3-130I-A, D3-130I-B, D3-130I-C, D3-160I-A, D3-160I-B, D3-160I-C, D3-190I-B, D3-190I-C



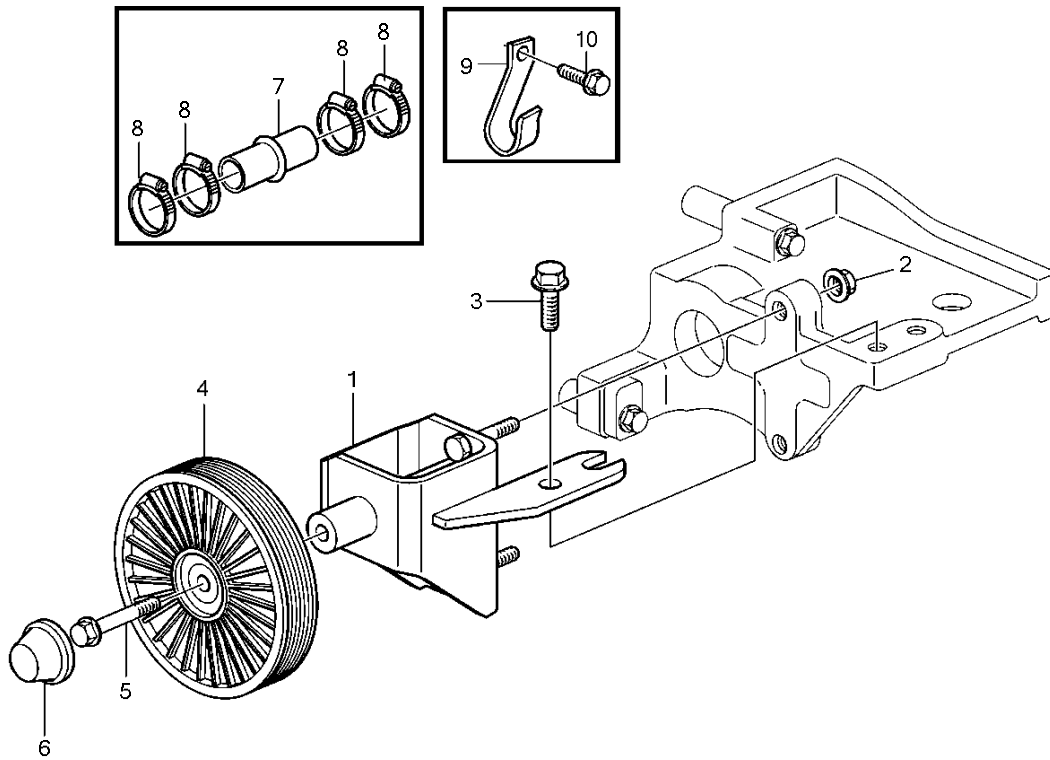
22704



D3-110I-A, D3-110I-B, D3-110I-C, D3-130I-A, D3-130I-B, D3-130I-C, D3-160I-A, D3-160I-B, D3-160I-C, D3-190I-B, D3-190I-C

REF	PART NO.	QTY	DESCRIPTION
1	953067	4	Stud
2	971095	4	Flange nut
3	946472	2	Flange screw
4	3817420	1	Hose
5	993963	4	Hose clamp
6	967645	1	Clamp
7	947542	1	Flange screw
8	945407	1	Flange nut

D3-110I-A, D3-110I-B, D3-110I-C, D3-130A-A, D3-130I-A, D3-130A-B, D3-130I-B, D3-130A-C, D3-130I-C, D3-160A-A, D3-160I-A, D3-160A-B, D3-160I-B, D3-160A-C, D3-160I-C, D3-190A-B, D3-190I-B, D3-190A-C, D3-190I-C

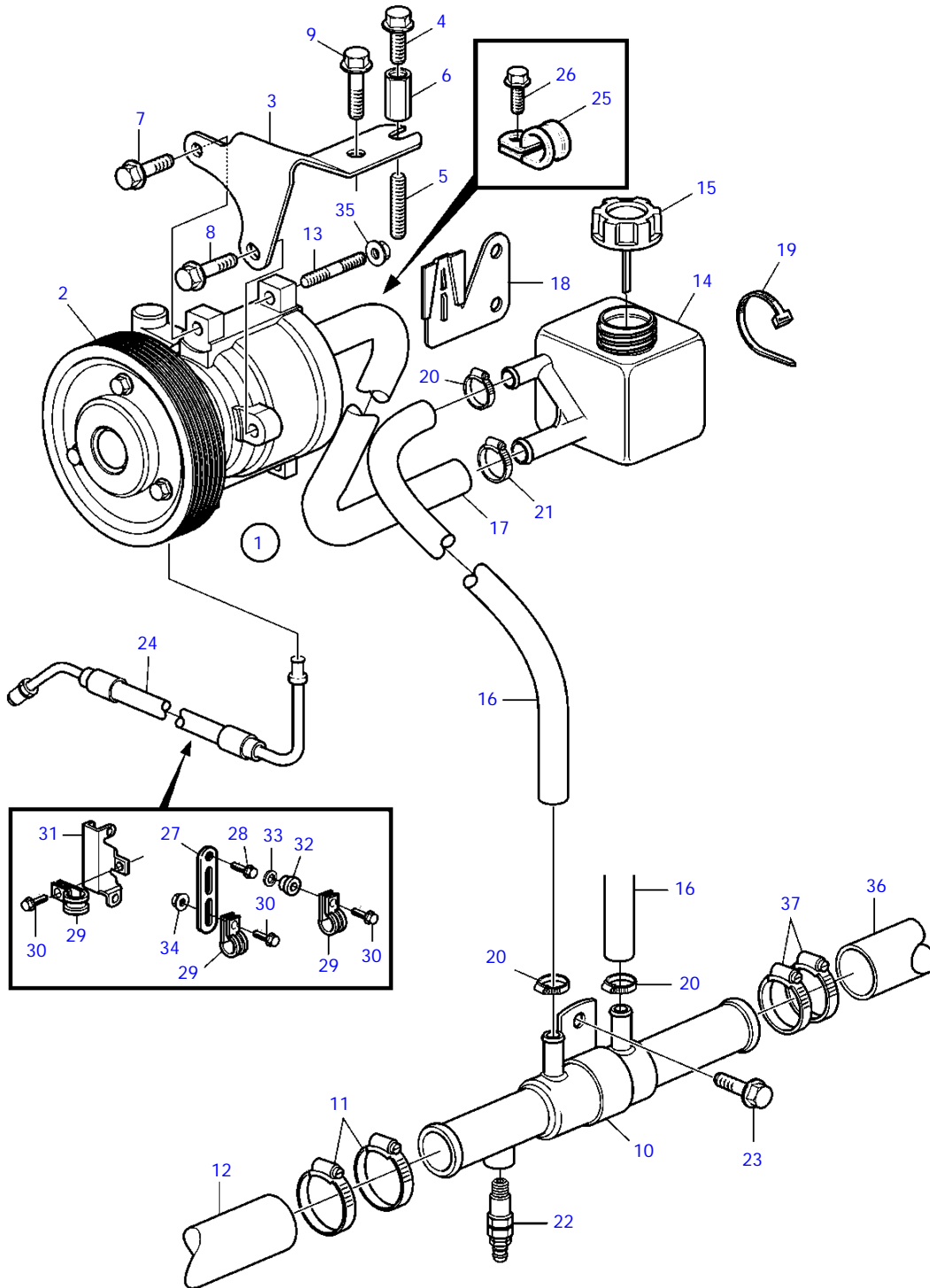


22865

D3-110I-A, D3-110I-B, D3-110I-C, D3-130A-A, D3-130I-A, D3-130A-B, D3-130I-B, D3-130A-C, D3-130I-C, D3-160A-A, D3-160I-A, D3-160A-B, D3-160I-B, D3-160A-C, D3-160I-C, D3-190A-B, D3-190I-B, D3-190A-C, D3-190I-C

REF	PART NO.	QTY	DESCRIPTION	NOTES
1	3887324	1	Adapter	
2	945408	2	Flange nut	
3	945444	1	Flange screw	M8x25mm
4	9458470	1	Pulley	
5	965186	1	Flange screw	M10x50mm
6	9125572	1	Cover	
7	861090	1	Tube	
8	943476	4	Hose clamp	
9	3580798	1	Clamp	
10	944926	1	Flange screw	

D3-130A-A, D3-130A-B, D3-130A-C, D3-160A-A, D3-160A-B, D3-160A-C, D3-190A-B, D3-190A-C

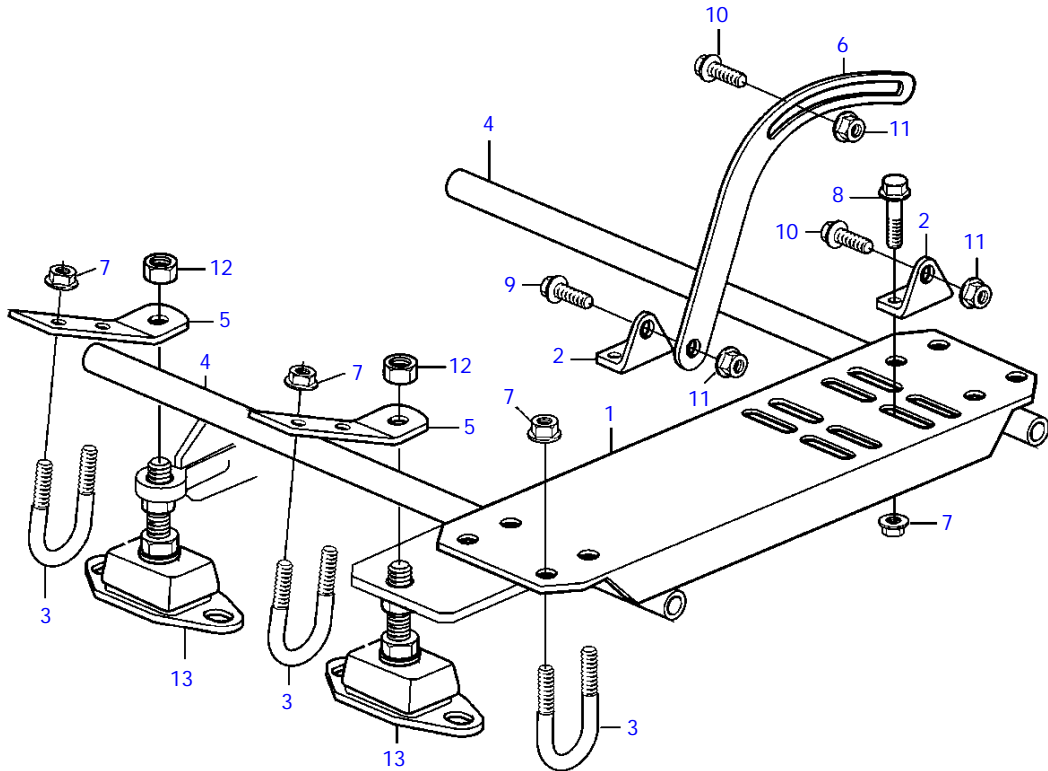


22701

D3-130A-A, D3-130A-B, D3-130A-C, D3-160A-A, D3-160A-B, D3-160A-C, D3-190A-B, D3-190A-C

REF	PART NO.	QTY	DESCRIPTION	NOTES
1	1359649	1	Power steering pump	
2	3583030	1	Pulley	
3	3584471	1	Bracket	
4	947107	1	Flange screw	
5	953045	1	Stud	For ground cable
6	855314	1	Nut	For ground cable
7	946440	1	Flange screw	For ground cable
8	946440	1	Flange screw	
9	945444	1	Flange screw	
10	3808545	1	Oil cooler	
11	961670	2	Hose clamp	
12	3584356	1	Hose	
13	953047	2	Stud	
14	6819752	1	Reservoir	
15	1359625	1	* Cover	
16	872217	2	Return hose	
17	941995	1	Hose	L=1.5m
18	856768	1	Bracket	
19	948211	1	Cable tie	
20	961664	3	Hose clamp	
21	943472	2	Hose clamp	
22	949918	1	Shut-off cock	
23	946440	1	Flange screw	
24	3588362	1	Hose, steering cylinder	
25	952637	1	Clamp	
26	946934	1	Flange screw	
27	965541	1	Bracket	
28	981177	1	Flange screw	
29	952631	3	Clamp	
30	967949	3	Flange screw	
31	3587913	1	Protecting plate	
32	3588129	1	Plug	
33	11998	1	Gasket	
34	945407	1	Flange nut	
35	945408	2	Flange nut	
36	3584445	1	Hose	
37	993963	2	Hose clamp	

D3-110I-A, D3-110I-B, D3-110I-C, D3-130A-A, D3-130I-A, D3-130A-B, D3-130I-B, D3-130A-C, D3-130I-C, D3-160A-A, D3-160I-A, D3-160A-B, D3-160I-B, D3-160A-C, D3-160I-C, D3-190A-B, D3-190I-B, D3-190A-C, D3-190I-C



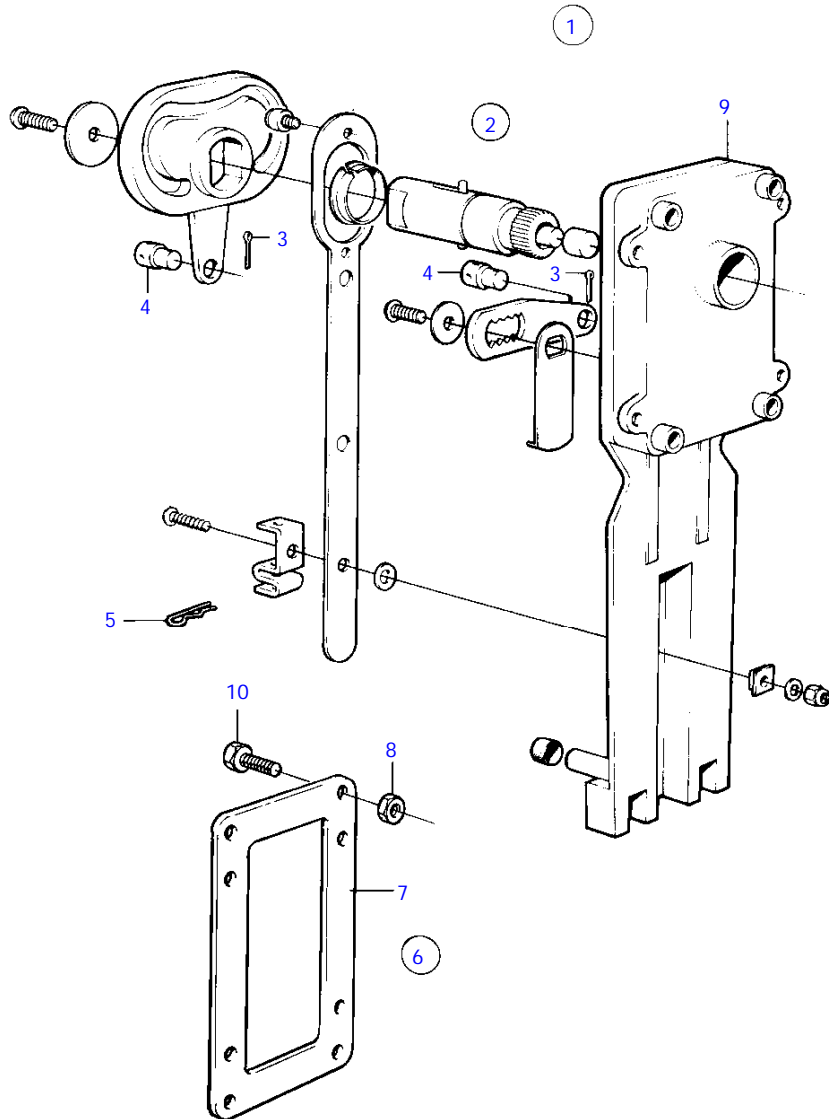
18973

D3-110I-A, D3-110I-B, D3-110I-C, D3-130A-A, D3-130I-A, D3-130A-B, D3-130I-B, D3-130A-C, D3-130I-C, D3-160A-A, D3-160I-A, D3-160A-B, D3-160I-B, D3-160A-C, D3-160I-C, D3-190A-B, D3-190I-B, D3-190A-C, D3-190I-C

REF	PART NO.	QTY	DESCRIPTION	SEE SEC.
1	3809859	1	Bracket	
2	854608	2	Tensioner	
3	3580739	8	Clamp	
4	3583506	2	Tube	
5	3809860	4	Bracket	
6	3583848	2	Anchorage	
7	945408	16	Flange nut	
8	945444	8	Flange screw	
9	946329	2	Flange screw	
10	946472	4	Flange screw	
11	971095	2	Flange nut	
12	955806	2	Hexagon nut	
			.	6636
13	846765	2	Rubber element	
			.	6636



D3-110I-A, D3-110I-B, D3-110I-C, D3-130A-A, D3-130I-A, D3-130A-B, D3-130I-B, D3-130A-C, D3-130I-C, D3-160A-A, D3-160I-A, D3-160A-B, D3-160I-B, D3-160A-C, D3-160I-C, D3-190A-B, D3-190I-B, D3-190A-C, D3-190I-C



8871



D3-110I-A, D3-110I-B, D3-110I-C, D3-130A-A, D3-130I-A, D3-130A-B, D3-130I-B, D3-130A-C, D3-130I-C, D3-160A-A, D3-160I-A, D3-160A-B, D3-160I-B, D3-160A-C, D3-160I-C, D3-190A-B, D3-190I-B, D3-190A-C, D3-190I-C

REF	PART NO.	QTY	DESCRIPTION	NOTES
1	1140095	1	Control mechanism	
2	(851712)	1	* Connector kit	Obsolete part
3	17253	2	* * Split pin	
4	839638	2	* * Cube	
5	852924	1	* * Clip	
6		1	* Mechanism	
7		1	* *	
8		4	* *	
9	(851665)	1	* * Control mechanism	Obsolete part
10	963548	4	* * Hexagon screw	

D3-110I-A, D3-110I-B, D3-110I-C, D3-130A-A, D3-130I-A, D3-130A-B, D3-130I-B, D3-130A-C, D3-130I-C, D3-160A-A, D3-160I-A, D3-160A-B, D3-160I-B, D3-160A-C, D3-160I-C, D3-190A-B, D3-190I-B, D3-190A-C, D3-190I-C

REF	PART NO.	QTY	DESCRIPTION	SEE SEC.	NOTES
1	21346756	1	Kit, water pump		
		1	* Impeller		Included in kit., Not sold separately.
	3583809	1	* O-ring		
	827247	1	* Sealing ring		
	3584349	1	* Sealing ring		
	21346724	4	* Screw		
	3584353	1	* Cardboard tube		
	3862178	1	* Grease		
	3593660	1	Impeller kit		
		1	* Impeller		Included in kit., Not sold separately.
	3862178	1	* Grease		
	3583809	1	* O-ring		
	3858938	1	* O-ring		
	21105842	1	Service kit		
	31261191	1	* Fuel filter		
	8692305	1	* Oil filter		
	3593660	1	* Impeller kit		
	3883844	1	Gasket kit, turbo		
	8631549	1	* Gasket		
	1275549	1	* Gasket		
	18665	2	* Gasket		
	3514546	1	* Gasket		
	3883845	1	Gasket kit		
	8631652	20	* Valve stem seal		
	8692438	1	* Gasket		
	8642665	1	* Gasket		
	8631561	1	* Sealing ring		
	30729340	1	* Gasket		(8631562)
	11994	2	* Gasket		
	3883844	1	* Gasket kit, turbo		
	3808069	1	Kit		Use kit for upgrading old electrical box (3588607) to new variant (3807556).
	3807556	1	* Box frame		
	3807834	2	* Cardboard tube		
	3807843	1	* Bracket		
	3807844	1	* Bracket		
	3807365	1	* Cable kit		
	968476	16	* Flange screw		
	949666	1	* Cable tie		
	21253185	1	* Insulating cover		
	21348726	1	Onboard kit		
	3593660	1	* Impeller kit		
	3843948	1	* Puller screw		
			* Bulletin P-08-2-1	P-08-2-1-EN	Impeller Removal Tool
1	21346724	4	* Screw		
	30731809	1	* Drive belt		
	994561	2	* Hose clamp		
	961671	2	* Hose clamp		
	994556	2	* Hose clamp		
	943471	2	* Hose clamp		
	948211	10	* Cable tie		
	978999	2	* Fuse		
	969011	2	* Gasket		
	858283	1	* Tape		
		1	* Installa.instruction		
	858631	1	* Bag		



--

DESCRIPTION	SEE SEC.	NOTES
Long Block, Exchange	21798	D3-110I-A, D3-130A-A, D3-130I-A, D3-160A-A, D3-160I-A
Long Block, Exchange	22421	D3-110I-B, D3-110I-C, D3-130A-B, D3-130I-B, D3-130A-C, D3-130I-C, D3-160A-B, D3-160I-B, D3-160A-C, D3-160I-C, D3-190A-B, D3-190I-B, D3-190A-C, D3-190I-C
Cylinder Head	6336	D3-110I-A, D3-130A-A, D3-130I-A, D3-160A-A, D3-160I-A
Cylinder Head	9298	D3-110I-B, D3-110I-C, D3-130A-B, D3-130I-B, D3-130A-C, D3-130I-C, D3-160A-B, D3-160I-B, D3-160A-C, D3-160I-C, D3-190A-B, D3-190I-B, D3-190A-C, D3-190I-C
Cylinder Block	6338	D3-110I-A, D3-130A-A, D3-130I-A, D3-160A-A, D3-160I-A
Cylinder Block	9531	D3-110I-B, D3-110I-C, D3-130A-B, D3-130I-B, D3-130A-C, D3-130I-C, D3-160A-B, D3-160I-B, D3-160A-C, D3-160I-C, D3-190A-B, D3-190I-B, D3-190A-C, D3-190I-C
Flywheel Housing	7169	D3-110I-A, D3-110I-B, D3-110I-C, D3-130I-A, D3-130I-B, D3-130I-C, D3-160I-A, D3-160I-B, D3-160I-C, D3-190I-B, D3-190I-C
Flywheel Housing	6375	D3-130A-A, D3-130A-B, D3-130A-C, D3-160A-A, D3-160A-B, D3-160A-C, D3-190A-B, D3-190A-C
Timing Gear Housing	9523	D3-110I-B, D3-110I-C, D3-130A-B, D3-130I-B, D3-130A-C, D3-130I-C, D3-160I-B, D3-160I-C, D3-130I-A, D3-130I-B, D3-130I-C, D3-160A-A, D3-160I-A, D3-160A-B, D3-160I-B, D3-160A-C, D3-160I-C, D3-190A-B, D3-190I-B, D3-190A-C, D3-190I-C
Camshaft	6337	D3-110I-A, D3-130A-A, D3-130I-A, D3-160A-A, D3-160I-A
Camshaft	9541	D3-110I-B, D3-110I-C, D3-130A-B, D3-130I-B, D3-130A-C, D3-130I-C, D3-160A-B, D3-160I-B, D3-160A-C, D3-160I-C, D3-190A-B, D3-190I-B, D3-190A-C, D3-190I-C
Crank Mechanism	7132	D3-110I-A, D3-130I-A, D3-160I-A
Crank Mechanism	9545	D3-110I-B, D3-130I-B, D3-160I-B, D3-190I-B
Crank Mechanism SN-2003016725	36517	D3-110I-C, D3-130I-C, D3-160I-C, D3-190I-C
Crank Mechanism SN2003016726-	21495	D3-110I-C, D3-130I-C, D3-160I-C, D3-190I-C
Crank Mechanism	21422	D3-130I-A, D3-160I-A
Crank Mechanism	6340	D3-130A-A, D3-160A-A
Crank Mechanism	9624	D3-130A-B, D3-130A-C, D3-160A-B, D3-160A-C, D3-190A-B, D3-190A-C
Engine Mounts, Front	6636	D3-110I-A, D3-110I-B, D3-110I-C, D3-130A-A, D3-130I-A, D3-130A-B, D3-130I-B, D3-130A-C, D3-130I-C, D3-160A-A, D3-160I-A, D3-160A-B, D3-160I-B, D3-160A-C, D3-160I-C, D3-190A-B, D3-190I-B, D3-190A-C, D3-190I-C
Engine Mounts for Reverse Gear HS25A-A and HS45A-A	7170	D3-110I-A, D3-110I-B, D3-110I-C, D3-130I-A, D3-130I-B, D3-130I-C, D3-160I-A, D3-160I-B, D3-160I-C, D3-190I-B, D3-190I-C
Engine Mounts for Reverse Gear HS63VE	9331	D3-110I-A, D3-110I-B, D3-110I-C, D3-130I-A, D3-130I-B, D3-130I-C, D3-160I-A, D3-160I-B, D3-160I-C, D3-190I-B, D3-190I-C
Engine Mounting	6316	D3-110I-A, D3-130A-A, D3-130I-A, D3-160A-A, D3-160I-A
Engine Mounting	9655	D3-110I-B, D3-110I-C, D3-130A-B, D3-130I-B, D3-130A-C, D3-130I-C, D3-160A-B, D3-160I-B, D3-160A-C, D3-160I-C, D3-190A-B, D3-190I-B, D3-190A-C, D3-190I-C
Engine Suspension for SX-Drive	6627	D3-130A-A, D3-130A-B, D3-130A-C, D3-160A-A, D3-160A-B, D3-160A-C, D3-190A-B, D3-190A-C
Engine Cover	6615	D3-110I-A, D3-110I-B, D3-110I-C, D3-130A-A, D3-130I-A, D3-130A-B, D3-130I-B, D3-130A-C, D3-130I-C, D3-160A-A, D3-160I-A, D3-160A-B, D3-160I-B, D3-160A-C, D3-160I-C, D3-190A-B, D3-190I-B, D3-190A-C, D3-190I-C



DESCRIPTION	SEE SEC.	NOTES
Lubricating System	6342	D3-110I-A, D3-130A-A, D3-130I-A, D3-160A-A, D3-160I-A
Lubricating System	35508	D3-110I-A, D3-130A-A, D3-130I-A, D3-160A-A, D3-160I-A
Lubricating System	9514	D3-110I-B, D3-110I-C, D3-130A-B, D3-130I-B, D3-130A-C, D3-130I-C, D3-160A-B, D3-160I-B, D3-160A-C, D3-160I-C, D3-190A-B, D3-190I-B, D3-190A-C, D3-190I-C
Lubricating System	35509	D3-110I-B, D3-110I-C, D3-130A-B, D3-130I-B, D3-130A-C, D3-130I-C, D3-160A-B, D3-160I-B, D3-160A-C, D3-160I-C, D3-190A-B, D3-190I-B, D3-190A-C, D3-190I-C
Oil Filter	6343	D3-110I-A, D3-130A-A, D3-130I-A, D3-160A-A, D3-160I-A
Oil Filter	9395	D3-110I-B, D3-110I-C, D3-130A-B, D3-130I-B, D3-130A-C, D3-130I-C, D3-160A-B, D3-160I-B, D3-160A-C, D3-160I-C, D3-190A-B, D3-190I-B, D3-190A-C, D3-190I-C



--

DESCRIPTION	SEE SEC.	NOTES
Fuel System	6324	D3-110I-A, D3-130A-A, D3-130I-A, D3-160A-A, D3-160I-A
Fuel System	9383	D3-110I-B, D3-110I-C, D3-130A-B, D3-130I-B, D3-130A-C, D3-130I-C, D3-160A-B, D3-160I-B, D3-160A-C, D3-160I-C, D3-190A-B, D3-190I-B, D3-190A-C, D3-190I-C
Fuel System	35576	D3-110I-B, D3-110I-C, D3-130A-B, D3-130I-B, D3-130A-C, D3-130I-C, D3-160A-B, D3-160I-B, D3-160A-C, D3-160I-C, D3-190A-B, D3-190I-B, D3-190A-C, D3-190I-C
Fuel Injector and Delivery Pipe	6350	D3-110I-A, D3-130A-A, D3-130I-A, D3-160A-A, D3-160I-A
Fuel Injector and Delivery Pipe	9583	D3-110I-B, D3-110I-C, D3-130A-B, D3-130I-B, D3-130A-C, D3-130I-C, D3-160A-B, D3-160I-B, D3-160A-C, D3-160I-C, D3-190A-B, D3-190I-B, D3-190A-C, D3-190I-C
Fuel Injection Pump	6605	D3-110I-A, D3-130A-A, D3-130I-A, D3-160A-A, D3-160I-A
Fuel Injection Pump	9552	D3-110I-B, D3-110I-C, D3-130A-B, D3-130I-B, D3-130A-C, D3-130I-C, D3-160A-B, D3-160I-B, D3-160A-C, D3-160I-C, D3-190A-B, D3-190I-B, D3-190A-C, D3-190I-C
Fuel Filter and Water Separator	6700	D3-110I-A, D3-110I-B, D3-110I-C, D3-130A-A, D3-130I-A, D3-130A-B, D3-130I-B, D3-130A-C, D3-130I-C, D3-160A-A, D3-160I-A, D3-160A-B, D3-160I-B, D3-160A-C, D3-160I-C, D3-190A-B, D3-190I-B, D3-190A-C, D3-190I-C
Fuel Filter and Water Separator	9044	D3-110I-A, D3-110I-B, D3-110I-C, D3-130A-A, D3-130I-A, D3-130A-B, D3-130I-B, D3-130A-C, D3-130I-C, D3-160A-A, D3-160I-A, D3-160A-B, D3-160I-B, D3-160A-C, D3-160I-C, D3-190A-B, D3-190I-B, D3-190A-C, D3-190I-C
Fuel Filter and Water Separator	9024	D3-110I-A, D3-110I-B, D3-110I-C, D3-130A-A, D3-130I-A, D3-130A-B, D3-130I-B, D3-130A-C, D3-130I-C, D3-160A-A, D3-160I-A, D3-160A-B, D3-160I-B, D3-160A-C, D3-160I-C, D3-190A-B, D3-190I-B, D3-190A-C, D3-190I-C
Fuel Filter and Water Separator, RINA-approved	37059	D3-110I-A, D3-110I-B, D3-110I-C, D3-130A-A, D3-130I-A, D3-130A-B, D3-130I-B, D3-130A-C, D3-130I-C, D3-160A-A, D3-160I-A, D3-160A-B, D3-160I-B, D3-160A-C, D3-160I-C, D3-190A-B, D3-190I-B, D3-190A-C, D3-190I-C



DESCRIPTION	SEE SEC.	NOTES
Regulator, VNT	6345	D3-110I-A, D3-110I-B, D3-110I-C, D3-130A-A, D3-130I-A, D3-130A-B, D3-130I-B, D3-130A-C, D3-130I-C, D3-160A-A, D3-160I-A, D3-160A-B, D3-160I-B, D3-160A-C, D3-160I-C, D3-190A-B, D3-190I-B, D3-190A-C, D3-190I-C
Exhaust Manifold and Turbocharger	6323	D3-110I-A, D3-130A-A, D3-130I-A, D3-160A-A, D3-160I-A
Exhaust Manifold and Turbocharger	9405	D3-110I-B, D3-110I-C, D3-130A-B, D3-130I-B, D3-130A-C, D3-130I-C, D3-160A-B, D3-160I-B, D3-160A-C, D3-160I-C, D3-190A-B, D3-190I-B, D3-190A-C, D3-190I-C
Exhaust Manifold and Turbocharger	35374	D3-110I-B, D3-110I-C, D3-130A-B, D3-130I-B, D3-130A-C, D3-130I-C, D3-160A-B, D3-160I-B, D3-160A-C, D3-160I-C, D3-190A-B, D3-190I-B, D3-190A-C, D3-190I-C
Exhaust Line and Air Filter	6610	D3-130A-A, D3-160A-A
Exhaust Line and Air Filter	9374	D3-130A-B, D3-160A-B
Exhaust Line and Air Filter	21548	D3-130A-C, D3-160A-C
Exhaust Line and Air Filter	9376	D3-190A-B
Exhaust Line and Air Filter	21549	D3-190A-C
Exhaust Line and Air Filter	7183	D3-110I-A, D3-130I-A, D3-160I-A
Exhaust Line and Air Filter	9373	D3-110I-B, D3-110I-C, D3-130I-B, D3-130I-C, D3-160I-B, D3-160I-C
Exhaust Line and Air Filter	9375	D3-190I-B, D3-190I-C
Air Filter with Installation Components	9370	D3-110I-B, D3-110I-C, D3-130A-B, D3-130I-B, D3-130A-C, D3-130I-C, D3-160A-B, D3-160I-B, D3-160A-C, D3-160I-C, D3-190A-B, D3-190I-B, D3-190A-C, D3-190I-C

DESCRIPTION	SEE SEC.	NOTES
Oil Cooler	6344	D3-110I-A, D3-130A-A, D3-130I-A, D3-160A-A, D3-160I-A
Oil Cooler	9379	D3-110I-B, D3-130A-B, D3-130I-B, D3-160A-B, D3-160I-B, D3-190A-B, D3-190I-B
Oil Cooler	21539	D3-110I-C, D3-130A-C, D3-130I-C, D3-160A-C, D3-160I-C, D3-190A-C, D3-190I-C
Heat Exchanger with Installation Parts	6721	D3-110I-A, D3-130A-A, D3-160A-A, D3-160I-A
Heat Exchanger with Installation Parts	9388	D3-110I-B, D3-110I-C, D3-130A-B, D3-130I-B, D3-130A-C, D3-130I-C, D3-160A-B, D3-160I-B, D3-160A-C, D3-160I-C
Heat Exchanger with Installation Parts	9389	D3-190A-B, D3-190I-B, D3-190A-C, D3-190I-C
Heat Exchanger, Components	6823	D3-110I-A, D3-130A-A, D3-130I-A, D3-160A-A, D3-160I-A
Heat Exchanger, Components	9371	D3-110I-B, D3-110I-C, D3-130A-B, D3-130I-B, D3-130A-C, D3-130I-C, D3-160A-B, D3-160I-B, D3-160A-C, D3-160I-C
Heat Exchanger, Components	9372	D3-190A-B, D3-190I-B, D3-190A-C, D3-190I-C
Water Pump and Installation Components	6354	D3-110I-A, D3-130A-A, D3-130I-A, D3-160A-A, D3-160I-A
Water Pump and Installation Components	9558	D3-110I-B, D3-110I-C, D3-130A-B, D3-130I-B, D3-130A-C, D3-130I-C, D3-160A-B, D3-160I-B, D3-160A-C, D3-160I-C, D3-190A-B, D3-190I-B, D3-190A-C, D3-190I-C
Aftercooler	6722	D3-110I-A, D3-130A-A, D3-130I-A, D3-160A-A, D3-160I-A
Aftercooler	9364	D3-110I-B, D3-110I-C, D3-130A-B, D3-130I-B, D3-130A-C, D3-130I-C, D3-160A-B, D3-160I-B, D3-160A-C, D3-160I-C
Aftercooler	9630	D3-190A-B, D3-190I-B, D3-190A-C, D3-190I-C
After Cooler, Components	6824	D3-110I-A, D3-130A-A, D3-130I-A, D3-160A-A, D3-160I-A
After Cooler, Components	9363	D3-110I-B, D3-110I-C, D3-130A-B, D3-130I-B, D3-130A-C, D3-130I-C, D3-160A-B, D3-160I-B, D3-160A-C, D3-160I-C
After Cooler, Components	9629	D3-190A-B, D3-190I-B, D3-190A-C, D3-190I-C
Sea Water Pump	6608	D3-110I-A, D3-130A-A, D3-130I-A, D3-160A-A, D3-160I-A
Sea Water Pump	35325	D3-110I-A, D3-130A-A, D3-130I-A, D3-160A-A, D3-160I-A
Sea Water Pump	9398	D3-110I-B, D3-130I-B
Sea Water Pump	9399	D3-110I-C, D3-130I-C, D3-160I-B, D3-160I-C, D3-190I-B, D3-190I-C
Sea Water Pump	9400	D3-130A-B
Sea Water Pump	9401	D3-130A-C, D3-160A-B, D3-160A-C, D3-190A-B, D3-190A-C
Expansion Tank	6623	D3-110I-A, D3-130A-A, D3-130I-A, D3-160A-A, D3-160I-A
Expansion Tank	9333	D3-110I-B, D3-110I-C, D3-130A-B, D3-130I-B, D3-130A-C, D3-130I-C, D3-160A-B, D3-160I-B, D3-160A-C, D3-160I-C, D3-190A-B, D3-190I-B, D3-190A-C, D3-190I-C
Hot Water Outlet	6748	D3-110I-A, D3-130A-A, D3-130I-A, D3-160A-A, D3-160I-A
Hot Water Outlet	21482	D3-110I-B, D3-110I-C, D3-130A-B, D3-130I-B, D3-130A-C, D3-130I-C, D3-160A-B, D3-160I-B, D3-160A-C, D3-160I-C, D3-190A-B, D3-190I-B, D3-190A-C, D3-190I-C
Water Intake	6825	D3-110I-A, D3-110I-B, D3-110I-C, D3-130I-A, D3-130I-B, D3-130I-C, D3-160I-A, D3-160I-B, D3-160I-C, D3-190I-B, D3-190I-C

--

DESCRIPTION	SEE SEC.	NOTES
Handle for Control with Power Trim, Evc. Side Installation	35577	D3-110I-A, D3-110I-B, D3-110I-C, D3-130A-A, D3-130I-A, D3-130A-B, D3-130I-B, D3-130A-C, D3-130I-C, D3-160A-A, D3-160I-A, D3-160A-B, D3-160I-B, D3-160A-C, D3-160I-C, D3-190A-B, D3-190I-B, D3-190A-C, D3-190I-C
Control Cables	36542	D3-110I-A, D3-110I-B, D3-110I-C, D3-130A-A, D3-130I-A, D3-130A-B, D3-130I-B, D3-130A-C, D3-130I-C, D3-160A-A, D3-160I-A, D3-160A-B, D3-160I-B, D3-160A-C, D3-160I-C, D3-190A-B, D3-190I-B, D3-190A-C, D3-190I-C
Control Cables, Type 233, 333, 443: Type 233	231	D3-110I-A, D3-110I-B, D3-110I-C, D3-130A-A, D3-130I-A, D3-130A-B, D3-130I-B, D3-130A-C, D3-130I-C, D3-160A-A, D3-160I-A, D3-160A-B, D3-160I-B, D3-160A-C, D3-160I-C, D3-190A-B, D3-190I-B, D3-190A-C, D3-190I-C
Control Cables, Type 233, 333, 443: Type 333	231B	D3-110I-A, D3-110I-B, D3-110I-C, D3-130A-A, D3-130I-A, D3-130A-B, D3-130I-B, D3-130A-C, D3-130I-C, D3-160A-A, D3-160I-A, D3-160A-B, D3-160I-B, D3-160A-C, D3-160I-C, D3-190A-B, D3-190I-B, D3-190A-C, D3-190I-C
Control Cables, Type 233, 333, 443: Type 443	231C	D3-110I-A, D3-110I-B, D3-110I-C, D3-130A-A, D3-130I-A, D3-130A-B, D3-130I-B, D3-130A-C, D3-130I-C, D3-160A-A, D3-160I-A, D3-160A-B, D3-160I-B, D3-160A-C, D3-160I-C, D3-190A-B, D3-190I-B, D3-190A-C, D3-190I-C





--

DESCRIPTION	SEE SEC.	NOTES
Alternator	6335	D3-110I-A, D3-130A-A, D3-130I-A, D3-160A-A, D3-160I-A
Alternator	9397	D3-110I-B, D3-130A-B, D3-130I-B
Alternator	9513	D3-110I-C, D3-130A-C, D3-130I-C, D3-160A-B, D3-160I-B, D3-160A-C, D3-160I-C, D3-190A-B, D3-190I-B, D3-190A-C, D3-190I-C
Mounting Kit, Extra Generator	9320	D3-110I-A, D3-110I-B, D3-110I-C, D3-130I-A, D3-130I-B, D3-130I-C, D3-160I-A, D3-160I-B, D3-160I-C, D3-190I-B, D3-190I-C
Mounting Kit, Extra Generator	35600	D3-110I-A, D3-110I-B, D3-110I-C, D3-130I-A, D3-130I-B, D3-130I-C, D3-160I-A, D3-160I-B, D3-160I-C, D3-190I-B, D3-190I-C
Starter Motor	6611	D3-110I-A, D3-110I-B, D3-110I-C, D3-130A-A, D3-130I-A, D3-130A-B, D3-130I-B, D3-130A-C, D3-130I-C, D3-160A-A, D3-160I-A, D3-160A-B, D3-160I-B, D3-160A-C, D3-160I-C, D3-190A-B, D3-190I-B, D3-190A-C, D3-190I-C
Electrical System	6771	D3-110I-A, D3-130A-A, D3-130I-A, D3-160A-A, D3-160I-A
Electrical System	9548	D3-110I-B, D3-110I-C, D3-130A-B, D3-130I-B, D3-130A-C, D3-130I-C, D3-160A-B, D3-160I-B, D3-160A-C, D3-160I-C, D3-190A-C, D3-190I-C
Electrical Box	6741	D3-110I-A, D3-110I-B, D3-110I-C, D3-130A-A, D3-130I-A, D3-130A-B, D3-130I-B, D3-130A-C, D3-130I-C, D3-160A-A, D3-160I-A, D3-160A-B, D3-160I-B, D3-160A-C, D3-160I-C, D3-190A-B, D3-190I-B, D3-190A-C, D3-190I-C
Electrical Box, Dual Station	21586	D3-110I-A, D3-110I-B, D3-110I-C, D3-130A-A, D3-130I-A, D3-130A-B, D3-130I-B, D3-130A-C, D3-130I-C, D3-160A-A, D3-160I-A, D3-160A-B, D3-160I-B, D3-160A-C, D3-160I-C, D3-190A-B, D3-190I-B, D3-190A-C, D3-190I-C
Instrument Panel, EVC	9625	D3-110I-A, D3-110I-B, D3-110I-C, D3-130A-A, D3-130I-A, D3-130A-B, D3-130I-B, D3-130A-C, D3-130I-C, D3-160A-A, D3-160I-A, D3-160A-B, D3-160I-B, D3-160A-C, D3-160I-C, D3-190A-B, D3-190I-B, D3-190A-C, D3-190I-C
Electrical Materials, Instrument EVC/MC-A	6639	D3-110I-A, D3-110I-B, D3-110I-C, D3-130A-A, D3-130I-A, D3-130A-B, D3-130I-B, D3-160A-A, D3-160I-A, D3-160A-B, D3-160I-B, D3-190A-B, D3-190I-B
Electrical Materials, Instrument EVC-B	21550	D3-110I-A, D3-110I-B, D3-130A-A, D3-130I-A, D3-130A-B, D3-130I-B, D3-160A-A, D3-160I-A, D3-160A-B, D3-160I-B, D3-190A-B, D3-190I-B
Electrical Materials, Instrument EVC-C	22159	D3-110I-C, D3-130A-C, D3-130I-C, D3-160A-C, D3-160I-C, D3-190A-C, D3-190I-C
Control Unit and Cables, EVC-A	6645	D3-110I-A, D3-130A-A, D3-130I-A, D3-160A-A, D3-160I-A
Control Unit and Cables, EVC-B	9604	D3-110I-B, D3-130A-B, D3-130I-B, D3-160A-B, D3-160I-B, D3-190A-B, D3-190I-B
Control Unit and Cables, EVC-C	21584	D3-110I-C, D3-130A-C, D3-130I-C, D3-160A-C, D3-160I-C, D3-190A-C, D3-190I-C
Control Panel, EVC-A	6393	D3-110I-A, D3-130A-A, D3-130I-A, D3-160A-A, D3-160I-A
Control Panel, EVC-B	9605	D3-110I-B, D3-130A-B, D3-130I-B, D3-160A-B, D3-160I-B, D3-190A-B, D3-190I-B
Control Panel, EVC-C	21622	D3-110I-A, D3-110I-B, D3-110I-C, D3-130A-A, D3-130I-A, D3-130A-B, D3-130I-B, D3-130A-C, D3-130I-C, D3-160A-A, D3-160I-A, D3-160A-B, D3-160I-B, D3-160A-C, D3-160I-C, D3-190A-B, D3-190I-B, D3-190A-C, D3-190I-C
Rudder Indicator Kit, SX & DPS Drive	35699	D3-110I-A, D3-110I-B, D3-110I-C, D3-130A-A, D3-130I-A, D3-130A-B, D3-130I-B, D3-130A-C, D3-130I-C, D3-160A-A, D3-160I-A, D3-160A-B, D3-160I-B, D3-160A-C, D3-160I-C, D3-190A-B, D3-190I-B, D3-190A-C, D3-190I-C
Electrical Materials	1963	D3-110I-A, D3-110I-B, D3-110I-C, D3-130A-A, D3-130I-A, D3-130A-B, D3-130I-B, D3-130A-C, D3-130I-C, D3-160A-A, D3-160I-A, D3-160A-B, D3-160I-B, D3-160A-C, D3-160I-C, D3-190A-B, D3-190I-B, D3-190A-C, D3-190I-C
Electrical Materials	1964	D3-110I-A, D3-110I-B, D3-110I-C, D3-130A-A, D3-130I-A, D3-130A-B, D3-130I-B, D3-130A-C, D3-130I-C, D3-160A-A, D3-160I-A, D3-160A-B, D3-160I-B, D3-160A-C, D3-160I-C, D3-190A-B, D3-190I-B, D3-190A-C, D3-190I-C
Electrical Materials	1965	D3-110I-A, D3-110I-B, D3-110I-C, D3-130A-A, D3-130I-A, D3-130A-B, D3-130I-B, D3-130A-C, D3-130I-C, D3-160A-A, D3-160I-A, D3-160A-B, D3-160I-B, D3-160A-C, D3-160I-C, D3-190A-B, D3-190I-B, D3-190A-C, D3-190I-C
Electrical Materials	4415	D3-110I-A, D3-110I-B, D3-110I-C, D3-130A-A, D3-130I-A, D3-130A-B, D3-130I-B, D3-130A-C, D3-130I-C, D3-160A-A, D3-160I-A, D3-160A-B, D3-160I-B, D3-160A-C, D3-160I-C, D3-190A-B, D3-190I-B, D3-190A-C, D3-190I-C
Electrical Materials	7003	D3-110I-A, D3-110I-B, D3-110I-C, D3-130A-A, D3-130I-A, D3-130A-B, D3-130I-B, D3-130A-C, D3-130I-C, D3-160A-A, D3-160I-A, D3-160A-B, D3-160I-B, D3-160A-C, D3-160I-C, D3-190A-B, D3-190I-B, D3-190A-C, D3-190I-C



--

DESCRIPTION	SEE SEC.	NOTES
Connecting Components for HS25A-A and HS45A-A	7168	D3-110I-A, D3-110I-B, D3-110I-C, D3-130I-A, D3-130I-B, D3-130I-C, D3-160I-A, D3-160I-B, D3-160I-C, D3-190I-B, D3-190I-C
Connecting Components for HS63VE	9330	D3-110I-A, D3-110I-B, D3-110I-C, D3-130I-A, D3-130I-B, D3-130I-C, D3-160I-A, D3-160I-B, D3-160I-C, D3-190I-B, D3-190I-C



--

DESCRIPTION	SEE SEC.	NOTES
Power Steering Pump Adapter	7173	D3-110I-A, D3-110I-B, D3-110I-C, D3-130A-A, D3-130I-A, D3-130A-B, D3-130I-B, D3-130A-C, D3-130I-C, D3-160A-A, D3-160I-A, D3-160A-B, D3-160I-B, D3-160A-C, D3-160I-C, D3-190A-B, D3-190I-B, D3-190A-C, D3-190I-C
Servo Pump and Cooler for Stern Drives	6607	D3-130A-A, D3-130A-B, D3-130A-C, D3-160A-A, D3-160A-B, D3-160A-C, D3-190A-B, D3-190A-C

--

DESCRIPTION	SEE SEC.	NOTES
General Bracket	9546	D3-110I-A, D3-110I-B, D3-110I-C, D3-130A-A, D3-130I-A, D3-130A-B, D3-130I-B, D3-130A-C, D3-130I-C, D3-160A-A, D3-160I-A, D3-160A-B, D3-160I-B, D3-160A-C, D3-160I-C, D3-190A-B, D3-190I-B, D3-190A-C, D3-190I-C
Control Mechanism: 1140095	17857	D3-110I-A, D3-110I-B, D3-110I-C, D3-130A-A, D3-130I-A, D3-130A-B, D3-130I-B, D3-130A-C, D3-130I-C, D3-160A-A, D3-160I-A, D3-160A-B, D3-160I-B, D3-160A-C, D3-160I-C, D3-190A-B, D3-190I-B, D3-190A-C, D3-190I-C

--

DESCRIPTION	SEE SEC.	NOTES
Repair Kits	7263	D3-110I-A, D3-110I-B, D3-110I-C, D3-130A-A, D3-130I-A, D3-130A-B, D3-130I-B, D3-130A-C, D3-130I-C, D3-160A-A, D3-160I-A, D3-160A-B, D3-160I-B, D3-160A-C, D3-160I-C, D3-190A-B, D3-190I-B, D3-190A-C, D3-190I-C



D3-110I-A, D3-110I-B, D3-110I-C, D3-130A-A, D3-130I-A, D3-130A-B, D3-130I-B,  
D3-130A-C, D3-130I-C, D3-160A-A, D3-160I-A, D3-160A

--

REF	DESCRIPTION	SEE SEC.
21	Engine	21
22	Lubricating System	22
23	Fuel System	23
25	Intake and Exhaust System	25
26	Cooling System	26
27	Controls	27
30	Electrical System	30
44	Transmissions	44
64	Steering System	64
90	Miscellaneous Equipment	90
99	Repair Kits	99

--	--	--

