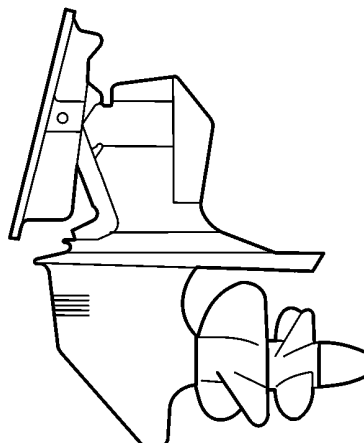
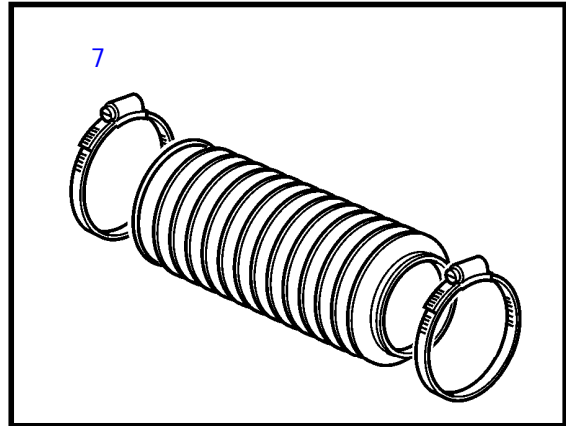
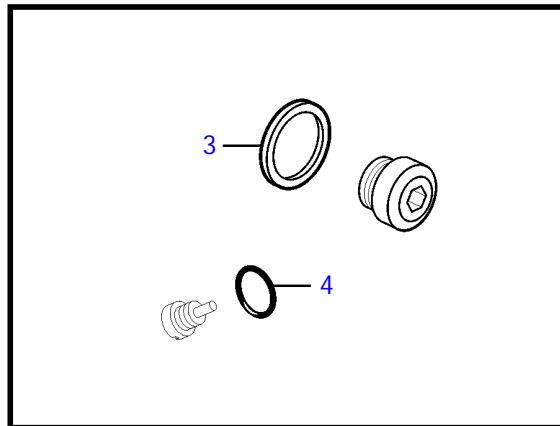
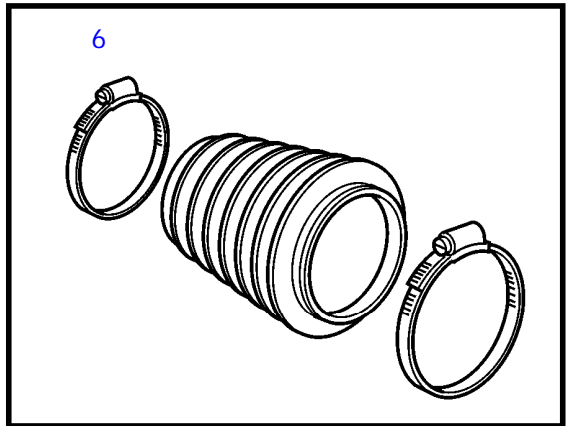
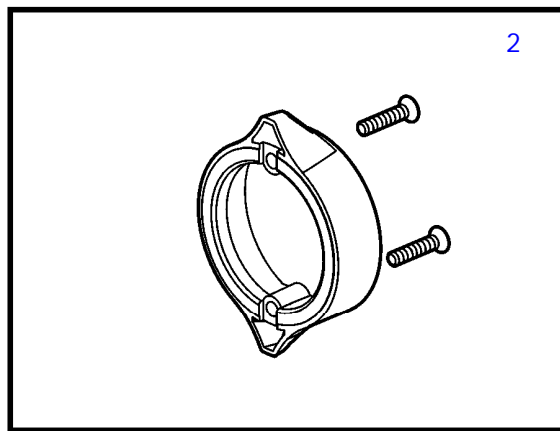
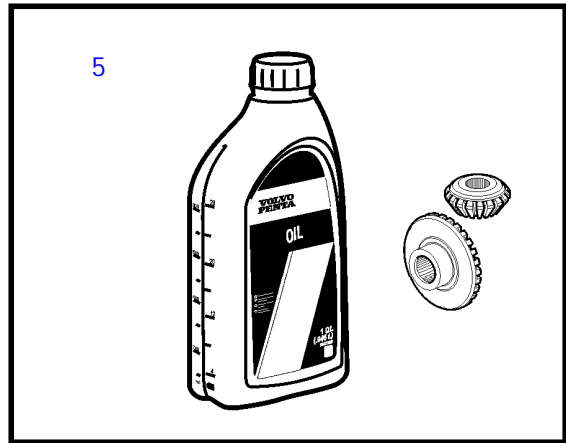
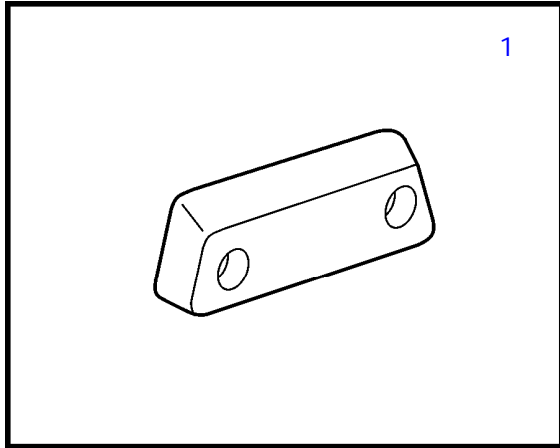


DP-E

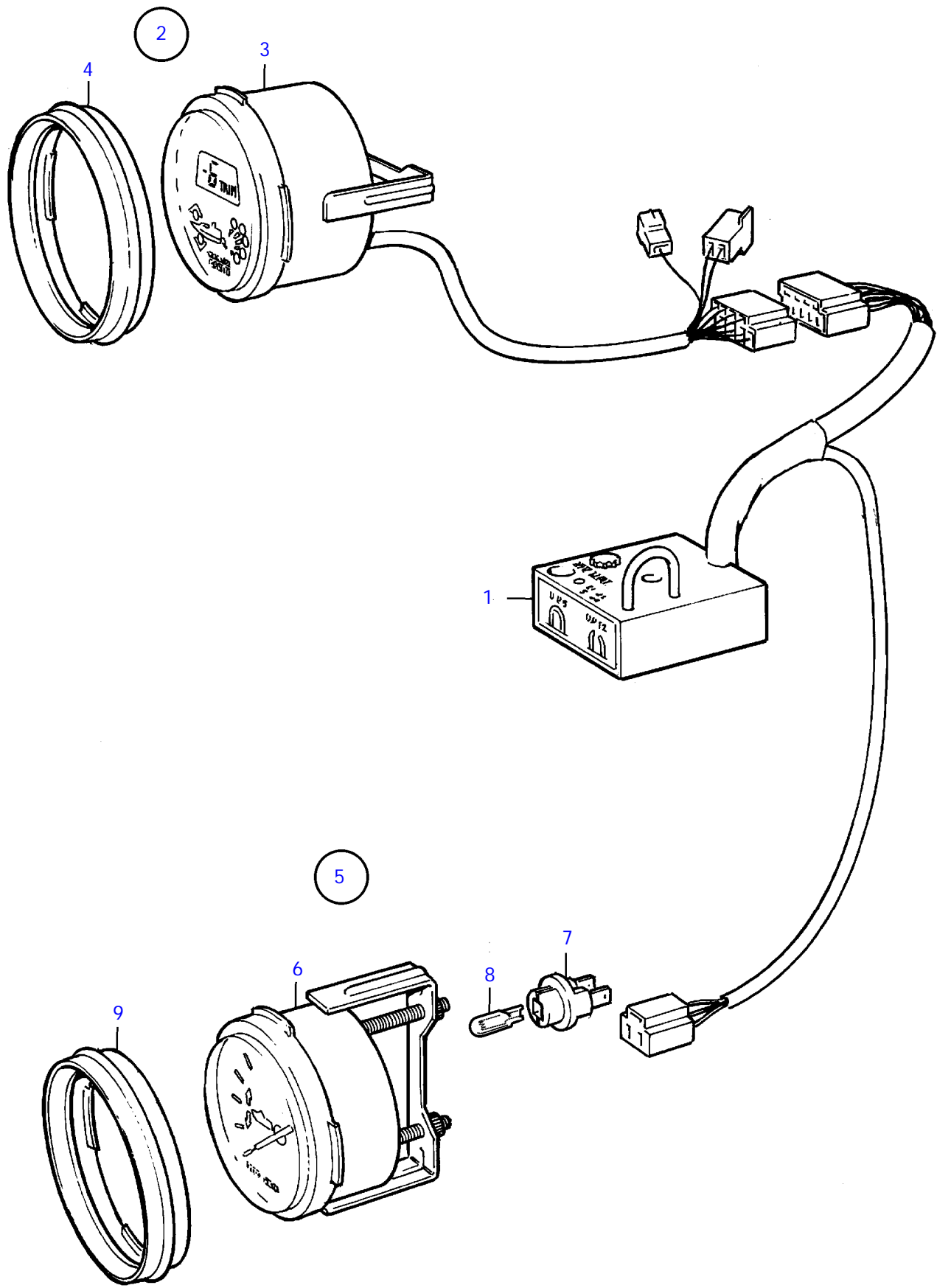


25156

DP-E

REF	PART NO.	QTY	DESCRIPTION	SEE SEC.	NOTES
1	852835	1	Zinc electrode		
	873178	1	Magnesium anode		
2	875821	1	Zinc ring kit		
	876138	1	Anode kit, magnesium		
3	897682	1	Gasket		
4	955974	1	O-ring		
5		X	Transmission oil		Fill level is determined by dipstick
		X	Transmission oil		USA
	1141679	3	Transmission oil		12x1 qt
	1141680	1	Transmission oil		4x1 gal
	1141681	1	Transmission oil		5 US gal
		X	Transmission oil		Europe and other markets
	3809443	3	Transmission oil		1L
	1161995	1	Oil		5L
	3809441	1	Transmission oil		20L
6	876294	1	Bellows kit, u-joint		
			• Bulletin P-44-1-11	P-44-1-11-EN	DPH/DPR U-Joint Bellows
6	853012	1	• Hose clamp		
	853013	1	• Hose clamp		
7	876631	1	Bellows kit, exhaust		
	872531	2	• Hose clamp		

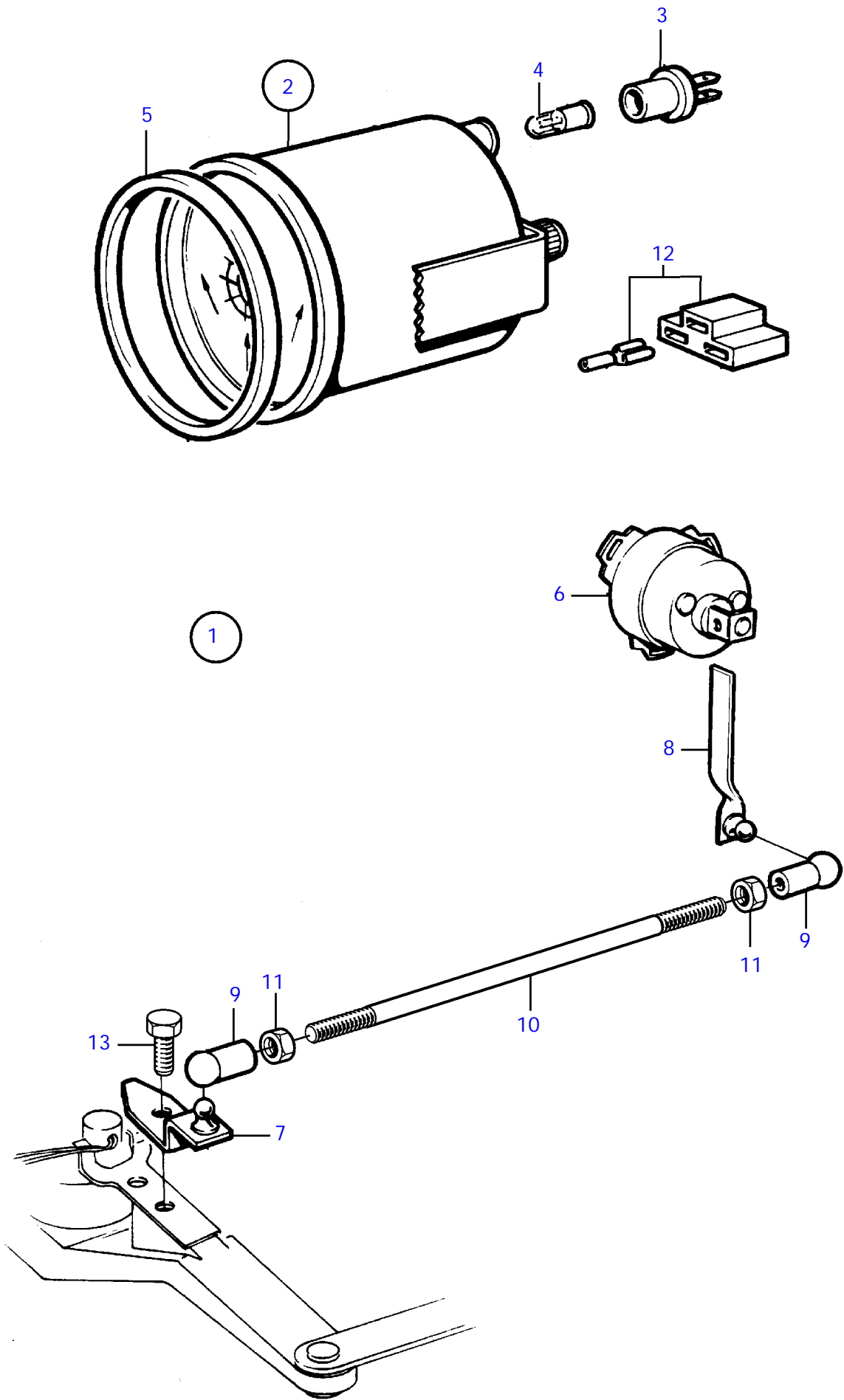
DP-E, SP-E



DP-E, SP-E

REF	PART NO.	QTY	DESCRIPTION	NOTES
1	873226	1	Control unit	
2	(873227)	1	Trimmer	Digital, Obsolete part
3	872498	1	• Trimmer	
4	858643	1	• Front ring	
5	(873136)	1	Trimmer	Analog, Obsolete part
6		1	• Trimmer	
7	863945	1	• Lamp socket	
8	863946	1	• Bulb	Red
9	858643	1	• Front ring	

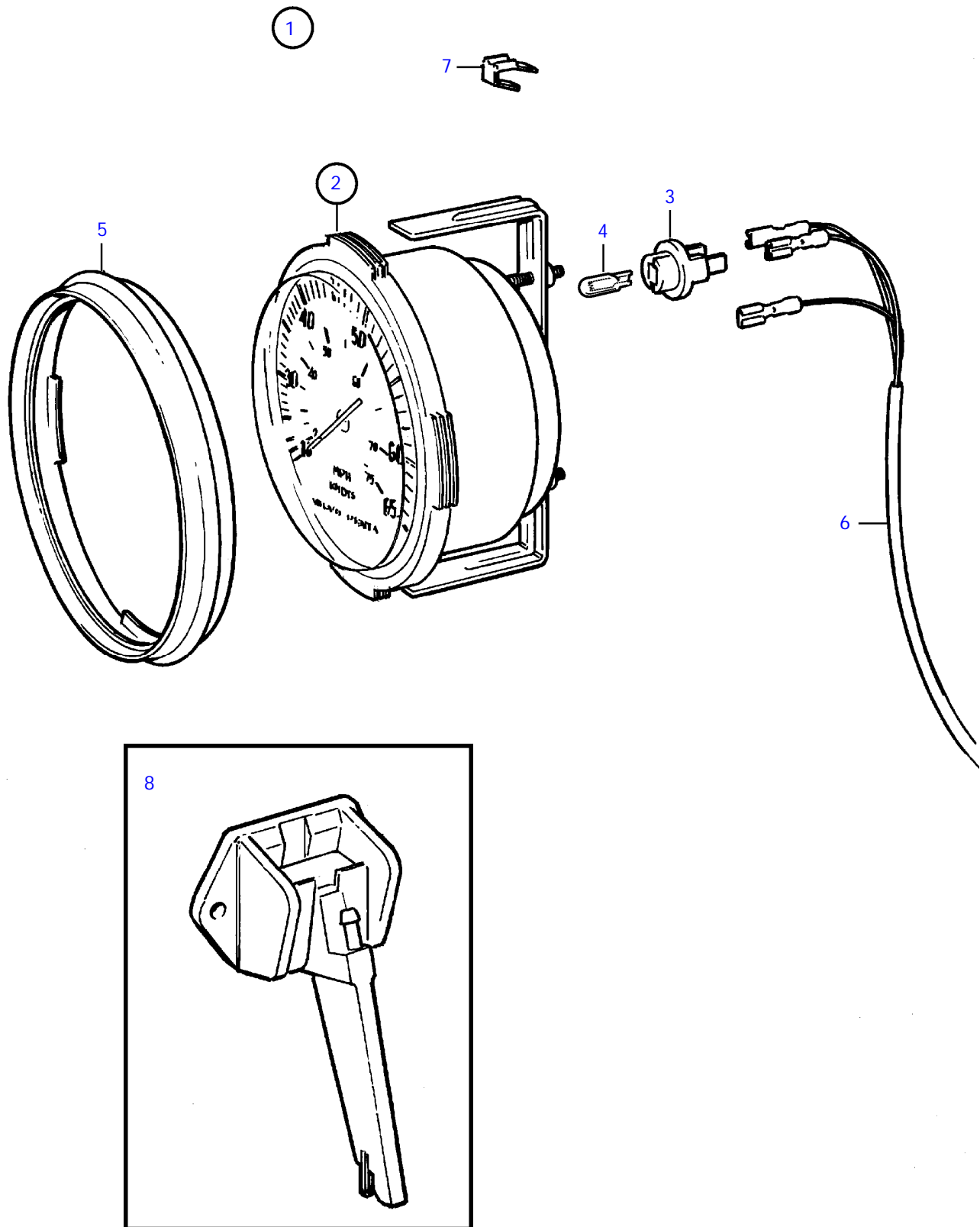
DP-E, SP-E



DP-E, SP-E

REF	PART NO.	QTY	DESCRIPTION	SEE SEC.	NOTES
1	1140463	1	Rudder indicator kit		
2	863944	1	• Rudder indicator		
3	863945	1	• • Lamp socket		
4	863946	1	• • Bulb		12V, 1,2W red
5	858643	1	• Front ring		
6	837772	1	• Position sensor		
7	853176	1	• Bracket		
8	853177	1	• Intermediate lever		
9	946704	1	• Ball socket		Left hand threads.
	946703	1	• Ball socket		Right HAND THReaDS.
10	943549	1	• Control rod		
11	942836	1	• Hexagon nut		Left hand threads.
	955780	1	• Hexagon nut		Right HAND THReaDS.
12		X	• electrical materials	1963	
13	940199	1	Hexagon screw		

DP-E, SP-E

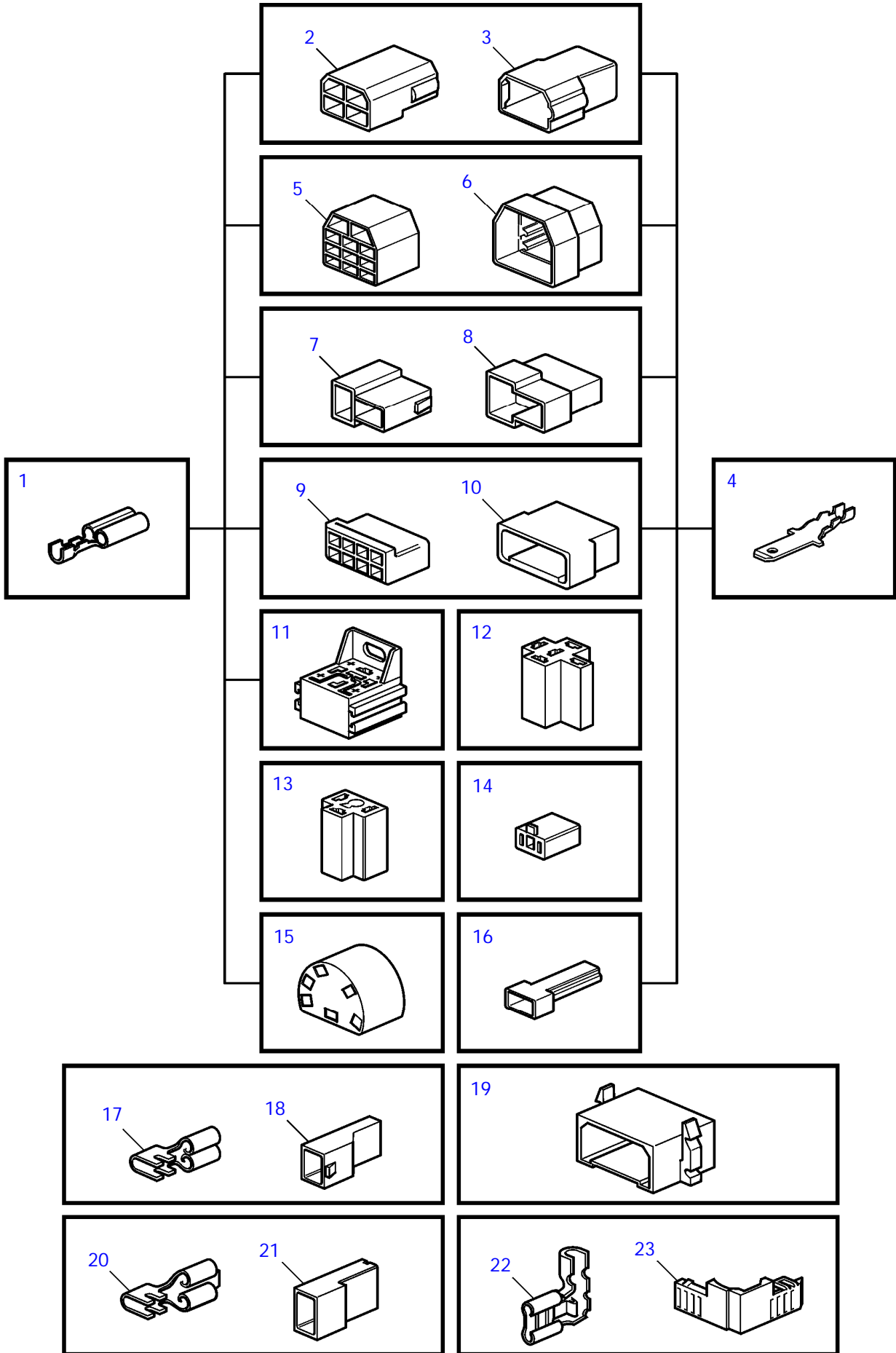


18579

DP-E, SP-E

REF	PART NO.	QTY	DESCRIPTION
1	1140433	1	Pressure log kit
2	856810	1	• Pressure log
3	863945	1	• • Lamp socket
4	863946	1	• • Bulb
5	856805	1	• Ring
6	856865	1	• Cable kit
7	943950	1	• Switch
8	856818	1	• Connector kit

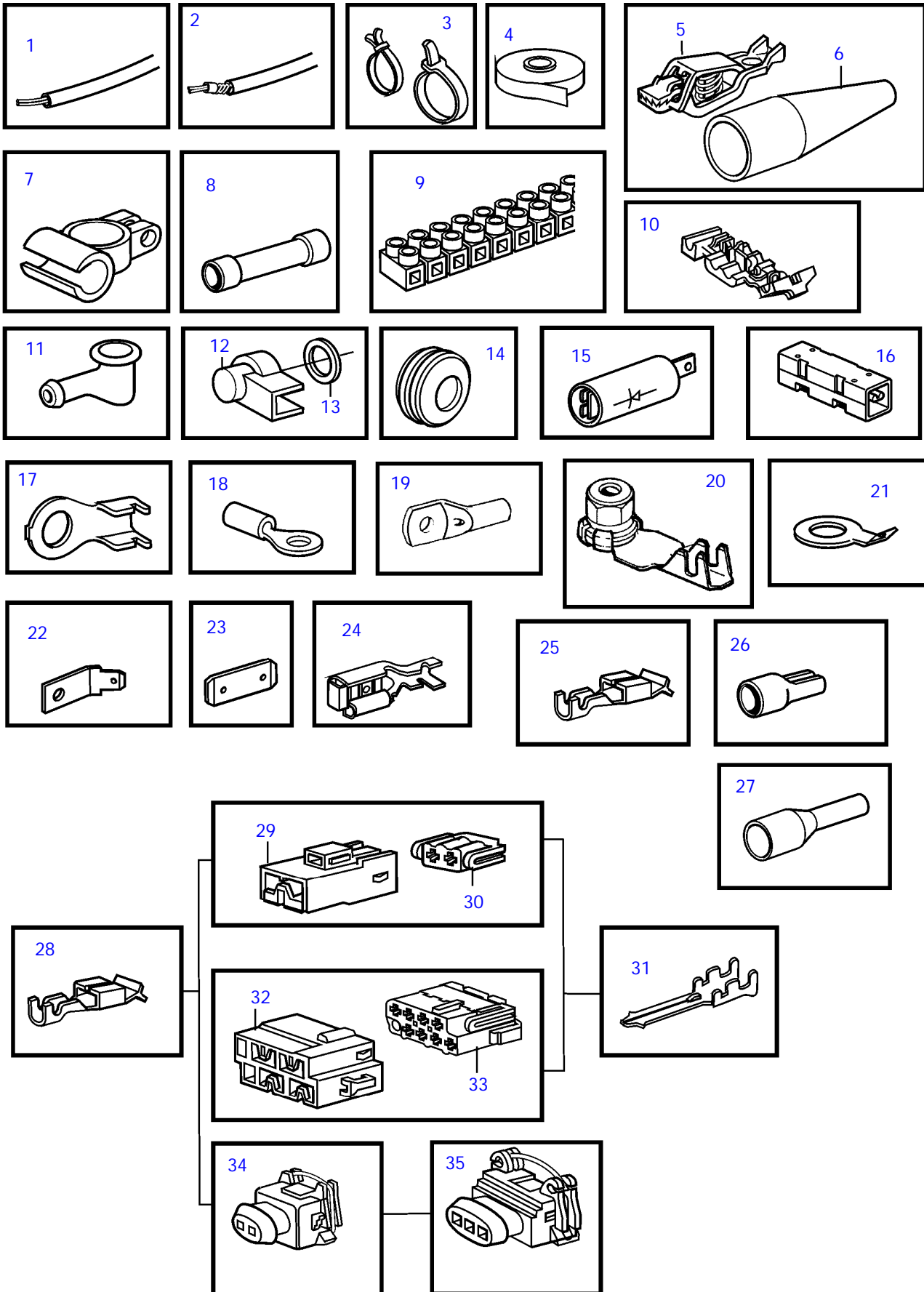
DP-E, SP-E



DP-E, SP-E

REF	PART NO.	DESCRIPTION	NOTES
1	973150	Cable terminal	6,3x0,8x1,1-2,5mm ²
	949206	Cable terminal	6,3x0,8x4,0-6,0mm ²
2	948856	Housing	6,3x4 natural
3	948855	Housing	6,3x4 natural
4	973117	Cable terminal	6,3x0,8x0,5-1,0mm ²
	881487	Cable terminal	6,3x0,8x0,75-2,5mm ²
	881488	Cable terminal	6,3x0,8x4,0-6,0mm ²
5	945830	Housing	6,3x11 natural
6	945831	Tab housing	6,3x11 natural
7	958210	Housing	6,3x2 black
8	958209	Housing	6,3x2 black
9	944076	Housing	6,3x8 natural
10	948857	Housing	6,3x8 natural
11	977184	Housing	6,3x5x4,8/2,8x4
12	1214948	Housing	6,3x5 black
13	945469	Housing	6,3x3 black
14	1578937	Housing	6,3x2 natural
15	828624	Receptacle housing	6,3x6
16		Housing	6,3x1 black
17	949405	Cable terminal	4,8x1,1-2,5mm ²
18	947848	Housing	4,8x1 natural
19	944077	Housing	6,3x8 natural
20	881483	Cable terminal	6,3x0,8x1,1-2,5mm ²
	881484	Cable terminal	6,3x0,8x4,0-6,0mm ²
21	949597	Housing	6,3x1 natural
	943511	Housing	6,3x1 natural
22	881489	Cable terminal	6,3x0,8x1,1-2,5
23	944221	Housing	6,3x1 natural

DP-E, SP-E



18567

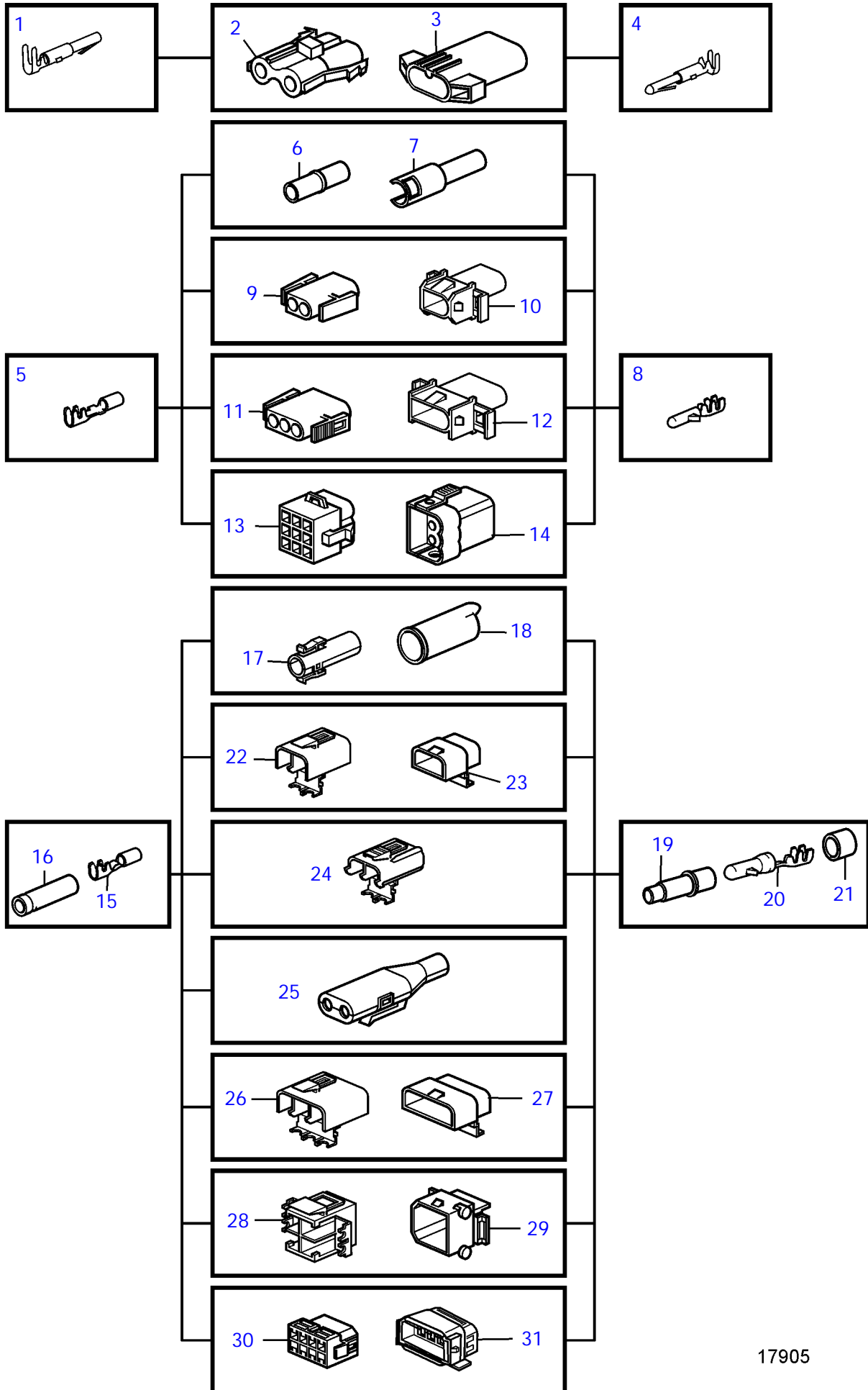
DP-E, SP-E

REF	PART NO.	DESCRIPTION	NOTES
1	970624	Electric cable, type RK	1,5mm ² , black
	970626	Electric cable, type RK	1,5mm ² , red
	970661	Electric cable, type R2	1,5mm ² , red
	(970663)	Electric cable, type R2	Obsolete part, 2,5mm ² , black
	970698	Electric cable, type R2	2,5mm ² , red
	970700	Electric cable, type RK	4,0mm ² , black
	(970709)	Electric cable, type RK	Obsolete part, 6,0mm ² , black
	970711	Electric cable, type R2	6,0mm ² , red
	954485	Electric cable, type RK	16,0mm ² , red
	(954500)	Electric cable, type RK	Obsolete part, 25,0mm ² , red
	954502	Electric cable, type RK	35,0mm ² , red
2	874854	Power cable	Non reinforced ship cable approved by classification societies., 2x1,5mm ²
	(863657)	Cable	Obsolete part, Reinforced ship cable approved by classification societies., 4,0mm ² , red
	874855	Power cable	Non reinforced ship cable approved by classification societies., 2x2,5mm ²
	(842092)	Cable	Obsolete part, Non reinforced ship cable approved by classification societies., 3x1,5mm ²
	(874858)	Power cable	Obsolete part, Non reinforced ship cable approved by classification societies., 6,0mm ² , black
	(842090)	Cable	Obsolete part, Non reinforced ship cable approved by classification societies., 16,0mm ² , red
	874861	Power cable	Non reinforced ship cable approved by classification societies., 25,0mm ² , red
	874862	Power cable	Non reinforced ship cable approved by classification societies., 35,0mm ² , red
	846639	Electric cable	Non reinforced ship cable approved by classification societies., 2x1,5mm ²
	874870	Power cable	Non reinforced ship cable approved by classification societies., 2x1,5mm ²
	872679	Wiring harness	(846346)
	872939	Adapter	(846346)
	(874346)	Electric cable	Obsolete part, Reinforced ship cable approved by classification societies., RFOU 0,6/1kv
3	948211	Cable tie	3x1,5mm ²
	949666	Cable tie, with mount. Hole	3x4,0mm ²
	948616	Cable tie	3x6,0mm ²
	862832	Cable tie, steel	4x1,5mm ²
4	858283	Tape	4x2,5mm ²
5	844280	Clip, battery cable +pole	16x1,5mm ²
6	(844278)	Isolation	Obsolete part, Red
	(844279)	Isolation	Obsolete part, Black
7	954505	Cable terminal, battery cable -pole	D=77mm L=280mm
	954506	Cable terminal, battery cable +pole	D=42mm L=170mm
8	956956	Splice	D=102mm L=362mm
	956958	Splice	1,5-2,5mm ² , blue
	956960	Splice	L=61mm
9	926219	Coupling piece	Black
10	944306	Connector	Blue
11	829200	Protective cap	0,5-1,0mm ² , red
12	1234326	Protecting casing	1,5-2,5mm ² , blue
13	960140	Washer	3-6mm ² , yellow
14	941269	Plug	Max 20mm ² , 12-pole
	821053	Protecting bushing	I.D=35mm
	943920	Plug	I.D=40mm
15		Diode	
16		Diode	
17	970788	Cable terminal	M5x1,1-2,5mm ²
	970789	Cable terminal	M6x1,1-2,5mm ²
	(970791)	Cable terminal	Obsolete part, M10x1,1-2,5mm ²
18	881492	Cable terminal	M4x1,1-2,5mm ²
	881493	Cable terminal	M5x1,1-2,5mm ²
	881508	Cable terminal	M6x1,1-2,5mm ²
	881494	Cable terminal	M8x1,1-2,5mm ²
	881504	Cable terminal	M10x1,1-2,5mm ²
	881506	Cable terminal	M4x2,6-6,0mm ²
	881495	Cable terminal	M5x2,6-6,0mm ²
	881496	Cable terminal	M6x2,6-6,0mm ²
	881497	Cable terminal	M8x2,6-6,0mm ²
	881498	Cable terminal	M10x2,6-6,0mm ²
	940331	Cable terminal	M5x6,1-10,0mm ²
	940332	Cable terminal	M6x6,1-10,0mm ²
	940333	Cable terminal	M8x6,1-10,0mm ²
	(940334)	Cable terminal	Obsolete part, M10x6,1-10,0mm ²
	881512	Cable terminal	M5x10,1-16,0mm ²
	940335	Cable terminal	M6x10,1-16,0mm ²
	940336	Cable terminal	M8x10,1-16,0mm ²
	940337	Cable terminal	M10x10,1-16,0mm ²
19	949587	Cable terminal	M10x10mm ²
20	8140576	Nut	M4
21	865758	Cable terminal	I.D=12,5 D=23mm
22	944485	Cable terminal	6,3xM5x180
23	839328	Tab	16,3x6,3x0,8
24	881491	Cable terminal	6,3x0,75-2,1mm ²
25	853015	Cable terminal	For trim instrument., For 853866, Yasaki
26	942429	Cable terminal	For 853866, Yasaki
27	3829867	Cable terminal	
	3829868	Cable terminal	
28	970777	Cable terminal	
29	968377	Housing	2,8x2 natural
	968379	Housing	2,8x2 gray
30	968376	Housing	4,8/2,8x2 natural
	968378	Housing	4,8/2,8x2 gray
31	974313	Cable terminal	2,8x0,8x1,1-2,5mm ²
32	968401	Housing	2,8x8 natural
33	968400	Housing	4,8/2,8x8 natural
34	976256	Housing	2-pole

DP-E, SP-E

REF	PART NO.	DESCRIPTION	NOTES
35	967713	Housing	3-pole

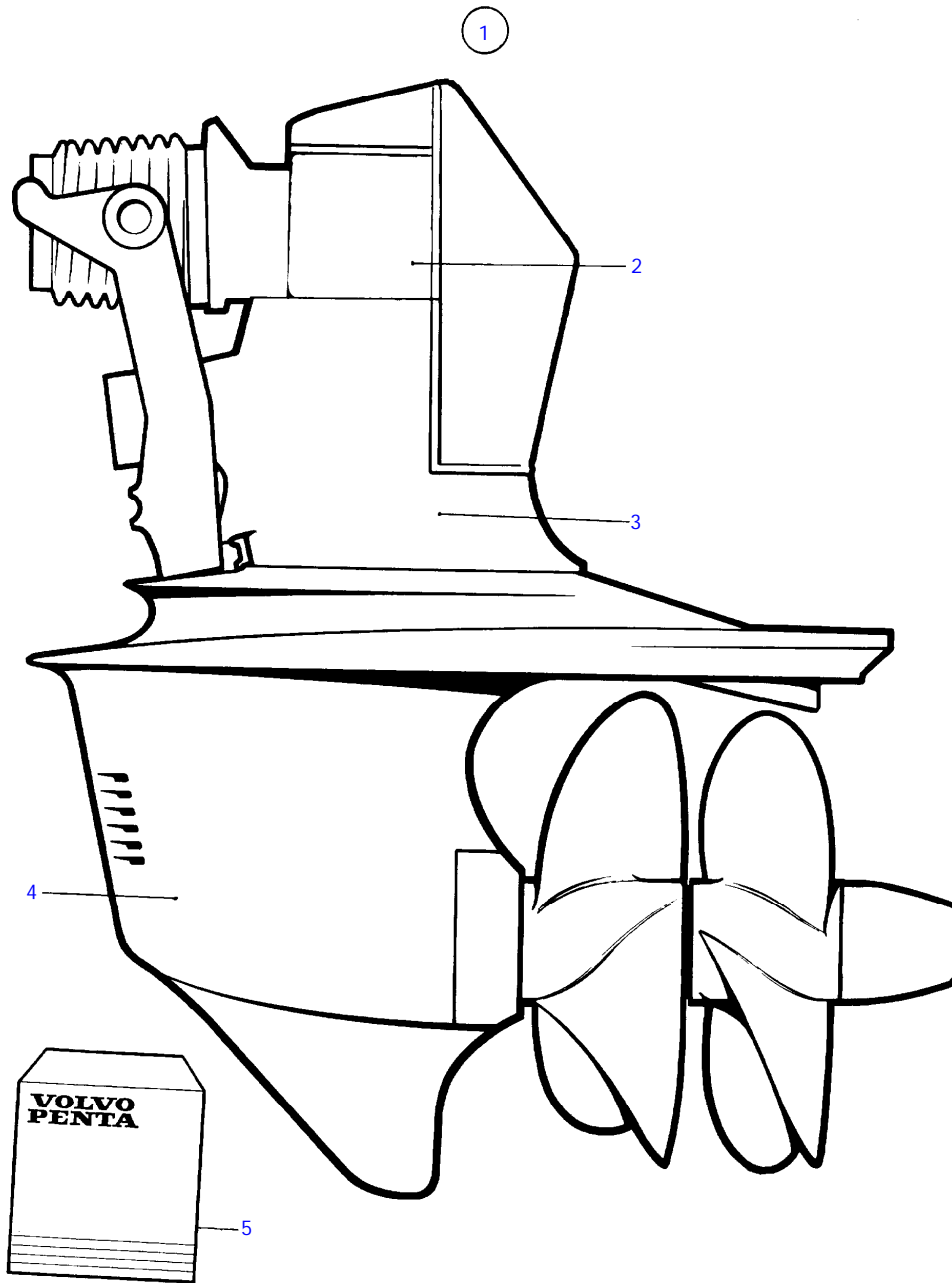
DP-E, SP-E



17905

DP-E, SP-E

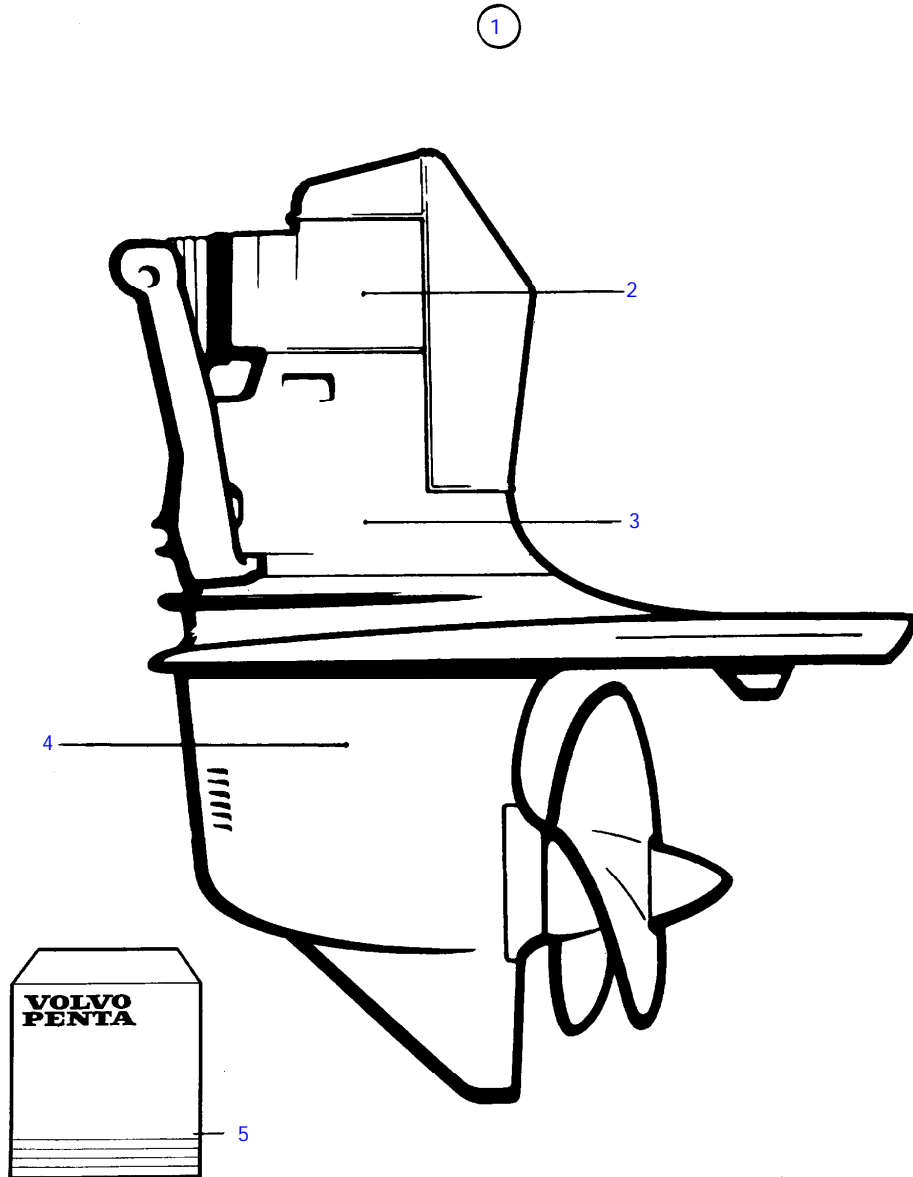
REF	PART NO.	DESCRIPTION	NOTES
1	946038	Cable terminal	2,1x0,5-1mm ²
2	944224	Housing	2-pole
3	944223	Housing	2-pole
4		Cable terminal	Not marketed by Volvo Penta., 2,1x0,5-1mm ²
5	965822	Cable terminal	3,5x1,1-2,5mm ²
	948289	Cable terminal	3,5x2,5-4,0mm ²
6	949584	Housing	3,5x1 natural
7	949583	Housing	3,5x1 natural
8	969831	Cable terminal	3,5x0,5-1mm ²
	965824	Cable terminal	3,5x1,1-2,5mm ²
	965825	Cable terminal	3,5x2,6-4,0mm ²
9	948996	Housing	3,5x2 natural
10	948995	Housing	3,5x2 natural
11	948296	Housing	3,5x3 natural
12	948297	Housing	3,5x3 natural
13	948294	Housing	3,5x9 natural
14	948295	Housing	3,5x9 natural
15	949371	Cable terminal	3,5x0,75-1,5mm ²
	1598753	Insulator	3,5x2,5-4,5mm ²
16	1598753	Insulator	
17	1307035	Housing	1-pole
18	1308436	Housing	1-pole
19	1608765	Insulator	
20	965824	Cable terminal	3,5x2,5-4,5mm ²
21	1608766	Seal	
22	1307048	Housing	2-pole
23	1307049	Housing	2-pole
24	970753	Housing	2-pole
25	1624477	Housing	2-pole
26	1259828	Housing	3-pole
27	3523442	Pin housing	3-poliq (1259829)
28	1259830	Housing	4-pole
29	1259831	Housing	4-pole
30	966812	Housing	8-pole
31	967809	Housing	8-pole



15157

DP-E

REF	PART NO.	QTY	DESCRIPTION	SEE SEC.	NOTES
1	3868725	1	Drive		2.32:1
	3803409	1	Aquamatic drive, exc, exch		2.32:1
	3868726	1	Drive		1.95:1
	3803408	1	Aquamatic drive, exc, exch		1.95:1
	3868727	1	Drive		1.78:1
	3803407	1	Aquamatic drive, exc, exch		1.78:1
	3868728	1	Drive		1.68:1
	3803406	1	Aquamatic drive, exc, exch		1.68:1
2	3857269	1	• Upper gear, upper	7642	2.32:1
	3803411	1	• Upper gear, exch, upper, exch	7642	2.32:1
	3857143	1	• Upper gear, upper	7642	1.95:1, 1.78:1, 1.68:1
	3803410	1	• Upper gear, exch, upper, exch	7642	1.95:1, 1.78:1, 1.68:1
3		1	• Intermediate housing	7332	
4	3857152	1	• Lower gear, lower	7336	2.32:1 & 1.95:1
	3803414	1	• Lower gear, exch, lower, exch	7336	2.32:1 & 1.95:1
	3857099	1	• Upper gear, lower	7336	1.78:1
	3803413	1	• Lower gear, exch, lower, exch	7336	1.78:1
	3857155	1	• Lower gear, lower	7336	1.68:1
	3803412	1	• Lower gear, exch, lower, exch	7336	1.68:1
		X	Propeller, stainless steel	7315	C
		X	Propeller, aluminum	7316	B
		X	Propeller, aluminum	7616	A
5	876266	1	Gasket kit, upper gear	7314	
	876267	1	Gasket kit, lower gear	7314	

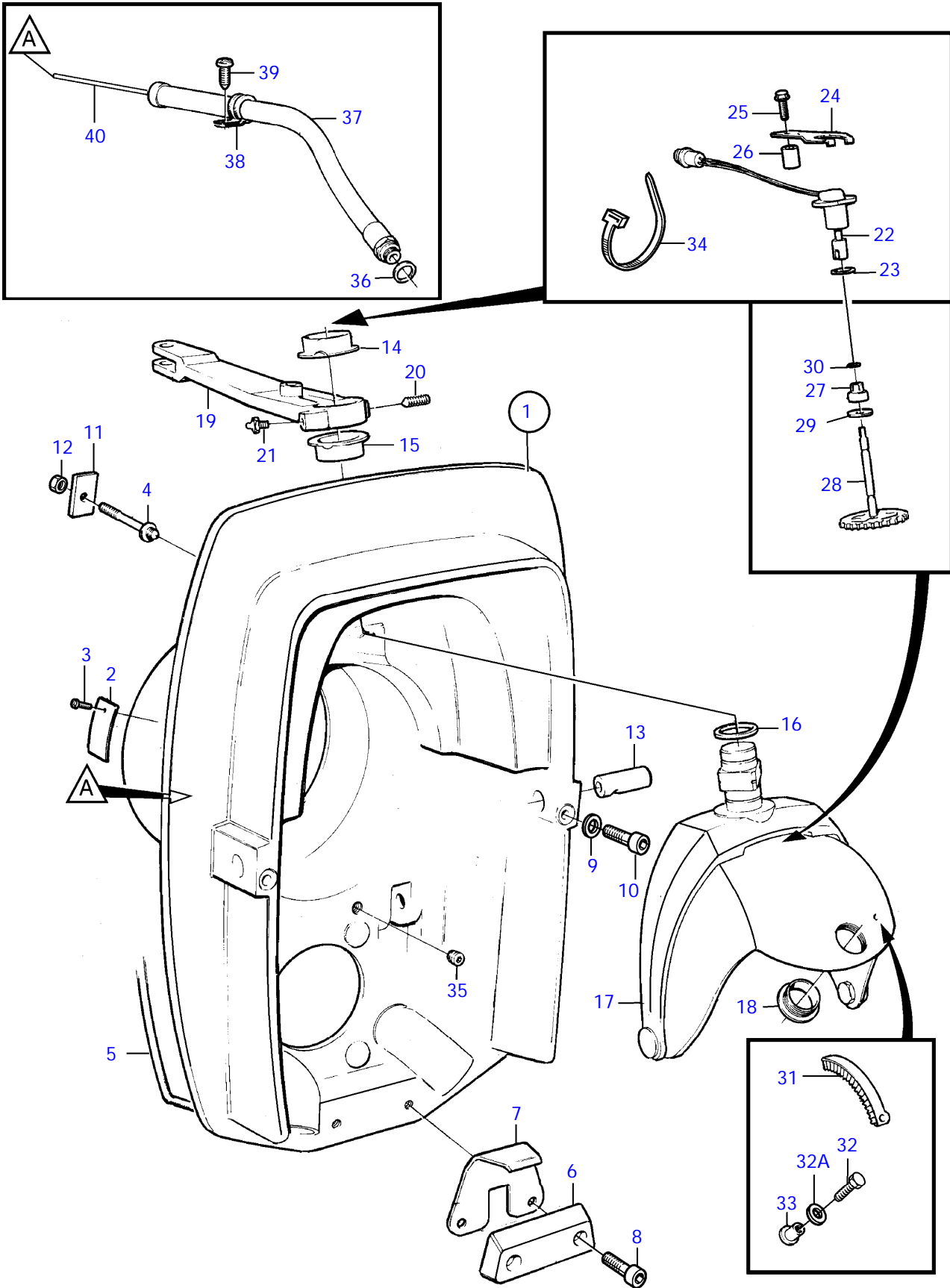


15365

SP-E

REF	PART NO.	QTY	DESCRIPTION	SEE SEC.
1	3869076	1	Drive	
	3801143	1	Aquamatic drive, exc, exch	
2	3857143	1	• Upper gear, upper	7329
	3803410	1	• Upper gear, exch, upper, exch	7329
3		1	• Intermediate housing	7332
4	3860243	1	• Gear, lower	7335
		X	Propeller	7636
5	876266	1	Gasket kit, upper gear	7314
	876268	1	Gasket kit, lower gear	7314

DP-E, SP-E

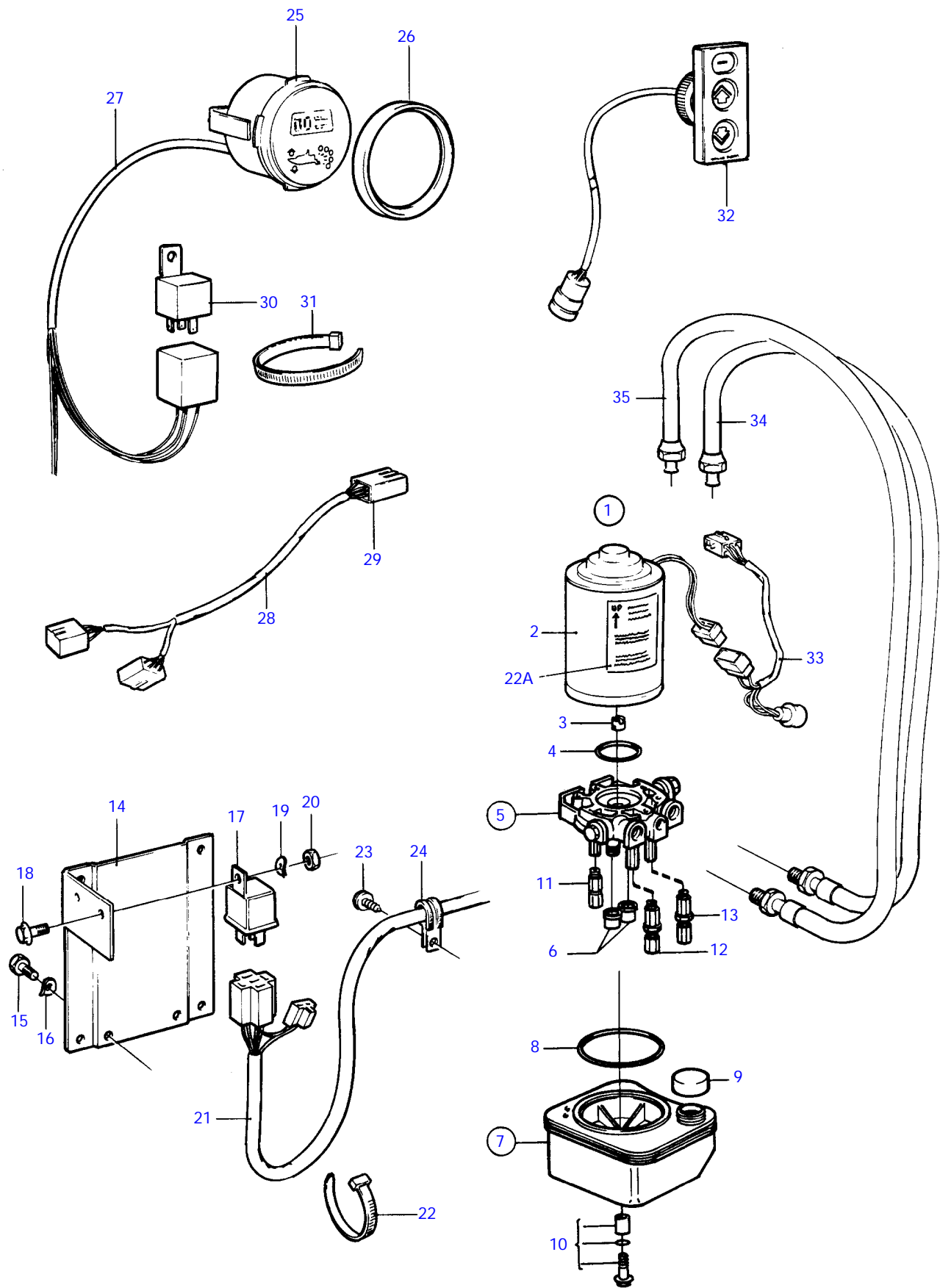


18696

DP-E, SP-E

REF	PART NO.	QTY	DESCRIPTION	SEE SEC.	NOTES
1		1	Shield	7305	
2	853706	1	• Type plate		
3	804269	2	• Drive screw		
4	873316	6	Stud		
5	852868	X	Sealing strip		L=1750mm
6	852835	1	Zinc electrode		Alt
	873178	1	Magnesium anode		To be used in fresh-water., Alt
7	872963	1	Support plate		3868724
	3862171	1	Support plate		3869145
8	946541	2	Hex. socket screw		
9	941670	2	Washer		
10	963699	2	Hex. socket screw		
11	852866	6	Washer		
12	963108	6	Lock nut		
13	872493	2	Spindle		
14	854705	1	Bushing		
15	854704	1	Bushing		
16	977313	1	Sealing ring		
17	3857147	1	Fork		
18	853048	1	• Bushing		
19	872722	1	Spindle arm		
20	947904	1	Set screw		
21	914169	1	Lubricating nipple		
22	873531	1	Sensor		
23	955991	1	O-ring		
24	853039	1	Bracket		
25	955298	1	Hexagon screw		
26	872355	1	Spacer sleeve		
27	851430	1	Bushing		
28	852984	1	Driving wheel		
29	966207	1	Sealing ring		
30	925050	1	O-ring		
31	3856815	1	Gear segment		
32	853759	1	Screw		
32A	941907	1	Spring washer		
33	853760	1	Rivet nut		
34	948211	1	Cable tie		
35	853215	2	Plug		
36	897745	1	Gasket		
37	839091	1	Protecting hose		
38	952635	1	Clamp		
39	955512	1	Hexagon screw		
40		1	Control cable		

DP-E, SP-E

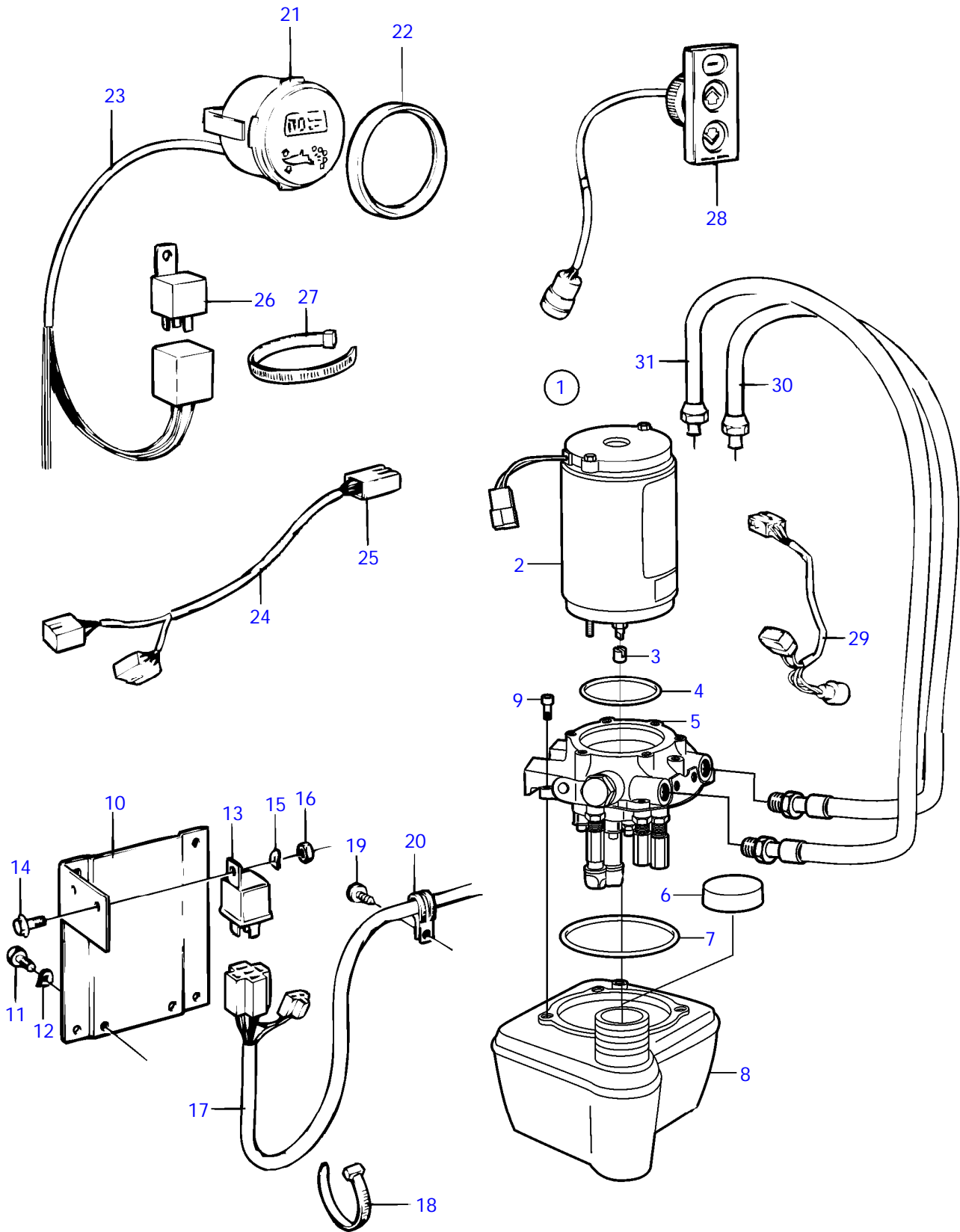


11074

DP-E, SP-E

REF	PART NO.	QTY	DESCRIPTION	NOTES
1	3857006	1	Hydraulic pump, trim	Replaced by 3586765
2	854525	1	• Electrical motor	
3	3858072	1	• Connector	
4	3858073	1	• O-ring	
5	(854528)	1	• Valve housing	Obsolete part
6	3858076	2	• • Filter	
7	854531	1	• Reservoir	
8	3858078	1	• Sealing	
	3861570	1	• Reservoir	
9	3858079	1	• Cardboard tube	
10	854534	1	• Small parts kit	
11	854535	1	• Hydraulic pump	
12	873057	1	• Delivery valve	
13	854537	1	• Pressure box	
14	854438	1	Bracket	
15	970945	2	Hexagon screw	
16	941908	2	Spring washer	
17	854357	2	Relay	
18	948663	2	Flange screw	
19	941905	2	Spring washer	
20	955780	2	Hexagon nut	
21	872448	1	Wiring harness	
22	948211	1	Cable tie	
22A	853097	1	Sign	
23	968476	4	Flange screw	
24	952630	4	Clamp	
25	872498	1	Trimmer	
26	858643	1	Front ring	
27	856821	1	Cable kit	
28	853066	1	Cable trunk	Dual station
29		1	• Cable harness	See group 30
30	872300	2	Relay	Replaced by relay 1324492 and mounting instruction., 12V 30A
	1324492	2	Relay	Nb! changed polarity. see mounting instruction., With built in diod
31	949666	1	Cable tie	
32	3855650	1	Control panel	
33	853032	1	Cable trunk	
	948294	1	• Housing	9-pole
	965822	1	• Cable terminal	3.5x1x2.5
	(853498)	1	• Anode kit	Obsolete part, 3-pole
	853521	1	• Cable terminal	
34	873228	1	Hydraulic hose	
35	873229	1	Hydraulic hose	

DP-E, SP-E

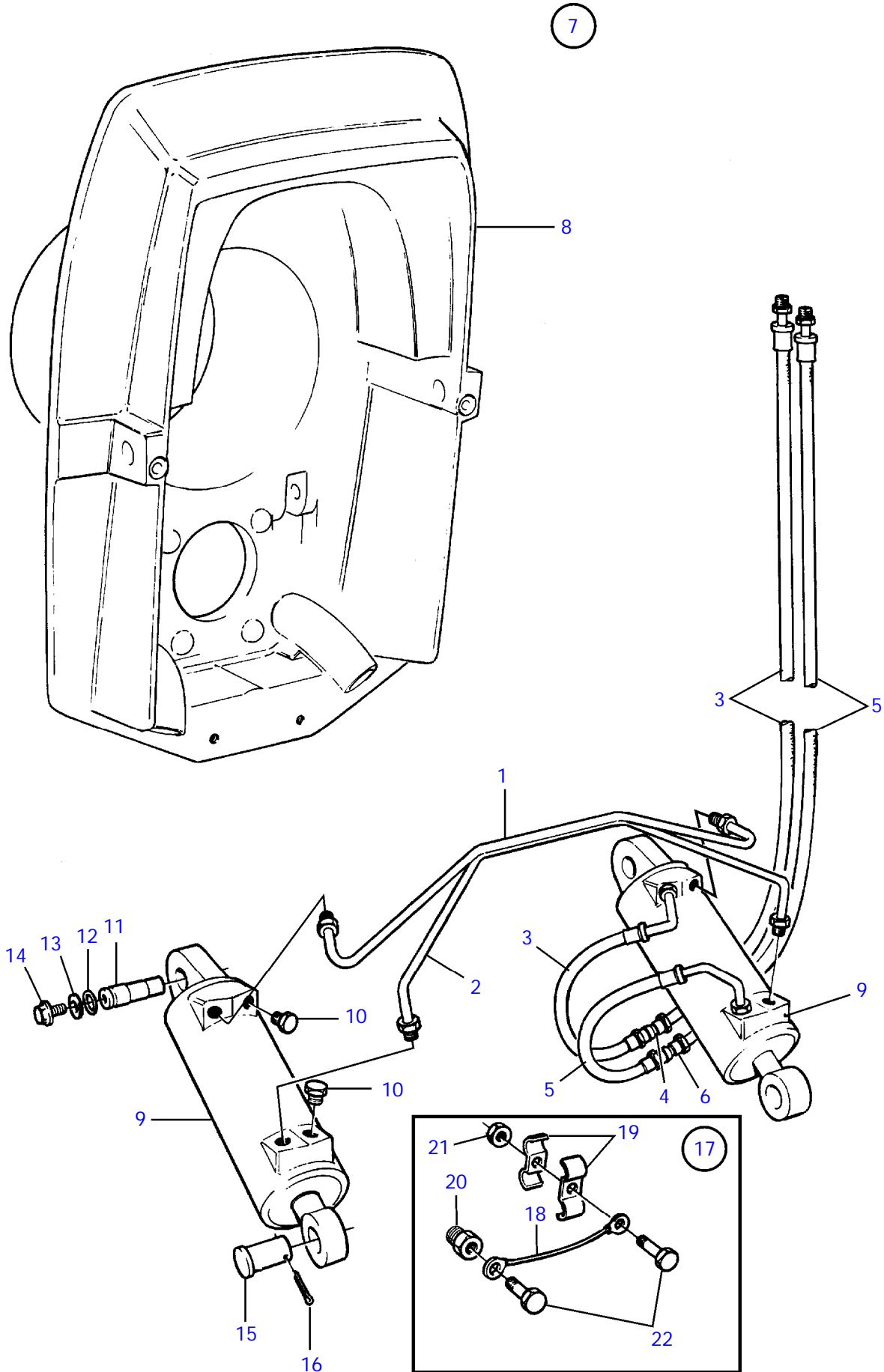


18709

DP-E, SP-E

REF	PART NO.	QTY	DESCRIPTION	SEE SEC.	NOTES
1	3860880	1	Pump		
2	3861576	1	• Electrical motor		
3	3861577	1	• Connector		
4	3861578	1	• O-ring		
5		1	• Valve body		
6	3861572	1	• Cardboard tube		
7	3861573	1	• O-ring		
8	3861570	1	• Reservoir		
9	3861574	4	• Screw		
10	854438	1	Bracket		
11	970945	2	Hexagon screw		
12	941908	2	Spring washer		
13	854357	2	Relay		
14	948663	2	Flange screw		
15	941905	2	Spring washer		
16	955780	2	Hexagon nut		
17	872448	X	Wiring harness		
18	948211	1	Cable tie		
19	968476	4	Flange screw		
20	952630	4	Clamp		
21	872498	1	Trimmer		
22	858643	1	Front ring		
23	856821	1	Cable kit		
24	853066	1	Cable trunk		Dual station
25		X	• Cable harness		See group 30
26	872300	2	Relay		Replaced by relay 1324492 and mounting instruction., 12V 30A
	1324492	2	Relay		Nb! changed polarity. see mounting instruction., With built in diod
27	949666	X	Cable tie		
28	3855650	1	Control panel		(873617), (853846)
29	853032	1	Cable trunk		
	948294	X	• Housing		9-pole
	965822	X	• Cable terminal		3.5x1x2.5
	(853498)	X	• Anode kit		3-pole, Obsolete part
	853521	X	• Cable terminal		For 853498
30	873228	1	Hydraulic hose	7305	
31	873229	1	Hydraulic hose	7305	

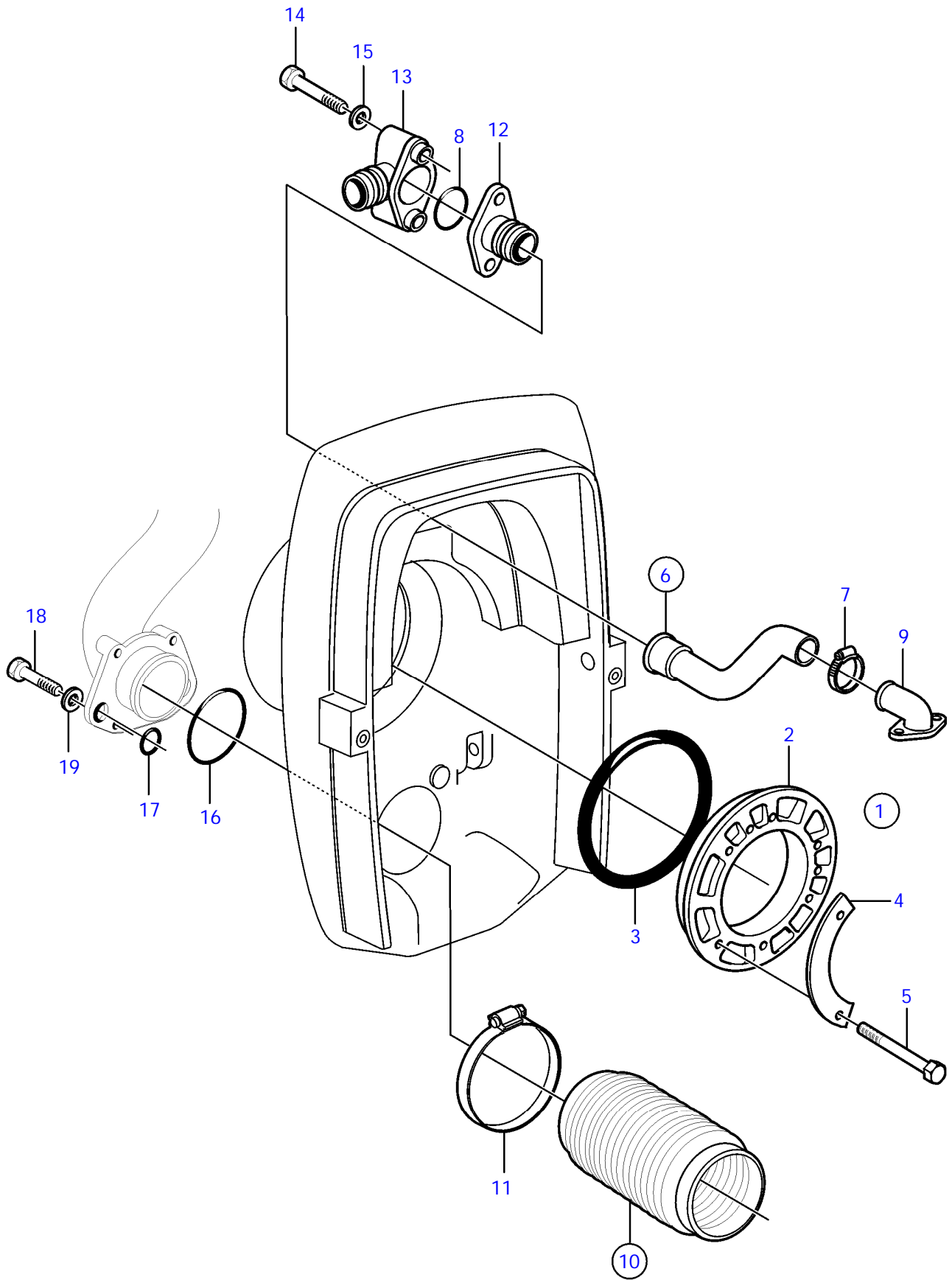
DP-E, SP-E



DP-E, SP-E

REF	PART NO.	QTY	DESCRIPTION	SEE SEC.
1	854696	1	Tube	
2	854697	1	Tube	
3	873228	1	Hydraulic hose	
4	960214	1	• O-ring	
5	873229	1	Hydraulic hose	
6	960214	1	• O-ring	
7	3856809	1	Shield	
8		1	• Shield	7304
9	3860881	2	Cylinder	
10	852879	2	• Plug	
11	872382	2	Spindle	
12	925053	2	O-ring	
13	853059	2	Washer	
14	853060	2	Flange screw	
15	872126	2	Clevis pin	
16	967707	2	Split pin	
17	854625	1	Set, assy.	
18		1	• Ground cable	
19	854628	2	• Clamp	
20	872207	1	• Nipple	
21	944456	1	• Hexagon nut	
22	963545	2	• Hexagon screw	

DP-E, SP-E

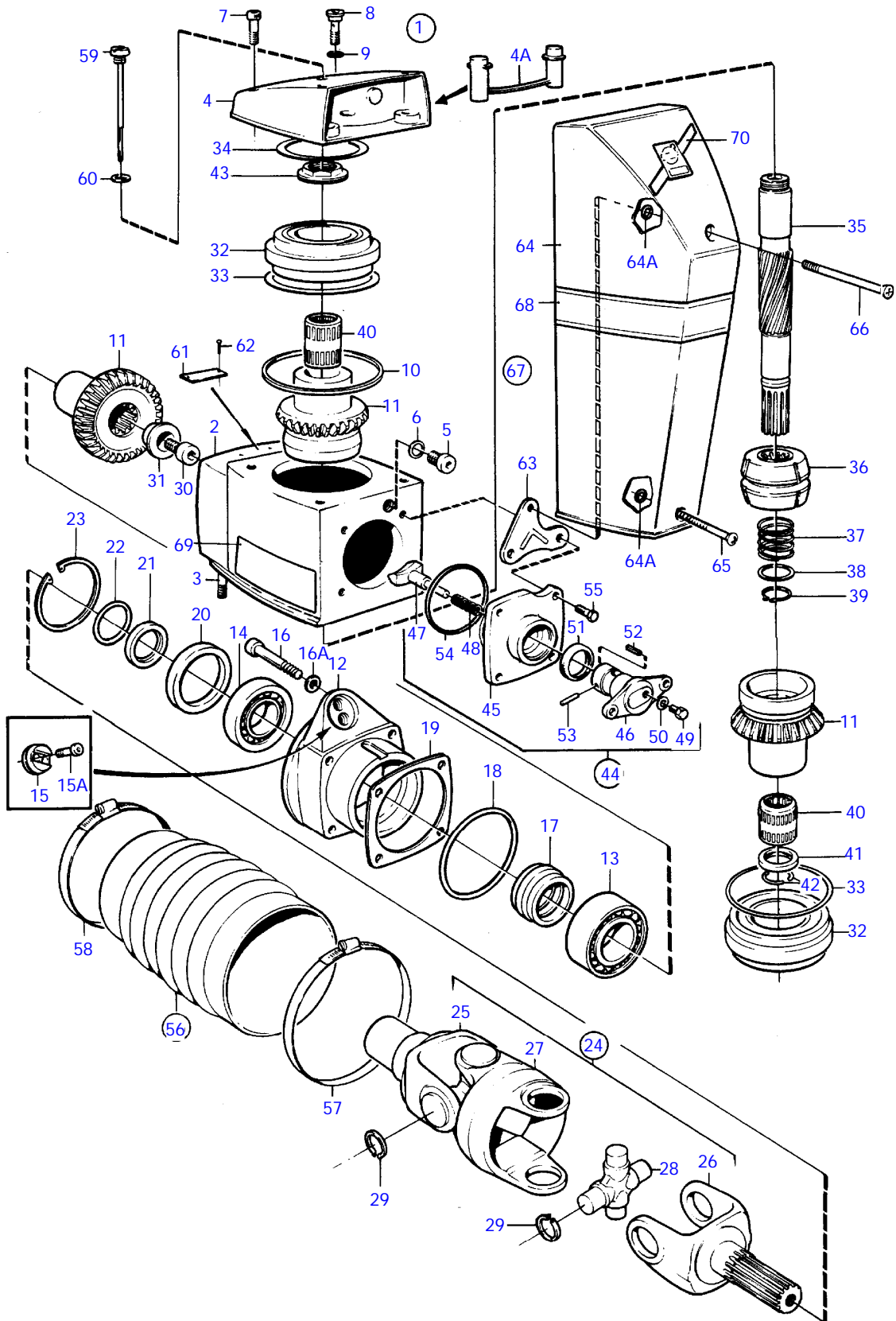


20589

DP-E, SP-E

REF	PART NO.	QTY	DESCRIPTION	NOTES
1		1	Clamping ring kit	See catalog for engine.
2		1	• Clamping ring	See catalog for engine.
3		2	• Ring	See catalog for engine.
4	806624	3	• Striker plate	
5	191844	6	• Hexagon screw	
6	876632	1	Hose kit	
7	853548	1	• Hose clamp	
8	925064	1	• O-ring	
9	872752	1	Hose connection	
10	876631	1	Bellows kit	
11	872531	2	• Hose clamp	
12	872334	1	Nipple	
13	872338	1	Hose connection	90°
	872336	1	Hose connection	45°
14	955516	2	Hexagon screw	
15	955893	2	Washer	
16	925256	1	O-ring	
17	925064	2	O-ring	
18	947790	4	Flange screw	
19	976945	4	Washer	

SP-E

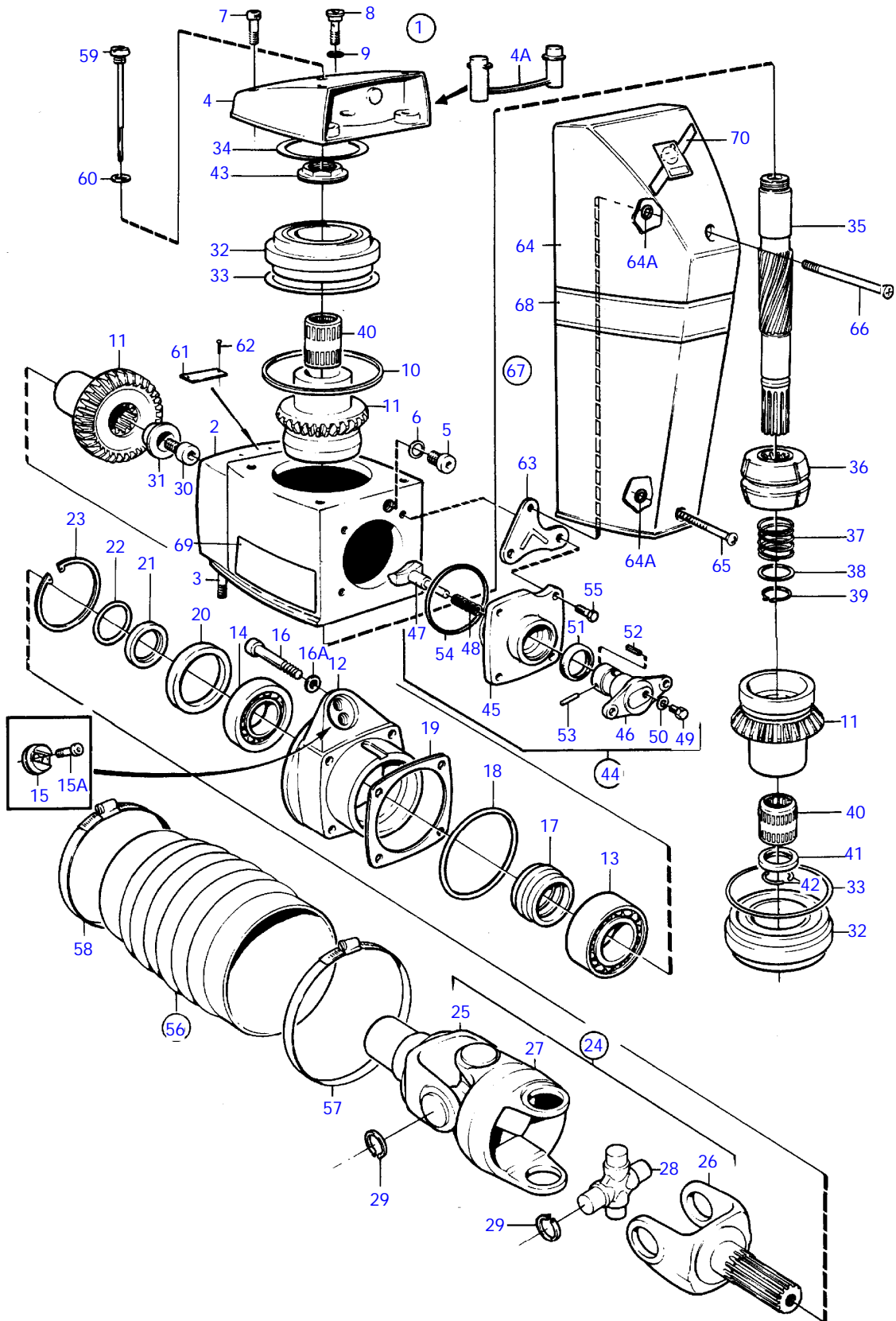


20599

SP-E

REF	PART NO.	QTY	DESCRIPTION	SEE SEC.	NOTES
1	3857143	1	Upper gear		
	3803410	1	Upper gear, exch, exch		
2	3856812	1	• Gear housing		
3	984067	2	• Stud		
4	3857149	1	• Cardboard tube		
4A	(854198)	1	• Plastic plug		Obsolete part
5	981965	1	• Plug		
6	897682	1	• Gasket		
7	941807	3	• Hex. socket screw		
8	814643	1	• Hollow screw		
9	955989	1	• O-ring		
10	832669	1	• Gasket		
11	873313	1	• Gear		
12	3857144	1	• Bearing box		
13	3850852	1	• Bearing		
14	183247	1	• Roller bearing		
15	852705	1	• Pivot pin		
15A	941807	2	• Hex. socket screw		
16	956591	4	• Hex. socket screw		
16A	942598	4	• Washer		
17	853484	1	• Pretensioning sleeve		
18	925095	1	• O-ring		
19	853034	X	• Shim		TH=0.10mm
	853035	X	• Shim		TH=0.15mm
	853036	X	• Shim		TH=0.35mm
20	839253	1	• Sealing ring		
21	832675	1	• Washer		
22	956000	1	• O-ring		
23	914538	1	• Snap ring		
24	3860230	1	• Universal joint		
			• Bulletin P-44-1-5	P-44-1-5-EN	U-joints
25		1	• • Yoke		
26		1	• • Yoke		
27		1	• • Intermediate section		
28	3860232	2	• • Spider		
29		8	• • Clip		
30	3860364	1	• • Screw		
31	853026	1	• Washer		
32	3857176	2	• Kit		
33	943869	X	• Shim		TH=0.05mm
	946179	X	• Shim		TH=0.10mm
	943870	X	• Shim		TH=0.20mm
34	941826	X	• Shim		TH=0.05mm
	941827	X	• Shim		TH=0.20mm
	948230	X	• Shim		TH=0.35mm
35	3852292	1	• Spindle		
36	3855783	1	• Sliding sleeve		
			• Bulletin P-44-1-18	P-44-1-18-EN	Shift Cone
37	3852296	1	• Spring		
38	3852298	1	• Spacer		
39	951078	1	• Snap ring		
40	3852390	2	• Bearing		
41	3852294	1	• Ring		
42	3852295	2	• Locking clip		
43	3852301	X	• Nut		0.0mm
	3852302	X	• Nut		0.2mm
	3852303	X	• Nut		0.4mm
	3852375	X	• Nut		0.6mm
44	3855787	1	• Shift unit		
45	3855785	1	• • Bearing housing		
46	3856008	1	• • Plunger		
47	3856502	1	• • Dog		
48	814184	1	• • Spring		
49	897711	1	• • Screw		
50	897871	X	• • Shim		
51	853868	1	• • Sealing ring		
52	973593	1	• • Spring pin		
53	942871	1	• • Clevis pin		
54	925093	1	• • O-ring		
55	940169	4	• Hexagon screw		
56	876294	1	• Bellows kit		
			• Bulletin P-44-1-11	P-44-1-11-EN	DPH/DPR U-Joint Bellows
57	853013	1	• • Hose clamp		
58	853012	1	• • Hose clamp		
59	839351	1	• Oil dipstick		
60	955974	1	• O-ring		
61	853706	1	• Type plate		
62	804269	2	• Drive screw		
63	854713	1	• Anchorage		
64	3857148	1	• Cover		
64A	925052	2	• O-ring		
65	854661	1	• Screw		
66	872027	1	• Screw		
67	876635	1	• Decal set		
68	872995	1	• Decal		
69	872868	1	• Decal		Port
	872867	1	• Decal		Starboard

DP-E

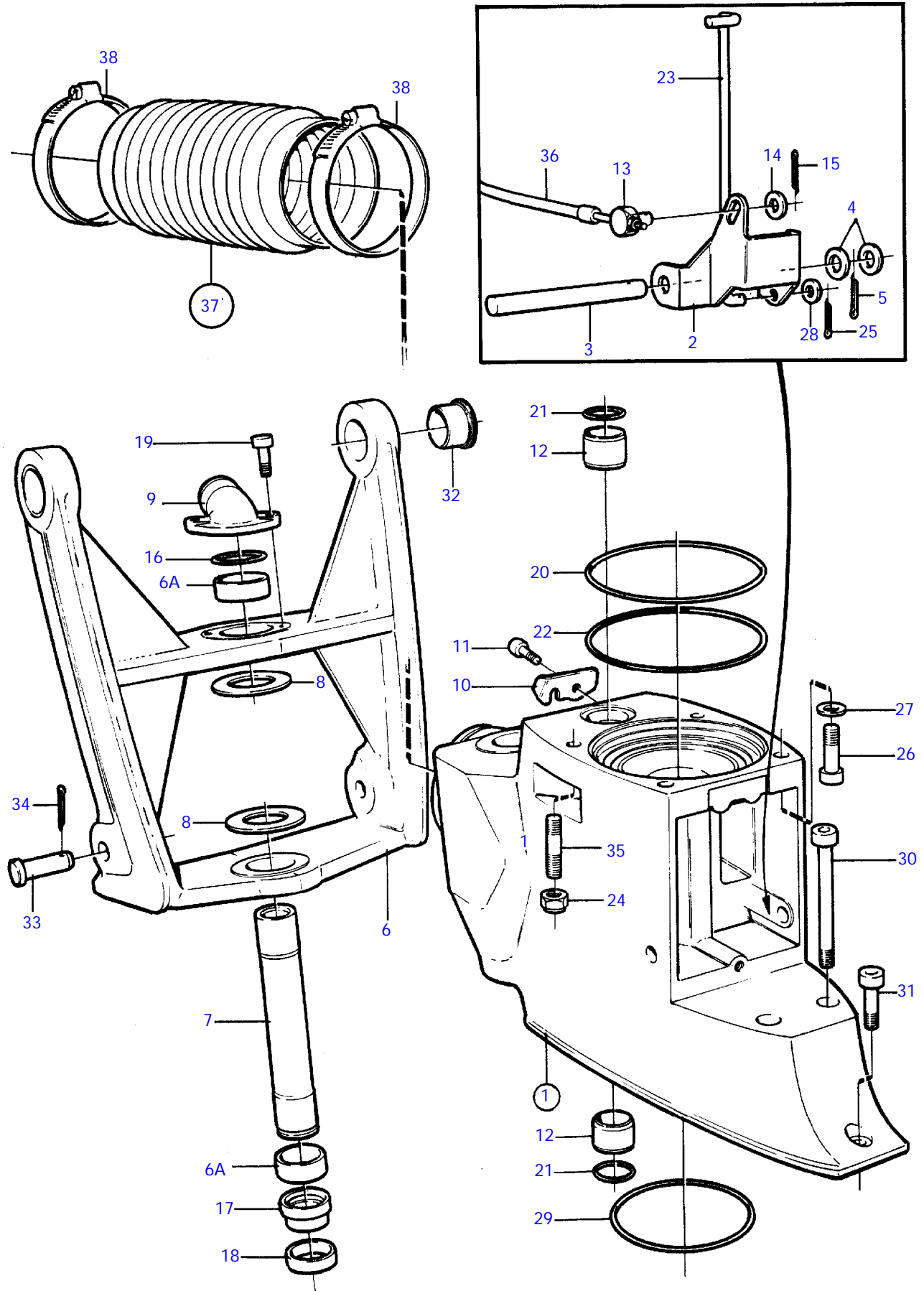


20599

DP-E

REF	PART NO.	QTY	DESCRIPTION	SEE SEC.	NOTES
1	3857269	1	Upper gear		2.32:1
	3803411	1	Upper gear, exch, exch		2.32:1
	3857143	1	Upper gear		1.95:1, 1.78:1, 1.68:1
	3803410	1	Upper gear, exch, exch		1.95:1, 1.78:1, 1.68:1
2	3856812	1	• Gear housing		
3	984067	2	• Stud		
4	3857149	1	• Cardboard tube		
4A	(854198)	1	• Plastic plug		Obsolete part
5	981965	1	• Plug		
6	897682	1	• Gasket		
7	941807	3	• Hex. socket screw		
8	814643	1	• Hollow screw		
9	955989	1	• O-ring		
10	832669	1	• Gasket		
11	3857266	1	• Gear set		2.32:1
	873313	1	• Gear		1.95:1, 1.78:1, 1.68:1
12	3857144	1	• Bearing box		
13	3850852	1	• Bearing		
14	183247	1	• Roller bearing		
15	852705	1	• Pivot pin		
15A	941807	2	• Hex. socket screw		
16	956591	4	• Hex. socket screw		
16A	942598	4	• Washer		
17	853484	1	• Pretensioning sleeve		
18	925095	1	• O-ring		
19	853034	X	• Shim		TH=0.10mm
	853035	X	• Shim		TH=0.15mm
	853036	X	• Shim		TH=0.35mm
20	839253	1	• Sealing ring		
21	832675	1	• Washer		
22	956000	1	• O-ring		
23	914538	1	• Snap ring		
24	3860230	1	• Universal joint		
			• Bulletin P-44-1-5	P-44-1-5-EN	U-joints
25		1	•• Yoke		
26		1	•• Yoke		
27		1	•• Intermediate section		
28	3860232	2	•• Spider		
29		8	•• Clip		
30	3860364	1	•• Screw		
31	853026	1	• Washer		
32	3857176	2	• Kit		
33	943869	X	• Shim		TH=0.05mm
	946179	X	• Shim		TH=0.10mm
	943870	X	• Shim		TH=0.20mm
34	941826	X	• Shim		TH=0.05mm
	941827	X	• Shim		TH=0.20mm
	948230	X	• Shim		TH=0.35mm
35	3852292	1	• Spindle		
36	3855783	1	• Sliding sleeve		
			• Bulletin P-44-1-18	P-44-1-18-EN	Shift Cone
37	3852296	1	• Spring		
38	3852298	1	• Spacer		
39	951078	1	• Snap ring		
40	3852390	2	• Bearing		
41	3852294	1	• Ring		
42	3852295	2	• Locking clip		
43	3852301	X	• Nut		0.0mm
	3852302	X	• Nut		0.2mm
	3852303	X	• Nut		0.4mm
	3852375	X	• Nut		0.6mm
44	3855787	1	• Shift unit		
45	3855785	1	•• Bearing housing		
46	3856008	1	•• Plunger		
47	3856502	1	•• Dog		
48	814184	1	•• Spring		
49	897711	1	•• Screw		
50	897871	X	•• Shim		
51	853868	1	•• Sealing ring		
52	973593	1	•• Spring pin		
53	942871	1	•• Clevis pin		
54	925093	1	•• O-ring		
55	940169	4	• Hexagon screw		
56	876294	1	• Bellows kit		
			• Bulletin P-44-1-11	P-44-1-11-EN	DPH/DPR U-Joint Bellows
57	853013	1	•• Hose clamp		
58	853012	1	•• Hose clamp		
59	839351	1	• Oil dipstick		
60	955974	1	• O-ring		
61	853706	1	• Type plate		
62	804269	2	• Drive screw		
63	854713	1	• Anchorage		
64	3857148	1	Cover		
64A	925052	2	O-ring		
65	854661	1	Screw		
66	872027	1	Screw		
67	876636	1	Decal set		

DP-E, SP-E

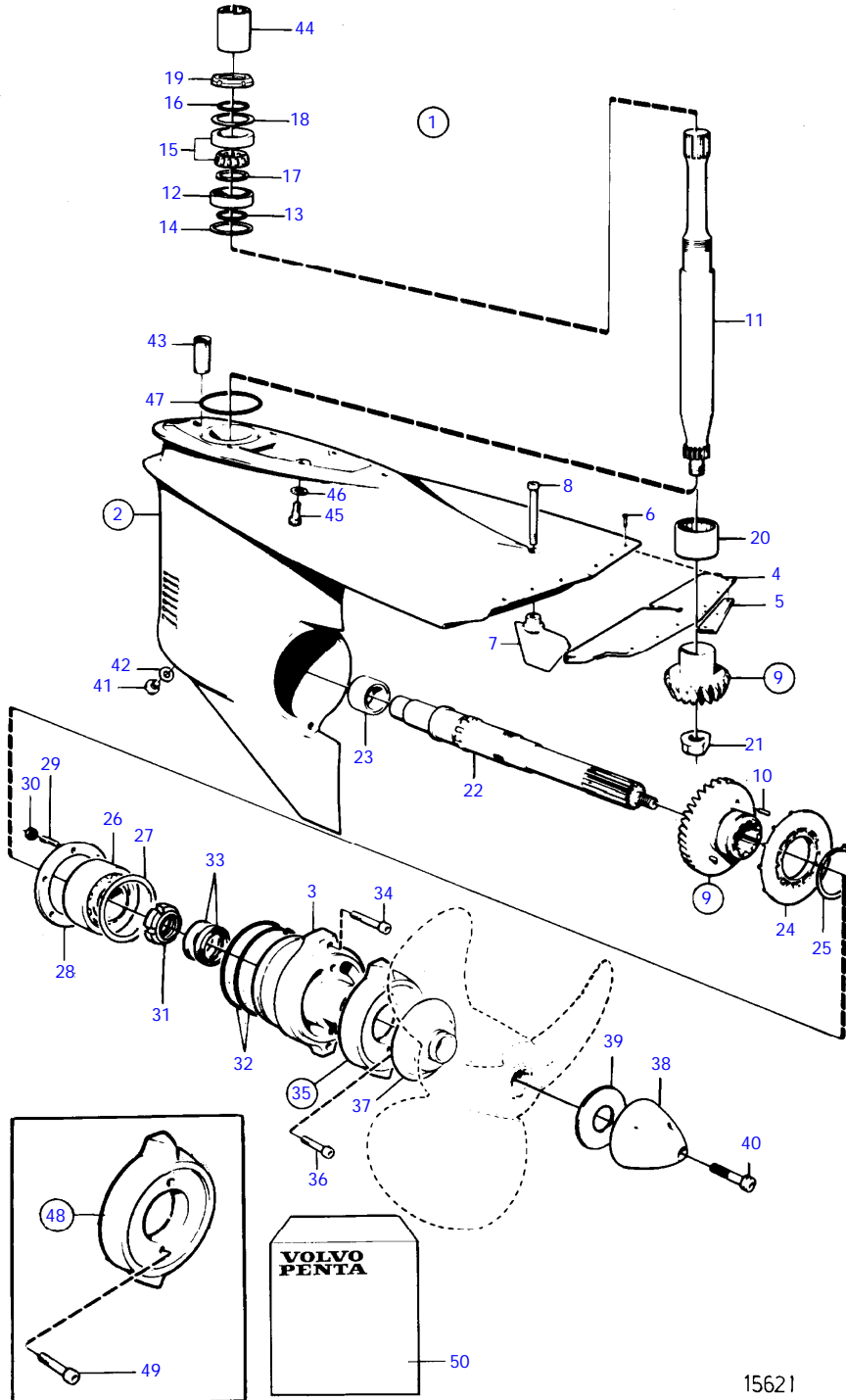


20601

DP-E, SP-E

REF	PART NO.	QTY	DESCRIPTION	SEE SEC.	NOTES
1	3857057	1	Intermediate housing		
2	872977	1	• Yoke		
3	897447	1	• Shaft		
4	897511	2	• Washer		
5	17253	1	• Split pin		
6	3857140	1	Fork		
6A	872756	2	• Bearing bushing		
7	872753	1	Steering knuckle		
8	3860808	1	Shim kit		
9	872752	1	Hose connection		
10	872940	1	Cable attachment		
11	940168	1	Hexagon screw		
12	872986	2	Sleeve		
13	3852329	1	Cube		
14	940191	1	Washer		
15	17276	1	Split pin		
16	979254	1	O-ring		
17	873534	1	Retainer		
18	872755	1	Sealing ring		
19	940169	2	Hexagon screw		
20	925259	1	O-ring		
21	125017	2	O-ring		
22	941826	X	Shim		TH=0.05mm
	941827	X	Shim		TH=0,20mm
	948230	X	Shim		TH=0.35mm
23	872822	1	Control rod		
24	941885	2	Lock nut		
25	17253	1	Split pin		
26	959456	2	Hex. socket screw		
27	853095	2	Washer		
28	940191	2	Washer		
29	925256	1	O-ring		
30	941808	2	Hex. socket screw		
31	941809	1	Hex. socket screw		
32	876507	1	Bushing kit		
		2	• Bushing		
33	872126	2	Clevis pin		
34	967707	2	Split pin		
35	977241	2	Stud		Included in upper gear unit.
36		1	Cable		
37	876631	1	Bellows kit, exhaust	7306	
38	872531	2	• Hose clamp		

SP-E

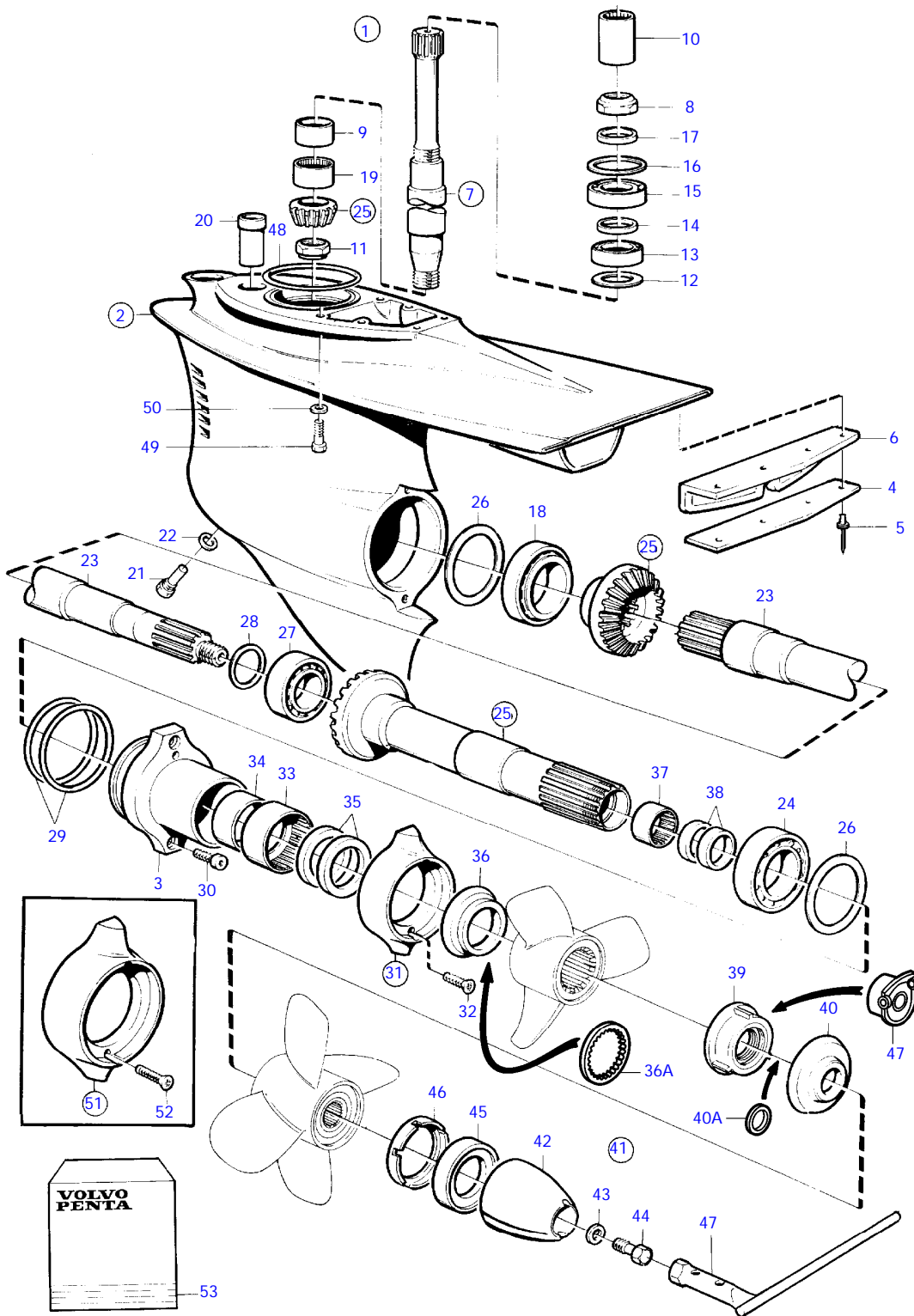


15621

SP-E

REF	PART NO.	QTY	DESCRIPTION	SEE SEC.	NOTES
1	3860243	1	Gear		
2	3860244	1	• Gear housing		
3	3858614	1	• • Bearing housing		
4	852644	1	• • Check valve		
5	852643	2	• • Attaching plate		
6	948338	6	• • Blind rivet		
7	3854402	1	• Trim fin		
8	959440	1	• Hex. socket screw		
9	872050	1	• Gear set		
10	948407	2	• • Spring pin		
11	854889	1	• Countershaft		
12	183374	1	• Ball bearing		
13	941832	X	• Shim		TH=0.05mm
	941833	X	• Shim		TH=0.20mm
14	832191	1	• Gasket		
15	11072	1	• Roller bearing		
16	897387	1	• Tensioning ring		
17	944970	X	• Shim		TH=1.60mm
18	944522	X	• Shim		TH=0.05mm
	42981	X	• Shim		TH=0,10mm
	968057	X	• Shim		TH=0.20mm
	42980	X	• Shim		TH=0.35mm
19	969071	1	• Round nut		
20	183497	1	• Needle bearing		
21	854300	1	• Nut		
22	854657	1	• Propeller shaft		
23	183390	1	• Needle roller bushin		
24	832548	1	• Pump rotor		
25	914474	1	• Snap ring		
26	854541	1	• Ball bearing		
27	944561	X	• Shim		TH=0.05mm
	944562	X	• Shim		TH=0,10mm
	851767	X	• Shim		TH=0.20mm
28	832725	1	• Thrust ring		
29	953449	6	• Stud		
30	955825	6	• Hexagon nut		
31	969073	1	• Round nut		
32	925261	2	• O-ring		
33	897426	2	• Sealing ring		
34	941812	2	• Hex. socket screw		
35	875815	1	• Zinc ring kit		
36	941809	2	• • Hex. socket screw		
37	872082	1	• Line cutter		
38	854045	1	• Spinner		
39	850888	1	• Plastic washer		
40	850889	1	• Screw		
41	852904	1	• Magnetic plug		
42	955974	1	• O-ring		
43	814482	1	• Oil strainer		
44	3852268	1	Splined sleeve		
45	941810	4	Hex. socket screw		
46	853095	4	Washer		
47	925256	1	O-ring		
48	876137	1	Magnesium kit		For use in fresh water
49	941809	2	• Hex. socket screw		
50	876268	1	Gasket kit	7314	

DP-E

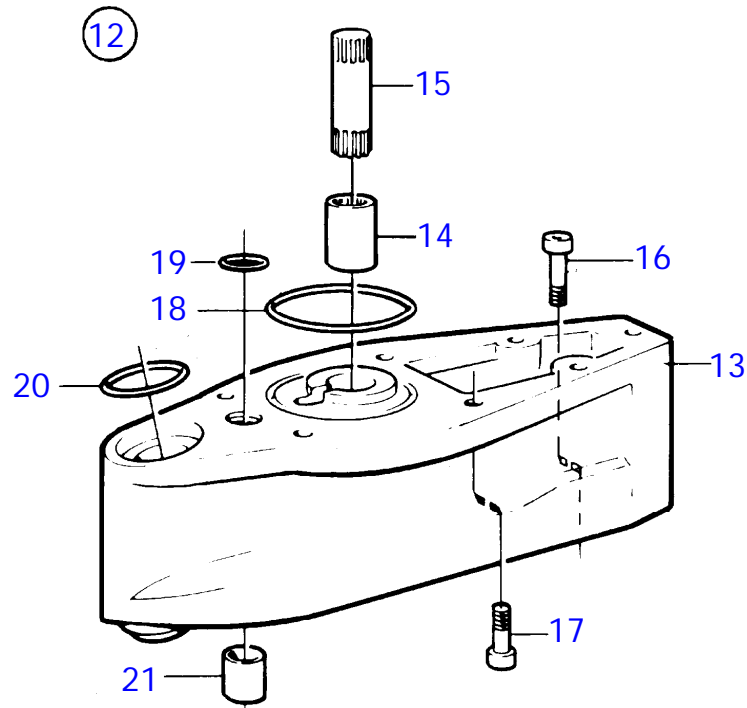
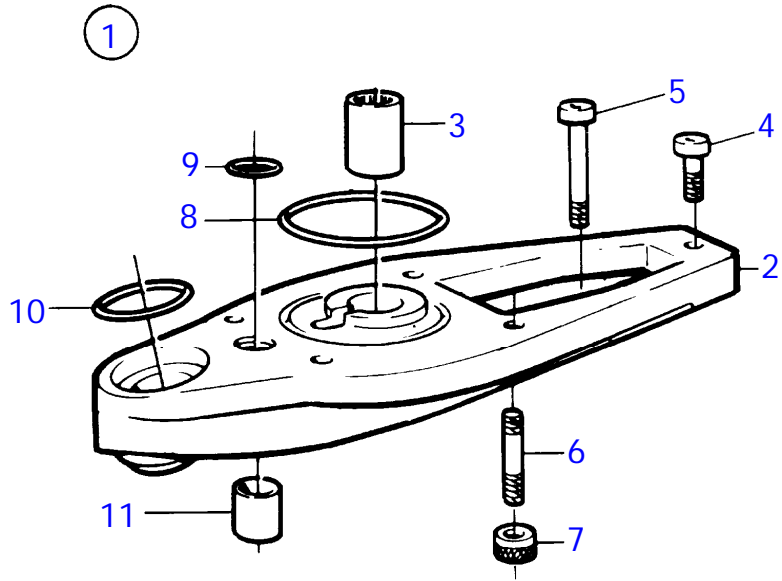


20606

DP-E

REF	PART NO.	QTY	DESCRIPTION	SEE SEC.	NOTES
1	3857152	1	Lower gear, complete		2.32:1 & 1.95:1
	3803414	1	Lower gear, exch, complete, exch		2.32:1 & 1.95:1
	3857099	1	Upper gear, complete		1.78:1
	3803413	1	Lower gear, exch, complete, exch		1.78:1
	3857155	1	Lower gear, complete		1.68:1
	3803412	1	Lower gear, exch, complete, exch		1.68:1
2	3856818	1	• Gear housing		
3	3857097	1	• • Bearing housing		
4	872439	1	• • Attaching plate		
5	977711	4	• • Blind rivet		
6	872438	1	• • Check valve		
7	854611	1	• Countershaft		
8	969071	1	• • Round nut		
9	184682	1	• • Inner ring		
10	3852268	1	• • Splined sleeve		
11	852212	1	• Nut		
12	941832	X	• Shim		TH=0.05mm
	941833	X	• Shim		TH=0,20mm
13	183374	1	• Ball bearing		
14	944970	1	• Shim		
15	11072	1	• Roller bearing		
16	944522	X	• Shim		TH=0.05mm
	42981	X	• Shim		TH=0.10mm
	968057	X	• Shim		TH=0,20mm
	42980	X	• Shim		TH=0.35mm
17	897387	1	• Tensioning ring		
18	11044	1	• Roller bearing		
19	184654	1	• Needle roller bushin		
20	814482	1	• Oil strainer		
21	852904	1	• Magnetic plug		
22	955974	1	• O-ring		
23	872533	1	• Propeller shaft		
24	184765	1	• Roller bearing		
25	3861457	1	• Drive gear set		2.32:1 & 1.95:1
	3861458	1	• Drive gear set		1.78:1
	3855602	1	• Gear set		1.68:1
26	967352	X	• Shim		TH=0.05mm
	941823	X	• Shim		TH=0.10mm
	967351	X	• Shim		TH=0.15mm
	941824	X	• Shim		TH=0,20mm
	941825	X	• Shim		TH=0,40mm
27	184691	1	• Roller bearing		
28	191834	X	• Shim		TH=0.10mm
	191835	X	• Shim		TH=0.15mm
	191837	X	• Shim		TH=0,25mm
29	925258	2	• O-ring		
30	941812	2	• Hex. socket screw		
31	875821	1	• Zinc ring kit		
32	966808	2	• • Screw		
33	183859	1	• Needle roller bushin		
34	184683	1	• Inner ring		
35	851407	2	• Sealing ring		
36	3856070	1	• Thrust ring		Repl by 3858457
36A	3858457	1	• Thrust ring		
37	183272	1	• Needle roller bushin		
38	853871	1	• Sealing ring		
39	3851334	1	• Propeller nut		
40	3856069	1	• Thrust ring		Repl by 3858458
40A	3858458	1	• Thrust ring		
41	872549	1	• Spinner		
42		1	• • Propeller cone		
43	943194	1	• • Washer		
44	872546	1	• • Lock screw		
45	853676	1	• • Spacer ring		
46	854294	1	• • Plastic washer		
47	873058	1	• Tool kit		
		1	• • Wrench		
		1	• • Socket wrench		
48	925256	1	O-ring		
49	941810	4	Hex. socket screw		
50	853095	4	Washer		
51	876138	1	Anode kit		
52	966808	2	• Screw		
53	876267	1	Gasket kit	7314	

DP-E, SP-E

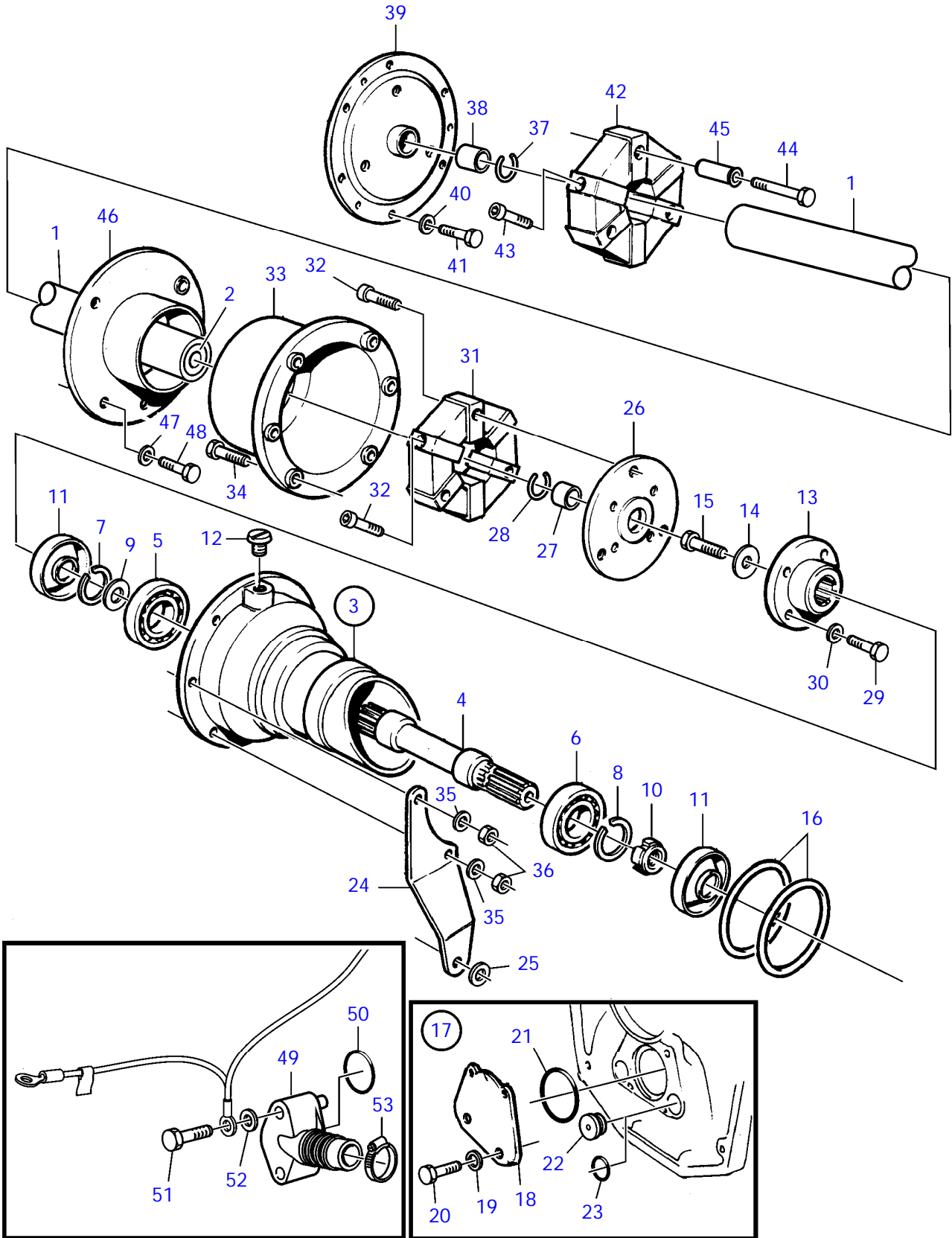


15175

DP-E, SP-E

REF	PART NO.	QTY	DESCRIPTION	NOTES
1	3858317	1	Extension kit	1 inch (25mm)
2		1	• Extension	
3	854684	1	• Splined sleeve	
4	941873	1	• Hex. socket screw	
5	959448	2	• Hex. socket screw	
6	943762	4	• Stud	
7	832939	4	• Nut	
8	925256	1	• O-ring	
9	125017	1	• O-ring	
10	941820	1	• O-ring	
11	897823	1	• Oil pipe	
12	3858618	1	Extension kit	4 inch (102mm)
13		1	• Extension	
14	872128	1	• Splined sleeve	
15	872087	1	• Shaft	
16	941809	3	• Hex. socket screw	
17	941810	4	• Hex. socket screw	
18	925256	1	• O-ring	
19	125017	1	• O-ring	
20	941820	1	• O-ring	
21	897823	1	Oil pipe	

DP-E

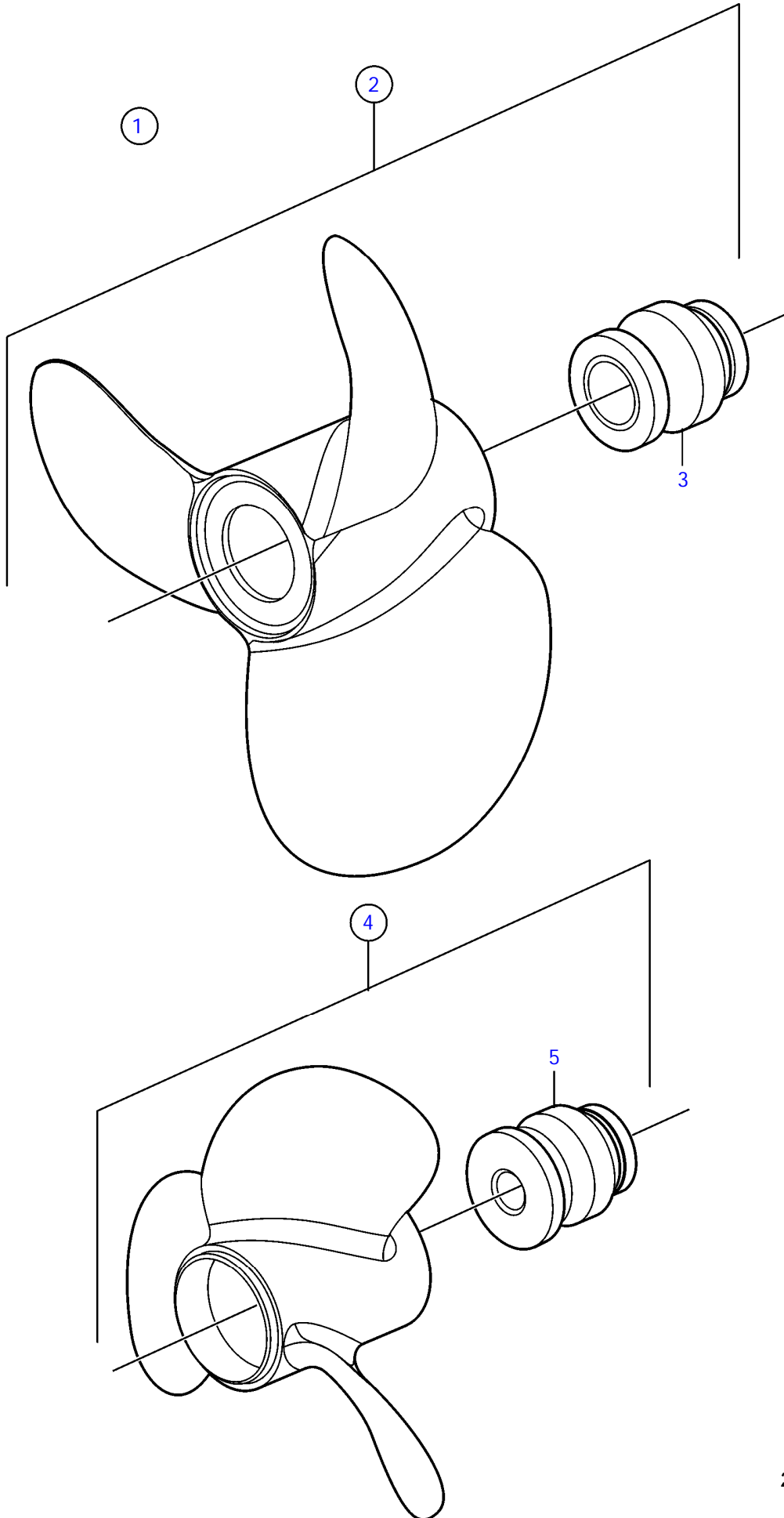


23064

DP-E

REF	PART NO.	QTY	DESCRIPTION	NOTES
1	(853944)	1	Stub axle	L=1,1m, Obsolete part
	853850	1	Stub axle	L=1,65m
2	853830	2	• Insert	
3	3855772	1	Intermediate housing	
4	853841	1	Spindle	
5	183647	1	Roller bearing	
6	11041	1	Roller bearing	
7	914465	1	Snap ring	
8	914533	1	Snap ring	
9	968950	1	Support washer	
10	969072	1	Round nut	
11	958860	2	Sealing ring	
12	804262	1	Plug	
13	838422	1	Clutch flange	
14	947541	1	Washer	
15	946329	1	Flange screw	
16	858464	2	Rubber ring	
17	(872238)	1	Seal flange kit	Obsolete part
18		1	• Seal flange	
19	941908	4	• Spring washer	
20	970945	4	• Hexagon screw	
21	925256	1	• O-ring	
22	814473	2	• Closure	
23	925064	2	O-ring	Alt
24	838935	1	Bracket	P
	838936	1	Bracket	SB
25	955897	22	Washer	
26	853878	1	Attaching plate	
27	853829	1	Bushing	
28	914470	1	Snap ring	
29	945996	4	Hexagon screw	
30	941909	4	Spring washer	
31	853978	1	Clutch	
32	853951	6	• Screw	
33	853838	1	Protecting screen	
34	940160	6	Hexagon screw	
35	941909	6	Spring washer	
36	940157	6	Hexagon nut	
37	914470	1	Snap ring	
38	853829	1	Bushing	
39	853876	1	Attaching plate	
40	941907	6	Spring washer	Early type
41	955297	6	Hexagon screw	Early type
	945444	6	Flange screw	Late type
42	853977	1	Clutch	
43	853951	3	• Screw	
44	853952	3	• Screw	
45	853834	3	Spacer sleeve	
46	853874	1	Protecting screen	
47	941908	4	Spring washer	Early type
48	970947	4	Hexagon screw	Early type
	946329	4	Flange screw	Late type
49	872338	1	Hose connection	
50	925064	1	O-ring	
51	955516	2	Hexagon screw	
52	955893	2	Washer	
53	961669	2	Hose clamp	

DP-E

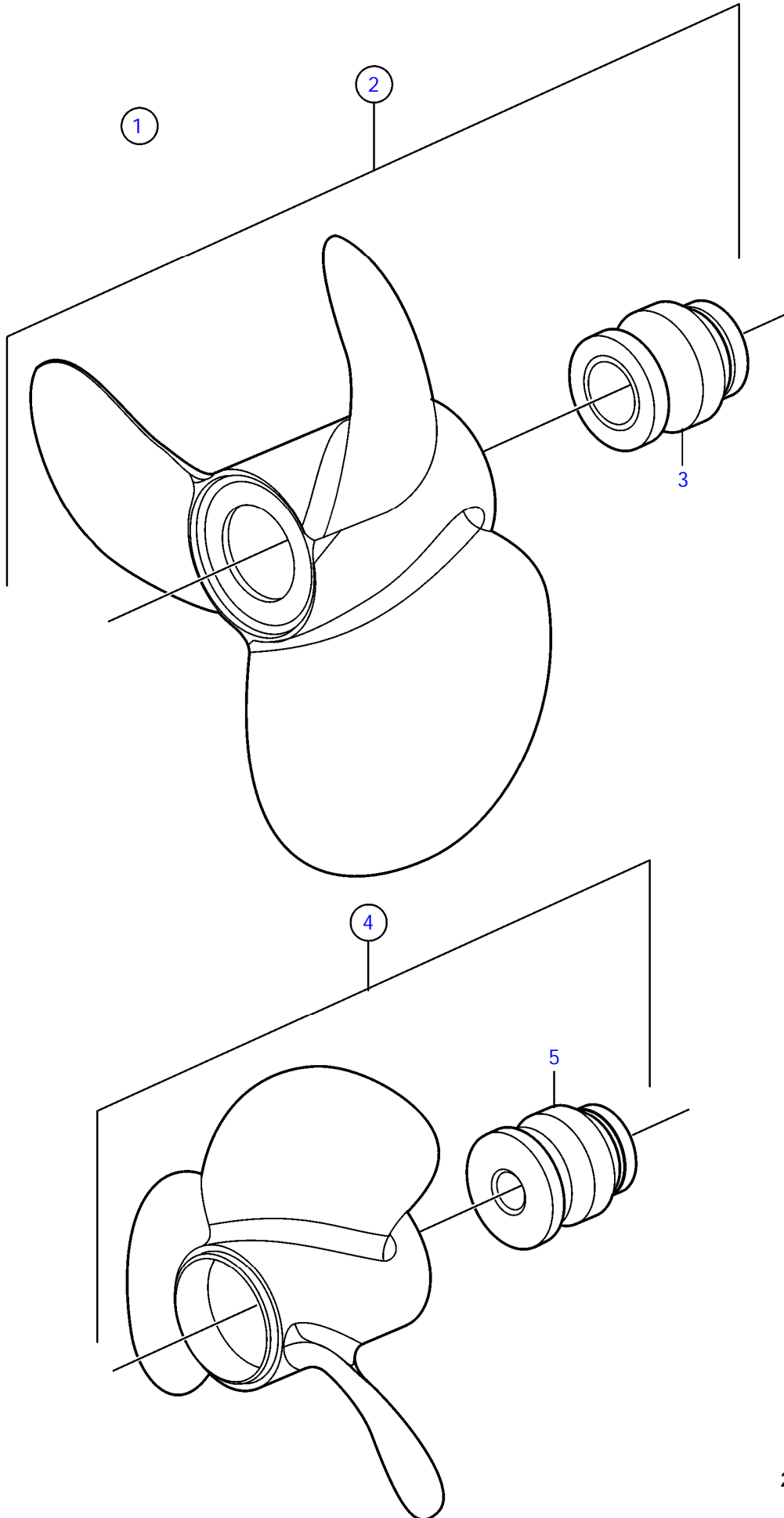


20590

DP-E

REF	PART NO.	QTY	DESCRIPTION	SEE SEC.	NOTES
1	3860877	1	Propeller, stainless steel • Bulletin P-44-7-1	P-44-7-1-EN	Set, C2 Duoprop Propellers
1	3860878	1	Propeller, stainless steel		Set, C3
	3857495	1	Propeller, stainless steel		Set, C4
	3857496	1	Propeller, stainless steel		Set, C5
	3857497	1	Propeller, stainless steel		Set, C6
	3857498	1	Propeller, stainless steel		Set, C7
2	3860602	1	• Propeller, stainless steel		Front, C2
	3860604	1	• Propeller, stainless steel		Front, C3
	3857461	1	• Propeller, stainless steel		Front, C4
	3857462	1	• Propeller, stainless steel		Front, C5
	3857463	1	• Propeller, stainless steel		Front, C6
	3857464	1	• Propeller, stainless steel		Front, C7
3	872552	1	• • Propeller bushing, front		
4	3860603	1	• Propeller, stainless steel		Rear, C2
	3860605	1	• Propeller, stainless steel		Rear, C3
	3857465	1	• Propeller, stainless steel		Rear, C4
	3857466	1	• Propeller, stainless steel		Rear, C5
	3857467	1	• Propeller, stainless steel		Rear, C6
	3857468	1	• Propeller, stainless steel		Rear, C7
5	872553	1	• • Propeller bushing, rear		

DP-E

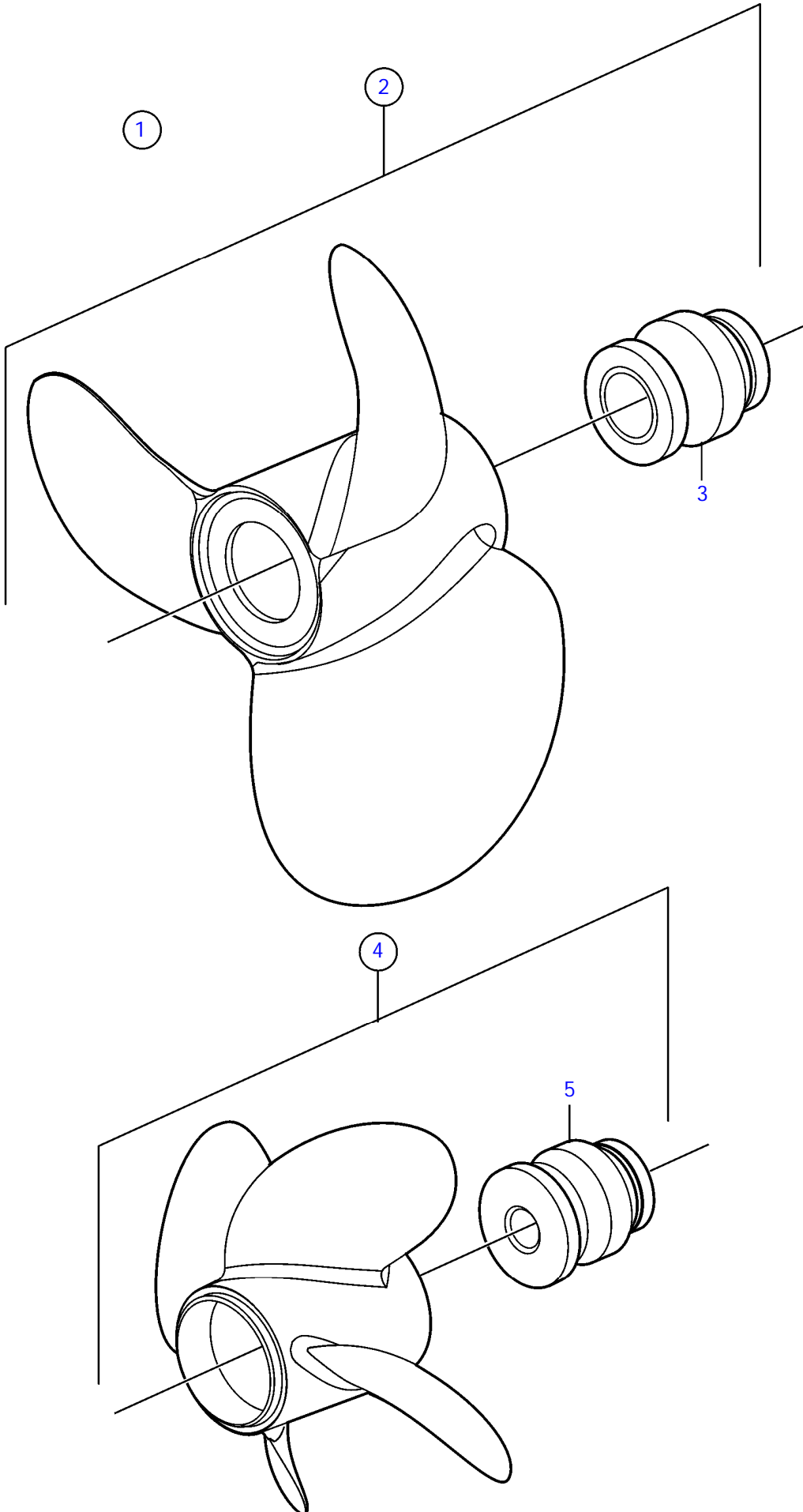


20590

DP-E

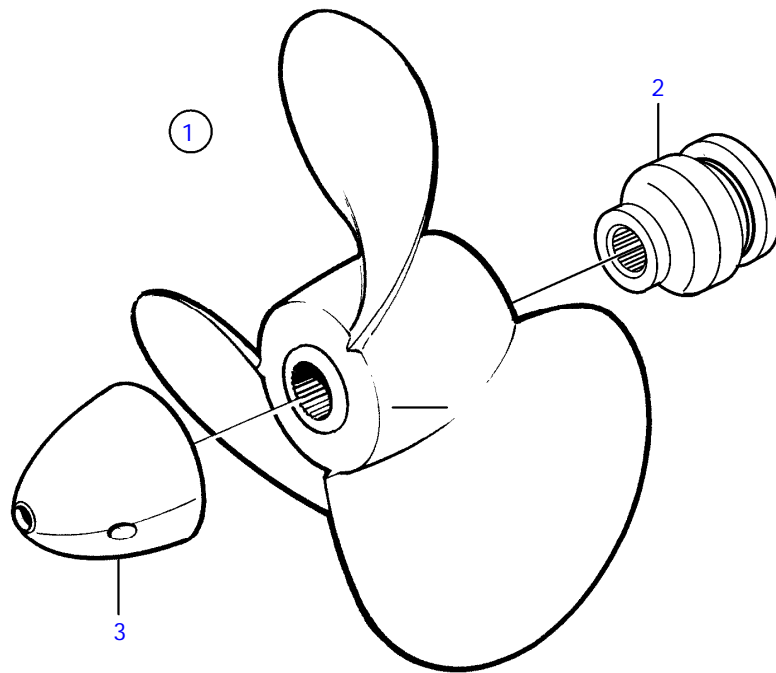
REF	PART NO.	QTY	DESCRIPTION	SEE SEC.	NOTES
1	854814	1	Propeller, aluminum • Bulletin P-44-7-1	P-44-7-1-EN	Set, B1 Duoprop Propellers
1	854815	1	Propeller, aluminum		Set, B2
	854816	1	Propeller, aluminum		Set, B3
	854817	1	Propeller, aluminum		Set, B4
	854818	1	Propeller, aluminum		Set, B5
	854819	1	Propeller, aluminum		Set, B6
	854820	1	Propeller, aluminum		Set, B7
	854821	1	Propeller, aluminum		Set, B8
2	854822	1	• Propeller, aluminum		Front, B1
	854823	1	• Propeller, aluminum		Front, B2
	854824	1	• Propeller, aluminum		Front, B3
	854825	1	• Propeller, aluminum		Front, B4
	854826	1	• Propeller, aluminum		Front, B5
	854827	1	• Propeller, aluminum		Front, B6
	854828	1	• Propeller, aluminum		Front, B7
	854828	1	• Propeller, aluminum		Front, B8
3	3851533	1	• • Bushing, front		
4	854830	1	• Propeller, aluminum		Rear, B1
	854831	1	• Propeller, aluminum		Rear, B2
	854832	1	• Propeller, aluminum		Rear, B3
	854833	1	• Propeller, aluminum		Rear, B4
	854834	1	• Propeller, aluminum		Rear, B5
	854835	1	• Propeller, aluminum		Rear, B6
	854836	1	• Propeller, aluminum		Rear, B7
	854837	1	• Propeller, aluminum		Rear, B8
5	3851534	1	• • Bushing, rear		

DP-E



DP-E

REF	PART NO.	QTY	DESCRIPTION	SEE SEC.	NOTES
1	872270	1	Propeller, aluminum • Bulletin P-44-7-1	P-44-7-1-EN	Set, A0 Duoprop Propellers
1	854764	1	Propeller, aluminum		Set, A1
	854765	1	Propeller, aluminum		Set, A2
	854766	1	Propeller, aluminum		Set, A3
	854767	1	Propeller, aluminum		Set, A4
	854768	1	Propeller, aluminum		Set, A5
	854769	1	Propeller, aluminum		Set, A6
	854770	1	Propeller, aluminum		Set, A7
	854771	1	Propeller, aluminum		Set, A8
	854772	1	Propeller, aluminum		Set, A9
	854773	1	Propeller, aluminum		Set, A10
2	872259	1	• Propeller, aluminum		Front, A0
	854774	1	• Propeller, aluminum		Front, A1
	854775	1	• Propeller, aluminum		Front, A2
	854776	1	• Propeller, aluminum		Front, A3
	854777	1	• Propeller, aluminum		Front, A4
	854778	1	• Propeller, aluminum		Front, A5
	854779	1	• Propeller, aluminum		Front, A6
	854780	1	• Propeller, aluminum		Front, A7
	854781	1	• Propeller, aluminum		Front, A8
	854782	1	• Propeller, aluminum		Front, A9
	854783	1	• Propeller, aluminum		Front, A10
3	3851533	1	• • Bushing, front		
4	872264	1	• Propeller, aluminum		Rear, A0
	854784	1	• Propeller, aluminum		Rear, A1
	854785	1	• Propeller, aluminum		Rear, A2
	854786	1	• Propeller, aluminum		Rear, A3
	854787	1	• Propeller, aluminum		Rear, A4
	854788	1	• Propeller, aluminum		Rear, A5
	854789	1	• Propeller, aluminum		Rear, A6
	854790	1	• Propeller, aluminum		Rear, A7
	854791	1	• Propeller, aluminum		Rear, A8
	854792	1	• Propeller, aluminum		Rear, A9
	854793	1	• Propeller, aluminum		Rear, A10
5	3851534	1	• • Bushing, rear		

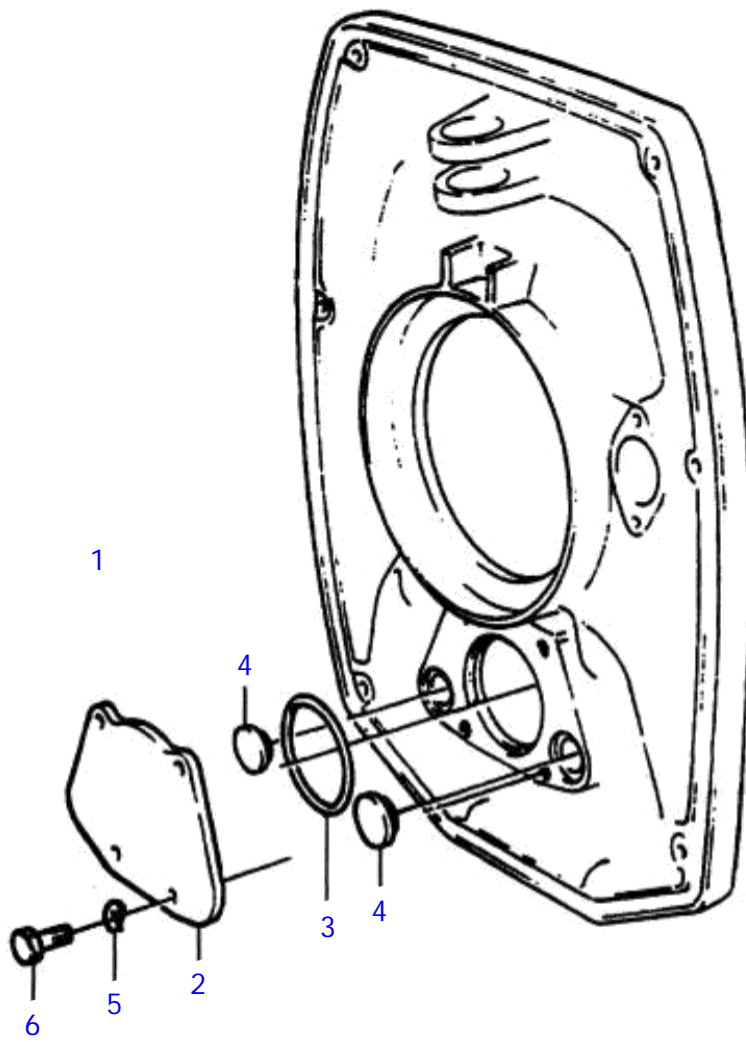


20892

SP-E

REF	PART NO.	QTY	DESCRIPTION	NOTES
1	854977	1	Propeller	LH 14X17
	854978	1	Propeller	LH 14X19
	854979	1	Propeller	LH 14 x 21
	854980	1	Propeller	LH 14X23
	854981	1	Propeller	LH 15X15
	854982	1	Propeller	LH 15X17
	854983	1	Propeller	LH 15X19
	854984	1	Propeller	LH 15X21
	854985	1	Propeller	LH 16X9
	854986	1	Propeller	LH 16x13
	854987	1	Propeller	LH 16X15
	854988	1	Propeller	LH 16X17
	854989	1	Propeller	LH 16X19
	854990	1	Propeller	LH 16X21
	854991	1	Propeller	LH 16X23
	854992	1	Propeller	RH 14X17
	854993	1	Propeller	RH 14X19
	854994	1	Propeller	RH 14X21
	854995	1	Propeller	RH 14X23
	854996	1	Propeller	RH15X15
	854997	1	Propeller	RH 15X17
	854998	1	Propeller	RH 15X19
	854999	1	Propeller	RH 15X21
	872000	1	Propeller	RH 16X13
	872001	1	Propeller	RH 16X15
	872002	1	Propeller	RH 16X17
	872003	1	Propeller	RH 16X19
	872004	1	Propeller	RH 16X21
	872005	1	Propeller	RH 16X23
2	3851531	1	• Bushing	
3	854045	1	Spinner	

DP-E

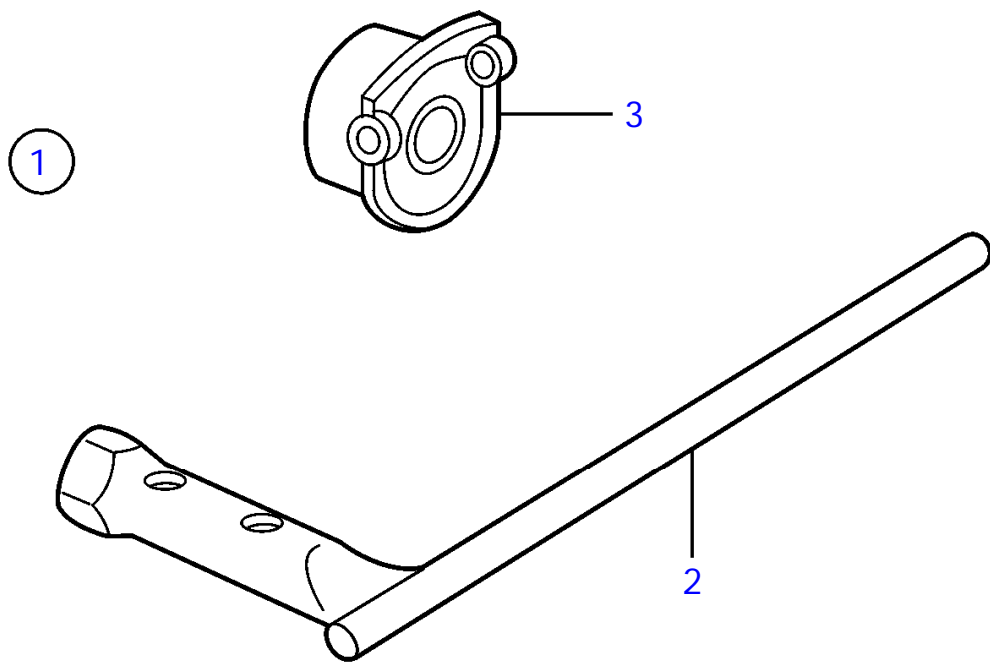


12661

DP-E

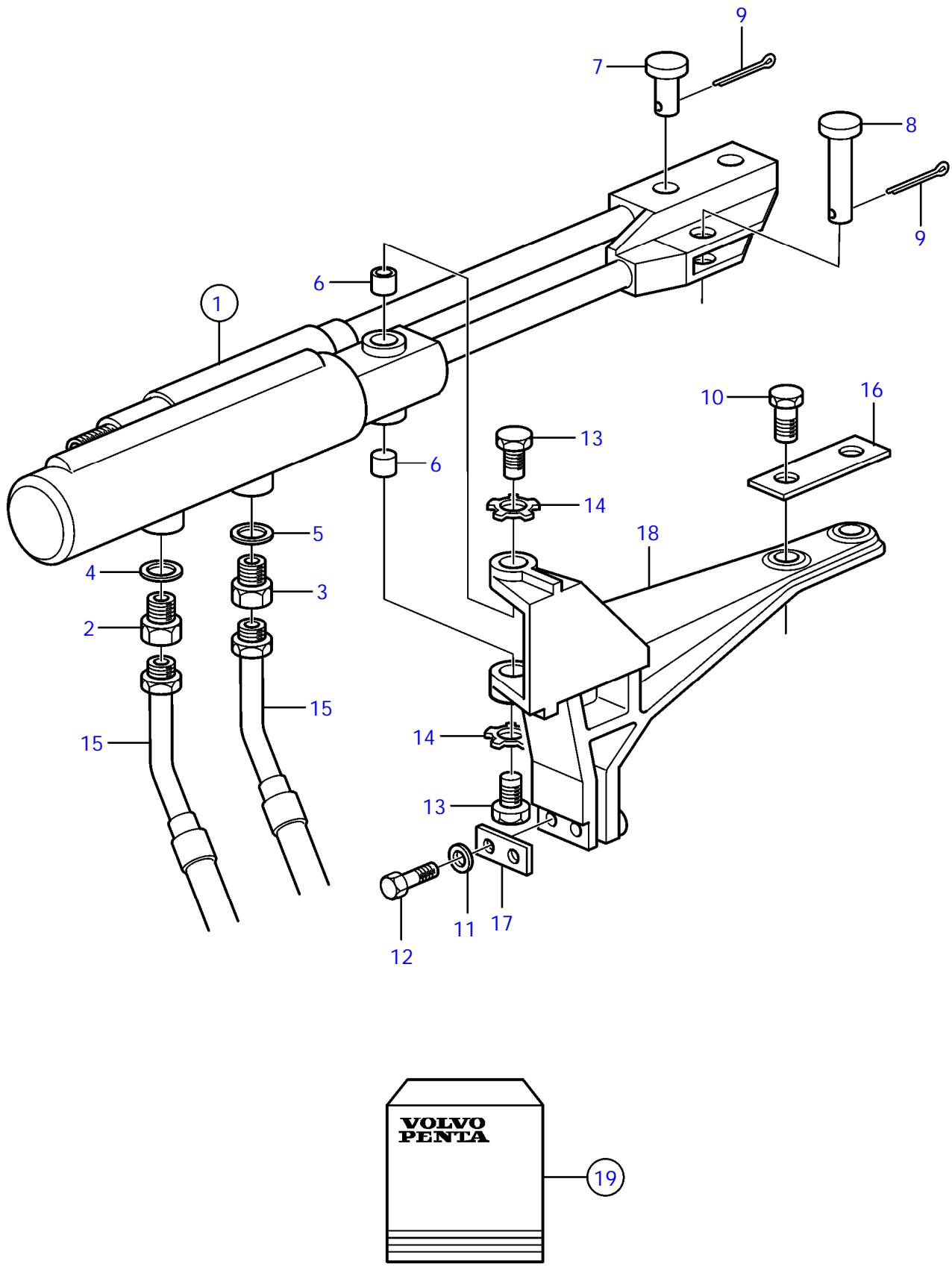
REF	PART NO.	QTY	DESCRIPTION	NOTES
1	(872238)	1	Seal flange kit	Obsolete part
2		1	• Seal flange	
3	925256	1	• O-ring	
4	814473	2	• Closure	
5	941908	4	• Spring washer	
6	970945	4	• Hexagon screw	

DP-E



24647

DP-E, SP-E

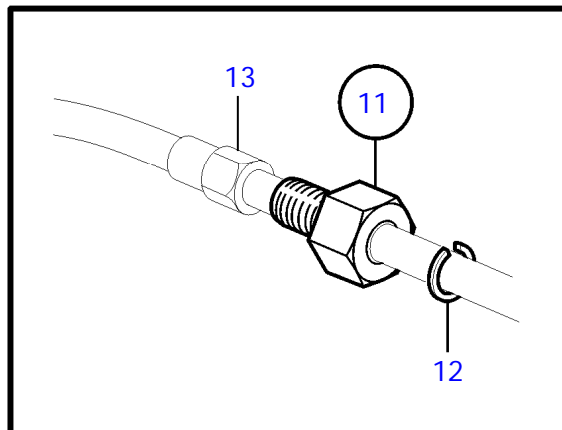
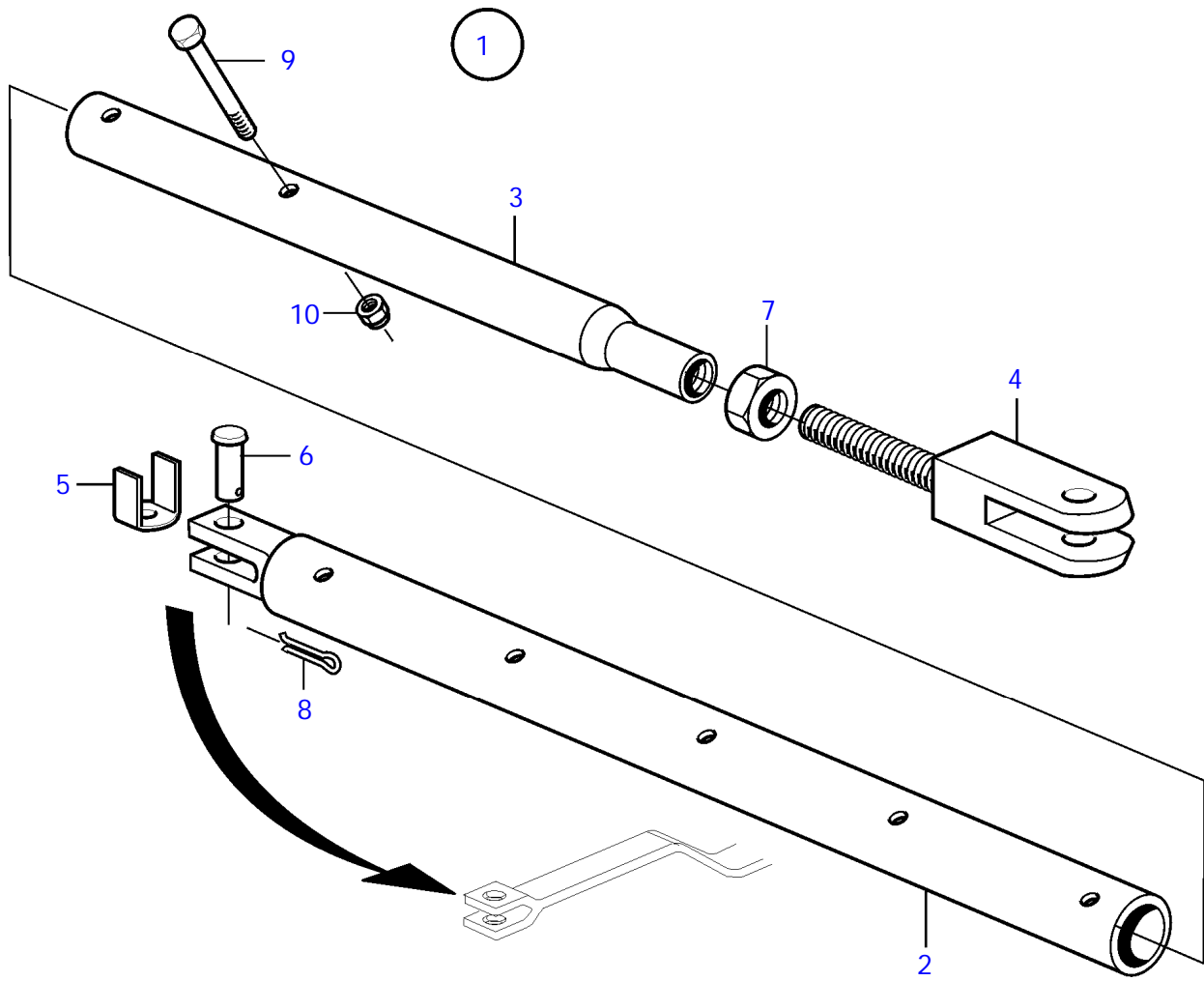


20587

DP-E, SP-E

REF	PART NO.	QTY	DESCRIPTION	NOTES
1	872215	1	Steering cylinder	
2	872698	1	• Nipple	
3	872699	1	• Nipple	
4	955985	1	• O-ring	
5	955982	1	• O-ring	
6	(872700)	2	• Bushing	Obsolete part
7	872490	1	• Split pin	
8	872491	1	• Split pin	
9	949791	2	• Split pin	
10	977625	2	Hexagon screw	
11	941908	2	Spring washer	
12	965185	2	Flange screw	
13	872103	2	Pivot pin	
14	872104	2	Lock washer	
15		2	Hose, steering	See catalog for engine.
16	872311	1	Tab washer	
17	872369	1	Tab washer	
18	872443	1	Bracket	
19	(872697)	1	Sealing ring kit, steering cylinder	For 872215, Obsolete part

DP-E, SP-E



20588

DP-E, SP-E

REF	PART NO.	QTY	DESCRIPTION	NOTES
1	1140610	1	Link rod kit	L=610-970mm
2	828892	1	• Tube	
3	828893	1	• Tube	
4	828894	1	• Adjusting bar	
5	853160	2	• Lock washer	
6	913158	2	• Clevis pin	
7	955806	1	• Hexagon nut	
8	967707	2	• Split pin	
9	970951	2	• Hexagon screw	
10	971089	2	• Lock nut	
11	1140020	1	Impulse limiter	For twin installation.
12	(1140021)	1	• Lock ring	Obsolete part
13		X	Cable, steering	

DP-E, SP-E

REF	PART NO.	QTY	DESCRIPTION	SEE SEC.	NOTES
1	3586765	1	Pump unit	7622	
	853096	1	• Sign		
	853097	1	• Sign		
	854357	2	• Relay		
	854438	1	• Bracket		
	873800	1	• Wiring harness		
	941905	2	• Spring washer		
	941908	2	• Spring washer		
	948211	2	• Cable tie		
	948663	2	• Flange screw		
	952630	4	• Clamp		
	955780	2	• Hexagon nut		
	968476	4	• Flange screw		
	970945	2	• Hexagon screw		
	3587106	4	• Trimmer		
2	876266	1	Gasket kit, upper		
	17253	2	• Split pin		
	17276	1	• Split pin		
	125017	1	• O-ring		
	181620	2	• Sealing ring		
	804261	1	• Gasket		
	804344	1	• Gasket		
	814168	1	• Gasket		
	814356	1	• Sealing		
	876278	1	• Bushing kit		
	832669	1	• Gasket		
	839253	1	• Sealing ring		
	876279	1	• Bushing kit		
	872096	2	• Bushing		
	853868	1	• Sealing ring		
3	876268	1	Gasket kit, lower		SP-E
	125017	1	• O-ring		
	191573	1	• Lock washer		
	804261	1	• Gasket		
	814164	1	• Nut		
	814165	1	• Washer		
	832191	1	• Gasket		
	854300	1	• Nut		
	872755	1	• Sealing ring		
	897426	2	• Sealing ring		
	906633	1	• Round nut		
	907023	1	• Lock washer		
	907025	1	• Lock washer		
4	876267	1	Gasket kit, lower		DP-E
	125017	1	• O-ring		
	851407	2	• Sealing ring		
	852212	1	• Nut		
	853871	1	• Sealing ring		
	872755	1	• Sealing ring		
	906633	1	• Round nut		
	907023	1	• Lock washer		
	925256	1	• O-ring		
	925258	2	• O-ring		
	941820	1	• O-ring		
	955974	1	• O-ring		

--

DESCRIPTION	SEE SEC.	NOTES
DP-C, D, E	36061	DP-E

--

DESCRIPTION	SEE SEC.	NOTES
Control Unit for Digital/Analog Trim Instrument	665	DP-E, SP-E
Rudder Indicator Kit, 290 Drive	667	DP-E, SP-E
Speedometer Kit, High Speed	663	DP-E, SP-E
Electrical Materials	1964	DP-E, SP-E
Electrical Materials	1963	DP-E, SP-E
Electrical Materials	1965	DP-E, SP-E

--

DESCRIPTION	SEE SEC.	NOTES
Drive: .	7327	DP-E
Drive	7326	SP-E
Shield with Mounting Components	7304	DP-E, SP-E
Hydraulic Pump and Trim Instrument	7622	DP-E, SP-E
Hydraulic Pump and Trim Instrument: LATER VERSION	7623	DP-E, SP-E
Trim Cylinders	7305	DP-E, SP-E
Exhaust and Cooling Water Inlet	7306	DP-E, SP-E
Gear Housing, Upper	7329	SP-E
Gear Housing, Upper	7642	DP-E
Intermediate Housing	7332	DP-E, SP-E
Gear Housing, Lower: 1.61:1	7335	SP-E
Gear Housing, Lower	7336	DP-E
Extension Kit, Drive Unit	7344	DP-E, SP-E
Jack Shaft Kit	1758	DP-E
Propeller	7315	DP-E
Propeller	7316	DP-E
Propeller	7616	DP-E
Propellers, High Speed, Long Hub, Aluminum	7636	SP-E
Exhaust Block-off Kit	10675	DP-E
Propeller Tool Kit	35389	DP-E

DESCRIPTION	SEE SEC.	NOTES
Power Steering	7309	DP-E, SP-E
Link Rod Kit for Twin Installation	7310	DP-E, SP-E

--

DESCRIPTION	SEE SEC.	NOTES
Repair Kits	7314	DP-E, SP-E

REF	DESCRIPTION	SEE SEC.
20	Maintenance Parts	20
30	Electrical System	30
44	Transmissions	44
64	Steering System	64
99	Repair Kits	99