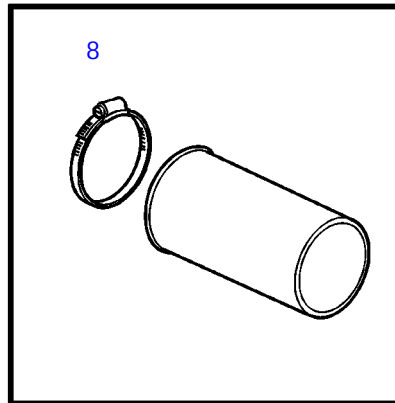
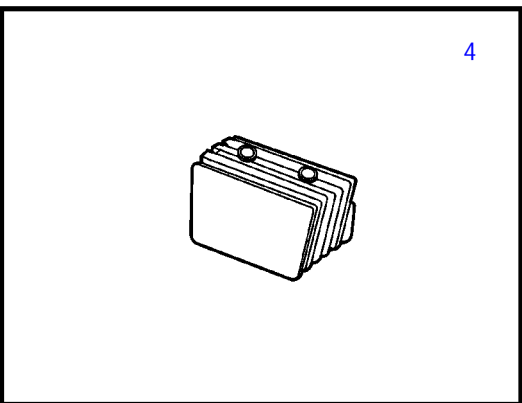
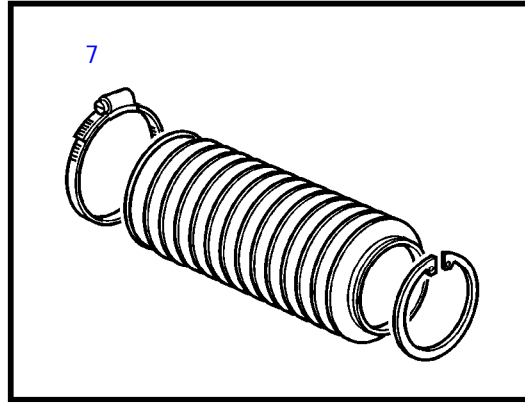
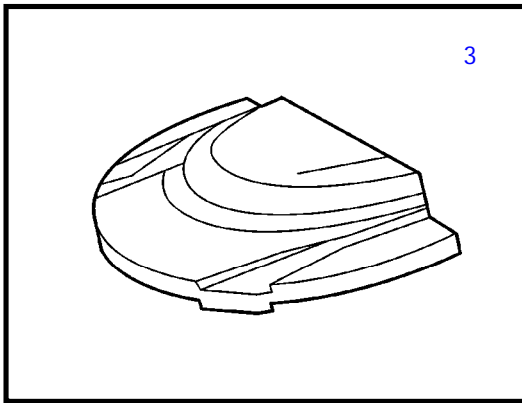
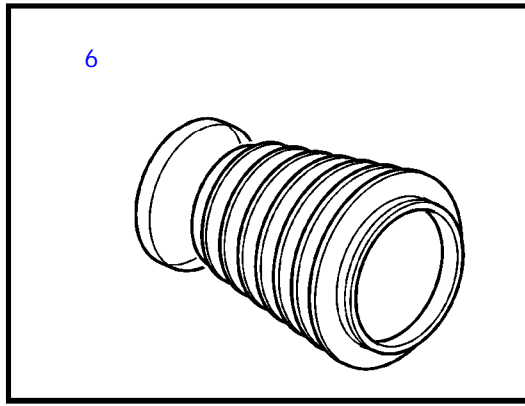
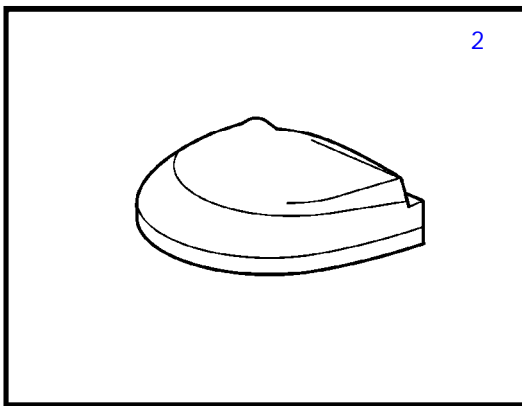
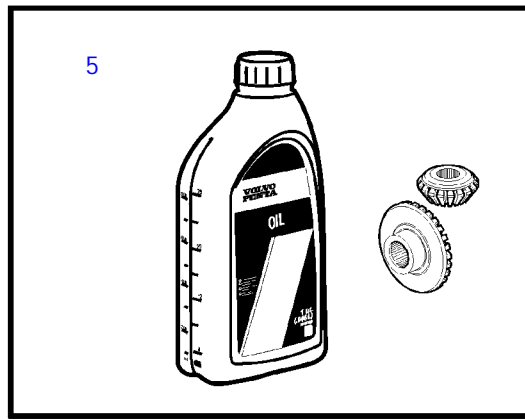
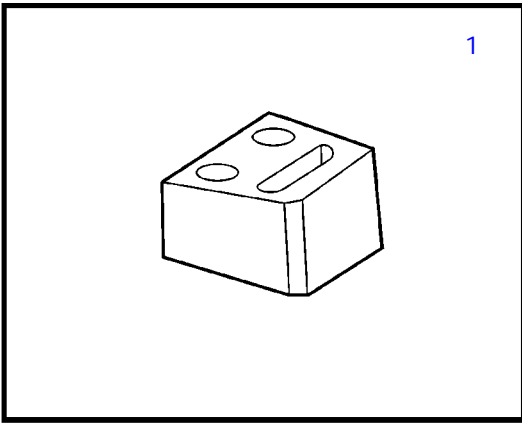


SX-M1



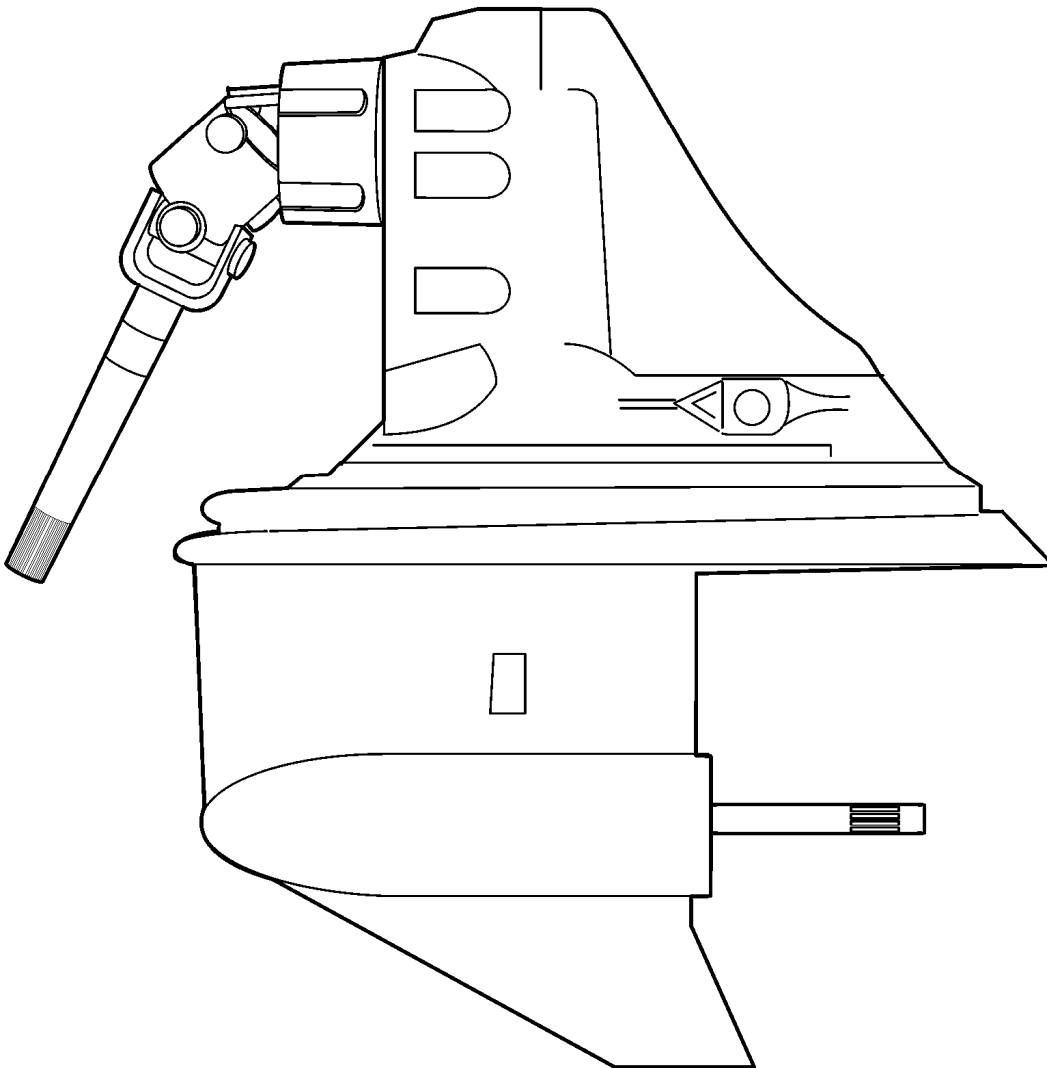
25155

SX-M1

REF	PART NO.	QTY	DESCRIPTION	SEE SEC.	NOTES
1	3586461	1	Anode, aluminum		
	3854130	1	Anode, zinc		
			• Bulletin P-44-1-1	P-44-1-1-EN	Anodes, SX AND DP-S
1	3855610	1	Magnesium anode, magnesium		
2	3863193	1	Anode, aluminum		
	3855411	1	Zinc anode		
			• Bulletin P-44-1-1	P-44-1-1-EN	Anodes, SX AND DP-S
2	3855412	1	Magnesium anode		
3	3857857	1	Zinc anode		
	3857858	1	Magnesium anode		
4	873395	2	Zinc electrode		SX-MHP
	3863480	2	Magnesium anode		SX-MHP
5		X	Transmission oil		Fill level is determined by DIPSTICK
		X	Transmission oil		USA
	1141679	3	Transmission oil		12x1 qt
	1141680	1	Transmission oil		4x1 gal
	1141681	1	Transmission oil		5 gal
		X	Transmission oil		Europe and other markets
	3809443	3	Transmission oil		1L
	1161995	1	Oil		5L
	3809441	1	Transmission oil		20L
6	3841481	1	Bellows kit, U-joint		
	853012	1	• Hose clamp		
7	3850426	1	Bellows, exhaust		
			• Bulletin P-44-1-20	P-44-1-20-EN	Exhaust Bellows, problems with aftermarket parts
7	3852603	1	Hose clamp		
	3852665	1	Retainer		
8	3587641	1	Bellows		
	3852603	1	Hose clamp		

SX-M1 1.43, SX-M1 1.51, SX-M1 1.60, SX-M1 1.66, SX-M1 1.79, SX-M1 1.89, SX-M1 1.97, SX-M1 2.18

1

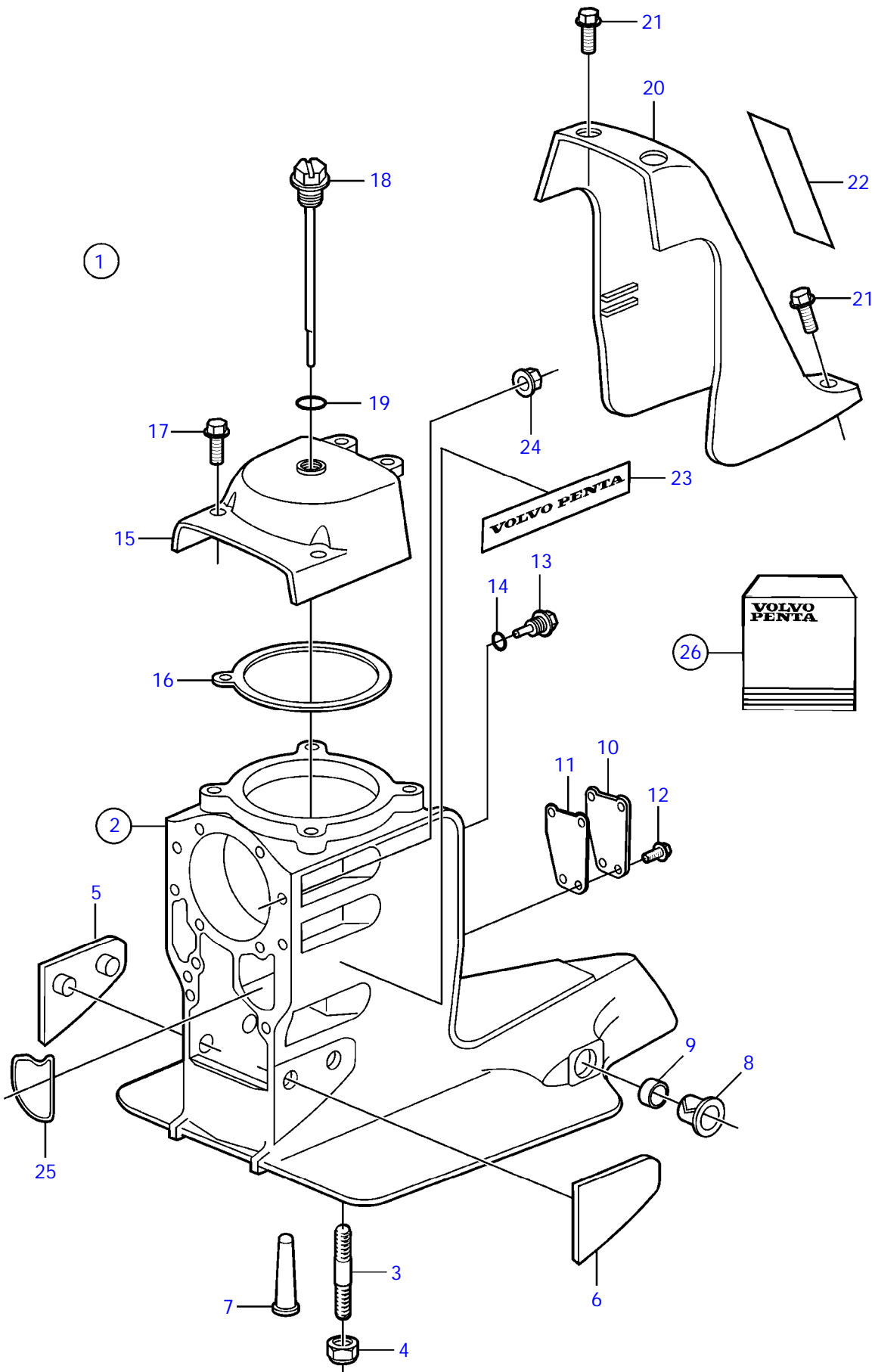


22822

SX-M1 1.43, SX-M1 1.51, SX-M1 1.60, SX-M1 1.66, SX-M1 1.79, SX-M1 1.89, SX-M1 1.97, SX-M1 2.18

REF	PART NO.	QTY	DESCRIPTION	NOTES
1	3869340	1	Drive	SX-M1, 1.43:1
	3801192	1	Aquamatic drive, exc, exch	SX-M1, 1.43:1
	3869339	1	Drive	SX-M1, 1.51:1
	3801191	1	Aquamatic drive, exc, exch	SX-M1, 1.51:1
	3869338	1	Drive	SX-M1, 1.60:1
	3801190	1	Aquamatic drive, exc, exch	SX-M1, 1.60:1
	3869337	1	Drive	SX-M1, 1.66:1
	3801189	1	Aquamatic drive, exc, exch	SX-M1, 1.66:1
	3869336	1	Drive	SX-M1, 1.79:1
	3801188	1	Aquamatic drive, exc, exch	SX-M1, 1.79:1
	3869335	1	Drive	SX-M1, 1.89:1
	3801187	1	Aquamatic drive, exc, exch	SX-M1, 1.89:1
	3869334	1	Drive	SX-M1, 1.97:1
	3801186	1	Aquamatic drive, exc, exch	SX-M1, 1.97:1
	3869333	1	Drive	SX-M1, 2.18:1
	3801185	1	Aquamatic drive, exc, exch	SX-M1, 2.18:1

SX-M1 1.79, SX-M1 1.89, SX-M1 1.97, SX-M1 2.18



22306

Upd:2010-08-03

22306

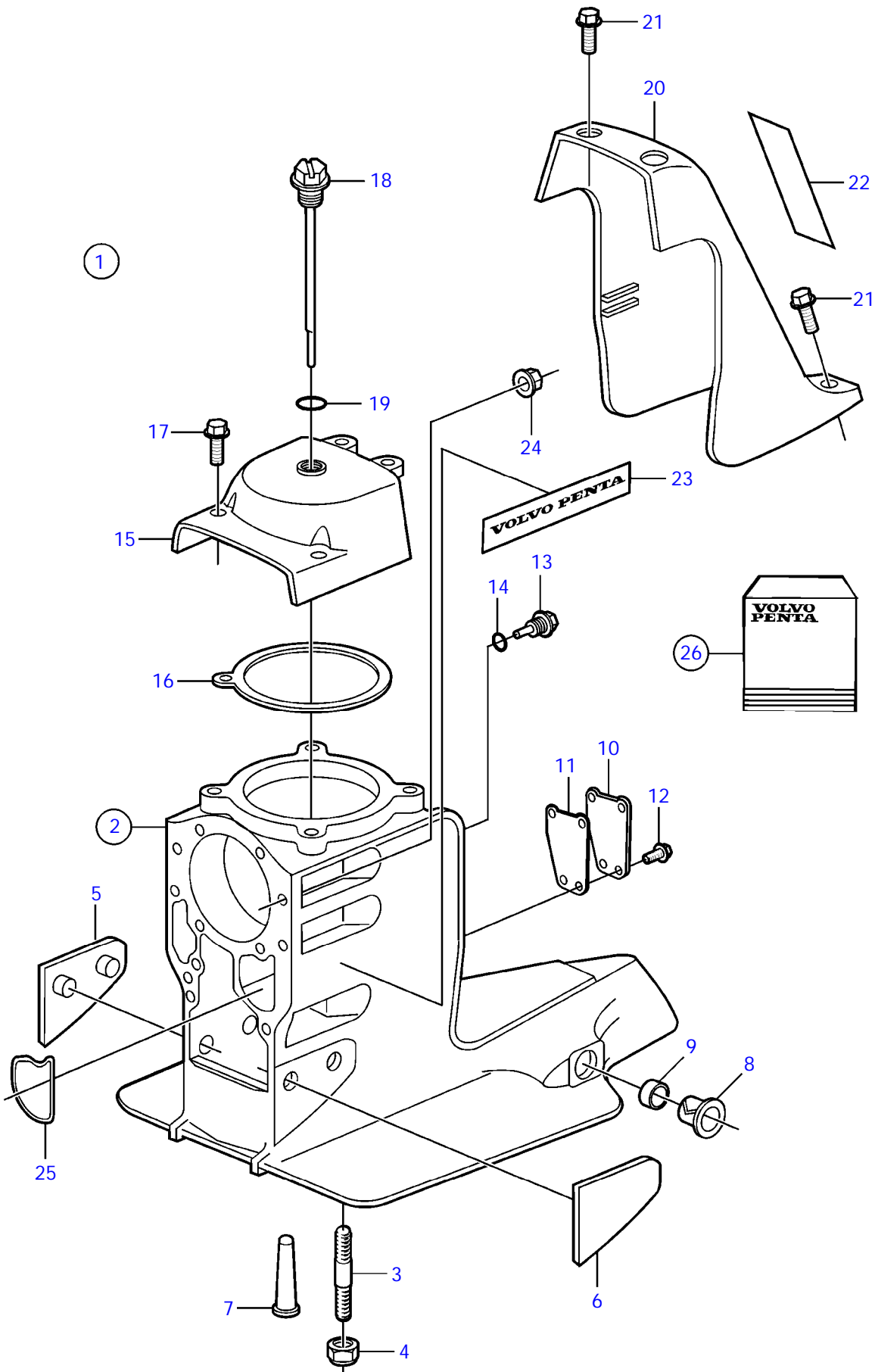
7746030-44-8905



SX-M1 1.79, SX-M1 1.89, SX-M1 1.97, SX-M1 2.18

REF	PART NO.	QTY	DESCRIPTION	NOTES
1	3857010	1	Upper gear	COMPLETE
	3801181	1	Upper gear, exch, exch	COMPLETE
2	3855775	1	Gear housing	
3	941814	4	• Stud	Included in gear housing assembly, used for DP-S., DP-S
4	941885	4	• Lock nut	Included in gear housing assembly, used for DP-S.
5	3589524	1	Plate	
6	3589522	1	Plate	
7	3854021	1	Strainer	
8	3853423	2	Bushing	
9	3853424	2	Grommet	
10	3812478	1	Plate	
11	3812476	1	Gasket	
12	3852373	4	Screw	
13	3854539	1	Plug	
14	3855081	1	• O-ring	
15	3854401	1	Bearing cover	
16	3852317	1	Gasket	
17	3852454	4	Screw	
18	3854847	1	Turn signal	
19	3852045	1	O-ring	
20	3852418	1	Cover	
21	3852568	3	Screw	
22	3858670	1	Decal	Volvo Penta SX
23	3858671	2	Decal	Volvo Penta
24	3853329	6	Nut	
25	3852560	1	Sealing	
26	3850594	1	Kit	

SX-M1 1.43, SX-M1 1.51, SX-M1 1.60, SX-M1 1.66



22306

Upd:2010-08-03

22306

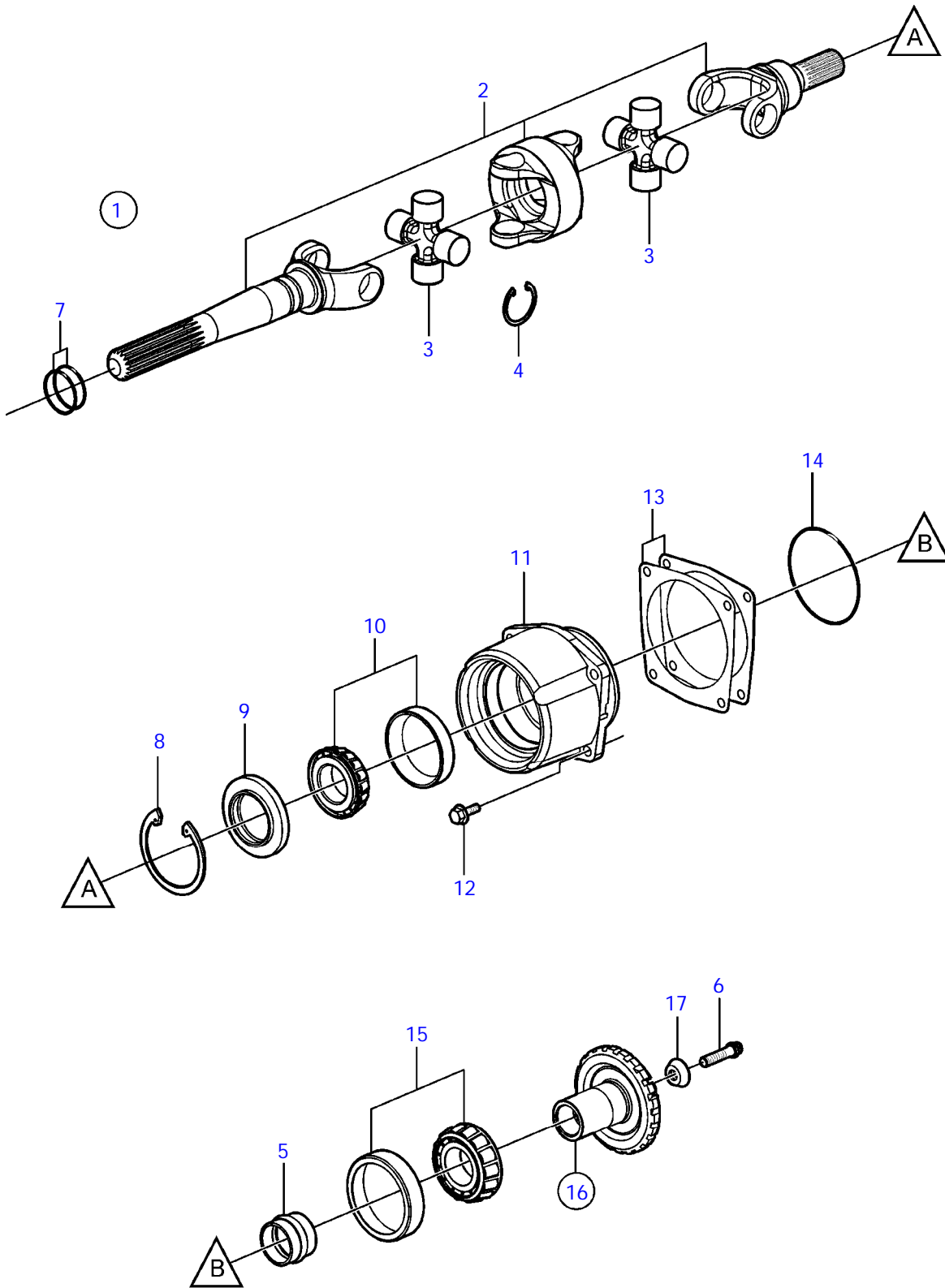
7746030-44-8906



SX-M1 1.43, SX-M1 1.51, SX-M1 1.60, SX-M1 1.66

REF	PART NO.	QTY	DESCRIPTION	NOTES
1	3857007	1	Upper gear	COMPLETE
	3801180	1	Upper gear, exch, exch	COMPLETE
2	3855775	1	Gear housing	
3	941814	4	• Stud	Included in gear housing assembly, used for DP-S.
4	941885	4	• Lock nut	Included in gear housing assembly, used for DP-S.
5	3589524	1	Plate	
6	3589522	1	Plate	
7	3854021	1	Strainer	
8	3853423	2	Bushing	
9	3853424	2	Grommet	
10	3812478	1	Plate	
11	3812476	1	Gasket	
12	3852373	4	Screw	
13	3854539	1	Plug	
14	3855081	1	• O-ring	
15	3854401	1	Bearing cover	
16	3852317	1	Gasket	
17	3852454	4	Screw	
18	3854847	1	Turn signal	
19	3852045	1	O-ring	
20	3852418	1	Cover	
21	3852568	3	Screw	
22	3858670	1	Decal	Volvo Penta SX
23	3858671	2	Decal	Volvo Penta
24	3853329	6	Nut	
25	3852560	1	Sealing	
26	3850594	1	Kit	

SX-M1 1.79, SX-M1 1.89, SX-M1 1.97, SX-M1 2.18

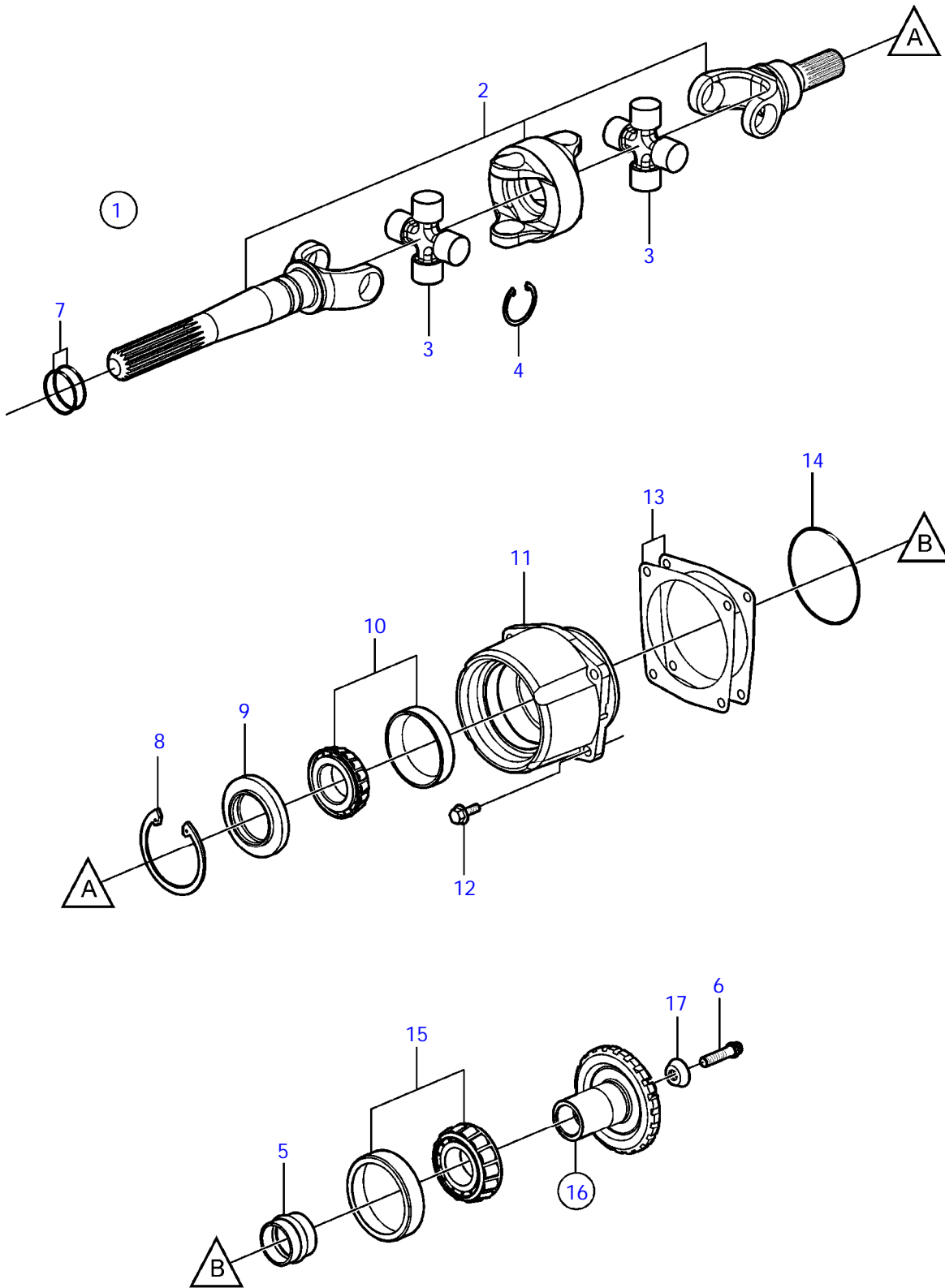


19618

SX-M1 1.79, SX-M1 1.89, SX-M1 1.97, SX-M1 2.18

REF	PART NO.	QTY	DESCRIPTION	SEE SEC.	NOTES
1	3860842	1	Kit		2000 to 2005
			• Bulletin P-44-1-5	P-44-1-5-EN	U-joints
2		1	• Universal joint		not sold separately
3		2	• • Spider		not sold separately
4		4	• • Snap ring		not sold separately
5	3852304	1	• Sleeve		
6	3860364	1	• Screw		L=44mm
7	3852565	2	O-ring		
8	914538	1	Snap ring		
9	3852272	1	Sealing		
10	3850853	1	Bearing		
11	3852267	1	Bearing housing		
12	3852454	4	Screw		
13	3852355	X	Shim		TH=0.003"
	3852356	X	Adjusting washer		TH=0.004"
	3852357	X	Adjusting washer		TH=0.005"
	3852358	X	Adjusting washer		TH=0.010"
14	925095	1	O-ring		
15	3850852	1	Bearing		
16	3856996	1	Gear set		
17	853026	1	Washer		

SX-M1 1.43, SX-M1 1.51, SX-M1 1.60, SX-M1 1.66

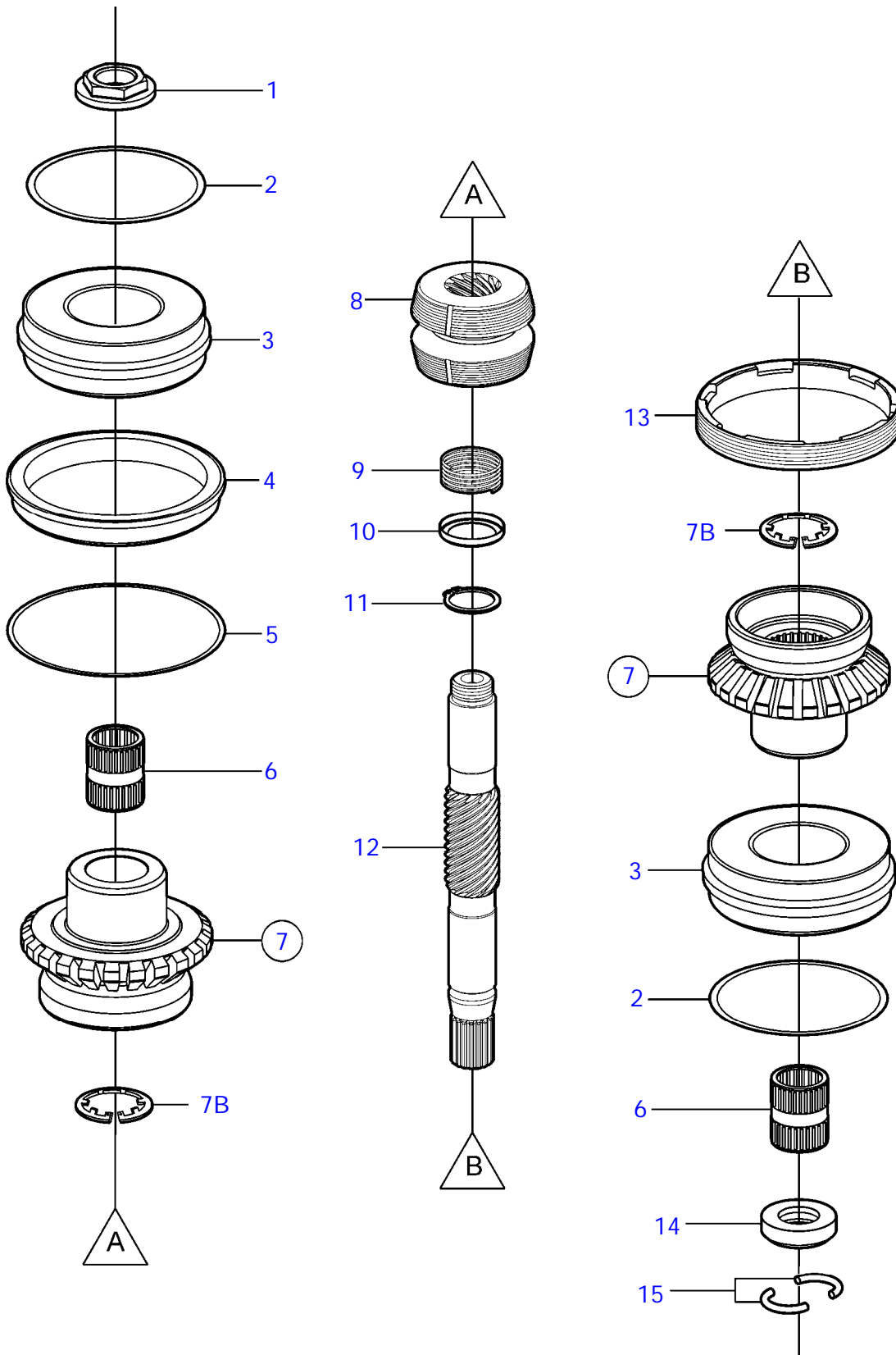


19618

SX-M1 1.43, SX-M1 1.51, SX-M1 1.60, SX-M1 1.66

REF	PART NO.	QTY	DESCRIPTION	SEE SEC.	NOTES
1	3860842	1	Kit		2000 to 2005
			• Bulletin P-44-1-5	P-44-1-5-EN	U-joints
2		1	• Universal joint		not sold separately
3		2	• • Spider		not sold separately
4		4	• • Snap ring		not sold separately
5	3860364	1	• Screw		
6	3852304	1	• Sleeve		
7	3852565	2	O-ring		
8	914538	1	Snap ring		
9	3852272	1	Sealing		
10	3850853	1	Bearing		
11	3852267	1	Bearing housing		
12	3852454	4	Screw		
13	3852355	X	Shim		TH=0.003"
	3852356	X	Adjusting washer		TH=0.004"
	3852357	X	Adjusting washer		TH=0.005"
	3852358	X	Adjusting washer		TH=0.010"
14	925095	1	O-ring		
15	3850852	1	Bearing		
16	3851203	1	Gear		
17	853026	1	Washer		

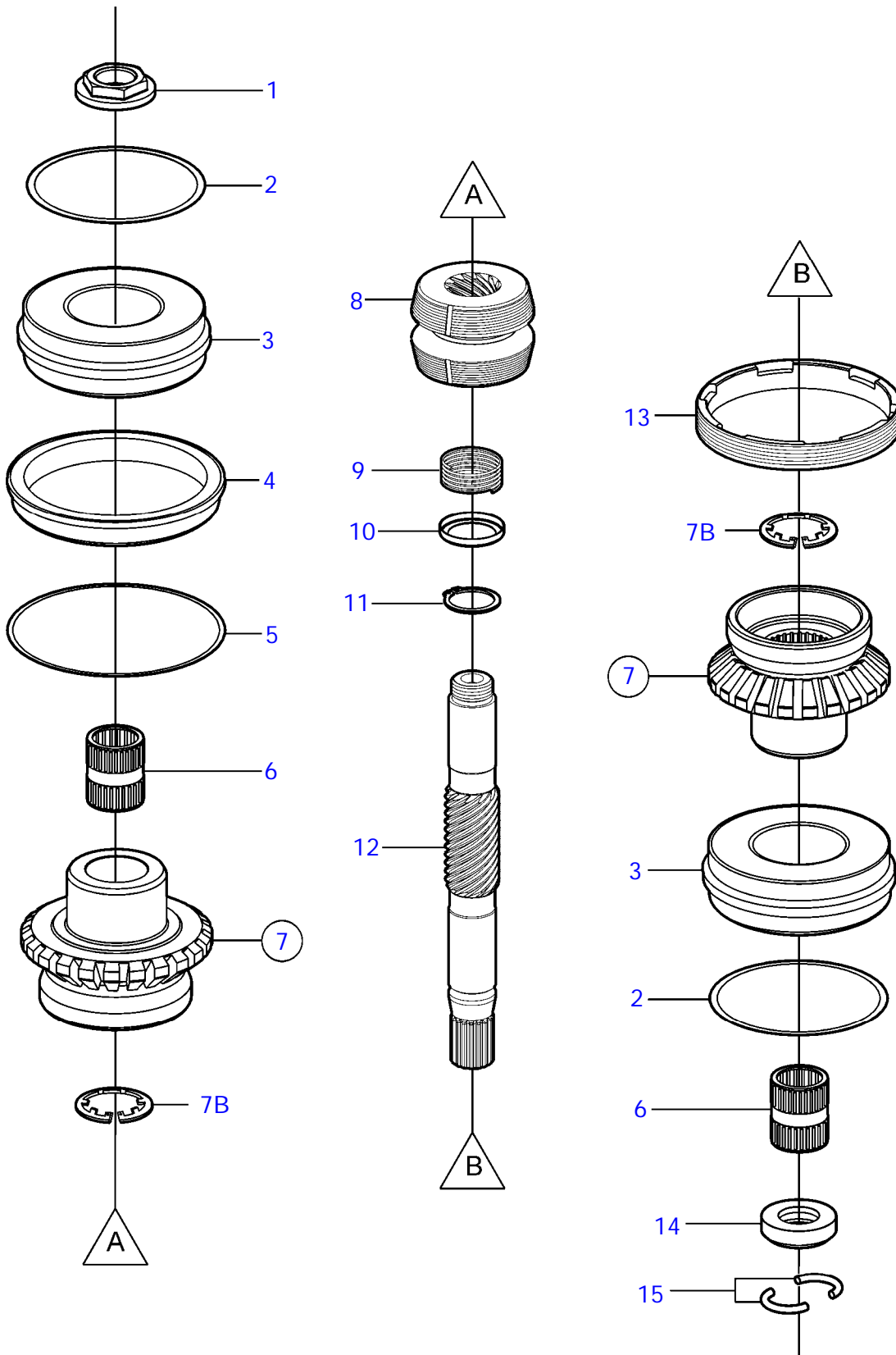
SX-M1 1.79, SX-M1 1.89, SX-M1 1.97, SX-M1 2.18



SX-M1 1.79, SX-M1 1.89, SX-M1 1.97, SX-M1 2.18

REF	PART NO.	QTY	DESCRIPTION	SEE SEC.	NOTES
1	3852301	X	Nut		TH = 0.00
	3852302	X	Nut		TH = 0.20mm
	3852303	X	Nut		TH = 0.40mm
	3852375	X	Nut		TH = 0.60mm
2	3852368	X	Shim		TH=0.002"
	3852369	X	Shim		TH=0.003"
	3852370	X	Shim		TH=0.004"
	3852371	X	Shim		TH=0.005"
	3852372	X	Shim		TH=0.010"
3	3857176	2	Kit		
4	3852269	1	Ring		
5	3852363	X	Shim		TH=0.002"
	3852364	X	Shim		TH=0.003"
	3852365	X	Shim		TH=0.004"
	3852366	X	Shim		TH=0.005"
	3852367	X	Shim		TH=0.010"
6	3852390	2	Bearing		
7	3856996	1	Gear set		replaced by next part number
	21130693	1	Kit		contains gear set, sliding sleeve & shoe
7B	190356	2	• Snap ring		
8	3855783	1	Sliding sleeve		replaced by next part number
			• Bulletin P-44-1-18	P-44-1-18-EN	Shift Cone
8	3807613	1	Sliding sleeve		
9	3852296	1	Spring		Not used on later versions.
10	3852298	1	Spacer		Not used on later versions.
11	951078	1	Snap ring		Not used on later versions.
12	3852292	1	Spindle		
13	3852262	1	Ring		
14	3852294	1	Ring		
15	3852295	2	Locking clip		

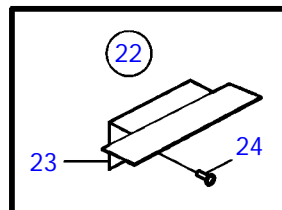
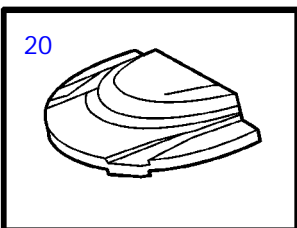
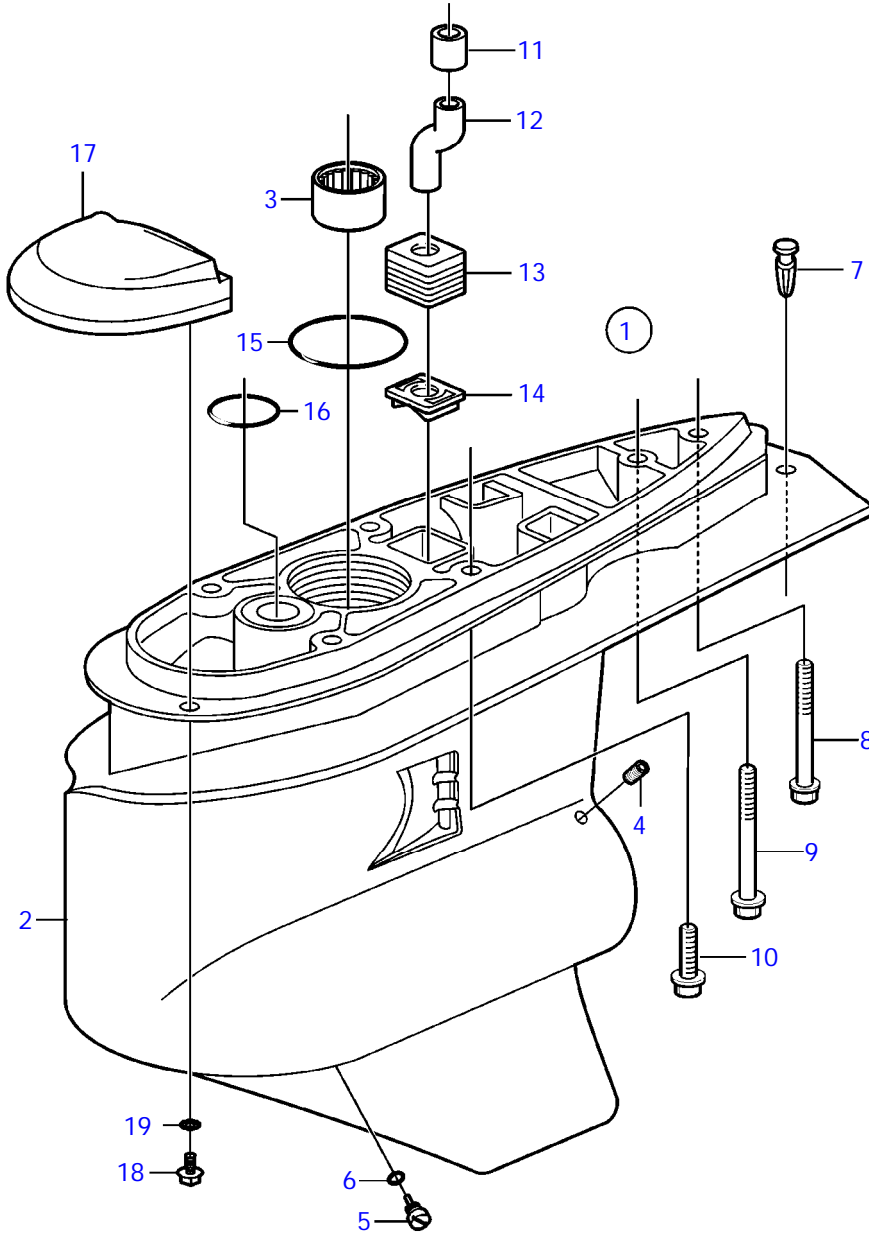
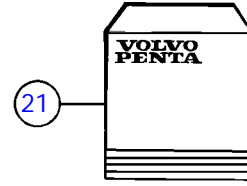
SX-M1 1.43, SX-M1 1.51, SX-M1 1.60, SX-M1 1.66



SX-M1 1.43, SX-M1 1.51, SX-M1 1.60, SX-M1 1.66

REF	PART NO.	QTY	DESCRIPTION	SEE SEC.	NOTES
1	3852301	1	Nut		TH = 0.00
	3852302	1	Nut		TH = 0.20mm
	3852303	1	Nut		TH = 0.40mm
	3852375	1	Nut		TH = 0.60mm
2	3852368	1	Shim		TH=0.002"
	3852369	1	Shim		TH=0.003"
	3852370	1	Shim		TH=0.004"
	3852371	1	Shim		TH=0.005"
	3852372	1	Shim		TH=0.010"
3	3857176	2	Kit		
4	3852269	1	Ring		
5	3852363	1	Shim		TH=0.002"
	3852364	1	Shim		TH=0.003"
	3852365	1	Shim		TH=0.004"
	3852366	1	Shim		TH=0.005"
	3852367	1	Shim		TH=0.010"
6	3852390	2	Bearing		
7	3851203	1	Gear		replaced by next part number
	21130692	1	Kit		contains gear set, sliding sleeve & shoe
7B	190356	2	• Snap ring		
8	3855783	1	Sliding sleeve		replaced by next part number
			• Bulletin P-44-1-18	P-44-1-18-EN	Shift Cone
8	3807613	1	Sliding sleeve		
9	3852296	1	Spring		Not used on later versions.
10	3852298	1	Spacer		Not used on later versions.
11	951078	1	Snap ring		Not used on later versions.
12	3852292	1	Spindle		
13	3852262	1	Ring		
14	3852294	1	Ring		
15	3852295	2	Locking clip		

SX-M1 1.43, SX-M1 1.51, SX-M1 1.60, SX-M1 1.66, SX-M1 1.79, SX-M1 1.89, SX-M1 1.97, SX-M1 2.18

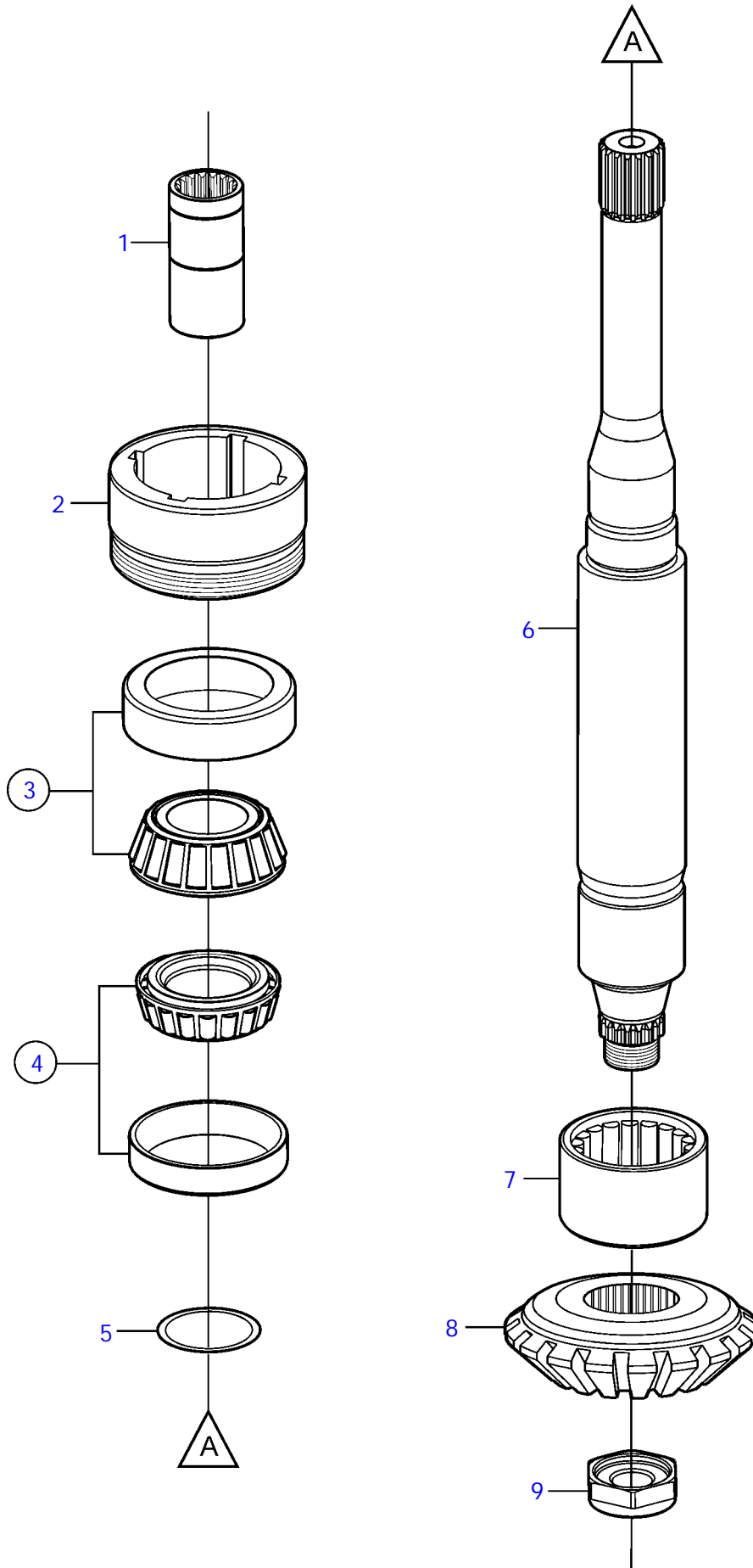


22307

SX-M1 1.43, SX-M1 1.51, SX-M1 1.60, SX-M1 1.66, SX-M1 1.79, SX-M1 1.89, SX-M1 1.97, SX-M1 2.18

REF	PART NO.	QTY	DESCRIPTION	SEE SEC.	NOTES
1	3855692	1	Lower gear, complete		1.43:1
	3801193	1	Lower gear, exch, complete, exch		1.43:1
	3855693	1	Lower gear, complete		1.51:1 & 1.79:1
	3801194	1	Aquamatic drive, exc, complete, exch		1.51:1 & 1.79:1
	3855694	1	Lower gear, complete		1.60:1 & 1.89:1
	3801195	1	Aquamatic drive, exc, complete, exch		1.60:1 & 1.89:1
	3855695	1	Lower gear, complete		1.66:1 & 1.97:1
	3801196	1	Aquamatic drive, exc, complete, exch		1.66:1 & 1.97:1
	3855696	1	Lower gear, complete		2.18:1
	3801198	1	Aquamatic drive, exc, complete, exch		2.18:1
2	3855363	1	Gear housing		
3	3853934	1	• Bearing		
4	3853272	1	Screw		
5	3854539	1	Plug		
6	3855081	1	• O-ring		
7	3850662	1	Plug		
8	3854805	1	Screw		
9	3854806	1	Screw		
10	3854807	4	Screw		
11	3852315	1	Sealing		
12	3860252	1	Tube		
13	3854595	1	Sealing		
14	3854601	1	Retainer		
15	3852866	1	O-ring		
16	3852959	1	O-ring		
17	3855411	X	Zinc anode		
			• Bulletin P-44-1-1	P-44-1-1-EN	Anodes, SX AND DP-S
17	3855412	X	Magnesium anode		
	3863193	X	Anode, aluminum		
18	3852186	2	Hexagon screw		
19	3852182	2	Washer		
20	3857857	X	Zinc anode		
	3857858	X	Magnesium anode		
21	3855275	X	Kit		
22	3856171	X	Muffler		exhaust block-off
23		2	• Bracket		
24	804269	4	• Drive screw		

SX-M1 1.43, SX-M1 1.51, SX-M1 1.60, SX-M1 1.66, SX-M1 1.79, SX-M1 1.89, SX-M1 1.97, SX-M1 2.18

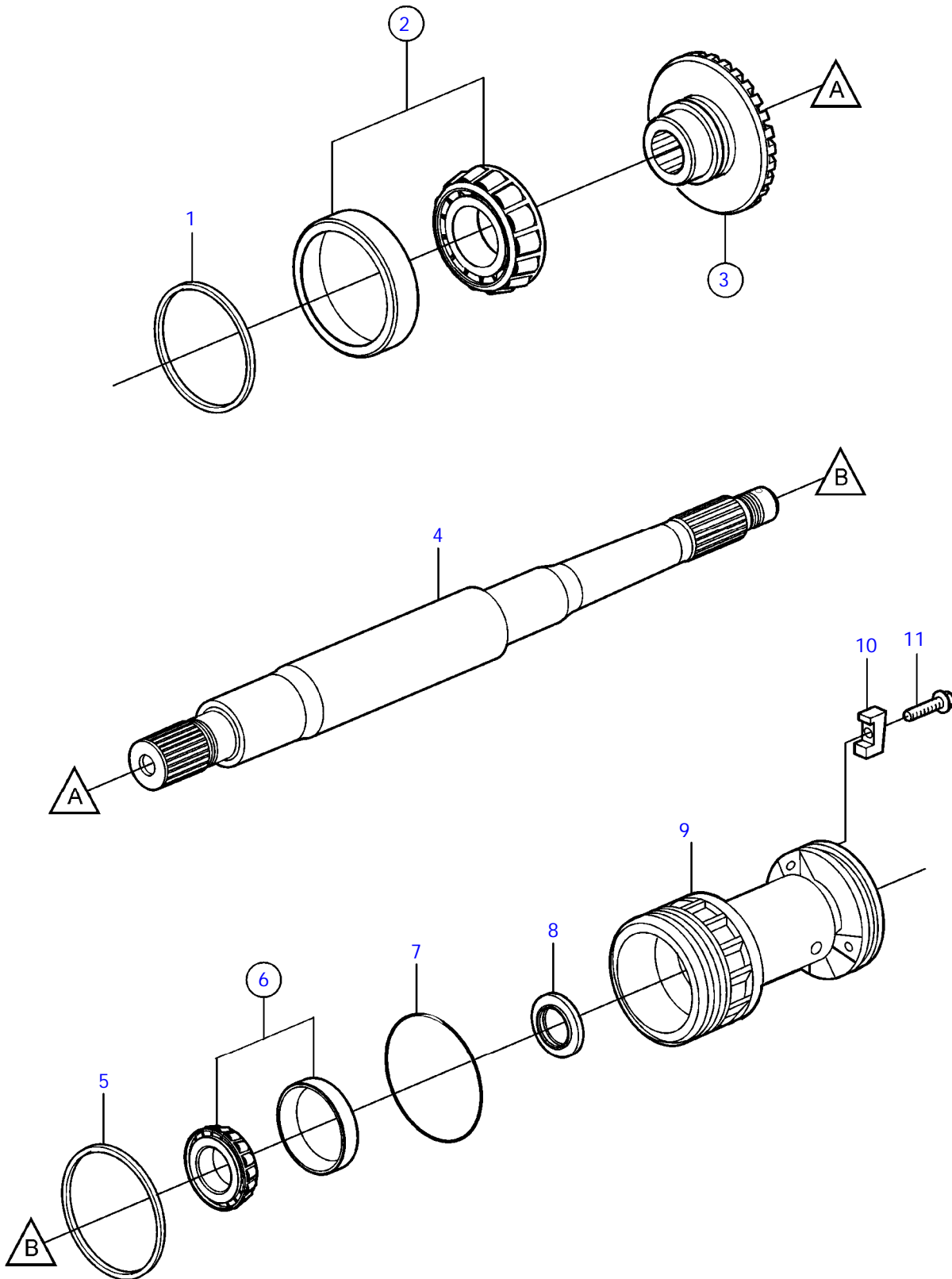


19622

SX-M1 1.43, SX-M1 1.51, SX-M1 1.60, SX-M1 1.66, SX-M1 1.79, SX-M1 1.89, SX-M1 1.97, SX-M1 2.18

REF	PART NO.	QTY	DESCRIPTION	NOTES
1	3852268	1	Splined sleeve	
2	3855636	1	Retainer	
3	3854250	1	Roller bearing	
4	3854249	1	Roller bearing	
5	3852889	X	Shim	TH = 0.003"
	3852890	X	Shim	TH = 0.004"
	3852891	X	Shim	TH = 0.005"
	3852892	X	Shim	TH = 0.010"
6	3851342	1	Countershaft	
7	3853934	1	Bearing	
8	3854814	1	Gear set	1.43:1
	3852402	1	Drive gear set	1.51:1 & 1.79:1
	3852403	1	Drive gear set	1.60:1 & 1.89:1
	3852404	1	Drive gear set	1.66:1 & 1.97:1
	3852405	1	Drive gear set	2.18:1
9	3851003	1	Nut	

SX-M1 1.43, SX-M1 1.51, SX-M1 1.60, SX-M1 1.66, SX-M1 1.79, SX-M1 1.89, SX-M1 1.97, SX-M1 2.18

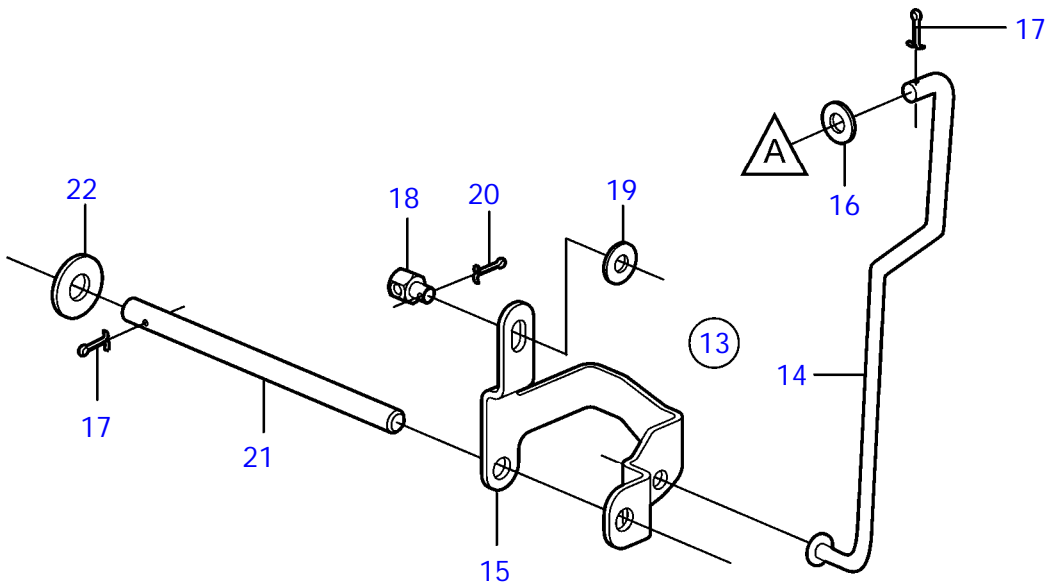
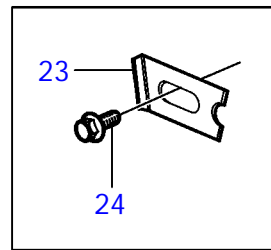
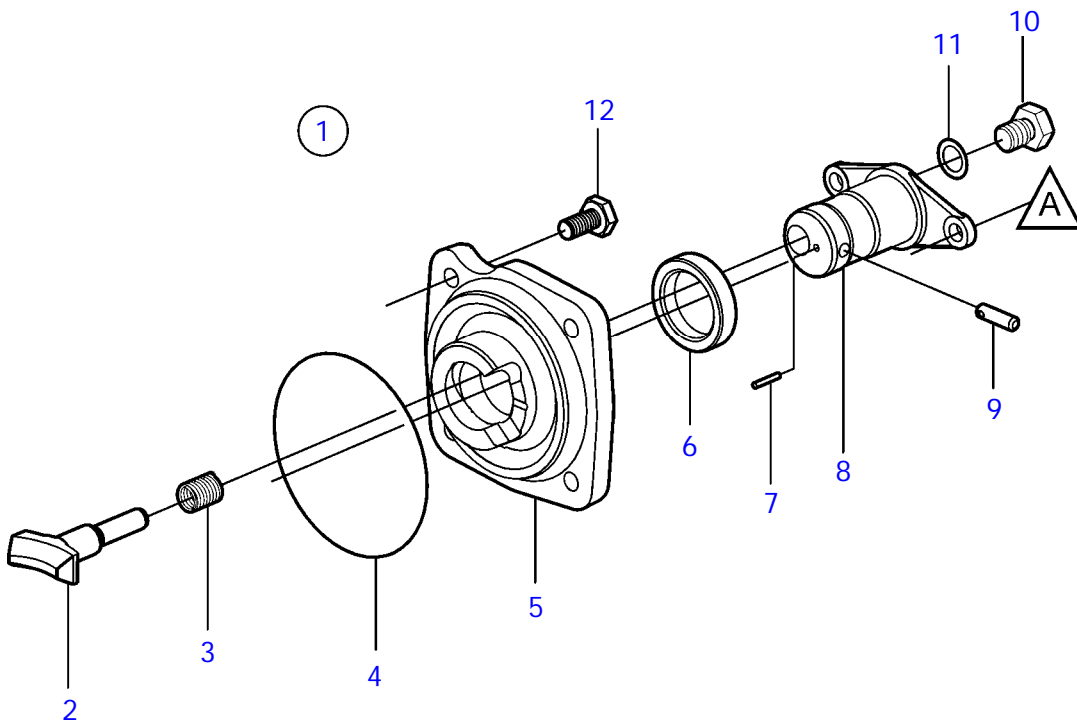


22316

SX-M1 1.43, SX-M1 1.51, SX-M1 1.60, SX-M1 1.66, SX-M1 1.79, SX-M1 1.89, SX-M1 1.97, SX-M1 2.18

REF	PART NO.	QTY	DESCRIPTION	NOTES
1	3850695	X	Shim	TH=0.002"
	3852886	X	Shim	TH=0.003"
	3852885	X	Shim	TH=0.004"
	3852887	X	Shim	TH=0.005"
	3852888	X	Shim	TH=0.010"
2	3850942	1	Bearing	
3	3854814	1	Gear set	1.43:1
	3852402	1	Drive gear set	1.51:1 & 1.79:1
	3852403	1	Drive gear set	1.60:1 & 1.89:1
	3852404	1	Drive gear set	1.66:1 & 1.97:1
	3852405	1	Drive gear set	2.18:1
4	3857675	1	Shaft	
5	3852881	X	Ring	TH=0.096"
	3852882	X	Ring	TH=0.098"
	3852868	X	Ring	TH=0.100"
	3852869	X	Ring	TH=0.102"
	3852870	X	Ring	TH=0.104"
	3852871	X	Ring	TH=0.106"
	3852872	X	Ring	TH=0.108"
	3852873	X	Ring	TH=0.110"
	3852874	X	Ring	TH=0.112"
	3852875	X	Ring	TH=0.114"
	3852876	X	Ring	TH=0.116"
	3852877	X	Ring	TH=0.118"
	3852878	X	Ring	TH=0.120"
	3852879	X	Ring	TH=0.122"
	3852880	X	Ring	TH=0.124"
6	3854249	1	Roller bearing	
7	3852865	1	O-ring	
8	3863090	1	Sealing	
9	3858051	1	Housing	
10	3853371	1	Retainer	
11	3852478	1	Screw	

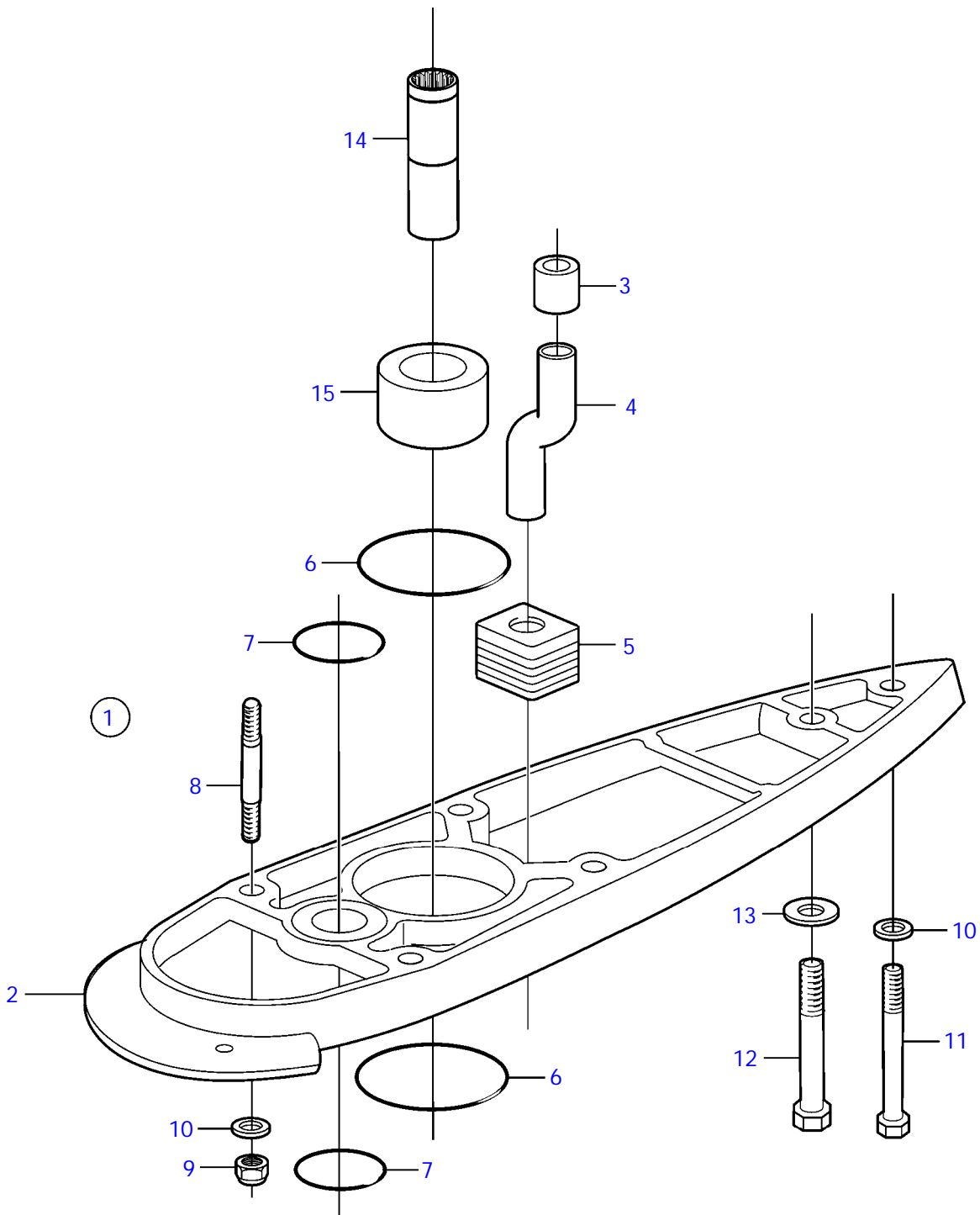
SX-M1 1.43, SX-M1 1.51, SX-M1 1.60, SX-M1 1.66, SX-M1 1.79, SX-M1 1.89, SX-M1 1.97, SX-M1 2.18



SX-M1 1.43, SX-M1 1.51, SX-M1 1.60, SX-M1 1.66, SX-M1 1.79, SX-M1 1.89, SX-M1 1.97, SX-M1 2.18

REF	PART NO.	QTY	DESCRIPTION
1	3855787	1	Shift unit
2	3856502	1	• Dog
3	814184	1	• Spring
4	925093	1	• O-ring
5	3855785	1	• Bearing housing
6	853868	1	• Sealing ring
7	973593	1	• Spring pin
8	3856008	1	• Plunger
9	942871	1	• Clevis pin
10	897711	1	• Screw
11	897871	4	• Shim
12	3856742	4	Screw
13	3857460	1	Link rod kit
14		1	• Bar
15		1	• Bracket
16	3852193	1	Washer
17	3852052	2	Split pin
18	3852329	1	Cube
19	3852193	1	Washer
20	3854480	1	Split pin
21	3852277	1	Bar
22	3852083	1	Washer
23	3809477	1	Retainer, shift cable
24	3852006	1	Screw

SX-M1 1.43, SX-M1 1.51, SX-M1 1.60, SX-M1 1.66, SX-M1 1.79, SX-M1 1.89, SX-M1 1.97, SX-M1 2.18

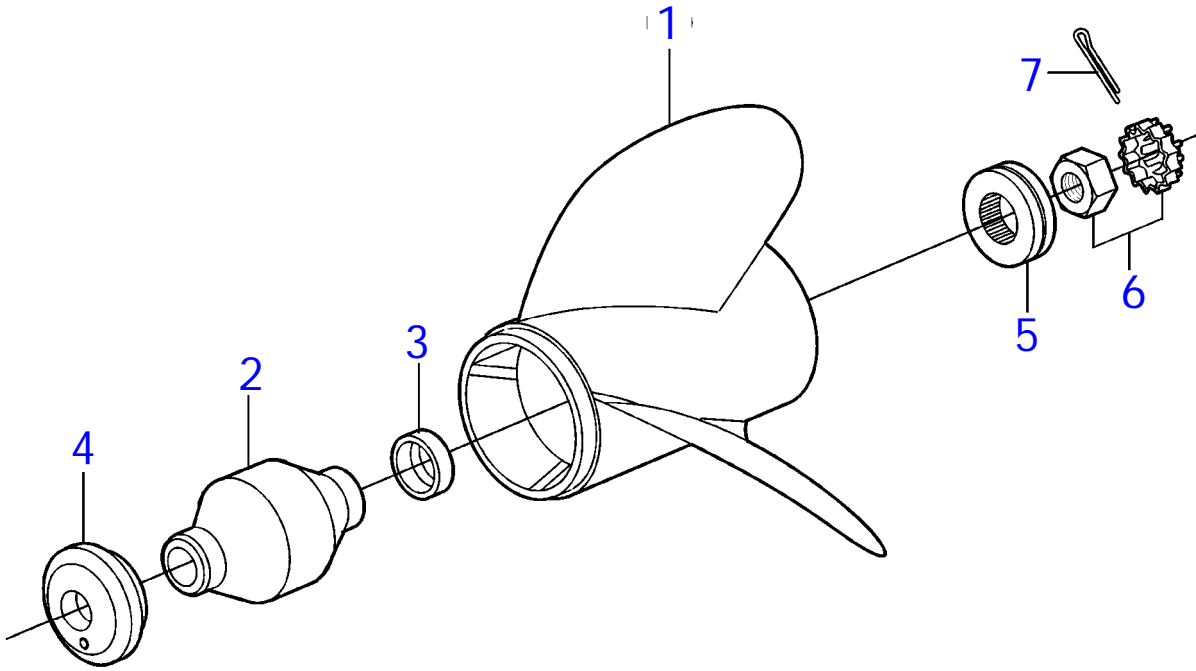


19626

SX-M1 1.43, SX-M1 1.51, SX-M1 1.60, SX-M1 1.66, SX-M1 1.79, SX-M1 1.89, SX-M1 1.97, SX-M1 2.18

REF	PART NO.	QTY	DESCRIPTION	NOTES
1	3855667	1	Extension kit	
2		1	• Extension	
3	3852315	1	• Sealing	
4	3854530	1	• Hose	
5	3854595	1	• Sealing	
6	3852866	2	• O-ring	
7	3852959	2	• O-ring	
8	3856718	4	• Stud	
9	941885	4	• Lock nut	
10	3856736	5	• Washer	
11	3856724	1	• Bolt	SX
	3856725	1	• Bolt	DP-S
12	3856726	1	• Bolt	SX
	3856727	1	• Bolt	DP-S
13	3856735	1	• Washer	
14	854684	1	• Splined sleeve	
15	3855633	1	• Retainer	

SX-M1 1.43, SX-M1 1.51, SX-M1 1.60, SX-M1 1.66, SX-M1 1.79, SX-M1 1.89, SX-M1 1.97, SX-M1 2.18

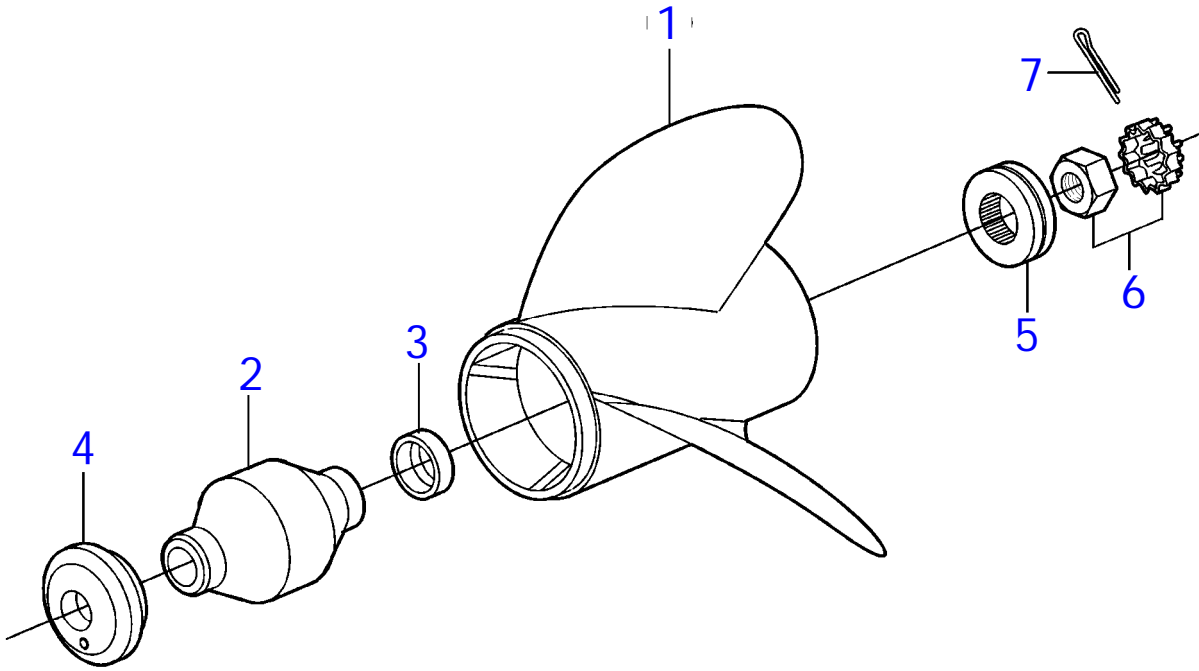


21270

SX-M1 1.43, SX-M1 1.51, SX-M1 1.60, SX-M1 1.66, SX-M1 1.79, SX-M1 1.89, SX-M1 1.97, SX-M1 2.18

REF	PART NO.	QTY	DESCRIPTION	NOTES
1	3862462	1	Propeller	RH, 14.75 X 17
	3860708	1	Propeller	RH, 14.75 X 19
	3860709	1	Propeller	RH, 14.75 X 21
	3860710	1	Propeller	RH, 14.25 X 23
	3860714	1	Propeller	LH, 14.75 X 17
	3860715	1	Propeller	LH, 14.75 X 19
	3860716	1	Propeller	LH, 14.75 X 21
	3860717	1	Propeller	LH, 14.25 X 23
2	3862086	1	• Bushing	
3	3850831	1	• • Sleeve	
4	3852020	1	Bushing	
5	3852350	1	Spacer	
6	3850984	1	Propeller nut	
		1	• Nut	
		1	• Retainer	
7	3852056	1	Split pin	

SX-M1 1.43, SX-M1 1.51, SX-M1 1.60, SX-M1 1.66, SX-M1 1.79, SX-M1 1.89, SX-M1 1.97, SX-M1 2.18

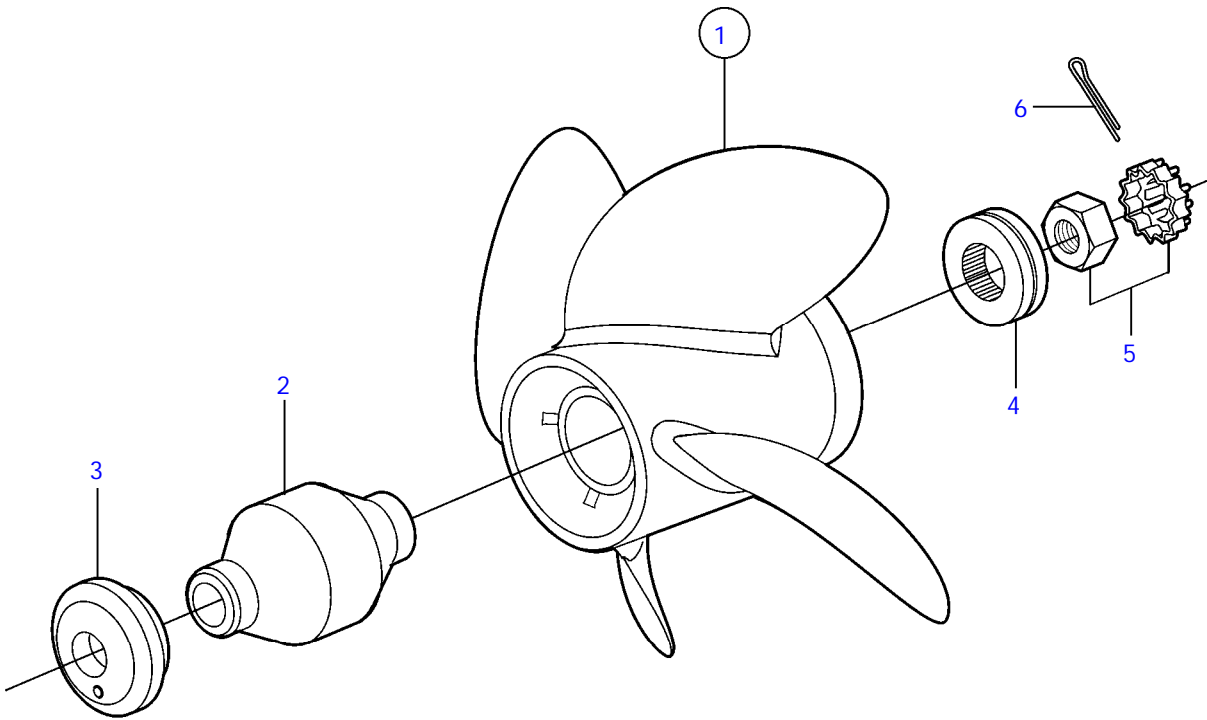


21270

SX-M1 1.43, SX-M1 1.51, SX-M1 1.60, SX-M1 1.66, SX-M1 1.79, SX-M1 1.89, SX-M1 1.97, SX-M1 2.18

REF	PART NO.	QTY	DESCRIPTION	NOTES
1	3817469	1	Propeller	RH, 14.25 X 21
	3817470	1	Propeller	RH, 14.25 X 23
	3817468	1	Propeller	RH, 14.5 X 19
	3817473	1	Propeller	LH, 14.5 X 19
	3817467	1	Propeller	RH, 15 X 17
	3817472	1	Propeller	LH, 15 X 17
	3855476	1	Propeller	LH, 15.5 X 12
	3840720	1	Propeller	RH 16X13
	3855477	1	Propeller	LH, 15.5 X 13
	3855478	1	Propeller	LH, 15.5 X 14
	3817466	1	Propeller	RH, 15.5 X 15
	3855479	1	Propeller	LH, 15.5 X 15
	3817471	1	Propeller	LH, 15 x 15
2	3862086	1	• Bushing	
3	3850831	1	• • Sleeve	
4	3852020	1	Bushing	
5	3852350	1	Spacer	
6	3850984	1	Propeller nut	
		1	• Nut	
		1	• Retainer	
7	3852056	1	Split pin	

SX-M1 1.43, SX-M1 1.51, SX-M1 1.60, SX-M1 1.66, SX-M1 1.79, SX-M1 1.89, SX-M1 1.97, SX-M1 2.18



19812

SX-M1 1.43, SX-M1 1.51, SX-M1 1.60, SX-M1 1.66, SX-M1 1.79, SX-M1 1.89, SX-M1 1.97, SX-M1 2.18

REF	PART NO.	QTY	DESCRIPTION	NOTES
1	3587524	1	Propeller	RH 14.0 X 21
	3587525	1	Propeller	LH 14 X 21
	3587526	1	Propeller	RH 14.0 X 23
	3587522	1	Propeller	RH 14.25 X 19
	3587523	1	Propeller	LH 14.25 X 19
	3587520	1	Propeller	RH 14.5 X 17
	3587521	1	Propeller	LH 14.5 X 17
	3587517	1	Propeller	RH 14.75 X 15
	3587519	1	Propeller	LH 14.75 X 15
2	3587601	1	• Propeller bushing	
3	3852020	1	Bushing	
4	3852350	1	Spacer	
5	3850984	1	Propeller nut	
		1	• Nut	
		1	• Retainer	
6	3852056	1	Split pin	

SX-M1 1.43, SX-M1 1.51, SX-M1 1.60, SX-M1 1.66, SX-M1 1.79, SX-M1 1.89, SX-M1 1.97, SX-M1 2.18

REF	PART NO.	QTY	DESCRIPTION	NOTES
1	3850594	1	Kit	Upper Gear Housing
	853868	1	• Sealing ring	
	925093	1	• O-ring	
	967344	1	• O-ring	
	967344	1	• O-ring	
	3852045	1	• O-ring	
	3852052	3	• Split pin	
	3852105	1	• Washer	
	3852272	1	• Sealing	
	3852279	1	• Gasket	
	3852315	1	• Sealing	
	3852317	1	• Gasket	
	3852560	1	• Sealing	
	3852565	2	• O-ring	
	3855081	1	• O-ring	
2	3855275	1	Kit	Lower Gear Unit
	3852315	1	• Sealing	
	3852865	1	• O-ring	
	3852866	1	• O-ring	
	3852959	1	• O-ring	
	3854595	1	• Sealing	
	3855081	1	• O-ring	
	3863090	1	• Sealing	

--

DESCRIPTION	SEE SEC.	NOTES
Maintenance Parts, SX-M, DP-SM	36060	SX-M1



DESCRIPTION	SEE SEC.	NOTES
Drive Unit, complete	9463	SX-M1 1.43, SX-M1 1.51, SX-M1 1.60, SX-M1 1.66, SX-M1 1.79, SX-M1 1.89, SX-M1 1.97, SX-M1 2.18
Upper Gearhousing	8905	SX-M1 1.79, SX-M1 1.89, SX-M1 1.97, SX-M1 2.18
Upper Gearhousing	8906	SX-M1 1.43, SX-M1 1.51, SX-M1 1.60, SX-M1 1.66
Bearing Carrier and U-joint, GKN	6229	SX-M1 1.79, SX-M1 1.89, SX-M1 1.97, SX-M1 2.18
Bearing Carrier and U-joint, GKN	7928	SX-M1 1.43, SX-M1 1.51, SX-M1 1.60, SX-M1 1.66
Upper Vertical Shaft	6230	SX-M1 1.79, SX-M1 1.89, SX-M1 1.97, SX-M1 2.18
Upper Vertical Shaft	7931	SX-M1 1.43, SX-M1 1.51, SX-M1 1.60, SX-M1 1.66
Lower Gearhousing	8907	SX-M1 1.43, SX-M1 1.51, SX-M1 1.60, SX-M1 1.66, SX-M1 1.79, SX-M1 1.89, SX-M1 1.97, SX-M1 2.18
Lower Vertical Shaft	6243	SX-M1 1.43, SX-M1 1.51, SX-M1 1.60, SX-M1 1.66, SX-M1 1.79, SX-M1 1.89, SX-M1 1.97, SX-M1 2.18
Propeller Shaft and Bearing Housing	8918	SX-M1 1.43, SX-M1 1.51, SX-M1 1.60, SX-M1 1.66, SX-M1 1.79, SX-M1 1.89, SX-M1 1.97, SX-M1 2.18
Shift Mechanism	6255	SX-M1 1.43, SX-M1 1.51, SX-M1 1.60, SX-M1 1.66, SX-M1 1.79, SX-M1 1.89, SX-M1 1.97, SX-M1 2.18
Extension Kit 1"	6246	SX-M1 1.43, SX-M1 1.51, SX-M1 1.60, SX-M1 1.66, SX-M1 1.79, SX-M1 1.89, SX-M1 1.97, SX-M1 2.18
Propeller, Stainless Steel	7934	SX-M1 1.43, SX-M1 1.51, SX-M1 1.60, SX-M1 1.66, SX-M1 1.79, SX-M1 1.89, SX-M1 1.97, SX-M1 2.18
Propeller, 3 Blade Aluminum	6247	SX-M1 1.43, SX-M1 1.51, SX-M1 1.60, SX-M1 1.66, SX-M1 1.79, SX-M1 1.89, SX-M1 1.97, SX-M1 2.18
Propeller, 4 Blade Aluminum	6477	SX-M1 1.43, SX-M1 1.51, SX-M1 1.60, SX-M1 1.66, SX-M1 1.79, SX-M1 1.89, SX-M1 1.97, SX-M1 2.18

--

DESCRIPTION	SEE SEC.	NOTES
Repair Kits	8971	SX-M1 1.43, SX-M1 1.51, SX-M1 1.60, SX-M1 1.66, SX-M1 1.79, SX-M1 1.89, SX-M1 1.97, SX-M1 2.18

